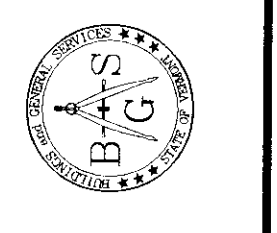


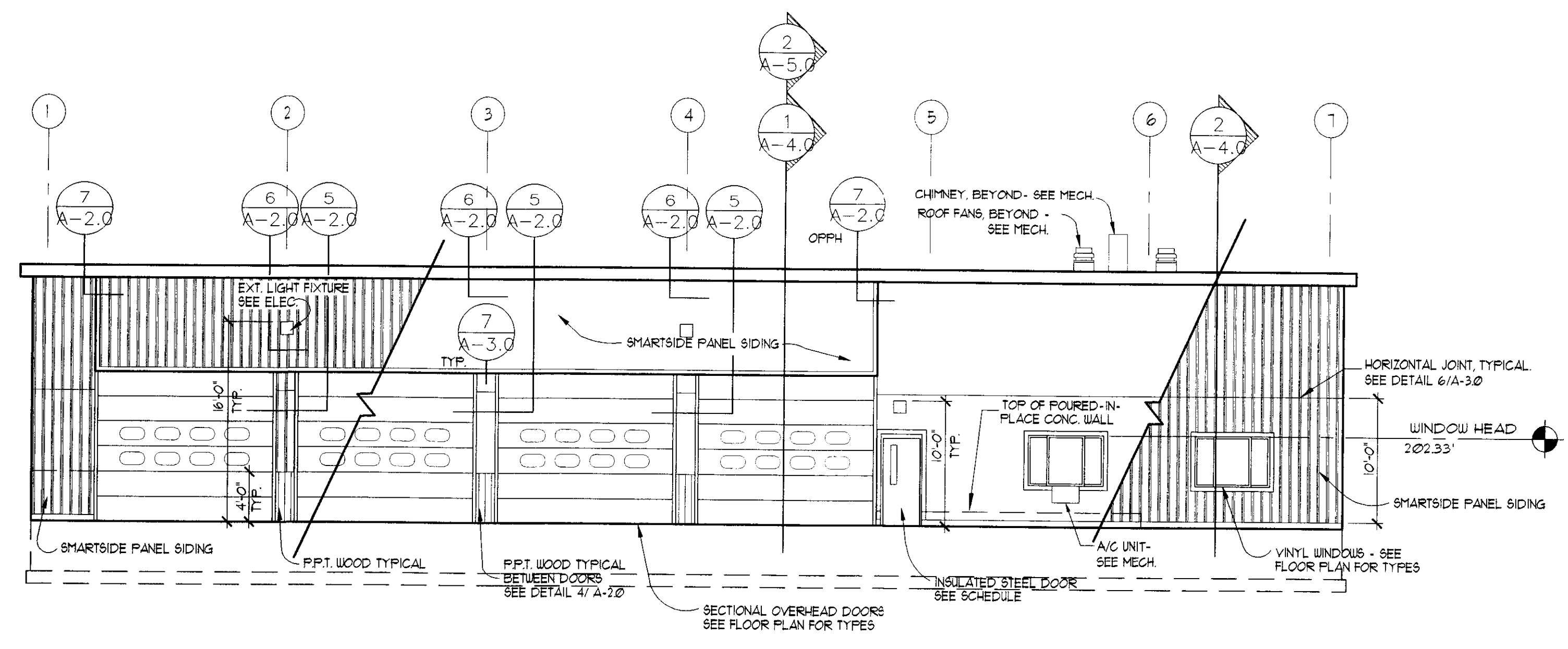
D&W
 DOBE AND HITTLER, INC.
 Architects • Project Managers



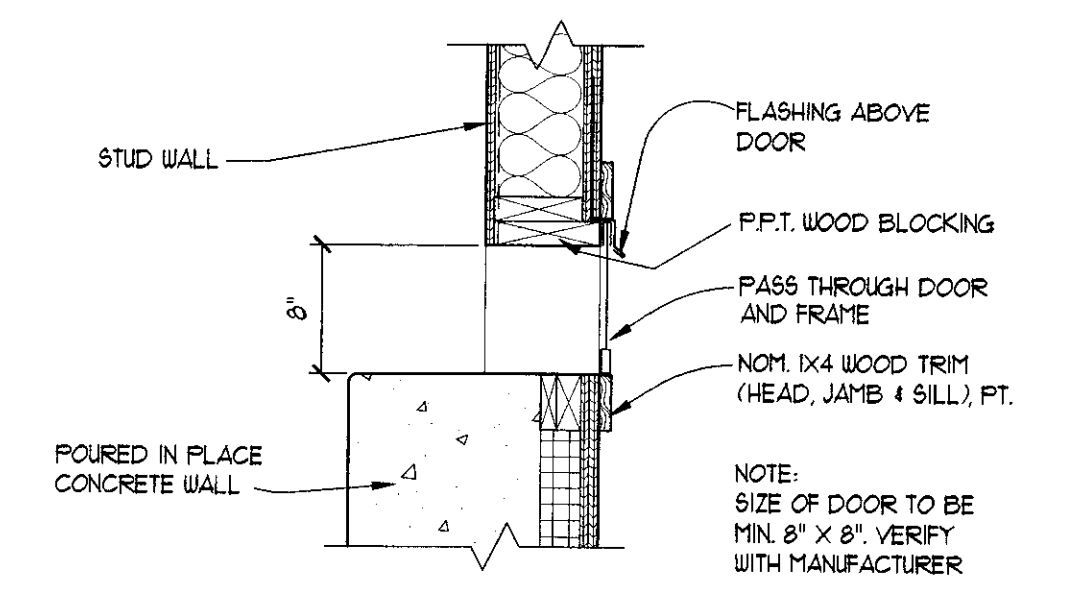
STATE OF VERMONT
 DEPARTMENT OF BUILDINGS
 AND GENERAL SERVICES
 AGENCY OF ADMINISTRATION
 MONTPELIER, VERMONT



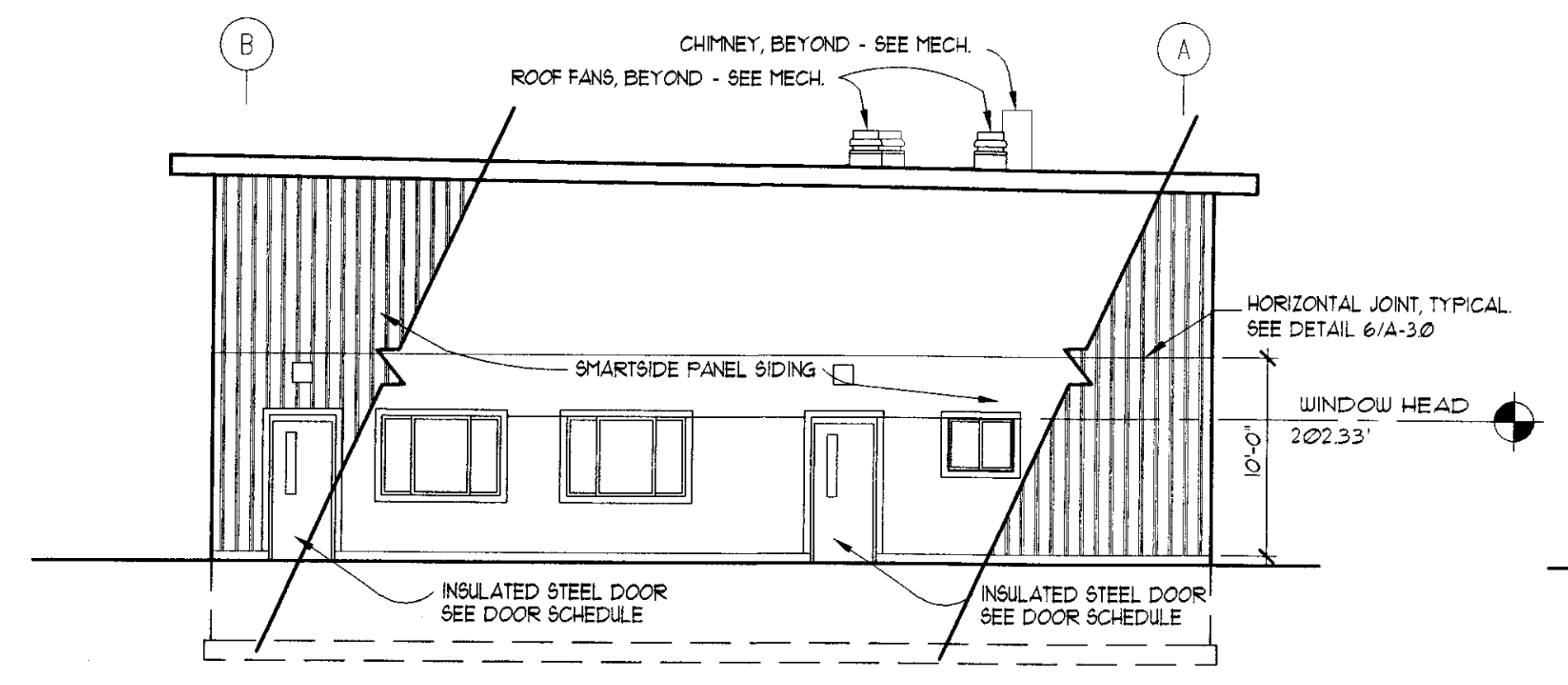
AGENCY OF TRANSPORTATION
 N. FERRISBURGH MAINTENANCE FACILITY
 NORTH FERRISBURGH VERMONT



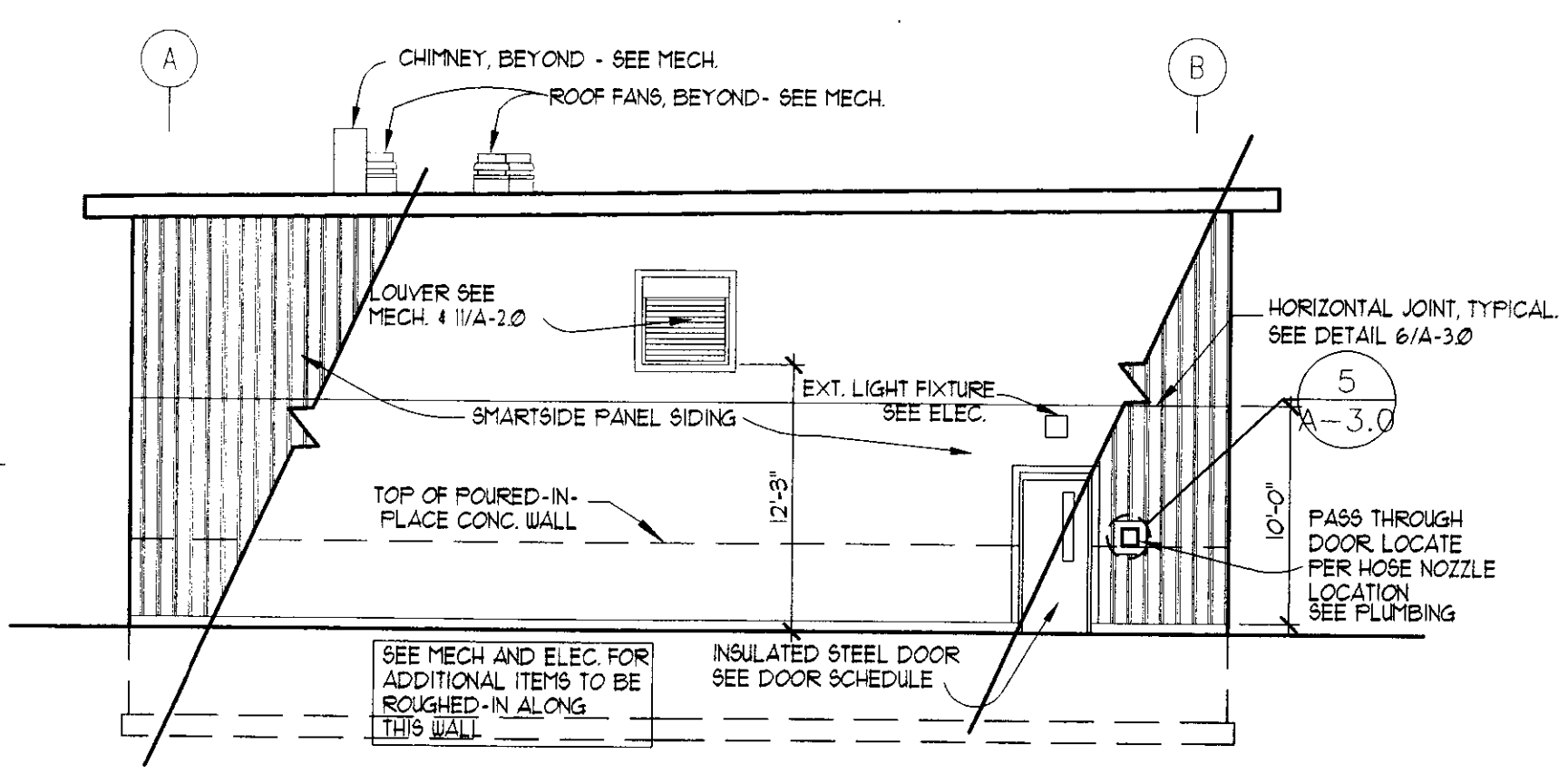
1 FRONT ELEVATION
 1/8" = 1'-0"



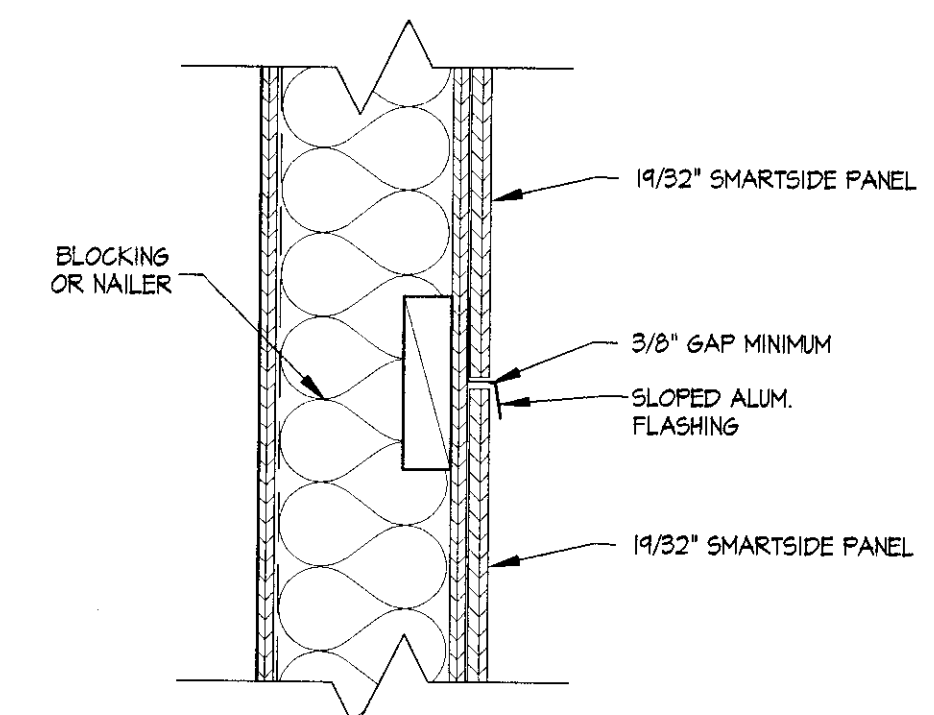
5 PASS THRU DOOR SECT.
 1" = 1'-0"



2 SIDE ELEVATION
 1/8" = 1'-0"

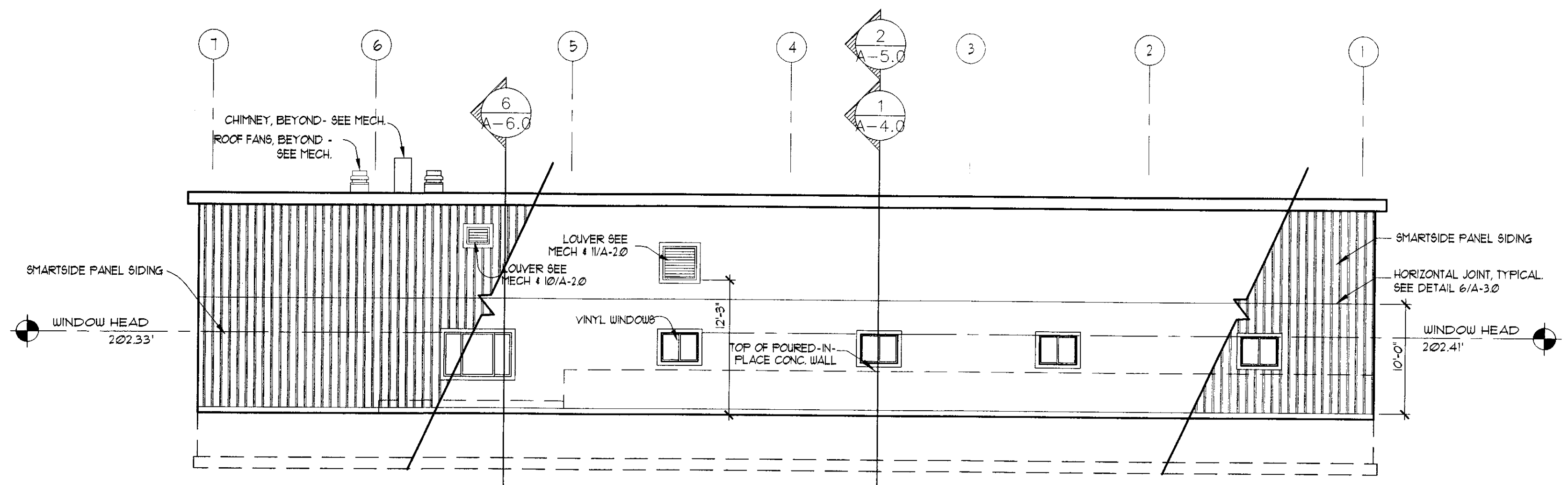


3 SIDE ELEVATION
 1/8" = 1'-0"

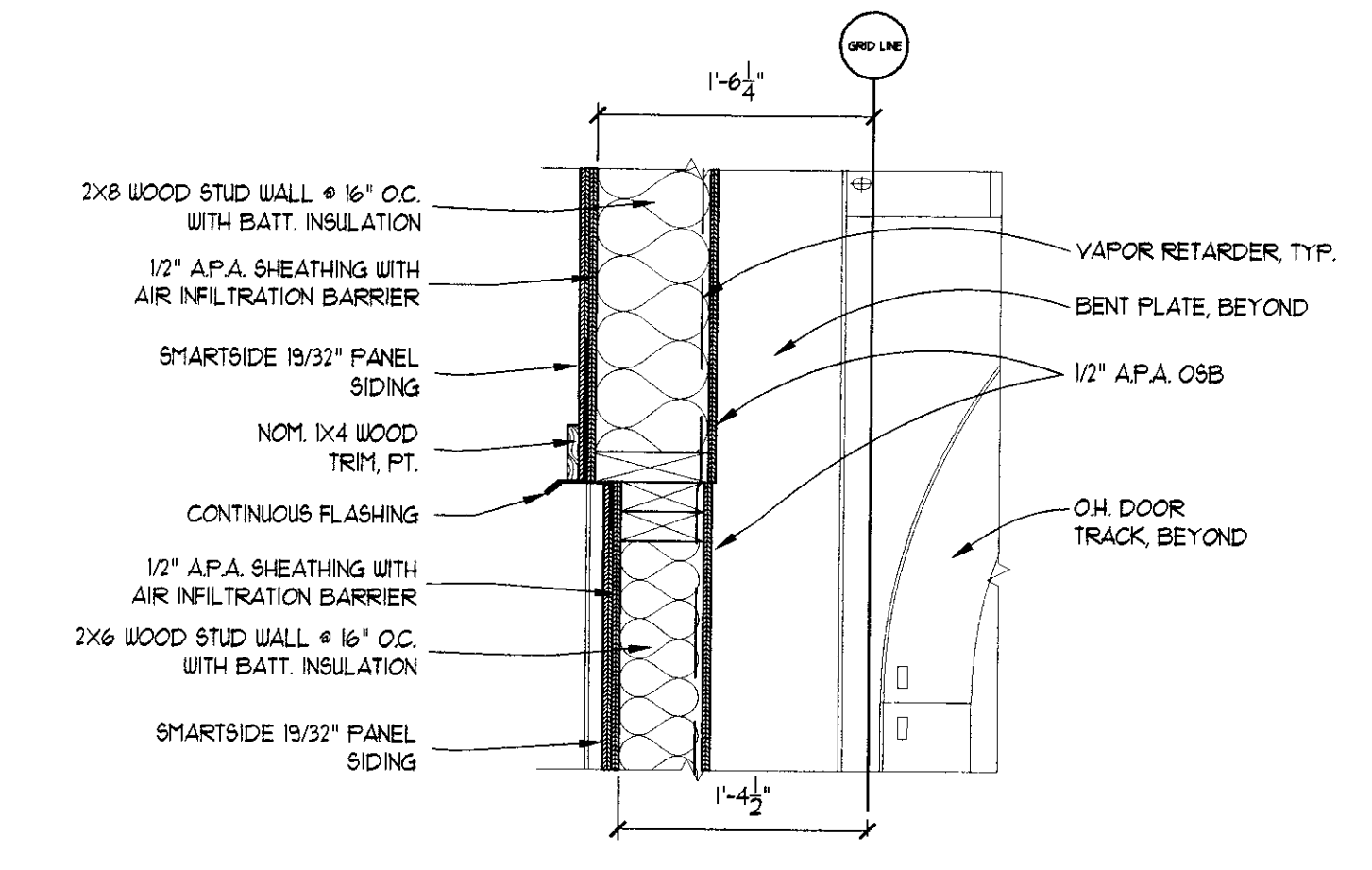


6 HORIZONTAL JOINT DETAIL
 NT5

NOTES:
 LOUVERS AND VENTS BY HV CONTRACTOR INSTALLATION AND FLASHING BY G.C.



4 REAR ELEVATION
 1/8" = 1'-0"



7 WALL TRANSITION BETWEEN O.H. DOORS
 1" = 1'-0"

REVISIONS	SCALE: AS NOTED
DATE: 1/4/06	DATE: 1/4/06
DRAWN BY: VTH	DRAWN BY: VTH
APPR. BY: AFB	APPR. BY: AFB

F:\AOT\North Ferrisburgh\REVISED AOT 12-22-05\Drawings\Working Drawings\Sheet Drawings\A42-a-3.0.dwg, Layout1, 01/17/2006 02:35:24 PM, memo, Oca 9800 36-length.pcl