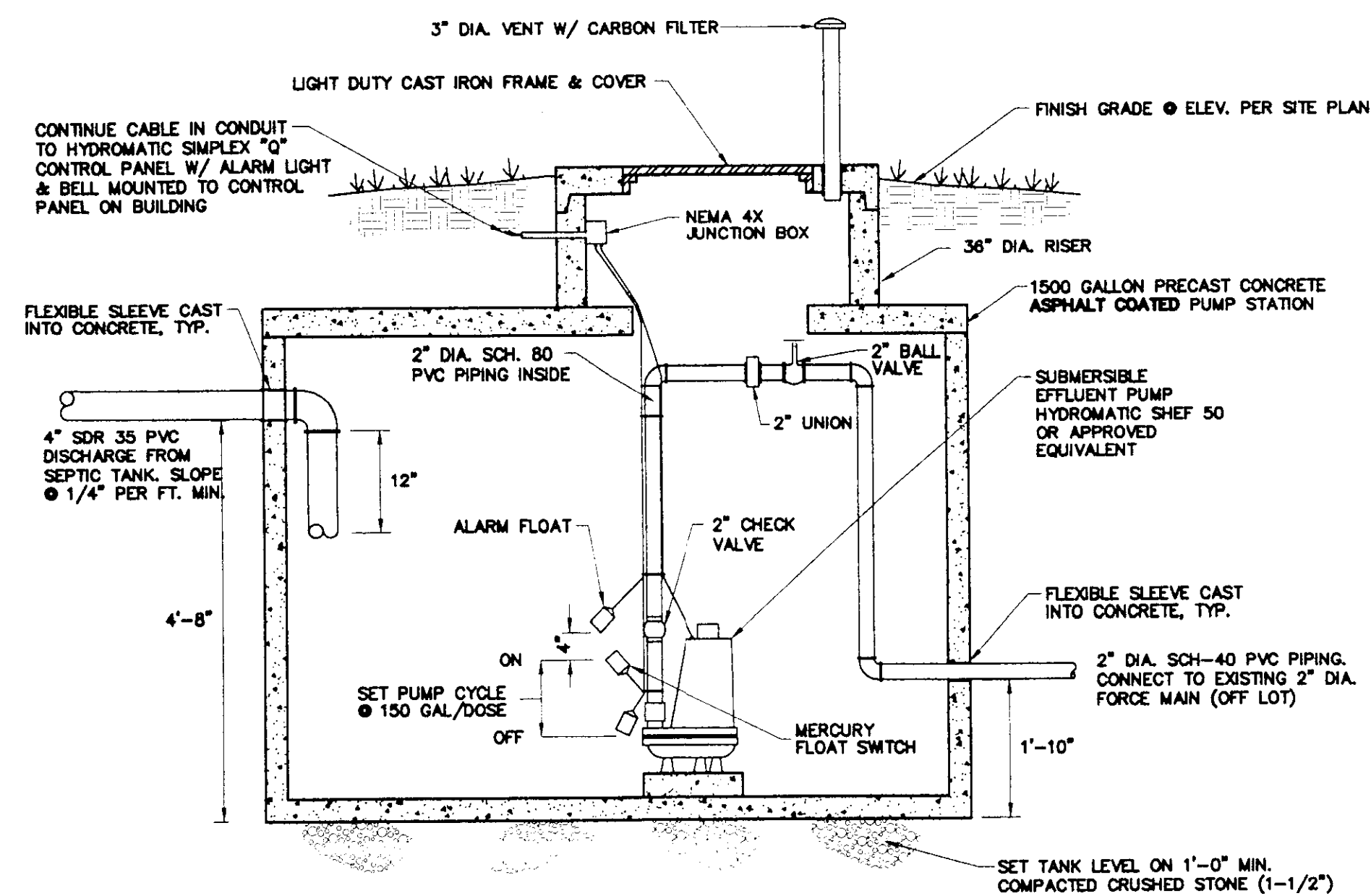
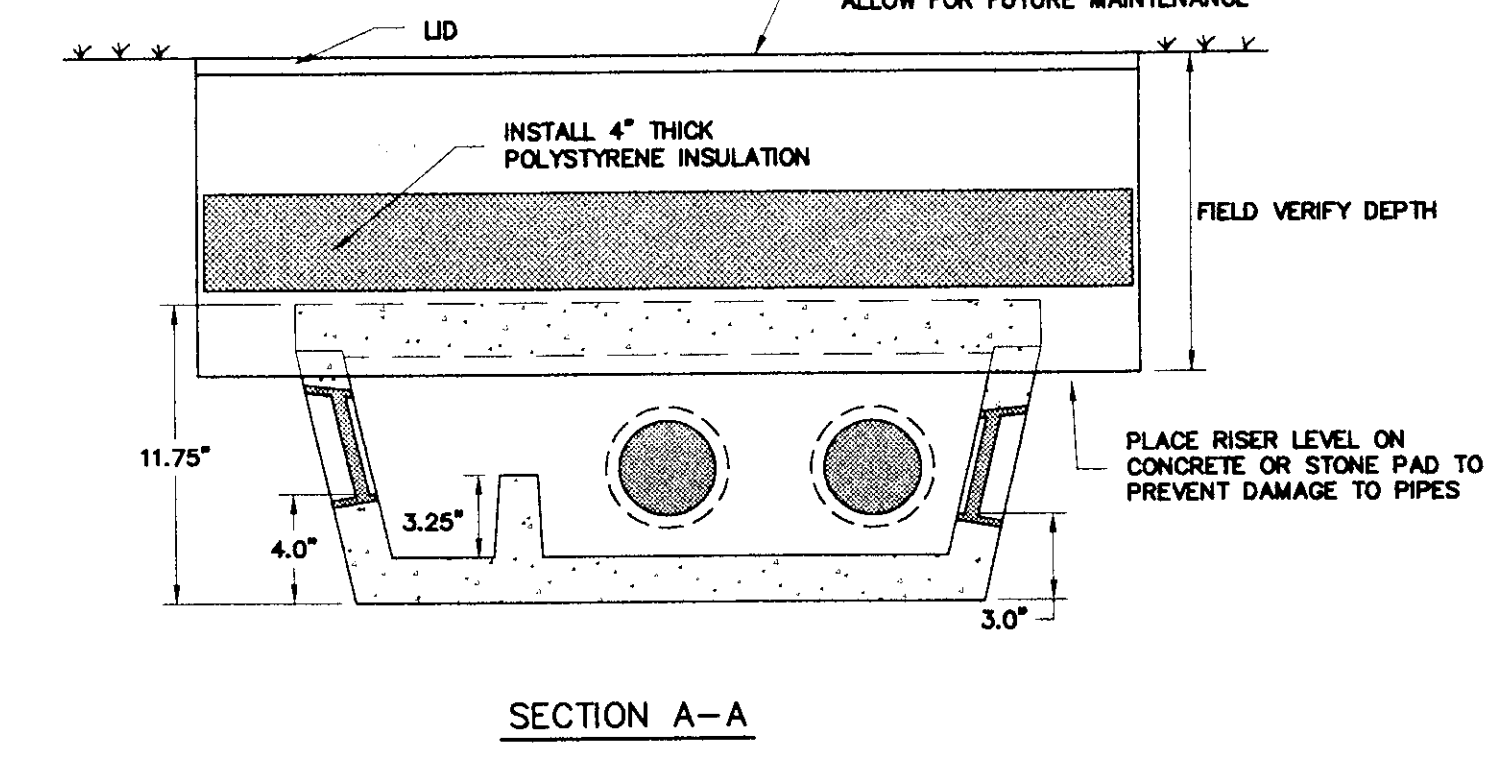
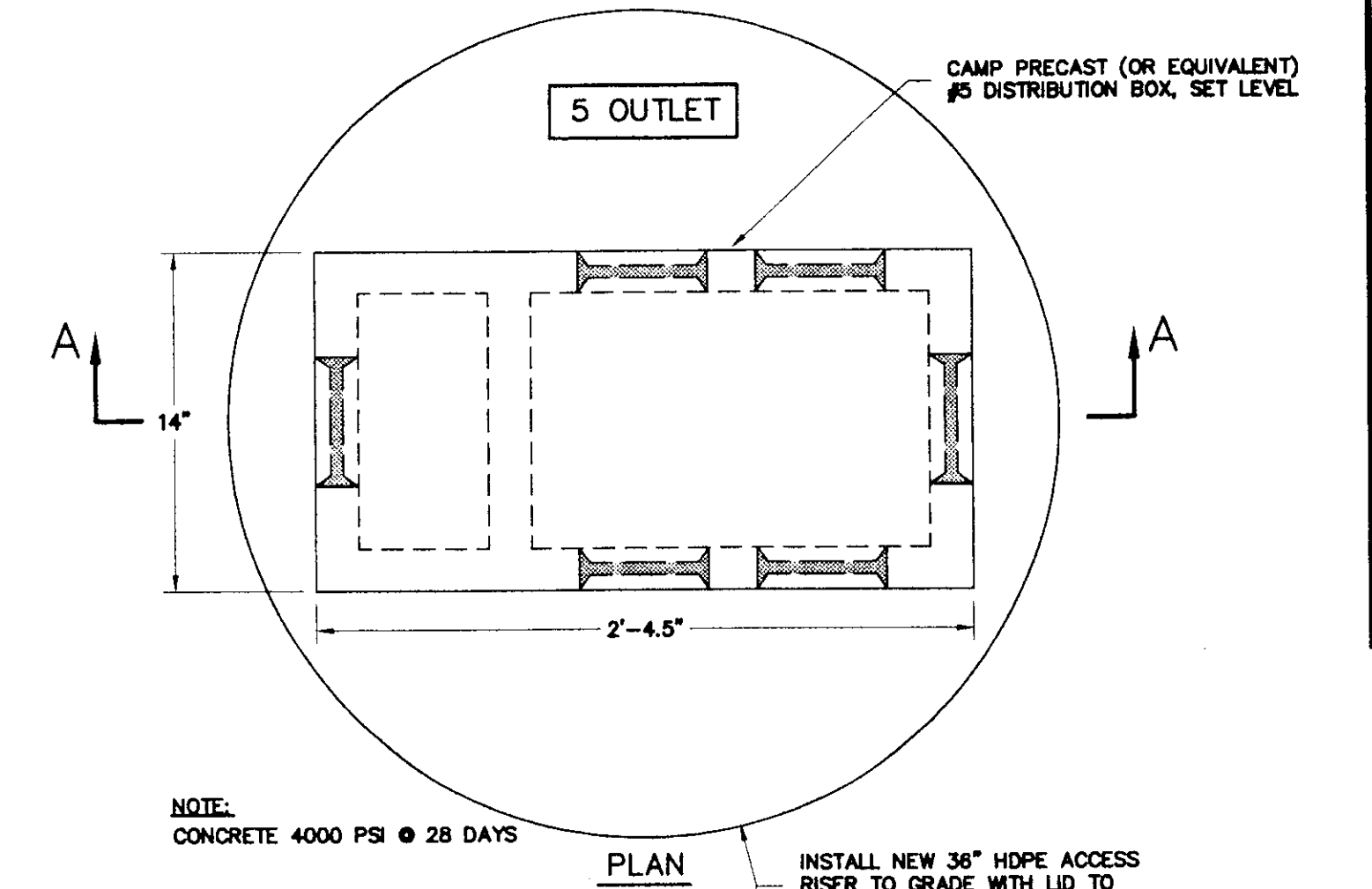


1 TYPICAL 1500 GALLON SEPTIC TANK WITH OUTLET FILTER
N.T.S.

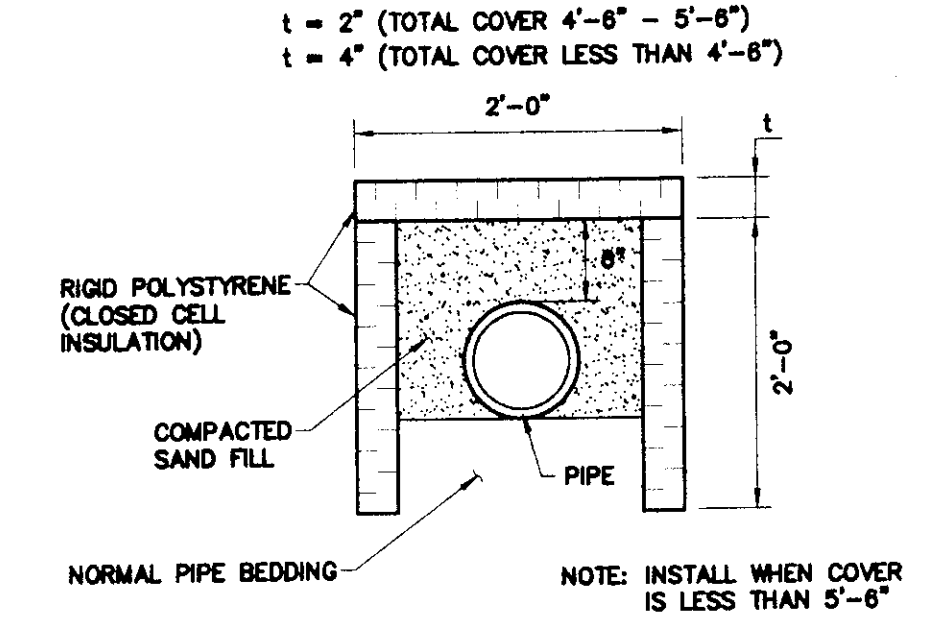


2 1500 GALLON PUMP STATION DETAIL
N.T.S.

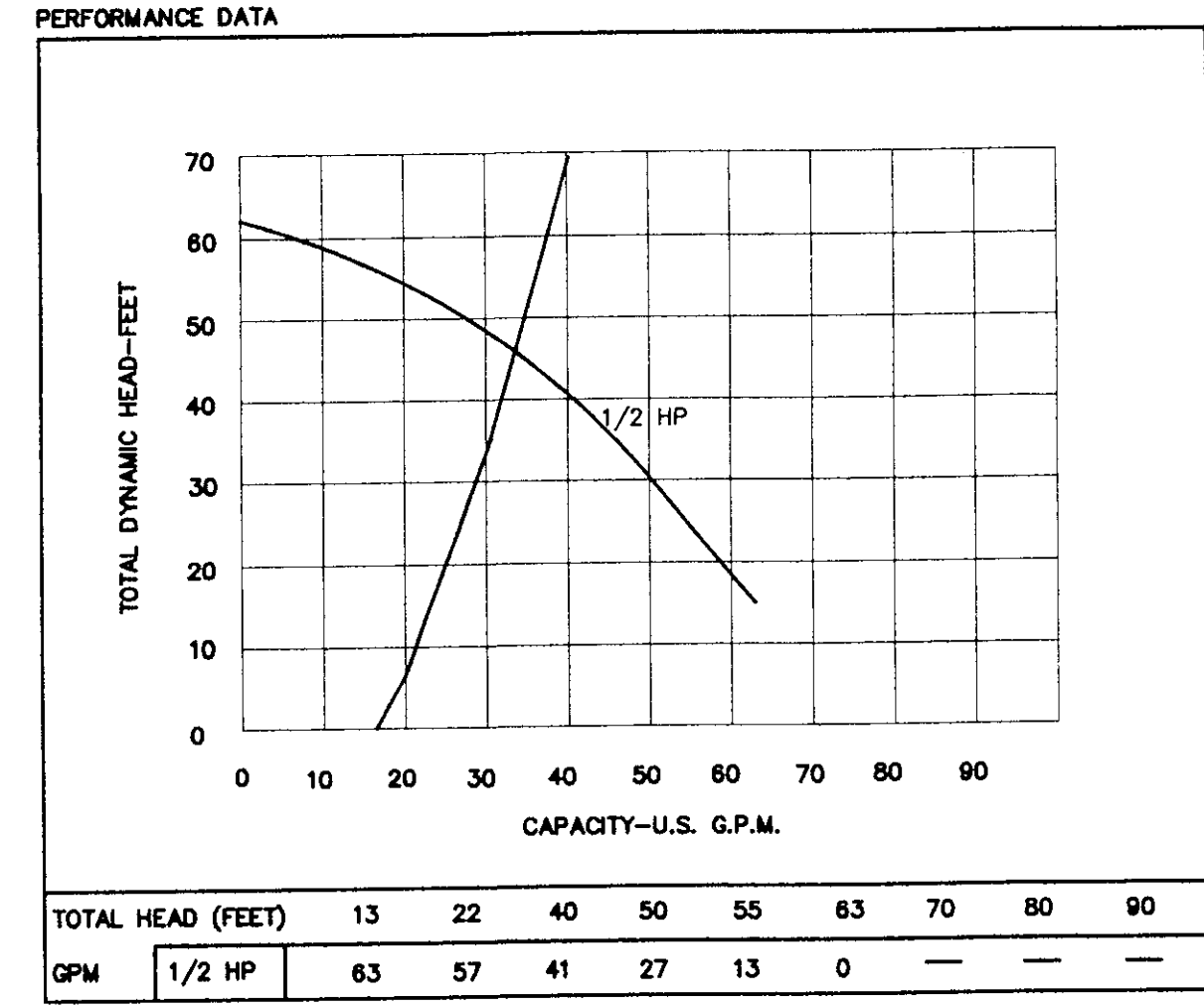
THE WASTEWATER PUMP SPECIFICATION IS BASED ON THE ASSUMED PARAMETERS OF A PARTIALLY COMPLETED WASTEWATER DISPOSAL SYSTEM DESIGNED BY JOHN STUART, P.E. THE CONDITION OF THE EXISTING PARTIAL SYSTEM IS UNKNOWN. VARIABLES MAY BE PRESENT THAT WOULD REQUIRE ALTERNATE PUMP SELECTION. THEREFORE THE PUMP SPECIFIED SHALL BE TESTED FOR A MINIMUM FLOW RATE OF 20 GPM. CONDITIONS MAY PROVE THIS DOES NOT MEET THE PERFORMANCE STANDARD AND AN ALTERNATE PUMP SELECTION MAY BE REQUIRED.



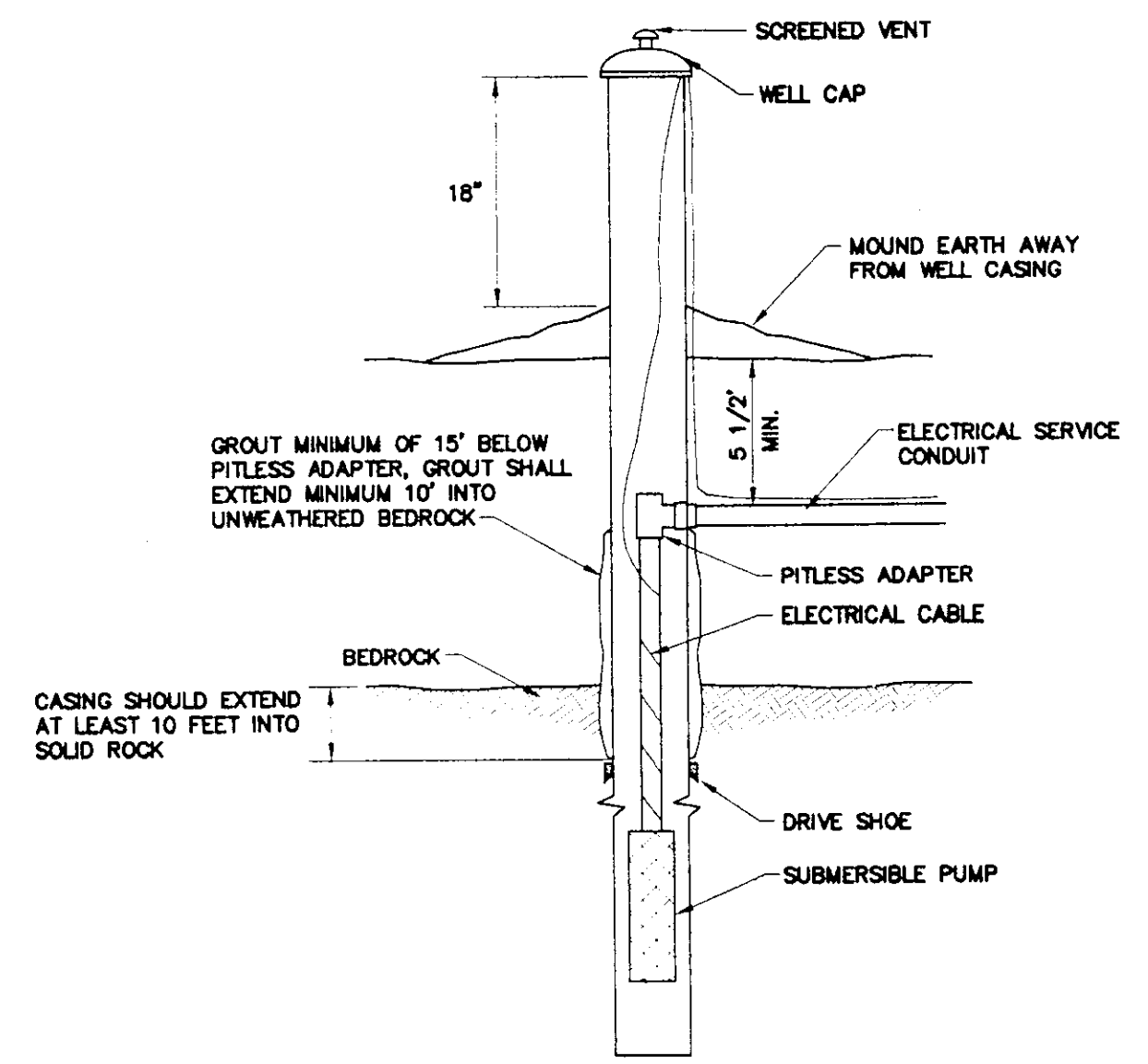
3 PRECAST CONCRETE DISTRIBUTION BOX DETAIL
N.T.S.



4 TYPICAL PIPING INSULATION DETAIL
N.T.S.

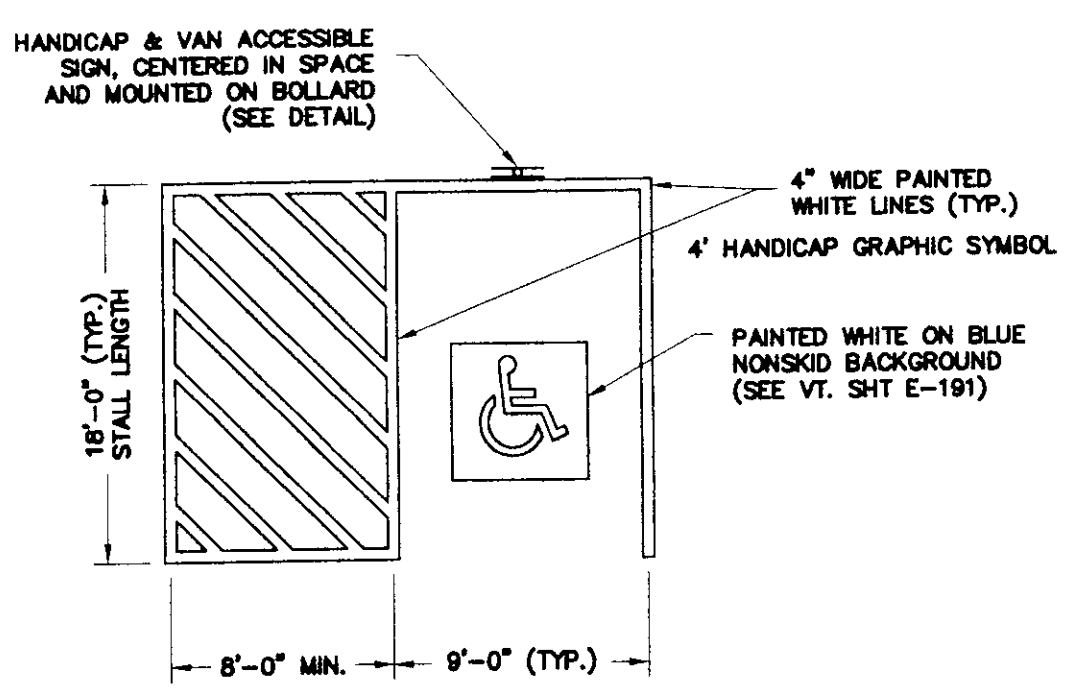


5 PUMP SPECIFICATIONS - HYDRAMATIC SHEF50
N.T.S.

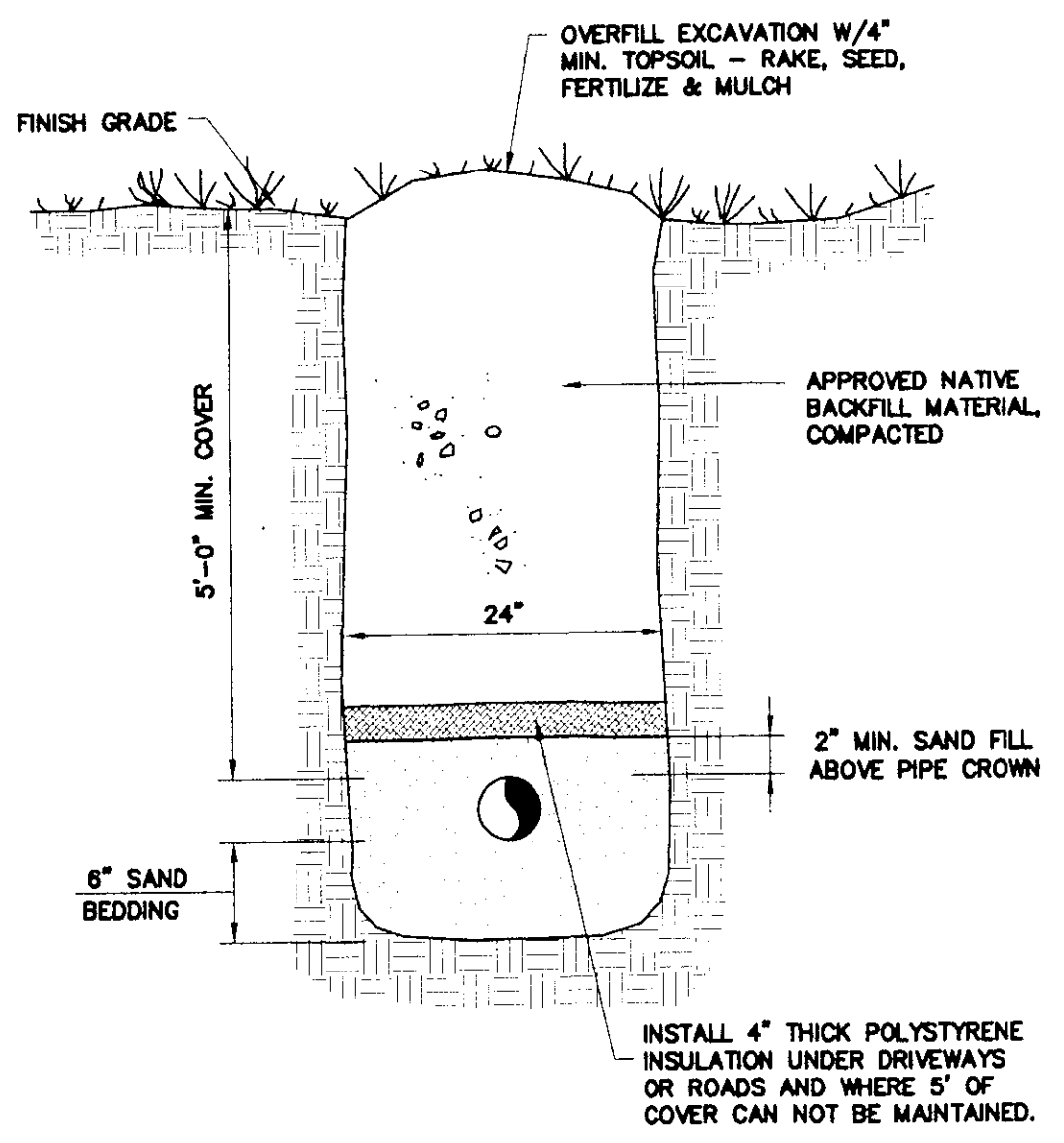


6 TYPICAL DRILLED WELL
N.T.S.

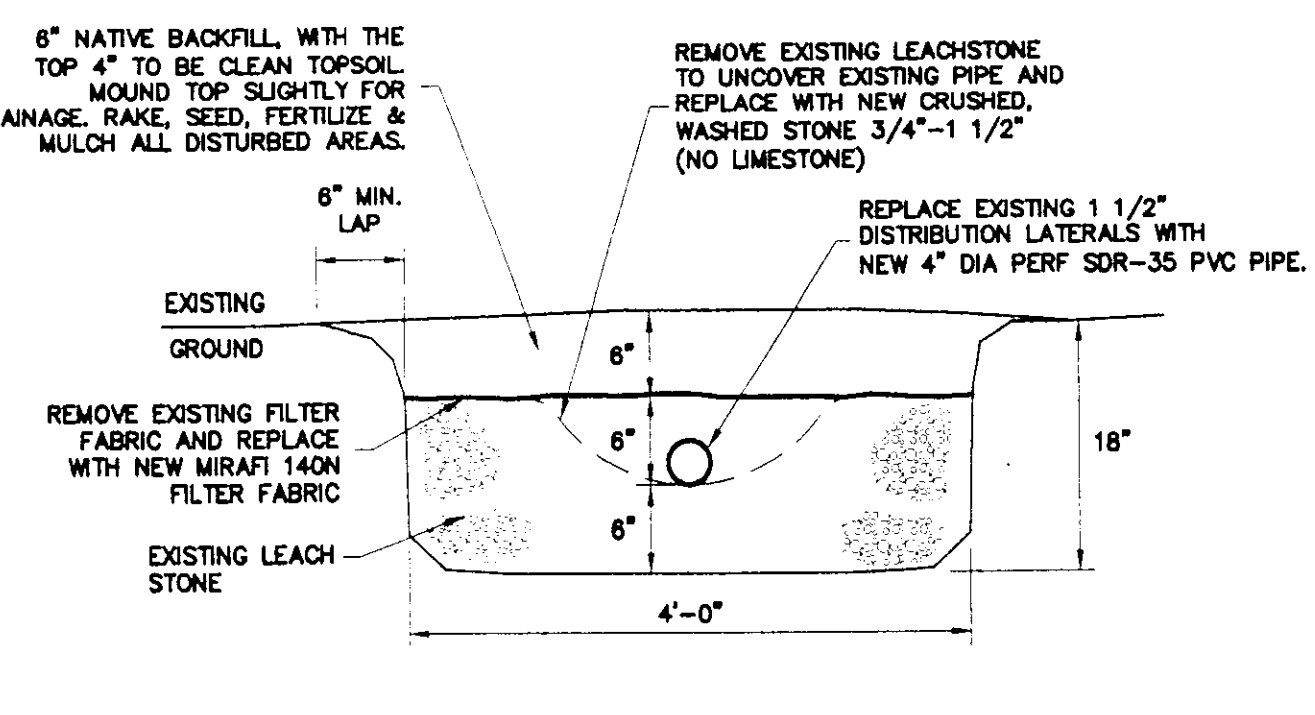
IF A WATER SAMPLE INDICATES THE PRESENCE OF BACTERIA, THE WELL SHOULD BE THOROUGHLY CHECKED FOR PROPER CONSTRUCTION (SEE DIAGRAM). IN ADDITION, THE SURROUNDING AREA SHOULD BE CHECKED FOR LIKELY CONTAMINATION SOURCES. OCCASIONALLY, THE LABORATORY MICROBIOLOGIST IS UNABLE TO DETERMINE THE PRESENCE OF COLIFORM DUE TO THE CULTURE PLATE BEING OVERTGROWN WITH OTHER BACTERIA. BECAUSE OF THE ABUNDANCE OF THESE OTHER BACTERIA, THE SAMPLE IS CONSIDERED CONTAMINATED. DO NOT DRINK WATER FOUND TO BE CONTAMINATED WITH BACTERIA UNTIL CORRECTIONS ARE MADE TO THE WELL. THE SYSTEM IS DISINFECTED AND A FOLLOW-UP SAMPLE SHOWS NO COLIFORM ORGANISMS PRESENT, OR UNLESS THE WATER IS BOILED FOR FIVE MINUTES.



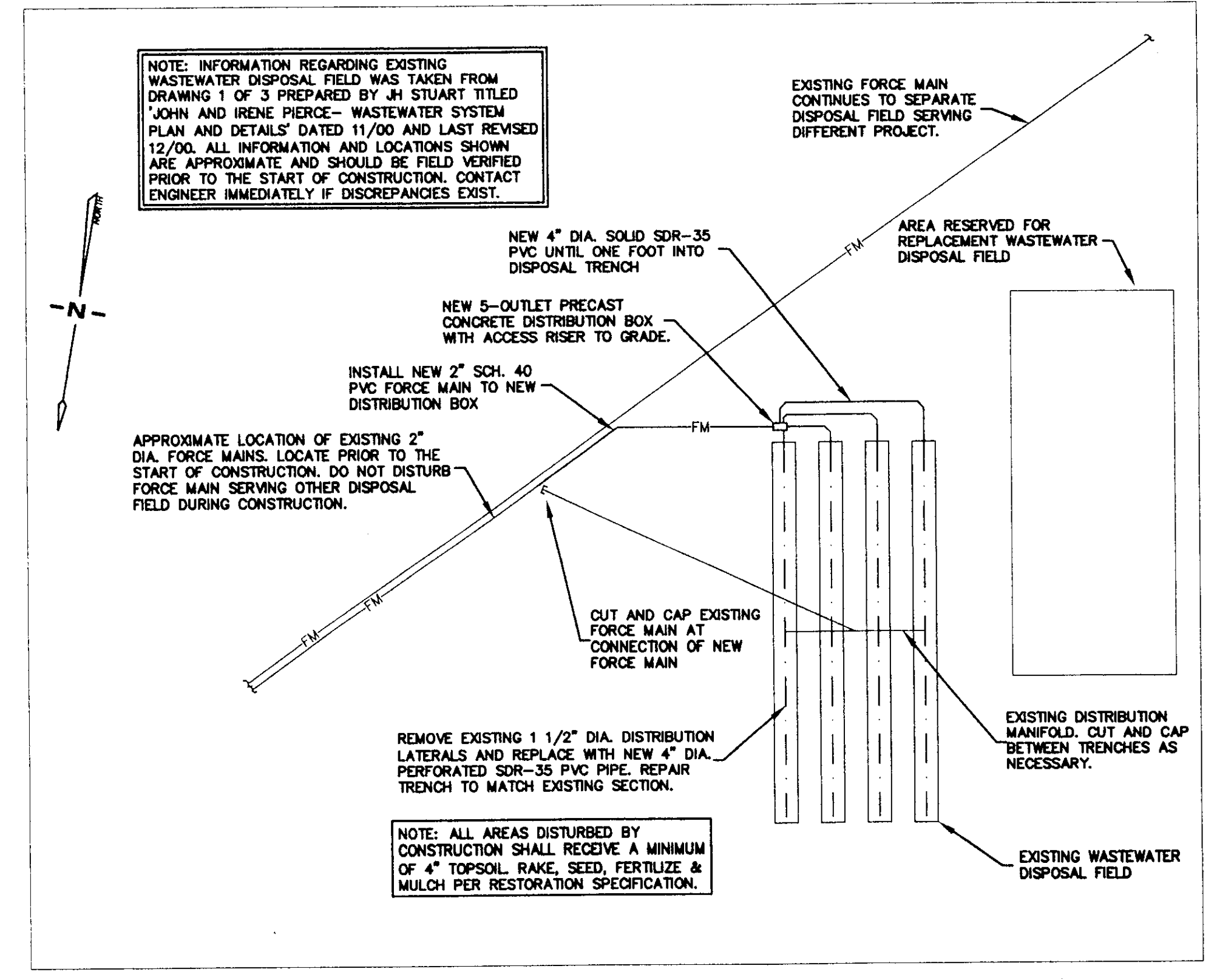
7 ACCESSIBLE SPACE PAVEMENT MARKING
N.T.S.



8 FORCE MAIN TRENCH DETAIL
N.T.S.



9 TYPICAL DISPOSAL TRENCH REPAIR DETAIL
N.T.S.



10 EXISTING WASTEWATER DISPOSAL PLAN
SCALE: 1" = 20'

Champlain Consulting ENGINEERS
150 HANCOCK STREET
S. BURLINGTON, VT 05403
PHONE: (802) 863-8900
FAX: (802) 884-1878

D&W ENGINEERS
140 HANCOCK STREET
S. BURLINGTON, VT 05403
PHONE: (802) 863-1428
FAX: (802) 863-9555

STATE OF VERMONT
PAUL BUCHHEM, P.E.
No. 3567
REGISTERED PROFESSIONAL ENGINEER

STATE OF VERMONT
DEPARTMENT OF BUILDINGS AND GENERAL SERVICES
AGENCY OF ADMINISTRATION
MONTPELIER, VERMONT

AGENCY OF TRANSPORTATION
N. FERRISBURGH MAINTENANCE FACILITY
NORTH FERRISBURGH, VERMONT

REVISIONS
SCALE: AS NOTED
DATE: 01/04/06
DRAWN BY: CCE
APPR. BY: PD

FERRISBURGH
MAINTENANCE GARAGE
DETAILS

C-7
11 OF 43