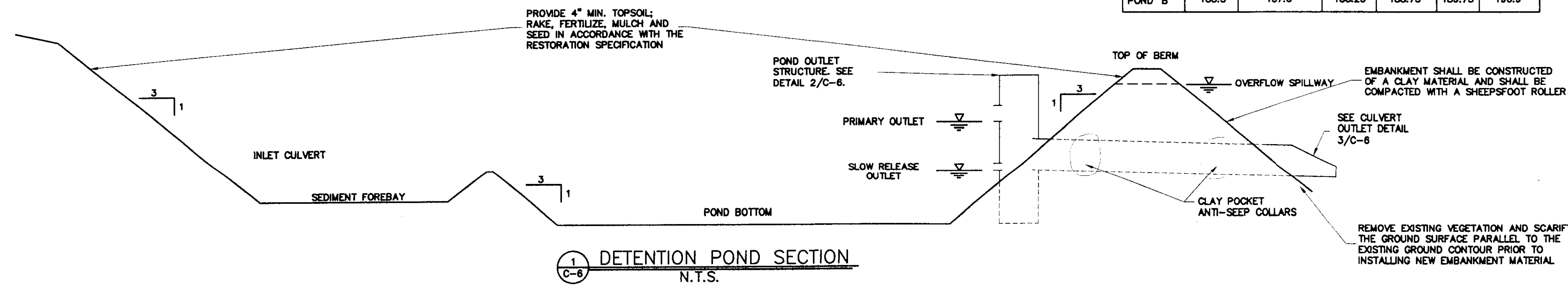
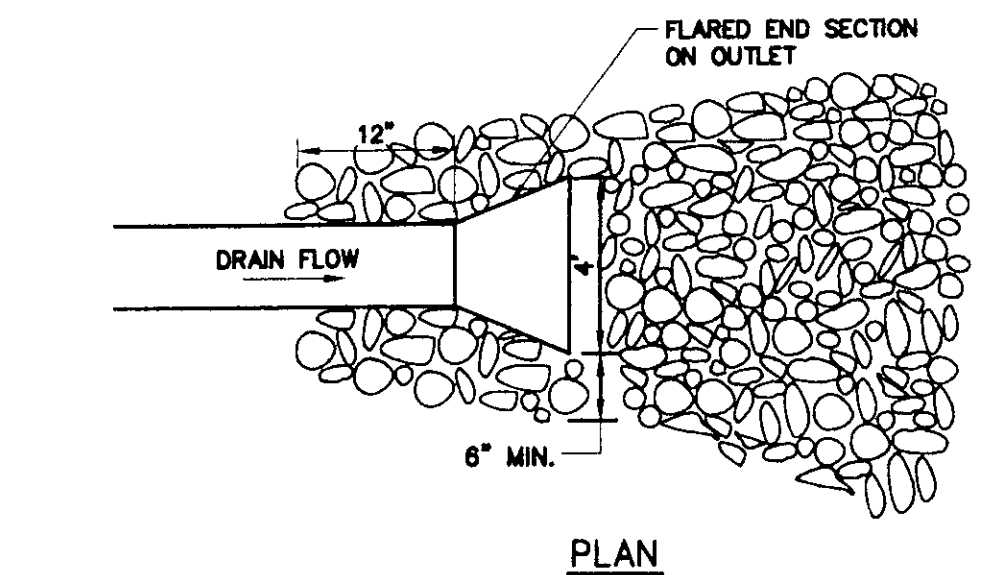


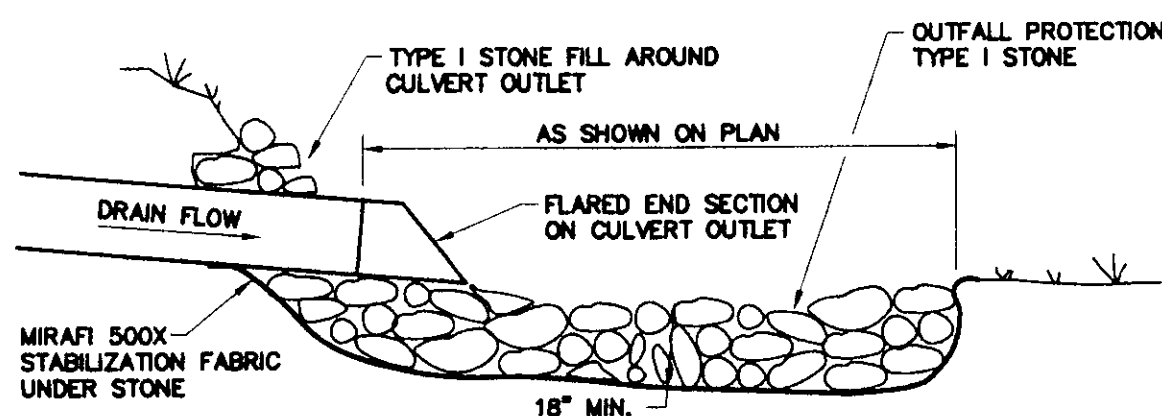
| | POND BOTTOM | SLOW RELEASE OUTLET | PRIMARY OUTLET | OVERFLOW SPILLWAY | TOP BERM | STRUCTURE COVER |
|----------|-------------|---------------------|----------------|-------------------|----------|-----------------|
| POND 'A' | 188.0 | 190.0 | 191.5 | 191.95 | 193.0 | 193.9 |
| POND 'B' | 185.5 | 187.0 | 188.25 | 188.75 | 189.75 | 190.9 |



1 DETENTION POND SECTION
N.T.S.

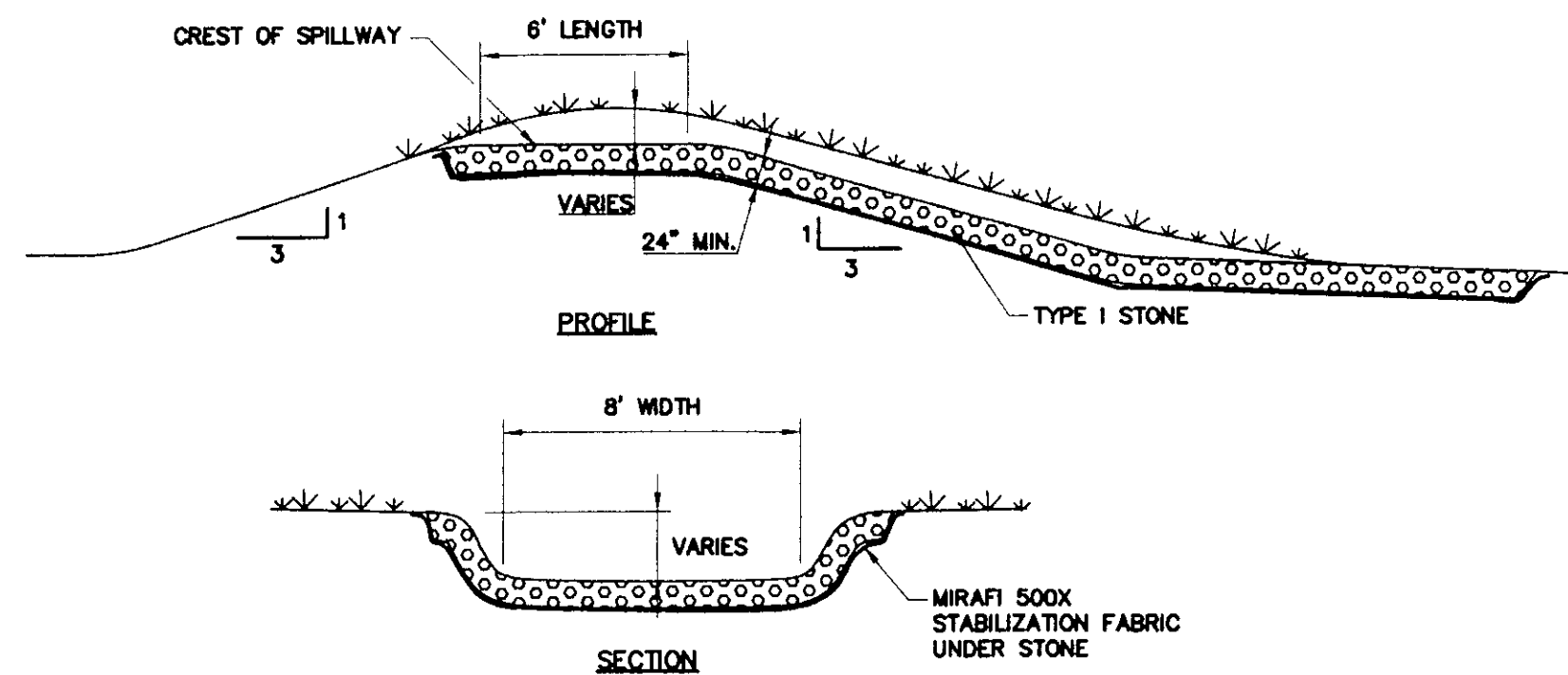


PLAN

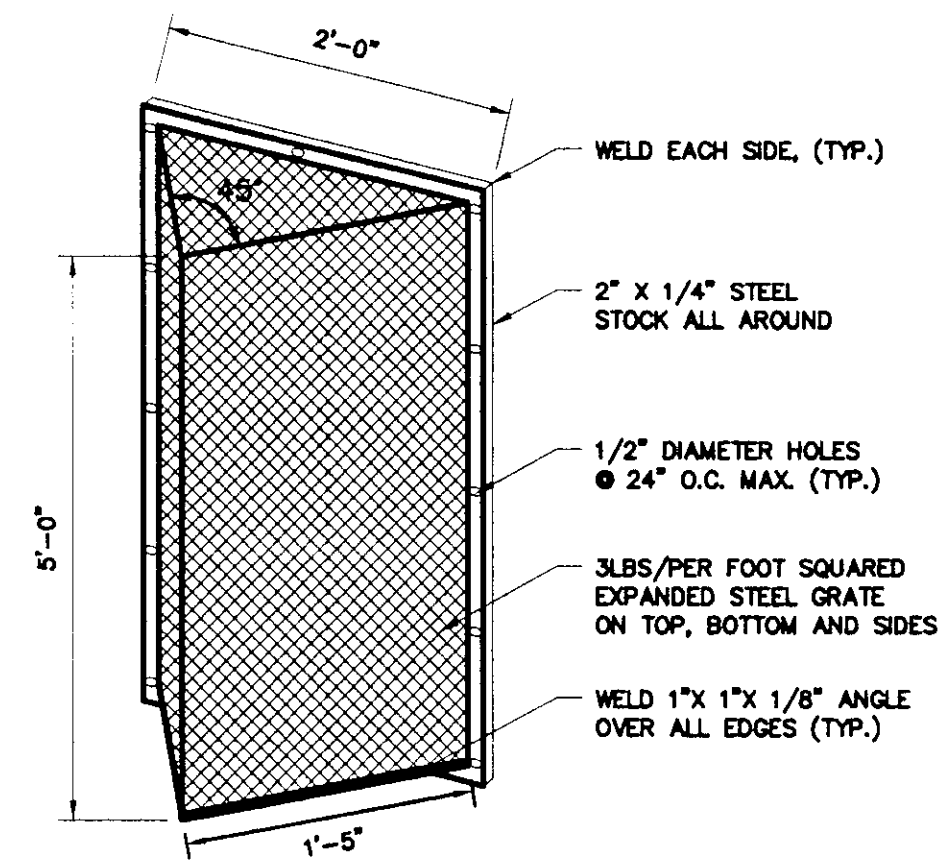


PROFILE

3 CULVERT OUTLET DETAIL
N.T.S.



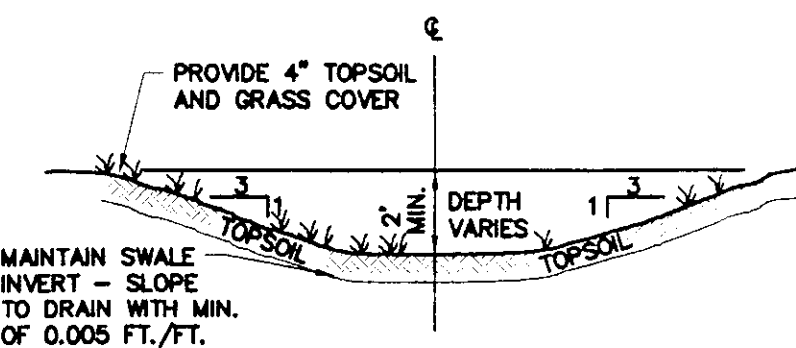
4 OVERFLOW SPILLWAY
N.T.S.



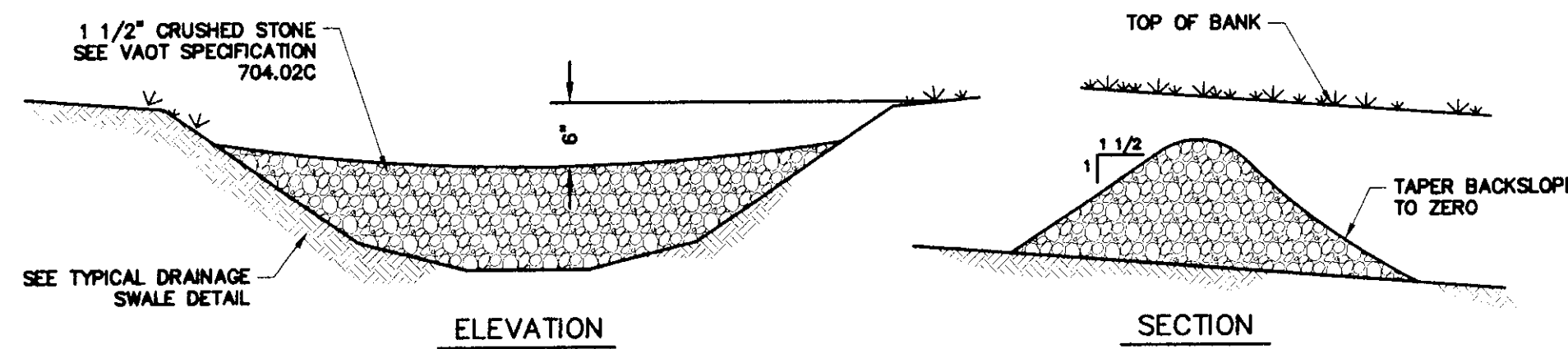
NOTES FOR TRASH RACK

1. TRASH RACK TO BE CENTERED OVER OPENING.
2. STEEL TO CONFORM TO ASTM A-36.
3. ALL SURFACES TO BE COATED WITH COLD GALVANIZING COMPOUND AFTER WELDING.
4. TRASH RACK TO BE FASTENED TO THE WALL WITH 1/2" MASONRY ANCHORS. TRASH RACK TO BE REMOVABLE.

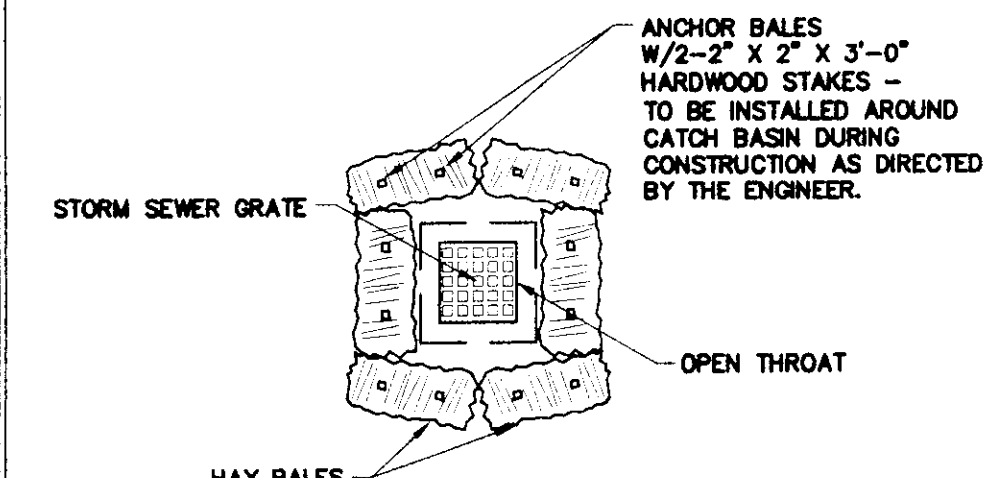
6 TRASH RACK PROTECTION
N.T.S.



5 TYPICAL DRAINAGE SWALE
N.T.S.

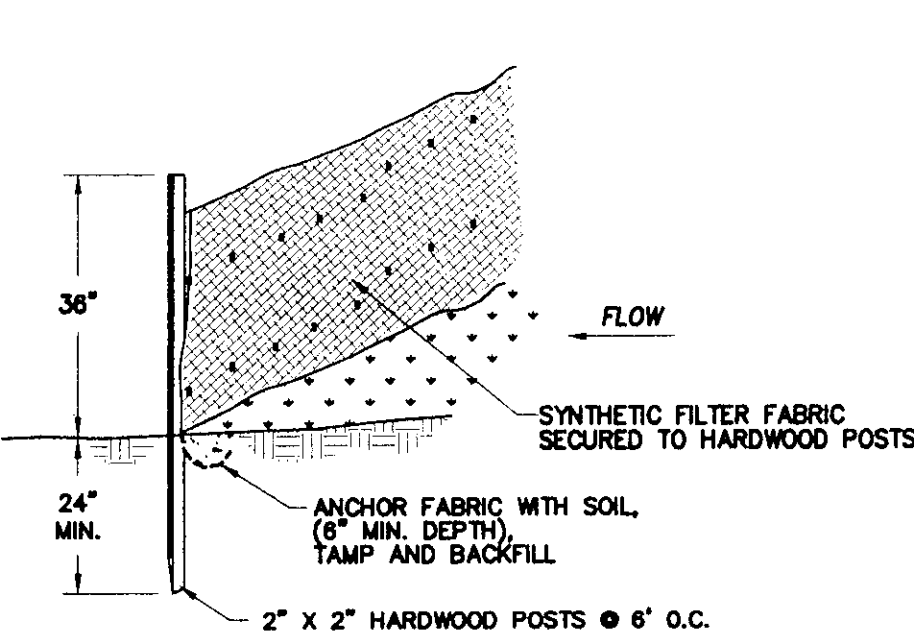


7 CRUSHED STONE CHECK DAM
N.T.S.

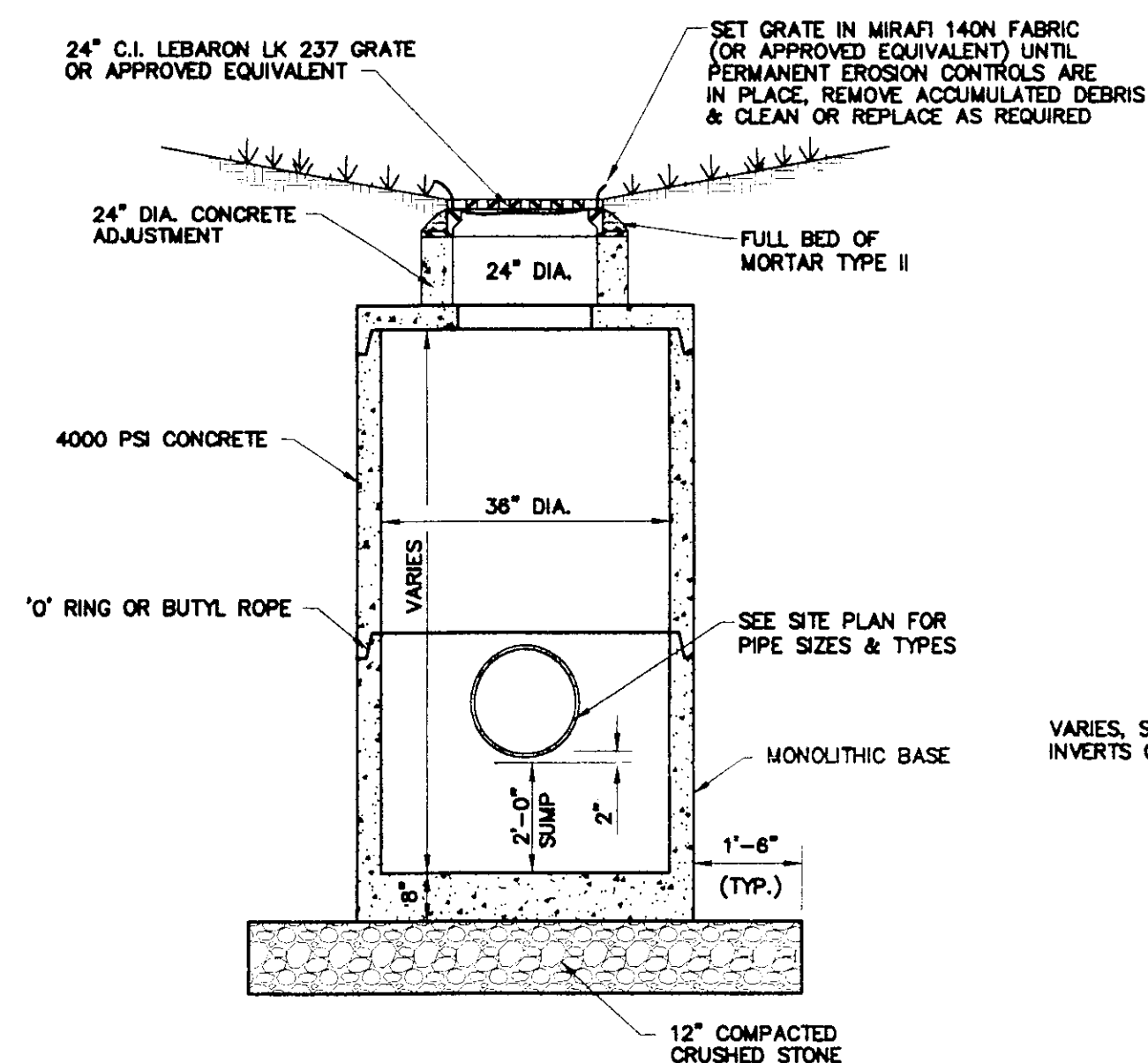


NOTE: SET GRATE IN MIRAFIX 140N FABRIC (OR APPROVED EQUIVALENT) UNTIL PERMANENT EROSION CONTROLS ARE IN PLACE. REMOVE ACCUMULATED DEBRIS & CLEAN OR REPLACE AS REQUIRED

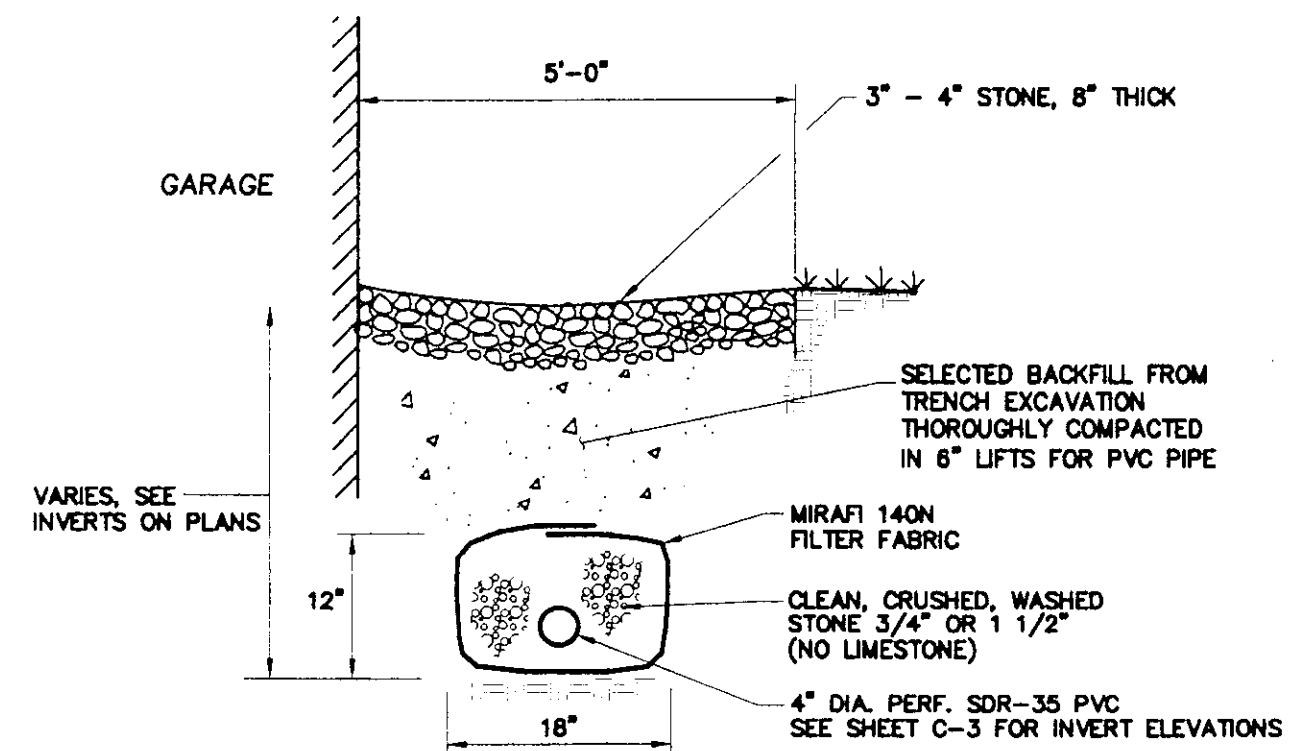
8 INLET PROTECTION
N.T.S.



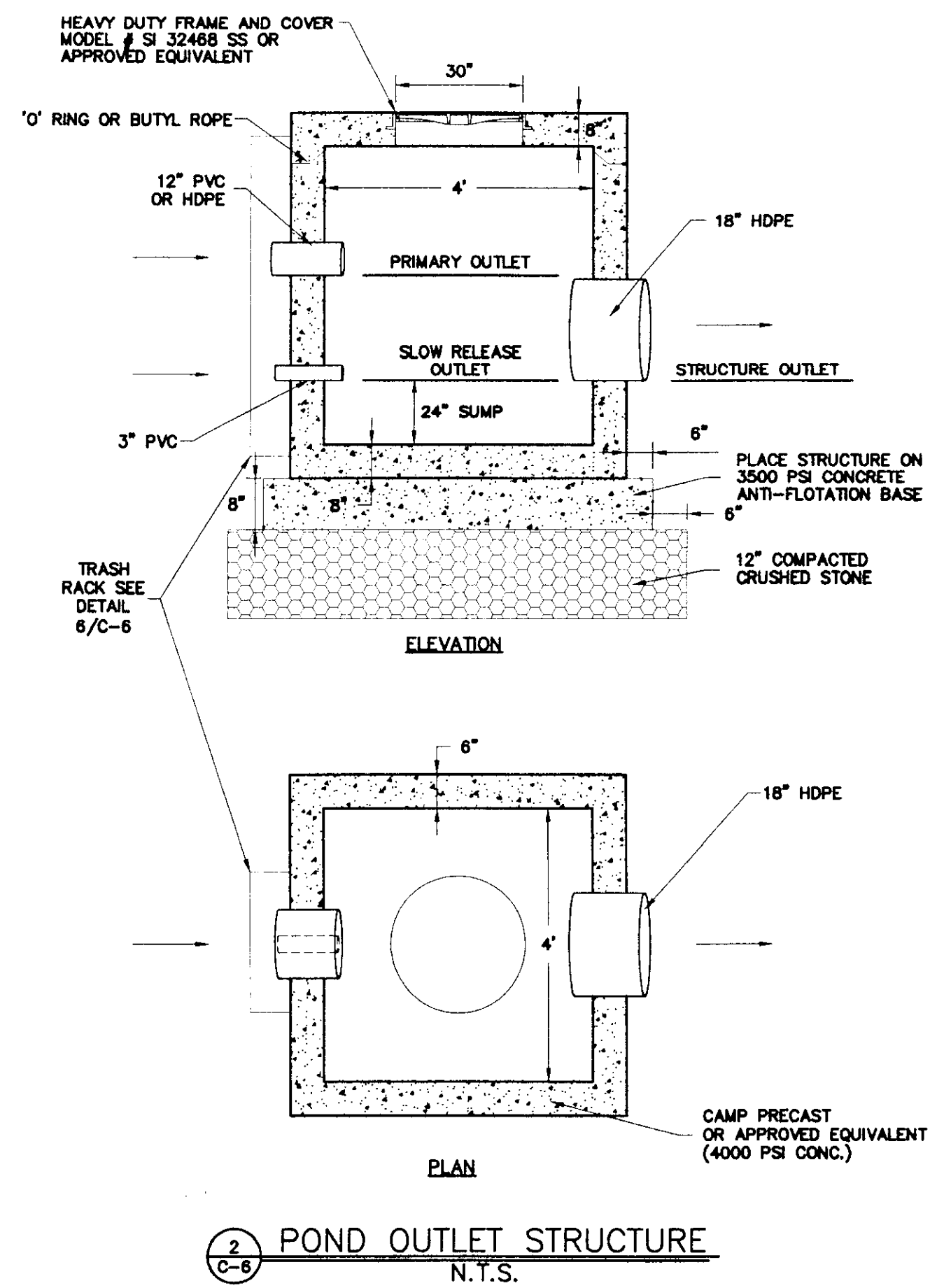
9 SILT FENCE DETAIL
N.T.S.



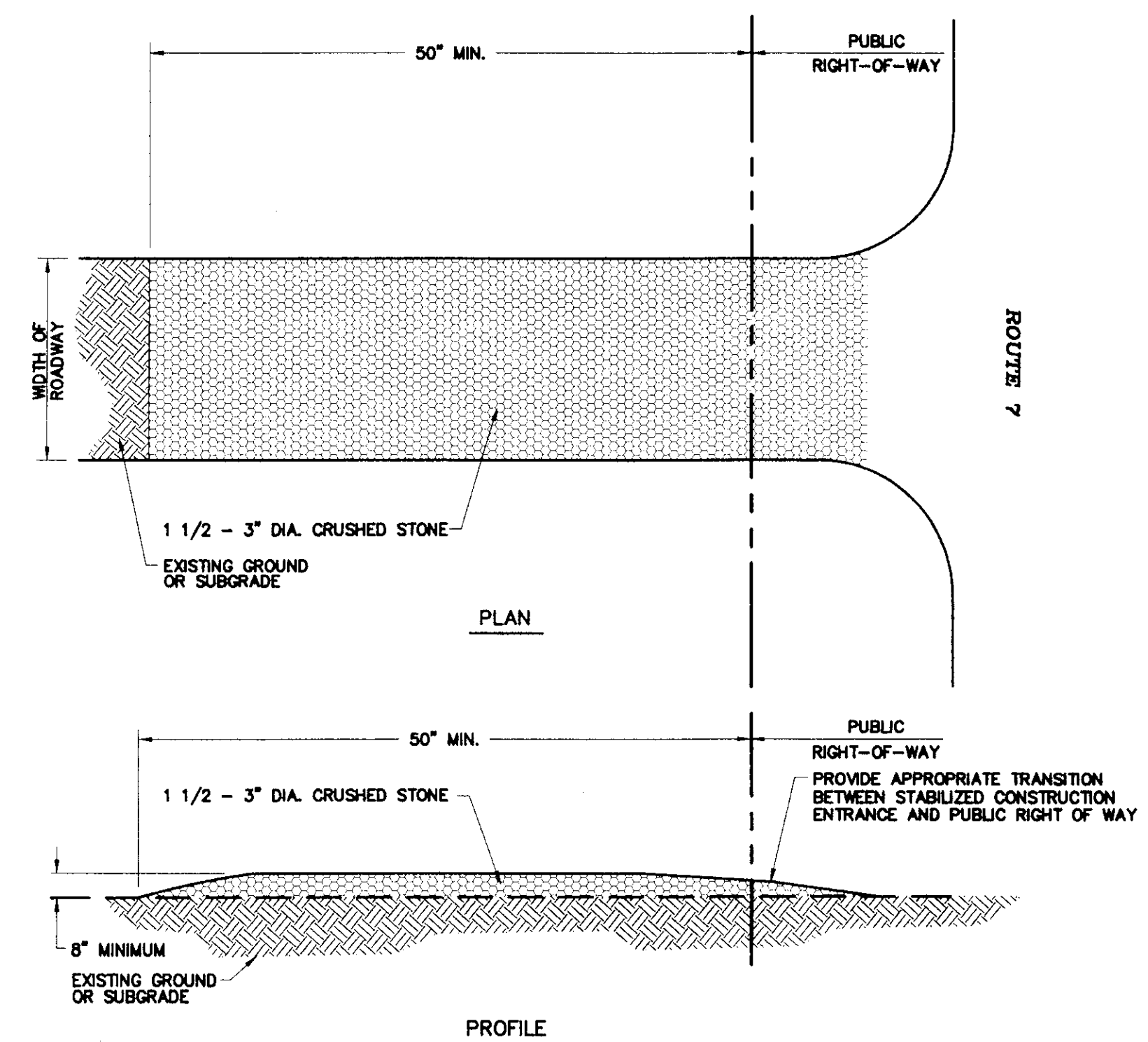
10 TYPICAL CATCH BASIN IN SWALE
N.T.S.



11 TYPICAL TRENCH DETAIL
N.T.S.



2 POND OUTLET STRUCTURE
N.T.S.



NOTES:

1. THE ENTRANCE SHALL BE MAINTAINED IN A CONDITION WHICH WILL PREVENT TRACKING OF SEDIMENT ONTO THE PUBLIC RIGHT-OF-WAY. THIS MAY REQUIRE PERIODIC TOP DRESSING WITH ADDITIONAL STONE AS CONDITIONS DEMAND AND REPAIR AND/OR CLEAN OUT OF ANY MEASURES USED TO TRAP SEDIMENT. ALL SEDIMENT TRACKED, SPILLED, OR WASHED ONTO THE PUBLIC RIGHT-OF-WAY SHALL BE REMOVED IMMEDIATELY BY THE CONTRACTOR.
2. THE USE OF CALCIUM CHLORIDE OR WATER MAY BE NECESSARY TO CONTROL DUST DURING THE SUMMER.

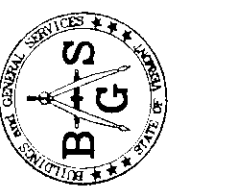
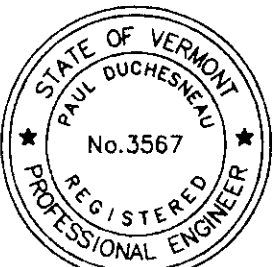
12 TEMPORARY STABILIZED CONSTRUCTION ENTRANCE DETAIL
N.T.S.

Champlain Consulting ENGINEERS

86 PERU ROAD, P.O. BOX 453 COLCHESTER, VERMONT 05446

PHONE: (802) 863-8929 FAX: (802) 864-1878

D&W DEE AND WHITTIER, INC. Architects • Project Managers



STATE OF VERMONT DEPARTMENT OF BUILDINGS AND GENERAL SERVICES AGENCY OF ADMINISTRATION MONTPELIER, VERMONT



AGENCY OF TRANSPORTATION
N. FERRISBURGH MAINTENANCE FACILITY
NORTH FERRISBURGH, VERMONT

REVISIONS

| SCALE: | AS NOTED |
|-----------|----------|
| DATE: | 01/04/06 |
| DRAWN BY: | CCE |
| APPR. BY: | PD |

FERRISBURGH

MAINTENANCE GARAGE

STORMWATER DETAILS

C-6

10 OF 43

N:\usdk\proj\23100\2005\23100_C-6_2005.dwg Thu Jan 05 11:40:12 2006 CCE/MLC