



**DORE AND WHITTIER INC.**  
ARCHITECTS • PROJECT MANAGERS  
1765 WILLETTS ROAD, SOUTH BURLINGTON, VERMONT



STATE OF VERMONT  
DEPARTMENT OF BUILDINGS  
AND GENERAL SERVICES  
AGENCY OF ADMINISTRATION  
MONTPELIER, VERMONT



AGENCY OF TRANSPORTATION  
COLCHESTER MAINTENANCE FACILITY  
VERMONT

REVISIONS	DATE: 15 OCT. 1999
SCALE: AS NOTED	DRAWN BY: NIP
COLCHESTER MAINTENANCE GARAGE	APPR. BY: NIP

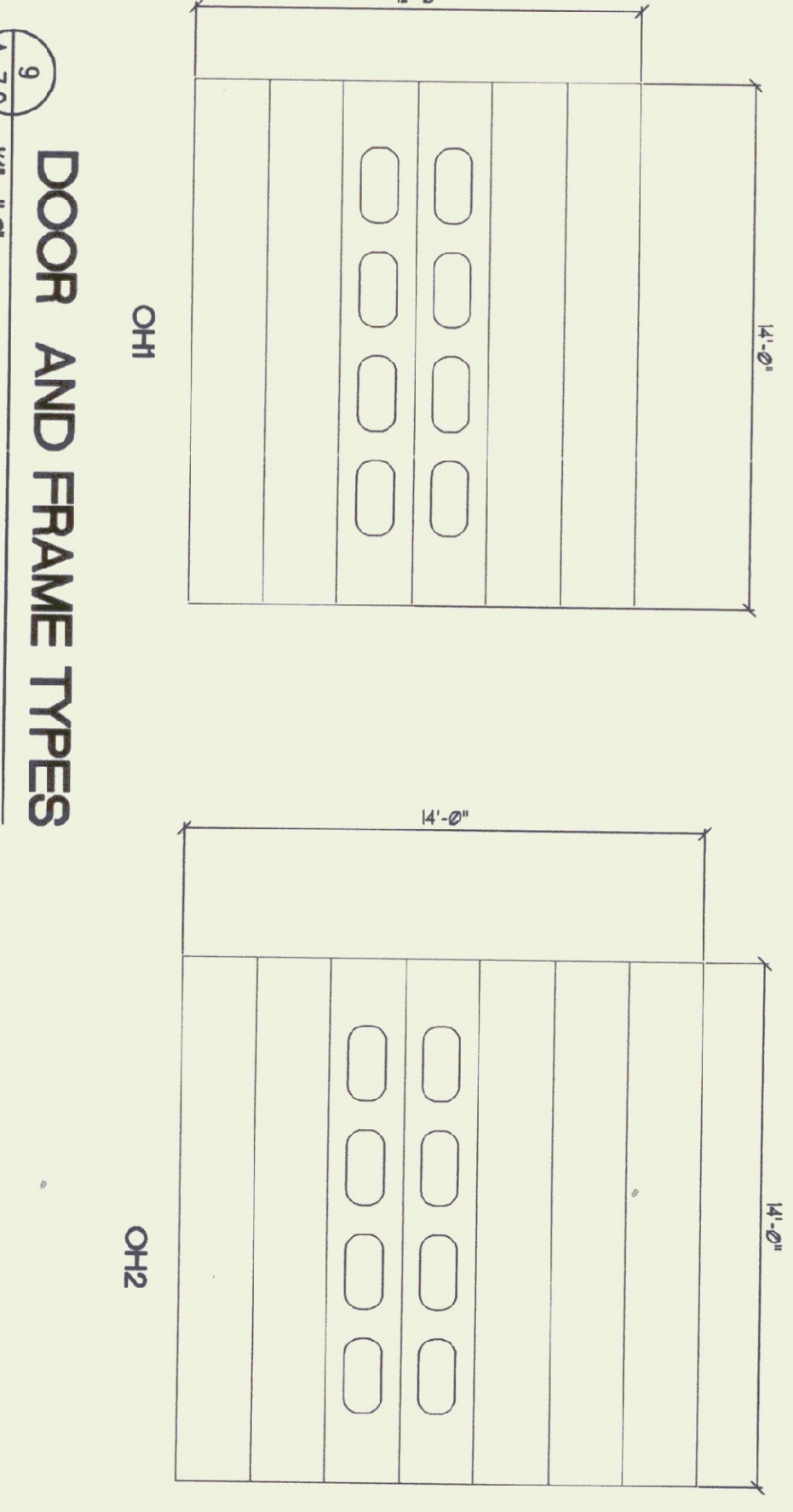
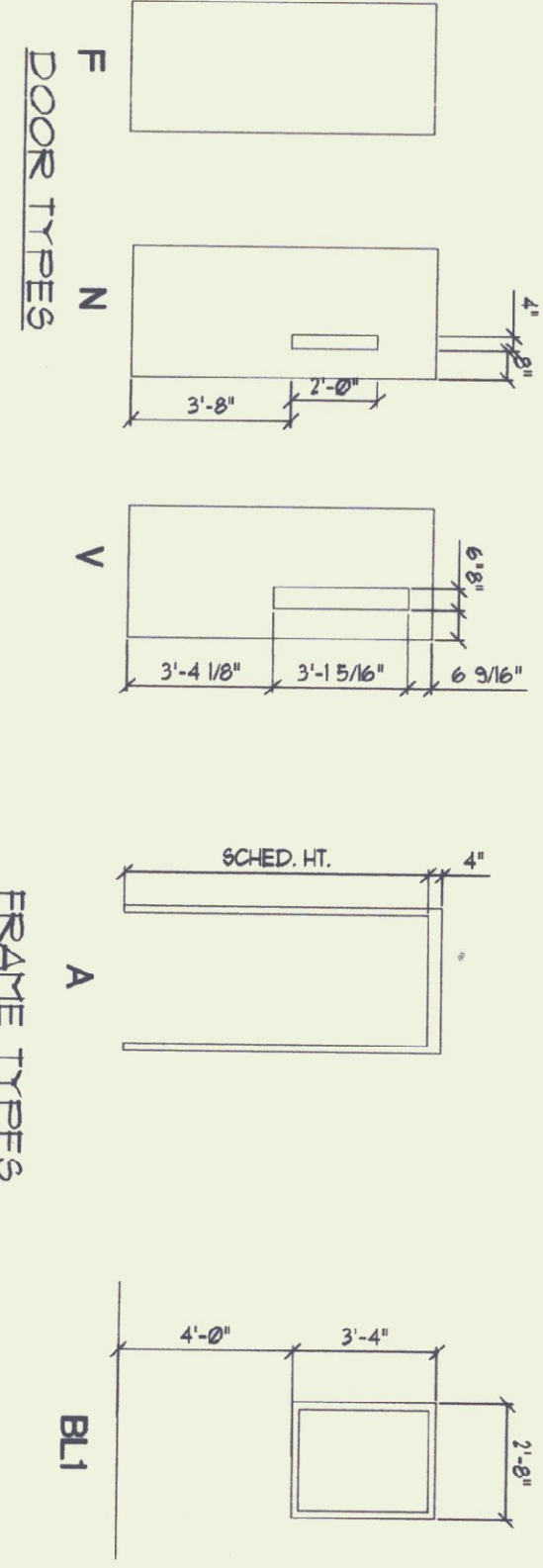
TOILET DETAILS  
DOOR SCHEDULE  
WINDOW TYPES

A-7.0  
24 OF 36

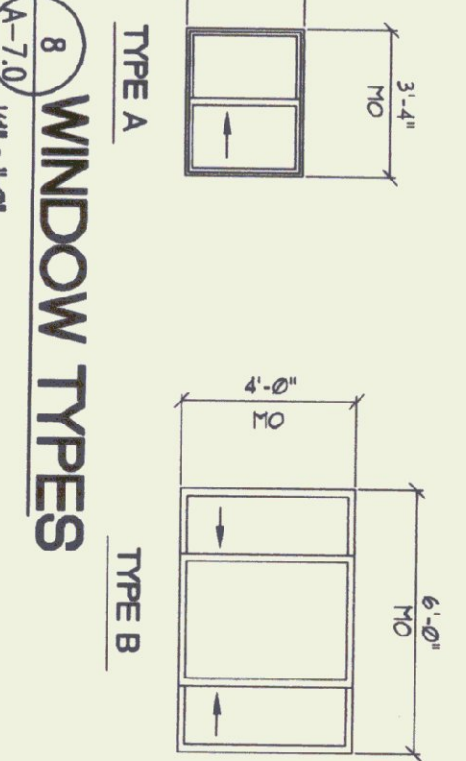
### DOOR & FRAME SCHEDULE (INCLUDING BORROWED LITES)

NUMBER	TYPE	DOOR		FRAME		LABEL	REMARKS
		MATERIAL	FINISH	MATERIAL	FINISH		
1	OH1	FR	FR	FR	FR		
2	OH2	FR	FR	FR	FR		
3	N	FR	FR	FR	FR		
4	N	FR	FR	FR	FR		
5	N	FR	FR	FR	FR		
6	N	FR	FR	FR	FR		
7	F	FR	FR	FR	FR		
8	F	FR	FR	FR	FR		
BL1							SEE ELEVATIONS AND DETAILS FOR ADDITIONAL INFO.

- NOTES:
1. ALL DOORS ARE 1 3/4" THICK UNLESS NOTED OTHERWISE
  2. INSULATE ALL EXT. INT. DOORS
  3. ALL DOORS AND FRAMES ARE TO HAVE GALVANIZED PREFER TIEN PAINTED (SEE SPEC.)
  - DOOR SCHEDULE
  - DOOR NUMBERS LISTED IN SCHEDULE



9  
A-7.0  
1/4" = 1'-0"  
DOOR AND FRAME TYPES

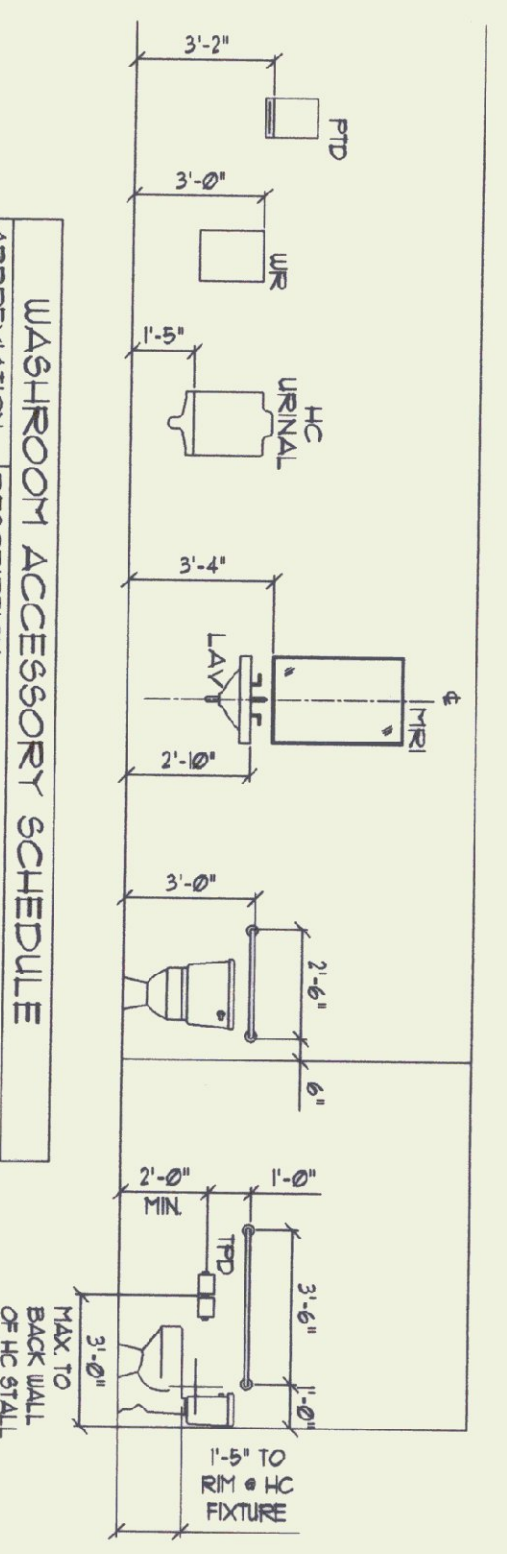


8  
A-7.0  
1/4" = 1'-0"  
WINDOW TYPES

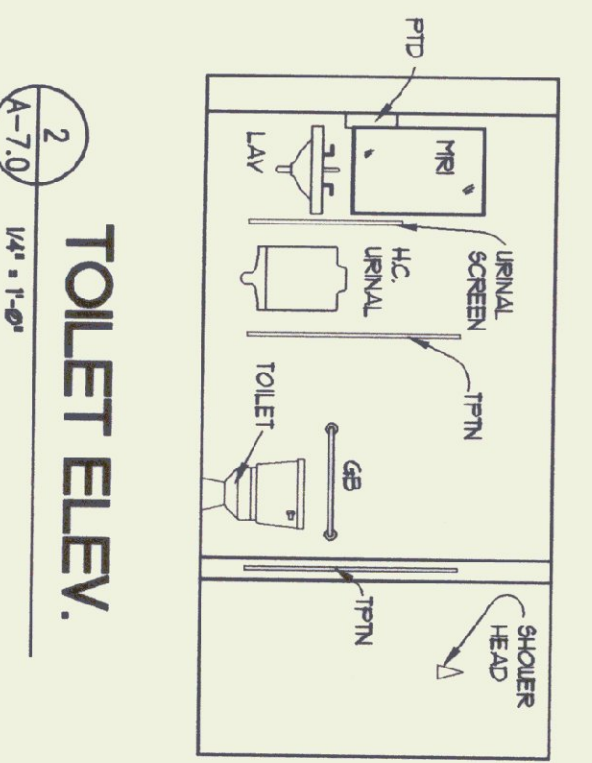
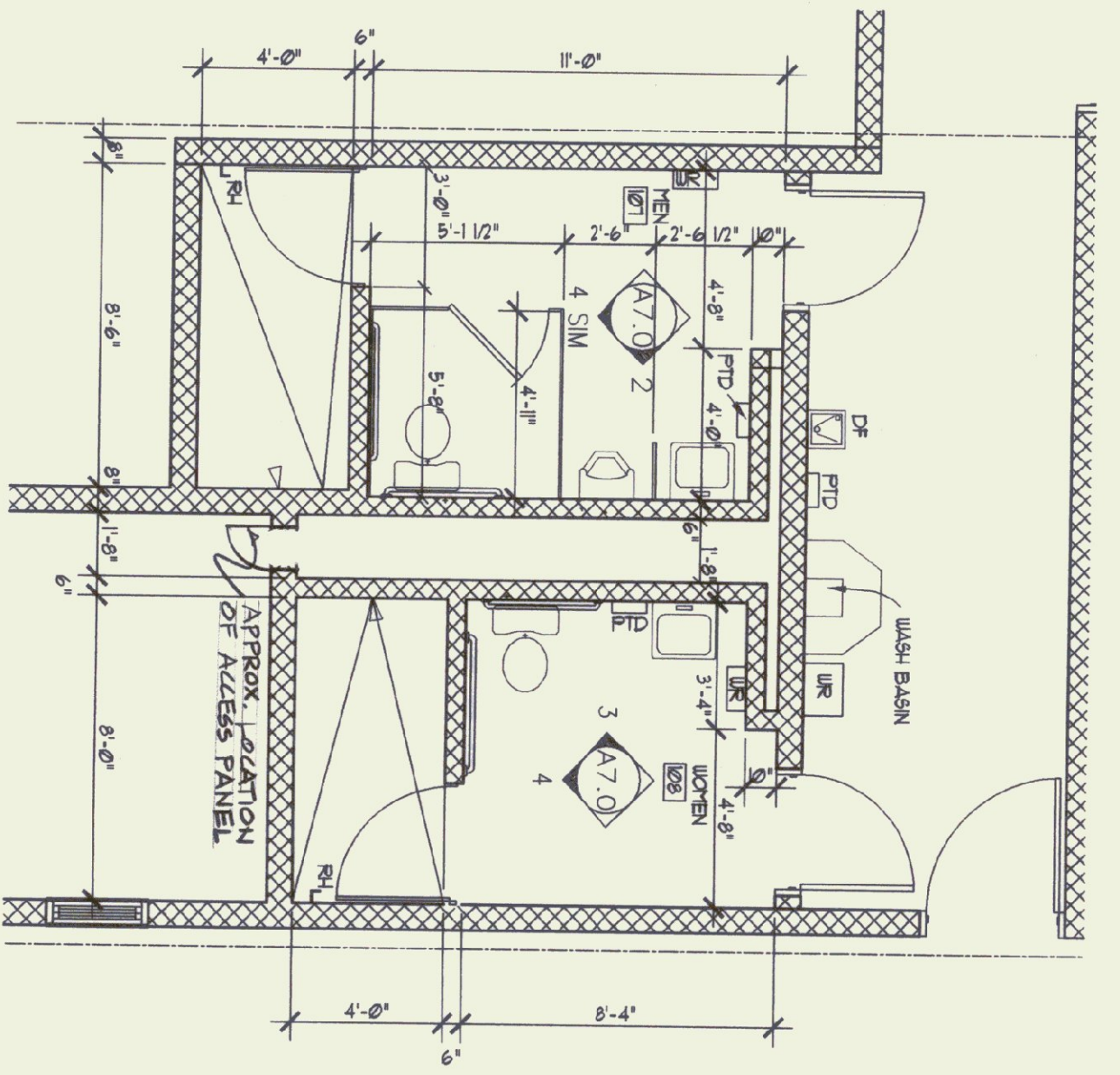
NOTES:  
1. GC TO PROVIDE BLOCKING FOR ALL ACCESSORIES

### WASHROOM ACCESSORY SCHEDULE

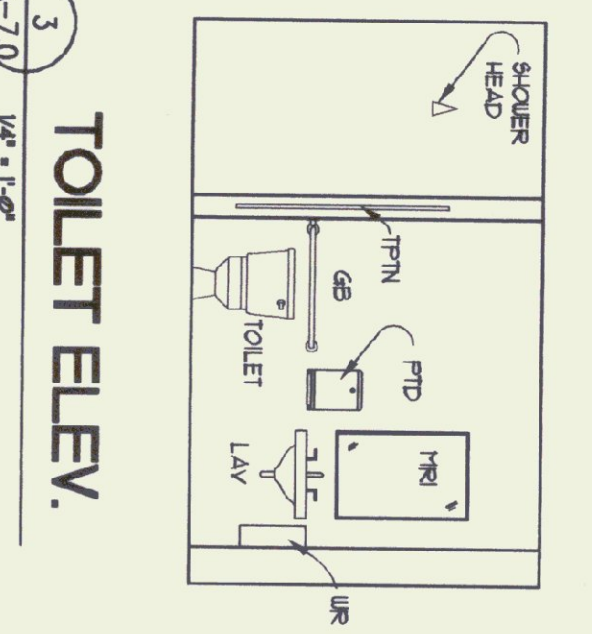
ABBREVIATION	DESCRIPTION
MIR	MIRROR, 24" X 36"
GB	GRAB BAR
TTP	TIGHT TIGHT TOILET TISSUE HOLDER
TPRN	PHENOLIC TOILET PARTITION & DOORS
RH	ROBE HOOK
SD	LIQUID SOAP DISPENSER
PTD	PAPER TOWEL DISPENSER
WIR	WASTE RECEPTACLE



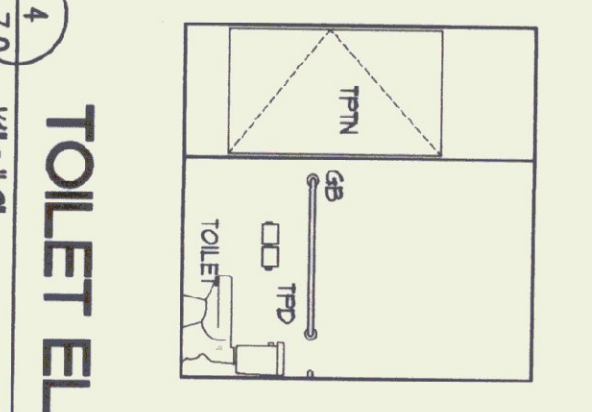
1  
A-7.0  
1/4" = 1'-0"  
TOILET RMS. PLAN DETAIL



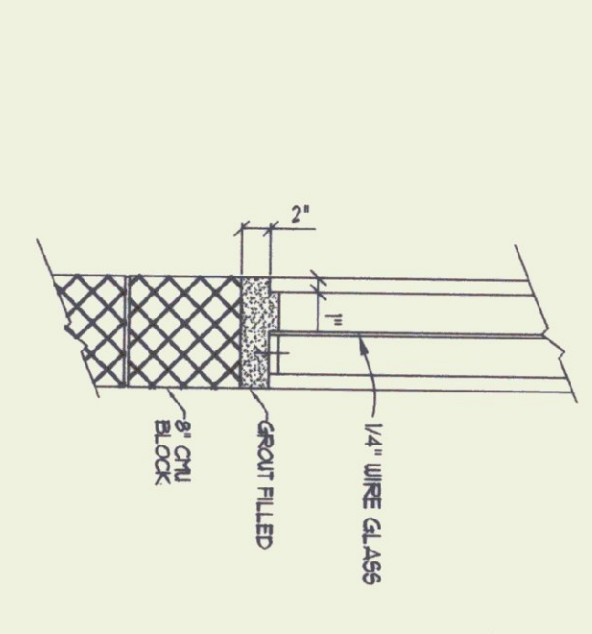
2  
A-7.0  
1/4" = 1'-0"  
TOILET ELEV.



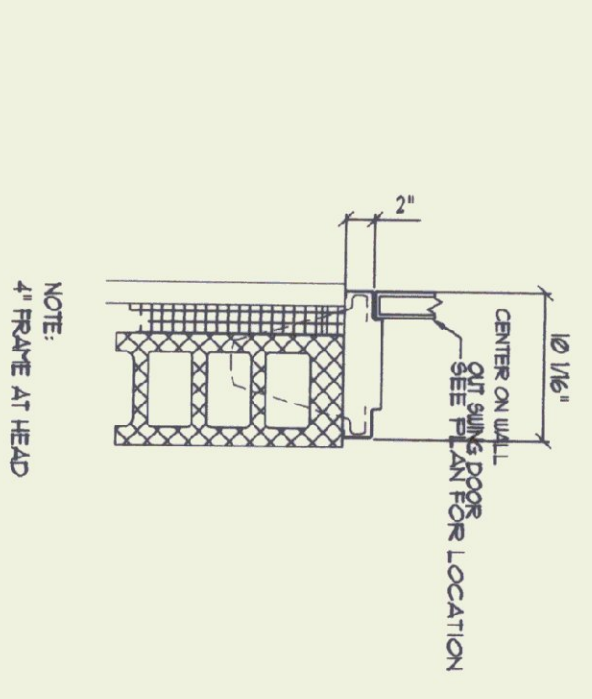
3  
A-7.0  
1/4" = 1'-0"  
TOILET ELEV.



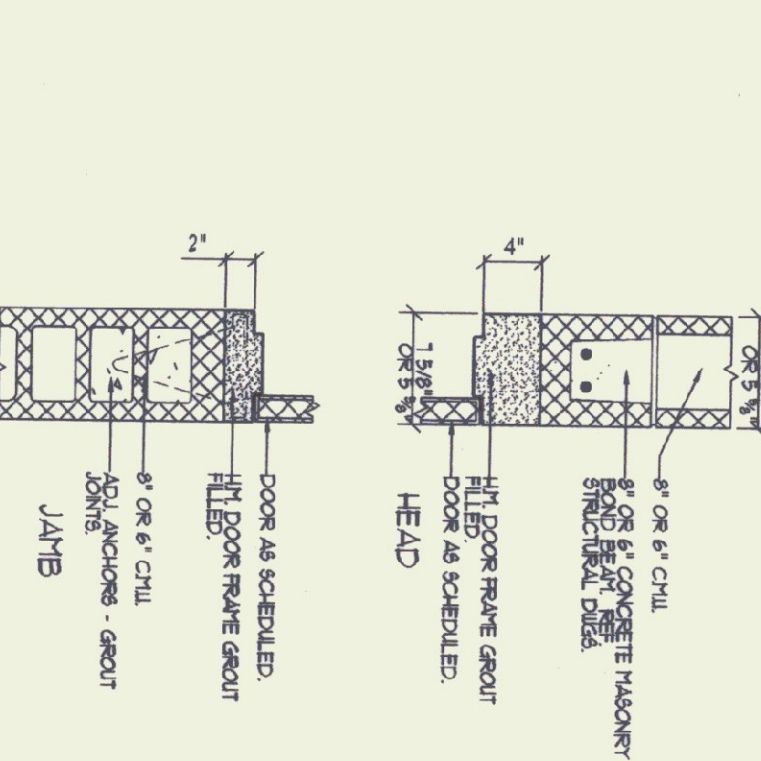
4  
A-7.0  
1/4" = 1'-0"  
TOILET ELEV.



5  
A-7.0  
1/4" = 1'-0"  
BOAR. LITE SECT.



6  
A-7.0  
1/4" = 1'-0"  
TYP. EXT. DOOR JAMB



7  
A-7.0  
1/4" = 1'-0"  
TYP. INT. DOOR JAMB