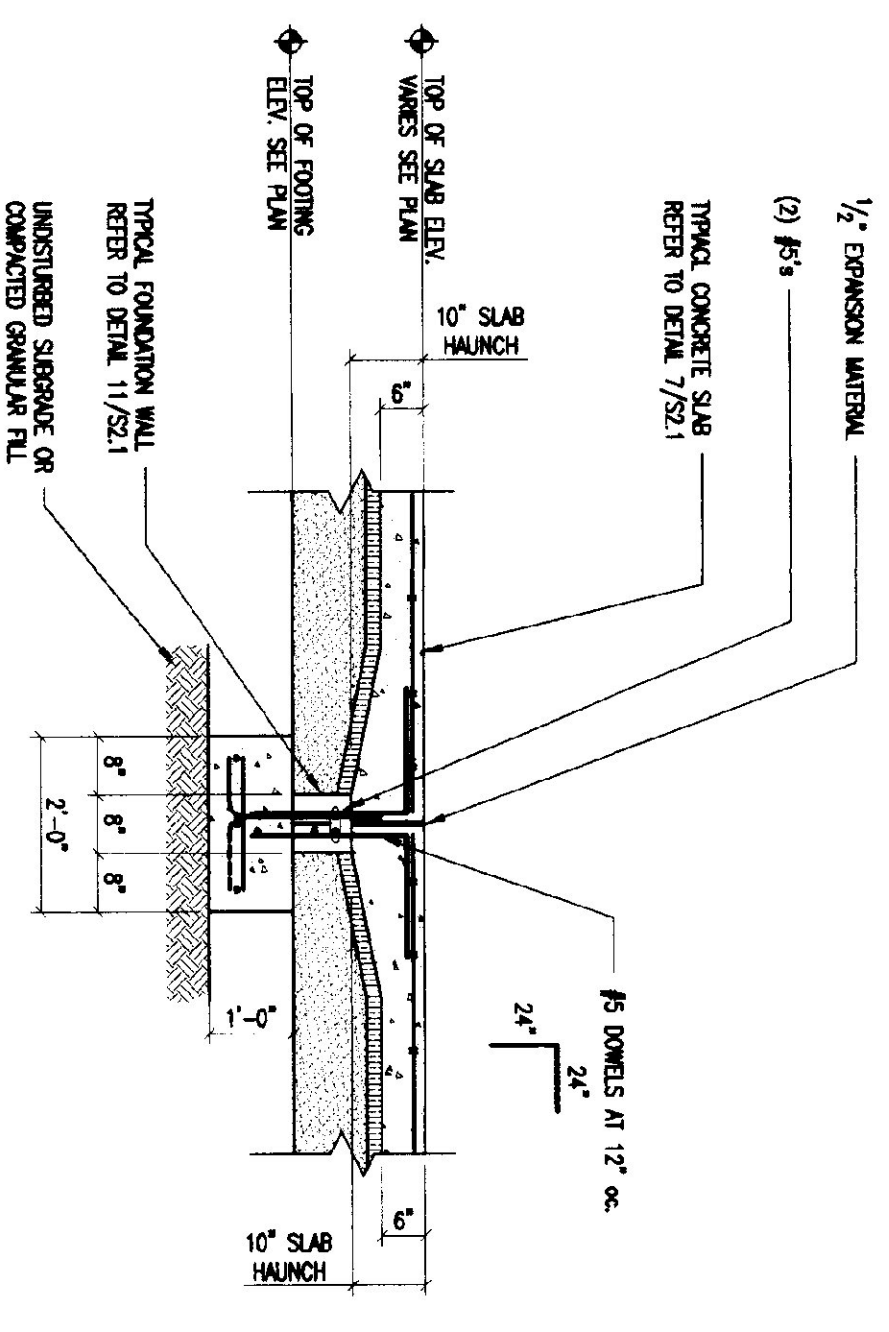


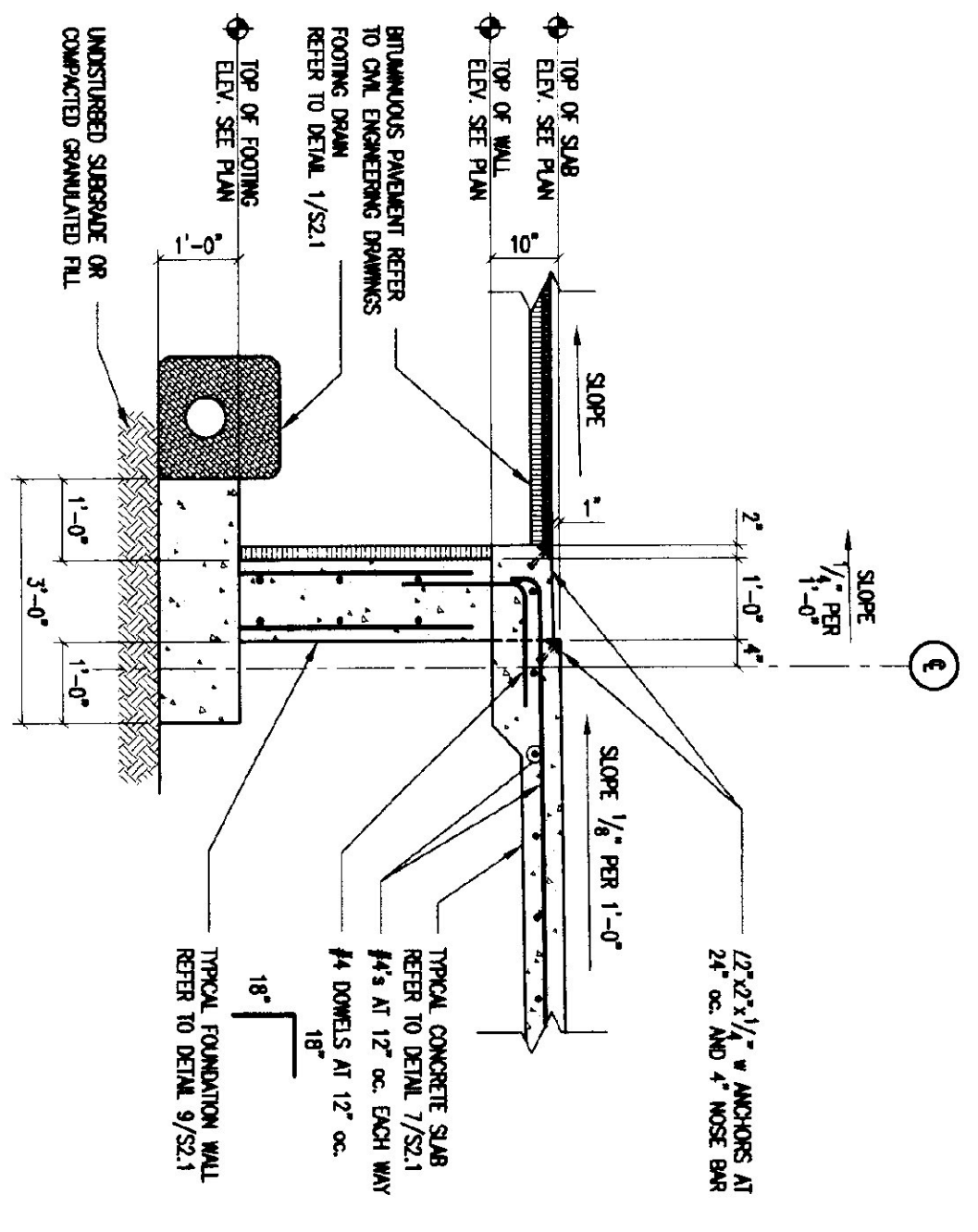
TYPICAL ENTRY SLAB AT EXTERIOR DOOR

1/2" = 1'-0"



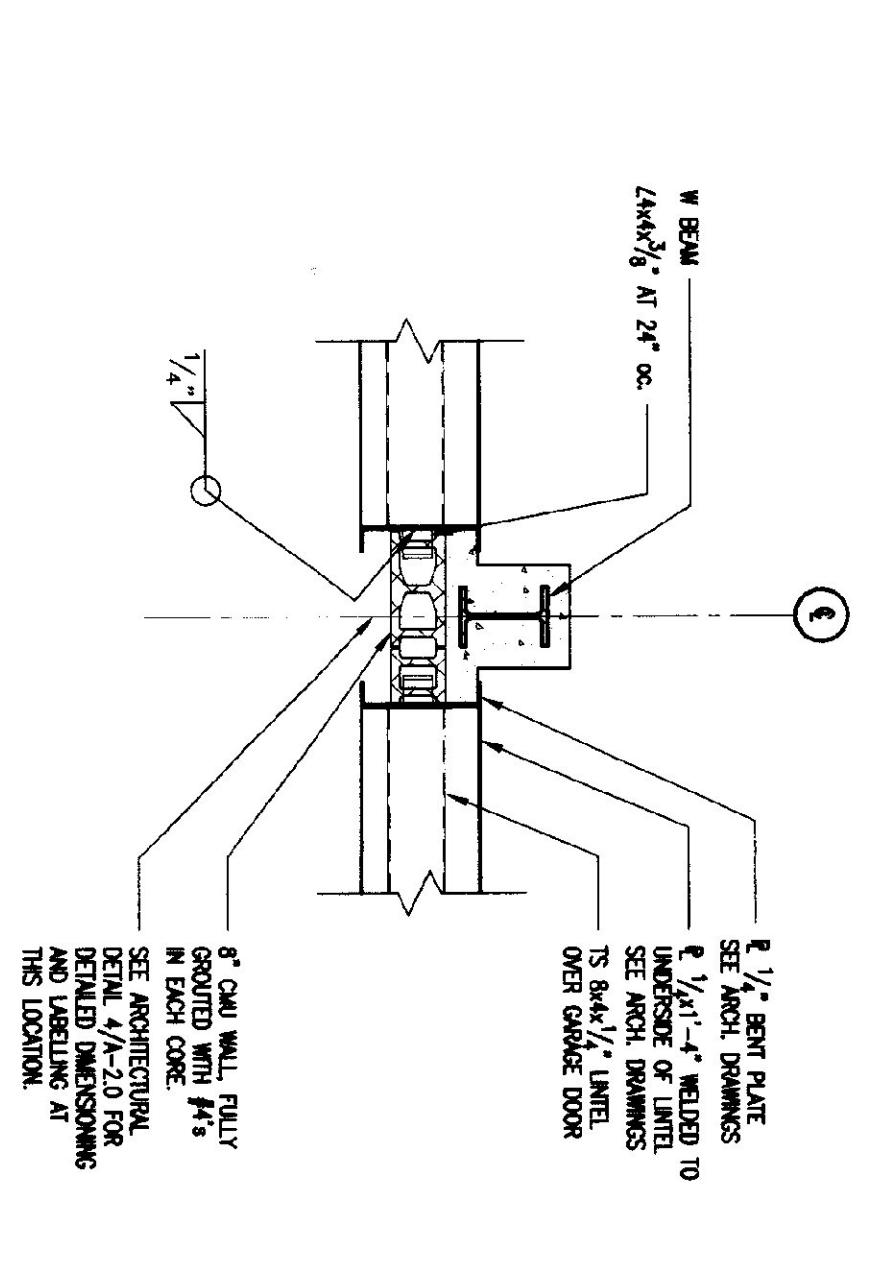
TYPICAL SLAB AT INTERIOR DOOR

1/2" = 1'-0"



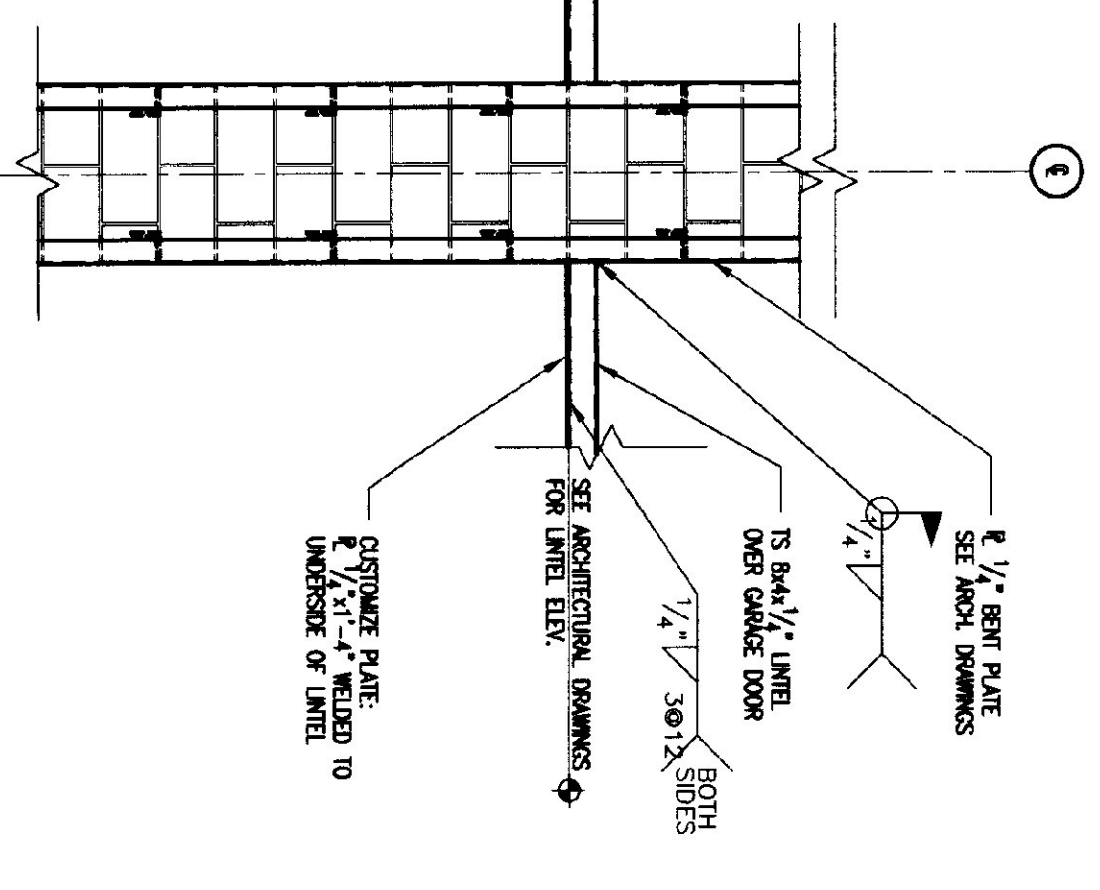
FOUNDATION WALL AND SLAB DETAIL

1/2" = 1'-0"



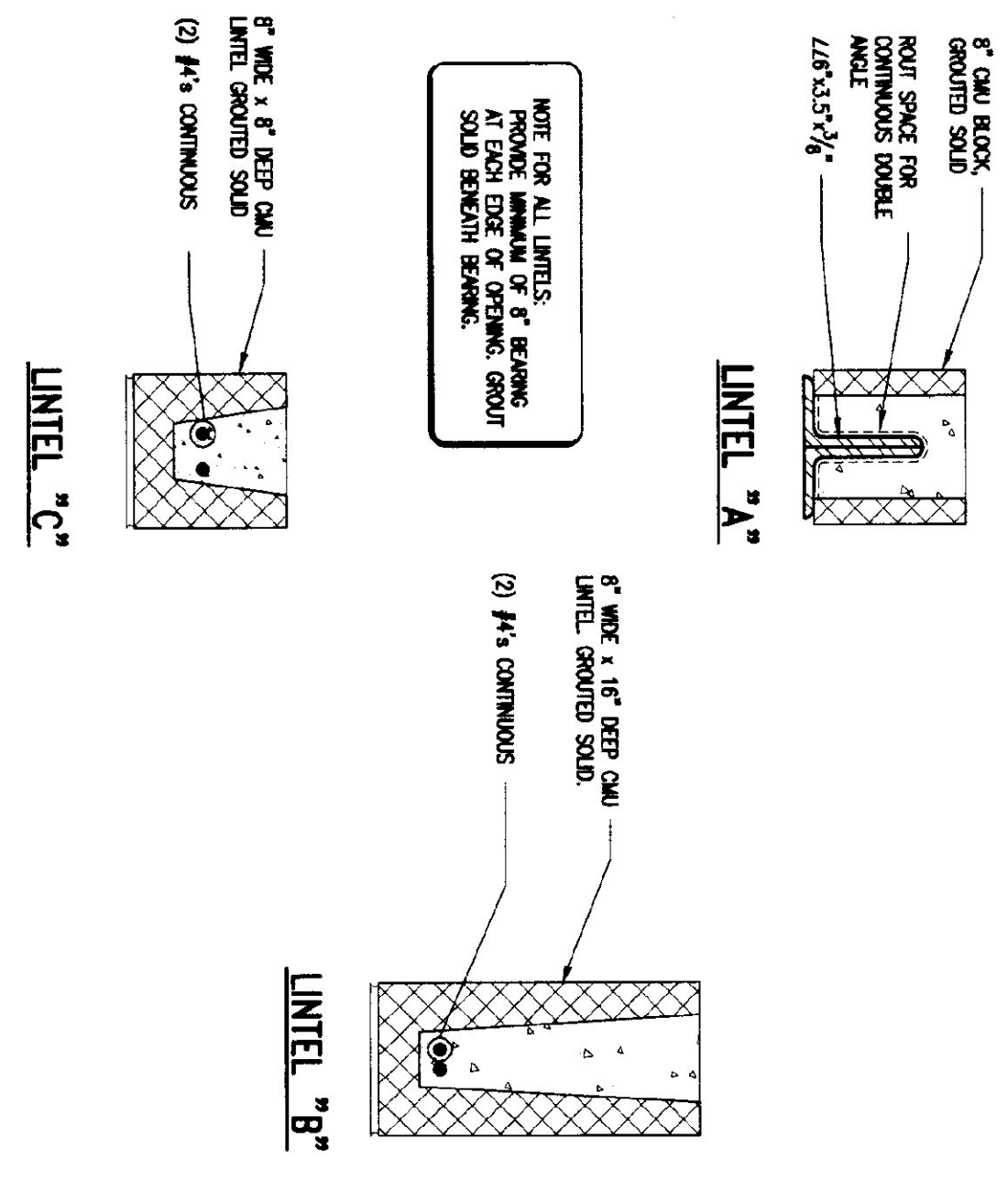
PIER AND WALL BETWEEN GARAGE DOORS

1/2" = 1'-0"



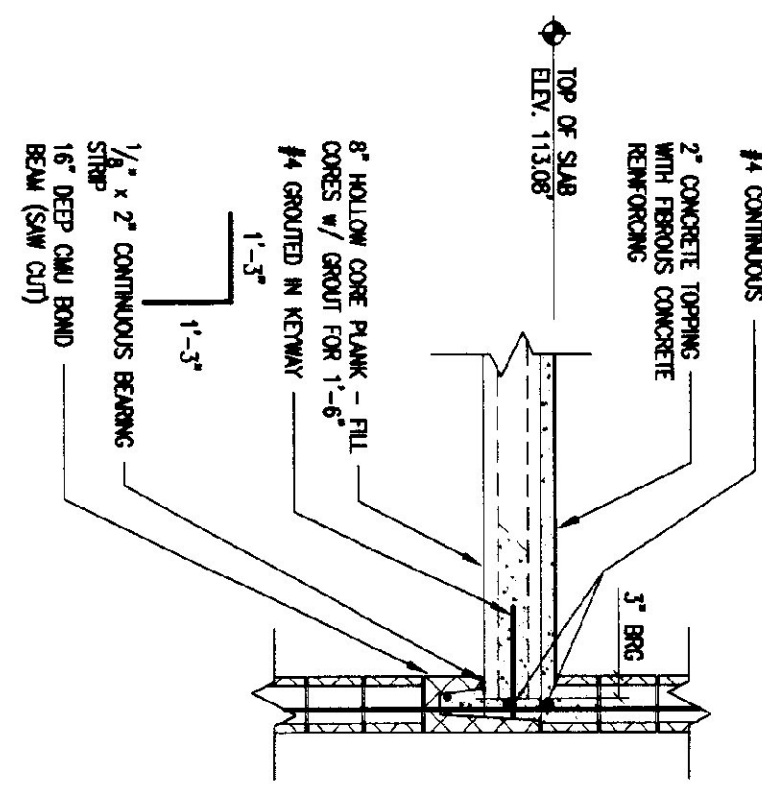
LINTEL OVER GARAGE DOOR

1/2" = 1'-0"



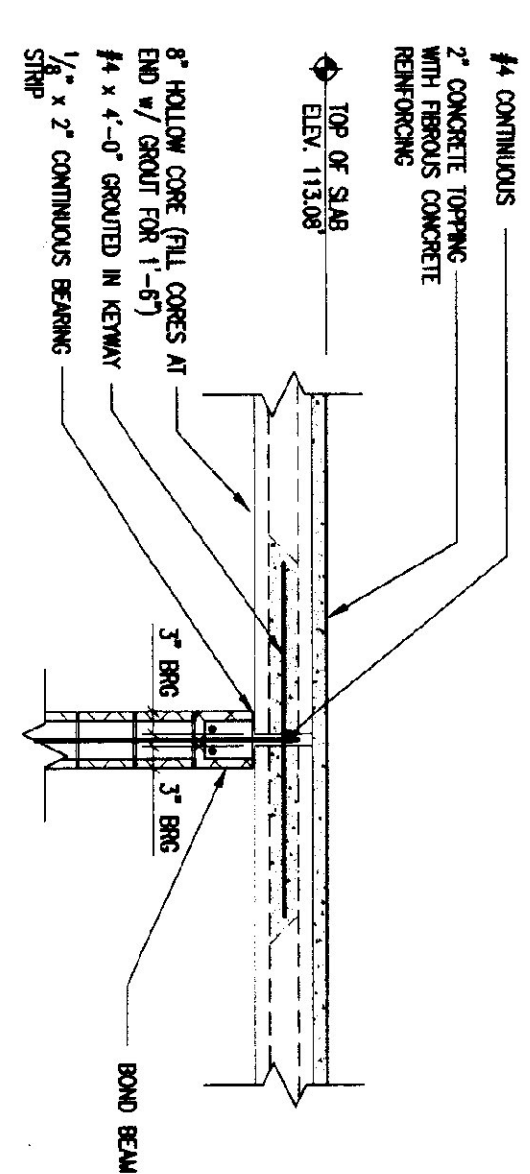
TYPICAL LINTELS

1/2" = 1'-0"



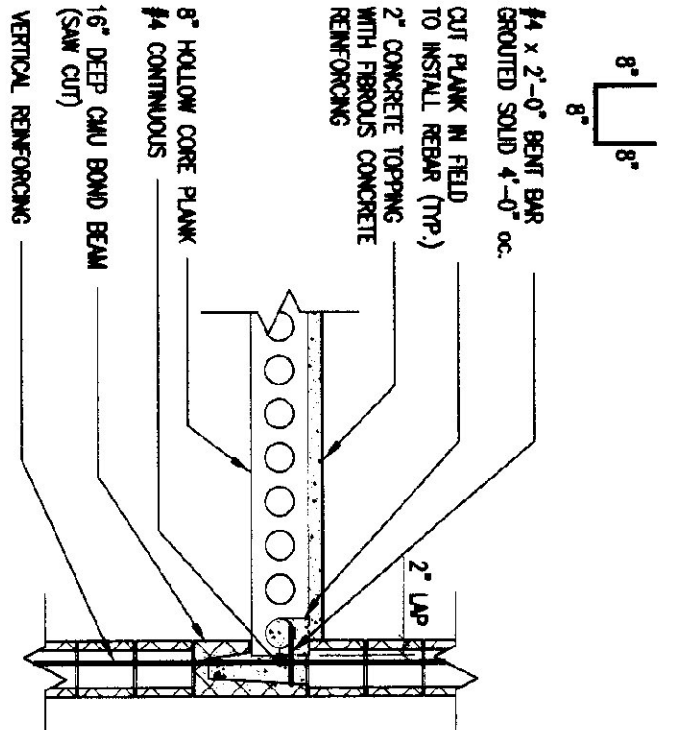
BEARING SECTION

1/2" = 1'-0"



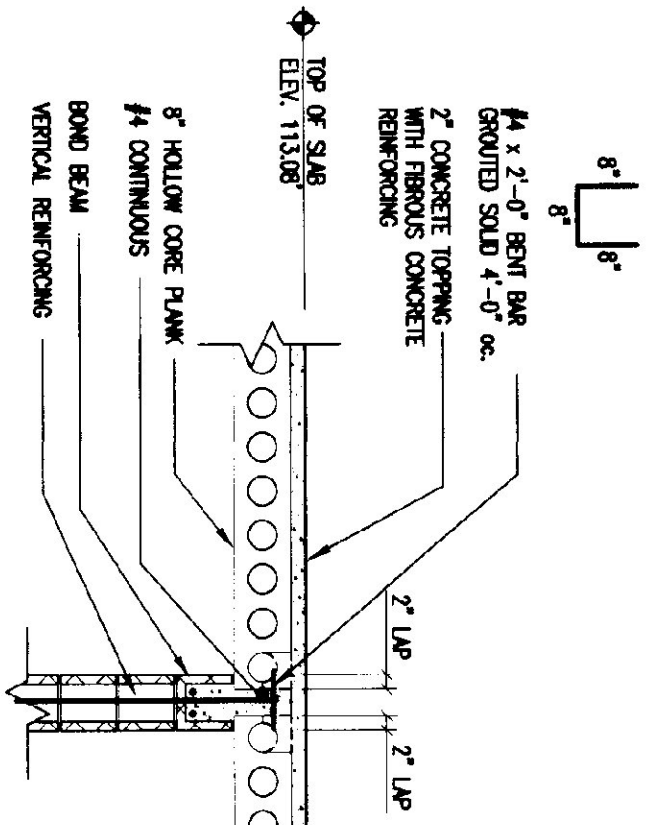
BEARING SECTION

1/2" = 1'-0"



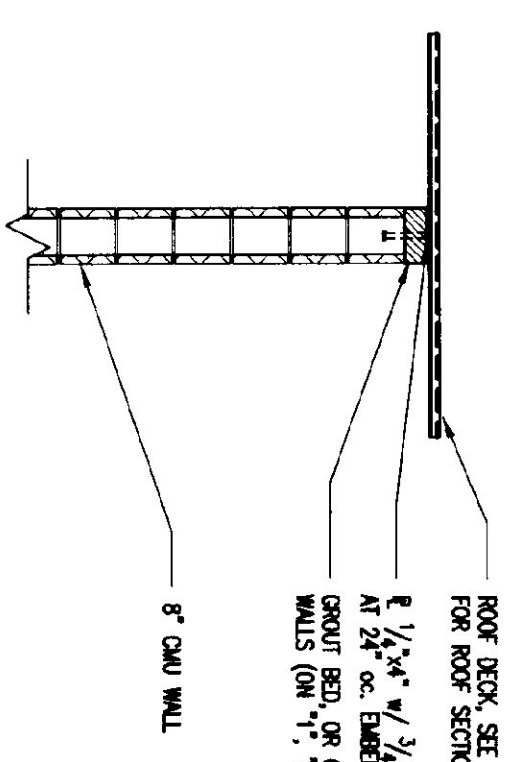
LAP SECTION

1/2" = 1'-0"



LAP SECTION

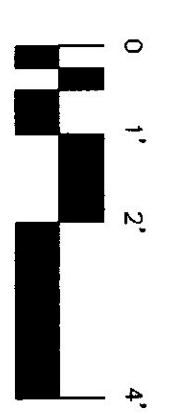
1/2" = 1'-0"



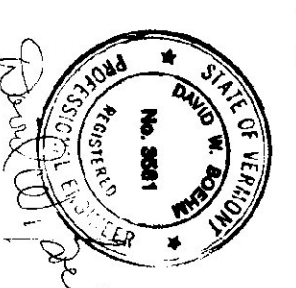
STEEL DECK/CMU WALL DETAIL

1/2" = 1'-0"

NOTE: INTERFERE WALL ALLOW REBARING TO PASS THROUGH WALL. FILL VOID SPACE PER ARCHITECTURAL DRAWINGS.

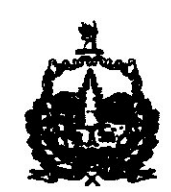


SCALE: 1/2" = 1'-0"



S-2.2  
14 OF 36

AGENCY OF TRANSPORTATION  
COLCHESTER MAINTENANCE FACILITY  
CHIMNEY CORNERS  
COLCHESTER, VERMONT



STATE OF VERMONT  
DEPARTMENT OF BUILDINGS  
AND GENERAL SERVICES  
AGENCY OF ADMINISTRATION  
MONTPELIER, VERMONT



DORE AND WHITTIER INC.  
ARCHITECTS • PROJECT MANAGERS  
1795 WILLOTT ROAD • SOUTH BURLINGTON • VERMONT  
ENGINEERING VENTURES INC.  
105 Kilburn Street  
Burlington, VT 05401  
Tel: 802.865.0880  
Fax: 802.865.0885  
EngineeringVentures.com