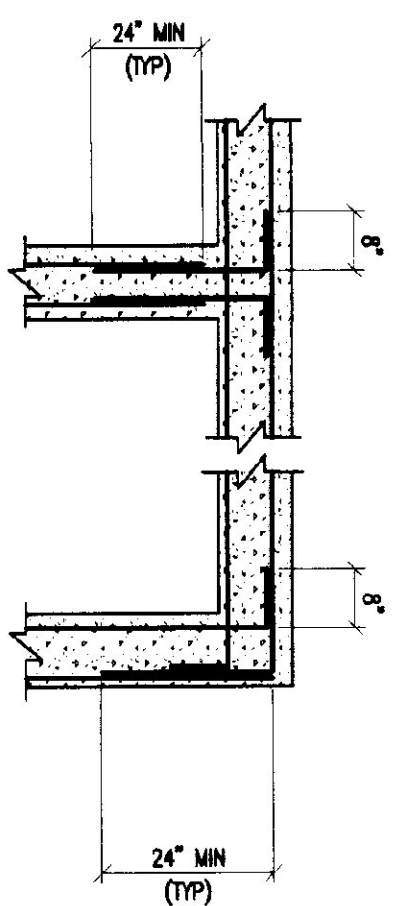
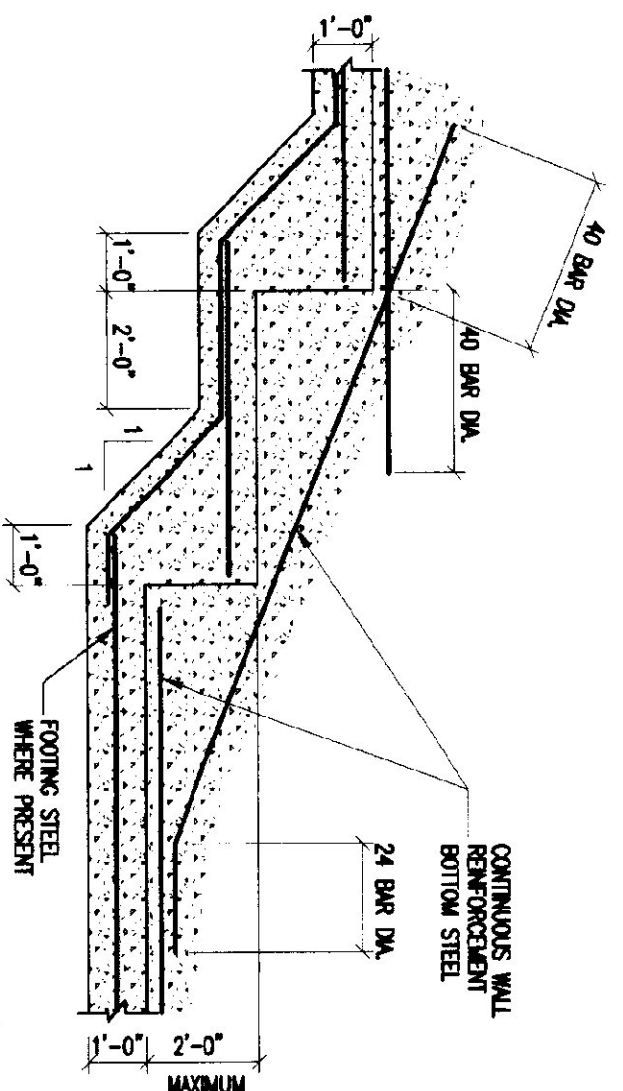


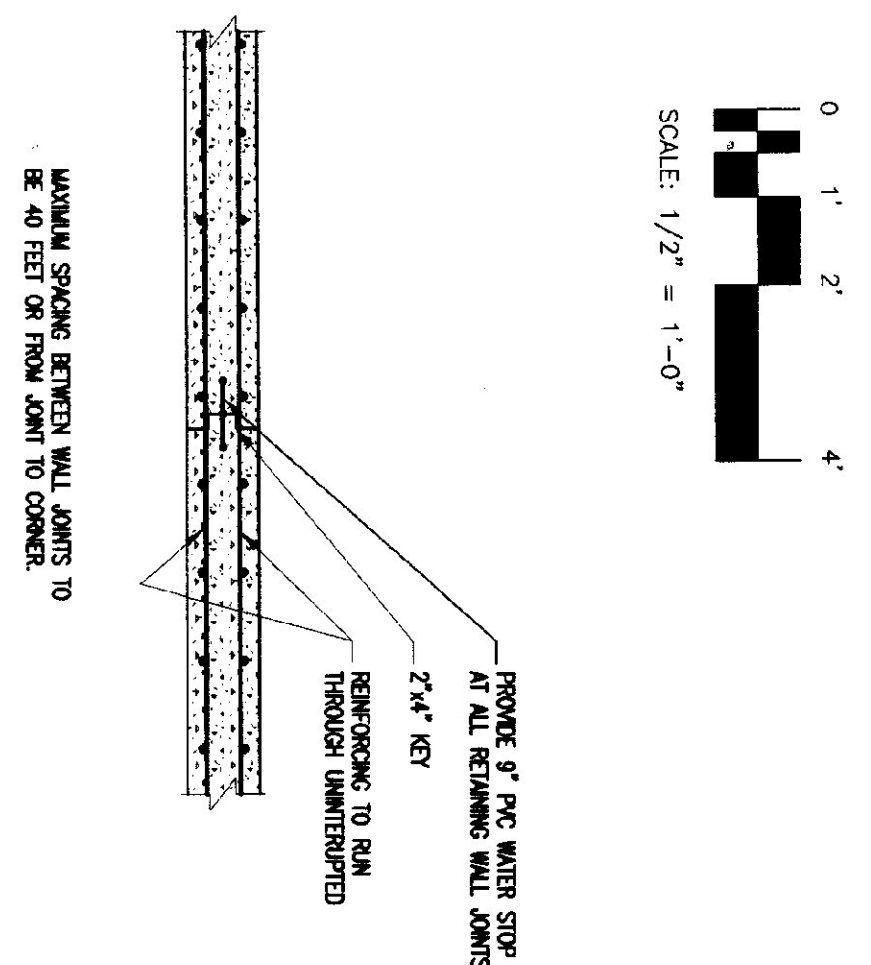
TYPICAL FOOTING DRAIN DETAIL
1
1/2" = 1'-0"



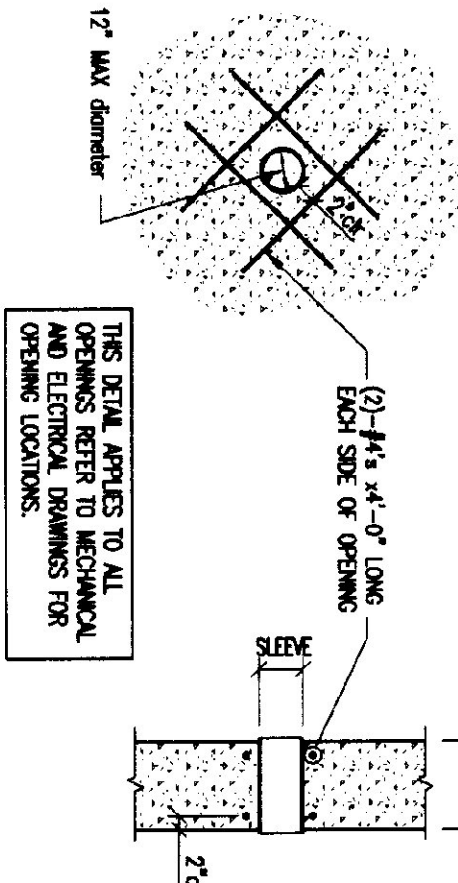
CORNER REINFORCING DETAIL
2
1/2" = 1'-0"



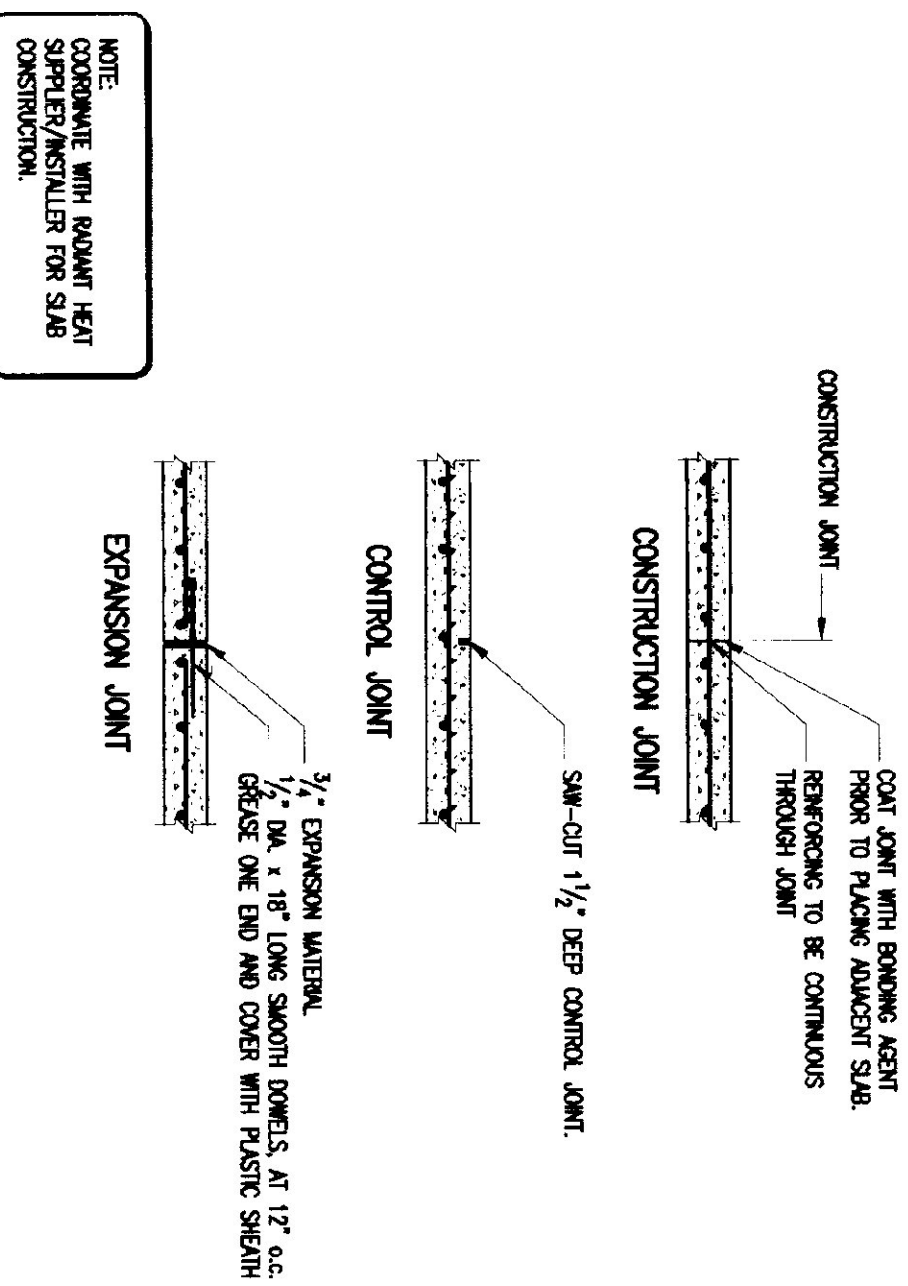
TYPICAL FOOTING STEP
3
1/2" = 1'-0"



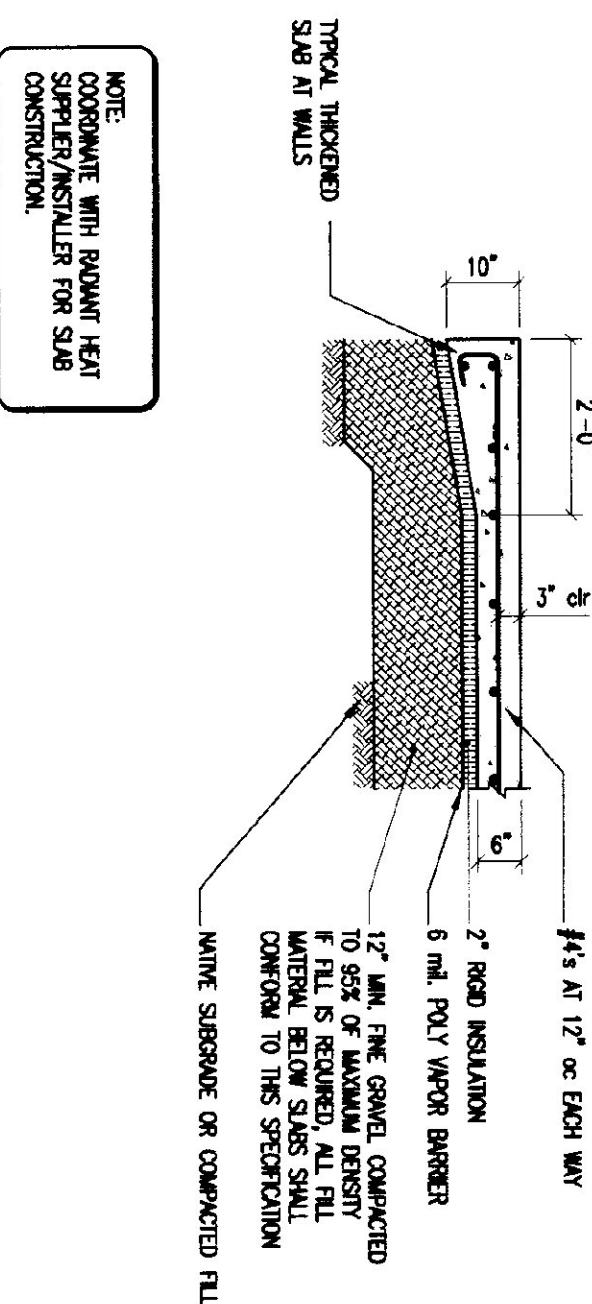
WALL CONSTRUCTION JOINT
4
1/2" = 1'-0"



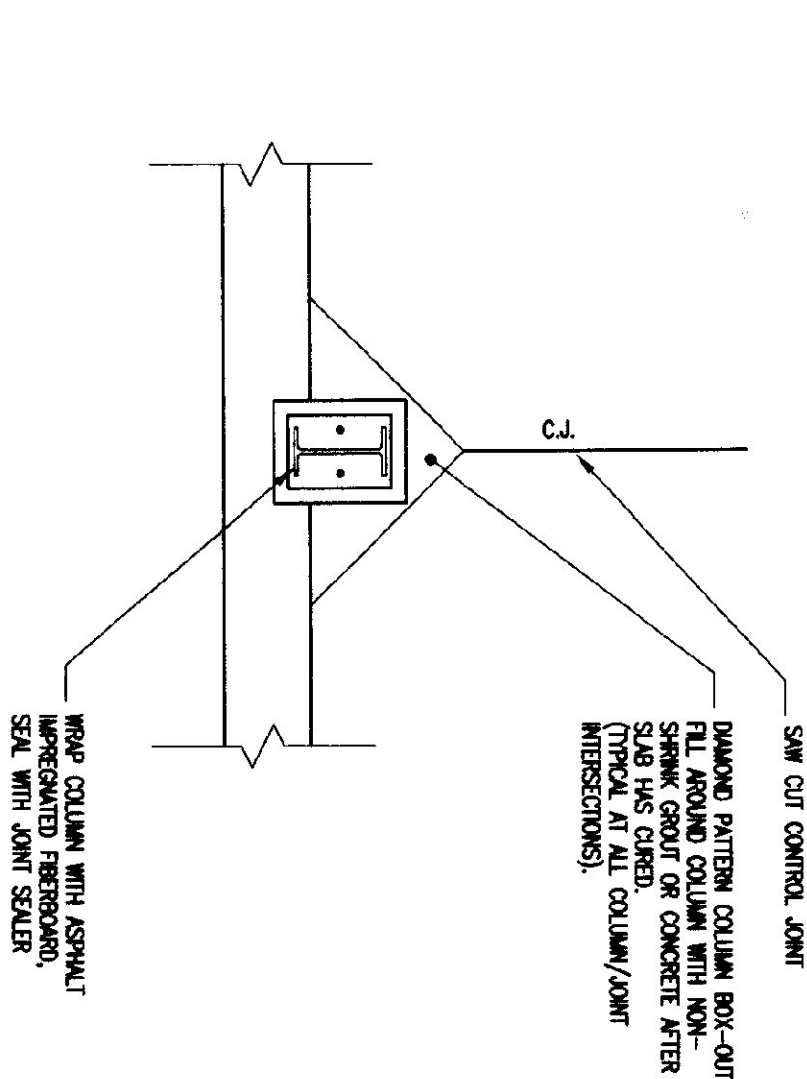
TYPICAL WALL OPENING DETAIL
5
1/2" = 1'-0"



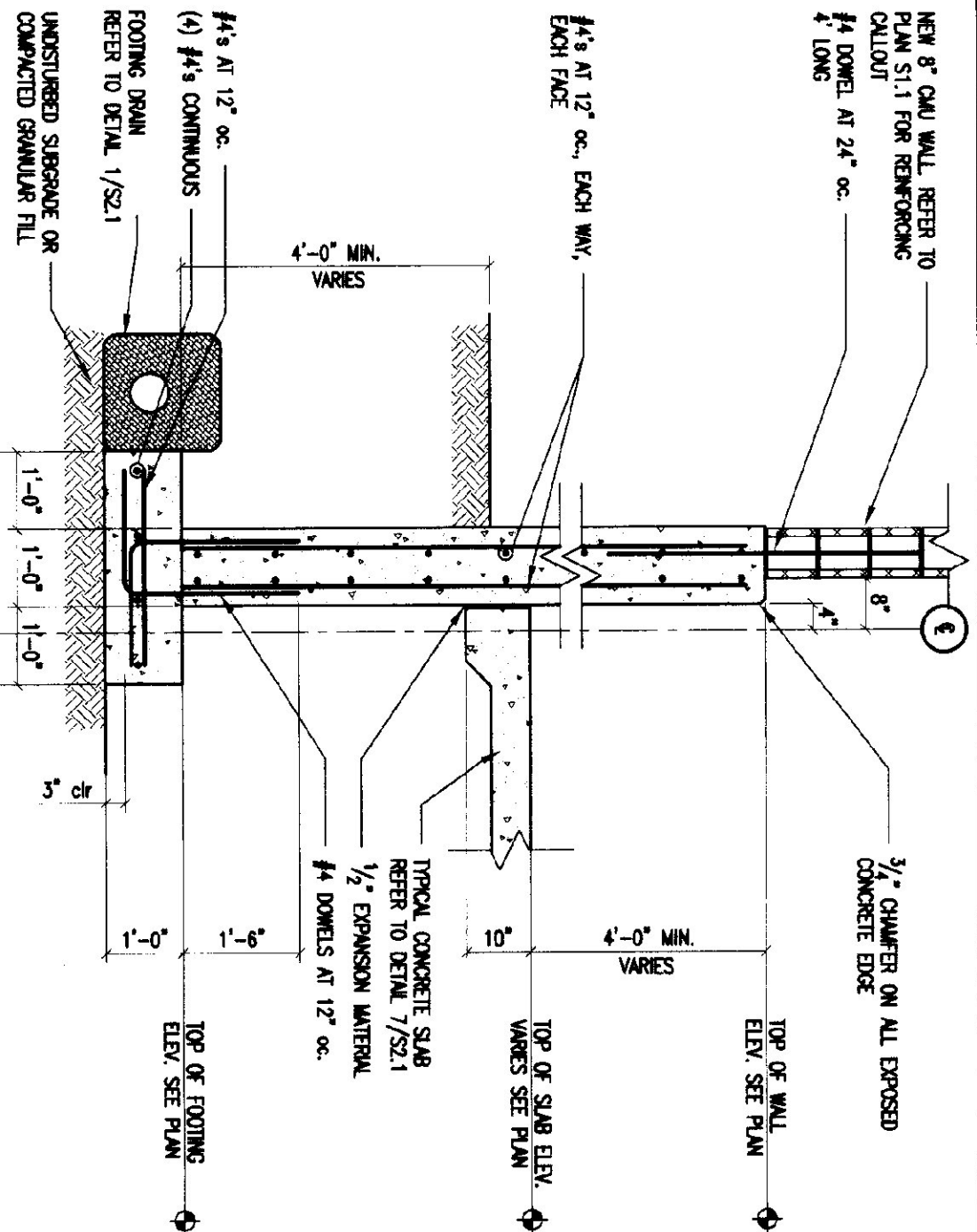
TYPICAL SLAB JOINTS
6
1/2" = 1'-0"



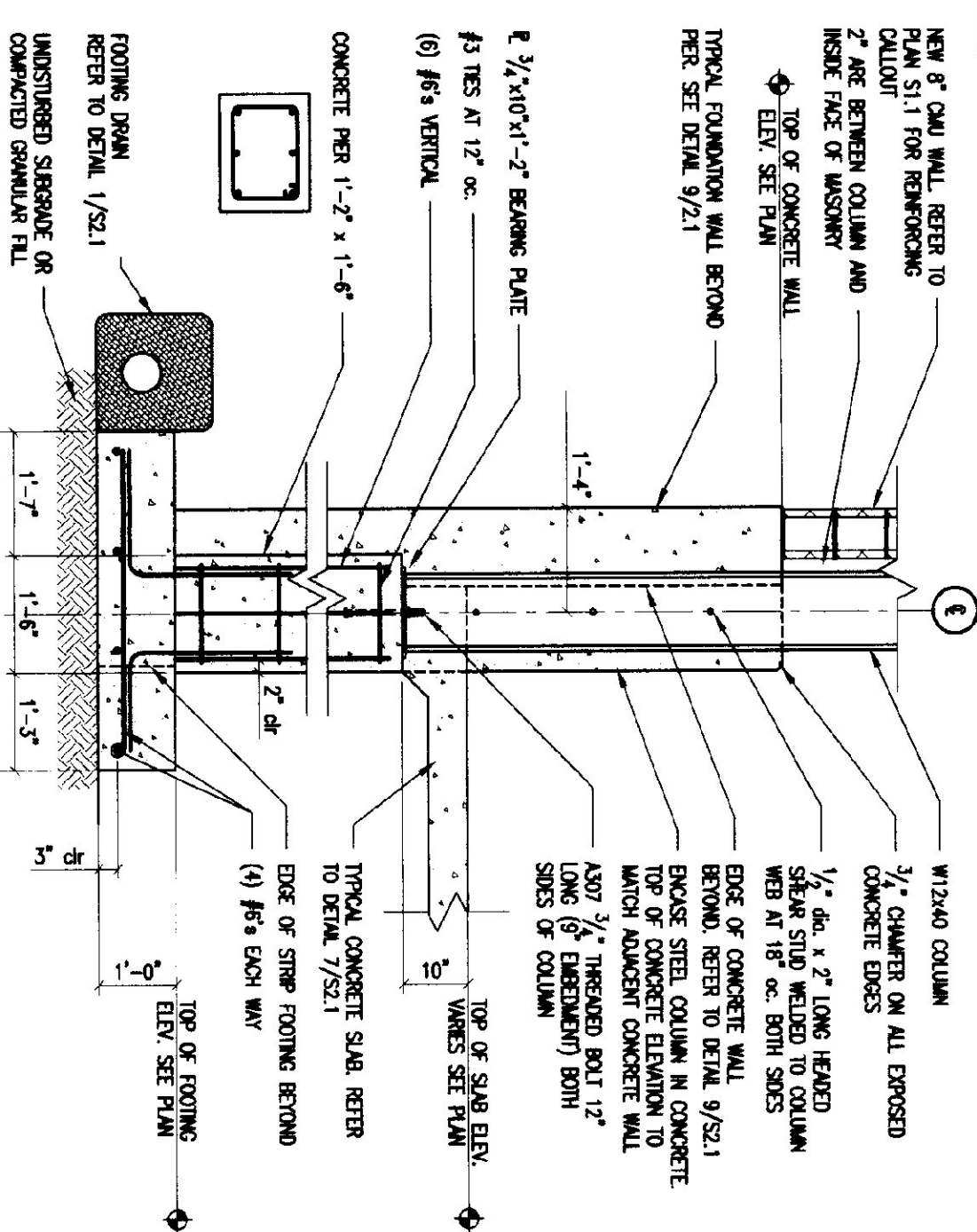
TYPICAL SLAB ON GRADE
7
1/2" = 1'-0"



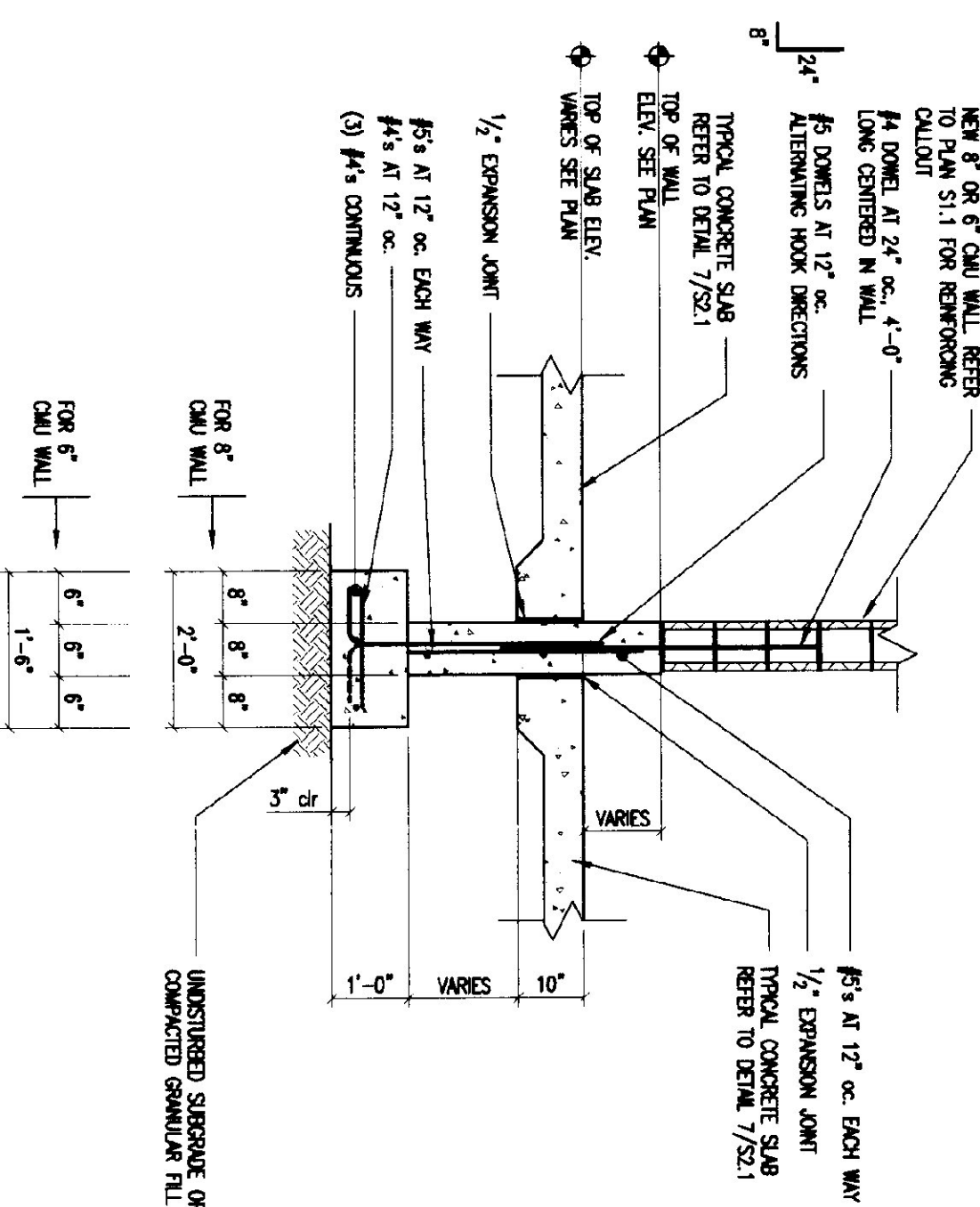
TYPICAL CONTROL JOINT AT COLUMN
8
3/4" = 1'-0"



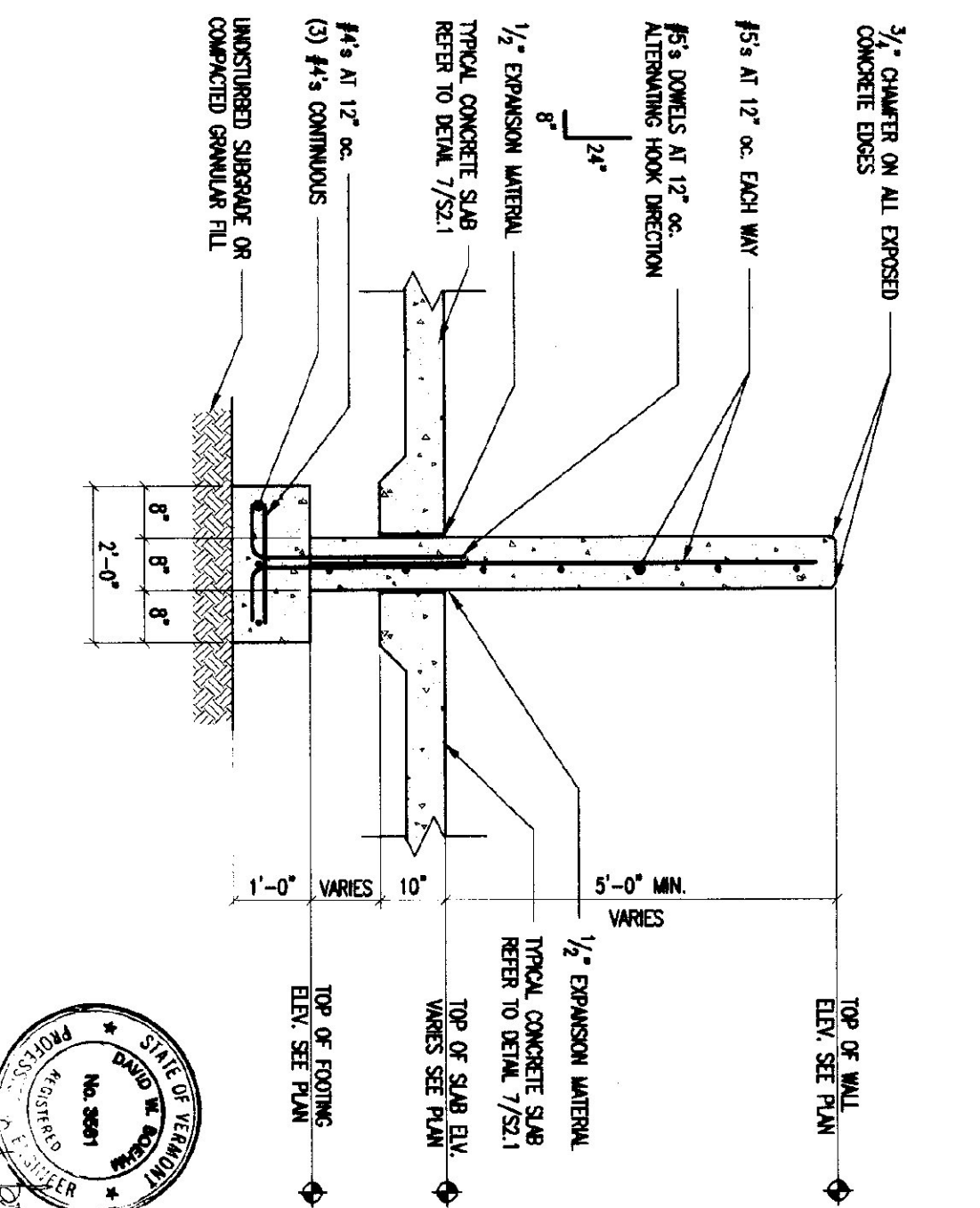
TYPICAL FOUNDATION WALL DETAIL
9
1/2" = 1'-0"



TYPICAL COLUMN PIER AND FOOTING DETAIL
10
1/2" = 1'-0"



TYPICAL INTERIOR STRIP FOOTING DETAIL
11
1/2" = 1'-0"



TYPICAL CONCRETE WALL DETAIL
12
1/2" = 1'-0"

