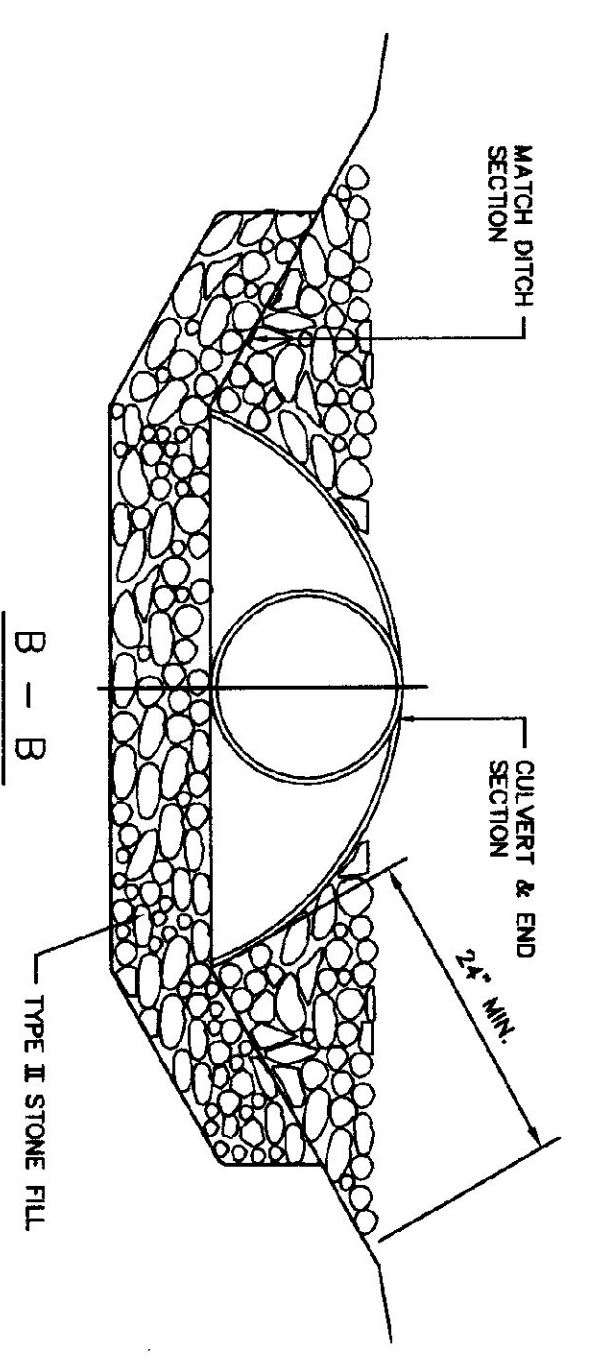
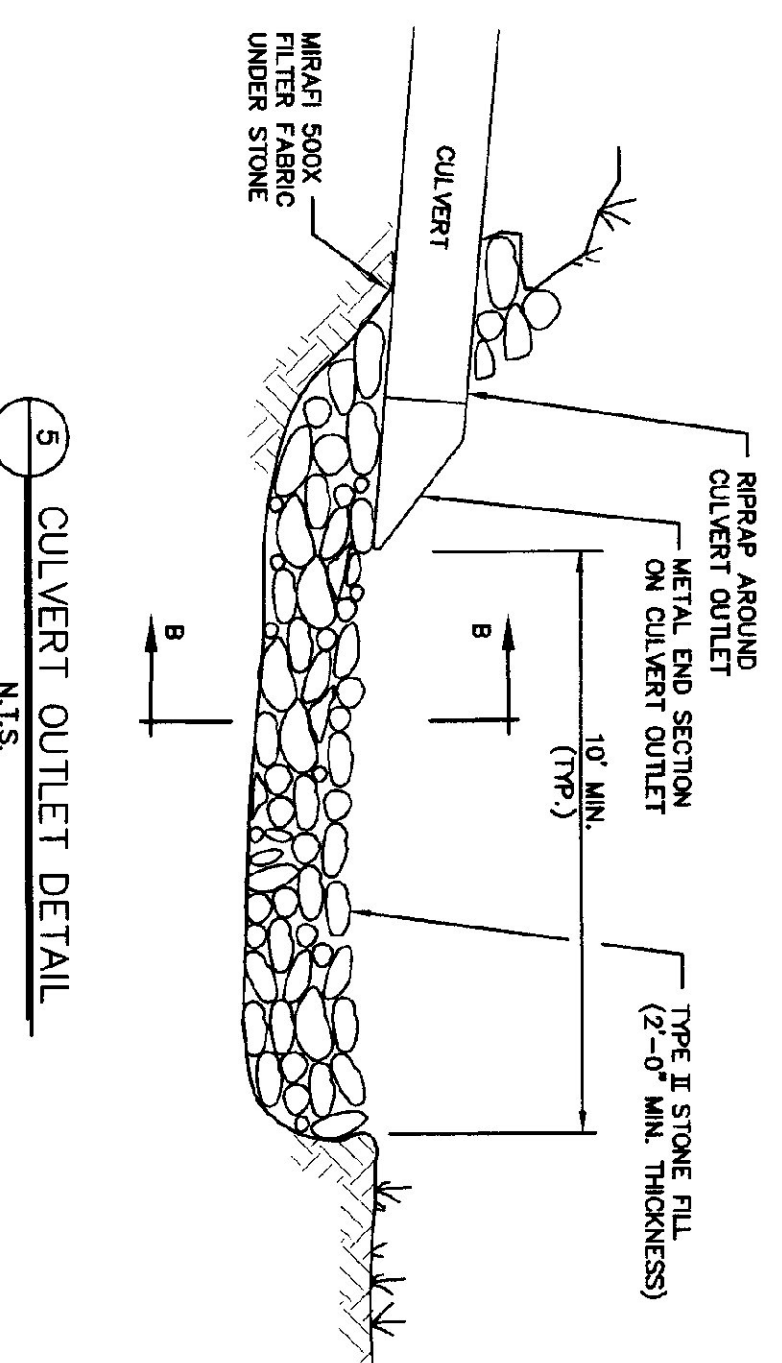


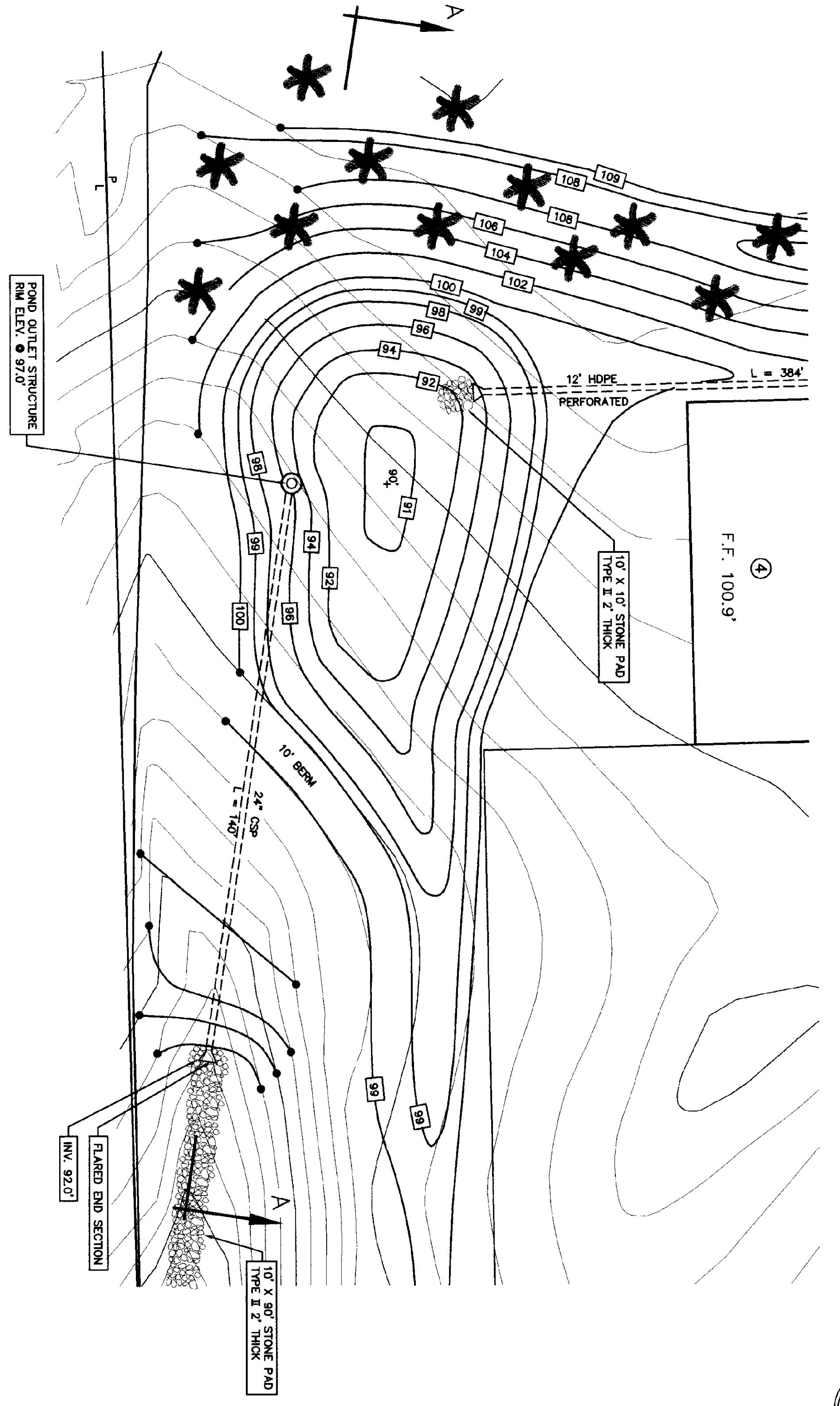
2 ANTI-SEEP COLLAR (2 EACH)
N.T.S.



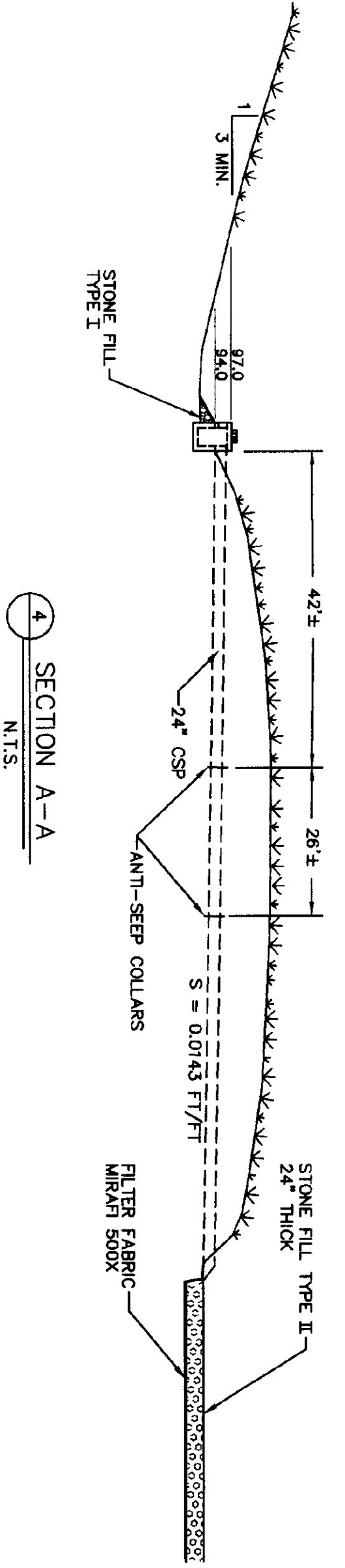
B - B
TYPE II STONE FILL



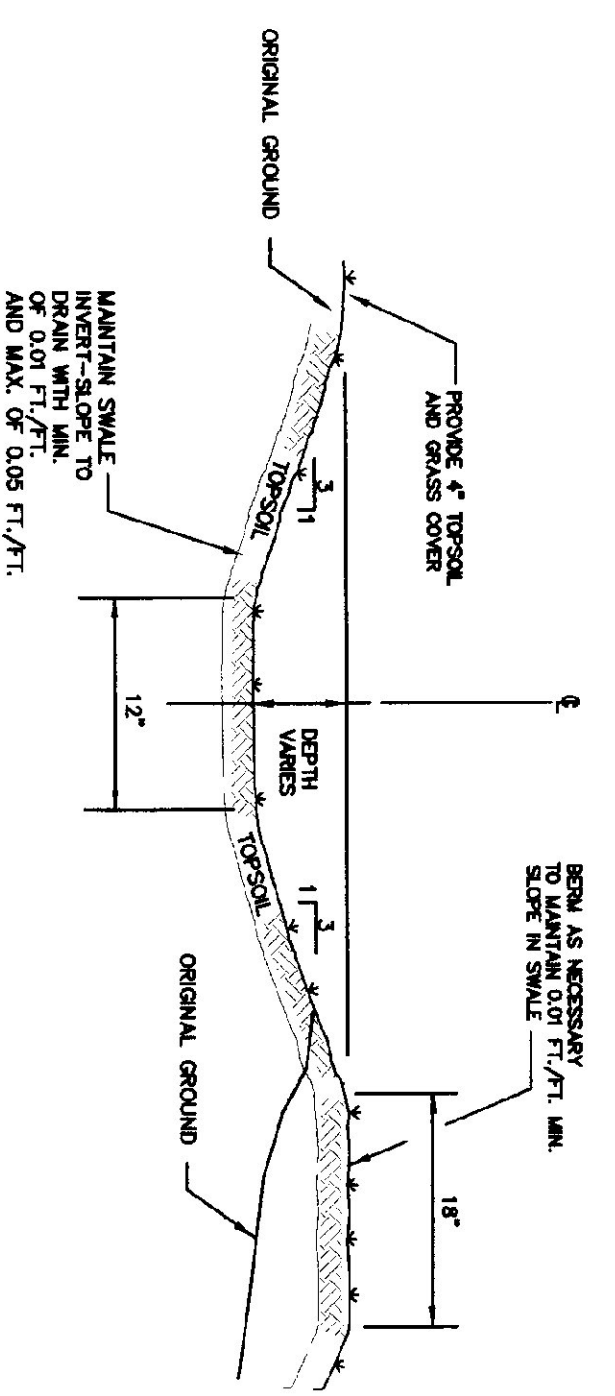
5 CULVERT OUTLET DETAIL
N.T.S.



3 DETENTION BASIN PLAN
SCALE: 1" = 20'



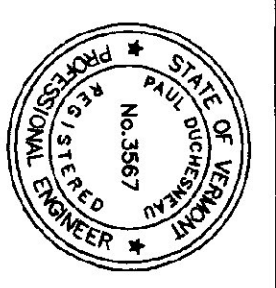
4 SECTION A-A
N.T.S.



6 TYPICAL SHALLOW DIVERSION SWALE
N.T.S.

DETENTION POND OPERATION & MAINTENANCE

- GENERAL: AT THE BEGINNING OF APRIL, EACH YEAR, AND AFTER EACH SIGNIFICANT STORM, INSPECT THE DETENTION POND FOR DAMAGE. PAY PARTICULAR ATTENTION TO THE EMBANKMENTS, THE INTERIOR, AND THE BOTTOM OF THE POND FOR EVIDENCE OF EROSION, DEPOSITION OF SEDIMENT, BUILDUP OF TRASH OR DEBRIS, OR ANY OTHER SIGN OF DAMAGE. ADDRESS PROBLEMS IMMEDIATELY.
- AQUATIC PLANTS: IF EXCESSIVE ALGAE OR BOTTOM VEGETATION IS OBSERVED, REMOVE IT. REMOVE IT BY HAND OR WITH A NET. THE BOTTOM WILL BE NECESSARILY FLATTENED BY THE NUTRIENT SOURCE ENTERING THE WATER COLUMN.
- SEDIMENT: IF THE SEDIMENT BUILDUP REQUIRES AN AVERAGE ELEVATION DURING THE DRY SEASON, WHEN THE POND CAN BE DRAINED COMPLETELY, ALLOW SUFFICIENT TIME TO DRAIN THE BOTTOM SOILS SO THAT MECHANICAL EXCAVATING EQUIPMENT CAN BE USED.
- GENERAL MAINTENANCE: THE POND AREA SHOULD BE INSPECTED ON A REGULAR BASIS. REMOVE AND RESPOND TO FLAUNTS SUCH AS TREE BRANCHES, LIMBER, LEAVES, STRAW, LITTER, ETC. PICK UP TRASH ALONG THE SHORE AND DISCHARGE SWALE. SCHEDULE REGULAR MOWING OF GRASS AROUND THE POND AND WITHIN THE DRY BANKS OF THE INTERIOR.



DORE AND WHITTIER INC.
ARCHITECTS • PROJECT MANAGERS
1795 WILLINGTON ROAD • SOUTH BURLINGTON • VERMONT
CHAMPLAIN CONSULTING ENGINEERS
180 FROM ROAD, P.O. BOX 403
COLCHESTER, VERMONT 05446
(802) 883-8300
(802) 883-8300
(802) 884-1876 FAX

STATE OF VERMONT
DEPARTMENT OF BUILDINGS
AND GENERAL SERVICES
AGENCY OF ADMINISTRATION
MONTPELIER, VERMONT

AGENCY OF TRANSPORTATION
COLCHESTER MAINTENANCE FACILITY
CHIMNEY CORNERS
VERMONT

SCALE: AS NOTED
DATE: OCT. 15, 1999
DRAWN BY: CCE
APPR. BY:

REVISIONS
11/30/99 EROSION CONTROL REVISIONS
1/8/00 GENERAL REVISIONS

STORMWATER DETENTION
MAINTENANCE GARAGE
C-3
4 OF 36