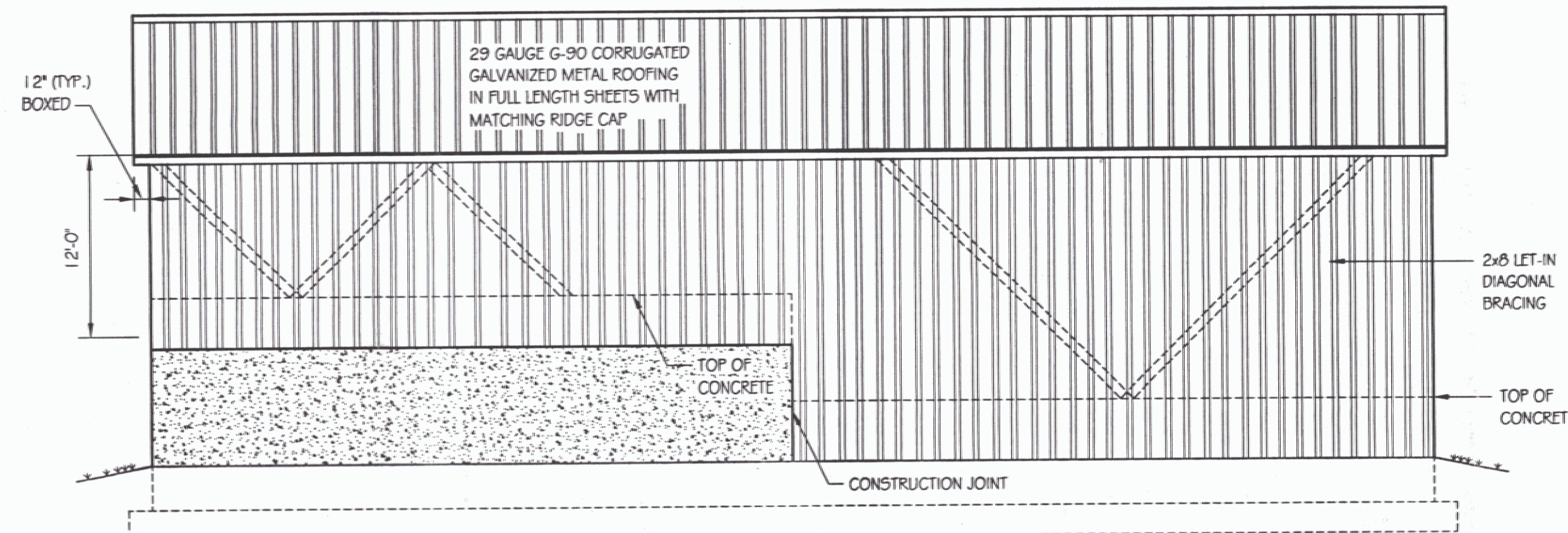
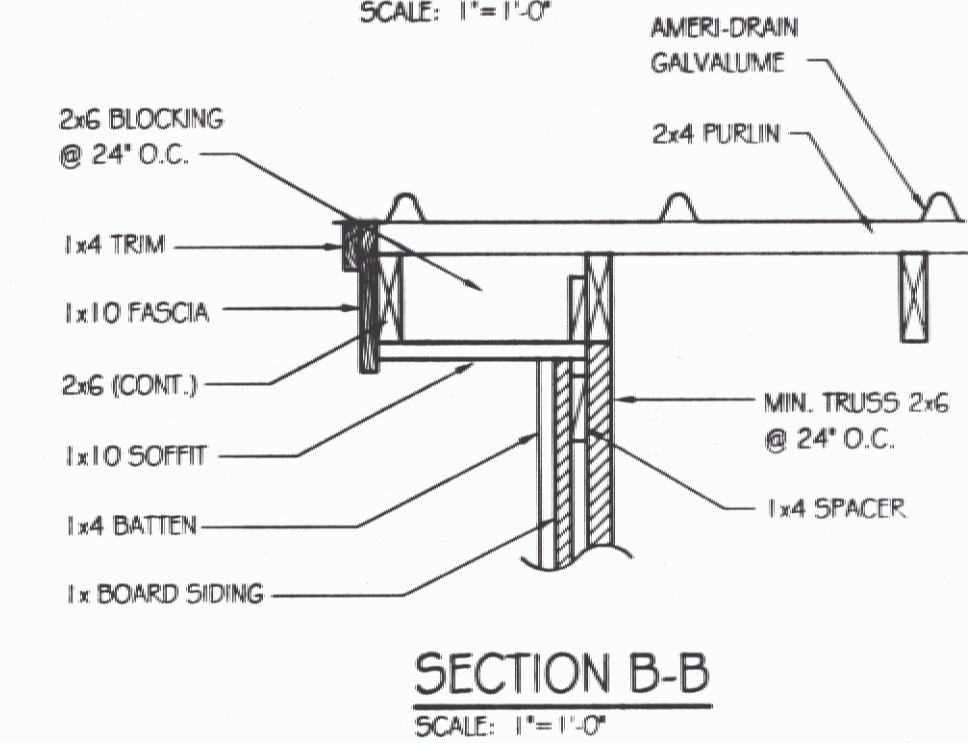
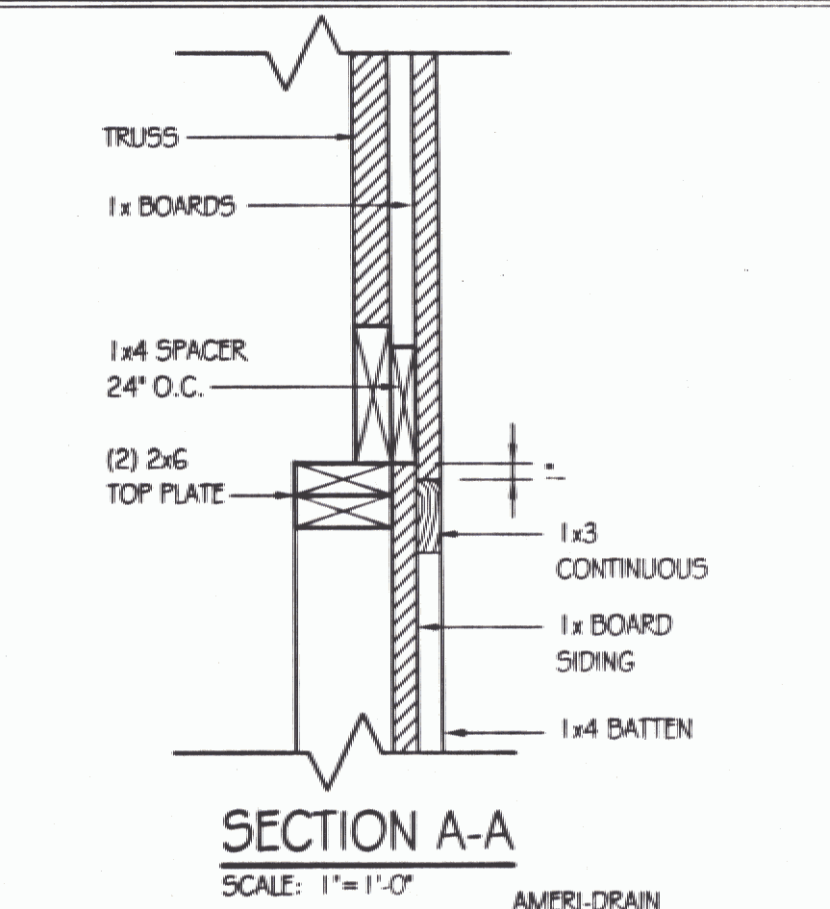
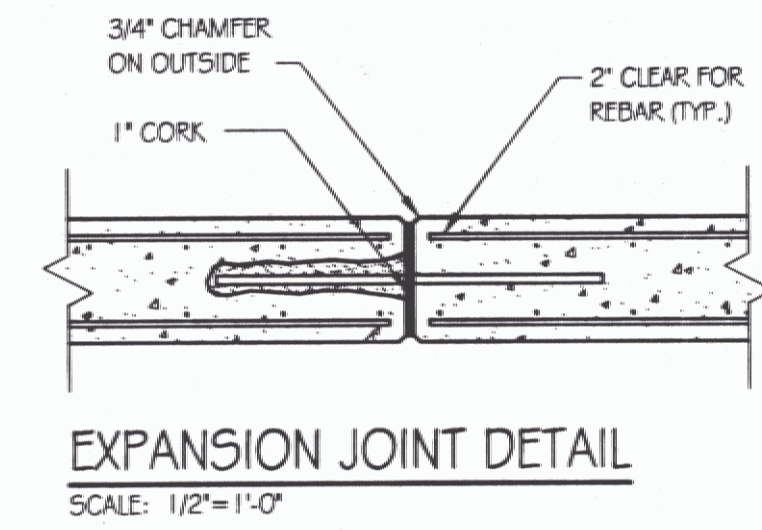
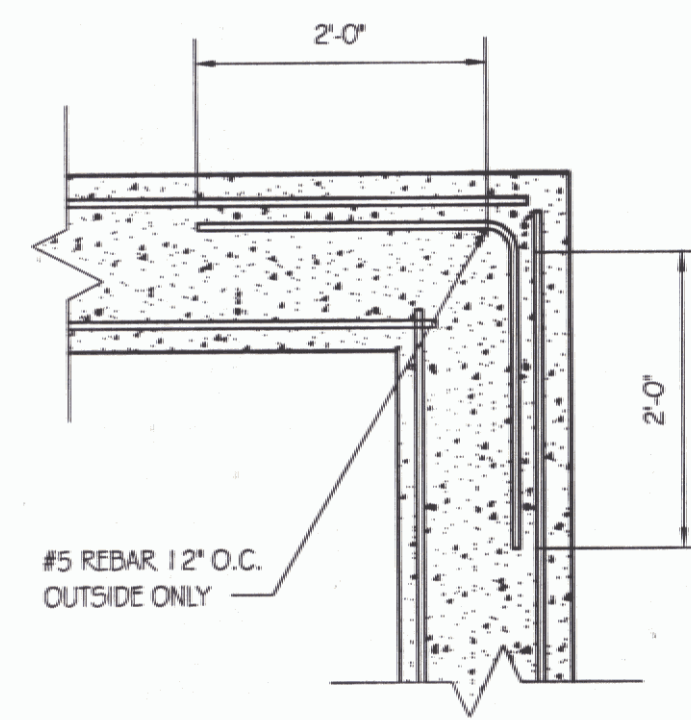
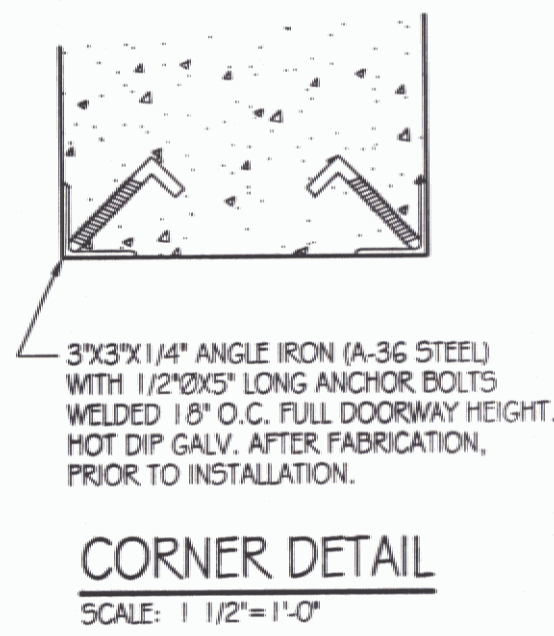
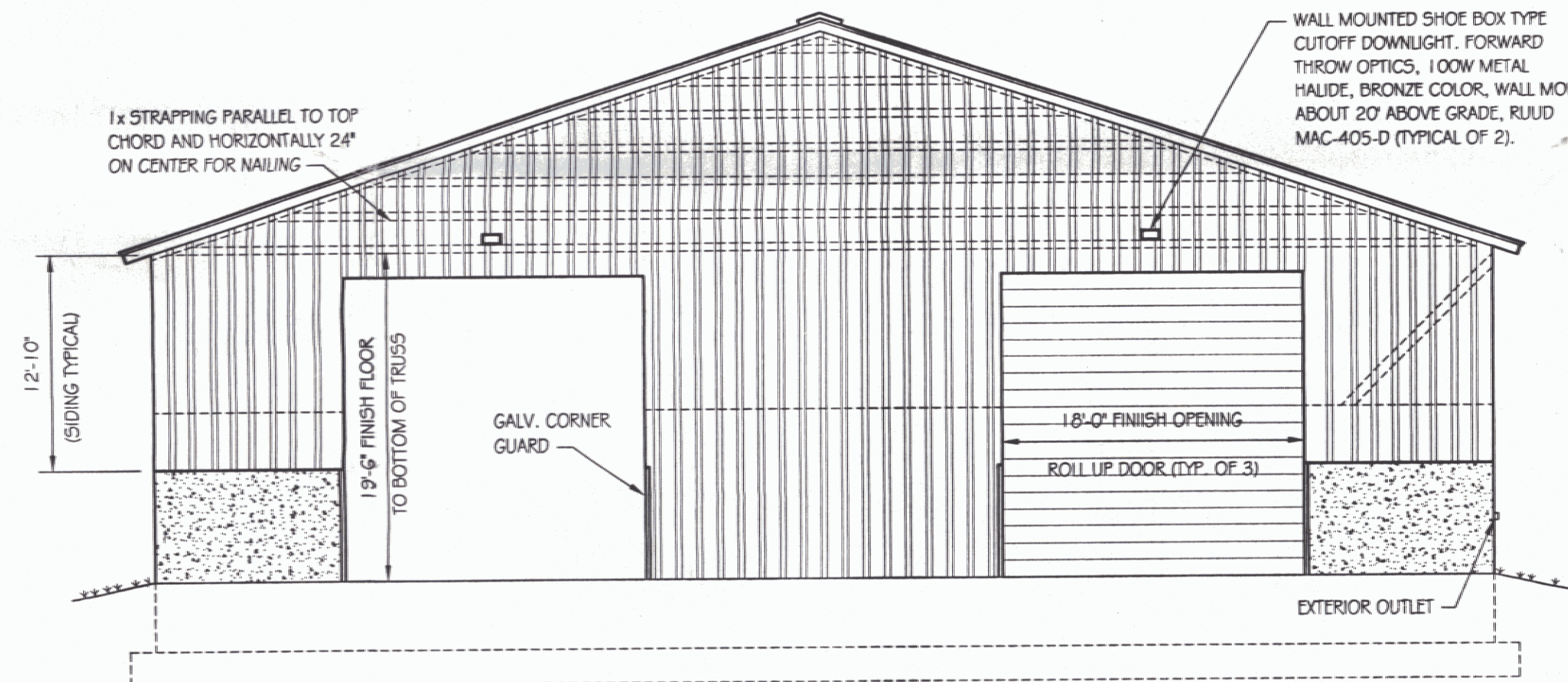


FOUNDATION PLAN
SCALE: 1/8"=1'-0"



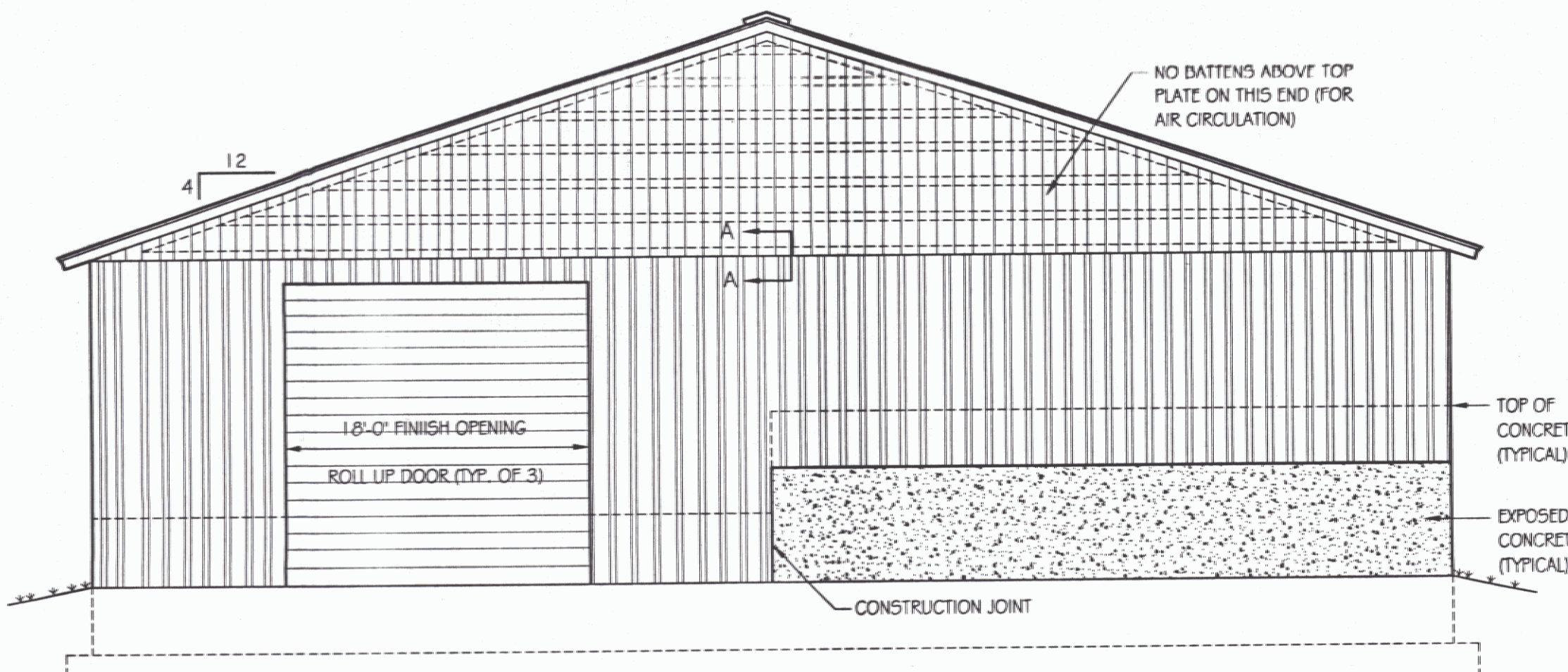
SIDE ELEVATION
SCALE: 1/8"=1'-0"



FRONT ELEVATION
SCALE: 1/8"=1'-0"

NOTE:

ALL ELECTRICAL CONDUIT BELOW GRADE AND ON THE EXTERIOR OF THE BUILDING SHALL BE 1" RIGID CONDUIT. CONDUIT INSIDE THE BUILDING SHALL BE 3/4" SCH. 80 PVC.



BACK ELEVATION
SCALE: 1/8"=1'-0"

GENERAL NOTES

TRUSS NOTES:
TRUSS MANUFACTURER TO PROVIDE DEPT. OF STATE BUILDINGS ENGINEER A SET OF ENGINEERED & STAMPED DRAWINGS FOR APPROVAL PRIOR TO TRUSS MANUFACTURE (ENGINEER MUST BE LICENSED IN VERMONT).

TRUSS MANUFACTURER TO PROVIDE THE CONTRACTOR WITH ALL NECESSARY INSTRUCTIONS FOR PROPER TRUSS INSTALLATION, ANCHORAGE, BRACING, LIFTING, ETC..

TRUSS DESIGN LOADS IN ACCORDANCE WITH THE 1987 B.O.C.A. FOR VERMONT.

MINIMUM LOADS:
LIVE - PER 1987 B.O.C.A. FOR VERMONT (40 PSF MIN.)
DEAD - AS CALCULATED FROM TRUSS & ROOF MATERIAL
5 PSF ON BOTTOM CHORD
WIND - 25 PSF
DIAGONAL WIND BRACING PER TRUSS MANUFACTURE.

LUMBER NOTES:
FRAMING MEMBERS TO BE KILN DRIED CONSTRUCTION GRADE SPRUCE 545 19% MOISTURE CONTENT.

PLATES & NAILERS IN CONTACT WITH CONCRETE TO BE CCA 0.40 TREATED

BOARD & BATTEN SIDING, TRIM, AND SOFFIT MATERIAL TO BE NATIVE ROUGH SAWN WHITE PINE, SPRUCE, EASTERN FIR OR RED PINE. BOARDS TO BE RANDOM WIDTH 8'-12" - BATTEN 3".

BOARD SIDING & BATTEN STRIPS TO BE FULL LENGTH (NO HORIZONTAL JOINTS).

ALL FASTENERS TO BE GALVANIZED AND SHALL BE APPROPRIATELY SIZED.

FINISH NOTES:
ALL BOARDS & BATTEN TO BE STAINED WITH ONE COAT (ALL SURFACES) PRIOR TO INSTALLATION. AFTER INSTALLATION EXTERIOR SIDING TO RECEIVE ONE ADDITIONAL COAT OF STAIN.

ROOFING COLOR: IVY GREEN (BY AMERI-DRAIN)

STAIN TO BE OLYMPIC OIL BASE SEMI-TRANSPARENT OXFORD BROWN #713

CONCRETE NOTES: PER A.O.T. STANDARD.
CONCRETE STRENGTH TO BE 3500 PSI

CONCRETE FINISH TO BE FLOATED.

CONCRETE TO BE CLASS "B" PER AOT STANDARD SPECIFICATIONS TABLE 501.03A WITH 5% ± 1% AIR ENTRAINMENT, AND 2'-4" SLUMP.

RE-BAR TO BE CONTINUOUS THROUGH CONSTRUCTION JOINTS.

CONTRACTOR TO LEAVE NO METAL WITHIN 1" OF SURFACE. USE 1" DEEP PLASTIC CONES AT ALL TIES AND PLUG ALL THE HOLES WITH AN APPROVED NON-SHRINK GROUT. OTHERWISE.

RE-BAR TO BE GRADE 60 WITH 3" CLEARANCE ON ALL SIDES UNLESS NOTED OTHERWISE.

RE-BAR TO BE STORED ON BLOCKING 4" MINIMUM ABOVE GROUND.

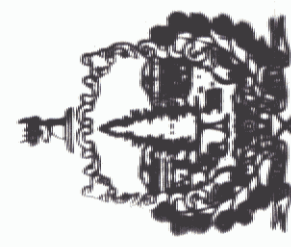
CONCRETE SUPPLIER TO PROVIDE TEST CYLINDERS FOR CONCRETE TESTING.

ALL CONCRETE TESTING TO BE DONE BY OWNER. CONTRACTOR IS RESPONSIBLE FOR SCHEDULING.

CONCRETE CURING SHALL FOLLOW IMMEDIATELY AFTER FORM REMOVAL PER A.O.T. STANDARD 501.17A. WATER CURING WILL BE REQUIRED, UNLESS ALTERNATE MEANS OF CURING IS APPROVED, IN WRITING, BY THE PROJECT ENGINEER.



STATE OF VERMONT
Department of Buildings
and General Services
Agency of Administration
Montpelier, Vermont



VERMONT

AGENCY OF TRANSPORTATION
NEW 80'x84' SALT SHED
PLAN, DETAILS & ELEVATIONS

BRIDPORT

REVISIONS

SCALE:	AS NOTED
DATE:	4/2004
DRAWN BY:	TJD
APPR. BY:	R. BARRY

AGENCY OF TRANSPORTATION
NEW 80'x84'
SALT SHED
PLAN, DETAILS
& ELEVATIONS

AI