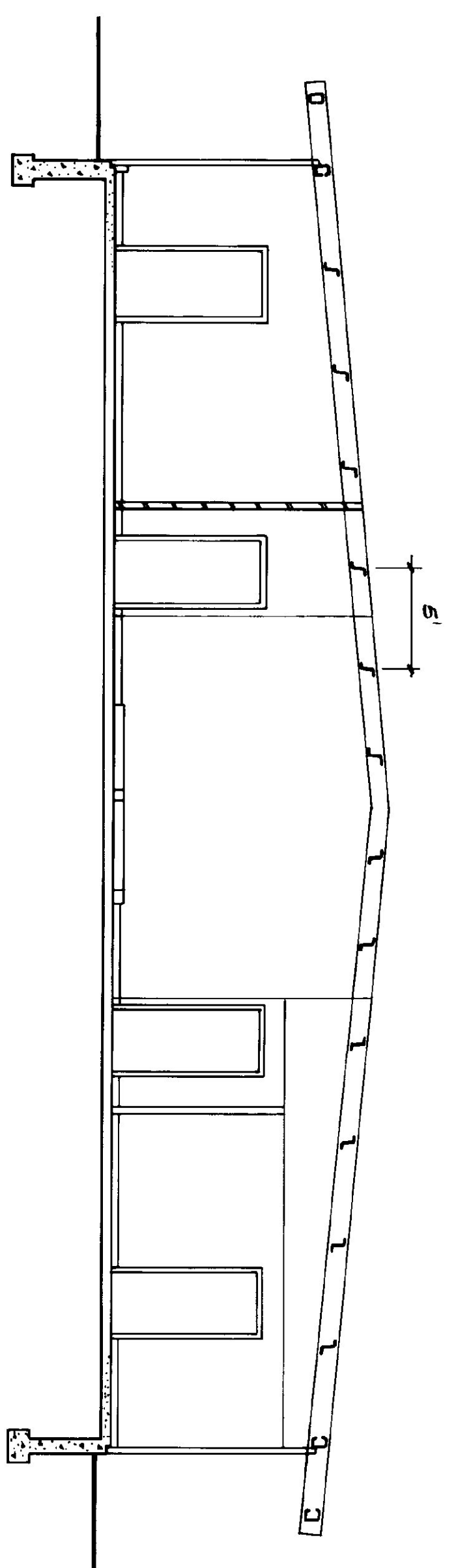
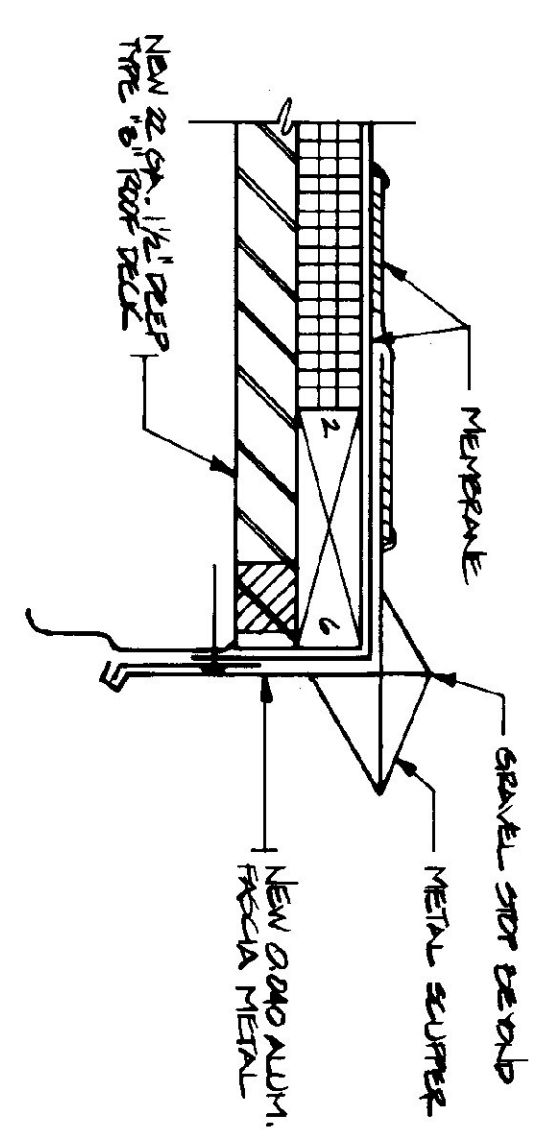


FRONT ELEVATION
SCALE: 3/16" = 1'-0"

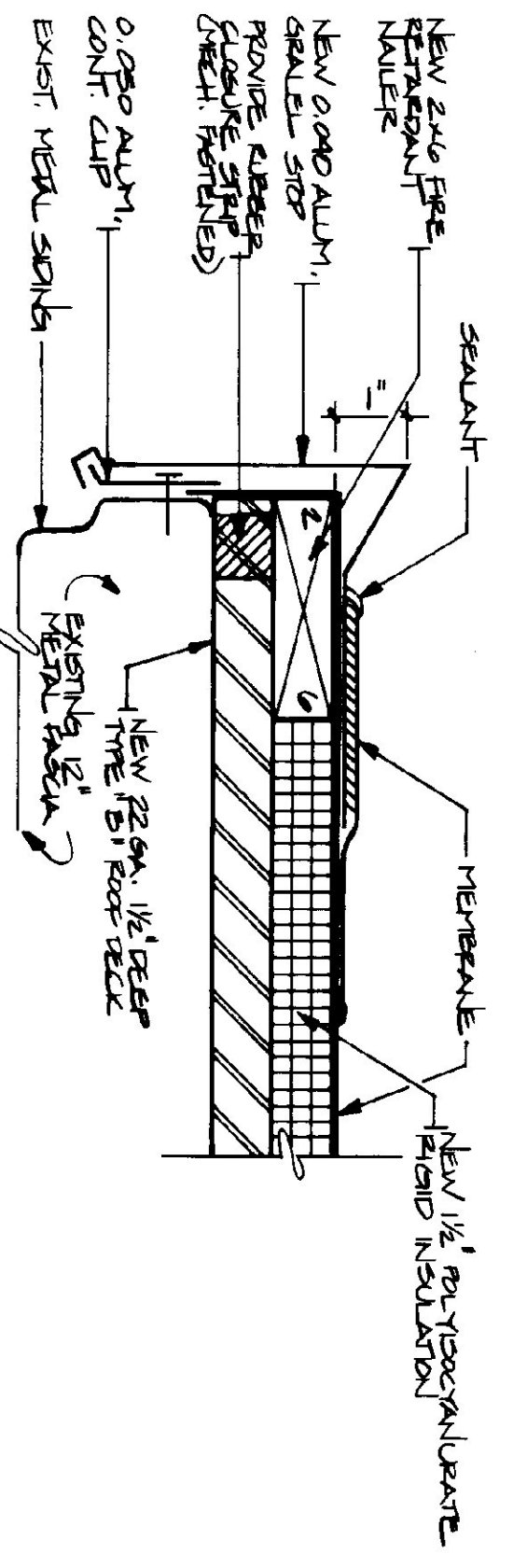
- NOTES:
- 1) INSTALL NEW 22 GA 1/2" DEEP TYPE "D" GALVANIZED ROOF DECKING, (2-90) NEW DECK TO BE PROVIDED WITH SELF-TAPPING SCREWS (PER MANUF. RECOMMENDATIONS)
 - 2) PROVIDE NEW 2 X 6 FIRE RESISTANT WOOD RAFTERS VALER.
 - 3) PROVIDE 1/2" THICK POLYISOCYANURATE INSULATION OVER NEW DECK.
 - 4) INSTALL NEW MECHANICALLY FASTENED SHINGLE - RY, 45 MIL. WHITE SHINGLE - BY HYBRON REINFORCED MEMBRANE.
 - 5) PROVIDE 0.020 ALUM. FASCIA METAL, 1" SEAL STOP ON RAKE EDGE.
 - 6) PROVIDE 0.020 ALUM. CONT. CLIP FOR FASCIA METAL.
 - 7) CONTRACTOR TO DISPOSE OF METAL ROOFING.



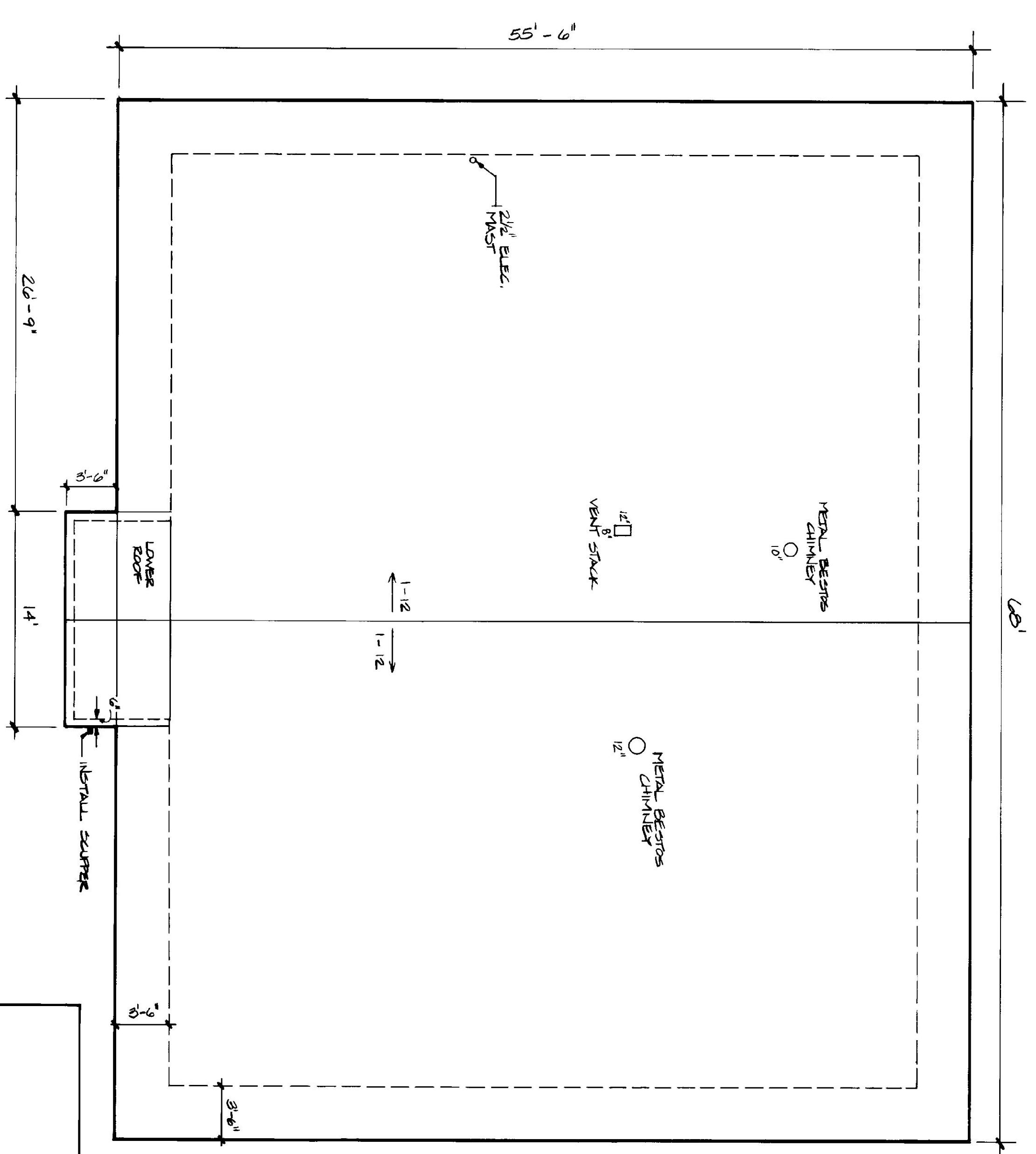
SECTION A-A
SCALE: 3/16" = 1'-0"



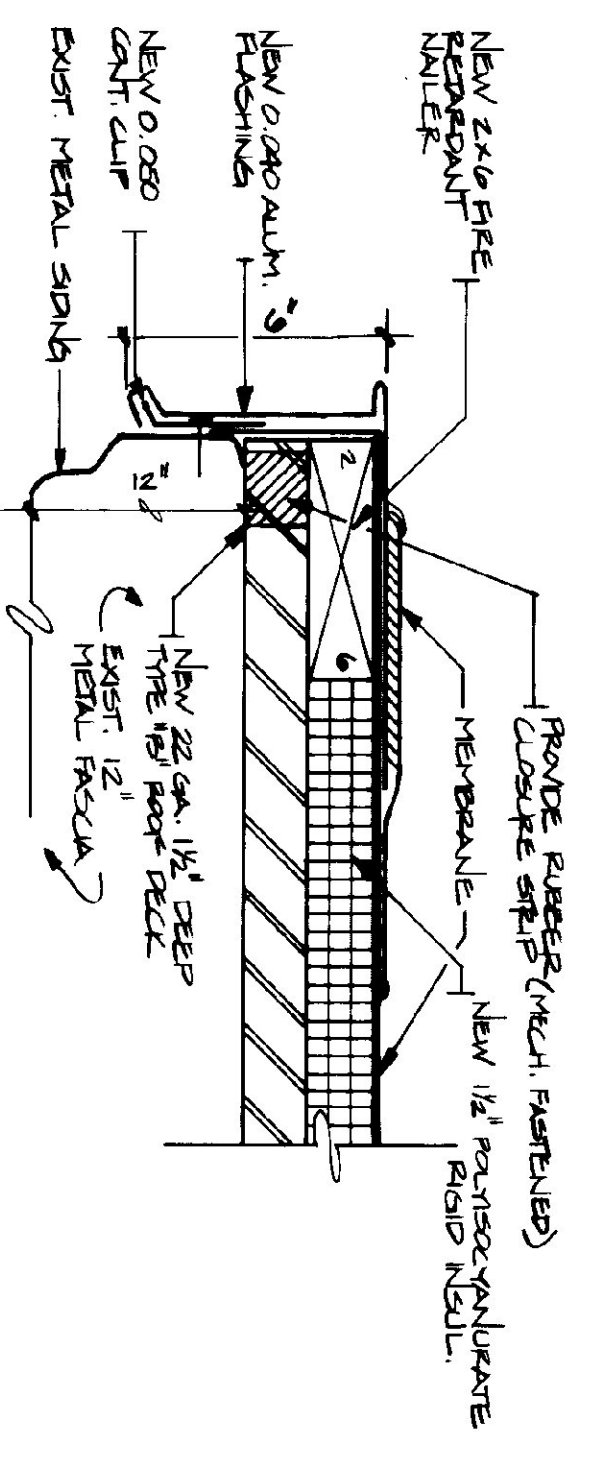
SCUPPER DETAIL
SCALE: 3" = 1'-0"



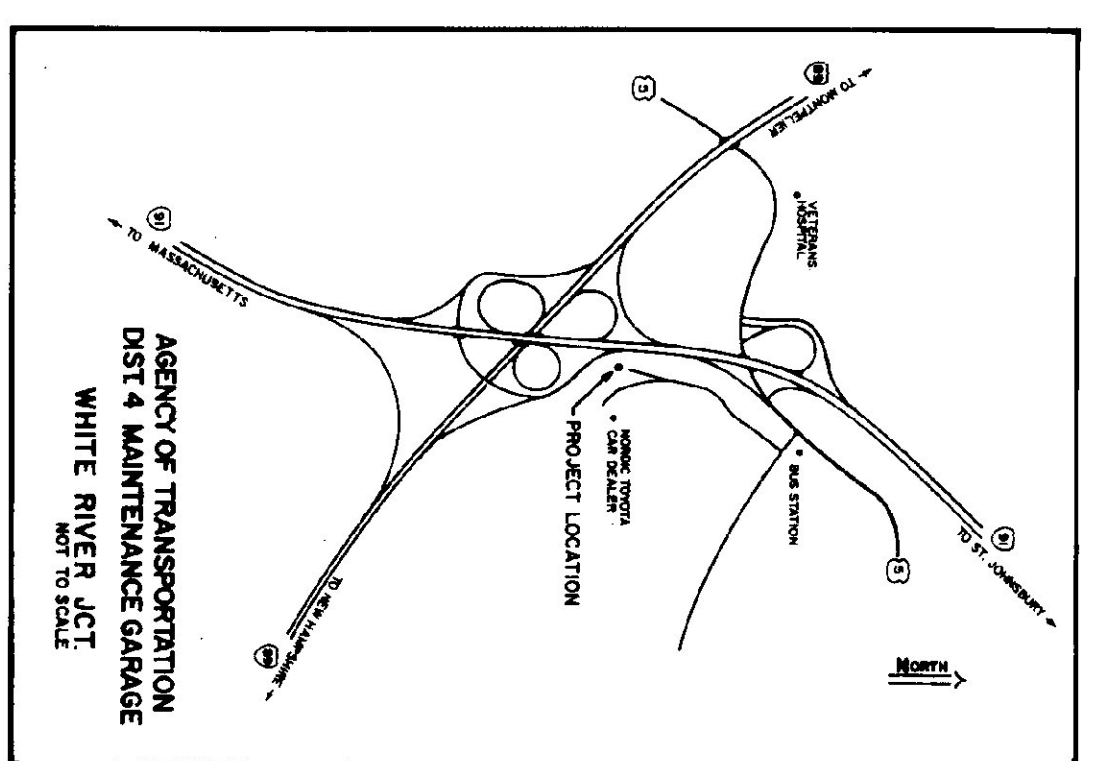
RAKE EDGE DETAIL
SCALE: 3" = 1'-0"



ROOF PLAN
SCALE: 3/16" = 1'-0"



DRIP EDGE DETAIL
SCALE: 3" = 1'-0"



STATE OF VERMONT DEPARTMENT OF STATE BUILDINGS AGENCY OF ADMINISTRATION MONTPELIER, VERMONT			STATE OF VERMONT DEPARTMENT OF TRANSPORTATION DISTRICT OFFICE REROOF		
WHITE RIVER					
DATE	SCALE	REVISIONS	DWG. NO.	VERMONT	
MAY 24, 1993	AS NOTED		R-1	1 of 1	
DRAWN BY:	APPROVED BY:				
S. MCANDY	F. FALLT				