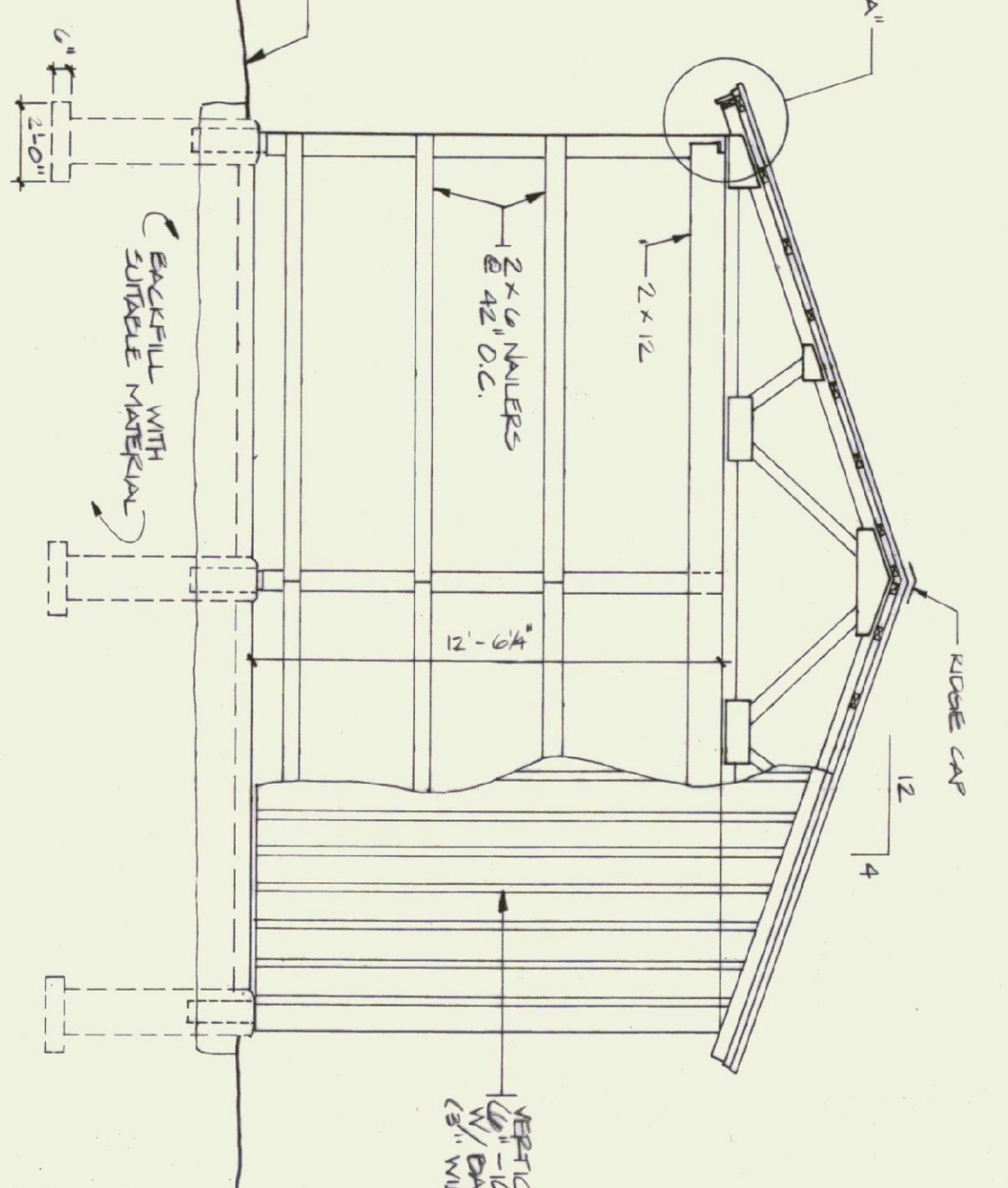
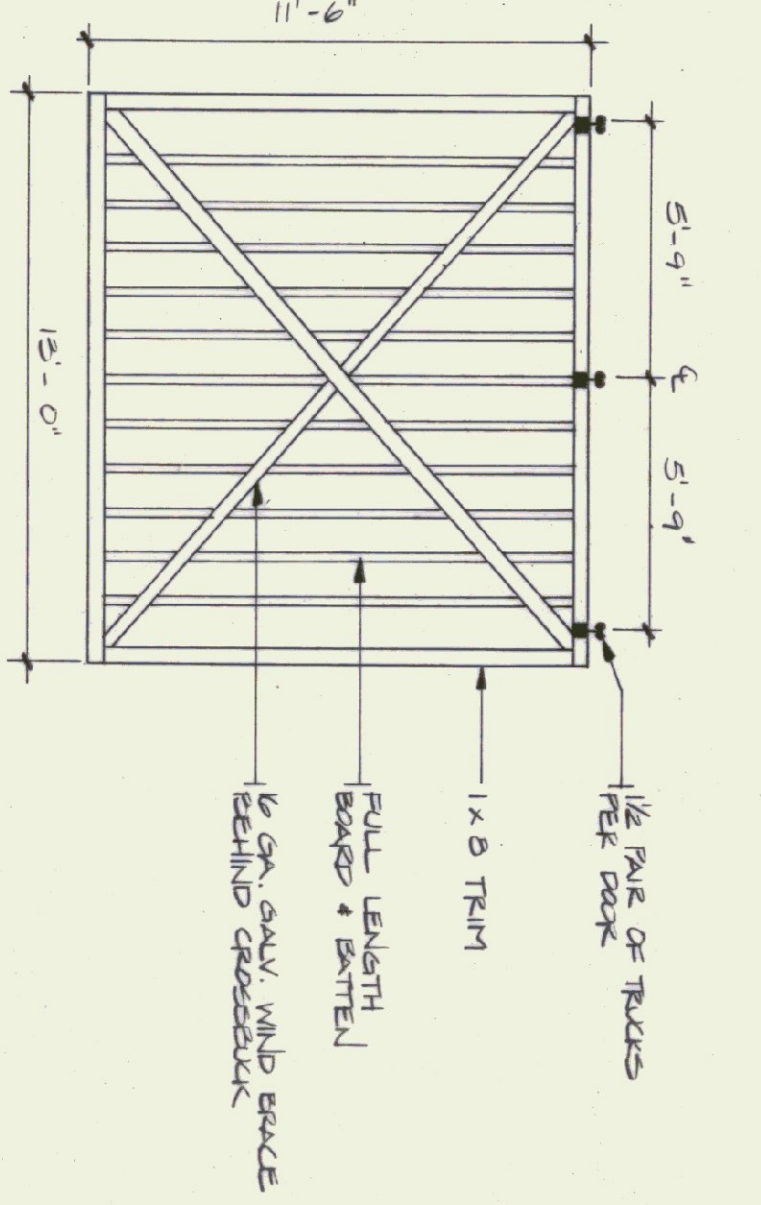


FRONT ELEVATION
SCALE: 1/4" = 1'-0"



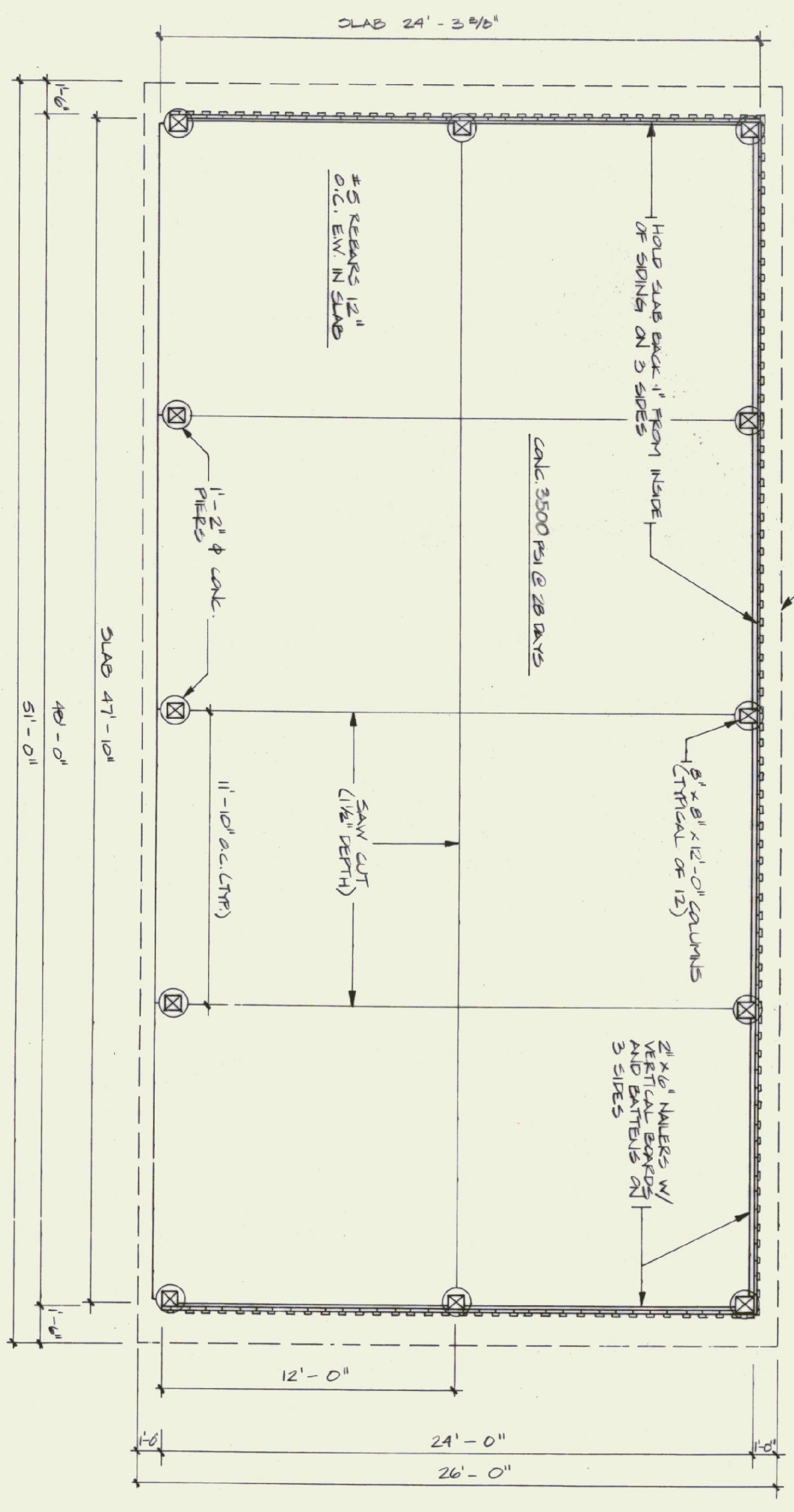
END ELEVATION
SCALE: 1/4" = 1'-0"



DOOR DETAIL
N.T.S. (TYPICAL OF 4)

- TRUSS NOTES:**
- 1) TRUSS MANUFACTURER TO REMOVE THE DEPT. OF STATE BUILDINGS ENGINEER A SET OF ENGINEERED & STAMPED DRAWINGS FOR APPROVAL PRIOR TO TRUSS MANUFACTURE.
 - 2) TRUSS MANUFACTURER TO REMOVE THE CONTRACTOR WITH ALL NECESSARY INSTALLATIONS FOR ROOF & FLOOR INSTALLATION, MECHANICAL, ELECTRICAL, PLUMBING, LIFTING, ETC.
 - 3) TRUSS DESIGN LOADS IN ACCORDANCE WITH THE 1987 B.O.C.A. MINIMUM LOADS:

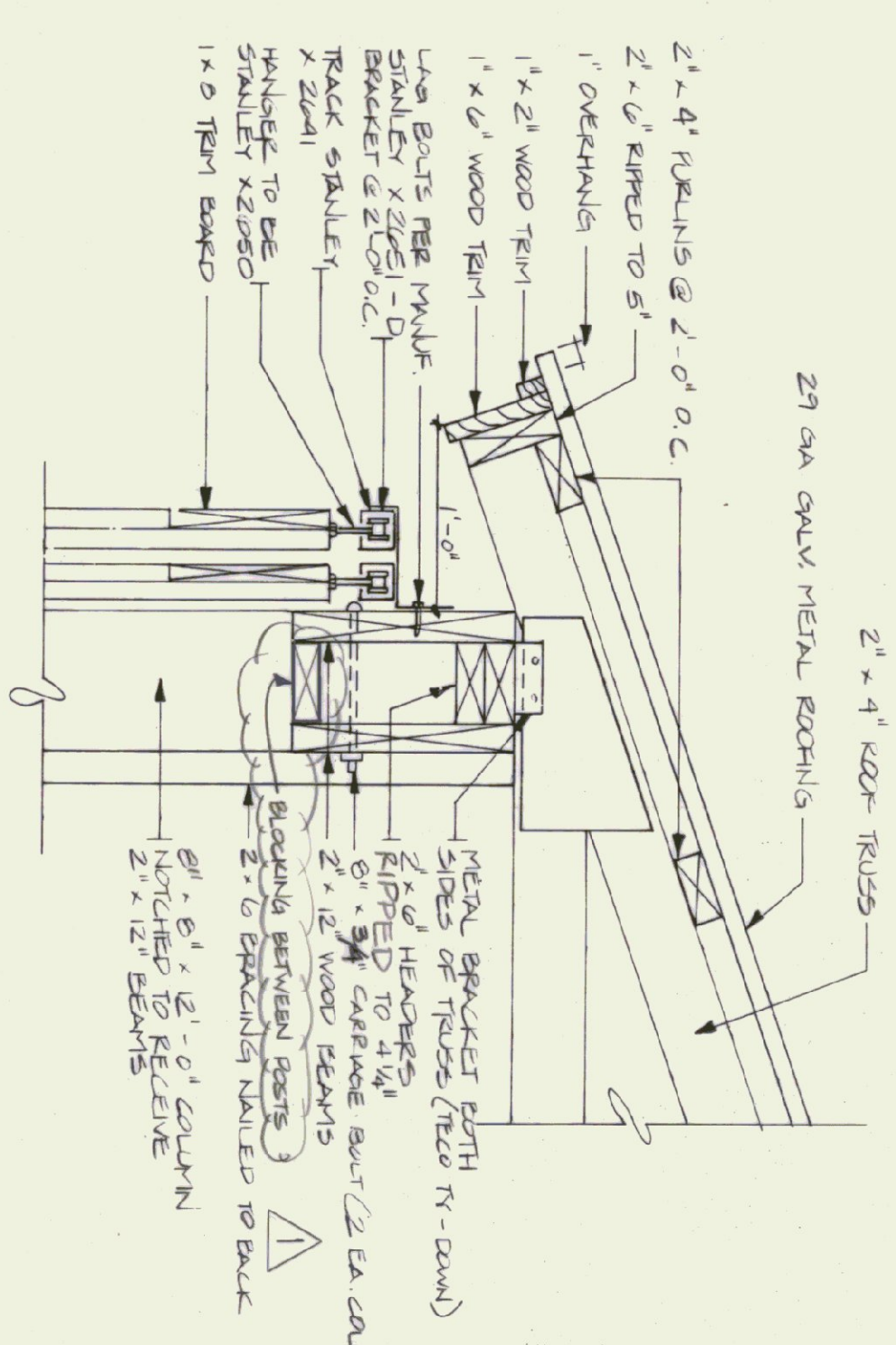
LIVE — FEB 1987 B.O.C.A. FOR VT (50 P.S.F. MIN.)
 DEAD — AS CALCULATED FROM TRUSSES & ROOF MATERIALS
 WIND — 25 P.S.F.
 DIAGONAL WIND BRACING PER TRUSS MANUF.



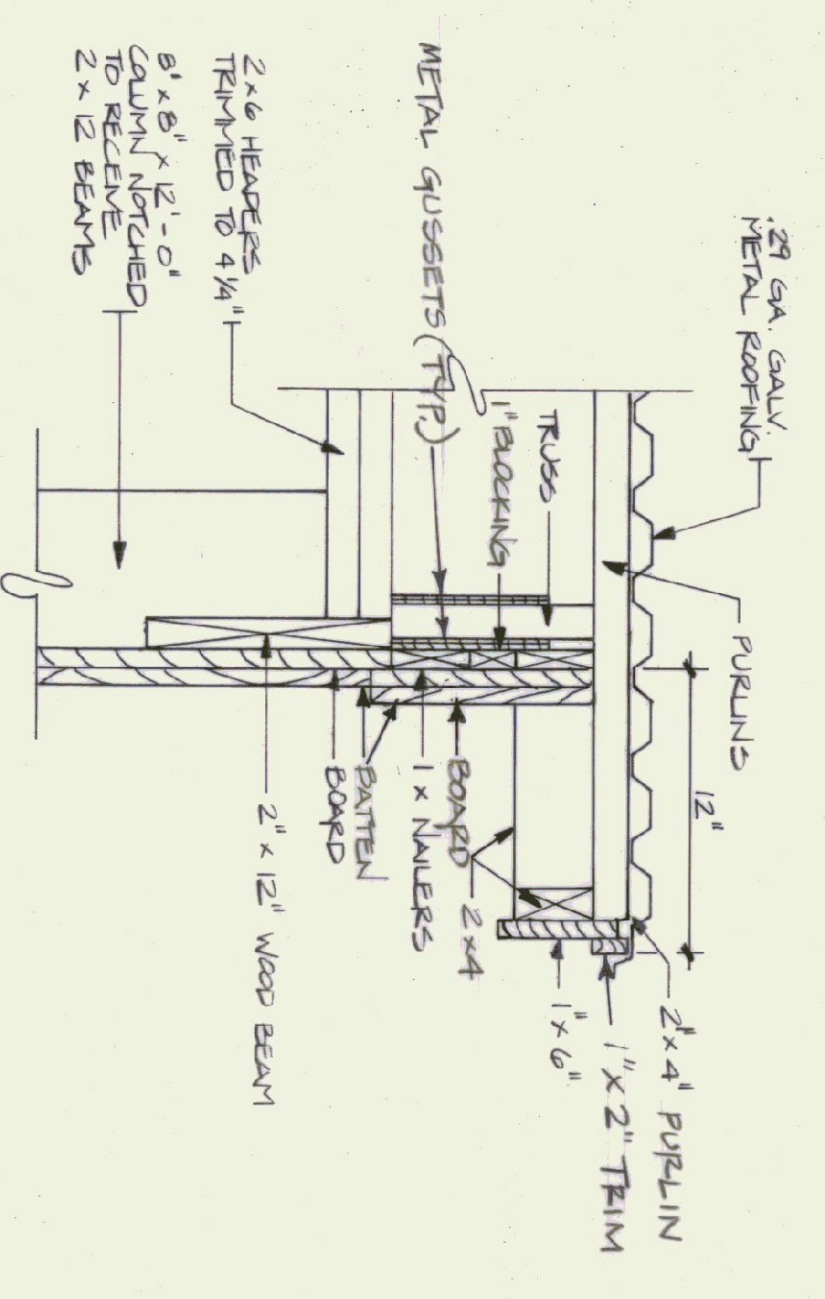
SHED PLAN
SCALE: 1/4" = 1'-0"

- CONCRETE REINFORCEMENT**
- FOOTINGS RECAST ON SITS 9-22 & 9-26-95.
 - SOUTHLIES ALONG THE SOUTHERN WALL & THE MIDDLE OF THE WEST WALL ON 10-2-95.
 - SOUTHWESTS REMAINING ON 10-3-95.
 - SLAB ON 10-10-95.

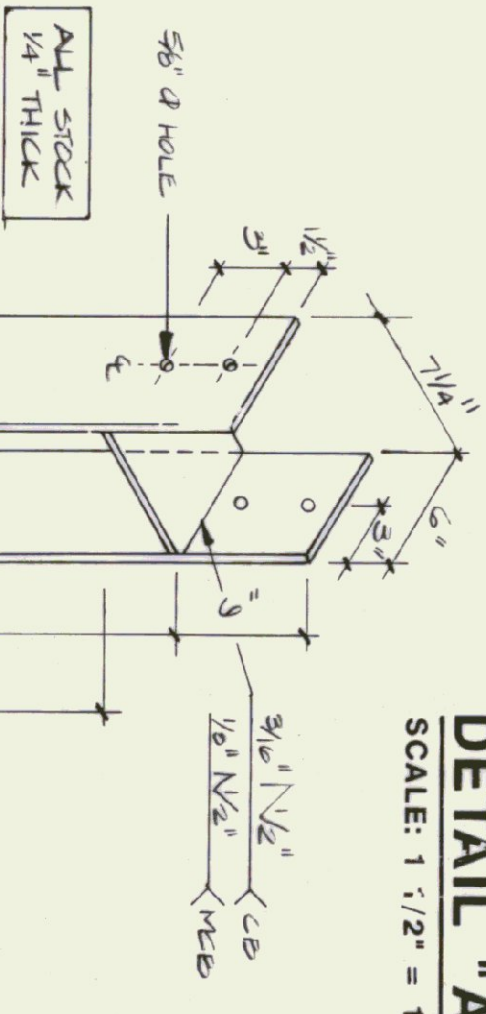
NOTE:
 USE # 5 REBARS @ 1'-0" O.C. EACH WAY WITH 2" COVER



DETAIL "A"
SCALE: 1 1/2" = 1'-0"



RAKE DETAIL
SCALE: 1 1/2" = 1'-0"



COLUMN BASE ANCHOR
SCALE: 1 1/2" = 1'-0"

As BUILT

STATE OF VERMONT DEPARTMENT OF STATE BUILDINGS AGENCY OF ADMINISTRATION MONTPELIER, VERMONT		AGENCY OF TRANSPORTATION 24' X 48' STORAGE SHED SUBSIDIARY MAINTENANCE FACILITY 3 BAY GARAGE	
DATE APRIL 21, 1995	SCALE AS NOTED	REVISIONS 01/21/95 JJA	DWG. NO. CSS-1
DRAWN BY A. POULIN	APPROVED BY R. TERREAU	VERMONT 8 OF 8	