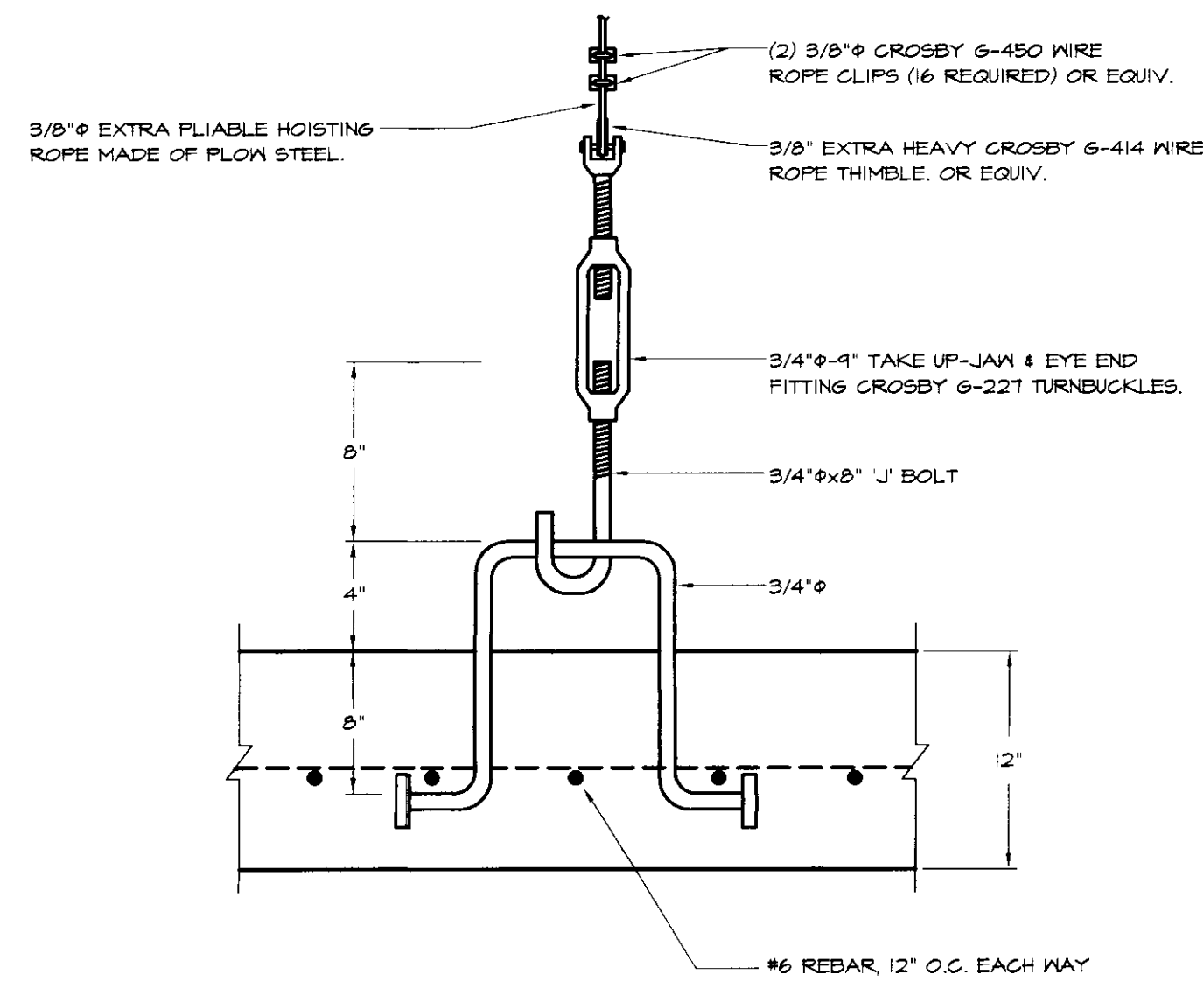


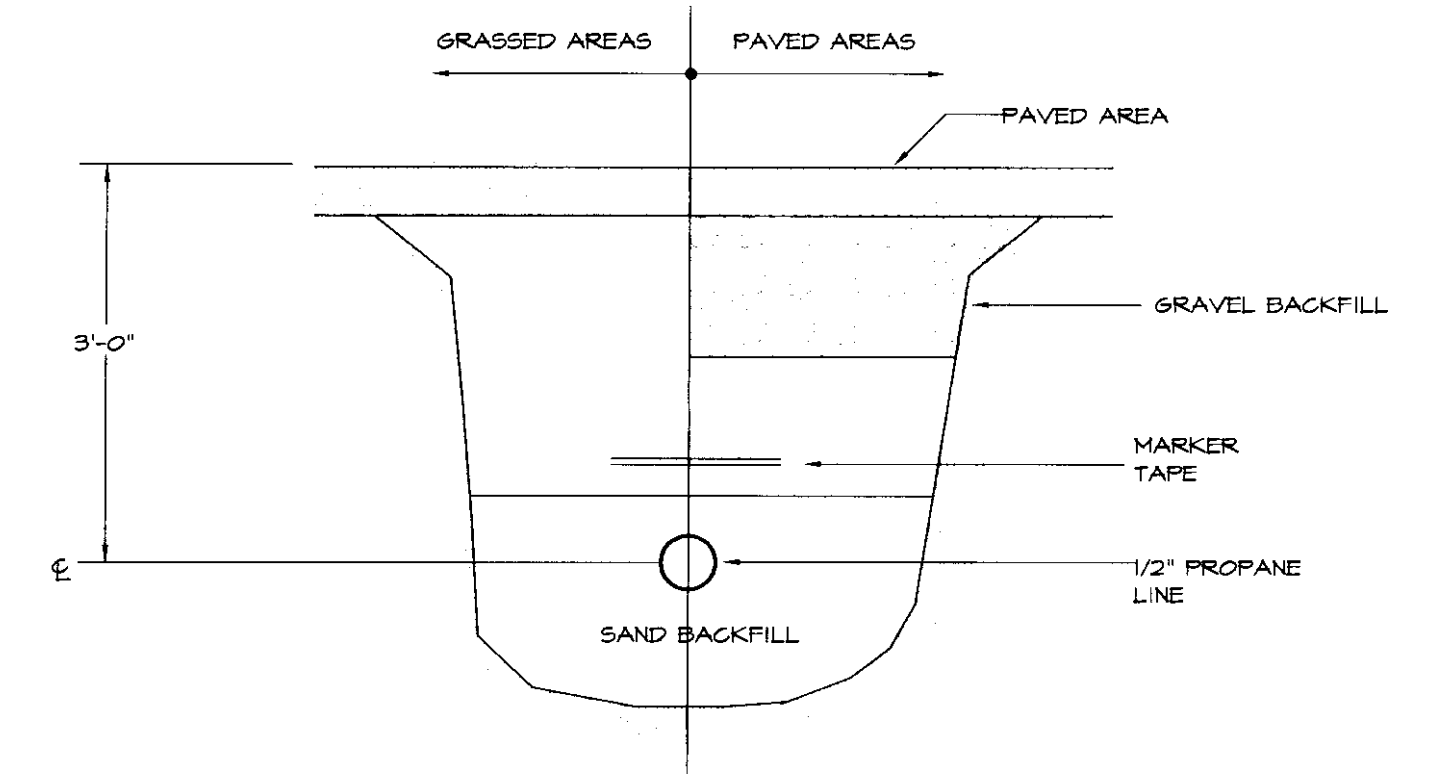
GAS FIRED UNIT HEATER SCHEDULE										PLAN SYMBOL
No.	MANUFACTURER	MODEL	CFM AT 0" E.S.P.	MBH LP GAS INPUT	MBH LP GAS OUTPUT	FAN DRIVE	MODEL			REMARKS
							H.P.	VOLT	PH	
GUH-1	REZNOR	UDBS-400	4100	400	328	BELT	2	240	1	NOTE 1
GUH-2	REZNOR	UDBS-400	4100	400	328	BELT	2	240	1	NOTE 1
GUH-3	REZNOR	UDBS-150	1537	150	124.5	BELT	1/4	115	1	NOTE 1
GUH-4	REZNOR	UDBS-45	456	45	36.9	BELT	1/6	115	1	NOTE 2

NOTES:
 1) PROVIDE ALL STANDARD FEATURES INCLUDING THE FOLLOWING FACTORY INSTALLED OPTIONS: PROPANE SERVICE, TWO STAGE CONTROL, 409 STAINLESS STEEL HEAT EXCHANGER, ADJUSTABLE BELT DRIVE MOTOR, TOTALLY ENCLOSED MOTOR, BLOWER AND BELT GUARDS. PROVIDE THE FOLLOWING FIELD INSTALLED ACCESSORIES: COMBUSTION AND VENT KIT, TWO STAGE THERMOSTAT.
 2) PROVIDE ALL STANDARD FEATURES INCLUDING THE FOLLOWING FACTORY INSTALLED OPTIONS: PROPANE SERVICE, TWO STAGE CONTROL, 409 STAINLESS STEEL HEAT EXCHANGER, ADJUSTABLE MULTI-TAP DIRECT DRIVE MOTOR, DUCT FLANGE, TOTALLY ENCLOSED MOTOR, BLOWER GUARD. PROVIDE THE FOLLOWING FIELD INSTALLED ACCESSORIES: COMBUSTION AND VENT KIT, TWO STAGE HEATING THERMOSTAT.

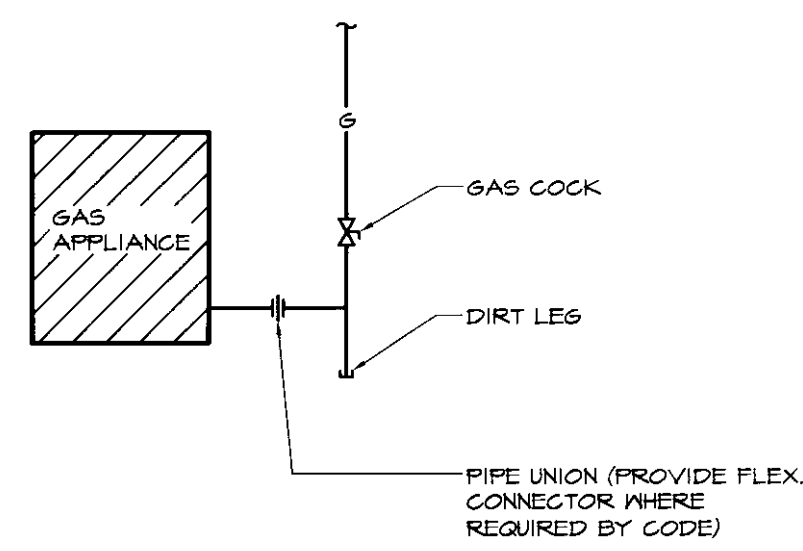


TANK ANCHOR BOLT DETAIL
NOT TO SCALE

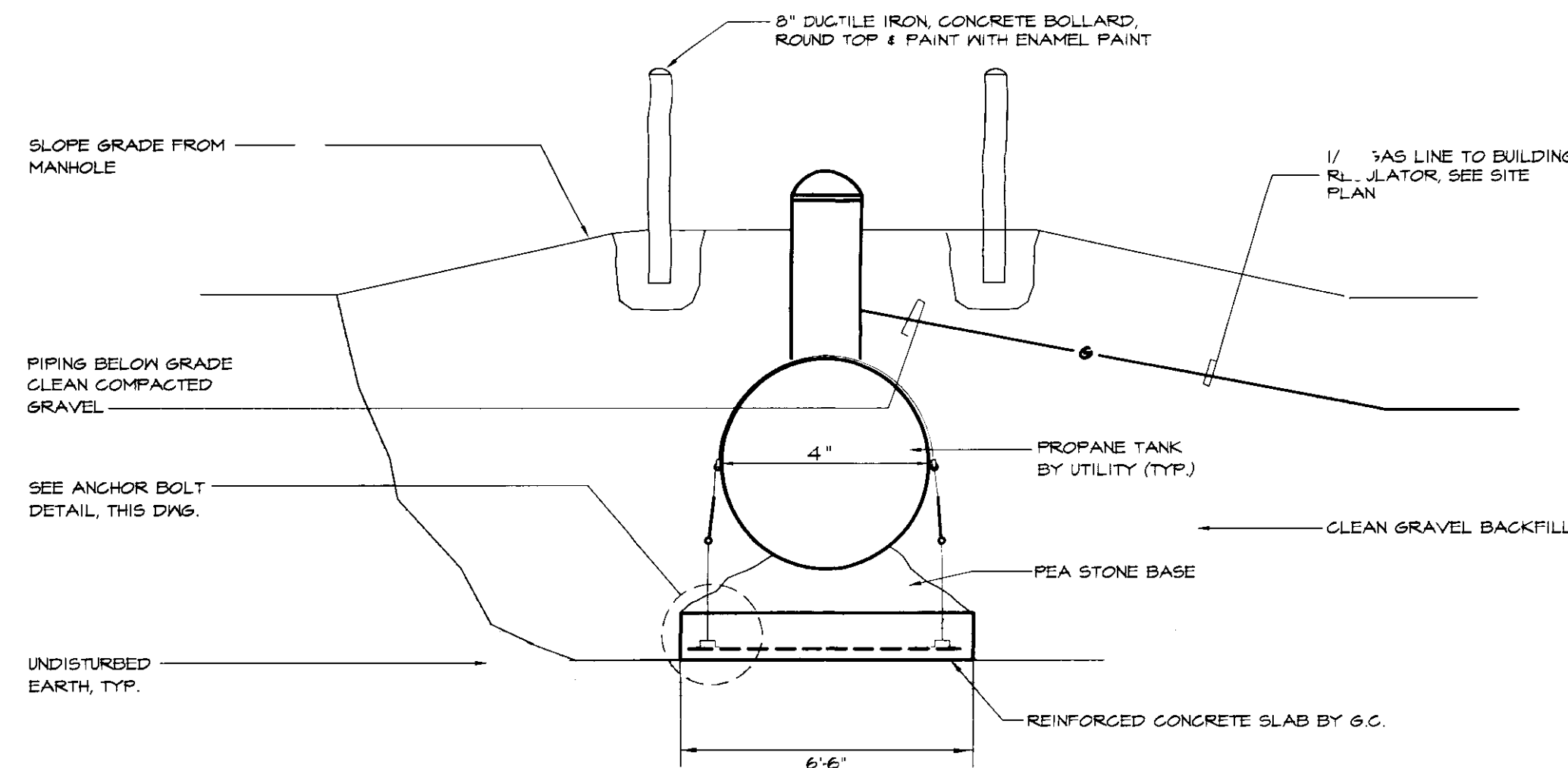
NOTE:
TANK, REGULATORS, PIPING AND ACCESSORIES INCLUDING 1ST AND 2ND STAGE REGULATORS TO BE FURNISHED AND INSTALLED BY OWNER.



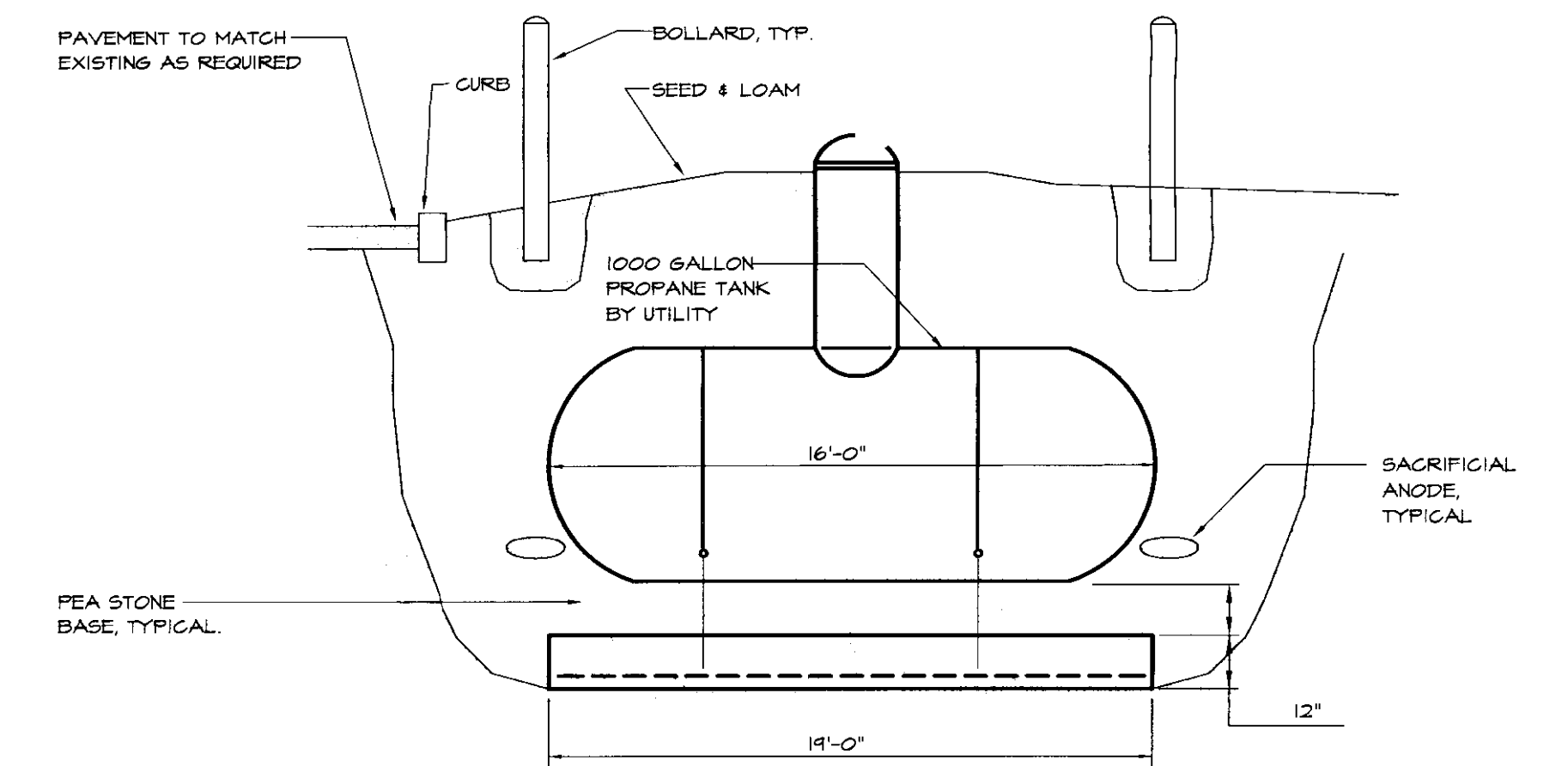
PROPANE SUPPLY PIPE TRENCHING DETAIL
NOT TO SCALE



GAS APPLIANCE CONNECTION DETAIL
NOT TO SCALE



UNDERGROUND PROPANE TANK DETAILS
NOT TO SCALE



X:\031204-rut\Drawings\Mech\031204M03.dwg, M3, 06/15/2004 10:02:35 AM, © LANE ASSOCIATES CONSULTING ENGINEERS PC, 2004

PROGRESS PRINTS NOT FOR CONSTRUCTION			
	3	REVISED FOR REPRICING	JUNE 2004
	2	BIDDING AND CONSTRUCTION	JAN 2004
	1	OWNERS REVIEW	JAN 2004
	NO.	ISSUED FOR	DATE



HEATING, VENTILATION, & AIR CONDITIONING,
PLUMBING, FIRE PROTECTION, & ELECTRICAL

CHARLES F. LANE, P.E.
DANIEL W. DUPRAS, P.E.

51 KILLINGTON AVENUE,
RUTLAND, VERMONT 05701
TELEPHONE: (802)747-3346
FAX/MODEM: (802)747-3356

MECHANICAL SCHEDULES AND DETAILS				M 3			
RUTLAND AOT GARAGE DISTRICT 3 RUTLAND, VT 05701 NEW HEATING SYSTEM							
APPR.	DWD	DRAWN:	KFC		SCALE:	AS NOTED	PROJ. NO.