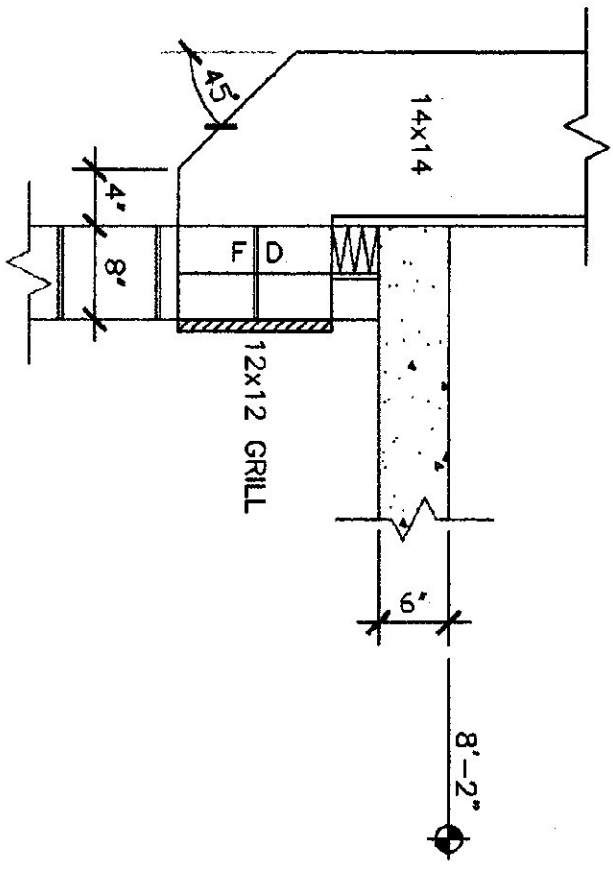
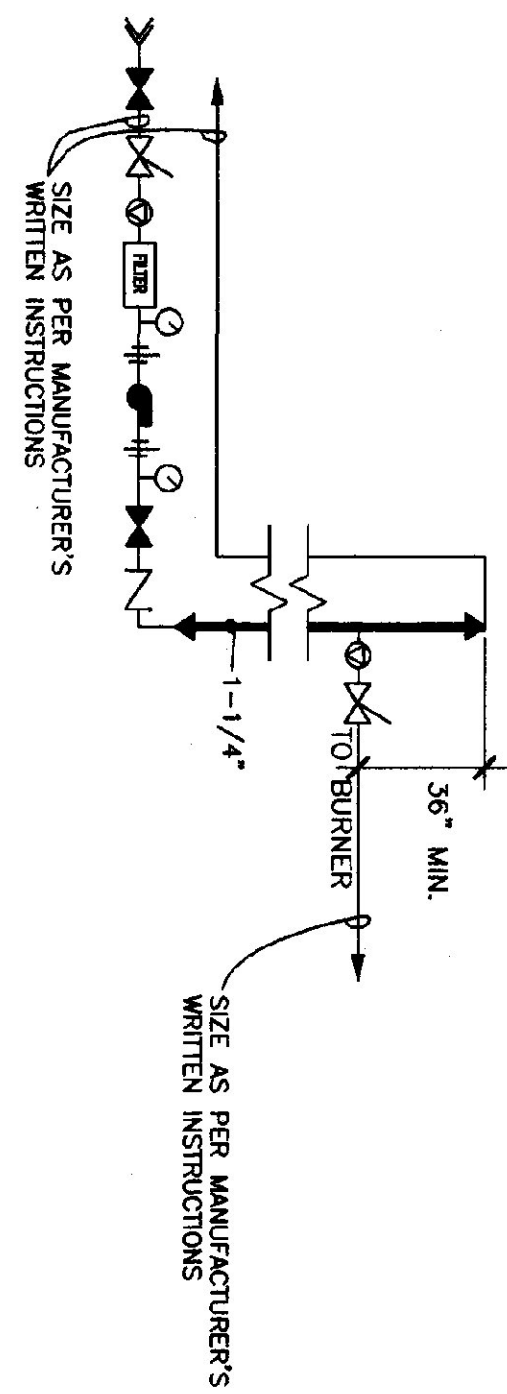


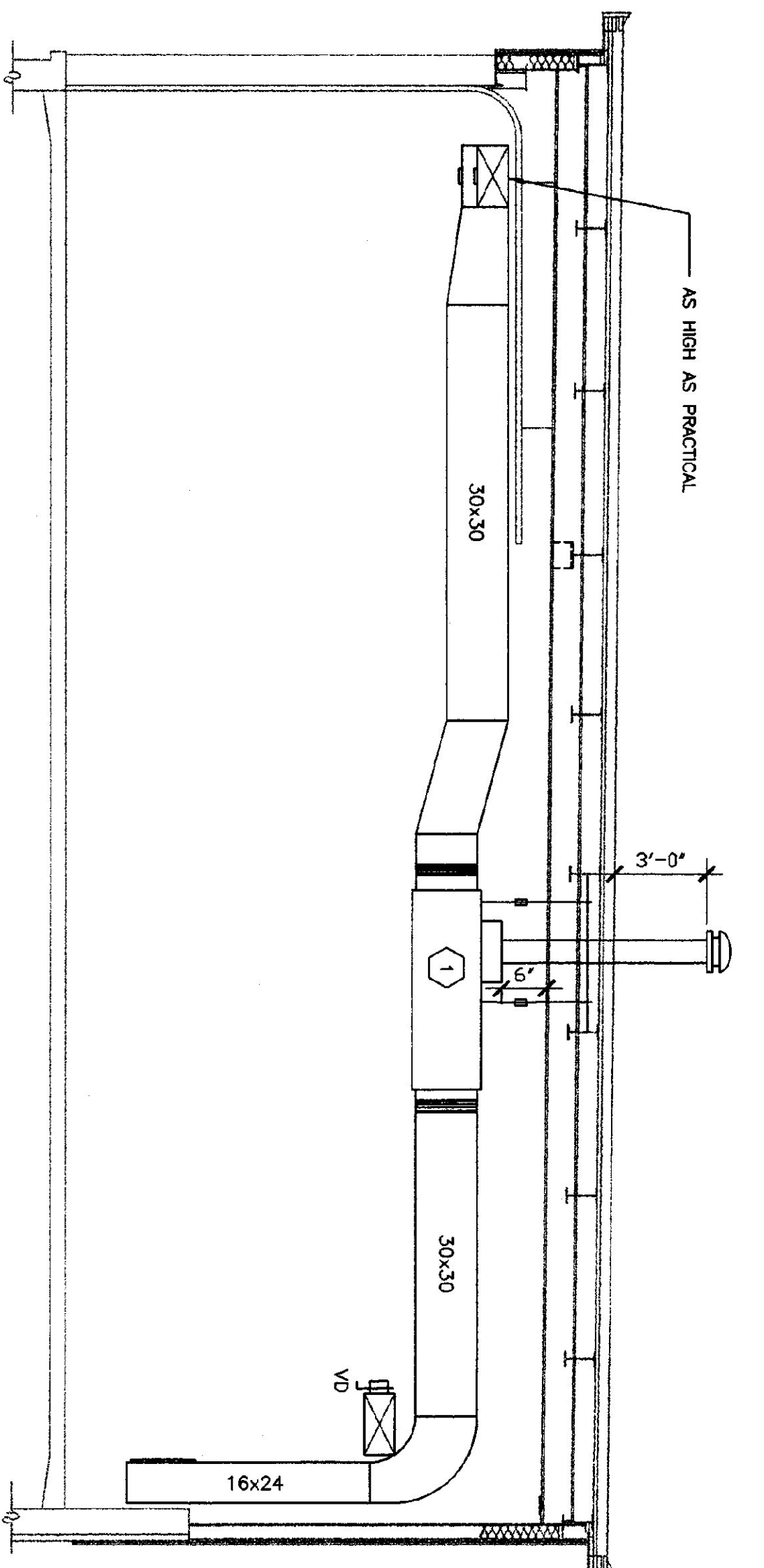
2 SECTION
SCALE: 1/4" = 1'-0"



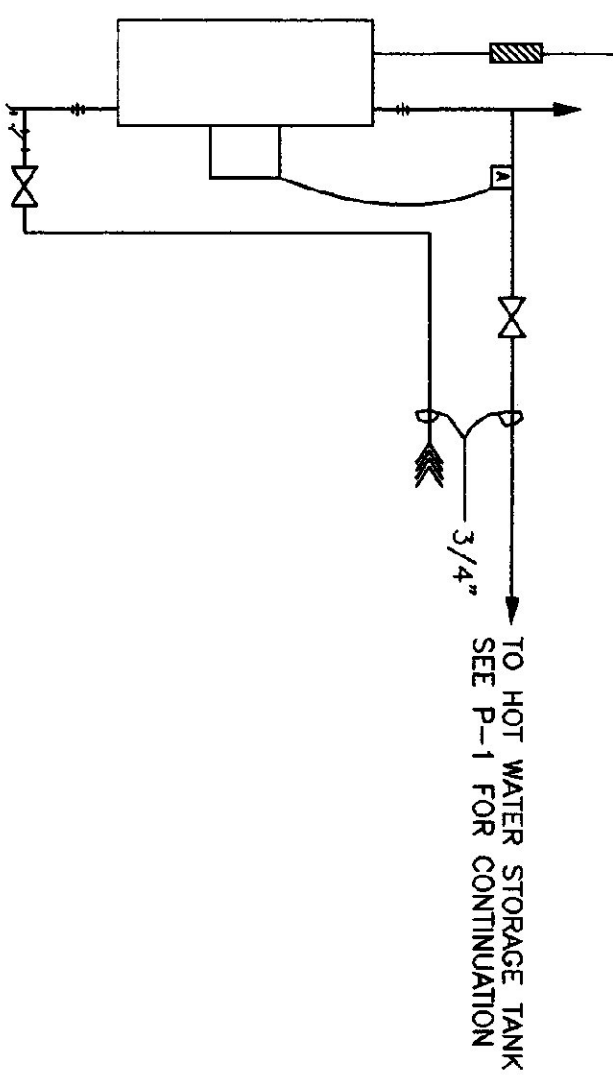
2 DETAIL OF AIR DUCT @ OFFICE & BATHROOM
SCALE: 3/4" = 1'-0"



FUEL PIPING SCHEMATIC
N.T.S.



3 SECTION
SCALE: 1/4" = 1'-0"



UNIT HEATER PIPING DETAIL
N.T.S.

LEGEND

- FD FIRE DAMPER
- ⊙ THERMOSTAT X.O. = OIL
W = WOOD
- ⊕ FULL PORTED BALL VALVE
- ⊖ REPAIR KIT SPRING LOADED
W/LEVER & WIRE TO DISABLE TANK & BURNER
WEBSTER OSV
- ⊖ PRESSURE MOUNT GAUGE
- ⊖ UNION
- ⊖ AUTOMATIC AIR VENT ON 6" AIR CHAMBER
- ⊖ STRIP ON INQUIRY SET @ 120°
- ⊖ STRAINER
- ⊖ DRAWN
- ⊖ VIBRATION ISOLATOR
- ⊖ FUEL OIL TRANSFER PUMP

FURNACE SCHEDULE

NO.	MAKE/MODEL	BTU OUTPUT	FUEL	CFM	BLOWER HP	VOLTAGE	FUE
1	JACKSON - CHURCH 350-28	280,000	# 2 OIL	3050	3/4	230	9"
2	LYNDALE 1025	500,000	CHUNK WOOD	3410	1	115/230	8"
3	VALCON HP - 120	75,400	HOT WATER	900	1/20	115	-

LOUVERS/DAMPERS

NO.	MAKE	MODEL	SIZE	REMARKS
L-1	VENT PRODUCTS	2750	48 X 48	
MOD-1	VENT PRODUCTS	5813	14 X 14	THREAT COPPERED STILE OPERATORS BLADES NO OPERATOR TO CLOSE DAMPER WHEN OIL FURNACE BLOWER IS ON
MOD-2	VENT PRODUCTS	5813	24 X 10	THREAT COPPERED STILE OPERATOR BLADES N.C. OPERATOR TO CLOSE DAMPER WHEN OIL FURNACE BLOWER IS ON
MOD-3	VENT PRODUCTS	5703	48 X 48	THREAT COPPERED STILE OPERATOR BLADES N.C. TO OPEN WHEN SF-1 IS OPERATING

FAN

NO.	MAKE	MODEL	CFM	SP	VOLT	HP
SF-1	GREENHECK	SFS-24	3577	.125	115	1/4
EF-2	GREENHECK	SME-8-32-E	51	.125	115	1/80