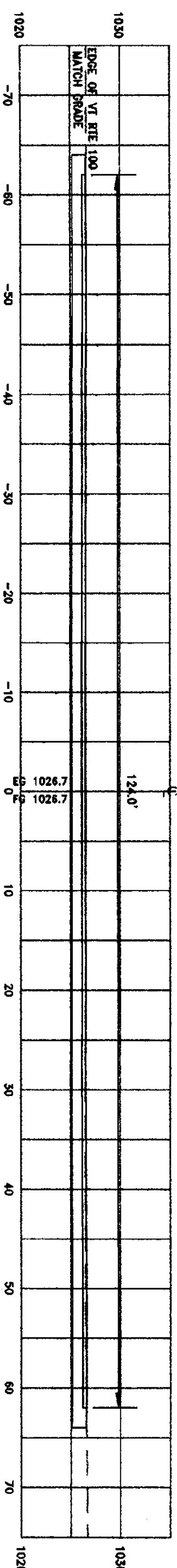
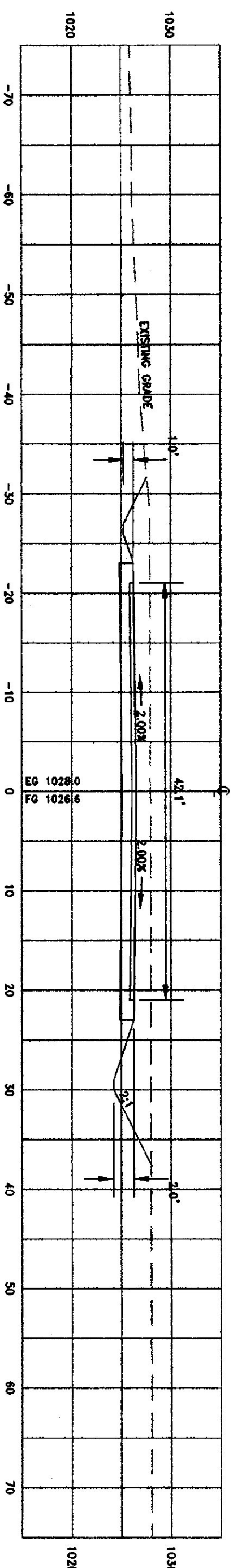
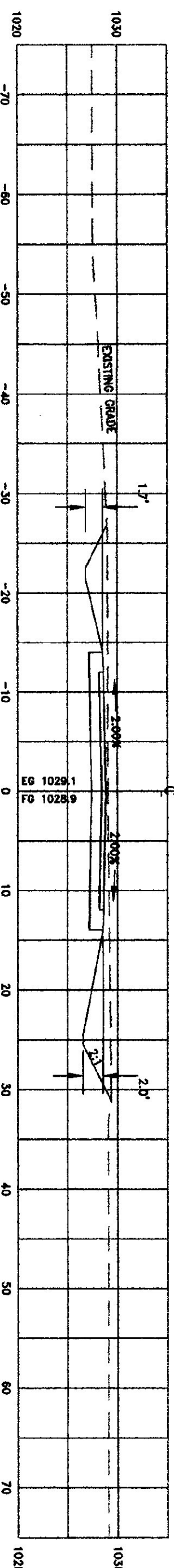
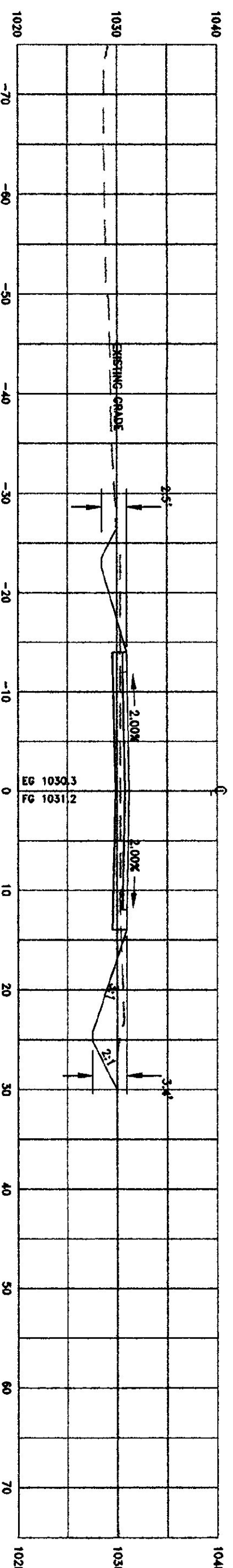
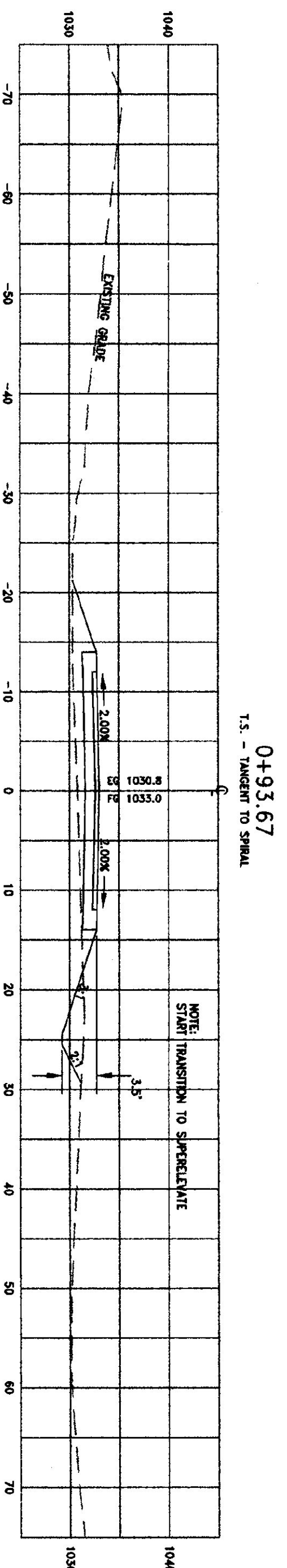
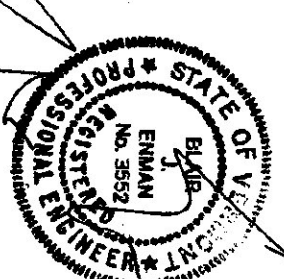


REVISIONS:



PROPOSED CENTERLINE X-SECTIONS OF ACCESS ROAD

SCALE: HORIZ. & VERT. 1" = 10'



REGULATORY APPROVAL STAMP

VERMONT
AGENCY OF TRANSPORTATION
HIGHWAY
MAINTENANCE
STORAGE
FACILITY

VT RTE. 100 LUDLOW VT

THESE PLANS ARE FOR THIS PROJECT ONLY AND ARE NOT FOR REUSE ON THIS PROJECT OR ANY OTHER PROJECT WITHOUT WRITTEN CONSENT OF ENMAN ENGINEERING, P.C.

Enman
Engineering
Environmental • Civil • Sanitary
230 North Main Street
Rutland, Vermont 05701
(802)775-3437
www.enman.com

ACCESS
ROAD
X-SECTIONS

SCALE: AS SHOWN

DATE: 06/11/98

DESIGN BY: BJE

DRAWN BY: JBT

SHEET NO: G-3

PROJECT NO: 9411