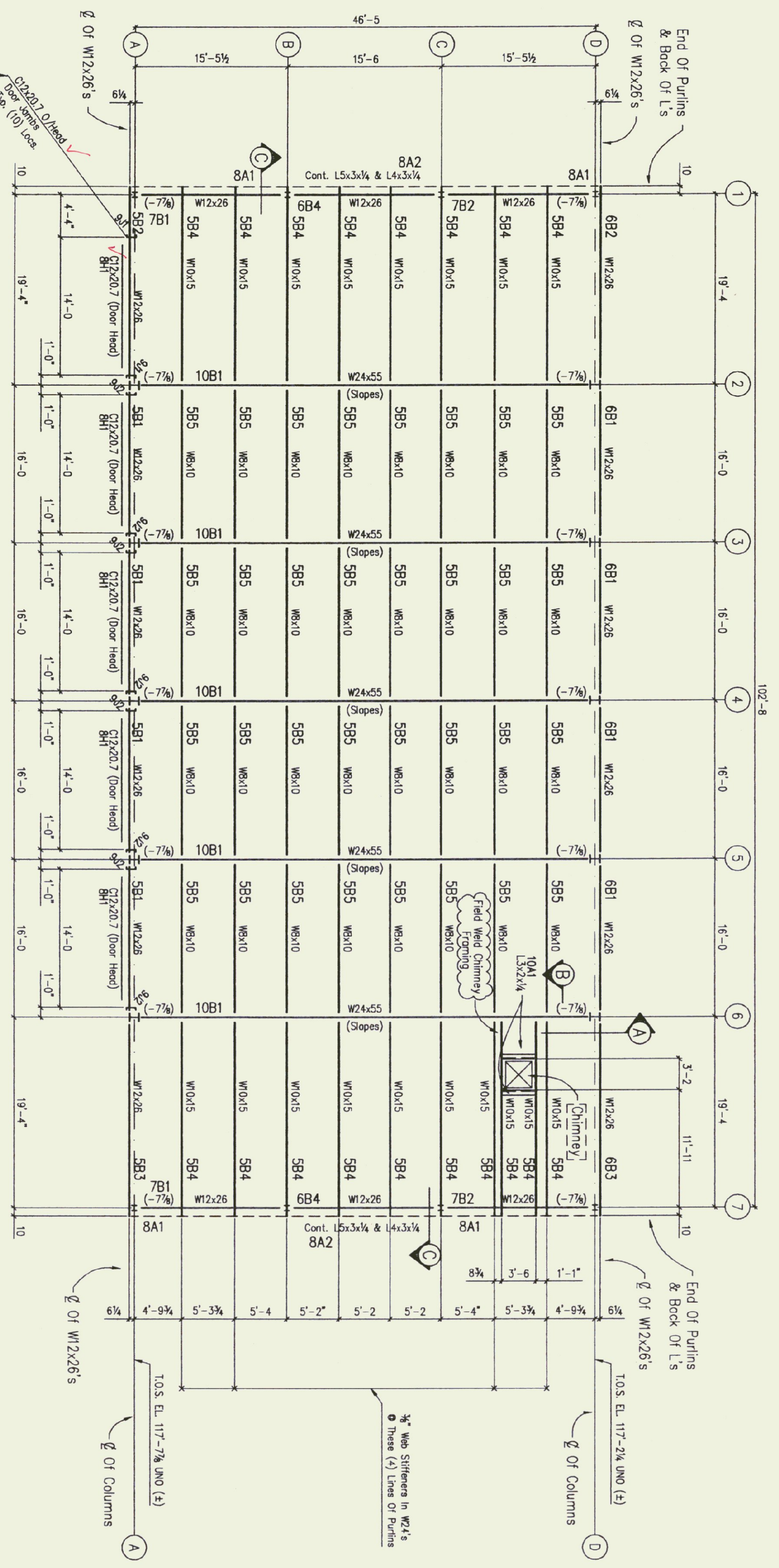
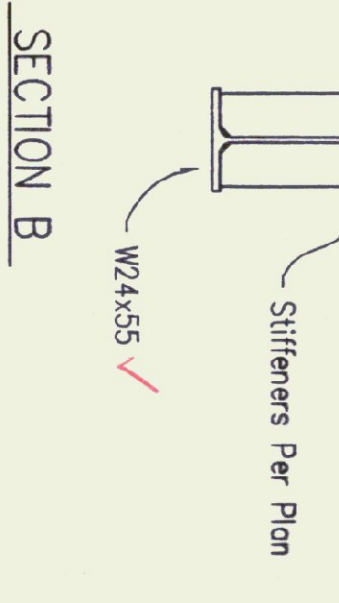
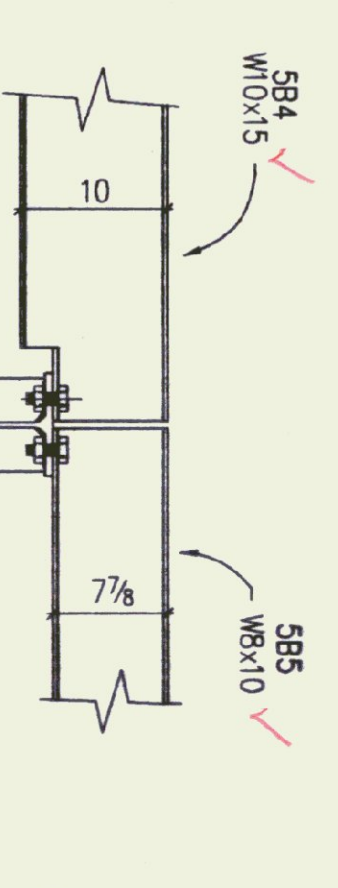
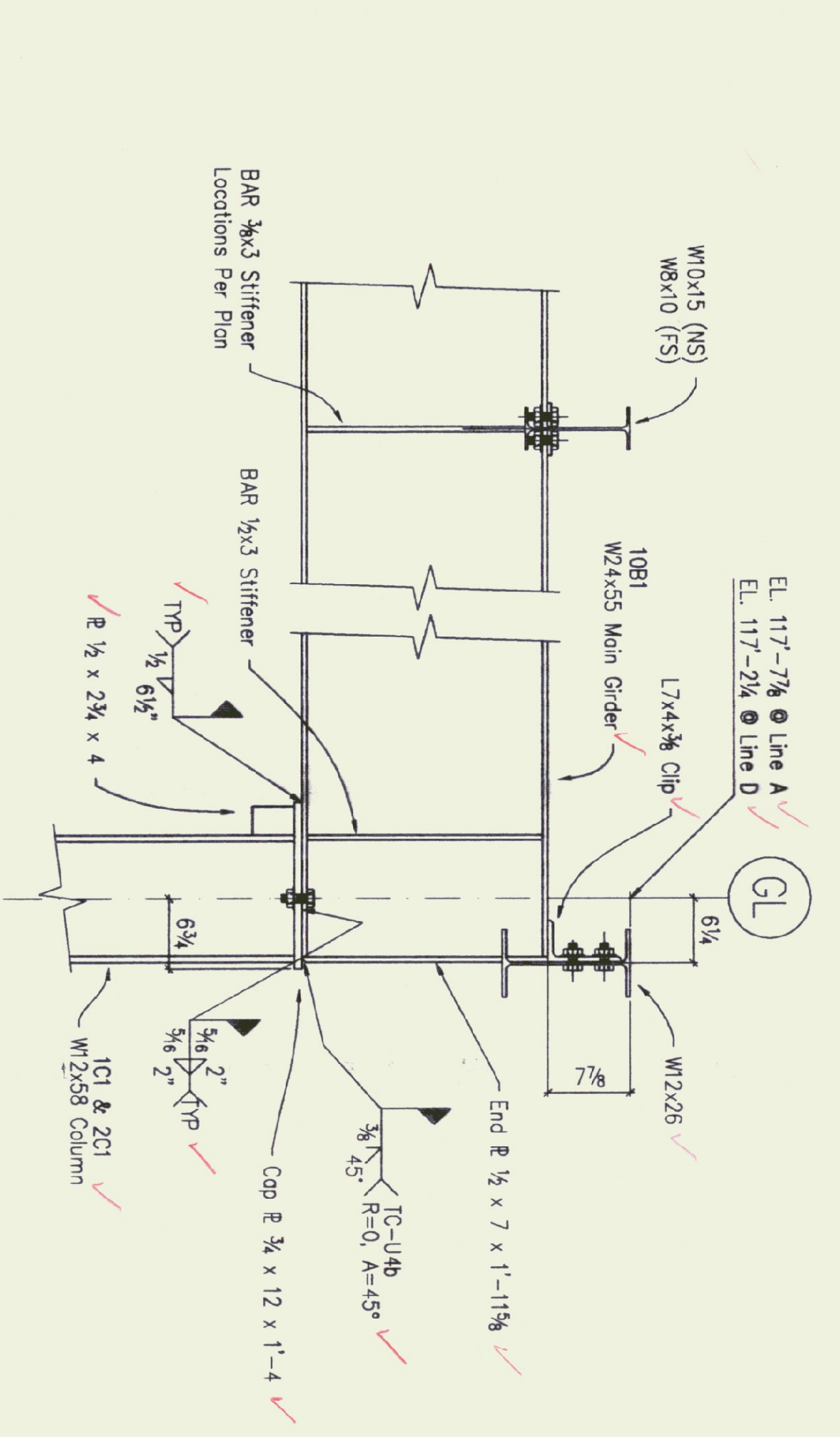
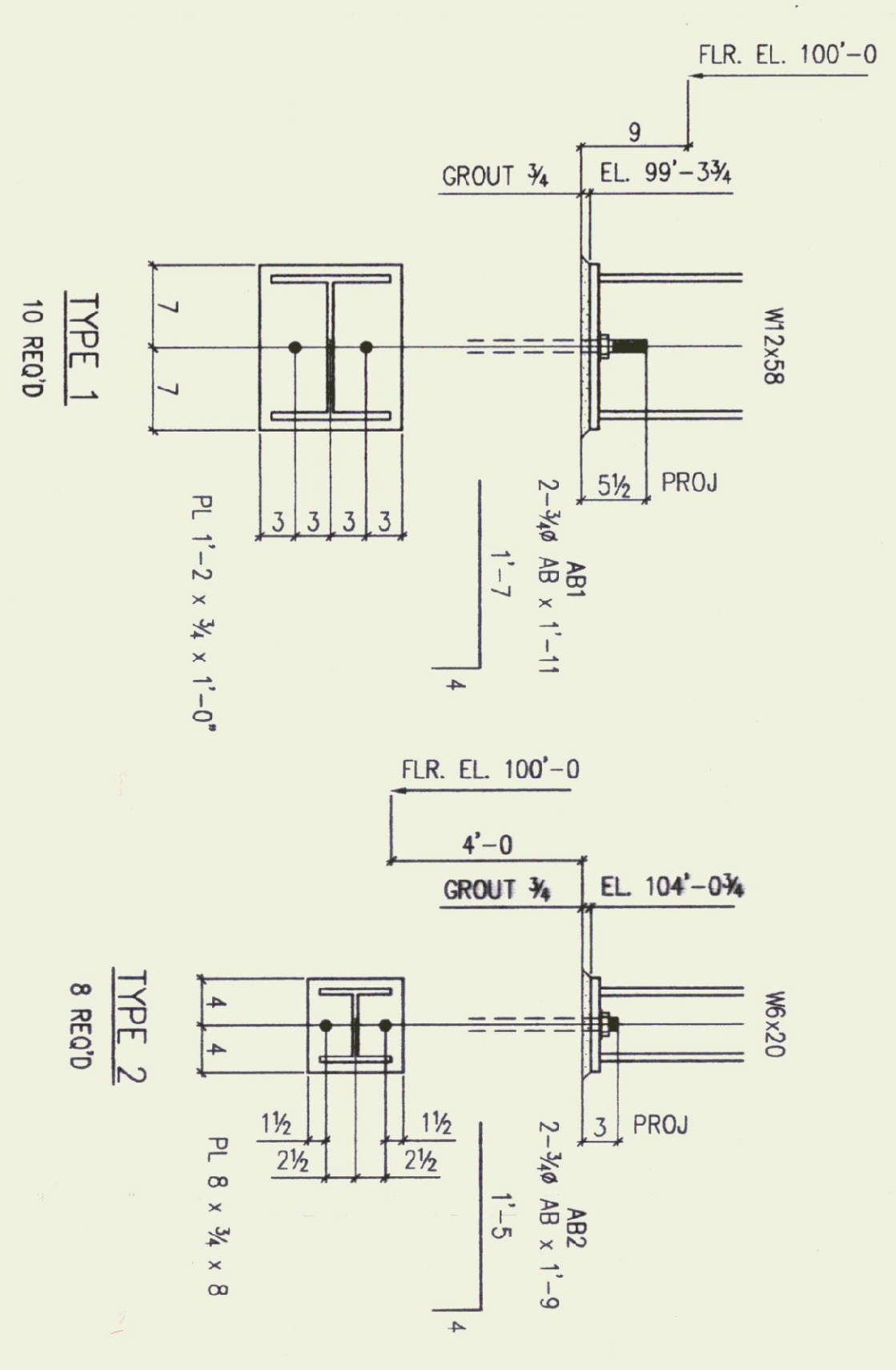


Anchor Bolt Setting Plan



Roof Steel Framing Plan



VERMONT STATE BUILDINGS DIVISION  
MONTPELIER, VERMONT  
JOB: *Reliance Steel Inc. Facility*  
DATE: *June 22, 1999*

APPROVED AS CORRECTED  
BY: *John A. D. [Signature]*  
DATE: *June 22, 1999*

<b>RELIANCE STEEL INC.</b>	
69 OAK CIRCLE DRIVE 93 CHESTER, VERMONT 05446 (802) 555-4810 FAX (802) 555-9352	
CUSTOMER: Noyor & Breen Builders	
PROJECT: Ludlow Maintenance Facility	
DETAIL: 5-Boy Maintenance Garage Layout & Sections	DATE: June 99
DRAWN: DAG	JOB NO: 1111
REV: E1	PRWG NO: