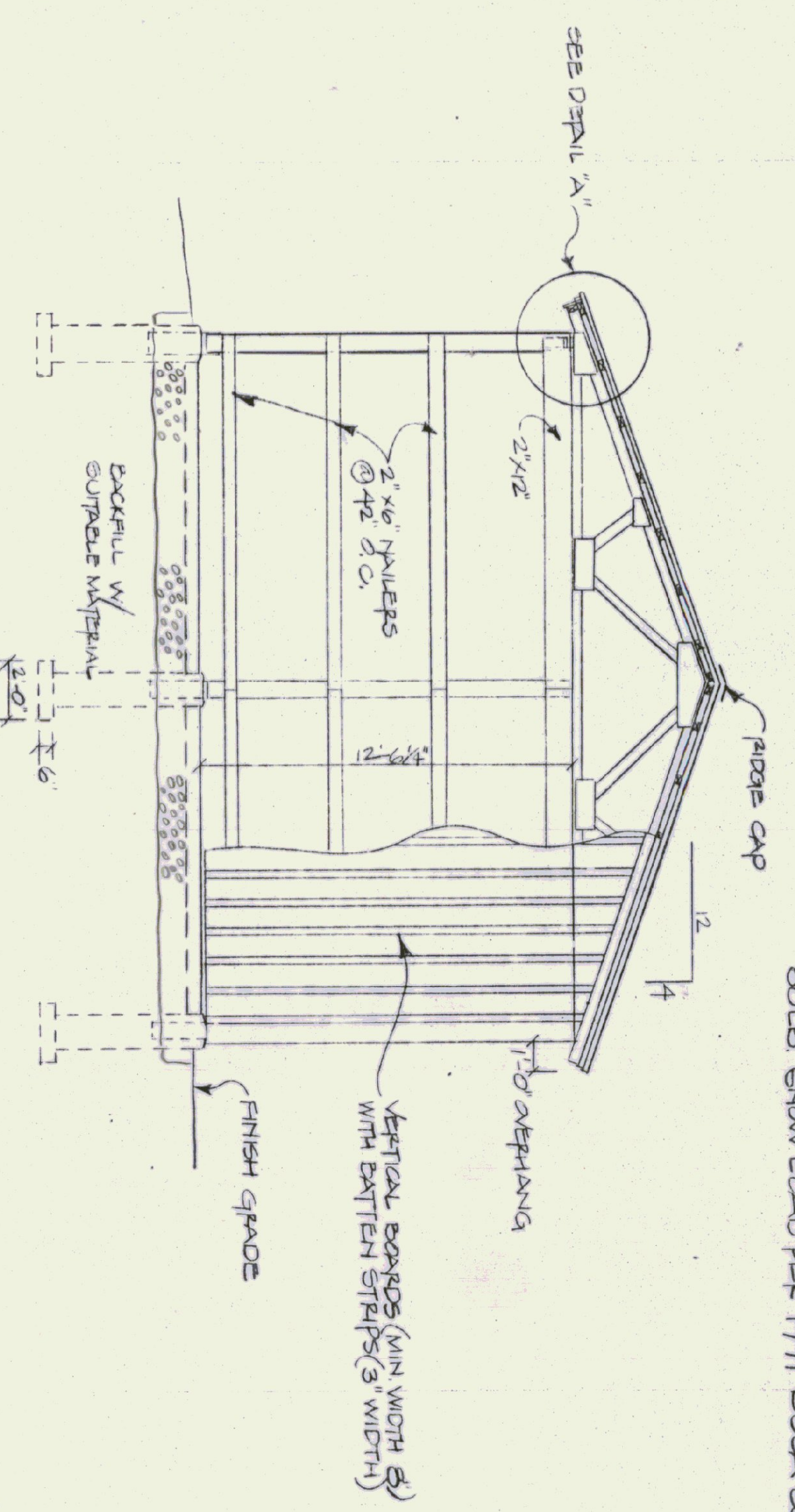
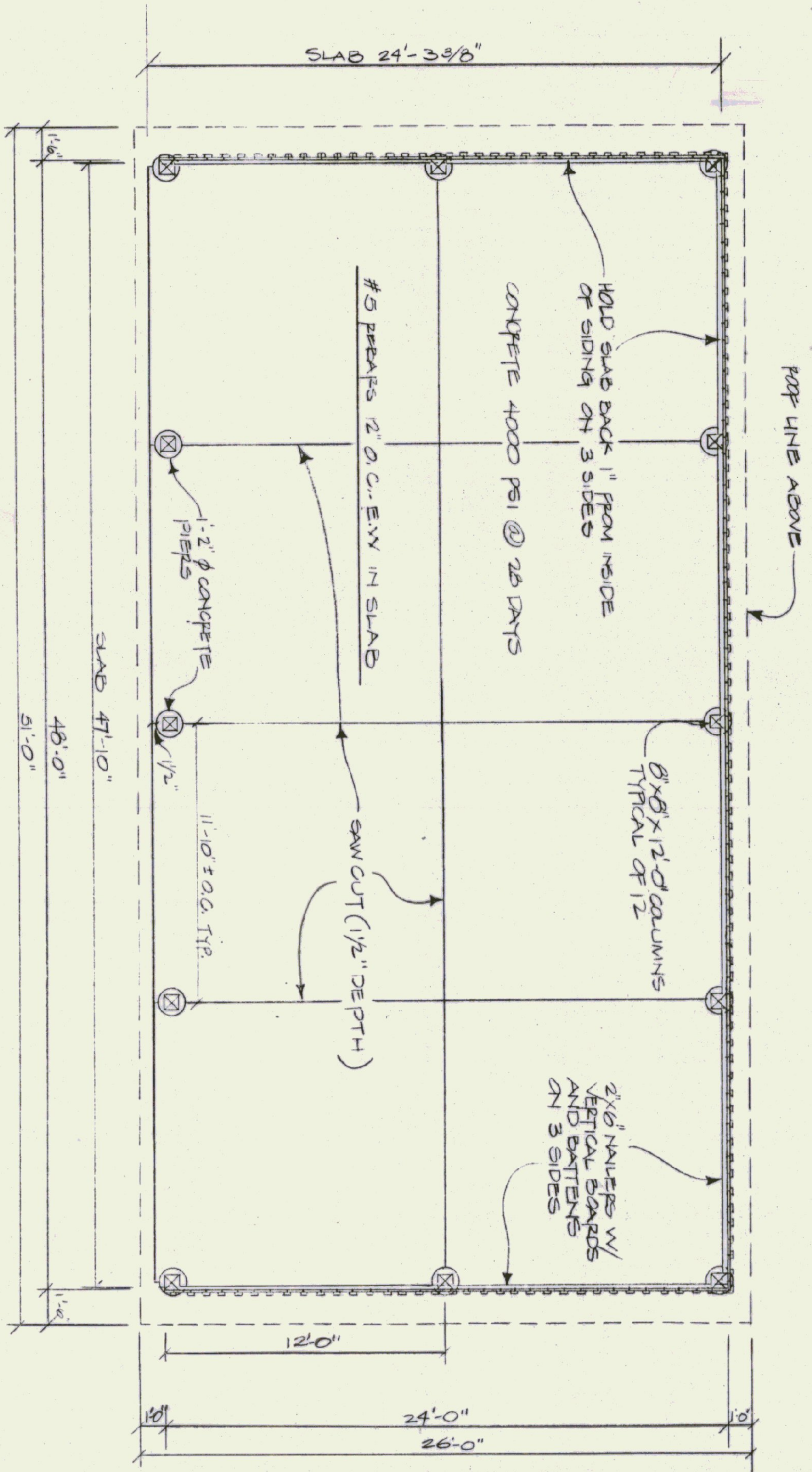


FRONT ELEVATION
SCALE: 1/4" = 1'-0"



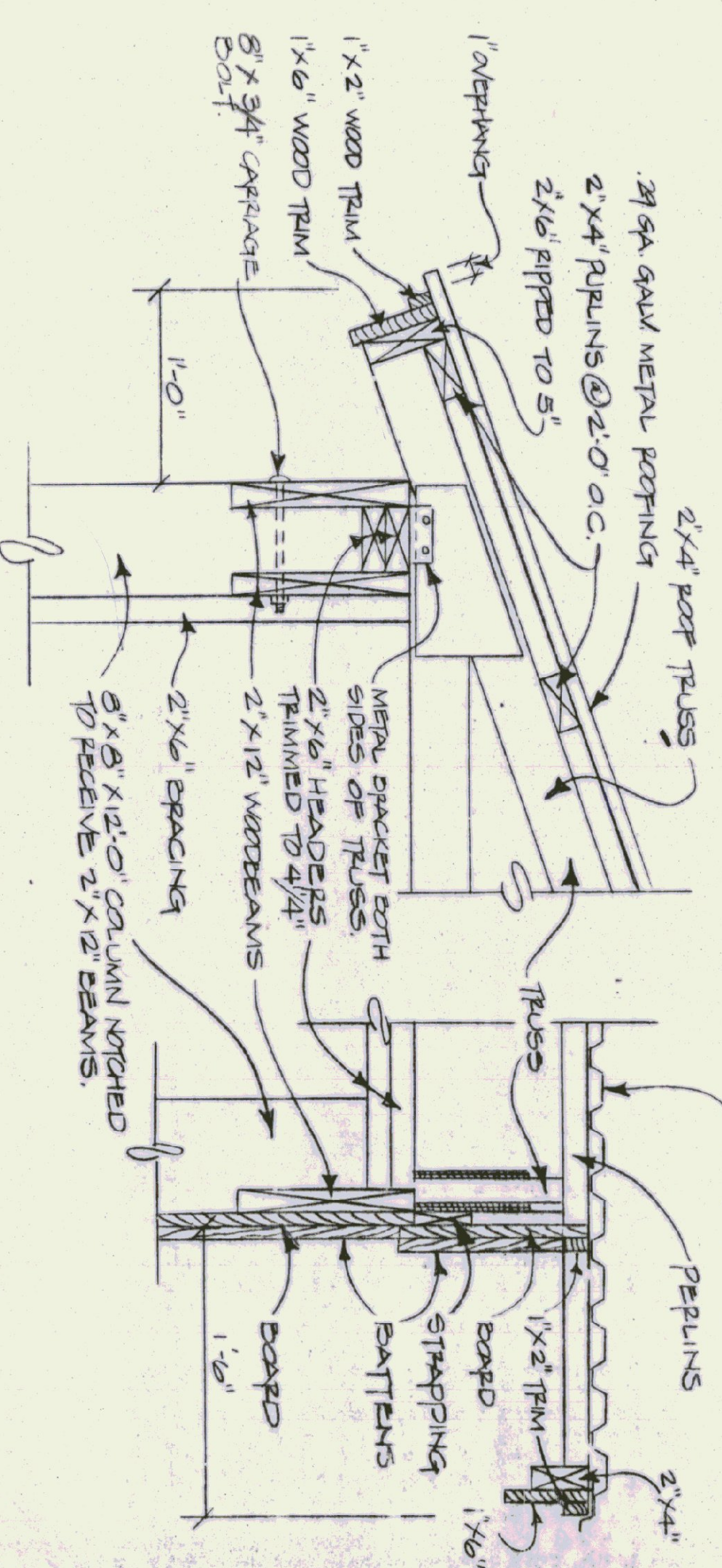
END ELEVATION
SCALE: 1/4" = 1'-0"



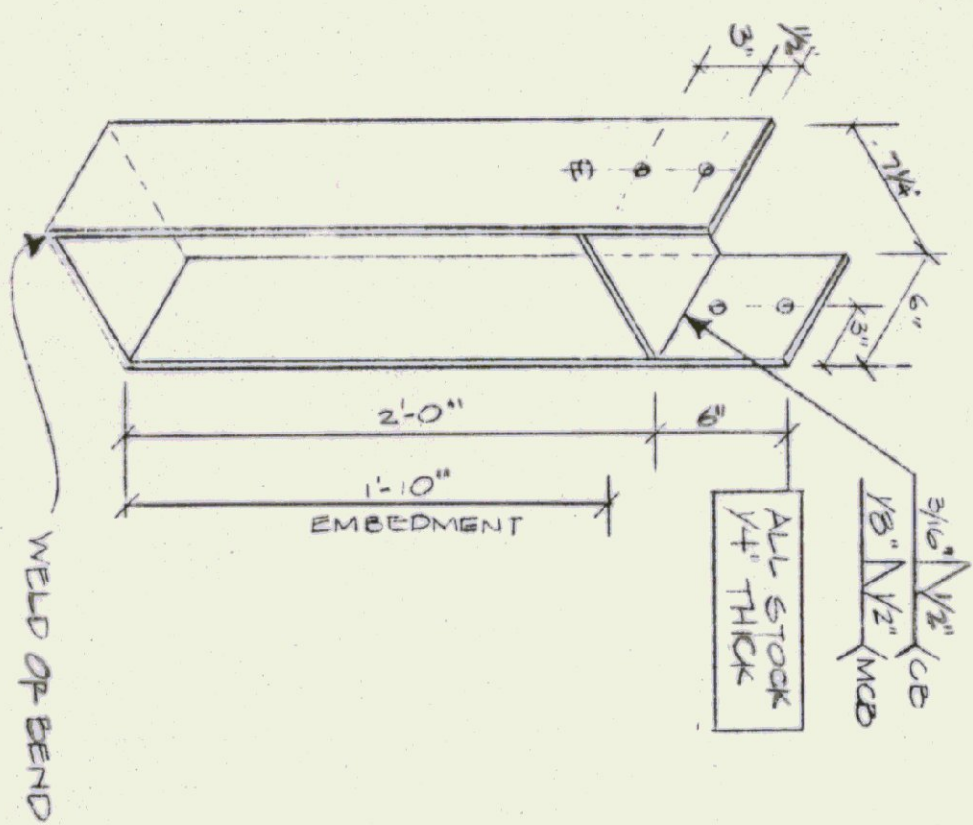
SHED PLAN
SCALE: 1/4" = 1'-0"

NOTE:
USE #5 REBARS @ 1'-0" O.C. E.W.
WITH 2" COVER.

SOLE LOAD PER 1991 BOCA CODE



RAKE DETAIL
SCALE: 1-1/2" = 1'-0"



COLUMN BASE ANCHOR
SCALE: 1-1/2" = 1'-0"

ONE REQUIRED

STATE OF VERMONT DEPARTMENT OF STATE BUILDINGS AGENCY OF ADMINISTRATION MONTPELIER, VERMONT		VERMONT DEPARTMENT OF TRANSPORTATION 24' x 48' COLD STORAGE SHED W/SLAB 6 BAY MAINTENANCE GARAGE	
CLARENDON, DATE: APRIL 19, 1993 DRAWN BY: A. POULIN	SCALE: AS NOTED APPROVED BY: [Signature]	REVISIONS:	DWG. NO. CSS-1 23 OF 23