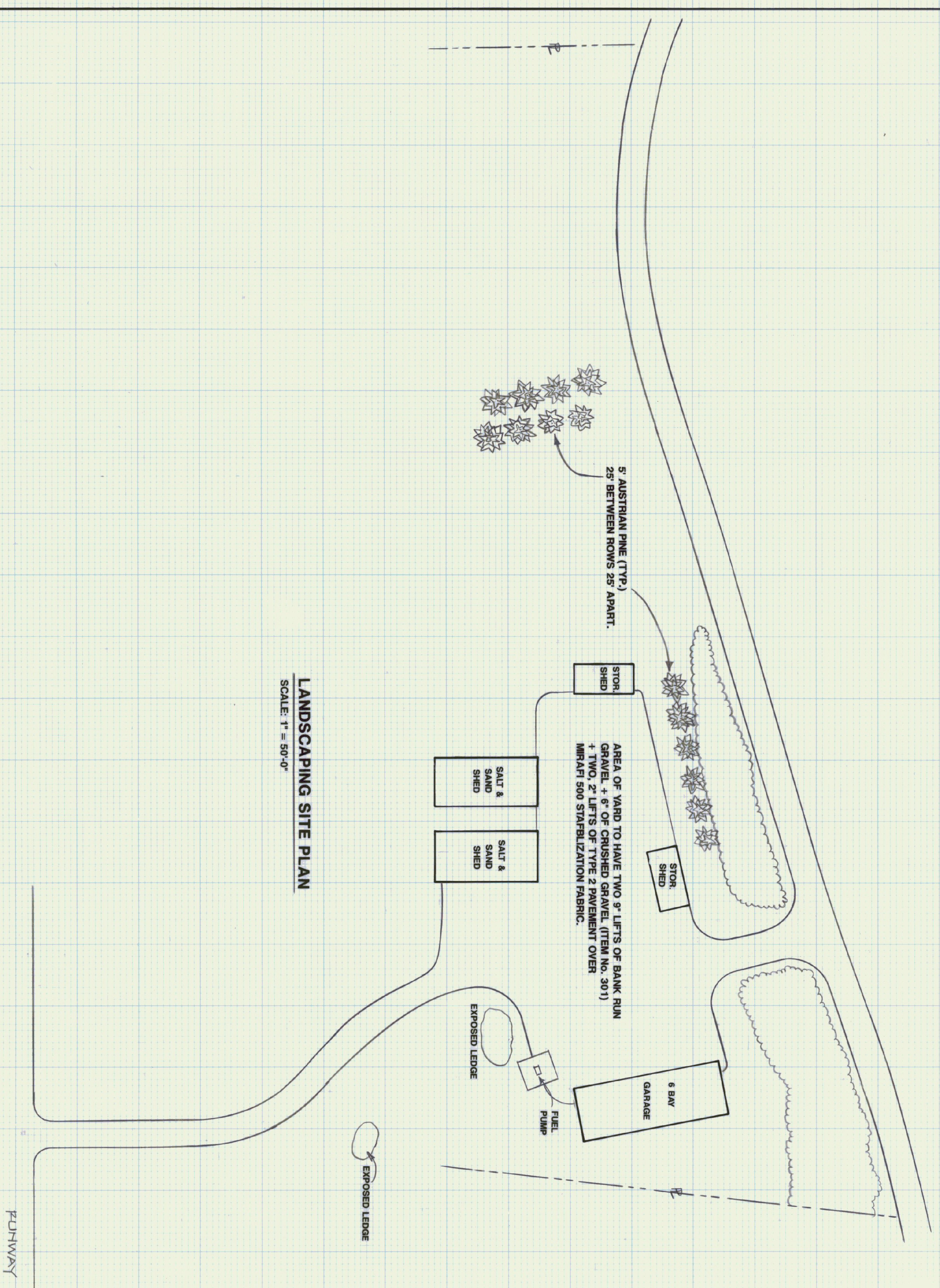
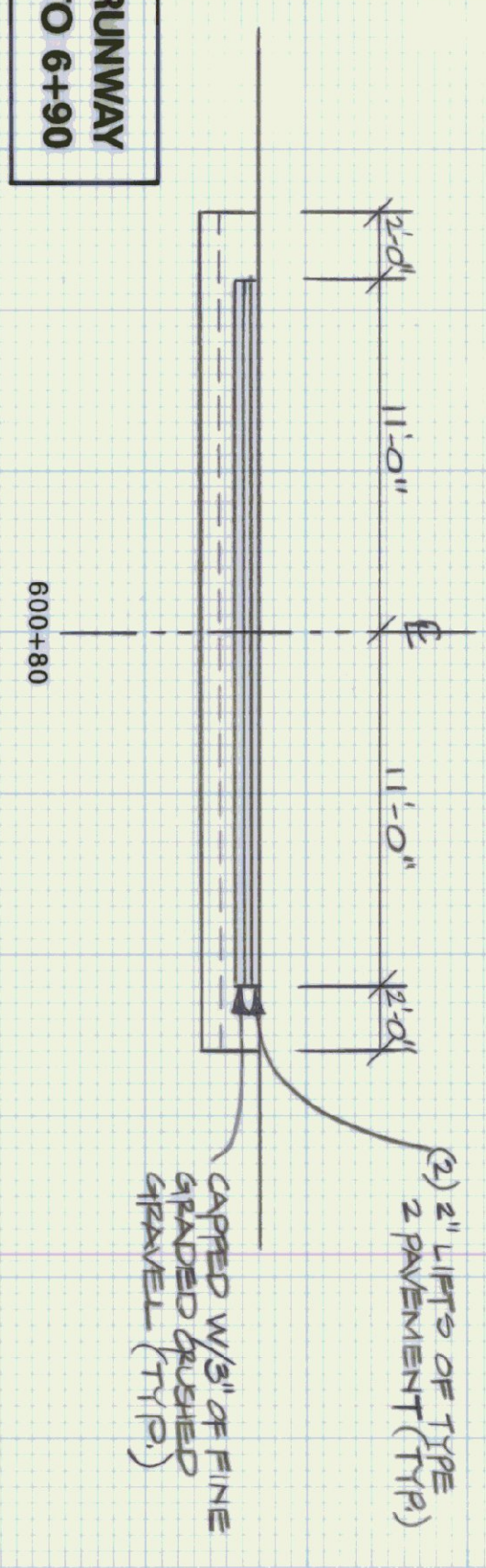


PROFILE OF ENTRANCE ROAD
 HORIZONTAL SCALE: 1" = 20'-0"
 VERTICAL SCALE: 1" = 10'-0"

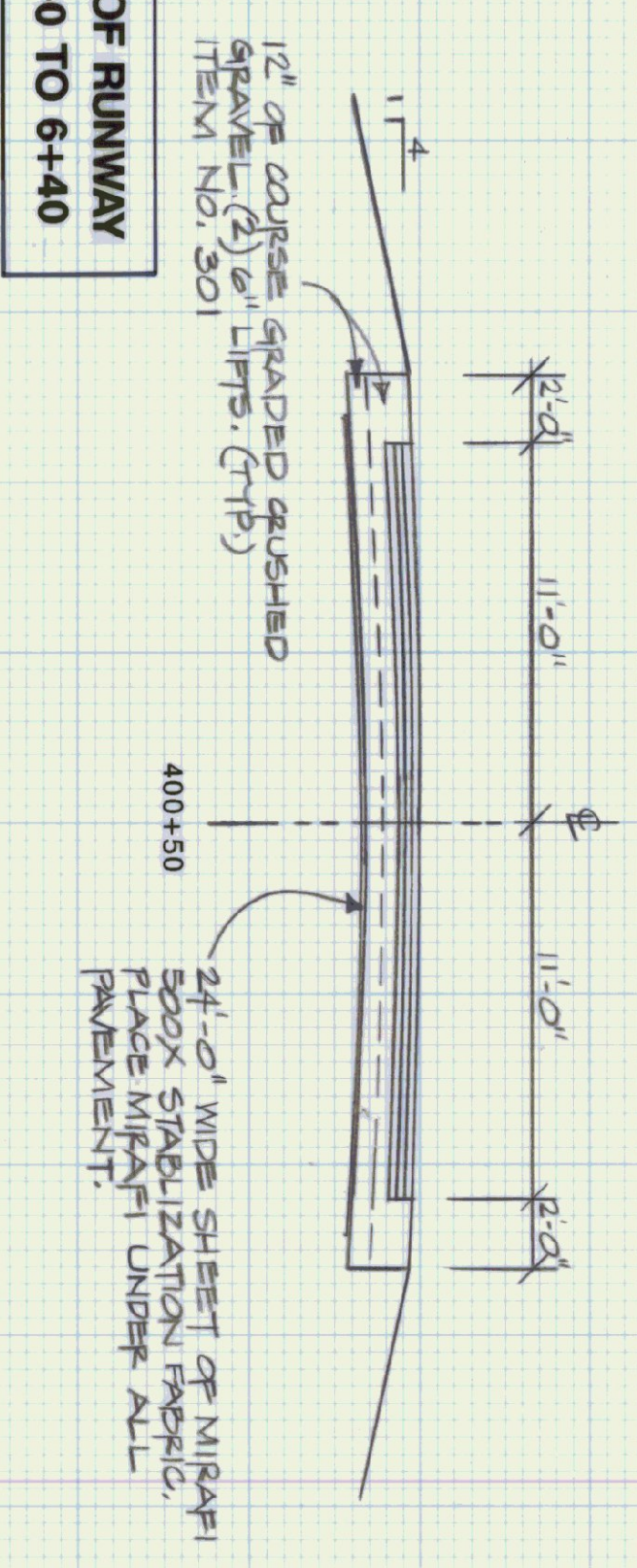


LANDSCAPING SITE PLAN
 SCALE: 1" = 50'-0"

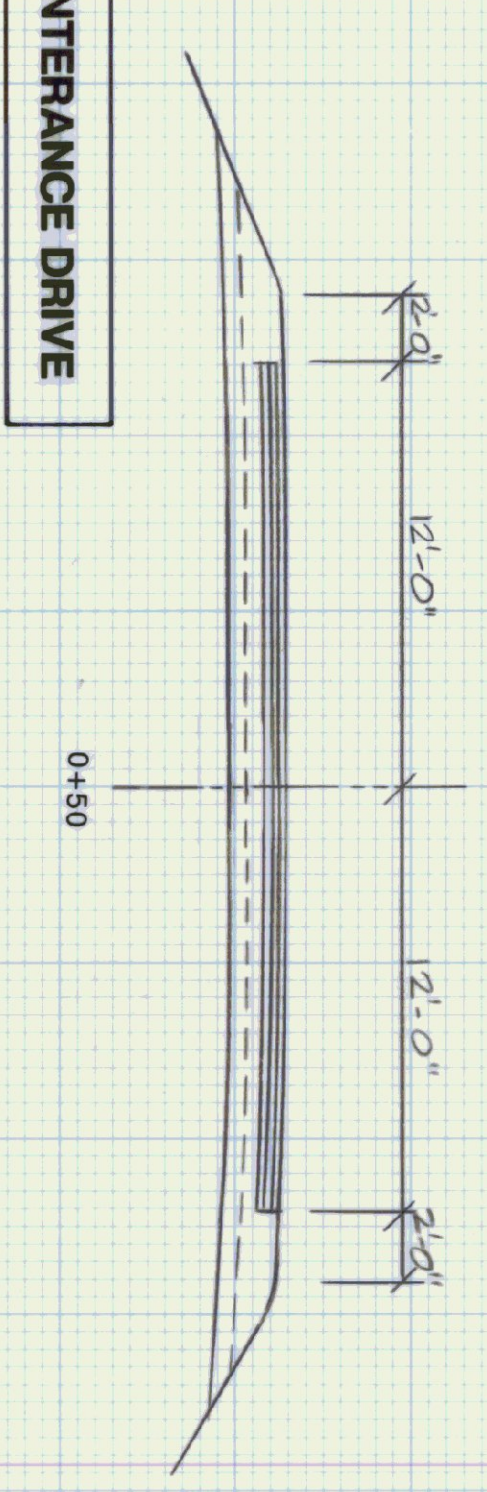
TYPICAL OF RUNWAY ROAD 6+40 TO 6+90



TYPICAL OF RUNWAY ROAD 3+0 TO 6+40



TYPICAL OF ENTRANCE DRIVE



SECTIONS OF ENTRANCE ROAD & RUNWAY ROAD
 HORIZONTAL & VERTICAL SCALE: 1" = 5'-0"

STATE OF VERMONT
 DEPARTMENT OF STATE BUILDINGS
 AGENCY OF ADMINISTRATION
 MONTPELIER, VERMONT

LANDSCAPING SITE PLAN & DRIVE SECTIONS & PROFILE
 VERMONT AGENCY OF TRANSPORTATION
 6 BAY MAINTENANCE GARAGE
 CLARENDON, VERMONT

DATE: APRIL 19, 1993	SCALE: AS NOTED	REVISIONS:	DWG. NO. SD-2
DRAWN BY: A. HOULIN	APPROVED BY: [Signature]		2 OF 23