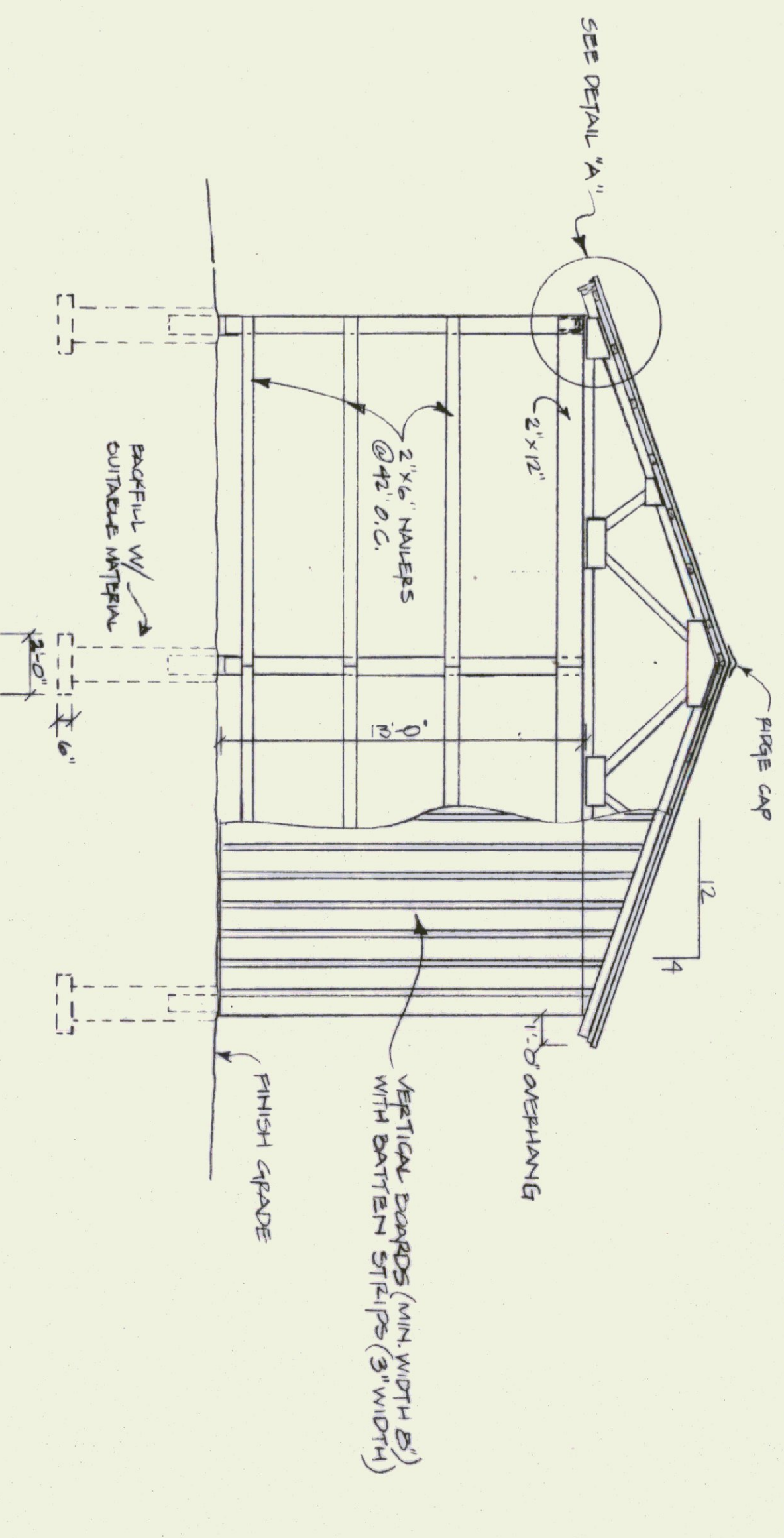
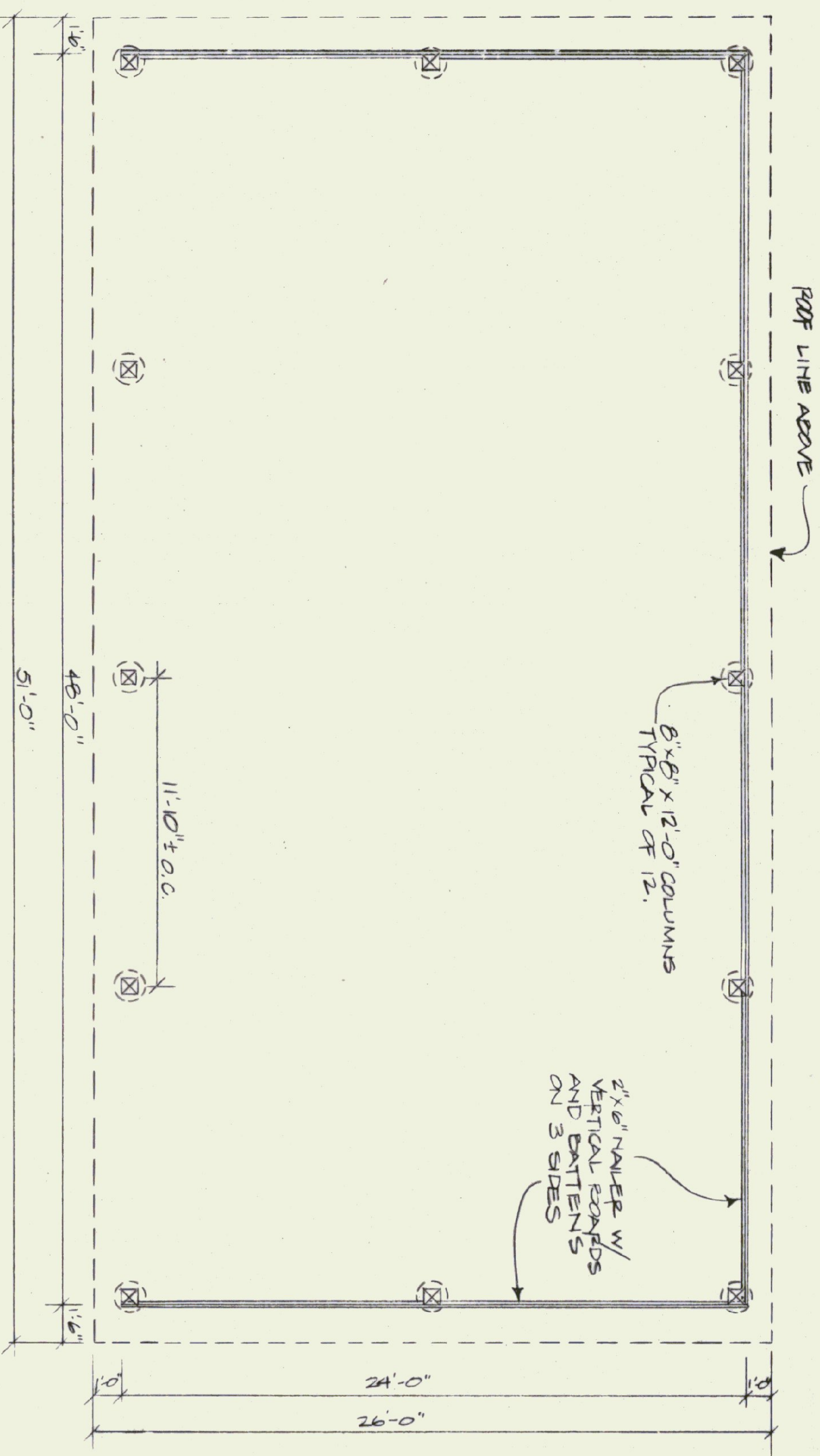


FRONT ELEVATION
SCALE: 1/4" = 1'-0"

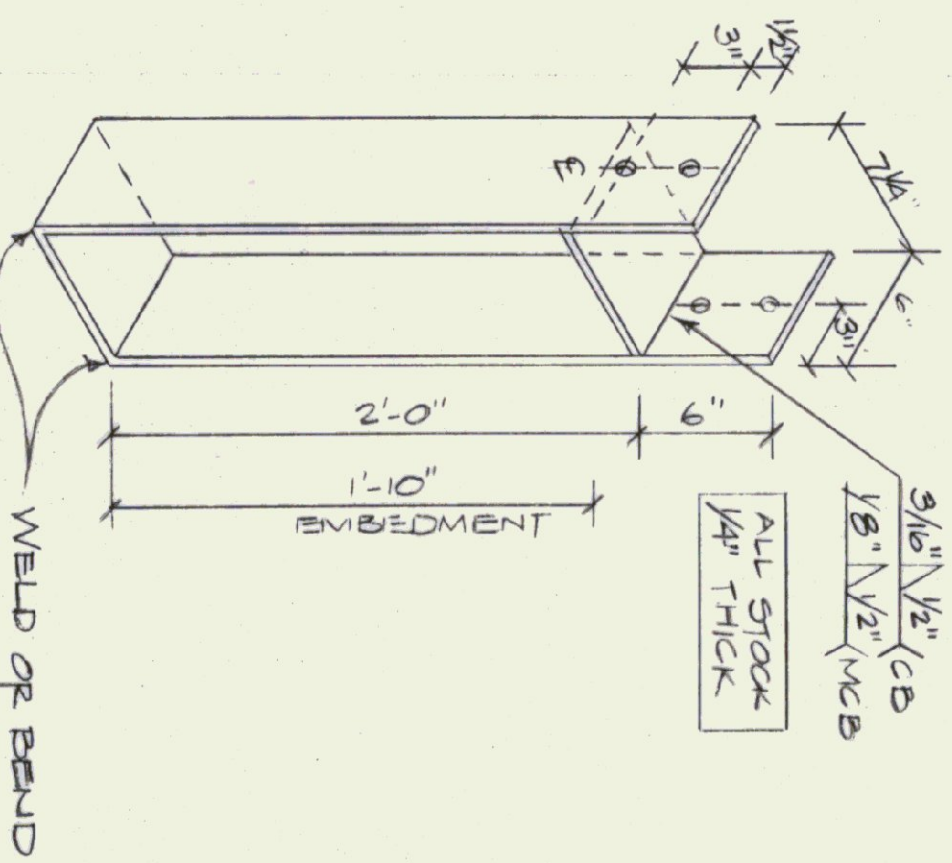


END ELEVATION
SCALE: 1/4" = 1'-0"

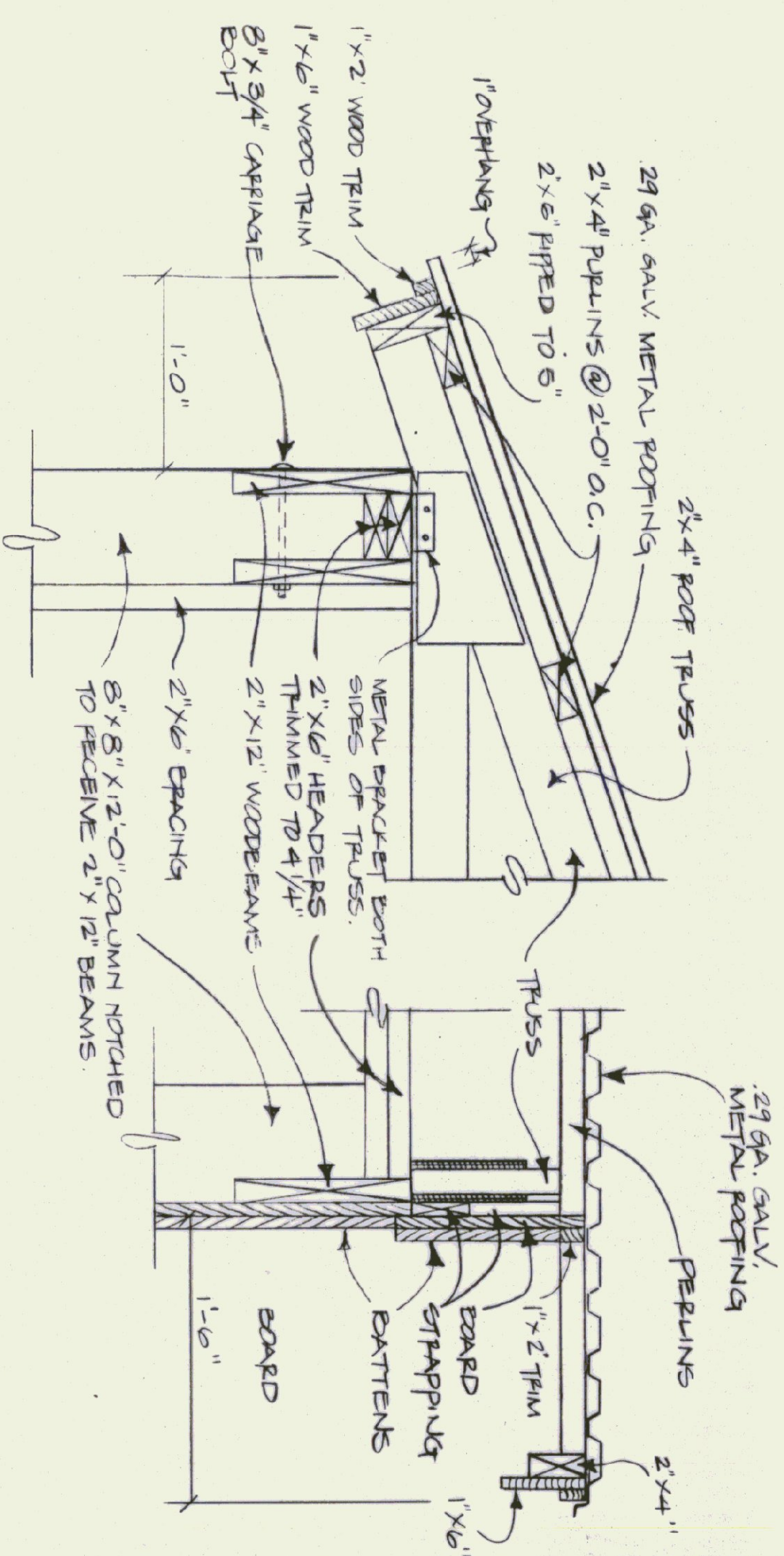
SOLID SNOW LOAD PER 1991 BOCA CODE



SHED PLAN
SCALE: 1/4" = 1'-0"



COLUMN BASE ANCHOR
SCALE: 1-1/2" = 1'-0"



RAKE DETAIL
SCALE: 1-1/2" = 1'-0"

DETAIL "A"
SCALE: 1-1/2" = 1'-0"

NOT USED

ONE REQUIRED

STATE OF VERMONT DEPARTMENT OF STATE BUILDINGS AGENCY OF ADMINISTRATION MONTPELIER, VERMONT		VERMONT AGENCY OF TRANSPORTATION 24' X 48' COLD STORAGE SHED 6 BAY MAINTENANCE GARAGE	
CLARENDON, DATE: APRIL 19, 1993 DRAWN BY: A. POULIN	SCALE: AS NOTED APPROVED BY: [Signature]	REVISIONS:	DWG. NO. CSS-2
VERMONT		VERMONT	