

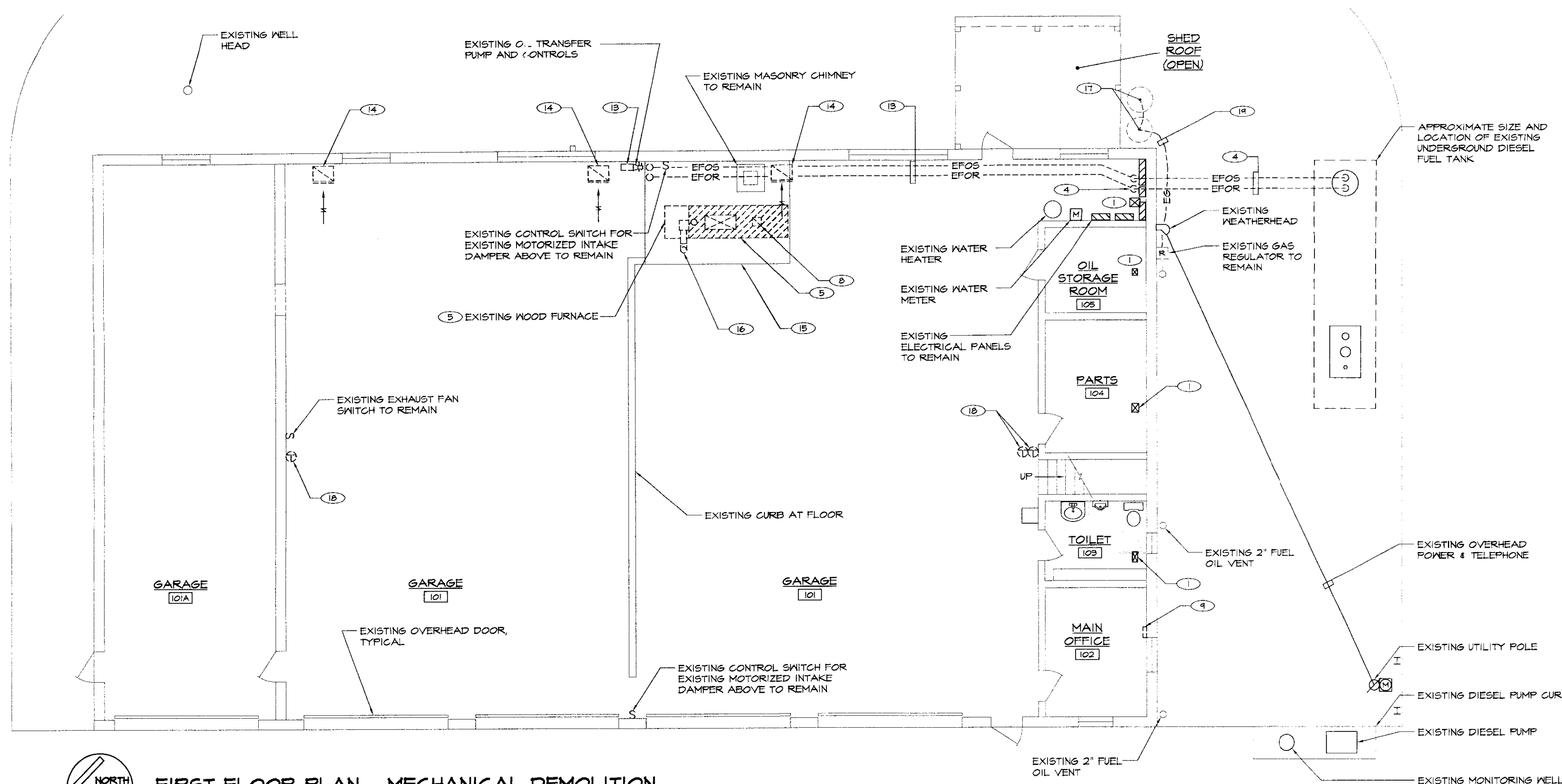
MEZZANINE FLOOR PLAN - MECHANICAL DEMOLITION
SCALE: 1/8"=1'-0"

MECHANICAL LEGEND & ABBREVIATIONS

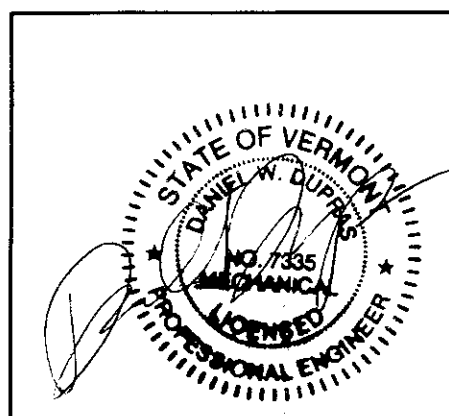
	BALL VALVE		NEW DUCTWORK	E.C.	ELECTRICAL CONTRACTOR
	PIPE RISER		EXISTING DUCTWORK TO BE REMOVED	G.C.	GENERAL CONTRACTOR
	PIPE DROP		SUPPLY DUCT DOWN	GUH	GAS FIRED UNIT HEATER
	CONNECT TO EXISTING		SUPPLY DUCT UP		SECTION NUMBER DWS. NUMBER
	DEMOLITION NOTE TAG		AIR FLOW INDICATOR		EQUIPMENT TYPE E-EXISTING
	DRAWING NOTE TAG		THERMOSTAT E=120V ELECTRIC, SUBSCRIPT=ZONE #		SUPPLY DIFFUSER
			LP GAS PIPING		EXHAUST GRILLE
					GAS FIRED UNIT HEATER

DEMOLITION NOTES: (APPLY TO THIS DRAWING ONLY)

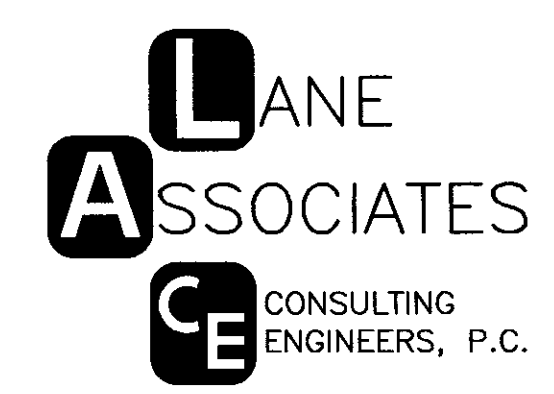
- 1 EXISTING SUPPLY GRILLE TO REMAIN.
- 2 EXISTING DUCT TAKEOFF TO BE EXTENDED TO NEW OR EXISTING GRILLE. SEE NEW WORK PLAN.
- 3 REMOVE OIL FIRED DUCT FURNACE AND ALL ASSOCIATED CONTROLS, CONDUIT, DUCTWORK, FUEL PIPING & CONTROLS. TERMINATE WIRING IN NEAREST ACTIVE JUNCTION BOX.
- 4 GAP EXISTING FUEL OIL SUPPLY AND RETURN PIPING AT BUILDING WALL. ABANDON UNDERGROUND FUEL OIL SUPPLY AND RETURN PIPING IN PLACE. DISCONNECT AND GAP PIPING AT UNDERGROUND TANK MANHOLE.
- 5 REMOVE WOOD FIRED FURNACE AND ALL ASSOCIATED CONTROLS, SUPPLY DUCTWORK, AND COMBUSTION AIR DUCTWORK.
- 6 EXISTING LOUVER TO REMAIN.
- 7 REMOVE EXISTING FLUE AND BREECHING THROUGH ROOF. PATCH ROOF TO MATCH EXISTING. USE ORIGINAL ROOF CONTRACTOR AS REQUIRED TO MAINTAIN OWNERS ROOF WARRANTY.
- 8 REMOVE EXISTING WOOD FIRED FURNACE EXHAUST FLUE AND BREECHING. PATCH FLUE AND CHIMNEY TO MATCH EXISTING.
- 9 REMOVE EXISTING ELECTRIC WALL HEATER AND ASSOCIATED WIRING. TERMINATE WIRING IN NEAREST ACTIVE JUNCTION BOX.
- 10 REMOVE AND RELOCATE EXISTING EXHAUST FAN. SEE NEW WORK PLAN.
- 11 EXISTING FAN AND CONTROLS TO REMAIN.
- 12 EXISTING SUPPLY AND DUCTWORK TO REMAIN.
- 13 REMOVE EXISTING OIL TRANSFER PUMP, OIL HEADER AND ALL ASSOCIATED PIPING, VALVES, GAUGES AND CONTROLS.
- 14 REMOVE EXISTING AIR DISTRIBUTION DUCTWORK, GRILLES, DIFFUSERS AND ALL ASSOCIATED ACCESSORIES. PATCH HOLES IN WALLS AND CEILINGS LEFT BY DEMOLITION TO MATCH EXISTING.
- 15 EXISTING CONCRETE PAD BELOW WOOD FURNACE TO REMAIN.
- 16 REMOVE EXISTING COMBUSTION AIR DUCTWORK.
- 17 REMOVE EXISTING ABOVE GROUND LP TANKS. CONNECT LP GAS LINE TO EXISTING GENERATOR TO NEW GAS SERVICE.
- 18 REMOVE EXISTING CONTROL THERMOSTAT, INCLUDING ALL CONDUIT AND WIRE. TERMINATE AT NEAREST ACTIVE JUNCTION BOX.
- 19 REMOVE EXISTING 1/2" GAS LINE FROM TANKS TO REGULATOR.
- 20 RELOCATE EXISTING CEILING FAN AS REQUIRED FOR NEW 6" FURNACE. SEE NEW WORK PLAN.



FIRST FLOOR PLAN - MECHANICAL DEMOLITION
SCALE: 1/8"=1'-0"



NO.	ISSUED FOR	DATE
1	OWNERS REVIEW	04/2004



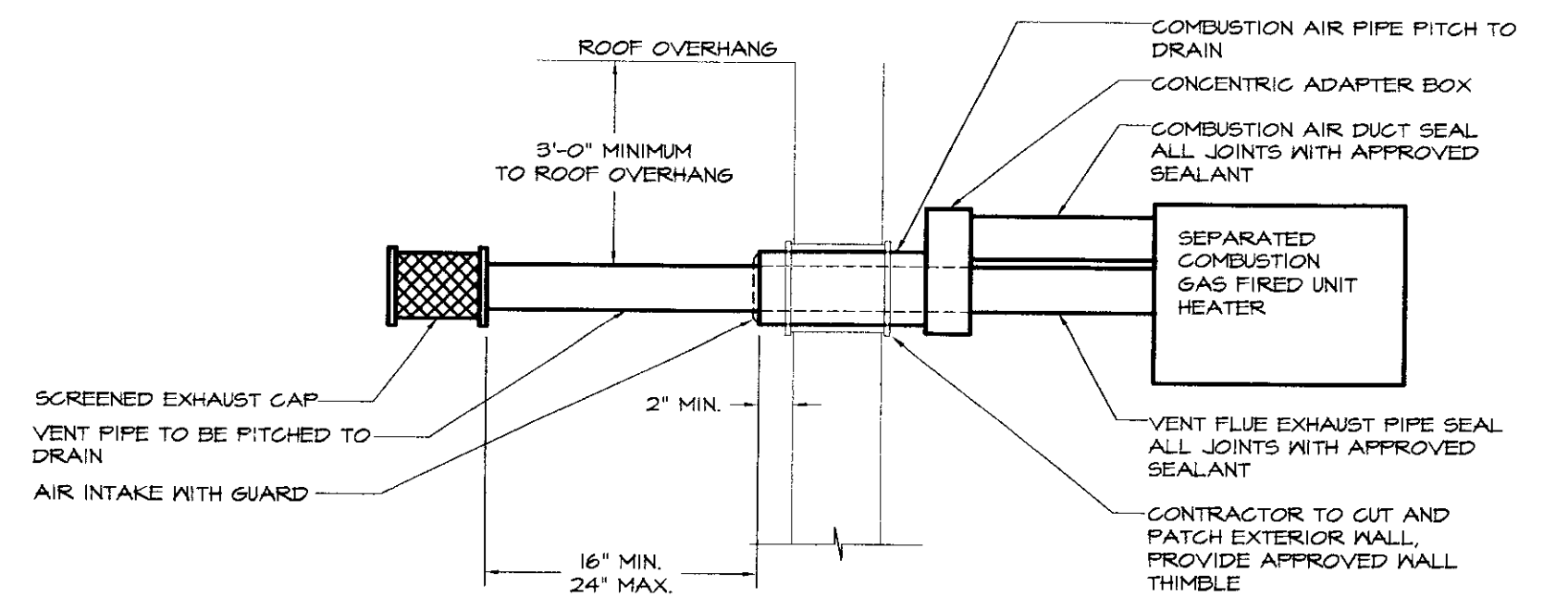
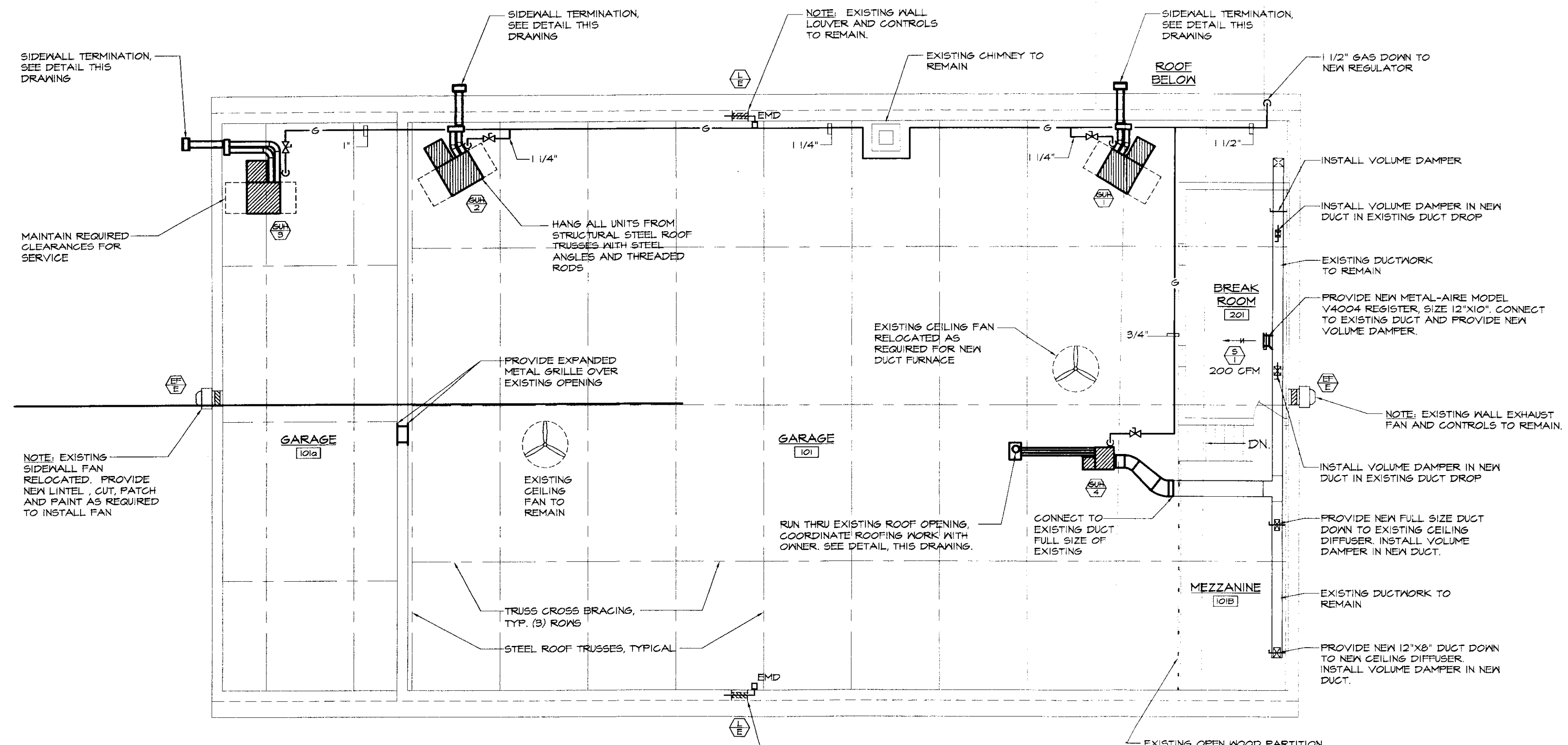
HEATING, VENTILATION, & AIR CONDITIONING,
PLUMBING, FIRE PROTECTION, & ELECTRICAL

CHARLES F. LANE, P.E.
DANIEL W. DUPRAS, P.E.

51 KILLINGTON AVENUE,
RUTLAND, VERMONT 05701
TELEPHONE: (802)747-3346
FAX/MODEM: (802)747-3356

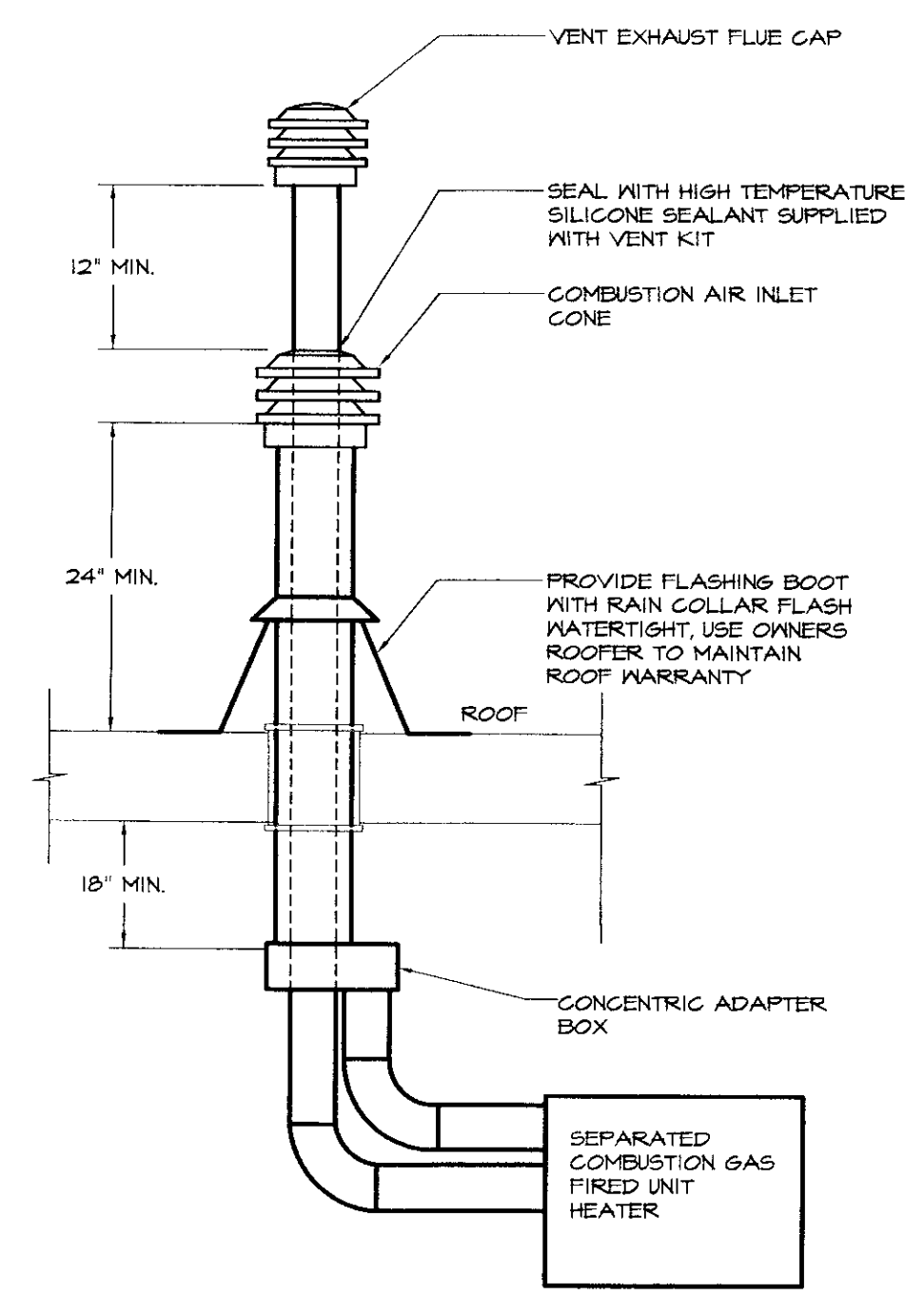
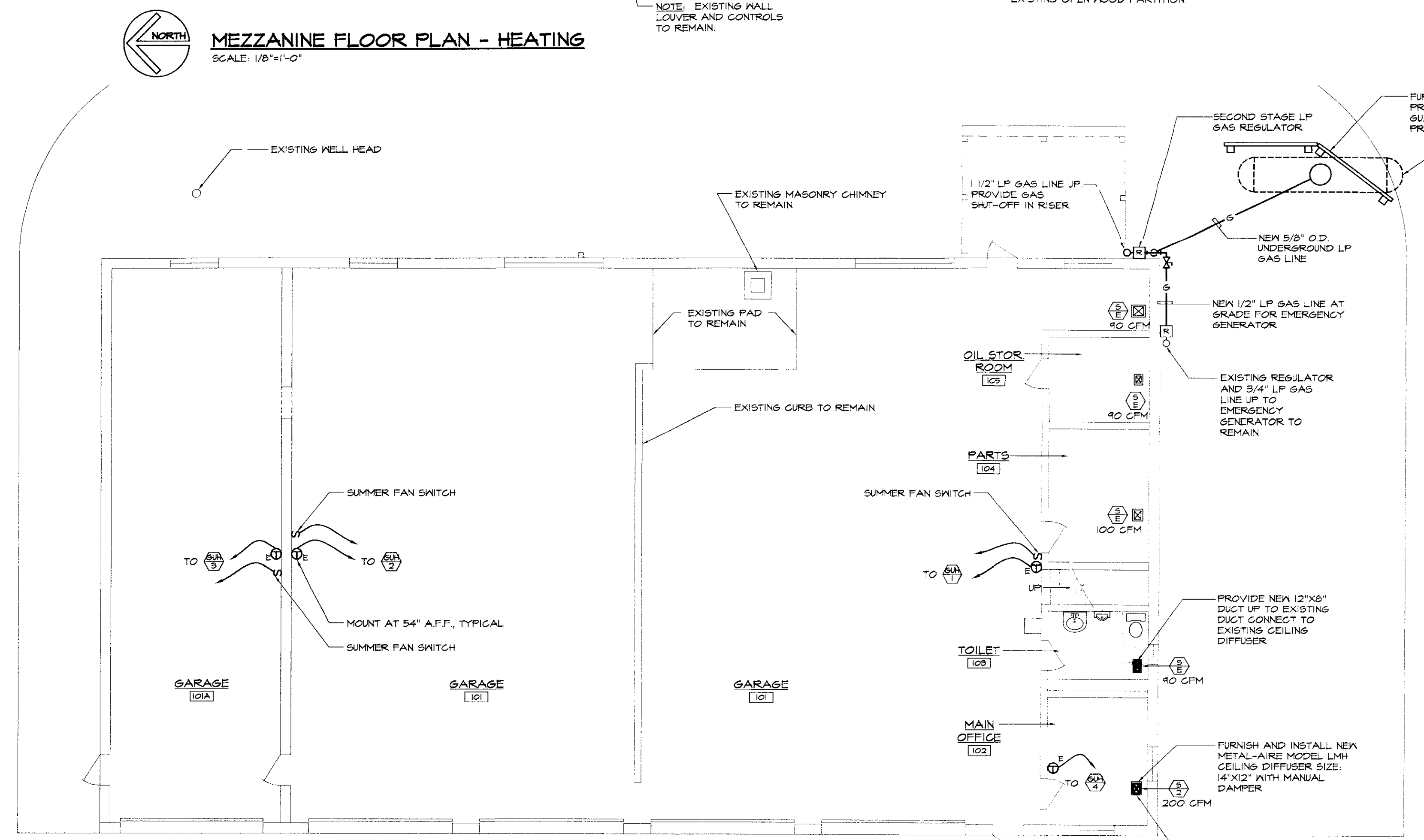
FLOOR PLAN MECHANICAL DEMOLITION	
CASTLETON AOT GARAGE DISTRICT 3 CASTLETON, VT 05735 NEW HEATING SYSTEM	
APPR: DWD	DRAWN: KFC
SCALE: AS NOTED	PROJ. NO. 0312-04

M
1



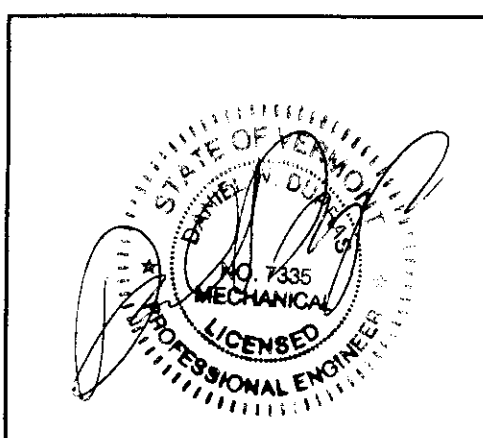
SIDEWALL SEPARATED COMBUSTION / VENT DETAIL
NOT TO SCALE

NOTE: SIZE VENT PIPE AND COMBUSTION AIR PIPE PER MANUFACTURER'S RECOMMENDATIONS. SUBMIT FOR REVIEW AND APPROVAL. INSTALL ALL COMPONENTS PER MANUFACTURER'S LATEST PUBLISHED INSTALLATION MANUAL AND IN ACCORDANCE WITH ALL STATE CODES.

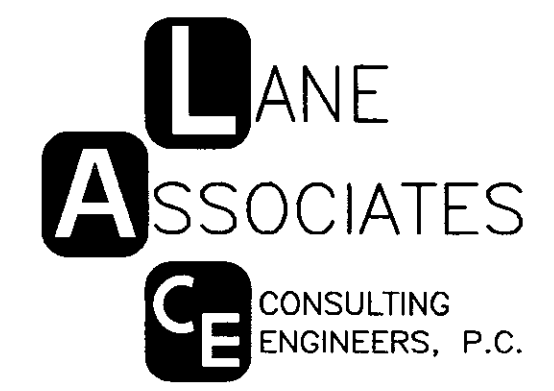


VERTICAL SEPARATED COMBUSTION / VENT DETAIL
NOT TO SCALE

NOTE: SIZE VENT PIPE AND COMBUSTION AIR PIPE PER MANUFACTURER'S RECOMMENDATIONS. SUBMIT FOR REVIEW AND APPROVAL. INSTALL ALL COMPONENTS PER MANUFACTURER'S LATEST PUBLISHED INSTALLATION MANUAL AND IN ACCORDANCE WITH ALL STATE CODES.



NO.	ISSUED FOR	DATE
	OWNERS REVIEW	09/2004



HEATING, VENTILATION, & AIR CONDITIONING,
PLUMBING, FIRE PROTECTION, & ELECTRICAL

CHARLES F. LANE, P.E.
DANIEL W. DUPRAS, P.E.

51 KILLINGTON AVENUE,
RUTLAND, VERMONT 05701
TELEPHONE: (802)747-3346
FAX/MODEM: (802)747-3356

FIRST AND MEZZANINE FLOOR PLANS
HEATING SYSTEM AND DETAILS

CASTLETON AOT GARAGE
DISTRICT 3 CASTLETON, VT 05735
NEW HEATING SYSTEM

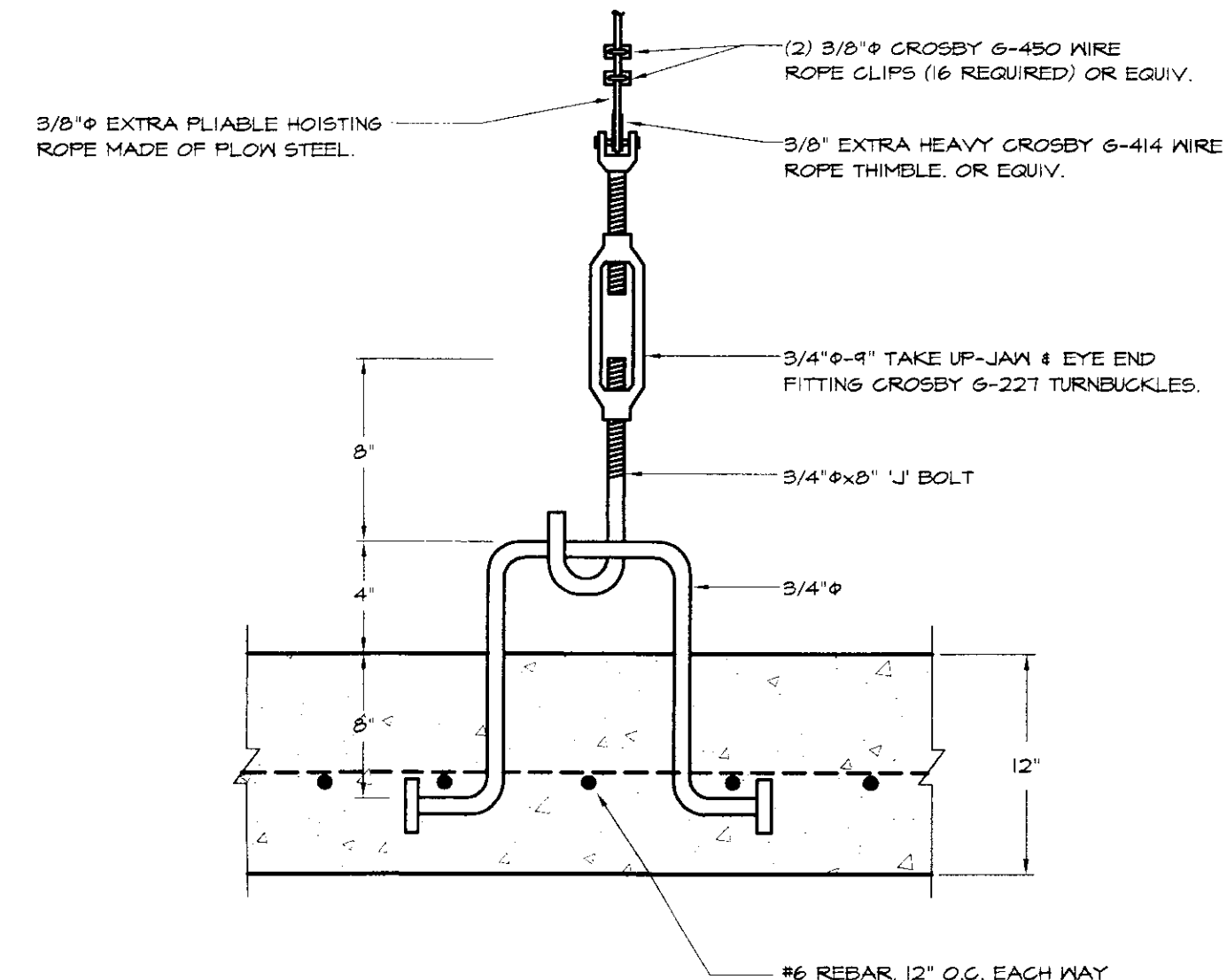
M
2

APPR: DWD DRAWN: KPC SCALE: AS NOTED PROJ. NO. 0312-04

X:\031209\Drawings\Mech\031209M02.dwg, M2, 09/09/2004, 10:35:37 AM © LANE ASSOCIATES CONSULTING ENGINEERS P.C. 2004

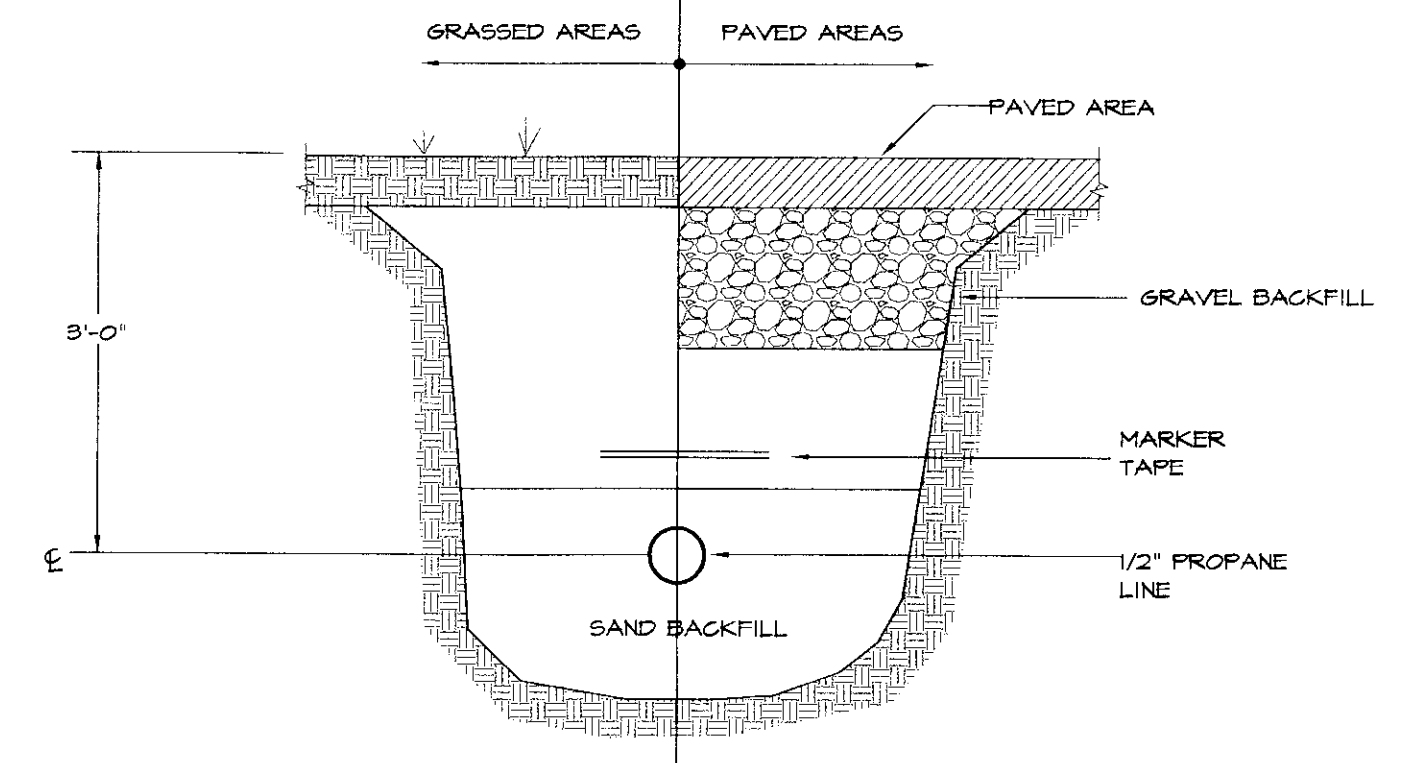
GAS FIRED UNIT HEATER SCHEDULE										PLAN SYMBOL
No.	MANUFACTURER	MODEL	CFM AT 0" E.S.P.	MBH LP GAS INPUT	MBH LP GAS OUTPUT	FAN DRIVE	MODEL			REMARKS
							H.P.	VOLT	PH	
6UH-1	REZNOR	UDBS-300	3074	300	241	BELT	1 1/2	240	1	NOTE 1
6UH-2	REZNOR	UDBS-300	3074	300	241	BELT	1 1/2	240	1	NOTE 1
6UH-3	REZNOR	UDBS-150	1591	150	124.5	BELT	1/4	115	1	NOTE 1
6UH-4	REZNOR	UDBS-45	456	45	36.9	BELT	1/6	115	1	NOTE 2

NOTES:
 1) PROVIDE ALL STANDARD FEATURES INCLUDING THE FOLLOWING FACTORY INSTALLED OPTIONS: PROPANE SERVICE, TWO STAGE CONTROL, 404 STAINLESS STEEL HEAT EXCHANGER, ADJUSTABLE BELT DRIVE MOTOR, TOTALLY ENCLOSED MOTOR, BLOWER AND BELT GUARDS. PROVIDE THE FOLLOWING FIELD INSTALLED ACCESSORIES: COMBUSTION AND VENT KIT, TWO STAGE THERMOSTAT.
 2) PROVIDE ALL STANDARD FEATURES INCLUDING THE FOLLOWING FACTORY INSTALLED OPTIONS: PROPANE SERVICE, TWO STAGE CONTROL, 404 STAINLESS STEEL HEAT EXCHANGER, ADJUSTABLE MULTI-TAP DIRECT DRIVE MOTOR, DUCT FLANGE, TOTALLY ENCLOSED MOTOR, BLOWER GUARD. PROVIDE THE FOLLOWING FIELD INSTALLED ACCESSORIES: COMBUSTION AND VENT KIT, TWO STAGE HEATING THERMOSTAT.

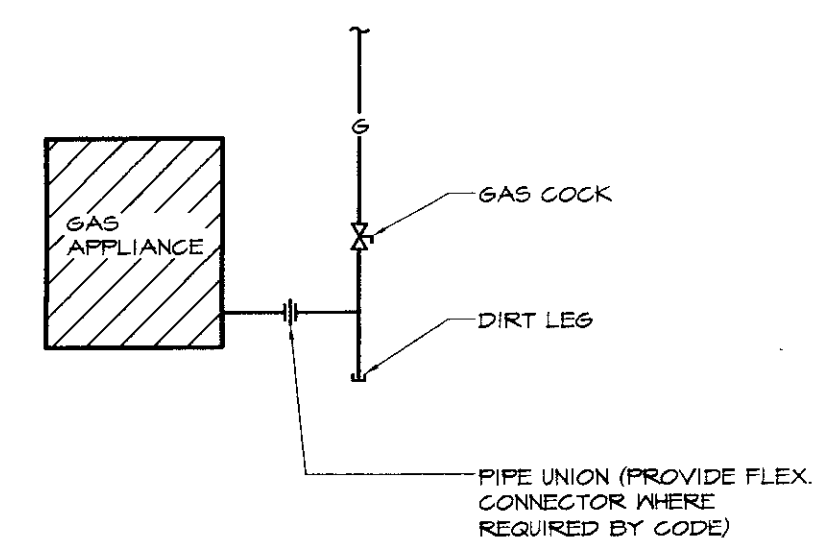


TANK ANCHOR BOLT DETAIL
NOT TO SCALE

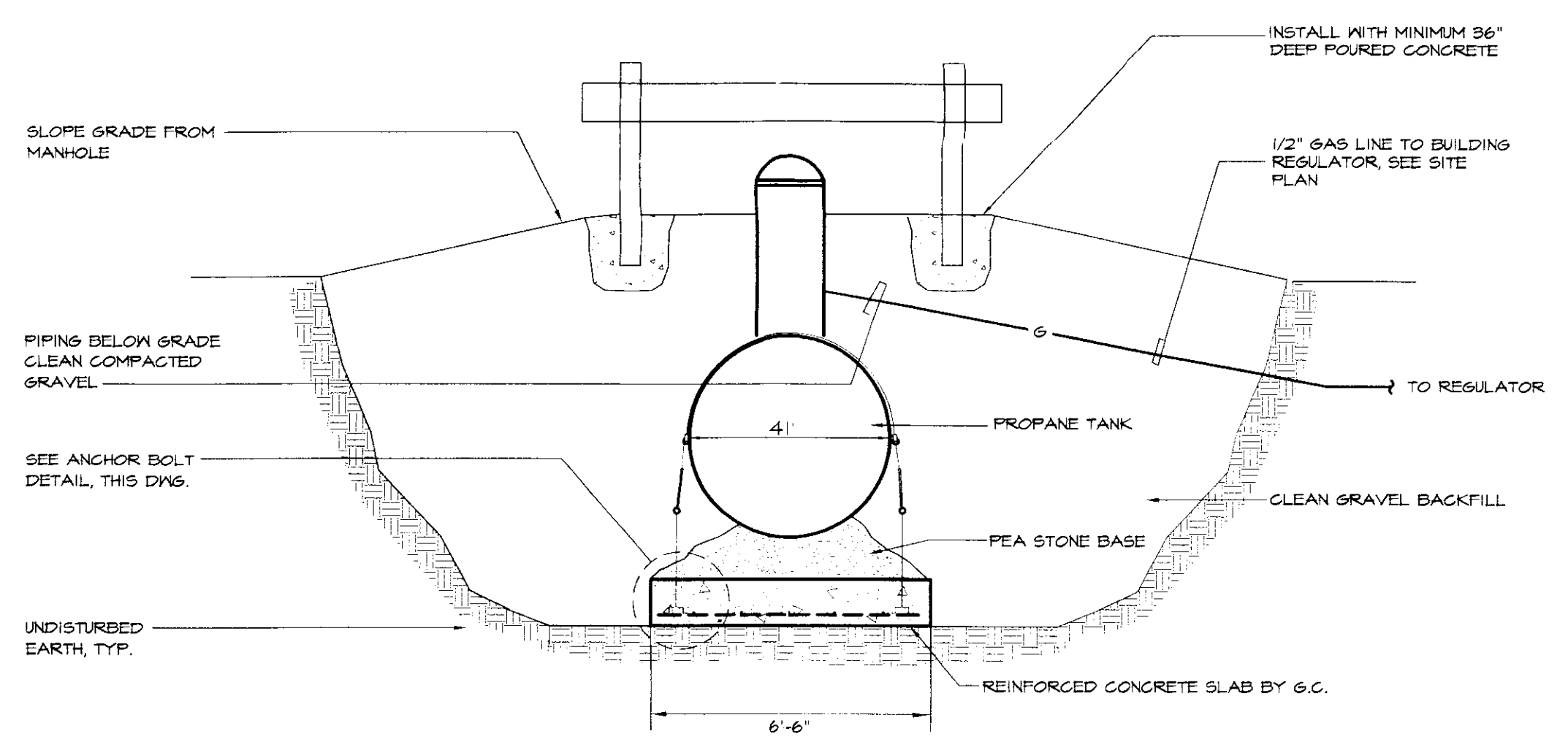
NOTE:
TANK, REGULATORS, PIPING AND ACCESSORIES INCLUDING 1ST AND 2ND STAGE REGULATORS TO BE FURNISHED AND INSTALLED BY CONTRACTOR.



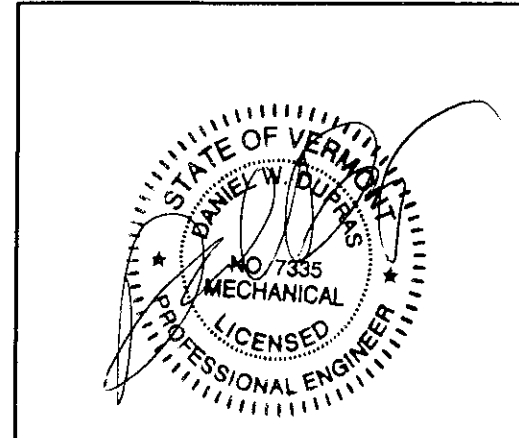
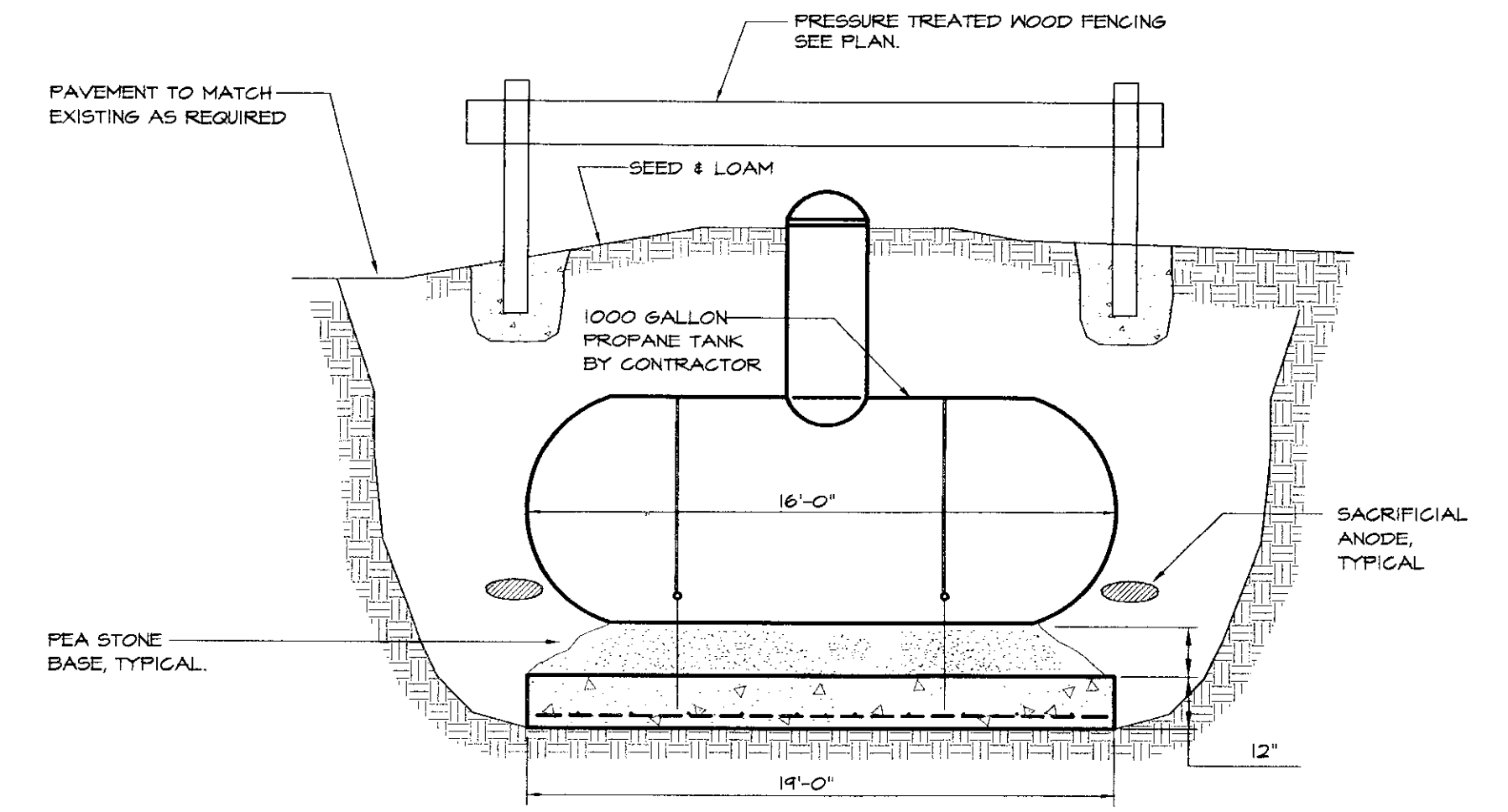
PROPANE SUPPLY PIPE TRENCHING DETAIL
NOT TO SCALE



GAS APPLIANCE CONNECTION DETAIL
NOT TO SCALE



UNDERGROUND PROPANE TANK DETAILS
NOT TO SCALE



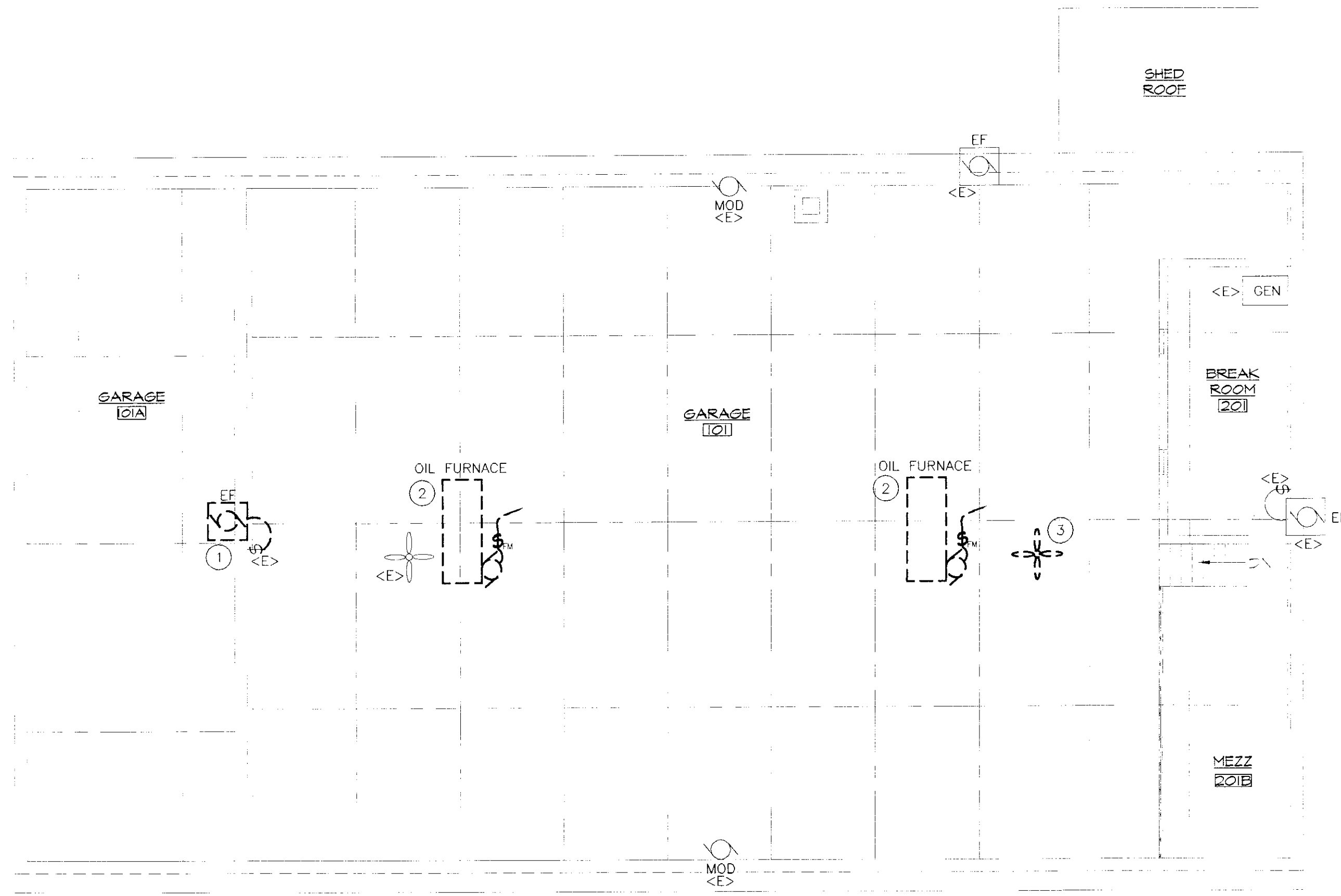
NO.	ISSUED FOR	DATE
1	OWNERS REVIEW	09/2004



HEATING, VENTILATION, & AIR CONDITIONING, PLUMBING, FIRE PROTECTION, & ELECTRICAL
 CHARLES F. LANE, P.E.
 DANIEL W. DUPRAS, P.E.
 51 KILLINGTON AVENUE,
 RUTLAND, VERMONT 05701
 TELEPHONE: (802)747-3346
 FAX/MODEM: (802)747-3356

MECHANICAL SCHEDULES AND DETAILS				
CASTLETON AOT GARAGE DISTRICT 3 CASTLETON, VT 05735 NEW HEATING SYSTEM				
APPR:	DWD	DRAWN:	KPC	SCALE: AS NOTED
PROJ. NO.				0312-09

M
3



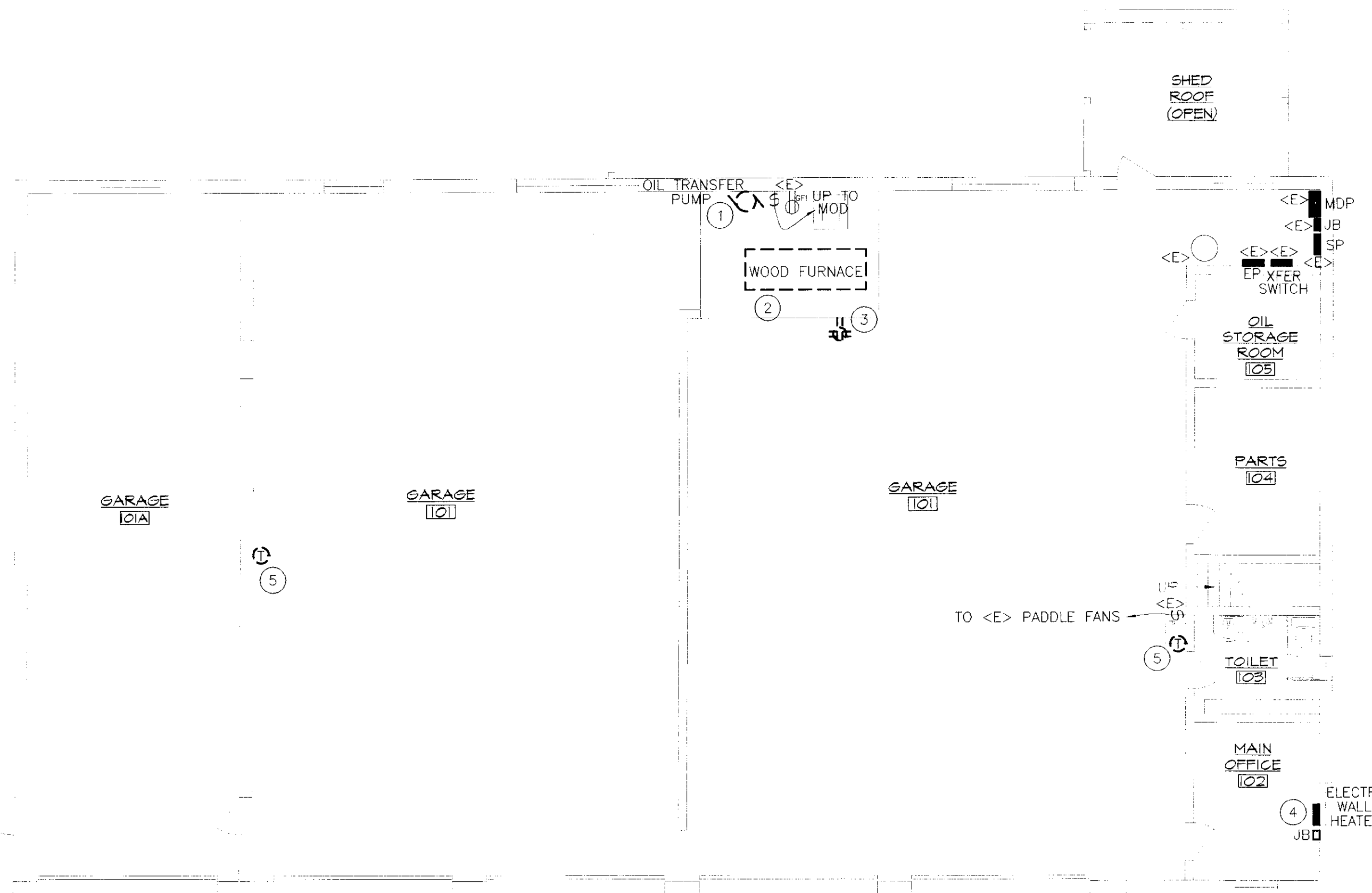
- KEYED NOTES:**
- 1 REMOVE & RELOCATE EXISTING EXHAUST FAN. RE-USE EXISTING SWITCH & CIRCUIT. REFER TO NEW POWER PLAN.
 - 2 REMOVE ALL WIRING & ASSOCIATED CONTROLS FOR EXISTING OIL FURNACES.
 - 3 REMOVE & RELOCATE EXISTING PADDLE FAN AS REQUIRED FOR INSTALLATION OF NEW GAS HEATERS. REFER TO NEW POWER DRAWINGS. RE-USE EXISTING CONTROL & CIRCUIT.

- DEMOLITION NOTES:**
- A. EQUIPMENT AND MATERIALS REMOVED OR DEMOLISHED AND NOT TO BE REINSTALLED BY THE EC SHALL BE CLASSIFIED BY THE OWNER AS SALVAGE OR SCRAP. THOSE CLAIMED BY THE OWNER SHALL BE DELIVERED TO THE OWNER BY THE EC WHERE DIRECTED AT THE SITE. THOSE NOT CLAIMED BY THE OWNER SHALL BECOME PROPERTY OF THE EC AND SHALL BE LEGALLY REMOVED FROM THE SITE AND PREMISES.
 - B. ANY PLACE WHERE THE CONTRACTOR PENETRATES, CUTS AND/OR REMOVES WALLS, CONTRACTOR IS TO REPLACE, PATCH AND PAINT WALLS TO ORIGINAL FINISHES.
 - C. FIELD VERIFY ALL DIMENSIONS BEFORE COMMENCEMENT OF WORK. NOTIFY ENGINEER OF ANY ERRORS.
 - D. REFER TO THE MECHANICAL PLANS FOR EXTENT OF DEMOLITION WORK TO BE PERFORMED BY OTHER CONTRACTORS. ALL ITEMS THAT NEED TO BE REMOVED, SHALL HAVE THE POWER DISCONNECTED BY THE EC.
 - E. NOT ALL DEVICES TO BE REMOVED OR DISCONNECTED ARE SHOWN. REFER TO MECH. PLANS FOR TOTAL EXTENT OF DEMOLITION WORK.
 - F. BUILDING IS EXISTING. WIRING IN EXTERIOR WALLS SHALL BE FISHED OR SURFACE-MOUNTED AS NECESSARY. INTERIOR PARTITIONS ARE EXISTING. WIRING IN THESE WALLS MAY NEED TO BE FISHED. VISIT THE SITE FOR FULL EXTENT OF EXISTING CONDITIONS. NO SURFACE RACEWAY TO BE INSTALLED WITHOUT WRITTEN AUTHORIZATION FROM ARCHITECT.

MEZZANINE LEVEL DEMOLITION PLAN
SCALE: 1/8" = 1'-0"

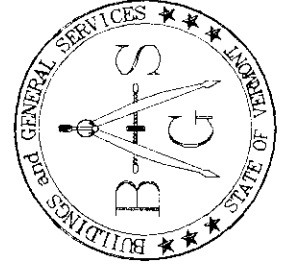


ELECTRICAL LEGEND			
\$	SWITCH - SINGLE POLE	AFG	ABOVE FINISH GRADE
\$ _{FW}	SWITCH - FIREMATIC	AFF	ABOVE FINISH FLOOR
\$ _C	EMERGENCY SHUT-OFF SWITCH WITH RED PLATE	EC	ELECTRICAL CONTRACTOR (DIVISION 16)
\$ _F	SWITCH - FAN SPEED CONTROLLER	MC	MECHANICAL CONTRACTOR (DIVISION 15)
⊠	MOTOR STARTER PROV. BY MC, INSTALLED BY EC	WP	WEATHERPROOF, NEMA 3R RATED
□	SAFETY DISCONNECT PROV. AND INSTALLED BY EC.	GC	GENERAL CONTRACTOR
▨	PANEL	ES	EQUIPMENT SUPPLIER
↗	BRANCH CIRCUIT	TYP.	TYPICAL OF ALL
□ _{JB}	JUNCTION BOX	MOD	MOTOR-OPERATED-DAMPER
⊕ _{GFI}	DUPLEX RECEPTACLE-GFCI PROTECTED	GEN	GENERATOR
⊖	THERMOSTAT, PROVIDED & WIRED BY MC	⊖	MOTOR
		<E>	EXISTING TO REMAIN

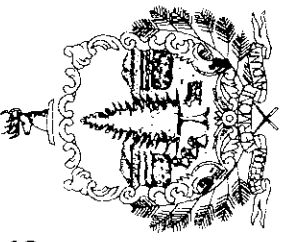


- KEYED NOTES:**
- 1 REMOVE OIL TRANSFER PUMP, CONTROLS, & ALL ASSOCIATED WIRING IN THIS AREA BACK TO SOURCE.
 - 2 REMOVE ALL WIRING & ASSOCIATED CONTROLS FOR EXISTING WOOD FURNACE.
 - 3 REMOVE & RELOCATE EXISTING QUAD RECEPTACLE TO BACK WALL. REFER TO NEW POWER DRAWINGS. RE-USE EXISTING CIRCUIT.
 - 4 REMOVE EXISTING ELECTRIC HEATER, CONDUIT, & J-BOX BACK TO SOURCE.
 - 5 REMOVE T-STATS & WIRING BACK TO SOURCE.

FIRST FLOOR DEMOLITION PLAN
SCALE: 1/8" = 1'-0"



STATE OF VERMONT
Department of Buildings
and General Services
Agency of Administration
Montpelier, Vermont

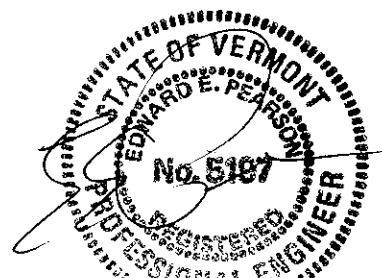


Pearson & Associates
MECHANICAL & ELECTRICAL ENGINEERS
P.O. BOX 610, STOWE, VERMONT 05672
TEL. (802) 253-9807 FAX. (802) 253-9290
EMAIL: pearson@stowevt.net

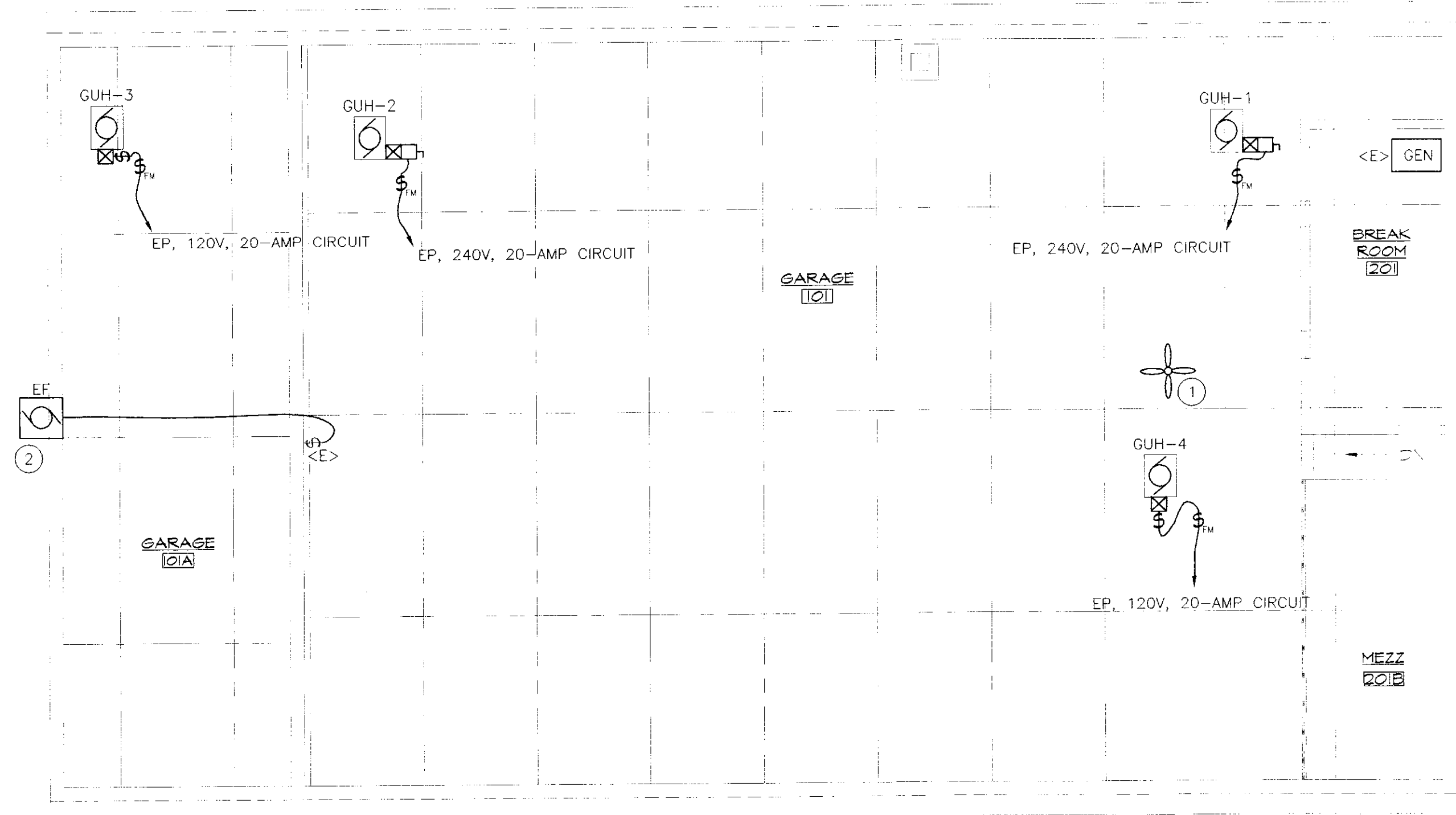
AGENCY OF TRANSPORTATION
CASTLETON MAINTENANCE
GARAGE HEATING RENOVATIONS
RUTLAND VERMONT

REVISIONS	SCALE: AS SHOWN	DATE: DEC. 2002	DRAWN BY: ASC	APPR. BY: FEP

AGENCY OF TRANSPORTATION
GARAGE & OFFICES
ELECTRICAL DEMO PLAN

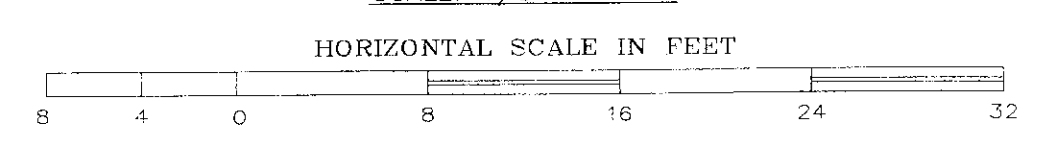


E-1

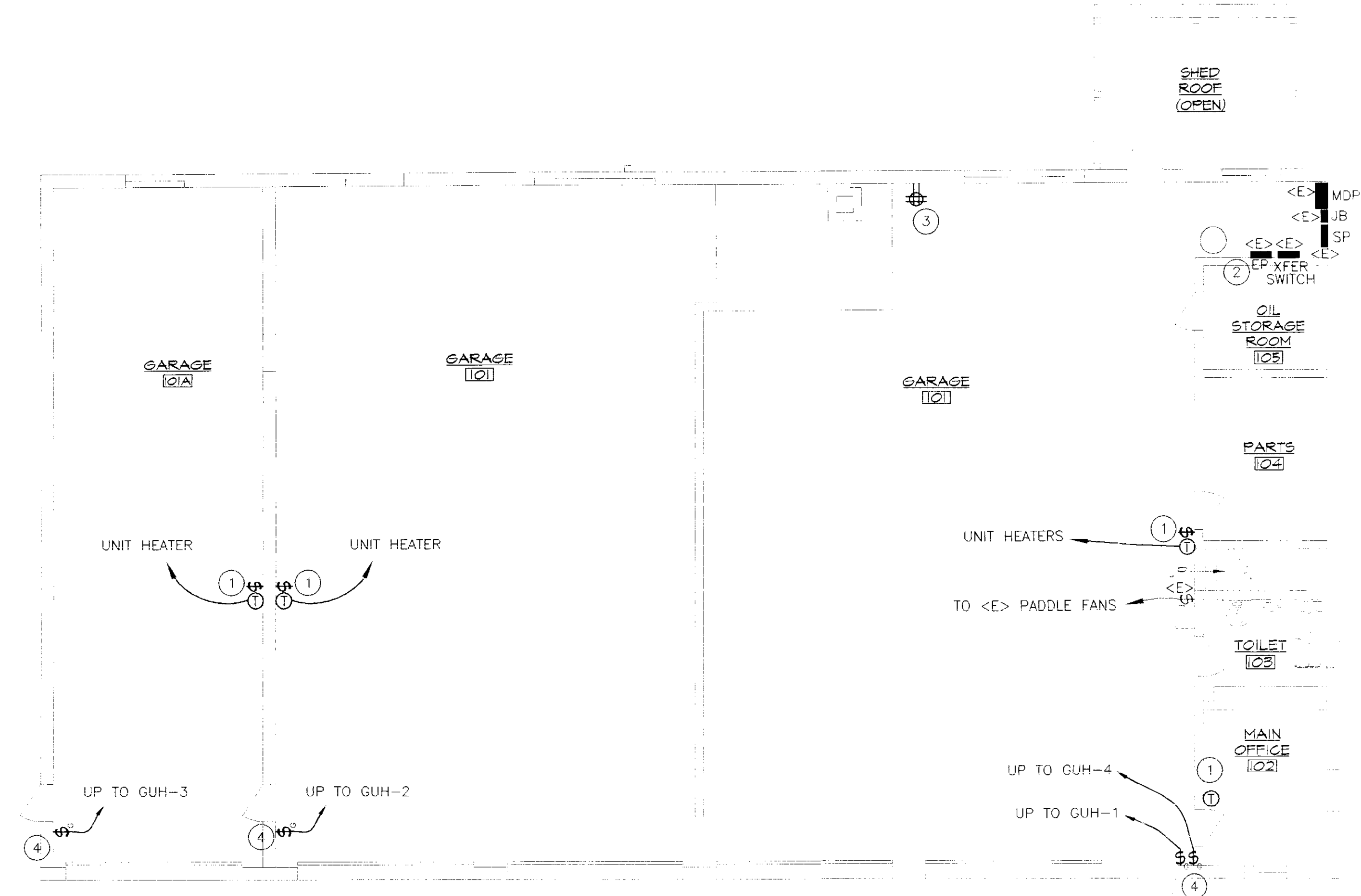


- KEYED NOTES:**
- 1 LOCATION OF RELOCATED PADDLE FAN, COORDINATE EXACT LOCATION WITH MECHANICAL CONTRACTOR AND GAS UNIT HEATERS
 - 2 LOCATION OF RELOCATED EXHAUST FAN, COORDINATE EXACT LOCATION WITH MECHANICAL CONTRACTOR. INSTALLATION BY MC, EXTEND EXISTING CIRCUIT AS REQUIRED, WIRING BY EC.

MEZZANINE LEVEL NEW WORK PLAN
SCALE: 1/8" = 1'-0"

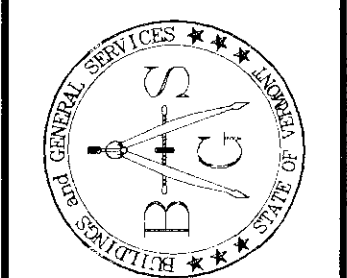
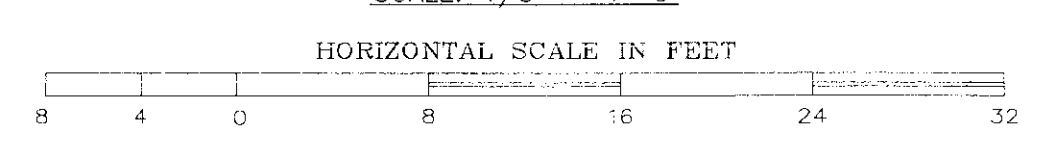


- GENERAL NOTES:**
- ANY PLACE WHERE THE CONTRACTOR PENETRATES, CUTS AND/OR REMOVES WALLS, CEILING, OR WOODWORK, CONTRACTOR IS TO REPLACE, PATCH AND PAINT FINISH SURFACES TO ORIGINAL FINISHES.
 - FIELD VERIFY ALL DIMENSIONS BEFORE COMMENCEMENT OF WORK IS TO BEGIN. NOTIFY ENGINEER OF ANY ERRORS.
 - REFER TO THE MECHANICAL PLANS FOR FINAL LOCATIONS OF EQUIPMENT. COORDINATE LOCATIONS OF ALL THE ELECTRICAL CONNECTIONS WITH MC PRIOR TO ELECTRICAL ROUGH-IN WIRING.
 - EC TO PROVIDE AND INSTALL ALL DISCONNECT SWITCHES, MC TO PROVIDE ALL MOTOR STARTERS, EC TO INSTALL.

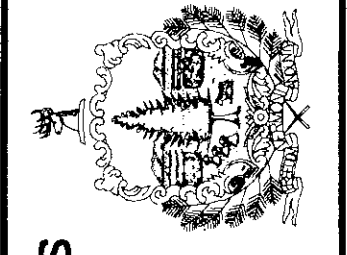


- KEYED NOTES:**
- 1 24-VOLT T-STAT & "SUMMER FAN" SWITCH BY MC. LOW VOLTAGE WIRING BY MC.
 - 2 PANEL EP IS A SQUARE D HOMELINE LOADCENTER WITH TYPE HOM BREAKERS. PROVIDE ALL NEW BREAKERS FOR NEW CIRCUITS AS REQUIRED.
 - 3 LOCATION OF RELOCATED QUAD RECEPTACLE, CHANGE TO GFI PROTECTED RECEPTACLES, RE-USE & EXTEND EXISTING CIRCUIT AS REQUIRED.
 - 4 PROVIDE EMERGENCY SHUT-OFF SWITCHES FOR EACH GAS HEATER. SWITCH SHALL HAVE RED "GAS" PLATE. USE 2-POLE SWITCHES FOR 240V UNITS.

FIRST FLOOR NEW WORK PLAN
SCALE: 1/8" = 1'-0"



STATE OF VERMONT
Department of Buildings
and General Services
Agency of Administration
Montpelier, Vermont



Pearson & Associates
MECHANICAL & ELECTRICAL ENGINEERS
P.O. BOX 510 STOWE, VERMONT 05672
TEL. (802) 253-9607 FAX. (802) 253-9990
EMAIL: pearson@stowe.net

AGENCY OF TRANSPORTATION
CASTLETON MAINTENANCE
GARAGE HEATING RENOVATIONS
RUTLAND VERMONT

REVISIONS
SCALE: AS SHOWN
DATE: DEC. 2004
DRAWN BY: ASG
APPR. BY: EEP

AGENCY OF TRANSPORTATION
GARAGE & OFFICES
ELECTRICAL
NEW WORK & DETAILS

