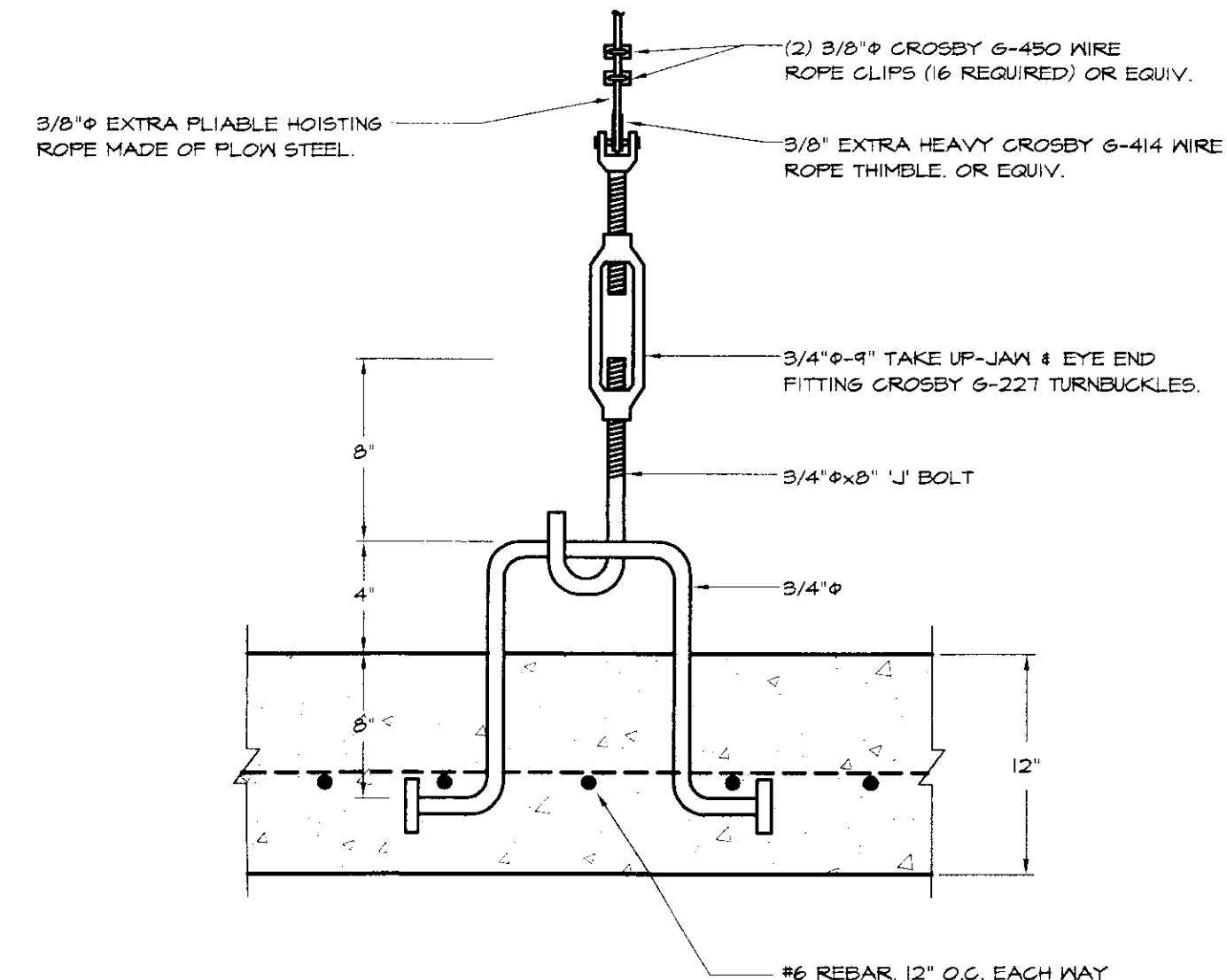


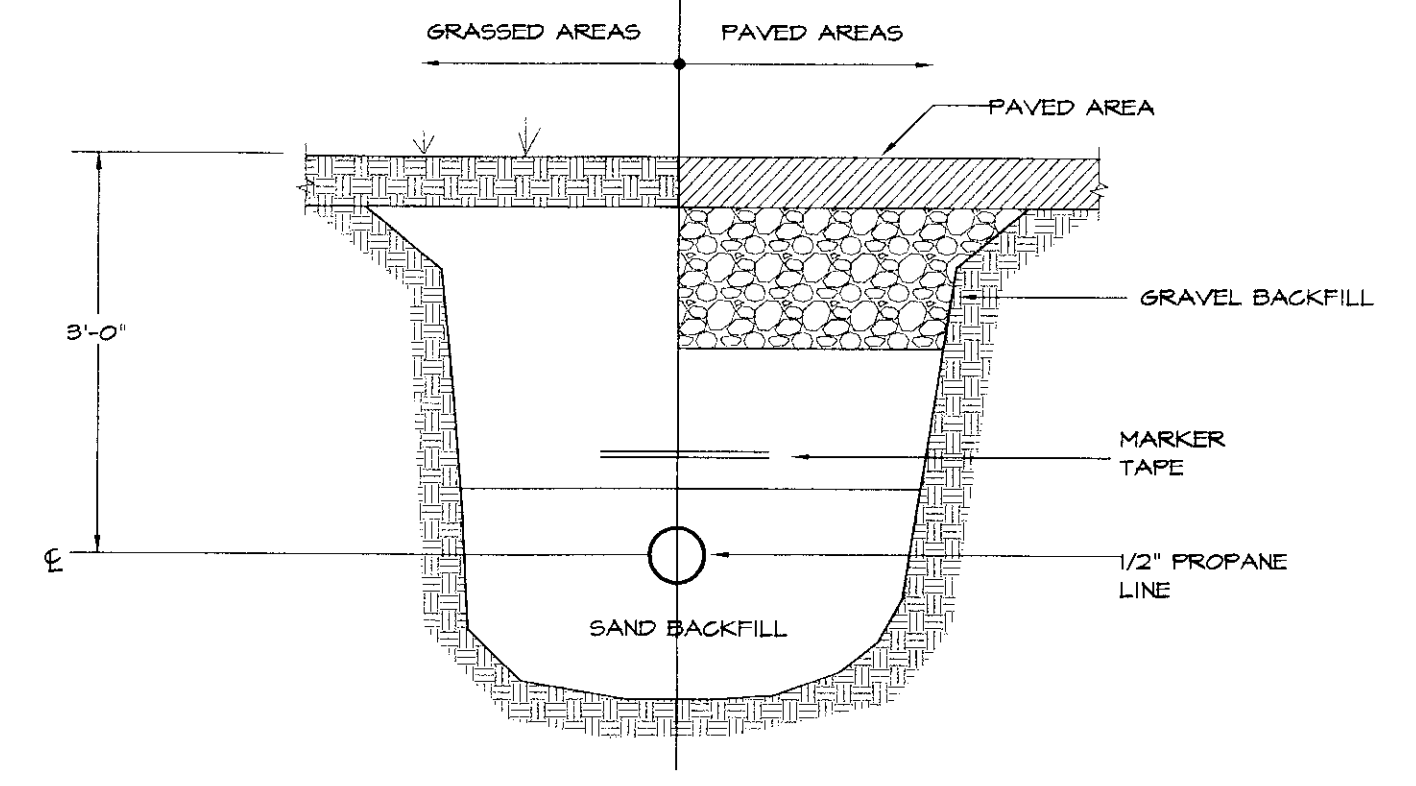
GAS FIRED UNIT HEATER SCHEDULE										PLAN SYMBOL
No.	MANUFACTURER	MODEL	CFM AT 0" E.S.P.	MBH LP GAS INPUT	MBH LP GAS OUTPUT	FAN DRIVE	MODEL			REMARKS
							H.P.	VOLT	PH	
6UH-1	REZNOR	UDBS-300	3074	300	241	BELT	1 1/2	240	1	NOTE 1
6UH-2	REZNOR	UDBS-300	3074	300	241	BELT	1 1/2	240	1	NOTE 1
6UH-3	REZNOR	UDBS-150	1591	150	124.5	BELT	1/4	115	1	NOTE 1
6UH-4	REZNOR	UDBS-45	456	45	36.9	BELT	1/6	115	1	NOTE 2

NOTES:
 1) PROVIDE ALL STANDARD FEATURES INCLUDING THE FOLLOWING FACTORY INSTALLED OPTIONS: PROPANE SERVICE, TWO STAGE CONTROL, 409 STAINLESS STEEL HEAT EXCHANGER, ADJUSTABLE BELT DRIVE MOTOR, TOTALLY ENCLOSED MOTOR, BLOWER AND BELT GUARDS. PROVIDE THE FOLLOWING FIELD INSTALLED ACCESSORIES: COMBUSTION AND VENT KIT, TWO STAGE THERMOSTAT.
 2) PROVIDE ALL STANDARD FEATURES INCLUDING THE FOLLOWING FACTORY INSTALLED OPTIONS: PROPANE SERVICE, TWO STAGE CONTROL, 409 STAINLESS STEEL HEAT EXCHANGER, ADJUSTABLE MULTI-TAP DIRECT DRIVE MOTOR, DUCT FLANGE, TOTALLY ENCLOSED MOTOR, BLOWER GUARD. PROVIDE THE FOLLOWING FIELD INSTALLED ACCESSORIES: COMBUSTION AND VENT KIT, TWO STAGE HEATING THERMOSTAT.

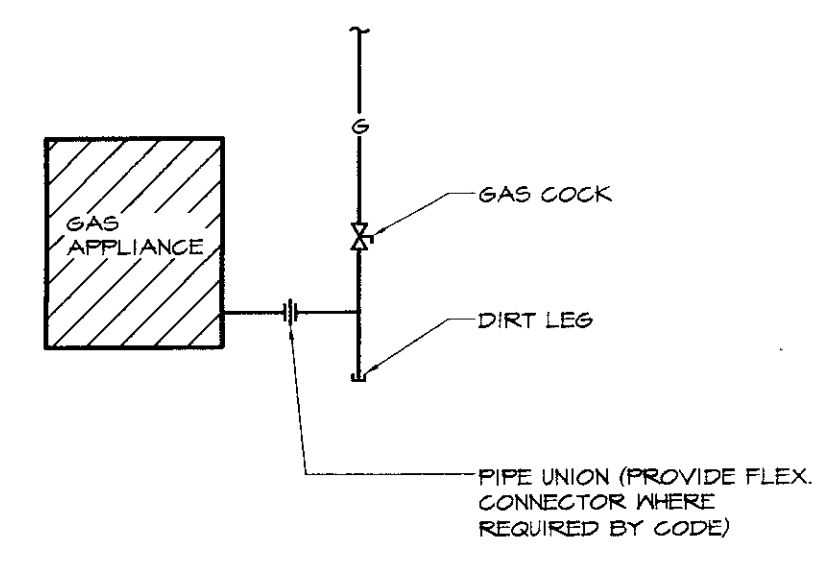


TANK ANCHOR BOLT DETAIL
NOT TO SCALE

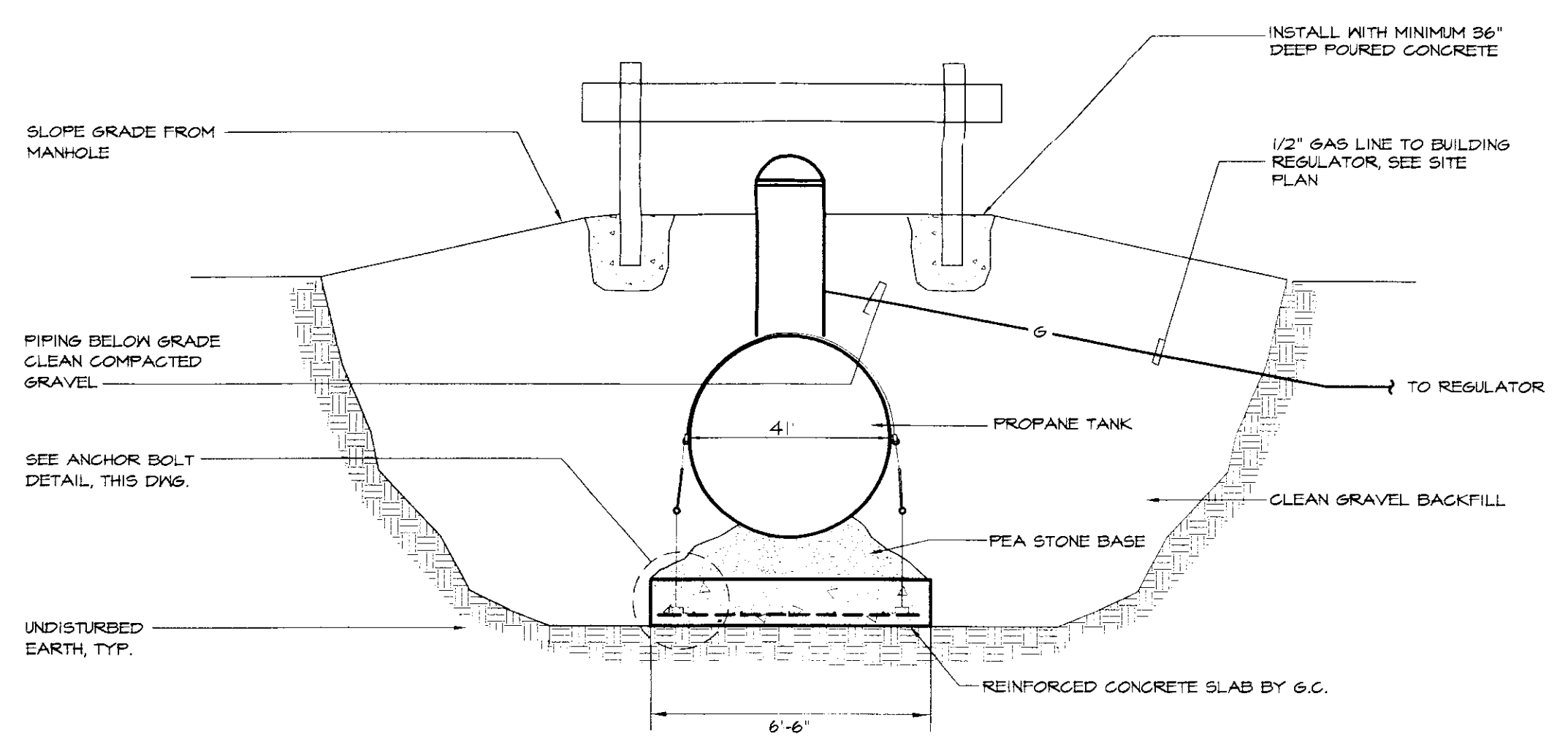
NOTE:
TANK, REGULATORS, PIPING AND ACCESSORIES INCLUDING 1ST AND 2ND STAGE REGULATORS TO BE FURNISHED AND INSTALLED BY CONTRACTOR.



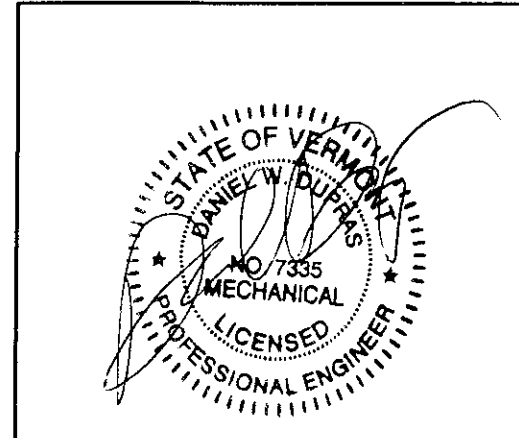
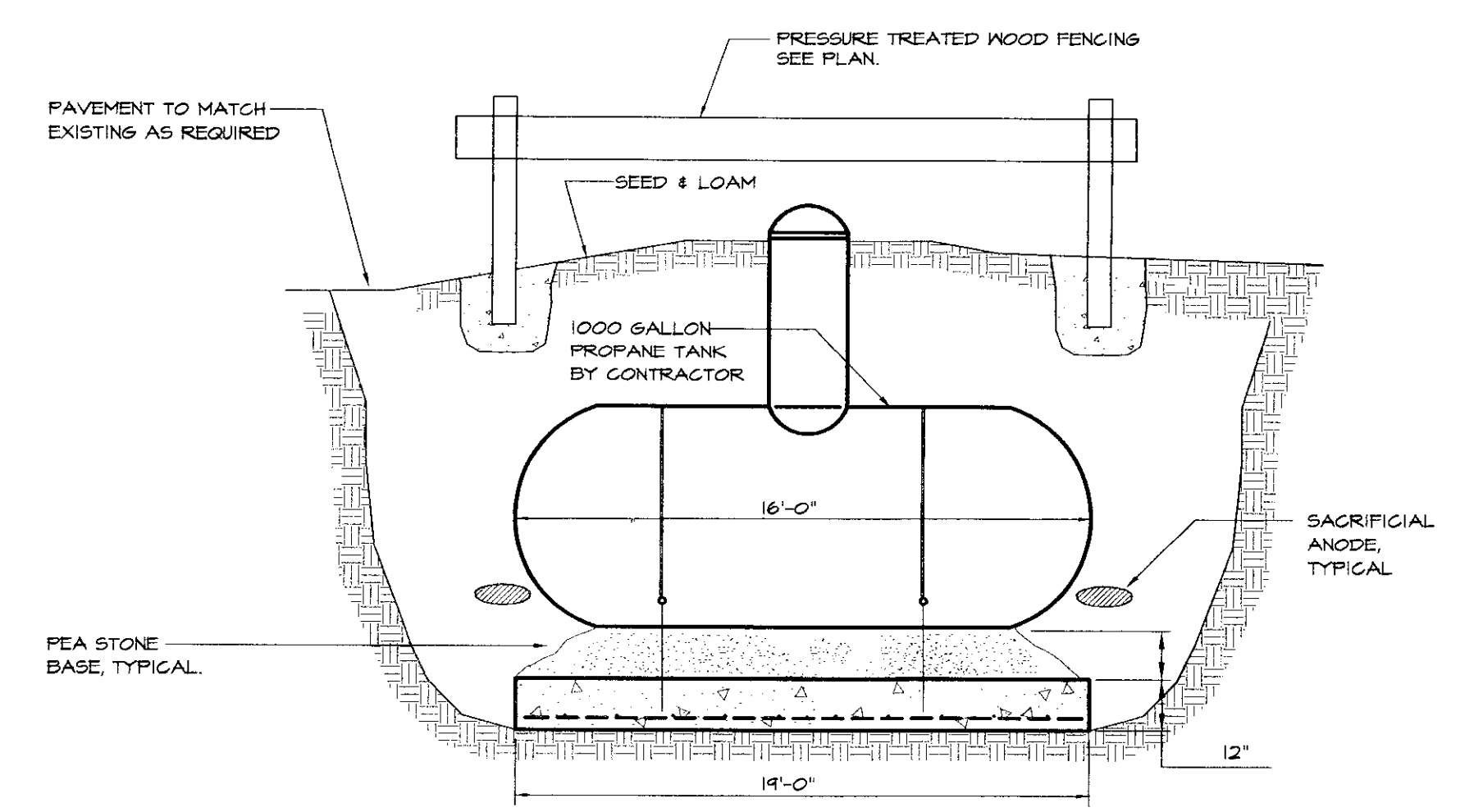
PROPANE SUPPLY PIPE TRENCHING DETAIL
NOT TO SCALE



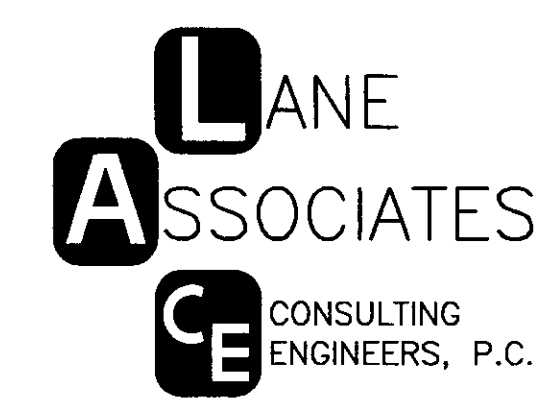
GAS APPLIANCE CONNECTION DETAIL
NOT TO SCALE



UNDERGROUND PROPANE TANK DETAILS
NOT TO SCALE



NO.	ISSUED FOR	DATE
1	OWNERS REVIEW	09/2004



HEATING, VENTILATION, & AIR CONDITIONING, PLUMBING, FIRE PROTECTION, & ELECTRICAL
 CHARLES F. LANE, P.E.
 DANIEL W. DUPRAS, P.E.
 51 KILLINGTON AVENUE,
 RUTLAND, VERMONT 05701
 TELEPHONE: (802)747-3346
 FAX/MODEM: (802)747-3356

MECHANICAL SCHEDULES AND DETAILS				
CASTLETON AOT GARAGE DISTRICT 3 CASTLETON, VT 05735 NEW HEATING SYSTEM				
APPR:	DWD	DRAWN:	KPC	SCALE: AS NOTED
PROJ. NO.	0312-09			

M
3