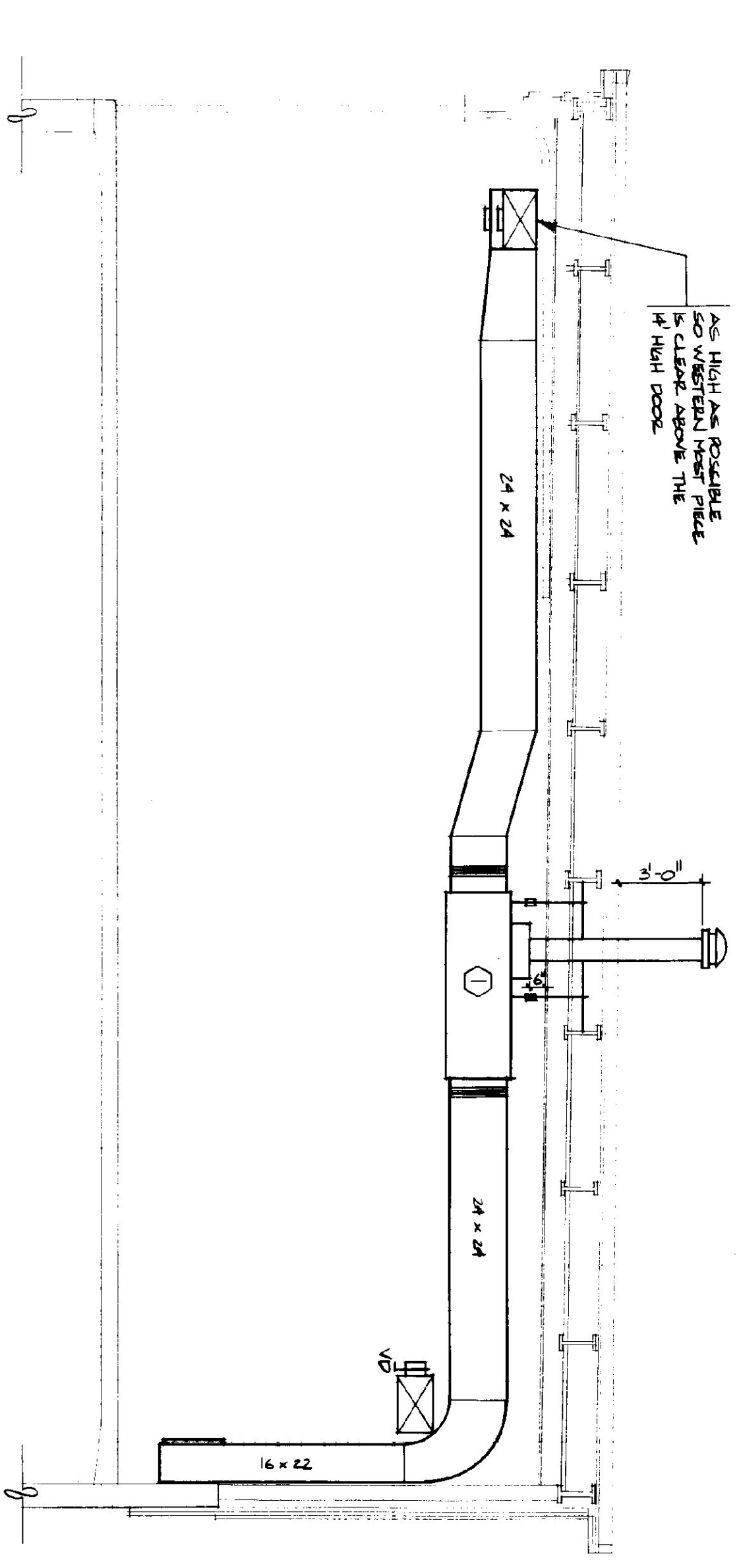
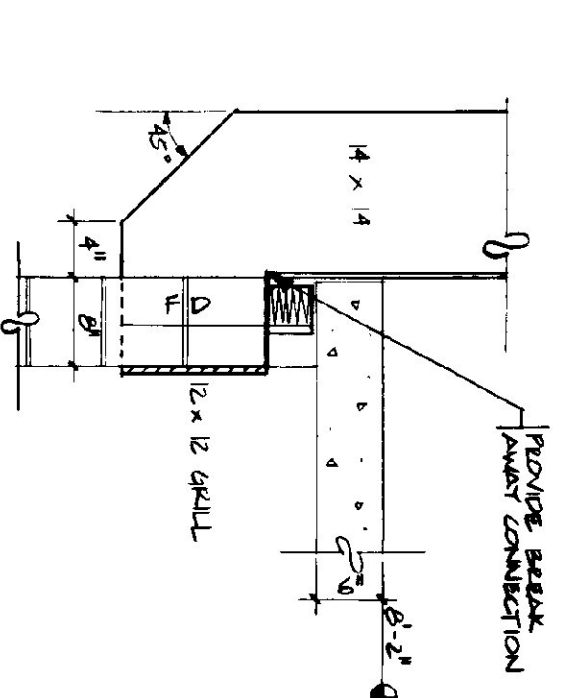


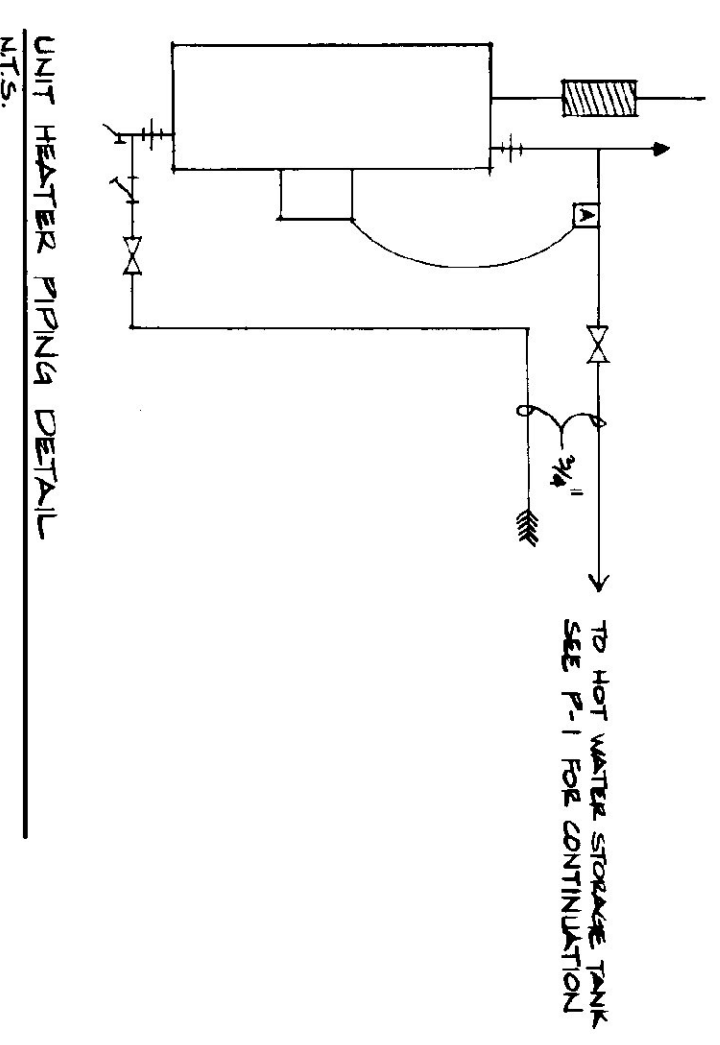
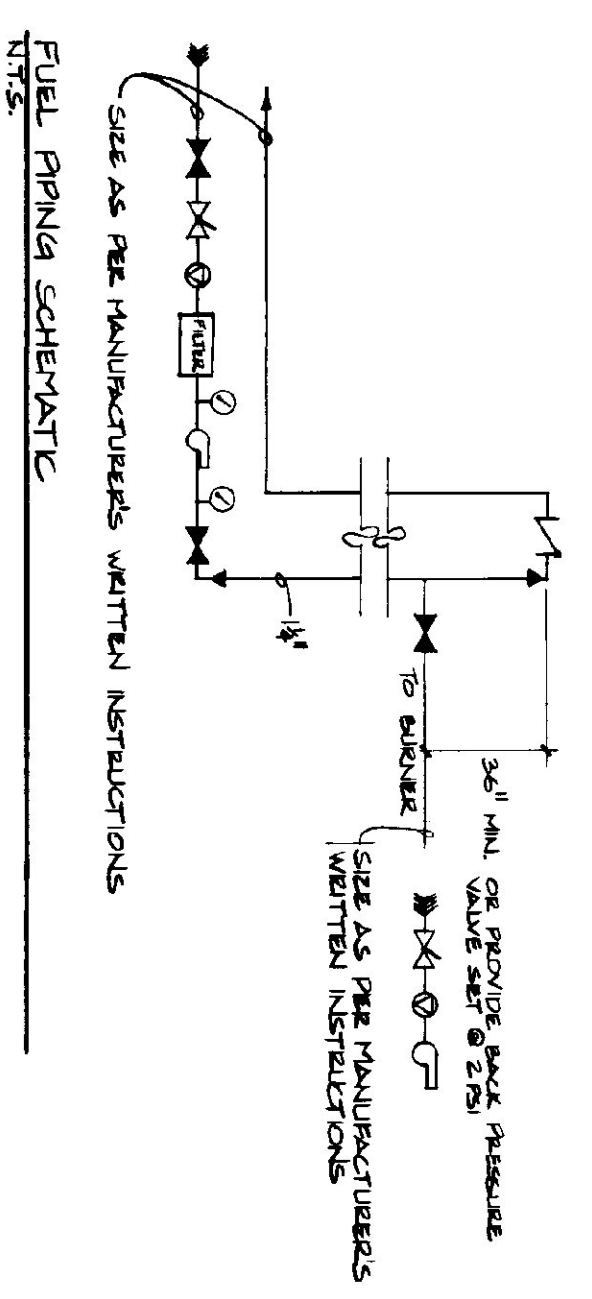
2 SECTION
SCALE: 1/4" = 1'-0"



3 SECTION
SCALE: 1/4" = 1'-0"



4 DETAIL OF AIR DUCT & OFFICE & BATHROOM
SCALE: 3/4" = 1'-0"



- LEGEND**
- FD FIRE DAMPER
 - ⊕ THERMOSTAT X: 2 = OIL/O
 - ▶ FULL ROOFED BALL VALVE
 - ⊗ FRICTION VALVE, SPRING LOADED W/ LEVER & WIRE TO FISHABLE LINK & BURIED W/ ESTATE OSV
 - ⊙ PRESSURE/VACUUM GAUGE
 - ⊥ UNION
 - ↑ AUTOMATIC AIR VENT ON 1/2 AIR CHAMBER
 - ▭ STRAP ON AQUASTAT SET @ 120°F
 - ⊣ STRAINER
 - ⊥ DRAIN
 - ▭ VENTILATION ISOLATOR

| | | | |
|--|-----------------------|------------|--------------|
| STATE OF VERMONT DEPARTMENT OF STATE BUILDINGS AGENCY OF ADMINISTRATION MONTPELIER, VERMONT | | | |
| BRANDON 4-BAY MAINTENANCE GARAGE MECHANICAL ELEVATIONS & DETAILS | | | |
| DATE: JUNE 1997 | SCALE: AS NOTED | REVISIONS: | DWG. NO. M-2 |
| DRAWN BY: J. GIBBS | APPROVED BY: J. GIBBS | | 21 OF 23 |