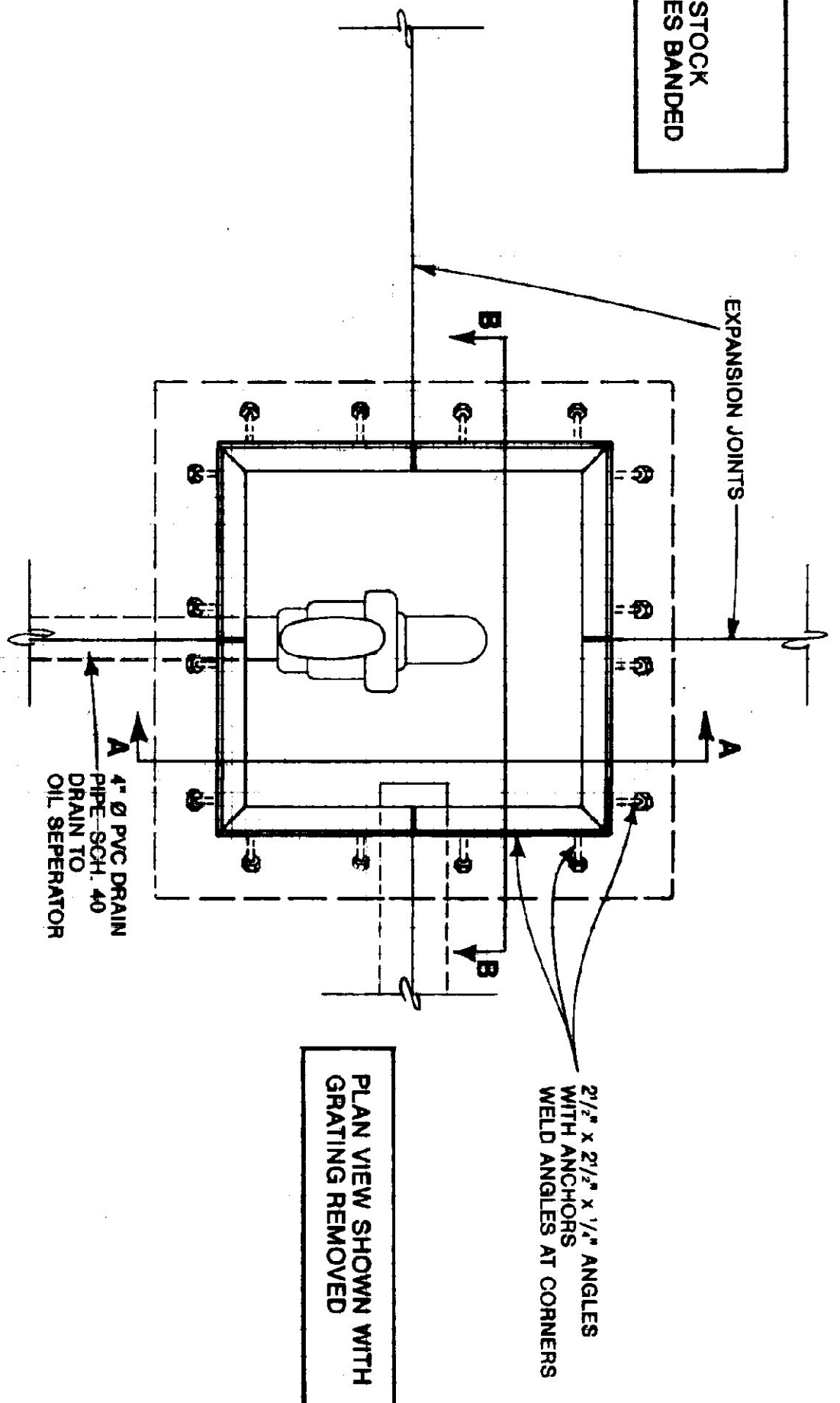
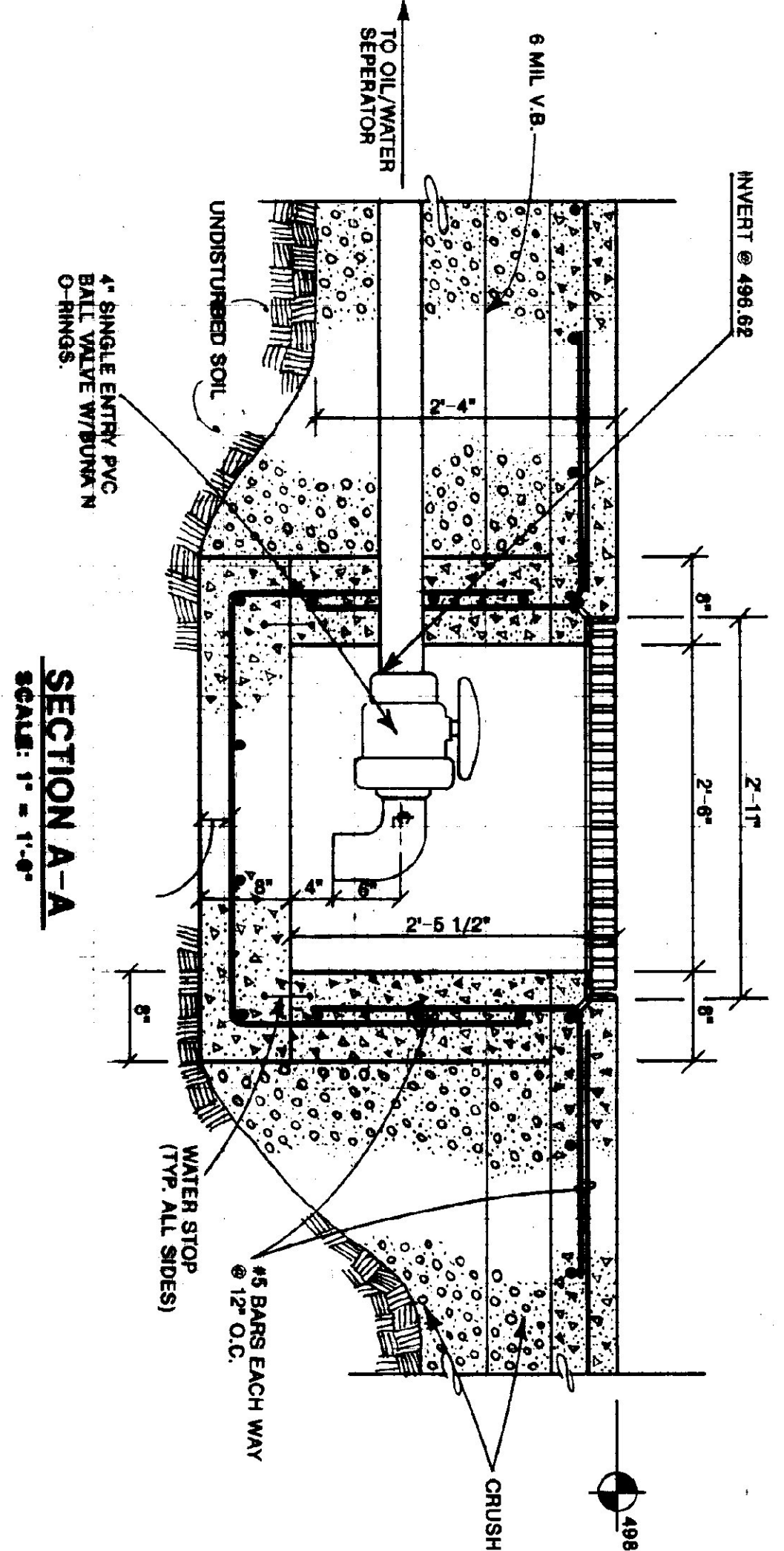


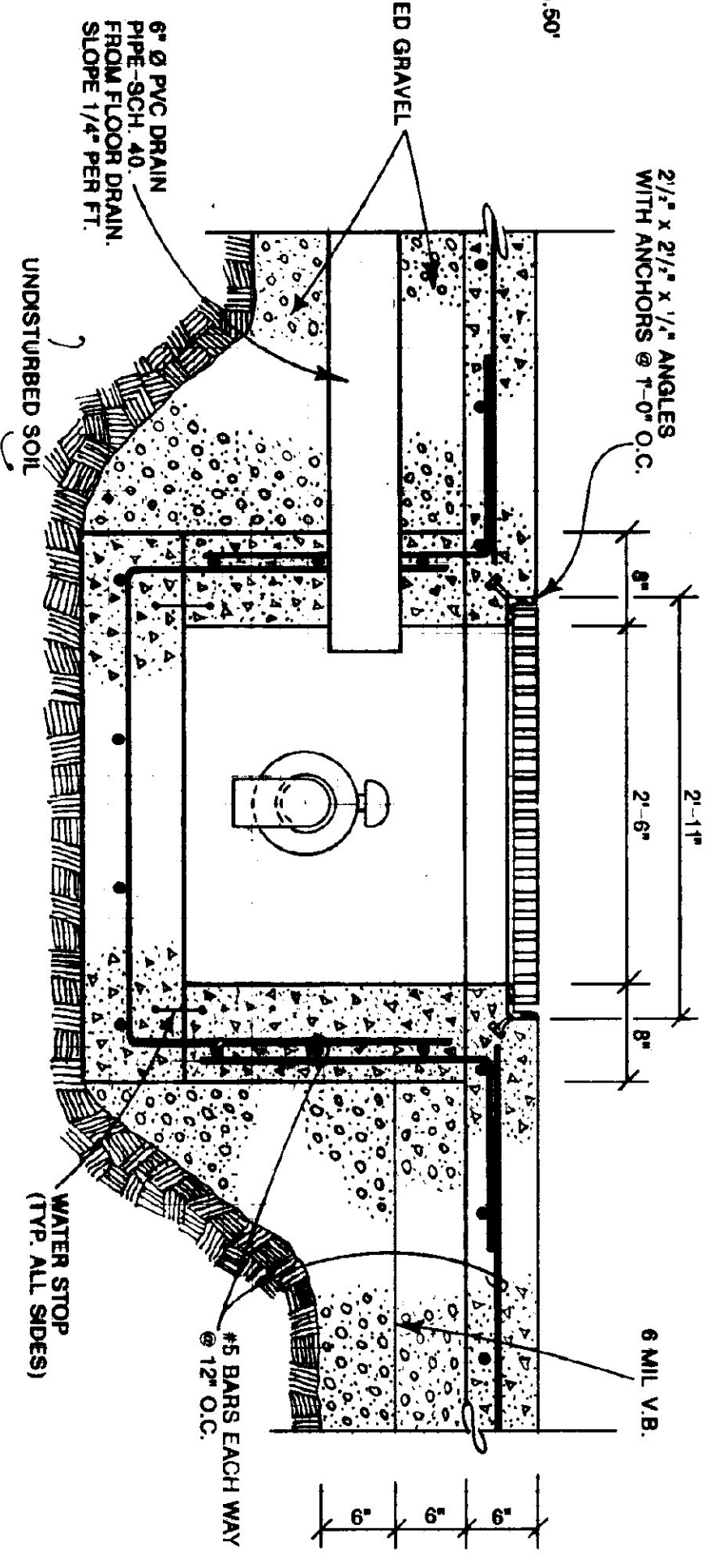
GRATING MODULES:
 12 PER SAND TRAP,
 2'-9" x 1'-4 1/2" x 2 1/2"
 @ 7 1/4" O.C. ALL EDGES BANDED



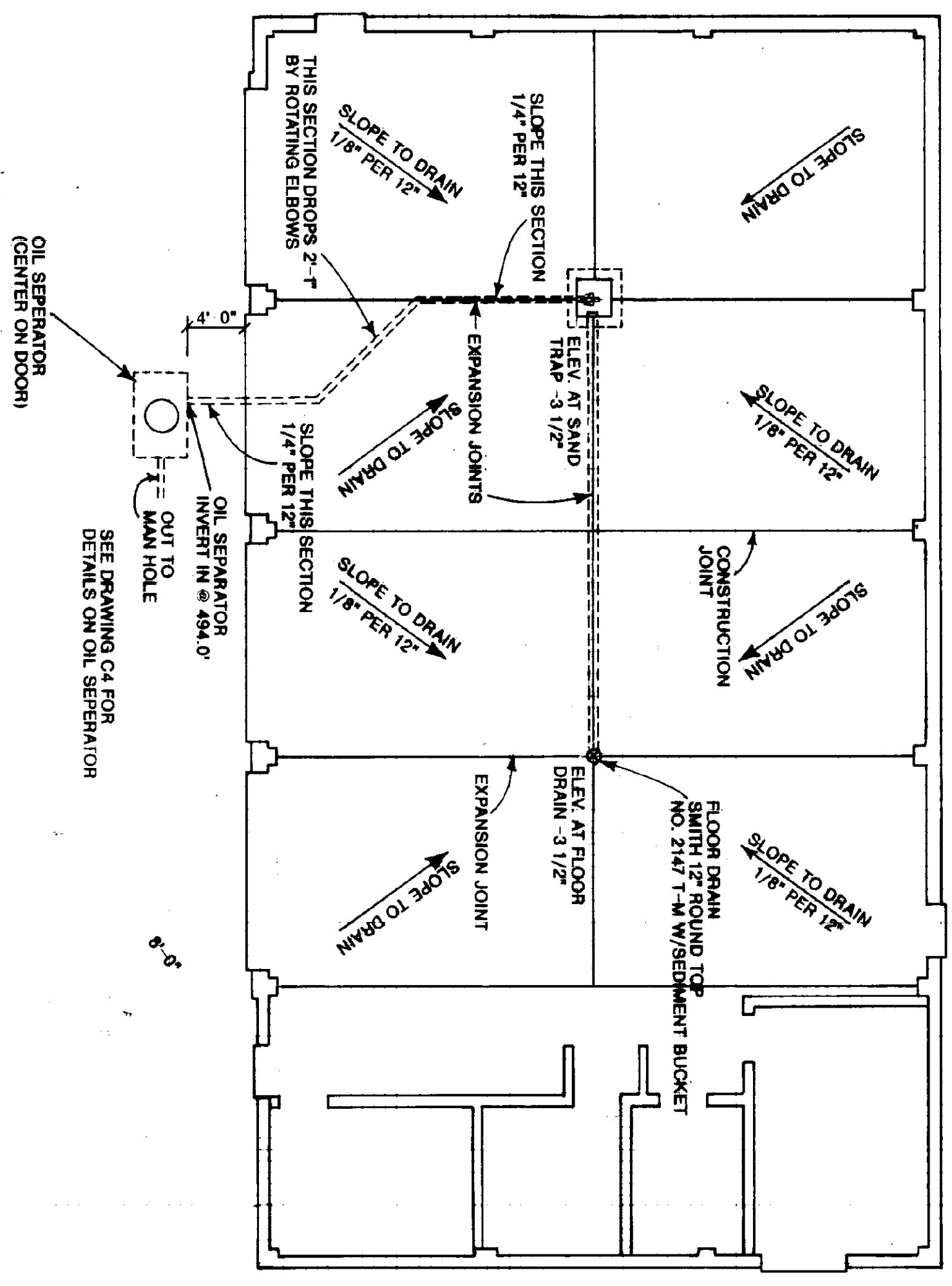
SAND TRAP PLAN VIEW
 SCALE: 1" = 1'-0"



SECTION A-A
 SCALE: 1" = 1'-0"



SECTION B-B
 SCALE: 1" = 1'-0"



DRAINAGE PLAN VIEW
 SCALE: 1/8" = 1'-0"

STATE OF VERMONT			
DEPARTMENT OF STATE BUILDINGS			
AGENCY OF ADMINISTRATION			
MONTPELIER, VERMONT			
VERMONT AGENCY OF TRANSPORTATION			
SAND TRAP PLAN & SECTIONS			
AND DRAINAGE PLAN			
4 BAY MAINTENANCE GARAGE			
VERMONT			
DATE:	SCALE:	REVISIONS:	DWG. NO.
JUNE 1997	AS NOTED		S-3
DRAWN BY:	APPROVED BY:		
A. POULIN	[Signature]		
			19 OF 23