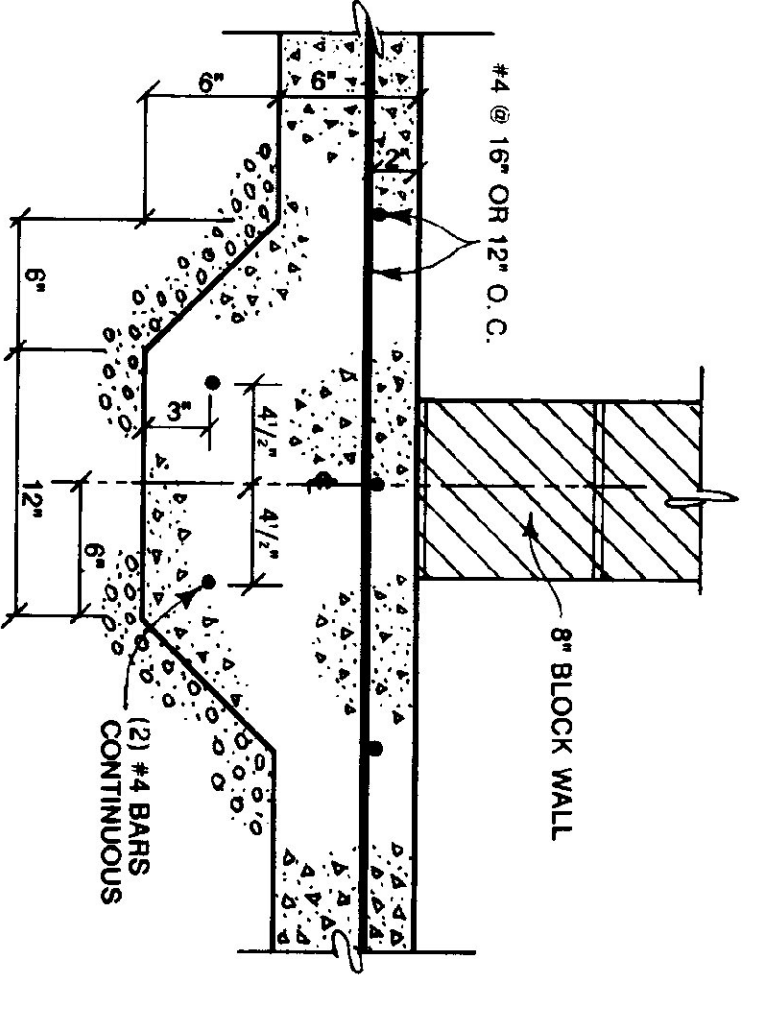
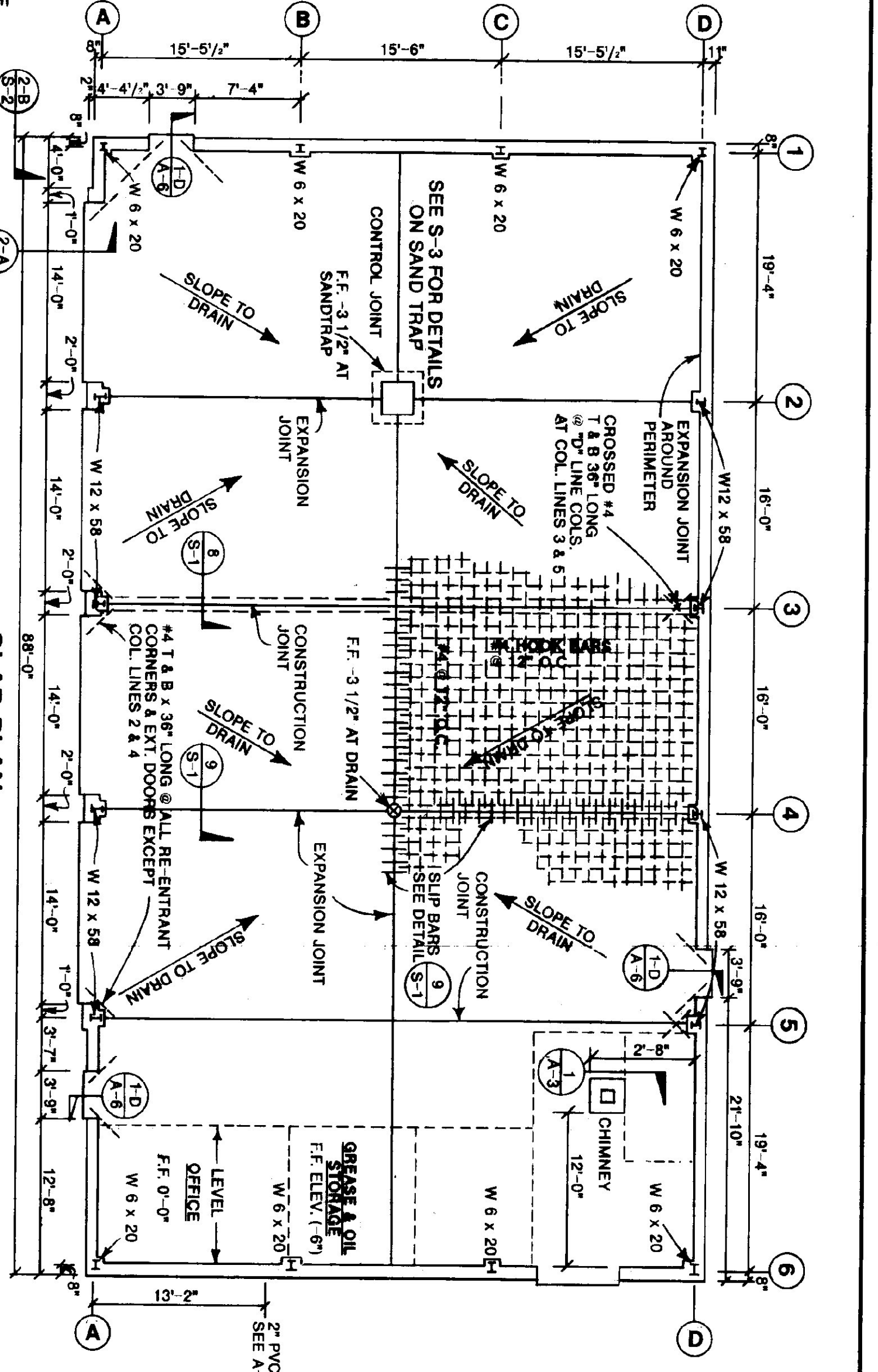


**ROOF FRAMING PLAN**  
SCALE: 1/8" = 1'-0"

**NOTES:**  
(1) SLAB CONSTRUCTION JOINT/EXPANSION JOINT PATTERN REQUIRES AN ALTERNATING AREA (CHECKER BOARD) POURING SEQUENCE FOR GARAGE FLOOR.  
(2) SLABS @ EXTERIOR PEOPLE & OVERHEAD DOORS EXTEND 2' BEYOND FACE OF FOUNDATION.



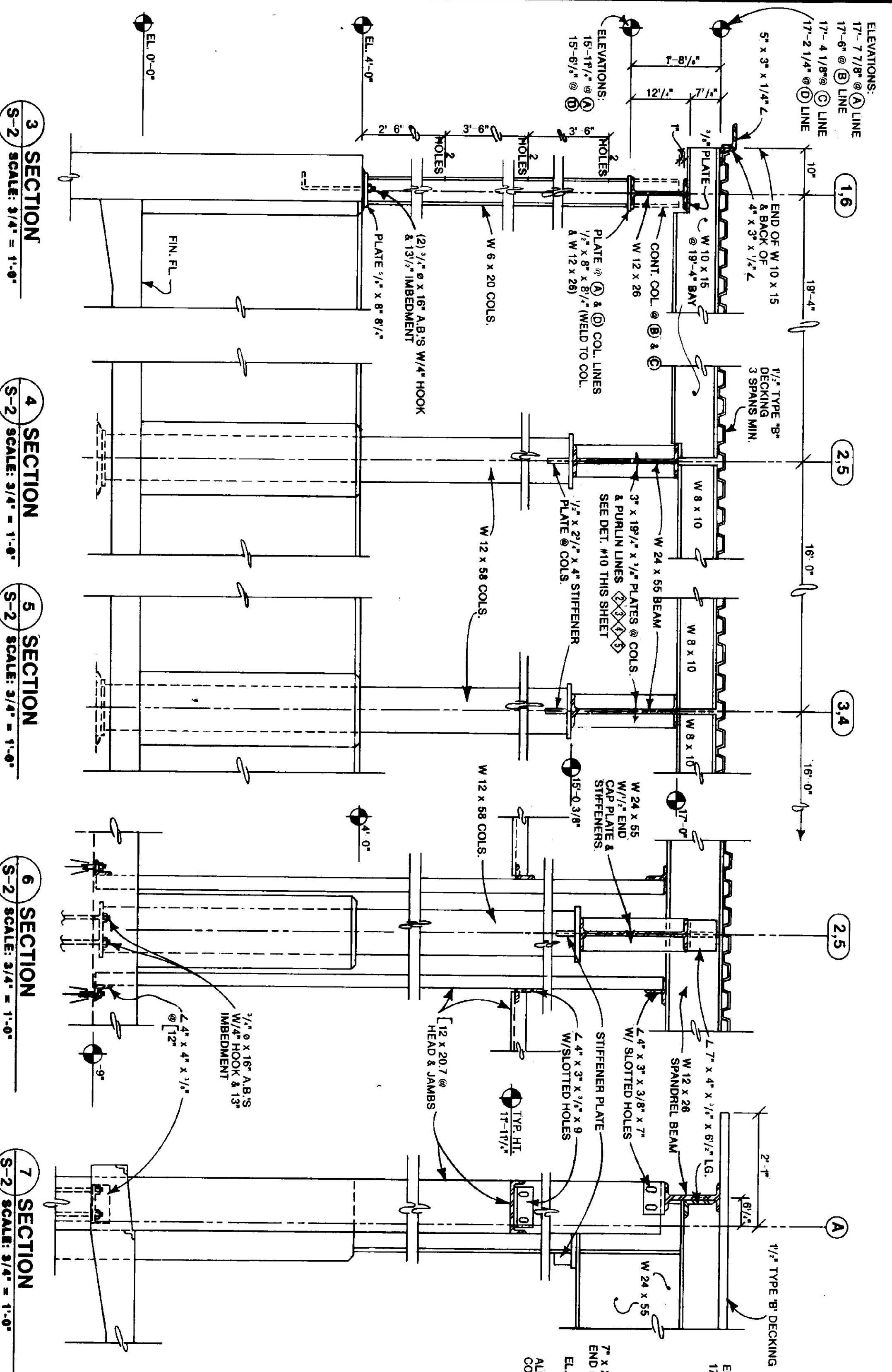
**1 SLAB FOOTING AT BLOCK WALL DETAIL**  
SCALE: 1-1/2" = 1'-0"



**SLAB PLAN**  
SCALE: 1/8" = 1'-0"

**LOADING NOTES:**  
(1) SNOW LOAD = 50#/S.F.  
(2) DEAD LOAD = 20#/S.F. FOR ROOF  
(3) WIND LOAD = 20#/S.F. @ WALLS  
(4) MEZZANINE = 100#/S.F. FLOOR

**BASE PLATE NOTES:**  
@ COL. LINES #1, 4, 6 BOT. OF BASE PLATES @ +4'-0"-1/2"  
@ COL. LINES #2, 3, 5, 6 BOT. OF BASE PLATES @ -8'-1/2"  
**MISC. NOTES:**  
CHANNELS FOR GARAGE DOORS (4 DOORS TOTAL) ARE NOT SHOWN ON FRAMING PLAN.



**3 SECTION**  
SCALE: 3/4" = 1'-0"

**4 SECTION**  
SCALE: 3/4" = 1'-0"

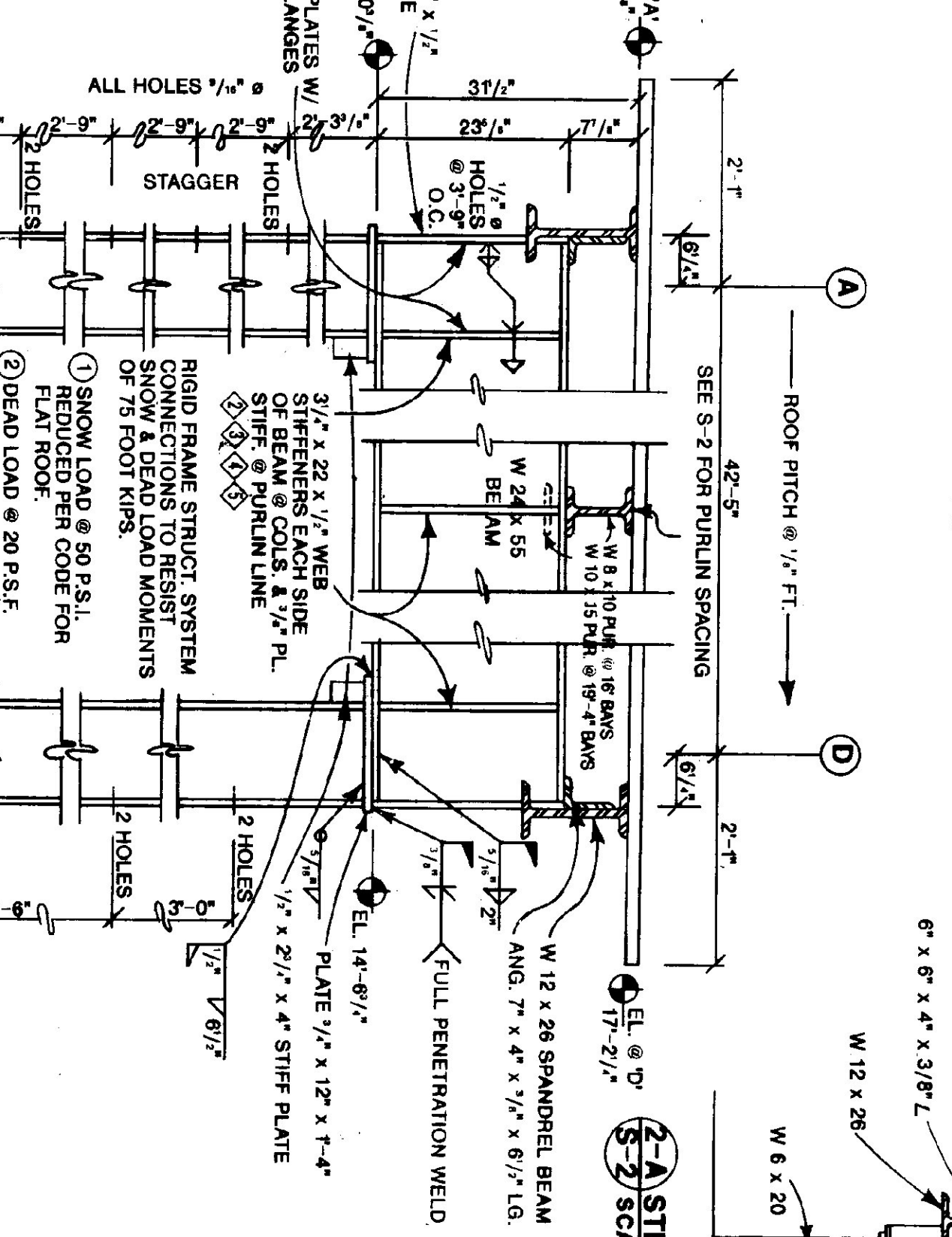
**5 SECTION**  
SCALE: 3/4" = 1'-0"

**6 SECTION**  
SCALE: 3/4" = 1'-0"

**7 SECTION**  
SCALE: 3/4" = 1'-0"

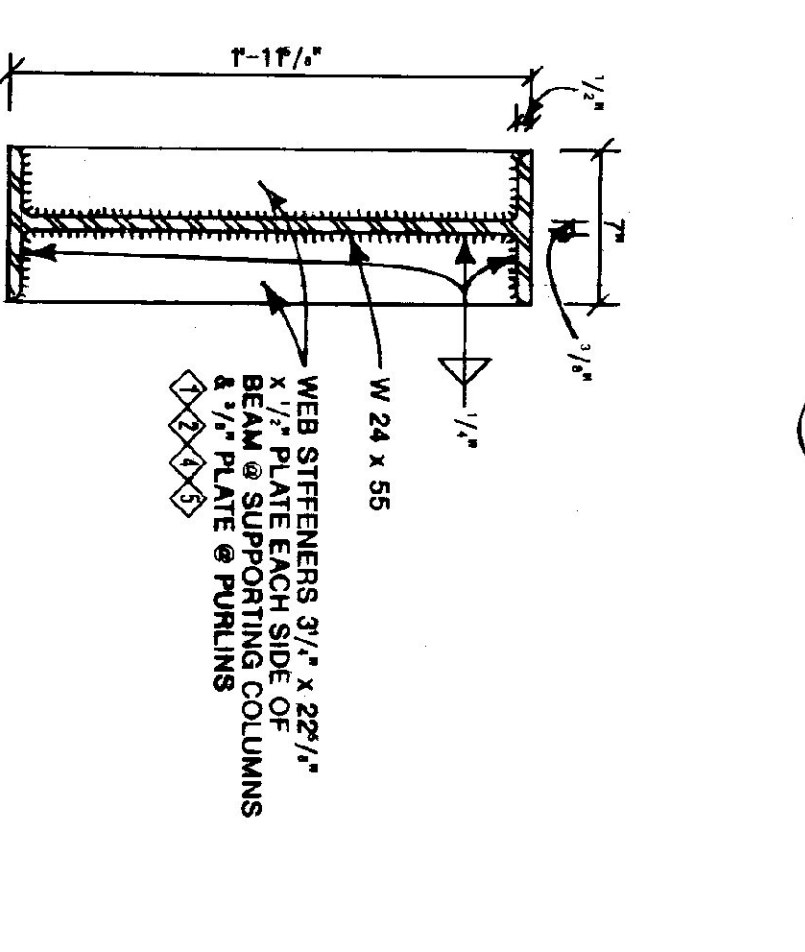
**SECTION @ COL. LINE 'A' 2-5**  
SCALE: 3/4" = 1'-0"

**SECTION @ COL. LINE 'D' 2-5**  
SCALE: 3/4" = 1'-0"



**2-A STEEL CORNER DETAILS**  
SCALE: 3/4" = 1'-0"

**2-B STEEL CORNER DETAILS**  
SCALE: 3/4" = 1'-0"



**10 DETAIL - WEB STIFFENERS**  
SCALE: 1-1/2" = 1'-0"

STATE OF VERMONT			
DEPARTMENT OF STATE BUILDINGS			
AGENCY OF ADMINISTRATION			
MONTPELLIER, VERMONT			
VERMONT AGENCY OF TRANSPORTATION			
STRUCTURAL STEEL FRAMING @ ROOF & STEEL SECTIONS & CONCRETE DETAILS			
4 BAY MAINTENANCE GARAGE			
BRANDON, VERMONT			
DATE: JUNE 1997	SCALE: AS NOTED	REVISIONS:	DWG. NO. S-2
DRAWN BY: A. POULIN	APPROVED BY:		
			18 OF 23