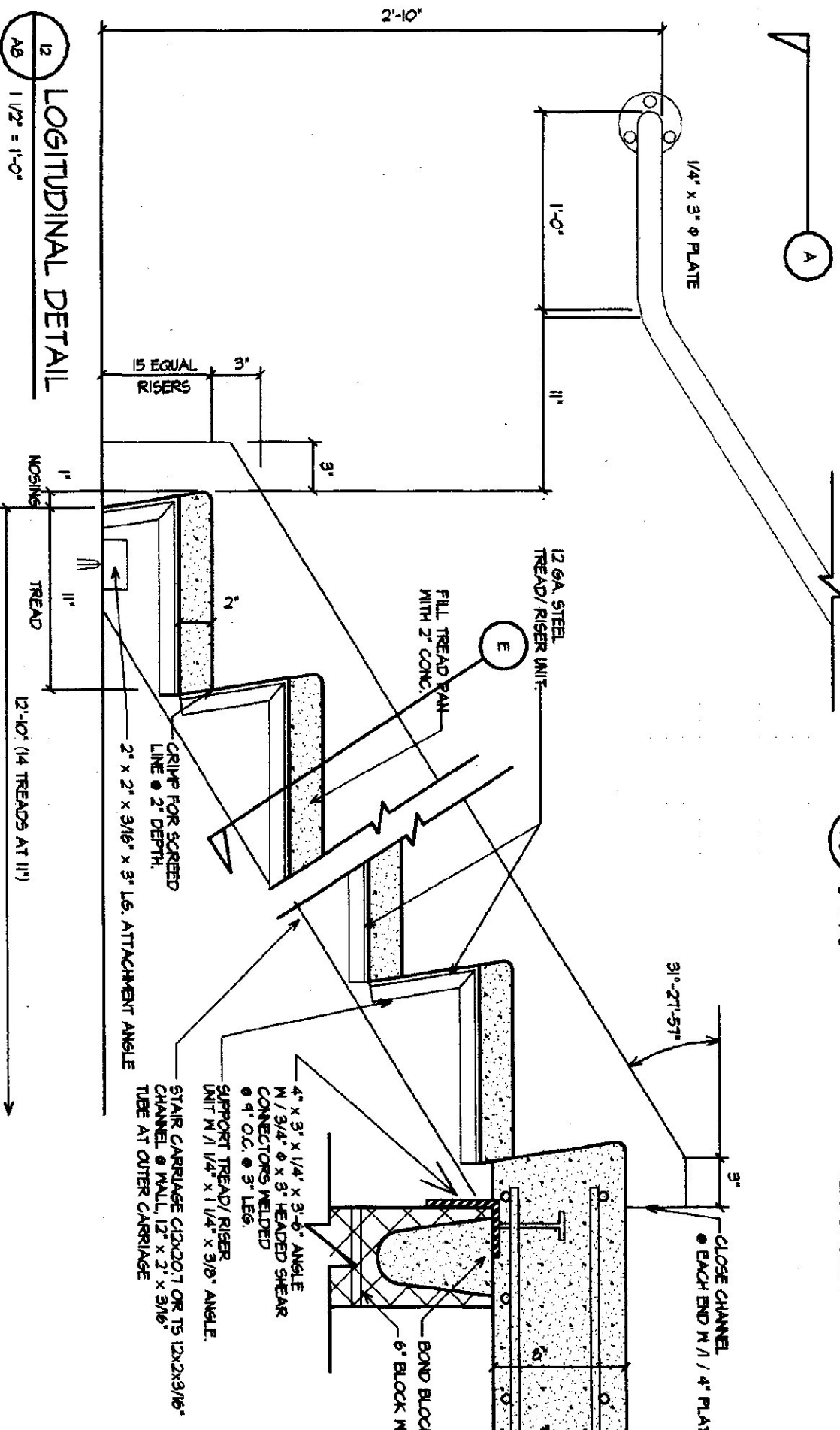
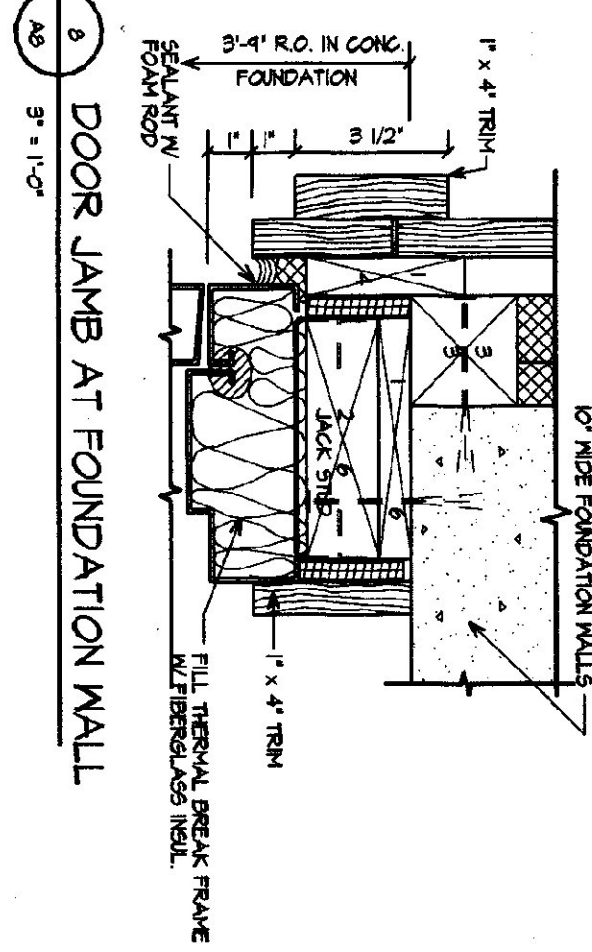


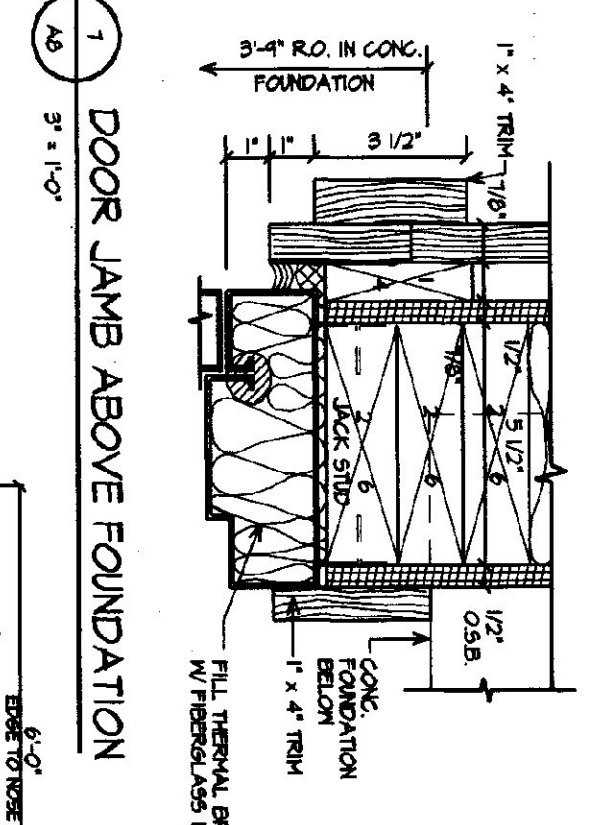
10 INTERIOR DOOR JAMB DETAIL
A8 9'-11-0"



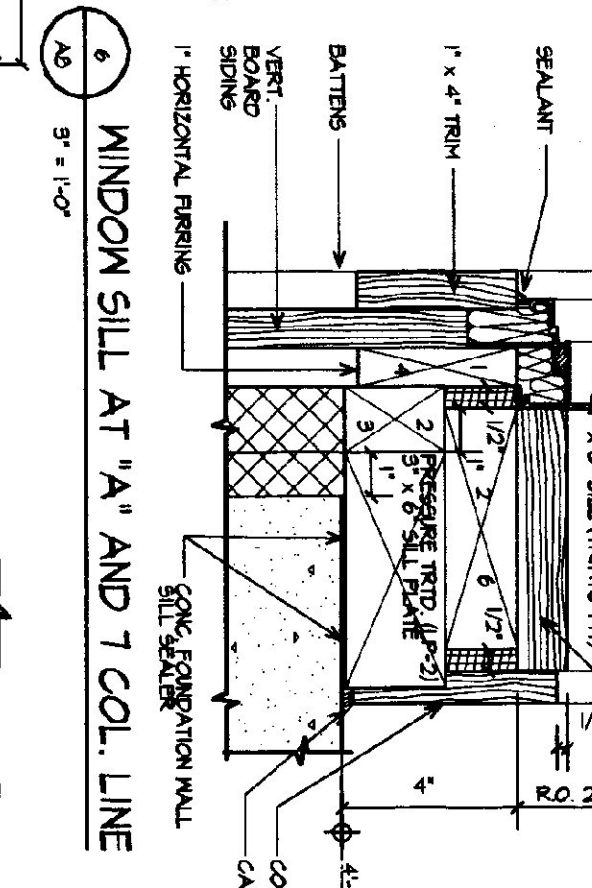
11 LOGITUDINAL DETAIL
A8 1'-0"



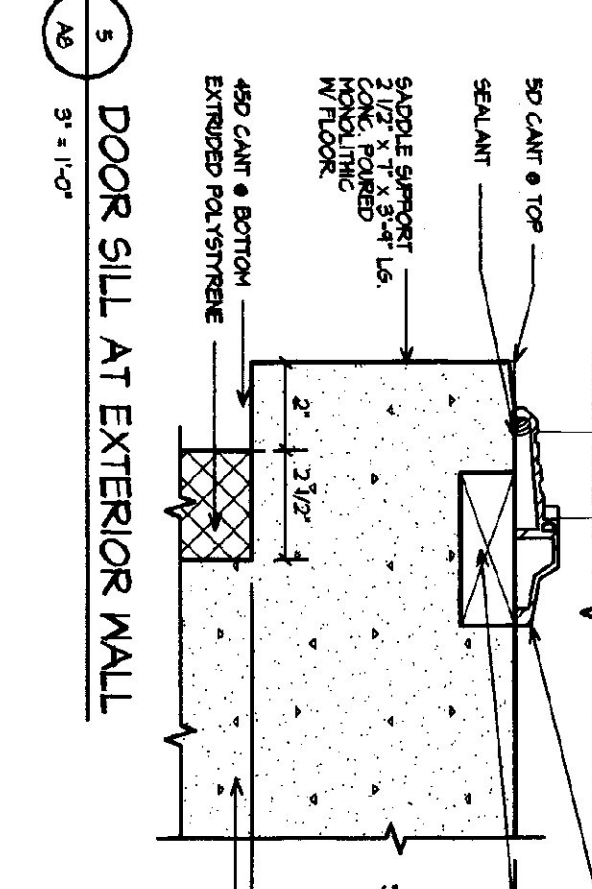
12 DOOR JAMB AT FOUNDATION WALL
A8 9'-11-0"



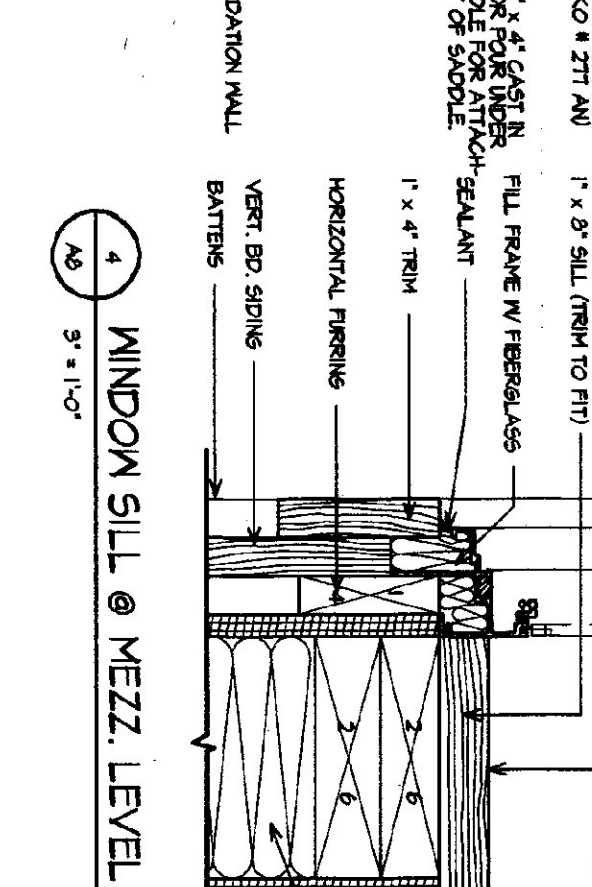
13 DOOR JAMB ABOVE FOUNDATION
A8 9'-11-0"



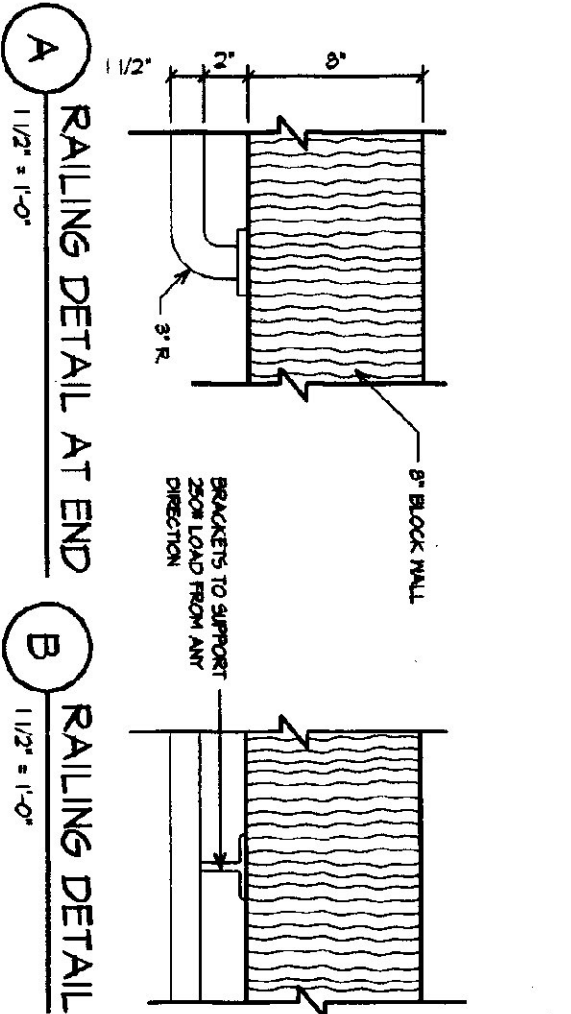
14 WINDOW SILL AT 1/4" AND 7 COL. LINE
A8 9'-11-0"



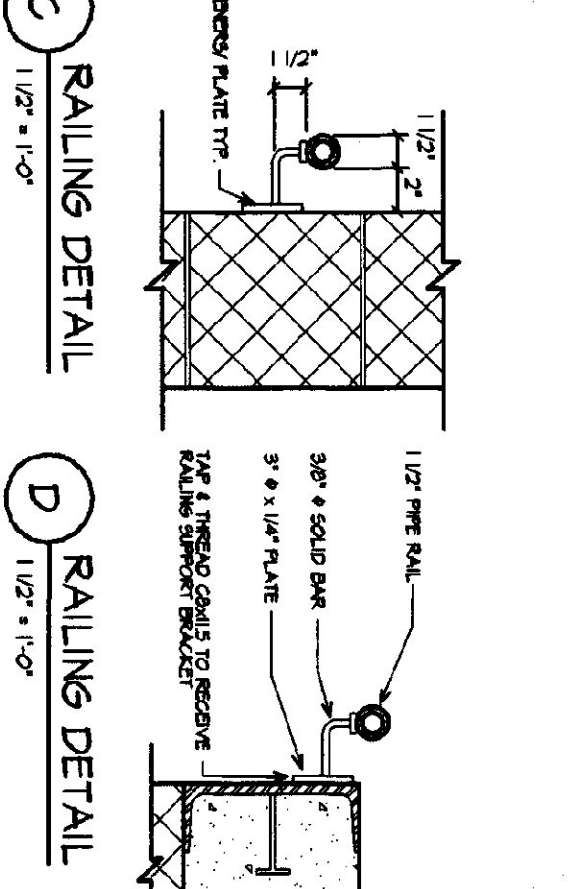
15 DOOR SILL AT EXTERIOR WALL
A8 9'-11-0"



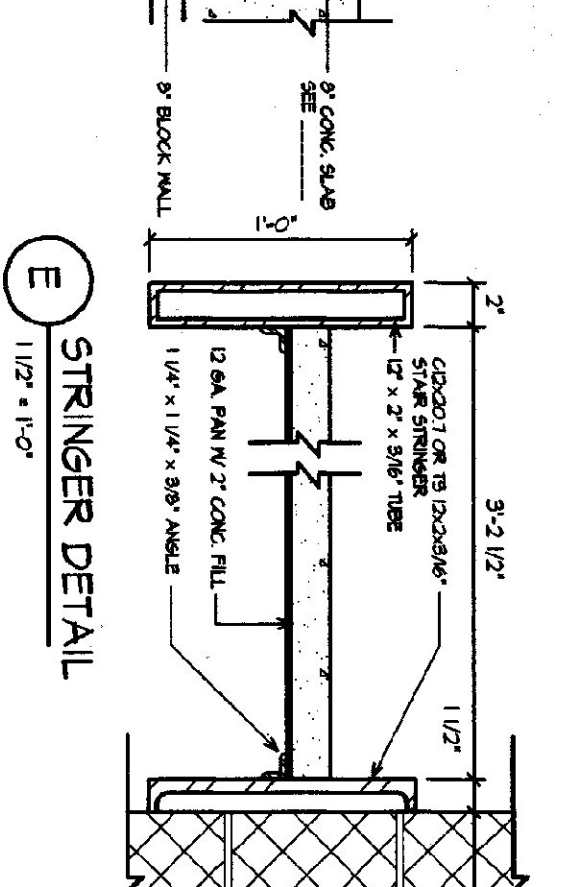
16 WINDOW SILL @ MEZZ. LEVEL AND COL. 'D' LINE
A8 9'-11-0"



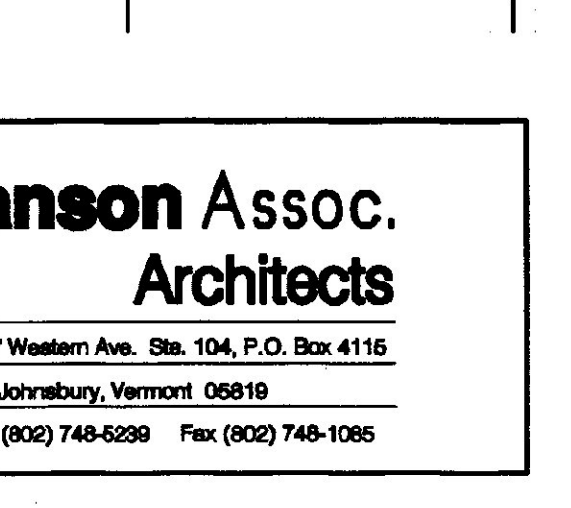
17 RAILING DETAIL AT END
A8 1'-0"



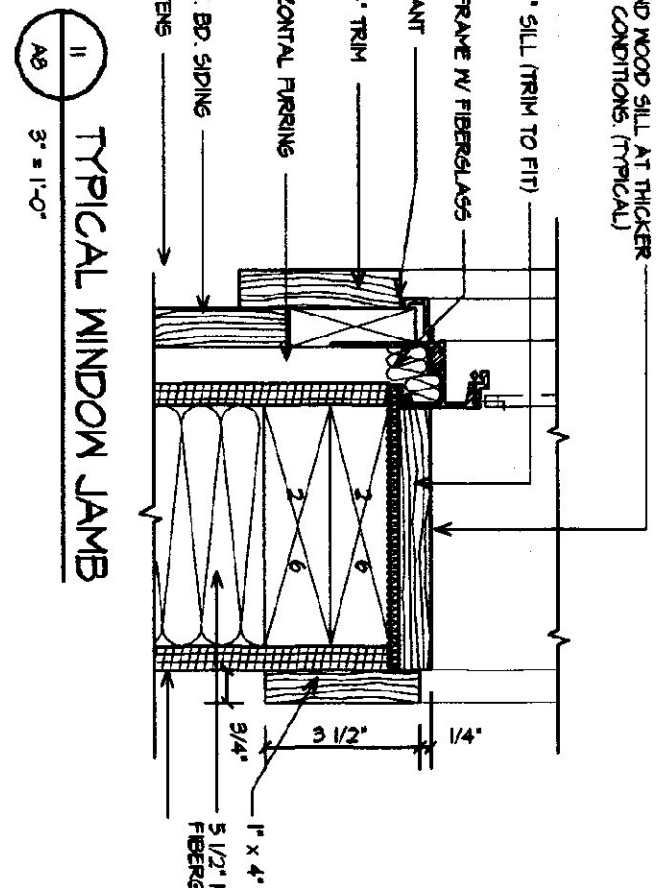
18 RAILING DETAIL
A8 1'-0"



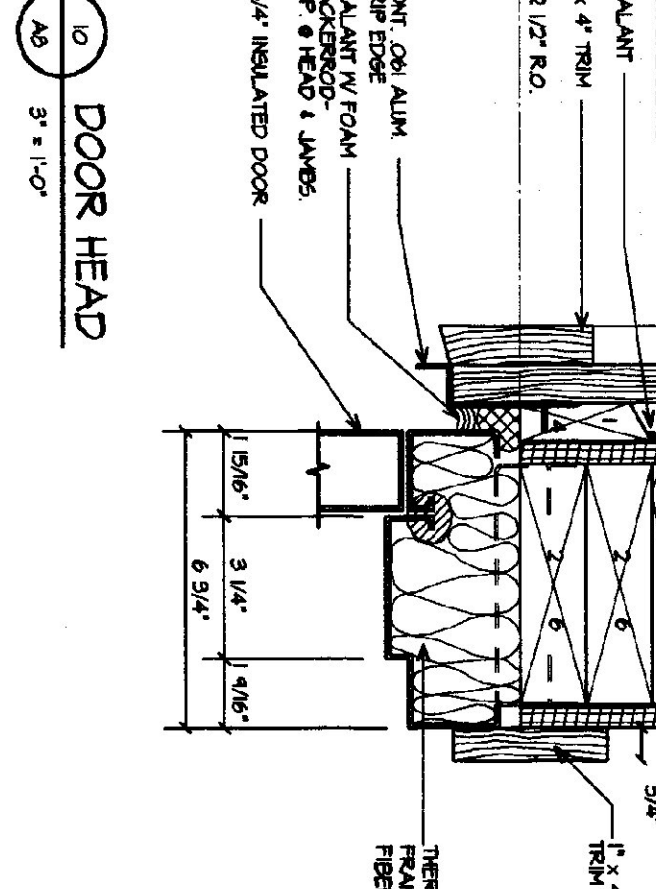
19 RAILING DETAIL
A8 1'-0"



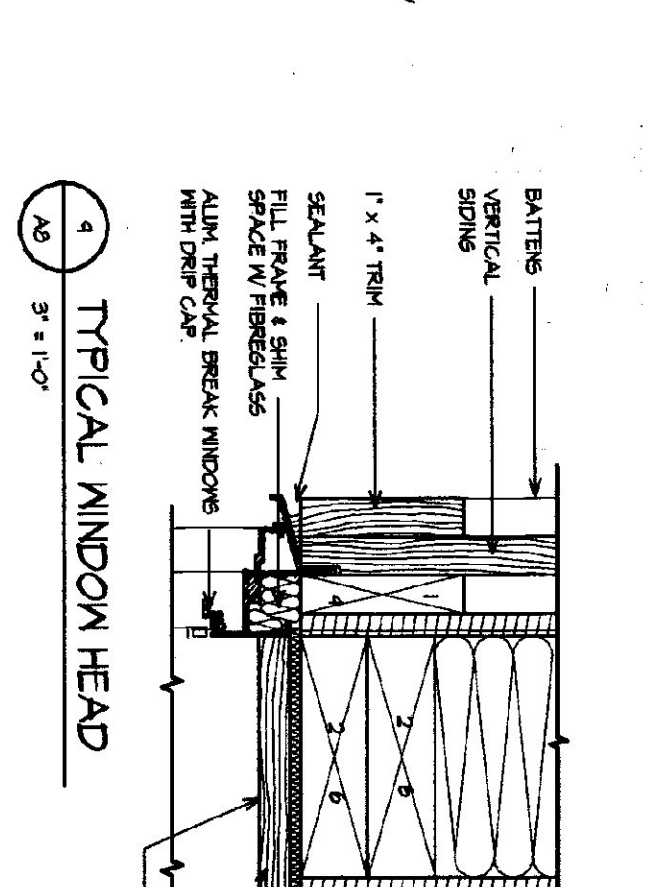
20 STRINGER DETAIL
A8 1'-0"



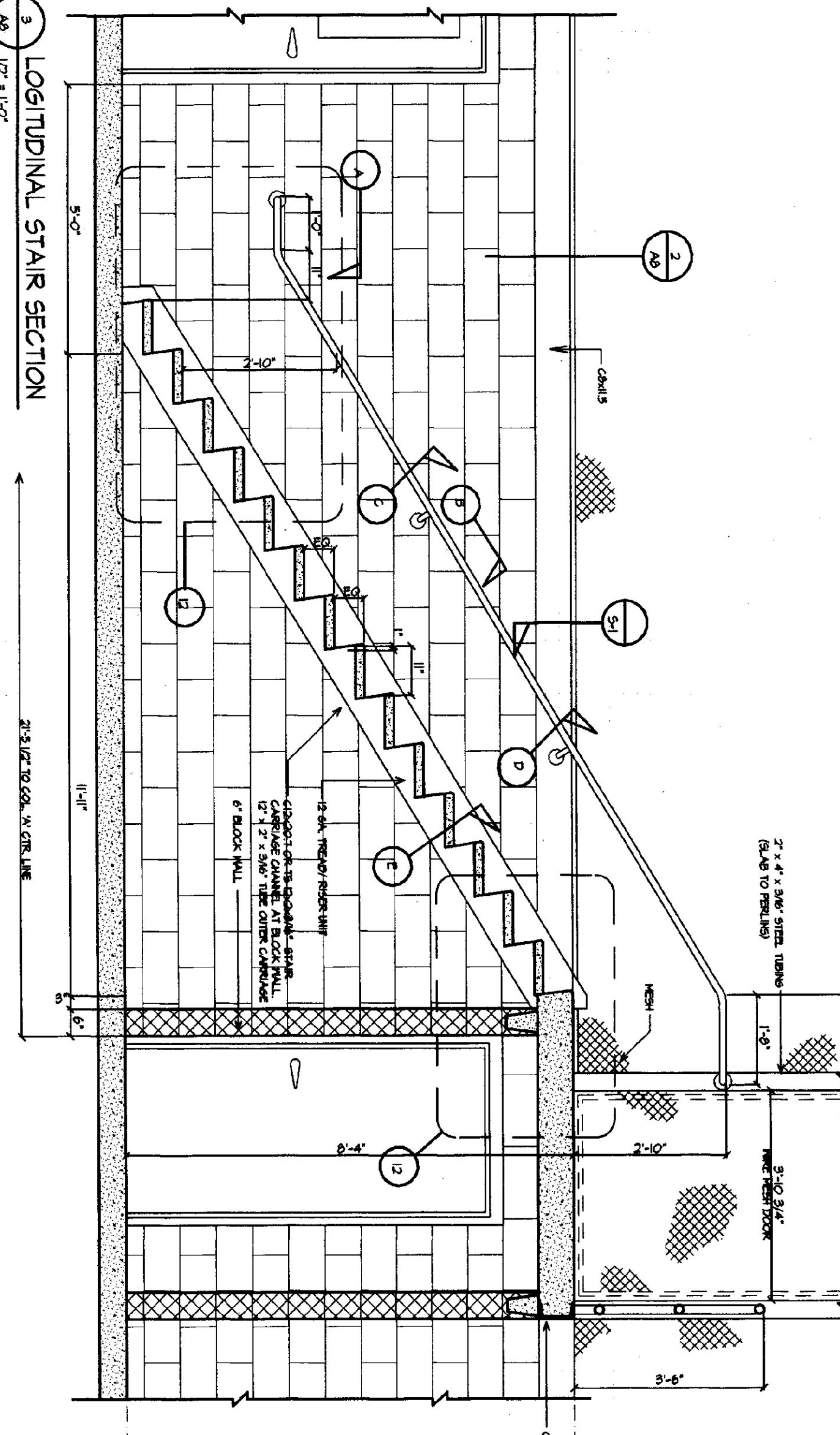
21 TYPICAL WINDOW JAMB
A8 9'-11-0"



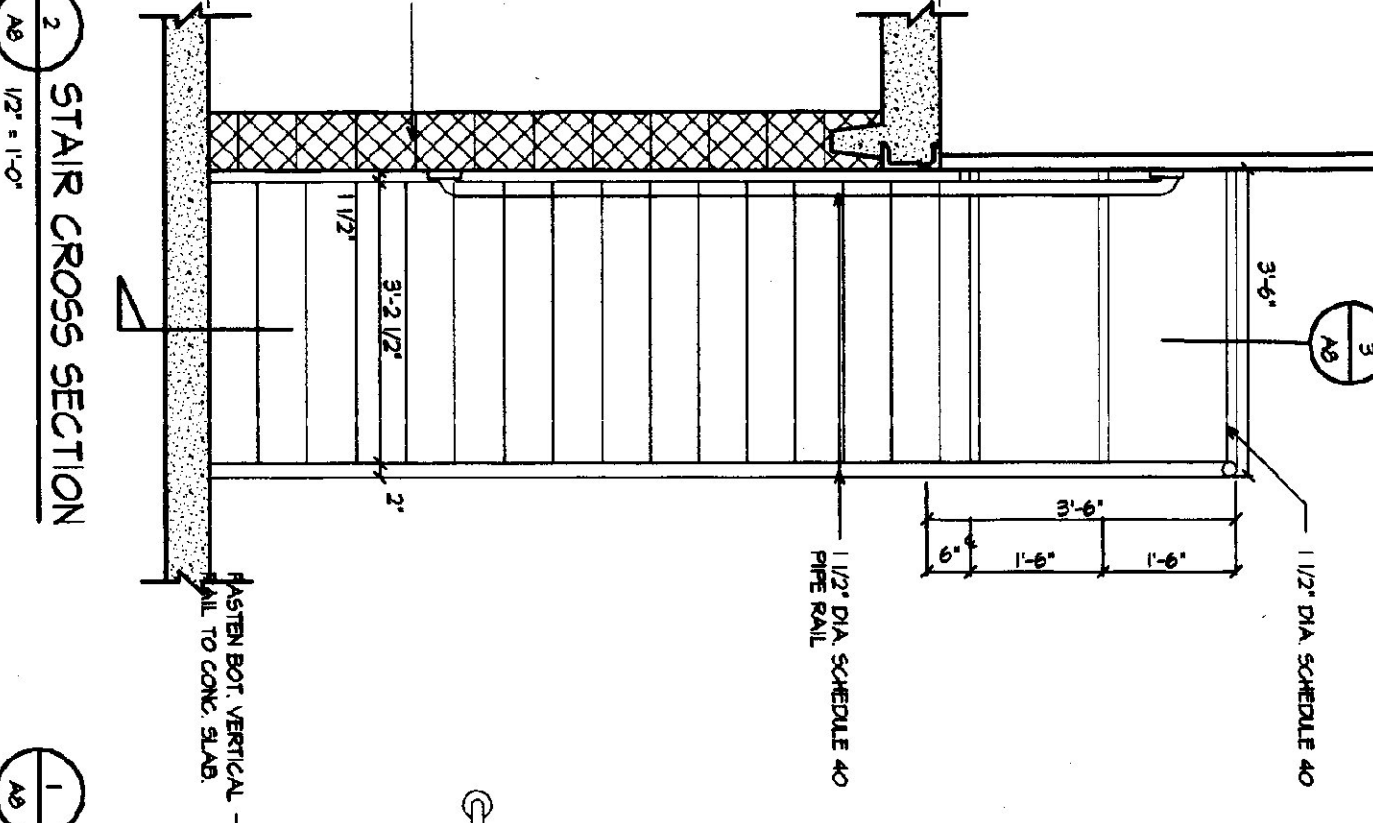
22 DOOR HEAD
A8 9'-11-0"



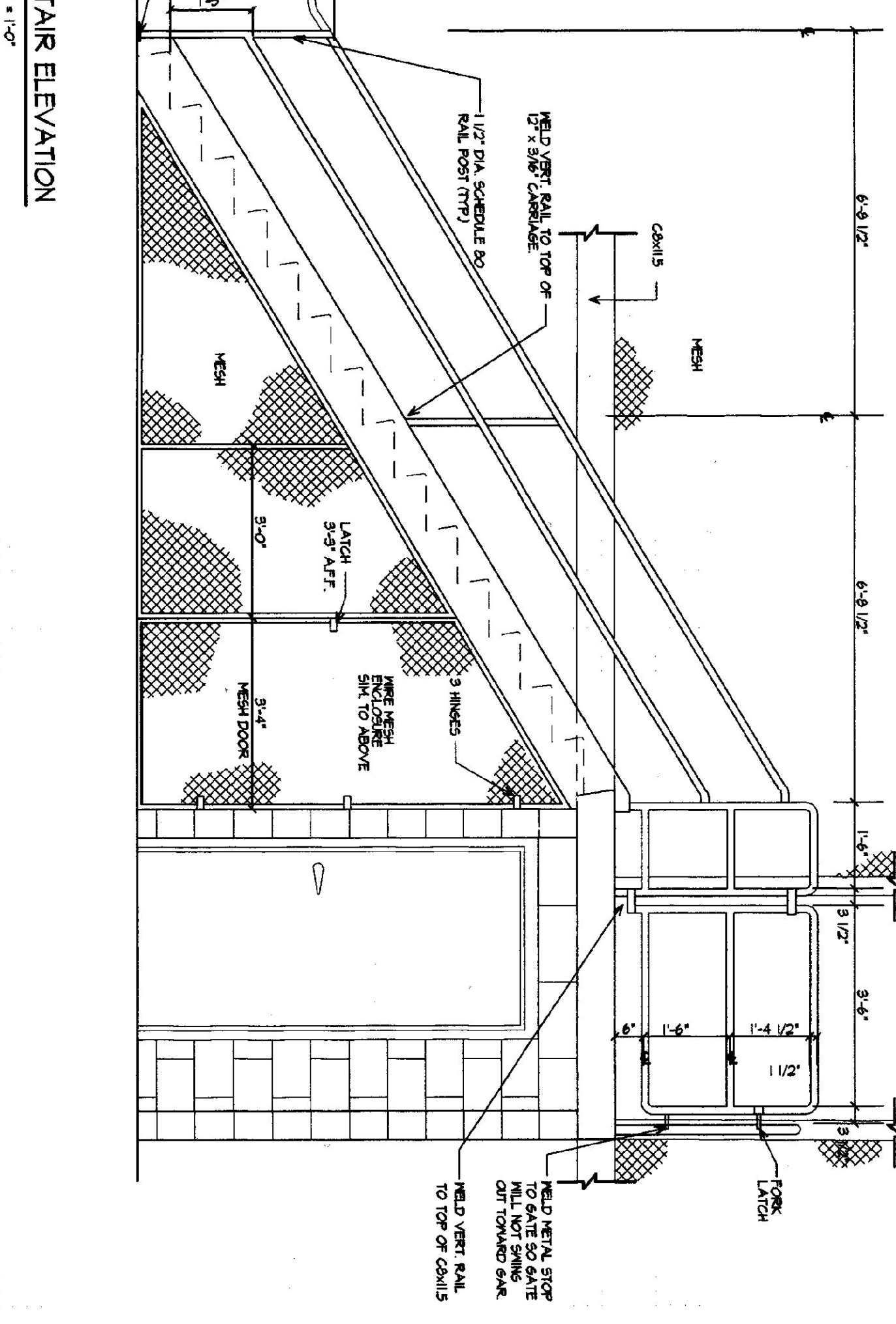
23 TYPICAL WINDOW HEAD
A8 9'-11-0"



24 LOGITUDINAL STAIR SECTION
A8 1'-0"



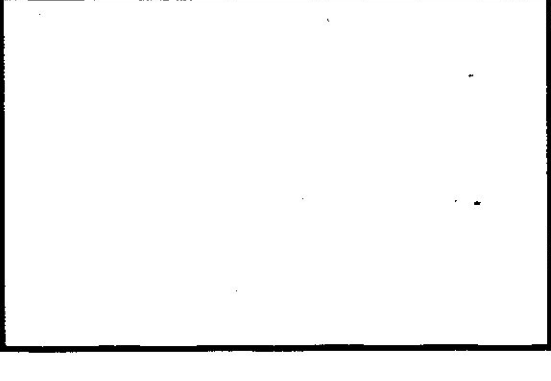
25 STAIR CROSS SECTION
A8 1'-0"



26 STAIR ELEVATION
A8 1'-0"

DATE	REVISION	SCALE
	AS NOTED	AS NOTED
DRAWING NUMBER	DATE	DATE
	MAY 14, 2001	MAY 14, 2001
DRAWING NAME	DRAWN BY	DATE
	KRG	

AGENCY OF TRANSPORTATION:
FIVE BAY MAINTENANCE FACILITIES
LONDONDERRY, VERMONT



E H Danson Assoc. Architects
357 Western Ave. Ste. 104, P.O. Box 4115
St. Johnsbury, Vermont 05819
Tel (802) 748-6299 Fax (802) 748-1085