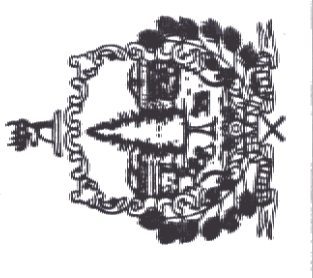




STATE OF VERMONT
 Department of Buildings
 and General Services
 Agency of Administration
 Montpelier, Vermont



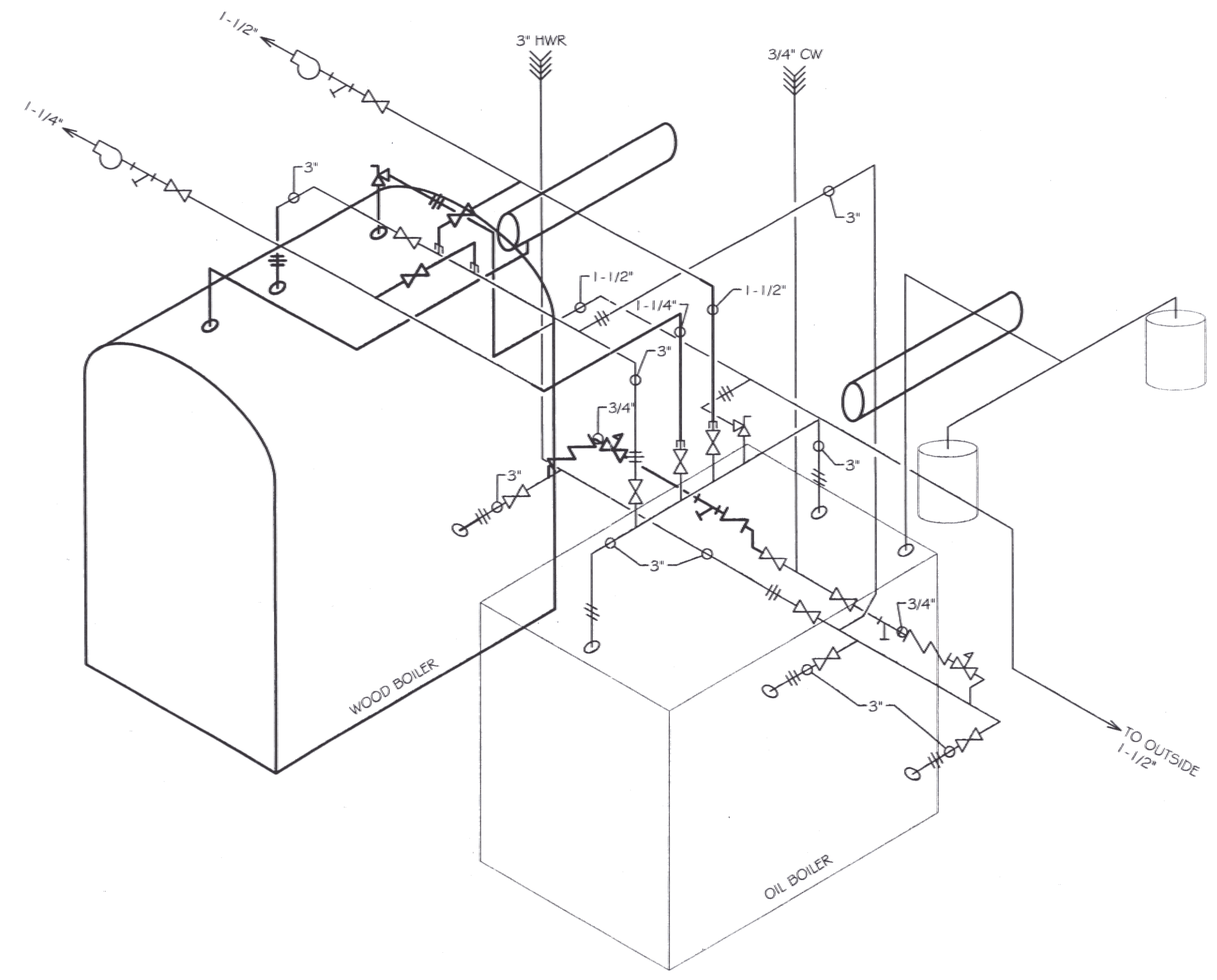
JAMAICA A.O.T. GARAGE
 NEW WOOD BOILER
 PLANS, SCHEMATICS AND SCHEDULES
 VERMONT
 JAMAICA

REVISIONS

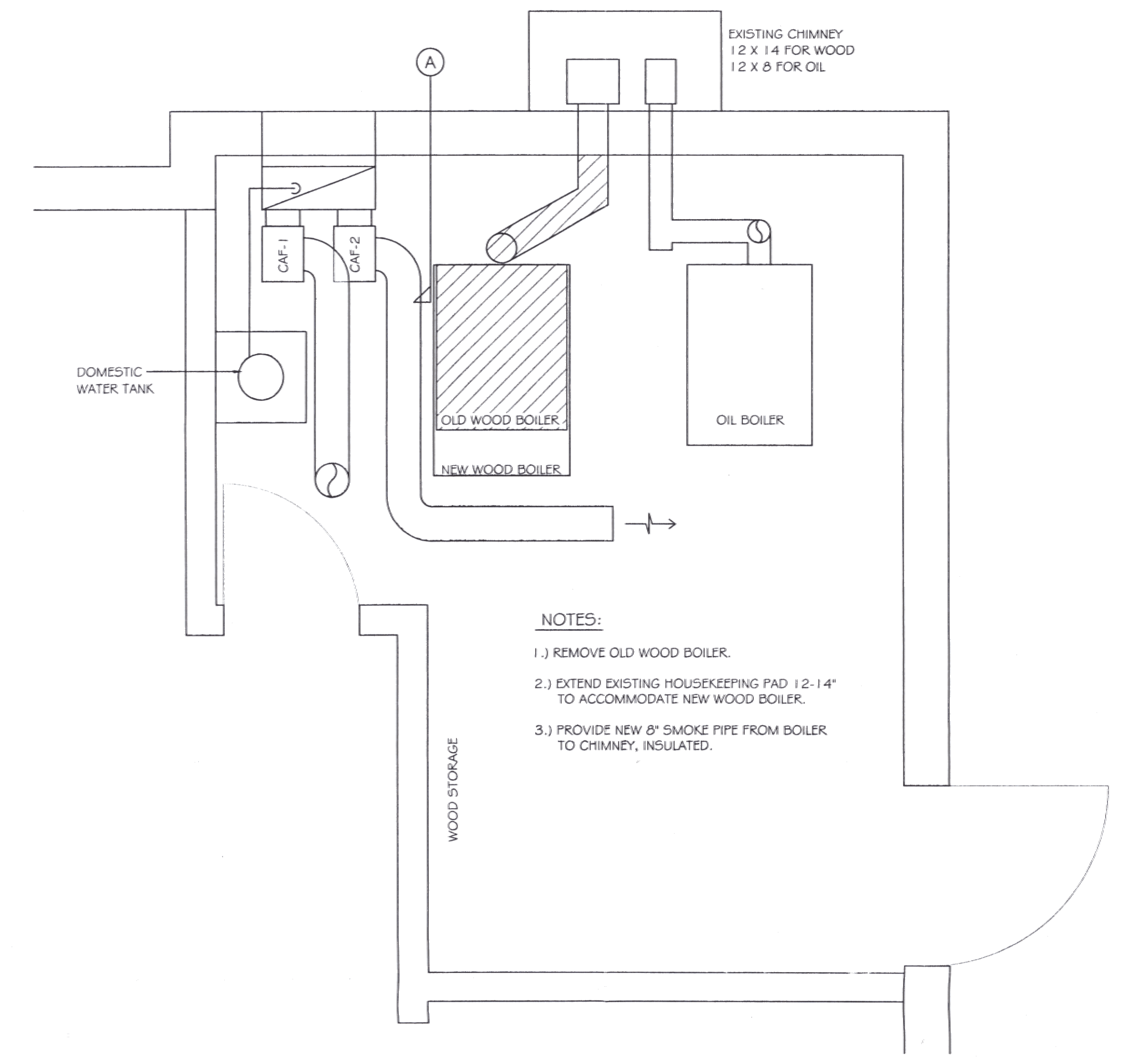
SCALE: AS NOTED
 DATE: JULY 2004
 DRAWN BY: N. HERSEY
 APPR. BY: TEIGH

JAMAICA A.O.T. GARAGE
 NEW WOOD BOILER
 PLANS, SCHEMATICS AND SCHEDULES

M-1

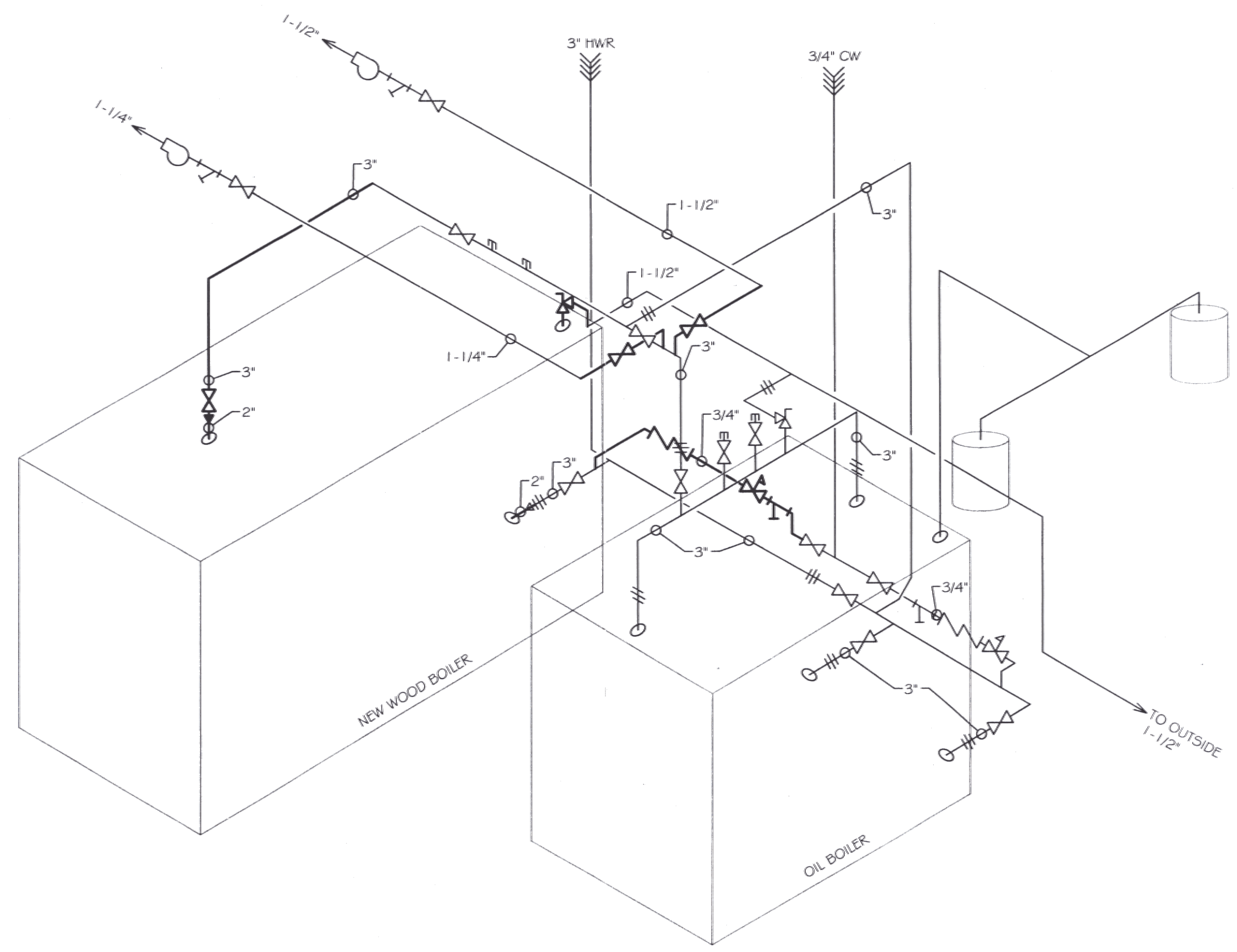


EXISTING BOILER SCHEMATIC
 N.T.S.



MECH ROOM PLAN
 SCALE: 1/2" = 1'-0"

- NOTES:
- 1.) REMOVE OLD WOOD BOILER.
 - 2.) EXTEND EXISTING HOUSEKEEPING PAD 12'-14" TO ACCOMMODATE NEW WOOD BOILER.
 - 3.) PROVIDE NEW 8" SMOKE PIPE FROM BOILER TO CHIMNEY, INSULATED.



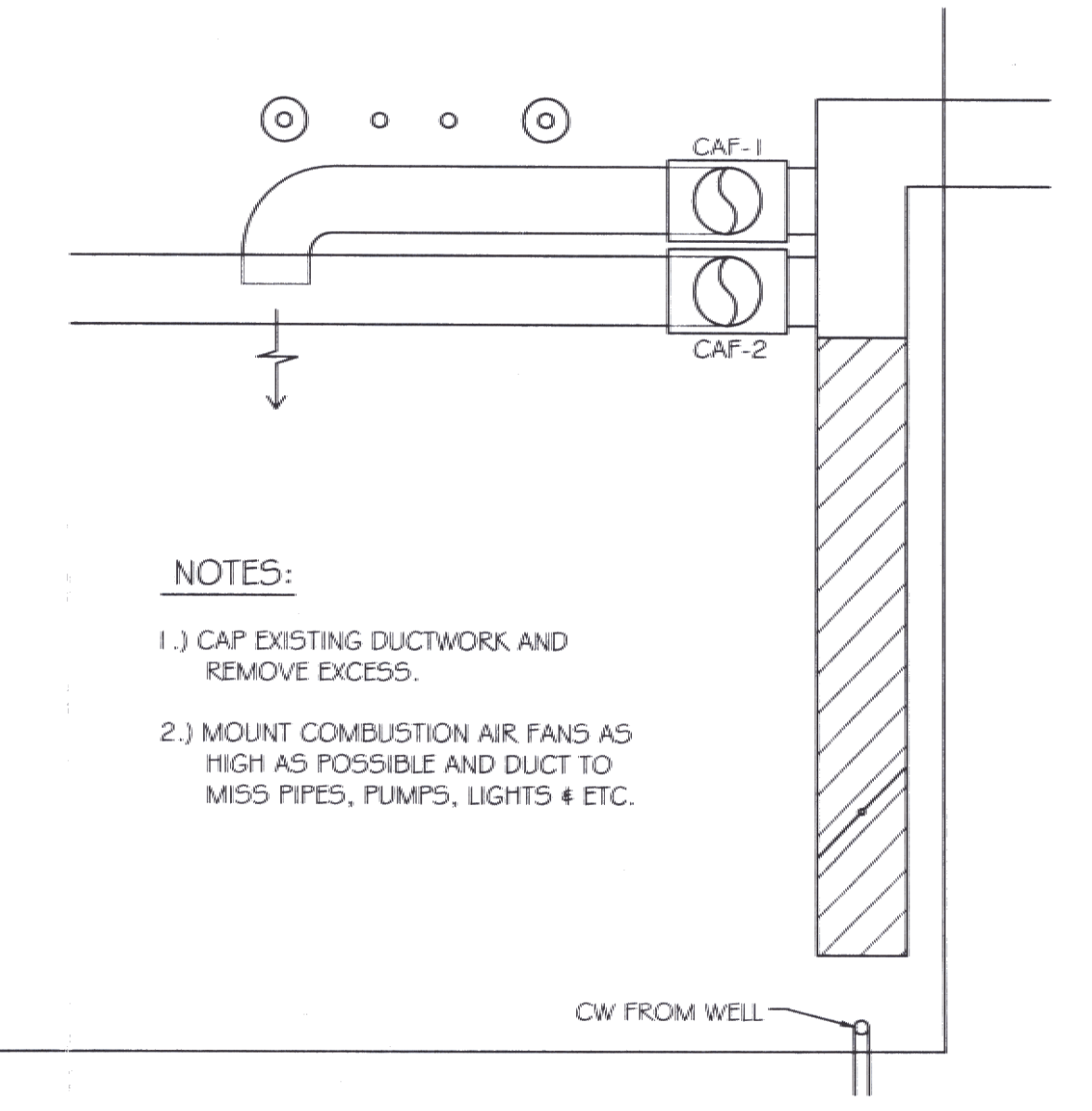
NEW BOILER SCHEMATIC
 N.T.S.

LEGEND

	BALL VALVE, FULL PORTED, W/SS BALL & STEM
	CHECK VALVE
	PRESSURE REDUCING VALVE
	PRESSURE RELIEF VALVE
	WYE STRAINER W/ BLOW DOWN
	CIRCULATOR
	UNION

EQUIPMENT SCHEDULE

	MANUF. # MODEL		ELECTRICAL
WOOD BOILER	HORSTMANN INDUSTRIES, INC. ROYALL 6250	250,000 BTU / HR	120 / 1 / 60
CAF-1	TJERNLUND PRODUCTS INC. PA1-4	100 CFM @ 1.0 STATIC	120 / 1 / 60
CAF-2	TJERNLUND PRODUCTS INC. PA1-4	100 CFM @ 1.0 STATIC	120 / 1 / 60



- NOTES:
- 1.) CAP EXISTING DUCTWORK AND REMOVE EXCESS.
 - 2.) MOUNT COMBUSTION AIR FANS AS HIGH AS POSSIBLE AND DUCT TO MISS PIPES, PUMPS, LIGHTS & ETC.

SECTION A
 SCALE: 1/2" = 1'-0"

S:\BGS_CAD\town\location\2003\AAA-03-00-XX.dwg