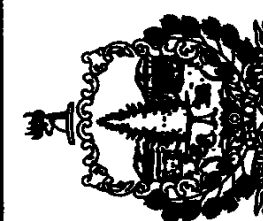


STATE OF VERMONT  
 Department of Buildings  
 and General Services  
 Agency of Administration  
 Montpelier, Vermont



VERMONT

AGENCY OF TRANSPORTATION  
 DUMMERSTON OFFICE BUILDING  
 NEW BASEMENT HVAC

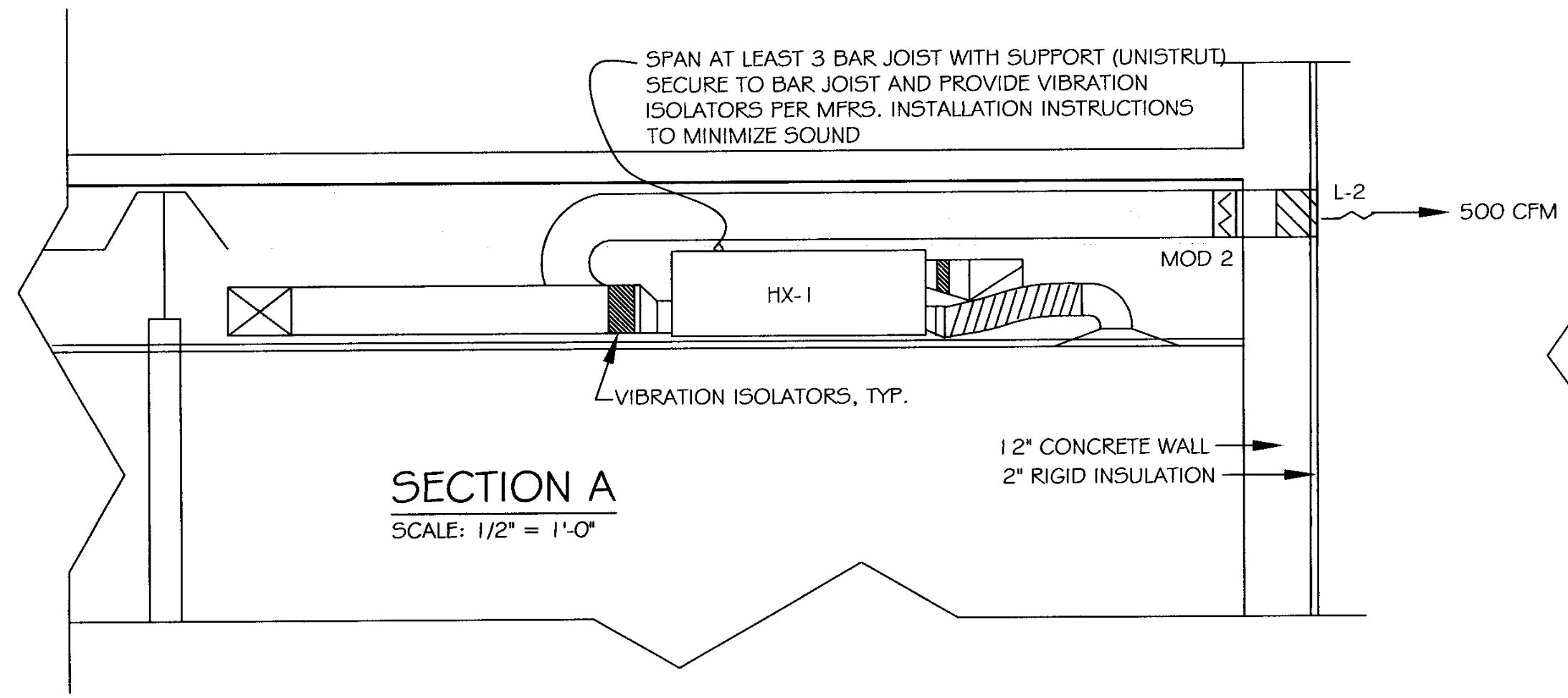
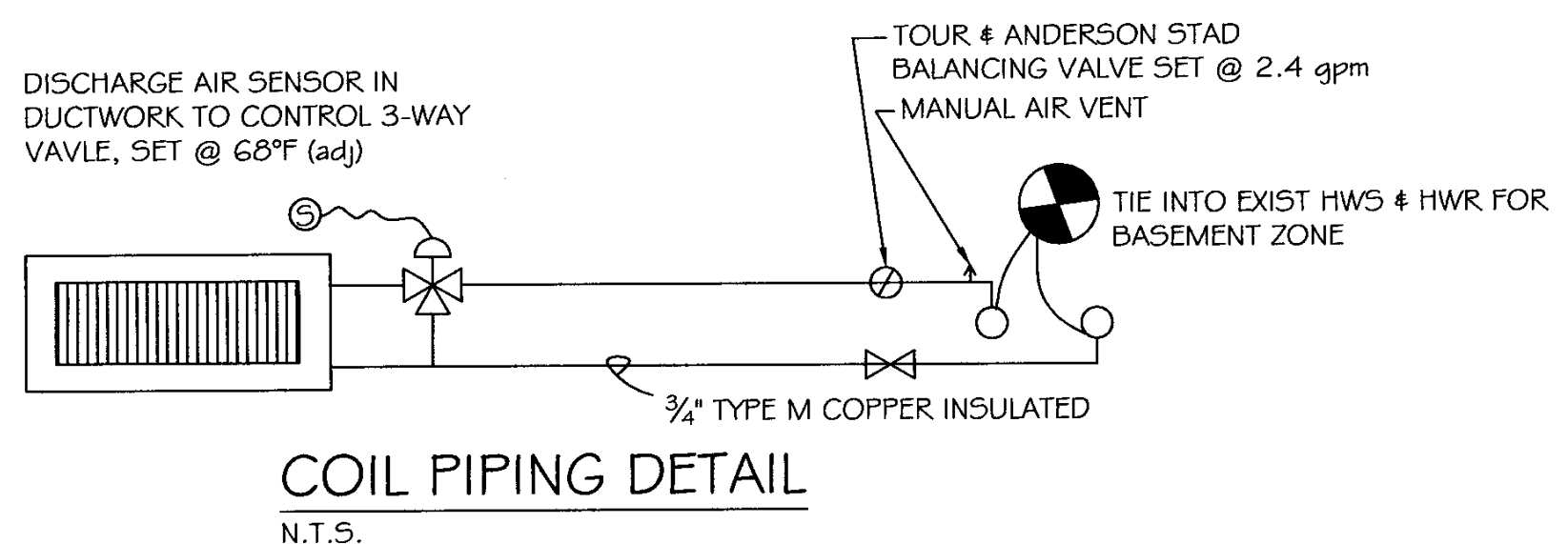
DUMMERSTON

REVISIONS

SCALE:	1/4" = 1'-0"
DATE:	MAY 2004
DRAWN BY:	K. ROUELLE
APPR. BY:	SOUTHWORTH

A.O.T  
 OFFICE BLD.  
 DUMMERSTON  
 NEW HVAC

M-1  
 1 OF 1



**AIR CONDITIONER SCHEDULE**

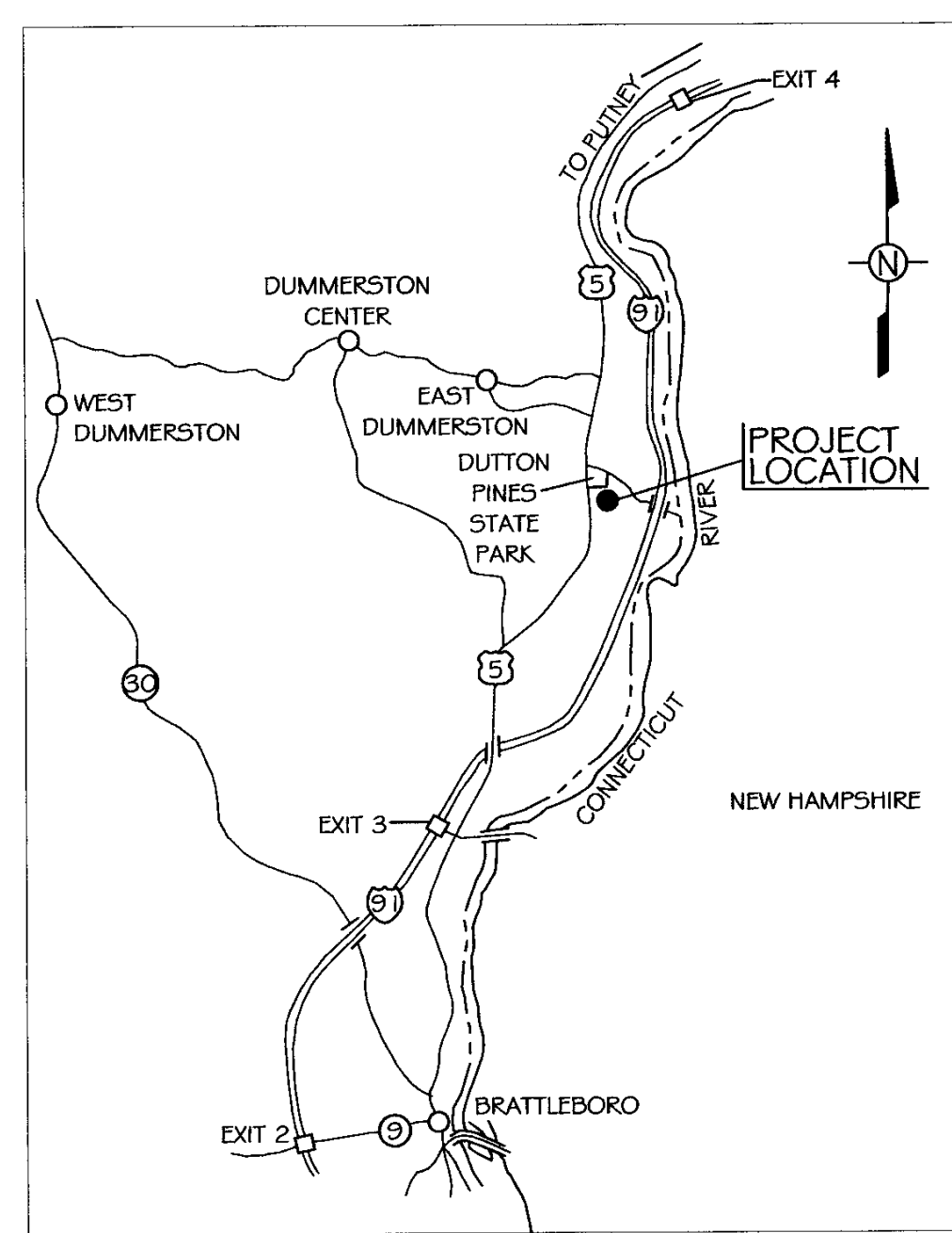
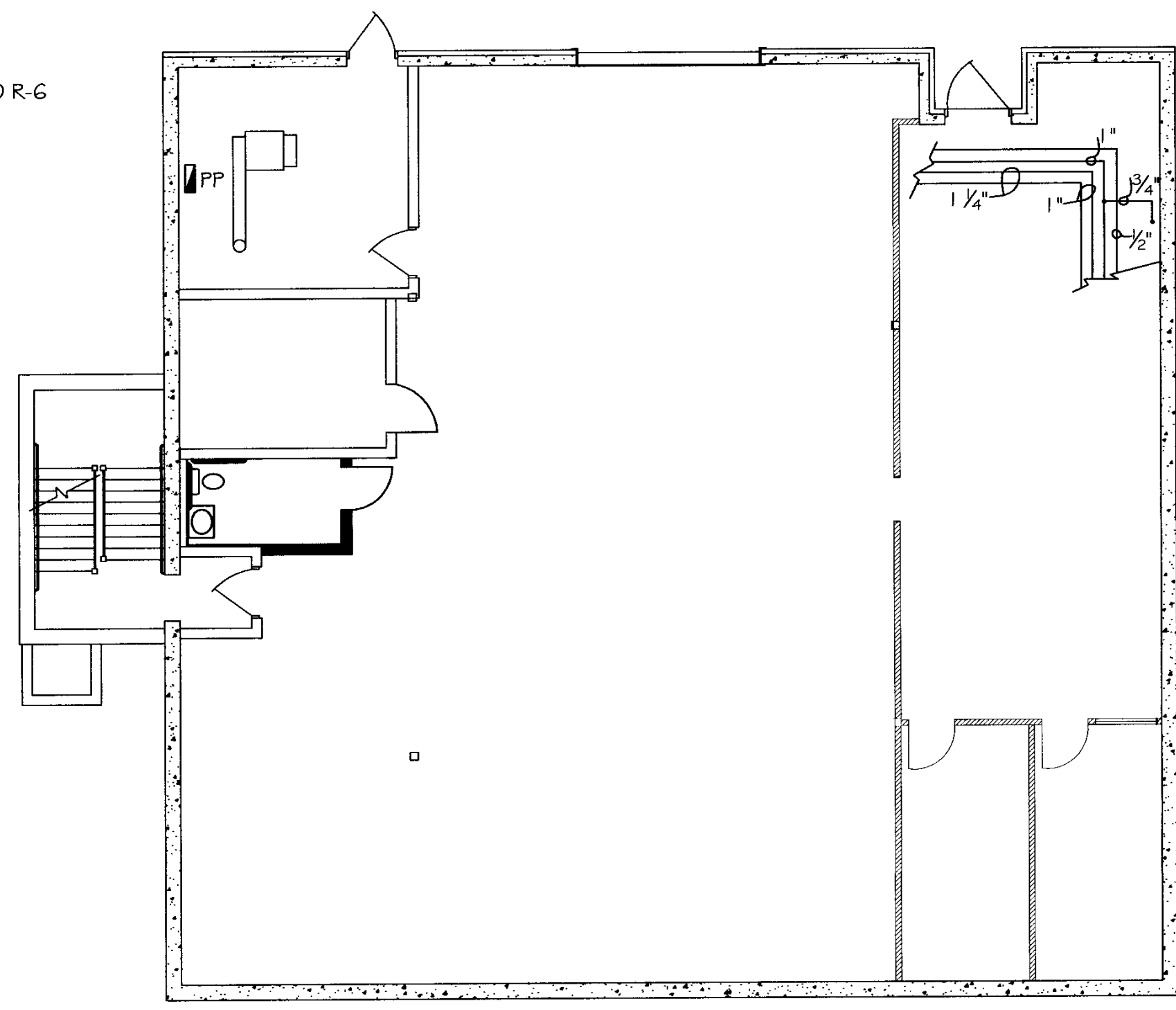
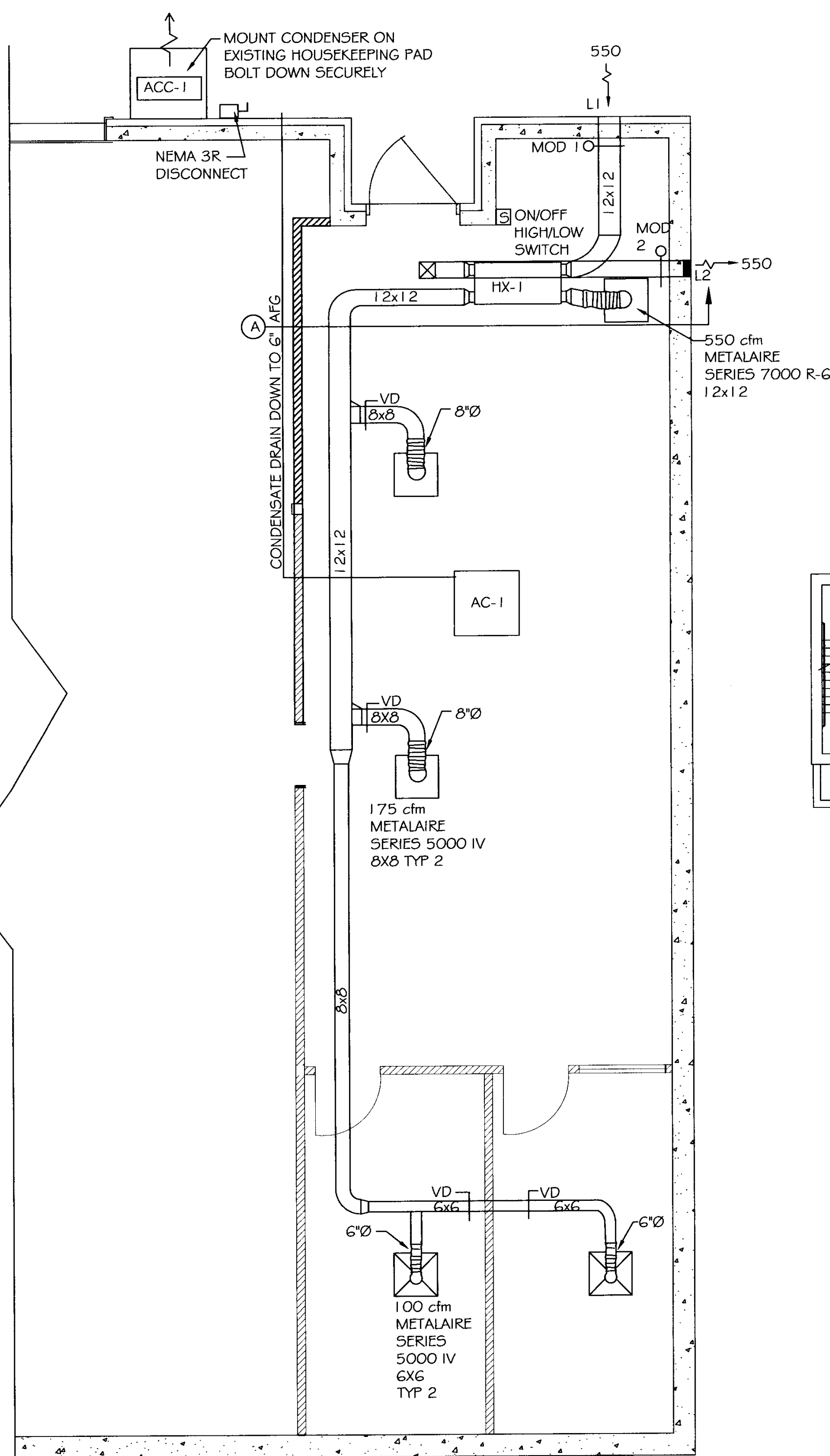
	MAKE/MODEL	CAPACITY @95°	VOLTS	AMPS	MAXIMUM FUSE SIZE	SEER	REMARKS
AC 1	DAIKIN PL24AK	24,000 BTU	115/1/60	3.0	15	10.0	
ACC 1	DAIKIN PL24EK		230/1/60	16.0	20		MATCHED TO INDOOR UNIT

**EQUIPMENT SCHEDULE**

PLAN SYMBOL	DESCRIPTION	MANUF. & MODEL	CHARACTERISTICS	ELECTRIC VOLTS/ Ø /HZ	NOTES
L-1	RELIEF LOUVER	VENT PRODUCTS 2750	12"x12"		
MOD-1	RELIEF DAMPER	VENT PRODUCTS 5703	12"x12"	120/1/60	BELIMO DIRECT COUPLED ACTUATOR
L-2	RELIEF LOUVER	VENT PRODUCTS 2740	12"x12"		
MOD-2	RELIEF DAMPER	VENT PRODUCTS 5703	12"x12"	120/1/60	BELIMO DIRECT COUPLED ACTUATOR
RH-1	REHEAT COIL	McQUAY 5BS0801H	12x12 EAT 40°F LAT 95°F 180 EWT 160 LWT 2.4 gpm 24,412 BTU		PROVIDE 3-WAY CONTROL VALVE

**AIR HANDLER SCHEDULE**

	MAKE/MODEL	CFM	ESP	VOLTS	PHASE	MAXIMUM CIRCUIT AMPACITY	REMARKS
HX-1	SEMCO FV-500	550	0.9	115	1	15	PROVIDE AN OFF/HIGH/LOW SPEED SWITCH FOR OPERATION. DISCHARGE AIR SENSOR TO MODULATE VALVE TO MAINTAIN DISCHARGE AIR TEMP 65° F (ADJ.)



S:\BOS\_CAD\Drawings\Dummerston\HVAC\1-0504.dwg