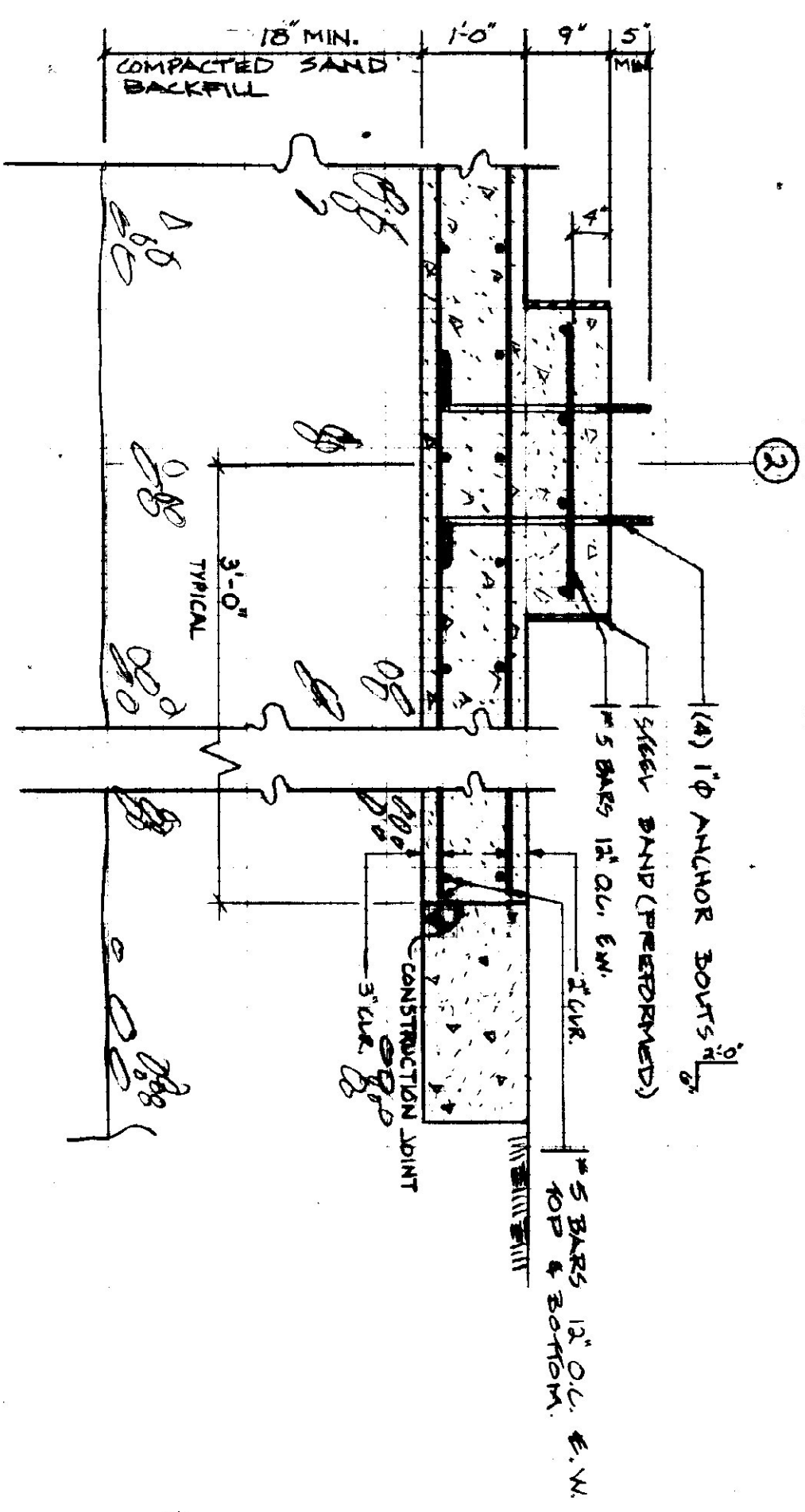
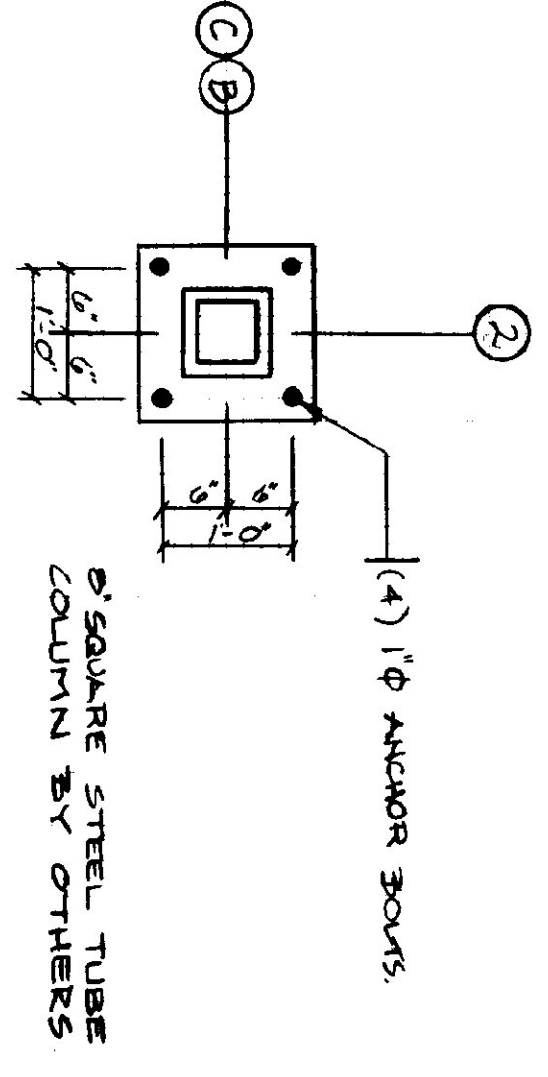


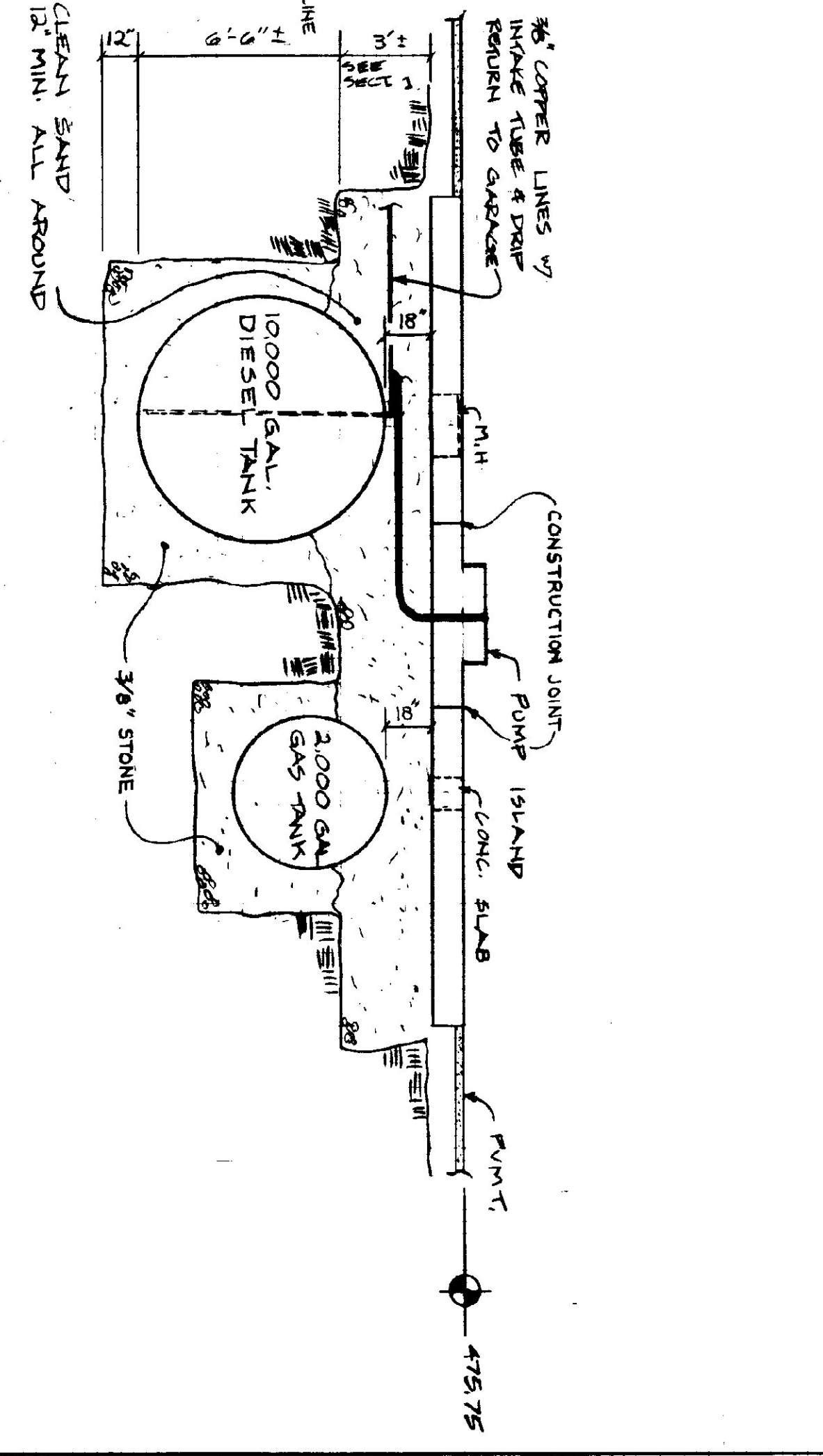
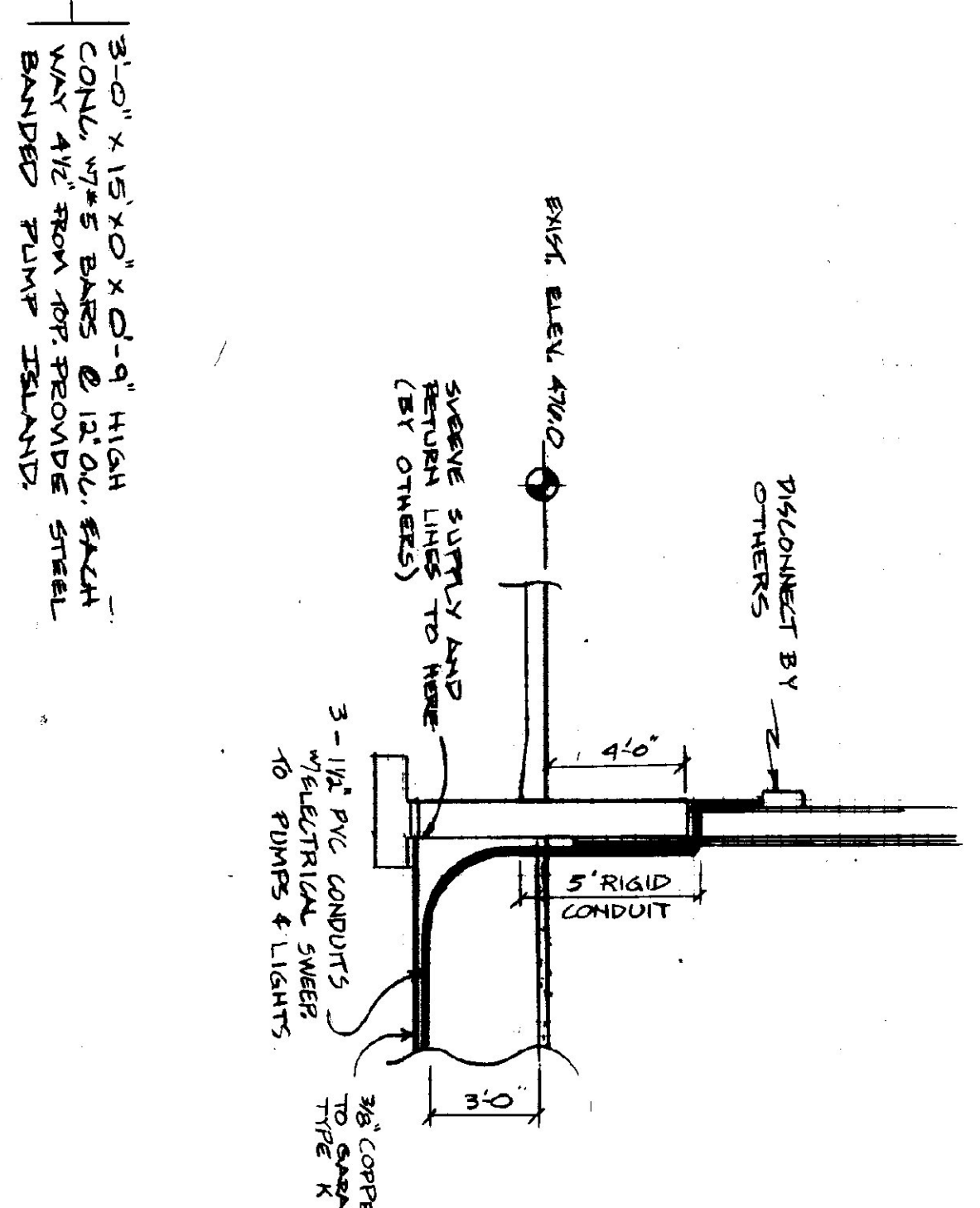
SLAB PLAN
SCALE 1/4" = 1'-0"



SECTION 1
SCALE 3/4" = 1'-0"



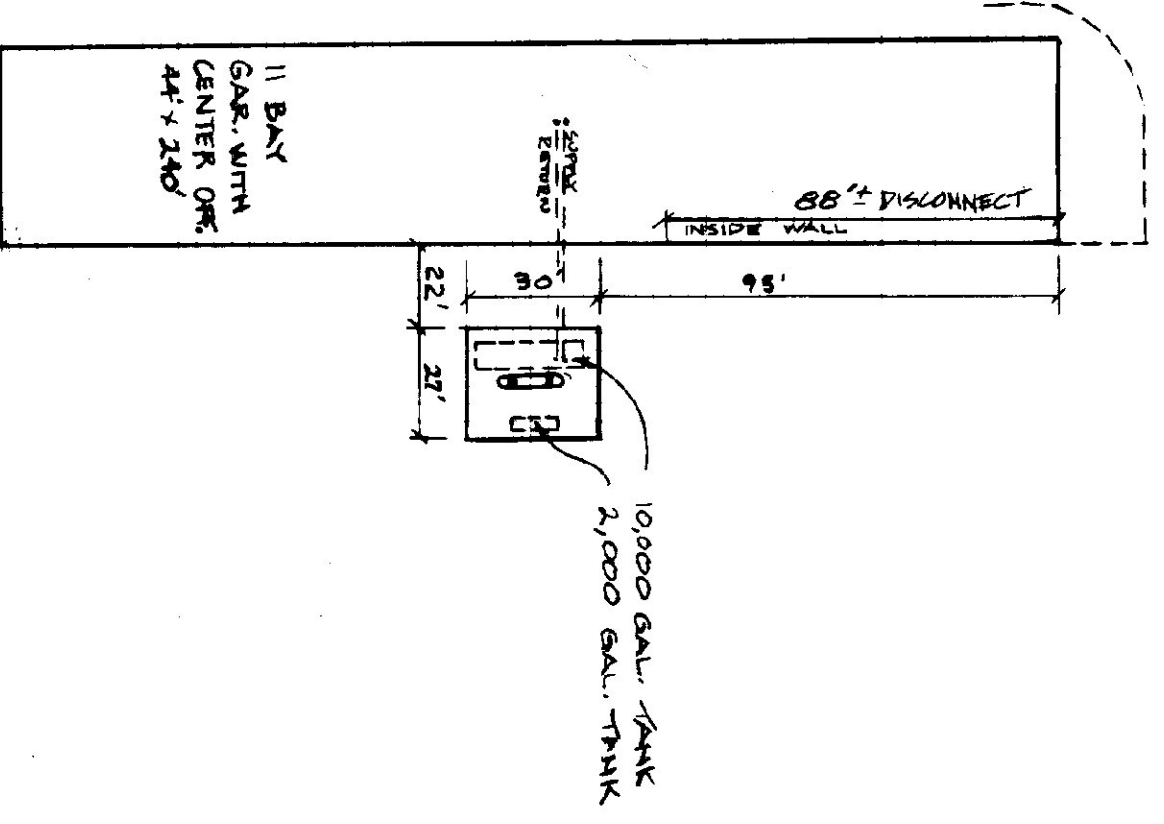
ANCHOR BOLT PLACEMENT PLAN
SCALE 3/4" = 1'-0"



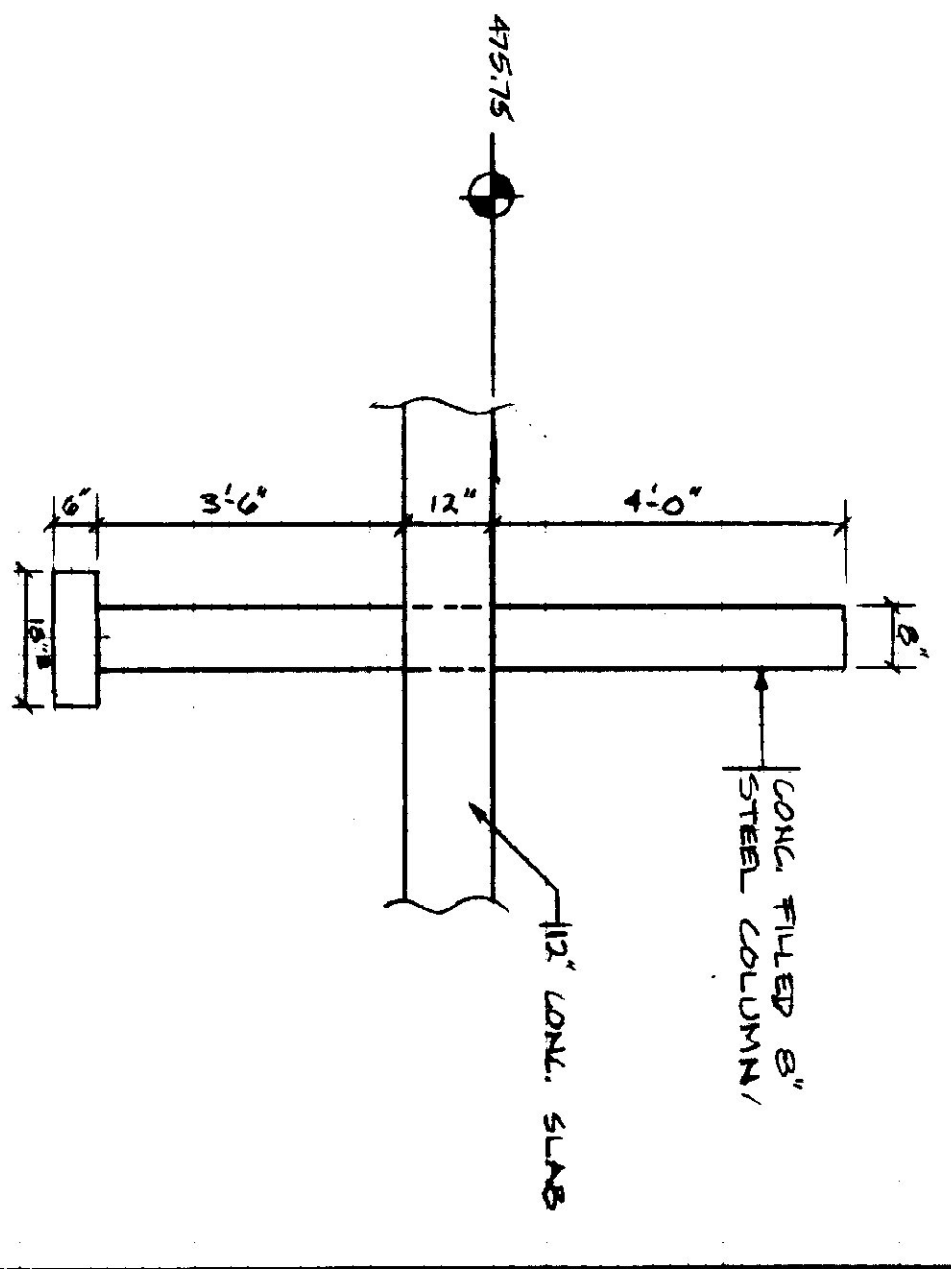
SECTION 2
SCALE 1/2" = 1'-0"

- SLAB NOTES**
- 1) ALL CONCRETE SHALL BE NORMAL WEIGHT HAVING A MINIMUM STRENGTH OF 4000 PSI AT 28 DAYS. CLASS A CONCRETE PER STATE OF VERMONT AGENCY OF TRANSPORTATION STANDARD SPECIFICATIONS FOR CONSTRUCTION.
 - 2) REINFORCING STEEL SHALL COMPLY WITH ASTM A615, GRADE 60.
 - 3) ANCHOR BOLTS TO BE GRADE A307.

- NOTES: PUMP & TANKS**
- 1) PROVIDE 1 GAS BOX 50, MODEL 52 C & CONNECT TO NEW 3,000 GAL. GAS TANK.
 - 2) PROVIDE 1 GAS BOX 50 MODEL 5300 TWIN PUMP & CONNECT TO NEW 10,000 GAL. DIESEL TANK.
 - 3) GAS & DIESEL TANK (STI-PS SYSTEM DOUBLE WALL TANKS).



PLAN
SCALE 1" = 4'-0"



BOLLARD DETAIL

STATE OF VERMONT DEPARTMENT OF STATE BUILDINGS AGENCY OF ADMINISTRATION MONTPELIER, VERMONT			
FUEL ISLAND SLAB & TANK PLAN/DETAIL DUMMERSTON AOT GARAGE			
DATE	SCALE	REVISIONS	VERMONT
4-22-87	AS NOTED	7-31-87	F-1
DRAWN BY: R. B. BULL	APPROVED BY: F. BULL		L OF L