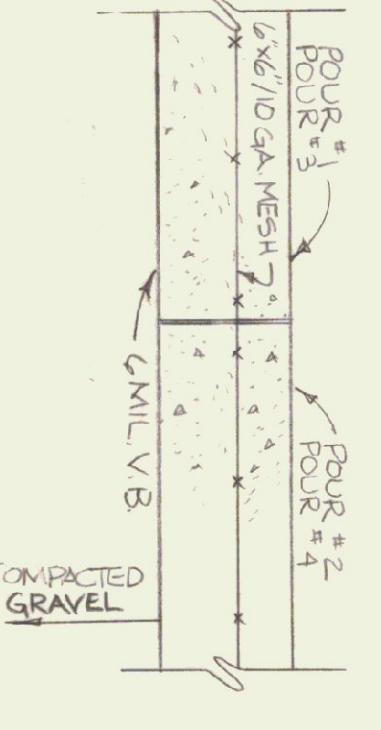
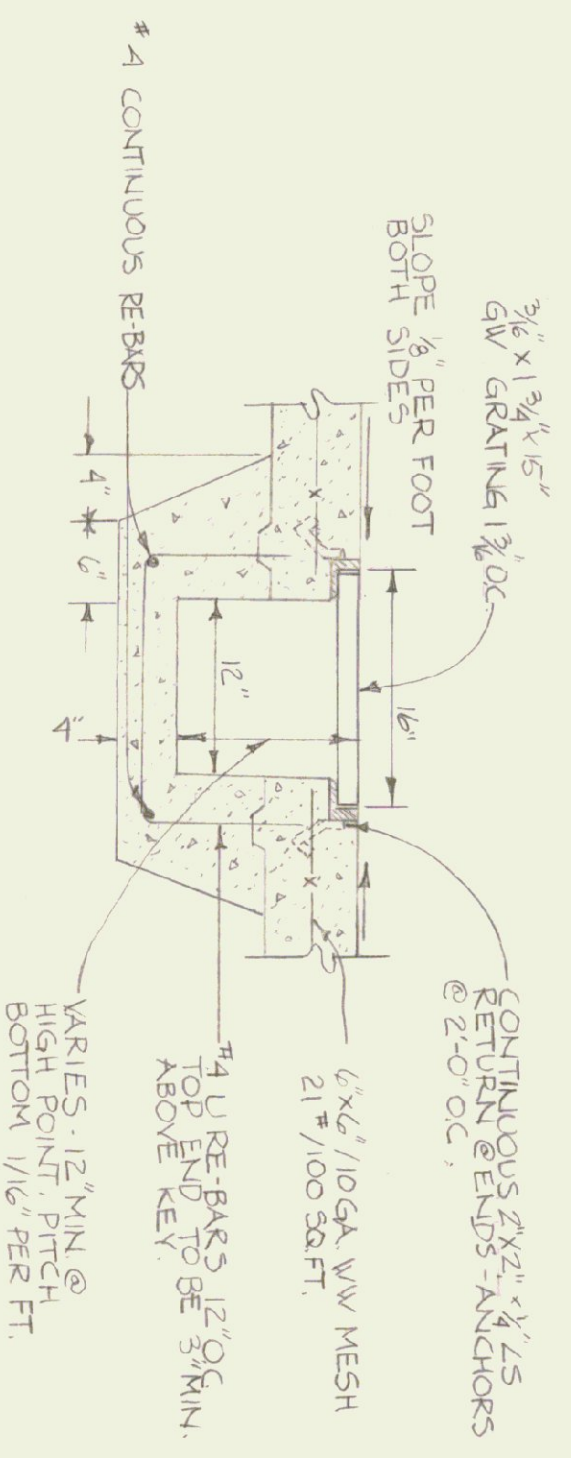


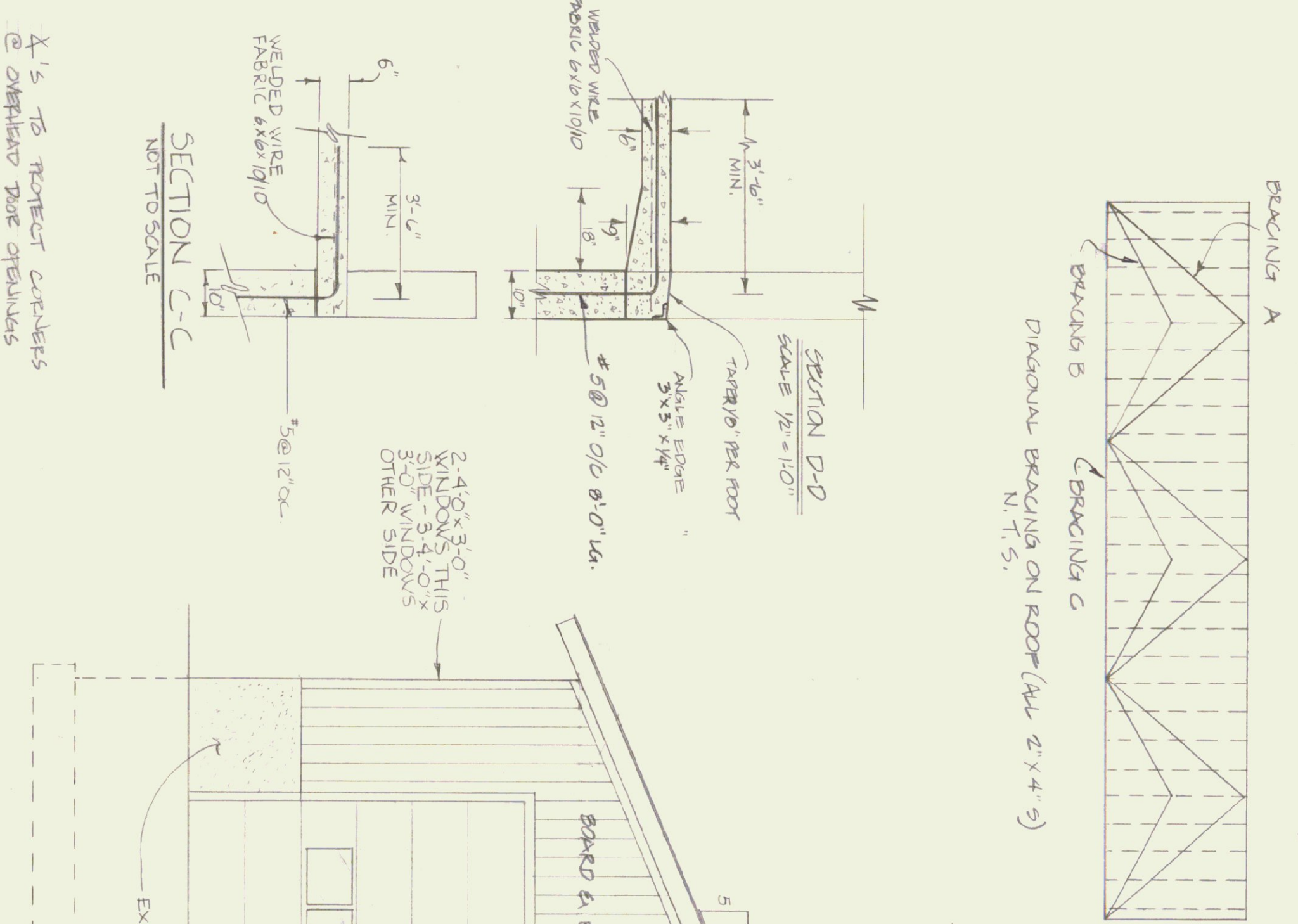
PLAN  
1/4" = 1'-0"



DETAIL - BARKED ED CONTROL JOINT  
1/2" = 1'-0" A-1

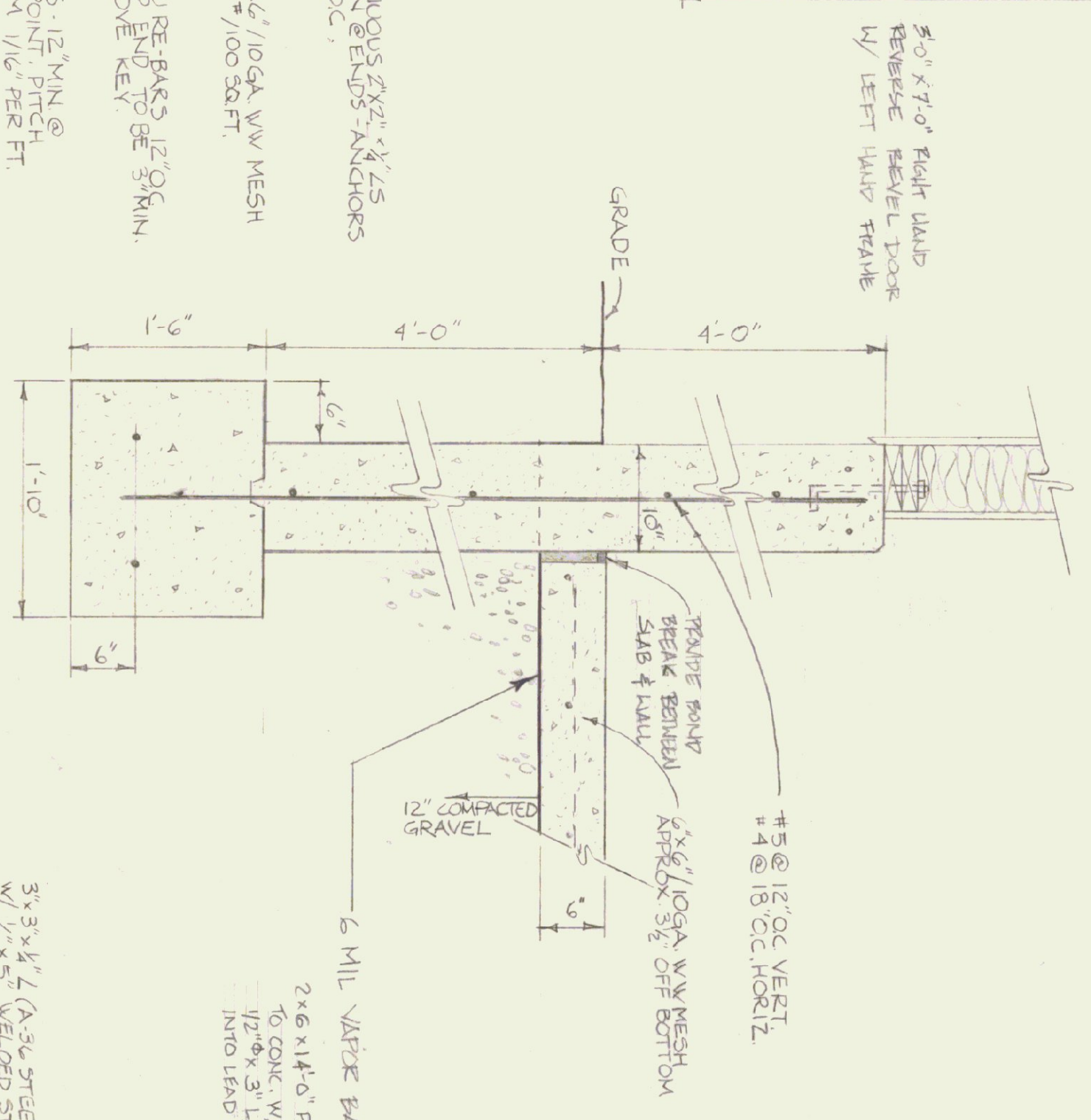
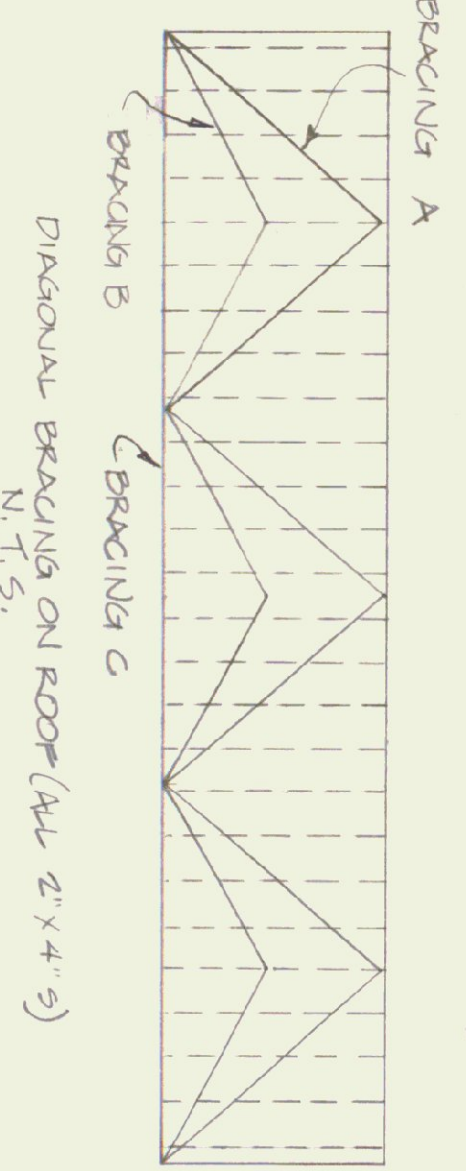


SECTION A-A  
1" = 1'-0"

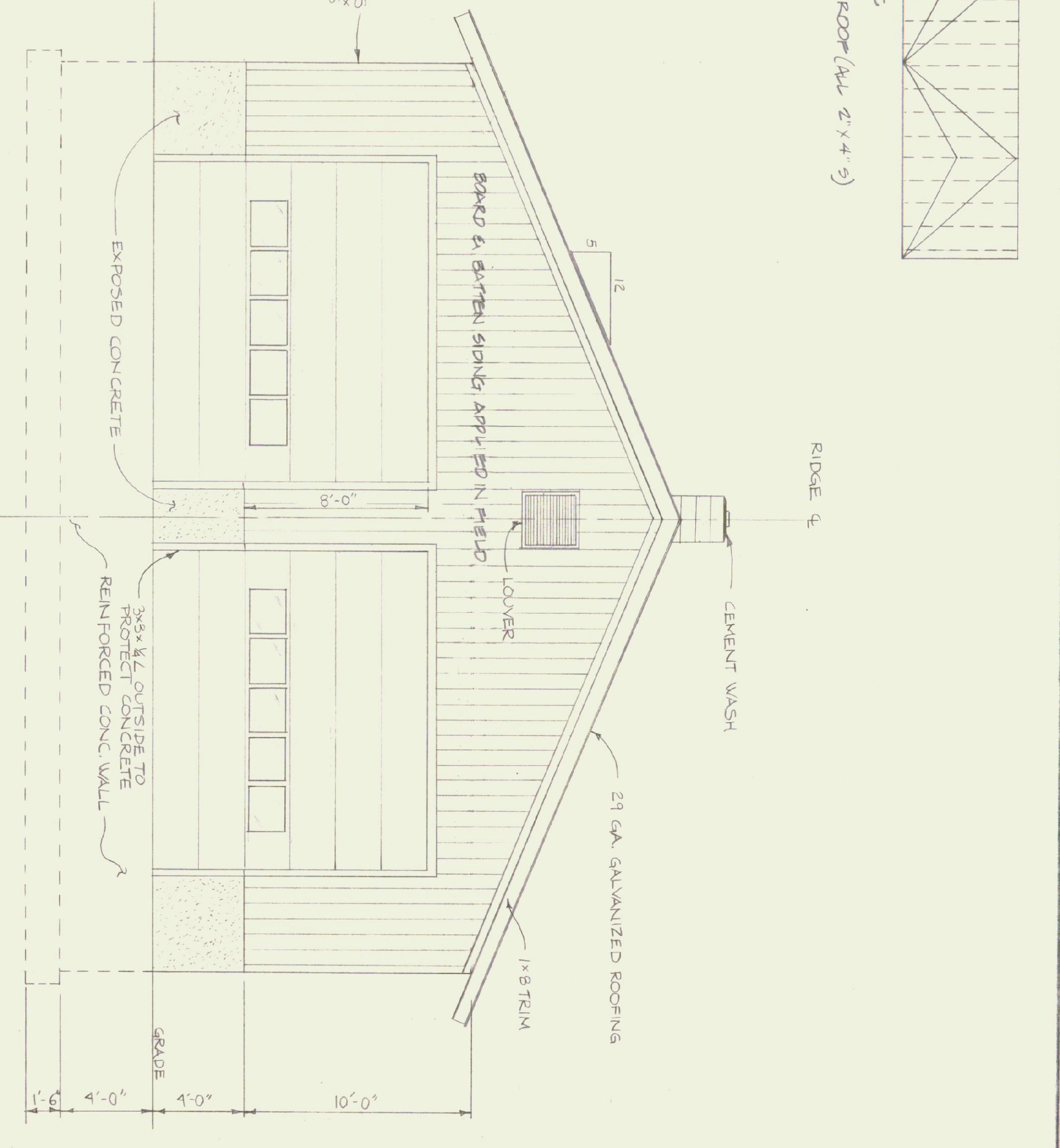


SECTION C-C  
NOT TO SCALE

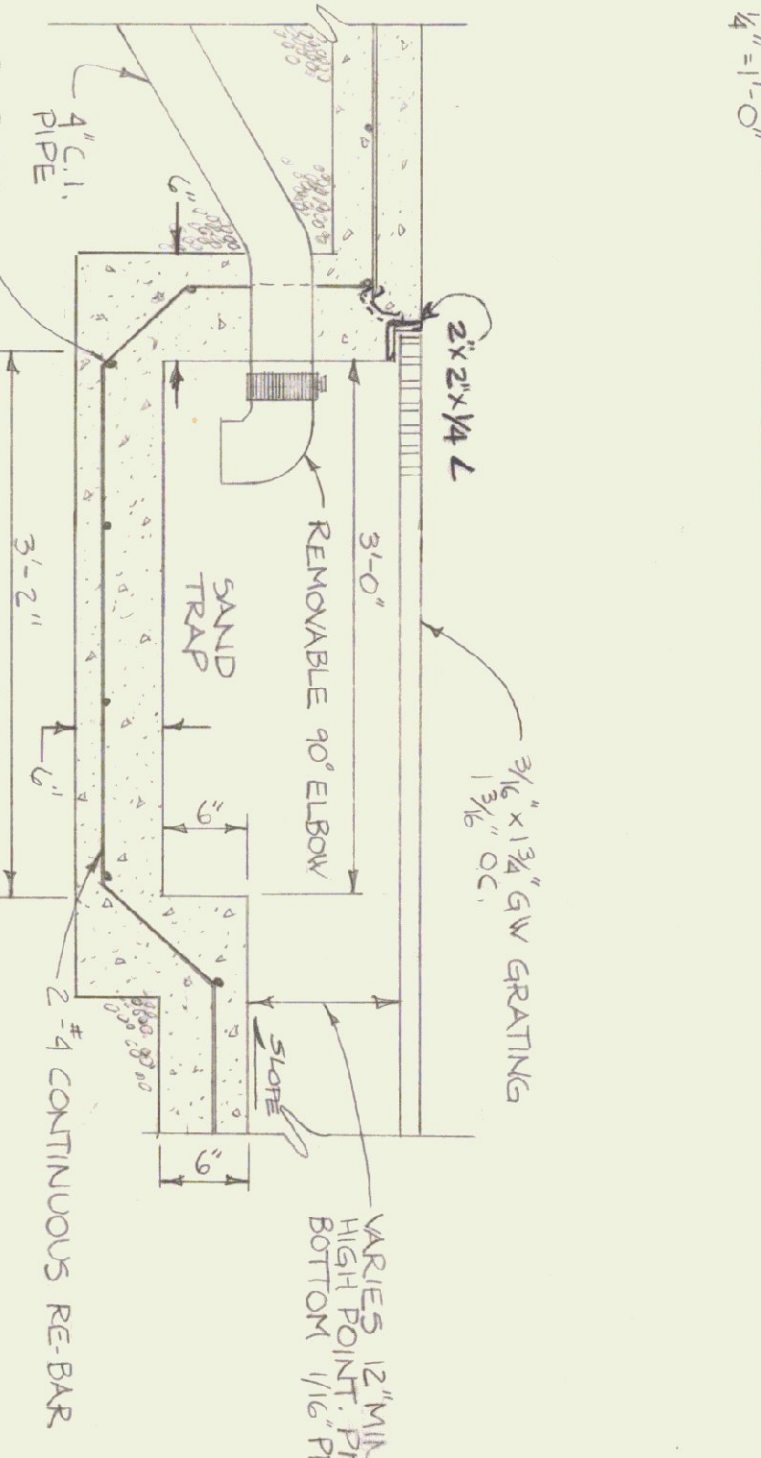
SECTION D-D  
SCALE 1/2" = 1'-0"



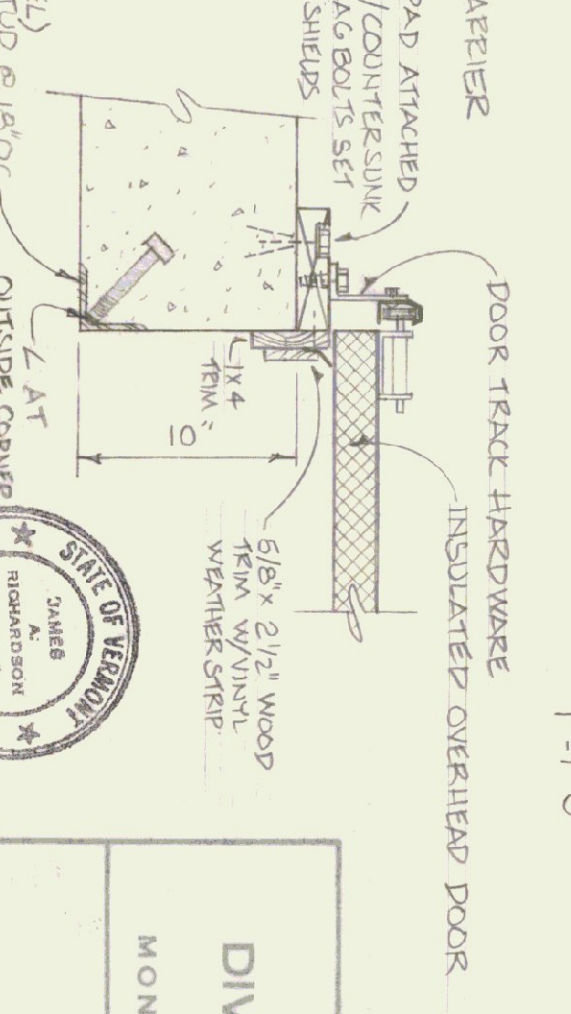
TYPICAL WALL SECTION E-E  
1" = 1'-0"



FRONT ELEVATION  
1/4" = 1'-0"



SECTION B-B  
1" = 1'-0"



DETAIL - CORNER PROTECTOR  
1/2" = 1'-0" A-1

STATE OF VERMONT DIVISION OF STATE BUILDINGS AGENCY OF ADMINISTRATION MONTPELIER, VERMONT		PROPOSED 2-BAY MAINTENANCE GARAGE 40' X 50'	
DATE: 3/3/83 DRAWN BY: P.A.R. SCALE: AS SHOWN APPROVED BY: F. BART	REVISIONS: APR 2/29/83 1st 11/1/83	DWG. NO.: A-1 SHEET: 1 OF 3	VERMONT

