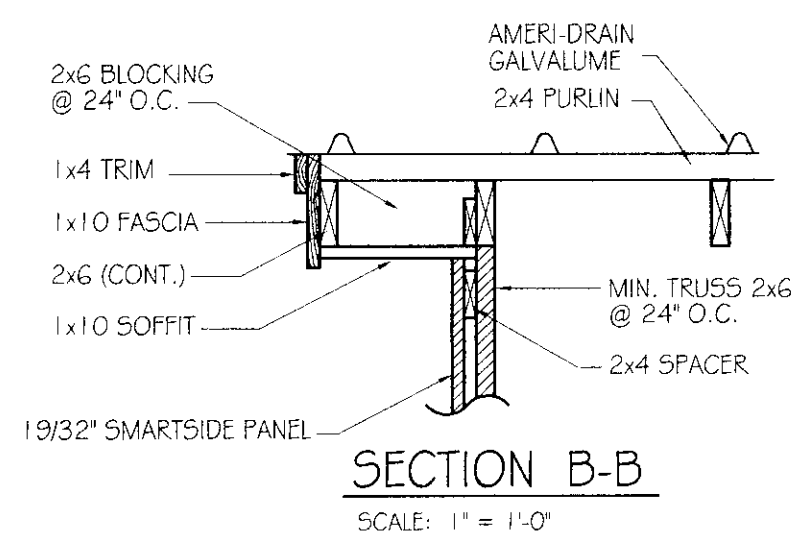
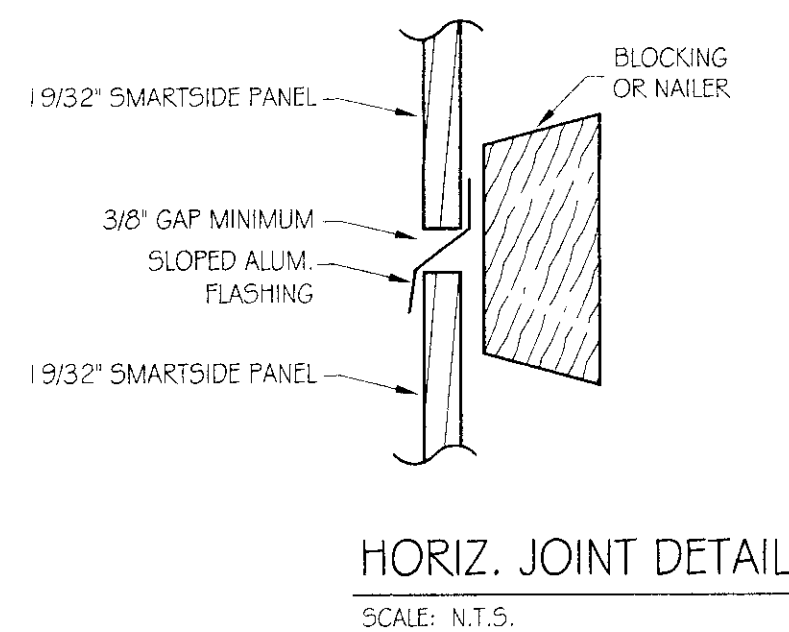


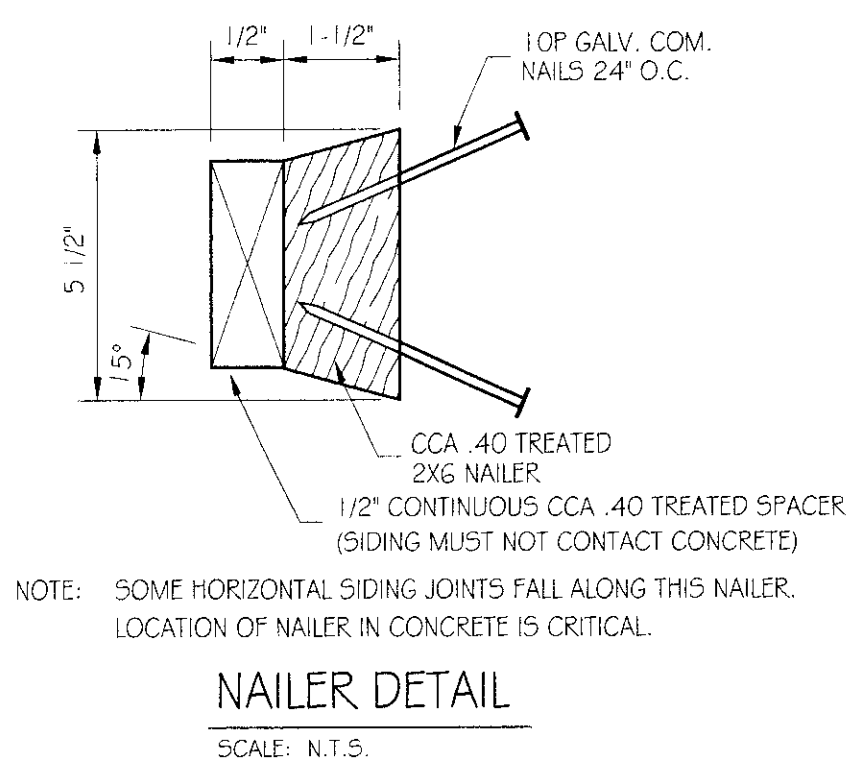
SECTION A-A
SCALE: 1" = 1'-0"



SECTION B-B
SCALE: 1" = 1'-0"

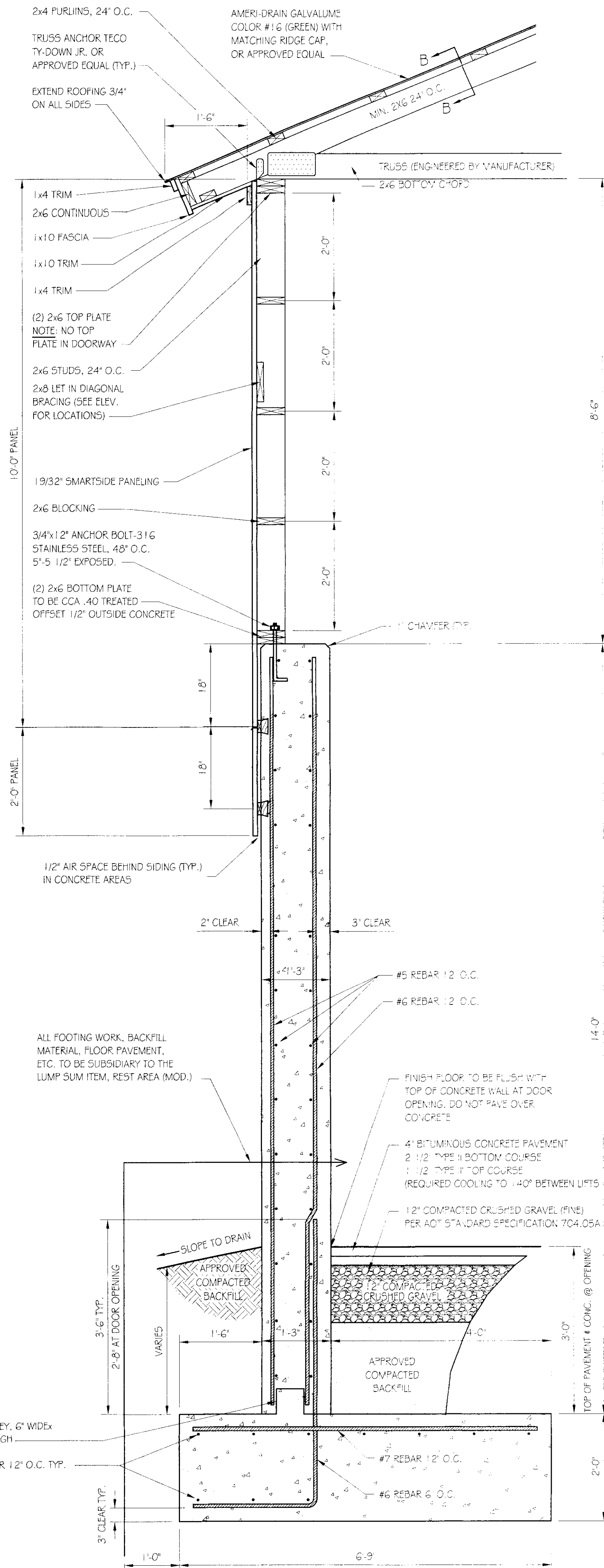


HORIZ. JOINT DETAIL
SCALE: N.T.S.

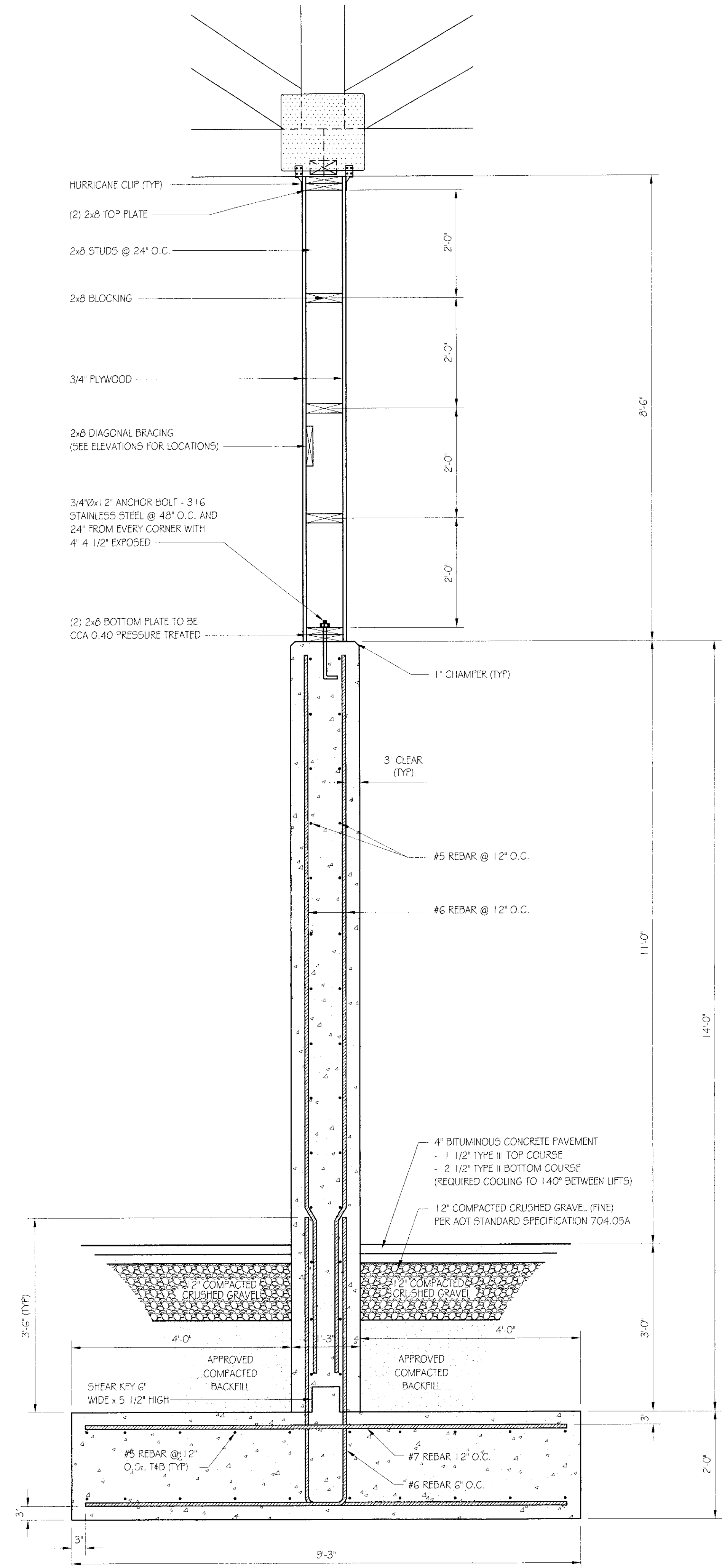


NOTE: SOME HORIZONTAL SIDING JOINTS FALL ALONG THIS NAILER. LOCATION OF NAILER IN CONCRETE IS CRITICAL.

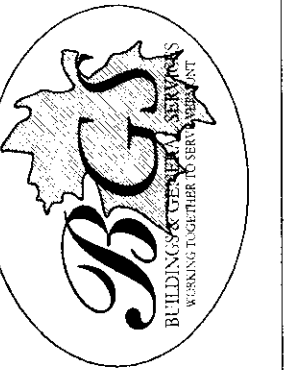
NAILER DETAIL
SCALE: N.T.S.



A WALL SECTION
SCALE: 3/4" = 1'-0"



B WALL SECTION
SCALE: 3/4" = 1'-0"



STATE OF VERMONT
Department of Buildings
and General Services
Agency of Administration
Montpelier, Vermont



VERMONT

AGENCY OF TRANSPORTATION
NEW 80' x 84' SALT SHED
SECTIONS

WILMINGTON

REVISIONS

SCALE:	A5 NOTED
DATE:	MAY 2005
DRAWN BY:	S.K. Janawicz
APPR. BY:	R. BARRY

AGENCY OF TRANSPORTATION
NEW 80' x 84' SALT SHED
SECTIONS

A2