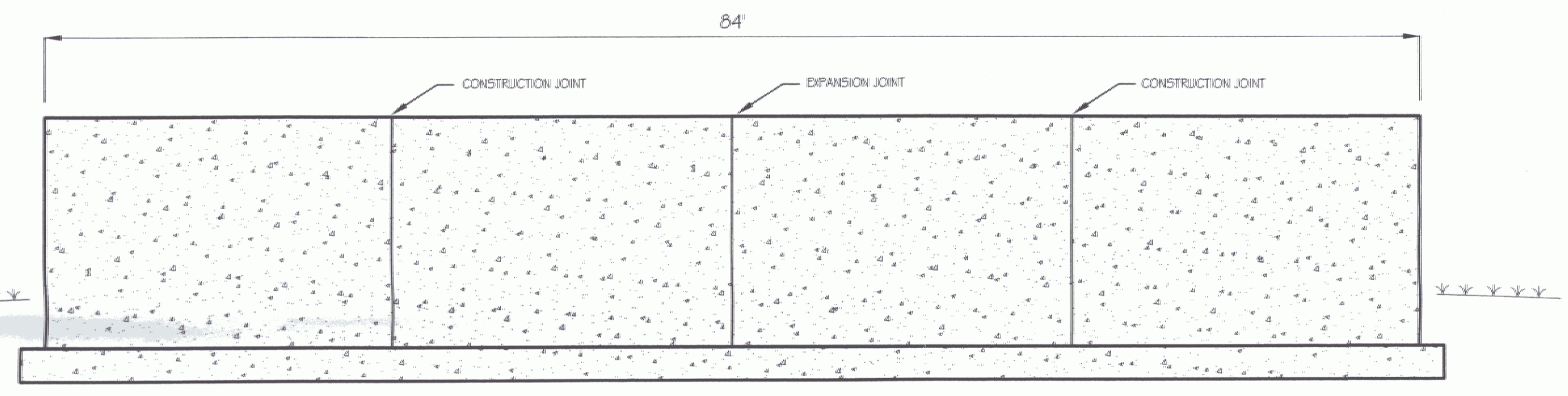
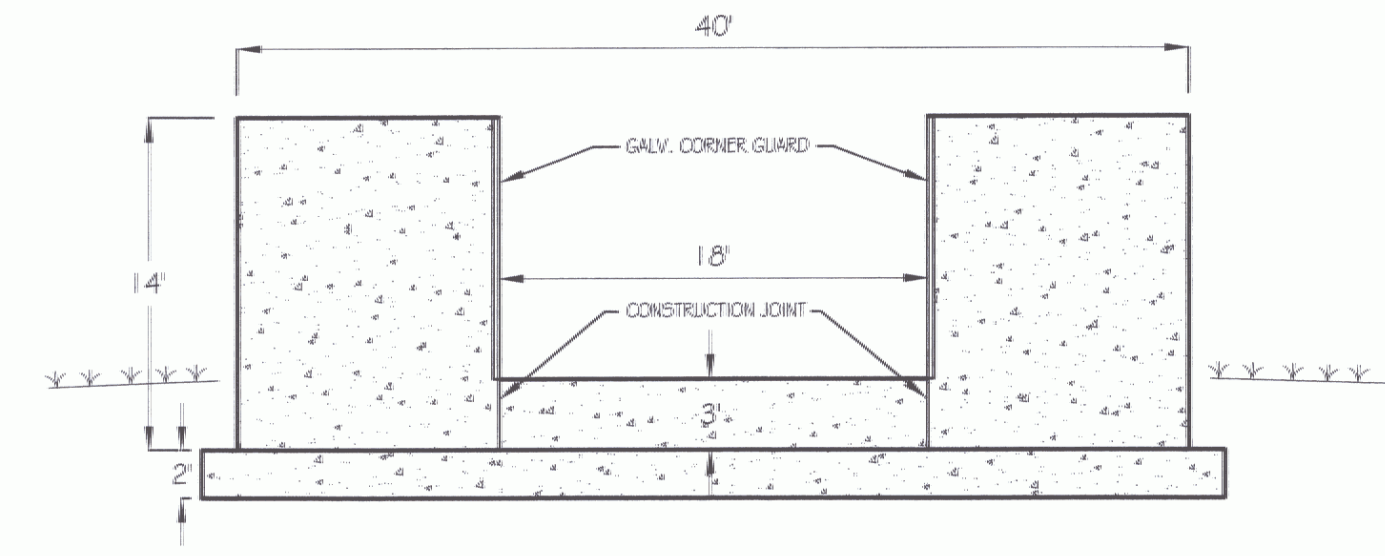


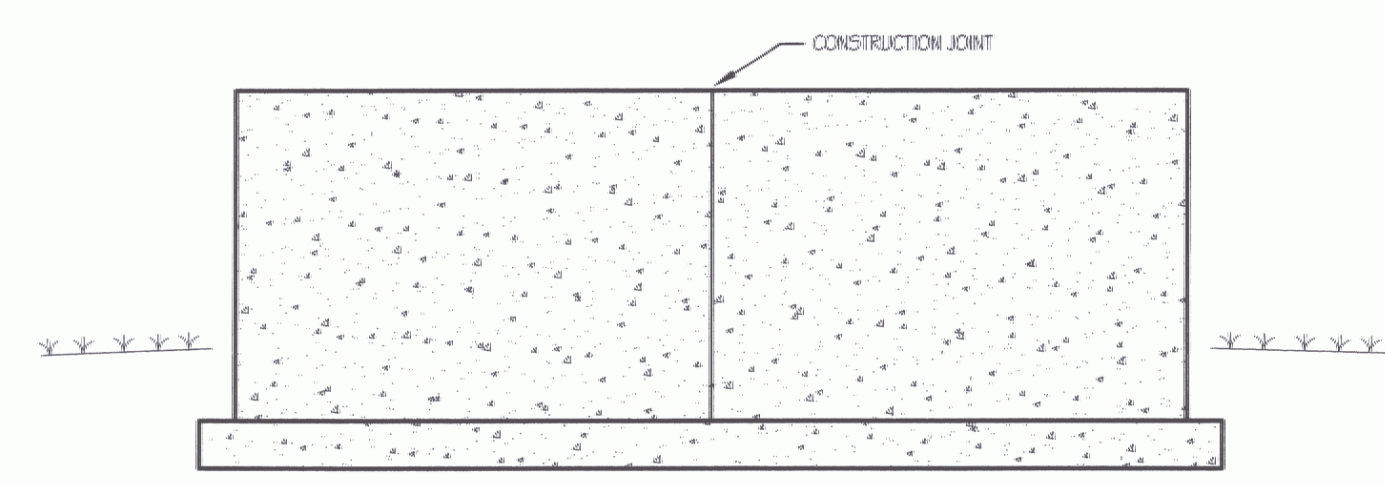
FOUNDATION PLAN
SCALE: 1/8"=1'-0"



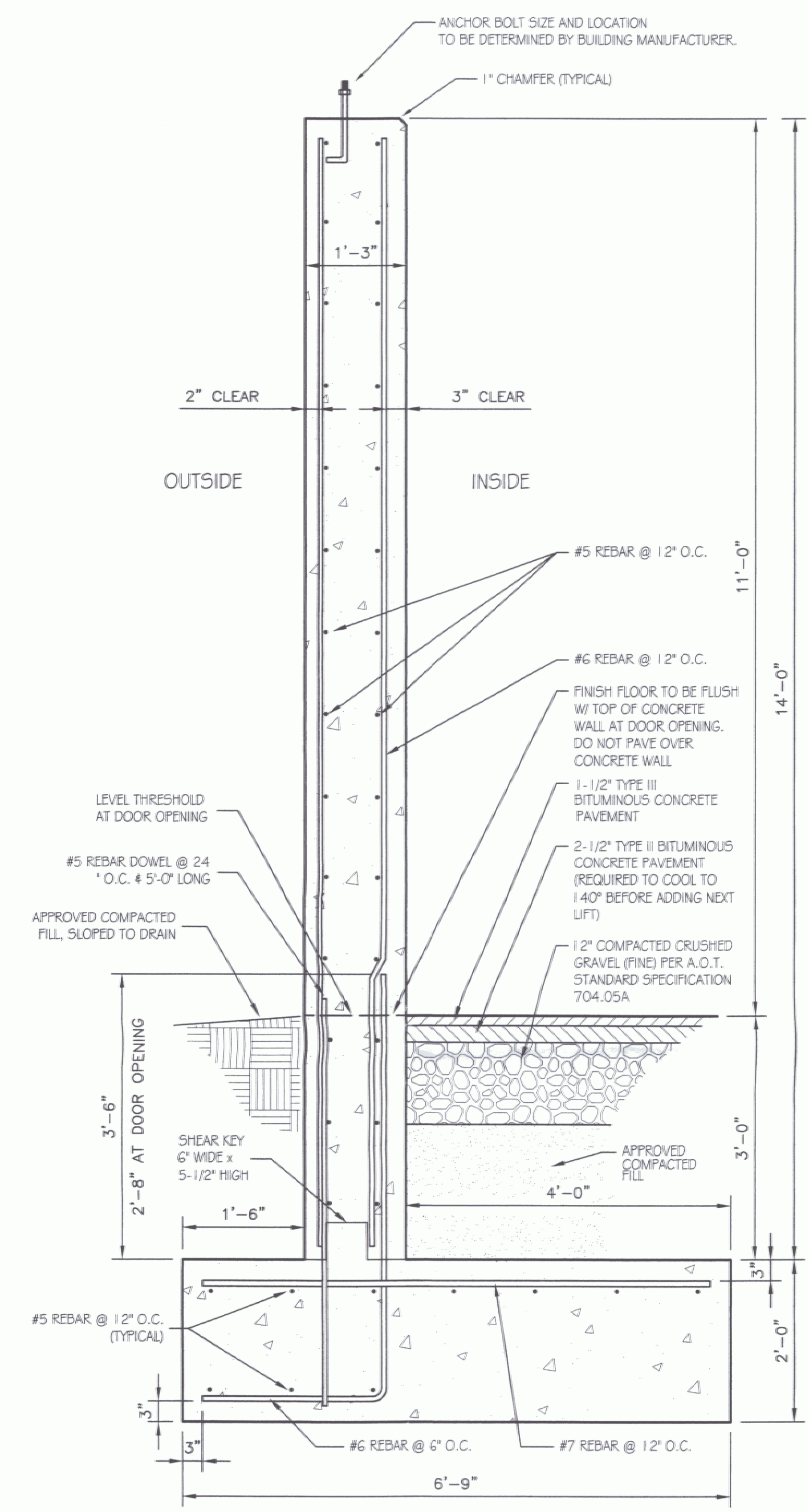
SIDE ELEVATION
SCALE: 1/8"=1'-0"



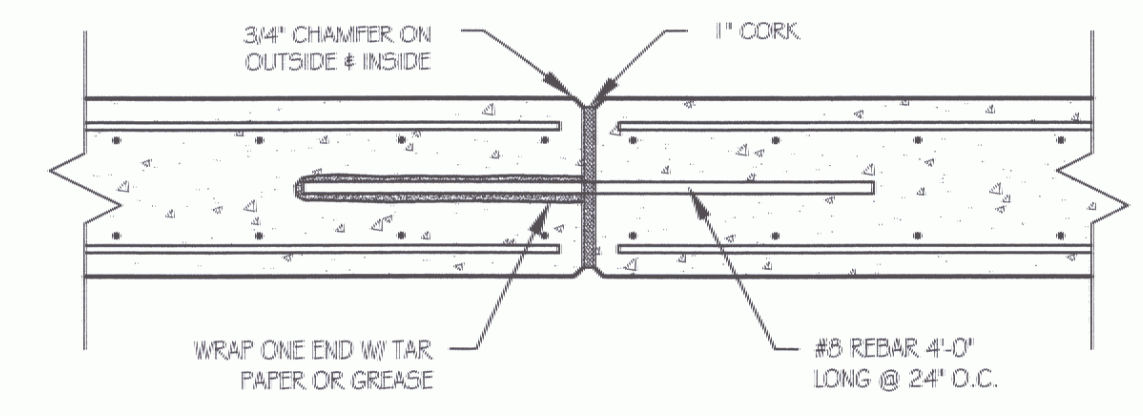
FRONT ELEVATION
SCALE: 1/8"=1'-0"



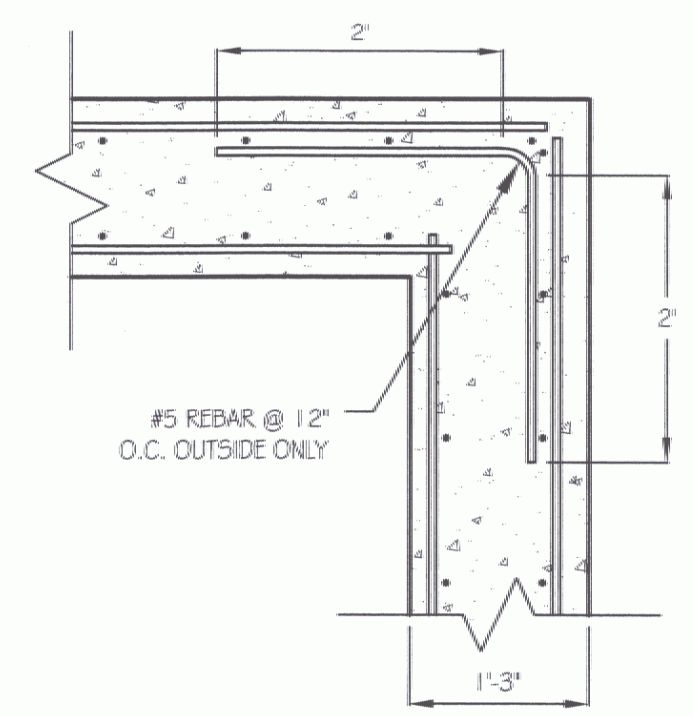
BACK ELEVATION
SCALE: 1/8"=1'-0"



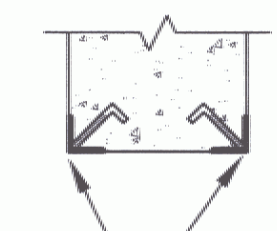
WALL SECTION
SCALE: 3/4"=1'-0"



EXPANSION JOINT DETAIL
SCALE: 3/4"=1'-0"



CORNER DETAIL
SCALE: 3/4"=1'-0"



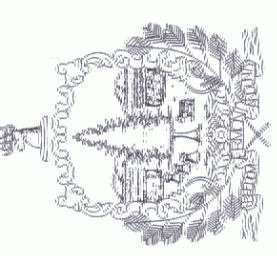
CORNER GUARD DETAIL
SCALE: 3/4"=1'-0"

CONCRETE NOTES:

- ALL EXCAVATION, BACKFILL, PAVING, AND GRADING WORK TO BE DONE BY OWNER.
- CONCRETE TO BE 3500 PSI CLASS "B" PER A.O.T. STANDARD SPECIFICATION TABLE 501.03A WITH 5% ± 1% AIR ENTRAINMENT, AND 2"-4" SLUMP.
- GALVANIZED ANGLE IRON CAST INTO WALL CORNERS AT DOOR OPENINGS.
- 1/2" "V" JOINTS IN EXPOSED FACE OF CONSTRUCTION AND EXPANSION JOINTS.
- RE-BAR TO BE CONTINUOUS THROUGH CONSTRUCTION JOINTS.
- NO HORIZONTAL CONSTRUCTION JOINTS IN WALLS - CONTINUOUS POUR.
- NO CONSTRUCTION OR EXPANSION JOINTS REQUIRED IN FOOTINGS.
- CONTRACTOR TO LEAVE NO METAL WITHIN 1" OF SURFACE. USE 1" DEEP PLASTIC CONES AT ALL TIES AND PLUG ALL TIE HOLES WITH AN APPROVED NON-SHRINK GROUT.
- ALL RE-BAR TO BE GRADE 60 W/ 3" CLEARANCE ON INTERIOR AND 2" CLEARANCE ON EXTERIOR.
- RE-BAR TO BE STORED ON BLOCKING 4" MINIMUM ABOVE GROUND PRIOR TO INSTALLATION.
- CONCRETE SUPPLIER TO PROVIDE TEST CYLINDERS FOR CONCRETE TESTING.
- ALL CONCRETE TESTING TO BE DONE BY OWNER. CONTRACTOR IS RESPONSIBLE FOR SCHEDULING.
- EXPOSED WALLS TO HAVE FORM JOINT RIDGES, TIE HOLES, AND CAVITIES DRESS FINISHED PER A.O.T. STANDARD SECTION 501.16.
- WALL FORMS SHALL BE LEFT IN PLACE FOR 72 HOURS MINIMUM.
- FOOTING FORMS SHALL REMAIN IN PLACE FOR 24 HOURS MINIMUM.
- CONCRETE CURING SHALL FOLLOW IMMEDIATELY AFTER FORM REMOVAL PER A.O.T. STANDARD 501.17. WATER CURING WILL BE REQUIRED, UNLESS ALTERNATE MEANS OF CURING IS APPROVED, IN WRITING, BY THE PROJECT ENGINEER.
- LINSEED OIL BY A.O.T. PRIOR TO PAVING.



STATE OF VERMONT
Department of Buildings
and General Services
Agency of Administration
Montpelier, Vermont



AGENCY OF TRANSPORTATION
40' x 84' SALT SHED FOUNDATION
PLAN, DETAILS & ELEVATIONS

REVISIONS

SCALE:	AS NOTED
DATE:	MAY 2005
DRAWN BY:	S.K. Janawicz
APPR. BY:	R. BARRY

AGENCY OF TRANSPORTATION
NEW 40' x 84'
SALT SHED FOUNDATION
PLAN, DETAILS & ELEVATIONS