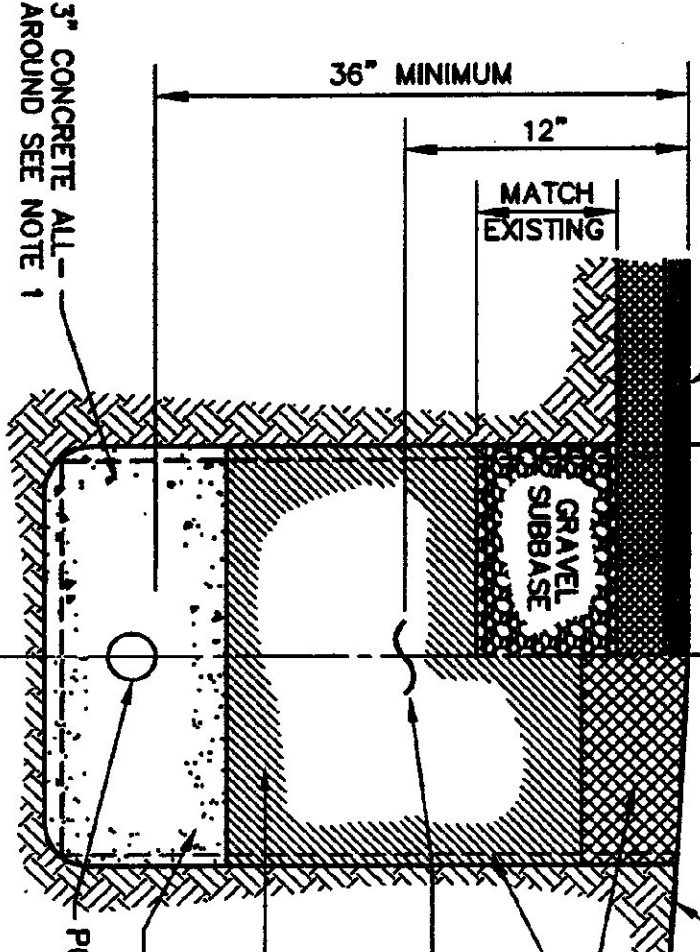
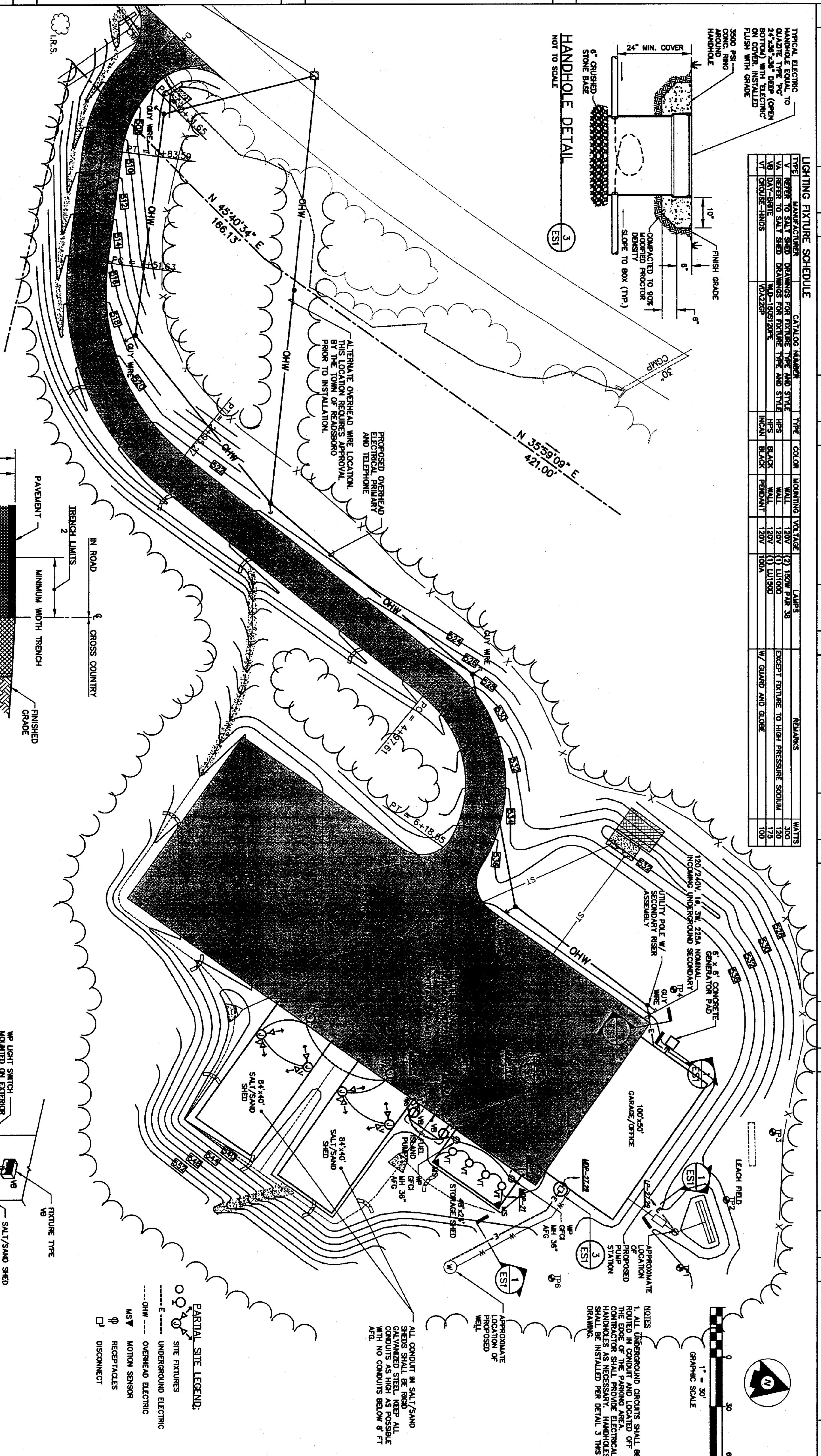
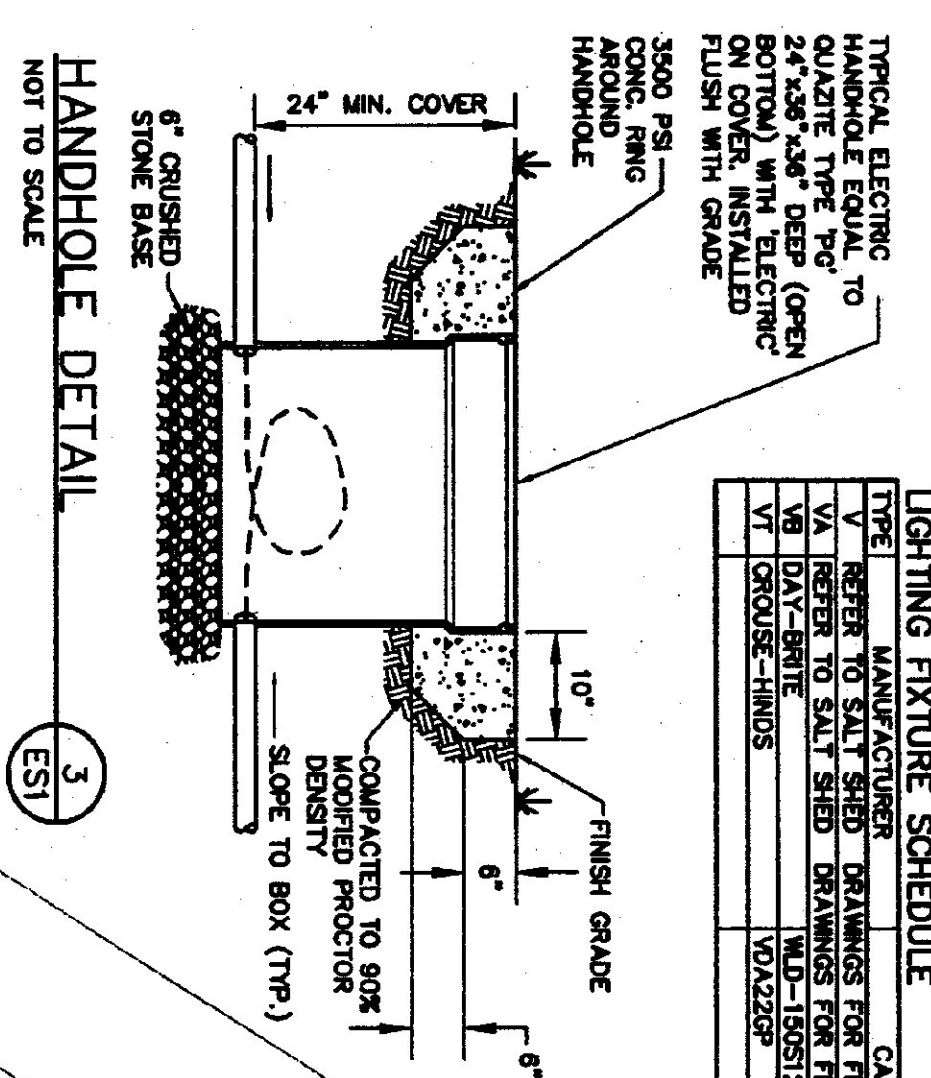
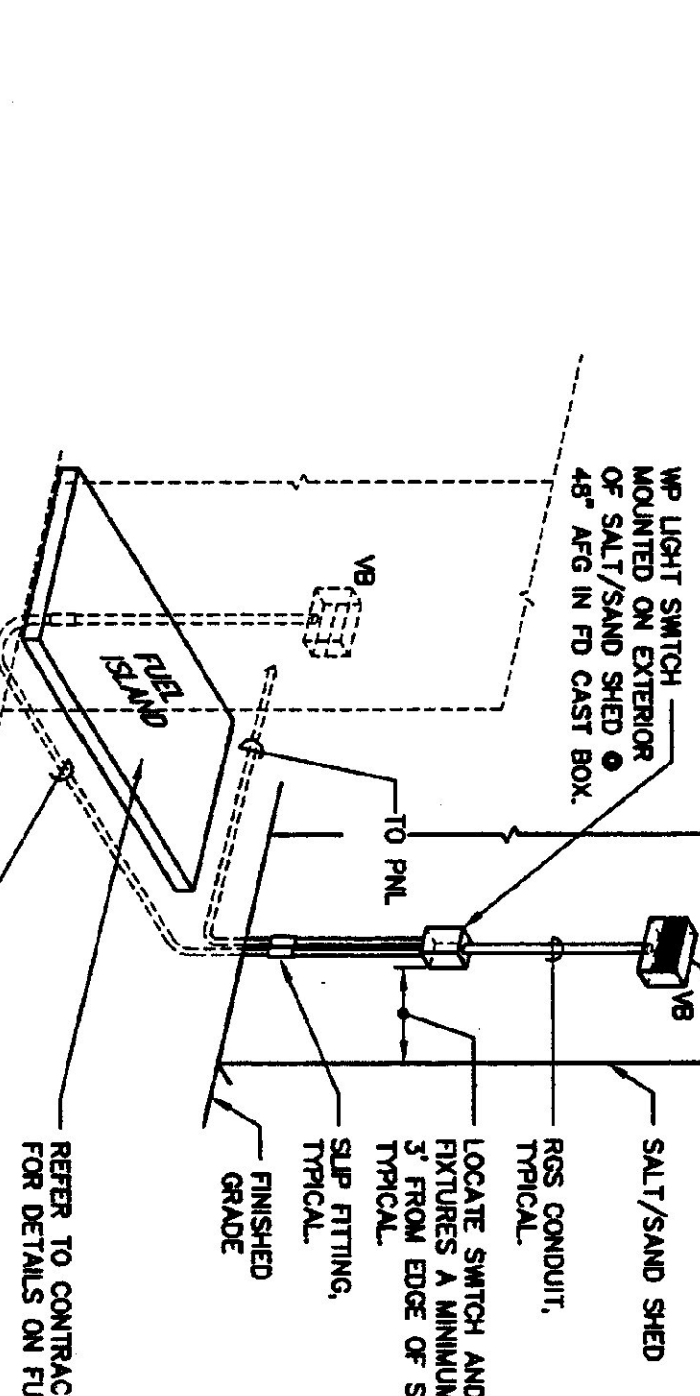


LIGHTING FIXTURE SCHEDULE

TYPE	MANUFACTURER	CATALOG NUMBER	TYPE	COLOR	MOUNTING VOLTAGE	LUMENS	REMARKS	WATTS
V	REFER TO SALT SHED DRAWINGS FOR FIXTURE TYPE AND STYLE		WALL	BLACK	120V	(2) 150W PAR 38		300
VA	REFER TO SALT SHED DRAWINGS FOR FIXTURE TYPE AND STYLE		WALL	BLACK	120V	(1) LIT 500		120
VB	DAY-BRITE	WAL-1505120E	WALL	BLACK	120V	(1) LIT 500		175
VT	GROUND-FINIS	WAL222P	PENDANT	BLACK	120V	100A	W/ GUARD AND GLOBE	100



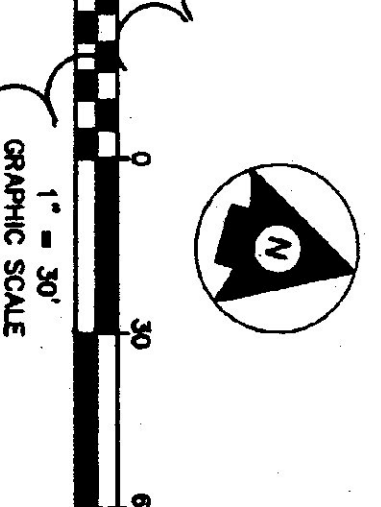
DIG SAFE NOTE:
UTILITIES ARE PLOTTED FROM FIELD LOCATION AND ANY RECORD INFORMATION AVAILABLE, AND SHOULD BE CONSIDERED APPROXIMATE. OTHER UTILITIES MAY EXIST WHICH ARE NOT EVIDENT OR FOR WHICH RECORD INFORMATION IS NOT AVAILABLE. ALL OPERATIONS SHALL BE ACCORDING TO THE STATE OF VERMONT'S REGULATIONS AS AMENDED) MUST CONTACT ALL UTILITY COMPANIES BEFORE EXCAVATING AND DRILLING. ALSO, CALL "DIG SAFE" AT (888)344-7233 [(888)DIG-SAFE].



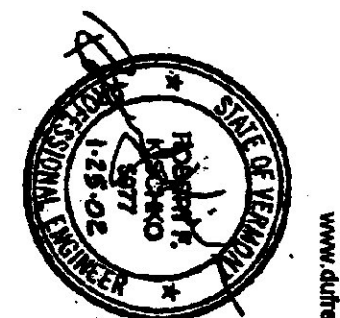
PARTIAL SITE LEGEND:
 ○ SITE FIXTURES
 ○ UNDERGROUND ELECTRIC
 ○ OVERHEAD ELECTRIC
 ○ MOTION SENSOR
 ○ RECEPTACLES
 □ DISCONNECT

ALL CONDUIT IN SALT/SAND SHEDS SHALL BE RIGID GALVANIZED STEEL, KEEP ALL CONDUITS AS HIGH AS POSSIBLE WITH NO CONDUITS BELOW 8' FT AFD.

NOTES
 1. ALL UNDERGROUND CIRCUITS SHALL BE ROUTED IN CONDUIT AND LOCATED OFF THE EDGE OF THE PARKING AREA. CONTRACTOR SHALL PROVIDE ELECTRICAL SHIELDING AS NECESSARY. HANDHOLES SHALL BE INSTALLED PER DETAIL 3 THIS DRAWING.



BID DOCUMENTS
 DO NOT REVISE
 January 24, 2002



DH
 Dufresne-Henry
 North Springfield, Vermont
 Tel: (802) 886-2281 • Fax: (802) 886-2280
 www.dufresne-henry.com

The Design Studio of
Linesync Architecture
 111 South Main Street, Vermont 05511, USA
 Tel: (802) 244-4321 • Fax: (802) 244-4320
 www.linesync.com

ELECTRICAL SITE PLAN

READSBORO
 HIGHWAY
 GARAGE PROJECT
 READSBORO, VERMONT

NO.	REVISION PER VTRAMS COMMENTS	DATE
1	REVISED PER VTRAMS COMMENTS	1/24/2002

DATE: 25 OCTOBER 2001
 PROJECT NUMBER: 0000
 SHEET NUMBER: 4
 SHEET TOTAL: 4
ES1