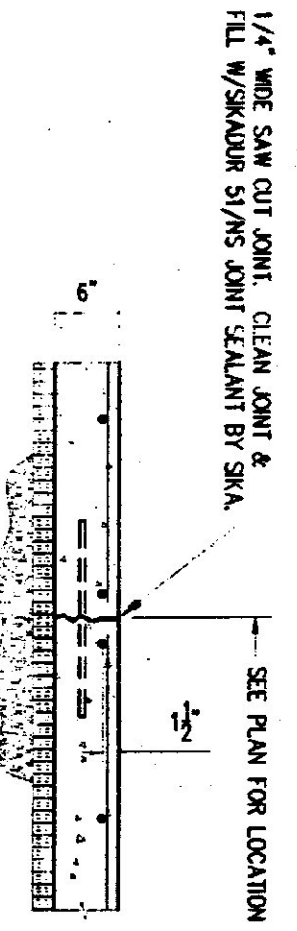


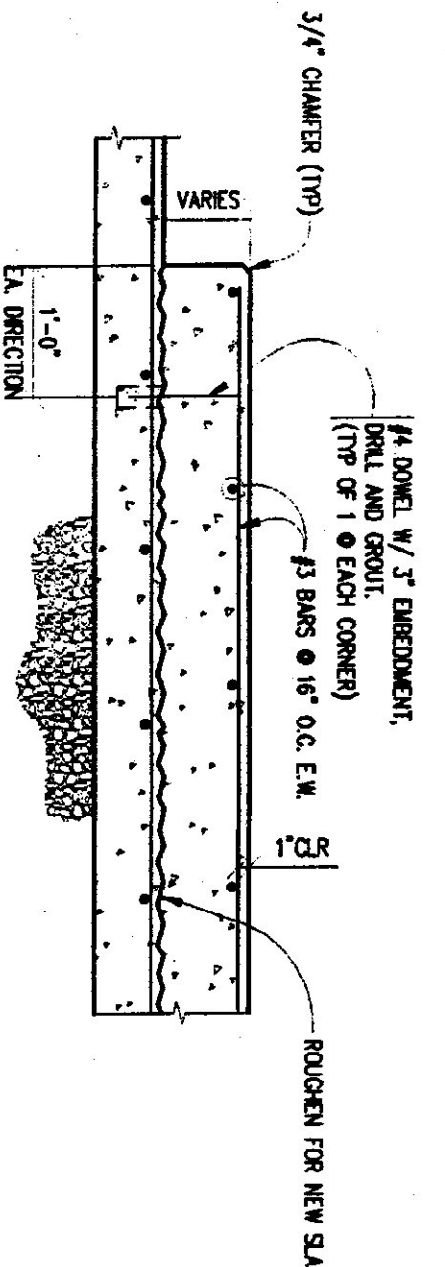
**TYPICAL SLAB-ON-GRADE CONSTRUCTION JOINT**

NOTE:  
1. REFER TO DRAWING S041 FOR CURING SPECIFICATIONS FOR SLAB-ON-GRADE CONSTRUCTION.



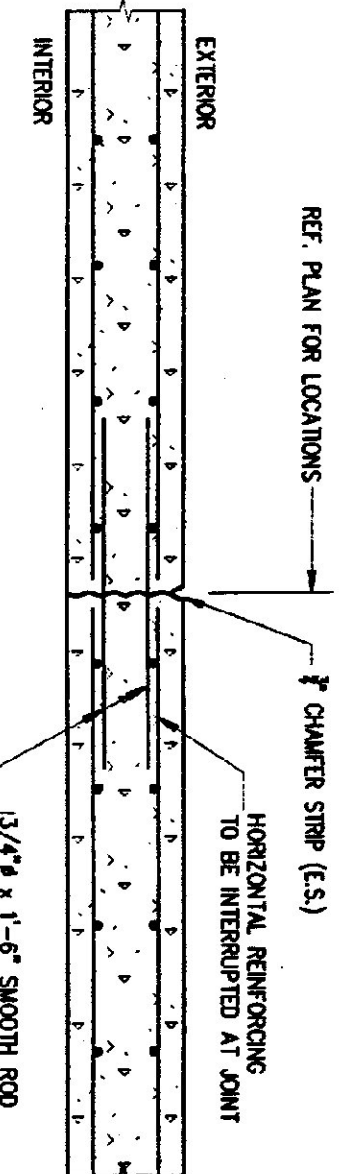
**TYPICAL SLAB-ON-GRADE SAWCUT JOINT**

NOTES:  
1. DETAILS SIMILAR TO SLAB-ON-GRADE CONSTRUCTION.  
2. IT IS IMPORTANT TO SAWCUT THE SLAB AS SOON AS SCHEDULE INSTALLATION OF SEALANT AFTER SLAB IS A MINIMUM OF 45 DAYS OLD.

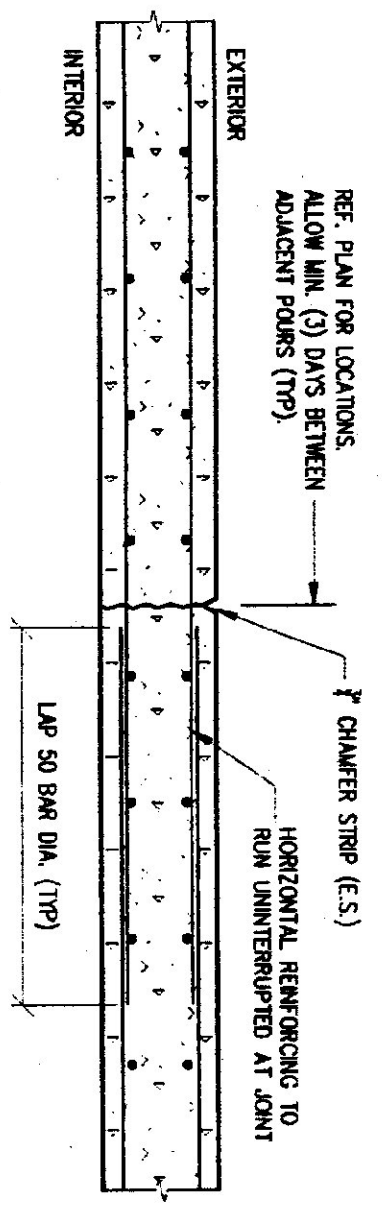


**TYPICAL HOUSEKEEPING PAD**

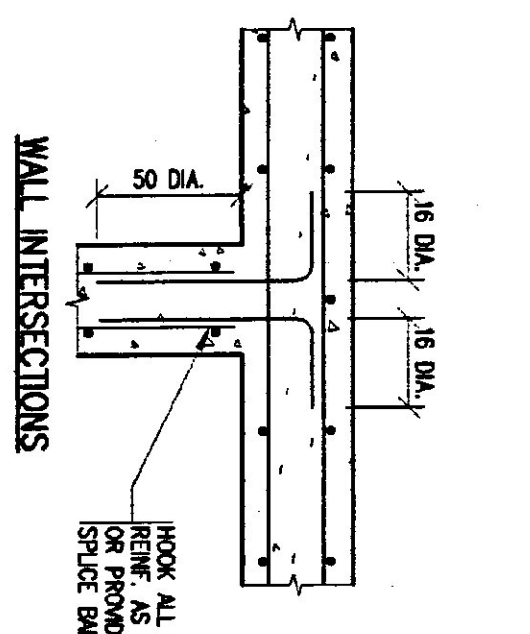
NOTES:  
1. REFER TO AREA DIMS FOR PAD SIZE REQUIREMENTS.  
2. DETAIL SIMILAR FOR HOUSEKEEPING PAD LOCATED ON MEZZANINE LEVEL.



**TYPICAL FOUNDATION WALL CONTROL JOINT**

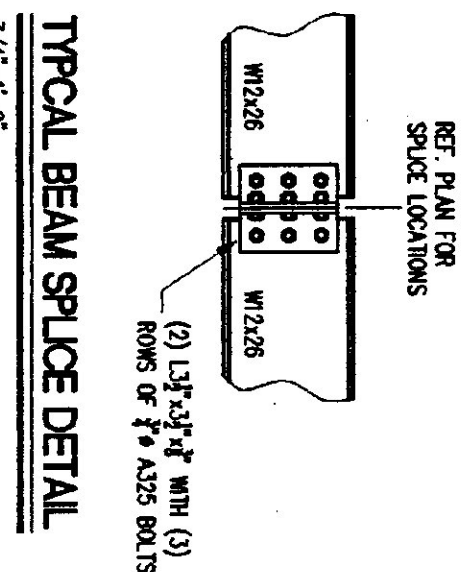
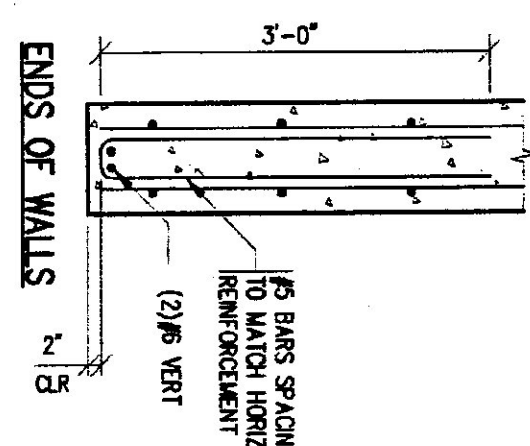
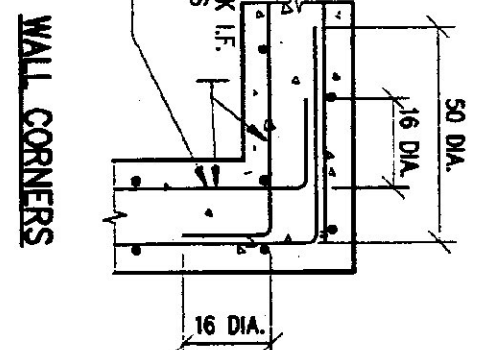


**TYPICAL FOUNDATION WALL CONSTRUCTION JOINT**

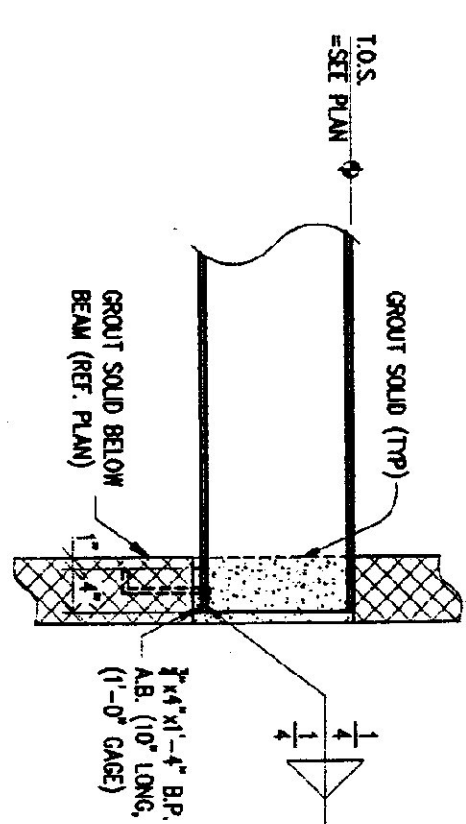


**TYPICAL HORIZONTAL WALL REINFORCEMENT**

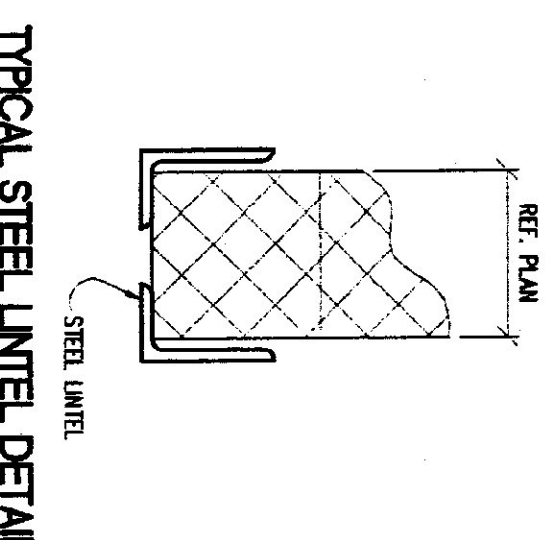
NOTES:  
1. CORNER BARS AND SPICE BARS TO BE SAME SIZE AND SPACING AS HORIZONTAL REINFORCEMENT.  
2. DETAILS SIMILAR FOR WALLS WITH (1) LAYER OF REIN.



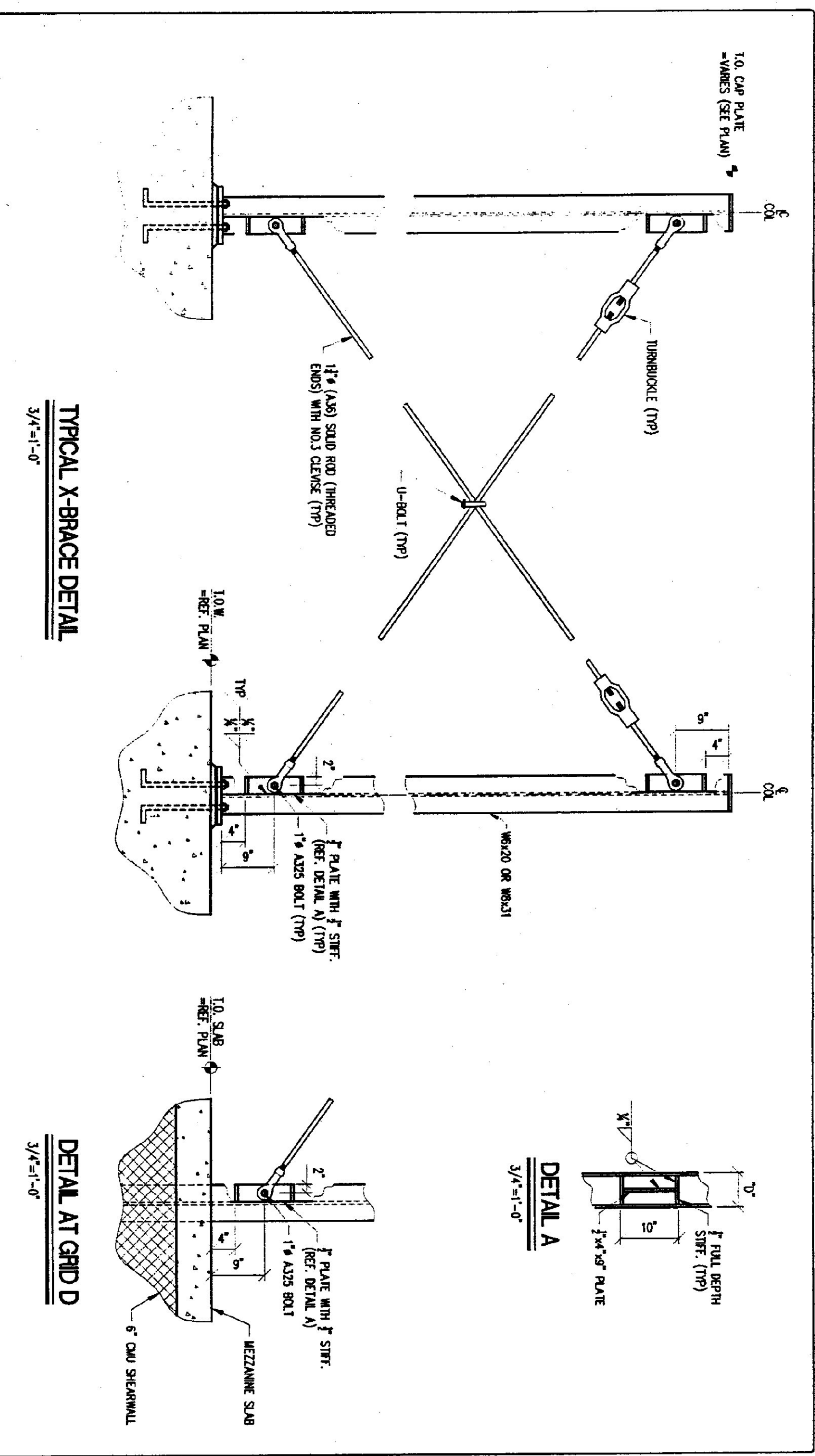
**TYPICAL BEAM SPICE DETAIL**



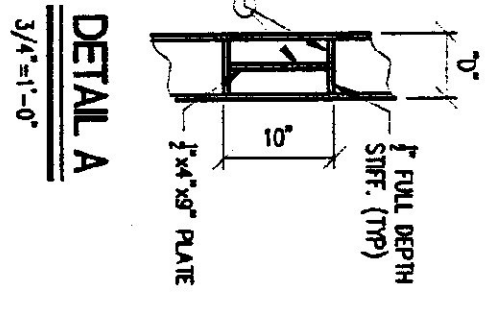
**STEEL BEAM BEARING ON CMU**



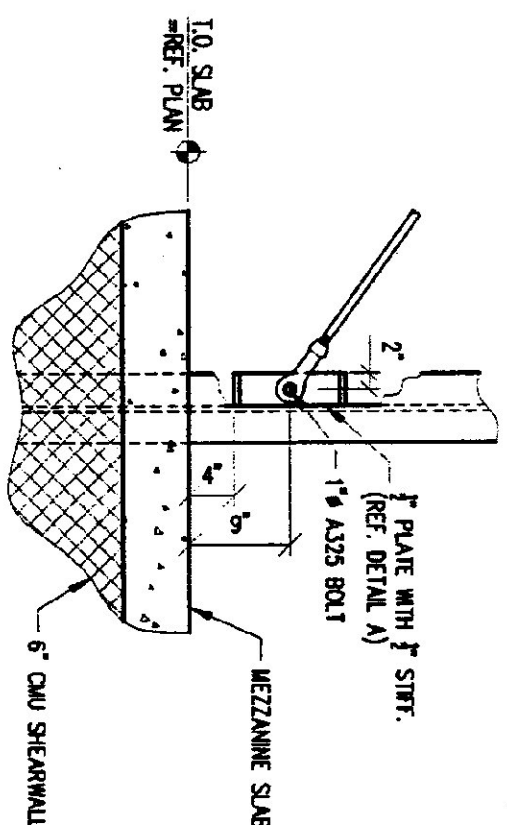
**TYPICAL STEEL Lintel DETAIL**



**TYPICAL X-BRACE DETAIL**

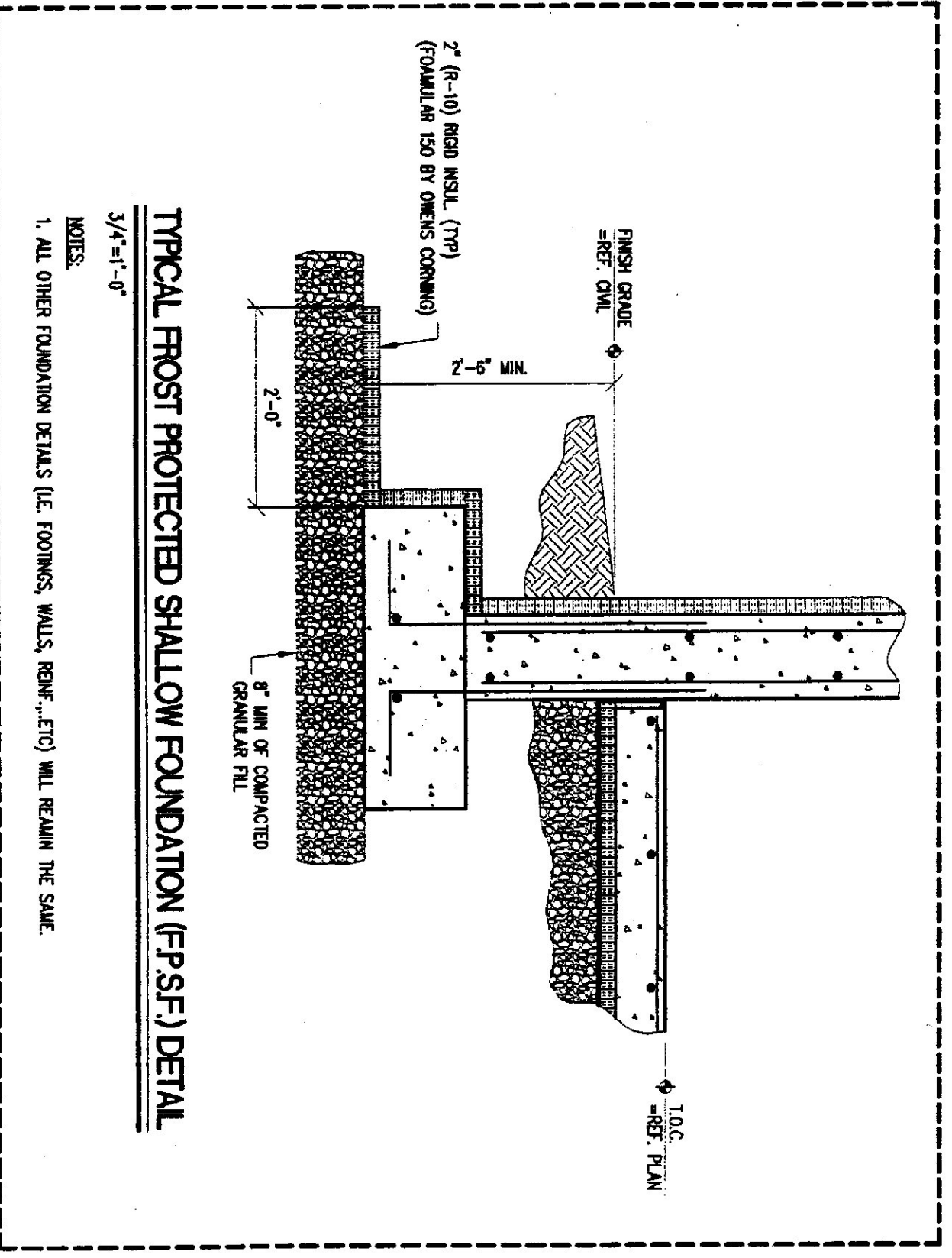


**DETAIL A**



**DETAIL AT GRID D**

**BID ALTERANTE #1**



**TYPICAL FROST PROTECTED SHALLOW FOUNDATION (F.P.S.F.) DETAIL**

NOTES:  
1. ALL OTHER FOUNDATION DETAILS (IE. FOOTINGS, WALLS, REIN., ETC) WILL REMAIN THE SAME.



No.	DATE	REVISION
0	10/12/01	ISSUED FOR CONSTRUCTION
1	2/4/02	INCORPORATED OWNER COMMENTS

**Hallam Engineering**  
A Division of Hallam Associates, Inc.  
60 Farrell St. Suite 300  
St. Burlington, Vermont 05403  
(802) 688-4801

**The Design Studio of LineSync Architecture**  
14 Castle Hill Wilmington Vermont 05383 9745 USA  
v.802.464.2528 / fx.2428 www.LineSync.com

**STATE OF VERMONT**  
**READSBORO HIGHWAY GARAGE PROJECT**  
READSBORO, VERMONT

**STANDARD STRUCTURAL DETAILS**

DRWING	REVISION
1	10/12/01

**S3.1**