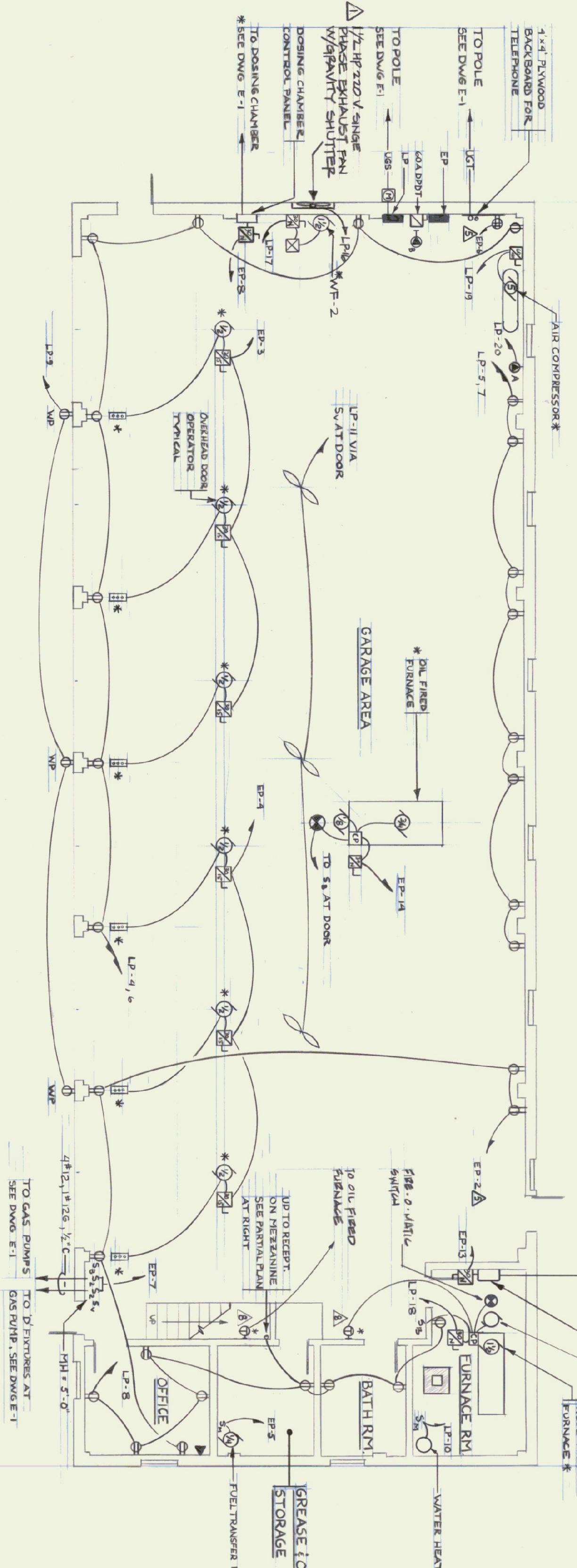
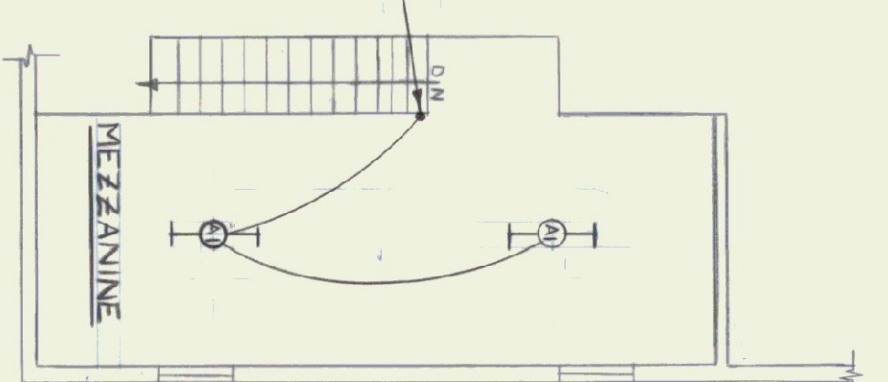


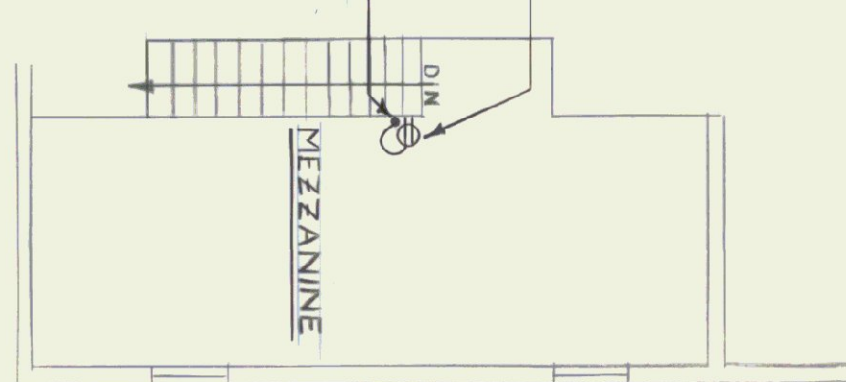
LIGHTING PLAN
SCALE: 1/8" = 1'-0"



POWER & SIGNAL PLAN
SCALE: 1/8" = 1'-0"



PARTIAL PLAN
MEZZANINE LIGHTING
SCALE: 1/8" = 1'-0"



PARTIAL PLAN
MEZZANINE POWER
SCALE: 1/8" = 1'-0"

SPECIAL PURPOSE RECEPTACLE SCHEDULE

MARK	AMPS	VOLTS	PHASE	POLES	WIRES	NEMA-TYPE	REMARKS
A	30	250	1	2	1	6-60R	
B	60	125/250	1	3	4	14-60R	

REMARKS
1. VERIFY EXACT CONFIGURATION WITH OWNER TO SUIT WELDER.
2. PROVIDE MATCHING PLUGS.

LIGHTING FIXTURE SCHEDULE

Type	Manufacturer	Style	Catalog No.	Finish	Diffuser	Mounting	Lamps	Remarks
A	LITHONIA	INDUSTRIAL	AF1029, HD	WHITE	NONE	STEM	2-FHW2/1W/WH/1	
AI	LITHONIA	INDUSTRIAL	AF1029SHO	WHITE	NONE	STEM	2-FHW2/1W/WH/1	
B	LITHONIA	WHD AROUND	AS 200A 120	WHITE	ACRYLIC	CLC-300R	2-FHW2/1W/WH/1	
C	LITHONIA	60-DEG-AST	5407 709/120	BRONZE	GLASS, CLAS	VAL-41/2/120	1-100W HPS	2, 2, 4
D	HUBBELL	GLOBE GUARD	VX-151	ALUM.	GLASS	CLC-300R	1-100W A-21	2, 5
E	HUBBELL	EMERG. LITE	12-LE-2-AV	BEIGE	NONE	WALL	2-9W HLT	
F	HUBBELL	EMERG. LITE	12-LE-2-AV	BEIGE	NONE	WALL	2-9W HLT	
G	HUBBELL	EMERG. LITE	12-LE-2-AV	BEIGE	NONE	WALL	2-9W HLT	
H	HUBBELL	EMERG. LITE	12-LE-2-AV	BEIGE	NONE	WALL	2-9W HLT	
I	HUBBELL	EMERG. LITE	12-LE-2-AV	BEIGE	NONE	WALL	2-9W HLT	
J	HUBBELL	EMERG. LITE	12-LE-2-AV	BEIGE	NONE	WALL	2-9W HLT	
K	HUBBELL	EMERG. LITE	12-LE-2-AV	BEIGE	NONE	WALL	2-9W HLT	
L	HUBBELL	EMERG. LITE	12-LE-2-AV	BEIGE	NONE	WALL	2-9W HLT	
M	HUBBELL	EMERG. LITE	12-LE-2-AV	BEIGE	NONE	WALL	2-9W HLT	
N	HUBBELL	EMERG. LITE	12-LE-2-AV	BEIGE	NONE	WALL	2-9W HLT	
O	HUBBELL	EMERG. LITE	12-LE-2-AV	BEIGE	NONE	WALL	2-9W HLT	
P	HUBBELL	EMERG. LITE	12-LE-2-AV	BEIGE	NONE	WALL	2-9W HLT	
Q	HUBBELL	EMERG. LITE	12-LE-2-AV	BEIGE	NONE	WALL	2-9W HLT	
R	HUBBELL	EMERG. LITE	12-LE-2-AV	BEIGE	NONE	WALL	2-9W HLT	
S	HUBBELL	EMERG. LITE	12-LE-2-AV	BEIGE	NONE	WALL	2-9W HLT	
T	HUBBELL	EMERG. LITE	12-LE-2-AV	BEIGE	NONE	WALL	2-9W HLT	
U	HUBBELL	EMERG. LITE	12-LE-2-AV	BEIGE	NONE	WALL	2-9W HLT	
V	HUBBELL	EMERG. LITE	12-LE-2-AV	BEIGE	NONE	WALL	2-9W HLT	
W	HUBBELL	EMERG. LITE	12-LE-2-AV	BEIGE	NONE	WALL	2-9W HLT	
X	HUBBELL	EMERG. LITE	12-LE-2-AV	BEIGE	NONE	WALL	2-9W HLT	
Y	HUBBELL	EMERG. LITE	12-LE-2-AV	BEIGE	NONE	WALL	2-9W HLT	
Z	HUBBELL	EMERG. LITE	12-LE-2-AV	BEIGE	NONE	WALL	2-9W HLT	

PANEL SCHEDULE

Branch Circuits	Breakers	Pole Amp.	Ph.	Conn. Load Kw.	Hp.	Equipment	Cond. Wire
* 7-9	1	20		8.8		LIGHTING AND RECEPTACLES	1/2 2#12
10	1	20		1.4		WATER HEATER	1/2 2#12
11	1	20		0.8		PADBLE FANS	
12, 13	1	20				SPACES	
14, 15	1	20				SPACES	
16	1	20				EXHAUST FAN	
17, 18	2	20		20 1/2		WF-2, WOOD FURNACE	1/2 3#12
19	2	60		5		AIR COMPRESSOR	2#8 2#10
20	2	50		6.0		WELDING OUTLET	3#4 3#6
21	2					SPACE	
22	2	60		14.5		PANEL EP	3#4 1#10
23, 24	1					SPACES	

* CIRCUIT BREAKERS 4-7-73 TO BE 60A GECITYPE PER NEC-91

PANEL SCHEDULE

Branch Circuits	Breakers	Pole Amp.	Ph.	Conn. Load Kw.	Hp.	Equipment	Cond. Wire
* 1, 2	1	20		1.8		LIGHTING AND RECEPTACLES	1/2 2#12
3, 4	1	40		6 1/2		OVERHEAD DOOR OPERATORS	1/2 2#12
5, 6	1	20		0.4		FUEL PUMP, TELEPHONE	1/2 2#12
* 7	2	80		0.2		GAS PUMP LIGHTING	1/2 2#12
8	1	20		1/2		DOSING CHAMBER	3/4 2#10
9	1	20		1.0		EXT. AND SHED LIGHTING	3/4 2#10
10, 12	1	20				SPACES	
13	2	20		1/2		WELL PUMP	3/4 3#10
14	1	20		3/4, 1/2		OIL FURNACE	1/2 3#12
15, 17	1	20				SPACES	

* CIRCUIT BREAKER # 2 TO BE 60A GECITYPE PER NEC-91
* CIRCUIT BREAKER # 7 TO BE NEUTRAL DISCONNECT TYPE PER NEC-91;
EQUIP WITH 500VPA PADLOCK MOUNTING.

Engineering Division
DORRIS & KING INC.

MECHANICAL & ELECTRICAL CONSULTING ENGINEERS

STATE OF VERMONT
CHIEF ENGINEER
No. 4100

DATE: 4/90
DRAWN BY: AS SHOWN
APPROVED BY: [Signature]

REVISIONS:
1. [Signature] 4/10/90
2. [Signature] 4/10/90

DWG. NO. E-2
22 OF 22

STATE OF VERMONT
DEPARTMENT OF STATE BUILDINGS
AGENCY OF ADMINISTRATION
VERMONT
MONTPELIER.

ELECTRICAL PLAN
6 BAY MAINTENANCE GARAGE
AGENCY OF TRANSPORTATION
EAST DORSET, VERMONT