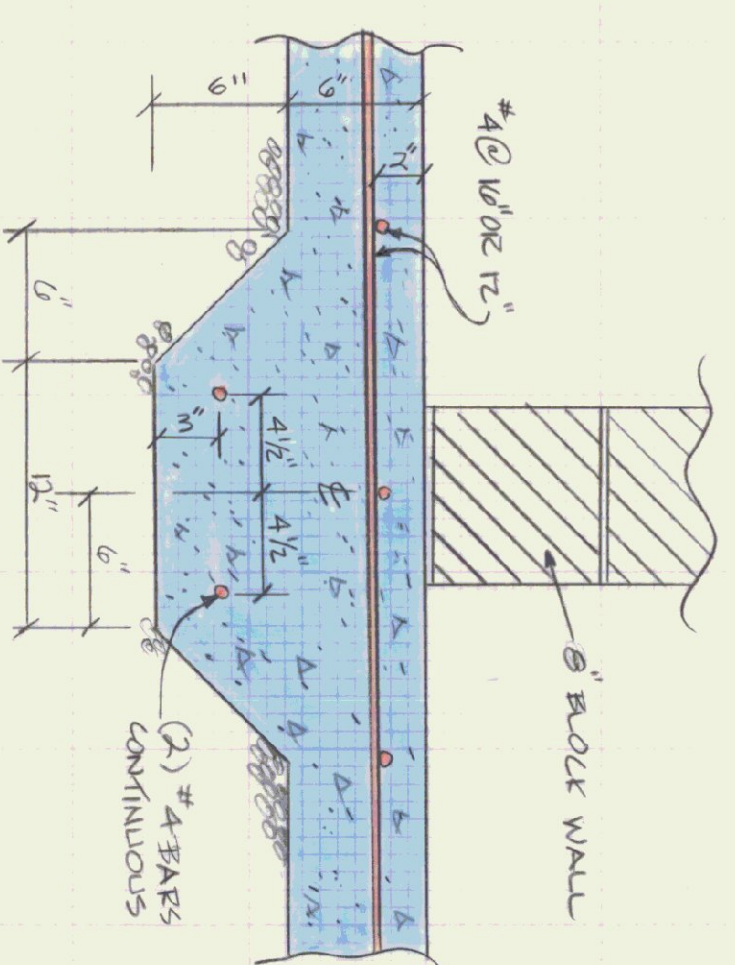


ROOF FRAMING PLAN
SCALE: 1/8" = 1'-0"



1 SWAB FOOTING AT BRICK WALL DETAIL
SCALE: 1/2" = 1'-0"

LOADING NOTES

- 1) SNOW LOAD = 50#/SF REDUCED FOR FLAT ROOF
- 2) DEAD LOAD = 20#/SF FOR ROOF
- 3) WIND LOAD = 20#/SF
- 4) MEZZANINE = 100#/SF FLOOR

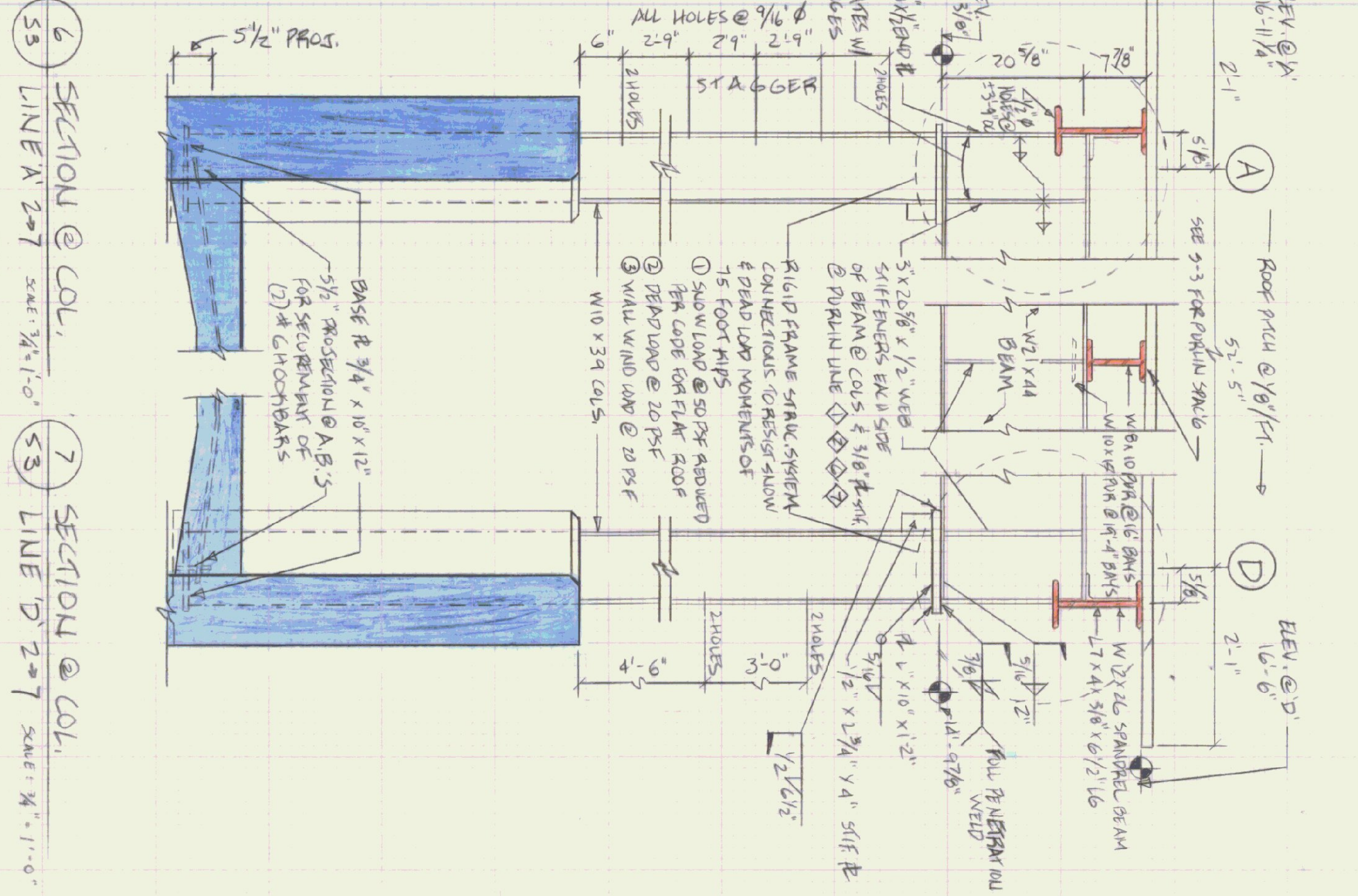
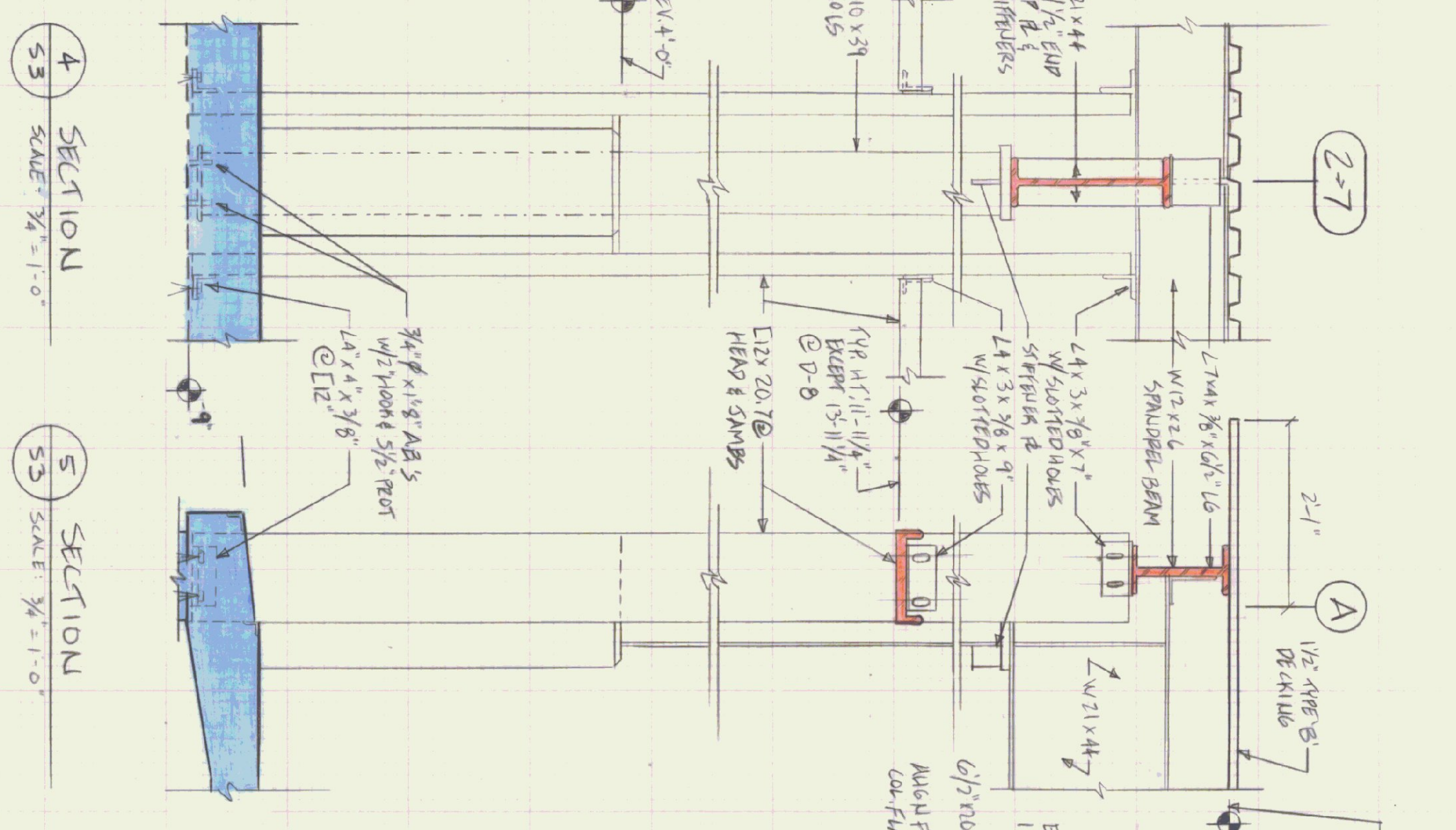
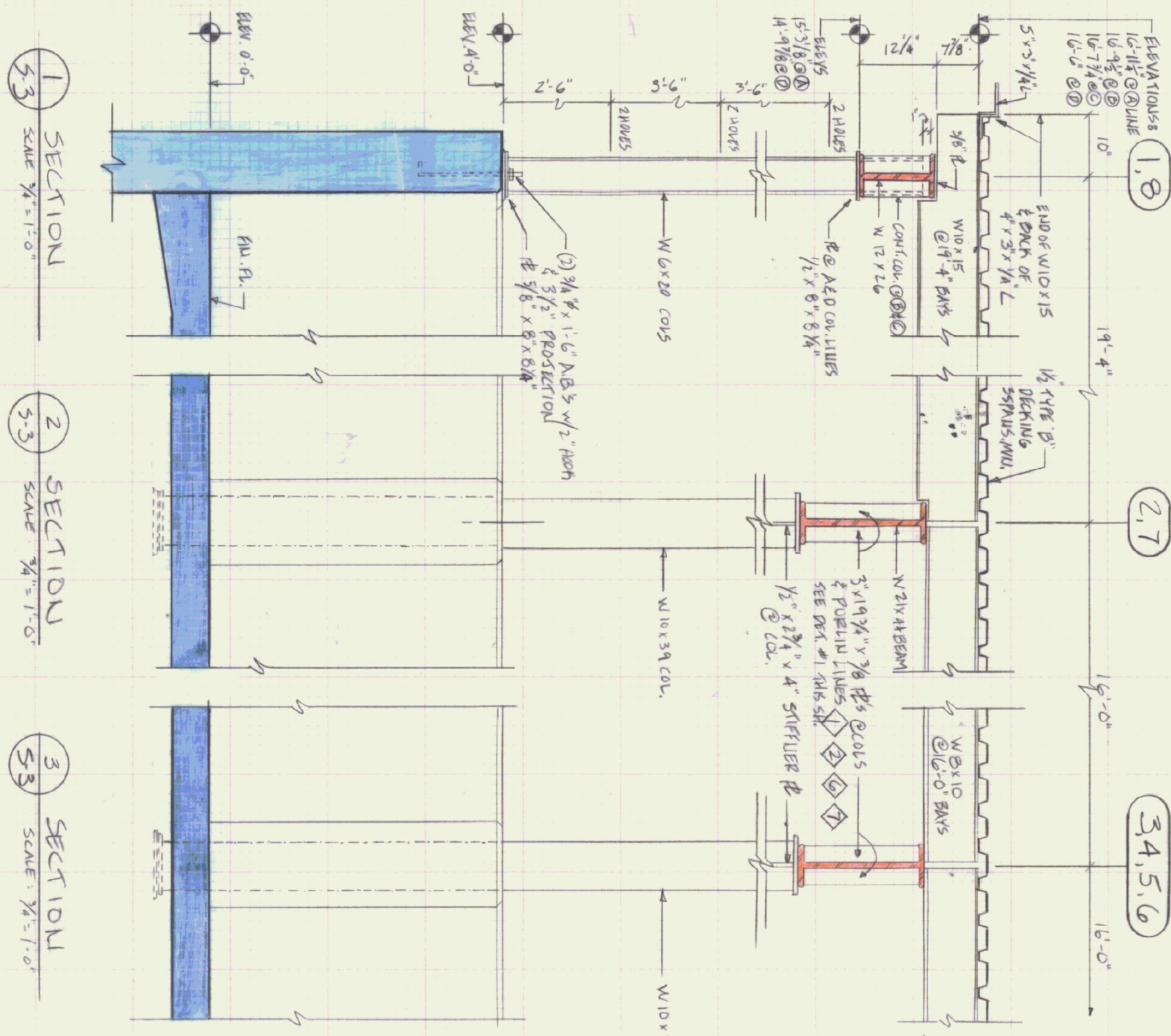
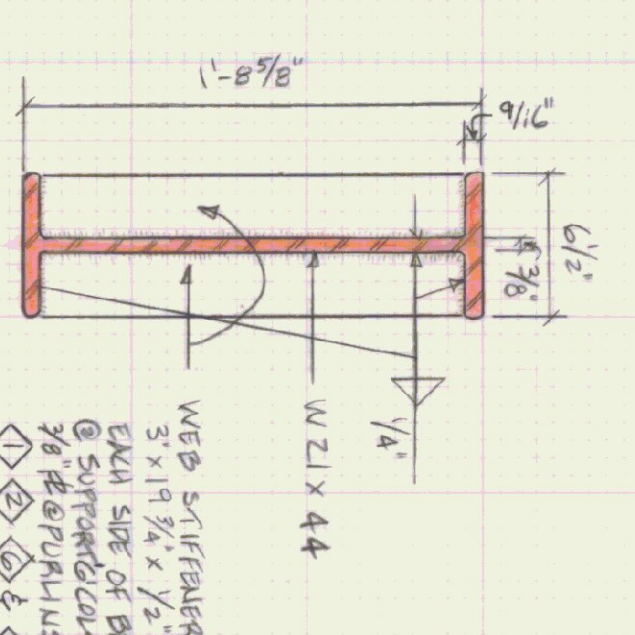
BASE PLATE NOTES

- @ COL. LINES #1 & 8 BOT. OF BASE PLATE 4'-0" @ - 6 1/4"
- #2, 3, 4, 5, 6, 7 @ - 6 1/4"

MISC. NOTES

- CHANNELS FOR GARAGE DOORS (6 DOORS TOTAL) ARE NOT SHOWN ON FRAMING PLAN. SEE A-5, A-6, & S-3.

1 DETAIL - WEB STIFFENERS
SCALE: 1/2" = 1'-0"



STATE OF VERMONT DEPARTMENT OF STATE BUILDINGS AGENCY OF ADMINISTRATION MONTPELIER, VERMONT			
STRUCTURAL STEEL FRAMING @ ROOF & STEEL SECTIONS & BAY MAINTENANCE GARAGE			
DATE: APRIL 1990	SCALE: AS NOTED	REVISIONS:	DWG. NO. S-3
DRAWN BY: T. MCCUE	APPROVED BY: T. FRATT		18 OF 22