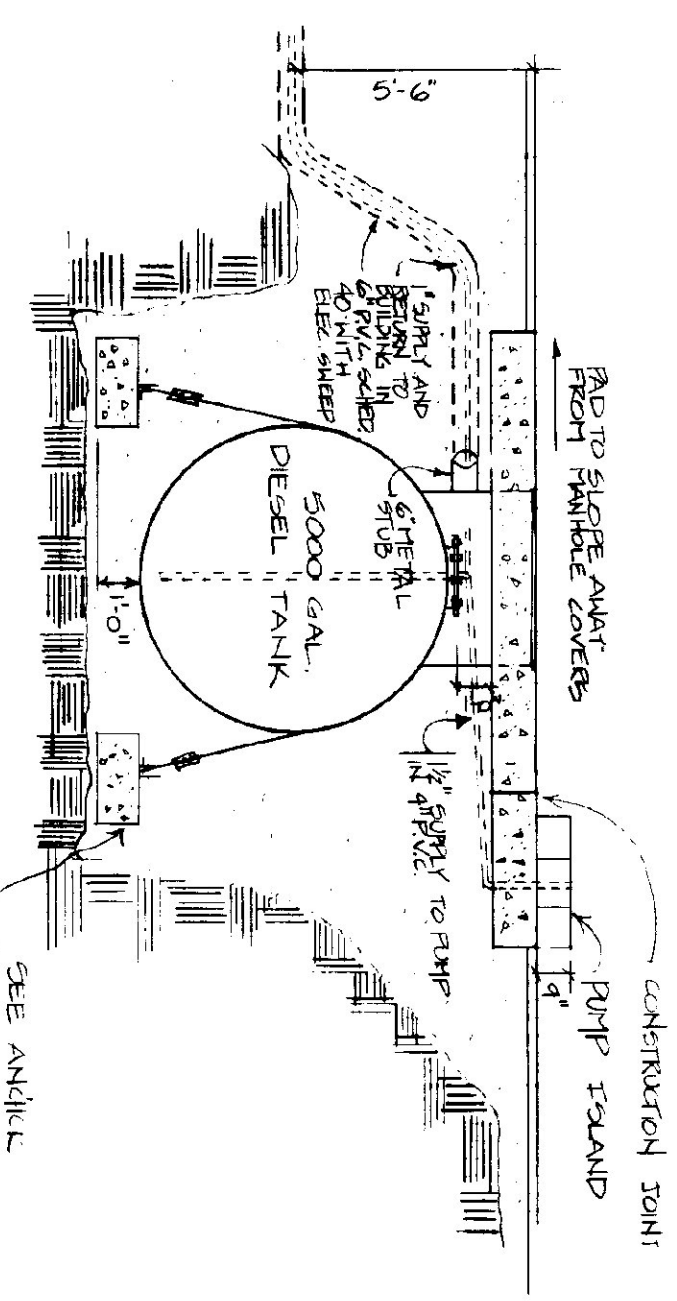
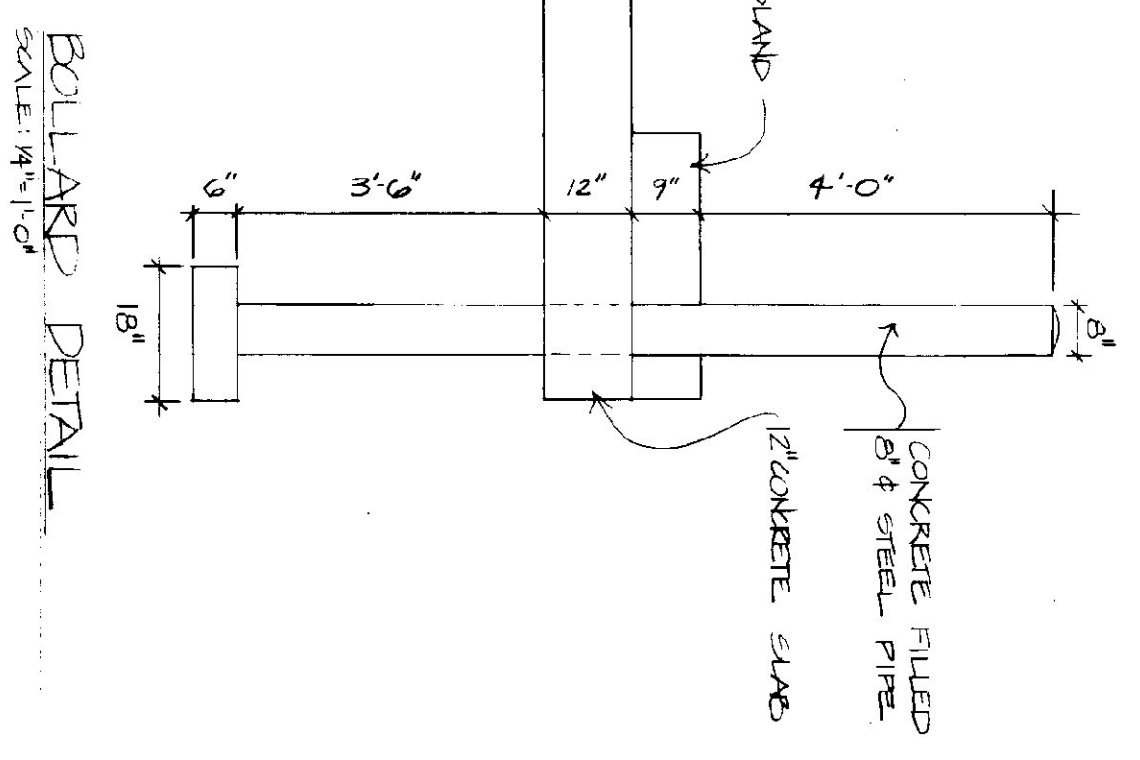


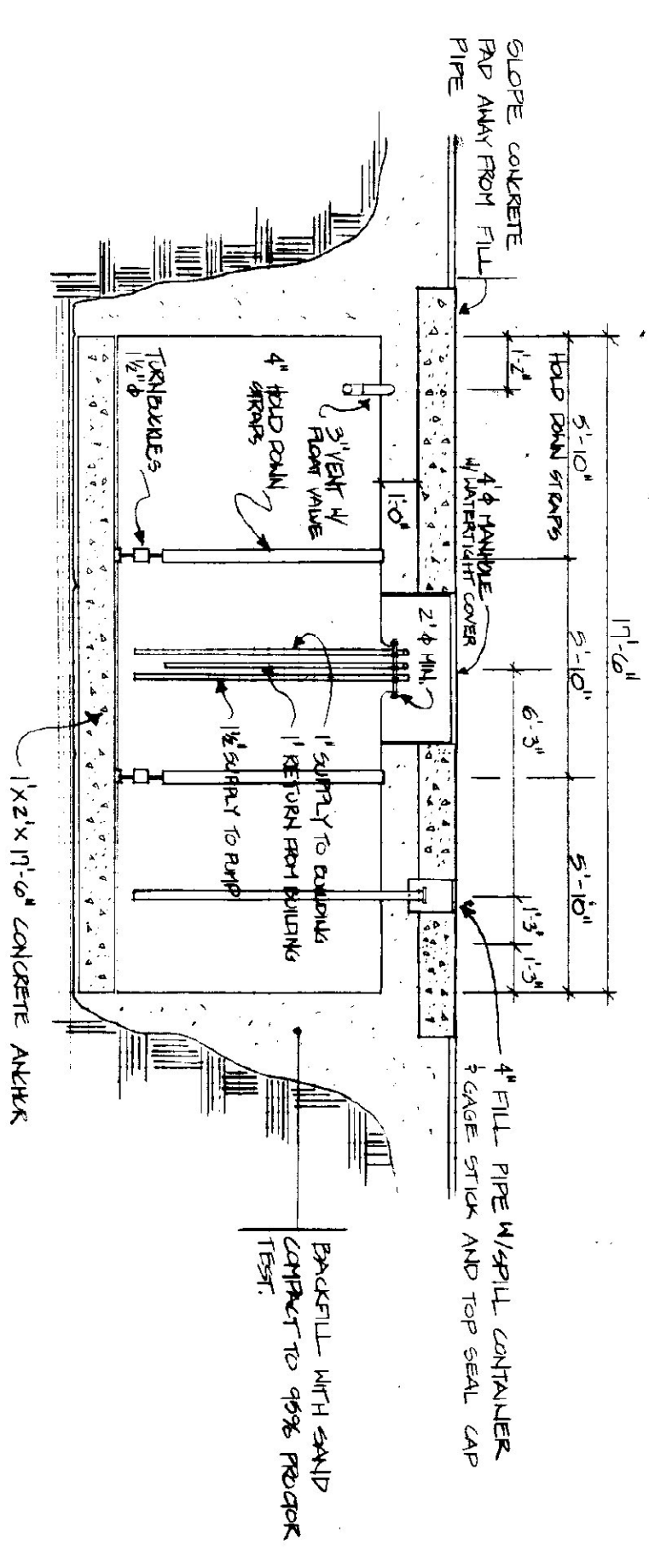
SLAB PLAN
SCALE: 1/4"=1'-0"



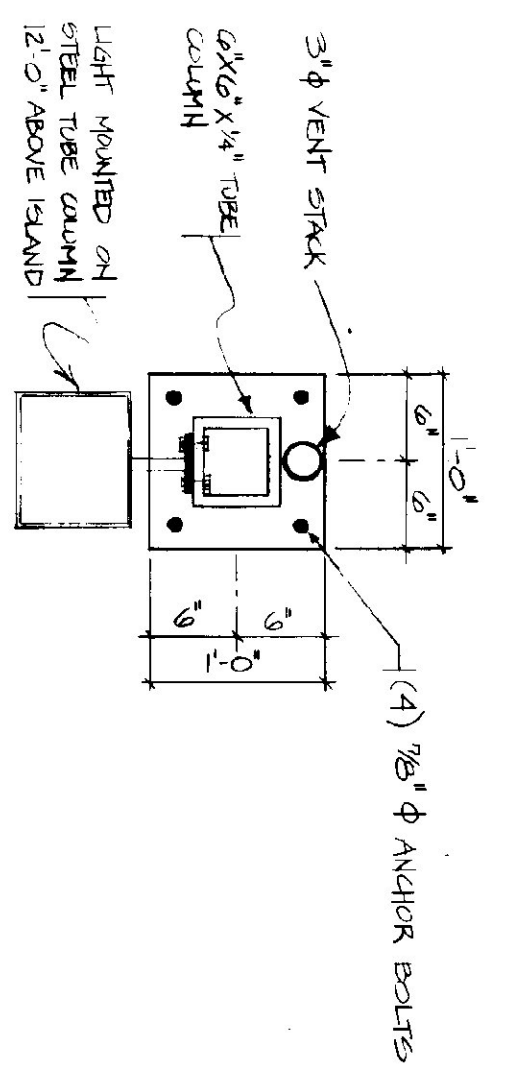
SECTION 1
SCALE: 1/4"=1'-0"



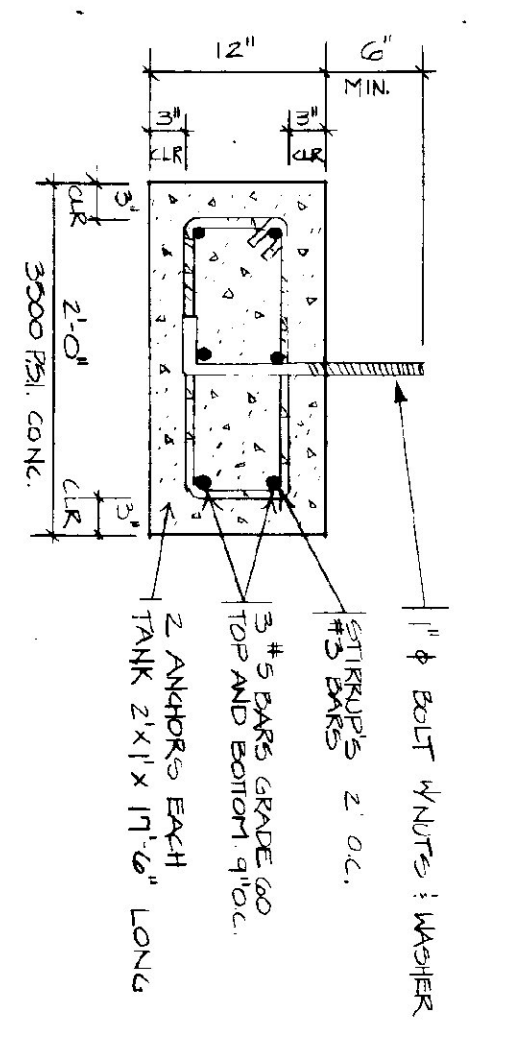
BOLLARD DETAIL
SCALE: 1/4"=1'-0"



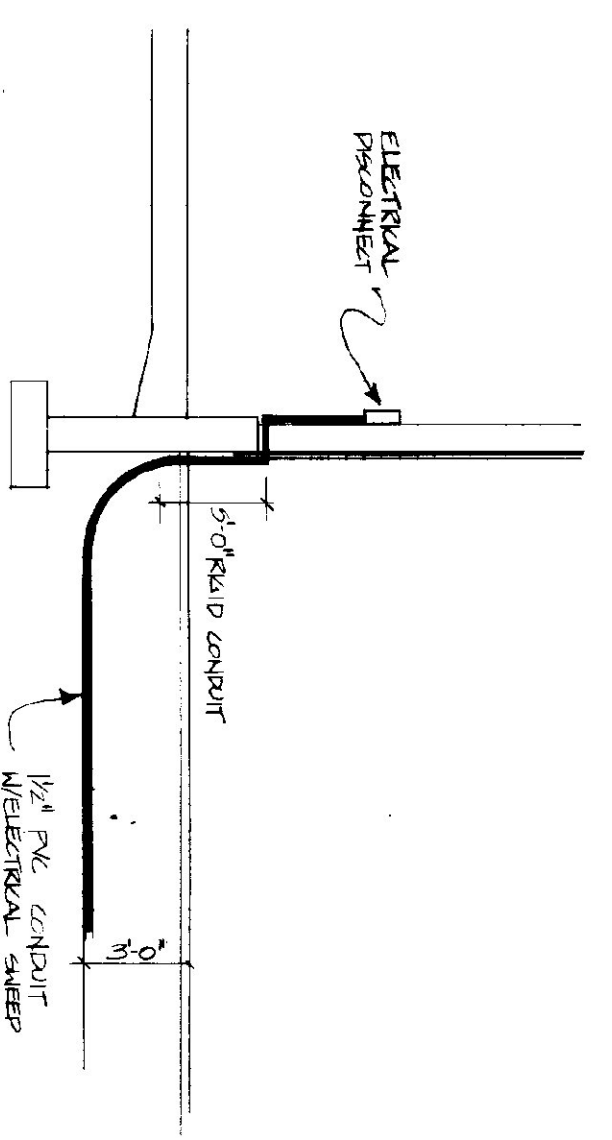
SECTION 2
SCALE: 1/4"=1'-0"



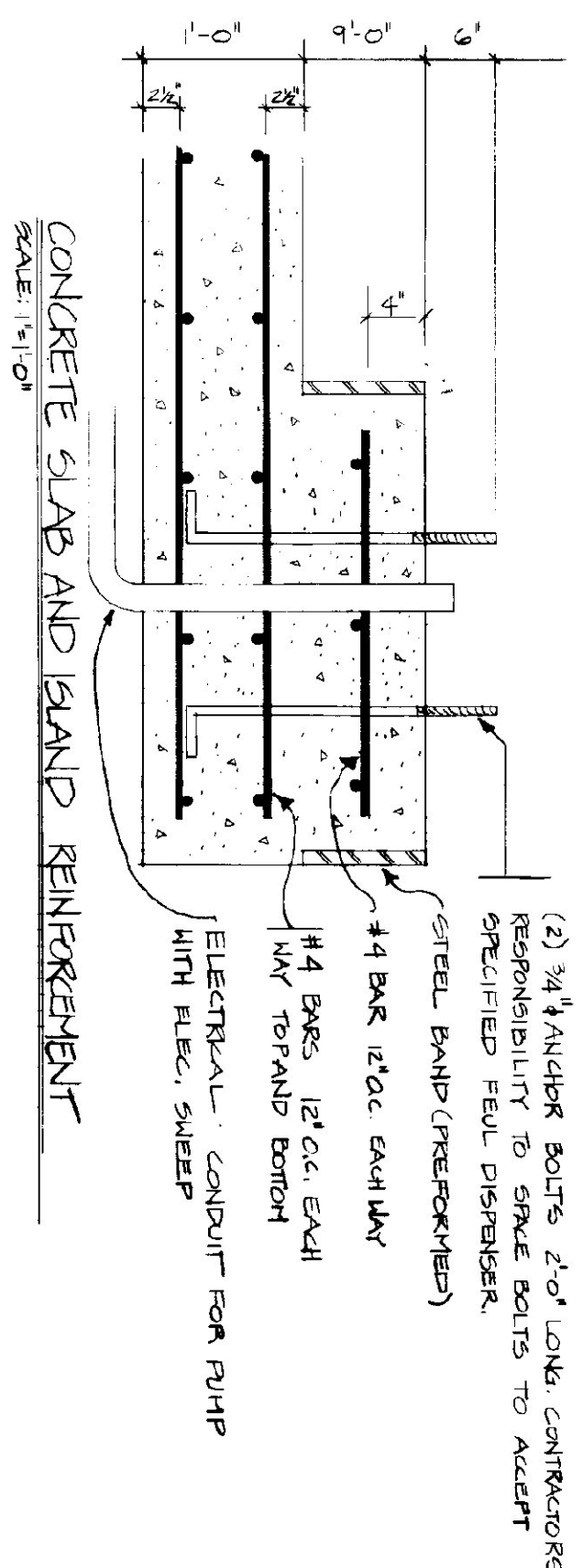
VENT COLUMN DETAIL
SCALE: 1/4"=1'-0"



ANCHOR DETAIL
SCALE: 1/4"=1'-0"



ELECTRICAL TO LIGHT AND PUMP
N.T.S.



CONCRETE SLAB AND ISLAND REINFORCEMENT
SCALE: 1/4"=1'-0"

SLAB NOTES

1. ALL CONCRETE SHALL BE NORMAL WEIGHT MIXING CLASS B CONCRETE PER STATE OF VERMONT AGENCY OF TRANSPORTATION STANDARD SPECIFICATION FOR CONSTRUCTION.
2. REINFORCING STEEL SHALL COMPLY WITH ASTM A615, GRADE 60.
3. ANCHOR BOLTS TO BE GRADE A307.
4. SLOPE CONCRETE AWAY FROM ALL HATCHES AND FILL PORTS.

PUMP AND TANK NOTES

1. PROVIDE 1 GAS BOY SERIES 50,55A RELIEF HANGERS; CONNECT TO 5000 GAL. DIESEL TANK.
2. DIESEL TANK TO BE UNDERGROUND STIFF SYSTEM DOUBLE WALL TANK 10A MINIMUM, 10 ON OVERALL.
3. CONTAINMENT WALLS: 1. FILL PIPE TO HAVE WATER TIGHT SEAL.
4. PUMP TO HAVE DIESEL FILTER, 1/2" CHECK VALVE, 12" HOSE, MANUAL NOZZLE AND PETER IN U.S. GALLONS.
5. ALL INSTALLATIONS ARE TO CONFORM TO STATE OF VERMONT UNDERGROUND STORAGE TANK REGULATIONS, MARCH 1, 1991.

STATE OF VERMONT DEPARTMENT OF STATE BUILDINGS AGENCY OF ADMINISTRATION MONTPELIER, VERMONT	
VERMONT AGENCY OF TRANSPORTATION 6 BAY GARAGE DISTRICT 1, EAST DORSET, VERMONT	
FUEL TANK	
DATE: APRIL 18, 1990	SCALE: AS SHOWN
DRAWN BY: K. HENDERSON	APPROVED BY: F. RATTI
REV. NO. 5	DWG. NO. SD-4
OF 24	