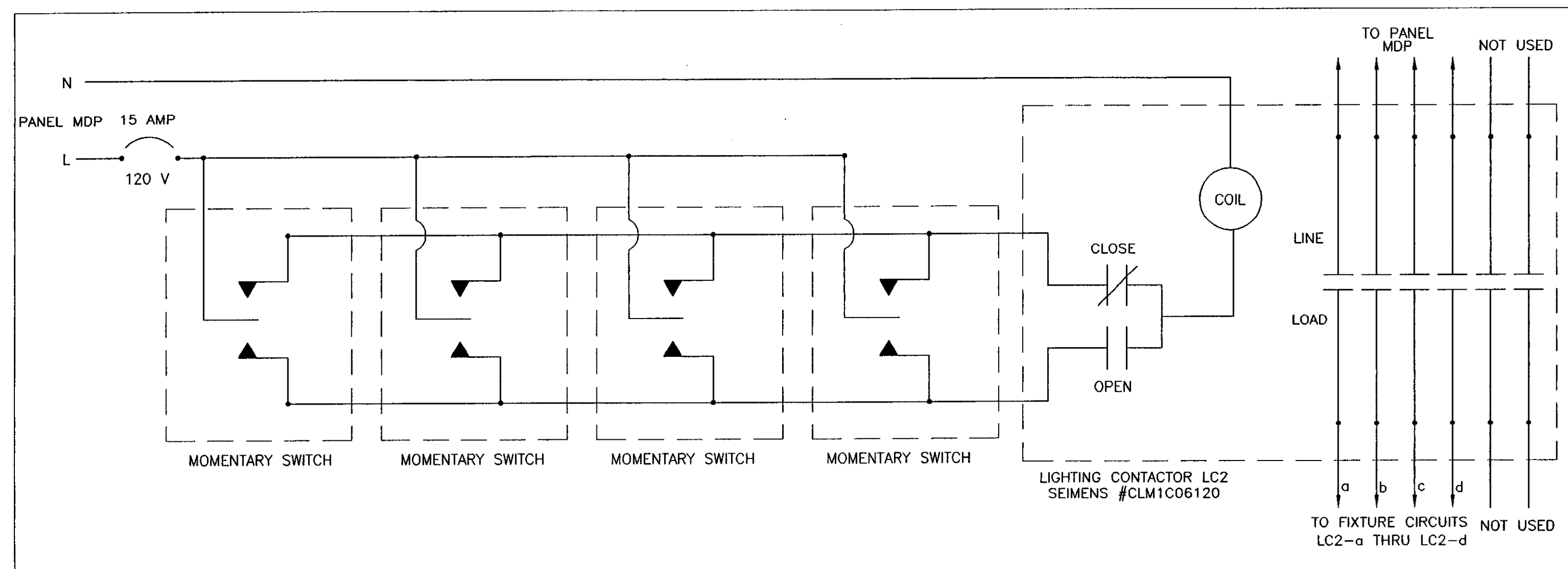
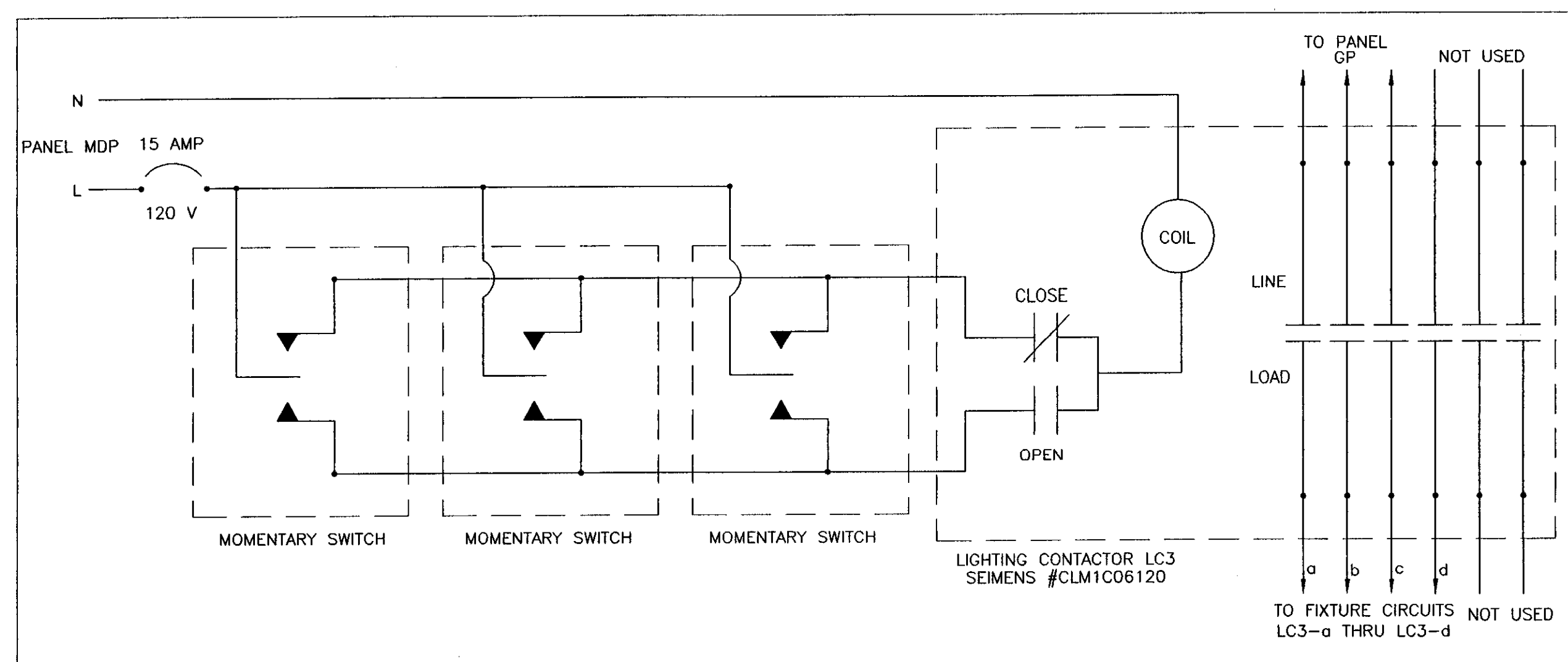


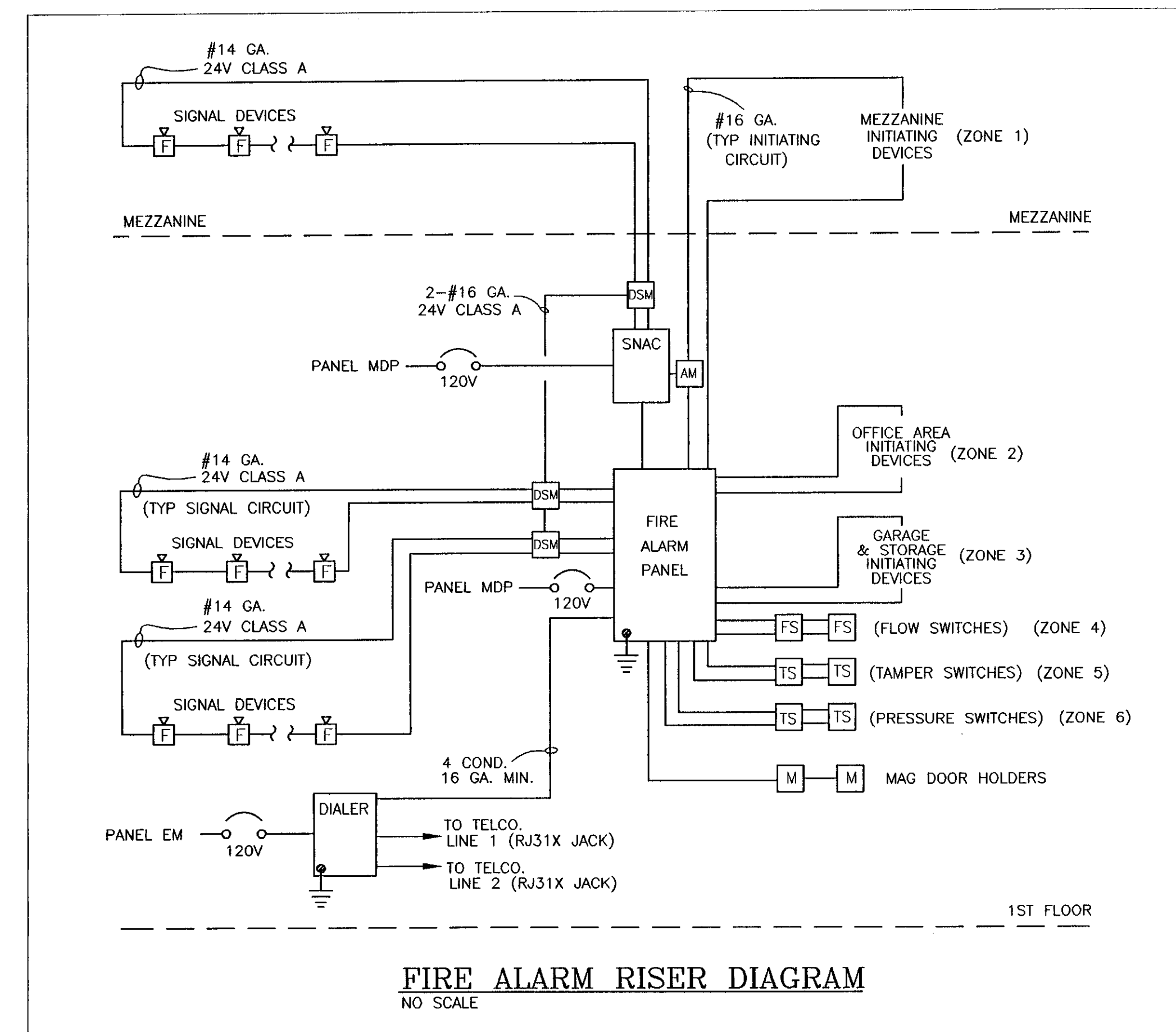
LIGHTING CONTACTOR WIRING DETAIL-LC1
NO SCALE



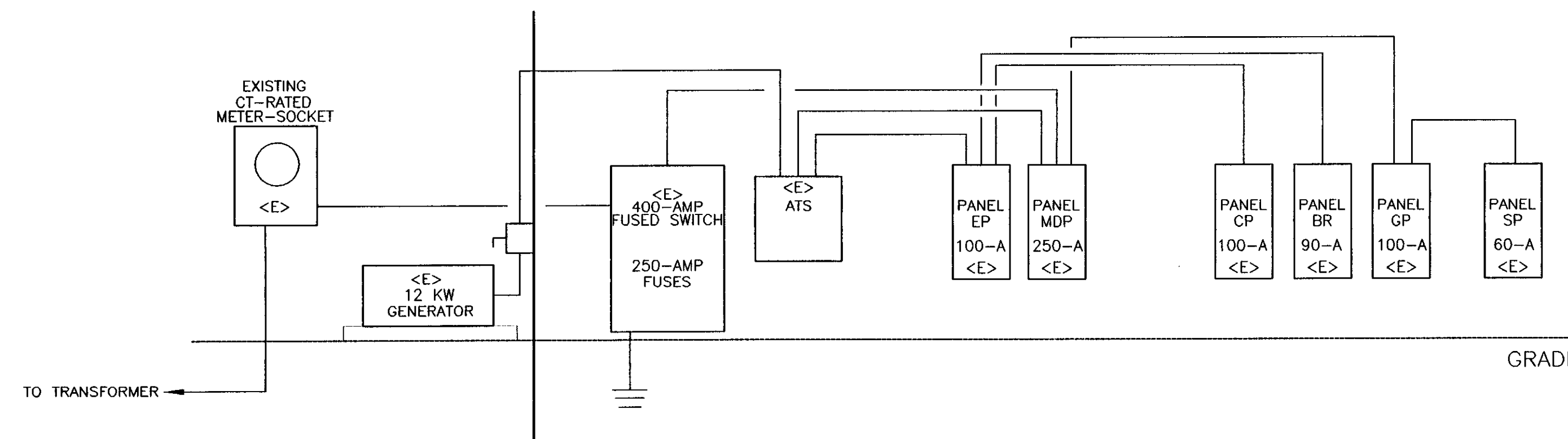
LIGHTING CONTACTOR WIRING DETAIL-LC2
NO SCALE



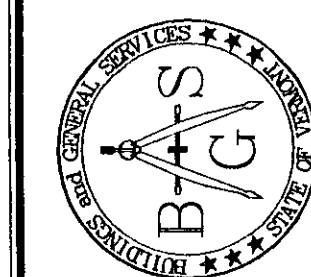
LIGHTING CONTACTOR WIRING DETAIL-LC3
NO SCALE



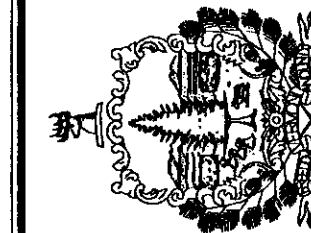
FIRE ALARM RISER DIAGRAM
NO SCALE



EXISTING POWER ONE-LINE DIAGRAM
NO SCALE



STATE OF VERMONT
Department of Buildings
and General Services
Agency of Administration
Montpelier, Vermont



Pearson & Associates
MECHANICAL & ELECTRICAL ENGINEERS
P.O. BOX 610 STOWE, VERMONT 05672
TEL. (802) 253-9807 FAX. (802) 253-9290
EMAIL: pearson@stowe.vt.net



AGENCY OF TRANSPORTATION
**BENNINGTON MAINTENANCE
GARAGE & OFFICE RENOVATIONS**
VERMONT

REVISIONS
SCALE: AS SHOWN
DATE: JAN. 2004
DRAWN BY: ASG
APPR. BY: EEP

AGENCY OF TRANSPORTATION
GARAGE & OFFICES
DETAILS & SCHEDULES

