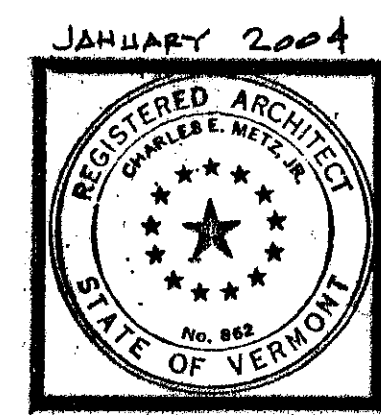
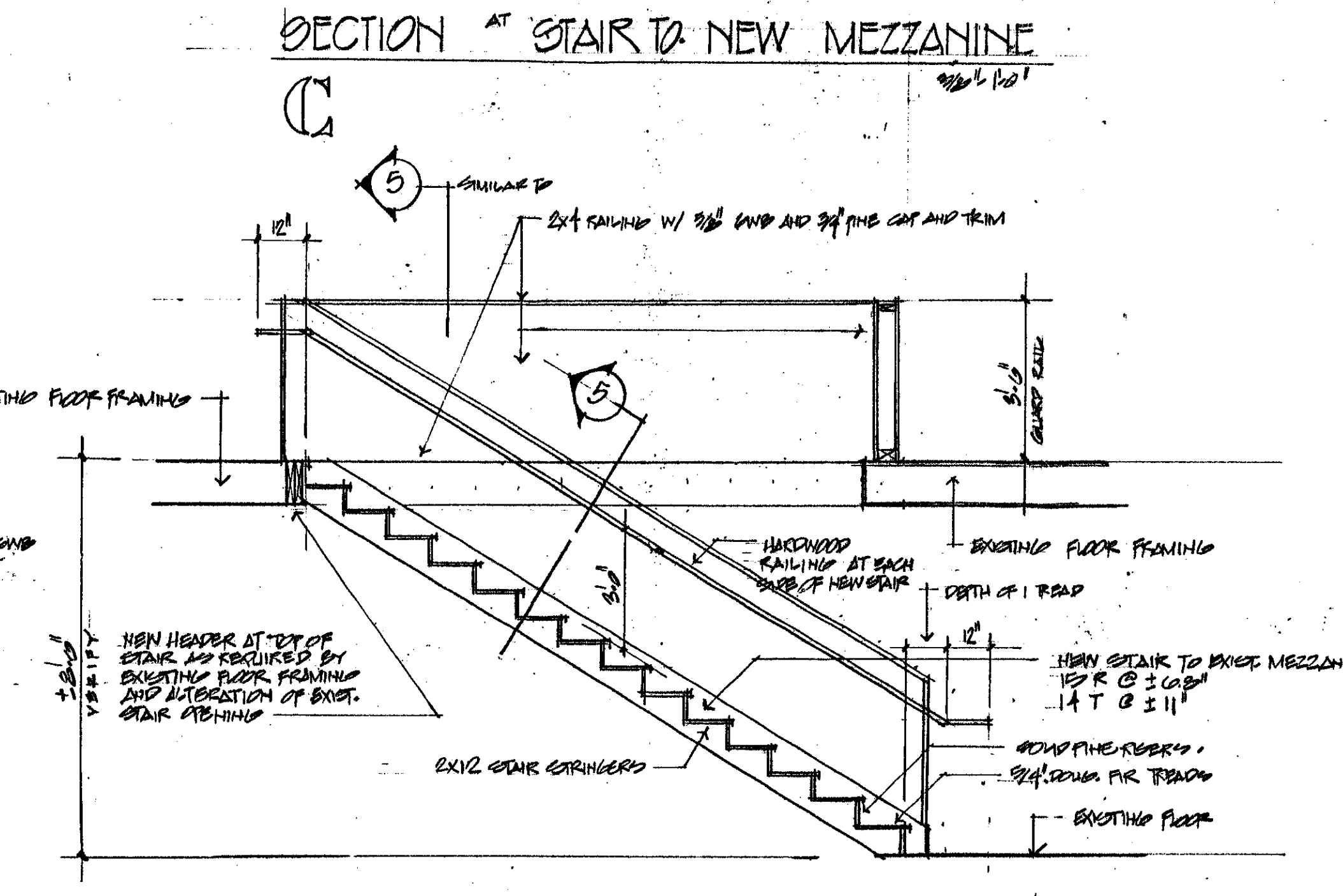
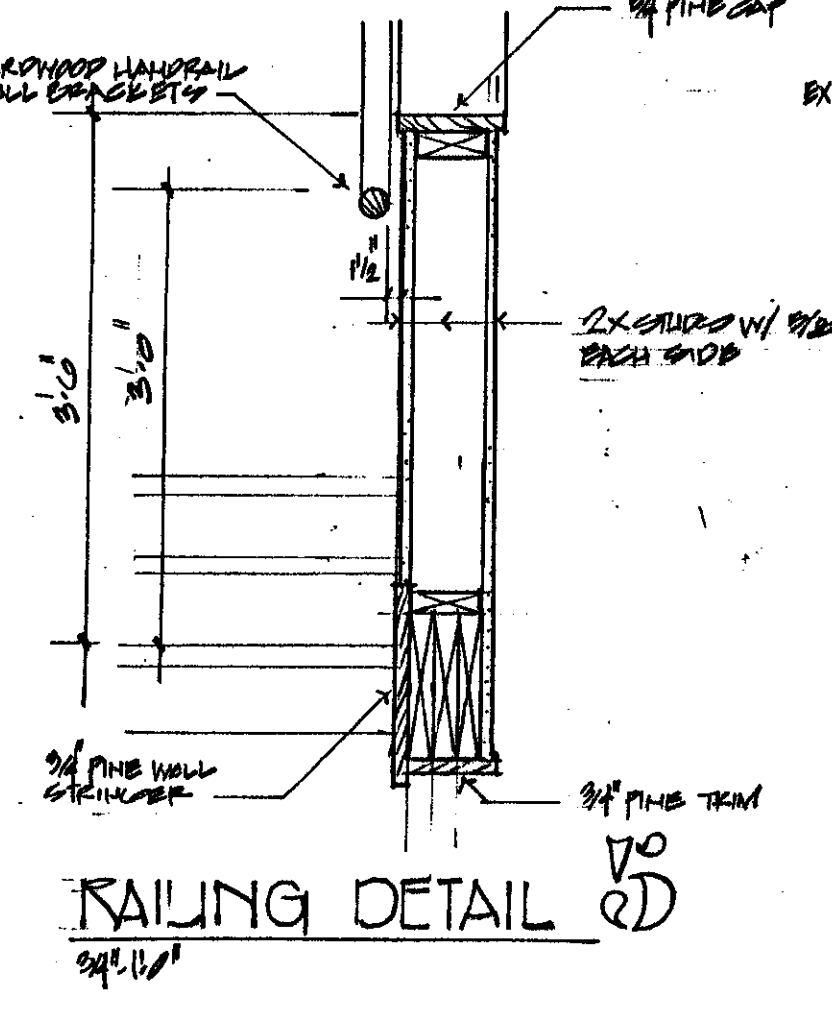
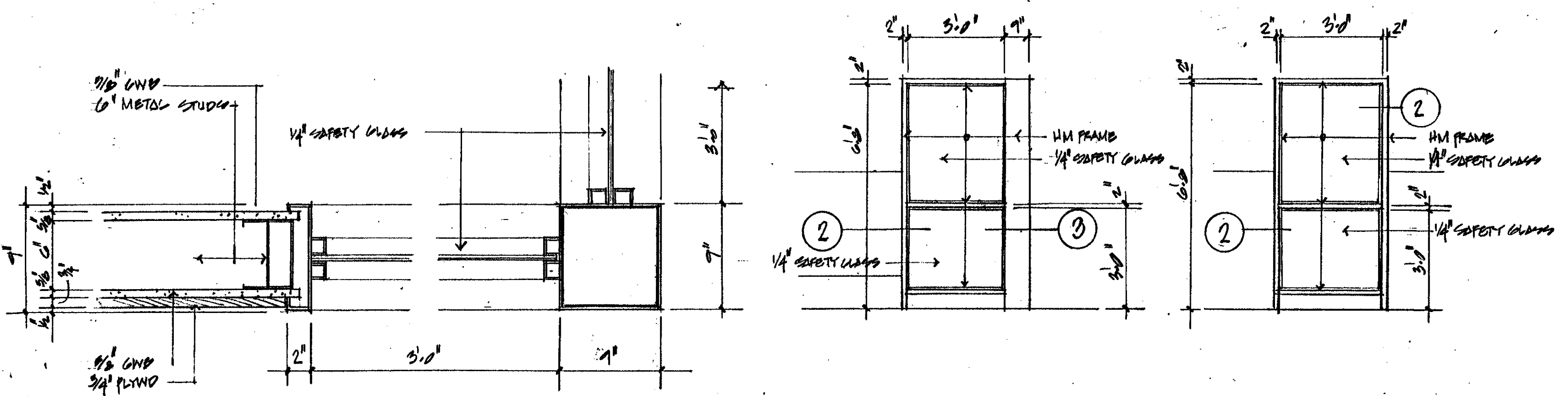


**WALL TYPES**  
 NOTE:  
 ALL WALLS CONSTRUCTED TO UNDERPINNED AT FOOT LEVEL



JANUARY 2004  
**PROJECT:**  
 RENOVATIONS, DENNINGTON AOT  
 DISTRICT OFFICE, DENNINGTON VT.  
**TITLE:**  
 SECTION A  
 DETAILS

**CHARLES E. METZ**  
 ARCHITECT  
 THE GRIST MILL  
 BRADFORD VT 05033

**DRAWING:**  
 AED

GLASS AND HOLLOW METAL FRAMES-DETAILS AND ELEVATIONS