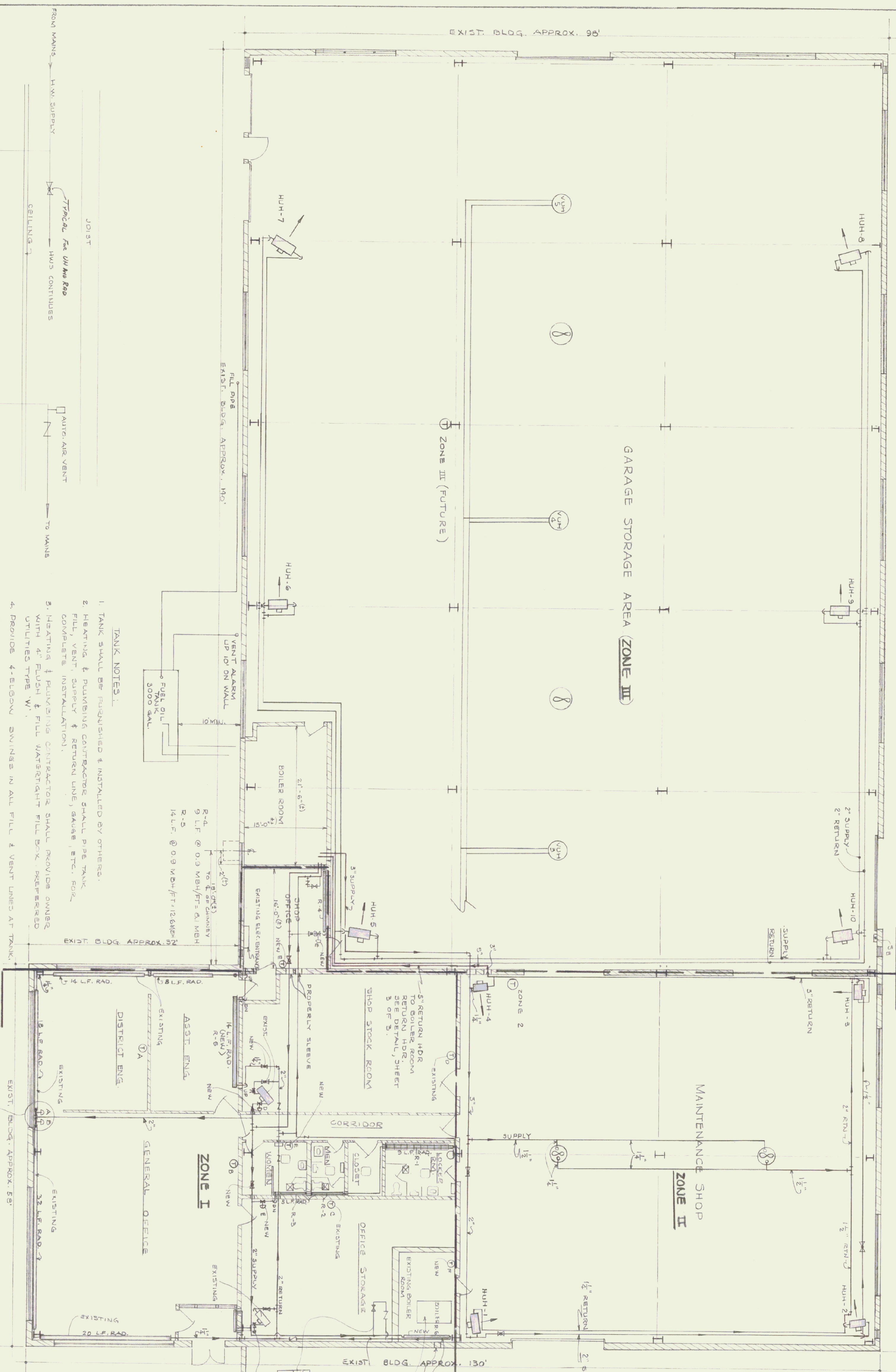


EXISTING BLDG. APPROX. 190'

EXISTING BLDG. APPROX. 130'



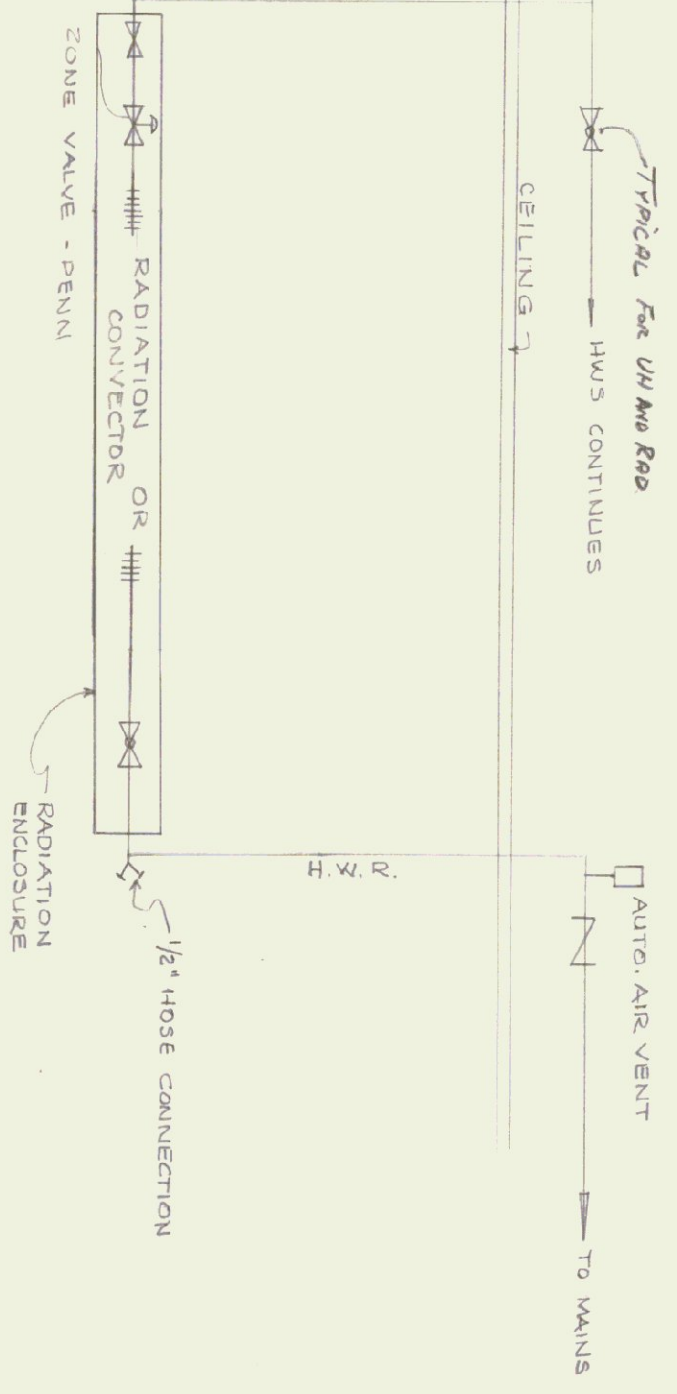
**TANK NOTES:**

1. TANK SHALL BE FINISHED & INSTALLED BY OTHERS.
2. HEATING & PUMPING CONTRACTORS SHALL PIPE TANK, FILL, VENT, SUPPLY & RETURN LINE, GAUGE, STR. BOX, CONDUITS INSTALLATION.
3. HEATING & PUMPING CONTRACTOR SHALL PROVIDE OWNER WITH 4" FLUSH & FILL WATER-TIGHT FILL BOX, PREFERRED ULTRITE TYPE "W".
4. PROVIDE 4-ELBOW SWINGS IN ALL FILL & VENT LINES AT TANK.
5. PROVIDE CONTINUOUS COPPER LINES RUN IN 2-2" PVC FOR FUEL OIL SUPPLY & RETURN.
6. GAUGE CAPILLARY TO RUN IN PVC BETWEEN TANK & BUILDING - ALSO WITHIN BUILDING TO GAUGE. CAPILLARY TO BE FULLY PROTECTED FROM PHYSICAL ABUSE.

**DETAIL**

**TYPICAL BASEBOARD RADIATION**

VENT TO BE PROVIDED AT EACH HIGH POINT  
N. T. S.  
NOTE: Provide balancing valves in main line supply line after each three-ft. for unit at rad. (typical)



**PLAN VIEW**

SCALE 1/8" = 1 FT.

PROVIDE TWO (2) NEW ZONE VALVES - PENN. TO REPLACE EXISTING

EXIST. BLDG. APPROX. 130'

**ZONE I**

**ZONE II**

R-2 5 L.F. @ .900 MBH/FT. = 4.5 MBH  
R-3 5 L.F. @ .900 MBH/FT. = 4.5 MBH  
1/2" END OF MAIN BY-PASS TO THE EXISTING MAINS IN THIS AREA.

R-6 6 L.F. @ 0.9 MBH/FT. = 7.2 MBH  
EXISTING OPENING TO BE BLOCKED UP. EXISTING BOILER, ETC., TO BE REMOVED. HOLES THRU WALLS TO BE PATCHED TO MATCH

SIGNED *G. M. Walsh* DATE 7/1/76  
MAINTENANCE ENGINEER  
STATE HIGHWAY DEPARTMENT  
AGENCY OF TRANSPORTATION

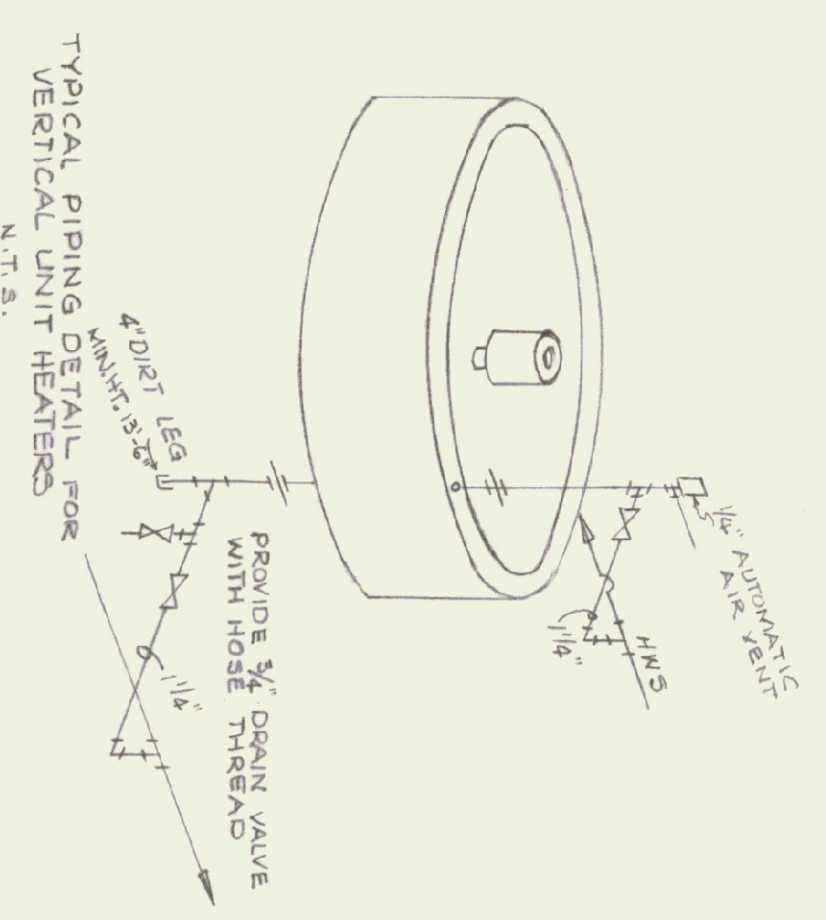
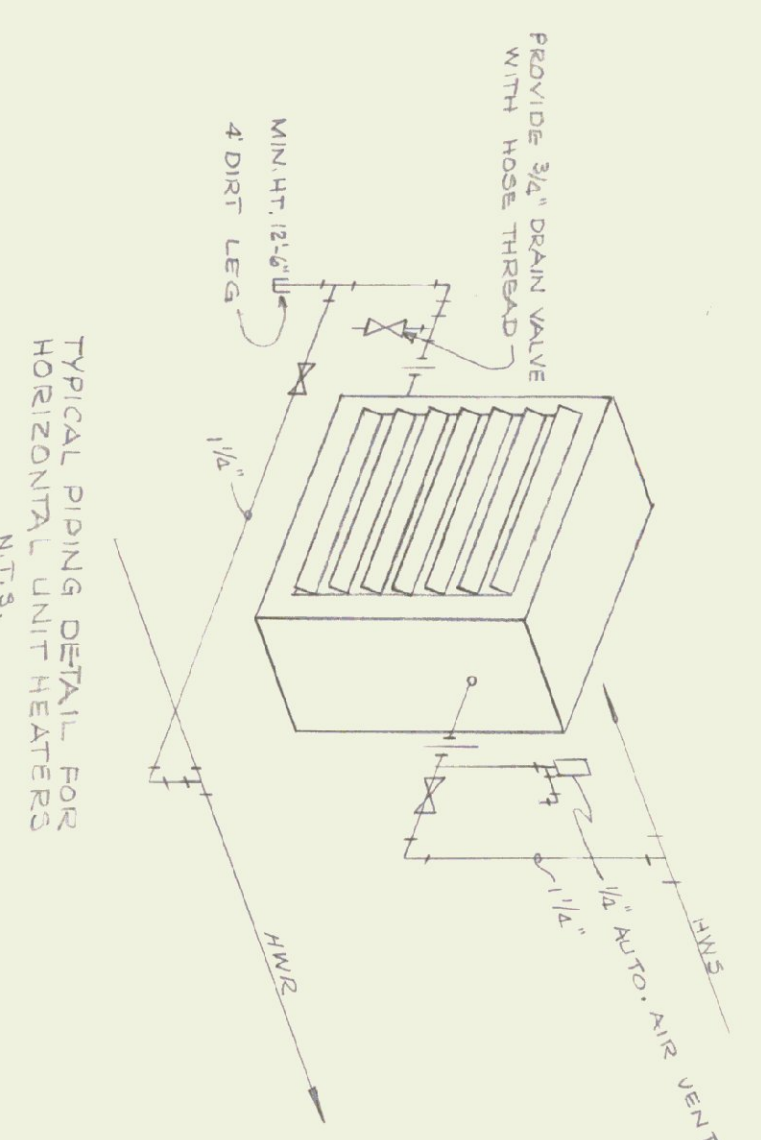
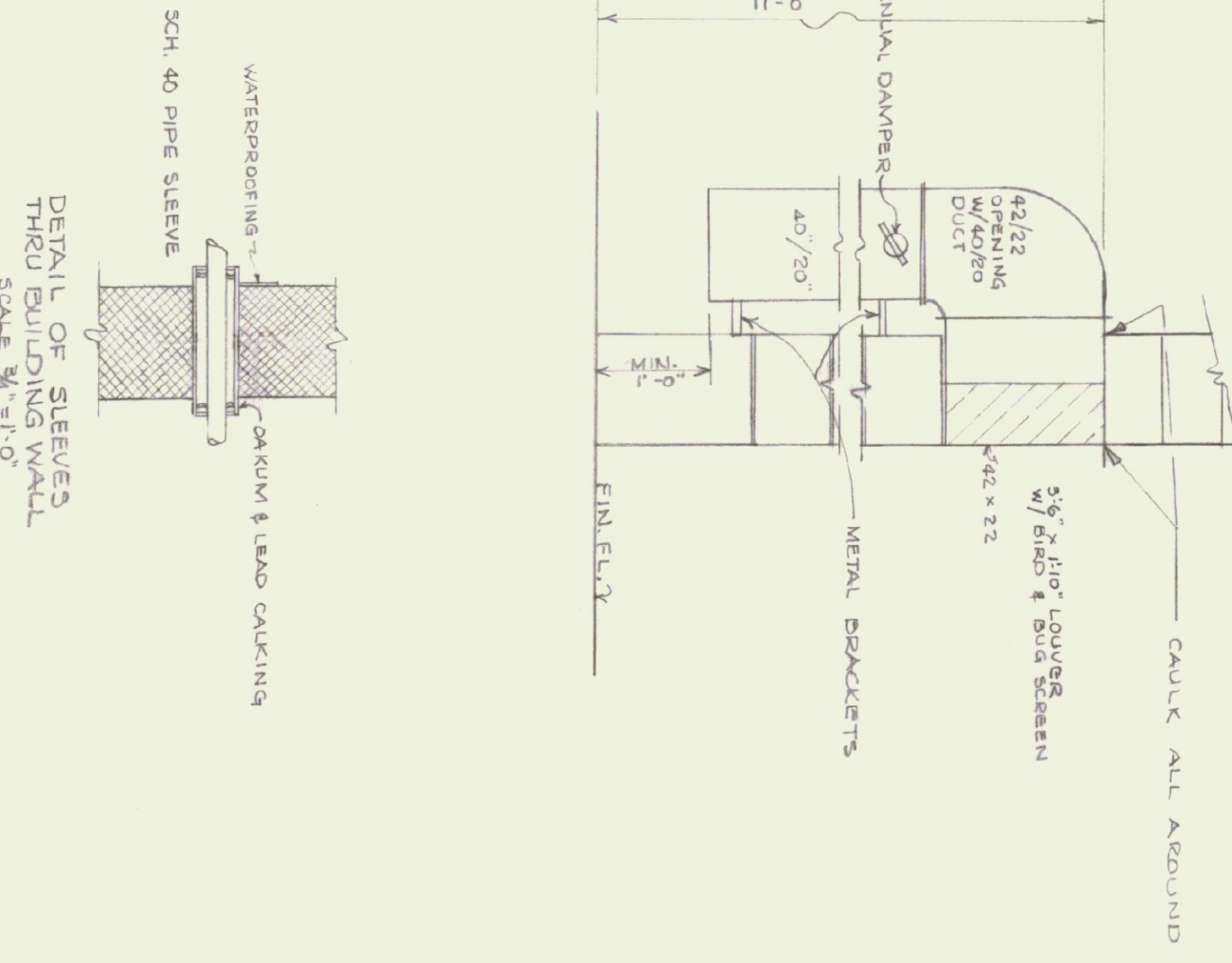
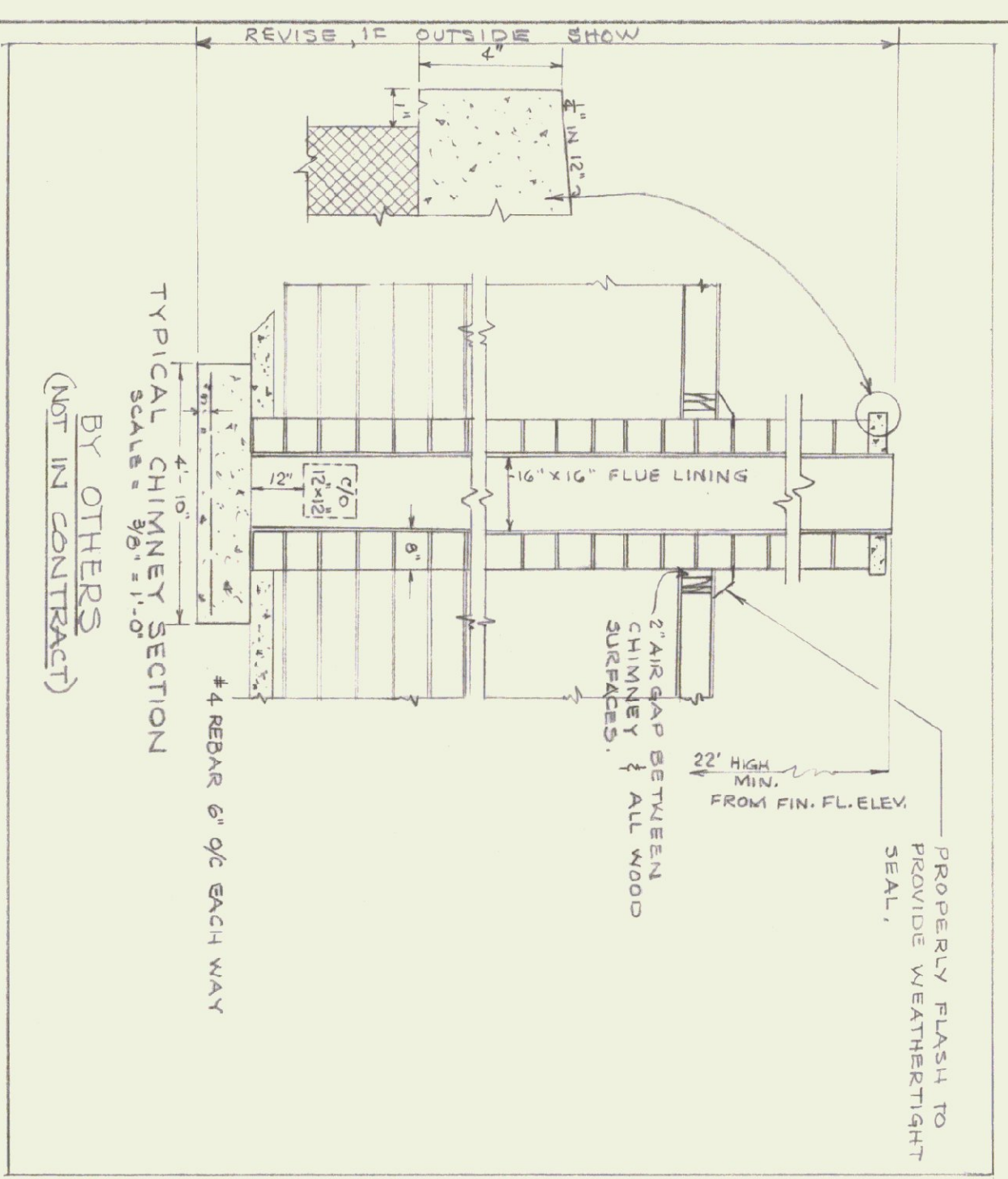
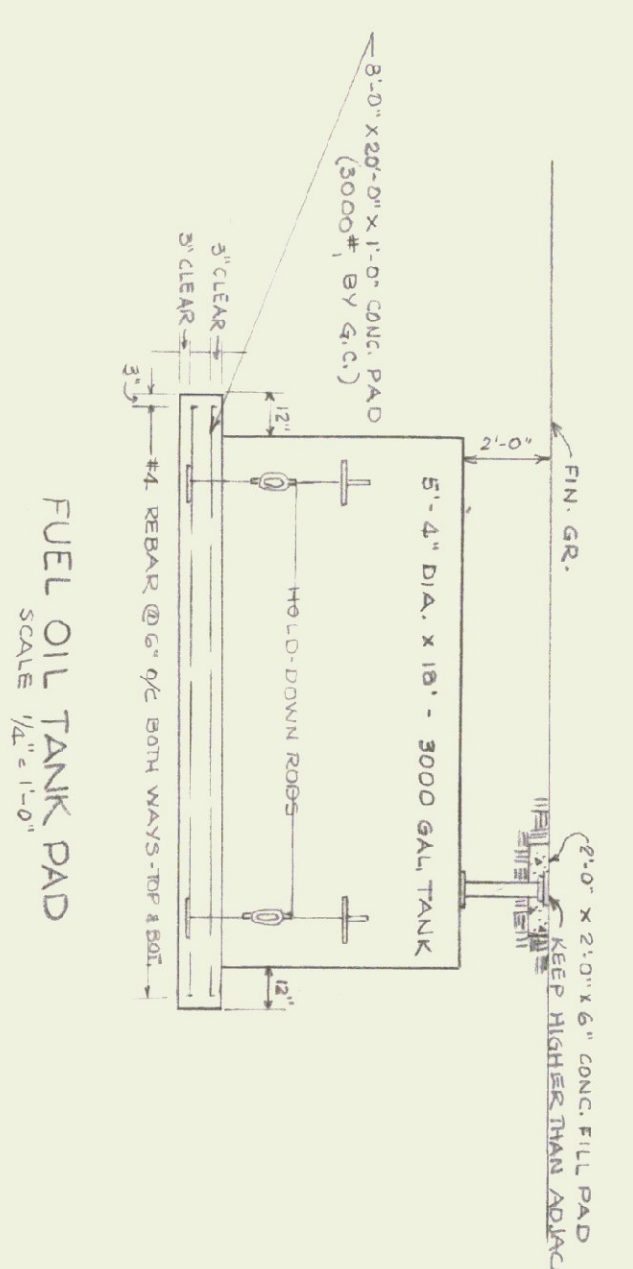
INITIAL	DATE	REVISION

STATE OF VERMONT  
STATE BUILDINGS DIVISION  
DEPARTMENT OF ADMINISTRATION  
MONTPELIER, VERMONT

HEATING SYSTEM RENOVATIONS  
GARAGE AND OFFICE BUILDING  
VERMONT DEPARTMENT OF HIGHWAYS  
BENNINGTON, VERMONT - DIST. # 1

DESIGNED BY: G. Mastro  
DRAWN BY: P.F.W.  
APPROVED BY: C.M. Walsh  
DWG. NO. 1 OF 3

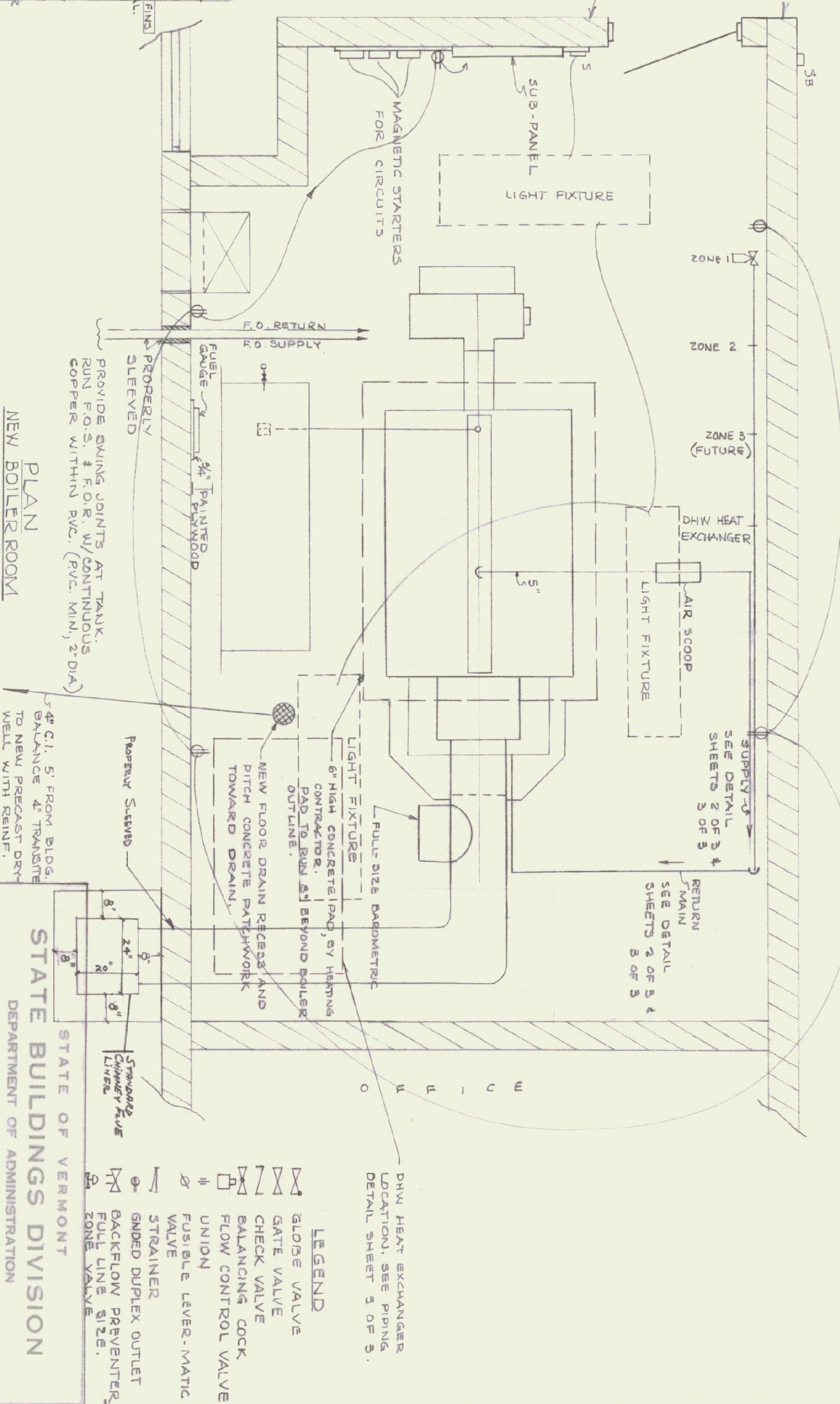
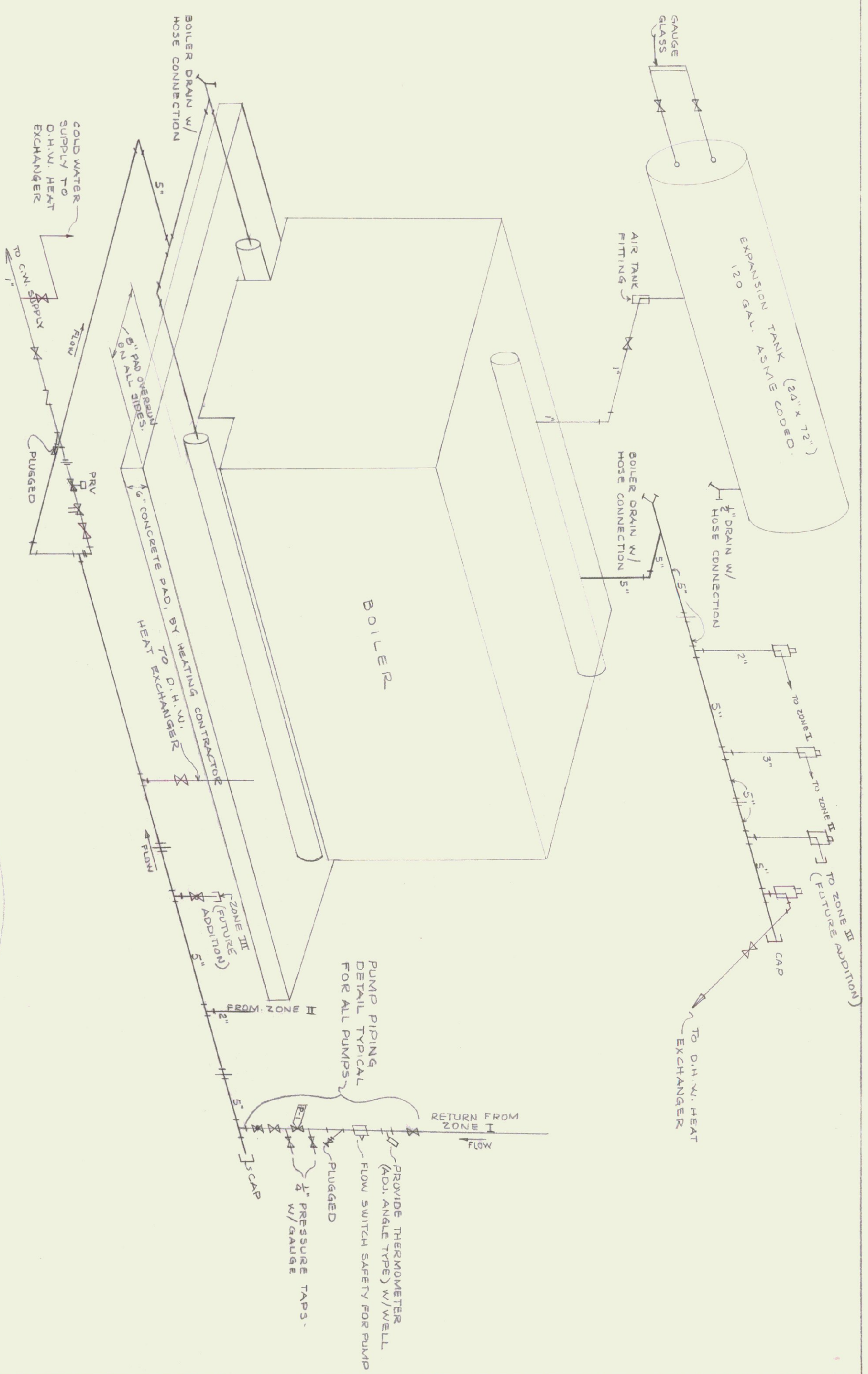
**NOTE:**  
FUEL TANK EXCAVATION, BACKFILL, CONCRETE PAD,  
AND FURNISHING OIL TANK & SETTING (GUY) ON PAD  
BY STATE HIGHWAY DEPT. ALL OTHER WORK NECESSARY  
FOR COMPLETE INSTALLATION BY MECHANICAL CONTRACTOR.



**NOTE:**  
DEDUCT FROM ALTERNATE #1  
INSTALLATION OF ONE (1) 1200 MBTU BOILER SHALL BE SUCH THAT REAR OF BOILER SHALL FACE EXTERIOR WALL W/ BREACHING ARRANGED TO RECEIVE A FUTURE SECOND BOILER OF SAME SIZE.

**HEATING EQUIPMENT SCHEDULE (RATINGS @ 195° F. D.W.T. W/ 20 F. DIFFERENTIAL)**

MARK	TYPE	MANUFACTURER MODEL	MBH	HP	DISCHARGE RPM	CFM	REMARKS																																															
  |      |   |   |        |     |     |        |  |      |   |   |       |     |     |         |   
   |      |   |   |       |     |     |        |  |      |   |   |       |     |     |         |   
   |      |             |        |        |      |     |      |  
  |      |   |   |        |      |     |      |  |      |   |   |        |     |     |      |  
   |      |   |   |       |     |     |      |   |      |   |   |       |     |     |      |   
  |      |   |   |       |     |     |      |   |      |   |   |       |     |     |      |  
   |      |   |   |       |     |     |      |   |      |   |   |       |     |     |      |   
  |      |   |   |       |     |     |      |  |      |   |   |       |     |     |      |   
  |      |   |   |       |     |     |      |  |      |   |   |       |     |     |      |   
  |      |   |   |       |     |     |      |  |      |   |   |       |     |     |      |   
  |      |   |   |       |     |     |      |  |      |   |   |       |     |     |      |  |      |   |   |       |     |     |      |  
   |      |   |   |       |     |     |      |  |      |   |   |       |     |     |      |  
   |      |   |   |       |     |     |      |  |      |   |   |       |     |     |      |  |      |   |   |       |     |     |      |   
  |      |   |   |       |     |     |      |  |      |   |   |       |     |     |      |  |      |   |   |       |     |     |      |  |      |   |   |       |     |     |      |   
  |      |   |   |       |     |     |      |  |      |   |   |       |     |     |      |  |      |   |   |       |     |     |      |  
   |      |   |   |       |     |     |      |  |      |   |   |       |     |     |      |  |      |   |   |       |     |     |      |  |      |   |   |       |     |     |      |  |      |   |   |       |     |     |      |   
  |      |   |   |       |     |     |      |  |      |   |   |       |     |     |      |  |      |   |   |       |     |     |      |  |      |   |   |       |     |     |      |  |      |   |   |       |     |     |      |  |      |   |   |       |     |     |      |  |      |   |   |       |     |     |      |  
   |      |   |   |       |     |     |      |  |      |   |   |       |     |     |      |  |      |   |   |       |     |     |      |  |      |   |   |       |     |     |      |  |      |   |   |       |     |     |      |  |      |   |   |       |     |     |      |  |      |   |   |       |     |     |      |  |      |   |   |       |     |     |      |       |
|------|---------------|-------------------------|----------|------|---------------|---------|---|------|---|---|--------|------|-----|--------
--	------	---	---	--------	-----	-----	--------
---	------	---	---	-------	-----	-----	--------
--	------	---	---	-------	-----	-----	---------
---	------	-------------	--------	--------	------	-----	------
---	------	---	---	--------	------	-----	------
--	------	---	---	--------	-----	-----	------
--	------	---	---	-------	-----	-----	------
---	------	---	---	-------	-----	-----	------
--	------	---	---	-------	-----	-----	------
---	------	---	---	-------	-----	-----	------
--	------	---	---	-------	-----	-----	------
---	------	---	---	-------	-----	-----	------
--	------	---	---	-------	-----	-----	------
--	------	---	---	-------	-----	-----	------
--	------	---	---	-------	-----	-----	------
--	------	---	---	-------	-----	-----	------
--	------	---	---	-------	-----	-----	------
--	------	---	---	-------	-----	-----	------
--	------	---	---	-------	-----	-----	------
--	------	---	---	-------	-----	-----	------
--	------	---	---	-------	-----	-----	------
--	------	---	---	-------	-----	-----	------
--	------	---	---	-------	-----	-----	------
--	------	---	---	-------	-----	-----	------
P-1	IN-LINE	BELL & GOSSETT 60-1/2-A	30.0 GPM	1/2	1750	9 L.F.	1 1/2\"/>
  |      |   |   |        |     |     |        |  |      |   |   |       |     |     |         |   
   |      |   |   |       |     |     |        |  |      |   |   |       |     |     |         |   
   |      |             |        |        |      |     |      |  
  |      |   |   |        |      |     |      |  |      |   |   |        |     |     |      |  
   |      |   |   |       |     |     |      |   |      |   |   |       |     |     |      |   
  |      |   |   |       |     |     |      |   |      |   |   |       |     |     |      |  
   |      |   |   |       |     |     |      |   |      |   |   |       |     |     |      |   
  |      |   |   |       |     |     |      |  |      |   |   |       |     |     |      |   
  |      |   |   |       |     |     |      |  |      |   |   |       |     |     |      |   
  |      |   |   |       |     |     |      |  |      |   |   |       |     |     |      |   
  |      |   |   |       |     |     |      |  |      |   |   |       |     |     |      |  |      |   |   |       |     |     |      |  
   |      |   |   |       |     |     |      |  |      |   |   |       |     |     |      |  
   |      |   |   |       |     |     |      |  |      |   |   |       |     |     |      |  |      |   |   |       |     |     |      |   
  |      |   |   |       |     |     |      |  |      |   |   |       |     |     |      |  |      |   |   |       |     |     |      |  |      |   |   |       |     |     |      |   
  |      |   |   |       |     |     |      |  |      |   |   |       |     |     |      |  |      |   |   |       |     |     |      |  
   |      |   |   |       |     |     |      |  |      |   |   |       |     |     |      |  |      |   |   |       |     |     |      |  |      |   |   |       |     |     |      |  |      |   |   |       |     |     |      |   
  |      |   |   |       |     |     |      |  |      |   |   |       |     |     |      |  |      |   |   |       |     |     |      |  |      |   |   |       |     |     |      |  |      |   |   |       |     |     |      |  |      |   |   |       |     |     |      |  |      |   |   |       |     |     |      |  
   |      |   |   |       |     |     |      |  |      |   |   |       |     |     |      |  |      |   |   |       |     |     |      |  |      |   |   |       |     |     |      |  |      |   |   |       |     |     |      |  |      |   |   |       |     |     |      |  |      |   |   |       |     |     |      |  |      |   |   |       |     |     |      |       |
| R-1  | STEERING CASE | STERLING                | C-35     | 1/2  | 1750          | 6 L.F.  | 1\"/> <tr> <td>R-2</td> <td>"</td> <td>"</td> <td>"</td> <td>"</td> <td>"</td> <td>5 L.F.</td> <td>"</td> </tr> <tr> <td>R-3</td> <td>"</td> <td>"</td> <td>"</td> <td>"</td> <td>"</td> <td>9 L.F.</td> <td>"</td> </tr> <tr> <td>R-4</td> <td>"</td> <td>"</td> <td>"</td> <td>"</td> <td>"</td> <td>14 L.F.</td> <td>"</td> </tr> <tr> <td>R-5</td> <td>"</td> <td>"</td> <td>"</td> <td>"</td> <td>"</td> <td>8 L.F.</td> <td>"</td> </tr> <tr> <td>R-6</td> <td>"</td> <td>"</td> <td>"</td> <td>"</td> <td>"</td> <td>14 L.F.</td> <td>"</td> </tr> <tr> <td>U-1</td> <td>UNIT HEATER</td> <td>MODINE</td> <td>H3-465</td> <td>24.5</td> <td>1/2</td> <td>1550</td> <td>1\"/&gt;  <tr> <td>U-2</td> <td>"</td> <td>"</td> <td>H3-540</td> <td>34.6</td> <td>1/2</td> <td>2360</td> <td>1\"/&gt;  <tr> <td>U-3</td> <td>"</td> <td>"</td> <td>H3-720</td> <td>141</td> <td>1/2</td> <td>4770</td> <td>1\"/&gt;  <tr> <td>U-4</td> <td>"</td> <td>"</td> <td>V-675</td> <td>122</td> <td>1/2</td> <td>2900</td> <td>1\"/&gt;  <tr> <td>U-5</td> <td>"</td> <td>"</td> <td>V-675</td> <td>122</td> <td>1/2</td> <td>2900</td> <td>1\"/&gt;  <tr> <td>U-6</td> <td>"</td> <td>"</td> <td>V-675</td> <td>122</td> <td>1/2</td> <td>2900</td> <td>1\"/&gt;  <tr> <td>U-7</td> <td>"</td> <td>"</td> <td>V-675</td> <td>122</td> <td>1/2</td> <td>2900</td> <td>1\"/&gt;  <tr> <td>U-8</td> <td>"</td> <td>"</td> <td>V-675</td> <td>122</td> <td>1/2</td> <td>2900</td> <td>1\"/&gt;  <tr> <td>U-9</td> <td>"</td> <td>"</td> <td>V-675</td> <td>122</td> <td>1/2</td> <td>2900</td> <td>1\"/&gt;  <tr> <td>U-10</td> <td>"</td> <td>"</td> <td>V-675</td> <td>122</td> <td>1/2</td> <td>2900</td> <td>1\"/&gt;  <tr> <td>U-11</td> <td>"</td> <td>"</td> <td>V-675</td> <td>122</td> <td>1/2</td> <td>2900</td> <td>1\"/&gt;  <tr> <td>U-12</td> <td>"</td> <td>"</td> <td>V-675</td> <td>122</td> <td>1/2</td> <td>2900</td> <td>1\"/&gt;  <tr> <td>U-13</td> <td>"</td> <td>"</td> <td>V-675</td> <td>122</td> <td>1/2</td> <td>2900</td> <td>1\"/&gt;  <tr> <td>U-14</td> <td>"</td> <td>"</td> <td>V-675</td> <td>122</td> <td>1/2</td> <td>2900</td> <td>1\"/&gt;  <tr> <td>U-15</td> <td>"</td> <td>"</td> <td>V-675</td> <td>122</td> <td>1/2</td> <td>2900</td> <td>1\"/&gt;  <tr> <td>U-16</td> <td>"</td> <td>"</td> <td>V-675</td> <td>122</td> <td>1/2</td> <td>2900</td> <td>1\"/&gt;  <tr> <td>U-17</td> <td>"</td> <td>"</td> <td>V-675</td> <td>122</td> <td>1/2</td> <td>2900</td> <td>1\"/&gt;  <tr> <td>U-18</td> <td>"</td> <td>"</td> <td>V-675</td> <td>122</td> <td>1/2</td> <td>2900</td> <td>1\"/&gt;  <tr> <td>U-19</td> <td>"</td> <td>"</td> <td>V-675</td> <td>122</td> <td>1/2</td> <td>2900</td> <td>1\"/&gt;  <tr> <td>U-20</td> <td>"</td> <td>"</td> <td>V-675</td> <td>122</td> <td>1/2</td> <td>2900</td> <td>1\"/&gt;  <tr> <td>U-21</td> <td>"</td> <td>"</td> <td>V-675</td> <td>122</td> <td>1/2</td> <td>2900</td> <td>1\"/&gt;  <tr> <td>U-22</td> <td>"</td> <td>"</td> <td>V-675</td> <td>122</td> <td>1/2</td> <td>2900</td> <td>1\"/&gt;  <tr> <td>U-23</td> <td>"</td> <td>"</td> <td>V-675</td> <td>122</td> <td>1/2</td> <td>2900</td> <td>1\"/&gt;  <tr> <td>U-24</td> <td>"</td> <td>"</td> <td>V-675</td> <td>122</td> <td>1/2</td> <td>2900</td> <td>1\"/&gt;  <tr> <td>U-25</td> <td>"</td> <td>"</td> <td>V-675</td> <td>122</td> <td>1/2</td> <td>2900</td> <td>1\"/&gt;  <tr> <td>U-26</td> <td>"</td> <td>"</td> <td>V-675</td> <td>122</td> <td>1/2</td> <td>2900</td> <td>1\"/&gt;  <tr> <td>U-27</td> <td>"</td> <td>"</td> <td>V-675</td> <td>122</td> <td>1/2</td> <td>2900</td> <td>1\"/&gt;  <tr> <td>U-28</td> <td>"</td> <td>"</td> <td>V-675</td> <td>122</td> <td>1/2</td> <td>2900</td> <td>1\"/&gt;  <tr> <td>U-29</td> <td>"</td> <td>"</td> <td>V-675</td> <td>122</td> <td>1/2</td> <td>2900</td> <td>1\"/&gt;  <tr> <td>U-30</td> <td>"</td> <td>"</td> <td>V-675</td> <td>122</td> <td>1/2</td> <td>2900</td> <td>1\"/&gt;  <tr> <td>U-31</td> <td>"</td> <td>"</td> <td>V-675</td> <td>122</td> <td>1/2</td> <td>2900</td> <td>1\"/&gt;  <tr> <td>U-32</td> <td>"</td> <td>"</td> <td>V-675</td> <td>122</td> <td>1/2</td> <td>2900</td> <td>1\"/&gt;  <tr> <td>U-33</td> <td>"</td> <td>"</td> <td>V-675</td> <td>122</td> <td>1/2</td> <td>2900</td> <td>1\"/&gt;  <tr> <td>U-34</td> <td>"</td> <td>"</td> <td>V-675</td> <td>122</td> <td>1/2</td> <td>2900</td> <td>1\"/&gt;  <tr> <td>U-35</td> <td>"</td> <td>"</td> <td>V-675</td> <td>122</td> <td>1/2</td> <td>2900</td> <td>1\"/&gt;  <tr> <td>U-36</td> <td>"</td> <td>"</td> <td>V-675</td> <td>122</td> <td>1/2</td> <td>2900</td> <td>1\"/&gt;  <tr> <td>U-37</td> <td>"</td> <td>"</td> <td>V-675</td> <td>122</td> <td>1/2</td> <td>2900</td> <td>1\"/&gt;  <tr> <td>U-38</td> <td>"</td> <td>"</td> <td>V-675</td> <td>122</td> <td>1/2</td> <td>2900</td> <td>1\"/&gt;  <tr> <td>U-39</td> <td>"</td> <td>"</td> <td>V-675</td> <td>122</td> <td>1/2</td> <td>2900</td> <td>1\"/&gt;  <tr> <td>U-40</td> <td>"</td> <td>"</td> <td>V-675</td> <td>122</td> <td>1/2</td> <td>2900</td> <td>1\"/&gt;  <tr> <td>U-41</td> <td>"</td> <td>"</td> <td>V-675</td> <td>122</td> <td>1/2</td> <td>2900</td> <td>1\"/&gt;  <tr> <td>U-42</td> <td>"</td> <td>"</td> <td>V-675</td> <td>122</td> <td>1/2</td> <td>2900</td> <td>1\"/&gt;  <tr> <td>U-43</td> <td>"</td> <td>"</td> <td>V-675</td> <td>122</td> <td>1/2</td> <td>2900</td> <td>1\"/&gt;  <tr> <td>U-44</td> <td>"</td> <td>"</td> <td>V-675</td> <td>122</td> <td>1/2</td> <td>2900</td> <td>1\"/&gt;  <tr> <td>U-45</td> <td>"</td> <td>"</td> <td>V-675</td> <td>122</td> <td>1/2</td> <td>2900</td> <td>1\"/&gt;  <tr> <td>U-46</td> <td>"</td> <td>"</td> <td>V-675</td> <td>122</td> <td>1/2</td> <td>2900</td> <td>1\"/&gt;  <tr> <td>U-47</td> <td>"</td> <td>"</td> <td>V-675</td> <td>122</td> <td>1/2</td> <td>2900</td> <td>1\"/&gt;  <tr> <td>U-48</td> <td>"</td> <td>"</td> <td>V-675</td> <td>122</td> <td>1/2</td> <td>2900</td> <td>1\"/&gt;  <tr> <td>U-49</td> <td>"</td> <td>"</td> <td>V-675</td> <td>122</td> <td>1/2</td> <td>2900</td> <td>1\"/&gt;  <tr> <td>U-50</td> <td>"</td> <td>"</td> <td>V-675</td> <td>122</td> <td>1/2</td> <td>2900</td> <td>1\"/&gt;  </td></tr></td></tr></td></tr></td></tr></td></tr></td></tr></td></tr></td></tr></td></tr></td></tr></td></tr></td></tr></td></tr></td></tr></td></tr></td></tr></td></tr></td></tr></td></tr></td></tr></td></tr></td></tr></td></tr></td></tr></td></tr></td></tr></td></tr></td></tr></td></tr></td></tr></td></tr></td></tr></td></tr></td></tr></td></tr></td></tr></td></tr></td></tr></td></tr></td></tr></td></tr></td></tr></td></tr></td></tr></td></tr></td></tr></td></tr></td></tr></td></tr></td></tr> | R-2  | " | " | "      | "    | "   | 5 L.F. | "   
  | R-3  | " | " | "      | "   | "   | 9 L.F. | "  | R-4  | " | " | "     | "   | "   | 14 L.F. | "   
   | R-5  | " | " | "     | "   | "   | 8 L.F. | "  | R-6  | " | " | "     | "   | "   | 14 L.F. | "   
   | U-1  | UNIT HEATER | MODINE | H3-465 | 24.5 | 1/2 | 1550 | 1\"/> <tr> <td>U-2</td> <td>"</td> <td>"</td> <td>H3-540</td> <td>34.6</td> <td>1/2</td> <td>2360</td> <td>1\"/&gt;  <tr> <td>U-3</td> <td>"</td> <td>"</td> <td>H3-720</td> <td>141</td> <td>1/2</td> <td>4770</td> <td>1\"/&gt;  <tr> <td>U-4</td> <td>"</td> <td>"</td> <td>V-675</td> <td>122</td> <td>1/2</td> <td>2900</td> <td>1\"/&gt;  <tr> <td>U-5</td> <td>"</td> <td>"</td> <td>V-675</td> <td>122</td> <td>1/2</td> <td>2900</td> <td>1\"/&gt;  <tr> <td>U-6</td> <td>"</td> <td>"</td> <td>V-675</td> <td>122</td> <td>1/2</td> <td>2900</td> <td>1\"/&gt;  <tr> <td>U-7</td> <td>"</td> <td>"</td> <td>V-675</td> <td>122</td> <td>1/2</td> <td>2900</td> <td>1\"/&gt;  <tr> <td>U-8</td> <td>"</td> <td>"</td> <td>V-675</td> <td>122</td> <td>1/2</td> <td>2900</td> <td>1\"/&gt;  <tr> <td>U-9</td> <td>"</td> <td>"</td> <td>V-675</td> <td>122</td> <td>1/2</td> <td>2900</td> <td>1\"/&gt;  <tr> <td>U-10</td> <td>"</td> <td>"</td> <td>V-675</td> <td>122</td> <td>1/2</td> <td>2900</td> <td>1\"/&gt;  <tr> <td>U-11</td> <td>"</td> <td>"</td> <td>V-675</td> <td>122</td> <td>1/2</td> <td>2900</td> <td>1\"/&gt;  <tr> <td>U-12</td> <td>"</td> <td>"</td> <td>V-675</td> <td>122</td> <td>1/2</td> <td>2900</td> <td>1\"/&gt;  <tr> <td>U-13</td> <td>"</td> <td>"</td> <td>V-675</td> <td>122</td> <td>1/2</td> <td>2900</td> <td>1\"/&gt;  <tr> <td>U-14</td> <td>"</td> <td>"</td> <td>V-675</td> <td>122</td> <td>1/2</td> <td>2900</td> <td>1\"/&gt;  <tr> <td>U-15</td> <td>"</td> <td>"</td> <td>V-675</td> <td>122</td> <td>1/2</td> <td>2900</td> <td>1\"/&gt;  <tr> <td>U-16</td> <td>"</td> <td>"</td> <td>V-675</td> <td>122</td> <td>1/2</td> <td>2900</td> <td>1\"/&gt;  <tr> <td>U-17</td> <td>"</td> <td>"</td> <td>V-675</td> <td>122</td> <td>1/2</td> <td>2900</td> <td>1\"/&gt;  <tr> <td>U-18</td> <td>"</td> <td>"</td> <td>V-675</td> <td>122</td> <td>1/2</td> <td>2900</td> <td>1\"/&gt;  <tr> <td>U-19</td> <td>"</td> <td>"</td> <td>V-675</td> <td>122</td> <td>1/2</td> <td>2900</td> <td>1\"/&gt;  <tr> <td>U-20</td> <td>"</td> <td>"</td> <td>V-675</td> <td>122</td> <td>1/2</td> <td>2900</td> <td>1\"/&gt;  <tr> <td>U-21</td> <td>"</td> <td>"</td> <td>V-675</td> <td>122</td> <td>1/2</td> <td>2900</td> <td>1\"/&gt;  <tr> <td>U-22</td> <td>"</td> <td>"</td> <td>V-675</td> <td>122</td> <td>1/2</td> <td>2900</td> <td>1\"/&gt;  <tr> <td>U-23</td> <td>"</td> <td>"</td> <td>V-675</td> <td>122</td> <td>1/2</td> <td>2900</td> <td>1\"/&gt;  <tr> <td>U-24</td> <td>"</td> <td>"</td> <td>V-675</td> <td>122</td> <td>1/2</td> <td>2900</td> <td>1\"/&gt;  <tr> <td>U-25</td> <td>"</td> <td>"</td> <td>V-675</td> <td>122</td> <td>1/2</td> <td>2900</td> <td>1\"/&gt;  <tr> <td>U-26</td> <td>"</td> <td>"</td> <td>V-675</td> <td>122</td> <td>1/2</td> <td>2900</td> <td>1\"/&gt;  <tr> <td>U-27</td> <td>"</td> <td>"</td> <td>V-675</td> <td>122</td> <td>1/2</td> <td>2900</td> <td>1\"/&gt;  <tr> <td>U-28</td> <td>"</td> <td>"</td> <td>V-675</td> <td>122</td> <td>1/2</td> <td>2900</td> <td>1\"/&gt;  <tr> <td>U-29</td> <td>"</td> <td>"</td> <td>V-675</td> <td>122</td> <td>1/2</td> <td>2900</td> <td>1\"/&gt;  <tr> <td>U-30</td> <td>"</td> <td>"</td> <td>V-675</td> <td>122</td> <td>1/2</td> <td>2900</td> <td>1\"/&gt;  <tr> <td>U-31</td> <td>"</td> <td>"</td> <td>V-675</td> <td>122</td> <td>1/2</td> <td>2900</td> <td>1\"/&gt;  <tr> <td>U-32</td> <td>"</td> <td>"</td> <td>V-675</td> <td>122</td> <td>1/2</td> <td>2900</td> <td>1\"/&gt;  <tr> <td>U-33</td> <td>"</td> <td>"</td> <td>V-675</td> <td>122</td> <td>1/2</td> <td>2900</td> <td>1\"/&gt;  <tr> <td>U-34</td> <td>"</td> <td>"</td> <td>V-675</td> <td>122</td> <td>1/2</td> <td>2900</td> <td>1\"/&gt;  <tr> <td>U-35</td> <td>"</td> <td>"</td> <td>V-675</td> <td>122</td> <td>1/2</td> <td>2900</td> <td>1\"/&gt;  <tr> <td>U-36</td> <td>"</td> <td>"</td> <td>V-675</td> <td>122</td> <td>1/2</td> <td>2900</td> <td>1\"/&gt;  <tr> <td>U-37</td> <td>"</td> <td>"</td> <td>V-675</td> <td>122</td> <td>1/2</td> <td>2900</td> <td>1\"/&gt;  <tr> <td>U-38</td> <td>"</td> <td>"</td> <td>V-675</td> <td>122</td> <td>1/2</td> <td>2900</td> <td>1\"/&gt;  <tr> <td>U-39</td> <td>"</td> <td>"</td> <td>V-675</td> <td>122</td> <td>1/2</td> <td>2900</td> <td>1\"/&gt;  <tr> <td>U-40</td> <td>"</td> <td>"</td> <td>V-675</td> <td>122</td> <td>1/2</td> <td>2900</td> <td>1\"/&gt;  <tr> <td>U-41</td> <td>"</td> <td>"</td> <td>V-675</td> <td>122</td> <td>1/2</td> <td>2900</td> <td>1\"/&gt;  <tr> <td>U-42</td> <td>"</td> <td>"</td> <td>V-675</td> <td>122</td> <td>1/2</td> <td>2900</td> <td>1\"/&gt;  <tr> <td>U-43</td> <td>"</td> <td>"</td> <td>V-675</td> <td>122</td> <td>1/2</td> <td>2900</td> <td>1\"/&gt;  <tr> <td>U-44</td> <td>"</td> <td>"</td> <td>V-675</td> <td>122</td> <td>1/2</td> <td>2900</td> <td>1\"/&gt;  <tr> <td>U-45</td> <td>"</td> <td>"</td> <td>V-675</td> <td>122</td> <td>1/2</td> <td>2900</td> <td>1\"/&gt;  <tr> <td>U-46</td> <td>"</td> <td>"</td> <td>V-675</td> <td>122</td> <td>1/2</td> <td>2900</td> <td>1\"/&gt;  <tr> <td>U-47</td> <td>"</td> <td>"</td> <td>V-675</td> <td>122</td> <td>1/2</td> <td>2900</td> <td>1\"/&gt;  <tr> <td>U-48</td> <td>"</td> <td>"</td> <td>V-675</td> <td>122</td> <td>1/2</td> <td>2900</td> <td>1\"/&gt;  <tr> <td>U-49</td> <td>"</td> <td>"</td> <td>V-675</td> <td>122</td> <td>1/2</td> <td>2900</td> <td>1\"/&gt;  <tr> <td>U-50</td> <td>"</td> <td>"</td> <td>V-675</td> <td>122</td> <td>1/2</td> <td>2900</td> <td>1\"/&gt; 
</td></tr></td></tr></td></tr></td></tr></td></tr></td></tr></td></tr></td></tr></td></tr></td></tr></td></tr></td></tr></td></tr></td></tr></td></tr></td></tr></td></tr></td></tr></td></tr></td></tr></td></tr></td></tr></td></tr></td></tr></td></tr></td></tr></td></tr></td></tr></td></tr></td></tr></td></tr></td></tr></td></tr></td></tr></td></tr></td></tr></td></tr></td></tr></td></tr></td></tr></td></tr></td></tr></td></tr></td></tr></td></tr></td></tr></td></tr></td></tr></td></tr> | U-2  | " | " | H3-540 | 34.6 | 1/2 | 2360 | 1\"/> <tr> <td>U-3</td> <td>"</td> <td>"</td> <td>H3-720</td> <td>141</td> <td>1/2</td> <td>4770</td> <td>1\"/&gt;  <tr> <td>U-4</td> <td>"</td> <td>"</td> <td>V-675</td> <td>122</td> <td>1/2</td> <td>2900</td> <td>1\"/&gt;  <tr> <td>U-5</td> <td>"</td> <td>"</td> <td>V-675</td> <td>122</td> <td>1/2</td> <td>2900</td> <td>1\"/&gt;  <tr> <td>U-6</td> <td>"</td> <td>"</td> <td>V-675</td> <td>122</td> <td>1/2</td> <td>2900</td> <td>1\"/&gt;  <tr> <td>U-7</td> <td>"</td> <td>"</td> <td>V-675</td> <td>122</td> <td>1/2</td> <td>2900</td> <td>1\"/&gt;  <tr> <td>U-8</td> <td>"</td> <td>"</td> <td>V-675</td> <td>122</td> <td>1/2</td> <td>2900</td> <td>1\"/&gt;  <tr> <td>U-9</td> <td>"</td> <td>"</td> <td>V-675</td> <td>122</td> <td>1/2</td> <td>2900</td> <td>1\"/&gt;  <tr> <td>U-10</td> <td>"</td> <td>"</td> <td>V-675</td> <td>122</td> <td>1/2</td> <td>2900</td> <td>1\"/&gt;  <tr> <td>U-11</td> <td>"</td> <td>"</td> <td>V-675</td> <td>122</td> <td>1/2</td> <td>2900</td> <td>1\"/&gt;  <tr> <td>U-12</td> <td>"</td> <td>"</td> <td>V-675</td> <td>122</td> <td>1/2</td> <td>2900</td> <td>1\"/&gt;  <tr> <td>U-13</td> <td>"</td> <td>"</td> <td>V-675</td> <td>122</td> <td>1/2</td> <td>2900</td> <td>1\"/&gt;  <tr> <td>U-14</td> <td>"</td> <td>"</td> <td>V-675</td> <td>122</td> <td>1/2</td> <td>2900</td> <td>1\"/&gt;  <tr> <td>U-15</td> <td>"</td> <td>"</td> <td>V-675</td> <td>122</td> <td>1/2</td> <td>2900</td> <td>1\"/&gt;  <tr> <td>U-16</td> <td>"</td> <td>"</td> <td>V-675</td> <td>122</td> <td>1/2</td> <td>2900</td> <td>1\"/&gt;  <tr> <td>U-17</td> <td>"</td> <td>"</td> <td>V-675</td> <td>122</td> <td>1/2</td> <td>2900</td> <td>1\"/&gt;  <tr> <td>U-18</td> <td>"</td> <td>"</td> <td>V-675</td> <td>122</td> <td>1/2</td> <td>2900</td> <td>1\"/&gt;  <tr> <td>U-19</td> <td>"</td> <td>"</td> <td>V-675</td> <td>122</td> <td>1/2</td> <td>2900</td> <td>1\"/&gt;  <tr> <td>U-20</td> <td>"</td> <td>"</td> <td>V-675</td> <td>122</td> <td>1/2</td> <td>2900</td> <td>1\"/&gt;  <tr> <td>U-21</td> <td>"</td> <td>"</td> <td>V-675</td> <td>122</td> <td>1/2</td> <td>2900</td> <td>1\"/&gt;  <tr> <td>U-22</td> <td>"</td> <td>"</td> <td>V-675</td> <td>122</td> <td>1/2</td> <td>2900</td> <td>1\"/&gt;  <tr> <td>U-23</td> <td>"</td> <td>"</td> <td>V-675</td> <td>122</td> <td>1/2</td> <td>2900</td> <td>1\"/&gt;  <tr> <td>U-24</td> <td>"</td> <td>"</td> <td>V-675</td> <td>122</td> <td>1/2</td> <td>2900</td> <td>1\"/&gt;  <tr> <td>U-25</td> <td>"</td> <td>"</td> <td>V-675</td> <td>122</td> <td>1/2</td> <td>2900</td> <td>1\"/&gt;  <tr> <td>U-26</td> <td>"</td> <td>"</td> <td>V-675</td> <td>122</td> <td>1/2</td> <td>2900</td> <td>1\"/&gt;  <tr> <td>U-27</td> <td>"</td> <td>"</td> <td>V-675</td> <td>122</td> <td>1/2</td> <td>2900</td> <td>1\"/&gt;  <tr> <td>U-28</td> <td>"</td> <td>"</td> <td>V-675</td> <td>122</td> <td>1/2</td> <td>2900</td> <td>1\"/&gt;  <tr> <td>U-29</td> <td>"</td> <td>"</td> <td>V-675</td> <td>122</td> <td>1/2</td> <td>2900</td> <td>1\"/&gt;  <tr> <td>U-30</td> <td>"</td> <td>"</td> <td>V-675</td> <td>122</td> <td>1/2</td> <td>2900</td> <td>1\"/&gt;  <tr> <td>U-31</td> <td>"</td> <td>"</td> <td>V-675</td> <td>122</td> <td>1/2</td> <td>2900</td> <td>1\"/&gt;  <tr> <td>U-32</td> <td>"</td> <td>"</td> <td>V-675</td> <td>122</td> <td>1/2</td> <td>2900</td> <td>1\"/&gt;  <tr> <td>U-33</td> <td>"</td> <td>"</td> <td>V-675</td> <td>122</td> <td>1/2</td> <td>2900</td> <td>1\"/&gt;  <tr> <td>U-34</td> <td>"</td> <td>"</td> <td>V-675</td> <td>122</td> <td>1/2</td> <td>2900</td> <td>1\"/&gt;  <tr> <td>U-35</td> <td>"</td> <td>"</td> <td>V-675</td> <td>122</td> <td>1/2</td> <td>2900</td> <td>1\"/&gt;  <tr> <td>U-36</td> <td>"</td> <td>"</td> <td>V-675</td> <td>122</td> <td>1/2</td> <td>2900</td> <td>1\"/&gt;  <tr> <td>U-37</td> <td>"</td> <td>"</td> <td>V-675</td> <td>122</td> <td>1/2</td> <td>2900</td> <td>1\"/&gt;  <tr> <td>U-38</td> <td>"</td> <td>"</td> <td>V-675</td> <td>122</td> <td>1/2</td> <td>2900</td> <td>1\"/&gt;  <tr> <td>U-39</td> <td>"</td> <td>"</td> <td>V-675</td> <td>122</td> <td>1/2</td> <td>2900</td> <td>1\"/&gt;  <tr> <td>U-40</td> <td>"</td> <td>"</td> <td>V-675</td> <td>122</td> <td>1/2</td> <td>2900</td> <td>1\"/&gt;  <tr> <td>U-41</td> <td>"</td> <td>"</td> <td>V-675</td> <td>122</td> <td>1/2</td> <td>2900</td> <td>1\"/&gt;  <tr> <td>U-42</td> <td>"</td> <td>"</td> <td>V-675</td> <td>122</td> <td>1/2</td> <td>2900</td> <td>1\"/&gt;  <tr> <td>U-43</td> <td>"</td> <td>"</td> <td>V-675</td> <td>122</td> <td>1/2</td> <td>2900</td> <td>1\"/&gt;  <tr> <td>U-44</td> <td>"</td> <td>"</td> <td>V-675</td> <td>122</td> <td>1/2</td> <td>2900</td> <td>1\"/&gt;  <tr> <td>U-45</td> <td>"</td> <td>"</td> <td>V-675</td> <td>122</td> <td>1/2</td> <td>2900</td> <td>1\"/&gt;  <tr> <td>U-46</td> <td>"</td> <td>"</td> <td>V-675</td> <td>122</td> <td>1/2</td> <td>2900</td> <td>1\"/&gt;  <tr> <td>U-47</td> <td>"</td> <td>"</td> <td>V-675</td> <td>122</td> <td>1/2</td> <td>2900</td> <td>1\"/&gt;  <tr> <td>U-48</td> <td>"</td> <td>"</td> <td>V-675</td> <td>122</td> <td>1/2</td> <td>2900</td> <td>1\"/&gt;  <tr> <td>U-49</td> <td>"</td> <td>"</td> <td>V-675</td> <td>122</td> <td>1/2</td> <td>2900</td> <td>1\"/&gt;  <tr> <td>U-50</td> <td>"</td> <td>"</td> <td>V-675</td> <td>122</td> <td>1/2</td> <td>2900</td> <td>1\"/&gt;  </td></tr></td></tr></td></tr></td></tr></td></tr></td></tr></td></tr></td></tr></td></tr></td></tr></td></tr></td></tr></td></tr></td></tr></td></tr></td></tr></td></tr></td></tr></td></tr></td></tr></td></tr></td></tr></td></tr></td></tr></td></tr></td></tr></td></tr></td></tr></td></tr></td></tr></td></tr></td></tr></td></tr></td></tr></td></tr></td></tr></td></tr></td></tr></td></tr></td></tr></td></tr></td></tr></td></tr></td></tr></td></tr></td></tr></td></tr></td></tr> | U-3  | " | " | H3-720 | 141 | 1/2 | 4770 | 1\"/> <tr> <td>U-4</td> <td>"</td> <td>"</td> <td>V-675</td> <td>122</td> <td>1/2</td> <td>2900</td> <td>1\"/&gt;  <tr> <td>U-5</td> <td>"</td> <td>"</td> <td>V-675</td> <td>122</td> <td>1/2</td> <td>2900</td> <td>1\"/&gt;  <tr> <td>U-6</td> <td>"</td> <td>"</td> <td>V-675</td> <td>122</td> <td>1/2</td> <td>2900</td> <td>1\"/&gt;  <tr> <td>U-7</td> <td>"</td> <td>"</td> <td>V-675</td> <td>122</td> <td>1/2</td> <td>2900</td> <td>1\"/&gt;  <tr> <td>U-8</td> <td>"</td> <td>"</td> <td>V-675</td> <td>122</td> <td>1/2</td> <td>2900</td> <td>1\"/&gt;  <tr> <td>U-9</td> <td>"</td> <td>"</td> <td>V-675</td> <td>122</td> <td>1/2</td> <td>2900</td> <td>1\"/&gt;  <tr> <td>U-10</td> <td>"</td> <td>"</td> <td>V-675</td> <td>122</td> <td>1/2</td> <td>2900</td> <td>1\"/&gt;  <tr> <td>U-11</td> <td>"</td> <td>"</td> <td>V-675</td> <td>122</td> <td>1/2</td> <td>2900</td> <td>1\"/&gt;  <tr> <td>U-12</td> <td>"</td> <td>"</td> <td>V-675</td> <td>122</td> <td>1/2</td> <td>2900</td> <td>1\"/&gt;  <tr> <td>U-13</td> <td>"</td> <td>"</td> <td>V-675</td> <td>122</td> <td>1/2</td> <td>2900</td> <td>1\"/&gt;  <tr> <td>U-14</td> <td>"</td> <td>"</td> <td>V-675</td> <td>122</td> <td>1/2</td> <td>2900</td> <td>1\"/&gt;  <tr> <td>U-15</td> <td>"</td> <td>"</td> <td>V-675</td> <td>122</td> <td>1/2</td> <td>2900</td> <td>1\"/&gt;  <tr> <td>U-16</td> <td>"</td> <td>"</td> <td>V-675</td> <td>122</td> <td>1/2</td> <td>2900</td> <td>1\"/&gt;  <tr> <td>U-17</td> <td>"</td> <td>"</td> <td>V-675</td> <td>122</td> <td>1/2</td> <td>2900</td> <td>1\"/&gt;  <tr> <td>U-18</td> <td>"</td> <td>"</td> <td>V-675</td> <td>122</td> <td>1/2</td> <td>2900</td> <td>1\"/&gt;  <tr> <td>U-19</td> <td>"</td> <td>"</td> <td>V-675</td> <td>122</td> <td>1/2</td> <td>2900</td> <td>1\"/&gt;  <tr> <td>U-20</td> <td>"</td> <td>"</td> <td>V-675</td> <td>122</td> <td>1/2</td> <td>2900</td> <td>1\"/&gt;  <tr> <td>U-21</td> <td>"</td> <td>"</td> <td>V-675</td> <td>122</td> <td>1/2</td> <td>2900</td> <td>1\"/&gt;  <tr> <td>U-22</td> <td>"</td> <td>"</td> <td>V-675</td> <td>122</td> <td>1/2</td> <td>2900</td> <td>1\"/&gt;  <tr> <td>U-23</td> <td>"</td> <td>"</td> <td>V-675</td> <td>122</td> <td>1/2</td> <td>2900</td> <td>1\"/&gt;  <tr> <td>U-24</td> <td>"</td> <td>"</td> <td>V-675</td> <td>122</td> <td>1/2</td> <td>2900</td> <td>1\"/&gt;  <tr> <td>U-25</td> <td>"</td> <td>"</td> <td>V-675</td> <td>122</td> <td>1/2</td> <td>2900</td> <td>1\"/&gt;  <tr> <td>U-26</td> <td>"</td> <td>"</td> <td>V-675</td> <td>122</td> <td>1/2</td> <td>2900</td> <td>1\"/&gt;  <tr> <td>U-27</td> <td>"</td> <td>"</td> <td>V-675</td> <td>122</td> <td>1/2</td> <td>2900</td> <td>1\"/&gt;  <tr> <td>U-28</td> <td>"</td> <td>"</td> <td>V-675</td> <td>122</td> <td>1/2</td> <td>2900</td> <td>1\"/&gt;  <tr> <td>U-29</td> <td>"</td> <td>"</td> <td>V-675</td> <td>122</td> <td>1/2</td> <td>2900</td> <td>1\"/&gt;  <tr> <td>U-30</td> <td>"</td> <td>"</td> <td>V-675</td> <td>122</td> <td>1/2</td> <td>2900</td> <td>1\"/&gt;  <tr> <td>U-31</td> <td>"</td> <td>"</td> <td>V-675</td> <td>122</td> <td>1/2</td> <td>2900</td> <td>1\"/&gt;  <tr> <td>U-32</td> <td>"</td> <td>"</td> <td>V-675</td> <td>122</td> <td>1/2</td> <td>2900</td> <td>1\"/&gt;  <tr> <td>U-33</td> <td>"</td> <td>"</td> <td>V-675</td> <td>122</td> <td>1/2</td> <td>2900</td> <td>1\"/&gt;  <tr> <td>U-34</td> <td>"</td> <td>"</td> <td>V-675</td> <td>122</td> <td>1/2</td> <td>2900</td> <td>1\"/&gt;  <tr> <td>U-35</td> <td>"</td> <td>"</td> <td>V-675</td> <td>122</td> <td>1/2</td> <td>2900</td> <td>1\"/&gt;  <tr> <td>U-36</td> <td>"</td> <td>"</td> <td>V-675</td> <td>122</td> <td>1/2</td> <td>2900</td> <td>1\"/&gt;  <tr> <td>U-37</td>
<td>"</td> <td>"</td> <td>V-675</td> <td>122</td> <td>1/2</td> <td>2900</td> <td>1\"/&gt;  <tr> <td>U-38</td> <td>"</td> <td>"</td> <td>V-675</td> <td>122</td> <td>1/2</td> <td>2900</td> <td>1\"/&gt;  <tr> <td>U-39</td> <td>"</td> <td>"</td> <td>V-675</td> <td>122</td> <td>1/2</td> <td>2900</td> <td>1\"/&gt;  <tr> <td>U-40</td> <td>"</td> <td>"</td> <td>V-675</td> <td>122</td> <td>1/2</td> <td>2900</td> <td>1\"/&gt;  <tr> <td>U-41</td> <td>"</td> <td>"</td> <td>V-675</td> <td>122</td> <td>1/2</td> <td>2900</td> <td>1\"/&gt;  <tr> <td>U-42</td> <td>"</td> <td>"</td> <td>V-675</td> <td>122</td> <td>1/2</td> <td>2900</td> <td>1\"/&gt;  <tr> <td>U-43</td> <td>"</td> <td>"</td> <td>V-675</td> <td>122</td> <td>1/2</td> <td>2900</td> <td>1\"/&gt;  <tr> <td>U-44</td> <td>"</td> <td>"</td> <td>V-675</td> <td>122</td> <td>1/2</td> <td>2900</td> <td>1\"/&gt;  <tr> <td>U-45</td> <td>"</td> <td>"</td> <td>V-675</td> <td>122</td> <td>1/2</td> <td>2900</td> <td>1\"/&gt;  <tr> <td>U-46</td> <td>"</td> <td>"</td> <td>V-675</td> <td>122</td> <td>1/2</td> <td>2900</td> <td>1\"/&gt;  <tr> <td>U-47</td> <td>"</td> <td>"</td> <td>V-675</td> <td>122</td> <td>1/2</td> <td>2900</td> <td>1\"/&gt;  <tr> <td>U-48</td> <td>"</td> <td>"</td> <td>V-675</td> <td>122</td> <td>1/2</td> <td>2900</td> <td>1\"/&gt;  <tr> <td>U-49</td> <td>"</td> <td>"</td> <td>V-675</td> <td>122</td> <td>1/2</td> <td>2900</td> <td>1\"/&gt;  <tr> <td>U-50</td> <td>"</td> <td>"</td> <td>V-675</td> <td>122</td> <td>1/2</td> <td>2900</td> <td>1\"/&gt;  </td></tr></td></tr></td></tr></td></tr></td></tr></td></tr></td></tr></td></tr></td></tr></td></tr></td></tr></td></tr></td></tr></td></tr></td></tr></td></tr></td></tr></td></tr></td></tr></td></tr></td></tr></td></tr></td></tr></td></tr></td></tr></td></tr></td></tr></td></tr></td></tr></td></tr></td></tr></td></tr></td></tr></td></tr></td></tr></td></tr></td></tr></td></tr></td></tr></td></tr></td></tr></td></tr></td></tr></td></tr></td></tr></td></tr></td></tr> | U-4  | " | " | V-675 | 122 | 1/2 | 2900 | 1\"/> <tr> <td>U-5</td> <td>"</td> <td>"</td> <td>V-675</td> <td>122</td> <td>1/2</td> <td>2900</td> <td>1\"/&gt;  <tr> <td>U-6</td> <td>"</td> <td>"</td> <td>V-675</td> <td>122</td> <td>1/2</td> <td>2900</td> <td>1\"/&gt;  <tr> <td>U-7</td> <td>"</td> <td>"</td> <td>V-675</td> <td>122</td> <td>1/2</td> <td>2900</td> <td>1\"/&gt;  <tr> <td>U-8</td> <td>"</td> <td>"</td> <td>V-675</td> <td>122</td> <td>1/2</td> <td>2900</td> <td>1\"/&gt;  <tr> <td>U-9</td> <td>"</td> <td>"</td> <td>V-675</td> <td>122</td> <td>1/2</td> <td>2900</td> <td>1\"/&gt;  <tr> <td>U-10</td> <td>"</td> <td>"</td> <td>V-675</td> <td>122</td> <td>1/2</td> <td>2900</td> <td>1\"/&gt;  <tr> <td>U-11</td> <td>"</td> <td>"</td> <td>V-675</td> <td>122</td> <td>1/2</td> <td>2900</td> <td>1\"/&gt;  <tr> <td>U-12</td> <td>"</td> <td>"</td> <td>V-675</td> <td>122</td> <td>1/2</td> <td>2900</td> <td>1\"/&gt;  <tr> <td>U-13</td> <td>"</td> <td>"</td> <td>V-675</td> <td>122</td> <td>1/2</td> <td>2900</td> <td>1\"/&gt;  <tr> <td>U-14</td> <td>"</td> <td>"</td> <td>V-675</td> <td>122</td> <td>1/2</td> <td>2900</td> <td>1\"/&gt;  <tr> <td>U-15</td> <td>"</td> <td>"</td> <td>V-675</td> <td>122</td> <td>1/2</td> <td>2900</td> <td>1\"/&gt;  <tr> <td>U-16</td> <td>"</td> <td>"</td> <td>V-675</td> <td>122</td> <td>1/2</td> <td>2900</td> <td>1\"/&gt;  <tr> <td>U-17</td> <td>"</td> <td>"</td> <td>V-675</td> <td>122</td> <td>1/2</td> <td>2900</td> <td>1\"/&gt;  <tr> <td>U-18</td> <td>"</td> <td>"</td> <td>V-675</td> <td>122</td> <td>1/2</td> <td>2900</td> <td>1\"/&gt;  <tr> <td>U-19</td> <td>"</td> <td>"</td> <td>V-675</td> <td>122</td> <td>1/2</td> <td>2900</td> <td>1\"/&gt;  <tr> <td>U-20</td> <td>"</td> <td>"</td> <td>V-675</td> <td>122</td> <td>1/2</td> <td>2900</td> <td>1\"/&gt;  <tr> <td>U-21</td> <td>"</td> <td>"</td> <td>V-675</td> <td>122</td> <td>1/2</td> <td>2900</td> <td>1\"/&gt;  <tr> <td>U-22</td> <td>"</td> <td>"</td> <td>V-675</td> <td>122</td> <td>1/2</td> <td>2900</td> <td>1\"/&gt;  <tr> <td>U-23</td> <td>"</td> <td>"</td> <td>V-675</td> <td>122</td> <td>1/2</td> <td>2900</td> <td>1\"/&gt;  <tr> <td>U-24</td> <td>"</td> <td>"</td> <td>V-675</td> <td>122</td> <td>1/2</td> <td>2900</td> <td>1\"/&gt;  <tr> <td>U-25</td> <td>"</td> <td>"</td> <td>V-675</td> <td>122</td> <td>1/2</td> <td>2900</td> <td>1\"/&gt;  <tr> <td>U-26</td> <td>"</td> <td>"</td> <td>V-675</td> <td>122</td> <td>1/2</td> <td>2900</td> <td>1\"/&gt;  <tr> <td>U-27</td> <td>"</td> <td>"</td> <td>V-675</td> <td>122</td> <td>1/2</td> <td>2900</td> <td>1\"/&gt;  <tr> <td>U-28</td> <td>"</td> <td>"</td> <td>V-675</td> <td>122</td> <td>1/2</td> <td>2900</td> <td>1\"/&gt;  <tr> <td>U-29</td> <td>"</td> <td>"</td> <td>V-675</td> <td>122</td> <td>1/2</td> <td>2900</td> <td>1\"/&gt;  <tr> <td>U-30</td> <td>"</td> <td>"</td> <td>V-675</td> <td>122</td> <td>1/2</td> <td>2900</td> <td>1\"/&gt;  <tr> <td>U-31</td> <td>"</td> <td>"</td> <td>V-675</td> <td>122</td> <td>1/2</td> <td>2900</td> <td>1\"/&gt;  <tr> <td>U-32</td> <td>"</td> <td>"</td> <td>V-675</td> <td>122</td> <td>1/2</td> <td>2900</td> <td>1\"/&gt;  <tr> <td>U-33</td> <td>"</td> <td>"</td> <td>V-675</td> <td>122</td> <td>1/2</td> <td>2900</td> <td>1\"/&gt;  <tr> <td>U-34</td> <td>"</td> <td>"</td> <td>V-675</td> <td>122</td> <td>1/2</td> <td>2900</td> <td>1\"/&gt;  <tr> <td>U-35</td> <td>"</td> <td>"</td> <td>V-675</td> <td>122</td> <td>1/2</td> <td>2900</td> <td>1\"/&gt;  <tr> <td>U-36</td> <td>"</td> <td>"</td> <td>V-675</td> <td>122</td> <td>1/2</td> <td>2900</td> <td>1\"/&gt;  <tr> <td>U-37</td> <td>"</td> <td>"</td> <td>V-675</td> <td>122</td> <td>1/2</td> <td>2900</td> <td>1\"/&gt;  <tr> <td>U-38</td> <td>"</td> <td>"</td> <td>V-675</td> <td>122</td> <td>1/2</td> <td>2900</td> <td>1\"/&gt;  <tr> <td>U-39</td> <td>"</td> <td>"</td> <td>V-675</td> <td>122</td> <td>1/2</td> <td>2900</td> <td>1\"/&gt;  <tr> <td>U-40</td> <td>"</td> <td>"</td> <td>V-675</td> <td>122</td> <td>1/2</td> <td>2900</td> <td>1\"/&gt;  <tr> <td>U-41</td> <td>"</td> <td>"</td> <td>V-675</td> <td>122</td> <td>1/2</td> <td>2900</td> <td>1\"/&gt;  <tr> <td>U-42</td> <td>"</td> <td>"</td> <td>V-675</td> <td>122</td> <td>1/2</td> <td>2900</td> <td>1\"/&gt;  <tr> <td>U-43</td> <td>"</td> <td>"</td> <td>V-675</td> <td>122</td> <td>1/2</td> <td>2900</td> <td>1\"/&gt;  <tr> <td>U-44</td> <td>"</td> <td>"</td> <td>V-675</td> <td>122</td> <td>1/2</td> <td>2900</td> <td>1\"/&gt;  <tr> <td>U-45</td> <td>"</td> <td>"</td> <td>V-675</td> <td>122</td> <td>1/2</td> <td>2900</td> <td>1\"/&gt;  <tr> <td>U-46</td> <td>"</td> <td>"</td> <td>V-675</td> <td>122</td> <td>1/2</td> <td>2900</td> <td>1\"/&gt;  <tr> <td>U-47</td> <td>"</td> <td>"</td> <td>V-675</td> <td>122</td> <td>1/2</td> <td>2900</td> <td>1\"/&gt;  <tr> <td>U-48</td> <td>"</td> <td>"</td> <td>V-675</td> <td>122</td> <td>1/2</td> <td>2900</td> <td>1\"/&gt;  <tr> <td>U-49</td> <td>"</td> <td>"</td> <td>V-675</td> <td>122</td> <td>1/2</td> <td>2900</td> <td>1\"/&gt;  <tr> <td>U-50</td> <td>"</td> <td>"</td> <td>V-675</td> <td>122</td> <td>1/2</td> <td>2900</td> <td>1\"/&gt;  </td></tr></td></tr></td></tr></td></tr></td></tr></td></tr></td></tr></td></tr></td></tr></td></tr></td></tr></td></tr></td></tr></td></tr></td></tr></td></tr></td></tr></td></tr></td></tr></td></tr></td></tr></td></tr></td></tr></td></tr></td></tr></td></tr></td></tr></td></tr></td></tr></td></tr></td></tr></td></tr></td></tr></td></tr></td></tr></td></tr></td></tr></td></tr></td></tr></td></tr></td></tr></td></tr></td></tr></td></tr></td></tr></td></tr> | U-5  | " | " | V-675 | 122 | 1/2 | 2900 | 1\"/> <tr> <td>U-6</td> <td>"</td> <td>"</td> <td>V-675</td> <td>122</td> <td>1/2</td> <td>2900</td> <td>1\"/&gt;  <tr> <td>U-7</td> <td>"</td> <td>"</td> <td>V-675</td> <td>122</td> <td>1/2</td> <td>2900</td> <td>1\"/&gt;  <tr> <td>U-8</td> <td>"</td> <td>"</td> <td>V-675</td> <td>122</td> <td>1/2</td> <td>2900</td> <td>1\"/&gt;  <tr> <td>U-9</td> <td>"</td> <td>"</td> <td>V-675</td> <td>122</td> <td>1/2</td> <td>2900</td> <td>1\"/&gt;  <tr> <td>U-10</td> <td>"</td> <td>"</td> <td>V-675</td> <td>122</td> <td>1/2</td> <td>2900</td> <td>1\"/&gt;  <tr> <td>U-11</td> <td>"</td> <td>"</td> <td>V-675</td> <td>122</td> <td>1/2</td> <td>2900</td> <td>1\"/&gt;  <tr> <td>U-12</td> <td>"</td> <td>"</td> <td>V-675</td> <td>122</td> <td>1/2</td> <td>2900</td> <td>1\"/&gt;  <tr> <td>U-13</td> <td>"</td> <td>"</td> <td>V-675</td> <td>122</td> <td>1/2</td> <td>2900</td> <td>1\"/&gt;  <tr> <td>U-14</td> <td>"</td> <td>"</td> <td>V-675</td> <td>122</td> <td>1/2</td> <td>2900</td> <td>1\"/&gt;  <tr> <td>U-15</td> <td>"</td> <td>"</td> <td>V-675</td> <td>122</td> <td>1/2</td> <td>2900</td> <td>1\"/&gt;  <tr> <td>U-16</td> <td>"</td> <td>"</td> <td>V-675</td> <td>122</td> <td>1/2</td> <td>2900</td> <td>1\"/&gt;  <tr> <td>U-17</td> <td>"</td> <td>"</td> <td>V-675</td> <td>122</td> <td>1/2</td> <td>2900</td> <td>1\"/&gt;  <tr> <td>U-18</td> <td>"</td> <td>"</td> <td>V-675</td> <td>122</td> <td>1/2</td> <td>2900</td> <td>1\"/&gt;  <tr> <td>U-19</td> <td>"</td> <td>"</td> <td>V-675</td> <td>122</td> <td>1/2</td> <td>2900</td> <td>1\"/&gt;  <tr> <td>U-20</td> <td>"</td> <td>"</td> <td>V-675</td> <td>122</td> <td>1/2</td> <td>2900</td> <td>1\"/&gt;  <tr> <td>U-21</td> <td>"</td> <td>"</td> <td>V-675</td> <td>122</td> <td>1/2</td> <td>2900</td> <td>1\"/&gt;  <tr> <td>U-22</td> <td>"</td> <td>"</td> <td>V-675</td> <td>122</td> <td>1/2</td> <td>2900</td> <td>1\"/&gt;  <tr> <td>U-23</td> <td>"</td> <td>"</td> <td>V-675</td> <td>122</td> <td>1/2</td> <td>2900</td> <td>1\"/&gt;  <tr> <td>U-24</td> <td>"</td> <td>"</td> <td>V-675</td> <td>122</td> <td>1/2</td> <td>2900</td> <td>1\"/&gt;  <tr> <td>U-25</td> <td>"</td> <td>"</td> <td>V-675</td> <td>122</td> <td>1/2</td> <td>2900</td> <td>1\"/&gt;  <tr> <td>U-26</td> <td>"</td> <td>"</td> <td>V-675</td> <td>122</td> <td>1/2</td> <td>2900</td> <td>1\"/&gt;  <tr> <td>U-27</td> <td>"</td> <td>"</td> <td>V-675</td> <td>122</td> <td>1/2</td>
<td>2900</td> <td>1\"/&gt;  <tr> <td>U-28</td> <td>"</td> <td>"</td> <td>V-675</td> <td>122</td> <td>1/2</td> <td>2900</td> <td>1\"/&gt;  <tr> <td>U-29</td> <td>"</td> <td>"</td> <td>V-675</td> <td>122</td> <td>1/2</td> <td>2900</td> <td>1\"/&gt;  <tr> <td>U-30</td> <td>"</td> <td>"</td> <td>V-675</td> <td>122</td> <td>1/2</td> <td>2900</td> <td>1\"/&gt;  <tr> <td>U-31</td> <td>"</td> <td>"</td> <td>V-675</td> <td>122</td> <td>1/2</td> <td>2900</td> <td>1\"/&gt;  <tr> <td>U-32</td> <td>"</td> <td>"</td> <td>V-675</td> <td>122</td> <td>1/2</td> <td>2900</td> <td>1\"/&gt;  <tr> <td>U-33</td> <td>"</td> <td>"</td> <td>V-675</td> <td>122</td> <td>1/2</td> <td>2900</td> <td>1\"/&gt;  <tr> <td>U-34</td> <td>"</td> <td>"</td> <td>V-675</td> <td>122</td> <td>1/2</td> <td>2900</td> <td>1\"/&gt;  <tr> <td>U-35</td> <td>"</td> <td>"</td> <td>V-675</td> <td>122</td> <td>1/2</td> <td>2900</td> <td>1\"/&gt;  <tr> <td>U-36</td> <td>"</td> <td>"</td> <td>V-675</td> <td>122</td> <td>1/2</td> <td>2900</td> <td>1\"/&gt;  <tr> <td>U-37</td> <td>"</td> <td>"</td> <td>V-675</td> <td>122</td> <td>1/2</td> <td>2900</td> <td>1\"/&gt;  <tr> <td>U-38</td> <td>"</td> <td>"</td> <td>V-675</td> <td>122</td> <td>1/2</td> <td>2900</td> <td>1\"/&gt;  <tr> <td>U-39</td> <td>"</td> <td>"</td> <td>V-675</td> <td>122</td> <td>1/2</td> <td>2900</td> <td>1\"/&gt;  <tr> <td>U-40</td> <td>"</td> <td>"</td> <td>V-675</td> <td>122</td> <td>1/2</td> <td>2900</td> <td>1\"/&gt;  <tr> <td>U-41</td> <td>"</td> <td>"</td> <td>V-675</td> <td>122</td> <td>1/2</td> <td>2900</td> <td>1\"/&gt;  <tr> <td>U-42</td> <td>"</td> <td>"</td> <td>V-675</td> <td>122</td> <td>1/2</td> <td>2900</td> <td>1\"/&gt;  <tr> <td>U-43</td> <td>"</td> <td>"</td> <td>V-675</td> <td>122</td> <td>1/2</td> <td>2900</td> <td>1\"/&gt;  <tr> <td>U-44</td> <td>"</td> <td>"</td> <td>V-675</td> <td>122</td> <td>1/2</td> <td>2900</td> <td>1\"/&gt;  <tr> <td>U-45</td> <td>"</td> <td>"</td> <td>V-675</td> <td>122</td> <td>1/2</td> <td>2900</td> <td>1\"/&gt;  <tr> <td>U-46</td> <td>"</td> <td>"</td> <td>V-675</td> <td>122</td> <td>1/2</td> <td>2900</td> <td>1\"/&gt;  <tr> <td>U-47</td> <td>"</td> <td>"</td> <td>V-675</td> <td>122</td> <td>1/2</td> <td>2900</td> <td>1\"/&gt;  <tr> <td>U-48</td> <td>"</td> <td>"</td> <td>V-675</td> <td>122</td> <td>1/2</td> <td>2900</td> <td>1\"/&gt;  <tr> <td>U-49</td> <td>"</td> <td>"</td> <td>V-675</td> <td>122</td> <td>1/2</td> <td>2900</td> <td>1\"/&gt;  <tr> <td>U-50</td> <td>"</td> <td>"</td> <td>V-675</td> <td>122</td> <td>1/2</td> <td>2900</td> <td>1\"/&gt;  </td></tr></td></tr></td></tr></td></tr></td></tr></td></tr></td></tr></td></tr></td></tr></td></tr></td></tr></td></tr></td></tr></td></tr></td></tr></td></tr></td></tr></td></tr></td></tr></td></tr></td></tr></td></tr></td></tr></td></tr></td></tr></td></tr></td></tr></td></tr></td></tr></td></tr></td></tr></td></tr></td></tr></td></tr></td></tr></td></tr></td></tr></td></tr></td></tr></td></tr></td></tr></td></tr></td></tr></td></tr></td></tr> | U-6  | " | " | V-675 | 122 | 1/2 | 2900 | 1\"/> <tr> <td>U-7</td> <td>"</td> <td>"</td> <td>V-675</td> <td>122</td> <td>1/2</td> <td>2900</td> <td>1\"/&gt;  <tr> <td>U-8</td> <td>"</td> <td>"</td> <td>V-675</td> <td>122</td> <td>1/2</td> <td>2900</td> <td>1\"/&gt;  <tr> <td>U-9</td> <td>"</td> <td>"</td> <td>V-675</td> <td>122</td> <td>1/2</td> <td>2900</td> <td>1\"/&gt;  <tr> <td>U-10</td> <td>"</td> <td>"</td> <td>V-675</td> <td>122</td> <td>1/2</td> <td>2900</td> <td>1\"/&gt;  <tr> <td>U-11</td> <td>"</td> <td>"</td> <td>V-675</td> <td>122</td> <td>1/2</td> <td>2900</td> <td>1\"/&gt;  <tr> <td>U-12</td> <td>"</td> <td>"</td> <td>V-675</td> <td>122</td> <td>1/2</td> <td>2900</td> <td>1\"/&gt;  <tr> <td>U-13</td> <td>"</td> <td>"</td> <td>V-675</td> <td>122</td> <td>1/2</td> <td>2900</td> <td>1\"/&gt;  <tr> <td>U-14</td> <td>"</td> <td>"</td> <td>V-675</td> <td>122</td> <td>1/2</td> <td>2900</td> <td>1\"/&gt;  <tr> <td>U-15</td> <td>"</td> <td>"</td> <td>V-675</td> <td>122</td> <td>1/2</td> <td>2900</td> <td>1\"/&gt;  <tr> <td>U-16</td> <td>"</td> <td>"</td> <td>V-675</td> <td>122</td> <td>1/2</td> <td>2900</td> <td>1\"/&gt;  <tr> <td>U-17</td> <td>"</td> <td>"</td> <td>V-675</td> <td>122</td> <td>1/2</td> <td>2900</td> <td>1\"/&gt;  <tr> <td>U-18</td> <td>"</td> <td>"</td> <td>V-675</td> <td>122</td> <td>1/2</td> <td>2900</td> <td>1\"/&gt;  <tr> <td>U-19</td> <td>"</td> <td>"</td> <td>V-675</td> <td>122</td> <td>1/2</td> <td>2900</td> <td>1\"/&gt;  <tr> <td>U-20</td> <td>"</td> <td>"</td> <td>V-675</td> <td>122</td> <td>1/2</td> <td>2900</td> <td>1\"/&gt;  <tr> <td>U-21</td> <td>"</td> <td>"</td> <td>V-675</td> <td>122</td> <td>1/2</td> <td>2900</td> <td>1\"/&gt;  <tr> <td>U-22</td> <td>"</td> <td>"</td> <td>V-675</td> <td>122</td> <td>1/2</td> <td>2900</td> <td>1\"/&gt;  <tr> <td>U-23</td> <td>"</td> <td>"</td> <td>V-675</td> <td>122</td> <td>1/2</td> <td>2900</td> <td>1\"/&gt;  <tr> <td>U-24</td> <td>"</td> <td>"</td> <td>V-675</td> <td>122</td> <td>1/2</td> <td>2900</td> <td>1\"/&gt;  <tr> <td>U-25</td> <td>"</td> <td>"</td> <td>V-675</td> <td>122</td> <td>1/2</td> <td>2900</td> <td>1\"/&gt;  <tr> <td>U-26</td> <td>"</td> <td>"</td> <td>V-675</td> <td>122</td> <td>1/2</td> <td>2900</td> <td>1\"/&gt;  <tr> <td>U-27</td> <td>"</td> <td>"</td> <td>V-675</td> <td>122</td> <td>1/2</td> <td>2900</td> <td>1\"/&gt;  <tr> <td>U-28</td> <td>"</td> <td>"</td> <td>V-675</td> <td>122</td> <td>1/2</td> <td>2900</td> <td>1\"/&gt;  <tr> <td>U-29</td> <td>"</td> <td>"</td> <td>V-675</td> <td>122</td> <td>1/2</td> <td>2900</td> <td>1\"/&gt;  <tr> <td>U-30</td> <td>"</td> <td>"</td> <td>V-675</td> <td>122</td> <td>1/2</td> <td>2900</td> <td>1\"/&gt;  <tr> <td>U-31</td> <td>"</td> <td>"</td> <td>V-675</td> <td>122</td> <td>1/2</td> <td>2900</td> <td>1\"/&gt;  <tr> <td>U-32</td> <td>"</td> <td>"</td> <td>V-675</td> <td>122</td> <td>1/2</td> <td>2900</td> <td>1\"/&gt;  <tr> <td>U-33</td> <td>"</td> <td>"</td> <td>V-675</td> <td>122</td> <td>1/2</td> <td>2900</td> <td>1\"/&gt;  <tr> <td>U-34</td> <td>"</td> <td>"</td> <td>V-675</td> <td>122</td> <td>1/2</td> <td>2900</td> <td>1\"/&gt;  <tr> <td>U-35</td> <td>"</td> <td>"</td> <td>V-675</td> <td>122</td> <td>1/2</td> <td>2900</td> <td>1\"/&gt;  <tr> <td>U-36</td> <td>"</td> <td>"</td> <td>V-675</td> <td>122</td> <td>1/2</td> <td>2900</td> <td>1\"/&gt;  <tr> <td>U-37</td> <td>"</td> <td>"</td> <td>V-675</td> <td>122</td> <td>1/2</td> <td>2900</td> <td>1\"/&gt;  <tr> <td>U-38</td> <td>"</td> <td>"</td> <td>V-675</td> <td>122</td> <td>1/2</td> <td>2900</td> <td>1\"/&gt;  <tr> <td>U-39</td> <td>"</td> <td>"</td> <td>V-675</td> <td>122</td> <td>1/2</td> <td>2900</td> <td>1\"/&gt;  <tr> <td>U-40</td> <td>"</td> <td>"</td> <td>V-675</td> <td>122</td> <td>1/2</td> <td>2900</td> <td>1\"/&gt;  <tr> <td>U-41</td> <td>"</td> <td>"</td> <td>V-675</td> <td>122</td> <td>1/2</td> <td>2900</td> <td>1\"/&gt;  <tr> <td>U-42</td> <td>"</td> <td>"</td> <td>V-675</td> <td>122</td> <td>1/2</td> <td>2900</td> <td>1\"/&gt;  <tr> <td>U-43</td> <td>"</td> <td>"</td> <td>V-675</td> <td>122</td> <td>1/2</td> <td>2900</td> <td>1\"/&gt;  <tr> <td>U-44</td> <td>"</td> <td>"</td> <td>V-675</td> <td>122</td> <td>1/2</td> <td>2900</td> <td>1\"/&gt;  <tr> <td>U-45</td> <td>"</td> <td>"</td> <td>V-675</td> <td>122</td> <td>1/2</td> <td>2900</td> <td>1\"/&gt;  <tr> <td>U-46</td> <td>"</td> <td>"</td> <td>V-675</td> <td>122</td> <td>1/2</td> <td>2900</td> <td>1\"/&gt;  <tr> <td>U-47</td> <td>"</td> <td>"</td> <td>V-675</td> <td>122</td> <td>1/2</td> <td>2900</td> <td>1\"/&gt;  <tr> <td>U-48</td> <td>"</td> <td>"</td> <td>V-675</td> <td>122</td> <td>1/2</td> <td>2900</td> <td>1\"/&gt;  <tr> <td>U-49</td> <td>"</td> <td>"</td> <td>V-675</td> <td>122</td> <td>1/2</td> <td>2900</td> <td>1\"/&gt;  <tr> <td>U-50</td> <td>"</td> <td>"</td> <td>V-675</td> <td>122</td> <td>1/2</td> <td>2900</td> <td>1\"/&gt;  </td></tr></td></tr></td></tr></td></tr></td></tr></td></tr></td></tr></td></tr></td></tr></td></tr></td></tr></td></tr></td></tr></td></tr></td></tr></td></tr></td></tr></td></tr></td></tr></td></tr></td></tr></td></tr></td></tr></td></tr></td></tr></td></tr></td></tr></td></tr></td></tr></td></tr></td></tr></td></tr></td></tr></td></tr></td></tr></td></tr></td></tr></td></tr></td></tr></td></tr></td></tr></td></tr></td></tr></td></tr> | U-7  | " | " | V-675 | 122 | 1/2 | 2900 | 1\"/> <tr> <td>U-8</td> <td>"</td> <td>"</td> <td>V-675</td> <td>122</td> <td>1/2</td> <td>2900</td> <td>1\"/&gt;  <tr> <td>U-9</td> <td>"</td> <td>"</td> <td>V-675</td> <td>122</td> <td>1/2</td> <td>2900</td> <td>1\"/&gt;  <tr> <td>U-10</td> <td>"</td> <td>"</td> <td>V-675</td> <td>122</td> <td>1/2</td> <td>2900</td> <td>1\"/&gt;  <tr> <td>U-11</td> <td>"</td> <td>"</td> <td>V-675</td> <td>122</td> <td>1/2</td> <td>2900</td> <td>1\"/&gt;  <tr> <td>U-12</td> <td>"</td> <td>"</td> <td>V-675</td> <td>122</td> <td>1/2</td> <td>2900</td> <td>1\"/&gt;  <tr> <td>U-13</td> <td>"</td> <td>"</td> <td>V-675</td> <td>122</td> <td>1/2</td> <td>2900</td> <td>1\"/&gt;  <tr> <td>U-14</td> <td>"</td> <td>"</td> <td>V-675</td> <td>122</td> <td>1/2</td> <td>2900</td> <td>1\"/&gt;  <tr> <td>U-15</td> <td>"</td> <td>"</td> <td>V-675</td> <td>122</td> <td>1/2</td> <td>2900</td> <td>1\"/&gt;  <tr> <td>U-16</td> <td>"</td> <td>"</td> <td>V-675</td> <td>122</td> <td>1/2</td> <td>2900</td> <td>1\"/&gt;  <tr> <td>U-17</td> <td>"</td> <td>"</td> <td>V-675</td> <td>122</td> <td>1/2</td> <td>2900</td> <td>1\"/&gt;  <tr> <td>U-18</td> <td>"</td> <td>"</td> <td>V-675</td> <td>122</td> <td>1/2</td> <td>2900</td> <td>1\"/&gt;  <tr> <td>U-19</td> <td>"</td> <td>"</td> <td>V-675</td> <td>122</td> <td>1/2</td> <td>2900</td> <td>1\"/&gt;  <tr> <td>U-20</td> <td>"</td> <td>"</td> <td>V-675</td> <td>122</td> <td>1/2</td> <td>2900</td> <td>1\"/&gt;  <tr> <td>U-21</td> <td>"</td> <td>"</td> <td>V-675</td> <td>122</td> <td>1/2</td> <td>2900</td> <td>1\"/&gt;  <tr> <td>U-22</td> <td>"</td> <td>"</td> <td>V-675</td> <td>122</td>
<td>1/2</td> <td>2900</td> <td>1\"/&gt;  <tr> <td>U-23</td> <td>"</td> <td>"</td> <td>V-675</td> <td>122</td> <td>1/2</td> <td>2900</td> <td>1\"/&gt;  <tr> <td>U-24</td> <td>"</td> <td>"</td> <td>V-675</td> <td>122</td> <td>1/2</td> <td>2900</td> <td>1\"/&gt;  <tr> <td>U-25</td> <td>"</td> <td>"</td> <td>V-675</td> <td>122</td> <td>1/2</td> <td>2900</td> <td>1\"/&gt;  <tr> <td>U-26</td> <td>"</td> <td>"</td> <td>V-675</td> <td>122</td> <td>1/2</td> <td>2900</td> <td>1\"/&gt;  <tr> <td>U-27</td> <td>"</td> <td>"</td> <td>V-675</td> <td>122</td> <td>1/2</td> <td>2900</td> <td>1\"/&gt;  <tr> <td>U-28</td> <td>"</td> <td>"</td> <td>V-675</td> <td>122</td> <td>1/2</td> <td>2900</td> <td>1\"/&gt;  <tr> <td>U-29</td> <td>"</td> <td>"</td> <td>V-675</td> <td>122</td> <td>1/2</td> <td>2900</td> <td>1\"/&gt;  <tr> <td>U-30</td> <td>"</td> <td>"</td> <td>V-675</td> <td>122</td> <td>1/2</td> <td>2900</td> <td>1\"/&gt;  <tr> <td>U-31</td> <td>"</td> <td>"</td> <td>V-675</td> <td>122</td> <td>1/2</td> <td>2900</td> <td>1\"/&gt;  <tr> <td>U-32</td> <td>"</td> <td>"</td> <td>V-675</td> <td>122</td> <td>1/2</td> <td>2900</td> <td>1\"/&gt;  <tr> <td>U-33</td> <td>"</td> <td>"</td> <td>V-675</td> <td>122</td> <td>1/2</td> <td>2900</td> <td>1\"/&gt;  <tr> <td>U-34</td> <td>"</td> <td>"</td> <td>V-675</td> <td>122</td> <td>1/2</td> <td>2900</td> <td>1\"/&gt;  <tr> <td>U-35</td> <td>"</td> <td>"</td> <td>V-675</td> <td>122</td> <td>1/2</td> <td>2900</td> <td>1\"/&gt;  <tr> <td>U-36</td> <td>"</td> <td>"</td> <td>V-675</td> <td>122</td> <td>1/2</td> <td>2900</td> <td>1\"/&gt;  <tr> <td>U-37</td> <td>"</td> <td>"</td> <td>V-675</td> <td>122</td> <td>1/2</td> <td>2900</td> <td>1\"/&gt;  <tr> <td>U-38</td> <td>"</td> <td>"</td> <td>V-675</td> <td>122</td> <td>1/2</td> <td>2900</td> <td>1\"/&gt;  <tr> <td>U-39</td> <td>"</td> <td>"</td> <td>V-675</td> <td>122</td> <td>1/2</td> <td>2900</td> <td>1\"/&gt;  <tr> <td>U-40</td> <td>"</td> <td>"</td> <td>V-675</td> <td>122</td> <td>1/2</td> <td>2900</td> <td>1\"/&gt;  <tr> <td>U-41</td> <td>"</td> <td>"</td> <td>V-675</td> <td>122</td> <td>1/2</td> <td>2900</td> <td>1\"/&gt;  <tr> <td>U-42</td> <td>"</td> <td>"</td> <td>V-675</td> <td>122</td> <td>1/2</td> <td>2900</td> <td>1\"/&gt;  <tr> <td>U-43</td> <td>"</td> <td>"</td> <td>V-675</td> <td>122</td> <td>1/2</td> <td>2900</td> <td>1\"/&gt;  <tr> <td>U-44</td> <td>"</td> <td>"</td> <td>V-675</td> <td>122</td> <td>1/2</td> <td>2900</td> <td>1\"/&gt;  <tr> <td>U-45</td> <td>"</td> <td>"</td> <td>V-675</td> <td>122</td> <td>1/2</td> <td>2900</td> <td>1\"/&gt;  <tr> <td>U-46</td> <td>"</td> <td>"</td> <td>V-675</td> <td>122</td> <td>1/2</td> <td>2900</td> <td>1\"/&gt;  <tr> <td>U-47</td> <td>"</td> <td>"</td> <td>V-675</td> <td>122</td> <td>1/2</td> <td>2900</td> <td>1\"/&gt;  <tr> <td>U-48</td> <td>"</td> <td>"</td> <td>V-675</td> <td>122</td> <td>1/2</td> <td>2900</td> <td>1\"/&gt;  <tr> <td>U-49</td> <td>"</td> <td>"</td> <td>V-675</td> <td>122</td> <td>1/2</td> <td>2900</td> <td>1\"/&gt;  <tr> <td>U-50</td> <td>"</td> <td>"</td> <td>V-675</td> <td>122</td> <td>1/2</td> <td>2900</td> <td>1\"/&gt;  </td></tr></td></tr></td></tr></td></tr></td></tr></td></tr></td></tr></td></tr></td></tr></td></tr></td></tr></td></tr></td></tr></td></tr></td></tr></td></tr></td></tr></td></tr></td></tr></td></tr></td></tr></td></tr></td></tr></td></tr></td></tr></td></tr></td></tr></td></tr></td></tr></td></tr></td></tr></td></tr></td></tr></td></tr></td></tr></td></tr></td></tr></td></tr></td></tr></td></tr></td></tr></td></tr></td></tr> | U-8  | " | " | V-675 | 122 | 1/2 | 2900 | 1\"/> <tr> <td>U-9</td> <td>"</td> <td>"</td> <td>V-675</td> <td>122</td> <td>1/2</td> <td>2900</td> <td>1\"/&gt;  <tr> <td>U-10</td> <td>"</td> <td>"</td> <td>V-675</td> <td>122</td> <td>1/2</td> <td>2900</td> <td>1\"/&gt;  <tr> <td>U-11</td> <td>"</td> <td>"</td> <td>V-675</td> <td>122</td> <td>1/2</td> <td>2900</td> <td>1\"/&gt;  <tr> <td>U-12</td> <td>"</td> <td>"</td> <td>V-675</td> <td>122</td> <td>1/2</td> <td>2900</td> <td>1\"/&gt;  <tr> <td>U-13</td> <td>"</td> <td>"</td> <td>V-675</td> <td>122</td> <td>1/2</td> <td>2900</td> <td>1\"/&gt;  <tr> <td>U-14</td> <td>"</td> <td>"</td> <td>V-675</td> <td>122</td> <td>1/2</td> <td>2900</td> <td>1\"/&gt;  <tr> <td>U-15</td> <td>"</td> <td>"</td> <td>V-675</td> <td>122</td> <td>1/2</td> <td>2900</td> <td>1\"/&gt;  <tr> <td>U-16</td> <td>"</td> <td>"</td> <td>V-675</td> <td>122</td> <td>1/2</td> <td>2900</td> <td>1\"/&gt;  <tr> <td>U-17</td> <td>"</td> <td>"</td> <td>V-675</td> <td>122</td> <td>1/2</td> <td>2900</td> <td>1\"/&gt;  <tr> <td>U-18</td> <td>"</td> <td>"</td> <td>V-675</td> <td>122</td> <td>1/2</td> <td>2900</td> <td>1\"/&gt;  <tr> <td>U-19</td> <td>"</td> <td>"</td> <td>V-675</td> <td>122</td> <td>1/2</td> <td>2900</td> <td>1\"/&gt;  <tr> <td>U-20</td> <td>"</td> <td>"</td> <td>V-675</td> <td>122</td> <td>1/2</td> <td>2900</td> <td>1\"/&gt;  <tr> <td>U-21</td> <td>"</td> <td>"</td> <td>V-675</td> <td>122</td> <td>1/2</td> <td>2900</td> <td>1\"/&gt;  <tr> <td>U-22</td> <td>"</td> <td>"</td> <td>V-675</td> <td>122</td> <td>1/2</td> <td>2900</td> <td>1\"/&gt;  <tr> <td>U-23</td> <td>"</td> <td>"</td> <td>V-675</td> <td>122</td> <td>1/2</td> <td>2900</td> <td>1\"/&gt;  <tr> <td>U-24</td> <td>"</td> <td>"</td> <td>V-675</td> <td>122</td> <td>1/2</td> <td>2900</td> <td>1\"/&gt;  <tr> <td>U-25</td> <td>"</td> <td>"</td> <td>V-675</td> <td>122</td> <td>1/2</td> <td>2900</td> <td>1\"/&gt;  <tr> <td>U-26</td> <td>"</td> <td>"</td> <td>V-675</td> <td>122</td> <td>1/2</td> <td>2900</td> <td>1\"/&gt;  <tr> <td>U-27</td> <td>"</td> <td>"</td> <td>V-675</td> <td>122</td> <td>1/2</td> <td>2900</td> <td>1\"/&gt;  <tr> <td>U-28</td> <td>"</td> <td>"</td> <td>V-675</td> <td>122</td> <td>1/2</td> <td>2900</td> <td>1\"/&gt;  <tr> <td>U-29</td> <td>"</td> <td>"</td> <td>V-675</td> <td>122</td> <td>1/2</td> <td>2900</td> <td>1\"/&gt;  <tr> <td>U-30</td> <td>"</td> <td>"</td> <td>V-675</td> <td>122</td> <td>1/2</td> <td>2900</td> <td>1\"/&gt;  <tr> <td>U-31</td> <td>"</td> <td>"</td> <td>V-675</td> <td>122</td> <td>1/2</td> <td>2900</td> <td>1\"/&gt;  <tr> <td>U-32</td> <td>"</td> <td>"</td> <td>V-675</td> <td>122</td> <td>1/2</td> <td>2900</td> <td>1\"/&gt;  <tr> <td>U-33</td> <td>"</td> <td>"</td> <td>V-675</td> <td>122</td> <td>1/2</td> <td>2900</td> <td>1\"/&gt;  <tr> <td>U-34</td> <td>"</td> <td>"</td> <td>V-675</td> <td>122</td> <td>1/2</td> <td>2900</td> <td>1\"/&gt;  <tr> <td>U-35</td> <td>"</td> <td>"</td> <td>V-675</td> <td>122</td> <td>1/2</td> <td>2900</td> <td>1\"/&gt;  <tr> <td>U-36</td> <td>"</td> <td>"</td> <td>V-675</td> <td>122</td> <td>1/2</td> <td>2900</td> <td>1\"/&gt;  <tr> <td>U-37</td> <td>"</td> <td>"</td> <td>V-675</td> <td>122</td> <td>1/2</td> <td>2900</td> <td>1\"/&gt;  <tr> <td>U-38</td> <td>"</td> <td>"</td> <td>V-675</td> <td>122</td> <td>1/2</td> <td>2900</td> <td>1\"/&gt;  <tr> <td>U-39</td> <td>"</td> <td>"</td> <td>V-675</td> <td>122</td> <td>1/2</td> <td>2900</td> <td>1\"/&gt;  <tr> <td>U-40</td> <td>"</td> <td>"</td> <td>V-675</td> <td>122</td> <td>1/2</td> <td>2900</td> <td>1\"/&gt;  <tr> <td>U-41</td> <td>"</td> <td>"</td> <td>V-675</td> <td>122</td> <td>1/2</td> <td>2900</td> <td>1\"/&gt;  <tr> <td>U-42</td> <td>"</td> <td>"</td> <td>V-675</td> <td>122</td> <td>1/2</td> <td>2900</td> <td>1\"/&gt;  <tr> <td>U-43</td> <td>"</td> <td>"</td> <td>V-675</td> <td>122</td> <td>1/2</td> <td>2900</td> <td>1\"/&gt;  <tr> <td>U-44</td> <td>"</td> <td>"</td> <td>V-675</td> <td>122</td> <td>1/2</td> <td>2900</td> <td>1\"/&gt;  <tr> <td>U-45</td> <td>"</td> <td>"</td> <td>V-675</td> <td>122</td> <td>1/2</td> <td>2900</td> <td>1\"/&gt;  <tr> <td>U-46</td> <td>"</td> <td>"</td> <td>V-675</td> <td>122</td> <td>1/2</td> <td>2900</td> <td>1\"/&gt;  <tr> <td>U-47</td> <td>"</td> <td>"</td> <td>V-675</td> <td>122</td> <td>1/2</td> <td>2900</td> <td>1\"/&gt;  <tr> <td>U-48</td> <td>"</td> <td>"</td> <td>V-675</td> <td>122</td> <td>1/2</td> <td>2900</td> <td>1\"/&gt;  <tr> <td>U-49</td> <td>"</td> <td>"</td> <td>V-675</td> <td>122</td> <td>1/2</td> <td>2900</td> <td>1\"/&gt;  <tr> <td>U-50</td> <td>"</td> <td>"</td> <td>V-675</td> <td>122</td> <td>1/2</td> <td>2900</td> <td>1\"/&gt;  </td></tr></td></tr></td></tr></td></tr></td></tr></td></tr></td></tr></td></tr></td></tr></td></tr></td></tr></td></tr></td></tr></td></tr></td></tr></td></tr></td></tr></td></tr></td></tr></td></tr></td></tr></td></tr></td></tr></td></tr></td></tr></td></tr></td></tr></td></tr></td></tr></td></tr></td></tr></td></tr></td></tr></td></tr></td></tr></td></tr></td></tr></td></tr></td></tr></td></tr></td></tr></td></tr> | U-9  | " | " | V-675 | 122 | 1/2 | 2900 | 1\"/> <tr> <td>U-10</td> <td>"</td> <td>"</td> <td>V-675</td> <td>122</td> <td>1/2</td> <td>2900</td> <td>1\"/&gt;  <tr> <td>U-11</td> <td>"</td> <td>"</td> <td>V-675</td> <td>122</td> <td>1/2</td> <td>2900</td> <td>1\"/&gt;  <tr> <td>U-12</td> <td>"</td> <td>"</td> <td>V-675</td> <td>122</td> <td>1/2</td> <td>2900</td> <td>1\"/&gt;  <tr> <td>U-13</td> <td>"</td> <td>"</td> <td>V-675</td> <td>122</td> <td>1/2</td> <td>2900</td> <td>1\"/&gt;  <tr> <td>U-14</td> <td>"</td> <td>"</td> <td>V-675</td> <td>122</td> <td>1/2</td> <td>2900</td> <td>1\"/&gt;  <tr> <td>U-15</td> <td>"</td> <td>"</td> <td>V-675</td> <td>122</td> <td>1/2</td> <td>2900</td> <td>1\"/&gt;  <tr> <td>U-16</td> <td>"</td> <td>"</td> <td>V-675</td> <td>122</td> <td>1/2</td> <td>2900</td> <td>1\"/&gt;  <tr> <td>U-17</td> <td>"</td> <td>"</td> <td>V-675</td> <td>122</td> <td>1/2</td> <td>2900</td> <td>1\"/&gt;  <tr> <td>U-18</td> <td>"</td> <td>"</td> <td>V-675</td> <td>122</td> <td>1/2</td> <td>2900</td> <td>1\"/&gt;  <tr> <td>U-19</td> <td>"</td> <td>"</td> <td>V-675</td> <td>122</td> <td>1/2</td> <td>2900</td> <td>1\"/&gt;  <tr> <td>U-20</td> <td>"</td> <td>"</td> <td>V-675</td> <td>122</td> <td>1/2</td> <td>2900</td> <td>1\"/&gt;  <tr> <td>U-21</td> <td>"</td> <td>"</td> <td>V-675</td> <td>122</td> <td>1/2</td> <td>2900</td>
<td>1\"/&gt;  <tr> <td>U-22</td> <td>"</td> <td>"</td> <td>V-675</td> <td>122</td> <td>1/2</td> <td>2900</td> <td>1\"/&gt;  <tr> <td>U-23</td> <td>"</td> <td>"</td> <td>V-675</td> <td>122</td> <td>1/2</td> <td>2900</td> <td>1\"/&gt;  <tr> <td>U-24</td> <td>"</td> <td>"</td> <td>V-675</td> <td>122</td> <td>1/2</td> <td>2900</td> <td>1\"/&gt;  <tr> <td>U-25</td> <td>"</td> <td>"</td> <td>V-675</td> <td>122</td> <td>1/2</td> <td>2900</td> <td>1\"/&gt;  <tr> <td>U-26</td> <td>"</td> <td>"</td> <td>V-675</td> <td>122</td> <td>1/2</td> <td>2900</td> <td>1\"/&gt;  <tr> <td>U-27</td> <td>"</td> <td>"</td> <td>V-675</td> <td>122</td> <td>1/2</td> <td>2900</td> <td>1\"/&gt;  <tr> <td>U-28</td> <td>"</td> <td>"</td> <td>V-675</td> <td>122</td> <td>1/2</td> <td>2900</td> <td>1\"/&gt;  <tr> <td>U-29</td> <td>"</td> <td>"</td> <td>V-675</td> <td>122</td> <td>1/2</td> <td>2900</td> <td>1\"/&gt;  <tr> <td>U-30</td> <td>"</td> <td>"</td> <td>V-675</td> <td>122</td> <td>1/2</td> <td>2900</td> <td>1\"/&gt;  <tr> <td>U-31</td> <td>"</td> <td>"</td> <td>V-675</td> <td>122</td> <td>1/2</td> <td>2900</td> <td>1\"/&gt;  <tr> <td>U-32</td> <td>"</td> <td>"</td> <td>V-675</td> <td>122</td> <td>1/2</td> <td>2900</td> <td>1\"/&gt;  <tr> <td>U-33</td> <td>"</td> <td>"</td> <td>V-675</td> <td>122</td> <td>1/2</td> <td>2900</td> <td>1\"/&gt;  <tr> <td>U-34</td> <td>"</td> <td>"</td> <td>V-675</td> <td>122</td> <td>1/2</td> <td>2900</td> <td>1\"/&gt;  <tr> <td>U-35</td> <td>"</td> <td>"</td> <td>V-675</td> <td>122</td> <td>1/2</td> <td>2900</td> <td>1\"/&gt;  <tr> <td>U-36</td> <td>"</td> <td>"</td> <td>V-675</td> <td>122</td> <td>1/2</td> <td>2900</td> <td>1\"/&gt;  <tr> <td>U-37</td> <td>"</td> <td>"</td> <td>V-675</td> <td>122</td> <td>1/2</td> <td>2900</td> <td>1\"/&gt;  <tr> <td>U-38</td> <td>"</td> <td>"</td> <td>V-675</td> <td>122</td> <td>1/2</td> <td>2900</td> <td>1\"/&gt;  <tr> <td>U-39</td> <td>"</td> <td>"</td> <td>V-675</td> <td>122</td> <td>1/2</td> <td>2900</td> <td>1\"/&gt;  <tr> <td>U-40</td> <td>"</td> <td>"</td> <td>V-675</td> <td>122</td> <td>1/2</td> <td>2900</td> <td>1\"/&gt;  <tr> <td>U-41</td> <td>"</td> <td>"</td> <td>V-675</td> <td>122</td> <td>1/2</td> <td>2900</td> <td>1\"/&gt;  <tr> <td>U-42</td> <td>"</td> <td>"</td> <td>V-675</td> <td>122</td> <td>1/2</td> <td>2900</td> <td>1\"/&gt;  <tr> <td>U-43</td> <td>"</td> <td>"</td> <td>V-675</td> <td>122</td> <td>1/2</td> <td>2900</td> <td>1\"/&gt;  <tr> <td>U-44</td> <td>"</td> <td>"</td> <td>V-675</td> <td>122</td> <td>1/2</td> <td>2900</td> <td>1\"/&gt;  <tr> <td>U-45</td> <td>"</td> <td>"</td> <td>V-675</td> <td>122</td> <td>1/2</td> <td>2900</td> <td>1\"/&gt;  <tr> <td>U-46</td> <td>"</td> <td>"</td> <td>V-675</td> <td>122</td> <td>1/2</td> <td>2900</td> <td>1\"/&gt;  <tr> <td>U-47</td> <td>"</td> <td>"</td> <td>V-675</td> <td>122</td> <td>1/2</td> <td>2900</td> <td>1\"/&gt;  <tr> <td>U-48</td> <td>"</td> <td>"</td> <td>V-675</td> <td>122</td> <td>1/2</td> <td>2900</td> <td>1\"/&gt;  <tr> <td>U-49</td> <td>"</td> <td>"</td> <td>V-675</td> <td>122</td> <td>1/2</td> <td>2900</td> <td>1\"/&gt;  <tr> <td>U-50</td> <td>"</td> <td>"</td> <td>V-675</td> <td>122</td> <td>1/2</td> <td>2900</td> <td>1\"/&gt;  </td></tr></td></tr></td></tr></td></tr></td></tr></td></tr></td></tr></td></tr></td></tr></td></tr></td></tr></td></tr></td></tr></td></tr></td></tr></td></tr></td></tr></td></tr></td></tr></td></tr></td></tr></td></tr></td></tr></td></tr></td></tr></td></tr></td></tr></td></tr></td></tr></td></tr></td></tr></td></tr></td></tr></td></tr></td></tr></td></tr></td></tr></td></tr></td></tr></td></tr></td></tr> | U-10 | " | " | V-675 | 122 | 1/2 | 2900 | 1\"/> <tr> <td>U-11</td> <td>"</td> <td>"</td> <td>V-675</td> <td>122</td> <td>1/2</td> <td>2900</td> <td>1\"/&gt;  <tr> <td>U-12</td> <td>"</td> <td>"</td> <td>V-675</td> <td>122</td> <td>1/2</td> <td>2900</td> <td>1\"/&gt;  <tr> <td>U-13</td> <td>"</td> <td>"</td> <td>V-675</td> <td>122</td> <td>1/2</td> <td>2900</td> <td>1\"/&gt;  <tr> <td>U-14</td> <td>"</td> <td>"</td> <td>V-675</td> <td>122</td> <td>1/2</td> <td>2900</td> <td>1\"/&gt;  <tr> <td>U-15</td> <td>"</td> <td>"</td> <td>V-675</td> <td>122</td> <td>1/2</td> <td>2900</td> <td>1\"/&gt;  <tr> <td>U-16</td> <td>"</td> <td>"</td> <td>V-675</td> <td>122</td> <td>1/2</td> <td>2900</td> <td>1\"/&gt;  <tr> <td>U-17</td> <td>"</td> <td>"</td> <td>V-675</td> <td>122</td> <td>1/2</td> <td>2900</td> <td>1\"/&gt;  <tr> <td>U-18</td> <td>"</td> <td>"</td> <td>V-675</td> <td>122</td> <td>1/2</td> <td>2900</td> <td>1\"/&gt;  <tr> <td>U-19</td> <td>"</td> <td>"</td> <td>V-675</td> <td>122</td> <td>1/2</td> <td>2900</td> <td>1\"/&gt;  <tr> <td>U-20</td> <td>"</td> <td>"</td> <td>V-675</td> <td>122</td> <td>1/2</td> <td>2900</td> <td>1\"/&gt;  <tr> <td>U-21</td> <td>"</td> <td>"</td> <td>V-675</td> <td>122</td> <td>1/2</td> <td>2900</td> <td>1\"/&gt;  <tr> <td>U-22</td> <td>"</td> <td>"</td> <td>V-675</td> <td>122</td> <td>1/2</td> <td>2900</td> <td>1\"/&gt;  <tr> <td>U-23</td> <td>"</td> <td>"</td> <td>V-675</td> <td>122</td> <td>1/2</td> <td>2900</td> <td>1\"/&gt;  <tr> <td>U-24</td> <td>"</td> <td>"</td> <td>V-675</td> <td>122</td> <td>1/2</td> <td>2900</td> <td>1\"/&gt;  <tr> <td>U-25</td> <td>"</td> <td>"</td> <td>V-675</td> <td>122</td> <td>1/2</td> <td>2900</td> <td>1\"/&gt;  <tr> <td>U-26</td> <td>"</td> <td>"</td> <td>V-675</td> <td>122</td> <td>1/2</td> <td>2900</td> <td>1\"/&gt;  <tr> <td>U-27</td> <td>"</td> <td>"</td> <td>V-675</td> <td>122</td> <td>1/2</td> <td>2900</td> <td>1\"/&gt;  <tr> <td>U-28</td> <td>"</td> <td>"</td> <td>V-675</td> <td>122</td> <td>1/2</td> <td>2900</td> <td>1\"/&gt;  <tr> <td>U-29</td> <td>"</td> <td>"</td> <td>V-675</td> <td>122</td> <td>1/2</td> <td>2900</td> <td>1\"/&gt;  <tr> <td>U-30</td> <td>"</td> <td>"</td> <td>V-675</td> <td>122</td> <td>1/2</td> <td>2900</td> <td>1\"/&gt;  <tr> <td>U-31</td> <td>"</td> <td>"</td> <td>V-675</td> <td>122</td> <td>1/2</td> <td>2900</td> <td>1\"/&gt;  <tr> <td>U-32</td> <td>"</td> <td>"</td> <td>V-675</td> <td>122</td> <td>1/2</td> <td>2900</td> <td>1\"/&gt;  <tr> <td>U-33</td> <td>"</td> <td>"</td> <td>V-675</td> <td>122</td> <td>1/2</td> <td>2900</td> <td>1\"/&gt;  <tr> <td>U-34</td> <td>"</td> <td>"</td> <td>V-675</td> <td>122</td> <td>1/2</td> <td>2900</td> <td>1\"/&gt;  <tr> <td>U-35</td> <td>"</td> <td>"</td> <td>V-675</td> <td>122</td> <td>1/2</td> <td>2900</td> <td>1\"/&gt;  <tr> <td>U-36</td> <td>"</td> <td>"</td> <td>V-675</td> <td>122</td> <td>1/2</td> <td>2900</td> <td>1\"/&gt;  <tr> <td>U-37</td> <td>"</td> <td>"</td> <td>V-675</td> <td>122</td> <td>1/2</td> <td>2900</td> <td>1\"/&gt;  <tr> <td>U-38</td> <td>"</td> <td>"</td> <td>V-675</td> <td>122</td> <td>1/2</td> <td>2900</td> <td>1\"/&gt;  <tr> <td>U-39</td> <td>"</td> <td>"</td> <td>V-675</td> <td>122</td> <td>1/2</td> <td>2900</td> <td>1\"/&gt;  <tr> <td>U-40</td> <td>"</td> <td>"</td> <td>V-675</td> <td>122</td> <td>1/2</td> <td>2900</td> <td>1\"/&gt;  <tr> <td>U-41</td> <td>"</td> <td>"</td> <td>V-675</td> <td>122</td> <td>1/2</td> <td>2900</td> <td>1\"/&gt;  <tr> <td>U-42</td> <td>"</td> <td>"</td> <td>V-675</td> <td>122</td> <td>1/2</td> <td>2900</td> <td>1\"/&gt;  <tr> <td>U-43</td> <td>"</td> <td>"</td> <td>V-675</td> <td>122</td> <td>1/2</td> <td>2900</td> <td>1\"/&gt;  <tr> <td>U-44</td> <td>"</td> <td>"</td> <td>V-675</td> <td>122</td> <td>1/2</td> <td>2900</td> <td>1\"/&gt;  <tr> <td>U-45</td> <td>"</td> <td>"</td> <td>V-675</td> <td>122</td> <td>1/2</td> <td>2900</td> <td>1\"/&gt;  <tr> <td>U-46</td> <td>"</td> <td>"</td> <td>V-675</td> <td>122</td> <td>1/2</td> <td>2900</td> <td>1\"/&gt;  <tr> <td>U-47</td> <td>"</td> <td>"</td> <td>V-675</td> <td>122</td> <td>1/2</td> <td>2900</td> <td>1\"/&gt;  <tr> <td>U-48</td> <td>"</td> <td>"</td> <td>V-675</td> <td>122</td> <td>1/2</td> <td>2900</td> <td>1\"/&gt;  <tr> <td>U-49</td> <td>"</td> <td>"</td> <td>V-675</td> <td>122</td> <td>1/2</td> <td>2900</td> <td>1\"/&gt;  <tr> <td>U-50</td> <td>"</td> <td>"</td> <td>V-675</td> <td>122</td> <td>1/2</td> <td>2900</td> <td>1\"/&gt;  </td></tr></td></tr></td></tr></td></tr></td></tr></td></tr></td></tr></td></tr></td></tr></td></tr></td></tr></td></tr></td></tr></td></tr></td></tr></td></tr></td></tr></td></tr></td></tr></td></tr></td></tr></td></tr></td></tr></td></tr></td></tr></td></tr></td></tr></td></tr></td></tr></td></tr></td></tr></td></tr></td></tr></td></tr></td></tr></td></tr></td></tr></td></tr></td></tr></td></tr> | U-11 | " | " | V-675 | 122 | 1/2 | 2900 | 1\"/> <tr> <td>U-12</td> <td>"</td> <td>"</td> <td>V-675</td> <td>122</td> <td>1/2</td> <td>2900</td> <td>1\"/&gt;  <tr> <td>U-13</td> <td>"</td> <td>"</td> <td>V-675</td> <td>122</td> <td>1/2</td> <td>2900</td> <td>1\"/&gt;  <tr> <td>U-14</td> <td>"</td> <td>"</td> <td>V-675</td> <td>122</td> <td>1/2</td> <td>2900</td> <td>1\"/&gt;  <tr> <td>U-15</td> <td>"</td> <td>"</td> <td>V-675</td> <td>122</td> <td>1/2</td> <td>2900</td> <td>1\"/&gt;  <tr> <td>U-16</td> <td>"</td> <td>"</td> <td>V-675</td> <td>122</td> <td>1/2</td> <td>2900</td> <td>1\"/&gt;  <tr> <td>U-17</td> <td>"</td> <td>"</td> <td>V-675</td> <td>122</td> <td>1/2</td> <td>2900</td> <td>1\"/&gt;  <tr> <td>U-18</td> <td>"</td> <td>"</td> <td>V-675</td> <td>122</td> <td>1/2</td> <td>2900</td> <td>1\"/&gt;  <tr> <td>U-19</td> <td>"</td> <td>"</td> <td>V-675</td> <td>122</td> <td>1/2</td> <td>2900</td> <td>1\"/&gt;  <tr> <td>U-20</td> <td>"</td> <td>"</td> <td>V-675</td> <td>122</td> <td>1/2</td> <td>2900</td> <td>1\"/&gt;  <tr> <td>U-21</td> <td>"</td> <td>"</td> <td>V-675</td> <td>122</td> <td>1/2</td> <td>2900</td> <td>1\"/&gt;  <tr> <td>U-22</td> <td>"</td> <td>"</td> <td>V-675</td> <td>122</td> <td>1/2</td> <td>2900</td> <td>1\"/&gt;  <tr> <td>U-23</td> <td>"</td> <td>"</td> <td>V-675</td> <td>122</td> <td>1/2</td> <td>2900</td> <td>1\"/&gt;  <tr> <td>U-24</td> <td>"</td> <td>"</td> <td>V-675</td> <td>122</td> <td>1/2</td> <td>2900</td> <td>1\"/&gt;  <tr> <td>U-25</td> <td>"</td> <td>"</td>
<td>V-675</td> <td>122</td> <td>1/2</td> <td>2900</td> <td>1\"/&gt;  <tr> <td>U-26</td> <td>"</td> <td>"</td> <td>V-675</td> <td>122</td> <td>1/2</td> <td>2900</td> <td>1\"/&gt;  <tr> <td>U-27</td> <td>"</td> <td>"</td> <td>V-675</td> <td>122</td> <td>1/2</td> <td>2900</td> <td>1\"/&gt;  <tr> <td>U-28</td> <td>"</td> <td>"</td> <td>V-675</td> <td>122</td> <td>1/2</td> <td>2900</td> <td>1\"/&gt;  <tr> <td>U-29</td> <td>"</td> <td>"</td> <td>V-675</td> <td>122</td> <td>1/2</td> <td>2900</td> <td>1\"/&gt;  <tr> <td>U-30</td> <td>"</td> <td>"</td> <td>V-675</td> <td>122</td> <td>1/2</td> <td>2900</td> <td>1\"/&gt;  <tr> <td>U-31</td> <td>"</td> <td>"</td> <td>V-675</td> <td>122</td> <td>1/2</td> <td>2900</td> <td>1\"/&gt;  <tr> <td>U-32</td> <td>"</td> <td>"</td> <td>V-675</td> <td>122</td> <td>1/2</td> <td>2900</td> <td>1\"/&gt;  <tr> <td>U-33</td> <td>"</td> <td>"</td> <td>V-675</td> <td>122</td> <td>1/2</td> <td>2900</td> <td>1\"/&gt;  <tr> <td>U-34</td> <td>"</td> <td>"</td> <td>V-675</td> <td>122</td> <td>1/2</td> <td>2900</td> <td>1\"/&gt;  <tr> <td>U-35</td> <td>"</td> <td>"</td> <td>V-675</td> <td>122</td> <td>1/2</td> <td>2900</td> <td>1\"/&gt;  <tr> <td>U-36</td> <td>"</td> <td>"</td> <td>V-675</td> <td>122</td> <td>1/2</td> <td>2900</td> <td>1\"/&gt;  <tr> <td>U-37</td> <td>"</td> <td>"</td> <td>V-675</td> <td>122</td> <td>1/2</td> <td>2900</td> <td>1\"/&gt;  <tr> <td>U-38</td> <td>"</td> <td>"</td> <td>V-675</td> <td>122</td> <td>1/2</td> <td>2900</td> <td>1\"/&gt;  <tr> <td>U-39</td> <td>"</td> <td>"</td> <td>V-675</td> <td>122</td> <td>1/2</td> <td>2900</td> <td>1\"/&gt;  <tr> <td>U-40</td> <td>"</td> <td>"</td> <td>V-675</td> <td>122</td> <td>1/2</td> <td>2900</td> <td>1\"/&gt;  <tr> <td>U-41</td> <td>"</td> <td>"</td> <td>V-675</td> <td>122</td> <td>1/2</td> <td>2900</td> <td>1\"/&gt;  <tr> <td>U-42</td> <td>"</td> <td>"</td> <td>V-675</td> <td>122</td> <td>1/2</td> <td>2900</td> <td>1\"/&gt;  <tr> <td>U-43</td> <td>"</td> <td>"</td> <td>V-675</td> <td>122</td> <td>1/2</td> <td>2900</td> <td>1\"/&gt;  <tr> <td>U-44</td> <td>"</td> <td>"</td> <td>V-675</td> <td>122</td> <td>1/2</td> <td>2900</td> <td>1\"/&gt;  <tr> <td>U-45</td> <td>"</td> <td>"</td> <td>V-675</td> <td>122</td> <td>1/2</td> <td>2900</td> <td>1\"/&gt;  <tr> <td>U-46</td> <td>"</td> <td>"</td> <td>V-675</td> <td>122</td> <td>1/2</td> <td>2900</td> <td>1\"/&gt;  <tr> <td>U-47</td> <td>"</td> <td>"</td> <td>V-675</td> <td>122</td> <td>1/2</td> <td>2900</td> <td>1\"/&gt;  <tr> <td>U-48</td> <td>"</td> <td>"</td> <td>V-675</td> <td>122</td> <td>1/2</td> <td>2900</td> <td>1\"/&gt;  <tr> <td>U-49</td> <td>"</td> <td>"</td> <td>V-675</td> <td>122</td> <td>1/2</td> <td>2900</td> <td>1\"/&gt;  <tr> <td>U-50</td> <td>"</td> <td>"</td> <td>V-675</td> <td>122</td> <td>1/2</td> <td>2900</td> <td>1\"/&gt;  </td></tr></td></tr></td></tr></td></tr></td></tr></td></tr></td></tr></td></tr></td></tr></td></tr></td></tr></td></tr></td></tr></td></tr></td></tr></td></tr></td></tr></td></tr></td></tr></td></tr></td></tr></td></tr></td></tr></td></tr></td></tr></td></tr></td></tr></td></tr></td></tr></td></tr></td></tr></td></tr></td></tr></td></tr></td></tr></td></tr></td></tr></td></tr></td></tr> | U-12 | " | " | V-675 | 122 | 1/2 | 2900 | 1\"/> <tr> <td>U-13</td> <td>"</td> <td>"</td> <td>V-675</td> <td>122</td> <td>1/2</td> <td>2900</td> <td>1\"/&gt;  <tr> <td>U-14</td> <td>"</td> <td>"</td> <td>V-675</td> <td>122</td> <td>1/2</td> <td>2900</td> <td>1\"/&gt;  <tr> <td>U-15</td> <td>"</td> <td>"</td> <td>V-675</td> <td>122</td> <td>1/2</td> <td>2900</td> <td>1\"/&gt;  <tr> <td>U-16</td> <td>"</td> <td>"</td> <td>V-675</td> <td>122</td> <td>1/2</td> <td>2900</td> <td>1\"/&gt;  <tr> <td>U-17</td> <td>"</td> <td>"</td> <td>V-675</td> <td>122</td> <td>1/2</td> <td>2900</td> <td>1\"/&gt;  <tr> <td>U-18</td> <td>"</td> <td>"</td> <td>V-675</td> <td>122</td> <td>1/2</td> <td>2900</td> <td>1\"/&gt;  <tr> <td>U-19</td> <td>"</td> <td>"</td> <td>V-675</td> <td>122</td> <td>1/2</td> <td>2900</td> <td>1\"/&gt;  <tr> <td>U-20</td> <td>"</td> <td>"</td> <td>V-675</td> <td>122</td> <td>1/2</td> <td>2900</td> <td>1\"/&gt;  <tr> <td>U-21</td> <td>"</td> <td>"</td> <td>V-675</td> <td>122</td> <td>1/2</td> <td>2900</td> <td>1\"/&gt;  <tr> <td>U-22</td> <td>"</td> <td>"</td> <td>V-675</td> <td>122</td> <td>1/2</td> <td>2900</td> <td>1\"/&gt;  <tr> <td>U-23</td> <td>"</td> <td>"</td> <td>V-675</td> <td>122</td> <td>1/2</td> <td>2900</td> <td>1\"/&gt;  <tr> <td>U-24</td> <td>"</td> <td>"</td> <td>V-675</td> <td>122</td> <td>1/2</td> <td>2900</td> <td>1\"/&gt;  <tr> <td>U-25</td> <td>"</td> <td>"</td> <td>V-675</td> <td>122</td> <td>1/2</td> <td>2900</td> <td>1\"/&gt;  <tr> <td>U-26</td> <td>"</td> <td>"</td> <td>V-675</td> <td>122</td> <td>1/2</td> <td>2900</td> <td>1\"/&gt;  <tr> <td>U-27</td> <td>"</td> <td>"</td> <td>V-675</td> <td>122</td> <td>1/2</td> <td>2900</td> <td>1\"/&gt;  <tr> <td>U-28</td> <td>"</td> <td>"</td> <td>V-675</td> <td>122</td> <td>1/2</td> <td>2900</td> <td>1\"/&gt;  <tr> <td>U-29</td> <td>"</td> <td>"</td> <td>V-675</td> <td>122</td> <td>1/2</td> <td>2900</td> <td>1\"/&gt;  <tr> <td>U-30</td> <td>"</td> <td>"</td> <td>V-675</td> <td>122</td> <td>1/2</td> <td>2900</td> <td>1\"/&gt;  <tr> <td>U-31</td> <td>"</td> <td>"</td> <td>V-675</td> <td>122</td> <td>1/2</td> <td>2900</td> <td>1\"/&gt;  <tr> <td>U-32</td> <td>"</td> <td>"</td> <td>V-675</td> <td>122</td> <td>1/2</td> <td>2900</td> <td>1\"/&gt;  <tr> <td>U-33</td> <td>"</td> <td>"</td> <td>V-675</td> <td>122</td> <td>1/2</td> <td>2900</td> <td>1\"/&gt;  <tr> <td>U-34</td> <td>"</td> <td>"</td> <td>V-675</td> <td>122</td> <td>1/2</td> <td>2900</td> <td>1\"/&gt;  <tr> <td>U-35</td> <td>"</td> <td>"</td> <td>V-675</td> <td>122</td> <td>1/2</td> <td>2900</td> <td>1\"/&gt;  <tr> <td>U-36</td> <td>"</td> <td>"</td> <td>V-675</td> <td>122</td> <td>1/2</td> <td>2900</td> <td>1\"/&gt;  <tr> <td>U-37</td> <td>"</td> <td>"</td> <td>V-675</td> <td>122</td> <td>1/2</td> <td>2900</td> <td>1\"/&gt;  <tr> <td>U-38</td> <td>"</td> <td>"</td> <td>V-675</td> <td>122</td> <td>1/2</td> <td>2900</td> <td>1\"/&gt;  <tr> <td>U-39</td> <td>"</td> <td>"</td> <td>V-675</td> <td>122</td> <td>1/2</td> <td>2900</td> <td>1\"/&gt;  <tr> <td>U-40</td> <td>"</td> <td>"</td> <td>V-675</td> <td>122</td> <td>1/2</td> <td>2900</td> <td>1\"/&gt;  <tr> <td>U-41</td> <td>"</td> <td>"</td> <td>V-675</td> <td>122</td> <td>1/2</td> <td>2900</td> <td>1\"/&gt;  <tr> <td>U-42</td> <td>"</td> <td>"</td> <td>V-675</td> <td>122</td> <td>1/2</td> <td>2900</td> <td>1\"/&gt;  <tr> <td>U-43</td> <td>"</td> <td>"</td> <td>V-675</td> <td>122</td> <td>1/2</td> <td>2900</td> <td>1\"/&gt;  <tr> <td>U-44</td> <td>"</td> <td>"</td> <td>V-675</td> <td>122</td> <td>1/2</td> <td>2900</td> <td>1\"/&gt;  <tr> <td>U-45</td> <td>"</td> <td>"</td> <td>V-675</td> <td>122</td> <td>1/2</td> <td>2900</td> <td>1\"/&gt;  <tr> <td>U-46</td> <td>"</td> <td>"</td> <td>V-675</td> <td>122</td> <td>1/2</td> <td>2900</td> <td>1\"/&gt;  <tr> <td>U-47</td> <td>"</td> <td>"</td> <td>V-675</td> <td>122</td> <td>1/2</td> <td>2900</td> <td>1\"/&gt;  <tr> <td>U-48</td> <td>"</td> <td>"</td> <td>V-675</td> <td>122</td> <td>1/2</td> <td>2900</td> <td>1\"/&gt;  <tr> <td>U-49</td> <td>"</td> <td>"</td> <td>V-675</td> <td>122</td> <td>1/2</td> <td>2900</td> <td>1\"/&gt;  <tr> <td>U-50</td> <td>"</td> <td>"</td> <td>V-675</td> <td>122</td> <td>1/2</td> <td>2900</td> <td>1\"/&gt;  </td></tr></td></tr></td></tr></td></tr></td></tr></td></tr></td></tr></td></tr></td></tr></td></tr></td></tr></td></tr></td></tr></td></tr></td></tr></td></tr></td></tr></td></tr></td></tr></td></tr></td></tr></td></tr></td></tr></td></tr></td></tr></td></tr></td></tr></td></tr></td></tr></td></tr></td></tr></td></tr></td></tr></td></tr></td></tr></td></tr></td></tr></td></tr> | U-13 | " | " | V-675 | 122 | 1/2 | 2900 | 1\"/> <tr> <td>U-14</td> <td>"</td> <td>"</td> <td>V-675</td> <td>122</td> <td>1/2</td> <td>2900</td> <td>1\"/&gt;  <tr> <td>U-15</td> <td>"</td> <td>"</td> <td>V-675</td> <td>122</td> <td>1/2</td> <td>2900</td> <td>1\"/&gt;  <tr> <td>U-16</td> <td>"</td> <td>"</td> <td>V-675</td> <td>122</td> <td>1/2</td> <td>2900</td> <td>1\"/&gt;  <tr> <td>U-17</td> <td>"</td> <td>"</td> <td>V-675</td> <td>122</td> <td>1/2</td> <td>2900</td> <td>1\"/&gt;  <tr> <td>U-18</td> <td>"</td> <td>"</td> <td>V-675</td> <td>122</td> <td>1/2</td> <td>2900</td> <td>1\"/&gt;  <tr> <td>U-19</td> <td>"</td> <td>"</td> <td>V-675</td> <td>122</td> <td>1/2</td> <td>2900</td> <td>1\"/&gt;  <tr> <td>U-20</td> <td>"</td> <td>"</td> <td>V-675</td> <td>122</td> <td>1/2</td> <td>2900</td> <td>1\"/&gt;  <tr> <td>U-21</td> <td>"</td> <td>"</td> <td>V-675</td> <td>122</td> <td>1/2</td> <td>2900</td> <td>1\"/&gt;  <tr> <td>U-22</td> <td>"</td> <td>"</td> <td>V-675</td> <td>122</td> <td>1/2</td> <td>2900</td> <td>1\"/&gt;  <tr> <td>U-23</td> <td>"</td> <td>"</td> <td>V-675</td> <td>122</td> <td>1/2</td> <td>2900</td> <td>1\"/&gt;  <tr> <td>U-24</td> <td>"</td> <td>"</td> <td>V-675</td> <td>122</td> <td>1/2</td> <td>2900</td> <td>1\"/&gt;  <tr> <td>U-25</td> <td>"</td> <td>"</td> <td>V-675</td> <td>122</td> <td>1/2</td> <td>2900</td> <td>1\"/&gt;  <tr> <td>U-26</td> <td>"</td> <td>"</td> <td>V-675</td> <td>122</td> <td>1/2</td> <td>2900</td> <td>1\"/&gt;  <tr> <td>U-27</td> <td>"</td> <td>"</td> <td>V-675</td> <td>122</td> <td>1/2</td> <td>2900</td> <td>1\"/&gt;  <tr> <td>U-28</td> <td>"</td> <td>"</td> <td>V-675</td> <td>122</td> <td>1/2</td> <td>2900</td> <td>1\"/&gt;  <tr> <td>U-29</td> <td>"</td> <td>"</td> <td>V-675</td> <td>122</td> <td>1/2</td> <td>2900</td> <td>1\"/&gt;  <tr> <td>U-30</td> <td>"</td> <td>"</td> <td>V-675</td> <td>122</td> <td>1/2</td> <td>2900</td> <td>1\"/&gt;  <tr> <td>U-31</td> <td>"</td> <td>"</td> <td>V-675</td> <td>122</td> <td>1/2</td> <td>2900</td> <td>1\"/&gt;  <tr> <td>U-32</td> <td>"</td> <td>"</td> <td>V-675</td> <td>122</td> <td>1/2</td> <td>2900</td> <td>1\"/&gt;  <tr> <td>U-33</td> <td>"</td>
<td>"</td> <td>V-675</td> <td>122</td> <td>1/2</td> <td>2900</td> <td>1\"/&gt;  <tr> <td>U-34</td> <td>"</td> <td>"</td> <td>V-675</td> <td>122</td> <td>1/2</td> <td>2900</td> <td>1\"/&gt;  <tr> <td>U-35</td> <td>"</td> <td>"</td> <td>V-675</td> <td>122</td> <td>1/2</td> <td>2900</td> <td>1\"/&gt;  <tr> <td>U-36</td> <td>"</td> <td>"</td> <td>V-675</td> <td>122</td> <td>1/2</td> <td>2900</td> <td>1\"/&gt;  <tr> <td>U-37</td> <td>"</td> <td>"</td> <td>V-675</td> <td>122</td> <td>1/2</td> <td>2900</td> <td>1\"/&gt;  <tr> <td>U-38</td> <td>"</td> <td>"</td> <td>V-675</td> <td>122</td> <td>1/2</td> <td>2900</td> <td>1\"/&gt;  <tr> <td>U-39</td> <td>"</td> <td>"</td> <td>V-675</td> <td>122</td> <td>1/2</td> <td>2900</td> <td>1\"/&gt;  <tr> <td>U-40</td> <td>"</td> <td>"</td> <td>V-675</td> <td>122</td> <td>1/2</td> <td>2900</td> <td>1\"/&gt;  <tr> <td>U-41</td> <td>"</td> <td>"</td> <td>V-675</td> <td>122</td> <td>1/2</td> <td>2900</td> <td>1\"/&gt;  <tr> <td>U-42</td> <td>"</td> <td>"</td> <td>V-675</td> <td>122</td> <td>1/2</td> <td>2900</td> <td>1\"/&gt;  <tr> <td>U-43</td> <td>"</td> <td>"</td> <td>V-675</td> <td>122</td> <td>1/2</td> <td>2900</td> <td>1\"/&gt;  <tr> <td>U-44</td> <td>"</td> <td>"</td> <td>V-675</td> <td>122</td> <td>1/2</td> <td>2900</td> <td>1\"/&gt;  <tr> <td>U-45</td> <td>"</td> <td>"</td> <td>V-675</td> <td>122</td> <td>1/2</td> <td>2900</td> <td>1\"/&gt;  <tr> <td>U-46</td> <td>"</td> <td>"</td> <td>V-675</td> <td>122</td> <td>1/2</td> <td>2900</td> <td>1\"/&gt;  <tr> <td>U-47</td> <td>"</td> <td>"</td> <td>V-675</td> <td>122</td> <td>1/2</td> <td>2900</td> <td>1\"/&gt;  <tr> <td>U-48</td> <td>"</td> <td>"</td> <td>V-675</td> <td>122</td> <td>1/2</td> <td>2900</td> <td>1\"/&gt;  <tr> <td>U-49</td> <td>"</td> <td>"</td> <td>V-675</td> <td>122</td> <td>1/2</td> <td>2900</td> <td>1\"/&gt;  <tr> <td>U-50</td> <td>"</td> <td>"</td> <td>V-675</td> <td>122</td> <td>1/2</td> <td>2900</td> <td>1\"/&gt;  </td></tr></td></tr></td></tr></td></tr></td></tr></td></tr></td></tr></td></tr></td></tr></td></tr></td></tr></td></tr></td></tr></td></tr></td></tr></td></tr></td></tr></td></tr></td></tr></td></tr></td></tr></td></tr></td></tr></td></tr></td></tr></td></tr></td></tr></td></tr></td></tr></td></tr></td></tr></td></tr></td></tr></td></tr></td></tr></td></tr></td></tr> | U-14 | " | " | V-675 | 122 | 1/2 | 2900 | 1\"/> <tr> <td>U-15</td> <td>"</td> <td>"</td> <td>V-675</td> <td>122</td> <td>1/2</td> <td>2900</td> <td>1\"/&gt;  <tr> <td>U-16</td> <td>"</td> <td>"</td> <td>V-675</td> <td>122</td> <td>1/2</td> <td>2900</td> <td>1\"/&gt;  <tr> <td>U-17</td> <td>"</td> <td>"</td> <td>V-675</td> <td>122</td> <td>1/2</td> <td>2900</td> <td>1\"/&gt;  <tr> <td>U-18</td> <td>"</td> <td>"</td> <td>V-675</td> <td>122</td> <td>1/2</td> <td>2900</td> <td>1\"/&gt;  <tr> <td>U-19</td> <td>"</td> <td>"</td> <td>V-675</td> <td>122</td> <td>1/2</td> <td>2900</td> <td>1\"/&gt;  <tr> <td>U-20</td> <td>"</td> <td>"</td> <td>V-675</td> <td>122</td> <td>1/2</td> <td>2900</td> <td>1\"/&gt;  <tr> <td>U-21</td> <td>"</td> <td>"</td> <td>V-675</td> <td>122</td> <td>1/2</td> <td>2900</td> <td>1\"/&gt;  <tr> <td>U-22</td> <td>"</td> <td>"</td> <td>V-675</td> <td>122</td> <td>1/2</td> <td>2900</td> <td>1\"/&gt;  <tr> <td>U-23</td> <td>"</td> <td>"</td> <td>V-675</td> <td>122</td> <td>1/2</td> <td>2900</td> <td>1\"/&gt;  <tr> <td>U-24</td> <td>"</td> <td>"</td> <td>V-675</td> <td>122</td> <td>1/2</td> <td>2900</td> <td>1\"/&gt;  <tr> <td>U-25</td> <td>"</td> <td>"</td> <td>V-675</td> <td>122</td> <td>1/2</td> <td>2900</td> <td>1\"/&gt;  <tr> <td>U-26</td> <td>"</td> <td>"</td> <td>V-675</td> <td>122</td> <td>1/2</td> <td>2900</td> <td>1\"/&gt;  <tr> <td>U-27</td> <td>"</td> <td>"</td> <td>V-675</td> <td>122</td> <td>1/2</td> <td>2900</td> <td>1\"/&gt;  <tr> <td>U-28</td> <td>"</td> <td>"</td> <td>V-675</td> <td>122</td> <td>1/2</td> <td>2900</td> <td>1\"/&gt;  <tr> <td>U-29</td> <td>"</td> <td>"</td> <td>V-675</td> <td>122</td> <td>1/2</td> <td>2900</td> <td>1\"/&gt;  <tr> <td>U-30</td> <td>"</td> <td>"</td> <td>V-675</td> <td>122</td> <td>1/2</td> <td>2900</td> <td>1\"/&gt;  <tr> <td>U-31</td> <td>"</td> <td>"</td> <td>V-675</td> <td>122</td> <td>1/2</td> <td>2900</td> <td>1\"/&gt;  <tr> <td>U-32</td> <td>"</td> <td>"</td> <td>V-675</td> <td>122</td> <td>1/2</td> <td>2900</td> <td>1\"/&gt;  <tr> <td>U-33</td> <td>"</td> <td>"</td> <td>V-675</td> <td>122</td> <td>1/2</td> <td>2900</td> <td>1\"/&gt;  <tr> <td>U-34</td> <td>"</td> <td>"</td> <td>V-675</td> <td>122</td> <td>1/2</td> <td>2900</td> <td>1\"/&gt;  <tr> <td>U-35</td> <td>"</td> <td>"</td> <td>V-675</td> <td>122</td> <td>1/2</td> <td>2900</td> <td>1\"/&gt;  <tr> <td>U-36</td> <td>"</td> <td>"</td> <td>V-675</td> <td>122</td> <td>1/2</td> <td>2900</td> <td>1\"/&gt;  <tr> <td>U-37</td> <td>"</td> <td>"</td> <td>V-675</td> <td>122</td> <td>1/2</td> <td>2900</td> <td>1\"/&gt;  <tr> <td>U-38</td> <td>"</td> <td>"</td> <td>V-675</td> <td>122</td> <td>1/2</td> <td>2900</td> <td>1\"/&gt;  <tr> <td>U-39</td> <td>"</td> <td>"</td> <td>V-675</td> <td>122</td> <td>1/2</td> <td>2900</td> <td>1\"/&gt;  <tr> <td>U-40</td> <td>"</td> <td>"</td> <td>V-675</td> <td>122</td> <td>1/2</td> <td>2900</td> <td>1\"/&gt;  <tr> <td>U-41</td> <td>"</td> <td>"</td> <td>V-675</td> <td>122</td> <td>1/2</td> <td>2900</td> <td>1\"/&gt;  <tr> <td>U-42</td> <td>"</td> <td>"</td> <td>V-675</td> <td>122</td> <td>1/2</td> <td>2900</td> <td>1\"/&gt;  <tr> <td>U-43</td> <td>"</td> <td>"</td> <td>V-675</td> <td>122</td> <td>1/2</td> <td>2900</td> <td>1\"/&gt;  <tr> <td>U-44</td> <td>"</td> <td>"</td> <td>V-675</td> <td>122</td> <td>1/2</td> <td>2900</td> <td>1\"/&gt;  <tr> <td>U-45</td> <td>"</td> <td>"</td> <td>V-675</td> <td>122</td> <td>1/2</td> <td>2900</td> <td>1\"/&gt;  <tr> <td>U-46</td> <td>"</td> <td>"</td> <td>V-675</td> <td>122</td> <td>1/2</td> <td>2900</td> <td>1\"/&gt;  <tr> <td>U-47</td> <td>"</td> <td>"</td> <td>V-675</td> <td>122</td> <td>1/2</td> <td>2900</td> <td>1\"/&gt;  <tr> <td>U-48</td> <td>"</td> <td>"</td> <td>V-675</td> <td>122</td> <td>1/2</td> <td>2900</td> <td>1\"/&gt;  <tr> <td>U-49</td> <td>"</td> <td>"</td> <td>V-675</td> <td>122</td> <td>1/2</td> <td>2900</td> <td>1\"/&gt;  <tr> <td>U-50</td> <td>"</td> <td>"</td> <td>V-675</td> <td>122</td> <td>1/2</td> <td>2900</td> <td>1\"/&gt;  </td></tr></td></tr></td></tr></td></tr></td></tr></td></tr></td></tr></td></tr></td></tr></td></tr></td></tr></td></tr></td></tr></td></tr></td></tr></td></tr></td></tr></td></tr></td></tr></td></tr></td></tr></td></tr></td></tr></td></tr></td></tr></td></tr></td></tr></td></tr></td></tr></td></tr></td></tr></td></tr></td></tr></td></tr></td></tr></td></tr> | U-15 | " | " | V-675 | 122 | 1/2 | 2900 | 1\"/> <tr> <td>U-16</td> <td>"</td> <td>"</td> <td>V-675</td> <td>122</td> <td>1/2</td> <td>2900</td> <td>1\"/&gt;  <tr> <td>U-17</td> <td>"</td> <td>"</td> <td>V-675</td> <td>122</td> <td>1/2</td> <td>2900</td> <td>1\"/&gt;  <tr> <td>U-18</td> <td>"</td> <td>"</td> <td>V-675</td> <td>122</td> <td>1/2</td> <td>2900</td> <td>1\"/&gt;  <tr> <td>U-19</td> <td>"</td> <td>"</td> <td>V-675</td> <td>122</td> <td>1/2</td> <td>2900</td> <td>1\"/&gt;  <tr> <td>U-20</td> <td>"</td> <td>"</td> <td>V-675</td> <td>122</td> <td>1/2</td> <td>2900</td> <td>1\"/&gt;  <tr> <td>U-21</td> <td>"</td> <td>"</td> <td>V-675</td> <td>122</td> <td>1/2</td> <td>2900</td> <td>1\"/&gt;  <tr> <td>U-22</td> <td>"</td> <td>"</td> <td>V-675</td> <td>122</td> <td>1/2</td> <td>2900</td> <td>1\"/&gt;  <tr> <td>U-23</td> <td>"</td> <td>"</td> <td>V-675</td> <td>122</td> <td>1/2</td> <td>2900</td> <td>1\"/&gt;  <tr> <td>U-24</td> <td>"</td> <td>"</td> <td>V-675</td> <td>122</td> <td>1/2</td> <td>2900</td> <td>1\"/&gt;  <tr> <td>U-25</td> <td>"</td> <td>"</td> <td>V-675</td> <td>122</td> <td>1/2</td> <td>2900</td> <td>1\"/&gt;  <tr> <td>U-26</td> <td>"</td> <td>"</td> <td>V-675</td> <td>122</td> <td>1/2</td> <td>2900</td> <td>1\"/&gt;  <tr> <td>U-27</td> <td>"</td> <td>"</td> <td>V-675</td> <td>122</td> <td>1/2</td> <td>2900</td> <td>1\"/&gt;  <tr> <td>U-28</td> <td>"</td> <td>"</td> <td>V-675</td> <td>122</td> <td>1/2</td> <td>2900</td> <td>1\"/&gt;  <tr> <td>U-29</td> <td>"</td> <td>"</td> <td>V-675</td> <td>122</td> <td>1/2</td> <td>2900</td> <td>1\"/&gt;  <tr> <td>U-30</td> <td>"</td> <td>"</td> <td>V-675</td> <td>122</td> <td>1/2</td> <td>2900</td> <td>1\"/&gt;  <tr> <td>U-31</td> <td>"</td> <td>"</td> <td>V-675</td> <td>122</td> <td>1/2</td> <td>2900</td> <td>1\"/&gt;  <tr> <td>U-32</td> <td>"</td> <td>"</td> <td>V-675</td> <td>122</td> <td>1/2</td> <td>2900</td> <td>1\"/&gt;  <tr> <td>U-33</td> <td>"</td> <td>"</td> <td>V-675</td> <td>122</td> <td>1/2</td> <td>2900</td> <td>1\"/&gt;  <tr> <td>U-34</td> <td>"</td> <td>"</td> <td>V-675</td> <td>122</td> <td>1/2</td> <td>2900</td> <td>1\"/&gt;  <tr> <td>U-35</td> <td>"</td> <td>"</td> <td>V-675</td> <td>122</td> <td>1/2</td> <td>2900</td> <td>1\"/&gt;  <tr> <td>U-36</td> <td>"</td> <td>"</td> <td>V-675</td> <td>122</td> <td>1/2</td> <td>2900</td> <td>1\"/&gt;  <tr> <td>U-37</td> <td>"</td> <td>"</td> <td>V-675</td> <td>122</td> <td>1/2</td> <td>2900</td> <td>1\"/&gt;  <tr> <td>U-38</td> <td>"</td> <td>"</td> <td>V-675</td> <td>122</td> <td>1/2</td> <td>2900</td> <td>1\"/&gt;  <tr> <td>U-39</td> <td>"</td> <td>"</td> <td>V-675</td> <td>122</td> <td>1/2</td> <td>2900</td> <td>1\"/&gt;  <tr> <td>U-40</td> <td>"</td> <td>"</td> <td>V-675</td> <td>122</td> <td>1/2</td> <td>2900</td> <td>1\"/&gt;  <tr> <td>U-41</td> <td>"</td> <td>"</td> <td>V-675</td> <td>122</td> <td>1/2</td> <td>2900</td> <td>1\"/&gt;  <tr> <td>U-42</td> <td>"</td> <td>"</td> <td>V-675</td> <td>122</td> <td>1/2</td> <td>2900</td> <td>1\"/&gt;  <tr> <td>U-43</td> <td>"</td> <td>"</td> <td>V-675</td> <td>122</td> <td>1/2</td> <td>2900</td> <td>1\"/&gt;  <tr> <td>U-44</td> <td>"</td> <td>"</td> <td>V-675</td> <td>122</td> <td>1/2</td> <td>2900</td> <td>1\"/&gt;  <tr> <td>U-45</td> <td>"</td> <td>"</td> <td>V-675</td>
<td>122</td> <td>1/2</td> <td>2900</td> <td>1\"/&gt;  <tr> <td>U-46</td> <td>"</td> <td>"</td> <td>V-675</td> <td>122</td> <td>1/2</td> <td>2900</td> <td>1\"/&gt;  <tr> <td>U-47</td> <td>"</td> <td>"</td> <td>V-675</td> <td>122</td> <td>1/2</td> <td>2900</td> <td>1\"/&gt;  <tr> <td>U-48</td> <td>"</td> <td>"</td> <td>V-675</td> <td>122</td> <td>1/2</td> <td>2900</td> <td>1\"/&gt;  <tr> <td>U-49</td> <td>"</td> <td>"</td> <td>V-675</td> <td>122</td> <td>1/2</td> <td>2900</td> <td>1\"/&gt;  <tr> <td>U-50</td> <td>"</td> <td>"</td> <td>V-675</td> <td>122</td> <td>1/2</td> <td>2900</td> <td>1\"/&gt;  </td></tr></td></tr></td></tr></td></tr></td></tr></td></tr></td></tr></td></tr></td></tr></td></tr></td></tr></td></tr></td></tr></td></tr></td></tr></td></tr></td></tr></td></tr></td></tr></td></tr></td></tr></td></tr></td></tr></td></tr></td></tr></td></tr></td></tr></td></tr></td></tr></td></tr></td></tr></td></tr></td></tr></td></tr></td></tr> | U-16 | " | " | V-675 | 122 | 1/2 | 2900 | 1\"/> <tr> <td>U-17</td> <td>"</td> <td>"</td> <td>V-675</td> <td>122</td> <td>1/2</td> <td>2900</td> <td>1\"/&gt;  <tr> <td>U-18</td> <td>"</td> <td>"</td> <td>V-675</td> <td>122</td> <td>1/2</td> <td>2900</td> <td>1\"/&gt;  <tr> <td>U-19</td> <td>"</td> <td>"</td> <td>V-675</td> <td>122</td> <td>1/2</td> <td>2900</td> <td>1\"/&gt;  <tr> <td>U-20</td> <td>"</td> <td>"</td> <td>V-675</td> <td>122</td> <td>1/2</td> <td>2900</td> <td>1\"/&gt;  <tr> <td>U-21</td> <td>"</td> <td>"</td> <td>V-675</td> <td>122</td> <td>1/2</td> <td>2900</td> <td>1\"/&gt;  <tr> <td>U-22</td> <td>"</td> <td>"</td> <td>V-675</td> <td>122</td> <td>1/2</td> <td>2900</td> <td>1\"/&gt;  <tr> <td>U-23</td> <td>"</td> <td>"</td> <td>V-675</td> <td>122</td> <td>1/2</td> <td>2900</td> <td>1\"/&gt;  <tr> <td>U-24</td> <td>"</td> <td>"</td> <td>V-675</td> <td>122</td> <td>1/2</td> <td>2900</td> <td>1\"/&gt;  <tr> <td>U-25</td> <td>"</td> <td>"</td> <td>V-675</td> <td>122</td> <td>1/2</td> <td>2900</td> <td>1\"/&gt;  <tr> <td>U-26</td> <td>"</td> <td>"</td> <td>V-675</td> <td>122</td> <td>1/2</td> <td>2900</td> <td>1\"/&gt;  <tr> <td>U-27</td> <td>"</td> <td>"</td> <td>V-675</td> <td>122</td> <td>1/2</td> <td>2900</td> <td>1\"/&gt;  <tr> <td>U-28</td> <td>"</td> <td>"</td> <td>V-675</td> <td>122</td> <td>1/2</td> <td>2900</td> <td>1\"/&gt;  <tr> <td>U-29</td> <td>"</td> <td>"</td> <td>V-675</td> <td>122</td> <td>1/2</td> <td>2900</td> <td>1\"/&gt;  <tr> <td>U-30</td> <td>"</td> <td>"</td> <td>V-675</td> <td>122</td> <td>1/2</td> <td>2900</td> <td>1\"/&gt;  <tr> <td>U-31</td> <td>"</td> <td>"</td> <td>V-675</td> <td>122</td> <td>1/2</td> <td>2900</td> <td>1\"/&gt;  <tr> <td>U-32</td> <td>"</td> <td>"</td> <td>V-675</td> <td>122</td> <td>1/2</td> <td>2900</td> <td>1\"/&gt;  <tr> <td>U-33</td> <td>"</td> <td>"</td> <td>V-675</td> <td>122</td> <td>1/2</td> <td>2900</td> <td>1\"/&gt;  <tr> <td>U-34</td> <td>"</td> <td>"</td> <td>V-675</td> <td>122</td> <td>1/2</td> <td>2900</td> <td>1\"/&gt;  <tr> <td>U-35</td> <td>"</td> <td>"</td> <td>V-675</td> <td>122</td> <td>1/2</td> <td>2900</td> <td>1\"/&gt;  <tr> <td>U-36</td> <td>"</td> <td>"</td> <td>V-675</td> <td>122</td> <td>1/2</td> <td>2900</td> <td>1\"/&gt;  <tr> <td>U-37</td> <td>"</td> <td>"</td> <td>V-675</td> <td>122</td> <td>1/2</td> <td>2900</td> <td>1\"/&gt;  <tr> <td>U-38</td> <td>"</td> <td>"</td> <td>V-675</td> <td>122</td> <td>1/2</td> <td>2900</td> <td>1\"/&gt;  <tr> <td>U-39</td> <td>"</td> <td>"</td> <td>V-675</td> <td>122</td> <td>1/2</td> <td>2900</td> <td>1\"/&gt;  <tr> <td>U-40</td> <td>"</td> <td>"</td> <td>V-675</td> <td>122</td> <td>1/2</td> <td>2900</td> <td>1\"/&gt;  <tr> <td>U-41</td> <td>"</td> <td>"</td> <td>V-675</td> <td>122</td> <td>1/2</td> <td>2900</td> <td>1\"/&gt;  <tr> <td>U-42</td> <td>"</td> <td>"</td> <td>V-675</td> <td>122</td> <td>1/2</td> <td>2900</td> <td>1\"/&gt;  <tr> <td>U-43</td> <td>"</td> <td>"</td> <td>V-675</td> <td>122</td> <td>1/2</td> <td>2900</td> <td>1\"/&gt;  <tr> <td>U-44</td> <td>"</td> <td>"</td> <td>V-675</td> <td>122</td> <td>1/2</td> <td>2900</td> <td>1\"/&gt;  <tr> <td>U-45</td> <td>"</td> <td>"</td> <td>V-675</td> <td>122</td> <td>1/2</td> <td>2900</td> <td>1\"/&gt;  <tr> <td>U-46</td> <td>"</td> <td>"</td> <td>V-675</td> <td>122</td> <td>1/2</td> <td>2900</td> <td>1\"/&gt;  <tr> <td>U-47</td> <td>"</td> <td>"</td> <td>V-675</td> <td>122</td> <td>1/2</td> <td>2900</td> <td>1\"/&gt;  <tr> <td>U-48</td> <td>"</td> <td>"</td> <td>V-675</td> <td>122</td> <td>1/2</td> <td>2900</td> <td>1\"/&gt;  <tr> <td>U-49</td> <td>"</td> <td>"</td> <td>V-675</td> <td>122</td> <td>1/2</td> <td>2900</td> <td>1\"/&gt;  <tr> <td>U-50</td> <td>"</td> <td>"</td> <td>V-675</td> <td>122</td> <td>1/2</td> <td>2900</td> <td>1\"/&gt;  </td></tr></td></tr></td></tr></td></tr></td></tr></td></tr></td></tr></td></tr></td></tr></td></tr></td></tr></td></tr></td></tr></td></tr></td></tr></td></tr></td></tr></td></tr></td></tr></td></tr></td></tr></td></tr></td></tr></td></tr></td></tr></td></tr></td></tr></td></tr></td></tr></td></tr></td></tr></td></tr></td></tr></td></tr> | U-17 | " | " | V-675 | 122 | 1/2 | 2900 | 1\"/> <tr> <td>U-18</td> <td>"</td> <td>"</td> <td>V-675</td> <td>122</td> <td>1/2</td> <td>2900</td> <td>1\"/&gt;  <tr> <td>U-19</td> <td>"</td> <td>"</td> <td>V-675</td> <td>122</td> <td>1/2</td> <td>2900</td> <td>1\"/&gt;  <tr> <td>U-20</td> <td>"</td> <td>"</td> <td>V-675</td> <td>122</td> <td>1/2</td> <td>2900</td> <td>1\"/&gt;  <tr> <td>U-21</td> <td>"</td> <td>"</td> <td>V-675</td> <td>122</td> <td>1/2</td> <td>2900</td> <td>1\"/&gt;  <tr> <td>U-22</td> <td>"</td> <td>"</td> <td>V-675</td> <td>122</td> <td>1/2</td> <td>2900</td> <td>1\"/&gt;  <tr> <td>U-23</td> <td>"</td> <td>"</td> <td>V-675</td> <td>122</td> <td>1/2</td> <td>2900</td> <td>1\"/&gt;  <tr> <td>U-24</td> <td>"</td> <td>"</td> <td>V-675</td> <td>122</td> <td>1/2</td> <td>2900</td> <td>1\"/&gt;  <tr> <td>U-25</td> <td>"</td> <td>"</td> <td>V-675</td> <td>122</td> <td>1/2</td> <td>2900</td> <td>1\"/&gt;  <tr> <td>U-26</td> <td>"</td> <td>"</td> <td>V-675</td> <td>122</td> <td>1/2</td> <td>2900</td> <td>1\"/&gt;  <tr> <td>U-27</td> <td>"</td> <td>"</td> <td>V-675</td> <td>122</td> <td>1/2</td> <td>2900</td> <td>1\"/&gt;  <tr> <td>U-28</td> <td>"</td> <td>"</td> <td>V-675</td> <td>122</td> <td>1/2</td> <td>2900</td> <td>1\"/&gt;  <tr> <td>U-29</td> <td>"</td> <td>"</td> <td>V-675</td> <td>122</td> <td>1/2</td> <td>2900</td> <td>1\"/&gt;  <tr> <td>U-30</td> <td>"</td> <td>"</td> <td>V-675</td> <td>122</td> <td>1/2</td> <td>2900</td> <td>1\"/&gt;  <tr> <td>U-31</td> <td>"</td> <td>"</td> <td>V-675</td> <td>122</td> <td>1/2</td> <td>2900</td> <td>1\"/&gt;  <tr> <td>U-32</td> <td>"</td> <td>"</td> <td>V-675</td> <td>122</td> <td>1/2</td> <td>2900</td> <td>1\"/&gt;  <tr> <td>U-33</td> <td>"</td> <td>"</td> <td>V-675</td> <td>122</td> <td>1/2</td> <td>2900</td> <td>1\"/&gt;  <tr> <td>U-34</td> <td>"</td> <td>"</td> <td>V-675</td> <td>122</td> <td>1/2</td> <td>2900</td> <td>1\"/&gt;  <tr> <td>U-35</td> <td>"</td> <td>"</td> <td>V-675</td> <td>122</td> <td>1/2</td> <td>2900</td> <td>1\"/&gt;  <tr> <td>U-36</td> <td>"</td> <td>"</td> <td>V-675</td> <td>122</td> <td>1/2</td> <td>2900</td> <td>1\"/&gt;  <tr> <td>U-37</td> <td>"</td> <td>"</td> <td>V-675</td> <td>122</td> <td>1/2</td> <td>2900</td> <td>1\"/&gt;  <tr> <td>U-38</td> <td>"</td> <td>"</td> <td>V-675</td> <td>122</td> <td>1/2</td> <td>2900</td> <td>1\"/&gt;  <tr> <td>U-39</td> <td>"</td> <td>"</td> <td>V-675</td> <td>122</td> <td>1/2</td> <td>2900</td> <td>1\"/&gt;  <tr> <td>U-40</td> <td>"</td> <td>"</td> <td>V-675</td> <td>122</td> <td>1/2</td> <td>2900</td> <td>1\"/&gt;  <tr> <td>U-41</td> <td>"</td> <td>"</td> <td>V-675</td> <td>122</td> <td>1/2</td> <td>2900</td> <td>1\"/&gt;  <tr> <td>U-42</td> <td>"</td> <td>"</td> <td>V-675</td> <td>122</td> <td>1/2</td> <td>2900</td> <td>1\"/&gt;  <tr> <td>U-43</td> <td>"</td> <td>"</td> <td>V-675</td> <td>122</td> <td>1/2</td> <td>2900</td> <td>1\"/&gt;  <tr> <td>U-44</td> <td>"</td> <td>"</td> <td>V-675</td> <td>122</td> <td>1/2</td> <td>2900</td> <td>1\"/&gt;  <tr> <td>U-45</td> <td>"</td> <td>"</td> <td>V-675</td> <td>122</td> <td>1/2</td> <td>2900</td> <td>1\"/&gt;  <tr> <td>U-46</td> <td>"</td> <td>"</td> <td>V-675</td> <td>122</td> <td>1/2</td> <td>2900</td> <td>1\"/&gt;  <tr> <td>U-47</td> <td>"</td> <td>"</td> <td>V-675</td> <td>122</td> <td>1/2</td> <td>2900</td> <td>1\"/&gt;  <tr> <td>U-48</td> <td>"</td> <td>"</td> <td>V-675</td> <td>122</td> <td>1/2</td> <td>2900</td> <td>1\"/&gt;  <tr> <td>U-49</td> <td>"</td> <td>"</td> <td>V-675</td> <td>122</td> <td>1/2</td> <td>2900</td> <td>1\"/&gt;  <tr> <td>U-50</td> <td>"</td> <td>"</td> <td>V-675</td> <td>122</td> <td>1/2</td> <td>2900</td> <td>1\"/&gt;  </td></tr></td></tr></td></tr></td></tr></td></tr></td></tr></td></tr></td></tr></td></tr></td></tr></td></tr></td></tr></td></tr></td></tr></td></tr></td></tr></td></tr></td></tr></td></tr></td></tr></td></tr></td></tr></td></tr></td></tr></td></tr></td></tr></td></tr></td></tr></td></tr></td></tr></td></tr></td></tr></td></tr> | U-18 | " | " | V-675 | 122 | 1/2 | 2900 | 1\"/> <tr> <td>U-19</td> <td>"</td> <td>"</td> <td>V-675</td> <td>122</td> <td>1/2</td> <td>2900</td> <td>1\"/&gt;  <tr> <td>U-20</td> <td>"</td> <td>"</td> <td>V-675</td> <td>122</td> <td>1/2</td> <td>2900</td> <td>1\"/&gt;  <tr> <td>U-21</td> <td>"</td> <td>"</td> <td>V-675</td> <td>122</td> <td>1/2</td> <td>2900</td> <td>1\"/&gt;  <tr> <td>U-22</td> <td>"</td> <td>"</td> <td>V-675</td> <td>122</td> <td>1/2</td> <td>2900</td> <td>1\"/&gt;  <tr> <td>U-23</td> <td>"</td> <td>"</td> <td>V-675</td> <td>122</td> <td>1/2</td> <td>2900</td> <td>1\"/&gt;  <tr> <td>U-24</td> <td>"</td> <td>"</td> <td>V-675</td> <td>122</td> <td>1/2</td> <td>2900</td> <td>1\"/&gt;  <tr> <td>U-25</td> <td>"</td> <td>"</td> <td>V-675</td> <td>122</td> <td>1/2</td> <td>2900</td> <td>1\"/&gt;  <tr> <td>U-26</td> <td>"</td> <td>"</td> <td>V-675</td> <td>122</td> <td>1/2</td>
<td>2900</td> <td>1\"/&gt;  <tr> <td>U-27</td> <td>"</td> <td>"</td> <td>V-675</td> <td>122</td> <td>1/2</td> <td>2900</td> <td>1\"/&gt;  <tr> <td>U-28</td> <td>"</td> <td>"</td> <td>V-675</td> <td>122</td> <td>1/2</td> <td>2900</td> <td>1\"/&gt;  <tr> <td>U-29</td> <td>"</td> <td>"</td> <td>V-675</td> <td>122</td> <td>1/2</td> <td>2900</td> <td>1\"/&gt;  <tr> <td>U-30</td> <td>"</td> <td>"</td> <td>V-675</td> <td>122</td> <td>1/2</td> <td>2900</td> <td>1\"/&gt;  <tr> <td>U-31</td> <td>"</td> <td>"</td> <td>V-675</td> <td>122</td> <td>1/2</td> <td>2900</td> <td>1\"/&gt;  <tr> <td>U-32</td> <td>"</td> <td>"</td> <td>V-675</td> <td>122</td> <td>1/2</td> <td>2900</td> <td>1\"/&gt;  <tr> <td>U-33</td> <td>"</td> <td>"</td> <td>V-675</td> <td>122</td> <td>1/2</td> <td>2900</td> <td>1\"/&gt;  <tr> <td>U-34</td> <td>"</td> <td>"</td> <td>V-675</td> <td>122</td> <td>1/2</td> <td>2900</td> <td>1\"/&gt;  <tr> <td>U-35</td> <td>"</td> <td>"</td> <td>V-675</td> <td>122</td> <td>1/2</td> <td>2900</td> <td>1\"/&gt;  <tr> <td>U-36</td> <td>"</td> <td>"</td> <td>V-675</td> <td>122</td> <td>1/2</td> <td>2900</td> <td>1\"/&gt;  <tr> <td>U-37</td> <td>"</td> <td>"</td> <td>V-675</td> <td>122</td> <td>1/2</td> <td>2900</td> <td>1\"/&gt;  <tr> <td>U-38</td> <td>"</td> <td>"</td> <td>V-675</td> <td>122</td> <td>1/2</td> <td>2900</td> <td>1\"/&gt;  <tr> <td>U-39</td> <td>"</td> <td>"</td> <td>V-675</td> <td>122</td> <td>1/2</td> <td>2900</td> <td>1\"/&gt;  <tr> <td>U-40</td> <td>"</td> <td>"</td> <td>V-675</td> <td>122</td> <td>1/2</td> <td>2900</td> <td>1\"/&gt;  <tr> <td>U-41</td> <td>"</td> <td>"</td> <td>V-675</td> <td>122</td> <td>1/2</td> <td>2900</td> <td>1\"/&gt;  <tr> <td>U-42</td> <td>"</td> <td>"</td> <td>V-675</td> <td>122</td> <td>1/2</td> <td>2900</td> <td>1\"/&gt;  <tr> <td>U-43</td> <td>"</td> <td>"</td> <td>V-675</td> <td>122</td> <td>1/2</td> <td>2900</td> <td>1\"/&gt;  <tr> <td>U-44</td> <td>"</td> <td>"</td> <td>V-675</td> <td>122</td> <td>1/2</td> <td>2900</td> <td>1\"/&gt;  <tr> <td>U-45</td> <td>"</td> <td>"</td> <td>V-675</td> <td>122</td> <td>1/2</td> <td>2900</td> <td>1\"/&gt;  <tr> <td>U-46</td> <td>"</td> <td>"</td> <td>V-675</td> <td>122</td> <td>1/2</td> <td>2900</td> <td>1\"/&gt;  <tr> <td>U-47</td> <td>"</td> <td>"</td> <td>V-675</td> <td>122</td> <td>1/2</td> <td>2900</td> <td>1\"/&gt;  <tr> <td>U-48</td> <td>"</td> <td>"</td> <td>V-675</td> <td>122</td> <td>1/2</td> <td>2900</td> <td>1\"/&gt;  <tr> <td>U-49</td> <td>"</td> <td>"</td> <td>V-675</td> <td>122</td> <td>1/2</td> <td>2900</td> <td>1\"/&gt;  <tr> <td>U-50</td> <td>"</td> <td>"</td> <td>V-675</td> <td>122</td> <td>1/2</td> <td>2900</td> <td>1\"/&gt;  </td></tr></td></tr></td></tr></td></tr></td></tr></td></tr></td></tr></td></tr></td></tr></td></tr></td></tr></td></tr></td></tr></td></tr></td></tr></td></tr></td></tr></td></tr></td></tr></td></tr></td></tr></td></tr></td></tr></td></tr></td></tr></td></tr></td></tr></td></tr></td></tr></td></tr></td></tr></td></tr> | U-19 | " | " | V-675 | 122 | 1/2 | 2900 | 1\"/> <tr> <td>U-20</td> <td>"</td> <td>"</td> <td>V-675</td> <td>122</td> <td>1/2</td> <td>2900</td> <td>1\"/&gt;  <tr> <td>U-21</td> <td>"</td> <td>"</td> <td>V-675</td> <td>122</td> <td>1/2</td> <td>2900</td> <td>1\"/&gt;  <tr> <td>U-22</td> <td>"</td> <td>"</td> <td>V-675</td> <td>122</td> <td>1/2</td> <td>2900</td> <td>1\"/&gt;  <tr> <td>U-23</td> <td>"</td> <td>"</td> <td>V-675</td> <td>122</td> <td>1/2</td> <td>2900</td> <td>1\"/&gt;  <tr> <td>U-24</td> <td>"</td> <td>"</td> <td>V-675</td> <td>122</td> <td>1/2</td> <td>2900</td> <td>1\"/&gt;  <tr> <td>U-25</td> <td>"</td> <td>"</td> <td>V-675</td> <td>122</td> <td>1/2</td> <td>2900</td> <td>1\"/&gt;  <tr> <td>U-26</td> <td>"</td> <td>"</td> <td>V-675</td> <td>122</td> <td>1/2</td> <td>2900</td> <td>1\"/&gt;  <tr> <td>U-27</td> <td>"</td> <td>"</td> <td>V-675</td> <td>122</td> <td>1/2</td> <td>2900</td> <td>1\"/&gt;  <tr> <td>U-28</td> <td>"</td> <td>"</td> <td>V-675</td> <td>122</td> <td>1/2</td> <td>2900</td> <td>1\"/&gt;  <tr> <td>U-29</td> <td>"</td> <td>"</td> <td>V-675</td> <td>122</td> <td>1/2</td> <td>2900</td> <td>1\"/&gt;  <tr> <td>U-30</td> <td>"</td> <td>"</td> <td>V-675</td> <td>122</td> <td>1/2</td> <td>2900</td> <td>1\"/&gt;  <tr> <td>U-31</td> <td>"</td> <td>"</td> <td>V-675</td> <td>122</td> <td>1/2</td> <td>2900</td> <td>1\"/&gt;  <tr> <td>U-32</td> <td>"</td> <td>"</td> <td>V-675</td> <td>122</td> <td>1/2</td> <td>2900</td> <td>1\"/&gt;  <tr> <td>U-33</td> <td>"</td> <td>"</td> <td>V-675</td> <td>122</td> <td>1/2</td> <td>2900</td> <td>1\"/&gt;  <tr> <td>U-34</td> <td>"</td> <td>"</td> <td>V-675</td> <td>122</td> <td>1/2</td> <td>2900</td> <td>1\"/&gt;  <tr> <td>U-35</td> <td>"</td> <td>"</td> <td>V-675</td> <td>122</td> <td>1/2</td> <td>2900</td> <td>1\"/&gt;  <tr> <td>U-36</td> <td>"</td> <td>"</td> <td>V-675</td> <td>122</td> <td>1/2</td> <td>2900</td> <td>1\"/&gt;  <tr> <td>U-37</td> <td>"</td> <td>"</td> <td>V-675</td> <td>122</td> <td>1/2</td> <td>2900</td> <td>1\"/&gt;  <tr> <td>U-38</td> <td>"</td> <td>"</td> <td>V-675</td> <td>122</td> <td>1/2</td> <td>2900</td> <td>1\"/&gt;  <tr> <td>U-39</td> <td>"</td> <td>"</td> <td>V-675</td> <td>122</td> <td>1/2</td> <td>2900</td> <td>1\"/&gt;  <tr> <td>U-40</td> <td>"</td> <td>"</td> <td>V-675</td> <td>122</td> <td>1/2</td> <td>2900</td> <td>1\"/&gt;  <tr> <td>U-41</td> <td>"</td> <td>"</td> <td>V-675</td> <td>122</td> <td>1/2</td> <td>2900</td> <td>1\"/&gt;  <tr> <td>U-42</td> <td>"</td> <td>"</td> <td>V-675</td> <td>122</td> <td>1/2</td> <td>2900</td> <td>1\"/&gt;  <tr> <td>U-43</td> <td>"</td> <td>"</td> <td>V-675</td> <td>122</td> <td>1/2</td> <td>2900</td> <td>1\"/&gt;  <tr> <td>U-44</td> <td>"</td> <td>"</td> <td>V-675</td> <td>122</td> <td>1/2</td> <td>2900</td> <td>1\"/&gt;  <tr> <td>U-45</td> <td>"</td> <td>"</td> <td>V-675</td> <td>122</td> <td>1/2</td> <td>2900</td> <td>1\"/&gt;  <tr> <td>U-46</td> <td>"</td> <td>"</td> <td>V-675</td> <td>122</td> <td>1/2</td> <td>2900</td> <td>1\"/&gt;  <tr> <td>U-47</td> <td>"</td> <td>"</td> <td>V-675</td> <td>122</td> <td>1/2</td> <td>2900</td> <td>1\"/&gt;  <tr> <td>U-48</td> <td>"</td> <td>"</td> <td>V-675</td> <td>122</td> <td>1/2</td> <td>2900</td> <td>1\"/&gt;  <tr> <td>U-49</td> <td>"</td> <td>"</td> <td>V-675</td> <td>122</td> <td>1/2</td> <td>2900</td> <td>1\"/&gt;  <tr> <td>U-50</td> <td>"</td> <td>"</td> <td>V-675</td> <td>122</td> <td>1/2</td> <td>2900</td> <td>1\"/&gt;  </td></tr></td></tr></td></tr></td></tr></td></tr></td></tr></td></tr></td></tr></td></tr></td></tr></td></tr></td></tr></td></tr></td></tr></td></tr></td></tr></td></tr></td></tr></td></tr></td></tr></td></tr></td></tr></td></tr></td></tr></td></tr></td></tr></td></tr></td></tr></td></tr></td></tr></td></tr> | U-20 | " | " | V-675 | 122 | 1/2 | 2900 | 1\"/> <tr> <td>U-21</td> <td>"</td> <td>"</td> <td>V-675</td> <td>122</td> <td>1/2</td> <td>2900</td> <td>1\"/&gt;  <tr> <td>U-22</td> <td>"</td> <td>"</td> <td>V-675</td> <td>122</td> <td>1/2</td> <td>2900</td> <td>1\"/&gt;  <tr> <td>U-23</td> <td>"</td> <td>"</td> <td>V-675</td> <td>122</td> <td>1/2</td> <td>2900</td> <td>1\"/&gt;  <tr> <td>U-24</td> <td>"</td> <td>"</td> <td>V-675</td> <td>122</td> <td>1/2</td> <td>2900</td> <td>1\"/&gt;  <tr> <td>U-25</td> <td>"</td> <td>"</td> <td>V-675</td> <td>122</td> <td>1/2</td> <td>2900</td> <td>1\"/&gt;  <tr> <td>U-26</td> <td>"</td> <td>"</td> <td>V-675</td> <td>122</td> <td>1/2</td> <td>2900</td> <td>1\"/&gt;  <tr> <td>U-27</td> <td>"</td> <td>"</td> <td>V-675</td> <td>122</td> <td>1/2</td> <td>2900</td> <td>1\"/&gt;  <tr> <td>U-28</td> <td>"</td> <td>"</td> <td>V-675</td> <td>122</td> <td>1/2</td> <td>2900</td> <td>1\"/&gt;  <tr> <td>U-29</td> <td>"</td> <td>"</td> <td>V-675</td> <td>122</td> <td>1/2</td> <td>2900</td> <td>1\"/&gt;  <tr> <td>U-30</td> <td>"</td> <td>"</td> <td>V-675</td> <td>122</td> <td>1/2</td> <td>2900</td> <td>1\"/&gt;  <tr> <td>U-31</td> <td>"</td> <td>"</td> <td>V-675</td> <td>122</td> <td>1/2</td> <td>2900</td> <td>1\"/&gt;  <tr> <td>U-32</td> <td>"</td> <td>"</td> <td>V-675</td> <td>122</td> <td>1/2</td> <td>2900</td> <td>1\"/&gt;  <tr> <td>U-33</td> <td>"</td> <td>"</td> <td>V-675</td> <td>122</td> <td>1/2</td> <td>2900</td> <td>1\"/&gt;  <tr> <td>U-34</td> <td>"</td> <td>"</td> <td>V-675</td> <td>122</td> <td>1/2</td> <td>2900</td> <td>1\"/&gt;  <tr> <td>U-35</td> <td>"</td> <td>"</td> <td>V-675</td> <td>122</td> <td>1/2</td> <td>2900</td> <td>1\"/&gt;  <tr> <td>U-36</td> <td>"</td> <td>"</td> <td>V-675</td> <td>122</td> <td>1/2</td> <td>2900</td> <td>1\"/&gt;  <tr> <td>U-37</td> <td>"</td> <td>"</td> <td>V-675</td> <td>122</td> <td>1/2</td> <td>2900</td> <td>1\"/&gt;  <tr> <td>U-38</td> <td>"</td> <td>"</td> <td>V-675</td> <td>122</td> <td>1/2</td> <td>2900</td> <td>1\"/&gt;  <tr> <td>U-39</td> <td>"</td> <td>"</td> <td>V-675</td> <td>122</td> <td>1/2</td> <td>2900</td> <td>1\"/&gt;  <tr> <td>U-40</td> <td>"</td> <td>"</td> <td>V-675</td> <td>122</td> <td>1/2</td> <td>2900</td> <td>1\"/&gt;  <tr> <td>U-41</td> <td>"</td> <td>"</td> <td>V-675</td> <td>122</td> <td>1/2</td> <td>2900</td> <td>1\"/&gt;  <tr> <td>U-42</td> <td>"</td> <td>"</td> <td>V-675</td> <td>122</td> <td>1/2</td> <td>2900</td> <td>1\"/&gt;  <tr> <td>U-43</td> <td>"</td> <td>"</td> <td>V-675</td> <td>122</td> <td>1/2</td> <td>2900</td> <td>1\"/&gt;  <tr> <td>U-44</td> <td>"</td> <td>"</td> <td>V-675</td> <td>122</td> <td>1/2</td> <td>2900</td> <td>1\"/&gt;  <tr> <td>U-45</td> <td>"</td> <td>"</td> <td>V-675</td> <td>122</td> <td>1/2</td> <td>2900</td> <td>1\"/&gt;  <tr> <td>U-46</td> <td>"</td> <td>"</td> <td>V-675</td> <td>122</td> <td>1/2</td> <td>2900</td> <td>1\"/&gt;  <tr> <td>U-47</td> <td>"</td> <td>"</td> <td>V-675</td> <td>122</td> <td>1/2</td> <td>2900</td> <td>1\"/&gt;  <tr> <td>U-48</td> <td>"</td> <td>"</td> <td>V-675</td> <td>122</td> <td>1/2</td> <td>2900</td> <td>1\"/&gt;  <tr> <td>U-49</td> <td>"</td> <td>"</td> <td>V-675</td> <td>122</td> <td>1/2</td> <td>2900</td> <td>1\"/&gt; 
<tr> <td>U-50</td> <td>"</td> <td>"</td> <td>V-675</td> <td>122</td> <td>1/2</td> <td>2900</td> <td>1\"/&gt;  </td></tr></td></tr></td></tr></td></tr></td></tr></td></tr></td></tr></td></tr></td></tr></td></tr></td></tr></td></tr></td></tr></td></tr></td></tr></td></tr></td></tr></td></tr></td></tr></td></tr></td></tr></td></tr></td></tr></td></tr></td></tr></td></tr></td></tr></td></tr></td></tr></td></tr> | U-21 | " | " | V-675 | 122 | 1/2 | 2900 | 1\"/> <tr> <td>U-22</td> <td>"</td> <td>"</td> <td>V-675</td> <td>122</td> <td>1/2</td> <td>2900</td> <td>1\"/&gt;  <tr> <td>U-23</td> <td>"</td> <td>"</td> <td>V-675</td> <td>122</td> <td>1/2</td> <td>2900</td> <td>1\"/&gt;  <tr> <td>U-24</td> <td>"</td> <td>"</td> <td>V-675</td> <td>122</td> <td>1/2</td> <td>2900</td> <td>1\"/&gt;  <tr> <td>U-25</td> <td>"</td> <td>"</td> <td>V-675</td> <td>122</td> <td>1/2</td> <td>2900</td> <td>1\"/&gt;  <tr> <td>U-26</td> <td>"</td> <td>"</td> <td>V-675</td> <td>122</td> <td>1/2</td> <td>2900</td> <td>1\"/&gt;  <tr> <td>U-27</td> <td>"</td> <td>"</td> <td>V-675</td> <td>122</td> <td>1/2</td> <td>2900</td> <td>1\"/&gt;  <tr> <td>U-28</td> <td>"</td> <td>"</td> <td>V-675</td> <td>122</td> <td>1/2</td> <td>2900</td> <td>1\"/&gt;  <tr> <td>U-29</td> <td>"</td> <td>"</td> <td>V-675</td> <td>122</td> <td>1/2</td> <td>2900</td> <td>1\"/&gt;  <tr> <td>U-30</td> <td>"</td> <td>"</td> <td>V-675</td> <td>122</td> <td>1/2</td> <td>2900</td> <td>1\"/&gt;  <tr> <td>U-31</td> <td>"</td> <td>"</td> <td>V-675</td> <td>122</td> <td>1/2</td> <td>2900</td> <td>1\"/&gt;  <tr> <td>U-32</td> <td>"</td> <td>"</td> <td>V-675</td> <td>122</td> <td>1/2</td> <td>2900</td> <td>1\"/&gt;  <tr> <td>U-33</td> <td>"</td> <td>"</td> <td>V-675</td> <td>122</td> <td>1/2</td> <td>2900</td> <td>1\"/&gt;  <tr> <td>U-34</td> <td>"</td> <td>"</td> <td>V-675</td> <td>122</td> <td>1/2</td> <td>2900</td> <td>1\"/&gt;  <tr> <td>U-35</td> <td>"</td> <td>"</td> <td>V-675</td> <td>122</td> <td>1/2</td> <td>2900</td> <td>1\"/&gt;  <tr> <td>U-36</td> <td>"</td> <td>"</td> <td>V-675</td> <td>122</td> <td>1/2</td> <td>2900</td> <td>1\"/&gt;  <tr> <td>U-37</td> <td>"</td> <td>"</td> <td>V-675</td> <td>122</td> <td>1/2</td> <td>2900</td> <td>1\"/&gt;  <tr> <td>U-38</td> <td>"</td> <td>"</td> <td>V-675</td> <td>122</td> <td>1/2</td> <td>2900</td> <td>1\"/&gt;  <tr> <td>U-39</td> <td>"</td> <td>"</td> <td>V-675</td> <td>122</td> <td>1/2</td> <td>2900</td> <td>1\"/&gt;  <tr> <td>U-40</td> <td>"</td> <td>"</td> <td>V-675</td> <td>122</td> <td>1/2</td> <td>2900</td> <td>1\"/&gt;  <tr> <td>U-41</td> <td>"</td> <td>"</td> <td>V-675</td> <td>122</td> <td>1/2</td> <td>2900</td> <td>1\"/&gt;  <tr> <td>U-42</td> <td>"</td> <td>"</td> <td>V-675</td> <td>122</td> <td>1/2</td> <td>2900</td> <td>1\"/&gt;  <tr> <td>U-43</td> <td>"</td> <td>"</td> <td>V-675</td> <td>122</td> <td>1/2</td> <td>2900</td> <td>1\"/&gt;  <tr> <td>U-44</td> <td>"</td> <td>"</td> <td>V-675</td> <td>122</td> <td>1/2</td> <td>2900</td> <td>1\"/&gt;  <tr> <td>U-45</td> <td>"</td> <td>"</td> <td>V-675</td> <td>122</td> <td>1/2</td> <td>2900</td> <td>1\"/&gt;  <tr> <td>U-46</td> <td>"</td> <td>"</td> <td>V-675</td> <td>122</td> <td>1/2</td> <td>2900</td> <td>1\"/&gt;  <tr> <td>U-47</td> <td>"</td> <td>"</td> <td>V-675</td> <td>122</td> <td>1/2</td> <td>2900</td> <td>1\"/&gt;  <tr> <td>U-48</td> <td>"</td> <td>"</td> <td>V-675</td> <td>122</td> <td>1/2</td> <td>2900</td> <td>1\"/&gt;  <tr> <td>U-49</td> <td>"</td> <td>"</td> <td>V-675</td> <td>122</td> <td>1/2</td> <td>2900</td> <td>1\"/&gt;  <tr> <td>U-50</td> <td>"</td> <td>"</td> <td>V-675</td> <td>122</td> <td>1/2</td> <td>2900</td> <td>1\"/&gt;  </td></tr></td></tr></td></tr></td></tr></td></tr></td></tr></td></tr></td></tr></td></tr></td></tr></td></tr></td></tr></td></tr></td></tr></td></tr></td></tr></td></tr></td></tr></td></tr></td></tr></td></tr></td></tr></td></tr></td></tr></td></tr></td></tr></td></tr></td></tr></td></tr> | U-22 | " | " | V-675 | 122 | 1/2 | 2900 | 1\"/> <tr> <td>U-23</td> <td>"</td> <td>"</td> <td>V-675</td> <td>122</td> <td>1/2</td> <td>2900</td> <td>1\"/&gt;  <tr> <td>U-24</td> <td>"</td> <td>"</td> <td>V-675</td> <td>122</td> <td>1/2</td> <td>2900</td> <td>1\"/&gt;  <tr> <td>U-25</td> <td>"</td> <td>"</td> <td>V-675</td> <td>122</td> <td>1/2</td> <td>2900</td> <td>1\"/&gt;  <tr> <td>U-26</td> <td>"</td> <td>"</td> <td>V-675</td> <td>122</td> <td>1/2</td> <td>2900</td> <td>1\"/&gt;  <tr> <td>U-27</td> <td>"</td> <td>"</td> <td>V-675</td> <td>122</td> <td>1/2</td> <td>2900</td> <td>1\"/&gt;  <tr> <td>U-28</td> <td>"</td> <td>"</td> <td>V-675</td> <td>122</td> <td>1/2</td> <td>2900</td> <td>1\"/&gt;  <tr> <td>U-29</td> <td>"</td> <td>"</td> <td>V-675</td> <td>122</td> <td>1/2</td> <td>2900</td> <td>1\"/&gt;  <tr> <td>U-30</td> <td>"</td> <td>"</td> <td>V-675</td> <td>122</td> <td>1/2</td> <td>2900</td> <td>1\"/&gt;  <tr> <td>U-31</td> <td>"</td> <td>"</td> <td>V-675</td> <td>122</td> <td>1/2</td> <td>2900</td> <td>1\"/&gt;  <tr> <td>U-32</td> <td>"</td> <td>"</td> <td>V-675</td> <td>122</td> <td>1/2</td> <td>2900</td> <td>1\"/&gt;  <tr> <td>U-33</td> <td>"</td> <td>"</td> <td>V-675</td> <td>122</td> <td>1/2</td> <td>2900</td> <td>1\"/&gt;  <tr> <td>U-34</td> <td>"</td> <td>"</td> <td>V-675</td> <td>122</td> <td>1/2</td> <td>2900</td> <td>1\"/&gt;  <tr> <td>U-35</td> <td>"</td> <td>"</td> <td>V-675</td> <td>122</td> <td>1/2</td> <td>2900</td> <td>1\"/&gt;  <tr> <td>U-36</td> <td>"</td> <td>"</td> <td>V-675</td> <td>122</td> <td>1/2</td> <td>2900</td> <td>1\"/&gt;  <tr> <td>U-37</td> <td>"</td> <td>"</td> <td>V-675</td> <td>122</td> <td>1/2</td> <td>2900</td> <td>1\"/&gt;  <tr> <td>U-38</td> <td>"</td> <td>"</td> <td>V-675</td> <td>122</td> <td>1/2</td> <td>2900</td> <td>1\"/&gt;  <tr> <td>U-39</td> <td>"</td> <td>"</td> <td>V-675</td> <td>122</td> <td>1/2</td> <td>2900</td> <td>1\"/&gt;  <tr> <td>U-40</td> <td>"</td> <td>"</td> <td>V-675</td> <td>122</td> <td>1/2</td> <td>2900</td> <td>1\"/&gt;  <tr> <td>U-41</td> <td>"</td> <td>"</td> <td>V-675</td> <td>122</td> <td>1/2</td> <td>2900</td> <td>1\"/&gt;  <tr> <td>U-42</td> <td>"</td> <td>"</td> <td>V-675</td> <td>122</td> <td>1/2</td> <td>2900</td> <td>1\"/&gt;  <tr> <td>U-43</td> <td>"</td> <td>"</td> <td>V-675</td> <td>122</td> <td>1/2</td> <td>2900</td> <td>1\"/&gt;  <tr> <td>U-44</td> <td>"</td> <td>"</td> <td>V-675</td> <td>122</td> <td>1/2</td> <td>2900</td> <td>1\"/&gt;  <tr> <td>U-45</td> <td>"</td> <td>"</td> <td>V-675</td> <td>122</td> <td>1/2</td> <td>2900</td> <td>1\"/&gt;  <tr> <td>U-46</td> <td>"</td> <td>"</td> <td>V-675</td> <td>122</td> <td>1/2</td> <td>2900</td> <td>1\"/&gt;  <tr> <td>U-47</td> <td>"</td> <td>"</td> <td>V-675</td> <td>122</td> <td>1/2</td> <td>2900</td> <td>1\"/&gt;  <tr> <td>U-48</td> <td>"</td> <td>"</td> <td>V-675</td> <td>122</td> <td>1/2</td> <td>2900</td> <td>1\"/&gt;  <tr> <td>U-49</td> <td>"</td> <td>"</td> <td>V-675</td> <td>122</td> <td>1/2</td> <td>2900</td> <td>1\"/&gt;  <tr> <td>U-50</td> <td>"</td> <td>"</td> <td>V-675</td> <td>122</td> <td>1/2</td> <td>2900</td> <td>1\"/&gt;  </td></tr></td></tr></td></tr></td></tr></td></tr></td></tr></td></tr></td></tr></td></tr></td></tr></td></tr></td></tr></td></tr></td></tr></td></tr></td></tr></td></tr></td></tr></td></tr></td></tr></td></tr></td></tr></td></tr></td></tr></td></tr></td></tr></td></tr></td></tr> | U-23 | " | " | V-675 | 122 | 1/2 | 2900 | 1\"/> <tr> <td>U-24</td> <td>"</td> <td>"</td> <td>V-675</td> <td>122</td> <td>1/2</td> <td>2900</td> <td>1\"/&gt;  <tr> <td>U-25</td> <td>"</td> <td>"</td> <td>V-675</td> <td>122</td> <td>1/2</td> <td>2900</td> <td>1\"/&gt;  <tr> <td>U-26</td> <td>"</td> <td>"</td> <td>V-675</td> <td>122</td> <td>1/2</td> <td>2900</td> <td>1\"/&gt;  <tr> <td>U-27</td> <td>"</td> <td>"</td> <td>V-675</td> <td>122</td> <td>1/2</td> <td>2900</td> <td>1\"/&gt;  <tr> <td>U-28</td> <td>"</td> <td>"</td> <td>V-675</td> <td>122</td> <td>1/2</td> <td>2900</td> <td>1\"/&gt;  <tr> <td>U-29</td> <td>"</td> <td>"</td> <td>V-675</td> <td>122</td> <td>1/2</td> <td>2900</td> <td>1\"/&gt;  <tr> <td>U-30</td> <td>"</td> <td>"</td> <td>V-675</td> <td>122</td> <td>1/2</td> <td>2900</td> <td>1\"/&gt;  <tr> <td>U-31</td> <td>"</td> <td>"</td> <td>V-675</td> <td>122</td> <td>1/2</td> <td>2900</td> <td>1\"/&gt;  <tr> <td>U-32</td> <td>"</td> <td>"</td> <td>V-675</td> <td>122</td> <td>1/2</td> <td>2900</td> <td>1\"/&gt;  <tr> <td>U-33</td> <td>"</td> <td>"</td> <td>V-675</td> <td>122</td> <td>1/2</td> <td>2900</td> <td>1\"/&gt;  <tr> <td>U-34</td> <td>"</td> <td>"</td> <td>V-675</td> <td>122</td> <td>1/2</td> <td>2900</td> <td>1\"/&gt;  <tr> <td>U-35</td> <td>"</td> <td>"</td> <td>V-675</td> <td>122</td> <td>1/2</td> <td>2900</td> <td>1\"/&gt;  <tr> <td>U-36</td> <td>"</td> <td>"</td> <td>V-675</td> <td>122</td> <td>1/2</td> <td>2900</td> <td>1\"/&gt;  <tr> <td>U-37</td> <td>"</td> <td>"</td> <td>V-675</td> <td>122</td> <td>1/2</td> <td>2900</td> <td>1\"/&gt;  <tr> <td>U-38</td> <td>"</td> <td>"</td> <td>V-675</td> <td>122</td> <td>1/2</td> <td>2900</td> <td>1\"/&gt;  <tr> <td>U-39</td> <td>"</td> <td>"</td> <td>V-675</td> <td>122</td> <td>1/2</td> <td>2900</td> <td>1\"/&gt;  <tr> <td>U-40</td> <td>"</td> <td>"</td> <td>V-675</td> <td>122</td> <td>1/2</td> <td>2900</td> <td>1\"/&gt;  <tr> <td>U-41</td> <td>"</td> <td>"</td> <td>V-675</td> <td>122</td> <td>1/2</td> <td>2900</td> <td>1\"/&gt;  <tr> <td>U-42</td> <td>"</td> <td>"</td> <td>V-675</td> <td>122</td> <td>1/2</td> <td>2900</td> <td>1\"/&gt;  <tr> <td>U-43</td> <td>"</td> <td>"</td> <td>V-675</td> <td>122</td> <td>1/2</td> <td>2900</td> <td>1\"/&gt;  <tr> <td>U-44</td> <td>"</td> <td>"</td> <td>V-675</td> <td>122</td> <td>1/2</td> <td>2900</td> <td>1\"/&gt;  <tr> <td>U-45</td> <td>"</td> <td>"</td> <td>V-675</td> <td>122</td> <td>1/2</td> <td>2900</td> <td>1\"/&gt;  <tr> <td>U-46</td> <td>"</td> <td>"</td> <td>V-675</td> <td>122</td> <td>1/2</td> <td>2900</td> <td>1\"/&gt;  <tr> <td>U-47</td> <td>"</td> <td>"</td> <td>V-675</td>
<td>122</td> <td>1/2</td> <td>2900</td> <td>1\"/&gt;  <tr> <td>U-48</td> <td>"</td> <td>"</td> <td>V-675</td> <td>122</td> <td>1/2</td> <td>2900</td> <td>1\"/&gt;  <tr> <td>U-49</td> <td>"</td> <td>"</td> <td>V-675</td> <td>122</td> <td>1/2</td> <td>2900</td> <td>1\"/&gt;  <tr> <td>U-50</td> <td>"</td> <td>"</td> <td>V-675</td> <td>122</td> <td>1/2</td> <td>2900</td> <td>1\"/&gt;  </td></tr></td></tr></td></tr></td></tr></td></tr></td></tr></td></tr></td></tr></td></tr></td></tr></td></tr></td></tr></td></tr></td></tr></td></tr></td></tr></td></tr></td></tr></td></tr></td></tr></td></tr></td></tr></td></tr></td></tr></td></tr></td></tr></td></tr> | U-24 | " | " | V-675 | 122 | 1/2 | 2900 | 1\"/> <tr> <td>U-25</td> <td>"</td> <td>"</td> <td>V-675</td> <td>122</td> <td>1/2</td> <td>2900</td> <td>1\"/&gt;  <tr> <td>U-26</td> <td>"</td> <td>"</td> <td>V-675</td> <td>122</td> <td>1/2</td> <td>2900</td> <td>1\"/&gt;  <tr> <td>U-27</td> <td>"</td> <td>"</td> <td>V-675</td> <td>122</td> <td>1/2</td> <td>2900</td> <td>1\"/&gt;  <tr> <td>U-28</td> <td>"</td> <td>"</td> <td>V-675</td> <td>122</td> <td>1/2</td> <td>2900</td> <td>1\"/&gt;  <tr> <td>U-29</td> <td>"</td> <td>"</td> <td>V-675</td> <td>122</td> <td>1/2</td> <td>2900</td> <td>1\"/&gt;  <tr> <td>U-30</td> <td>"</td> <td>"</td> <td>V-675</td> <td>122</td> <td>1/2</td> <td>2900</td> <td>1\"/&gt;  <tr> <td>U-31</td> <td>"</td> <td>"</td> <td>V-675</td> <td>122</td> <td>1/2</td> <td>2900</td> <td>1\"/&gt;  <tr> <td>U-32</td> <td>"</td> <td>"</td> <td>V-675</td> <td>122</td> <td>1/2</td> <td>2900</td> <td>1\"/&gt;  <tr> <td>U-33</td> <td>"</td> <td>"</td> <td>V-675</td> <td>122</td> <td>1/2</td> <td>2900</td> <td>1\"/&gt;  <tr> <td>U-34</td> <td>"</td> <td>"</td> <td>V-675</td> <td>122</td> <td>1/2</td> <td>2900</td> <td>1\"/&gt;  <tr> <td>U-35</td> <td>"</td> <td>"</td> <td>V-675</td> <td>122</td> <td>1/2</td> <td>2900</td> <td>1\"/&gt;  <tr> <td>U-36</td> <td>"</td> <td>"</td> <td>V-675</td> <td>122</td> <td>1/2</td> <td>2900</td> <td>1\"/&gt;  <tr> <td>U-37</td> <td>"</td> <td>"</td> <td>V-675</td> <td>122</td> <td>1/2</td> <td>2900</td> <td>1\"/&gt;  <tr> <td>U-38</td> <td>"</td> <td>"</td> <td>V-675</td> <td>122</td> <td>1/2</td> <td>2900</td> <td>1\"/&gt;  <tr> <td>U-39</td> <td>"</td> <td>"</td> <td>V-675</td> <td>122</td> <td>1/2</td> <td>2900</td> <td>1\"/&gt;  <tr> <td>U-40</td> <td>"</td> <td>"</td> <td>V-675</td> <td>122</td> <td>1/2</td> <td>2900</td> <td>1\"/&gt;  <tr> <td>U-41</td> <td>"</td> <td>"</td> <td>V-675</td> <td>122</td> <td>1/2</td> <td>2900</td> <td>1\"/&gt;  <tr> <td>U-42</td> <td>"</td> <td>"</td> <td>V-675</td> <td>122</td> <td>1/2</td> <td>2900</td> <td>1\"/&gt;  <tr> <td>U-43</td> <td>"</td> <td>"</td> <td>V-675</td> <td>122</td> <td>1/2</td> <td>2900</td> <td>1\"/&gt;  <tr> <td>U-44</td> <td>"</td> <td>"</td> <td>V-675</td> <td>122</td> <td>1/2</td> <td>2900</td> <td>1\"/&gt;  <tr> <td>U-45</td> <td>"</td> <td>"</td> <td>V-675</td> <td>122</td> <td>1/2</td> <td>2900</td> <td>1\"/&gt;  <tr> <td>U-46</td> <td>"</td> <td>"</td> <td>V-675</td> <td>122</td> <td>1/2</td> <td>2900</td> <td>1\"/&gt;  <tr> <td>U-47</td> <td>"</td> <td>"</td> <td>V-675</td> <td>122</td> <td>1/2</td> <td>2900</td> <td>1\"/&gt;  <tr> <td>U-48</td> <td>"</td> <td>"</td> <td>V-675</td> <td>122</td> <td>1/2</td> <td>2900</td> <td>1\"/&gt;  <tr> <td>U-49</td> <td>"</td> <td>"</td> <td>V-675</td> <td>122</td> <td>1/2</td> <td>2900</td> <td>1\"/&gt;  <tr> <td>U-50</td> <td>"</td> <td>"</td> <td>V-675</td> <td>122</td> <td>1/2</td> <td>2900</td> <td>1\"/&gt;  </td></tr></td></tr></td></tr></td></tr></td></tr></td></tr></td></tr></td></tr></td></tr></td></tr></td></tr></td></tr></td></tr></td></tr></td></tr></td></tr></td></tr></td></tr></td></tr></td></tr></td></tr></td></tr></td></tr></td></tr></td></tr></td></tr> | U-25 | " | " | V-675 | 122 | 1/2 | 2900 | 1\"/> <tr> <td>U-26</td> <td>"</td> <td>"</td> <td>V-675</td> <td>122</td> <td>1/2</td> <td>2900</td> <td>1\"/&gt;  <tr> <td>U-27</td> <td>"</td> <td>"</td> <td>V-675</td> <td>122</td> <td>1/2</td> <td>2900</td> <td>1\"/&gt;  <tr> <td>U-28</td> <td>"</td> <td>"</td> <td>V-675</td> <td>122</td> <td>1/2</td> <td>2900</td> <td>1\"/&gt;  <tr> <td>U-29</td> <td>"</td> <td>"</td> <td>V-675</td> <td>122</td> <td>1/2</td> <td>2900</td> <td>1\"/&gt;  <tr> <td>U-30</td> <td>"</td> <td>"</td> <td>V-675</td> <td>122</td> <td>1/2</td> <td>2900</td> <td>1\"/&gt;  <tr> <td>U-31</td> <td>"</td> <td>"</td> <td>V-675</td> <td>122</td> <td>1/2</td> <td>2900</td> <td>1\"/&gt;  <tr> <td>U-32</td> <td>"</td> <td>"</td> <td>V-675</td> <td>122</td> <td>1/2</td> <td>2900</td> <td>1\"/&gt;  <tr> <td>U-33</td> <td>"</td> <td>"</td> <td>V-675</td> <td>122</td> <td>1/2</td> <td>2900</td> <td>1\"/&gt;  <tr> <td>U-34</td> <td>"</td> <td>"</td> <td>V-675</td> <td>122</td> <td>1/2</td> <td>2900</td> <td>1\"/&gt;  <tr> <td>U-35</td> <td>"</td> <td>"</td> <td>V-675</td> <td>122</td> <td>1/2</td> <td>2900</td> <td>1\"/&gt;  <tr> <td>U-36</td> <td>"</td> <td>"</td> <td>V-675</td> <td>122</td> <td>1/2</td> <td>2900</td> <td>1\"/&gt;  <tr> <td>U-37</td> <td>"</td> <td>"</td> <td>V-675</td> <td>122</td> <td>1/2</td> <td>2900</td> <td>1\"/&gt;  <tr> <td>U-38</td> <td>"</td> <td>"</td> <td>V-675</td> <td>122</td> <td>1/2</td> <td>2900</td> <td>1\"/&gt;  <tr> <td>U-39</td> <td>"</td> <td>"</td> <td>V-675</td> <td>122</td> <td>1/2</td> <td>2900</td> <td>1\"/&gt;  <tr> <td>U-40</td> <td>"</td> <td>"</td> <td>V-675</td> <td>122</td> <td>1/2</td> <td>2900</td> <td>1\"/&gt;  <tr> <td>U-41</td> <td>"</td> <td>"</td> <td>V-675</td> <td>122</td> <td>1/2</td> <td>2900</td> <td>1\"/&gt;  <tr> <td>U-42</td> <td>"</td> <td>"</td> <td>V-675</td> <td>122</td> <td>1/2</td> <td>2900</td> <td>1\"/&gt;  <tr> <td>U-43</td> <td>"</td> <td>"</td> <td>V-675</td> <td>122</td> <td>1/2</td> <td>2900</td> <td>1\"/&gt;  <tr> <td>U-44</td> <td>"</td> <td>"</td> <td>V-675</td> <td>122</td> <td>1/2</td> <td>2900</td> <td>1\"/&gt;  <tr> <td>U-45</td> <td>"</td> <td>"</td> <td>V-675</td> <td>122</td> <td>1/2</td> <td>2900</td> <td>1\"/&gt;  <tr> <td>U-46</td> <td>"</td> <td>"</td> <td>V-675</td> <td>122</td> <td>1/2</td> <td>2900</td> <td>1\"/&gt;  <tr> <td>U-47</td> <td>"</td> <td>"</td> <td>V-675</td> <td>122</td> <td>1/2</td> <td>2900</td> <td>1\"/&gt;  <tr> <td>U-48</td> <td>"</td> <td>"</td> <td>V-675</td> <td>122</td> <td>1/2</td> <td>2900</td> <td>1\"/&gt;  <tr> <td>U-49</td> <td>"</td> <td>"</td> <td>V-675</td> <td>122</td> <td>1/2</td> <td>2900</td> <td>1\"/&gt;  <tr> <td>U-50</td> <td>"</td> <td>"</td> <td>V-675</td> <td>122</td> <td>1/2</td> <td>2900</td> <td>1\"/&gt;  </td></tr></td></tr></td></tr></td></tr></td></tr></td></tr></td></tr></td></tr></td></tr></td></tr></td></tr></td></tr></td></tr></td></tr></td></tr></td></tr></td></tr></td></tr></td></tr></td></tr></td></tr></td></tr></td></tr></td></tr></td></tr> | U-26 | " | " | V-675 | 122 | 1/2 | 2900 | 1\"/> <tr> <td>U-27</td> <td>"</td> <td>"</td> <td>V-675</td> <td>122</td> <td>1/2</td> <td>2900</td> <td>1\"/&gt;  <tr> <td>U-28</td> <td>"</td> <td>"</td> <td>V-675</td> <td>122</td> <td>1/2</td> <td>2900</td> <td>1\"/&gt;  <tr> <td>U-29</td> <td>"</td> <td>"</td> <td>V-675</td> <td>122</td> <td>1/2</td> <td>2900</td> <td>1\"/&gt;  <tr> <td>U-30</td> <td>"</td> <td>"</td> <td>V-675</td> <td>122</td> <td>1/2</td> <td>2900</td> <td>1\"/&gt;  <tr> <td>U-31</td> <td>"</td> <td>"</td> <td>V-675</td> <td>122</td> <td>1/2</td> <td>2900</td> <td>1\"/&gt;  <tr> <td>U-32</td> <td>"</td> <td>"</td> <td>V-675</td> <td>122</td> <td>1/2</td> <td>2900</td> <td>1\"/&gt;  <tr> <td>U-33</td> <td>"</td> <td>"</td> <td>V-675</td> <td>122</td> <td>1/2</td> <td>2900</td> <td>1\"/&gt;  <tr> <td>U-34</td> <td>"</td> <td>"</td> <td>V-675</td> <td>122</td> <td>1/2</td> <td>2900</td> <td>1\"/&gt;  <tr> <td>U-35</td> <td>"</td> <td>"</td> <td>V-675</td> <td>122</td> <td>1/2</td> <td>2900</td> <td>1\"/&gt;  <tr> <td>U-36</td> <td>"</td> <td>"</td> <td>V-675</td> <td>122</td> <td>1/2</td> <td>2900</td> <td>1\"/&gt;  <tr> <td>U-37</td> <td>"</td> <td>"</td> <td>V-675</td> <td>122</td> <td>1/2</td> <td>2900</td> <td>1\"/&gt;  <tr> <td>U-38</td> <td>"</td> <td>"</td> <td>V-675</td> <td>122</td> <td>1/2</td> <td>2900</td> <td>1\"/&gt;  <tr> <td>U-39</td> <td>"</td> <td>"</td> <td>V-675</td> <td>122</td> <td>1/2</td> <td>2900</td> <td>1\"/&gt;  <tr> <td>U-40</td> <td>"</td> <td>"</td> <td>V-675</td> <td>122</td> <td>1/2</td> <td>2900</td> <td>1\"/&gt;  <tr> <td>U-41</td> <td>"</td> <td>"</td> <td>V-675</td> <td>122</td> <td>1/2</td> <td>2900</td> <td>1\"/&gt;  <tr> <td>U-42</td> <td>"</td> <td>"</td> <td>V-675</td> <td>122</td> <td>1/2</td> <td>2900</td> <td>1\"/&gt;  <tr> <td>U-43</td> <td>"</td> <td>"</td> <td>V-675</td> <td>122</td> <td>1/2</td> <td>2900</td> <td>1\"/&gt;  <tr> <td>U-44</td> <td>"</td> <td>"</td> <td>V-675</td> <td>122</td> <td>1/2</td> <td>2900</td> <td>1\"/&gt;  <tr> <td>U-45</td> <td>"</td> <td>"</td> <td>V-675</td> <td>122</td> <td>1/2</td> <td>2900</td> <td>1\"/&gt;  <tr> <td>U-46</td> <td>"</td> <td>"</td> <td>V-675</td> <td>122</td> <td>1/2</td> <td>2900</td> <td>1\"/&gt;  <tr> <td>U-47</td> <td>"</td> <td>"</td> <td>V-675</td> <td>122</td> <td>1/2</td> <td>2900</td> <td>1\"/&gt;  <tr> <td>U-48</td> <td>"</td> <td>"</td> <td>V-675</td> <td>122</td> <td>1/2</td> <td>2900</td> <td>1\"/&gt;  <tr> <td>U-49</td> <td>"</td> <td>"</td> <td>V-675</td> <td>122</td> <td>1/2</td> <td>2900</td> <td>1\"/&gt;  <tr> <td>U-50</td> <td>"</td> <td>"</td> <td>V-675</td> <td>122</td> <td>1/2</td> <td>2900</td> <td>1\"/&gt;  </td></tr></td></tr></td></tr></td></tr></td></tr></td></tr></td></tr></td></tr></td></tr></td></tr></td></tr></td></tr></td></tr></td></tr></td></tr></td></tr></td></tr></td></tr></td></tr></td></tr></td></tr></td></tr></td></tr></td></tr> | U-27 | " | " | V-675 | 122 | 1/2 | 2900 | 1\"/> <tr> <td>U-28</td> <td>"</td> <td>"</td> <td>V-675</td> <td>122</td> <td>1/2</td> <td>2900</td> <td>1\"/&gt;  <tr> <td>U-29</td> <td>"</td>
<td>"</td> <td>V-675</td> <td>122</td> <td>1/2</td> <td>2900</td> <td>1\"/&gt;  <tr> <td>U-30</td> <td>"</td> <td>"</td> <td>V-675</td> <td>122</td> <td>1/2</td> <td>2900</td> <td>1\"/&gt;  <tr> <td>U-31</td> <td>"</td> <td>"</td> <td>V-675</td> <td>122</td> <td>1/2</td> <td>2900</td> <td>1\"/&gt;  <tr> <td>U-32</td> <td>"</td> <td>"</td> <td>V-675</td> <td>122</td> <td>1/2</td> <td>2900</td> <td>1\"/&gt;  <tr> <td>U-33</td> <td>"</td> <td>"</td> <td>V-675</td> <td>122</td> <td>1/2</td> <td>2900</td> <td>1\"/&gt;  <tr> <td>U-34</td> <td>"</td> <td>"</td> <td>V-675</td> <td>122</td> <td>1/2</td> <td>2900</td> <td>1\"/&gt;  <tr> <td>U-35</td> <td>"</td> <td>"</td> <td>V-675</td> <td>122</td> <td>1/2</td> <td>2900</td> <td>1\"/&gt;  <tr> <td>U-36</td> <td>"</td> <td>"</td> <td>V-675</td> <td>122</td> <td>1/2</td> <td>2900</td> <td>1\"/&gt;  <tr> <td>U-37</td> <td>"</td> <td>"</td> <td>V-675</td> <td>122</td> <td>1/2</td> <td>2900</td> <td>1\"/&gt;  <tr> <td>U-38</td> <td>"</td> <td>"</td> <td>V-675</td> <td>122</td> <td>1/2</td> <td>2900</td> <td>1\"/&gt;  <tr> <td>U-39</td> <td>"</td> <td>"</td> <td>V-675</td> <td>122</td> <td>1/2</td> <td>2900</td> <td>1\"/&gt;  <tr> <td>U-40</td> <td>"</td> <td>"</td> <td>V-675</td> <td>122</td> <td>1/2</td> <td>2900</td> <td>1\"/&gt;  <tr> <td>U-41</td> <td>"</td> <td>"</td> <td>V-675</td> <td>122</td> <td>1/2</td> <td>2900</td> <td>1\"/&gt;  <tr> <td>U-42</td> <td>"</td> <td>"</td> <td>V-675</td> <td>122</td> <td>1/2</td> <td>2900</td> <td>1\"/&gt;  <tr> <td>U-43</td> <td>"</td> <td>"</td> <td>V-675</td> <td>122</td> <td>1/2</td> <td>2900</td> <td>1\"/&gt;  <tr> <td>U-44</td> <td>"</td> <td>"</td> <td>V-675</td> <td>122</td> <td>1/2</td> <td>2900</td> <td>1\"/&gt;  <tr> <td>U-45</td> <td>"</td> <td>"</td> <td>V-675</td> <td>122</td> <td>1/2</td> <td>2900</td> <td>1\"/&gt;  <tr> <td>U-46</td> <td>"</td> <td>"</td> <td>V-675</td> <td>122</td> <td>1/2</td> <td>2900</td> <td>1\"/&gt;  <tr> <td>U-47</td> <td>"</td> <td>"</td> <td>V-675</td> <td>122</td> <td>1/2</td> <td>2900</td> <td>1\"/&gt;  <tr> <td>U-48</td> <td>"</td> <td>"</td> <td>V-675</td> <td>122</td> <td>1/2</td> <td>2900</td> <td>1\"/&gt;  <tr> <td>U-49</td> <td>"</td> <td>"</td> <td>V-675</td> <td>122</td> <td>1/2</td> <td>2900</td> <td>1\"/&gt;  <tr> <td>U-50</td> <td>"</td> <td>"</td> <td>V-675</td> <td>122</td> <td>1/2</td> <td>2900</td> <td>1\"/&gt;  </td></tr></td></tr></td></tr></td></tr></td></tr></td></tr></td></tr></td></tr></td></tr></td></tr></td></tr></td></tr></td></tr></td></tr></td></tr></td></tr></td></tr></td></tr></td></tr></td></tr></td></tr></td></tr></td></tr> | U-28 | " | " | V-675 | 122 | 1/2 | 2900 | 1\"/> <tr> <td>U-29</td> <td>"</td> <td>"</td> <td>V-675</td> <td>122</td> <td>1/2</td> <td>2900</td> <td>1\"/&gt;  <tr> <td>U-30</td> <td>"</td> <td>"</td> <td>V-675</td> <td>122</td> <td>1/2</td> <td>2900</td> <td>1\"/&gt;  <tr> <td>U-31</td> <td>"</td> <td>"</td> <td>V-675</td> <td>122</td> <td>1/2</td> <td>2900</td> <td>1\"/&gt;  <tr> <td>U-32</td> <td>"</td> <td>"</td> <td>V-675</td> <td>122</td> <td>1/2</td> <td>2900</td> <td>1\"/&gt;  <tr> <td>U-33</td> <td>"</td> <td>"</td> <td>V-675</td> <td>122</td> <td>1/2</td> <td>2900</td> <td>1\"/&gt;  <tr> <td>U-34</td> <td>"</td> <td>"</td> <td>V-675</td> <td>122</td> <td>1/2</td> <td>2900</td> <td>1\"/&gt;  <tr> <td>U-35</td> <td>"</td> <td>"</td> <td>V-675</td> <td>122</td> <td>1/2</td> <td>2900</td> <td>1\"/&gt;  <tr> <td>U-36</td> <td>"</td> <td>"</td> <td>V-675</td> <td>122</td> <td>1/2</td> <td>2900</td> <td>1\"/&gt;  <tr> <td>U-37</td> <td>"</td> <td>"</td> <td>V-675</td> <td>122</td> <td>1/2</td> <td>2900</td> <td>1\"/&gt;  <tr> <td>U-38</td> <td>"</td> <td>"</td> <td>V-675</td> <td>122</td> <td>1/2</td> <td>2900</td> <td>1\"/&gt;  <tr> <td>U-39</td> <td>"</td> <td>"</td> <td>V-675</td> <td>122</td> <td>1/2</td> <td>2900</td> <td>1\"/&gt;  <tr> <td>U-40</td> <td>"</td> <td>"</td> <td>V-675</td> <td>122</td> <td>1/2</td> <td>2900</td> <td>1\"/&gt;  <tr> <td>U-41</td> <td>"</td> <td>"</td> <td>V-675</td> <td>122</td> <td>1/2</td> <td>2900</td> <td>1\"/&gt;  <tr> <td>U-42</td> <td>"</td> <td>"</td> <td>V-675</td> <td>122</td> <td>1/2</td> <td>2900</td> <td>1\"/&gt;  <tr> <td>U-43</td> <td>"</td> <td>"</td> <td>V-675</td> <td>122</td> <td>1/2</td> <td>2900</td> <td>1\"/&gt;  <tr> <td>U-44</td> <td>"</td> <td>"</td> <td>V-675</td> <td>122</td> <td>1/2</td> <td>2900</td> <td>1\"/&gt;  <tr> <td>U-45</td> <td>"</td> <td>"</td> <td>V-675</td> <td>122</td> <td>1/2</td> <td>2900</td> <td>1\"/&gt;  <tr> <td>U-46</td> <td>"</td> <td>"</td> <td>V-675</td> <td>122</td> <td>1/2</td> <td>2900</td> <td>1\"/&gt;  <tr> <td>U-47</td> <td>"</td> <td>"</td> <td>V-675</td> <td>122</td> <td>1/2</td> <td>2900</td> <td>1\"/&gt;  <tr> <td>U-48</td> <td>"</td> <td>"</td> <td>V-675</td> <td>122</td> <td>1/2</td> <td>2900</td> <td>1\"/&gt;  <tr> <td>U-49</td> <td>"</td> <td>"</td> <td>V-675</td> <td>122</td> <td>1/2</td> <td>2900</td> <td>1\"/&gt;  <tr> <td>U-50</td> <td>"</td> <td>"</td> <td>V-675</td> <td>122</td> <td>1/2</td> <td>2900</td> <td>1\"/&gt;  </td></tr></td></tr></td></tr></td></tr></td></tr></td></tr></td></tr></td></tr></td></tr></td></tr></td></tr></td></tr></td></tr></td></tr></td></tr></td></tr></td></tr></td></tr></td></tr></td></tr></td></tr></td></tr> | U-29 | " | " | V-675 | 122 | 1/2 | 2900 | 1\"/> <tr> <td>U-30</td> <td>"</td> <td>"</td> <td>V-675</td> <td>122</td> <td>1/2</td> <td>2900</td> <td>1\"/&gt;  <tr> <td>U-31</td> <td>"</td> <td>"</td> <td>V-675</td> <td>122</td> <td>1/2</td> <td>2900</td> <td>1\"/&gt;  <tr> <td>U-32</td> <td>"</td> <td>"</td> <td>V-675</td> <td>122</td> <td>1/2</td> <td>2900</td> <td>1\"/&gt;  <tr> <td>U-33</td> <td>"</td> <td>"</td> <td>V-675</td> <td>122</td> <td>1/2</td> <td>2900</td> <td>1\"/&gt;  <tr> <td>U-34</td> <td>"</td> <td>"</td> <td>V-675</td> <td>122</td> <td>1/2</td> <td>2900</td> <td>1\"/&gt;  <tr> <td>U-35</td> <td>"</td> <td>"</td> <td>V-675</td> <td>122</td> <td>1/2</td> <td>2900</td> <td>1\"/&gt;  <tr> <td>U-36</td> <td>"</td> <td>"</td> <td>V-675</td> <td>122</td> <td>1/2</td> <td>2900</td> <td>1\"/&gt;  <tr> <td>U-37</td> <td>"</td> <td>"</td> <td>V-675</td> <td>122</td> <td>1/2</td> <td>2900</td> <td>1\"/&gt;  <tr> <td>U-38</td> <td>"</td> <td>"</td> <td>V-675</td> <td>122</td> <td>1/2</td> <td>2900</td> <td>1\"/&gt;  <tr> <td>U-39</td> <td>"</td> <td>"</td> <td>V-675</td> <td>122</td> <td>1/2</td> <td>2900</td> <td>1\"/&gt;  <tr> <td>U-40</td> <td>"</td> <td>"</td> <td>V-675</td> <td>122</td> <td>1/2</td> <td>2900</td> <td>1\"/&gt;  <tr> <td>U-41</td> <td>"</td> <td>"</td> <td>V-675</td> <td>122</td> <td>1/2</td> <td>2900</td> <td>1\"/&gt;  <tr> <td>U-42</td> <td>"</td> <td>"</td> <td>V-675</td> <td>122</td> <td>1/2</td> <td>2900</td> <td>1\"/&gt;  <tr> <td>U-43</td> <td>"</td> <td>"</td> <td>V-675</td> <td>122</td> <td>1/2</td> <td>2900</td> <td>1\"/&gt;  <tr> <td>U-44</td> <td>"</td> <td>"</td> <td>V-675</td> <td>122</td> <td>1/2</td> <td>2900</td> <td>1\"/&gt;  <tr> <td>U-45</td> <td>"</td> <td>"</td> <td>V-675</td> <td>122</td> <td>1/2</td> <td>2900</td> <td>1\"/&gt;  <tr> <td>U-46</td> <td>"</td> <td>"</td> <td>V-675</td> <td>122</td> <td>1/2</td> <td>2900</td> <td>1\"/&gt;  <tr> <td>U-47</td> <td>"</td> <td>"</td> <td>V-675</td> <td>122</td> <td>1/2</td> <td>2900</td> <td>1\"/&gt;  <tr> <td>U-48</td> <td>"</td> <td>"</td> <td>V-675</td> <td>122</td> <td>1/2</td> <td>2900</td> <td>1\"/&gt;  <tr> <td>U-49</td> <td>"</td> <td>"</td> <td>V-675</td> <td>122</td> <td>1/2</td> <td>2900</td> <td>1\"/&gt;  <tr> <td>U-50</td> <td>"</td> <td>"</td> <td>V-675</td> <td>122</td> <td>1/2</td> <td>2900</td> <td>1\"/&gt;  </td></tr></td></tr></td></tr></td></tr></td></tr></td></tr></td></tr></td></tr></td></tr></td></tr></td></tr></td></tr></td></tr></td></tr></td></tr></td></tr></td></tr></td></tr></td></tr></td></tr></td></tr> | U-30 | " | " | V-675 | 122 | 1/2 | 2900 | 1\"/> <tr> <td>U-31</td> <td>"</td> <td>"</td> <td>V-675</td> <td>122</td> <td>1/2</td> <td>2900</td> <td>1\"/&gt;  <tr> <td>U-32</td> <td>"</td> <td>"</td> <td>V-675</td> <td>122</td> <td>1/2</td> <td>2900</td> <td>1\"/&gt;  <tr> <td>U-33</td> <td>"</td> <td>"</td> <td>V-675</td> <td>122</td> <td>1/2</td> <td>2900</td> <td>1\"/&gt;  <tr> <td>U-34</td> <td>"</td> <td>"</td> <td>V-675</td> <td>122</td> <td>1/2</td> <td>2900</td> <td>1\"/&gt;  <tr> <td>U-35</td> <td>"</td> <td>"</td> <td>V-675</td> <td>122</td> <td>1/2</td> <td>2900</td> <td>1\"/&gt;  <tr> <td>U-36</td> <td>"</td> <td>"</td> <td>V-675</td> <td>122</td> <td>1/2</td> <td>2900</td> <td>1\"/&gt;  <tr> <td>U-37</td> <td>"</td> <td>"</td> <td>V-675</td> <td>122</td> <td>1/2</td> <td>2900</td> <td>1\"/&gt;  <tr> <td>U-38</td> <td>"</td> <td>"</td> <td>V-675</td> <td>122</td> <td>1/2</td> <td>2900</td> <td>1\"/&gt;  <tr> <td>U-39</td> <td>"</td> <td>"</td> <td>V-675</td> <td>122</td> <td>1/2</td> <td>2900</td> <td>1\"/&gt;  <tr> <td>U-40</td> <td>"</td> <td>"</td> <td>V-675</td> <td>122</td> <td>1/2</td> <td>2900</td> <td>1\"/&gt;  <tr> <td>U-41</td> <td>"</td> <td>"</td> <td>V-675</td> <td>122</td> <td>1/2</td> <td>2900</td> <td>1\"/&gt;  <tr> <td>U-42</td> <td>"</td> <td>"</td> <td>V-675</td> <td>122</td> <td>1/2</td> <td>2900</td> <td>1\"/&gt;  <tr> <td>U-43</td> <td>"</td> <td>"</td> <td>V-675</td> <td>122</td> <td>1/2</td> <td>2900</td> <td>1\"/&gt;  <tr> <td>U-44</td> <td>"</td> <td>"</td> <td>V-675</td> <td>122</td> <td>1/2</td> <td>2900</td> <td>1\"/&gt;  <tr> <td>U-45</td> <td>"</td> <td>"</td> <td>V-675</td> <td>122</td> <td>1/2</td> <td>2900</td> <td>1\"/&gt;  <tr> <td>U-46</td> <td>"</td> <td>"</td> <td>V-675</td> <td>122</td> <td>1/2</td> <td>2900</td> <td>1\"/&gt;  <tr> <td>U-47</td> <td>"</td> <td>"</td> <td>V-675</td> <td>122</td> <td>1/2</td> <td>2900</td> <td>1\"/&gt;  <tr> <td>U-48</td> <td>"</td> <td>"</td> <td>V-675</td> <td>122</td> <td>1/2</td> <td>2900</td> <td>1\"/&gt;  <tr> <td>U-49</td> <td>"</td> <td>"</td> <td>V-675</td> <td>122</td> <td>1/2</td>
<td>2900</td> <td>1\"/&gt;  <tr> <td>U-50</td> <td>"</td> <td>"</td> <td>V-675</td> <td>122</td> <td>1/2</td> <td>2900</td> <td>1\"/&gt;  </td></tr></td></tr></td></tr></td></tr></td></tr></td></tr></td></tr></td></tr></td></tr></td></tr></td></tr></td></tr></td></tr></td></tr></td></tr></td></tr></td></tr></td></tr></td></tr></td></tr> | U-31 | " | " | V-675 | 122 | 1/2 | 2900 | 1\"/> <tr> <td>U-32</td> <td>"</td> <td>"</td> <td>V-675</td> <td>122</td> <td>1/2</td> <td>2900</td> <td>1\"/&gt;  <tr> <td>U-33</td> <td>"</td> <td>"</td> <td>V-675</td> <td>122</td> <td>1/2</td> <td>2900</td> <td>1\"/&gt;  <tr> <td>U-34</td> <td>"</td> <td>"</td> <td>V-675</td> <td>122</td> <td>1/2</td> <td>2900</td> <td>1\"/&gt;  <tr> <td>U-35</td> <td>"</td> <td>"</td> <td>V-675</td> <td>122</td> <td>1/2</td> <td>2900</td> <td>1\"/&gt;  <tr> <td>U-36</td> <td>"</td> <td>"</td> <td>V-675</td> <td>122</td> <td>1/2</td> <td>2900</td> <td>1\"/&gt;  <tr> <td>U-37</td> <td>"</td> <td>"</td> <td>V-675</td> <td>122</td> <td>1/2</td> <td>2900</td> <td>1\"/&gt;  <tr> <td>U-38</td> <td>"</td> <td>"</td> <td>V-675</td> <td>122</td> <td>1/2</td> <td>2900</td> <td>1\"/&gt;  <tr> <td>U-39</td> <td>"</td> <td>"</td> <td>V-675</td> <td>122</td> <td>1/2</td> <td>2900</td> <td>1\"/&gt;  <tr> <td>U-40</td> <td>"</td> <td>"</td> <td>V-675</td> <td>122</td> <td>1/2</td> <td>2900</td> <td>1\"/&gt;  <tr> <td>U-41</td> <td>"</td> <td>"</td> <td>V-675</td> <td>122</td> <td>1/2</td> <td>2900</td> <td>1\"/&gt;  <tr> <td>U-42</td> <td>"</td> <td>"</td> <td>V-675</td> <td>122</td> <td>1/2</td> <td>2900</td> <td>1\"/&gt;  <tr> <td>U-43</td> <td>"</td> <td>"</td> <td>V-675</td> <td>122</td> <td>1/2</td> <td>2900</td> <td>1\"/&gt;  <tr> <td>U-44</td> <td>"</td> <td>"</td> <td>V-675</td> <td>122</td> <td>1/2</td> <td>2900</td> <td>1\"/&gt;  <tr> <td>U-45</td> <td>"</td> <td>"</td> <td>V-675</td> <td>122</td> <td>1/2</td> <td>2900</td> <td>1\"/&gt;  <tr> <td>U-46</td> <td>"</td> <td>"</td> <td>V-675</td> <td>122</td> <td>1/2</td> <td>2900</td> <td>1\"/&gt;  <tr> <td>U-47</td> <td>"</td> <td>"</td> <td>V-675</td> <td>122</td> <td>1/2</td> <td>2900</td> <td>1\"/&gt;  <tr> <td>U-48</td> <td>"</td> <td>"</td> <td>V-675</td> <td>122</td> <td>1/2</td> <td>2900</td> <td>1\"/&gt;  <tr> <td>U-49</td> <td>"</td> <td>"</td> <td>V-675</td> <td>122</td> <td>1/2</td> <td>2900</td> <td>1\"/&gt;  <tr> <td>U-50</td> <td>"</td> <td>"</td> <td>V-675</td> <td>122</td> <td>1/2</td> <td>2900</td> <td>1\"/&gt;  </td></tr></td></tr></td></tr></td></tr></td></tr></td></tr></td></tr></td></tr></td></tr></td></tr></td></tr></td></tr></td></tr></td></tr></td></tr></td></tr></td></tr></td></tr></td></tr> | U-32 | " | " | V-675 | 122 | 1/2 | 2900 | 1\"/> <tr> <td>U-33</td> <td>"</td> <td>"</td> <td>V-675</td> <td>122</td> <td>1/2</td> <td>2900</td> <td>1\"/&gt;  <tr> <td>U-34</td> <td>"</td> <td>"</td> <td>V-675</td> <td>122</td> <td>1/2</td> <td>2900</td> <td>1\"/&gt;  <tr> <td>U-35</td> <td>"</td> <td>"</td> <td>V-675</td> <td>122</td> <td>1/2</td> <td>2900</td> <td>1\"/&gt;  <tr> <td>U-36</td> <td>"</td> <td>"</td> <td>V-675</td> <td>122</td> <td>1/2</td> <td>2900</td> <td>1\"/&gt;  <tr> <td>U-37</td> <td>"</td> <td>"</td> <td>V-675</td> <td>122</td> <td>1/2</td> <td>2900</td> <td>1\"/&gt;  <tr> <td>U-38</td> <td>"</td> <td>"</td> <td>V-675</td> <td>122</td> <td>1/2</td> <td>2900</td> <td>1\"/&gt;  <tr> <td>U-39</td> <td>"</td> <td>"</td> <td>V-675</td> <td>122</td> <td>1/2</td> <td>2900</td> <td>1\"/&gt;  <tr> <td>U-40</td> <td>"</td> <td>"</td> <td>V-675</td> <td>122</td> <td>1/2</td> <td>2900</td> <td>1\"/&gt;  <tr> <td>U-41</td> <td>"</td> <td>"</td> <td>V-675</td> <td>122</td> <td>1/2</td> <td>2900</td> <td>1\"/&gt;  <tr> <td>U-42</td> <td>"</td> <td>"</td> <td>V-675</td> <td>122</td> <td>1/2</td> <td>2900</td> <td>1\"/&gt;  <tr> <td>U-43</td> <td>"</td> <td>"</td> <td>V-675</td> <td>122</td> <td>1/2</td> <td>2900</td> <td>1\"/&gt;  <tr> <td>U-44</td> <td>"</td> <td>"</td> <td>V-675</td> <td>122</td> <td>1/2</td> <td>2900</td> <td>1\"/&gt;  <tr> <td>U-45</td> <td>"</td> <td>"</td> <td>V-675</td> <td>122</td> <td>1/2</td> <td>2900</td> <td>1\"/&gt;  <tr> <td>U-46</td> <td>"</td> <td>"</td> <td>V-675</td> <td>122</td> <td>1/2</td> <td>2900</td> <td>1\"/&gt;  <tr> <td>U-47</td> <td>"</td> <td>"</td> <td>V-675</td> <td>122</td> <td>1/2</td> <td>2900</td> <td>1\"/&gt;  <tr> <td>U-48</td> <td>"</td> <td>"</td> <td>V-675</td> <td>122</td> <td>1/2</td> <td>2900</td> <td>1\"/&gt;  <tr> <td>U-49</td> <td>"</td> <td>"</td> <td>V-675</td> <td>122</td> <td>1/2</td> <td>2900</td> <td>1\"/&gt;  <tr> <td>U-50</td> <td>"</td> <td>"</td> <td>V-675</td> <td>122</td> <td>1/2</td> <td>2900</td> <td>1\"/&gt;  </td></tr></td></tr></td></tr></td></tr></td></tr></td></tr></td></tr></td></tr></td></tr></td></tr></td></tr></td></tr></td></tr></td></tr></td></tr></td></tr></td></tr></td></tr> | U-33 | " | " | V-675 | 122 | 1/2 | 2900 | 1\"/> <tr> <td>U-34</td> <td>"</td> <td>"</td> <td>V-675</td> <td>122</td> <td>1/2</td> <td>2900</td> <td>1\"/&gt;  <tr> <td>U-35</td> <td>"</td> <td>"</td> <td>V-675</td> <td>122</td> <td>1/2</td> <td>2900</td> <td>1\"/&gt;  <tr> <td>U-36</td> <td>"</td> <td>"</td> <td>V-675</td> <td>122</td> <td>1/2</td> <td>2900</td> <td>1\"/&gt;  <tr> <td>U-37</td> <td>"</td> <td>"</td> <td>V-675</td> <td>122</td> <td>1/2</td> <td>2900</td> <td>1\"/&gt;  <tr> <td>U-38</td> <td>"</td> <td>"</td> <td>V-675</td> <td>122</td> <td>1/2</td> <td>2900</td> <td>1\"/&gt;  <tr> <td>U-39</td> <td>"</td> <td>"</td> <td>V-675</td> <td>122</td> <td>1/2</td> <td>2900</td> <td>1\"/&gt;  <tr> <td>U-40</td> <td>"</td> <td>"</td> <td>V-675</td> <td>122</td> <td>1/2</td> <td>2900</td> <td>1\"/&gt;  <tr> <td>U-41</td> <td>"</td> <td>"</td> <td>V-675</td> <td>122</td> <td>1/2</td> <td>2900</td> <td>1\"/&gt;  <tr> <td>U-42</td> <td>"</td> <td>"</td> <td>V-675</td> <td>122</td> <td>1/2</td> <td>2900</td> <td>1\"/&gt;  <tr> <td>U-43</td> <td>"</td> <td>"</td> <td>V-675</td> <td>122</td> <td>1/2</td> <td>2900</td> <td>1\"/&gt;  <tr> <td>U-44</td> <td>"</td> <td>"</td> <td>V-675</td> <td>122</td> <td>1/2</td> <td>2900</td> <td>1\"/&gt;  <tr> <td>U-45</td> <td>"</td> <td>"</td> <td>V-675</td> <td>122</td> <td>1/2</td> <td>2900</td> <td>1\"/&gt;  <tr> <td>U-46</td> <td>"</td> <td>"</td> <td>V-675</td> <td>122</td> <td>1/2</td> <td>2900</td> <td>1\"/&gt;  <tr> <td>U-47</td> <td>"</td> <td>"</td> <td>V-675</td> <td>122</td> <td>1/2</td> <td>2900</td> <td>1\"/&gt;  <tr> <td>U-48</td> <td>"</td> <td>"</td> <td>V-675</td> <td>122</td> <td>1/2</td> <td>2900</td> <td>1\"/&gt;  <tr> <td>U-49</td> <td>"</td> <td>"</td> <td>V-675</td> <td>122</td> <td>1/2</td> <td>2900</td> <td>1\"/&gt;  <tr> <td>U-50</td> <td>"</td> <td>"</td> <td>V-675</td> <td>122</td> <td>1/2</td> <td>2900</td> <td>1\"/&gt;  </td></tr></td></tr></td></tr></td></tr></td></tr></td></tr></td></tr></td></tr></td></tr></td></tr></td></tr></td></tr></td></tr></td></tr></td></tr></td></tr></td></tr> | U-34 | " | " | V-675 | 122 | 1/2 | 2900 | 1\"/> <tr> <td>U-35</td> <td>"</td> <td>"</td> <td>V-675</td> <td>122</td> <td>1/2</td> <td>2900</td> <td>1\"/&gt;  <tr> <td>U-36</td> <td>"</td> <td>"</td> <td>V-675</td> <td>122</td> <td>1/2</td> <td>2900</td> <td>1\"/&gt;  <tr> <td>U-37</td> <td>"</td> <td>"</td> <td>V-675</td> <td>122</td> <td>1/2</td> <td>2900</td> <td>1\"/&gt;  <tr> <td>U-38</td> <td>"</td> <td>"</td> <td>V-675</td> <td>122</td> <td>1/2</td> <td>2900</td> <td>1\"/&gt;  <tr> <td>U-39</td> <td>"</td> <td>"</td> <td>V-675</td> <td>122</td> <td>1/2</td> <td>2900</td> <td>1\"/&gt;  <tr> <td>U-40</td> <td>"</td> <td>"</td> <td>V-675</td> <td>122</td> <td>1/2</td> <td>2900</td> <td>1\"/&gt;  <tr> <td>U-41</td> <td>"</td> <td>"</td> <td>V-675</td> <td>122</td> <td>1/2</td> <td>2900</td> <td>1\"/&gt;  <tr> <td>U-42</td> <td>"</td> <td>"</td> <td>V-675</td> <td>122</td> <td>1/2</td> <td>2900</td> <td>1\"/&gt;  <tr> <td>U-43</td> <td>"</td> <td>"</td> <td>V-675</td> <td>122</td> <td>1/2</td> <td>2900</td> <td>1\"/&gt;  <tr> <td>U-44</td> <td>"</td> <td>"</td> <td>V-675</td> <td>122</td> <td>1/2</td> <td>2900</td> <td>1\"/&gt;  <tr> <td>U-45</td> <td>"</td> <td>"</td> <td>V-675</td> <td>122</td> <td>1/2</td> <td>2900</td> <td>1\"/&gt;  <tr> <td>U-46</td> <td>"</td> <td>"</td> <td>V-675</td> <td>122</td> <td>1/2</td> <td>2900</td> <td>1\"/&gt;  <tr> <td>U-47</td> <td>"</td> <td>"</td> <td>V-675</td> <td>122</td> <td>1/2</td> <td>2900</td> <td>1\"/&gt;  <tr> <td>U-48</td> <td>"</td> <td>"</td> <td>V-675</td> <td>122</td> <td>1/2</td> <td>2900</td> <td>1\"/&gt;  <tr> <td>U-49</td> <td>"</td> <td>"</td> <td>V-675</td> <td>122</td> <td>1/2</td> <td>2900</td> <td>1\"/&gt;  <tr> <td>U-50</td> <td>"</td> <td>"</td> <td>V-675</td> <td>122</td> <td>1/2</td> <td>2900</td> <td>1\"/&gt;  </td></tr></td></tr></td></tr></td></tr></td></tr></td></tr></td></tr></td></tr></td></tr></td></tr></td></tr></td></tr></td></tr></td></tr></td></tr></td></tr> | U-35 | " | " | V-675 | 122 | 1/2 | 2900 | 1\"/> <tr> <td>U-36</td> <td>"</td> <td>"</td> <td>V-675</td> <td>122</td> <td>1/2</td> <td>2900</td> <td>1\"/&gt;  <tr> <td>U-37</td> <td>"</td> <td>"</td> <td>V-675</td> <td>122</td> <td>1/2</td> <td>2900</td> <td>1\"/&gt;  <tr> <td>U-38</td> <td>"</td> <td>"</td> <td>V-675</td> <td>122</td> <td>1/2</td> <td>2900</td> <td>1\"/&gt;  <tr> <td>U-39</td> <td>"</td> <td>"</td> <td>V-675</td> <td>122</td> <td>1/2</td> <td>2900</td> <td>1\"/&gt;  <tr> <td>U-40</td> <td>"</td> <td>"</td> <td>V-675</td> <td>122</td> <td>1/2</td> <td>2900</td> <td>1\"/&gt;  <tr> <td>U-41</td> <td>"</td> <td>"</td> <td>V-675</td> <td>122</td> <td>1/2</td> <td>2900</td> <td>1\"/&gt;  <tr> <td>U-42</td> <td>"</td> <td>"</td> <td>V-675</td> <td>122</td> <td>1/2</td> <td>2900</td> <td>1\"/&gt;  <tr> <td>U-43</td> <td>"</td> <td>"</td> <td>V-675</td> <td>122</td> <td>1/2</td> <td>2900</td> <td>1\"/&gt;  <tr> <td>U-44</td> <td>"</td> <td>"</td> <td>V-675</td> <td>122</td> <td>1/2</td> <td>2900</td> <td>1\"/&gt;  <tr>
<td>U-45</td> <td>"</td> <td>"</td> <td>V-675</td> <td>122</td> <td>1/2</td> <td>2900</td> <td>1\"/&gt;  <tr> <td>U-46</td> <td>"</td> <td>"</td> <td>V-675</td> <td>122</td> <td>1/2</td> <td>2900</td> <td>1\"/&gt;  <tr> <td>U-47</td> <td>"</td> <td>"</td> <td>V-675</td> <td>122</td> <td>1/2</td> <td>2900</td> <td>1\"/&gt;  <tr> <td>U-48</td> <td>"</td> <td>"</td> <td>V-675</td> <td>122</td> <td>1/2</td> <td>2900</td> <td>1\"/&gt;  <tr> <td>U-49</td> <td>"</td> <td>"</td> <td>V-675</td> <td>122</td> <td>1/2</td> <td>2900</td> <td>1\"/&gt;  <tr> <td>U-50</td> <td>"</td> <td>"</td> <td>V-675</td> <td>122</td> <td>1/2</td> <td>2900</td> <td>1\"/&gt;  </td></tr></td></tr></td></tr></td></tr></td></tr></td></tr></td></tr></td></tr></td></tr></td></tr></td></tr></td></tr></td></tr></td></tr></td></tr> | U-36 | " | " | V-675 | 122 | 1/2 | 2900 | 1\"/> <tr> <td>U-37</td> <td>"</td> <td>"</td> <td>V-675</td> <td>122</td> <td>1/2</td> <td>2900</td> <td>1\"/&gt;  <tr> <td>U-38</td> <td>"</td> <td>"</td> <td>V-675</td> <td>122</td> <td>1/2</td> <td>2900</td> <td>1\"/&gt;  <tr> <td>U-39</td> <td>"</td> <td>"</td> <td>V-675</td> <td>122</td> <td>1/2</td> <td>2900</td> <td>1\"/&gt;  <tr> <td>U-40</td> <td>"</td> <td>"</td> <td>V-675</td> <td>122</td> <td>1/2</td> <td>2900</td> <td>1\"/&gt;  <tr> <td>U-41</td> <td>"</td> <td>"</td> <td>V-675</td> <td>122</td> <td>1/2</td> <td>2900</td> <td>1\"/&gt;  <tr> <td>U-42</td> <td>"</td> <td>"</td> <td>V-675</td> <td>122</td> <td>1/2</td> <td>2900</td> <td>1\"/&gt;  <tr> <td>U-43</td> <td>"</td> <td>"</td> <td>V-675</td> <td>122</td> <td>1/2</td> <td>2900</td> <td>1\"/&gt;  <tr> <td>U-44</td> <td>"</td> <td>"</td> <td>V-675</td> <td>122</td> <td>1/2</td> <td>2900</td> <td>1\"/&gt;  <tr> <td>U-45</td> <td>"</td> <td>"</td> <td>V-675</td> <td>122</td> <td>1/2</td> <td>2900</td> <td>1\"/&gt;  <tr> <td>U-46</td> <td>"</td> <td>"</td> <td>V-675</td> <td>122</td> <td>1/2</td> <td>2900</td> <td>1\"/&gt;  <tr> <td>U-47</td> <td>"</td> <td>"</td> <td>V-675</td> <td>122</td> <td>1/2</td> <td>2900</td> <td>1\"/&gt;  <tr> <td>U-48</td> <td>"</td> <td>"</td> <td>V-675</td> <td>122</td> <td>1/2</td> <td>2900</td> <td>1\"/&gt;  <tr> <td>U-49</td> <td>"</td> <td>"</td> <td>V-675</td> <td>122</td> <td>1/2</td> <td>2900</td> <td>1\"/&gt;  <tr> <td>U-50</td> <td>"</td> <td>"</td> <td>V-675</td> <td>122</td> <td>1/2</td> <td>2900</td> <td>1\"/&gt;  </td></tr></td></tr></td></tr></td></tr></td></tr></td></tr></td></tr></td></tr></td></tr></td></tr></td></tr></td></tr></td></tr></td></tr> | U-37 | " | " | V-675 | 122 | 1/2 | 2900 | 1\"/> <tr> <td>U-38</td> <td>"</td> <td>"</td> <td>V-675</td> <td>122</td> <td>1/2</td> <td>2900</td> <td>1\"/&gt;  <tr> <td>U-39</td> <td>"</td> <td>"</td> <td>V-675</td> <td>122</td> <td>1/2</td> <td>2900</td> <td>1\"/&gt;  <tr> <td>U-40</td> <td>"</td> <td>"</td> <td>V-675</td> <td>122</td> <td>1/2</td> <td>2900</td> <td>1\"/&gt;  <tr> <td>U-41</td> <td>"</td> <td>"</td> <td>V-675</td> <td>122</td> <td>1/2</td> <td>2900</td> <td>1\"/&gt;  <tr> <td>U-42</td> <td>"</td> <td>"</td> <td>V-675</td> <td>122</td> <td>1/2</td> <td>2900</td> <td>1\"/&gt;  <tr> <td>U-43</td> <td>"</td> <td>"</td> <td>V-675</td> <td>122</td> <td>1/2</td> <td>2900</td> <td>1\"/&gt;  <tr> <td>U-44</td> <td>"</td> <td>"</td> <td>V-675</td> <td>122</td> <td>1/2</td> <td>2900</td> <td>1\"/&gt;  <tr> <td>U-45</td> <td>"</td> <td>"</td> <td>V-675</td> <td>122</td> <td>1/2</td> <td>2900</td> <td>1\"/&gt;  <tr> <td>U-46</td> <td>"</td> <td>"</td> <td>V-675</td> <td>122</td> <td>1/2</td> <td>2900</td> <td>1\"/&gt;  <tr> <td>U-47</td> <td>"</td> <td>"</td> <td>V-675</td> <td>122</td> <td>1/2</td> <td>2900</td> <td>1\"/&gt;  <tr> <td>U-48</td> <td>"</td> <td>"</td> <td>V-675</td> <td>122</td> <td>1/2</td> <td>2900</td> <td>1\"/&gt;  <tr> <td>U-49</td> <td>"</td> <td>"</td> <td>V-675</td> <td>122</td> <td>1/2</td> <td>2900</td> <td>1\"/&gt;  <tr> <td>U-50</td> <td>"</td> <td>"</td> <td>V-675</td> <td>122</td> <td>1/2</td> <td>2900</td> <td>1\"/&gt;  </td></tr></td></tr></td></tr></td></tr></td></tr></td></tr></td></tr></td></tr></td></tr></td></tr></td></tr></td></tr></td></tr> | U-38 | " | " | V-675 | 122 | 1/2 | 2900 | 1\"/> <tr> <td>U-39</td> <td>"</td> <td>"</td> <td>V-675</td> <td>122</td> <td>1/2</td> <td>2900</td> <td>1\"/&gt;  <tr> <td>U-40</td> <td>"</td> <td>"</td> <td>V-675</td> <td>122</td> <td>1/2</td> <td>2900</td> <td>1\"/&gt;  <tr> <td>U-41</td> <td>"</td> <td>"</td> <td>V-675</td> <td>122</td> <td>1/2</td> <td>2900</td> <td>1\"/&gt;  <tr> <td>U-42</td> <td>"</td> <td>"</td> <td>V-675</td> <td>122</td> <td>1/2</td> <td>2900</td> <td>1\"/&gt;  <tr> <td>U-43</td> <td>"</td> <td>"</td> <td>V-675</td> <td>122</td> <td>1/2</td> <td>2900</td> <td>1\"/&gt;  <tr> <td>U-44</td> <td>"</td> <td>"</td> <td>V-675</td> <td>122</td> <td>1/2</td> <td>2900</td> <td>1\"/&gt;  <tr> <td>U-45</td> <td>"</td> <td>"</td> <td>V-675</td> <td>122</td> <td>1/2</td> <td>2900</td> <td>1\"/&gt;  <tr> <td>U-46</td> <td>"</td> <td>"</td> <td>V-675</td> <td>122</td> <td>1/2</td> <td>2900</td> <td>1\"/&gt;  <tr> <td>U-47</td> <td>"</td> <td>"</td> <td>V-675</td> <td>122</td> <td>1/2</td> <td>2900</td> <td>1\"/&gt;  <tr> <td>U-48</td> <td>"</td> <td>"</td> <td>V-675</td> <td>122</td> <td>1/2</td> <td>2900</td> <td>1\"/&gt;  <tr> <td>U-49</td> <td>"</td> <td>"</td> <td>V-675</td> <td>122</td> <td>1/2</td> <td>2900</td> <td>1\"/&gt;  <tr> <td>U-50</td> <td>"</td> <td>"</td> <td>V-675</td> <td>122</td> <td>1/2</td> <td>2900</td> <td>1\"/&gt;  </td></tr></td></tr></td></tr></td></tr></td></tr></td></tr></td></tr></td></tr></td></tr></td></tr></td></tr></td></tr> | U-39 | " | " | V-675 | 122 | 1/2 | 2900 | 1\"/> <tr> <td>U-40</td> <td>"</td> <td>"</td> <td>V-675</td> <td>122</td> <td>1/2</td> <td>2900</td> <td>1\"/&gt;  <tr> <td>U-41</td> <td>"</td> <td>"</td> <td>V-675</td> <td>122</td> <td>1/2</td> <td>2900</td> <td>1\"/&gt;  <tr> <td>U-42</td> <td>"</td> <td>"</td> <td>V-675</td> <td>122</td> <td>1/2</td> <td>2900</td> <td>1\"/&gt;  <tr> <td>U-43</td> <td>"</td> <td>"</td> <td>V-675</td> <td>122</td> <td>1/2</td> <td>2900</td> <td>1\"/&gt;  <tr> <td>U-44</td> <td>"</td> <td>"</td> <td>V-675</td> <td>122</td> <td>1/2</td> <td>2900</td> <td>1\"/&gt;  <tr> <td>U-45</td> <td>"</td> <td>"</td> <td>V-675</td> <td>122</td> <td>1/2</td> <td>2900</td> <td>1\"/&gt;  <tr> <td>U-46</td> <td>"</td> <td>"</td> <td>V-675</td> <td>122</td> <td>1/2</td> <td>2900</td> <td>1\"/&gt;  <tr> <td>U-47</td> <td>"</td> <td>"</td> <td>V-675</td> <td>122</td> <td>1/2</td> <td>2900</td> <td>1\"/&gt;  <tr> <td>U-48</td> <td>"</td> <td>"</td> <td>V-675</td> <td>122</td> <td>1/2</td> <td>2900</td> <td>1\"/&gt;  <tr> <td>U-49</td> <td>"</td> <td>"</td> <td>V-675</td> <td>122</td> <td>1/2</td> <td>2900</td> <td>1\"/&gt;  <tr> <td>U-50</td> <td>"</td> <td>"</td> <td>V-675</td> <td>122</td> <td>1/2</td> <td>2900</td> <td>1\"/&gt;  </td></tr></td></tr></td></tr></td></tr></td></tr></td></tr></td></tr></td></tr></td></tr></td></tr></td></tr> | U-40 | " | " | V-675 | 122 | 1/2 | 2900 | 1\"/> <tr> <td>U-41</td> <td>"</td> <td>"</td> <td>V-675</td> <td>122</td> <td>1/2</td> <td>2900</td> <td>1\"/&gt;  <tr> <td>U-42</td> <td>"</td> <td>"</td> <td>V-675</td> <td>122</td> <td>1/2</td> <td>2900</td> <td>1\"/&gt;  <tr> <td>U-43</td> <td>"</td> <td>"</td> <td>V-675</td> <td>122</td> <td>1/2</td> <td>2900</td> <td>1\"/&gt;  <tr> <td>U-44</td> <td>"</td> <td>"</td> <td>V-675</td> <td>122</td> <td>1/2</td> <td>2900</td> <td>1\"/&gt;  <tr> <td>U-45</td> <td>"</td> <td>"</td> <td>V-675</td> <td>122</td> <td>1/2</td> <td>2900</td> <td>1\"/&gt;  <tr> <td>U-46</td> <td>"</td> <td>"</td> <td>V-675</td> <td>122</td> <td>1/2</td> <td>2900</td> <td>1\"/&gt;  <tr> <td>U-47</td> <td>"</td> <td>"</td> <td>V-675</td> <td>122</td> <td>1/2</td> <td>2900</td> <td>1\"/&gt;  <tr> <td>U-48</td> <td>"</td> <td>"</td> <td>V-675</td> <td>122</td> <td>1/2</td> <td>2900</td> <td>1\"/&gt;  <tr> <td>U-49</td> <td>"</td> <td>"</td> <td>V-675</td> <td>122</td> <td>1/2</td> <td>2900</td> <td>1\"/&gt;  <tr> <td>U-50</td> <td>"</td> <td>"</td> <td>V-675</td> <td>122</td> <td>1/2</td> <td>2900</td> <td>1\"/&gt;  </td></tr></td></tr></td></tr></td></tr></td></tr></td></tr></td></tr></td></tr></td></tr></td></tr> | U-41 | " | " | V-675 | 122 | 1/2 | 2900 | 1\"/> <tr> <td>U-42</td> <td>"</td> <td>"</td> <td>V-675</td> <td>122</td> <td>1/2</td> <td>2900</td> <td>1\"/&gt;  <tr> <td>U-43</td> <td>"</td> <td>"</td> <td>V-675</td> <td>122</td> <td>1/2</td> <td>2900</td> <td>1\"/&gt;  <tr> <td>U-44</td> <td>"</td> <td>"</td> <td>V-675</td> <td>122</td> <td>1/2</td> <td>2900</td> <td>1\"/&gt;  <tr> <td>U-45</td> <td>"</td> <td>"</td> <td>V-675</td> <td>122</td> <td>1/2</td> <td>2900</td> <td>1\"/&gt;  <tr> <td>U-46</td> <td>"</td> <td>"</td> <td>V-675</td> <td>122</td> <td>1/2</td> <td>2900</td> <td>1\"/&gt;  <tr> <td>U-47</td> <td>"</td> <td>"</td> <td>V-675</td> <td>122</td> <td>1/2</td> <td>2900</td> <td>1\"/&gt;  <tr> <td>U-48</td> <td>"</td> <td>"</td> <td>V-675</td> <td>122</td> <td>1/2</td> <td>2900</td> <td>1\"/&gt;  <tr> <td>U-49</td> <td>"</td> <td>"</td> <td>V-675</td> <td>122</td> <td>1/2</td> <td>2900</td> <td>1\"/&gt;  <tr> <td>U-50</td> <td>"</td> <td>"</td> <td>V-675</td> <td>122</td> <td>1/2</td> <td>2900</td> <td>1\"/&gt;  </td></tr></td></tr></td></tr></td></tr></td></tr></td></tr></td></tr></td></tr></td></tr> | U-42 | " | " | V-675 | 122 | 1/2 | 2900 | 1\"/> <tr> <td>U-43</td> <td>"</td> <td>"</td> <td>V-675</td> <td>122</td> <td>1/2</td> <td>2900</td> <td>1\"/&gt;  <tr> <td>U-44</td> <td>"</td> <td>"</td> <td>V-675</td> <td>122</td> <td>1/2</td> <td>2900</td> <td>1\"/&gt;  <tr> <td>U-45</td> <td>"</td> <td>"</td> <td>V-675</td> <td>122</td> <td>1/2</td> <td>2900</td> <td>1\"/&gt;  <tr> <td>U-46</td> <td>"</td> <td>"</td> <td>V-675</td> <td>122</td> <td>1/2</td> <td>2900</td> <td>1\"/&gt;  <tr> <td>U-47</td> <td>"</td> <td>"</td> <td>V-675</td> <td>122</td> <td>1/2</td> <td>2900</td> <td>1\"/&gt;  <tr>
<td>U-48</td> <td>"</td> <td>"</td> <td>V-675</td> <td>122</td> <td>1/2</td> <td>2900</td> <td>1\"/&gt;  <tr> <td>U-49</td> <td>"</td> <td>"</td> <td>V-675</td> <td>122</td> <td>1/2</td> <td>2900</td> <td>1\"/&gt;  <tr> <td>U-50</td> <td>"</td> <td>"</td> <td>V-675</td> <td>122</td> <td>1/2</td> <td>2900</td> <td>1\"/&gt;  </td></tr></td></tr></td></tr></td></tr></td></tr></td></tr></td></tr></td></tr> | U-43 | " | " | V-675 | 122 | 1/2 | 2900 | 1\"/> <tr> <td>U-44</td> <td>"</td> <td>"</td> <td>V-675</td> <td>122</td> <td>1/2</td> <td>2900</td> <td>1\"/&gt;  <tr> <td>U-45</td> <td>"</td> <td>"</td> <td>V-675</td> <td>122</td> <td>1/2</td> <td>2900</td> <td>1\"/&gt;  <tr> <td>U-46</td> <td>"</td> <td>"</td> <td>V-675</td> <td>122</td> <td>1/2</td> <td>2900</td> <td>1\"/&gt;  <tr> <td>U-47</td> <td>"</td> <td>"</td> <td>V-675</td> <td>122</td> <td>1/2</td> <td>2900</td> <td>1\"/&gt;  <tr> <td>U-48</td> <td>"</td> <td>"</td> <td>V-675</td> <td>122</td> <td>1/2</td> <td>2900</td> <td>1\"/&gt;  <tr> <td>U-49</td> <td>"</td> <td>"</td> <td>V-675</td> <td>122</td> <td>1/2</td> <td>2900</td> <td>1\"/&gt;  <tr> <td>U-50</td> <td>"</td> <td>"</td> <td>V-675</td> <td>122</td> <td>1/2</td> <td>2900</td> <td>1\"/&gt;  </td></tr></td></tr></td></tr></td></tr></td></tr></td></tr></td></tr> | U-44 | " | " | V-675 | 122 | 1/2 | 2900 | 1\"/> <tr> <td>U-45</td> <td>"</td> <td>"</td> <td>V-675</td> <td>122</td> <td>1/2</td> <td>2900</td> <td>1\"/&gt;  <tr> <td>U-46</td> <td>"</td> <td>"</td> <td>V-675</td> <td>122</td> <td>1/2</td> <td>2900</td> <td>1\"/&gt;  <tr> <td>U-47</td> <td>"</td> <td>"</td> <td>V-675</td> <td>122</td> <td>1/2</td> <td>2900</td> <td>1\"/&gt;  <tr> <td>U-48</td> <td>"</td> <td>"</td> <td>V-675</td> <td>122</td> <td>1/2</td> <td>2900</td> <td>1\"/&gt;  <tr> <td>U-49</td> <td>"</td> <td>"</td> <td>V-675</td> <td>122</td> <td>1/2</td> <td>2900</td> <td>1\"/&gt;  <tr> <td>U-50</td> <td>"</td> <td>"</td> <td>V-675</td> <td>122</td> <td>1/2</td> <td>2900</td> <td>1\"/&gt;  </td></tr></td></tr></td></tr></td></tr></td></tr></td></tr> | U-45 | " | " | V-675 | 122 | 1/2 | 2900 | 1\"/> <tr> <td>U-46</td> <td>"</td> <td>"</td> <td>V-675</td> <td>122</td> <td>1/2</td> <td>2900</td> <td>1\"/&gt;  <tr> <td>U-47</td> <td>"</td> <td>"</td> <td>V-675</td> <td>122</td> <td>1/2</td> <td>2900</td> <td>1\"/&gt;  <tr> <td>U-48</td> <td>"</td> <td>"</td> <td>V-675</td> <td>122</td> <td>1/2</td> <td>2900</td> <td>1\"/&gt;  <tr> <td>U-49</td> <td>"</td> <td>"</td> <td>V-675</td> <td>122</td> <td>1/2</td> <td>2900</td> <td>1\"/&gt;  <tr> <td>U-50</td> <td>"</td> <td>"</td> <td>V-675</td> <td>122</td> <td>1/2</td> <td>2900</td> <td>1\"/&gt;  </td></tr></td></tr></td></tr></td></tr></td></tr> | U-46 | " | " | V-675 | 122 | 1/2 | 2900 | 1\"/> <tr> <td>U-47</td> <td>"</td> <td>"</td> <td>V-675</td> <td>122</td> <td>1/2</td> <td>2900</td> <td>1\"/&gt;  <tr> <td>U-48</td> <td>"</td> <td>"</td> <td>V-675</td> <td>122</td> <td>1/2</td> <td>2900</td> <td>1\"/&gt;  <tr> <td>U-49</td> <td>"</td> <td>"</td> <td>V-675</td> <td>122</td> <td>1/2</td> <td>2900</td> <td>1\"/&gt;  <tr> <td>U-50</td> <td>"</td> <td>"</td> <td>V-675</td> <td>122</td> <td>1/2</td> <td>2900</td> <td>1\"/&gt;  </td></tr></td></tr></td></tr></td></tr> | U-47 | " | " | V-675 | 122 | 1/2 | 2900 | 1\"/> <tr> <td>U-48</td> <td>"</td> <td>"</td> <td>V-675</td> <td>122</td> <td>1/2</td> <td>2900</td> <td>1\"/&gt;  <tr> <td>U-49</td> <td>"</td> <td>"</td> <td>V-675</td> <td>122</td> <td>1/2</td> <td>2900</td> <td>1\"/&gt;  <tr> <td>U-50</td> <td>"</td> <td>"</td> <td>V-675</td> <td>122</td> <td>1/2</td> <td>2900</td> <td>1\"/&gt;  </td></tr></td></tr></td></tr> | U-48 | " | " | V-675 | 122 | 1/2 | 2900 | 1\"/> <tr> <td>U-49</td> <td>"</td> <td>"</td> <td>V-675</td> <td>122</td> <td>1/2</td> <td>2900</td> <td>1\"/&gt;  <tr> <td>U-50</td> <td>"</td> <td>"</td> <td>V-675</td> <td>122</td> <td>1/2</td> <td>2900</td> <td>1\"/&gt;  </td></tr></td></tr> | U-49 | " | " | V-675 | 122 | 1/2 | 2900 | 1\"/> <tr> <td>U-50</td> <td>"</td> <td>"</td> <td>V-675</td> <td>122</td> <td>1/2</td> <td>2900</td> <td>1\"/&gt;  </td></tr> | U-50 | " | " | V-675 | 122 | 1/2 | 2900 | 1\"/> |
| R-2  | "             | "                       | "        | "    | "             | 5 L.F.  | "   |      |   |   |        |      |     |        | | | | | | | | | | | | | | | | | | | | | | | | | | | | | | | | | | | | | | | | | | | | | | | | | |
  |      |   |   |        |     |     |        |  |      |   |   |       |     |     |         |   
   |      |   |   |       |     |     |        |  |      |   |   |       |     |     |         |   
   |      |             |        |        |      |     |      |  
  |      |   |   |        |      |     |      |  |      |   |   |        |     |     |      |  
   |      |   |   |       |     |     |      |   |      |   |   |       |     |     |      |   
  |      |   |   |       |     |     |      |   |      |   |   |       |     |     |      |  
   |      |   |   |       |     |     |      |   |      |   |   |       |     |     |      |   
  |      |   |   |       |     |     |      |  |      |   |   |       |     |     |      |   
  |      |   |   |       |     |     |      |  |      |   |   |       |     |     |      |   
  |      |   |   |       |     |     |      |  |      |   |   |       |     |     |      |   
  |      |   |   |       |     |     |      |  |      |   |   |       |     |     |      |  |      |   |   |       |     |     |      |  
   |      |   |   |       |     |     |      |  |      |   |   |       |     |     |      |  
   |      |   |   |       |     |     |      |  |      |   |   |       |     |     |      |  |      |   |   |       |     |     |      |   
  |      |   |   |       |     |     |      |  |      |   |   |       |     |     |      |  |      |   |   |       |     |     |      |  |      |   |   |       |     |     |      |   
  |      |   |   |       |     |     |      |  |      |   |   |       |     |     |      |  |      |   |   |       |     |     |      |  
   |      |   |   |       |     |     |      |  |      |   |   |       |     |     |      |  |      |   |   |       |     |     |      |  |      |   |   |       |     |     |      |  |      |   |   |       |     |     |      |   
  |      |   |   |       |     |     |      |  |      |   |   |       |     |     |      |  |      |   |   |       |     |     |      |  |      |   |   |       |     |     |      |  |      |   |   |       |     |     |      |  |      |   |   |       |     |     |      |  |      |   |   |       |     |     |      |  
   |      |   |   |       |     |     |      |  |      |   |   |       |     |     |      |  |      |   |   |       |     |     |      |  |      |   |   |       |     |     |      |  |      |   |   |       |     |     |      |  |      |   |   |       |     |     |      |  |      |   |   |       |     |     |      |  |      |   |   |       |     |     |      |       |
| R-3  | "             | "                       | "        | "    | "             | 9 L.F.  | "   |      |   |   |        |      |     |        |   
  |      |   |   |        |     |     |        |  |      |   |   |       |     |     |         |   
   |      |   |   |       |     |     |        |  |      |   |   |       |     |     |         |   
   |      |             |        |        |      |     |      |  
  |      |   |   |        |      |     |      |  |      |   |   |        |     |     |      |  
   |      |   |   |       |     |     |      |   |      |   |   |       |     |     |      |   
  |      |   |   |       |     |     |      |   |      |   |   |       |     |     |      |  
   |      |   |   |       |     |     |      |   |      |   |   |       |     |     |      |   
  |      |   |   |       |     |     |      |  |      |   |   |       |     |     |      |   
  |      |   |   |       |     |     |      |  |      |   |   |       |     |     |      |   
  |      |   |   |       |     |     |      |  |      |   |   |       |     |     |      |   
  |      |   |   |       |     |     |      |  |      |   |   |       |     |     |      |  |      |   |   |       |     |     |      |  
   |      |   |   |       |     |     |      |  |      |   |   |       |     |     |      |  
   |      |   |   |       |     |     |      |  |      |   |   |       |     |     |      |  |      |   |   |       |     |     |      |   
  |      |   |   |       |     |     |      |  |      |   |   |       |     |     |      |  |      |   |   |       |     |     |      |  |      |   |   |       |     |     |      |   
  |      |   |   |       |     |     |      |  |      |   |   |       |     |     |      |  |      |   |   |       |     |     |      |  
   |      |   |   |       |     |     |      |  |      |   |   |       |     |     |      |  |      |   |   |       |     |     |      |  |      |   |   |       |     |     |      |  |      |   |   |       |     |     |      |   
  |      |   |   |       |     |     |      |  |      |   |   |       |     |     |      |  |      |   |   |       |     |     |      |  |      |   |   |       |     |     |      |  |      |   |   |       |     |     |      |  |      |   |   |       |     |     |      |  |      |   |   |       |     |     |      |  
   |      |   |   |       |     |     |      |  |      |   |   |       |     |     |      |  |      |   |   |       |     |     |      |  |      |   |   |       |     |     |      |  |      |   |   |       |     |     |      |  |      |   |   |       |     |     |      |  |      |   |   |       |     |     |      |  |      |   |   |       |     |     |      |       |
| R-4  | "             | "                       | "        | "    | "             | 14 L.F. | "   |      |   |   |        |      |     |        |   
  |      |   |   |        |     |     |        |  |      |   |   |       |     |     |         |   
   |      |   |   |       |     |     |        |  |      |   |   |       |     |     |         |   
   |      |             |        |        |      |     |      |  
  |      |   |   |        |      |     |      |  |      |   |   |        |     |     |      |  
   |      |   |   |       |     |     |      |   |      |   |   |       |     |     |      |   
  |      |   |   |       |     |     |      |   |      |   |   |       |     |     |      |  
   |      |   |   |       |     |     |      |   |      |   |   |       |     |     |      |   
  |      |   |   |       |     |     |      |  |      |   |   |       |     |     |      |   
  |      |   |   |       |     |     |      |  |      |   |   |       |     |     |      |   
  |      |   |   |       |     |     |      |  |      |   |   |       |     |     |      |   
  |      |   |   |       |     |     |      |  |      |   |   |       |     |     |      |  |      |   |   |       |     |     |      |  
   |      |   |   |       |     |     |      |  |      |   |   |       |     |     |      |  
   |      |   |   |       |     |     |      |  |      |   |   |       |     |     |      |  |      |   |   |       |     |     |      |   
  |      |   |   |       |     |     |      |  |      |   |   |       |     |     |      |  |      |   |   |       |     |     |      |  |      |   |   |       |     |     |      |   
  |      |   |   |       |     |     |      |  |      |   |   |       |     |     |      |  |      |   |   |       |     |     |      |  
   |      |   |   |       |     |     |      |  |      |   |   |       |     |     |      |  |      |   |   |       |     |     |      |  |      |   |   |       |     |     |      |  |      |   |   |       |     |     |      |   
  |      |   |   |       |     |     |      |  |      |   |   |       |     |     |      |  |      |   |   |       |     |     |      |  |      |   |   |       |     |     |      |  |      |   |   |       |     |     |      |  |      |   |   |       |     |     |      |  |      |   |   |       |     |     |      |  
   |      |   |   |       |     |     |      |  |      |   |   |       |     |     |      |  |      |   |   |       |     |     |      |  |      |   |   |       |     |     |      |  |      |   |   |       |     |     |      |  |      |   |   |       |     |     |      |  |      |   |   |       |     |     |      |  |      |   |   |       |     |     |      |       |
| R-5  | "             | "                       | "        | "    | "             | 8 L.F.  | "   |      |   |   |        |      |     |        |   
  |      |   |   |        |     |     |        |  |      |   |   |       |     |     |         |   
   |      |   |   |       |     |     |        |  |      |   |   |       |     |     |         |   
   |      |             |        |        |      |     |      |  
  |      |   |   |        |      |     |      |  |      |   |   |        |     |     |      |  
   |      |   |   |       |     |     |      |   |      |   |   |       |     |     |      |   
  |      |   |   |       |     |     |      |   |      |   |   |       |     |     |      |  
   |      |   |   |       |     |     |      |   |      |   |   |       |     |     |      |   
  |      |   |   |       |     |     |      |  |      |   |   |       |     |     |      |   
  |      |   |   |       |     |     |      |  |      |   |   |       |     |     |      |   
  |      |   |   |       |     |     |      |  |      |   |   |       |     |     |      |   
  |      |   |   |       |     |     |      |  |      |   |   |       |     |     |      |  |      |   |   |       |     |     |      |  
   |      |   |   |       |     |     |      |  |      |   |   |       |     |     |      |  
   |      |   |   |       |     |     |      |  |      |   |   |       |     |     |      |  |      |   |   |       |     |     |      |   
  |      |   |   |       |     |     |      |  |      |   |   |       |     |     |      |  |      |   |   |       |     |     |      |  |      |   |   |       |     |     |      |   
  |      |   |   |       |     |     |      |  |      |   |   |       |     |     |      |  |      |   |   |       |     |     |      |  
   |      |   |   |       |     |     |      |  |      |   |   |       |     |     |      |  |      |   |   |       |     |     |      |  |      |   |   |       |     |     |      |  |      |   |   |       |     |     |      |   
  |      |   |   |       |     |     |      |  |      |   |   |       |     |     |      |  |      |   |   |       |     |     |      |  |      |   |   |       |     |     |      |  |      |   |   |       |     |     |      |  |      |   |   |       |     |     |      |  |      |   |   |       |     |     |      |  
   |      |   |   |       |     |     |      |  |      |   |   |       |     |     |      |  |      |   |   |       |     |     |      |  |      |   |   |       |     |     |      |  |      |   |   |       |     |     |      |  |      |   |   |       |     |     |      |  |      |   |   |       |     |     |      |  |      |   |   |       |     |     |      |       |
| R-6  | "             | "                       | "        | "    | "             | 14 L.F. | "   |      |   |   |        |      |     |        |   
  |      |   |   |        |     |     |        |  |      |   |   |       |     |     |         |   
   |      |   |   |       |     |     |        |  |      |   |   |       |     |     |         |   
   |      |             |        |        |      |     |      |  
  |      |   |   |        |      |     |      |  |      |   |   |        |     |     |      |  
   |      |   |   |       |     |     |      |   |      |   |   |       |     |     |      |   
  |      |   |   |       |     |     |      |   |      |   |   |       |     |     |      |  
   |      |   |   |       |     |     |      |   |      |   |   |       |     |     |      |   
  |      |   |   |       |     |     |      |  |      |   |   |       |     |     |      |   
  |      |   |   |       |     |     |      |  |      |   |   |       |     |     |      |   
  |      |   |   |       |     |     |      |  |      |   |   |       |     |     |      |   
  |      |   |   |       |     |     |      |  |      |   |   |       |     |     |      |  |      |   |   |       |     |     |      |  
   |      |   |   |       |     |     |      |  |      |   |   |       |     |     |      |  
   |      |   |   |       |     |     |      |  |      |   |   |       |     |     |      |  |      |   |   |       |     |     |      |   
  |      |   |   |       |     |     |      |  |      |   |   |       |     |     |      |  |      |   |   |       |     |     |      |  |      |   |   |       |     |     |      |   
  |      |   |   |       |     |     |      |  |      |   |   |       |     |     |      |  |      |   |   |       |     |     |      |  
   |      |   |   |       |     |     |      |  |      |   |   |       |     |     |      |  |      |   |   |       |     |     |      |  |      |   |   |       |     |     |      |  |      |   |   |       |     |     |      |   
  |      |   |   |       |     |     |      |  |      |   |   |       |     |     |      |  |      |   |   |       |     |     |      |  |      |   |   |       |     |     |      |  |      |   |   |       |     |     |      |  |      |   |   |       |     |     |      |  |      |   |   |       |     |     |      |  
   |      |   |   |       |     |     |      |  |      |   |   |       |     |     |      |  |      |   |   |       |     |     |      |  |      |   |   |       |     |     |      |  |      |   |   |       |     |     |      |  |      |   |   |       |     |     |      |  |      |   |   |       |     |     |      |  |      |   |   |       |     |     |      |       |
| U-1  | UNIT HEATER   | MODINE                  | H3-465   | 24.5 | 1/2           | 1550    | 1\"/> <tr> <td>U-2</td> <td>"</td> <td>"</td> <td>H3-540</td> <td>34.6</td> <td>1/2</td> <td>2360</td> <td>1\"/&gt;  <tr> <td>U-3</td> <td>"</td> <td>"</td> <td>H3-720</td> <td>141</td> <td>1/2</td> <td>4770</td> <td>1\"/&gt;  <tr> <td>U-4</td> <td>"</td> <td>"</td> <td>V-675</td> <td>122</td> <td>1/2</td> <td>2900</td> <td>1\"/&gt;  <tr> <td>U-5</td> <td>"</td> <td>"</td> <td>V-675</td> <td>122</td> <td>1/2</td> <td>2900</td> <td>1\"/&gt;  <tr> <td>U-6</td> <td>"</td> <td>"</td> <td>V-675</td> <td>122</td> <td>1/2</td> <td>2900</td> <td>1\"/&gt;  <tr> <td>U-7</td> <td>"</td> <td>"</td> <td>V-675</td> <td>122</td> <td>1/2</td> <td>2900</td> <td>1\"/&gt;  <tr> <td>U-8</td> <td>"</td> <td>"</td> <td>V-675</td> <td>122</td> <td>1/2</td> <td>2900</td> <td>1\"/&gt;  <tr> <td>U-9</td> <td>"</td> <td>"</td> <td>V-675</td> <td>122</td> <td>1/2</td> <td>2900</td> <td>1\"/&gt;  <tr> <td>U-10</td> <td>"</td> <td>"</td> <td>V-675</td> <td>122</td> <td>1/2</td> <td>2900</td> <td>1\"/&gt;  <tr> <td>U-11</td> <td>"</td> <td>"</td> <td>V-675</td> <td>122</td> <td>1/2</td> <td>2900</td> <td>1\"/&gt;  <tr> <td>U-12</td> <td>"</td> <td>"</td> <td>V-675</td> <td>122</td> <td>1/2</td> <td>2900</td> <td>1\"/&gt;  <tr> <td>U-13</td> <td>"</td> <td>"</td> <td>V-675</td> <td>122</td> <td>1/2</td> <td>2900</td> <td>1\"/&gt;  <tr> <td>U-14</td> <td>"</td> <td>"</td> <td>V-675</td> <td>122</td> <td>1/2</td> <td>2900</td> <td>1\"/&gt;  <tr> <td>U-15</td> <td>"</td> <td>"</td> <td>V-675</td> <td>122</td> <td>1/2</td> <td>2900</td> <td>1\"/&gt;  <tr> <td>U-16</td> <td>"</td> <td>"</td> <td>V-675</td> <td>122</td> <td>1/2</td> <td>2900</td> <td>1\"/&gt;  <tr> <td>U-17</td> <td>"</td> <td>"</td> <td>V-675</td> <td>122</td> <td>1/2</td> <td>2900</td> <td>1\"/&gt;  <tr> <td>U-18</td> <td>"</td> <td>"</td> <td>V-675</td> <td>122</td> <td>1/2</td> <td>2900</td> <td>1\"/&gt;  <tr> <td>U-19</td> <td>"</td> <td>"</td> <td>V-675</td> <td>122</td> <td>1/2</td> <td>2900</td> <td>1\"/&gt;  <tr> <td>U-20</td> <td>"</td> <td>"</td> <td>V-675</td> <td>122</td> <td>1/2</td> <td>2900</td> <td>1\"/&gt;  <tr> <td>U-21</td> <td>"</td> <td>"</td> <td>V-675</td> <td>122</td> <td>1/2</td> <td>2900</td> <td>1\"/&gt;  <tr> <td>U-22</td> <td>"</td> <td>"</td> <td>V-675</td> <td>122</td> <td>1/2</td> <td>2900</td> <td>1\"/&gt;  <tr> <td>U-23</td> <td>"</td> <td>"</td> <td>V-675</td> <td>122</td> <td>1/2</td> <td>2900</td> <td>1\"/&gt;  <tr> <td>U-24</td> <td>"</td> <td>"</td> <td>V-675</td> <td>122</td> <td>1/2</td> <td>2900</td> <td>1\"/&gt;  <tr> <td>U-25</td> <td>"</td> <td>"</td> <td>V-675</td> <td>122</td> <td>1/2</td> <td>2900</td> <td>1\"/&gt;  <tr> <td>U-26</td> <td>"</td> <td>"</td> <td>V-675</td> <td>122</td> <td>1/2</td> <td>2900</td> <td>1\"/&gt;  <tr> <td>U-27</td> <td>"</td> <td>"</td> <td>V-675</td> <td>122</td> <td>1/2</td> <td>2900</td> <td>1\"/&gt;  <tr> <td>U-28</td> <td>"</td> <td>"</td> <td>V-675</td> <td>122</td> <td>1/2</td> <td>2900</td> <td>1\"/&gt;  <tr> <td>U-29</td> <td>"</td> <td>"</td> <td>V-675</td> <td>122</td> <td>1/2</td> <td>2900</td> <td>1\"/&gt;  <tr> <td>U-30</td> <td>"</td> <td>"</td> <td>V-675</td> <td>122</td> <td>1/2</td> <td>2900</td> <td>1\"/&gt;  <tr> <td>U-31</td> <td>"</td> <td>"</td> <td>V-675</td> <td>122</td> <td>1/2</td> <td>2900</td> <td>1\"/&gt;  <tr> <td>U-32</td> <td>"</td> <td>"</td> <td>V-675</td> <td>122</td> <td>1/2</td> <td>2900</td> <td>1\"/&gt;  <tr> <td>U-33</td> <td>"</td> <td>"</td> <td>V-675</td> <td>122</td> <td>1/2</td> <td>2900</td> <td>1\"/&gt;  <tr> <td>U-34</td> <td>"</td> <td>"</td> <td>V-675</td> <td>122</td> <td>1/2</td> <td>2900</td> <td>1\"/&gt;  <tr> <td>U-35</td> <td>"</td> <td>"</td> <td>V-675</td> <td>122</td> <td>1/2</td> <td>2900</td> <td>1\"/&gt;  <tr> <td>U-36</td> <td>"</td> <td>"</td> <td>V-675</td> <td>122</td> <td>1/2</td> <td>2900</td> <td>1\"/&gt;  <tr> <td>U-37</td> <td>"</td> <td>"</td> <td>V-675</td> <td>122</td> <td>1/2</td> <td>2900</td> <td>1\"/&gt;  <tr> <td>U-38</td> <td>"</td> <td>"</td> <td>V-675</td> <td>122</td> <td>1/2</td> <td>2900</td> <td>1\"/&gt;  <tr> <td>U-39</td> <td>"</td> <td>"</td> <td>V-675</td> <td>122</td> <td>1/2</td> <td>2900</td> <td>1\"/&gt;  <tr> <td>U-40</td> <td>"</td> <td>"</td> <td>V-675</td> <td>122</td> <td>1/2</td> <td>2900</td> <td>1\"/&gt;  <tr> <td>U-41</td> <td>"</td> <td>"</td> <td>V-675</td> <td>122</td> <td>1/2</td> <td>2900</td> <td>1\"/&gt;  <tr> <td>U-42</td> <td>"</td> <td>"</td> <td>V-675</td> <td>122</td> <td>1/2</td> <td>2900</td> <td>1\"/&gt;  <tr> <td>U-43</td> <td>"</td> <td>"</td> <td>V-675</td> <td>122</td> <td>1/2</td> <td>2900</td> <td>1\"/&gt;  <tr> <td>U-44</td> <td>"</td> <td>"</td> <td>V-675</td> <td>122</td> <td>1/2</td> <td>2900</td> <td>1\"/&gt;  <tr> <td>U-45</td> <td>"</td> <td>"</td> <td>V-675</td> <td>122</td> <td>1/2</td> <td>2900</td> <td>1\"/&gt;  <tr> <td>U-46</td> <td>"</td> <td>"</td> <td>V-675</td> <td>122</td> <td>1/2</td> <td>2900</td> <td>1\"/&gt;  <tr> <td>U-47</td> <td>"</td> <td>"</td> <td>V-675</td> <td>122</td> <td>1/2</td> <td>2900</td> <td>1\"/&gt;  <tr> <td>U-48</td> <td>"</td> <td>"</td> <td>V-675</td> <td>122</td> <td>1/2</td> <td>2900</td> <td>1\"/&gt;  <tr> <td>U-49</td> <td>"</td> <td>"</td> <td>V-675</td> <td>122</td> <td>1/2</td> <td>2900</td> <td>1\"/&gt;  <tr> <td>U-50</td> <td>"</td> <td>"</td> <td>V-675</td> <td>122</td> <td>1/2</td> <td>2900</td> <td>1\"/&gt;  </td></tr></td></tr></td></tr></td></tr></td></tr></td></tr></td></tr></td></tr></td></tr></td></tr></td></tr></td></tr></td></tr></td></tr></td></tr></td></tr></td></tr></td></tr></td></tr></td></tr></td></tr></td></tr></td></tr></td></tr></td></tr></td></tr></td></tr></td></tr></td></tr></td></tr></td></tr></td></tr></td></tr></td></tr></td></tr></td></tr></td></tr></td></tr></td></tr></td></tr></td></tr></td></tr></td></tr></td></tr></td></tr></td></tr></td></tr></td></tr></td></tr>   | U-2  | " | " | H3-540 | 34.6 | 1/2 | 2360   | 1\"/> <tr> <td>U-3</td> <td>"</td> <td>"</td> <td>H3-720</td> <td>141</td> <td>1/2</td> <td>4770</td> <td>1\"/&gt;  <tr> <td>U-4</td> <td>"</td> <td>"</td> <td>V-675</td> <td>122</td> <td>1/2</td> <td>2900</td> <td>1\"/&gt;  <tr> <td>U-5</td> <td>"</td> <td>"</td> <td>V-675</td> <td>122</td> <td>1/2</td> <td>2900</td> <td>1\"/&gt;  <tr> <td>U-6</td> <td>"</td> <td>"</td> <td>V-675</td> <td>122</td> <td>1/2</td> <td>2900</td> <td>1\"/&gt;  <tr> <td>U-7</td> <td>"</td> <td>"</td> <td>V-675</td> <td>122</td> <td>1/2</td> <td>2900</td> <td>1\"/&gt;  <tr> <td>U-8</td> <td>"</td> <td>"</td> <td>V-675</td> <td>122</td> <td>1/2</td> <td>2900</td> <td>1\"/&gt;  <tr> <td>U-9</td> <td>"</td> <td>"</td> <td>V-675</td> <td>122</td> <td>1/2</td> <td>2900</td> <td>1\"/&gt;  <tr> <td>U-10</td> <td>"</td> <td>"</td> <td>V-675</td> <td>122</td> <td>1/2</td> <td>2900</td> <td>1\"/&gt;  <tr> <td>U-11</td> <td>"</td> <td>"</td> <td>V-675</td> <td>122</td> <td>1/2</td> <td>2900</td> <td>1\"/&gt;  <tr> <td>U-12</td> <td>"</td> <td>"</td> <td>V-675</td> <td>122</td> <td>1/2</td> <td>2900</td> <td>1\"/&gt;  <tr> <td>U-13</td> <td>"</td> <td>"</td> <td>V-675</td> <td>122</td> <td>1/2</td> <td>2900</td> <td>1\"/&gt;  <tr> <td>U-14</td> <td>"</td> <td>"</td> <td>V-675</td> <td>122</td> <td>1/2</td> <td>2900</td> <td>1\"/&gt;  <tr> <td>U-15</td> <td>"</td> <td>"</td> <td>V-675</td> <td>122</td> <td>1/2</td> <td>2900</td> <td>1\"/&gt;  <tr> <td>U-16</td> <td>"</td> <td>"</td> <td>V-675</td> <td>122</td> <td>1/2</td> <td>2900</td> <td>1\"/&gt;  <tr> <td>U-17</td> <td>"</td> <td>"</td> <td>V-675</td> <td>122</td> <td>1/2</td> <td>2900</td> <td>1\"/&gt;  <tr> <td>U-18</td> <td>"</td> <td>"</td> <td>V-675</td> <td>122</td> <td>1/2</td> <td>2900</td> <td>1\"/&gt;  <tr> <td>U-19</td> <td>"</td> <td>"</td> <td>V-675</td> <td>122</td> <td>1/2</td> <td>2900</td> <td>1\"/&gt;  <tr> <td>U-20</td> <td>"</td> <td>"</td> <td>V-675</td> <td>122</td> <td>1/2</td> <td>2900</td> <td>1\"/&gt;  <tr> <td>U-21</td> <td>"</td> <td>"</td> <td>V-675</td> <td>122</td> <td>1/2</td> <td>2900</td> <td>1\"/&gt;  <tr> <td>U-22</td> <td>"</td> <td>"</td> <td>V-675</td> <td>122</td> <td>1/2</td> <td>2900</td> <td>1\"/&gt;  <tr> <td>U-23</td> <td>"</td> <td>"</td> <td>V-675</td> <td>122</td> <td>1/2</td> <td>2900</td> <td>1\"/&gt;  <tr> <td>U-24</td> <td>"</td> <td>"</td> <td>V-675</td> <td>122</td> <td>1/2</td> <td>2900</td> <td>1\"/&gt;  <tr> <td>U-25</td> <td>"</td> <td>"</td> <td>V-675</td> <td>122</td> <td>1/2</td> <td>2900</td> <td>1\"/&gt;  <tr> <td>U-26</td> <td>"</td> <td>"</td> <td>V-675</td> <td>122</td> <td>1/2</td> <td>2900</td> <td>1\"/&gt;  <tr> <td>U-27</td> <td>"</td> <td>"</td> <td>V-675</td> <td>122</td> <td>1/2</td> <td>2900</td> <td>1\"/&gt;  <tr> <td>U-28</td> <td>"</td> <td>"</td> <td>V-675</td> <td>122</td> <td>1/2</td> <td>2900</td> <td>1\"/&gt;  <tr> <td>U-29</td> <td>"</td> <td>"</td> <td>V-675</td> <td>122</td> <td>1/2</td> <td>2900</td> <td>1\"/&gt;  <tr> <td>U-30</td> <td>"</td> <td>"</td> <td>V-675</td> <td>122</td> <td>1/2</td> <td>2900</td> <td>1\"/&gt;  <tr> <td>U-31</td> <td>"</td> <td>"</td> <td>V-675</td> <td>122</td> <td>1/2</td> <td>2900</td> <td>1\"/&gt;  <tr> <td>U-32</td> <td>"</td> <td>"</td> <td>V-675</td> <td>122</td> <td>1/2</td> <td>2900</td> <td>1\"/&gt;  <tr>
<td>U-33</td> <td>"</td> <td>"</td> <td>V-675</td> <td>122</td> <td>1/2</td> <td>2900</td> <td>1\"/&gt;  <tr> <td>U-34</td> <td>"</td> <td>"</td> <td>V-675</td> <td>122</td> <td>1/2</td> <td>2900</td> <td>1\"/&gt;  <tr> <td>U-35</td> <td>"</td> <td>"</td> <td>V-675</td> <td>122</td> <td>1/2</td> <td>2900</td> <td>1\"/&gt;  <tr> <td>U-36</td> <td>"</td> <td>"</td> <td>V-675</td> <td>122</td> <td>1/2</td> <td>2900</td> <td>1\"/&gt;  <tr> <td>U-37</td> <td>"</td> <td>"</td> <td>V-675</td> <td>122</td> <td>1/2</td> <td>2900</td> <td>1\"/&gt;  <tr> <td>U-38</td> <td>"</td> <td>"</td> <td>V-675</td> <td>122</td> <td>1/2</td> <td>2900</td> <td>1\"/&gt;  <tr> <td>U-39</td> <td>"</td> <td>"</td> <td>V-675</td> <td>122</td> <td>1/2</td> <td>2900</td> <td>1\"/&gt;  <tr> <td>U-40</td> <td>"</td> <td>"</td> <td>V-675</td> <td>122</td> <td>1/2</td> <td>2900</td> <td>1\"/&gt;  <tr> <td>U-41</td> <td>"</td> <td>"</td> <td>V-675</td> <td>122</td> <td>1/2</td> <td>2900</td> <td>1\"/&gt;  <tr> <td>U-42</td> <td>"</td> <td>"</td> <td>V-675</td> <td>122</td> <td>1/2</td> <td>2900</td> <td>1\"/&gt;  <tr> <td>U-43</td> <td>"</td> <td>"</td> <td>V-675</td> <td>122</td> <td>1/2</td> <td>2900</td> <td>1\"/&gt;  <tr> <td>U-44</td> <td>"</td> <td>"</td> <td>V-675</td> <td>122</td> <td>1/2</td> <td>2900</td> <td>1\"/&gt;  <tr> <td>U-45</td> <td>"</td> <td>"</td> <td>V-675</td> <td>122</td> <td>1/2</td> <td>2900</td> <td>1\"/&gt;  <tr> <td>U-46</td> <td>"</td> <td>"</td> <td>V-675</td> <td>122</td> <td>1/2</td> <td>2900</td> <td>1\"/&gt;  <tr> <td>U-47</td> <td>"</td> <td>"</td> <td>V-675</td> <td>122</td> <td>1/2</td> <td>2900</td> <td>1\"/&gt;  <tr> <td>U-48</td> <td>"</td> <td>"</td> <td>V-675</td> <td>122</td> <td>1/2</td> <td>2900</td> <td>1\"/&gt;  <tr> <td>U-49</td> <td>"</td> <td>"</td> <td>V-675</td> <td>122</td> <td>1/2</td> <td>2900</td> <td>1\"/&gt;  <tr> <td>U-50</td> <td>"</td> <td>"</td> <td>V-675</td> <td>122</td> <td>1/2</td> <td>2900</td> <td>1\"/&gt;  </td></tr></td></tr></td></tr></td></tr></td></tr></td></tr></td></tr></td></tr></td></tr></td></tr></td></tr></td></tr></td></tr></td></tr></td></tr></td></tr></td></tr></td></tr></td></tr></td></tr></td></tr></td></tr></td></tr></td></tr></td></tr></td></tr></td></tr></td></tr></td></tr></td></tr></td></tr></td></tr></td></tr></td></tr></td></tr></td></tr></td></tr></td></tr></td></tr></td></tr></td></tr></td></tr></td></tr></td></tr></td></tr></td></tr></td></tr></td></tr> | U-3  | " | " | H3-720 | 141 | 1/2 | 4770   | 1\"/> <tr> <td>U-4</td> <td>"</td> <td>"</td> <td>V-675</td> <td>122</td> <td>1/2</td> <td>2900</td> <td>1\"/&gt;  <tr> <td>U-5</td> <td>"</td> <td>"</td> <td>V-675</td> <td>122</td> <td>1/2</td> <td>2900</td> <td>1\"/&gt;  <tr> <td>U-6</td> <td>"</td> <td>"</td> <td>V-675</td> <td>122</td> <td>1/2</td> <td>2900</td> <td>1\"/&gt;  <tr> <td>U-7</td> <td>"</td> <td>"</td> <td>V-675</td> <td>122</td> <td>1/2</td> <td>2900</td> <td>1\"/&gt;  <tr> <td>U-8</td> <td>"</td> <td>"</td> <td>V-675</td> <td>122</td> <td>1/2</td> <td>2900</td> <td>1\"/&gt;  <tr> <td>U-9</td> <td>"</td> <td>"</td> <td>V-675</td> <td>122</td> <td>1/2</td> <td>2900</td> <td>1\"/&gt;  <tr> <td>U-10</td> <td>"</td> <td>"</td> <td>V-675</td> <td>122</td> <td>1/2</td> <td>2900</td> <td>1\"/&gt;  <tr> <td>U-11</td> <td>"</td> <td>"</td> <td>V-675</td> <td>122</td> <td>1/2</td> <td>2900</td> <td>1\"/&gt;  <tr> <td>U-12</td> <td>"</td> <td>"</td> <td>V-675</td> <td>122</td> <td>1/2</td> <td>2900</td> <td>1\"/&gt;  <tr> <td>U-13</td> <td>"</td> <td>"</td> <td>V-675</td> <td>122</td> <td>1/2</td> <td>2900</td> <td>1\"/&gt;  <tr> <td>U-14</td> <td>"</td> <td>"</td> <td>V-675</td> <td>122</td> <td>1/2</td> <td>2900</td> <td>1\"/&gt;  <tr> <td>U-15</td> <td>"</td> <td>"</td> <td>V-675</td> <td>122</td> <td>1/2</td> <td>2900</td> <td>1\"/&gt;  <tr> <td>U-16</td> <td>"</td> <td>"</td> <td>V-675</td> <td>122</td> <td>1/2</td> <td>2900</td> <td>1\"/&gt;  <tr> <td>U-17</td> <td>"</td> <td>"</td> <td>V-675</td> <td>122</td> <td>1/2</td> <td>2900</td> <td>1\"/&gt;  <tr> <td>U-18</td> <td>"</td> <td>"</td> <td>V-675</td> <td>122</td> <td>1/2</td> <td>2900</td> <td>1\"/&gt;  <tr> <td>U-19</td> <td>"</td> <td>"</td> <td>V-675</td> <td>122</td> <td>1/2</td> <td>2900</td> <td>1\"/&gt;  <tr> <td>U-20</td> <td>"</td> <td>"</td> <td>V-675</td> <td>122</td> <td>1/2</td> <td>2900</td> <td>1\"/&gt;  <tr> <td>U-21</td> <td>"</td> <td>"</td> <td>V-675</td> <td>122</td> <td>1/2</td> <td>2900</td> <td>1\"/&gt;  <tr> <td>U-22</td> <td>"</td> <td>"</td> <td>V-675</td> <td>122</td> <td>1/2</td> <td>2900</td> <td>1\"/&gt;  <tr> <td>U-23</td> <td>"</td> <td>"</td> <td>V-675</td> <td>122</td> <td>1/2</td> <td>2900</td> <td>1\"/&gt;  <tr> <td>U-24</td> <td>"</td> <td>"</td> <td>V-675</td> <td>122</td> <td>1/2</td> <td>2900</td> <td>1\"/&gt;  <tr> <td>U-25</td> <td>"</td> <td>"</td> <td>V-675</td> <td>122</td> <td>1/2</td> <td>2900</td> <td>1\"/&gt;  <tr> <td>U-26</td> <td>"</td> <td>"</td> <td>V-675</td> <td>122</td> <td>1/2</td> <td>2900</td> <td>1\"/&gt;  <tr> <td>U-27</td> <td>"</td> <td>"</td> <td>V-675</td> <td>122</td> <td>1/2</td> <td>2900</td> <td>1\"/&gt;  <tr> <td>U-28</td> <td>"</td> <td>"</td> <td>V-675</td> <td>122</td> <td>1/2</td> <td>2900</td> <td>1\"/&gt;  <tr> <td>U-29</td> <td>"</td> <td>"</td> <td>V-675</td> <td>122</td> <td>1/2</td> <td>2900</td> <td>1\"/&gt;  <tr> <td>U-30</td> <td>"</td> <td>"</td> <td>V-675</td> <td>122</td> <td>1/2</td> <td>2900</td> <td>1\"/&gt;  <tr> <td>U-31</td> <td>"</td> <td>"</td> <td>V-675</td> <td>122</td> <td>1/2</td> <td>2900</td> <td>1\"/&gt;  <tr> <td>U-32</td> <td>"</td> <td>"</td> <td>V-675</td> <td>122</td> <td>1/2</td> <td>2900</td> <td>1\"/&gt;  <tr> <td>U-33</td> <td>"</td> <td>"</td> <td>V-675</td> <td>122</td> <td>1/2</td> <td>2900</td> <td>1\"/&gt;  <tr> <td>U-34</td> <td>"</td> <td>"</td> <td>V-675</td> <td>122</td> <td>1/2</td> <td>2900</td> <td>1\"/&gt;  <tr> <td>U-35</td> <td>"</td> <td>"</td> <td>V-675</td> <td>122</td> <td>1/2</td> <td>2900</td> <td>1\"/&gt;  <tr> <td>U-36</td> <td>"</td> <td>"</td> <td>V-675</td> <td>122</td> <td>1/2</td> <td>2900</td> <td>1\"/&gt;  <tr> <td>U-37</td> <td>"</td> <td>"</td> <td>V-675</td> <td>122</td> <td>1/2</td> <td>2900</td> <td>1\"/&gt;  <tr> <td>U-38</td> <td>"</td> <td>"</td> <td>V-675</td> <td>122</td> <td>1/2</td> <td>2900</td> <td>1\"/&gt;  <tr> <td>U-39</td> <td>"</td> <td>"</td> <td>V-675</td> <td>122</td> <td>1/2</td> <td>2900</td> <td>1\"/&gt;  <tr> <td>U-40</td> <td>"</td> <td>"</td> <td>V-675</td> <td>122</td> <td>1/2</td> <td>2900</td> <td>1\"/&gt;  <tr> <td>U-41</td> <td>"</td> <td>"</td> <td>V-675</td> <td>122</td> <td>1/2</td> <td>2900</td> <td>1\"/&gt;  <tr> <td>U-42</td> <td>"</td> <td>"</td> <td>V-675</td> <td>122</td> <td>1/2</td> <td>2900</td> <td>1\"/&gt;  <tr> <td>U-43</td> <td>"</td> <td>"</td> <td>V-675</td> <td>122</td> <td>1/2</td> <td>2900</td> <td>1\"/&gt;  <tr> <td>U-44</td> <td>"</td> <td>"</td> <td>V-675</td> <td>122</td> <td>1/2</td> <td>2900</td> <td>1\"/&gt;  <tr> <td>U-45</td> <td>"</td> <td>"</td> <td>V-675</td> <td>122</td> <td>1/2</td> <td>2900</td> <td>1\"/&gt;  <tr> <td>U-46</td> <td>"</td> <td>"</td> <td>V-675</td> <td>122</td> <td>1/2</td> <td>2900</td> <td>1\"/&gt;  <tr> <td>U-47</td> <td>"</td> <td>"</td> <td>V-675</td> <td>122</td> <td>1/2</td> <td>2900</td> <td>1\"/&gt;  <tr> <td>U-48</td> <td>"</td> <td>"</td> <td>V-675</td> <td>122</td> <td>1/2</td> <td>2900</td> <td>1\"/&gt;  <tr> <td>U-49</td> <td>"</td> <td>"</td> <td>V-675</td> <td>122</td> <td>1/2</td> <td>2900</td> <td>1\"/&gt;  <tr> <td>U-50</td> <td>"</td> <td>"</td> <td>V-675</td> <td>122</td> <td>1/2</td> <td>2900</td> <td>1\"/&gt;  </td></tr></td></tr></td></tr></td></tr></td></tr></td></tr></td></tr></td></tr></td></tr></td></tr></td></tr></td></tr></td></tr></td></tr></td></tr></td></tr></td></tr></td></tr></td></tr></td></tr></td></tr></td></tr></td></tr></td></tr></td></tr></td></tr></td></tr></td></tr></td></tr></td></tr></td></tr></td></tr></td></tr></td></tr></td></tr></td></tr></td></tr></td></tr></td></tr></td></tr></td></tr></td></tr></td></tr></td></tr></td></tr></td></tr></td></tr> | U-4  | " | " | V-675 | 122 | 1/2 | 2900    | 1\"/> <tr> <td>U-5</td> <td>"</td> <td>"</td> <td>V-675</td> <td>122</td> <td>1/2</td> <td>2900</td> <td>1\"/&gt;  <tr> <td>U-6</td> <td>"</td> <td>"</td> <td>V-675</td> <td>122</td> <td>1/2</td> <td>2900</td> <td>1\"/&gt;  <tr> <td>U-7</td> <td>"</td> <td>"</td> <td>V-675</td> <td>122</td> <td>1/2</td> <td>2900</td> <td>1\"/&gt;  <tr> <td>U-8</td> <td>"</td> <td>"</td> <td>V-675</td> <td>122</td> <td>1/2</td> <td>2900</td> <td>1\"/&gt;  <tr> <td>U-9</td> <td>"</td> <td>"</td> <td>V-675</td> <td>122</td> <td>1/2</td> <td>2900</td> <td>1\"/&gt;  <tr> <td>U-10</td> <td>"</td> <td>"</td> <td>V-675</td> <td>122</td> <td>1/2</td> <td>2900</td> <td>1\"/&gt;  <tr> <td>U-11</td> <td>"</td> <td>"</td> <td>V-675</td> <td>122</td> <td>1/2</td> <td>2900</td> <td>1\"/&gt;  <tr> <td>U-12</td> <td>"</td> <td>"</td> <td>V-675</td> <td>122</td> <td>1/2</td> <td>2900</td> <td>1\"/&gt;  <tr> <td>U-13</td> <td>"</td> <td>"</td> <td>V-675</td> <td>122</td> <td>1/2</td> <td>2900</td> <td>1\"/&gt;  <tr> <td>U-14</td> <td>"</td> <td>"</td> <td>V-675</td> <td>122</td> <td>1/2</td> <td>2900</td> <td>1\"/&gt;  <tr> <td>U-15</td> <td>"</td> <td>"</td> <td>V-675</td> <td>122</td> <td>1/2</td> <td>2900</td> <td>1\"/&gt;  <tr> <td>U-16</td> <td>"</td> <td>"</td> <td>V-675</td> <td>122</td> <td>1/2</td> <td>2900</td> <td>1\"/&gt;  <tr> <td>U-17</td> <td>"</td> <td>"</td> <td>V-675</td> <td>122</td> <td>1/2</td> <td>2900</td> <td>1\"/&gt;  <tr> <td>U-18</td> <td>"</td> <td>"</td> <td>V-675</td> <td>122</td> <td>1/2</td> <td>2900</td> <td>1\"/&gt;  <tr> <td>U-19</td> <td>"</td> <td>"</td> <td>V-675</td> <td>122</td> <td>1/2</td> <td>2900</td> <td>1\"/&gt;  <tr> <td>U-20</td> <td>"</td> <td>"</td> <td>V-675</td> <td>122</td> <td>1/2</td> <td>2900</td> <td>1\"/&gt;  <tr> <td>U-21</td> <td>"</td> <td>"</td>
<td>V-675</td> <td>122</td> <td>1/2</td> <td>2900</td> <td>1\"/&gt;  <tr> <td>U-22</td> <td>"</td> <td>"</td> <td>V-675</td> <td>122</td> <td>1/2</td> <td>2900</td> <td>1\"/&gt;  <tr> <td>U-23</td> <td>"</td> <td>"</td> <td>V-675</td> <td>122</td> <td>1/2</td> <td>2900</td> <td>1\"/&gt;  <tr> <td>U-24</td> <td>"</td> <td>"</td> <td>V-675</td> <td>122</td> <td>1/2</td> <td>2900</td> <td>1\"/&gt;  <tr> <td>U-25</td> <td>"</td> <td>"</td> <td>V-675</td> <td>122</td> <td>1/2</td> <td>2900</td> <td>1\"/&gt;  <tr> <td>U-26</td> <td>"</td> <td>"</td> <td>V-675</td> <td>122</td> <td>1/2</td> <td>2900</td> <td>1\"/&gt;  <tr> <td>U-27</td> <td>"</td> <td>"</td> <td>V-675</td> <td>122</td> <td>1/2</td> <td>2900</td> <td>1\"/&gt;  <tr> <td>U-28</td> <td>"</td> <td>"</td> <td>V-675</td> <td>122</td> <td>1/2</td> <td>2900</td> <td>1\"/&gt;  <tr> <td>U-29</td> <td>"</td> <td>"</td> <td>V-675</td> <td>122</td> <td>1/2</td> <td>2900</td> <td>1\"/&gt;  <tr> <td>U-30</td> <td>"</td> <td>"</td> <td>V-675</td> <td>122</td> <td>1/2</td> <td>2900</td> <td>1\"/&gt;  <tr> <td>U-31</td> <td>"</td> <td>"</td> <td>V-675</td> <td>122</td> <td>1/2</td> <td>2900</td> <td>1\"/&gt;  <tr> <td>U-32</td> <td>"</td> <td>"</td> <td>V-675</td> <td>122</td> <td>1/2</td> <td>2900</td> <td>1\"/&gt;  <tr> <td>U-33</td> <td>"</td> <td>"</td> <td>V-675</td> <td>122</td> <td>1/2</td> <td>2900</td> <td>1\"/&gt;  <tr> <td>U-34</td> <td>"</td> <td>"</td> <td>V-675</td> <td>122</td> <td>1/2</td> <td>2900</td> <td>1\"/&gt;  <tr> <td>U-35</td> <td>"</td> <td>"</td> <td>V-675</td> <td>122</td> <td>1/2</td> <td>2900</td> <td>1\"/&gt;  <tr> <td>U-36</td> <td>"</td> <td>"</td> <td>V-675</td> <td>122</td> <td>1/2</td> <td>2900</td> <td>1\"/&gt;  <tr> <td>U-37</td> <td>"</td> <td>"</td> <td>V-675</td> <td>122</td> <td>1/2</td> <td>2900</td> <td>1\"/&gt;  <tr> <td>U-38</td> <td>"</td> <td>"</td> <td>V-675</td> <td>122</td> <td>1/2</td> <td>2900</td> <td>1\"/&gt;  <tr> <td>U-39</td> <td>"</td> <td>"</td> <td>V-675</td> <td>122</td> <td>1/2</td> <td>2900</td> <td>1\"/&gt;  <tr> <td>U-40</td> <td>"</td> <td>"</td> <td>V-675</td> <td>122</td> <td>1/2</td> <td>2900</td> <td>1\"/&gt;  <tr> <td>U-41</td> <td>"</td> <td>"</td> <td>V-675</td> <td>122</td> <td>1/2</td> <td>2900</td> <td>1\"/&gt;  <tr> <td>U-42</td> <td>"</td> <td>"</td> <td>V-675</td> <td>122</td> <td>1/2</td> <td>2900</td> <td>1\"/&gt;  <tr> <td>U-43</td> <td>"</td> <td>"</td> <td>V-675</td> <td>122</td> <td>1/2</td> <td>2900</td> <td>1\"/&gt;  <tr> <td>U-44</td> <td>"</td> <td>"</td> <td>V-675</td> <td>122</td> <td>1/2</td> <td>2900</td> <td>1\"/&gt;  <tr> <td>U-45</td> <td>"</td> <td>"</td> <td>V-675</td> <td>122</td> <td>1/2</td> <td>2900</td> <td>1\"/&gt;  <tr> <td>U-46</td> <td>"</td> <td>"</td> <td>V-675</td> <td>122</td> <td>1/2</td> <td>2900</td> <td>1\"/&gt;  <tr> <td>U-47</td> <td>"</td> <td>"</td> <td>V-675</td> <td>122</td> <td>1/2</td> <td>2900</td> <td>1\"/&gt;  <tr> <td>U-48</td> <td>"</td> <td>"</td> <td>V-675</td> <td>122</td> <td>1/2</td> <td>2900</td> <td>1\"/&gt;  <tr> <td>U-49</td> <td>"</td> <td>"</td> <td>V-675</td> <td>122</td> <td>1/2</td> <td>2900</td> <td>1\"/&gt;  <tr> <td>U-50</td> <td>"</td> <td>"</td> <td>V-675</td> <td>122</td> <td>1/2</td> <td>2900</td> <td>1\"/&gt;  </td></tr></td></tr></td></tr></td></tr></td></tr></td></tr></td></tr></td></tr></td></tr></td></tr></td></tr></td></tr></td></tr></td></tr></td></tr></td></tr></td></tr></td></tr></td></tr></td></tr></td></tr></td></tr></td></tr></td></tr></td></tr></td></tr></td></tr></td></tr></td></tr></td></tr></td></tr></td></tr></td></tr></td></tr></td></tr></td></tr></td></tr></td></tr></td></tr></td></tr></td></tr></td></tr></td></tr></td></tr></td></tr></td></tr> | U-5  | " | " | V-675 | 122 | 1/2 | 2900   | 1\"/> <tr> <td>U-6</td> <td>"</td> <td>"</td> <td>V-675</td> <td>122</td> <td>1/2</td> <td>2900</td> <td>1\"/&gt;  <tr> <td>U-7</td> <td>"</td> <td>"</td> <td>V-675</td> <td>122</td> <td>1/2</td> <td>2900</td> <td>1\"/&gt;  <tr> <td>U-8</td> <td>"</td> <td>"</td> <td>V-675</td> <td>122</td> <td>1/2</td> <td>2900</td> <td>1\"/&gt;  <tr> <td>U-9</td> <td>"</td> <td>"</td> <td>V-675</td> <td>122</td> <td>1/2</td> <td>2900</td> <td>1\"/&gt;  <tr> <td>U-10</td> <td>"</td> <td>"</td> <td>V-675</td> <td>122</td> <td>1/2</td> <td>2900</td> <td>1\"/&gt;  <tr> <td>U-11</td> <td>"</td> <td>"</td> <td>V-675</td> <td>122</td> <td>1/2</td> <td>2900</td> <td>1\"/&gt;  <tr> <td>U-12</td> <td>"</td> <td>"</td> <td>V-675</td> <td>122</td> <td>1/2</td> <td>2900</td> <td>1\"/&gt;  <tr> <td>U-13</td> <td>"</td> <td>"</td> <td>V-675</td> <td>122</td> <td>1/2</td> <td>2900</td> <td>1\"/&gt;  <tr> <td>U-14</td> <td>"</td> <td>"</td> <td>V-675</td> <td>122</td> <td>1/2</td> <td>2900</td> <td>1\"/&gt;  <tr> <td>U-15</td> <td>"</td> <td>"</td> <td>V-675</td> <td>122</td> <td>1/2</td> <td>2900</td> <td>1\"/&gt;  <tr> <td>U-16</td> <td>"</td> <td>"</td> <td>V-675</td> <td>122</td> <td>1/2</td> <td>2900</td> <td>1\"/&gt;  <tr> <td>U-17</td> <td>"</td> <td>"</td> <td>V-675</td> <td>122</td> <td>1/2</td> <td>2900</td> <td>1\"/&gt;  <tr> <td>U-18</td> <td>"</td> <td>"</td> <td>V-675</td> <td>122</td> <td>1/2</td> <td>2900</td> <td>1\"/&gt;  <tr> <td>U-19</td> <td>"</td> <td>"</td> <td>V-675</td> <td>122</td> <td>1/2</td> <td>2900</td> <td>1\"/&gt;  <tr> <td>U-20</td> <td>"</td> <td>"</td> <td>V-675</td> <td>122</td> <td>1/2</td> <td>2900</td> <td>1\"/&gt;  <tr> <td>U-21</td> <td>"</td> <td>"</td> <td>V-675</td> <td>122</td> <td>1/2</td> <td>2900</td> <td>1\"/&gt;  <tr> <td>U-22</td> <td>"</td> <td>"</td> <td>V-675</td> <td>122</td> <td>1/2</td> <td>2900</td> <td>1\"/&gt;  <tr> <td>U-23</td> <td>"</td> <td>"</td> <td>V-675</td> <td>122</td> <td>1/2</td> <td>2900</td> <td>1\"/&gt;  <tr> <td>U-24</td> <td>"</td> <td>"</td> <td>V-675</td> <td>122</td> <td>1/2</td> <td>2900</td> <td>1\"/&gt;  <tr> <td>U-25</td> <td>"</td> <td>"</td> <td>V-675</td> <td>122</td> <td>1/2</td> <td>2900</td> <td>1\"/&gt;  <tr> <td>U-26</td> <td>"</td> <td>"</td> <td>V-675</td> <td>122</td> <td>1/2</td> <td>2900</td> <td>1\"/&gt;  <tr> <td>U-27</td> <td>"</td> <td>"</td> <td>V-675</td> <td>122</td> <td>1/2</td> <td>2900</td> <td>1\"/&gt;  <tr> <td>U-28</td> <td>"</td> <td>"</td> <td>V-675</td> <td>122</td> <td>1/2</td> <td>2900</td> <td>1\"/&gt;  <tr> <td>U-29</td> <td>"</td> <td>"</td> <td>V-675</td> <td>122</td> <td>1/2</td> <td>2900</td> <td>1\"/&gt;  <tr> <td>U-30</td> <td>"</td> <td>"</td> <td>V-675</td> <td>122</td> <td>1/2</td> <td>2900</td> <td>1\"/&gt;  <tr> <td>U-31</td> <td>"</td> <td>"</td> <td>V-675</td> <td>122</td> <td>1/2</td> <td>2900</td> <td>1\"/&gt;  <tr> <td>U-32</td> <td>"</td> <td>"</td> <td>V-675</td> <td>122</td> <td>1/2</td> <td>2900</td> <td>1\"/&gt;  <tr> <td>U-33</td> <td>"</td> <td>"</td> <td>V-675</td> <td>122</td> <td>1/2</td> <td>2900</td> <td>1\"/&gt;  <tr> <td>U-34</td> <td>"</td> <td>"</td> <td>V-675</td> <td>122</td> <td>1/2</td> <td>2900</td> <td>1\"/&gt;  <tr> <td>U-35</td> <td>"</td> <td>"</td> <td>V-675</td> <td>122</td> <td>1/2</td> <td>2900</td> <td>1\"/&gt;  <tr> <td>U-36</td> <td>"</td> <td>"</td> <td>V-675</td> <td>122</td> <td>1/2</td> <td>2900</td> <td>1\"/&gt;  <tr> <td>U-37</td> <td>"</td> <td>"</td> <td>V-675</td> <td>122</td> <td>1/2</td> <td>2900</td> <td>1\"/&gt;  <tr> <td>U-38</td> <td>"</td> <td>"</td> <td>V-675</td> <td>122</td> <td>1/2</td> <td>2900</td> <td>1\"/&gt;  <tr> <td>U-39</td> <td>"</td> <td>"</td> <td>V-675</td> <td>122</td> <td>1/2</td> <td>2900</td> <td>1\"/&gt;  <tr> <td>U-40</td> <td>"</td> <td>"</td> <td>V-675</td> <td>122</td> <td>1/2</td> <td>2900</td> <td>1\"/&gt;  <tr> <td>U-41</td> <td>"</td> <td>"</td> <td>V-675</td> <td>122</td> <td>1/2</td> <td>2900</td> <td>1\"/&gt;  <tr> <td>U-42</td> <td>"</td> <td>"</td> <td>V-675</td> <td>122</td> <td>1/2</td> <td>2900</td> <td>1\"/&gt;  <tr> <td>U-43</td> <td>"</td> <td>"</td> <td>V-675</td> <td>122</td> <td>1/2</td> <td>2900</td> <td>1\"/&gt;  <tr> <td>U-44</td> <td>"</td> <td>"</td> <td>V-675</td> <td>122</td> <td>1/2</td> <td>2900</td> <td>1\"/&gt;  <tr> <td>U-45</td> <td>"</td> <td>"</td> <td>V-675</td> <td>122</td> <td>1/2</td> <td>2900</td> <td>1\"/&gt;  <tr> <td>U-46</td> <td>"</td> <td>"</td> <td>V-675</td> <td>122</td> <td>1/2</td> <td>2900</td> <td>1\"/&gt;  <tr> <td>U-47</td> <td>"</td> <td>"</td> <td>V-675</td> <td>122</td> <td>1/2</td> <td>2900</td> <td>1\"/&gt;  <tr> <td>U-48</td> <td>"</td> <td>"</td> <td>V-675</td> <td>122</td> <td>1/2</td> <td>2900</td> <td>1\"/&gt;  <tr> <td>U-49</td> <td>"</td> <td>"</td> <td>V-675</td> <td>122</td> <td>1/2</td> <td>2900</td> <td>1\"/&gt;  <tr> <td>U-50</td> <td>"</td> <td>"</td> <td>V-675</td> <td>122</td> <td>1/2</td> <td>2900</td> <td>1\"/&gt;  </td></tr></td></tr></td></tr></td></tr></td></tr></td></tr></td></tr></td></tr></td></tr></td></tr></td></tr></td></tr></td></tr></td></tr></td></tr></td></tr></td></tr></td></tr></td></tr></td></tr></td></tr></td></tr></td></tr></td></tr></td></tr></td></tr></td></tr></td></tr></td></tr></td></tr></td></tr></td></tr></td></tr></td></tr></td></tr></td></tr></td></tr></td></tr></td></tr></td></tr></td></tr></td></tr></td></tr></td></tr></td></tr> | U-6  | " | " | V-675 | 122 | 1/2 | 2900    | 1\"/> <tr> <td>U-7</td> <td>"</td> <td>"</td> <td>V-675</td> <td>122</td> <td>1/2</td> <td>2900</td> <td>1\"/&gt;  <tr> <td>U-8</td> <td>"</td> <td>"</td> <td>V-675</td> <td>122</td> <td>1/2</td> <td>2900</td> <td>1\"/&gt;  <tr> <td>U-9</td> <td>"</td> <td>"</td> <td>V-675</td> <td>122</td> <td>1/2</td> <td>2900</td> <td>1\"/&gt;  <tr> <td>U-10</td> <td>"</td> <td>"</td> <td>V-675</td> <td>122</td> <td>1/2</td> <td>2900</td> <td>1\"/&gt;  <tr> <td>U-11</td> <td>"</td> <td>"</td> <td>V-675</td> <td>122</td> <td>1/2</td> <td>2900</td> <td>1\"/&gt;  <tr> <td>U-12</td> <td>"</td> <td>"</td> <td>V-675</td> <td>122</td> <td>1/2</td> <td>2900</td> <td>1\"/&gt;  <tr> <td>U-13</td> <td>"</td> <td>"</td> <td>V-675</td> <td>122</td> <td>1/2</td> <td>2900</td> <td>1\"/&gt;  <tr>
<td>U-14</td> <td>"</td> <td>"</td> <td>V-675</td> <td>122</td> <td>1/2</td> <td>2900</td> <td>1\"/&gt;  <tr> <td>U-15</td> <td>"</td> <td>"</td> <td>V-675</td> <td>122</td> <td>1/2</td> <td>2900</td> <td>1\"/&gt;  <tr> <td>U-16</td> <td>"</td> <td>"</td> <td>V-675</td> <td>122</td> <td>1/2</td> <td>2900</td> <td>1\"/&gt;  <tr> <td>U-17</td> <td>"</td> <td>"</td> <td>V-675</td> <td>122</td> <td>1/2</td> <td>2900</td> <td>1\"/&gt;  <tr> <td>U-18</td> <td>"</td> <td>"</td> <td>V-675</td> <td>122</td> <td>1/2</td> <td>2900</td> <td>1\"/&gt;  <tr> <td>U-19</td> <td>"</td> <td>"</td> <td>V-675</td> <td>122</td> <td>1/2</td> <td>2900</td> <td>1\"/&gt;  <tr> <td>U-20</td> <td>"</td> <td>"</td> <td>V-675</td> <td>122</td> <td>1/2</td> <td>2900</td> <td>1\"/&gt;  <tr> <td>U-21</td> <td>"</td> <td>"</td> <td>V-675</td> <td>122</td> <td>1/2</td> <td>2900</td> <td>1\"/&gt;  <tr> <td>U-22</td> <td>"</td> <td>"</td> <td>V-675</td> <td>122</td> <td>1/2</td> <td>2900</td> <td>1\"/&gt;  <tr> <td>U-23</td> <td>"</td> <td>"</td> <td>V-675</td> <td>122</td> <td>1/2</td> <td>2900</td> <td>1\"/&gt;  <tr> <td>U-24</td> <td>"</td> <td>"</td> <td>V-675</td> <td>122</td> <td>1/2</td> <td>2900</td> <td>1\"/&gt;  <tr> <td>U-25</td> <td>"</td> <td>"</td> <td>V-675</td> <td>122</td> <td>1/2</td> <td>2900</td> <td>1\"/&gt;  <tr> <td>U-26</td> <td>"</td> <td>"</td> <td>V-675</td> <td>122</td> <td>1/2</td> <td>2900</td> <td>1\"/&gt;  <tr> <td>U-27</td> <td>"</td> <td>"</td> <td>V-675</td> <td>122</td> <td>1/2</td> <td>2900</td> <td>1\"/&gt;  <tr> <td>U-28</td> <td>"</td> <td>"</td> <td>V-675</td> <td>122</td> <td>1/2</td> <td>2900</td> <td>1\"/&gt;  <tr> <td>U-29</td> <td>"</td> <td>"</td> <td>V-675</td> <td>122</td> <td>1/2</td> <td>2900</td> <td>1\"/&gt;  <tr> <td>U-30</td> <td>"</td> <td>"</td> <td>V-675</td> <td>122</td> <td>1/2</td> <td>2900</td> <td>1\"/&gt;  <tr> <td>U-31</td> <td>"</td> <td>"</td> <td>V-675</td> <td>122</td> <td>1/2</td> <td>2900</td> <td>1\"/&gt;  <tr> <td>U-32</td> <td>"</td> <td>"</td> <td>V-675</td> <td>122</td> <td>1/2</td> <td>2900</td> <td>1\"/&gt;  <tr> <td>U-33</td> <td>"</td> <td>"</td> <td>V-675</td> <td>122</td> <td>1/2</td> <td>2900</td> <td>1\"/&gt;  <tr> <td>U-34</td> <td>"</td> <td>"</td> <td>V-675</td> <td>122</td> <td>1/2</td> <td>2900</td> <td>1\"/&gt;  <tr> <td>U-35</td> <td>"</td> <td>"</td> <td>V-675</td> <td>122</td> <td>1/2</td> <td>2900</td> <td>1\"/&gt;  <tr> <td>U-36</td> <td>"</td> <td>"</td> <td>V-675</td> <td>122</td> <td>1/2</td> <td>2900</td> <td>1\"/&gt;  <tr> <td>U-37</td> <td>"</td> <td>"</td> <td>V-675</td> <td>122</td> <td>1/2</td> <td>2900</td> <td>1\"/&gt;  <tr> <td>U-38</td> <td>"</td> <td>"</td> <td>V-675</td> <td>122</td> <td>1/2</td> <td>2900</td> <td>1\"/&gt;  <tr> <td>U-39</td> <td>"</td> <td>"</td> <td>V-675</td> <td>122</td> <td>1/2</td> <td>2900</td> <td>1\"/&gt;  <tr> <td>U-40</td> <td>"</td> <td>"</td> <td>V-675</td> <td>122</td> <td>1/2</td> <td>2900</td> <td>1\"/&gt;  <tr> <td>U-41</td> <td>"</td> <td>"</td> <td>V-675</td> <td>122</td> <td>1/2</td> <td>2900</td> <td>1\"/&gt;  <tr> <td>U-42</td> <td>"</td> <td>"</td> <td>V-675</td> <td>122</td> <td>1/2</td> <td>2900</td> <td>1\"/&gt;  <tr> <td>U-43</td> <td>"</td> <td>"</td> <td>V-675</td> <td>122</td> <td>1/2</td> <td>2900</td> <td>1\"/&gt;  <tr> <td>U-44</td> <td>"</td> <td>"</td> <td>V-675</td> <td>122</td> <td>1/2</td> <td>2900</td> <td>1\"/&gt;  <tr> <td>U-45</td> <td>"</td> <td>"</td> <td>V-675</td> <td>122</td> <td>1/2</td> <td>2900</td> <td>1\"/&gt;  <tr> <td>U-46</td> <td>"</td> <td>"</td> <td>V-675</td> <td>122</td> <td>1/2</td> <td>2900</td> <td>1\"/&gt;  <tr> <td>U-47</td> <td>"</td> <td>"</td> <td>V-675</td> <td>122</td> <td>1/2</td> <td>2900</td> <td>1\"/&gt;  <tr> <td>U-48</td> <td>"</td> <td>"</td> <td>V-675</td> <td>122</td> <td>1/2</td> <td>2900</td> <td>1\"/&gt;  <tr> <td>U-49</td> <td>"</td> <td>"</td> <td>V-675</td> <td>122</td> <td>1/2</td> <td>2900</td> <td>1\"/&gt;  <tr> <td>U-50</td> <td>"</td> <td>"</td> <td>V-675</td> <td>122</td> <td>1/2</td> <td>2900</td> <td>1\"/&gt;  </td></tr></td></tr></td></tr></td></tr></td></tr></td></tr></td></tr></td></tr></td></tr></td></tr></td></tr></td></tr></td></tr></td></tr></td></tr></td></tr></td></tr></td></tr></td></tr></td></tr></td></tr></td></tr></td></tr></td></tr></td></tr></td></tr></td></tr></td></tr></td></tr></td></tr></td></tr></td></tr></td></tr></td></tr></td></tr></td></tr></td></tr></td></tr></td></tr></td></tr></td></tr></td></tr></td></tr></td></tr> | U-7  | "           | "      | V-675  | 122  | 1/2 | 2900 | 1\"/> <tr> <td>U-8</td> <td>"</td> <td>"</td> <td>V-675</td> <td>122</td> <td>1/2</td> <td>2900</td> <td>1\"/&gt;  <tr> <td>U-9</td> <td>"</td> <td>"</td> <td>V-675</td> <td>122</td> <td>1/2</td> <td>2900</td> <td>1\"/&gt;  <tr> <td>U-10</td> <td>"</td> <td>"</td> <td>V-675</td> <td>122</td> <td>1/2</td> <td>2900</td> <td>1\"/&gt;  <tr> <td>U-11</td> <td>"</td> <td>"</td> <td>V-675</td> <td>122</td> <td>1/2</td> <td>2900</td> <td>1\"/&gt;  <tr> <td>U-12</td> <td>"</td> <td>"</td> <td>V-675</td> <td>122</td> <td>1/2</td> <td>2900</td> <td>1\"/&gt;  <tr> <td>U-13</td> <td>"</td> <td>"</td> <td>V-675</td> <td>122</td> <td>1/2</td> <td>2900</td> <td>1\"/&gt;  <tr> <td>U-14</td> <td>"</td> <td>"</td> <td>V-675</td> <td>122</td> <td>1/2</td> <td>2900</td> <td>1\"/&gt;  <tr> <td>U-15</td> <td>"</td> <td>"</td> <td>V-675</td> <td>122</td> <td>1/2</td> <td>2900</td> <td>1\"/&gt;  <tr> <td>U-16</td> <td>"</td> <td>"</td> <td>V-675</td> <td>122</td> <td>1/2</td> <td>2900</td> <td>1\"/&gt;  <tr> <td>U-17</td> <td>"</td> <td>"</td> <td>V-675</td> <td>122</td> <td>1/2</td> <td>2900</td> <td>1\"/&gt;  <tr> <td>U-18</td> <td>"</td> <td>"</td> <td>V-675</td> <td>122</td> <td>1/2</td> <td>2900</td> <td>1\"/&gt;  <tr> <td>U-19</td> <td>"</td> <td>"</td> <td>V-675</td> <td>122</td> <td>1/2</td> <td>2900</td> <td>1\"/&gt;  <tr> <td>U-20</td> <td>"</td> <td>"</td> <td>V-675</td> <td>122</td> <td>1/2</td> <td>2900</td> <td>1\"/&gt;  <tr> <td>U-21</td> <td>"</td> <td>"</td> <td>V-675</td> <td>122</td> <td>1/2</td> <td>2900</td> <td>1\"/&gt;  <tr> <td>U-22</td> <td>"</td> <td>"</td> <td>V-675</td> <td>122</td> <td>1/2</td> <td>2900</td> <td>1\"/&gt;  <tr> <td>U-23</td> <td>"</td> <td>"</td> <td>V-675</td> <td>122</td> <td>1/2</td> <td>2900</td> <td>1\"/&gt;  <tr> <td>U-24</td> <td>"</td> <td>"</td> <td>V-675</td> <td>122</td> <td>1/2</td> <td>2900</td> <td>1\"/&gt;  <tr> <td>U-25</td> <td>"</td> <td>"</td> <td>V-675</td> <td>122</td> <td>1/2</td> <td>2900</td> <td>1\"/&gt;  <tr> <td>U-26</td> <td>"</td> <td>"</td> <td>V-675</td> <td>122</td> <td>1/2</td> <td>2900</td> <td>1\"/&gt;  <tr> <td>U-27</td> <td>"</td> <td>"</td> <td>V-675</td> <td>122</td> <td>1/2</td> <td>2900</td> <td>1\"/&gt;  <tr> <td>U-28</td> <td>"</td> <td>"</td> <td>V-675</td> <td>122</td> <td>1/2</td> <td>2900</td> <td>1\"/&gt;  <tr> <td>U-29</td> <td>"</td> <td>"</td> <td>V-675</td> <td>122</td> <td>1/2</td> <td>2900</td> <td>1\"/&gt;  <tr> <td>U-30</td> <td>"</td> <td>"</td> <td>V-675</td> <td>122</td> <td>1/2</td> <td>2900</td> <td>1\"/&gt;  <tr> <td>U-31</td> <td>"</td> <td>"</td> <td>V-675</td> <td>122</td> <td>1/2</td> <td>2900</td> <td>1\"/&gt;  <tr> <td>U-32</td> <td>"</td> <td>"</td> <td>V-675</td> <td>122</td> <td>1/2</td> <td>2900</td> <td>1\"/&gt;  <tr> <td>U-33</td> <td>"</td> <td>"</td> <td>V-675</td> <td>122</td> <td>1/2</td> <td>2900</td> <td>1\"/&gt;  <tr> <td>U-34</td> <td>"</td> <td>"</td> <td>V-675</td> <td>122</td> <td>1/2</td> <td>2900</td> <td>1\"/&gt;  <tr> <td>U-35</td> <td>"</td> <td>"</td> <td>V-675</td> <td>122</td> <td>1/2</td> <td>2900</td> <td>1\"/&gt;  <tr> <td>U-36</td> <td>"</td> <td>"</td> <td>V-675</td> <td>122</td> <td>1/2</td> <td>2900</td> <td>1\"/&gt;  <tr> <td>U-37</td> <td>"</td> <td>"</td> <td>V-675</td> <td>122</td> <td>1/2</td> <td>2900</td> <td>1\"/&gt;  <tr> <td>U-38</td> <td>"</td> <td>"</td> <td>V-675</td> <td>122</td> <td>1/2</td> <td>2900</td> <td>1\"/&gt;  <tr> <td>U-39</td> <td>"</td> <td>"</td> <td>V-675</td> <td>122</td> <td>1/2</td> <td>2900</td> <td>1\"/&gt;  <tr> <td>U-40</td> <td>"</td> <td>"</td> <td>V-675</td> <td>122</td> <td>1/2</td> <td>2900</td> <td>1\"/&gt;  <tr> <td>U-41</td> <td>"</td> <td>"</td> <td>V-675</td> <td>122</td> <td>1/2</td> <td>2900</td> <td>1\"/&gt;  <tr> <td>U-42</td> <td>"</td> <td>"</td> <td>V-675</td> <td>122</td> <td>1/2</td> <td>2900</td> <td>1\"/&gt;  <tr> <td>U-43</td> <td>"</td> <td>"</td> <td>V-675</td> <td>122</td> <td>1/2</td> <td>2900</td> <td>1\"/&gt;  <tr> <td>U-44</td> <td>"</td> <td>"</td> <td>V-675</td> <td>122</td> <td>1/2</td> <td>2900</td> <td>1\"/&gt;  <tr> <td>U-45</td> <td>"</td> <td>"</td> <td>V-675</td> <td>122</td> <td>1/2</td> <td>2900</td> <td>1\"/&gt;  <tr> <td>U-46</td> <td>"</td> <td>"</td> <td>V-675</td> <td>122</td> <td>1/2</td> <td>2900</td> <td>1\"/&gt;  <tr> <td>U-47</td> <td>"</td> <td>"</td> <td>V-675</td> <td>122</td> <td>1/2</td> <td>2900</td> <td>1\"/&gt;  <tr> <td>U-48</td> <td>"</td> <td>"</td> <td>V-675</td> <td>122</td> <td>1/2</td> <td>2900</td> <td>1\"/&gt;  <tr> <td>U-49</td> <td>"</td> <td>"</td> <td>V-675</td> <td>122</td> <td>1/2</td> <td>2900</td> <td>1\"/&gt;  <tr> <td>U-50</td> <td>"</td> <td>"</td> <td>V-675</td> <td>122</td> <td>1/2</td> <td>2900</td> <td>1\"/&gt;  </td></tr></td></tr></td></tr></td></tr></td></tr></td></tr></td></tr></td></tr></td></tr></td></tr></td></tr></td></tr></td></tr></td></tr></td></tr></td></tr></td></tr></td></tr></td></tr></td></tr></td></tr></td></tr></td></tr></td></tr></td></tr></td></tr></td></tr></td></tr></td></tr></td></tr></td></tr></td></tr></td></tr></td></tr></td></tr></td></tr></td></tr></td></tr></td></tr></td></tr></td></tr></td></tr></td></tr>  
   | U-8  | " | " | V-675  | 122  | 1/2 | 2900 | 1\"/> <tr> <td>U-9</td> <td>"</td> <td>"</td> <td>V-675</td> <td>122</td> <td>1/2</td> <td>2900</td> <td>1\"/&gt;  <tr> <td>U-10</td> <td>"</td> <td>"</td> <td>V-675</td> <td>122</td> <td>1/2</td> <td>2900</td> <td>1\"/&gt;  <tr> <td>U-11</td> <td>"</td> <td>"</td> <td>V-675</td> <td>122</td> <td>1/2</td> <td>2900</td> <td>1\"/&gt;  <tr> <td>U-12</td> <td>"</td> <td>"</td> <td>V-675</td> <td>122</td> <td>1/2</td> <td>2900</td> <td>1\"/&gt;  <tr> <td>U-13</td> <td>"</td> <td>"</td> <td>V-675</td> <td>122</td> <td>1/2</td> <td>2900</td> <td>1\"/&gt;  <tr> <td>U-14</td> <td>"</td> <td>"</td> <td>V-675</td> <td>122</td> <td>1/2</td> <td>2900</td> <td>1\"/&gt;  <tr> <td>U-15</td> <td>"</td> <td>"</td> <td>V-675</td> <td>122</td> <td>1/2</td> <td>2900</td> <td>1\"/&gt;  <tr> <td>U-16</td> <td>"</td> <td>"</td> <td>V-675</td> <td>122</td> <td>1/2</td> <td>2900</td> <td>1\"/&gt;  <tr> <td>U-17</td> <td>"</td> <td>"</td> <td>V-675</td> <td>122</td> <td>1/2</td> <td>2900</td> <td>1\"/&gt;  <tr> <td>U-18</td> <td>"</td> <td>"</td> <td>V-675</td> <td>122</td> <td>1/2</td> <td>2900</td> <td>1\"/&gt;  <tr> <td>U-19</td> <td>"</td> <td>"</td> <td>V-675</td> <td>122</td> <td>1/2</td> <td>2900</td> <td>1\"/&gt;  <tr> <td>U-20</td> <td>"</td> <td>"</td> <td>V-675</td> <td>122</td> <td>1/2</td> <td>2900</td> <td>1\"/&gt;  <tr> <td>U-21</td> <td>"</td> <td>"</td> <td>V-675</td> <td>122</td> <td>1/2</td> <td>2900</td> <td>1\"/&gt;  <tr> <td>U-22</td> <td>"</td> <td>"</td> <td>V-675</td> <td>122</td> <td>1/2</td> <td>2900</td> <td>1\"/&gt;  <tr> <td>U-23</td> <td>"</td> <td>"</td> <td>V-675</td> <td>122</td> <td>1/2</td> <td>2900</td> <td>1\"/&gt;  <tr> <td>U-24</td> <td>"</td> <td>"</td> <td>V-675</td> <td>122</td> <td>1/2</td> <td>2900</td> <td>1\"/&gt;  <tr> <td>U-25</td> <td>"</td> <td>"</td> <td>V-675</td> <td>122</td> <td>1/2</td> <td>2900</td> <td>1\"/&gt;  <tr> <td>U-26</td> <td>"</td> <td>"</td> <td>V-675</td> <td>122</td> <td>1/2</td> <td>2900</td> <td>1\"/&gt;  <tr> <td>U-27</td> <td>"</td> <td>"</td> <td>V-675</td> <td>122</td> <td>1/2</td> <td>2900</td> <td>1\"/&gt;  <tr> <td>U-28</td> <td>"</td> <td>"</td> <td>V-675</td> <td>122</td> <td>1/2</td> <td>2900</td> <td>1\"/&gt;  <tr> <td>U-29</td> <td>"</td> <td>"</td> <td>V-675</td> <td>122</td> <td>1/2</td> <td>2900</td> <td>1\"/&gt;  <tr> <td>U-30</td> <td>"</td> <td>"</td> <td>V-675</td> <td>122</td> <td>1/2</td> <td>2900</td> <td>1\"/&gt;  <tr> <td>U-31</td> <td>"</td> <td>"</td> <td>V-675</td> <td>122</td> <td>1/2</td> <td>2900</td> <td>1\"/&gt;  <tr> <td>U-32</td> <td>"</td> <td>"</td> <td>V-675</td> <td>122</td> <td>1/2</td> <td>2900</td> <td>1\"/&gt;  <tr> <td>U-33</td> <td>"</td> <td>"</td> <td>V-675</td> <td>122</td> <td>1/2</td> <td>2900</td> <td>1\"/&gt;  <tr> <td>U-34</td> <td>"</td> <td>"</td> <td>V-675</td> <td>122</td> <td>1/2</td> <td>2900</td> <td>1\"/&gt;  <tr> <td>U-35</td> <td>"</td> <td>"</td> <td>V-675</td> <td>122</td> <td>1/2</td> <td>2900</td> <td>1\"/&gt;  <tr> <td>U-36</td> <td>"</td> <td>"</td> <td>V-675</td> <td>122</td> <td>1/2</td> <td>2900</td> <td>1\"/&gt;  <tr> <td>U-37</td> <td>"</td> <td>"</td> <td>V-675</td> <td>122</td> <td>1/2</td> <td>2900</td> <td>1\"/&gt;  <tr> <td>U-38</td> <td>"</td> <td>"</td> <td>V-675</td> <td>122</td> <td>1/2</td> <td>2900</td> <td>1\"/&gt;  <tr> <td>U-39</td> <td>"</td> <td>"</td> <td>V-675</td> <td>122</td> <td>1/2</td> <td>2900</td> <td>1\"/&gt;  <tr> <td>U-40</td> <td>"</td> <td>"</td> <td>V-675</td> <td>122</td> <td>1/2</td> <td>2900</td> <td>1\"/&gt;  <tr> <td>U-41</td> <td>"</td> <td>"</td> <td>V-675</td> <td>122</td> <td>1/2</td> <td>2900</td> <td>1\"/&gt;  <tr> <td>U-42</td> <td>"</td> <td>"</td> <td>V-675</td> <td>122</td> <td>1/2</td> <td>2900</td> <td>1\"/&gt;  <tr> <td>U-43</td> <td>"</td> <td>"</td> <td>V-675</td> <td>122</td> <td>1/2</td> <td>2900</td> <td>1\"/&gt;  <tr> <td>U-44</td> <td>"</td> <td>"</td> <td>V-675</td> <td>122</td> <td>1/2</td> <td>2900</td> <td>1\"/&gt;  <tr> <td>U-45</td> <td>"</td> <td>"</td> <td>V-675</td> <td>122</td> <td>1/2</td> <td>2900</td> <td>1\"/&gt;  <tr> <td>U-46</td> <td>"</td> <td>"</td> <td>V-675</td> <td>122</td> <td>1/2</td> <td>2900</td> <td>1\"/&gt;  <tr> <td>U-47</td> <td>"</td> <td>"</td> <td>V-675</td> <td>122</td> <td>1/2</td> <td>2900</td> <td>1\"/&gt;  <tr> <td>U-48</td> <td>"</td> <td>"</td> <td>V-675</td> <td>122</td> <td>1/2</td> <td>2900</td> <td>1\"/&gt;  <tr> <td>U-49</td> <td>"</td> <td>"</td> <td>V-675</td> <td>122</td> <td>1/2</td> <td>2900</td> <td>1\"/&gt;  <tr> <td>U-50</td> <td>"</td> <td>"</td> <td>V-675</td> <td>122</td> <td>1/2</td> <td>2900</td> <td>1\"/&gt;  </td></tr></td></tr></td></tr></td></tr></td></tr></td></tr></td></tr></td></tr></td></tr></td></tr></td></tr></td></tr></td></tr></td></tr></td></tr></td></tr></td></tr></td></tr></td></tr></td></tr></td></tr></td></tr></td></tr></td></tr></td></tr></td></tr></td></tr></td></tr></td></tr></td></tr></td></tr></td></tr></td></tr></td></tr></td></tr></td></tr></td></tr></td></tr></td></tr></td></tr></td></tr></td></tr>  | U-9  | " | " | V-675  | 122 | 1/2 | 2900 | 1\"/> <tr> <td>U-10</td> <td>"</td> <td>"</td> <td>V-675</td> <td>122</td> <td>1/2</td> <td>2900</td> <td>1\"/&gt;  <tr> <td>U-11</td> <td>"</td> <td>"</td> <td>V-675</td> <td>122</td> <td>1/2</td> <td>2900</td> <td>1\"/&gt;  <tr> <td>U-12</td> <td>"</td> <td>"</td> <td>V-675</td> <td>122</td> <td>1/2</td> <td>2900</td> <td>1\"/&gt;  <tr> <td>U-13</td> <td>"</td> <td>"</td> <td>V-675</td> <td>122</td> <td>1/2</td> <td>2900</td> <td>1\"/&gt;  <tr> <td>U-14</td> <td>"</td> <td>"</td> <td>V-675</td> <td>122</td> <td>1/2</td> <td>2900</td> <td>1\"/&gt;  <tr> <td>U-15</td> <td>"</td> <td>"</td> <td>V-675</td> <td>122</td> <td>1/2</td> <td>2900</td> <td>1\"/&gt;  <tr> <td>U-16</td> <td>"</td> <td>"</td> <td>V-675</td> <td>122</td> <td>1/2</td> <td>2900</td> <td>1\"/&gt;  <tr> <td>U-17</td> <td>"</td> <td>"</td> <td>V-675</td> <td>122</td> <td>1/2</td> <td>2900</td> <td>1\"/&gt;  <tr> <td>U-18</td> <td>"</td> <td>"</td> <td>V-675</td> <td>122</td> <td>1/2</td> <td>2900</td> <td>1\"/&gt;  <tr> <td>U-19</td> <td>"</td> <td>"</td> <td>V-675</td> <td>122</td> <td>1/2</td> <td>2900</td> <td>1\"/&gt;  <tr> <td>U-20</td> <td>"</td> <td>"</td> <td>V-675</td> <td>122</td> <td>1/2</td> <td>2900</td> <td>1\"/&gt;  <tr> <td>U-21</td> <td>"</td> <td>"</td> <td>V-675</td> <td>122</td> <td>1/2</td> <td>2900</td> <td>1\"/&gt;  <tr> <td>U-22</td> <td>"</td> <td>"</td> <td>V-675</td> <td>122</td> <td>1/2</td> <td>2900</td> <td>1\"/&gt;  <tr> <td>U-23</td> <td>"</td> <td>"</td> <td>V-675</td> <td>122</td> <td>1/2</td> <td>2900</td> <td>1\"/&gt;  <tr> <td>U-24</td> <td>"</td> <td>"</td> <td>V-675</td> <td>122</td> <td>1/2</td> <td>2900</td> <td>1\"/&gt;  <tr> <td>U-25</td> <td>"</td> <td>"</td> <td>V-675</td> <td>122</td> <td>1/2</td> <td>2900</td> <td>1\"/&gt;  <tr> <td>U-26</td> <td>"</td> <td>"</td> <td>V-675</td> <td>122</td> <td>1/2</td> <td>2900</td> <td>1\"/&gt;  <tr> <td>U-27</td> <td>"</td> <td>"</td> <td>V-675</td> <td>122</td> <td>1/2</td> <td>2900</td> <td>1\"/&gt;  <tr> <td>U-28</td> <td>"</td> <td>"</td> <td>V-675</td> <td>122</td> <td>1/2</td> <td>2900</td> <td>1\"/&gt;  <tr> <td>U-29</td> <td>"</td> <td>"</td> <td>V-675</td> <td>122</td> <td>1/2</td> <td>2900</td> <td>1\"/&gt;  <tr> <td>U-30</td> <td>"</td> <td>"</td> <td>V-675</td> <td>122</td> <td>1/2</td> <td>2900</td> <td>1\"/&gt;  <tr> <td>U-31</td> <td>"</td> <td>"</td> <td>V-675</td> <td>122</td> <td>1/2</td> <td>2900</td> <td>1\"/&gt;  <tr> <td>U-32</td> <td>"</td> <td>"</td> <td>V-675</td> <td>122</td> <td>1/2</td> <td>2900</td> <td>1\"/&gt;  <tr> <td>U-33</td> <td>"</td> <td>"</td> <td>V-675</td> <td>122</td> <td>1/2</td> <td>2900</td> <td>1\"/&gt;  <tr> <td>U-34</td> <td>"</td> <td>"</td> <td>V-675</td> <td>122</td> <td>1/2</td> <td>2900</td> <td>1\"/&gt;  <tr> <td>U-35</td> <td>"</td> <td>"</td> <td>V-675</td> <td>122</td> <td>1/2</td> <td>2900</td> <td>1\"/&gt;  <tr> <td>U-36</td> <td>"</td> <td>"</td> <td>V-675</td> <td>122</td> <td>1/2</td> <td>2900</td> <td>1\"/&gt;  <tr> <td>U-37</td> <td>"</td> <td>"</td> <td>V-675</td> <td>122</td> <td>1/2</td> <td>2900</td> <td>1\"/&gt;  <tr> <td>U-38</td> <td>"</td> <td>"</td> <td>V-675</td> <td>122</td> <td>1/2</td> <td>2900</td> <td>1\"/&gt;  <tr> <td>U-39</td> <td>"</td> <td>"</td> <td>V-675</td> <td>122</td> <td>1/2</td> <td>2900</td> <td>1\"/&gt;  <tr> <td>U-40</td> <td>"</td> <td>"</td> <td>V-675</td> <td>122</td> <td>1/2</td> <td>2900</td> <td>1\"/&gt;  <tr> <td>U-41</td> <td>"</td> <td>"</td> <td>V-675</td> <td>122</td> <td>1/2</td> <td>2900</td> <td>1\"/&gt;  <tr> <td>U-42</td> <td>"</td> <td>"</td> <td>V-675</td> <td>122</td> <td>1/2</td> <td>2900</td> <td>1\"/&gt;  <tr> <td>U-43</td> <td>"</td> <td>"</td> <td>V-675</td>
<td>122</td> <td>1/2</td> <td>2900</td> <td>1\"/&gt;  <tr> <td>U-44</td> <td>"</td> <td>"</td> <td>V-675</td> <td>122</td> <td>1/2</td> <td>2900</td> <td>1\"/&gt;  <tr> <td>U-45</td> <td>"</td> <td>"</td> <td>V-675</td> <td>122</td> <td>1/2</td> <td>2900</td> <td>1\"/&gt;  <tr> <td>U-46</td> <td>"</td> <td>"</td> <td>V-675</td> <td>122</td> <td>1/2</td> <td>2900</td> <td>1\"/&gt;  <tr> <td>U-47</td> <td>"</td> <td>"</td> <td>V-675</td> <td>122</td> <td>1/2</td> <td>2900</td> <td>1\"/&gt;  <tr> <td>U-48</td> <td>"</td> <td>"</td> <td>V-675</td> <td>122</td> <td>1/2</td> <td>2900</td> <td>1\"/&gt;  <tr> <td>U-49</td> <td>"</td> <td>"</td> <td>V-675</td> <td>122</td> <td>1/2</td> <td>2900</td> <td>1\"/&gt;  <tr> <td>U-50</td> <td>"</td> <td>"</td> <td>V-675</td> <td>122</td> <td>1/2</td> <td>2900</td> <td>1\"/&gt;  </td></tr></td></tr></td></tr></td></tr></td></tr></td></tr></td></tr></td></tr></td></tr></td></tr></td></tr></td></tr></td></tr></td></tr></td></tr></td></tr></td></tr></td></tr></td></tr></td></tr></td></tr></td></tr></td></tr></td></tr></td></tr></td></tr></td></tr></td></tr></td></tr></td></tr></td></tr></td></tr></td></tr></td></tr></td></tr></td></tr></td></tr></td></tr></td></tr></td></tr></td></tr>   | U-10 | " | " | V-675 | 122 | 1/2 | 2900 | 1\"/> <tr> <td>U-11</td> <td>"</td> <td>"</td> <td>V-675</td> <td>122</td> <td>1/2</td> <td>2900</td> <td>1\"/&gt;  <tr> <td>U-12</td> <td>"</td> <td>"</td> <td>V-675</td> <td>122</td> <td>1/2</td> <td>2900</td> <td>1\"/&gt;  <tr> <td>U-13</td> <td>"</td> <td>"</td> <td>V-675</td> <td>122</td> <td>1/2</td> <td>2900</td> <td>1\"/&gt;  <tr> <td>U-14</td> <td>"</td> <td>"</td> <td>V-675</td> <td>122</td> <td>1/2</td> <td>2900</td> <td>1\"/&gt;  <tr> <td>U-15</td> <td>"</td> <td>"</td> <td>V-675</td> <td>122</td> <td>1/2</td> <td>2900</td> <td>1\"/&gt;  <tr> <td>U-16</td> <td>"</td> <td>"</td> <td>V-675</td> <td>122</td> <td>1/2</td> <td>2900</td> <td>1\"/&gt;  <tr> <td>U-17</td> <td>"</td> <td>"</td> <td>V-675</td> <td>122</td> <td>1/2</td> <td>2900</td> <td>1\"/&gt;  <tr> <td>U-18</td> <td>"</td> <td>"</td> <td>V-675</td> <td>122</td> <td>1/2</td> <td>2900</td> <td>1\"/&gt;  <tr> <td>U-19</td> <td>"</td> <td>"</td> <td>V-675</td> <td>122</td> <td>1/2</td> <td>2900</td> <td>1\"/&gt;  <tr> <td>U-20</td> <td>"</td> <td>"</td> <td>V-675</td> <td>122</td> <td>1/2</td> <td>2900</td> <td>1\"/&gt;  <tr> <td>U-21</td> <td>"</td> <td>"</td> <td>V-675</td> <td>122</td> <td>1/2</td> <td>2900</td> <td>1\"/&gt;  <tr> <td>U-22</td> <td>"</td> <td>"</td> <td>V-675</td> <td>122</td> <td>1/2</td> <td>2900</td> <td>1\"/&gt;  <tr> <td>U-23</td> <td>"</td> <td>"</td> <td>V-675</td> <td>122</td> <td>1/2</td> <td>2900</td> <td>1\"/&gt;  <tr> <td>U-24</td> <td>"</td> <td>"</td> <td>V-675</td> <td>122</td> <td>1/2</td> <td>2900</td> <td>1\"/&gt;  <tr> <td>U-25</td> <td>"</td> <td>"</td> <td>V-675</td> <td>122</td> <td>1/2</td> <td>2900</td> <td>1\"/&gt;  <tr> <td>U-26</td> <td>"</td> <td>"</td> <td>V-675</td> <td>122</td> <td>1/2</td> <td>2900</td> <td>1\"/&gt;  <tr> <td>U-27</td> <td>"</td> <td>"</td> <td>V-675</td> <td>122</td> <td>1/2</td> <td>2900</td> <td>1\"/&gt;  <tr> <td>U-28</td> <td>"</td> <td>"</td> <td>V-675</td> <td>122</td> <td>1/2</td> <td>2900</td> <td>1\"/&gt;  <tr> <td>U-29</td> <td>"</td> <td>"</td> <td>V-675</td> <td>122</td> <td>1/2</td> <td>2900</td> <td>1\"/&gt;  <tr> <td>U-30</td> <td>"</td> <td>"</td> <td>V-675</td> <td>122</td> <td>1/2</td> <td>2900</td> <td>1\"/&gt;  <tr> <td>U-31</td> <td>"</td> <td>"</td> <td>V-675</td> <td>122</td> <td>1/2</td> <td>2900</td> <td>1\"/&gt;  <tr> <td>U-32</td> <td>"</td> <td>"</td> <td>V-675</td> <td>122</td> <td>1/2</td> <td>2900</td> <td>1\"/&gt;  <tr> <td>U-33</td> <td>"</td> <td>"</td> <td>V-675</td> <td>122</td> <td>1/2</td> <td>2900</td> <td>1\"/&gt;  <tr> <td>U-34</td> <td>"</td> <td>"</td> <td>V-675</td> <td>122</td> <td>1/2</td> <td>2900</td> <td>1\"/&gt;  <tr> <td>U-35</td> <td>"</td> <td>"</td> <td>V-675</td> <td>122</td> <td>1/2</td> <td>2900</td> <td>1\"/&gt;  <tr> <td>U-36</td> <td>"</td> <td>"</td> <td>V-675</td> <td>122</td> <td>1/2</td> <td>2900</td> <td>1\"/&gt;  <tr> <td>U-37</td> <td>"</td> <td>"</td> <td>V-675</td> <td>122</td> <td>1/2</td> <td>2900</td> <td>1\"/&gt;  <tr> <td>U-38</td> <td>"</td> <td>"</td> <td>V-675</td> <td>122</td> <td>1/2</td> <td>2900</td> <td>1\"/&gt;  <tr> <td>U-39</td> <td>"</td> <td>"</td> <td>V-675</td> <td>122</td> <td>1/2</td> <td>2900</td> <td>1\"/&gt;  <tr> <td>U-40</td> <td>"</td> <td>"</td> <td>V-675</td> <td>122</td> <td>1/2</td> <td>2900</td> <td>1\"/&gt;  <tr> <td>U-41</td> <td>"</td> <td>"</td> <td>V-675</td> <td>122</td> <td>1/2</td> <td>2900</td> <td>1\"/&gt;  <tr> <td>U-42</td> <td>"</td> <td>"</td> <td>V-675</td> <td>122</td> <td>1/2</td> <td>2900</td> <td>1\"/&gt;  <tr> <td>U-43</td> <td>"</td> <td>"</td> <td>V-675</td> <td>122</td> <td>1/2</td> <td>2900</td> <td>1\"/&gt;  <tr> <td>U-44</td> <td>"</td> <td>"</td> <td>V-675</td> <td>122</td> <td>1/2</td> <td>2900</td> <td>1\"/&gt;  <tr> <td>U-45</td> <td>"</td> <td>"</td> <td>V-675</td> <td>122</td> <td>1/2</td> <td>2900</td> <td>1\"/&gt;  <tr> <td>U-46</td> <td>"</td> <td>"</td> <td>V-675</td> <td>122</td> <td>1/2</td> <td>2900</td> <td>1\"/&gt;  <tr> <td>U-47</td> <td>"</td> <td>"</td> <td>V-675</td> <td>122</td> <td>1/2</td> <td>2900</td> <td>1\"/&gt;  <tr> <td>U-48</td> <td>"</td> <td>"</td> <td>V-675</td> <td>122</td> <td>1/2</td> <td>2900</td> <td>1\"/&gt;  <tr> <td>U-49</td> <td>"</td> <td>"</td> <td>V-675</td> <td>122</td> <td>1/2</td> <td>2900</td> <td>1\"/&gt;  <tr> <td>U-50</td> <td>"</td> <td>"</td> <td>V-675</td> <td>122</td> <td>1/2</td> <td>2900</td> <td>1\"/&gt;  </td></tr></td></tr></td></tr></td></tr></td></tr></td></tr></td></tr></td></tr></td></tr></td></tr></td></tr></td></tr></td></tr></td></tr></td></tr></td></tr></td></tr></td></tr></td></tr></td></tr></td></tr></td></tr></td></tr></td></tr></td></tr></td></tr></td></tr></td></tr></td></tr></td></tr></td></tr></td></tr></td></tr></td></tr></td></tr></td></tr></td></tr></td></tr></td></tr></td></tr>  | U-11 | " | " | V-675 | 122 | 1/2 | 2900 | 1\"/> <tr> <td>U-12</td> <td>"</td> <td>"</td> <td>V-675</td> <td>122</td> <td>1/2</td> <td>2900</td> <td>1\"/&gt;  <tr> <td>U-13</td> <td>"</td> <td>"</td> <td>V-675</td> <td>122</td> <td>1/2</td> <td>2900</td> <td>1\"/&gt;  <tr> <td>U-14</td> <td>"</td> <td>"</td> <td>V-675</td> <td>122</td> <td>1/2</td> <td>2900</td> <td>1\"/&gt;  <tr> <td>U-15</td> <td>"</td> <td>"</td> <td>V-675</td> <td>122</td> <td>1/2</td> <td>2900</td> <td>1\"/&gt;  <tr> <td>U-16</td> <td>"</td> <td>"</td> <td>V-675</td> <td>122</td> <td>1/2</td> <td>2900</td> <td>1\"/&gt;  <tr> <td>U-17</td> <td>"</td> <td>"</td> <td>V-675</td> <td>122</td> <td>1/2</td> <td>2900</td> <td>1\"/&gt;  <tr> <td>U-18</td> <td>"</td> <td>"</td> <td>V-675</td> <td>122</td> <td>1/2</td> <td>2900</td> <td>1\"/&gt;  <tr> <td>U-19</td> <td>"</td> <td>"</td> <td>V-675</td> <td>122</td> <td>1/2</td> <td>2900</td> <td>1\"/&gt;  <tr> <td>U-20</td> <td>"</td> <td>"</td> <td>V-675</td> <td>122</td> <td>1/2</td> <td>2900</td> <td>1\"/&gt;  <tr> <td>U-21</td> <td>"</td> <td>"</td> <td>V-675</td> <td>122</td> <td>1/2</td> <td>2900</td> <td>1\"/&gt;  <tr> <td>U-22</td> <td>"</td> <td>"</td> <td>V-675</td> <td>122</td> <td>1/2</td> <td>2900</td> <td>1\"/&gt;  <tr> <td>U-23</td> <td>"</td> <td>"</td> <td>V-675</td> <td>122</td> <td>1/2</td> <td>2900</td> <td>1\"/&gt;  <tr> <td>U-24</td> <td>"</td> <td>"</td> <td>V-675</td> <td>122</td> <td>1/2</td> <td>2900</td> <td>1\"/&gt;  <tr> <td>U-25</td> <td>"</td> <td>"</td> <td>V-675</td> <td>122</td> <td>1/2</td> <td>2900</td> <td>1\"/&gt;  <tr> <td>U-26</td> <td>"</td> <td>"</td> <td>V-675</td> <td>122</td> <td>1/2</td> <td>2900</td> <td>1\"/&gt;  <tr> <td>U-27</td> <td>"</td> <td>"</td> <td>V-675</td> <td>122</td> <td>1/2</td> <td>2900</td> <td>1\"/&gt;  <tr> <td>U-28</td> <td>"</td> <td>"</td> <td>V-675</td> <td>122</td> <td>1/2</td> <td>2900</td> <td>1\"/&gt;  <tr> <td>U-29</td> <td>"</td> <td>"</td> <td>V-675</td> <td>122</td> <td>1/2</td> <td>2900</td> <td>1\"/&gt;  <tr> <td>U-30</td> <td>"</td> <td>"</td> <td>V-675</td> <td>122</td> <td>1/2</td> <td>2900</td> <td>1\"/&gt;  <tr> <td>U-31</td> <td>"</td> <td>"</td> <td>V-675</td> <td>122</td> <td>1/2</td> <td>2900</td> <td>1\"/&gt;  <tr> <td>U-32</td> <td>"</td> <td>"</td> <td>V-675</td> <td>122</td> <td>1/2</td> <td>2900</td> <td>1\"/&gt;  <tr> <td>U-33</td> <td>"</td> <td>"</td> <td>V-675</td> <td>122</td> <td>1/2</td> <td>2900</td> <td>1\"/&gt;  <tr>
<td>U-34</td> <td>"</td> <td>"</td> <td>V-675</td> <td>122</td> <td>1/2</td> <td>2900</td> <td>1\"/&gt;  <tr> <td>U-35</td> <td>"</td> <td>"</td> <td>V-675</td> <td>122</td> <td>1/2</td> <td>2900</td> <td>1\"/&gt;  <tr> <td>U-36</td> <td>"</td> <td>"</td> <td>V-675</td> <td>122</td> <td>1/2</td> <td>2900</td> <td>1\"/&gt;  <tr> <td>U-37</td> <td>"</td> <td>"</td> <td>V-675</td> <td>122</td> <td>1/2</td> <td>2900</td> <td>1\"/&gt;  <tr> <td>U-38</td> <td>"</td> <td>"</td> <td>V-675</td> <td>122</td> <td>1/2</td> <td>2900</td> <td>1\"/&gt;  <tr> <td>U-39</td> <td>"</td> <td>"</td> <td>V-675</td> <td>122</td> <td>1/2</td> <td>2900</td> <td>1\"/&gt;  <tr> <td>U-40</td> <td>"</td> <td>"</td> <td>V-675</td> <td>122</td> <td>1/2</td> <td>2900</td> <td>1\"/&gt;  <tr> <td>U-41</td> <td>"</td> <td>"</td> <td>V-675</td> <td>122</td> <td>1/2</td> <td>2900</td> <td>1\"/&gt;  <tr> <td>U-42</td> <td>"</td> <td>"</td> <td>V-675</td> <td>122</td> <td>1/2</td> <td>2900</td> <td>1\"/&gt;  <tr> <td>U-43</td> <td>"</td> <td>"</td> <td>V-675</td> <td>122</td> <td>1/2</td> <td>2900</td> <td>1\"/&gt;  <tr> <td>U-44</td> <td>"</td> <td>"</td> <td>V-675</td> <td>122</td> <td>1/2</td> <td>2900</td> <td>1\"/&gt;  <tr> <td>U-45</td> <td>"</td> <td>"</td> <td>V-675</td> <td>122</td> <td>1/2</td> <td>2900</td> <td>1\"/&gt;  <tr> <td>U-46</td> <td>"</td> <td>"</td> <td>V-675</td> <td>122</td> <td>1/2</td> <td>2900</td> <td>1\"/&gt;  <tr> <td>U-47</td> <td>"</td> <td>"</td> <td>V-675</td> <td>122</td> <td>1/2</td> <td>2900</td> <td>1\"/&gt;  <tr> <td>U-48</td> <td>"</td> <td>"</td> <td>V-675</td> <td>122</td> <td>1/2</td> <td>2900</td> <td>1\"/&gt;  <tr> <td>U-49</td> <td>"</td> <td>"</td> <td>V-675</td> <td>122</td> <td>1/2</td> <td>2900</td> <td>1\"/&gt;  <tr> <td>U-50</td> <td>"</td> <td>"</td> <td>V-675</td> <td>122</td> <td>1/2</td> <td>2900</td> <td>1\"/&gt;  </td></tr></td></tr></td></tr></td></tr></td></tr></td></tr></td></tr></td></tr></td></tr></td></tr></td></tr></td></tr></td></tr></td></tr></td></tr></td></tr></td></tr></td></tr></td></tr></td></tr></td></tr></td></tr></td></tr></td></tr></td></tr></td></tr></td></tr></td></tr></td></tr></td></tr></td></tr></td></tr></td></tr></td></tr></td></tr></td></tr></td></tr></td></tr></td></tr>   | U-12 | " | " | V-675 | 122 | 1/2 | 2900 | 1\"/> <tr> <td>U-13</td> <td>"</td> <td>"</td> <td>V-675</td> <td>122</td> <td>1/2</td> <td>2900</td> <td>1\"/&gt;  <tr> <td>U-14</td> <td>"</td> <td>"</td> <td>V-675</td> <td>122</td> <td>1/2</td> <td>2900</td> <td>1\"/&gt;  <tr> <td>U-15</td> <td>"</td> <td>"</td> <td>V-675</td> <td>122</td> <td>1/2</td> <td>2900</td> <td>1\"/&gt;  <tr> <td>U-16</td> <td>"</td> <td>"</td> <td>V-675</td> <td>122</td> <td>1/2</td> <td>2900</td> <td>1\"/&gt;  <tr> <td>U-17</td> <td>"</td> <td>"</td> <td>V-675</td> <td>122</td> <td>1/2</td> <td>2900</td> <td>1\"/&gt;  <tr> <td>U-18</td> <td>"</td> <td>"</td> <td>V-675</td> <td>122</td> <td>1/2</td> <td>2900</td> <td>1\"/&gt;  <tr> <td>U-19</td> <td>"</td> <td>"</td> <td>V-675</td> <td>122</td> <td>1/2</td> <td>2900</td> <td>1\"/&gt;  <tr> <td>U-20</td> <td>"</td> <td>"</td> <td>V-675</td> <td>122</td> <td>1/2</td> <td>2900</td> <td>1\"/&gt;  <tr> <td>U-21</td> <td>"</td> <td>"</td> <td>V-675</td> <td>122</td> <td>1/2</td> <td>2900</td> <td>1\"/&gt;  <tr> <td>U-22</td> <td>"</td> <td>"</td> <td>V-675</td> <td>122</td> <td>1/2</td> <td>2900</td> <td>1\"/&gt;  <tr> <td>U-23</td> <td>"</td> <td>"</td> <td>V-675</td> <td>122</td> <td>1/2</td> <td>2900</td> <td>1\"/&gt;  <tr> <td>U-24</td> <td>"</td> <td>"</td> <td>V-675</td> <td>122</td> <td>1/2</td> <td>2900</td> <td>1\"/&gt;  <tr> <td>U-25</td> <td>"</td> <td>"</td> <td>V-675</td> <td>122</td> <td>1/2</td> <td>2900</td> <td>1\"/&gt;  <tr> <td>U-26</td> <td>"</td> <td>"</td> <td>V-675</td> <td>122</td> <td>1/2</td> <td>2900</td> <td>1\"/&gt;  <tr> <td>U-27</td> <td>"</td> <td>"</td> <td>V-675</td> <td>122</td> <td>1/2</td> <td>2900</td> <td>1\"/&gt;  <tr> <td>U-28</td> <td>"</td> <td>"</td> <td>V-675</td> <td>122</td> <td>1/2</td> <td>2900</td> <td>1\"/&gt;  <tr> <td>U-29</td> <td>"</td> <td>"</td> <td>V-675</td> <td>122</td> <td>1/2</td> <td>2900</td> <td>1\"/&gt;  <tr> <td>U-30</td> <td>"</td> <td>"</td> <td>V-675</td> <td>122</td> <td>1/2</td> <td>2900</td> <td>1\"/&gt;  <tr> <td>U-31</td> <td>"</td> <td>"</td> <td>V-675</td> <td>122</td> <td>1/2</td> <td>2900</td> <td>1\"/&gt;  <tr> <td>U-32</td> <td>"</td> <td>"</td> <td>V-675</td> <td>122</td> <td>1/2</td> <td>2900</td> <td>1\"/&gt;  <tr> <td>U-33</td> <td>"</td> <td>"</td> <td>V-675</td> <td>122</td> <td>1/2</td> <td>2900</td> <td>1\"/&gt;  <tr> <td>U-34</td> <td>"</td> <td>"</td> <td>V-675</td> <td>122</td> <td>1/2</td> <td>2900</td> <td>1\"/&gt;  <tr> <td>U-35</td> <td>"</td> <td>"</td> <td>V-675</td> <td>122</td> <td>1/2</td> <td>2900</td> <td>1\"/&gt;  <tr> <td>U-36</td> <td>"</td> <td>"</td> <td>V-675</td> <td>122</td> <td>1/2</td> <td>2900</td> <td>1\"/&gt;  <tr> <td>U-37</td> <td>"</td> <td>"</td> <td>V-675</td> <td>122</td> <td>1/2</td> <td>2900</td> <td>1\"/&gt;  <tr> <td>U-38</td> <td>"</td> <td>"</td> <td>V-675</td> <td>122</td> <td>1/2</td> <td>2900</td> <td>1\"/&gt;  <tr> <td>U-39</td> <td>"</td> <td>"</td> <td>V-675</td> <td>122</td> <td>1/2</td> <td>2900</td> <td>1\"/&gt;  <tr> <td>U-40</td> <td>"</td> <td>"</td> <td>V-675</td> <td>122</td> <td>1/2</td> <td>2900</td> <td>1\"/&gt;  <tr> <td>U-41</td> <td>"</td> <td>"</td> <td>V-675</td> <td>122</td> <td>1/2</td> <td>2900</td> <td>1\"/&gt;  <tr> <td>U-42</td> <td>"</td> <td>"</td> <td>V-675</td> <td>122</td> <td>1/2</td> <td>2900</td> <td>1\"/&gt;  <tr> <td>U-43</td> <td>"</td> <td>"</td> <td>V-675</td> <td>122</td> <td>1/2</td> <td>2900</td> <td>1\"/&gt;  <tr> <td>U-44</td> <td>"</td> <td>"</td> <td>V-675</td> <td>122</td> <td>1/2</td> <td>2900</td> <td>1\"/&gt;  <tr> <td>U-45</td> <td>"</td> <td>"</td> <td>V-675</td> <td>122</td> <td>1/2</td> <td>2900</td> <td>1\"/&gt;  <tr> <td>U-46</td> <td>"</td> <td>"</td> <td>V-675</td> <td>122</td> <td>1/2</td> <td>2900</td> <td>1\"/&gt;  <tr> <td>U-47</td> <td>"</td> <td>"</td> <td>V-675</td> <td>122</td> <td>1/2</td> <td>2900</td> <td>1\"/&gt;  <tr> <td>U-48</td> <td>"</td> <td>"</td> <td>V-675</td> <td>122</td> <td>1/2</td> <td>2900</td> <td>1\"/&gt;  <tr> <td>U-49</td> <td>"</td> <td>"</td> <td>V-675</td> <td>122</td> <td>1/2</td> <td>2900</td> <td>1\"/&gt;  <tr> <td>U-50</td> <td>"</td> <td>"</td> <td>V-675</td> <td>122</td> <td>1/2</td> <td>2900</td> <td>1\"/&gt;  </td></tr></td></tr></td></tr></td></tr></td></tr></td></tr></td></tr></td></tr></td></tr></td></tr></td></tr></td></tr></td></tr></td></tr></td></tr></td></tr></td></tr></td></tr></td></tr></td></tr></td></tr></td></tr></td></tr></td></tr></td></tr></td></tr></td></tr></td></tr></td></tr></td></tr></td></tr></td></tr></td></tr></td></tr></td></tr></td></tr></td></tr></td></tr>  | U-13 | " | " | V-675 | 122 | 1/2 | 2900 | 1\"/> <tr> <td>U-14</td> <td>"</td> <td>"</td> <td>V-675</td> <td>122</td> <td>1/2</td> <td>2900</td> <td>1\"/&gt;  <tr> <td>U-15</td> <td>"</td> <td>"</td> <td>V-675</td> <td>122</td> <td>1/2</td> <td>2900</td> <td>1\"/&gt;  <tr> <td>U-16</td> <td>"</td> <td>"</td> <td>V-675</td> <td>122</td> <td>1/2</td> <td>2900</td> <td>1\"/&gt;  <tr> <td>U-17</td> <td>"</td> <td>"</td> <td>V-675</td> <td>122</td> <td>1/2</td> <td>2900</td> <td>1\"/&gt;  <tr> <td>U-18</td> <td>"</td> <td>"</td> <td>V-675</td> <td>122</td> <td>1/2</td> <td>2900</td> <td>1\"/&gt;  <tr> <td>U-19</td> <td>"</td> <td>"</td> <td>V-675</td> <td>122</td> <td>1/2</td> <td>2900</td> <td>1\"/&gt;  <tr> <td>U-20</td> <td>"</td> <td>"</td> <td>V-675</td> <td>122</td> <td>1/2</td> <td>2900</td> <td>1\"/&gt;  <tr> <td>U-21</td> <td>"</td> <td>"</td> <td>V-675</td> <td>122</td> <td>1/2</td> <td>2900</td> <td>1\"/&gt;  <tr> <td>U-22</td> <td>"</td> <td>"</td> <td>V-675</td> <td>122</td> <td>1/2</td> <td>2900</td> <td>1\"/&gt;  <tr> <td>U-23</td> <td>"</td> <td>"</td> <td>V-675</td> <td>122</td> <td>1/2</td> <td>2900</td> <td>1\"/&gt;  <tr> <td>U-24</td> <td>"</td> <td>"</td> <td>V-675</td> <td>122</td> <td>1/2</td> <td>2900</td> <td>1\"/&gt;  <tr> <td>U-25</td> <td>"</td> <td>"</td> <td>V-675</td> <td>122</td> <td>1/2</td> <td>2900</td> <td>1\"/&gt;  <tr> <td>U-26</td> <td>"</td> <td>"</td> <td>V-675</td> <td>122</td> <td>1/2</td> <td>2900</td> <td>1\"/&gt;  <tr> <td>U-27</td> <td>"</td> <td>"</td> <td>V-675</td> <td>122</td> <td>1/2</td> <td>2900</td> <td>1\"/&gt;  <tr> <td>U-28</td> <td>"</td> <td>"</td> <td>V-675</td> <td>122</td> <td>1/2</td> <td>2900</td> <td>1\"/&gt; 
<tr> <td>U-29</td> <td>"</td> <td>"</td> <td>V-675</td> <td>122</td> <td>1/2</td> <td>2900</td> <td>1\"/&gt;  <tr> <td>U-30</td> <td>"</td> <td>"</td> <td>V-675</td> <td>122</td> <td>1/2</td> <td>2900</td> <td>1\"/&gt;  <tr> <td>U-31</td> <td>"</td> <td>"</td> <td>V-675</td> <td>122</td> <td>1/2</td> <td>2900</td> <td>1\"/&gt;  <tr> <td>U-32</td> <td>"</td> <td>"</td> <td>V-675</td> <td>122</td> <td>1/2</td> <td>2900</td> <td>1\"/&gt;  <tr> <td>U-33</td> <td>"</td> <td>"</td> <td>V-675</td> <td>122</td> <td>1/2</td> <td>2900</td> <td>1\"/&gt;  <tr> <td>U-34</td> <td>"</td> <td>"</td> <td>V-675</td> <td>122</td> <td>1/2</td> <td>2900</td> <td>1\"/&gt;  <tr> <td>U-35</td> <td>"</td> <td>"</td> <td>V-675</td> <td>122</td> <td>1/2</td> <td>2900</td> <td>1\"/&gt;  <tr> <td>U-36</td> <td>"</td> <td>"</td> <td>V-675</td> <td>122</td> <td>1/2</td> <td>2900</td> <td>1\"/&gt;  <tr> <td>U-37</td> <td>"</td> <td>"</td> <td>V-675</td> <td>122</td> <td>1/2</td> <td>2900</td> <td>1\"/&gt;  <tr> <td>U-38</td> <td>"</td> <td>"</td> <td>V-675</td> <td>122</td> <td>1/2</td> <td>2900</td> <td>1\"/&gt;  <tr> <td>U-39</td> <td>"</td> <td>"</td> <td>V-675</td> <td>122</td> <td>1/2</td> <td>2900</td> <td>1\"/&gt;  <tr> <td>U-40</td> <td>"</td> <td>"</td> <td>V-675</td> <td>122</td> <td>1/2</td> <td>2900</td> <td>1\"/&gt;  <tr> <td>U-41</td> <td>"</td> <td>"</td> <td>V-675</td> <td>122</td> <td>1/2</td> <td>2900</td> <td>1\"/&gt;  <tr> <td>U-42</td> <td>"</td> <td>"</td> <td>V-675</td> <td>122</td> <td>1/2</td> <td>2900</td> <td>1\"/&gt;  <tr> <td>U-43</td> <td>"</td> <td>"</td> <td>V-675</td> <td>122</td> <td>1/2</td> <td>2900</td> <td>1\"/&gt;  <tr> <td>U-44</td> <td>"</td> <td>"</td> <td>V-675</td> <td>122</td> <td>1/2</td> <td>2900</td> <td>1\"/&gt;  <tr> <td>U-45</td> <td>"</td> <td>"</td> <td>V-675</td> <td>122</td> <td>1/2</td> <td>2900</td> <td>1\"/&gt;  <tr> <td>U-46</td> <td>"</td> <td>"</td> <td>V-675</td> <td>122</td> <td>1/2</td> <td>2900</td> <td>1\"/&gt;  <tr> <td>U-47</td> <td>"</td> <td>"</td> <td>V-675</td> <td>122</td> <td>1/2</td> <td>2900</td> <td>1\"/&gt;  <tr> <td>U-48</td> <td>"</td> <td>"</td> <td>V-675</td> <td>122</td> <td>1/2</td> <td>2900</td> <td>1\"/&gt;  <tr> <td>U-49</td> <td>"</td> <td>"</td> <td>V-675</td> <td>122</td> <td>1/2</td> <td>2900</td> <td>1\"/&gt;  <tr> <td>U-50</td> <td>"</td> <td>"</td> <td>V-675</td> <td>122</td> <td>1/2</td> <td>2900</td> <td>1\"/&gt;  </td></tr></td></tr></td></tr></td></tr></td></tr></td></tr></td></tr></td></tr></td></tr></td></tr></td></tr></td></tr></td></tr></td></tr></td></tr></td></tr></td></tr></td></tr></td></tr></td></tr></td></tr></td></tr></td></tr></td></tr></td></tr></td></tr></td></tr></td></tr></td></tr></td></tr></td></tr></td></tr></td></tr></td></tr></td></tr></td></tr></td></tr>   | U-14 | " | " | V-675 | 122 | 1/2 | 2900 | 1\"/> <tr> <td>U-15</td> <td>"</td> <td>"</td> <td>V-675</td> <td>122</td> <td>1/2</td> <td>2900</td> <td>1\"/&gt;  <tr> <td>U-16</td> <td>"</td> <td>"</td> <td>V-675</td> <td>122</td> <td>1/2</td> <td>2900</td> <td>1\"/&gt;  <tr> <td>U-17</td> <td>"</td> <td>"</td> <td>V-675</td> <td>122</td> <td>1/2</td> <td>2900</td> <td>1\"/&gt;  <tr> <td>U-18</td> <td>"</td> <td>"</td> <td>V-675</td> <td>122</td> <td>1/2</td> <td>2900</td> <td>1\"/&gt;  <tr> <td>U-19</td> <td>"</td> <td>"</td> <td>V-675</td> <td>122</td> <td>1/2</td> <td>2900</td> <td>1\"/&gt;  <tr> <td>U-20</td> <td>"</td> <td>"</td> <td>V-675</td> <td>122</td> <td>1/2</td> <td>2900</td> <td>1\"/&gt;  <tr> <td>U-21</td> <td>"</td> <td>"</td> <td>V-675</td> <td>122</td> <td>1/2</td> <td>2900</td> <td>1\"/&gt;  <tr> <td>U-22</td> <td>"</td> <td>"</td> <td>V-675</td> <td>122</td> <td>1/2</td> <td>2900</td> <td>1\"/&gt;  <tr> <td>U-23</td> <td>"</td> <td>"</td> <td>V-675</td> <td>122</td> <td>1/2</td> <td>2900</td> <td>1\"/&gt;  <tr> <td>U-24</td> <td>"</td> <td>"</td> <td>V-675</td> <td>122</td> <td>1/2</td> <td>2900</td> <td>1\"/&gt;  <tr> <td>U-25</td> <td>"</td> <td>"</td> <td>V-675</td> <td>122</td> <td>1/2</td> <td>2900</td> <td>1\"/&gt;  <tr> <td>U-26</td> <td>"</td> <td>"</td> <td>V-675</td> <td>122</td> <td>1/2</td> <td>2900</td> <td>1\"/&gt;  <tr> <td>U-27</td> <td>"</td> <td>"</td> <td>V-675</td> <td>122</td> <td>1/2</td> <td>2900</td> <td>1\"/&gt;  <tr> <td>U-28</td> <td>"</td> <td>"</td> <td>V-675</td> <td>122</td> <td>1/2</td> <td>2900</td> <td>1\"/&gt;  <tr> <td>U-29</td> <td>"</td> <td>"</td> <td>V-675</td> <td>122</td> <td>1/2</td> <td>2900</td> <td>1\"/&gt;  <tr> <td>U-30</td> <td>"</td> <td>"</td> <td>V-675</td> <td>122</td> <td>1/2</td> <td>2900</td> <td>1\"/&gt;  <tr> <td>U-31</td> <td>"</td> <td>"</td> <td>V-675</td> <td>122</td> <td>1/2</td> <td>2900</td> <td>1\"/&gt;  <tr> <td>U-32</td> <td>"</td> <td>"</td> <td>V-675</td> <td>122</td> <td>1/2</td> <td>2900</td> <td>1\"/&gt;  <tr> <td>U-33</td> <td>"</td> <td>"</td> <td>V-675</td> <td>122</td> <td>1/2</td> <td>2900</td> <td>1\"/&gt;  <tr> <td>U-34</td> <td>"</td> <td>"</td> <td>V-675</td> <td>122</td> <td>1/2</td> <td>2900</td> <td>1\"/&gt;  <tr> <td>U-35</td> <td>"</td> <td>"</td> <td>V-675</td> <td>122</td> <td>1/2</td> <td>2900</td> <td>1\"/&gt;  <tr> <td>U-36</td> <td>"</td> <td>"</td> <td>V-675</td> <td>122</td> <td>1/2</td> <td>2900</td> <td>1\"/&gt;  <tr> <td>U-37</td> <td>"</td> <td>"</td> <td>V-675</td> <td>122</td> <td>1/2</td> <td>2900</td> <td>1\"/&gt;  <tr> <td>U-38</td> <td>"</td> <td>"</td> <td>V-675</td> <td>122</td> <td>1/2</td> <td>2900</td> <td>1\"/&gt;  <tr> <td>U-39</td> <td>"</td> <td>"</td> <td>V-675</td> <td>122</td> <td>1/2</td> <td>2900</td> <td>1\"/&gt;  <tr> <td>U-40</td> <td>"</td> <td>"</td> <td>V-675</td> <td>122</td> <td>1/2</td> <td>2900</td> <td>1\"/&gt;  <tr> <td>U-41</td> <td>"</td> <td>"</td> <td>V-675</td> <td>122</td> <td>1/2</td> <td>2900</td> <td>1\"/&gt;  <tr> <td>U-42</td> <td>"</td> <td>"</td> <td>V-675</td> <td>122</td> <td>1/2</td> <td>2900</td> <td>1\"/&gt;  <tr> <td>U-43</td> <td>"</td> <td>"</td> <td>V-675</td> <td>122</td> <td>1/2</td> <td>2900</td> <td>1\"/&gt;  <tr> <td>U-44</td> <td>"</td> <td>"</td> <td>V-675</td> <td>122</td> <td>1/2</td> <td>2900</td> <td>1\"/&gt;  <tr> <td>U-45</td> <td>"</td> <td>"</td> <td>V-675</td> <td>122</td> <td>1/2</td> <td>2900</td> <td>1\"/&gt;  <tr> <td>U-46</td> <td>"</td> <td>"</td> <td>V-675</td> <td>122</td> <td>1/2</td> <td>2900</td> <td>1\"/&gt;  <tr> <td>U-47</td> <td>"</td> <td>"</td> <td>V-675</td> <td>122</td> <td>1/2</td> <td>2900</td> <td>1\"/&gt;  <tr> <td>U-48</td> <td>"</td> <td>"</td> <td>V-675</td> <td>122</td> <td>1/2</td> <td>2900</td> <td>1\"/&gt;  <tr> <td>U-49</td> <td>"</td> <td>"</td> <td>V-675</td> <td>122</td> <td>1/2</td> <td>2900</td> <td>1\"/&gt;  <tr> <td>U-50</td> <td>"</td> <td>"</td> <td>V-675</td> <td>122</td> <td>1/2</td> <td>2900</td> <td>1\"/&gt;  </td></tr></td></tr></td></tr></td></tr></td></tr></td></tr></td></tr></td></tr></td></tr></td></tr></td></tr></td></tr></td></tr></td></tr></td></tr></td></tr></td></tr></td></tr></td></tr></td></tr></td></tr></td></tr></td></tr></td></tr></td></tr></td></tr></td></tr></td></tr></td></tr></td></tr></td></tr></td></tr></td></tr></td></tr></td></tr></td></tr>  | U-15 | " | " | V-675 | 122 | 1/2 | 2900 | 1\"/> <tr> <td>U-16</td> <td>"</td> <td>"</td> <td>V-675</td> <td>122</td> <td>1/2</td> <td>2900</td> <td>1\"/&gt;  <tr> <td>U-17</td> <td>"</td> <td>"</td> <td>V-675</td> <td>122</td> <td>1/2</td> <td>2900</td> <td>1\"/&gt;  <tr> <td>U-18</td> <td>"</td> <td>"</td> <td>V-675</td> <td>122</td> <td>1/2</td> <td>2900</td> <td>1\"/&gt;  <tr> <td>U-19</td> <td>"</td> <td>"</td> <td>V-675</td> <td>122</td> <td>1/2</td> <td>2900</td> <td>1\"/&gt;  <tr> <td>U-20</td> <td>"</td> <td>"</td> <td>V-675</td> <td>122</td> <td>1/2</td> <td>2900</td> <td>1\"/&gt;  <tr> <td>U-21</td> <td>"</td> <td>"</td> <td>V-675</td> <td>122</td> <td>1/2</td> <td>2900</td> <td>1\"/&gt;  <tr> <td>U-22</td> <td>"</td> <td>"</td> <td>V-675</td> <td>122</td> <td>1/2</td> <td>2900</td> <td>1\"/&gt;  <tr> <td>U-23</td> <td>"</td> <td>"</td> <td>V-675</td> <td>122</td> <td>1/2</td> <td>2900</td> <td>1\"/&gt;  <tr> <td>U-24</td> <td>"</td> <td>"</td> <td>V-675</td> <td>122</td> <td>1/2</td> <td>2900</td> <td>1\"/&gt;  <tr> <td>U-25</td> <td>"</td> <td>"</td> <td>V-675</td> <td>122</td> <td>1/2</td> <td>2900</td> <td>1\"/&gt;  <tr> <td>U-26</td> <td>"</td> <td>"</td> <td>V-675</td> <td>122</td> <td>1/2</td> <td>2900</td> <td>1\"/&gt;  <tr> <td>U-27</td> <td>"</td> <td>"</td> <td>V-675</td> <td>122</td> <td>1/2</td> <td>2900</td> <td>1\"/&gt;  <tr> <td>U-28</td> <td>"</td>
<td>"</td> <td>V-675</td> <td>122</td> <td>1/2</td> <td>2900</td> <td>1\"/&gt;  <tr> <td>U-29</td> <td>"</td> <td>"</td> <td>V-675</td> <td>122</td> <td>1/2</td> <td>2900</td> <td>1\"/&gt;  <tr> <td>U-30</td> <td>"</td> <td>"</td> <td>V-675</td> <td>122</td> <td>1/2</td> <td>2900</td> <td>1\"/&gt;  <tr> <td>U-31</td> <td>"</td> <td>"</td> <td>V-675</td> <td>122</td> <td>1/2</td> <td>2900</td> <td>1\"/&gt;  <tr> <td>U-32</td> <td>"</td> <td>"</td> <td>V-675</td> <td>122</td> <td>1/2</td> <td>2900</td> <td>1\"/&gt;  <tr> <td>U-33</td> <td>"</td> <td>"</td> <td>V-675</td> <td>122</td> <td>1/2</td> <td>2900</td> <td>1\"/&gt;  <tr> <td>U-34</td> <td>"</td> <td>"</td> <td>V-675</td> <td>122</td> <td>1/2</td> <td>2900</td> <td>1\"/&gt;  <tr> <td>U-35</td> <td>"</td> <td>"</td> <td>V-675</td> <td>122</td> <td>1/2</td> <td>2900</td> <td>1\"/&gt;  <tr> <td>U-36</td> <td>"</td> <td>"</td> <td>V-675</td> <td>122</td> <td>1/2</td> <td>2900</td> <td>1\"/&gt;  <tr> <td>U-37</td> <td>"</td> <td>"</td> <td>V-675</td> <td>122</td> <td>1/2</td> <td>2900</td> <td>1\"/&gt;  <tr> <td>U-38</td> <td>"</td> <td>"</td> <td>V-675</td> <td>122</td> <td>1/2</td> <td>2900</td> <td>1\"/&gt;  <tr> <td>U-39</td> <td>"</td> <td>"</td> <td>V-675</td> <td>122</td> <td>1/2</td> <td>2900</td> <td>1\"/&gt;  <tr> <td>U-40</td> <td>"</td> <td>"</td> <td>V-675</td> <td>122</td> <td>1/2</td> <td>2900</td> <td>1\"/&gt;  <tr> <td>U-41</td> <td>"</td> <td>"</td> <td>V-675</td> <td>122</td> <td>1/2</td> <td>2900</td> <td>1\"/&gt;  <tr> <td>U-42</td> <td>"</td> <td>"</td> <td>V-675</td> <td>122</td> <td>1/2</td> <td>2900</td> <td>1\"/&gt;  <tr> <td>U-43</td> <td>"</td> <td>"</td> <td>V-675</td> <td>122</td> <td>1/2</td> <td>2900</td> <td>1\"/&gt;  <tr> <td>U-44</td> <td>"</td> <td>"</td> <td>V-675</td> <td>122</td> <td>1/2</td> <td>2900</td> <td>1\"/&gt;  <tr> <td>U-45</td> <td>"</td> <td>"</td> <td>V-675</td> <td>122</td> <td>1/2</td> <td>2900</td> <td>1\"/&gt;  <tr> <td>U-46</td> <td>"</td> <td>"</td> <td>V-675</td> <td>122</td> <td>1/2</td> <td>2900</td> <td>1\"/&gt;  <tr> <td>U-47</td> <td>"</td> <td>"</td> <td>V-675</td> <td>122</td> <td>1/2</td> <td>2900</td> <td>1\"/&gt;  <tr> <td>U-48</td> <td>"</td> <td>"</td> <td>V-675</td> <td>122</td> <td>1/2</td> <td>2900</td> <td>1\"/&gt;  <tr> <td>U-49</td> <td>"</td> <td>"</td> <td>V-675</td> <td>122</td> <td>1/2</td> <td>2900</td> <td>1\"/&gt;  <tr> <td>U-50</td> <td>"</td> <td>"</td> <td>V-675</td> <td>122</td> <td>1/2</td> <td>2900</td> <td>1\"/&gt;  </td></tr></td></tr></td></tr></td></tr></td></tr></td></tr></td></tr></td></tr></td></tr></td></tr></td></tr></td></tr></td></tr></td></tr></td></tr></td></tr></td></tr></td></tr></td></tr></td></tr></td></tr></td></tr></td></tr></td></tr></td></tr></td></tr></td></tr></td></tr></td></tr></td></tr></td></tr></td></tr></td></tr></td></tr></td></tr>   | U-16 | " | " | V-675 | 122 | 1/2 | 2900 | 1\"/> <tr> <td>U-17</td> <td>"</td> <td>"</td> <td>V-675</td> <td>122</td> <td>1/2</td> <td>2900</td> <td>1\"/&gt;  <tr> <td>U-18</td> <td>"</td> <td>"</td> <td>V-675</td> <td>122</td> <td>1/2</td> <td>2900</td> <td>1\"/&gt;  <tr> <td>U-19</td> <td>"</td> <td>"</td> <td>V-675</td> <td>122</td> <td>1/2</td> <td>2900</td> <td>1\"/&gt;  <tr> <td>U-20</td> <td>"</td> <td>"</td> <td>V-675</td> <td>122</td> <td>1/2</td> <td>2900</td> <td>1\"/&gt;  <tr> <td>U-21</td> <td>"</td> <td>"</td> <td>V-675</td> <td>122</td> <td>1/2</td> <td>2900</td> <td>1\"/&gt;  <tr> <td>U-22</td> <td>"</td> <td>"</td> <td>V-675</td> <td>122</td> <td>1/2</td> <td>2900</td> <td>1\"/&gt;  <tr> <td>U-23</td> <td>"</td> <td>"</td> <td>V-675</td> <td>122</td> <td>1/2</td> <td>2900</td> <td>1\"/&gt;  <tr> <td>U-24</td> <td>"</td> <td>"</td> <td>V-675</td> <td>122</td> <td>1/2</td> <td>2900</td> <td>1\"/&gt;  <tr> <td>U-25</td> <td>"</td> <td>"</td> <td>V-675</td> <td>122</td> <td>1/2</td> <td>2900</td> <td>1\"/&gt;  <tr> <td>U-26</td> <td>"</td> <td>"</td> <td>V-675</td> <td>122</td> <td>1/2</td> <td>2900</td> <td>1\"/&gt;  <tr> <td>U-27</td> <td>"</td> <td>"</td> <td>V-675</td> <td>122</td> <td>1/2</td> <td>2900</td> <td>1\"/&gt;  <tr> <td>U-28</td> <td>"</td> <td>"</td> <td>V-675</td> <td>122</td> <td>1/2</td> <td>2900</td> <td>1\"/&gt;  <tr> <td>U-29</td> <td>"</td> <td>"</td> <td>V-675</td> <td>122</td> <td>1/2</td> <td>2900</td> <td>1\"/&gt;  <tr> <td>U-30</td> <td>"</td> <td>"</td> <td>V-675</td> <td>122</td> <td>1/2</td> <td>2900</td> <td>1\"/&gt;  <tr> <td>U-31</td> <td>"</td> <td>"</td> <td>V-675</td> <td>122</td> <td>1/2</td> <td>2900</td> <td>1\"/&gt;  <tr> <td>U-32</td> <td>"</td> <td>"</td> <td>V-675</td> <td>122</td> <td>1/2</td> <td>2900</td> <td>1\"/&gt;  <tr> <td>U-33</td> <td>"</td> <td>"</td> <td>V-675</td> <td>122</td> <td>1/2</td> <td>2900</td> <td>1\"/&gt;  <tr> <td>U-34</td> <td>"</td> <td>"</td> <td>V-675</td> <td>122</td> <td>1/2</td> <td>2900</td> <td>1\"/&gt;  <tr> <td>U-35</td> <td>"</td> <td>"</td> <td>V-675</td> <td>122</td> <td>1/2</td> <td>2900</td> <td>1\"/&gt;  <tr> <td>U-36</td> <td>"</td> <td>"</td> <td>V-675</td> <td>122</td> <td>1/2</td> <td>2900</td> <td>1\"/&gt;  <tr> <td>U-37</td> <td>"</td> <td>"</td> <td>V-675</td> <td>122</td> <td>1/2</td> <td>2900</td> <td>1\"/&gt;  <tr> <td>U-38</td> <td>"</td> <td>"</td> <td>V-675</td> <td>122</td> <td>1/2</td> <td>2900</td> <td>1\"/&gt;  <tr> <td>U-39</td> <td>"</td> <td>"</td> <td>V-675</td> <td>122</td> <td>1/2</td> <td>2900</td> <td>1\"/&gt;  <tr> <td>U-40</td> <td>"</td> <td>"</td> <td>V-675</td> <td>122</td> <td>1/2</td> <td>2900</td> <td>1\"/&gt;  <tr> <td>U-41</td> <td>"</td> <td>"</td> <td>V-675</td> <td>122</td> <td>1/2</td> <td>2900</td> <td>1\"/&gt;  <tr> <td>U-42</td> <td>"</td> <td>"</td> <td>V-675</td> <td>122</td> <td>1/2</td> <td>2900</td> <td>1\"/&gt;  <tr> <td>U-43</td> <td>"</td> <td>"</td> <td>V-675</td> <td>122</td> <td>1/2</td> <td>2900</td> <td>1\"/&gt;  <tr> <td>U-44</td> <td>"</td> <td>"</td> <td>V-675</td> <td>122</td> <td>1/2</td> <td>2900</td> <td>1\"/&gt;  <tr> <td>U-45</td> <td>"</td> <td>"</td> <td>V-675</td> <td>122</td> <td>1/2</td> <td>2900</td> <td>1\"/&gt;  <tr> <td>U-46</td> <td>"</td> <td>"</td> <td>V-675</td> <td>122</td> <td>1/2</td> <td>2900</td> <td>1\"/&gt;  <tr> <td>U-47</td> <td>"</td> <td>"</td> <td>V-675</td> <td>122</td> <td>1/2</td> <td>2900</td> <td>1\"/&gt;  <tr> <td>U-48</td> <td>"</td> <td>"</td> <td>V-675</td> <td>122</td> <td>1/2</td> <td>2900</td> <td>1\"/&gt;  <tr> <td>U-49</td> <td>"</td> <td>"</td> <td>V-675</td> <td>122</td> <td>1/2</td> <td>2900</td> <td>1\"/&gt;  <tr> <td>U-50</td> <td>"</td> <td>"</td> <td>V-675</td> <td>122</td> <td>1/2</td> <td>2900</td> <td>1\"/&gt;  </td></tr></td></tr></td></tr></td></tr></td></tr></td></tr></td></tr></td></tr></td></tr></td></tr></td></tr></td></tr></td></tr></td></tr></td></tr></td></tr></td></tr></td></tr></td></tr></td></tr></td></tr></td></tr></td></tr></td></tr></td></tr></td></tr></td></tr></td></tr></td></tr></td></tr></td></tr></td></tr></td></tr></td></tr>   | U-17 | " | " | V-675 | 122 | 1/2 | 2900 | 1\"/> <tr> <td>U-18</td> <td>"</td> <td>"</td> <td>V-675</td> <td>122</td> <td>1/2</td> <td>2900</td> <td>1\"/&gt;  <tr> <td>U-19</td> <td>"</td> <td>"</td> <td>V-675</td> <td>122</td> <td>1/2</td> <td>2900</td> <td>1\"/&gt;  <tr> <td>U-20</td> <td>"</td> <td>"</td> <td>V-675</td> <td>122</td> <td>1/2</td> <td>2900</td> <td>1\"/&gt;  <tr> <td>U-21</td> <td>"</td> <td>"</td> <td>V-675</td> <td>122</td> <td>1/2</td> <td>2900</td> <td>1\"/&gt;  <tr> <td>U-22</td> <td>"</td> <td>"</td> <td>V-675</td> <td>122</td> <td>1/2</td> <td>2900</td> <td>1\"/&gt;  <tr> <td>U-23</td> <td>"</td> <td>"</td> <td>V-675</td> <td>122</td> <td>1/2</td> <td>2900</td> <td>1\"/&gt;  <tr> <td>U-24</td> <td>"</td> <td>"</td> <td>V-675</td> <td>122</td> <td>1/2</td> <td>2900</td> <td>1\"/&gt;  <tr> <td>U-25</td> <td>"</td> <td>"</td> <td>V-675</td> <td>122</td> <td>1/2</td> <td>2900</td> <td>1\"/&gt;  <tr> <td>U-26</td> <td>"</td> <td>"</td> <td>V-675</td> <td>122</td> <td>1/2</td> <td>2900</td> <td>1\"/&gt;  <tr> <td>U-27</td> <td>"</td> <td>"</td> <td>V-675</td> <td>122</td> <td>1/2</td> <td>2900</td> <td>1\"/&gt;  <tr> <td>U-28</td> <td>"</td> <td>"</td> <td>V-675</td> <td>122</td> <td>1/2</td> <td>2900</td> <td>1\"/&gt;  <tr> <td>U-29</td> <td>"</td> <td>"</td> <td>V-675</td> <td>122</td> <td>1/2</td> <td>2900</td> <td>1\"/&gt;  <tr> <td>U-30</td> <td>"</td> <td>"</td> <td>V-675</td> <td>122</td> <td>1/2</td> <td>2900</td> <td>1\"/&gt;  <tr> <td>U-31</td> <td>"</td> <td>"</td> <td>V-675</td> <td>122</td> <td>1/2</td> <td>2900</td>
<td>1\"/&gt;  <tr> <td>U-32</td> <td>"</td> <td>"</td> <td>V-675</td> <td>122</td> <td>1/2</td> <td>2900</td> <td>1\"/&gt;  <tr> <td>U-33</td> <td>"</td> <td>"</td> <td>V-675</td> <td>122</td> <td>1/2</td> <td>2900</td> <td>1\"/&gt;  <tr> <td>U-34</td> <td>"</td> <td>"</td> <td>V-675</td> <td>122</td> <td>1/2</td> <td>2900</td> <td>1\"/&gt;  <tr> <td>U-35</td> <td>"</td> <td>"</td> <td>V-675</td> <td>122</td> <td>1/2</td> <td>2900</td> <td>1\"/&gt;  <tr> <td>U-36</td> <td>"</td> <td>"</td> <td>V-675</td> <td>122</td> <td>1/2</td> <td>2900</td> <td>1\"/&gt;  <tr> <td>U-37</td> <td>"</td> <td>"</td> <td>V-675</td> <td>122</td> <td>1/2</td> <td>2900</td> <td>1\"/&gt;  <tr> <td>U-38</td> <td>"</td> <td>"</td> <td>V-675</td> <td>122</td> <td>1/2</td> <td>2900</td> <td>1\"/&gt;  <tr> <td>U-39</td> <td>"</td> <td>"</td> <td>V-675</td> <td>122</td> <td>1/2</td> <td>2900</td> <td>1\"/&gt;  <tr> <td>U-40</td> <td>"</td> <td>"</td> <td>V-675</td> <td>122</td> <td>1/2</td> <td>2900</td> <td>1\"/&gt;  <tr> <td>U-41</td> <td>"</td> <td>"</td> <td>V-675</td> <td>122</td> <td>1/2</td> <td>2900</td> <td>1\"/&gt;  <tr> <td>U-42</td> <td>"</td> <td>"</td> <td>V-675</td> <td>122</td> <td>1/2</td> <td>2900</td> <td>1\"/&gt;  <tr> <td>U-43</td> <td>"</td> <td>"</td> <td>V-675</td> <td>122</td> <td>1/2</td> <td>2900</td> <td>1\"/&gt;  <tr> <td>U-44</td> <td>"</td> <td>"</td> <td>V-675</td> <td>122</td> <td>1/2</td> <td>2900</td> <td>1\"/&gt;  <tr> <td>U-45</td> <td>"</td> <td>"</td> <td>V-675</td> <td>122</td> <td>1/2</td> <td>2900</td> <td>1\"/&gt;  <tr> <td>U-46</td> <td>"</td> <td>"</td> <td>V-675</td> <td>122</td> <td>1/2</td> <td>2900</td> <td>1\"/&gt;  <tr> <td>U-47</td> <td>"</td> <td>"</td> <td>V-675</td> <td>122</td> <td>1/2</td> <td>2900</td> <td>1\"/&gt;  <tr> <td>U-48</td> <td>"</td> <td>"</td> <td>V-675</td> <td>122</td> <td>1/2</td> <td>2900</td> <td>1\"/&gt;  <tr> <td>U-49</td> <td>"</td> <td>"</td> <td>V-675</td> <td>122</td> <td>1/2</td> <td>2900</td> <td>1\"/&gt;  <tr> <td>U-50</td> <td>"</td> <td>"</td> <td>V-675</td> <td>122</td> <td>1/2</td> <td>2900</td> <td>1\"/&gt;  </td></tr></td></tr></td></tr></td></tr></td></tr></td></tr></td></tr></td></tr></td></tr></td></tr></td></tr></td></tr></td></tr></td></tr></td></tr></td></tr></td></tr></td></tr></td></tr></td></tr></td></tr></td></tr></td></tr></td></tr></td></tr></td></tr></td></tr></td></tr></td></tr></td></tr></td></tr></td></tr></td></tr>   | U-18 | " | " | V-675 | 122 | 1/2 | 2900 | 1\"/> <tr> <td>U-19</td> <td>"</td> <td>"</td> <td>V-675</td> <td>122</td> <td>1/2</td> <td>2900</td> <td>1\"/&gt;  <tr> <td>U-20</td> <td>"</td> <td>"</td> <td>V-675</td> <td>122</td> <td>1/2</td> <td>2900</td> <td>1\"/&gt;  <tr> <td>U-21</td> <td>"</td> <td>"</td> <td>V-675</td> <td>122</td> <td>1/2</td> <td>2900</td> <td>1\"/&gt;  <tr> <td>U-22</td> <td>"</td> <td>"</td> <td>V-675</td> <td>122</td> <td>1/2</td> <td>2900</td> <td>1\"/&gt;  <tr> <td>U-23</td> <td>"</td> <td>"</td> <td>V-675</td> <td>122</td> <td>1/2</td> <td>2900</td> <td>1\"/&gt;  <tr> <td>U-24</td> <td>"</td> <td>"</td> <td>V-675</td> <td>122</td> <td>1/2</td> <td>2900</td> <td>1\"/&gt;  <tr> <td>U-25</td> <td>"</td> <td>"</td> <td>V-675</td> <td>122</td> <td>1/2</td> <td>2900</td> <td>1\"/&gt;  <tr> <td>U-26</td> <td>"</td> <td>"</td> <td>V-675</td> <td>122</td> <td>1/2</td> <td>2900</td> <td>1\"/&gt;  <tr> <td>U-27</td> <td>"</td> <td>"</td> <td>V-675</td> <td>122</td> <td>1/2</td> <td>2900</td> <td>1\"/&gt;  <tr> <td>U-28</td> <td>"</td> <td>"</td> <td>V-675</td> <td>122</td> <td>1/2</td> <td>2900</td> <td>1\"/&gt;  <tr> <td>U-29</td> <td>"</td> <td>"</td> <td>V-675</td> <td>122</td> <td>1/2</td> <td>2900</td> <td>1\"/&gt;  <tr> <td>U-30</td> <td>"</td> <td>"</td> <td>V-675</td> <td>122</td> <td>1/2</td> <td>2900</td> <td>1\"/&gt;  <tr> <td>U-31</td> <td>"</td> <td>"</td> <td>V-675</td> <td>122</td> <td>1/2</td> <td>2900</td> <td>1\"/&gt;  <tr> <td>U-32</td> <td>"</td> <td>"</td> <td>V-675</td> <td>122</td> <td>1/2</td> <td>2900</td> <td>1\"/&gt;  <tr> <td>U-33</td> <td>"</td> <td>"</td> <td>V-675</td> <td>122</td> <td>1/2</td> <td>2900</td> <td>1\"/&gt;  <tr> <td>U-34</td> <td>"</td> <td>"</td> <td>V-675</td> <td>122</td> <td>1/2</td> <td>2900</td> <td>1\"/&gt;  <tr> <td>U-35</td> <td>"</td> <td>"</td> <td>V-675</td> <td>122</td> <td>1/2</td> <td>2900</td> <td>1\"/&gt;  <tr> <td>U-36</td> <td>"</td> <td>"</td> <td>V-675</td> <td>122</td> <td>1/2</td> <td>2900</td> <td>1\"/&gt;  <tr> <td>U-37</td> <td>"</td> <td>"</td> <td>V-675</td> <td>122</td> <td>1/2</td> <td>2900</td> <td>1\"/&gt;  <tr> <td>U-38</td> <td>"</td> <td>"</td> <td>V-675</td> <td>122</td> <td>1/2</td> <td>2900</td> <td>1\"/&gt;  <tr> <td>U-39</td> <td>"</td> <td>"</td> <td>V-675</td> <td>122</td> <td>1/2</td> <td>2900</td> <td>1\"/&gt;  <tr> <td>U-40</td> <td>"</td> <td>"</td> <td>V-675</td> <td>122</td> <td>1/2</td> <td>2900</td> <td>1\"/&gt;  <tr> <td>U-41</td> <td>"</td> <td>"</td> <td>V-675</td> <td>122</td> <td>1/2</td> <td>2900</td> <td>1\"/&gt;  <tr> <td>U-42</td> <td>"</td> <td>"</td> <td>V-675</td> <td>122</td> <td>1/2</td> <td>2900</td> <td>1\"/&gt;  <tr> <td>U-43</td> <td>"</td> <td>"</td> <td>V-675</td> <td>122</td> <td>1/2</td> <td>2900</td> <td>1\"/&gt;  <tr> <td>U-44</td> <td>"</td> <td>"</td> <td>V-675</td> <td>122</td> <td>1/2</td> <td>2900</td> <td>1\"/&gt;  <tr> <td>U-45</td> <td>"</td> <td>"</td> <td>V-675</td> <td>122</td> <td>1/2</td> <td>2900</td> <td>1\"/&gt;  <tr> <td>U-46</td> <td>"</td> <td>"</td> <td>V-675</td> <td>122</td> <td>1/2</td> <td>2900</td> <td>1\"/&gt;  <tr> <td>U-47</td> <td>"</td> <td>"</td> <td>V-675</td> <td>122</td> <td>1/2</td> <td>2900</td> <td>1\"/&gt;  <tr> <td>U-48</td> <td>"</td> <td>"</td> <td>V-675</td> <td>122</td> <td>1/2</td> <td>2900</td> <td>1\"/&gt;  <tr> <td>U-49</td> <td>"</td> <td>"</td> <td>V-675</td> <td>122</td> <td>1/2</td> <td>2900</td> <td>1\"/&gt;  <tr> <td>U-50</td> <td>"</td> <td>"</td> <td>V-675</td> <td>122</td> <td>1/2</td> <td>2900</td> <td>1\"/&gt;  </td></tr></td></tr></td></tr></td></tr></td></tr></td></tr></td></tr></td></tr></td></tr></td></tr></td></tr></td></tr></td></tr></td></tr></td></tr></td></tr></td></tr></td></tr></td></tr></td></tr></td></tr></td></tr></td></tr></td></tr></td></tr></td></tr></td></tr></td></tr></td></tr></td></tr></td></tr></td></tr>   | U-19 | " | " | V-675 | 122 | 1/2 | 2900 | 1\"/> <tr> <td>U-20</td> <td>"</td> <td>"</td> <td>V-675</td> <td>122</td> <td>1/2</td> <td>2900</td> <td>1\"/&gt;  <tr> <td>U-21</td> <td>"</td> <td>"</td> <td>V-675</td> <td>122</td> <td>1/2</td> <td>2900</td> <td>1\"/&gt;  <tr> <td>U-22</td> <td>"</td> <td>"</td> <td>V-675</td> <td>122</td> <td>1/2</td> <td>2900</td> <td>1\"/&gt;  <tr> <td>U-23</td> <td>"</td> <td>"</td> <td>V-675</td> <td>122</td> <td>1/2</td> <td>2900</td> <td>1\"/&gt;  <tr> <td>U-24</td> <td>"</td> <td>"</td> <td>V-675</td> <td>122</td> <td>1/2</td> <td>2900</td> <td>1\"/&gt;  <tr> <td>U-25</td> <td>"</td> <td>"</td> <td>V-675</td> <td>122</td> <td>1/2</td> <td>2900</td> <td>1\"/&gt;  <tr> <td>U-26</td> <td>"</td> <td>"</td> <td>V-675</td> <td>122</td> <td>1/2</td> <td>2900</td> <td>1\"/&gt;  <tr> <td>U-27</td> <td>"</td> <td>"</td> <td>V-675</td> <td>122</td> <td>1/2</td> <td>2900</td> <td>1\"/&gt;  <tr> <td>U-28</td> <td>"</td> <td>"</td> <td>V-675</td> <td>122</td> <td>1/2</td> <td>2900</td> <td>1\"/&gt;  <tr> <td>U-29</td> <td>"</td> <td>"</td> <td>V-675</td> <td>122</td> <td>1/2</td> <td>2900</td> <td>1\"/&gt;  <tr> <td>U-30</td> <td>"</td> <td>"</td> <td>V-675</td> <td>122</td> <td>1/2</td> <td>2900</td> <td>1\"/&gt;  <tr> <td>U-31</td> <td>"</td> <td>"</td> <td>V-675</td> <td>122</td> <td>1/2</td> <td>2900</td> <td>1\"/&gt;  <tr> <td>U-32</td> <td>"</td> <td>"</td> <td>V-675</td> <td>122</td> <td>1/2</td> <td>2900</td> <td>1\"/&gt;  <tr> <td>U-33</td> <td>"</td> <td>"</td> <td>V-675</td> <td>122</td> <td>1/2</td> <td>2900</td> <td>1\"/&gt;  <tr> <td>U-34</td> <td>"</td> <td>"</td> <td>V-675</td> <td>122</td> <td>1/2</td> <td>2900</td> <td>1\"/&gt;  <tr> <td>U-35</td> <td>"</td> <td>"</td> <td>V-675</td> <td>122</td> <td>1/2</td> <td>2900</td> <td>1\"/&gt;  <tr> <td>U-36</td> <td>"</td> <td>"</td> <td>V-675</td> <td>122</td> <td>1/2</td> <td>2900</td> <td>1\"/&gt;  <tr> <td>U-37</td> <td>"</td> <td>"</td> <td>V-675</td> <td>122</td> <td>1/2</td> <td>2900</td> <td>1\"/&gt;  <tr> <td>U-38</td> <td>"</td> <td>"</td> <td>V-675</td> <td>122</td> <td>1/2</td> <td>2900</td> <td>1\"/&gt;  <tr> <td>U-39</td> <td>"</td> <td>"</td> <td>V-675</td> <td>122</td> <td>1/2</td>
<td>2900</td> <td>1\"/&gt;  <tr> <td>U-40</td> <td>"</td> <td>"</td> <td>V-675</td> <td>122</td> <td>1/2</td> <td>2900</td> <td>1\"/&gt;  <tr> <td>U-41</td> <td>"</td> <td>"</td> <td>V-675</td> <td>122</td> <td>1/2</td> <td>2900</td> <td>1\"/&gt;  <tr> <td>U-42</td> <td>"</td> <td>"</td> <td>V-675</td> <td>122</td> <td>1/2</td> <td>2900</td> <td>1\"/&gt;  <tr> <td>U-43</td> <td>"</td> <td>"</td> <td>V-675</td> <td>122</td> <td>1/2</td> <td>2900</td> <td>1\"/&gt;  <tr> <td>U-44</td> <td>"</td> <td>"</td> <td>V-675</td> <td>122</td> <td>1/2</td> <td>2900</td> <td>1\"/&gt;  <tr> <td>U-45</td> <td>"</td> <td>"</td> <td>V-675</td> <td>122</td> <td>1/2</td> <td>2900</td> <td>1\"/&gt;  <tr> <td>U-46</td> <td>"</td> <td>"</td> <td>V-675</td> <td>122</td> <td>1/2</td> <td>2900</td> <td>1\"/&gt;  <tr> <td>U-47</td> <td>"</td> <td>"</td> <td>V-675</td> <td>122</td> <td>1/2</td> <td>2900</td> <td>1\"/&gt;  <tr> <td>U-48</td> <td>"</td> <td>"</td> <td>V-675</td> <td>122</td> <td>1/2</td> <td>2900</td> <td>1\"/&gt;  <tr> <td>U-49</td> <td>"</td> <td>"</td> <td>V-675</td> <td>122</td> <td>1/2</td> <td>2900</td> <td>1\"/&gt;  <tr> <td>U-50</td> <td>"</td> <td>"</td> <td>V-675</td> <td>122</td> <td>1/2</td> <td>2900</td> <td>1\"/&gt;  </td></tr></td></tr></td></tr></td></tr></td></tr></td></tr></td></tr></td></tr></td></tr></td></tr></td></tr></td></tr></td></tr></td></tr></td></tr></td></tr></td></tr></td></tr></td></tr></td></tr></td></tr></td></tr></td></tr></td></tr></td></tr></td></tr></td></tr></td></tr></td></tr></td></tr></td></tr>   | U-20 | " | " | V-675 | 122 | 1/2 | 2900 | 1\"/> <tr> <td>U-21</td> <td>"</td> <td>"</td> <td>V-675</td> <td>122</td> <td>1/2</td> <td>2900</td> <td>1\"/&gt;  <tr> <td>U-22</td> <td>"</td> <td>"</td> <td>V-675</td> <td>122</td> <td>1/2</td> <td>2900</td> <td>1\"/&gt;  <tr> <td>U-23</td> <td>"</td> <td>"</td> <td>V-675</td> <td>122</td> <td>1/2</td> <td>2900</td> <td>1\"/&gt;  <tr> <td>U-24</td> <td>"</td> <td>"</td> <td>V-675</td> <td>122</td> <td>1/2</td> <td>2900</td> <td>1\"/&gt;  <tr> <td>U-25</td> <td>"</td> <td>"</td> <td>V-675</td> <td>122</td> <td>1/2</td> <td>2900</td> <td>1\"/&gt;  <tr> <td>U-26</td> <td>"</td> <td>"</td> <td>V-675</td> <td>122</td> <td>1/2</td> <td>2900</td> <td>1\"/&gt;  <tr> <td>U-27</td> <td>"</td> <td>"</td> <td>V-675</td> <td>122</td> <td>1/2</td> <td>2900</td> <td>1\"/&gt;  <tr> <td>U-28</td> <td>"</td> <td>"</td> <td>V-675</td> <td>122</td> <td>1/2</td> <td>2900</td> <td>1\"/&gt;  <tr> <td>U-29</td> <td>"</td> <td>"</td> <td>V-675</td> <td>122</td> <td>1/2</td> <td>2900</td> <td>1\"/&gt;  <tr> <td>U-30</td> <td>"</td> <td>"</td> <td>V-675</td> <td>122</td> <td>1/2</td> <td>2900</td> <td>1\"/&gt;  <tr> <td>U-31</td> <td>"</td> <td>"</td> <td>V-675</td> <td>122</td> <td>1/2</td> <td>2900</td> <td>1\"/&gt;  <tr> <td>U-32</td> <td>"</td> <td>"</td> <td>V-675</td> <td>122</td> <td>1/2</td> <td>2900</td> <td>1\"/&gt;  <tr> <td>U-33</td> <td>"</td> <td>"</td> <td>V-675</td> <td>122</td> <td>1/2</td> <td>2900</td> <td>1\"/&gt;  <tr> <td>U-34</td> <td>"</td> <td>"</td> <td>V-675</td> <td>122</td> <td>1/2</td> <td>2900</td> <td>1\"/&gt;  <tr> <td>U-35</td> <td>"</td> <td>"</td> <td>V-675</td> <td>122</td> <td>1/2</td> <td>2900</td> <td>1\"/&gt;  <tr> <td>U-36</td> <td>"</td> <td>"</td> <td>V-675</td> <td>122</td> <td>1/2</td> <td>2900</td> <td>1\"/&gt;  <tr> <td>U-37</td> <td>"</td> <td>"</td> <td>V-675</td> <td>122</td> <td>1/2</td> <td>2900</td> <td>1\"/&gt;  <tr> <td>U-38</td> <td>"</td> <td>"</td> <td>V-675</td> <td>122</td> <td>1/2</td> <td>2900</td> <td>1\"/&gt;  <tr> <td>U-39</td> <td>"</td> <td>"</td> <td>V-675</td> <td>122</td> <td>1/2</td> <td>2900</td> <td>1\"/&gt;  <tr> <td>U-40</td> <td>"</td> <td>"</td> <td>V-675</td> <td>122</td> <td>1/2</td> <td>2900</td> <td>1\"/&gt;  <tr> <td>U-41</td> <td>"</td> <td>"</td> <td>V-675</td> <td>122</td> <td>1/2</td> <td>2900</td> <td>1\"/&gt;  <tr> <td>U-42</td> <td>"</td> <td>"</td> <td>V-675</td> <td>122</td> <td>1/2</td> <td>2900</td> <td>1\"/&gt;  <tr> <td>U-43</td> <td>"</td> <td>"</td> <td>V-675</td> <td>122</td> <td>1/2</td> <td>2900</td> <td>1\"/&gt;  <tr> <td>U-44</td> <td>"</td> <td>"</td> <td>V-675</td> <td>122</td> <td>1/2</td> <td>2900</td> <td>1\"/&gt;  <tr> <td>U-45</td> <td>"</td> <td>"</td> <td>V-675</td> <td>122</td> <td>1/2</td> <td>2900</td> <td>1\"/&gt;  <tr> <td>U-46</td> <td>"</td> <td>"</td> <td>V-675</td> <td>122</td> <td>1/2</td> <td>2900</td> <td>1\"/&gt;  <tr> <td>U-47</td> <td>"</td> <td>"</td> <td>V-675</td> <td>122</td> <td>1/2</td> <td>2900</td> <td>1\"/&gt;  <tr> <td>U-48</td> <td>"</td> <td>"</td> <td>V-675</td> <td>122</td> <td>1/2</td> <td>2900</td> <td>1\"/&gt;  <tr> <td>U-49</td> <td>"</td> <td>"</td> <td>V-675</td> <td>122</td> <td>1/2</td> <td>2900</td> <td>1\"/&gt;  <tr> <td>U-50</td> <td>"</td> <td>"</td> <td>V-675</td> <td>122</td> <td>1/2</td> <td>2900</td> <td>1\"/&gt;  </td></tr></td></tr></td></tr></td></tr></td></tr></td></tr></td></tr></td></tr></td></tr></td></tr></td></tr></td></tr></td></tr></td></tr></td></tr></td></tr></td></tr></td></tr></td></tr></td></tr></td></tr></td></tr></td></tr></td></tr></td></tr></td></tr></td></tr></td></tr></td></tr></td></tr>   | U-21 | " | " | V-675 | 122 | 1/2 | 2900 | 1\"/> <tr> <td>U-22</td> <td>"</td> <td>"</td> <td>V-675</td> <td>122</td> <td>1/2</td> <td>2900</td> <td>1\"/&gt;  <tr> <td>U-23</td> <td>"</td> <td>"</td> <td>V-675</td> <td>122</td> <td>1/2</td> <td>2900</td> <td>1\"/&gt;  <tr> <td>U-24</td> <td>"</td> <td>"</td> <td>V-675</td> <td>122</td> <td>1/2</td> <td>2900</td> <td>1\"/&gt;  <tr> <td>U-25</td> <td>"</td> <td>"</td> <td>V-675</td> <td>122</td> <td>1/2</td> <td>2900</td> <td>1\"/&gt;  <tr> <td>U-26</td> <td>"</td> <td>"</td> <td>V-675</td> <td>122</td> <td>1/2</td> <td>2900</td> <td>1\"/&gt;  <tr> <td>U-27</td> <td>"</td> <td>"</td> <td>V-675</td> <td>122</td> <td>1/2</td> <td>2900</td> <td>1\"/&gt;  <tr> <td>U-28</td> <td>"</td> <td>"</td> <td>V-675</td> <td>122</td> <td>1/2</td> <td>2900</td> <td>1\"/&gt;  <tr> <td>U-29</td> <td>"</td> <td>"</td> <td>V-675</td> <td>122</td> <td>1/2</td> <td>2900</td> <td>1\"/&gt;  <tr> <td>U-30</td> <td>"</td> <td>"</td> <td>V-675</td> <td>122</td> <td>1/2</td> <td>2900</td> <td>1\"/&gt;  <tr> <td>U-31</td> <td>"</td> <td>"</td> <td>V-675</td> <td>122</td> <td>1/2</td> <td>2900</td> <td>1\"/&gt;  <tr> <td>U-32</td> <td>"</td> <td>"</td> <td>V-675</td> <td>122</td> <td>1/2</td> <td>2900</td> <td>1\"/&gt;  <tr> <td>U-33</td> <td>"</td> <td>"</td> <td>V-675</td> <td>122</td> <td>1/2</td> <td>2900</td> <td>1\"/&gt;  <tr> <td>U-34</td> <td>"</td> <td>"</td> <td>V-675</td> <td>122</td> <td>1/2</td> <td>2900</td> <td>1\"/&gt;  <tr> <td>U-35</td> <td>"</td> <td>"</td> <td>V-675</td> <td>122</td> <td>1/2</td> <td>2900</td> <td>1\"/&gt;  <tr> <td>U-36</td> <td>"</td> <td>"</td> <td>V-675</td> <td>122</td> <td>1/2</td> <td>2900</td> <td>1\"/&gt;  <tr> <td>U-37</td> <td>"</td> <td>"</td> <td>V-675</td> <td>122</td> <td>1/2</td> <td>2900</td> <td>1\"/&gt;  <tr> <td>U-38</td> <td>"</td> <td>"</td> <td>V-675</td> <td>122</td> <td>1/2</td> <td>2900</td> <td>1\"/&gt;  <tr> <td>U-39</td> <td>"</td> <td>"</td> <td>V-675</td> <td>122</td> <td>1/2</td> <td>2900</td> <td>1\"/&gt;  <tr> <td>U-40</td> <td>"</td> <td>"</td> <td>V-675</td> <td>122</td> <td>1/2</td> <td>2900</td> <td>1\"/&gt;  <tr> <td>U-41</td> <td>"</td> <td>"</td> <td>V-675</td> <td>122</td> <td>1/2</td> <td>2900</td> <td>1\"/&gt;  <tr> <td>U-42</td> <td>"</td> <td>"</td> <td>V-675</td> <td>122</td> <td>1/2</td> <td>2900</td> <td>1\"/&gt;  <tr> <td>U-43</td> <td>"</td> <td>"</td> <td>V-675</td> <td>122</td> <td>1/2</td> <td>2900</td> <td>1\"/&gt;  <tr> <td>U-44</td> <td>"</td> <td>"</td> <td>V-675</td> <td>122</td> <td>1/2</td> <td>2900</td> <td>1\"/&gt;  <tr> <td>U-45</td> <td>"</td> <td>"</td> <td>V-675</td> <td>122</td> <td>1/2</td> <td>2900</td> <td>1\"/&gt;  <tr> <td>U-46</td> <td>"</td> <td>"</td> <td>V-675</td> <td>122</td> <td>1/2</td> <td>2900</td> <td>1\"/&gt;  <tr> <td>U-47</td> <td>"</td> <td>"</td> <td>V-675</td> <td>122</td> <td>1/2</td> <td>2900</td> <td>1\"/&gt;  <tr> <td>U-48</td> <td>"</td> <td>"</td> <td>V-675</td> <td>122</td> <td>1/2</td> <td>2900</td> <td>1\"/&gt;  <tr> <td>U-49</td> <td>"</td> <td>"</td> <td>V-675</td> <td>122</td> <td>1/2</td> <td>2900</td> <td>1\"/&gt;  <tr> <td>U-50</td> <td>"</td> <td>"</td> <td>V-675</td> <td>122</td> <td>1/2</td> <td>2900</td> <td>1\"/&gt; 
</td></tr></td></tr></td></tr></td></tr></td></tr></td></tr></td></tr></td></tr></td></tr></td></tr></td></tr></td></tr></td></tr></td></tr></td></tr></td></tr></td></tr></td></tr></td></tr></td></tr></td></tr></td></tr></td></tr></td></tr></td></tr></td></tr></td></tr></td></tr></td></tr>   | U-22 | " | " | V-675 | 122 | 1/2 | 2900 | 1\"/> <tr> <td>U-23</td> <td>"</td> <td>"</td> <td>V-675</td> <td>122</td> <td>1/2</td> <td>2900</td> <td>1\"/&gt;  <tr> <td>U-24</td> <td>"</td> <td>"</td> <td>V-675</td> <td>122</td> <td>1/2</td> <td>2900</td> <td>1\"/&gt;  <tr> <td>U-25</td> <td>"</td> <td>"</td> <td>V-675</td> <td>122</td> <td>1/2</td> <td>2900</td> <td>1\"/&gt;  <tr> <td>U-26</td> <td>"</td> <td>"</td> <td>V-675</td> <td>122</td> <td>1/2</td> <td>2900</td> <td>1\"/&gt;  <tr> <td>U-27</td> <td>"</td> <td>"</td> <td>V-675</td> <td>122</td> <td>1/2</td> <td>2900</td> <td>1\"/&gt;  <tr> <td>U-28</td> <td>"</td> <td>"</td> <td>V-675</td> <td>122</td> <td>1/2</td> <td>2900</td> <td>1\"/&gt;  <tr> <td>U-29</td> <td>"</td> <td>"</td> <td>V-675</td> <td>122</td> <td>1/2</td> <td>2900</td> <td>1\"/&gt;  <tr> <td>U-30</td> <td>"</td> <td>"</td> <td>V-675</td> <td>122</td> <td>1/2</td> <td>2900</td> <td>1\"/&gt;  <tr> <td>U-31</td> <td>"</td> <td>"</td> <td>V-675</td> <td>122</td> <td>1/2</td> <td>2900</td> <td>1\"/&gt;  <tr> <td>U-32</td> <td>"</td> <td>"</td> <td>V-675</td> <td>122</td> <td>1/2</td> <td>2900</td> <td>1\"/&gt;  <tr> <td>U-33</td> <td>"</td> <td>"</td> <td>V-675</td> <td>122</td> <td>1/2</td> <td>2900</td> <td>1\"/&gt;  <tr> <td>U-34</td> <td>"</td> <td>"</td> <td>V-675</td> <td>122</td> <td>1/2</td> <td>2900</td> <td>1\"/&gt;  <tr> <td>U-35</td> <td>"</td> <td>"</td> <td>V-675</td> <td>122</td> <td>1/2</td> <td>2900</td> <td>1\"/&gt;  <tr> <td>U-36</td> <td>"</td> <td>"</td> <td>V-675</td> <td>122</td> <td>1/2</td> <td>2900</td> <td>1\"/&gt;  <tr> <td>U-37</td> <td>"</td> <td>"</td> <td>V-675</td> <td>122</td> <td>1/2</td> <td>2900</td> <td>1\"/&gt;  <tr> <td>U-38</td> <td>"</td> <td>"</td> <td>V-675</td> <td>122</td> <td>1/2</td> <td>2900</td> <td>1\"/&gt;  <tr> <td>U-39</td> <td>"</td> <td>"</td> <td>V-675</td> <td>122</td> <td>1/2</td> <td>2900</td> <td>1\"/&gt;  <tr> <td>U-40</td> <td>"</td> <td>"</td> <td>V-675</td> <td>122</td> <td>1/2</td> <td>2900</td> <td>1\"/&gt;  <tr> <td>U-41</td> <td>"</td> <td>"</td> <td>V-675</td> <td>122</td> <td>1/2</td> <td>2900</td> <td>1\"/&gt;  <tr> <td>U-42</td> <td>"</td> <td>"</td> <td>V-675</td> <td>122</td> <td>1/2</td> <td>2900</td> <td>1\"/&gt;  <tr> <td>U-43</td> <td>"</td> <td>"</td> <td>V-675</td> <td>122</td> <td>1/2</td> <td>2900</td> <td>1\"/&gt;  <tr> <td>U-44</td> <td>"</td> <td>"</td> <td>V-675</td> <td>122</td> <td>1/2</td> <td>2900</td> <td>1\"/&gt;  <tr> <td>U-45</td> <td>"</td> <td>"</td> <td>V-675</td> <td>122</td> <td>1/2</td> <td>2900</td> <td>1\"/&gt;  <tr> <td>U-46</td> <td>"</td> <td>"</td> <td>V-675</td> <td>122</td> <td>1/2</td> <td>2900</td> <td>1\"/&gt;  <tr> <td>U-47</td> <td>"</td> <td>"</td> <td>V-675</td> <td>122</td> <td>1/2</td> <td>2900</td> <td>1\"/&gt;  <tr> <td>U-48</td> <td>"</td> <td>"</td> <td>V-675</td> <td>122</td> <td>1/2</td> <td>2900</td> <td>1\"/&gt;  <tr> <td>U-49</td> <td>"</td> <td>"</td> <td>V-675</td> <td>122</td> <td>1/2</td> <td>2900</td> <td>1\"/&gt;  <tr> <td>U-50</td> <td>"</td> <td>"</td> <td>V-675</td> <td>122</td> <td>1/2</td> <td>2900</td> <td>1\"/&gt;  </td></tr></td></tr></td></tr></td></tr></td></tr></td></tr></td></tr></td></tr></td></tr></td></tr></td></tr></td></tr></td></tr></td></tr></td></tr></td></tr></td></tr></td></tr></td></tr></td></tr></td></tr></td></tr></td></tr></td></tr></td></tr></td></tr></td></tr></td></tr>   | U-23 | " | " | V-675 | 122 | 1/2 | 2900 | 1\"/> <tr> <td>U-24</td> <td>"</td> <td>"</td> <td>V-675</td> <td>122</td> <td>1/2</td> <td>2900</td> <td>1\"/&gt;  <tr> <td>U-25</td> <td>"</td> <td>"</td> <td>V-675</td> <td>122</td> <td>1/2</td> <td>2900</td> <td>1\"/&gt;  <tr> <td>U-26</td> <td>"</td> <td>"</td> <td>V-675</td> <td>122</td> <td>1/2</td> <td>2900</td> <td>1\"/&gt;  <tr> <td>U-27</td> <td>"</td> <td>"</td> <td>V-675</td> <td>122</td> <td>1/2</td> <td>2900</td> <td>1\"/&gt;  <tr> <td>U-28</td> <td>"</td> <td>"</td> <td>V-675</td> <td>122</td> <td>1/2</td> <td>2900</td> <td>1\"/&gt;  <tr> <td>U-29</td> <td>"</td> <td>"</td> <td>V-675</td> <td>122</td> <td>1/2</td> <td>2900</td> <td>1\"/&gt;  <tr> <td>U-30</td> <td>"</td> <td>"</td> <td>V-675</td> <td>122</td> <td>1/2</td> <td>2900</td> <td>1\"/&gt;  <tr> <td>U-31</td> <td>"</td> <td>"</td> <td>V-675</td> <td>122</td> <td>1/2</td> <td>2900</td> <td>1\"/&gt;  <tr> <td>U-32</td> <td>"</td> <td>"</td> <td>V-675</td> <td>122</td> <td>1/2</td> <td>2900</td> <td>1\"/&gt;  <tr> <td>U-33</td> <td>"</td> <td>"</td> <td>V-675</td> <td>122</td> <td>1/2</td> <td>2900</td> <td>1\"/&gt;  <tr> <td>U-34</td> <td>"</td> <td>"</td> <td>V-675</td> <td>122</td> <td>1/2</td> <td>2900</td> <td>1\"/&gt;  <tr> <td>U-35</td> <td>"</td> <td>"</td> <td>V-675</td> <td>122</td> <td>1/2</td> <td>2900</td> <td>1\"/&gt;  <tr> <td>U-36</td> <td>"</td> <td>"</td> <td>V-675</td> <td>122</td> <td>1/2</td> <td>2900</td> <td>1\"/&gt;  <tr> <td>U-37</td> <td>"</td> <td>"</td> <td>V-675</td> <td>122</td> <td>1/2</td> <td>2900</td> <td>1\"/&gt;  <tr> <td>U-38</td> <td>"</td> <td>"</td> <td>V-675</td> <td>122</td> <td>1/2</td> <td>2900</td> <td>1\"/&gt;  <tr> <td>U-39</td> <td>"</td> <td>"</td> <td>V-675</td> <td>122</td> <td>1/2</td> <td>2900</td> <td>1\"/&gt;  <tr> <td>U-40</td> <td>"</td> <td>"</td> <td>V-675</td> <td>122</td> <td>1/2</td> <td>2900</td> <td>1\"/&gt;  <tr> <td>U-41</td> <td>"</td> <td>"</td> <td>V-675</td> <td>122</td> <td>1/2</td> <td>2900</td> <td>1\"/&gt;  <tr> <td>U-42</td> <td>"</td> <td>"</td> <td>V-675</td> <td>122</td> <td>1/2</td> <td>2900</td> <td>1\"/&gt;  <tr> <td>U-43</td> <td>"</td> <td>"</td> <td>V-675</td> <td>122</td> <td>1/2</td> <td>2900</td> <td>1\"/&gt;  <tr> <td>U-44</td> <td>"</td> <td>"</td> <td>V-675</td> <td>122</td> <td>1/2</td> <td>2900</td> <td>1\"/&gt;  <tr> <td>U-45</td> <td>"</td> <td>"</td> <td>V-675</td> <td>122</td> <td>1/2</td> <td>2900</td> <td>1\"/&gt;  <tr> <td>U-46</td> <td>"</td> <td>"</td> <td>V-675</td> <td>122</td> <td>1/2</td> <td>2900</td> <td>1\"/&gt;  <tr> <td>U-47</td> <td>"</td> <td>"</td> <td>V-675</td> <td>122</td> <td>1/2</td> <td>2900</td> <td>1\"/&gt;  <tr> <td>U-48</td> <td>"</td> <td>"</td> <td>V-675</td> <td>122</td> <td>1/2</td> <td>2900</td> <td>1\"/&gt;  <tr> <td>U-49</td> <td>"</td> <td>"</td> <td>V-675</td> <td>122</td> <td>1/2</td> <td>2900</td> <td>1\"/&gt;  <tr> <td>U-50</td> <td>"</td> <td>"</td> <td>V-675</td> <td>122</td> <td>1/2</td> <td>2900</td> <td>1\"/&gt;  </td></tr></td></tr></td></tr></td></tr></td></tr></td></tr></td></tr></td></tr></td></tr></td></tr></td></tr></td></tr></td></tr></td></tr></td></tr></td></tr></td></tr></td></tr></td></tr></td></tr></td></tr></td></tr></td></tr></td></tr></td></tr></td></tr></td></tr>   | U-24 | " | " | V-675 | 122 | 1/2 | 2900 | 1\"/> <tr> <td>U-25</td> <td>"</td> <td>"</td> <td>V-675</td> <td>122</td> <td>1/2</td> <td>2900</td> <td>1\"/&gt;  <tr> <td>U-26</td> <td>"</td> <td>"</td> <td>V-675</td> <td>122</td> <td>1/2</td> <td>2900</td> <td>1\"/&gt;  <tr> <td>U-27</td> <td>"</td> <td>"</td> <td>V-675</td> <td>122</td> <td>1/2</td> <td>2900</td> <td>1\"/&gt;  <tr> <td>U-28</td> <td>"</td> <td>"</td> <td>V-675</td> <td>122</td> <td>1/2</td> <td>2900</td> <td>1\"/&gt;  <tr> <td>U-29</td> <td>"</td> <td>"</td> <td>V-675</td> <td>122</td> <td>1/2</td> <td>2900</td> <td>1\"/&gt;  <tr> <td>U-30</td> <td>"</td> <td>"</td> <td>V-675</td> <td>122</td> <td>1/2</td> <td>2900</td> <td>1\"/&gt;  <tr> <td>U-31</td> <td>"</td> <td>"</td> <td>V-675</td> <td>122</td> <td>1/2</td> <td>2900</td> <td>1\"/&gt;  <tr> <td>U-32</td>
<td>"</td> <td>"</td> <td>V-675</td> <td>122</td> <td>1/2</td> <td>2900</td> <td>1\"/&gt;  <tr> <td>U-33</td> <td>"</td> <td>"</td> <td>V-675</td> <td>122</td> <td>1/2</td> <td>2900</td> <td>1\"/&gt;  <tr> <td>U-34</td> <td>"</td> <td>"</td> <td>V-675</td> <td>122</td> <td>1/2</td> <td>2900</td> <td>1\"/&gt;  <tr> <td>U-35</td> <td>"</td> <td>"</td> <td>V-675</td> <td>122</td> <td>1/2</td> <td>2900</td> <td>1\"/&gt;  <tr> <td>U-36</td> <td>"</td> <td>"</td> <td>V-675</td> <td>122</td> <td>1/2</td> <td>2900</td> <td>1\"/&gt;  <tr> <td>U-37</td> <td>"</td> <td>"</td> <td>V-675</td> <td>122</td> <td>1/2</td> <td>2900</td> <td>1\"/&gt;  <tr> <td>U-38</td> <td>"</td> <td>"</td> <td>V-675</td> <td>122</td> <td>1/2</td> <td>2900</td> <td>1\"/&gt;  <tr> <td>U-39</td> <td>"</td> <td>"</td> <td>V-675</td> <td>122</td> <td>1/2</td> <td>2900</td> <td>1\"/&gt;  <tr> <td>U-40</td> <td>"</td> <td>"</td> <td>V-675</td> <td>122</td> <td>1/2</td> <td>2900</td> <td>1\"/&gt;  <tr> <td>U-41</td> <td>"</td> <td>"</td> <td>V-675</td> <td>122</td> <td>1/2</td> <td>2900</td> <td>1\"/&gt;  <tr> <td>U-42</td> <td>"</td> <td>"</td> <td>V-675</td> <td>122</td> <td>1/2</td> <td>2900</td> <td>1\"/&gt;  <tr> <td>U-43</td> <td>"</td> <td>"</td> <td>V-675</td> <td>122</td> <td>1/2</td> <td>2900</td> <td>1\"/&gt;  <tr> <td>U-44</td> <td>"</td> <td>"</td> <td>V-675</td> <td>122</td> <td>1/2</td> <td>2900</td> <td>1\"/&gt;  <tr> <td>U-45</td> <td>"</td> <td>"</td> <td>V-675</td> <td>122</td> <td>1/2</td> <td>2900</td> <td>1\"/&gt;  <tr> <td>U-46</td> <td>"</td> <td>"</td> <td>V-675</td> <td>122</td> <td>1/2</td> <td>2900</td> <td>1\"/&gt;  <tr> <td>U-47</td> <td>"</td> <td>"</td> <td>V-675</td> <td>122</td> <td>1/2</td> <td>2900</td> <td>1\"/&gt;  <tr> <td>U-48</td> <td>"</td> <td>"</td> <td>V-675</td> <td>122</td> <td>1/2</td> <td>2900</td> <td>1\"/&gt;  <tr> <td>U-49</td> <td>"</td> <td>"</td> <td>V-675</td> <td>122</td> <td>1/2</td> <td>2900</td> <td>1\"/&gt;  <tr> <td>U-50</td> <td>"</td> <td>"</td> <td>V-675</td> <td>122</td> <td>1/2</td> <td>2900</td> <td>1\"/&gt;  </td></tr></td></tr></td></tr></td></tr></td></tr></td></tr></td></tr></td></tr></td></tr></td></tr></td></tr></td></tr></td></tr></td></tr></td></tr></td></tr></td></tr></td></tr></td></tr></td></tr></td></tr></td></tr></td></tr></td></tr></td></tr></td></tr>   | U-25 | " | " | V-675 | 122 | 1/2 | 2900 | 1\"/> <tr> <td>U-26</td> <td>"</td> <td>"</td> <td>V-675</td> <td>122</td> <td>1/2</td> <td>2900</td> <td>1\"/&gt;  <tr> <td>U-27</td> <td>"</td> <td>"</td> <td>V-675</td> <td>122</td> <td>1/2</td> <td>2900</td> <td>1\"/&gt;  <tr> <td>U-28</td> <td>"</td> <td>"</td> <td>V-675</td> <td>122</td> <td>1/2</td> <td>2900</td> <td>1\"/&gt;  <tr> <td>U-29</td> <td>"</td> <td>"</td> <td>V-675</td> <td>122</td> <td>1/2</td> <td>2900</td> <td>1\"/&gt;  <tr> <td>U-30</td> <td>"</td> <td>"</td> <td>V-675</td> <td>122</td> <td>1/2</td> <td>2900</td> <td>1\"/&gt;  <tr> <td>U-31</td> <td>"</td> <td>"</td> <td>V-675</td> <td>122</td> <td>1/2</td> <td>2900</td> <td>1\"/&gt;  <tr> <td>U-32</td> <td>"</td> <td>"</td> <td>V-675</td> <td>122</td> <td>1/2</td> <td>2900</td> <td>1\"/&gt;  <tr> <td>U-33</td> <td>"</td> <td>"</td> <td>V-675</td> <td>122</td> <td>1/2</td> <td>2900</td> <td>1\"/&gt;  <tr> <td>U-34</td> <td>"</td> <td>"</td> <td>V-675</td> <td>122</td> <td>1/2</td> <td>2900</td> <td>1\"/&gt;  <tr> <td>U-35</td> <td>"</td> <td>"</td> <td>V-675</td> <td>122</td> <td>1/2</td> <td>2900</td> <td>1\"/&gt;  <tr> <td>U-36</td> <td>"</td> <td>"</td> <td>V-675</td> <td>122</td> <td>1/2</td> <td>2900</td> <td>1\"/&gt;  <tr> <td>U-37</td> <td>"</td> <td>"</td> <td>V-675</td> <td>122</td> <td>1/2</td> <td>2900</td> <td>1\"/&gt;  <tr> <td>U-38</td> <td>"</td> <td>"</td> <td>V-675</td> <td>122</td> <td>1/2</td> <td>2900</td> <td>1\"/&gt;  <tr> <td>U-39</td> <td>"</td> <td>"</td> <td>V-675</td> <td>122</td> <td>1/2</td> <td>2900</td> <td>1\"/&gt;  <tr> <td>U-40</td> <td>"</td> <td>"</td> <td>V-675</td> <td>122</td> <td>1/2</td> <td>2900</td> <td>1\"/&gt;  <tr> <td>U-41</td> <td>"</td> <td>"</td> <td>V-675</td> <td>122</td> <td>1/2</td> <td>2900</td> <td>1\"/&gt;  <tr> <td>U-42</td> <td>"</td> <td>"</td> <td>V-675</td> <td>122</td> <td>1/2</td> <td>2900</td> <td>1\"/&gt;  <tr> <td>U-43</td> <td>"</td> <td>"</td> <td>V-675</td> <td>122</td> <td>1/2</td> <td>2900</td> <td>1\"/&gt;  <tr> <td>U-44</td> <td>"</td> <td>"</td> <td>V-675</td> <td>122</td> <td>1/2</td> <td>2900</td> <td>1\"/&gt;  <tr> <td>U-45</td> <td>"</td> <td>"</td> <td>V-675</td> <td>122</td> <td>1/2</td> <td>2900</td> <td>1\"/&gt;  <tr> <td>U-46</td> <td>"</td> <td>"</td> <td>V-675</td> <td>122</td> <td>1/2</td> <td>2900</td> <td>1\"/&gt;  <tr> <td>U-47</td> <td>"</td> <td>"</td> <td>V-675</td> <td>122</td> <td>1/2</td> <td>2900</td> <td>1\"/&gt;  <tr> <td>U-48</td> <td>"</td> <td>"</td> <td>V-675</td> <td>122</td> <td>1/2</td> <td>2900</td> <td>1\"/&gt;  <tr> <td>U-49</td> <td>"</td> <td>"</td> <td>V-675</td> <td>122</td> <td>1/2</td> <td>2900</td> <td>1\"/&gt;  <tr> <td>U-50</td> <td>"</td> <td>"</td> <td>V-675</td> <td>122</td> <td>1/2</td> <td>2900</td> <td>1\"/&gt;  </td></tr></td></tr></td></tr></td></tr></td></tr></td></tr></td></tr></td></tr></td></tr></td></tr></td></tr></td></tr></td></tr></td></tr></td></tr></td></tr></td></tr></td></tr></td></tr></td></tr></td></tr></td></tr></td></tr></td></tr></td></tr>   | U-26 | " | " | V-675 | 122 | 1/2 | 2900 | 1\"/> <tr> <td>U-27</td> <td>"</td> <td>"</td> <td>V-675</td> <td>122</td> <td>1/2</td> <td>2900</td> <td>1\"/&gt;  <tr> <td>U-28</td> <td>"</td> <td>"</td> <td>V-675</td> <td>122</td> <td>1/2</td> <td>2900</td> <td>1\"/&gt;  <tr> <td>U-29</td> <td>"</td> <td>"</td> <td>V-675</td> <td>122</td> <td>1/2</td> <td>2900</td> <td>1\"/&gt;  <tr> <td>U-30</td> <td>"</td> <td>"</td> <td>V-675</td> <td>122</td> <td>1/2</td> <td>2900</td> <td>1\"/&gt;  <tr> <td>U-31</td> <td>"</td> <td>"</td> <td>V-675</td> <td>122</td> <td>1/2</td> <td>2900</td> <td>1\"/&gt;  <tr> <td>U-32</td> <td>"</td> <td>"</td> <td>V-675</td> <td>122</td> <td>1/2</td> <td>2900</td> <td>1\"/&gt;  <tr> <td>U-33</td> <td>"</td> <td>"</td> <td>V-675</td> <td>122</td> <td>1/2</td> <td>2900</td> <td>1\"/&gt;  <tr> <td>U-34</td> <td>"</td> <td>"</td> <td>V-675</td> <td>122</td> <td>1/2</td> <td>2900</td> <td>1\"/&gt;  <tr> <td>U-35</td> <td>"</td> <td>"</td> <td>V-675</td> <td>122</td> <td>1/2</td> <td>2900</td> <td>1\"/&gt;  <tr> <td>U-36</td> <td>"</td> <td>"</td> <td>V-675</td> <td>122</td> <td>1/2</td> <td>2900</td> <td>1\"/&gt;  <tr> <td>U-37</td> <td>"</td> <td>"</td> <td>V-675</td> <td>122</td> <td>1/2</td> <td>2900</td> <td>1\"/&gt;  <tr> <td>U-38</td> <td>"</td> <td>"</td> <td>V-675</td> <td>122</td> <td>1/2</td> <td>2900</td> <td>1\"/&gt;  <tr> <td>U-39</td> <td>"</td> <td>"</td> <td>V-675</td> <td>122</td> <td>1/2</td> <td>2900</td> <td>1\"/&gt;  <tr> <td>U-40</td> <td>"</td> <td>"</td> <td>V-675</td> <td>122</td> <td>1/2</td> <td>2900</td> <td>1\"/&gt;  <tr> <td>U-41</td> <td>"</td> <td>"</td> <td>V-675</td> <td>122</td> <td>1/2</td> <td>2900</td> <td>1\"/&gt;  <tr> <td>U-42</td> <td>"</td> <td>"</td> <td>V-675</td> <td>122</td> <td>1/2</td> <td>2900</td> <td>1\"/&gt;  <tr> <td>U-43</td> <td>"</td> <td>"</td> <td>V-675</td> <td>122</td> <td>1/2</td> <td>2900</td> <td>1\"/&gt;  <tr> <td>U-44</td> <td>"</td> <td>"</td> <td>V-675</td> <td>122</td> <td>1/2</td> <td>2900</td> <td>1\"/&gt;  <tr> <td>U-45</td> <td>"</td> <td>"</td> <td>V-675</td> <td>122</td> <td>1/2</td> <td>2900</td> <td>1\"/&gt;  <tr> <td>U-46</td> <td>"</td> <td>"</td> <td>V-675</td> <td>122</td> <td>1/2</td> <td>2900</td> <td>1\"/&gt;  <tr> <td>U-47</td> <td>"</td> <td>"</td> <td>V-675</td> <td>122</td> <td>1/2</td> <td>2900</td> <td>1\"/&gt;  <tr> <td>U-48</td> <td>"</td> <td>"</td> <td>V-675</td> <td>122</td> <td>1/2</td> <td>2900</td> <td>1\"/&gt;  <tr> <td>U-49</td> <td>"</td> <td>"</td> <td>V-675</td> <td>122</td> <td>1/2</td> <td>2900</td> <td>1\"/&gt;  <tr> <td>U-50</td> <td>"</td> <td>"</td> <td>V-675</td> <td>122</td> <td>1/2</td> <td>2900</td> <td>1\"/&gt;  </td></tr></td></tr></td></tr></td></tr></td></tr></td></tr></td></tr></td></tr></td></tr></td></tr></td></tr></td></tr></td></tr></td></tr></td></tr></td></tr></td></tr></td></tr></td></tr></td></tr></td></tr></td></tr></td></tr></td></tr>  
  | U-27 | " | " | V-675 | 122 | 1/2 | 2900 | 1\"/> <tr> <td>U-28</td> <td>"</td> <td>"</td> <td>V-675</td> <td>122</td> <td>1/2</td> <td>2900</td> <td>1\"/&gt;  <tr> <td>U-29</td> <td>"</td> <td>"</td> <td>V-675</td> <td>122</td> <td>1/2</td> <td>2900</td> <td>1\"/&gt;  <tr> <td>U-30</td> <td>"</td> <td>"</td> <td>V-675</td> <td>122</td> <td>1/2</td> <td>2900</td> <td>1\"/&gt;  <tr> <td>U-31</td> <td>"</td> <td>"</td> <td>V-675</td> <td>122</td> <td>1/2</td> <td>2900</td> <td>1\"/&gt;  <tr> <td>U-32</td> <td>"</td> <td>"</td> <td>V-675</td> <td>122</td> <td>1/2</td> <td>2900</td> <td>1\"/&gt;  <tr> <td>U-33</td> <td>"</td> <td>"</td> <td>V-675</td> <td>122</td> <td>1/2</td> <td>2900</td> <td>1\"/&gt;  <tr> <td>U-34</td> <td>"</td> <td>"</td> <td>V-675</td> <td>122</td> <td>1/2</td> <td>2900</td> <td>1\"/&gt;  <tr> <td>U-35</td> <td>"</td> <td>"</td> <td>V-675</td> <td>122</td> <td>1/2</td> <td>2900</td> <td>1\"/&gt;  <tr> <td>U-36</td> <td>"</td> <td>"</td> <td>V-675</td> <td>122</td> <td>1/2</td> <td>2900</td> <td>1\"/&gt;  <tr> <td>U-37</td> <td>"</td> <td>"</td> <td>V-675</td> <td>122</td> <td>1/2</td> <td>2900</td> <td>1\"/&gt;  <tr> <td>U-38</td> <td>"</td> <td>"</td> <td>V-675</td> <td>122</td> <td>1/2</td> <td>2900</td> <td>1\"/&gt;  <tr> <td>U-39</td> <td>"</td> <td>"</td> <td>V-675</td> <td>122</td> <td>1/2</td> <td>2900</td> <td>1\"/&gt;  <tr> <td>U-40</td> <td>"</td> <td>"</td> <td>V-675</td> <td>122</td> <td>1/2</td> <td>2900</td> <td>1\"/&gt;  <tr> <td>U-41</td> <td>"</td> <td>"</td> <td>V-675</td> <td>122</td> <td>1/2</td> <td>2900</td> <td>1\"/&gt;  <tr> <td>U-42</td> <td>"</td> <td>"</td> <td>V-675</td> <td>122</td> <td>1/2</td> <td>2900</td> <td>1\"/&gt;  <tr> <td>U-43</td> <td>"</td> <td>"</td> <td>V-675</td> <td>122</td> <td>1/2</td> <td>2900</td> <td>1\"/&gt;  <tr> <td>U-44</td> <td>"</td> <td>"</td> <td>V-675</td> <td>122</td> <td>1/2</td> <td>2900</td> <td>1\"/&gt;  <tr> <td>U-45</td> <td>"</td> <td>"</td> <td>V-675</td> <td>122</td> <td>1/2</td> <td>2900</td> <td>1\"/&gt;  <tr> <td>U-46</td> <td>"</td> <td>"</td> <td>V-675</td> <td>122</td> <td>1/2</td> <td>2900</td> <td>1\"/&gt;  <tr> <td>U-47</td> <td>"</td> <td>"</td> <td>V-675</td> <td>122</td> <td>1/2</td> <td>2900</td> <td>1\"/&gt;  <tr> <td>U-48</td> <td>"</td> <td>"</td> <td>V-675</td> <td>122</td> <td>1/2</td> <td>2900</td> <td>1\"/&gt;  <tr> <td>U-49</td> <td>"</td> <td>"</td> <td>V-675</td> <td>122</td> <td>1/2</td> <td>2900</td> <td>1\"/&gt;  <tr> <td>U-50</td> <td>"</td> <td>"</td> <td>V-675</td> <td>122</td> <td>1/2</td> <td>2900</td> <td>1\"/&gt;  </td></tr></td></tr></td></tr></td></tr></td></tr></td></tr></td></tr></td></tr></td></tr></td></tr></td></tr></td></tr></td></tr></td></tr></td></tr></td></tr></td></tr></td></tr></td></tr></td></tr></td></tr></td></tr></td></tr>   | U-28 | " | " | V-675 | 122 | 1/2 | 2900 | 1\"/> <tr> <td>U-29</td> <td>"</td> <td>"</td> <td>V-675</td> <td>122</td> <td>1/2</td> <td>2900</td> <td>1\"/&gt;  <tr> <td>U-30</td> <td>"</td> <td>"</td> <td>V-675</td> <td>122</td> <td>1/2</td> <td>2900</td> <td>1\"/&gt;  <tr> <td>U-31</td> <td>"</td> <td>"</td> <td>V-675</td> <td>122</td> <td>1/2</td> <td>2900</td> <td>1\"/&gt;  <tr> <td>U-32</td> <td>"</td> <td>"</td> <td>V-675</td> <td>122</td> <td>1/2</td> <td>2900</td> <td>1\"/&gt;  <tr> <td>U-33</td> <td>"</td> <td>"</td> <td>V-675</td> <td>122</td> <td>1/2</td> <td>2900</td> <td>1\"/&gt;  <tr> <td>U-34</td> <td>"</td> <td>"</td> <td>V-675</td> <td>122</td> <td>1/2</td> <td>2900</td> <td>1\"/&gt;  <tr> <td>U-35</td> <td>"</td> <td>"</td> <td>V-675</td> <td>122</td> <td>1/2</td> <td>2900</td> <td>1\"/&gt;  <tr> <td>U-36</td> <td>"</td> <td>"</td> <td>V-675</td> <td>122</td> <td>1/2</td> <td>2900</td> <td>1\"/&gt;  <tr> <td>U-37</td> <td>"</td> <td>"</td> <td>V-675</td> <td>122</td> <td>1/2</td> <td>2900</td> <td>1\"/&gt;  <tr> <td>U-38</td> <td>"</td> <td>"</td> <td>V-675</td> <td>122</td> <td>1/2</td> <td>2900</td> <td>1\"/&gt;  <tr> <td>U-39</td> <td>"</td> <td>"</td> <td>V-675</td> <td>122</td> <td>1/2</td> <td>2900</td> <td>1\"/&gt;  <tr> <td>U-40</td> <td>"</td> <td>"</td> <td>V-675</td> <td>122</td> <td>1/2</td> <td>2900</td> <td>1\"/&gt;  <tr> <td>U-41</td> <td>"</td> <td>"</td> <td>V-675</td> <td>122</td> <td>1/2</td> <td>2900</td> <td>1\"/&gt;  <tr> <td>U-42</td> <td>"</td> <td>"</td> <td>V-675</td> <td>122</td> <td>1/2</td> <td>2900</td> <td>1\"/&gt;  <tr> <td>U-43</td> <td>"</td> <td>"</td> <td>V-675</td> <td>122</td> <td>1/2</td> <td>2900</td> <td>1\"/&gt;  <tr> <td>U-44</td> <td>"</td> <td>"</td> <td>V-675</td> <td>122</td> <td>1/2</td> <td>2900</td> <td>1\"/&gt;  <tr> <td>U-45</td> <td>"</td> <td>"</td> <td>V-675</td> <td>122</td> <td>1/2</td> <td>2900</td> <td>1\"/&gt;  <tr> <td>U-46</td> <td>"</td> <td>"</td> <td>V-675</td> <td>122</td> <td>1/2</td> <td>2900</td> <td>1\"/&gt;  <tr> <td>U-47</td> <td>"</td> <td>"</td> <td>V-675</td> <td>122</td> <td>1/2</td> <td>2900</td> <td>1\"/&gt;  <tr> <td>U-48</td> <td>"</td> <td>"</td> <td>V-675</td> <td>122</td> <td>1/2</td> <td>2900</td> <td>1\"/&gt;  <tr> <td>U-49</td> <td>"</td> <td>"</td> <td>V-675</td> <td>122</td> <td>1/2</td> <td>2900</td> <td>1\"/&gt;  <tr> <td>U-50</td> <td>"</td> <td>"</td> <td>V-675</td> <td>122</td> <td>1/2</td> <td>2900</td> <td>1\"/&gt;  </td></tr></td></tr></td></tr></td></tr></td></tr></td></tr></td></tr></td></tr></td></tr></td></tr></td></tr></td></tr></td></tr></td></tr></td></tr></td></tr></td></tr></td></tr></td></tr></td></tr></td></tr></td></tr>   | U-29 | " | " | V-675 | 122 | 1/2 | 2900 | 1\"/> <tr> <td>U-30</td> <td>"</td> <td>"</td> <td>V-675</td> <td>122</td> <td>1/2</td> <td>2900</td> <td>1\"/&gt;  <tr> <td>U-31</td> <td>"</td> <td>"</td> <td>V-675</td> <td>122</td> <td>1/2</td> <td>2900</td> <td>1\"/&gt;  <tr> <td>U-32</td> <td>"</td> <td>"</td> <td>V-675</td> <td>122</td> <td>1/2</td> <td>2900</td> <td>1\"/&gt;  <tr> <td>U-33</td> <td>"</td> <td>"</td> <td>V-675</td> <td>122</td> <td>1/2</td> <td>2900</td> <td>1\"/&gt;  <tr> <td>U-34</td> <td>"</td> <td>"</td> <td>V-675</td> <td>122</td> <td>1/2</td> <td>2900</td> <td>1\"/&gt;  <tr> <td>U-35</td> <td>"</td> <td>"</td> <td>V-675</td> <td>122</td> <td>1/2</td> <td>2900</td> <td>1\"/&gt;  <tr> <td>U-36</td> <td>"</td> <td>"</td> <td>V-675</td> <td>122</td> <td>1/2</td> <td>2900</td> <td>1\"/&gt;  <tr> <td>U-37</td> <td>"</td> <td>"</td> <td>V-675</td> <td>122</td> <td>1/2</td> <td>2900</td> <td>1\"/&gt;  <tr> <td>U-38</td> <td>"</td> <td>"</td> <td>V-675</td> <td>122</td> <td>1/2</td> <td>2900</td> <td>1\"/&gt;  <tr> <td>U-39</td> <td>"</td> <td>"</td> <td>V-675</td> <td>122</td> <td>1/2</td> <td>2900</td> <td>1\"/&gt;  <tr> <td>U-40</td> <td>"</td> <td>"</td> <td>V-675</td> <td>122</td> <td>1/2</td> <td>2900</td> <td>1\"/&gt;  <tr> <td>U-41</td> <td>"</td> <td>"</td> <td>V-675</td> <td>122</td> <td>1/2</td> <td>2900</td> <td>1\"/&gt;  <tr> <td>U-42</td> <td>"</td> <td>"</td> <td>V-675</td> <td>122</td> <td>1/2</td> <td>2900</td> <td>1\"/&gt;  <tr> <td>U-43</td> <td>"</td> <td>"</td> <td>V-675</td> <td>122</td> <td>1/2</td> <td>2900</td> <td>1\"/&gt;  <tr> <td>U-44</td> <td>"</td> <td>"</td> <td>V-675</td> <td>122</td> <td>1/2</td> <td>2900</td> <td>1\"/&gt;  <tr> <td>U-45</td> <td>"</td> <td>"</td> <td>V-675</td> <td>122</td> <td>1/2</td> <td>2900</td> <td>1\"/&gt;  <tr> <td>U-46</td> <td>"</td> <td>"</td> <td>V-675</td> <td>122</td> <td>1/2</td> <td>2900</td> <td>1\"/&gt;  <tr> <td>U-47</td> <td>"</td> <td>"</td> <td>V-675</td> <td>122</td> <td>1/2</td> <td>2900</td> <td>1\"/&gt;  <tr> <td>U-48</td> <td>"</td> <td>"</td> <td>V-675</td> <td>122</td> <td>1/2</td> <td>2900</td> <td>1\"/&gt;  <tr> <td>U-49</td> <td>"</td> <td>"</td> <td>V-675</td> <td>122</td> <td>1/2</td> <td>2900</td> <td>1\"/&gt;  <tr> <td>U-50</td> <td>"</td> <td>"</td> <td>V-675</td> <td>122</td> <td>1/2</td> <td>2900</td> <td>1\"/&gt;  </td></tr></td></tr></td></tr></td></tr></td></tr></td></tr></td></tr></td></tr></td></tr></td></tr></td></tr></td></tr></td></tr></td></tr></td></tr></td></tr></td></tr></td></tr></td></tr></td></tr></td></tr>             
   | U-30 | " | " | V-675 | 122 | 1/2 | 2900 | 1\"/> <tr> <td>U-31</td> <td>"</td> <td>"</td> <td>V-675</td> <td>122</td> <td>1/2</td> <td>2900</td> <td>1\"/&gt;  <tr> <td>U-32</td> <td>"</td> <td>"</td> <td>V-675</td> <td>122</td> <td>1/2</td> <td>2900</td> <td>1\"/&gt;  <tr> <td>U-33</td> <td>"</td> <td>"</td> <td>V-675</td> <td>122</td> <td>1/2</td> <td>2900</td> <td>1\"/&gt;  <tr> <td>U-34</td> <td>"</td> <td>"</td> <td>V-675</td> <td>122</td> <td>1/2</td> <td>2900</td> <td>1\"/&gt;  <tr> <td>U-35</td> <td>"</td> <td>"</td> <td>V-675</td> <td>122</td> <td>1/2</td> <td>2900</td> <td>1\"/&gt;  <tr> <td>U-36</td> <td>"</td> <td>"</td> <td>V-675</td> <td>122</td> <td>1/2</td> <td>2900</td> <td>1\"/&gt;  <tr> <td>U-37</td> <td>"</td> <td>"</td> <td>V-675</td> <td>122</td> <td>1/2</td> <td>2900</td> <td>1\"/&gt;  <tr> <td>U-38</td> <td>"</td> <td>"</td> <td>V-675</td> <td>122</td> <td>1/2</td> <td>2900</td> <td>1\"/&gt;  <tr> <td>U-39</td> <td>"</td> <td>"</td> <td>V-675</td> <td>122</td> <td>1/2</td> <td>2900</td> <td>1\"/&gt;  <tr> <td>U-40</td> <td>"</td> <td>"</td> <td>V-675</td> <td>122</td> <td>1/2</td> <td>2900</td> <td>1\"/&gt;  <tr> <td>U-41</td> <td>"</td> <td>"</td> <td>V-675</td> <td>122</td> <td>1/2</td> <td>2900</td> <td>1\"/&gt;  <tr> <td>U-42</td> <td>"</td> <td>"</td> <td>V-675</td> <td>122</td> <td>1/2</td> <td>2900</td> <td>1\"/&gt;  <tr> <td>U-43</td> <td>"</td> <td>"</td> <td>V-675</td> <td>122</td> <td>1/2</td> <td>2900</td> <td>1\"/&gt;  <tr> <td>U-44</td> <td>"</td> <td>"</td> <td>V-675</td> <td>122</td> <td>1/2</td> <td>2900</td> <td>1\"/&gt;  <tr> <td>U-45</td> <td>"</td> <td>"</td> <td>V-675</td> <td>122</td> <td>1/2</td> <td>2900</td> <td>1\"/&gt;  <tr> <td>U-46</td> <td>"</td> <td>"</td> <td>V-675</td> <td>122</td> <td>1/2</td> <td>2900</td> <td>1\"/&gt;  <tr> <td>U-47</td> <td>"</td> <td>"</td> <td>V-675</td> <td>122</td> <td>1/2</td> <td>2900</td> <td>1\"/&gt;  <tr> <td>U-48</td> <td>"</td> <td>"</td> <td>V-675</td> <td>122</td> <td>1/2</td> <td>2900</td> <td>1\"/&gt;  <tr> <td>U-49</td> <td>"</td> <td>"</td> <td>V-675</td> <td>122</td> <td>1/2</td> <td>2900</td> <td>1\"/&gt;  <tr> <td>U-50</td> <td>"</td> <td>"</td> <td>V-675</td> <td>122</td> <td>1/2</td> <td>2900</td> <td>1\"/&gt;  </td></tr></td></tr></td></tr></td></tr></td></tr></td></tr></td></tr></td></tr></td></tr></td></tr></td></tr></td></tr></td></tr></td></tr></td></tr></td></tr></td></tr></td></tr></td></tr></td></tr>   | U-31 | " | " | V-675 | 122 | 1/2 | 2900 | 1\"/> <tr> <td>U-32</td> <td>"</td> <td>"</td> <td>V-675</td> <td>122</td> <td>1/2</td> <td>2900</td> <td>1\"/&gt;  <tr> <td>U-33</td> <td>"</td> <td>"</td> <td>V-675</td> <td>122</td> <td>1/2</td> <td>2900</td> <td>1\"/&gt;  <tr> <td>U-34</td> <td>"</td> <td>"</td> <td>V-675</td> <td>122</td> <td>1/2</td> <td>2900</td> <td>1\"/&gt;  <tr> <td>U-35</td> <td>"</td> <td>"</td> <td>V-675</td> <td>122</td> <td>1/2</td> <td>2900</td> <td>1\"/&gt;  <tr> <td>U-36</td> <td>"</td> <td>"</td> <td>V-675</td> <td>122</td> <td>1/2</td> <td>2900</td> <td>1\"/&gt;  <tr> <td>U-37</td> <td>"</td> <td>"</td> <td>V-675</td> <td>122</td> <td>1/2</td> <td>2900</td> <td>1\"/&gt;  <tr> <td>U-38</td> <td>"</td> <td>"</td> <td>V-675</td> <td>122</td> <td>1/2</td> <td>2900</td> <td>1\"/&gt;  <tr> <td>U-39</td> <td>"</td> <td>"</td> <td>V-675</td> <td>122</td> <td>1/2</td> <td>2900</td> <td>1\"/&gt;  <tr> <td>U-40</td> <td>"</td> <td>"</td> <td>V-675</td> <td>122</td> <td>1/2</td> <td>2900</td> <td>1\"/&gt;  <tr> <td>U-41</td> <td>"</td> <td>"</td> <td>V-675</td> <td>122</td> <td>1/2</td> <td>2900</td> <td>1\"/&gt;  <tr> <td>U-42</td> <td>"</td> <td>"</td> <td>V-675</td> <td>122</td> <td>1/2</td> <td>2900</td> <td>1\"/&gt;  <tr> <td>U-43</td> <td>"</td> <td>"</td> <td>V-675</td> <td>122</td> <td>1/2</td> <td>2900</td> <td>1\"/&gt;  <tr> <td>U-44</td> <td>"</td> <td>"</td> <td>V-675</td> <td>122</td> <td>1/2</td> <td>2900</td> <td>1\"/&gt;  <tr> <td>U-45</td> <td>"</td> <td>"</td> <td>V-675</td> <td>122</td> <td>1/2</td> <td>2900</td> <td>1\"/&gt;  <tr> <td>U-46</td> <td>"</td> <td>"</td> <td>V-675</td> <td>122</td> <td>1/2</td> <td>2900</td> <td>1\"/&gt;  <tr> <td>U-47</td> <td>"</td> <td>"</td> <td>V-675</td> <td>122</td> <td>1/2</td> <td>2900</td> <td>1\"/&gt;  <tr> <td>U-48</td> <td>"</td> <td>"</td> <td>V-675</td> <td>122</td> <td>1/2</td> <td>2900</td> <td>1\"/&gt;  <tr> <td>U-49</td> <td>"</td> <td>"</td> <td>V-675</td> <td>122</td> <td>1/2</td> <td>2900</td> <td>1\"/&gt;  <tr> <td>U-50</td> <td>"</td> <td>"</td> <td>V-675</td> <td>122</td> <td>1/2</td> <td>2900</td> <td>1\"/&gt;  </td></tr></td></tr></td></tr></td></tr></td></tr></td></tr></td></tr></td></tr></td></tr></td></tr></td></tr></td></tr></td></tr></td></tr></td></tr></td></tr></td></tr></td></tr></td></tr>   | U-32 | " | " | V-675 | 122 | 1/2 | 2900 | 1\"/> <tr> <td>U-33</td> <td>"</td> <td>"</td> <td>V-675</td> <td>122</td> <td>1/2</td> <td>2900</td> <td>1\"/&gt;  <tr> <td>U-34</td> <td>"</td> <td>"</td> <td>V-675</td> <td>122</td> <td>1/2</td> <td>2900</td> <td>1\"/&gt;  <tr> <td>U-35</td> <td>"</td> <td>"</td> <td>V-675</td> <td>122</td> <td>1/2</td> <td>2900</td> <td>1\"/&gt;  <tr> <td>U-36</td> <td>"</td> <td>"</td> <td>V-675</td> <td>122</td> <td>1/2</td> <td>2900</td> <td>1\"/&gt;  <tr> <td>U-37</td> <td>"</td> <td>"</td> <td>V-675</td> <td>122</td> <td>1/2</td> <td>2900</td> <td>1\"/&gt;  <tr> <td>U-38</td> <td>"</td> <td>"</td> <td>V-675</td> <td>122</td> <td>1/2</td> <td>2900</td> <td>1\"/&gt;  <tr> <td>U-39</td> <td>"</td> <td>"</td> <td>V-675</td> <td>122</td> <td>1/2</td> <td>2900</td> <td>1\"/&gt;  <tr> <td>U-40</td> <td>"</td> <td>"</td> <td>V-675</td> <td>122</td> <td>1/2</td> <td>2900</td> <td>1\"/&gt;  <tr> <td>U-41</td> <td>"</td> <td>"</td> <td>V-675</td> <td>122</td> <td>1/2</td> <td>2900</td> <td>1\"/&gt;  <tr> <td>U-42</td> <td>"</td> <td>"</td> <td>V-675</td> <td>122</td> <td>1/2</td> <td>2900</td> <td>1\"/&gt;  <tr> <td>U-43</td> <td>"</td> <td>"</td> <td>V-675</td> <td>122</td> <td>1/2</td> <td>2900</td> <td>1\"/&gt;  <tr> <td>U-44</td> <td>"</td> <td>"</td> <td>V-675</td> <td>122</td> <td>1/2</td> <td>2900</td> <td>1\"/&gt;  <tr> <td>U-45</td> <td>"</td> <td>"</td> <td>V-675</td> <td>122</td> <td>1/2</td> <td>2900</td> <td>1\"/&gt;  <tr> <td>U-46</td> <td>"</td> <td>"</td> <td>V-675</td> <td>122</td> <td>1/2</td> <td>2900</td> <td>1\"/&gt;  <tr> <td>U-47</td> <td>"</td> <td>"</td> <td>V-675</td> <td>122</td> <td>1/2</td> <td>2900</td> <td>1\"/&gt;  <tr> <td>U-48</td> <td>"</td> <td>"</td> <td>V-675</td> <td>122</td> <td>1/2</td> <td>2900</td> <td>1\"/&gt;  <tr> <td>U-49</td> <td>"</td> <td>"</td> <td>V-675</td> <td>122</td> <td>1/2</td> <td>2900</td> <td>1\"/&gt;  <tr> <td>U-50</td> <td>"</td> <td>"</td> <td>V-675</td> <td>122</td> <td>1/2</td> <td>2900</td> <td>1\"/&gt;  </td></tr></td></tr></td></tr></td></tr></td></tr></td></tr></td></tr></td></tr></td></tr></td></tr></td></tr></td></tr></td></tr></td></tr></td></tr></td></tr></td></tr></td></tr>   | U-33 | " | " | V-675 | 122 | 1/2 | 2900 | 1\"/> <tr> <td>U-34</td> <td>"</td> <td>"</td> <td>V-675</td> <td>122</td> <td>1/2</td>
<td>2900</td> <td>1\"/&gt;  <tr> <td>U-35</td> <td>"</td> <td>"</td> <td>V-675</td> <td>122</td> <td>1/2</td> <td>2900</td> <td>1\"/&gt;  <tr> <td>U-36</td> <td>"</td> <td>"</td> <td>V-675</td> <td>122</td> <td>1/2</td> <td>2900</td> <td>1\"/&gt;  <tr> <td>U-37</td> <td>"</td> <td>"</td> <td>V-675</td> <td>122</td> <td>1/2</td> <td>2900</td> <td>1\"/&gt;  <tr> <td>U-38</td> <td>"</td> <td>"</td> <td>V-675</td> <td>122</td> <td>1/2</td> <td>2900</td> <td>1\"/&gt;  <tr> <td>U-39</td> <td>"</td> <td>"</td> <td>V-675</td> <td>122</td> <td>1/2</td> <td>2900</td> <td>1\"/&gt;  <tr> <td>U-40</td> <td>"</td> <td>"</td> <td>V-675</td> <td>122</td> <td>1/2</td> <td>2900</td> <td>1\"/&gt;  <tr> <td>U-41</td> <td>"</td> <td>"</td> <td>V-675</td> <td>122</td> <td>1/2</td> <td>2900</td> <td>1\"/&gt;  <tr> <td>U-42</td> <td>"</td> <td>"</td> <td>V-675</td> <td>122</td> <td>1/2</td> <td>2900</td> <td>1\"/&gt;  <tr> <td>U-43</td> <td>"</td> <td>"</td> <td>V-675</td> <td>122</td> <td>1/2</td> <td>2900</td> <td>1\"/&gt;  <tr> <td>U-44</td> <td>"</td> <td>"</td> <td>V-675</td> <td>122</td> <td>1/2</td> <td>2900</td> <td>1\"/&gt;  <tr> <td>U-45</td> <td>"</td> <td>"</td> <td>V-675</td> <td>122</td> <td>1/2</td> <td>2900</td> <td>1\"/&gt;  <tr> <td>U-46</td> <td>"</td> <td>"</td> <td>V-675</td> <td>122</td> <td>1/2</td> <td>2900</td> <td>1\"/&gt;  <tr> <td>U-47</td> <td>"</td> <td>"</td> <td>V-675</td> <td>122</td> <td>1/2</td> <td>2900</td> <td>1\"/&gt;  <tr> <td>U-48</td> <td>"</td> <td>"</td> <td>V-675</td> <td>122</td> <td>1/2</td> <td>2900</td> <td>1\"/&gt;  <tr> <td>U-49</td> <td>"</td> <td>"</td> <td>V-675</td> <td>122</td> <td>1/2</td> <td>2900</td> <td>1\"/&gt;  <tr> <td>U-50</td> <td>"</td> <td>"</td> <td>V-675</td> <td>122</td> <td>1/2</td> <td>2900</td> <td>1\"/&gt;  </td></tr></td></tr></td></tr></td></tr></td></tr></td></tr></td></tr></td></tr></td></tr></td></tr></td></tr></td></tr></td></tr></td></tr></td></tr></td></tr></td></tr>   | U-34 | " | " | V-675 | 122 | 1/2 | 2900 | 1\"/> <tr> <td>U-35</td> <td>"</td> <td>"</td> <td>V-675</td> <td>122</td> <td>1/2</td> <td>2900</td> <td>1\"/&gt;  <tr> <td>U-36</td> <td>"</td> <td>"</td> <td>V-675</td> <td>122</td> <td>1/2</td> <td>2900</td> <td>1\"/&gt;  <tr> <td>U-37</td> <td>"</td> <td>"</td> <td>V-675</td> <td>122</td> <td>1/2</td> <td>2900</td> <td>1\"/&gt;  <tr> <td>U-38</td> <td>"</td> <td>"</td> <td>V-675</td> <td>122</td> <td>1/2</td> <td>2900</td> <td>1\"/&gt;  <tr> <td>U-39</td> <td>"</td> <td>"</td> <td>V-675</td> <td>122</td> <td>1/2</td> <td>2900</td> <td>1\"/&gt;  <tr> <td>U-40</td> <td>"</td> <td>"</td> <td>V-675</td> <td>122</td> <td>1/2</td> <td>2900</td> <td>1\"/&gt;  <tr> <td>U-41</td> <td>"</td> <td>"</td> <td>V-675</td> <td>122</td> <td>1/2</td> <td>2900</td> <td>1\"/&gt;  <tr> <td>U-42</td> <td>"</td> <td>"</td> <td>V-675</td> <td>122</td> <td>1/2</td> <td>2900</td> <td>1\"/&gt;  <tr> <td>U-43</td> <td>"</td> <td>"</td> <td>V-675</td> <td>122</td> <td>1/2</td> <td>2900</td> <td>1\"/&gt;  <tr> <td>U-44</td> <td>"</td> <td>"</td> <td>V-675</td> <td>122</td> <td>1/2</td> <td>2900</td> <td>1\"/&gt;  <tr> <td>U-45</td> <td>"</td> <td>"</td> <td>V-675</td> <td>122</td> <td>1/2</td> <td>2900</td> <td>1\"/&gt;  <tr> <td>U-46</td> <td>"</td> <td>"</td> <td>V-675</td> <td>122</td> <td>1/2</td> <td>2900</td> <td>1\"/&gt;  <tr> <td>U-47</td> <td>"</td> <td>"</td> <td>V-675</td> <td>122</td> <td>1/2</td> <td>2900</td> <td>1\"/&gt;  <tr> <td>U-48</td> <td>"</td> <td>"</td> <td>V-675</td> <td>122</td> <td>1/2</td> <td>2900</td> <td>1\"/&gt;  <tr> <td>U-49</td> <td>"</td> <td>"</td> <td>V-675</td> <td>122</td> <td>1/2</td> <td>2900</td> <td>1\"/&gt;  <tr> <td>U-50</td> <td>"</td> <td>"</td> <td>V-675</td> <td>122</td> <td>1/2</td> <td>2900</td> <td>1\"/&gt;  </td></tr></td></tr></td></tr></td></tr></td></tr></td></tr></td></tr></td></tr></td></tr></td></tr></td></tr></td></tr></td></tr></td></tr></td></tr></td></tr>   | U-35 | " | " | V-675 | 122 | 1/2 | 2900 | 1\"/> <tr> <td>U-36</td> <td>"</td> <td>"</td> <td>V-675</td> <td>122</td> <td>1/2</td> <td>2900</td> <td>1\"/&gt;  <tr> <td>U-37</td> <td>"</td> <td>"</td> <td>V-675</td> <td>122</td> <td>1/2</td> <td>2900</td> <td>1\"/&gt;  <tr> <td>U-38</td> <td>"</td> <td>"</td> <td>V-675</td> <td>122</td> <td>1/2</td> <td>2900</td> <td>1\"/&gt;  <tr> <td>U-39</td> <td>"</td> <td>"</td> <td>V-675</td> <td>122</td> <td>1/2</td> <td>2900</td> <td>1\"/&gt;  <tr> <td>U-40</td> <td>"</td> <td>"</td> <td>V-675</td> <td>122</td> <td>1/2</td> <td>2900</td> <td>1\"/&gt;  <tr> <td>U-41</td> <td>"</td> <td>"</td> <td>V-675</td> <td>122</td> <td>1/2</td> <td>2900</td> <td>1\"/&gt;  <tr> <td>U-42</td> <td>"</td> <td>"</td> <td>V-675</td> <td>122</td> <td>1/2</td> <td>2900</td> <td>1\"/&gt;  <tr> <td>U-43</td> <td>"</td> <td>"</td> <td>V-675</td> <td>122</td> <td>1/2</td> <td>2900</td> <td>1\"/&gt;  <tr> <td>U-44</td> <td>"</td> <td>"</td> <td>V-675</td> <td>122</td> <td>1/2</td> <td>2900</td> <td>1\"/&gt;  <tr> <td>U-45</td> <td>"</td> <td>"</td> <td>V-675</td> <td>122</td> <td>1/2</td> <td>2900</td> <td>1\"/&gt;  <tr> <td>U-46</td> <td>"</td> <td>"</td> <td>V-675</td> <td>122</td> <td>1/2</td> <td>2900</td> <td>1\"/&gt;  <tr> <td>U-47</td> <td>"</td> <td>"</td> <td>V-675</td> <td>122</td> <td>1/2</td> <td>2900</td> <td>1\"/&gt;  <tr> <td>U-48</td> <td>"</td> <td>"</td> <td>V-675</td> <td>122</td> <td>1/2</td> <td>2900</td> <td>1\"/&gt;  <tr> <td>U-49</td> <td>"</td> <td>"</td> <td>V-675</td> <td>122</td> <td>1/2</td> <td>2900</td> <td>1\"/&gt;  <tr> <td>U-50</td> <td>"</td> <td>"</td> <td>V-675</td> <td>122</td> <td>1/2</td> <td>2900</td> <td>1\"/&gt;  </td></tr></td></tr></td></tr></td></tr></td></tr></td></tr></td></tr></td></tr></td></tr></td></tr></td></tr></td></tr></td></tr></td></tr></td></tr>   | U-36 | " | " | V-675 | 122 | 1/2 | 2900 | 1\"/> <tr> <td>U-37</td> <td>"</td> <td>"</td> <td>V-675</td> <td>122</td> <td>1/2</td> <td>2900</td> <td>1\"/&gt;  <tr> <td>U-38</td> <td>"</td> <td>"</td> <td>V-675</td> <td>122</td> <td>1/2</td> <td>2900</td> <td>1\"/&gt;  <tr> <td>U-39</td> <td>"</td> <td>"</td> <td>V-675</td> <td>122</td> <td>1/2</td> <td>2900</td> <td>1\"/&gt;  <tr> <td>U-40</td> <td>"</td> <td>"</td> <td>V-675</td> <td>122</td> <td>1/2</td> <td>2900</td> <td>1\"/&gt;  <tr> <td>U-41</td> <td>"</td> <td>"</td> <td>V-675</td> <td>122</td> <td>1/2</td> <td>2900</td> <td>1\"/&gt;  <tr> <td>U-42</td> <td>"</td> <td>"</td> <td>V-675</td> <td>122</td> <td>1/2</td> <td>2900</td> <td>1\"/&gt;  <tr> <td>U-43</td> <td>"</td> <td>"</td> <td>V-675</td> <td>122</td> <td>1/2</td> <td>2900</td> <td>1\"/&gt;  <tr> <td>U-44</td> <td>"</td> <td>"</td> <td>V-675</td> <td>122</td> <td>1/2</td> <td>2900</td> <td>1\"/&gt;  <tr> <td>U-45</td> <td>"</td> <td>"</td> <td>V-675</td> <td>122</td> <td>1/2</td> <td>2900</td> <td>1\"/&gt;  <tr> <td>U-46</td> <td>"</td> <td>"</td> <td>V-675</td> <td>122</td> <td>1/2</td> <td>2900</td> <td>1\"/&gt;  <tr> <td>U-47</td> <td>"</td> <td>"</td> <td>V-675</td> <td>122</td> <td>1/2</td> <td>2900</td> <td>1\"/&gt;  <tr> <td>U-48</td> <td>"</td> <td>"</td> <td>V-675</td> <td>122</td> <td>1/2</td> <td>2900</td> <td>1\"/&gt;  <tr> <td>U-49</td> <td>"</td> <td>"</td> <td>V-675</td> <td>122</td> <td>1/2</td> <td>2900</td> <td>1\"/&gt;  <tr> <td>U-50</td> <td>"</td> <td>"</td> <td>V-675</td> <td>122</td> <td>1/2</td> <td>2900</td> <td>1\"/&gt;  </td></tr></td></tr></td></tr></td></tr></td></tr></td></tr></td></tr></td></tr></td></tr></td></tr></td></tr></td></tr></td></tr></td></tr>  
  | U-37 | " | " | V-675 | 122 | 1/2 | 2900 | 1\"/> <tr> <td>U-38</td> <td>"</td> <td>"</td> <td>V-675</td> <td>122</td> <td>1/2</td> <td>2900</td> <td>1\"/&gt;  <tr> <td>U-39</td> <td>"</td> <td>"</td> <td>V-675</td> <td>122</td> <td>1/2</td> <td>2900</td> <td>1\"/&gt;  <tr> <td>U-40</td> <td>"</td> <td>"</td> <td>V-675</td> <td>122</td> <td>1/2</td> <td>2900</td> <td>1\"/&gt;  <tr> <td>U-41</td> <td>"</td> <td>"</td> <td>V-675</td> <td>122</td> <td>1/2</td> <td>2900</td> <td>1\"/&gt;  <tr> <td>U-42</td> <td>"</td> <td>"</td> <td>V-675</td> <td>122</td> <td>1/2</td> <td>2900</td> <td>1\"/&gt;  <tr> <td>U-43</td> <td>"</td> <td>"</td> <td>V-675</td> <td>122</td> <td>1/2</td> <td>2900</td> <td>1\"/&gt;  <tr> <td>U-44</td> <td>"</td> <td>"</td> <td>V-675</td> <td>122</td> <td>1/2</td> <td>2900</td> <td>1\"/&gt;  <tr> <td>U-45</td> <td>"</td> <td>"</td> <td>V-675</td> <td>122</td> <td>1/2</td> <td>2900</td> <td>1\"/&gt;  <tr> <td>U-46</td> <td>"</td> <td>"</td> <td>V-675</td> <td>122</td> <td>1/2</td> <td>2900</td> <td>1\"/&gt;  <tr> <td>U-47</td> <td>"</td> <td>"</td> <td>V-675</td> <td>122</td> <td>1/2</td> <td>2900</td> <td>1\"/&gt;  <tr> <td>U-48</td> <td>"</td> <td>"</td> <td>V-675</td> <td>122</td> <td>1/2</td> <td>2900</td> <td>1\"/&gt;  <tr> <td>U-49</td> <td>"</td> <td>"</td> <td>V-675</td> <td>122</td> <td>1/2</td> <td>2900</td> <td>1\"/&gt;  <tr> <td>U-50</td> <td>"</td> <td>"</td> <td>V-675</td> <td>122</td> <td>1/2</td> <td>2900</td> <td>1\"/&gt;  </td></tr></td></tr></td></tr></td></tr></td></tr></td></tr></td></tr></td></tr></td></tr></td></tr></td></tr></td></tr></td></tr>   | U-38 | " | " | V-675 | 122 | 1/2 | 2900 | 1\"/> <tr> <td>U-39</td> <td>"</td> <td>"</td> <td>V-675</td> <td>122</td> <td>1/2</td> <td>2900</td> <td>1\"/&gt;  <tr> <td>U-40</td> <td>"</td> <td>"</td> <td>V-675</td> <td>122</td> <td>1/2</td> <td>2900</td> <td>1\"/&gt;  <tr> <td>U-41</td> <td>"</td> <td>"</td> <td>V-675</td> <td>122</td> <td>1/2</td> <td>2900</td> <td>1\"/&gt;  <tr> <td>U-42</td> <td>"</td> <td>"</td> <td>V-675</td> <td>122</td> <td>1/2</td> <td>2900</td> <td>1\"/&gt;  <tr> <td>U-43</td> <td>"</td> <td>"</td> <td>V-675</td> <td>122</td> <td>1/2</td> <td>2900</td> <td>1\"/&gt;  <tr> <td>U-44</td> <td>"</td> <td>"</td> <td>V-675</td> <td>122</td> <td>1/2</td> <td>2900</td> <td>1\"/&gt;  <tr> <td>U-45</td> <td>"</td> <td>"</td> <td>V-675</td> <td>122</td> <td>1/2</td> <td>2900</td> <td>1\"/&gt;  <tr> <td>U-46</td> <td>"</td> <td>"</td> <td>V-675</td> <td>122</td> <td>1/2</td> <td>2900</td> <td>1\"/&gt;  <tr> <td>U-47</td> <td>"</td> <td>"</td> <td>V-675</td> <td>122</td> <td>1/2</td> <td>2900</td> <td>1\"/&gt;  <tr> <td>U-48</td> <td>"</td> <td>"</td> <td>V-675</td> <td>122</td> <td>1/2</td> <td>2900</td> <td>1\"/&gt;  <tr> <td>U-49</td> <td>"</td> <td>"</td> <td>V-675</td> <td>122</td> <td>1/2</td> <td>2900</td> <td>1\"/&gt;  <tr> <td>U-50</td> <td>"</td> <td>"</td> <td>V-675</td> <td>122</td> <td>1/2</td> <td>2900</td> <td>1\"/&gt;  </td></tr></td></tr></td></tr></td></tr></td></tr></td></tr></td></tr></td></tr></td></tr></td></tr></td></tr></td></tr>   | U-39 | " | " | V-675 | 122 | 1/2 | 2900 | 1\"/> <tr> <td>U-40</td> <td>"</td> <td>"</td> <td>V-675</td> <td>122</td> <td>1/2</td> <td>2900</td> <td>1\"/&gt;  <tr> <td>U-41</td> <td>"</td> <td>"</td> <td>V-675</td> <td>122</td> <td>1/2</td> <td>2900</td> <td>1\"/&gt;  <tr> <td>U-42</td> <td>"</td> <td>"</td> <td>V-675</td> <td>122</td> <td>1/2</td> <td>2900</td> <td>1\"/&gt;  <tr> <td>U-43</td> <td>"</td> <td>"</td> <td>V-675</td> <td>122</td> <td>1/2</td> <td>2900</td> <td>1\"/&gt;  <tr> <td>U-44</td> <td>"</td> <td>"</td> <td>V-675</td> <td>122</td> <td>1/2</td> <td>2900</td> <td>1\"/&gt;  <tr> <td>U-45</td> <td>"</td> <td>"</td> <td>V-675</td> <td>122</td> <td>1/2</td> <td>2900</td> <td>1\"/&gt;  <tr> <td>U-46</td> <td>"</td> <td>"</td> <td>V-675</td> <td>122</td> <td>1/2</td> <td>2900</td> <td>1\"/&gt;  <tr> <td>U-47</td> <td>"</td> <td>"</td> <td>V-675</td> <td>122</td> <td>1/2</td> <td>2900</td> <td>1\"/&gt;  <tr> <td>U-48</td> <td>"</td> <td>"</td> <td>V-675</td> <td>122</td> <td>1/2</td> <td>2900</td> <td>1\"/&gt;  <tr> <td>U-49</td> <td>"</td> <td>"</td> <td>V-675</td> <td>122</td> <td>1/2</td> <td>2900</td> <td>1\"/&gt;  <tr> <td>U-50</td> <td>"</td> <td>"</td> <td>V-675</td> <td>122</td> <td>1/2</td> <td>2900</td> <td>1\"/&gt;  </td></tr></td></tr></td></tr></td></tr></td></tr></td></tr></td></tr></td></tr></td></tr></td></tr></td></tr>   | U-40 | " | " | V-675 | 122 | 1/2 | 2900 | 1\"/> <tr> <td>U-41</td> <td>"</td> <td>"</td> <td>V-675</td> <td>122</td> <td>1/2</td> <td>2900</td> <td>1\"/&gt;  <tr> <td>U-42</td> <td>"</td> <td>"</td> <td>V-675</td> <td>122</td> <td>1/2</td> <td>2900</td> <td>1\"/&gt;  <tr> <td>U-43</td> <td>"</td> <td>"</td> <td>V-675</td> <td>122</td> <td>1/2</td> <td>2900</td> <td>1\"/&gt;  <tr> <td>U-44</td> <td>"</td> <td>"</td> <td>V-675</td> <td>122</td> <td>1/2</td> <td>2900</td> <td>1\"/&gt;  <tr> <td>U-45</td> <td>"</td> <td>"</td> <td>V-675</td> <td>122</td> <td>1/2</td> <td>2900</td> <td>1\"/&gt;  <tr> <td>U-46</td> <td>"</td> <td>"</td> <td>V-675</td> <td>122</td> <td>1/2</td> <td>2900</td> <td>1\"/&gt;  <tr> <td>U-47</td> <td>"</td> <td>"</td> <td>V-675</td> <td>122</td> <td>1/2</td> <td>2900</td> <td>1\"/&gt;  <tr> <td>U-48</td> <td>"</td> <td>"</td> <td>V-675</td> <td>122</td> <td>1/2</td> <td>2900</td> <td>1\"/&gt;  <tr> <td>U-49</td> <td>"</td> <td>"</td> <td>V-675</td> <td>122</td> <td>1/2</td> <td>2900</td> <td>1\"/&gt;  <tr> <td>U-50</td> <td>"</td> <td>"</td> <td>V-675</td> <td>122</td> <td>1/2</td> <td>2900</td> <td>1\"/&gt;  </td></tr></td></tr></td></tr></td></tr></td></tr></td></tr></td></tr></td></tr></td></tr></td></tr>   | U-41 | " | " | V-675 | 122 | 1/2 | 2900 | 1\"/> <tr> <td>U-42</td> <td>"</td> <td>"</td> <td>V-675</td> <td>122</td> <td>1/2</td> <td>2900</td> <td>1\"/&gt;  <tr> <td>U-43</td> <td>"</td> <td>"</td> <td>V-675</td> <td>122</td> <td>1/2</td> <td>2900</td> <td>1\"/&gt;  <tr> <td>U-44</td> <td>"</td> <td>"</td> <td>V-675</td> <td>122</td> <td>1/2</td> <td>2900</td> <td>1\"/&gt;  <tr> <td>U-45</td> <td>"</td> <td>"</td> <td>V-675</td> <td>122</td> <td>1/2</td> <td>2900</td> <td>1\"/&gt;  <tr> <td>U-46</td> <td>"</td> <td>"</td> <td>V-675</td> <td>122</td> <td>1/2</td> <td>2900</td> <td>1\"/&gt;  <tr> <td>U-47</td> <td>"</td> <td>"</td> <td>V-675</td> <td>122</td> <td>1/2</td> <td>2900</td> <td>1\"/&gt;  <tr> <td>U-48</td> <td>"</td> <td>"</td> <td>V-675</td> <td>122</td> <td>1/2</td> <td>2900</td> <td>1\"/&gt;  <tr> <td>U-49</td> <td>"</td> <td>"</td> <td>V-675</td> <td>122</td> <td>1/2</td> <td>2900</td> <td>1\"/&gt;  <tr> <td>U-50</td> <td>"</td> <td>"</td> <td>V-675</td> <td>122</td>
<td>1/2</td> <td>2900</td> <td>1\"/&gt;  </td></tr></td></tr></td></tr></td></tr></td></tr></td></tr></td></tr></td></tr></td></tr>   | U-42 | " | " | V-675 | 122 | 1/2 | 2900 | 1\"/> <tr> <td>U-43</td> <td>"</td> <td>"</td> <td>V-675</td> <td>122</td> <td>1/2</td> <td>2900</td> <td>1\"/&gt;  <tr> <td>U-44</td> <td>"</td> <td>"</td> <td>V-675</td> <td>122</td> <td>1/2</td> <td>2900</td> <td>1\"/&gt;  <tr> <td>U-45</td> <td>"</td> <td>"</td> <td>V-675</td> <td>122</td> <td>1/2</td> <td>2900</td> <td>1\"/&gt;  <tr> <td>U-46</td> <td>"</td> <td>"</td> <td>V-675</td> <td>122</td> <td>1/2</td> <td>2900</td> <td>1\"/&gt;  <tr> <td>U-47</td> <td>"</td> <td>"</td> <td>V-675</td> <td>122</td> <td>1/2</td> <td>2900</td> <td>1\"/&gt;  <tr> <td>U-48</td> <td>"</td> <td>"</td> <td>V-675</td> <td>122</td> <td>1/2</td> <td>2900</td> <td>1\"/&gt;  <tr> <td>U-49</td> <td>"</td> <td>"</td> <td>V-675</td> <td>122</td> <td>1/2</td> <td>2900</td> <td>1\"/&gt;  <tr> <td>U-50</td> <td>"</td> <td>"</td> <td>V-675</td> <td>122</td> <td>1/2</td> <td>2900</td> <td>1\"/&gt;  </td></tr></td></tr></td></tr></td></tr></td></tr></td></tr></td></tr></td></tr>   | U-43 | " | " | V-675 | 122 | 1/2 | 2900 | 1\"/> <tr> <td>U-44</td> <td>"</td> <td>"</td> <td>V-675</td> <td>122</td> <td>1/2</td> <td>2900</td> <td>1\"/&gt;  <tr> <td>U-45</td> <td>"</td> <td>"</td> <td>V-675</td> <td>122</td> <td>1/2</td> <td>2900</td> <td>1\"/&gt;  <tr> <td>U-46</td> <td>"</td> <td>"</td> <td>V-675</td> <td>122</td> <td>1/2</td> <td>2900</td> <td>1\"/&gt;  <tr> <td>U-47</td> <td>"</td> <td>"</td> <td>V-675</td> <td>122</td> <td>1/2</td> <td>2900</td> <td>1\"/&gt;  <tr> <td>U-48</td> <td>"</td> <td>"</td> <td>V-675</td> <td>122</td> <td>1/2</td> <td>2900</td> <td>1\"/&gt;  <tr> <td>U-49</td> <td>"</td> <td>"</td> <td>V-675</td> <td>122</td> <td>1/2</td> <td>2900</td> <td>1\"/&gt;  <tr> <td>U-50</td> <td>"</td> <td>"</td> <td>V-675</td> <td>122</td> <td>1/2</td> <td>2900</td> <td>1\"/&gt;  </td></tr></td></tr></td></tr></td></tr></td></tr></td></tr></td></tr>   | U-44 | " | " | V-675 | 122 | 1/2 | 2900 | 1\"/> <tr> <td>U-45</td> <td>"</td> <td>"</td> <td>V-675</td> <td>122</td> <td>1/2</td> <td>2900</td> <td>1\"/&gt;  <tr> <td>U-46</td> <td>"</td> <td>"</td> <td>V-675</td> <td>122</td> <td>1/2</td> <td>2900</td> <td>1\"/&gt;  <tr> <td>U-47</td> <td>"</td> <td>"</td> <td>V-675</td> <td>122</td> <td>1/2</td> <td>2900</td> <td>1\"/&gt;  <tr> <td>U-48</td> <td>"</td> <td>"</td> <td>V-675</td> <td>122</td> <td>1/2</td> <td>2900</td> <td>1\"/&gt;  <tr> <td>U-49</td> <td>"</td> <td>"</td> <td>V-675</td> <td>122</td> <td>1/2</td> <td>2900</td> <td>1\"/&gt;  <tr> <td>U-50</td> <td>"</td> <td>"</td> <td>V-675</td> <td>122</td> <td>1/2</td> <td>2900</td> <td>1\"/&gt;  </td></tr></td></tr></td></tr></td></tr></td></tr></td></tr>   | U-45 | " | " | V-675 | 122 | 1/2 | 2900 | 1\"/> <tr> <td>U-46</td> <td>"</td> <td>"</td> <td>V-675</td> <td>122</td> <td>1/2</td> <td>2900</td> <td>1\"/&gt;  <tr> <td>U-47</td> <td>"</td> <td>"</td> <td>V-675</td> <td>122</td> <td>1/2</td> <td>2900</td> <td>1\"/&gt;  <tr> <td>U-48</td> <td>"</td> <td>"</td> <td>V-675</td> <td>122</td> <td>1/2</td> <td>2900</td> <td>1\"/&gt;  <tr> <td>U-49</td> <td>"</td> <td>"</td> <td>V-675</td> <td>122</td> <td>1/2</td> <td>2900</td> <td>1\"/&gt;  <tr> <td>U-50</td> <td>"</td> <td>"</td> <td>V-675</td> <td>122</td> <td>1/2</td> <td>2900</td> <td>1\"/&gt;  </td></tr></td></tr></td></tr></td></tr></td></tr>   | U-46 | " | " | V-675 | 122 | 1/2 | 2900 | 1\"/> <tr> <td>U-47</td> <td>"</td> <td>"</td> <td>V-675</td> <td>122</td> <td>1/2</td> <td>2900</td> <td>1\"/&gt;  <tr> <td>U-48</td> <td>"</td> <td>"</td> <td>V-675</td> <td>122</td> <td>1/2</td> <td>2900</td> <td>1\"/&gt;  <tr> <td>U-49</td> <td>"</td> <td>"</td> <td>V-675</td> <td>122</td> <td>1/2</td> <td>2900</td> <td>1\"/&gt;  <tr> <td>U-50</td> <td>"</td> <td>"</td> <td>V-675</td> <td>122</td> <td>1/2</td> <td>2900</td> <td>1\"/&gt;  </td></tr></td></tr></td></tr></td></tr>   | U-47 | " | " | V-675 | 122 | 1/2 | 2900 | 1\"/> <tr> <td>U-48</td> <td>"</td> <td>"</td> <td>V-675</td> <td>122</td> <td>1/2</td> <td>2900</td> <td>1\"/&gt;  <tr> <td>U-49</td> <td>"</td> <td>"</td> <td>V-675</td> <td>122</td> <td>1/2</td> <td>2900</td> <td>1\"/&gt;  <tr> <td>U-50</td> <td>"</td> <td>"</td> <td>V-675</td> <td>122</td> <td>1/2</td> <td>2900</td> <td>1\"/&gt;  </td></tr></td></tr></td></tr>   | U-48 | " | " | V-675 | 122 | 1/2 | 2900 | 1\"/> <tr> <td>U-49</td> <td>"</td> <td>"</td> <td>V-675</td> <td>122</td> <td>1/2</td> <td>2900</td> <td>1\"/&gt;  <tr> <td>U-50</td> <td>"</td> <td>"</td> <td>V-675</td> <td>122</td> <td>1/2</td> <td>2900</td> <td>1\"/&gt;  </td></tr></td></tr>   
   | U-49 | " | " | V-675 | 122 | 1/2 | 2900 | 1\"/> <tr> <td>U-50</td> <td>"</td> <td>"</td> <td>V-675</td> <td>122</td> <td>1/2</td> <td>2900</td> <td>1\"/&gt;  </td></tr>   | U-50 | " | " | V-675 | 122 | 1/2 | 2900 | 1\"/>  |      |   |   |       |     |     |      |  |      |   |   |       |     |     |      |  |      |   |   |       |     |     |      |  |      |   |   |       |     |     |      |  |      |   |   |       |     |     |      |  |      |   |   |       |     |     |      |       |
| U-2  | "             | "                       | H3-540   | 34.6 | 1/2           | 2360    | 1\"/> <tr> <td>U-3</td> <td>"</td> <td>"</td> <td>H3-720</td> <td>141</td> <td>1/2</td> <td>4770</td> <td>1\"/&gt;  <tr> <td>U-4</td> <td>"</td> <td>"</td> <td>V-675</td> <td>122</td> <td>1/2</td> <td>2900</td> <td>1\"/&gt;  <tr> <td>U-5</td> <td>"</td> <td>"</td> <td>V-675</td> <td>122</td> <td>1/2</td> <td>2900</td> <td>1\"/&gt;  <tr> <td>U-6</td> <td>"</td> <td>"</td> <td>V-675</td> <td>122</td> <td>1/2</td> <td>2900</td> <td>1\"/&gt;  <tr> <td>U-7</td> <td>"</td> <td>"</td> <td>V-675</td> <td>122</td> <td>1/2</td> <td>2900</td> <td>1\"/&gt;  <tr> <td>U-8</td> <td>"</td> <td>"</td> <td>V-675</td> <td>122</td> <td>1/2</td> <td>2900</td> <td>1\"/&gt;  <tr> <td>U-9</td> <td>"</td> <td>"</td> <td>V-675</td> <td>122</td> <td>1/2</td> <td>2900</td> <td>1\"/&gt;  <tr> <td>U-10</td> <td>"</td> <td>"</td> <td>V-675</td> <td>122</td> <td>1/2</td> <td>2900</td> <td>1\"/&gt;  <tr> <td>U-11</td> <td>"</td> <td>"</td> <td>V-675</td> <td>122</td> <td>1/2</td> <td>2900</td> <td>1\"/&gt;  <tr> <td>U-12</td> <td>"</td> <td>"</td> <td>V-675</td> <td>122</td> <td>1/2</td> <td>2900</td> <td>1\"/&gt;  <tr> <td>U-13</td> <td>"</td> <td>"</td> <td>V-675</td> <td>122</td> <td>1/2</td> <td>2900</td> <td>1\"/&gt;  <tr> <td>U-14</td> <td>"</td> <td>"</td> <td>V-675</td> <td>122</td> <td>1/2</td> <td>2900</td> <td>1\"/&gt;  <tr> <td>U-15</td> <td>"</td> <td>"</td> <td>V-675</td> <td>122</td> <td>1/2</td> <td>2900</td> <td>1\"/&gt;  <tr> <td>U-16</td> <td>"</td> <td>"</td> <td>V-675</td> <td>122</td> <td>1/2</td> <td>2900</td> <td>1\"/&gt;  <tr> <td>U-17</td> <td>"</td> <td>"</td> <td>V-675</td> <td>122</td> <td>1/2</td> <td>2900</td> <td>1\"/&gt;  <tr> <td>U-18</td> <td>"</td> <td>"</td> <td>V-675</td> <td>122</td> <td>1/2</td> <td>2900</td> <td>1\"/&gt;  <tr> <td>U-19</td> <td>"</td> <td>"</td> <td>V-675</td> <td>122</td> <td>1/2</td> <td>2900</td> <td>1\"/&gt;  <tr> <td>U-20</td> <td>"</td> <td>"</td> <td>V-675</td> <td>122</td> <td>1/2</td> <td>2900</td> <td>1\"/&gt;  <tr> <td>U-21</td> <td>"</td> <td>"</td> <td>V-675</td> <td>122</td> <td>1/2</td> <td>2900</td> <td>1\"/&gt;  <tr> <td>U-22</td> <td>"</td> <td>"</td> <td>V-675</td> <td>122</td> <td>1/2</td> <td>2900</td> <td>1\"/&gt;  <tr> <td>U-23</td> <td>"</td> <td>"</td> <td>V-675</td> <td>122</td> <td>1/2</td> <td>2900</td> <td>1\"/&gt;  <tr> <td>U-24</td> <td>"</td> <td>"</td> <td>V-675</td> <td>122</td> <td>1/2</td> <td>2900</td> <td>1\"/&gt;  <tr> <td>U-25</td> <td>"</td> <td>"</td> <td>V-675</td> <td>122</td> <td>1/2</td> <td>2900</td> <td>1\"/&gt;  <tr> <td>U-26</td> <td>"</td> <td>"</td> <td>V-675</td> <td>122</td> <td>1/2</td> <td>2900</td> <td>1\"/&gt;  <tr> <td>U-27</td> <td>"</td> <td>"</td> <td>V-675</td> <td>122</td> <td>1/2</td> <td>2900</td> <td>1\"/&gt;  <tr> <td>U-28</td> <td>"</td> <td>"</td> <td>V-675</td> <td>122</td> <td>1/2</td> <td>2900</td> <td>1\"/&gt;  <tr> <td>U-29</td> <td>"</td> <td>"</td> <td>V-675</td> <td>122</td> <td>1/2</td> <td>2900</td> <td>1\"/&gt;  <tr> <td>U-30</td> <td>"</td> <td>"</td> <td>V-675</td> <td>122</td> <td>1/2</td> <td>2900</td> <td>1\"/&gt;  <tr> <td>U-31</td> <td>"</td> <td>"</td> <td>V-675</td> <td>122</td> <td>1/2</td> <td>2900</td> <td>1\"/&gt;  <tr> <td>U-32</td> <td>"</td> <td>"</td> <td>V-675</td> <td>122</td> <td>1/2</td> <td>2900</td> <td>1\"/&gt;  <tr> <td>U-33</td> <td>"</td> <td>"</td> <td>V-675</td> <td>122</td> <td>1/2</td> <td>2900</td> <td>1\"/&gt;  <tr> <td>U-34</td> <td>"</td> <td>"</td> <td>V-675</td> <td>122</td> <td>1/2</td> <td>2900</td> <td>1\"/&gt;  <tr> <td>U-35</td> <td>"</td> <td>"</td> <td>V-675</td> <td>122</td> <td>1/2</td> <td>2900</td> <td>1\"/&gt;  <tr> <td>U-36</td> <td>"</td> <td>"</td> <td>V-675</td> <td>122</td> <td>1/2</td> <td>2900</td> <td>1\"/&gt;  <tr> <td>U-37</td> <td>"</td> <td>"</td> <td>V-675</td> <td>122</td> <td>1/2</td> <td>2900</td> <td>1\"/&gt;  <tr> <td>U-38</td> <td>"</td> <td>"</td> <td>V-675</td> <td>122</td> <td>1/2</td> <td>2900</td> <td>1\"/&gt;  <tr> <td>U-39</td> <td>"</td> <td>"</td> <td>V-675</td> <td>122</td> <td>1/2</td> <td>2900</td> <td>1\"/&gt;  <tr> <td>U-40</td> <td>"</td> <td>"</td> <td>V-675</td> <td>122</td> <td>1/2</td> <td>2900</td> <td>1\"/&gt;  <tr> <td>U-41</td> <td>"</td> <td>"</td> <td>V-675</td> <td>122</td> <td>1/2</td> <td>2900</td> <td>1\"/&gt;  <tr> <td>U-42</td> <td>"</td> <td>"</td> <td>V-675</td> <td>122</td> <td>1/2</td> <td>2900</td> <td>1\"/&gt;  <tr> <td>U-43</td> <td>"</td> <td>"</td> <td>V-675</td> <td>122</td> <td>1/2</td> <td>2900</td> <td>1\"/&gt;  <tr> <td>U-44</td> <td>"</td> <td>"</td> <td>V-675</td> <td>122</td> <td>1/2</td> <td>2900</td> <td>1\"/&gt;  <tr> <td>U-45</td> <td>"</td> <td>"</td> <td>V-675</td> <td>122</td> <td>1/2</td> <td>2900</td> <td>1\"/&gt;  <tr> <td>U-46</td> <td>"</td> <td>"</td> <td>V-675</td> <td>122</td> <td>1/2</td> <td>2900</td> <td>1\"/&gt;  <tr> <td>U-47</td> <td>"</td> <td>"</td> <td>V-675</td> <td>122</td> <td>1/2</td> <td>2900</td> <td>1\"/&gt;  <tr> <td>U-48</td> <td>"</td> <td>"</td> <td>V-675</td> <td>122</td> <td>1/2</td> <td>2900</td> <td>1\"/&gt;  <tr> <td>U-49</td> <td>"</td> <td>"</td> <td>V-675</td> <td>122</td> <td>1/2</td> <td>2900</td> <td>1\"/&gt;  <tr> <td>U-50</td> <td>"</td> <td>"</td> <td>V-675</td> <td>122</td> <td>1/2</td> <td>2900</td> <td>1\"/&gt;  </td></tr></td></tr></td></tr></td></tr></td></tr></td></tr></td></tr></td></tr></td></tr></td></tr></td></tr></td></tr></td></tr></td></tr></td></tr></td></tr></td></tr></td></tr></td></tr></td></tr></td></tr></td></tr></td></tr></td></tr></td></tr></td></tr></td></tr></td></tr></td></tr></td></tr></td></tr></td></tr></td></tr></td></tr></td></tr></td></tr></td></tr></td></tr></td></tr></td></tr></td></tr></td></tr></td></tr></td></tr></td></tr></td></tr></td></tr></td></tr>  | U-3  | " | " | H3-720 | 141  | 1/2 | 4770   | 1\"/> <tr> <td>U-4</td> <td>"</td> <td>"</td> <td>V-675</td> <td>122</td> <td>1/2</td> <td>2900</td> <td>1\"/&gt;  <tr> <td>U-5</td> <td>"</td> <td>"</td> <td>V-675</td> <td>122</td> <td>1/2</td> <td>2900</td> <td>1\"/&gt;  <tr> <td>U-6</td> <td>"</td> <td>"</td> <td>V-675</td> <td>122</td> <td>1/2</td> <td>2900</td> <td>1\"/&gt;  <tr> <td>U-7</td> <td>"</td> <td>"</td> <td>V-675</td> <td>122</td> <td>1/2</td> <td>2900</td> <td>1\"/&gt;  <tr> <td>U-8</td> <td>"</td> <td>"</td> <td>V-675</td> <td>122</td> <td>1/2</td> <td>2900</td> <td>1\"/&gt;  <tr> <td>U-9</td> <td>"</td> <td>"</td> <td>V-675</td> <td>122</td> <td>1/2</td> <td>2900</td> <td>1\"/&gt;  <tr> <td>U-10</td> <td>"</td> <td>"</td> <td>V-675</td> <td>122</td> <td>1/2</td> <td>2900</td> <td>1\"/&gt;  <tr> <td>U-11</td> <td>"</td> <td>"</td> <td>V-675</td> <td>122</td> <td>1/2</td> <td>2900</td> <td>1\"/&gt;  <tr> <td>U-12</td> <td>"</td> <td>"</td> <td>V-675</td> <td>122</td> <td>1/2</td> <td>2900</td> <td>1\"/&gt;  <tr> <td>U-13</td> <td>"</td> <td>"</td> <td>V-675</td> <td>122</td> <td>1/2</td> <td>2900</td> <td>1\"/&gt;  <tr> <td>U-14</td> <td>"</td> <td>"</td> <td>V-675</td> <td>122</td> <td>1/2</td> <td>2900</td> <td>1\"/&gt;  <tr> <td>U-15</td> <td>"</td> <td>"</td> <td>V-675</td> <td>122</td> <td>1/2</td> <td>2900</td> <td>1\"/&gt;  <tr> <td>U-16</td> <td>"</td> <td>"</td> <td>V-675</td> <td>122</td> <td>1/2</td> <td>2900</td> <td>1\"/&gt;  <tr> <td>U-17</td> <td>"</td> <td>"</td> <td>V-675</td> <td>122</td> <td>1/2</td> <td>2900</td> <td>1\"/&gt;  <tr> <td>U-18</td> <td>"</td> <td>"</td> <td>V-675</td> <td>122</td> <td>1/2</td> <td>2900</td> <td>1\"/&gt;  <tr> <td>U-19</td> <td>"</td> <td>"</td> <td>V-675</td> <td>122</td> <td>1/2</td> <td>2900</td> <td>1\"/&gt;  <tr> <td>U-20</td> <td>"</td> <td>"</td> <td>V-675</td> <td>122</td> <td>1/2</td> <td>2900</td> <td>1\"/&gt;  <tr> <td>U-21</td> <td>"</td> <td>"</td> <td>V-675</td> <td>122</td> <td>1/2</td> <td>2900</td> <td>1\"/&gt;  <tr> <td>U-22</td> <td>"</td> <td>"</td> <td>V-675</td> <td>122</td> <td>1/2</td> <td>2900</td> <td>1\"/&gt;  <tr> <td>U-23</td> <td>"</td> <td>"</td> <td>V-675</td> <td>122</td> <td>1/2</td> <td>2900</td> <td>1\"/&gt;  <tr> <td>U-24</td> <td>"</td> <td>"</td> <td>V-675</td> <td>122</td> <td>1/2</td> <td>2900</td> <td>1\"/&gt;  <tr> <td>U-25</td> <td>"</td> <td>"</td> <td>V-675</td> <td>122</td> <td>1/2</td> <td>2900</td> <td>1\"/&gt;  <tr> <td>U-26</td> <td>"</td> <td>"</td> <td>V-675</td> <td>122</td> <td>1/2</td> <td>2900</td> <td>1\"/&gt;  <tr> <td>U-27</td> <td>"</td> <td>"</td> <td>V-675</td> <td>122</td> <td>1/2</td> <td>2900</td> <td>1\"/&gt;  <tr> <td>U-28</td> <td>"</td> <td>"</td> <td>V-675</td> <td>122</td> <td>1/2</td> <td>2900</td> <td>1\"/&gt;  <tr> <td>U-29</td> <td>"</td> <td>"</td> <td>V-675</td> <td>122</td> <td>1/2</td> <td>2900</td> <td>1\"/&gt;  <tr> <td>U-30</td> <td>"</td> <td>"</td> <td>V-675</td> <td>122</td> <td>1/2</td> <td>2900</td> <td>1\"/&gt;  <tr> <td>U-31</td> <td>"</td> <td>"</td> <td>V-675</td> <td>122</td> <td>1/2</td> <td>2900</td> <td>1\"/&gt;  <tr> <td>U-32</td> <td>"</td> <td>"</td> <td>V-675</td> <td>122</td> <td>1/2</td> <td>2900</td> <td>1\"/&gt;  <tr> <td>U-33</td> <td>"</td> <td>"</td> <td>V-675</td> <td>122</td> <td>1/2</td> <td>2900</td> <td>1\"/&gt;  <tr>
<td>U-34</td> <td>"</td> <td>"</td> <td>V-675</td> <td>122</td> <td>1/2</td> <td>2900</td> <td>1\"/&gt;  <tr> <td>U-35</td> <td>"</td> <td>"</td> <td>V-675</td> <td>122</td> <td>1/2</td> <td>2900</td> <td>1\"/&gt;  <tr> <td>U-36</td> <td>"</td> <td>"</td> <td>V-675</td> <td>122</td> <td>1/2</td> <td>2900</td> <td>1\"/&gt;  <tr> <td>U-37</td> <td>"</td> <td>"</td> <td>V-675</td> <td>122</td> <td>1/2</td> <td>2900</td> <td>1\"/&gt;  <tr> <td>U-38</td> <td>"</td> <td>"</td> <td>V-675</td> <td>122</td> <td>1/2</td> <td>2900</td> <td>1\"/&gt;  <tr> <td>U-39</td> <td>"</td> <td>"</td> <td>V-675</td> <td>122</td> <td>1/2</td> <td>2900</td> <td>1\"/&gt;  <tr> <td>U-40</td> <td>"</td> <td>"</td> <td>V-675</td> <td>122</td> <td>1/2</td> <td>2900</td> <td>1\"/&gt;  <tr> <td>U-41</td> <td>"</td> <td>"</td> <td>V-675</td> <td>122</td> <td>1/2</td> <td>2900</td> <td>1\"/&gt;  <tr> <td>U-42</td> <td>"</td> <td>"</td> <td>V-675</td> <td>122</td> <td>1/2</td> <td>2900</td> <td>1\"/&gt;  <tr> <td>U-43</td> <td>"</td> <td>"</td> <td>V-675</td> <td>122</td> <td>1/2</td> <td>2900</td> <td>1\"/&gt;  <tr> <td>U-44</td> <td>"</td> <td>"</td> <td>V-675</td> <td>122</td> <td>1/2</td> <td>2900</td> <td>1\"/&gt;  <tr> <td>U-45</td> <td>"</td> <td>"</td> <td>V-675</td> <td>122</td> <td>1/2</td> <td>2900</td> <td>1\"/&gt;  <tr> <td>U-46</td> <td>"</td> <td>"</td> <td>V-675</td> <td>122</td> <td>1/2</td> <td>2900</td> <td>1\"/&gt;  <tr> <td>U-47</td> <td>"</td> <td>"</td> <td>V-675</td> <td>122</td> <td>1/2</td> <td>2900</td> <td>1\"/&gt;  <tr> <td>U-48</td> <td>"</td> <td>"</td> <td>V-675</td> <td>122</td> <td>1/2</td> <td>2900</td> <td>1\"/&gt;  <tr> <td>U-49</td> <td>"</td> <td>"</td> <td>V-675</td> <td>122</td> <td>1/2</td> <td>2900</td> <td>1\"/&gt;  <tr> <td>U-50</td> <td>"</td> <td>"</td> <td>V-675</td> <td>122</td> <td>1/2</td> <td>2900</td> <td>1\"/&gt;  </td></tr></td></tr></td></tr></td></tr></td></tr></td></tr></td></tr></td></tr></td></tr></td></tr></td></tr></td></tr></td></tr></td></tr></td></tr></td></tr></td></tr></td></tr></td></tr></td></tr></td></tr></td></tr></td></tr></td></tr></td></tr></td></tr></td></tr></td></tr></td></tr></td></tr></td></tr></td></tr></td></tr></td></tr></td></tr></td></tr></td></tr></td></tr></td></tr></td></tr></td></tr></td></tr></td></tr></td></tr></td></tr></td></tr></td></tr>   | U-4  | " | " | V-675  | 122 | 1/2 | 2900   | 1\"/> <tr> <td>U-5</td> <td>"</td> <td>"</td> <td>V-675</td> <td>122</td> <td>1/2</td> <td>2900</td> <td>1\"/&gt;  <tr> <td>U-6</td> <td>"</td> <td>"</td> <td>V-675</td> <td>122</td> <td>1/2</td> <td>2900</td> <td>1\"/&gt;  <tr> <td>U-7</td> <td>"</td> <td>"</td> <td>V-675</td> <td>122</td> <td>1/2</td> <td>2900</td> <td>1\"/&gt;  <tr> <td>U-8</td> <td>"</td> <td>"</td> <td>V-675</td> <td>122</td> <td>1/2</td> <td>2900</td> <td>1\"/&gt;  <tr> <td>U-9</td> <td>"</td> <td>"</td> <td>V-675</td> <td>122</td> <td>1/2</td> <td>2900</td> <td>1\"/&gt;  <tr> <td>U-10</td> <td>"</td> <td>"</td> <td>V-675</td> <td>122</td> <td>1/2</td> <td>2900</td> <td>1\"/&gt;  <tr> <td>U-11</td> <td>"</td> <td>"</td> <td>V-675</td> <td>122</td> <td>1/2</td> <td>2900</td> <td>1\"/&gt;  <tr> <td>U-12</td> <td>"</td> <td>"</td> <td>V-675</td> <td>122</td> <td>1/2</td> <td>2900</td> <td>1\"/&gt;  <tr> <td>U-13</td> <td>"</td> <td>"</td> <td>V-675</td> <td>122</td> <td>1/2</td> <td>2900</td> <td>1\"/&gt;  <tr> <td>U-14</td> <td>"</td> <td>"</td> <td>V-675</td> <td>122</td> <td>1/2</td> <td>2900</td> <td>1\"/&gt;  <tr> <td>U-15</td> <td>"</td> <td>"</td> <td>V-675</td> <td>122</td> <td>1/2</td> <td>2900</td> <td>1\"/&gt;  <tr> <td>U-16</td> <td>"</td> <td>"</td> <td>V-675</td> <td>122</td> <td>1/2</td> <td>2900</td> <td>1\"/&gt;  <tr> <td>U-17</td> <td>"</td> <td>"</td> <td>V-675</td> <td>122</td> <td>1/2</td> <td>2900</td> <td>1\"/&gt;  <tr> <td>U-18</td> <td>"</td> <td>"</td> <td>V-675</td> <td>122</td> <td>1/2</td> <td>2900</td> <td>1\"/&gt;  <tr> <td>U-19</td> <td>"</td> <td>"</td> <td>V-675</td> <td>122</td> <td>1/2</td> <td>2900</td> <td>1\"/&gt;  <tr> <td>U-20</td> <td>"</td> <td>"</td> <td>V-675</td> <td>122</td> <td>1/2</td> <td>2900</td> <td>1\"/&gt;  <tr> <td>U-21</td> <td>"</td> <td>"</td> <td>V-675</td> <td>122</td> <td>1/2</td> <td>2900</td> <td>1\"/&gt;  <tr> <td>U-22</td> <td>"</td> <td>"</td> <td>V-675</td> <td>122</td> <td>1/2</td> <td>2900</td> <td>1\"/&gt;  <tr> <td>U-23</td> <td>"</td> <td>"</td> <td>V-675</td> <td>122</td> <td>1/2</td> <td>2900</td> <td>1\"/&gt;  <tr> <td>U-24</td> <td>"</td> <td>"</td> <td>V-675</td> <td>122</td> <td>1/2</td> <td>2900</td> <td>1\"/&gt;  <tr> <td>U-25</td> <td>"</td> <td>"</td> <td>V-675</td> <td>122</td> <td>1/2</td> <td>2900</td> <td>1\"/&gt;  <tr> <td>U-26</td> <td>"</td> <td>"</td> <td>V-675</td> <td>122</td> <td>1/2</td> <td>2900</td> <td>1\"/&gt;  <tr> <td>U-27</td> <td>"</td> <td>"</td> <td>V-675</td> <td>122</td> <td>1/2</td> <td>2900</td> <td>1\"/&gt;  <tr> <td>U-28</td> <td>"</td> <td>"</td> <td>V-675</td> <td>122</td> <td>1/2</td> <td>2900</td> <td>1\"/&gt;  <tr> <td>U-29</td> <td>"</td> <td>"</td> <td>V-675</td> <td>122</td> <td>1/2</td> <td>2900</td> <td>1\"/&gt;  <tr> <td>U-30</td> <td>"</td> <td>"</td> <td>V-675</td> <td>122</td> <td>1/2</td> <td>2900</td> <td>1\"/&gt;  <tr> <td>U-31</td> <td>"</td> <td>"</td> <td>V-675</td> <td>122</td> <td>1/2</td> <td>2900</td> <td>1\"/&gt;  <tr> <td>U-32</td> <td>"</td> <td>"</td> <td>V-675</td> <td>122</td> <td>1/2</td> <td>2900</td> <td>1\"/&gt;  <tr> <td>U-33</td> <td>"</td> <td>"</td> <td>V-675</td> <td>122</td> <td>1/2</td> <td>2900</td> <td>1\"/&gt;  <tr> <td>U-34</td> <td>"</td> <td>"</td> <td>V-675</td> <td>122</td> <td>1/2</td> <td>2900</td> <td>1\"/&gt;  <tr> <td>U-35</td> <td>"</td> <td>"</td> <td>V-675</td> <td>122</td> <td>1/2</td> <td>2900</td> <td>1\"/&gt;  <tr> <td>U-36</td> <td>"</td> <td>"</td> <td>V-675</td> <td>122</td> <td>1/2</td> <td>2900</td> <td>1\"/&gt;  <tr> <td>U-37</td> <td>"</td> <td>"</td> <td>V-675</td> <td>122</td> <td>1/2</td> <td>2900</td> <td>1\"/&gt;  <tr> <td>U-38</td> <td>"</td> <td>"</td> <td>V-675</td> <td>122</td> <td>1/2</td> <td>2900</td> <td>1\"/&gt;  <tr> <td>U-39</td> <td>"</td> <td>"</td> <td>V-675</td> <td>122</td> <td>1/2</td> <td>2900</td> <td>1\"/&gt;  <tr> <td>U-40</td> <td>"</td> <td>"</td> <td>V-675</td> <td>122</td> <td>1/2</td> <td>2900</td> <td>1\"/&gt;  <tr> <td>U-41</td> <td>"</td> <td>"</td> <td>V-675</td> <td>122</td> <td>1/2</td> <td>2900</td> <td>1\"/&gt;  <tr> <td>U-42</td> <td>"</td> <td>"</td> <td>V-675</td> <td>122</td> <td>1/2</td> <td>2900</td> <td>1\"/&gt;  <tr> <td>U-43</td> <td>"</td> <td>"</td> <td>V-675</td> <td>122</td> <td>1/2</td> <td>2900</td> <td>1\"/&gt;  <tr> <td>U-44</td> <td>"</td> <td>"</td> <td>V-675</td> <td>122</td> <td>1/2</td> <td>2900</td> <td>1\"/&gt;  <tr> <td>U-45</td> <td>"</td> <td>"</td> <td>V-675</td> <td>122</td> <td>1/2</td> <td>2900</td> <td>1\"/&gt;  <tr> <td>U-46</td> <td>"</td> <td>"</td> <td>V-675</td> <td>122</td> <td>1/2</td> <td>2900</td> <td>1\"/&gt;  <tr> <td>U-47</td> <td>"</td> <td>"</td> <td>V-675</td> <td>122</td> <td>1/2</td> <td>2900</td> <td>1\"/&gt;  <tr> <td>U-48</td> <td>"</td> <td>"</td> <td>V-675</td> <td>122</td> <td>1/2</td> <td>2900</td> <td>1\"/&gt;  <tr> <td>U-49</td> <td>"</td> <td>"</td> <td>V-675</td> <td>122</td> <td>1/2</td> <td>2900</td> <td>1\"/&gt;  <tr> <td>U-50</td> <td>"</td> <td>"</td> <td>V-675</td> <td>122</td> <td>1/2</td> <td>2900</td> <td>1\"/&gt;  </td></tr></td></tr></td></tr></td></tr></td></tr></td></tr></td></tr></td></tr></td></tr></td></tr></td></tr></td></tr></td></tr></td></tr></td></tr></td></tr></td></tr></td></tr></td></tr></td></tr></td></tr></td></tr></td></tr></td></tr></td></tr></td></tr></td></tr></td></tr></td></tr></td></tr></td></tr></td></tr></td></tr></td></tr></td></tr></td></tr></td></tr></td></tr></td></tr></td></tr></td></tr></td></tr></td></tr></td></tr></td></tr></td></tr>  | U-5  | " | " | V-675 | 122 | 1/2 | 2900    | 1\"/> <tr> <td>U-6</td> <td>"</td> <td>"</td> <td>V-675</td> <td>122</td> <td>1/2</td> <td>2900</td> <td>1\"/&gt;  <tr> <td>U-7</td> <td>"</td> <td>"</td> <td>V-675</td> <td>122</td> <td>1/2</td> <td>2900</td> <td>1\"/&gt;  <tr> <td>U-8</td> <td>"</td> <td>"</td> <td>V-675</td> <td>122</td> <td>1/2</td> <td>2900</td> <td>1\"/&gt;  <tr> <td>U-9</td> <td>"</td> <td>"</td> <td>V-675</td> <td>122</td> <td>1/2</td> <td>2900</td> <td>1\"/&gt;  <tr> <td>U-10</td> <td>"</td> <td>"</td> <td>V-675</td> <td>122</td> <td>1/2</td> <td>2900</td> <td>1\"/&gt;  <tr> <td>U-11</td> <td>"</td> <td>"</td> <td>V-675</td> <td>122</td> <td>1/2</td> <td>2900</td> <td>1\"/&gt;  <tr> <td>U-12</td> <td>"</td> <td>"</td> <td>V-675</td> <td>122</td> <td>1/2</td> <td>2900</td> <td>1\"/&gt;  <tr> <td>U-13</td> <td>"</td> <td>"</td> <td>V-675</td> <td>122</td> <td>1/2</td> <td>2900</td> <td>1\"/&gt;  <tr> <td>U-14</td> <td>"</td> <td>"</td> <td>V-675</td> <td>122</td> <td>1/2</td> <td>2900</td> <td>1\"/&gt;  <tr> <td>U-15</td> <td>"</td> <td>"</td> <td>V-675</td> <td>122</td> <td>1/2</td> <td>2900</td> <td>1\"/&gt;  <tr> <td>U-16</td> <td>"</td> <td>"</td> <td>V-675</td> <td>122</td> <td>1/2</td> <td>2900</td> <td>1\"/&gt;  <tr> <td>U-17</td> <td>"</td> <td>"</td> <td>V-675</td> <td>122</td> <td>1/2</td> <td>2900</td> <td>1\"/&gt;  <tr> <td>U-18</td> <td>"</td> <td>"</td> <td>V-675</td> <td>122</td> <td>1/2</td> <td>2900</td> <td>1\"/&gt;  <tr> <td>U-19</td> <td>"</td> <td>"</td> <td>V-675</td> <td>122</td> <td>1/2</td> <td>2900</td> <td>1\"/&gt;  <tr> <td>U-20</td> <td>"</td> <td>"</td> <td>V-675</td> <td>122</td> <td>1/2</td> <td>2900</td> <td>1\"/&gt;  <tr> <td>U-21</td> <td>"</td> <td>"</td> <td>V-675</td> <td>122</td> <td>1/2</td> <td>2900</td> <td>1\"/&gt;  <tr> <td>U-22</td> <td>"</td> <td>"</td>
<td>V-675</td> <td>122</td> <td>1/2</td> <td>2900</td> <td>1\"/&gt;  <tr> <td>U-23</td> <td>"</td> <td>"</td> <td>V-675</td> <td>122</td> <td>1/2</td> <td>2900</td> <td>1\"/&gt;  <tr> <td>U-24</td> <td>"</td> <td>"</td> <td>V-675</td> <td>122</td> <td>1/2</td> <td>2900</td> <td>1\"/&gt;  <tr> <td>U-25</td> <td>"</td> <td>"</td> <td>V-675</td> <td>122</td> <td>1/2</td> <td>2900</td> <td>1\"/&gt;  <tr> <td>U-26</td> <td>"</td> <td>"</td> <td>V-675</td> <td>122</td> <td>1/2</td> <td>2900</td> <td>1\"/&gt;  <tr> <td>U-27</td> <td>"</td> <td>"</td> <td>V-675</td> <td>122</td> <td>1/2</td> <td>2900</td> <td>1\"/&gt;  <tr> <td>U-28</td> <td>"</td> <td>"</td> <td>V-675</td> <td>122</td> <td>1/2</td> <td>2900</td> <td>1\"/&gt;  <tr> <td>U-29</td> <td>"</td> <td>"</td> <td>V-675</td> <td>122</td> <td>1/2</td> <td>2900</td> <td>1\"/&gt;  <tr> <td>U-30</td> <td>"</td> <td>"</td> <td>V-675</td> <td>122</td> <td>1/2</td> <td>2900</td> <td>1\"/&gt;  <tr> <td>U-31</td> <td>"</td> <td>"</td> <td>V-675</td> <td>122</td> <td>1/2</td> <td>2900</td> <td>1\"/&gt;  <tr> <td>U-32</td> <td>"</td> <td>"</td> <td>V-675</td> <td>122</td> <td>1/2</td> <td>2900</td> <td>1\"/&gt;  <tr> <td>U-33</td> <td>"</td> <td>"</td> <td>V-675</td> <td>122</td> <td>1/2</td> <td>2900</td> <td>1\"/&gt;  <tr> <td>U-34</td> <td>"</td> <td>"</td> <td>V-675</td> <td>122</td> <td>1/2</td> <td>2900</td> <td>1\"/&gt;  <tr> <td>U-35</td> <td>"</td> <td>"</td> <td>V-675</td> <td>122</td> <td>1/2</td> <td>2900</td> <td>1\"/&gt;  <tr> <td>U-36</td> <td>"</td> <td>"</td> <td>V-675</td> <td>122</td> <td>1/2</td> <td>2900</td> <td>1\"/&gt;  <tr> <td>U-37</td> <td>"</td> <td>"</td> <td>V-675</td> <td>122</td> <td>1/2</td> <td>2900</td> <td>1\"/&gt;  <tr> <td>U-38</td> <td>"</td> <td>"</td> <td>V-675</td> <td>122</td> <td>1/2</td> <td>2900</td> <td>1\"/&gt;  <tr> <td>U-39</td> <td>"</td> <td>"</td> <td>V-675</td> <td>122</td> <td>1/2</td> <td>2900</td> <td>1\"/&gt;  <tr> <td>U-40</td> <td>"</td> <td>"</td> <td>V-675</td> <td>122</td> <td>1/2</td> <td>2900</td> <td>1\"/&gt;  <tr> <td>U-41</td> <td>"</td> <td>"</td> <td>V-675</td> <td>122</td> <td>1/2</td> <td>2900</td> <td>1\"/&gt;  <tr> <td>U-42</td> <td>"</td> <td>"</td> <td>V-675</td> <td>122</td> <td>1/2</td> <td>2900</td> <td>1\"/&gt;  <tr> <td>U-43</td> <td>"</td> <td>"</td> <td>V-675</td> <td>122</td> <td>1/2</td> <td>2900</td> <td>1\"/&gt;  <tr> <td>U-44</td> <td>"</td> <td>"</td> <td>V-675</td> <td>122</td> <td>1/2</td> <td>2900</td> <td>1\"/&gt;  <tr> <td>U-45</td> <td>"</td> <td>"</td> <td>V-675</td> <td>122</td> <td>1/2</td> <td>2900</td> <td>1\"/&gt;  <tr> <td>U-46</td> <td>"</td> <td>"</td> <td>V-675</td> <td>122</td> <td>1/2</td> <td>2900</td> <td>1\"/&gt;  <tr> <td>U-47</td> <td>"</td> <td>"</td> <td>V-675</td> <td>122</td> <td>1/2</td> <td>2900</td> <td>1\"/&gt;  <tr> <td>U-48</td> <td>"</td> <td>"</td> <td>V-675</td> <td>122</td> <td>1/2</td> <td>2900</td> <td>1\"/&gt;  <tr> <td>U-49</td> <td>"</td> <td>"</td> <td>V-675</td> <td>122</td> <td>1/2</td> <td>2900</td> <td>1\"/&gt;  <tr> <td>U-50</td> <td>"</td> <td>"</td> <td>V-675</td> <td>122</td> <td>1/2</td> <td>2900</td> <td>1\"/&gt;  </td></tr></td></tr></td></tr></td></tr></td></tr></td></tr></td></tr></td></tr></td></tr></td></tr></td></tr></td></tr></td></tr></td></tr></td></tr></td></tr></td></tr></td></tr></td></tr></td></tr></td></tr></td></tr></td></tr></td></tr></td></tr></td></tr></td></tr></td></tr></td></tr></td></tr></td></tr></td></tr></td></tr></td></tr></td></tr></td></tr></td></tr></td></tr></td></tr></td></tr></td></tr></td></tr></td></tr></td></tr></td></tr>  | U-6  | " | " | V-675 | 122 | 1/2 | 2900   | 1\"/> <tr> <td>U-7</td> <td>"</td> <td>"</td> <td>V-675</td> <td>122</td> <td>1/2</td> <td>2900</td> <td>1\"/&gt;  <tr> <td>U-8</td> <td>"</td> <td>"</td> <td>V-675</td> <td>122</td> <td>1/2</td> <td>2900</td> <td>1\"/&gt;  <tr> <td>U-9</td> <td>"</td> <td>"</td> <td>V-675</td> <td>122</td> <td>1/2</td> <td>2900</td> <td>1\"/&gt;  <tr> <td>U-10</td> <td>"</td> <td>"</td> <td>V-675</td> <td>122</td> <td>1/2</td> <td>2900</td> <td>1\"/&gt;  <tr> <td>U-11</td> <td>"</td> <td>"</td> <td>V-675</td> <td>122</td> <td>1/2</td> <td>2900</td> <td>1\"/&gt;  <tr> <td>U-12</td> <td>"</td> <td>"</td> <td>V-675</td> <td>122</td> <td>1/2</td> <td>2900</td> <td>1\"/&gt;  <tr> <td>U-13</td> <td>"</td> <td>"</td> <td>V-675</td> <td>122</td> <td>1/2</td> <td>2900</td> <td>1\"/&gt;  <tr> <td>U-14</td> <td>"</td> <td>"</td> <td>V-675</td> <td>122</td> <td>1/2</td> <td>2900</td> <td>1\"/&gt;  <tr> <td>U-15</td> <td>"</td> <td>"</td> <td>V-675</td> <td>122</td> <td>1/2</td> <td>2900</td> <td>1\"/&gt;  <tr> <td>U-16</td> <td>"</td> <td>"</td> <td>V-675</td> <td>122</td> <td>1/2</td> <td>2900</td> <td>1\"/&gt;  <tr> <td>U-17</td> <td>"</td> <td>"</td> <td>V-675</td> <td>122</td> <td>1/2</td> <td>2900</td> <td>1\"/&gt;  <tr> <td>U-18</td> <td>"</td> <td>"</td> <td>V-675</td> <td>122</td> <td>1/2</td> <td>2900</td> <td>1\"/&gt;  <tr> <td>U-19</td> <td>"</td> <td>"</td> <td>V-675</td> <td>122</td> <td>1/2</td> <td>2900</td> <td>1\"/&gt;  <tr> <td>U-20</td> <td>"</td> <td>"</td> <td>V-675</td> <td>122</td> <td>1/2</td> <td>2900</td> <td>1\"/&gt;  <tr> <td>U-21</td> <td>"</td> <td>"</td> <td>V-675</td> <td>122</td> <td>1/2</td> <td>2900</td> <td>1\"/&gt;  <tr> <td>U-22</td> <td>"</td> <td>"</td> <td>V-675</td> <td>122</td> <td>1/2</td> <td>2900</td> <td>1\"/&gt;  <tr> <td>U-23</td> <td>"</td> <td>"</td> <td>V-675</td> <td>122</td> <td>1/2</td> <td>2900</td> <td>1\"/&gt;  <tr> <td>U-24</td> <td>"</td> <td>"</td> <td>V-675</td> <td>122</td> <td>1/2</td> <td>2900</td> <td>1\"/&gt;  <tr> <td>U-25</td> <td>"</td> <td>"</td> <td>V-675</td> <td>122</td> <td>1/2</td> <td>2900</td> <td>1\"/&gt;  <tr> <td>U-26</td> <td>"</td> <td>"</td> <td>V-675</td> <td>122</td> <td>1/2</td> <td>2900</td> <td>1\"/&gt;  <tr> <td>U-27</td> <td>"</td> <td>"</td> <td>V-675</td> <td>122</td> <td>1/2</td> <td>2900</td> <td>1\"/&gt;  <tr> <td>U-28</td> <td>"</td> <td>"</td> <td>V-675</td> <td>122</td> <td>1/2</td> <td>2900</td> <td>1\"/&gt;  <tr> <td>U-29</td> <td>"</td> <td>"</td> <td>V-675</td> <td>122</td> <td>1/2</td> <td>2900</td> <td>1\"/&gt;  <tr> <td>U-30</td> <td>"</td> <td>"</td> <td>V-675</td> <td>122</td> <td>1/2</td> <td>2900</td> <td>1\"/&gt;  <tr> <td>U-31</td> <td>"</td> <td>"</td> <td>V-675</td> <td>122</td> <td>1/2</td> <td>2900</td> <td>1\"/&gt;  <tr> <td>U-32</td> <td>"</td> <td>"</td> <td>V-675</td> <td>122</td> <td>1/2</td> <td>2900</td> <td>1\"/&gt;  <tr> <td>U-33</td> <td>"</td> <td>"</td> <td>V-675</td> <td>122</td> <td>1/2</td> <td>2900</td> <td>1\"/&gt;  <tr> <td>U-34</td> <td>"</td> <td>"</td> <td>V-675</td> <td>122</td> <td>1/2</td> <td>2900</td> <td>1\"/&gt;  <tr> <td>U-35</td> <td>"</td> <td>"</td> <td>V-675</td> <td>122</td> <td>1/2</td> <td>2900</td> <td>1\"/&gt;  <tr> <td>U-36</td> <td>"</td> <td>"</td> <td>V-675</td> <td>122</td> <td>1/2</td> <td>2900</td> <td>1\"/&gt;  <tr> <td>U-37</td> <td>"</td> <td>"</td> <td>V-675</td> <td>122</td> <td>1/2</td> <td>2900</td> <td>1\"/&gt;  <tr> <td>U-38</td> <td>"</td> <td>"</td> <td>V-675</td> <td>122</td> <td>1/2</td> <td>2900</td> <td>1\"/&gt;  <tr> <td>U-39</td> <td>"</td> <td>"</td> <td>V-675</td> <td>122</td> <td>1/2</td> <td>2900</td> <td>1\"/&gt;  <tr> <td>U-40</td> <td>"</td> <td>"</td> <td>V-675</td> <td>122</td> <td>1/2</td> <td>2900</td> <td>1\"/&gt;  <tr> <td>U-41</td> <td>"</td> <td>"</td> <td>V-675</td> <td>122</td> <td>1/2</td> <td>2900</td> <td>1\"/&gt;  <tr> <td>U-42</td> <td>"</td> <td>"</td> <td>V-675</td> <td>122</td> <td>1/2</td> <td>2900</td> <td>1\"/&gt;  <tr> <td>U-43</td> <td>"</td> <td>"</td> <td>V-675</td> <td>122</td> <td>1/2</td> <td>2900</td> <td>1\"/&gt;  <tr> <td>U-44</td> <td>"</td> <td>"</td> <td>V-675</td> <td>122</td> <td>1/2</td> <td>2900</td> <td>1\"/&gt;  <tr> <td>U-45</td> <td>"</td> <td>"</td> <td>V-675</td> <td>122</td> <td>1/2</td> <td>2900</td> <td>1\"/&gt;  <tr> <td>U-46</td> <td>"</td> <td>"</td> <td>V-675</td> <td>122</td> <td>1/2</td> <td>2900</td> <td>1\"/&gt;  <tr> <td>U-47</td> <td>"</td> <td>"</td> <td>V-675</td> <td>122</td> <td>1/2</td> <td>2900</td> <td>1\"/&gt;  <tr> <td>U-48</td> <td>"</td> <td>"</td> <td>V-675</td> <td>122</td> <td>1/2</td> <td>2900</td> <td>1\"/&gt;  <tr> <td>U-49</td> <td>"</td> <td>"</td> <td>V-675</td> <td>122</td> <td>1/2</td> <td>2900</td> <td>1\"/&gt;  <tr> <td>U-50</td> <td>"</td> <td>"</td> <td>V-675</td> <td>122</td> <td>1/2</td> <td>2900</td> <td>1\"/&gt;  </td></tr></td></tr></td></tr></td></tr></td></tr></td></tr></td></tr></td></tr></td></tr></td></tr></td></tr></td></tr></td></tr></td></tr></td></tr></td></tr></td></tr></td></tr></td></tr></td></tr></td></tr></td></tr></td></tr></td></tr></td></tr></td></tr></td></tr></td></tr></td></tr></td></tr></td></tr></td></tr></td></tr></td></tr></td></tr></td></tr></td></tr></td></tr></td></tr></td></tr></td></tr></td></tr></td></tr></td></tr>  | U-7  | " | " | V-675 | 122 | 1/2 | 2900    | 1\"/> <tr> <td>U-8</td> <td>"</td> <td>"</td> <td>V-675</td> <td>122</td> <td>1/2</td> <td>2900</td> <td>1\"/&gt;  <tr> <td>U-9</td> <td>"</td> <td>"</td> <td>V-675</td> <td>122</td> <td>1/2</td> <td>2900</td> <td>1\"/&gt;  <tr> <td>U-10</td> <td>"</td> <td>"</td> <td>V-675</td> <td>122</td> <td>1/2</td> <td>2900</td> <td>1\"/&gt;  <tr> <td>U-11</td> <td>"</td> <td>"</td> <td>V-675</td> <td>122</td> <td>1/2</td> <td>2900</td> <td>1\"/&gt;  <tr> <td>U-12</td> <td>"</td> <td>"</td> <td>V-675</td> <td>122</td> <td>1/2</td> <td>2900</td> <td>1\"/&gt;  <tr> <td>U-13</td> <td>"</td> <td>"</td> <td>V-675</td> <td>122</td> <td>1/2</td> <td>2900</td> <td>1\"/&gt;  <tr> <td>U-14</td> <td>"</td> <td>"</td> <td>V-675</td> <td>122</td> <td>1/2</td> <td>2900</td> <td>1\"/&gt;  <tr>
<td>U-15</td> <td>"</td> <td>"</td> <td>V-675</td> <td>122</td> <td>1/2</td> <td>2900</td> <td>1\"/&gt;  <tr> <td>U-16</td> <td>"</td> <td>"</td> <td>V-675</td> <td>122</td> <td>1/2</td> <td>2900</td> <td>1\"/&gt;  <tr> <td>U-17</td> <td>"</td> <td>"</td> <td>V-675</td> <td>122</td> <td>1/2</td> <td>2900</td> <td>1\"/&gt;  <tr> <td>U-18</td> <td>"</td> <td>"</td> <td>V-675</td> <td>122</td> <td>1/2</td> <td>2900</td> <td>1\"/&gt;  <tr> <td>U-19</td> <td>"</td> <td>"</td> <td>V-675</td> <td>122</td> <td>1/2</td> <td>2900</td> <td>1\"/&gt;  <tr> <td>U-20</td> <td>"</td> <td>"</td> <td>V-675</td> <td>122</td> <td>1/2</td> <td>2900</td> <td>1\"/&gt;  <tr> <td>U-21</td> <td>"</td> <td>"</td> <td>V-675</td> <td>122</td> <td>1/2</td> <td>2900</td> <td>1\"/&gt;  <tr> <td>U-22</td> <td>"</td> <td>"</td> <td>V-675</td> <td>122</td> <td>1/2</td> <td>2900</td> <td>1\"/&gt;  <tr> <td>U-23</td> <td>"</td> <td>"</td> <td>V-675</td> <td>122</td> <td>1/2</td> <td>2900</td> <td>1\"/&gt;  <tr> <td>U-24</td> <td>"</td> <td>"</td> <td>V-675</td> <td>122</td> <td>1/2</td> <td>2900</td> <td>1\"/&gt;  <tr> <td>U-25</td> <td>"</td> <td>"</td> <td>V-675</td> <td>122</td> <td>1/2</td> <td>2900</td> <td>1\"/&gt;  <tr> <td>U-26</td> <td>"</td> <td>"</td> <td>V-675</td> <td>122</td> <td>1/2</td> <td>2900</td> <td>1\"/&gt;  <tr> <td>U-27</td> <td>"</td> <td>"</td> <td>V-675</td> <td>122</td> <td>1/2</td> <td>2900</td> <td>1\"/&gt;  <tr> <td>U-28</td> <td>"</td> <td>"</td> <td>V-675</td> <td>122</td> <td>1/2</td> <td>2900</td> <td>1\"/&gt;  <tr> <td>U-29</td> <td>"</td> <td>"</td> <td>V-675</td> <td>122</td> <td>1/2</td> <td>2900</td> <td>1\"/&gt;  <tr> <td>U-30</td> <td>"</td> <td>"</td> <td>V-675</td> <td>122</td> <td>1/2</td> <td>2900</td> <td>1\"/&gt;  <tr> <td>U-31</td> <td>"</td> <td>"</td> <td>V-675</td> <td>122</td> <td>1/2</td> <td>2900</td> <td>1\"/&gt;  <tr> <td>U-32</td> <td>"</td> <td>"</td> <td>V-675</td> <td>122</td> <td>1/2</td> <td>2900</td> <td>1\"/&gt;  <tr> <td>U-33</td> <td>"</td> <td>"</td> <td>V-675</td> <td>122</td> <td>1/2</td> <td>2900</td> <td>1\"/&gt;  <tr> <td>U-34</td> <td>"</td> <td>"</td> <td>V-675</td> <td>122</td> <td>1/2</td> <td>2900</td> <td>1\"/&gt;  <tr> <td>U-35</td> <td>"</td> <td>"</td> <td>V-675</td> <td>122</td> <td>1/2</td> <td>2900</td> <td>1\"/&gt;  <tr> <td>U-36</td> <td>"</td> <td>"</td> <td>V-675</td> <td>122</td> <td>1/2</td> <td>2900</td> <td>1\"/&gt;  <tr> <td>U-37</td> <td>"</td> <td>"</td> <td>V-675</td> <td>122</td> <td>1/2</td> <td>2900</td> <td>1\"/&gt;  <tr> <td>U-38</td> <td>"</td> <td>"</td> <td>V-675</td> <td>122</td> <td>1/2</td> <td>2900</td> <td>1\"/&gt;  <tr> <td>U-39</td> <td>"</td> <td>"</td> <td>V-675</td> <td>122</td> <td>1/2</td> <td>2900</td> <td>1\"/&gt;  <tr> <td>U-40</td> <td>"</td> <td>"</td> <td>V-675</td> <td>122</td> <td>1/2</td> <td>2900</td> <td>1\"/&gt;  <tr> <td>U-41</td> <td>"</td> <td>"</td> <td>V-675</td> <td>122</td> <td>1/2</td> <td>2900</td> <td>1\"/&gt;  <tr> <td>U-42</td> <td>"</td> <td>"</td> <td>V-675</td> <td>122</td> <td>1/2</td> <td>2900</td> <td>1\"/&gt;  <tr> <td>U-43</td> <td>"</td> <td>"</td> <td>V-675</td> <td>122</td> <td>1/2</td> <td>2900</td> <td>1\"/&gt;  <tr> <td>U-44</td> <td>"</td> <td>"</td> <td>V-675</td> <td>122</td> <td>1/2</td> <td>2900</td> <td>1\"/&gt;  <tr> <td>U-45</td> <td>"</td> <td>"</td> <td>V-675</td> <td>122</td> <td>1/2</td> <td>2900</td> <td>1\"/&gt;  <tr> <td>U-46</td> <td>"</td> <td>"</td> <td>V-675</td> <td>122</td> <td>1/2</td> <td>2900</td> <td>1\"/&gt;  <tr> <td>U-47</td> <td>"</td> <td>"</td> <td>V-675</td> <td>122</td> <td>1/2</td> <td>2900</td> <td>1\"/&gt;  <tr> <td>U-48</td> <td>"</td> <td>"</td> <td>V-675</td> <td>122</td> <td>1/2</td> <td>2900</td> <td>1\"/&gt;  <tr> <td>U-49</td> <td>"</td> <td>"</td> <td>V-675</td> <td>122</td> <td>1/2</td> <td>2900</td> <td>1\"/&gt;  <tr> <td>U-50</td> <td>"</td> <td>"</td> <td>V-675</td> <td>122</td> <td>1/2</td> <td>2900</td> <td>1\"/&gt;  </td></tr></td></tr></td></tr></td></tr></td></tr></td></tr></td></tr></td></tr></td></tr></td></tr></td></tr></td></tr></td></tr></td></tr></td></tr></td></tr></td></tr></td></tr></td></tr></td></tr></td></tr></td></tr></td></tr></td></tr></td></tr></td></tr></td></tr></td></tr></td></tr></td></tr></td></tr></td></tr></td></tr></td></tr></td></tr></td></tr></td></tr></td></tr></td></tr></td></tr></td></tr></td></tr></td></tr>  | U-8  | "           | "      | V-675  | 122  | 1/2 | 2900 | 1\"/> <tr> <td>U-9</td> <td>"</td> <td>"</td> <td>V-675</td> <td>122</td> <td>1/2</td> <td>2900</td> <td>1\"/&gt;  <tr> <td>U-10</td> <td>"</td> <td>"</td> <td>V-675</td> <td>122</td> <td>1/2</td> <td>2900</td> <td>1\"/&gt;  <tr> <td>U-11</td> <td>"</td> <td>"</td> <td>V-675</td> <td>122</td> <td>1/2</td> <td>2900</td> <td>1\"/&gt;  <tr> <td>U-12</td> <td>"</td> <td>"</td> <td>V-675</td> <td>122</td> <td>1/2</td> <td>2900</td> <td>1\"/&gt;  <tr> <td>U-13</td> <td>"</td> <td>"</td> <td>V-675</td> <td>122</td> <td>1/2</td> <td>2900</td> <td>1\"/&gt;  <tr> <td>U-14</td> <td>"</td> <td>"</td> <td>V-675</td> <td>122</td> <td>1/2</td> <td>2900</td> <td>1\"/&gt;  <tr> <td>U-15</td> <td>"</td> <td>"</td> <td>V-675</td> <td>122</td> <td>1/2</td> <td>2900</td> <td>1\"/&gt;  <tr> <td>U-16</td> <td>"</td> <td>"</td> <td>V-675</td> <td>122</td> <td>1/2</td> <td>2900</td> <td>1\"/&gt;  <tr> <td>U-17</td> <td>"</td> <td>"</td> <td>V-675</td> <td>122</td> <td>1/2</td> <td>2900</td> <td>1\"/&gt;  <tr> <td>U-18</td> <td>"</td> <td>"</td> <td>V-675</td> <td>122</td> <td>1/2</td> <td>2900</td> <td>1\"/&gt;  <tr> <td>U-19</td> <td>"</td> <td>"</td> <td>V-675</td> <td>122</td> <td>1/2</td> <td>2900</td> <td>1\"/&gt;  <tr> <td>U-20</td> <td>"</td> <td>"</td> <td>V-675</td> <td>122</td> <td>1/2</td> <td>2900</td> <td>1\"/&gt;  <tr> <td>U-21</td> <td>"</td> <td>"</td> <td>V-675</td> <td>122</td> <td>1/2</td> <td>2900</td> <td>1\"/&gt;  <tr> <td>U-22</td> <td>"</td> <td>"</td> <td>V-675</td> <td>122</td> <td>1/2</td> <td>2900</td> <td>1\"/&gt;  <tr> <td>U-23</td> <td>"</td> <td>"</td> <td>V-675</td> <td>122</td> <td>1/2</td> <td>2900</td> <td>1\"/&gt;  <tr> <td>U-24</td> <td>"</td> <td>"</td> <td>V-675</td> <td>122</td> <td>1/2</td> <td>2900</td> <td>1\"/&gt;  <tr> <td>U-25</td> <td>"</td> <td>"</td> <td>V-675</td> <td>122</td> <td>1/2</td> <td>2900</td> <td>1\"/&gt;  <tr> <td>U-26</td> <td>"</td> <td>"</td> <td>V-675</td> <td>122</td> <td>1/2</td> <td>2900</td> <td>1\"/&gt;  <tr> <td>U-27</td> <td>"</td> <td>"</td> <td>V-675</td> <td>122</td> <td>1/2</td> <td>2900</td> <td>1\"/&gt;  <tr> <td>U-28</td> <td>"</td> <td>"</td> <td>V-675</td> <td>122</td> <td>1/2</td> <td>2900</td> <td>1\"/&gt;  <tr> <td>U-29</td> <td>"</td> <td>"</td> <td>V-675</td> <td>122</td> <td>1/2</td> <td>2900</td> <td>1\"/&gt;  <tr> <td>U-30</td> <td>"</td> <td>"</td> <td>V-675</td> <td>122</td> <td>1/2</td> <td>2900</td> <td>1\"/&gt;  <tr> <td>U-31</td> <td>"</td> <td>"</td> <td>V-675</td> <td>122</td> <td>1/2</td> <td>2900</td> <td>1\"/&gt;  <tr> <td>U-32</td> <td>"</td> <td>"</td> <td>V-675</td> <td>122</td> <td>1/2</td> <td>2900</td> <td>1\"/&gt;  <tr> <td>U-33</td> <td>"</td> <td>"</td> <td>V-675</td> <td>122</td> <td>1/2</td> <td>2900</td> <td>1\"/&gt;  <tr> <td>U-34</td> <td>"</td> <td>"</td> <td>V-675</td> <td>122</td> <td>1/2</td> <td>2900</td> <td>1\"/&gt;  <tr> <td>U-35</td> <td>"</td> <td>"</td> <td>V-675</td> <td>122</td> <td>1/2</td> <td>2900</td> <td>1\"/&gt;  <tr> <td>U-36</td> <td>"</td> <td>"</td> <td>V-675</td> <td>122</td> <td>1/2</td> <td>2900</td> <td>1\"/&gt;  <tr> <td>U-37</td> <td>"</td> <td>"</td> <td>V-675</td> <td>122</td> <td>1/2</td> <td>2900</td> <td>1\"/&gt;  <tr> <td>U-38</td> <td>"</td> <td>"</td> <td>V-675</td> <td>122</td> <td>1/2</td> <td>2900</td> <td>1\"/&gt;  <tr> <td>U-39</td> <td>"</td> <td>"</td> <td>V-675</td> <td>122</td> <td>1/2</td> <td>2900</td> <td>1\"/&gt;  <tr> <td>U-40</td> <td>"</td> <td>"</td> <td>V-675</td> <td>122</td> <td>1/2</td> <td>2900</td> <td>1\"/&gt;  <tr> <td>U-41</td> <td>"</td> <td>"</td> <td>V-675</td> <td>122</td> <td>1/2</td> <td>2900</td> <td>1\"/&gt;  <tr> <td>U-42</td> <td>"</td> <td>"</td> <td>V-675</td> <td>122</td> <td>1/2</td> <td>2900</td> <td>1\"/&gt;  <tr> <td>U-43</td> <td>"</td> <td>"</td> <td>V-675</td> <td>122</td> <td>1/2</td> <td>2900</td> <td>1\"/&gt;  <tr> <td>U-44</td> <td>"</td> <td>"</td> <td>V-675</td> <td>122</td> <td>1/2</td> <td>2900</td> <td>1\"/&gt;  <tr> <td>U-45</td> <td>"</td> <td>"</td> <td>V-675</td> <td>122</td> <td>1/2</td> <td>2900</td> <td>1\"/&gt;  <tr> <td>U-46</td> <td>"</td> <td>"</td> <td>V-675</td> <td>122</td> <td>1/2</td> <td>2900</td> <td>1\"/&gt;  <tr> <td>U-47</td> <td>"</td> <td>"</td> <td>V-675</td> <td>122</td> <td>1/2</td> <td>2900</td> <td>1\"/&gt;  <tr> <td>U-48</td> <td>"</td> <td>"</td> <td>V-675</td> <td>122</td> <td>1/2</td> <td>2900</td> <td>1\"/&gt;  <tr> <td>U-49</td> <td>"</td> <td>"</td> <td>V-675</td> <td>122</td> <td>1/2</td> <td>2900</td> <td>1\"/&gt;  <tr> <td>U-50</td> <td>"</td> <td>"</td> <td>V-675</td> <td>122</td> <td>1/2</td> <td>2900</td> <td>1\"/&gt;  </td></tr></td></tr></td></tr></td></tr></td></tr></td></tr></td></tr></td></tr></td></tr></td></tr></td></tr></td></tr></td></tr></td></tr></td></tr></td></tr></td></tr></td></tr></td></tr></td></tr></td></tr></td></tr></td></tr></td></tr></td></tr></td></tr></td></tr></td></tr></td></tr></td></tr></td></tr></td></tr></td></tr></td></tr></td></tr></td></tr></td></tr></td></tr></td></tr></td></tr></td></tr></td></tr>  
  | U-9  | " | " | V-675  | 122  | 1/2 | 2900 | 1\"/> <tr> <td>U-10</td> <td>"</td> <td>"</td> <td>V-675</td> <td>122</td> <td>1/2</td> <td>2900</td> <td>1\"/&gt;  <tr> <td>U-11</td> <td>"</td> <td>"</td> <td>V-675</td> <td>122</td> <td>1/2</td> <td>2900</td> <td>1\"/&gt;  <tr> <td>U-12</td> <td>"</td> <td>"</td> <td>V-675</td> <td>122</td> <td>1/2</td> <td>2900</td> <td>1\"/&gt;  <tr> <td>U-13</td> <td>"</td> <td>"</td> <td>V-675</td> <td>122</td> <td>1/2</td> <td>2900</td> <td>1\"/&gt;  <tr> <td>U-14</td> <td>"</td> <td>"</td> <td>V-675</td> <td>122</td> <td>1/2</td> <td>2900</td> <td>1\"/&gt;  <tr> <td>U-15</td> <td>"</td> <td>"</td> <td>V-675</td> <td>122</td> <td>1/2</td> <td>2900</td> <td>1\"/&gt;  <tr> <td>U-16</td> <td>"</td> <td>"</td> <td>V-675</td> <td>122</td> <td>1/2</td> <td>2900</td> <td>1\"/&gt;  <tr> <td>U-17</td> <td>"</td> <td>"</td> <td>V-675</td> <td>122</td> <td>1/2</td> <td>2900</td> <td>1\"/&gt;  <tr> <td>U-18</td> <td>"</td> <td>"</td> <td>V-675</td> <td>122</td> <td>1/2</td> <td>2900</td> <td>1\"/&gt;  <tr> <td>U-19</td> <td>"</td> <td>"</td> <td>V-675</td> <td>122</td> <td>1/2</td> <td>2900</td> <td>1\"/&gt;  <tr> <td>U-20</td> <td>"</td> <td>"</td> <td>V-675</td> <td>122</td> <td>1/2</td> <td>2900</td> <td>1\"/&gt;  <tr> <td>U-21</td> <td>"</td> <td>"</td> <td>V-675</td> <td>122</td> <td>1/2</td> <td>2900</td> <td>1\"/&gt;  <tr> <td>U-22</td> <td>"</td> <td>"</td> <td>V-675</td> <td>122</td> <td>1/2</td> <td>2900</td> <td>1\"/&gt;  <tr> <td>U-23</td> <td>"</td> <td>"</td> <td>V-675</td> <td>122</td> <td>1/2</td> <td>2900</td> <td>1\"/&gt;  <tr> <td>U-24</td> <td>"</td> <td>"</td> <td>V-675</td> <td>122</td> <td>1/2</td> <td>2900</td> <td>1\"/&gt;  <tr> <td>U-25</td> <td>"</td> <td>"</td> <td>V-675</td> <td>122</td> <td>1/2</td> <td>2900</td> <td>1\"/&gt;  <tr> <td>U-26</td> <td>"</td> <td>"</td> <td>V-675</td> <td>122</td> <td>1/2</td> <td>2900</td> <td>1\"/&gt;  <tr> <td>U-27</td> <td>"</td> <td>"</td> <td>V-675</td> <td>122</td> <td>1/2</td> <td>2900</td> <td>1\"/&gt;  <tr> <td>U-28</td> <td>"</td> <td>"</td> <td>V-675</td> <td>122</td> <td>1/2</td> <td>2900</td> <td>1\"/&gt;  <tr> <td>U-29</td> <td>"</td> <td>"</td> <td>V-675</td> <td>122</td> <td>1/2</td> <td>2900</td> <td>1\"/&gt;  <tr> <td>U-30</td> <td>"</td> <td>"</td> <td>V-675</td> <td>122</td> <td>1/2</td> <td>2900</td> <td>1\"/&gt;  <tr> <td>U-31</td> <td>"</td> <td>"</td> <td>V-675</td> <td>122</td> <td>1/2</td> <td>2900</td> <td>1\"/&gt;  <tr> <td>U-32</td> <td>"</td> <td>"</td> <td>V-675</td> <td>122</td> <td>1/2</td> <td>2900</td> <td>1\"/&gt;  <tr> <td>U-33</td> <td>"</td> <td>"</td> <td>V-675</td> <td>122</td> <td>1/2</td> <td>2900</td> <td>1\"/&gt;  <tr> <td>U-34</td> <td>"</td> <td>"</td> <td>V-675</td> <td>122</td> <td>1/2</td> <td>2900</td> <td>1\"/&gt;  <tr> <td>U-35</td> <td>"</td> <td>"</td> <td>V-675</td> <td>122</td> <td>1/2</td> <td>2900</td> <td>1\"/&gt;  <tr> <td>U-36</td> <td>"</td> <td>"</td> <td>V-675</td> <td>122</td> <td>1/2</td> <td>2900</td> <td>1\"/&gt;  <tr> <td>U-37</td> <td>"</td> <td>"</td> <td>V-675</td> <td>122</td> <td>1/2</td> <td>2900</td> <td>1\"/&gt;  <tr> <td>U-38</td> <td>"</td> <td>"</td> <td>V-675</td> <td>122</td> <td>1/2</td> <td>2900</td> <td>1\"/&gt;  <tr> <td>U-39</td> <td>"</td> <td>"</td> <td>V-675</td> <td>122</td> <td>1/2</td> <td>2900</td> <td>1\"/&gt;  <tr> <td>U-40</td> <td>"</td> <td>"</td> <td>V-675</td> <td>122</td> <td>1/2</td> <td>2900</td> <td>1\"/&gt;  <tr> <td>U-41</td> <td>"</td> <td>"</td> <td>V-675</td> <td>122</td> <td>1/2</td> <td>2900</td> <td>1\"/&gt;  <tr> <td>U-42</td> <td>"</td> <td>"</td> <td>V-675</td> <td>122</td> <td>1/2</td> <td>2900</td> <td>1\"/&gt;  <tr> <td>U-43</td> <td>"</td> <td>"</td> <td>V-675</td> <td>122</td> <td>1/2</td> <td>2900</td> <td>1\"/&gt;  <tr> <td>U-44</td> <td>"</td> <td>"</td> <td>V-675</td> <td>122</td> <td>1/2</td> <td>2900</td> <td>1\"/&gt;  <tr> <td>U-45</td> <td>"</td> <td>"</td> <td>V-675</td> <td>122</td> <td>1/2</td> <td>2900</td> <td>1\"/&gt;  <tr> <td>U-46</td> <td>"</td> <td>"</td> <td>V-675</td> <td>122</td> <td>1/2</td> <td>2900</td> <td>1\"/&gt;  <tr> <td>U-47</td> <td>"</td> <td>"</td> <td>V-675</td> <td>122</td> <td>1/2</td> <td>2900</td> <td>1\"/&gt;  <tr> <td>U-48</td> <td>"</td> <td>"</td> <td>V-675</td> <td>122</td> <td>1/2</td> <td>2900</td> <td>1\"/&gt;  <tr> <td>U-49</td> <td>"</td> <td>"</td> <td>V-675</td> <td>122</td> <td>1/2</td> <td>2900</td> <td>1\"/&gt;  <tr> <td>U-50</td> <td>"</td> <td>"</td> <td>V-675</td> <td>122</td> <td>1/2</td> <td>2900</td> <td>1\"/&gt;  </td></tr></td></tr></td></tr></td></tr></td></tr></td></tr></td></tr></td></tr></td></tr></td></tr></td></tr></td></tr></td></tr></td></tr></td></tr></td></tr></td></tr></td></tr></td></tr></td></tr></td></tr></td></tr></td></tr></td></tr></td></tr></td></tr></td></tr></td></tr></td></tr></td></tr></td></tr></td></tr></td></tr></td></tr></td></tr></td></tr></td></tr></td></tr></td></tr></td></tr></td></tr>   | U-10 | " | " | V-675  | 122 | 1/2 | 2900 | 1\"/> <tr> <td>U-11</td> <td>"</td> <td>"</td> <td>V-675</td> <td>122</td> <td>1/2</td> <td>2900</td> <td>1\"/&gt;  <tr> <td>U-12</td> <td>"</td> <td>"</td> <td>V-675</td> <td>122</td> <td>1/2</td> <td>2900</td> <td>1\"/&gt;  <tr> <td>U-13</td> <td>"</td> <td>"</td> <td>V-675</td> <td>122</td> <td>1/2</td> <td>2900</td> <td>1\"/&gt;  <tr> <td>U-14</td> <td>"</td> <td>"</td> <td>V-675</td> <td>122</td> <td>1/2</td> <td>2900</td> <td>1\"/&gt;  <tr> <td>U-15</td> <td>"</td> <td>"</td> <td>V-675</td> <td>122</td> <td>1/2</td> <td>2900</td> <td>1\"/&gt;  <tr> <td>U-16</td> <td>"</td> <td>"</td> <td>V-675</td> <td>122</td> <td>1/2</td> <td>2900</td> <td>1\"/&gt;  <tr> <td>U-17</td> <td>"</td> <td>"</td> <td>V-675</td> <td>122</td> <td>1/2</td> <td>2900</td> <td>1\"/&gt;  <tr> <td>U-18</td> <td>"</td> <td>"</td> <td>V-675</td> <td>122</td> <td>1/2</td> <td>2900</td> <td>1\"/&gt;  <tr> <td>U-19</td> <td>"</td> <td>"</td> <td>V-675</td> <td>122</td> <td>1/2</td> <td>2900</td> <td>1\"/&gt;  <tr> <td>U-20</td> <td>"</td> <td>"</td> <td>V-675</td> <td>122</td> <td>1/2</td> <td>2900</td> <td>1\"/&gt;  <tr> <td>U-21</td> <td>"</td> <td>"</td> <td>V-675</td> <td>122</td> <td>1/2</td> <td>2900</td> <td>1\"/&gt;  <tr> <td>U-22</td> <td>"</td> <td>"</td> <td>V-675</td> <td>122</td> <td>1/2</td> <td>2900</td> <td>1\"/&gt;  <tr> <td>U-23</td> <td>"</td> <td>"</td> <td>V-675</td> <td>122</td> <td>1/2</td> <td>2900</td> <td>1\"/&gt;  <tr> <td>U-24</td> <td>"</td> <td>"</td> <td>V-675</td> <td>122</td> <td>1/2</td> <td>2900</td> <td>1\"/&gt;  <tr> <td>U-25</td> <td>"</td> <td>"</td> <td>V-675</td> <td>122</td> <td>1/2</td> <td>2900</td> <td>1\"/&gt;  <tr> <td>U-26</td> <td>"</td> <td>"</td> <td>V-675</td> <td>122</td> <td>1/2</td> <td>2900</td> <td>1\"/&gt;  <tr> <td>U-27</td> <td>"</td> <td>"</td> <td>V-675</td> <td>122</td> <td>1/2</td> <td>2900</td> <td>1\"/&gt;  <tr> <td>U-28</td> <td>"</td> <td>"</td> <td>V-675</td> <td>122</td> <td>1/2</td> <td>2900</td> <td>1\"/&gt;  <tr> <td>U-29</td> <td>"</td> <td>"</td> <td>V-675</td> <td>122</td> <td>1/2</td> <td>2900</td> <td>1\"/&gt;  <tr> <td>U-30</td> <td>"</td> <td>"</td> <td>V-675</td> <td>122</td> <td>1/2</td> <td>2900</td> <td>1\"/&gt;  <tr> <td>U-31</td> <td>"</td> <td>"</td> <td>V-675</td> <td>122</td> <td>1/2</td> <td>2900</td> <td>1\"/&gt;  <tr> <td>U-32</td> <td>"</td> <td>"</td> <td>V-675</td> <td>122</td> <td>1/2</td> <td>2900</td> <td>1\"/&gt;  <tr> <td>U-33</td> <td>"</td> <td>"</td> <td>V-675</td> <td>122</td> <td>1/2</td> <td>2900</td> <td>1\"/&gt;  <tr> <td>U-34</td> <td>"</td> <td>"</td> <td>V-675</td> <td>122</td> <td>1/2</td> <td>2900</td> <td>1\"/&gt;  <tr> <td>U-35</td> <td>"</td> <td>"</td> <td>V-675</td> <td>122</td> <td>1/2</td> <td>2900</td> <td>1\"/&gt;  <tr> <td>U-36</td> <td>"</td> <td>"</td> <td>V-675</td> <td>122</td> <td>1/2</td> <td>2900</td> <td>1\"/&gt;  <tr> <td>U-37</td> <td>"</td> <td>"</td> <td>V-675</td> <td>122</td> <td>1/2</td> <td>2900</td> <td>1\"/&gt;  <tr> <td>U-38</td> <td>"</td> <td>"</td> <td>V-675</td> <td>122</td> <td>1/2</td> <td>2900</td> <td>1\"/&gt;  <tr> <td>U-39</td> <td>"</td> <td>"</td> <td>V-675</td> <td>122</td> <td>1/2</td> <td>2900</td> <td>1\"/&gt;  <tr> <td>U-40</td> <td>"</td> <td>"</td> <td>V-675</td> <td>122</td> <td>1/2</td> <td>2900</td> <td>1\"/&gt;  <tr> <td>U-41</td> <td>"</td> <td>"</td> <td>V-675</td> <td>122</td> <td>1/2</td> <td>2900</td> <td>1\"/&gt;  <tr> <td>U-42</td> <td>"</td> <td>"</td> <td>V-675</td> <td>122</td> <td>1/2</td> <td>2900</td> <td>1\"/&gt;  <tr> <td>U-43</td> <td>"</td> <td>"</td> <td>V-675</td> <td>122</td> <td>1/2</td> <td>2900</td> <td>1\"/&gt;  <tr> <td>U-44</td> <td>"</td> <td>"</td> <td>V-675</td>
<td>122</td> <td>1/2</td> <td>2900</td> <td>1\"/&gt;  <tr> <td>U-45</td> <td>"</td> <td>"</td> <td>V-675</td> <td>122</td> <td>1/2</td> <td>2900</td> <td>1\"/&gt;  <tr> <td>U-46</td> <td>"</td> <td>"</td> <td>V-675</td> <td>122</td> <td>1/2</td> <td>2900</td> <td>1\"/&gt;  <tr> <td>U-47</td> <td>"</td> <td>"</td> <td>V-675</td> <td>122</td> <td>1/2</td> <td>2900</td> <td>1\"/&gt;  <tr> <td>U-48</td> <td>"</td> <td>"</td> <td>V-675</td> <td>122</td> <td>1/2</td> <td>2900</td> <td>1\"/&gt;  <tr> <td>U-49</td> <td>"</td> <td>"</td> <td>V-675</td> <td>122</td> <td>1/2</td> <td>2900</td> <td>1\"/&gt;  <tr> <td>U-50</td> <td>"</td> <td>"</td> <td>V-675</td> <td>122</td> <td>1/2</td> <td>2900</td> <td>1\"/&gt;  </td></tr></td></tr></td></tr></td></tr></td></tr></td></tr></td></tr></td></tr></td></tr></td></tr></td></tr></td></tr></td></tr></td></tr></td></tr></td></tr></td></tr></td></tr></td></tr></td></tr></td></tr></td></tr></td></tr></td></tr></td></tr></td></tr></td></tr></td></tr></td></tr></td></tr></td></tr></td></tr></td></tr></td></tr></td></tr></td></tr></td></tr></td></tr></td></tr></td></tr>   | U-11 | " | " | V-675 | 122 | 1/2 | 2900 | 1\"/> <tr> <td>U-12</td> <td>"</td> <td>"</td> <td>V-675</td> <td>122</td> <td>1/2</td> <td>2900</td> <td>1\"/&gt;  <tr> <td>U-13</td> <td>"</td> <td>"</td> <td>V-675</td> <td>122</td> <td>1/2</td> <td>2900</td> <td>1\"/&gt;  <tr> <td>U-14</td> <td>"</td> <td>"</td> <td>V-675</td> <td>122</td> <td>1/2</td> <td>2900</td> <td>1\"/&gt;  <tr> <td>U-15</td> <td>"</td> <td>"</td> <td>V-675</td> <td>122</td> <td>1/2</td> <td>2900</td> <td>1\"/&gt;  <tr> <td>U-16</td> <td>"</td> <td>"</td> <td>V-675</td> <td>122</td> <td>1/2</td> <td>2900</td> <td>1\"/&gt;  <tr> <td>U-17</td> <td>"</td> <td>"</td> <td>V-675</td> <td>122</td> <td>1/2</td> <td>2900</td> <td>1\"/&gt;  <tr> <td>U-18</td> <td>"</td> <td>"</td> <td>V-675</td> <td>122</td> <td>1/2</td> <td>2900</td> <td>1\"/&gt;  <tr> <td>U-19</td> <td>"</td> <td>"</td> <td>V-675</td> <td>122</td> <td>1/2</td> <td>2900</td> <td>1\"/&gt;  <tr> <td>U-20</td> <td>"</td> <td>"</td> <td>V-675</td> <td>122</td> <td>1/2</td> <td>2900</td> <td>1\"/&gt;  <tr> <td>U-21</td> <td>"</td> <td>"</td> <td>V-675</td> <td>122</td> <td>1/2</td> <td>2900</td> <td>1\"/&gt;  <tr> <td>U-22</td> <td>"</td> <td>"</td> <td>V-675</td> <td>122</td> <td>1/2</td> <td>2900</td> <td>1\"/&gt;  <tr> <td>U-23</td> <td>"</td> <td>"</td> <td>V-675</td> <td>122</td> <td>1/2</td> <td>2900</td> <td>1\"/&gt;  <tr> <td>U-24</td> <td>"</td> <td>"</td> <td>V-675</td> <td>122</td> <td>1/2</td> <td>2900</td> <td>1\"/&gt;  <tr> <td>U-25</td> <td>"</td> <td>"</td> <td>V-675</td> <td>122</td> <td>1/2</td> <td>2900</td> <td>1\"/&gt;  <tr> <td>U-26</td> <td>"</td> <td>"</td> <td>V-675</td> <td>122</td> <td>1/2</td> <td>2900</td> <td>1\"/&gt;  <tr> <td>U-27</td> <td>"</td> <td>"</td> <td>V-675</td> <td>122</td> <td>1/2</td> <td>2900</td> <td>1\"/&gt;  <tr> <td>U-28</td> <td>"</td> <td>"</td> <td>V-675</td> <td>122</td> <td>1/2</td> <td>2900</td> <td>1\"/&gt;  <tr> <td>U-29</td> <td>"</td> <td>"</td> <td>V-675</td> <td>122</td> <td>1/2</td> <td>2900</td> <td>1\"/&gt;  <tr> <td>U-30</td> <td>"</td> <td>"</td> <td>V-675</td> <td>122</td> <td>1/2</td> <td>2900</td> <td>1\"/&gt;  <tr> <td>U-31</td> <td>"</td> <td>"</td> <td>V-675</td> <td>122</td> <td>1/2</td> <td>2900</td> <td>1\"/&gt;  <tr> <td>U-32</td> <td>"</td> <td>"</td> <td>V-675</td> <td>122</td> <td>1/2</td> <td>2900</td> <td>1\"/&gt;  <tr> <td>U-33</td> <td>"</td> <td>"</td> <td>V-675</td> <td>122</td> <td>1/2</td> <td>2900</td> <td>1\"/&gt;  <tr> <td>U-34</td> <td>"</td> <td>"</td> <td>V-675</td> <td>122</td> <td>1/2</td> <td>2900</td> <td>1\"/&gt;  <tr> <td>U-35</td> <td>"</td> <td>"</td> <td>V-675</td> <td>122</td> <td>1/2</td> <td>2900</td> <td>1\"/&gt;  <tr> <td>U-36</td> <td>"</td> <td>"</td> <td>V-675</td> <td>122</td> <td>1/2</td> <td>2900</td> <td>1\"/&gt;  <tr> <td>U-37</td> <td>"</td> <td>"</td> <td>V-675</td> <td>122</td> <td>1/2</td> <td>2900</td> <td>1\"/&gt;  <tr> <td>U-38</td> <td>"</td> <td>"</td> <td>V-675</td> <td>122</td> <td>1/2</td> <td>2900</td> <td>1\"/&gt;  <tr> <td>U-39</td> <td>"</td> <td>"</td> <td>V-675</td> <td>122</td> <td>1/2</td> <td>2900</td> <td>1\"/&gt;  <tr> <td>U-40</td> <td>"</td> <td>"</td> <td>V-675</td> <td>122</td> <td>1/2</td> <td>2900</td> <td>1\"/&gt;  <tr> <td>U-41</td> <td>"</td> <td>"</td> <td>V-675</td> <td>122</td> <td>1/2</td> <td>2900</td> <td>1\"/&gt;  <tr> <td>U-42</td> <td>"</td> <td>"</td> <td>V-675</td> <td>122</td> <td>1/2</td> <td>2900</td> <td>1\"/&gt;  <tr> <td>U-43</td> <td>"</td> <td>"</td> <td>V-675</td> <td>122</td> <td>1/2</td> <td>2900</td> <td>1\"/&gt;  <tr> <td>U-44</td> <td>"</td> <td>"</td> <td>V-675</td> <td>122</td> <td>1/2</td> <td>2900</td> <td>1\"/&gt;  <tr> <td>U-45</td> <td>"</td> <td>"</td> <td>V-675</td> <td>122</td> <td>1/2</td> <td>2900</td> <td>1\"/&gt;  <tr> <td>U-46</td> <td>"</td> <td>"</td> <td>V-675</td> <td>122</td> <td>1/2</td> <td>2900</td> <td>1\"/&gt;  <tr> <td>U-47</td> <td>"</td> <td>"</td> <td>V-675</td> <td>122</td> <td>1/2</td> <td>2900</td> <td>1\"/&gt;  <tr> <td>U-48</td> <td>"</td> <td>"</td> <td>V-675</td> <td>122</td> <td>1/2</td> <td>2900</td> <td>1\"/&gt;  <tr> <td>U-49</td> <td>"</td> <td>"</td> <td>V-675</td> <td>122</td> <td>1/2</td> <td>2900</td> <td>1\"/&gt;  <tr> <td>U-50</td> <td>"</td> <td>"</td> <td>V-675</td> <td>122</td> <td>1/2</td> <td>2900</td> <td>1\"/&gt;  </td></tr></td></tr></td></tr></td></tr></td></tr></td></tr></td></tr></td></tr></td></tr></td></tr></td></tr></td></tr></td></tr></td></tr></td></tr></td></tr></td></tr></td></tr></td></tr></td></tr></td></tr></td></tr></td></tr></td></tr></td></tr></td></tr></td></tr></td></tr></td></tr></td></tr></td></tr></td></tr></td></tr></td></tr></td></tr></td></tr></td></tr></td></tr></td></tr>  | U-12 | " | " | V-675 | 122 | 1/2 | 2900 | 1\"/> <tr> <td>U-13</td> <td>"</td> <td>"</td> <td>V-675</td> <td>122</td> <td>1/2</td> <td>2900</td> <td>1\"/&gt;  <tr> <td>U-14</td> <td>"</td> <td>"</td> <td>V-675</td> <td>122</td> <td>1/2</td> <td>2900</td> <td>1\"/&gt;  <tr> <td>U-15</td> <td>"</td> <td>"</td> <td>V-675</td> <td>122</td> <td>1/2</td> <td>2900</td> <td>1\"/&gt;  <tr> <td>U-16</td> <td>"</td> <td>"</td> <td>V-675</td> <td>122</td> <td>1/2</td> <td>2900</td> <td>1\"/&gt;  <tr> <td>U-17</td> <td>"</td> <td>"</td> <td>V-675</td> <td>122</td> <td>1/2</td> <td>2900</td> <td>1\"/&gt;  <tr> <td>U-18</td> <td>"</td> <td>"</td> <td>V-675</td> <td>122</td> <td>1/2</td> <td>2900</td> <td>1\"/&gt;  <tr> <td>U-19</td> <td>"</td> <td>"</td> <td>V-675</td> <td>122</td> <td>1/2</td> <td>2900</td> <td>1\"/&gt;  <tr> <td>U-20</td> <td>"</td> <td>"</td> <td>V-675</td> <td>122</td> <td>1/2</td> <td>2900</td> <td>1\"/&gt;  <tr> <td>U-21</td> <td>"</td> <td>"</td> <td>V-675</td> <td>122</td> <td>1/2</td> <td>2900</td> <td>1\"/&gt;  <tr> <td>U-22</td> <td>"</td> <td>"</td> <td>V-675</td> <td>122</td> <td>1/2</td> <td>2900</td> <td>1\"/&gt;  <tr> <td>U-23</td> <td>"</td> <td>"</td> <td>V-675</td> <td>122</td> <td>1/2</td> <td>2900</td> <td>1\"/&gt;  <tr> <td>U-24</td> <td>"</td> <td>"</td> <td>V-675</td> <td>122</td> <td>1/2</td> <td>2900</td> <td>1\"/&gt;  <tr> <td>U-25</td> <td>"</td> <td>"</td> <td>V-675</td> <td>122</td> <td>1/2</td> <td>2900</td> <td>1\"/&gt;  <tr> <td>U-26</td> <td>"</td> <td>"</td> <td>V-675</td> <td>122</td> <td>1/2</td> <td>2900</td> <td>1\"/&gt;  <tr> <td>U-27</td> <td>"</td> <td>"</td> <td>V-675</td> <td>122</td> <td>1/2</td> <td>2900</td> <td>1\"/&gt;  <tr> <td>U-28</td> <td>"</td> <td>"</td> <td>V-675</td> <td>122</td> <td>1/2</td> <td>2900</td> <td>1\"/&gt;  <tr> <td>U-29</td> <td>"</td> <td>"</td> <td>V-675</td> <td>122</td> <td>1/2</td> <td>2900</td> <td>1\"/&gt;  <tr> <td>U-30</td> <td>"</td> <td>"</td> <td>V-675</td> <td>122</td> <td>1/2</td> <td>2900</td> <td>1\"/&gt;  <tr> <td>U-31</td> <td>"</td> <td>"</td> <td>V-675</td> <td>122</td> <td>1/2</td> <td>2900</td> <td>1\"/&gt;  <tr> <td>U-32</td> <td>"</td> <td>"</td> <td>V-675</td> <td>122</td> <td>1/2</td> <td>2900</td> <td>1\"/&gt;  <tr> <td>U-33</td> <td>"</td> <td>"</td> <td>V-675</td> <td>122</td> <td>1/2</td> <td>2900</td> <td>1\"/&gt;  <tr> <td>U-34</td> <td>"</td> <td>"</td> <td>V-675</td> <td>122</td> <td>1/2</td> <td>2900</td> <td>1\"/&gt;  <tr>
<td>U-35</td> <td>"</td> <td>"</td> <td>V-675</td> <td>122</td> <td>1/2</td> <td>2900</td> <td>1\"/&gt;  <tr> <td>U-36</td> <td>"</td> <td>"</td> <td>V-675</td> <td>122</td> <td>1/2</td> <td>2900</td> <td>1\"/&gt;  <tr> <td>U-37</td> <td>"</td> <td>"</td> <td>V-675</td> <td>122</td> <td>1/2</td> <td>2900</td> <td>1\"/&gt;  <tr> <td>U-38</td> <td>"</td> <td>"</td> <td>V-675</td> <td>122</td> <td>1/2</td> <td>2900</td> <td>1\"/&gt;  <tr> <td>U-39</td> <td>"</td> <td>"</td> <td>V-675</td> <td>122</td> <td>1/2</td> <td>2900</td> <td>1\"/&gt;  <tr> <td>U-40</td> <td>"</td> <td>"</td> <td>V-675</td> <td>122</td> <td>1/2</td> <td>2900</td> <td>1\"/&gt;  <tr> <td>U-41</td> <td>"</td> <td>"</td> <td>V-675</td> <td>122</td> <td>1/2</td> <td>2900</td> <td>1\"/&gt;  <tr> <td>U-42</td> <td>"</td> <td>"</td> <td>V-675</td> <td>122</td> <td>1/2</td> <td>2900</td> <td>1\"/&gt;  <tr> <td>U-43</td> <td>"</td> <td>"</td> <td>V-675</td> <td>122</td> <td>1/2</td> <td>2900</td> <td>1\"/&gt;  <tr> <td>U-44</td> <td>"</td> <td>"</td> <td>V-675</td> <td>122</td> <td>1/2</td> <td>2900</td> <td>1\"/&gt;  <tr> <td>U-45</td> <td>"</td> <td>"</td> <td>V-675</td> <td>122</td> <td>1/2</td> <td>2900</td> <td>1\"/&gt;  <tr> <td>U-46</td> <td>"</td> <td>"</td> <td>V-675</td> <td>122</td> <td>1/2</td> <td>2900</td> <td>1\"/&gt;  <tr> <td>U-47</td> <td>"</td> <td>"</td> <td>V-675</td> <td>122</td> <td>1/2</td> <td>2900</td> <td>1\"/&gt;  <tr> <td>U-48</td> <td>"</td> <td>"</td> <td>V-675</td> <td>122</td> <td>1/2</td> <td>2900</td> <td>1\"/&gt;  <tr> <td>U-49</td> <td>"</td> <td>"</td> <td>V-675</td> <td>122</td> <td>1/2</td> <td>2900</td> <td>1\"/&gt;  <tr> <td>U-50</td> <td>"</td> <td>"</td> <td>V-675</td> <td>122</td> <td>1/2</td> <td>2900</td> <td>1\"/&gt;  </td></tr></td></tr></td></tr></td></tr></td></tr></td></tr></td></tr></td></tr></td></tr></td></tr></td></tr></td></tr></td></tr></td></tr></td></tr></td></tr></td></tr></td></tr></td></tr></td></tr></td></tr></td></tr></td></tr></td></tr></td></tr></td></tr></td></tr></td></tr></td></tr></td></tr></td></tr></td></tr></td></tr></td></tr></td></tr></td></tr></td></tr></td></tr>   | U-13 | " | " | V-675 | 122 | 1/2 | 2900 | 1\"/> <tr> <td>U-14</td> <td>"</td> <td>"</td> <td>V-675</td> <td>122</td> <td>1/2</td> <td>2900</td> <td>1\"/&gt;  <tr> <td>U-15</td> <td>"</td> <td>"</td> <td>V-675</td> <td>122</td> <td>1/2</td> <td>2900</td> <td>1\"/&gt;  <tr> <td>U-16</td> <td>"</td> <td>"</td> <td>V-675</td> <td>122</td> <td>1/2</td> <td>2900</td> <td>1\"/&gt;  <tr> <td>U-17</td> <td>"</td> <td>"</td> <td>V-675</td> <td>122</td> <td>1/2</td> <td>2900</td> <td>1\"/&gt;  <tr> <td>U-18</td> <td>"</td> <td>"</td> <td>V-675</td> <td>122</td> <td>1/2</td> <td>2900</td> <td>1\"/&gt;  <tr> <td>U-19</td> <td>"</td> <td>"</td> <td>V-675</td> <td>122</td> <td>1/2</td> <td>2900</td> <td>1\"/&gt;  <tr> <td>U-20</td> <td>"</td> <td>"</td> <td>V-675</td> <td>122</td> <td>1/2</td> <td>2900</td> <td>1\"/&gt;  <tr> <td>U-21</td> <td>"</td> <td>"</td> <td>V-675</td> <td>122</td> <td>1/2</td> <td>2900</td> <td>1\"/&gt;  <tr> <td>U-22</td> <td>"</td> <td>"</td> <td>V-675</td> <td>122</td> <td>1/2</td> <td>2900</td> <td>1\"/&gt;  <tr> <td>U-23</td> <td>"</td> <td>"</td> <td>V-675</td> <td>122</td> <td>1/2</td> <td>2900</td> <td>1\"/&gt;  <tr> <td>U-24</td> <td>"</td> <td>"</td> <td>V-675</td> <td>122</td> <td>1/2</td> <td>2900</td> <td>1\"/&gt;  <tr> <td>U-25</td> <td>"</td> <td>"</td> <td>V-675</td> <td>122</td> <td>1/2</td> <td>2900</td> <td>1\"/&gt;  <tr> <td>U-26</td> <td>"</td> <td>"</td> <td>V-675</td> <td>122</td> <td>1/2</td> <td>2900</td> <td>1\"/&gt;  <tr> <td>U-27</td> <td>"</td> <td>"</td> <td>V-675</td> <td>122</td> <td>1/2</td> <td>2900</td> <td>1\"/&gt;  <tr> <td>U-28</td> <td>"</td> <td>"</td> <td>V-675</td> <td>122</td> <td>1/2</td> <td>2900</td> <td>1\"/&gt;  <tr> <td>U-29</td> <td>"</td> <td>"</td> <td>V-675</td> <td>122</td> <td>1/2</td> <td>2900</td> <td>1\"/&gt;  <tr> <td>U-30</td> <td>"</td> <td>"</td> <td>V-675</td> <td>122</td> <td>1/2</td> <td>2900</td> <td>1\"/&gt;  <tr> <td>U-31</td> <td>"</td> <td>"</td> <td>V-675</td> <td>122</td> <td>1/2</td> <td>2900</td> <td>1\"/&gt;  <tr> <td>U-32</td> <td>"</td> <td>"</td> <td>V-675</td> <td>122</td> <td>1/2</td> <td>2900</td> <td>1\"/&gt;  <tr> <td>U-33</td> <td>"</td> <td>"</td> <td>V-675</td> <td>122</td> <td>1/2</td> <td>2900</td> <td>1\"/&gt;  <tr> <td>U-34</td> <td>"</td> <td>"</td> <td>V-675</td> <td>122</td> <td>1/2</td> <td>2900</td> <td>1\"/&gt;  <tr> <td>U-35</td> <td>"</td> <td>"</td> <td>V-675</td> <td>122</td> <td>1/2</td> <td>2900</td> <td>1\"/&gt;  <tr> <td>U-36</td> <td>"</td> <td>"</td> <td>V-675</td> <td>122</td> <td>1/2</td> <td>2900</td> <td>1\"/&gt;  <tr> <td>U-37</td> <td>"</td> <td>"</td> <td>V-675</td> <td>122</td> <td>1/2</td> <td>2900</td> <td>1\"/&gt;  <tr> <td>U-38</td> <td>"</td> <td>"</td> <td>V-675</td> <td>122</td> <td>1/2</td> <td>2900</td> <td>1\"/&gt;  <tr> <td>U-39</td> <td>"</td> <td>"</td> <td>V-675</td> <td>122</td> <td>1/2</td> <td>2900</td> <td>1\"/&gt;  <tr> <td>U-40</td> <td>"</td> <td>"</td> <td>V-675</td> <td>122</td> <td>1/2</td> <td>2900</td> <td>1\"/&gt;  <tr> <td>U-41</td> <td>"</td> <td>"</td> <td>V-675</td> <td>122</td> <td>1/2</td> <td>2900</td> <td>1\"/&gt;  <tr> <td>U-42</td> <td>"</td> <td>"</td> <td>V-675</td> <td>122</td> <td>1/2</td> <td>2900</td> <td>1\"/&gt;  <tr> <td>U-43</td> <td>"</td> <td>"</td> <td>V-675</td> <td>122</td> <td>1/2</td> <td>2900</td> <td>1\"/&gt;  <tr> <td>U-44</td> <td>"</td> <td>"</td> <td>V-675</td> <td>122</td> <td>1/2</td> <td>2900</td> <td>1\"/&gt;  <tr> <td>U-45</td> <td>"</td> <td>"</td> <td>V-675</td> <td>122</td> <td>1/2</td> <td>2900</td> <td>1\"/&gt;  <tr> <td>U-46</td> <td>"</td> <td>"</td> <td>V-675</td> <td>122</td> <td>1/2</td> <td>2900</td> <td>1\"/&gt;  <tr> <td>U-47</td> <td>"</td> <td>"</td> <td>V-675</td> <td>122</td> <td>1/2</td> <td>2900</td> <td>1\"/&gt;  <tr> <td>U-48</td> <td>"</td> <td>"</td> <td>V-675</td> <td>122</td> <td>1/2</td> <td>2900</td> <td>1\"/&gt;  <tr> <td>U-49</td> <td>"</td> <td>"</td> <td>V-675</td> <td>122</td> <td>1/2</td> <td>2900</td> <td>1\"/&gt;  <tr> <td>U-50</td> <td>"</td> <td>"</td> <td>V-675</td> <td>122</td> <td>1/2</td> <td>2900</td> <td>1\"/&gt;  </td></tr></td></tr></td></tr></td></tr></td></tr></td></tr></td></tr></td></tr></td></tr></td></tr></td></tr></td></tr></td></tr></td></tr></td></tr></td></tr></td></tr></td></tr></td></tr></td></tr></td></tr></td></tr></td></tr></td></tr></td></tr></td></tr></td></tr></td></tr></td></tr></td></tr></td></tr></td></tr></td></tr></td></tr></td></tr></td></tr></td></tr>  | U-14 | " | " | V-675 | 122 | 1/2 | 2900 | 1\"/> <tr> <td>U-15</td> <td>"</td> <td>"</td> <td>V-675</td> <td>122</td> <td>1/2</td> <td>2900</td> <td>1\"/&gt;  <tr> <td>U-16</td> <td>"</td> <td>"</td> <td>V-675</td> <td>122</td> <td>1/2</td> <td>2900</td> <td>1\"/&gt;  <tr> <td>U-17</td> <td>"</td> <td>"</td> <td>V-675</td> <td>122</td> <td>1/2</td> <td>2900</td> <td>1\"/&gt;  <tr> <td>U-18</td> <td>"</td> <td>"</td> <td>V-675</td> <td>122</td> <td>1/2</td> <td>2900</td> <td>1\"/&gt;  <tr> <td>U-19</td> <td>"</td> <td>"</td> <td>V-675</td> <td>122</td> <td>1/2</td> <td>2900</td> <td>1\"/&gt;  <tr> <td>U-20</td> <td>"</td> <td>"</td> <td>V-675</td> <td>122</td> <td>1/2</td> <td>2900</td> <td>1\"/&gt;  <tr> <td>U-21</td> <td>"</td> <td>"</td> <td>V-675</td> <td>122</td> <td>1/2</td> <td>2900</td> <td>1\"/&gt;  <tr> <td>U-22</td> <td>"</td> <td>"</td> <td>V-675</td> <td>122</td> <td>1/2</td> <td>2900</td> <td>1\"/&gt;  <tr> <td>U-23</td> <td>"</td> <td>"</td> <td>V-675</td> <td>122</td> <td>1/2</td> <td>2900</td> <td>1\"/&gt;  <tr> <td>U-24</td> <td>"</td> <td>"</td> <td>V-675</td> <td>122</td> <td>1/2</td> <td>2900</td> <td>1\"/&gt;  <tr> <td>U-25</td> <td>"</td> <td>"</td> <td>V-675</td> <td>122</td> <td>1/2</td> <td>2900</td> <td>1\"/&gt;  <tr> <td>U-26</td> <td>"</td> <td>"</td> <td>V-675</td> <td>122</td> <td>1/2</td> <td>2900</td> <td>1\"/&gt;  <tr> <td>U-27</td> <td>"</td> <td>"</td> <td>V-675</td> <td>122</td> <td>1/2</td> <td>2900</td> <td>1\"/&gt;  <tr> <td>U-28</td> <td>"</td> <td>"</td> <td>V-675</td> <td>122</td> <td>1/2</td> <td>2900</td> <td>1\"/&gt;  <tr> <td>U-29</td> <td>"</td> <td>"</td> <td>V-675</td> <td>122</td> <td>1/2</td> <td>2900</td> <td>1\"/&gt; 
<tr> <td>U-30</td> <td>"</td> <td>"</td> <td>V-675</td> <td>122</td> <td>1/2</td> <td>2900</td> <td>1\"/&gt;  <tr> <td>U-31</td> <td>"</td> <td>"</td> <td>V-675</td> <td>122</td> <td>1/2</td> <td>2900</td> <td>1\"/&gt;  <tr> <td>U-32</td> <td>"</td> <td>"</td> <td>V-675</td> <td>122</td> <td>1/2</td> <td>2900</td> <td>1\"/&gt;  <tr> <td>U-33</td> <td>"</td> <td>"</td> <td>V-675</td> <td>122</td> <td>1/2</td> <td>2900</td> <td>1\"/&gt;  <tr> <td>U-34</td> <td>"</td> <td>"</td> <td>V-675</td> <td>122</td> <td>1/2</td> <td>2900</td> <td>1\"/&gt;  <tr> <td>U-35</td> <td>"</td> <td>"</td> <td>V-675</td> <td>122</td> <td>1/2</td> <td>2900</td> <td>1\"/&gt;  <tr> <td>U-36</td> <td>"</td> <td>"</td> <td>V-675</td> <td>122</td> <td>1/2</td> <td>2900</td> <td>1\"/&gt;  <tr> <td>U-37</td> <td>"</td> <td>"</td> <td>V-675</td> <td>122</td> <td>1/2</td> <td>2900</td> <td>1\"/&gt;  <tr> <td>U-38</td> <td>"</td> <td>"</td> <td>V-675</td> <td>122</td> <td>1/2</td> <td>2900</td> <td>1\"/&gt;  <tr> <td>U-39</td> <td>"</td> <td>"</td> <td>V-675</td> <td>122</td> <td>1/2</td> <td>2900</td> <td>1\"/&gt;  <tr> <td>U-40</td> <td>"</td> <td>"</td> <td>V-675</td> <td>122</td> <td>1/2</td> <td>2900</td> <td>1\"/&gt;  <tr> <td>U-41</td> <td>"</td> <td>"</td> <td>V-675</td> <td>122</td> <td>1/2</td> <td>2900</td> <td>1\"/&gt;  <tr> <td>U-42</td> <td>"</td> <td>"</td> <td>V-675</td> <td>122</td> <td>1/2</td> <td>2900</td> <td>1\"/&gt;  <tr> <td>U-43</td> <td>"</td> <td>"</td> <td>V-675</td> <td>122</td> <td>1/2</td> <td>2900</td> <td>1\"/&gt;  <tr> <td>U-44</td> <td>"</td> <td>"</td> <td>V-675</td> <td>122</td> <td>1/2</td> <td>2900</td> <td>1\"/&gt;  <tr> <td>U-45</td> <td>"</td> <td>"</td> <td>V-675</td> <td>122</td> <td>1/2</td> <td>2900</td> <td>1\"/&gt;  <tr> <td>U-46</td> <td>"</td> <td>"</td> <td>V-675</td> <td>122</td> <td>1/2</td> <td>2900</td> <td>1\"/&gt;  <tr> <td>U-47</td> <td>"</td> <td>"</td> <td>V-675</td> <td>122</td> <td>1/2</td> <td>2900</td> <td>1\"/&gt;  <tr> <td>U-48</td> <td>"</td> <td>"</td> <td>V-675</td> <td>122</td> <td>1/2</td> <td>2900</td> <td>1\"/&gt;  <tr> <td>U-49</td> <td>"</td> <td>"</td> <td>V-675</td> <td>122</td> <td>1/2</td> <td>2900</td> <td>1\"/&gt;  <tr> <td>U-50</td> <td>"</td> <td>"</td> <td>V-675</td> <td>122</td> <td>1/2</td> <td>2900</td> <td>1\"/&gt;  </td></tr></td></tr></td></tr></td></tr></td></tr></td></tr></td></tr></td></tr></td></tr></td></tr></td></tr></td></tr></td></tr></td></tr></td></tr></td></tr></td></tr></td></tr></td></tr></td></tr></td></tr></td></tr></td></tr></td></tr></td></tr></td></tr></td></tr></td></tr></td></tr></td></tr></td></tr></td></tr></td></tr></td></tr></td></tr></td></tr>   | U-15 | " | " | V-675 | 122 | 1/2 | 2900 | 1\"/> <tr> <td>U-16</td> <td>"</td> <td>"</td> <td>V-675</td> <td>122</td> <td>1/2</td> <td>2900</td> <td>1\"/&gt;  <tr> <td>U-17</td> <td>"</td> <td>"</td> <td>V-675</td> <td>122</td> <td>1/2</td> <td>2900</td> <td>1\"/&gt;  <tr> <td>U-18</td> <td>"</td> <td>"</td> <td>V-675</td> <td>122</td> <td>1/2</td> <td>2900</td> <td>1\"/&gt;  <tr> <td>U-19</td> <td>"</td> <td>"</td> <td>V-675</td> <td>122</td> <td>1/2</td> <td>2900</td> <td>1\"/&gt;  <tr> <td>U-20</td> <td>"</td> <td>"</td> <td>V-675</td> <td>122</td> <td>1/2</td> <td>2900</td> <td>1\"/&gt;  <tr> <td>U-21</td> <td>"</td> <td>"</td> <td>V-675</td> <td>122</td> <td>1/2</td> <td>2900</td> <td>1\"/&gt;  <tr> <td>U-22</td> <td>"</td> <td>"</td> <td>V-675</td> <td>122</td> <td>1/2</td> <td>2900</td> <td>1\"/&gt;  <tr> <td>U-23</td> <td>"</td> <td>"</td> <td>V-675</td> <td>122</td> <td>1/2</td> <td>2900</td> <td>1\"/&gt;  <tr> <td>U-24</td> <td>"</td> <td>"</td> <td>V-675</td> <td>122</td> <td>1/2</td> <td>2900</td> <td>1\"/&gt;  <tr> <td>U-25</td> <td>"</td> <td>"</td> <td>V-675</td> <td>122</td> <td>1/2</td> <td>2900</td> <td>1\"/&gt;  <tr> <td>U-26</td> <td>"</td> <td>"</td> <td>V-675</td> <td>122</td> <td>1/2</td> <td>2900</td> <td>1\"/&gt;  <tr> <td>U-27</td> <td>"</td> <td>"</td> <td>V-675</td> <td>122</td> <td>1/2</td> <td>2900</td> <td>1\"/&gt;  <tr> <td>U-28</td> <td>"</td> <td>"</td> <td>V-675</td> <td>122</td> <td>1/2</td> <td>2900</td> <td>1\"/&gt;  <tr> <td>U-29</td> <td>"</td> <td>"</td> <td>V-675</td> <td>122</td> <td>1/2</td> <td>2900</td> <td>1\"/&gt;  <tr> <td>U-30</td> <td>"</td> <td>"</td> <td>V-675</td> <td>122</td> <td>1/2</td> <td>2900</td> <td>1\"/&gt;  <tr> <td>U-31</td> <td>"</td> <td>"</td> <td>V-675</td> <td>122</td> <td>1/2</td> <td>2900</td> <td>1\"/&gt;  <tr> <td>U-32</td> <td>"</td> <td>"</td> <td>V-675</td> <td>122</td> <td>1/2</td> <td>2900</td> <td>1\"/&gt;  <tr> <td>U-33</td> <td>"</td> <td>"</td> <td>V-675</td> <td>122</td> <td>1/2</td> <td>2900</td> <td>1\"/&gt;  <tr> <td>U-34</td> <td>"</td> <td>"</td> <td>V-675</td> <td>122</td> <td>1/2</td> <td>2900</td> <td>1\"/&gt;  <tr> <td>U-35</td> <td>"</td> <td>"</td> <td>V-675</td> <td>122</td> <td>1/2</td> <td>2900</td> <td>1\"/&gt;  <tr> <td>U-36</td> <td>"</td> <td>"</td> <td>V-675</td> <td>122</td> <td>1/2</td> <td>2900</td> <td>1\"/&gt;  <tr> <td>U-37</td> <td>"</td> <td>"</td> <td>V-675</td> <td>122</td> <td>1/2</td> <td>2900</td> <td>1\"/&gt;  <tr> <td>U-38</td> <td>"</td> <td>"</td> <td>V-675</td> <td>122</td> <td>1/2</td> <td>2900</td> <td>1\"/&gt;  <tr> <td>U-39</td> <td>"</td> <td>"</td> <td>V-675</td> <td>122</td> <td>1/2</td> <td>2900</td> <td>1\"/&gt;  <tr> <td>U-40</td> <td>"</td> <td>"</td> <td>V-675</td> <td>122</td> <td>1/2</td> <td>2900</td> <td>1\"/&gt;  <tr> <td>U-41</td> <td>"</td> <td>"</td> <td>V-675</td> <td>122</td> <td>1/2</td> <td>2900</td> <td>1\"/&gt;  <tr> <td>U-42</td> <td>"</td> <td>"</td> <td>V-675</td> <td>122</td> <td>1/2</td> <td>2900</td> <td>1\"/&gt;  <tr> <td>U-43</td> <td>"</td> <td>"</td> <td>V-675</td> <td>122</td> <td>1/2</td> <td>2900</td> <td>1\"/&gt;  <tr> <td>U-44</td> <td>"</td> <td>"</td> <td>V-675</td> <td>122</td> <td>1/2</td> <td>2900</td> <td>1\"/&gt;  <tr> <td>U-45</td> <td>"</td> <td>"</td> <td>V-675</td> <td>122</td> <td>1/2</td> <td>2900</td> <td>1\"/&gt;  <tr> <td>U-46</td> <td>"</td> <td>"</td> <td>V-675</td> <td>122</td> <td>1/2</td> <td>2900</td> <td>1\"/&gt;  <tr> <td>U-47</td> <td>"</td> <td>"</td> <td>V-675</td> <td>122</td> <td>1/2</td> <td>2900</td> <td>1\"/&gt;  <tr> <td>U-48</td> <td>"</td> <td>"</td> <td>V-675</td> <td>122</td> <td>1/2</td> <td>2900</td> <td>1\"/&gt;  <tr> <td>U-49</td> <td>"</td> <td>"</td> <td>V-675</td> <td>122</td> <td>1/2</td> <td>2900</td> <td>1\"/&gt;  <tr> <td>U-50</td> <td>"</td> <td>"</td> <td>V-675</td> <td>122</td> <td>1/2</td> <td>2900</td> <td>1\"/&gt;  </td></tr></td></tr></td></tr></td></tr></td></tr></td></tr></td></tr></td></tr></td></tr></td></tr></td></tr></td></tr></td></tr></td></tr></td></tr></td></tr></td></tr></td></tr></td></tr></td></tr></td></tr></td></tr></td></tr></td></tr></td></tr></td></tr></td></tr></td></tr></td></tr></td></tr></td></tr></td></tr></td></tr></td></tr></td></tr>  | U-16 | " | " | V-675 | 122 | 1/2 | 2900 | 1\"/> <tr> <td>U-17</td> <td>"</td> <td>"</td> <td>V-675</td> <td>122</td> <td>1/2</td> <td>2900</td> <td>1\"/&gt;  <tr> <td>U-18</td> <td>"</td> <td>"</td> <td>V-675</td> <td>122</td> <td>1/2</td> <td>2900</td> <td>1\"/&gt;  <tr> <td>U-19</td> <td>"</td> <td>"</td> <td>V-675</td> <td>122</td> <td>1/2</td> <td>2900</td> <td>1\"/&gt;  <tr> <td>U-20</td> <td>"</td> <td>"</td> <td>V-675</td> <td>122</td> <td>1/2</td> <td>2900</td> <td>1\"/&gt;  <tr> <td>U-21</td> <td>"</td> <td>"</td> <td>V-675</td> <td>122</td> <td>1/2</td> <td>2900</td> <td>1\"/&gt;  <tr> <td>U-22</td> <td>"</td> <td>"</td> <td>V-675</td> <td>122</td> <td>1/2</td> <td>2900</td> <td>1\"/&gt;  <tr> <td>U-23</td> <td>"</td> <td>"</td> <td>V-675</td> <td>122</td> <td>1/2</td> <td>2900</td> <td>1\"/&gt;  <tr> <td>U-24</td> <td>"</td> <td>"</td> <td>V-675</td> <td>122</td> <td>1/2</td> <td>2900</td> <td>1\"/&gt;  <tr> <td>U-25</td> <td>"</td> <td>"</td> <td>V-675</td> <td>122</td> <td>1/2</td> <td>2900</td> <td>1\"/&gt;  <tr> <td>U-26</td> <td>"</td> <td>"</td> <td>V-675</td> <td>122</td> <td>1/2</td> <td>2900</td> <td>1\"/&gt;  <tr> <td>U-27</td> <td>"</td> <td>"</td> <td>V-675</td> <td>122</td> <td>1/2</td> <td>2900</td> <td>1\"/&gt;  <tr> <td>U-28</td> <td>"</td> <td>"</td> <td>V-675</td> <td>122</td> <td>1/2</td> <td>2900</td> <td>1\"/&gt;  <tr> <td>U-29</td> <td>"</td>
<td>"</td> <td>V-675</td> <td>122</td> <td>1/2</td> <td>2900</td> <td>1\"/&gt;  <tr> <td>U-30</td> <td>"</td> <td>"</td> <td>V-675</td> <td>122</td> <td>1/2</td> <td>2900</td> <td>1\"/&gt;  <tr> <td>U-31</td> <td>"</td> <td>"</td> <td>V-675</td> <td>122</td> <td>1/2</td> <td>2900</td> <td>1\"/&gt;  <tr> <td>U-32</td> <td>"</td> <td>"</td> <td>V-675</td> <td>122</td> <td>1/2</td> <td>2900</td> <td>1\"/&gt;  <tr> <td>U-33</td> <td>"</td> <td>"</td> <td>V-675</td> <td>122</td> <td>1/2</td> <td>2900</td> <td>1\"/&gt;  <tr> <td>U-34</td> <td>"</td> <td>"</td> <td>V-675</td> <td>122</td> <td>1/2</td> <td>2900</td> <td>1\"/&gt;  <tr> <td>U-35</td> <td>"</td> <td>"</td> <td>V-675</td> <td>122</td> <td>1/2</td> <td>2900</td> <td>1\"/&gt;  <tr> <td>U-36</td> <td>"</td> <td>"</td> <td>V-675</td> <td>122</td> <td>1/2</td> <td>2900</td> <td>1\"/&gt;  <tr> <td>U-37</td> <td>"</td> <td>"</td> <td>V-675</td> <td>122</td> <td>1/2</td> <td>2900</td> <td>1\"/&gt;  <tr> <td>U-38</td> <td>"</td> <td>"</td> <td>V-675</td> <td>122</td> <td>1/2</td> <td>2900</td> <td>1\"/&gt;  <tr> <td>U-39</td> <td>"</td> <td>"</td> <td>V-675</td> <td>122</td> <td>1/2</td> <td>2900</td> <td>1\"/&gt;  <tr> <td>U-40</td> <td>"</td> <td>"</td> <td>V-675</td> <td>122</td> <td>1/2</td> <td>2900</td> <td>1\"/&gt;  <tr> <td>U-41</td> <td>"</td> <td>"</td> <td>V-675</td> <td>122</td> <td>1/2</td> <td>2900</td> <td>1\"/&gt;  <tr> <td>U-42</td> <td>"</td> <td>"</td> <td>V-675</td> <td>122</td> <td>1/2</td> <td>2900</td> <td>1\"/&gt;  <tr> <td>U-43</td> <td>"</td> <td>"</td> <td>V-675</td> <td>122</td> <td>1/2</td> <td>2900</td> <td>1\"/&gt;  <tr> <td>U-44</td> <td>"</td> <td>"</td> <td>V-675</td> <td>122</td> <td>1/2</td> <td>2900</td> <td>1\"/&gt;  <tr> <td>U-45</td> <td>"</td> <td>"</td> <td>V-675</td> <td>122</td> <td>1/2</td> <td>2900</td> <td>1\"/&gt;  <tr> <td>U-46</td> <td>"</td> <td>"</td> <td>V-675</td> <td>122</td> <td>1/2</td> <td>2900</td> <td>1\"/&gt;  <tr> <td>U-47</td> <td>"</td> <td>"</td> <td>V-675</td> <td>122</td> <td>1/2</td> <td>2900</td> <td>1\"/&gt;  <tr> <td>U-48</td> <td>"</td> <td>"</td> <td>V-675</td> <td>122</td> <td>1/2</td> <td>2900</td> <td>1\"/&gt;  <tr> <td>U-49</td> <td>"</td> <td>"</td> <td>V-675</td> <td>122</td> <td>1/2</td> <td>2900</td> <td>1\"/&gt;  <tr> <td>U-50</td> <td>"</td> <td>"</td> <td>V-675</td> <td>122</td> <td>1/2</td> <td>2900</td> <td>1\"/&gt;  </td></tr></td></tr></td></tr></td></tr></td></tr></td></tr></td></tr></td></tr></td></tr></td></tr></td></tr></td></tr></td></tr></td></tr></td></tr></td></tr></td></tr></td></tr></td></tr></td></tr></td></tr></td></tr></td></tr></td></tr></td></tr></td></tr></td></tr></td></tr></td></tr></td></tr></td></tr></td></tr></td></tr></td></tr>   | U-17 | " | " | V-675 | 122 | 1/2 | 2900 | 1\"/> <tr> <td>U-18</td> <td>"</td> <td>"</td> <td>V-675</td> <td>122</td> <td>1/2</td> <td>2900</td> <td>1\"/&gt;  <tr> <td>U-19</td> <td>"</td> <td>"</td> <td>V-675</td> <td>122</td> <td>1/2</td> <td>2900</td> <td>1\"/&gt;  <tr> <td>U-20</td> <td>"</td> <td>"</td> <td>V-675</td> <td>122</td> <td>1/2</td> <td>2900</td> <td>1\"/&gt;  <tr> <td>U-21</td> <td>"</td> <td>"</td> <td>V-675</td> <td>122</td> <td>1/2</td> <td>2900</td> <td>1\"/&gt;  <tr> <td>U-22</td> <td>"</td> <td>"</td> <td>V-675</td> <td>122</td> <td>1/2</td> <td>2900</td> <td>1\"/&gt;  <tr> <td>U-23</td> <td>"</td> <td>"</td> <td>V-675</td> <td>122</td> <td>1/2</td> <td>2900</td> <td>1\"/&gt;  <tr> <td>U-24</td> <td>"</td> <td>"</td> <td>V-675</td> <td>122</td> <td>1/2</td> <td>2900</td> <td>1\"/&gt;  <tr> <td>U-25</td> <td>"</td> <td>"</td> <td>V-675</td> <td>122</td> <td>1/2</td> <td>2900</td> <td>1\"/&gt;  <tr> <td>U-26</td> <td>"</td> <td>"</td> <td>V-675</td> <td>122</td> <td>1/2</td> <td>2900</td> <td>1\"/&gt;  <tr> <td>U-27</td> <td>"</td> <td>"</td> <td>V-675</td> <td>122</td> <td>1/2</td> <td>2900</td> <td>1\"/&gt;  <tr> <td>U-28</td> <td>"</td> <td>"</td> <td>V-675</td> <td>122</td> <td>1/2</td> <td>2900</td> <td>1\"/&gt;  <tr> <td>U-29</td> <td>"</td> <td>"</td> <td>V-675</td> <td>122</td> <td>1/2</td> <td>2900</td> <td>1\"/&gt;  <tr> <td>U-30</td> <td>"</td> <td>"</td> <td>V-675</td> <td>122</td> <td>1/2</td> <td>2900</td> <td>1\"/&gt;  <tr> <td>U-31</td> <td>"</td> <td>"</td> <td>V-675</td> <td>122</td> <td>1/2</td> <td>2900</td> <td>1\"/&gt;  <tr> <td>U-32</td> <td>"</td> <td>"</td> <td>V-675</td> <td>122</td> <td>1/2</td> <td>2900</td> <td>1\"/&gt;  <tr> <td>U-33</td> <td>"</td> <td>"</td> <td>V-675</td> <td>122</td> <td>1/2</td> <td>2900</td> <td>1\"/&gt;  <tr> <td>U-34</td> <td>"</td> <td>"</td> <td>V-675</td> <td>122</td> <td>1/2</td> <td>2900</td> <td>1\"/&gt;  <tr> <td>U-35</td> <td>"</td> <td>"</td> <td>V-675</td> <td>122</td> <td>1/2</td> <td>2900</td> <td>1\"/&gt;  <tr> <td>U-36</td> <td>"</td> <td>"</td> <td>V-675</td> <td>122</td> <td>1/2</td> <td>2900</td> <td>1\"/&gt;  <tr> <td>U-37</td> <td>"</td> <td>"</td> <td>V-675</td> <td>122</td> <td>1/2</td> <td>2900</td> <td>1\"/&gt;  <tr> <td>U-38</td> <td>"</td> <td>"</td> <td>V-675</td> <td>122</td> <td>1/2</td> <td>2900</td> <td>1\"/&gt;  <tr> <td>U-39</td> <td>"</td> <td>"</td> <td>V-675</td> <td>122</td> <td>1/2</td> <td>2900</td> <td>1\"/&gt;  <tr> <td>U-40</td> <td>"</td> <td>"</td> <td>V-675</td> <td>122</td> <td>1/2</td> <td>2900</td> <td>1\"/&gt;  <tr> <td>U-41</td> <td>"</td> <td>"</td> <td>V-675</td> <td>122</td> <td>1/2</td> <td>2900</td> <td>1\"/&gt;  <tr> <td>U-42</td> <td>"</td> <td>"</td> <td>V-675</td> <td>122</td> <td>1/2</td> <td>2900</td> <td>1\"/&gt;  <tr> <td>U-43</td> <td>"</td> <td>"</td> <td>V-675</td> <td>122</td> <td>1/2</td> <td>2900</td> <td>1\"/&gt;  <tr> <td>U-44</td> <td>"</td> <td>"</td> <td>V-675</td> <td>122</td> <td>1/2</td> <td>2900</td> <td>1\"/&gt;  <tr> <td>U-45</td> <td>"</td> <td>"</td> <td>V-675</td> <td>122</td> <td>1/2</td> <td>2900</td> <td>1\"/&gt;  <tr> <td>U-46</td> <td>"</td> <td>"</td> <td>V-675</td> <td>122</td> <td>1/2</td> <td>2900</td> <td>1\"/&gt;  <tr> <td>U-47</td> <td>"</td> <td>"</td> <td>V-675</td> <td>122</td> <td>1/2</td> <td>2900</td> <td>1\"/&gt;  <tr> <td>U-48</td> <td>"</td> <td>"</td> <td>V-675</td> <td>122</td> <td>1/2</td> <td>2900</td> <td>1\"/&gt;  <tr> <td>U-49</td> <td>"</td> <td>"</td> <td>V-675</td> <td>122</td> <td>1/2</td> <td>2900</td> <td>1\"/&gt;  <tr> <td>U-50</td> <td>"</td> <td>"</td> <td>V-675</td> <td>122</td> <td>1/2</td> <td>2900</td> <td>1\"/&gt;  </td></tr></td></tr></td></tr></td></tr></td></tr></td></tr></td></tr></td></tr></td></tr></td></tr></td></tr></td></tr></td></tr></td></tr></td></tr></td></tr></td></tr></td></tr></td></tr></td></tr></td></tr></td></tr></td></tr></td></tr></td></tr></td></tr></td></tr></td></tr></td></tr></td></tr></td></tr></td></tr></td></tr>   | U-18 | " | " | V-675 | 122 | 1/2 | 2900 | 1\"/> <tr> <td>U-19</td> <td>"</td> <td>"</td> <td>V-675</td> <td>122</td> <td>1/2</td> <td>2900</td> <td>1\"/&gt;  <tr> <td>U-20</td> <td>"</td> <td>"</td> <td>V-675</td> <td>122</td> <td>1/2</td> <td>2900</td> <td>1\"/&gt;  <tr> <td>U-21</td> <td>"</td> <td>"</td> <td>V-675</td> <td>122</td> <td>1/2</td> <td>2900</td> <td>1\"/&gt;  <tr> <td>U-22</td> <td>"</td> <td>"</td> <td>V-675</td> <td>122</td> <td>1/2</td> <td>2900</td> <td>1\"/&gt;  <tr> <td>U-23</td> <td>"</td> <td>"</td> <td>V-675</td> <td>122</td> <td>1/2</td> <td>2900</td> <td>1\"/&gt;  <tr> <td>U-24</td> <td>"</td> <td>"</td> <td>V-675</td> <td>122</td> <td>1/2</td> <td>2900</td> <td>1\"/&gt;  <tr> <td>U-25</td> <td>"</td> <td>"</td> <td>V-675</td> <td>122</td> <td>1/2</td> <td>2900</td> <td>1\"/&gt;  <tr> <td>U-26</td> <td>"</td> <td>"</td> <td>V-675</td> <td>122</td> <td>1/2</td> <td>2900</td> <td>1\"/&gt;  <tr> <td>U-27</td> <td>"</td> <td>"</td> <td>V-675</td> <td>122</td> <td>1/2</td> <td>2900</td> <td>1\"/&gt;  <tr> <td>U-28</td> <td>"</td> <td>"</td> <td>V-675</td> <td>122</td> <td>1/2</td> <td>2900</td> <td>1\"/&gt;  <tr> <td>U-29</td> <td>"</td> <td>"</td> <td>V-675</td> <td>122</td> <td>1/2</td> <td>2900</td> <td>1\"/&gt;  <tr> <td>U-30</td> <td>"</td> <td>"</td> <td>V-675</td> <td>122</td> <td>1/2</td> <td>2900</td> <td>1\"/&gt;  <tr> <td>U-31</td> <td>"</td> <td>"</td> <td>V-675</td> <td>122</td> <td>1/2</td> <td>2900</td> <td>1\"/&gt;  <tr> <td>U-32</td> <td>"</td> <td>"</td> <td>V-675</td> <td>122</td> <td>1/2</td> <td>2900</td>
<td>1\"/&gt;  <tr> <td>U-33</td> <td>"</td> <td>"</td> <td>V-675</td> <td>122</td> <td>1/2</td> <td>2900</td> <td>1\"/&gt;  <tr> <td>U-34</td> <td>"</td> <td>"</td> <td>V-675</td> <td>122</td> <td>1/2</td> <td>2900</td> <td>1\"/&gt;  <tr> <td>U-35</td> <td>"</td> <td>"</td> <td>V-675</td> <td>122</td> <td>1/2</td> <td>2900</td> <td>1\"/&gt;  <tr> <td>U-36</td> <td>"</td> <td>"</td> <td>V-675</td> <td>122</td> <td>1/2</td> <td>2900</td> <td>1\"/&gt;  <tr> <td>U-37</td> <td>"</td> <td>"</td> <td>V-675</td> <td>122</td> <td>1/2</td> <td>2900</td> <td>1\"/&gt;  <tr> <td>U-38</td> <td>"</td> <td>"</td> <td>V-675</td> <td>122</td> <td>1/2</td> <td>2900</td> <td>1\"/&gt;  <tr> <td>U-39</td> <td>"</td> <td>"</td> <td>V-675</td> <td>122</td> <td>1/2</td> <td>2900</td> <td>1\"/&gt;  <tr> <td>U-40</td> <td>"</td> <td>"</td> <td>V-675</td> <td>122</td> <td>1/2</td> <td>2900</td> <td>1\"/&gt;  <tr> <td>U-41</td> <td>"</td> <td>"</td> <td>V-675</td> <td>122</td> <td>1/2</td> <td>2900</td> <td>1\"/&gt;  <tr> <td>U-42</td> <td>"</td> <td>"</td> <td>V-675</td> <td>122</td> <td>1/2</td> <td>2900</td> <td>1\"/&gt;  <tr> <td>U-43</td> <td>"</td> <td>"</td> <td>V-675</td> <td>122</td> <td>1/2</td> <td>2900</td> <td>1\"/&gt;  <tr> <td>U-44</td> <td>"</td> <td>"</td> <td>V-675</td> <td>122</td> <td>1/2</td> <td>2900</td> <td>1\"/&gt;  <tr> <td>U-45</td> <td>"</td> <td>"</td> <td>V-675</td> <td>122</td> <td>1/2</td> <td>2900</td> <td>1\"/&gt;  <tr> <td>U-46</td> <td>"</td> <td>"</td> <td>V-675</td> <td>122</td> <td>1/2</td> <td>2900</td> <td>1\"/&gt;  <tr> <td>U-47</td> <td>"</td> <td>"</td> <td>V-675</td> <td>122</td> <td>1/2</td> <td>2900</td> <td>1\"/&gt;  <tr> <td>U-48</td> <td>"</td> <td>"</td> <td>V-675</td> <td>122</td> <td>1/2</td> <td>2900</td> <td>1\"/&gt;  <tr> <td>U-49</td> <td>"</td> <td>"</td> <td>V-675</td> <td>122</td> <td>1/2</td> <td>2900</td> <td>1\"/&gt;  <tr> <td>U-50</td> <td>"</td> <td>"</td> <td>V-675</td> <td>122</td> <td>1/2</td> <td>2900</td> <td>1\"/&gt;  </td></tr></td></tr></td></tr></td></tr></td></tr></td></tr></td></tr></td></tr></td></tr></td></tr></td></tr></td></tr></td></tr></td></tr></td></tr></td></tr></td></tr></td></tr></td></tr></td></tr></td></tr></td></tr></td></tr></td></tr></td></tr></td></tr></td></tr></td></tr></td></tr></td></tr></td></tr></td></tr>   | U-19 | " | " | V-675 | 122 | 1/2 | 2900 | 1\"/> <tr> <td>U-20</td> <td>"</td> <td>"</td> <td>V-675</td> <td>122</td> <td>1/2</td> <td>2900</td> <td>1\"/&gt;  <tr> <td>U-21</td> <td>"</td> <td>"</td> <td>V-675</td> <td>122</td> <td>1/2</td> <td>2900</td> <td>1\"/&gt;  <tr> <td>U-22</td> <td>"</td> <td>"</td> <td>V-675</td> <td>122</td> <td>1/2</td> <td>2900</td> <td>1\"/&gt;  <tr> <td>U-23</td> <td>"</td> <td>"</td> <td>V-675</td> <td>122</td> <td>1/2</td> <td>2900</td> <td>1\"/&gt;  <tr> <td>U-24</td> <td>"</td> <td>"</td> <td>V-675</td> <td>122</td> <td>1/2</td> <td>2900</td> <td>1\"/&gt;  <tr> <td>U-25</td> <td>"</td> <td>"</td> <td>V-675</td> <td>122</td> <td>1/2</td> <td>2900</td> <td>1\"/&gt;  <tr> <td>U-26</td> <td>"</td> <td>"</td> <td>V-675</td> <td>122</td> <td>1/2</td> <td>2900</td> <td>1\"/&gt;  <tr> <td>U-27</td> <td>"</td> <td>"</td> <td>V-675</td> <td>122</td> <td>1/2</td> <td>2900</td> <td>1\"/&gt;  <tr> <td>U-28</td> <td>"</td> <td>"</td> <td>V-675</td> <td>122</td> <td>1/2</td> <td>2900</td> <td>1\"/&gt;  <tr> <td>U-29</td> <td>"</td> <td>"</td> <td>V-675</td> <td>122</td> <td>1/2</td> <td>2900</td> <td>1\"/&gt;  <tr> <td>U-30</td> <td>"</td> <td>"</td> <td>V-675</td> <td>122</td> <td>1/2</td> <td>2900</td> <td>1\"/&gt;  <tr> <td>U-31</td> <td>"</td> <td>"</td> <td>V-675</td> <td>122</td> <td>1/2</td> <td>2900</td> <td>1\"/&gt;  <tr> <td>U-32</td> <td>"</td> <td>"</td> <td>V-675</td> <td>122</td> <td>1/2</td> <td>2900</td> <td>1\"/&gt;  <tr> <td>U-33</td> <td>"</td> <td>"</td> <td>V-675</td> <td>122</td> <td>1/2</td> <td>2900</td> <td>1\"/&gt;  <tr> <td>U-34</td> <td>"</td> <td>"</td> <td>V-675</td> <td>122</td> <td>1/2</td> <td>2900</td> <td>1\"/&gt;  <tr> <td>U-35</td> <td>"</td> <td>"</td> <td>V-675</td> <td>122</td> <td>1/2</td> <td>2900</td> <td>1\"/&gt;  <tr> <td>U-36</td> <td>"</td> <td>"</td> <td>V-675</td> <td>122</td> <td>1/2</td> <td>2900</td> <td>1\"/&gt;  <tr> <td>U-37</td> <td>"</td> <td>"</td> <td>V-675</td> <td>122</td> <td>1/2</td> <td>2900</td> <td>1\"/&gt;  <tr> <td>U-38</td> <td>"</td> <td>"</td> <td>V-675</td> <td>122</td> <td>1/2</td> <td>2900</td> <td>1\"/&gt;  <tr> <td>U-39</td> <td>"</td> <td>"</td> <td>V-675</td> <td>122</td> <td>1/2</td> <td>2900</td> <td>1\"/&gt;  <tr> <td>U-40</td> <td>"</td> <td>"</td> <td>V-675</td> <td>122</td> <td>1/2</td> <td>2900</td> <td>1\"/&gt;  <tr> <td>U-41</td> <td>"</td> <td>"</td> <td>V-675</td> <td>122</td> <td>1/2</td> <td>2900</td> <td>1\"/&gt;  <tr> <td>U-42</td> <td>"</td> <td>"</td> <td>V-675</td> <td>122</td> <td>1/2</td> <td>2900</td> <td>1\"/&gt;  <tr> <td>U-43</td> <td>"</td> <td>"</td> <td>V-675</td> <td>122</td> <td>1/2</td> <td>2900</td> <td>1\"/&gt;  <tr> <td>U-44</td> <td>"</td> <td>"</td> <td>V-675</td> <td>122</td> <td>1/2</td> <td>2900</td> <td>1\"/&gt;  <tr> <td>U-45</td> <td>"</td> <td>"</td> <td>V-675</td> <td>122</td> <td>1/2</td> <td>2900</td> <td>1\"/&gt;  <tr> <td>U-46</td> <td>"</td> <td>"</td> <td>V-675</td> <td>122</td> <td>1/2</td> <td>2900</td> <td>1\"/&gt;  <tr> <td>U-47</td> <td>"</td> <td>"</td> <td>V-675</td> <td>122</td> <td>1/2</td> <td>2900</td> <td>1\"/&gt;  <tr> <td>U-48</td> <td>"</td> <td>"</td> <td>V-675</td> <td>122</td> <td>1/2</td> <td>2900</td> <td>1\"/&gt;  <tr> <td>U-49</td> <td>"</td> <td>"</td> <td>V-675</td> <td>122</td> <td>1/2</td> <td>2900</td> <td>1\"/&gt;  <tr> <td>U-50</td> <td>"</td> <td>"</td> <td>V-675</td> <td>122</td> <td>1/2</td> <td>2900</td> <td>1\"/&gt;  </td></tr></td></tr></td></tr></td></tr></td></tr></td></tr></td></tr></td></tr></td></tr></td></tr></td></tr></td></tr></td></tr></td></tr></td></tr></td></tr></td></tr></td></tr></td></tr></td></tr></td></tr></td></tr></td></tr></td></tr></td></tr></td></tr></td></tr></td></tr></td></tr></td></tr></td></tr>   | U-20 | " | " | V-675 | 122 | 1/2 | 2900 | 1\"/> <tr> <td>U-21</td> <td>"</td> <td>"</td> <td>V-675</td> <td>122</td> <td>1/2</td> <td>2900</td> <td>1\"/&gt;  <tr> <td>U-22</td> <td>"</td> <td>"</td> <td>V-675</td> <td>122</td> <td>1/2</td> <td>2900</td> <td>1\"/&gt;  <tr> <td>U-23</td> <td>"</td> <td>"</td> <td>V-675</td> <td>122</td> <td>1/2</td> <td>2900</td> <td>1\"/&gt;  <tr> <td>U-24</td> <td>"</td> <td>"</td> <td>V-675</td> <td>122</td> <td>1/2</td> <td>2900</td> <td>1\"/&gt;  <tr> <td>U-25</td> <td>"</td> <td>"</td> <td>V-675</td> <td>122</td> <td>1/2</td> <td>2900</td> <td>1\"/&gt;  <tr> <td>U-26</td> <td>"</td> <td>"</td> <td>V-675</td> <td>122</td> <td>1/2</td> <td>2900</td> <td>1\"/&gt;  <tr> <td>U-27</td> <td>"</td> <td>"</td> <td>V-675</td> <td>122</td> <td>1/2</td> <td>2900</td> <td>1\"/&gt;  <tr> <td>U-28</td> <td>"</td> <td>"</td> <td>V-675</td> <td>122</td> <td>1/2</td> <td>2900</td> <td>1\"/&gt;  <tr> <td>U-29</td> <td>"</td> <td>"</td> <td>V-675</td> <td>122</td> <td>1/2</td> <td>2900</td> <td>1\"/&gt;  <tr> <td>U-30</td> <td>"</td> <td>"</td> <td>V-675</td> <td>122</td> <td>1/2</td> <td>2900</td> <td>1\"/&gt;  <tr> <td>U-31</td> <td>"</td> <td>"</td> <td>V-675</td> <td>122</td> <td>1/2</td> <td>2900</td> <td>1\"/&gt;  <tr> <td>U-32</td> <td>"</td> <td>"</td> <td>V-675</td> <td>122</td> <td>1/2</td> <td>2900</td> <td>1\"/&gt;  <tr> <td>U-33</td> <td>"</td> <td>"</td> <td>V-675</td> <td>122</td> <td>1/2</td> <td>2900</td> <td>1\"/&gt;  <tr> <td>U-34</td> <td>"</td> <td>"</td> <td>V-675</td> <td>122</td> <td>1/2</td> <td>2900</td> <td>1\"/&gt;  <tr> <td>U-35</td> <td>"</td> <td>"</td> <td>V-675</td> <td>122</td> <td>1/2</td> <td>2900</td> <td>1\"/&gt;  <tr> <td>U-36</td> <td>"</td> <td>"</td> <td>V-675</td> <td>122</td> <td>1/2</td> <td>2900</td> <td>1\"/&gt;  <tr> <td>U-37</td> <td>"</td> <td>"</td> <td>V-675</td> <td>122</td> <td>1/2</td> <td>2900</td> <td>1\"/&gt;  <tr> <td>U-38</td> <td>"</td> <td>"</td> <td>V-675</td> <td>122</td> <td>1/2</td> <td>2900</td> <td>1\"/&gt;  <tr> <td>U-39</td> <td>"</td> <td>"</td> <td>V-675</td> <td>122</td> <td>1/2</td> <td>2900</td> <td>1\"/&gt;  <tr> <td>U-40</td> <td>"</td> <td>"</td> <td>V-675</td> <td>122</td> <td>1/2</td>
<td>2900</td> <td>1\"/&gt;  <tr> <td>U-41</td> <td>"</td> <td>"</td> <td>V-675</td> <td>122</td> <td>1/2</td> <td>2900</td> <td>1\"/&gt;  <tr> <td>U-42</td> <td>"</td> <td>"</td> <td>V-675</td> <td>122</td> <td>1/2</td> <td>2900</td> <td>1\"/&gt;  <tr> <td>U-43</td> <td>"</td> <td>"</td> <td>V-675</td> <td>122</td> <td>1/2</td> <td>2900</td> <td>1\"/&gt;  <tr> <td>U-44</td> <td>"</td> <td>"</td> <td>V-675</td> <td>122</td> <td>1/2</td> <td>2900</td> <td>1\"/&gt;  <tr> <td>U-45</td> <td>"</td> <td>"</td> <td>V-675</td> <td>122</td> <td>1/2</td> <td>2900</td> <td>1\"/&gt;  <tr> <td>U-46</td> <td>"</td> <td>"</td> <td>V-675</td> <td>122</td> <td>1/2</td> <td>2900</td> <td>1\"/&gt;  <tr> <td>U-47</td> <td>"</td> <td>"</td> <td>V-675</td> <td>122</td> <td>1/2</td> <td>2900</td> <td>1\"/&gt;  <tr> <td>U-48</td> <td>"</td> <td>"</td> <td>V-675</td> <td>122</td> <td>1/2</td> <td>2900</td> <td>1\"/&gt;  <tr> <td>U-49</td> <td>"</td> <td>"</td> <td>V-675</td> <td>122</td> <td>1/2</td> <td>2900</td> <td>1\"/&gt;  <tr> <td>U-50</td> <td>"</td> <td>"</td> <td>V-675</td> <td>122</td> <td>1/2</td> <td>2900</td> <td>1\"/&gt;  </td></tr></td></tr></td></tr></td></tr></td></tr></td></tr></td></tr></td></tr></td></tr></td></tr></td></tr></td></tr></td></tr></td></tr></td></tr></td></tr></td></tr></td></tr></td></tr></td></tr></td></tr></td></tr></td></tr></td></tr></td></tr></td></tr></td></tr></td></tr></td></tr></td></tr>   | U-21 | " | " | V-675 | 122 | 1/2 | 2900 | 1\"/> <tr> <td>U-22</td> <td>"</td> <td>"</td> <td>V-675</td> <td>122</td> <td>1/2</td> <td>2900</td> <td>1\"/&gt;  <tr> <td>U-23</td> <td>"</td> <td>"</td> <td>V-675</td> <td>122</td> <td>1/2</td> <td>2900</td> <td>1\"/&gt;  <tr> <td>U-24</td> <td>"</td> <td>"</td> <td>V-675</td> <td>122</td> <td>1/2</td> <td>2900</td> <td>1\"/&gt;  <tr> <td>U-25</td> <td>"</td> <td>"</td> <td>V-675</td> <td>122</td> <td>1/2</td> <td>2900</td> <td>1\"/&gt;  <tr> <td>U-26</td> <td>"</td> <td>"</td> <td>V-675</td> <td>122</td> <td>1/2</td> <td>2900</td> <td>1\"/&gt;  <tr> <td>U-27</td> <td>"</td> <td>"</td> <td>V-675</td> <td>122</td> <td>1/2</td> <td>2900</td> <td>1\"/&gt;  <tr> <td>U-28</td> <td>"</td> <td>"</td> <td>V-675</td> <td>122</td> <td>1/2</td> <td>2900</td> <td>1\"/&gt;  <tr> <td>U-29</td> <td>"</td> <td>"</td> <td>V-675</td> <td>122</td> <td>1/2</td> <td>2900</td> <td>1\"/&gt;  <tr> <td>U-30</td> <td>"</td> <td>"</td> <td>V-675</td> <td>122</td> <td>1/2</td> <td>2900</td> <td>1\"/&gt;  <tr> <td>U-31</td> <td>"</td> <td>"</td> <td>V-675</td> <td>122</td> <td>1/2</td> <td>2900</td> <td>1\"/&gt;  <tr> <td>U-32</td> <td>"</td> <td>"</td> <td>V-675</td> <td>122</td> <td>1/2</td> <td>2900</td> <td>1\"/&gt;  <tr> <td>U-33</td> <td>"</td> <td>"</td> <td>V-675</td> <td>122</td> <td>1/2</td> <td>2900</td> <td>1\"/&gt;  <tr> <td>U-34</td> <td>"</td> <td>"</td> <td>V-675</td> <td>122</td> <td>1/2</td> <td>2900</td> <td>1\"/&gt;  <tr> <td>U-35</td> <td>"</td> <td>"</td> <td>V-675</td> <td>122</td> <td>1/2</td> <td>2900</td> <td>1\"/&gt;  <tr> <td>U-36</td> <td>"</td> <td>"</td> <td>V-675</td> <td>122</td> <td>1/2</td> <td>2900</td> <td>1\"/&gt;  <tr> <td>U-37</td> <td>"</td> <td>"</td> <td>V-675</td> <td>122</td> <td>1/2</td> <td>2900</td> <td>1\"/&gt;  <tr> <td>U-38</td> <td>"</td> <td>"</td> <td>V-675</td> <td>122</td> <td>1/2</td> <td>2900</td> <td>1\"/&gt;  <tr> <td>U-39</td> <td>"</td> <td>"</td> <td>V-675</td> <td>122</td> <td>1/2</td> <td>2900</td> <td>1\"/&gt;  <tr> <td>U-40</td> <td>"</td> <td>"</td> <td>V-675</td> <td>122</td> <td>1/2</td> <td>2900</td> <td>1\"/&gt;  <tr> <td>U-41</td> <td>"</td> <td>"</td> <td>V-675</td> <td>122</td> <td>1/2</td> <td>2900</td> <td>1\"/&gt;  <tr> <td>U-42</td> <td>"</td> <td>"</td> <td>V-675</td> <td>122</td> <td>1/2</td> <td>2900</td> <td>1\"/&gt;  <tr> <td>U-43</td> <td>"</td> <td>"</td> <td>V-675</td> <td>122</td> <td>1/2</td> <td>2900</td> <td>1\"/&gt;  <tr> <td>U-44</td> <td>"</td> <td>"</td> <td>V-675</td> <td>122</td> <td>1/2</td> <td>2900</td> <td>1\"/&gt;  <tr> <td>U-45</td> <td>"</td> <td>"</td> <td>V-675</td> <td>122</td> <td>1/2</td> <td>2900</td> <td>1\"/&gt;  <tr> <td>U-46</td> <td>"</td> <td>"</td> <td>V-675</td> <td>122</td> <td>1/2</td> <td>2900</td> <td>1\"/&gt;  <tr> <td>U-47</td> <td>"</td> <td>"</td> <td>V-675</td> <td>122</td> <td>1/2</td> <td>2900</td> <td>1\"/&gt;  <tr> <td>U-48</td> <td>"</td> <td>"</td> <td>V-675</td> <td>122</td> <td>1/2</td> <td>2900</td> <td>1\"/&gt;  <tr> <td>U-49</td> <td>"</td> <td>"</td> <td>V-675</td> <td>122</td> <td>1/2</td> <td>2900</td> <td>1\"/&gt;  <tr> <td>U-50</td> <td>"</td> <td>"</td> <td>V-675</td> <td>122</td> <td>1/2</td> <td>2900</td> <td>1\"/&gt;  </td></tr></td></tr></td></tr></td></tr></td></tr></td></tr></td></tr></td></tr></td></tr></td></tr></td></tr></td></tr></td></tr></td></tr></td></tr></td></tr></td></tr></td></tr></td></tr></td></tr></td></tr></td></tr></td></tr></td></tr></td></tr></td></tr></td></tr></td></tr></td></tr>   | U-22 | " | " | V-675 | 122 | 1/2 | 2900 | 1\"/> <tr> <td>U-23</td> <td>"</td> <td>"</td> <td>V-675</td> <td>122</td> <td>1/2</td> <td>2900</td> <td>1\"/&gt;  <tr> <td>U-24</td> <td>"</td> <td>"</td> <td>V-675</td> <td>122</td> <td>1/2</td> <td>2900</td> <td>1\"/&gt;  <tr> <td>U-25</td> <td>"</td> <td>"</td> <td>V-675</td> <td>122</td> <td>1/2</td> <td>2900</td> <td>1\"/&gt;  <tr> <td>U-26</td> <td>"</td> <td>"</td> <td>V-675</td> <td>122</td> <td>1/2</td> <td>2900</td> <td>1\"/&gt;  <tr> <td>U-27</td> <td>"</td> <td>"</td> <td>V-675</td> <td>122</td> <td>1/2</td> <td>2900</td> <td>1\"/&gt;  <tr> <td>U-28</td> <td>"</td> <td>"</td> <td>V-675</td> <td>122</td> <td>1/2</td> <td>2900</td> <td>1\"/&gt;  <tr> <td>U-29</td> <td>"</td> <td>"</td> <td>V-675</td> <td>122</td> <td>1/2</td> <td>2900</td> <td>1\"/&gt;  <tr> <td>U-30</td> <td>"</td> <td>"</td> <td>V-675</td> <td>122</td> <td>1/2</td> <td>2900</td> <td>1\"/&gt;  <tr> <td>U-31</td> <td>"</td> <td>"</td> <td>V-675</td> <td>122</td> <td>1/2</td> <td>2900</td> <td>1\"/&gt;  <tr> <td>U-32</td> <td>"</td> <td>"</td> <td>V-675</td> <td>122</td> <td>1/2</td> <td>2900</td> <td>1\"/&gt;  <tr> <td>U-33</td> <td>"</td> <td>"</td> <td>V-675</td> <td>122</td> <td>1/2</td> <td>2900</td> <td>1\"/&gt;  <tr> <td>U-34</td> <td>"</td> <td>"</td> <td>V-675</td> <td>122</td> <td>1/2</td> <td>2900</td> <td>1\"/&gt;  <tr> <td>U-35</td> <td>"</td> <td>"</td> <td>V-675</td> <td>122</td> <td>1/2</td> <td>2900</td> <td>1\"/&gt;  <tr> <td>U-36</td> <td>"</td> <td>"</td> <td>V-675</td> <td>122</td> <td>1/2</td> <td>2900</td> <td>1\"/&gt;  <tr> <td>U-37</td> <td>"</td> <td>"</td> <td>V-675</td> <td>122</td> <td>1/2</td> <td>2900</td> <td>1\"/&gt;  <tr> <td>U-38</td> <td>"</td> <td>"</td> <td>V-675</td> <td>122</td> <td>1/2</td> <td>2900</td> <td>1\"/&gt;  <tr> <td>U-39</td> <td>"</td> <td>"</td> <td>V-675</td> <td>122</td> <td>1/2</td> <td>2900</td> <td>1\"/&gt;  <tr> <td>U-40</td> <td>"</td> <td>"</td> <td>V-675</td> <td>122</td> <td>1/2</td> <td>2900</td> <td>1\"/&gt;  <tr> <td>U-41</td> <td>"</td> <td>"</td> <td>V-675</td> <td>122</td> <td>1/2</td> <td>2900</td> <td>1\"/&gt;  <tr> <td>U-42</td> <td>"</td> <td>"</td> <td>V-675</td> <td>122</td> <td>1/2</td> <td>2900</td> <td>1\"/&gt;  <tr> <td>U-43</td> <td>"</td> <td>"</td> <td>V-675</td> <td>122</td> <td>1/2</td> <td>2900</td> <td>1\"/&gt;  <tr> <td>U-44</td> <td>"</td> <td>"</td> <td>V-675</td> <td>122</td> <td>1/2</td> <td>2900</td> <td>1\"/&gt;  <tr> <td>U-45</td> <td>"</td> <td>"</td> <td>V-675</td> <td>122</td> <td>1/2</td> <td>2900</td> <td>1\"/&gt;  <tr> <td>U-46</td> <td>"</td> <td>"</td> <td>V-675</td> <td>122</td> <td>1/2</td> <td>2900</td> <td>1\"/&gt;  <tr> <td>U-47</td> <td>"</td> <td>"</td> <td>V-675</td> <td>122</td> <td>1/2</td> <td>2900</td> <td>1\"/&gt;  <tr> <td>U-48</td> <td>"</td> <td>"</td> <td>V-675</td> <td>122</td> <td>1/2</td> <td>2900</td> <td>1\"/&gt;  <tr> <td>U-49</td> <td>"</td> <td>"</td> <td>V-675</td> <td>122</td> <td>1/2</td> <td>2900</td> <td>1\"/&gt;  <tr> <td>U-50</td> <td>"</td> <td>"</td> <td>V-675</td> <td>122</td> <td>1/2</td> <td>2900</td> <td>1\"/&gt; 
</td></tr></td></tr></td></tr></td></tr></td></tr></td></tr></td></tr></td></tr></td></tr></td></tr></td></tr></td></tr></td></tr></td></tr></td></tr></td></tr></td></tr></td></tr></td></tr></td></tr></td></tr></td></tr></td></tr></td></tr></td></tr></td></tr></td></tr></td></tr>   | U-23 | " | " | V-675 | 122 | 1/2 | 2900 | 1\"/> <tr> <td>U-24</td> <td>"</td> <td>"</td> <td>V-675</td> <td>122</td> <td>1/2</td> <td>2900</td> <td>1\"/&gt;  <tr> <td>U-25</td> <td>"</td> <td>"</td> <td>V-675</td> <td>122</td> <td>1/2</td> <td>2900</td> <td>1\"/&gt;  <tr> <td>U-26</td> <td>"</td> <td>"</td> <td>V-675</td> <td>122</td> <td>1/2</td> <td>2900</td> <td>1\"/&gt;  <tr> <td>U-27</td> <td>"</td> <td>"</td> <td>V-675</td> <td>122</td> <td>1/2</td> <td>2900</td> <td>1\"/&gt;  <tr> <td>U-28</td> <td>"</td> <td>"</td> <td>V-675</td> <td>122</td> <td>1/2</td> <td>2900</td> <td>1\"/&gt;  <tr> <td>U-29</td> <td>"</td> <td>"</td> <td>V-675</td> <td>122</td> <td>1/2</td> <td>2900</td> <td>1\"/&gt;  <tr> <td>U-30</td> <td>"</td> <td>"</td> <td>V-675</td> <td>122</td> <td>1/2</td> <td>2900</td> <td>1\"/&gt;  <tr> <td>U-31</td> <td>"</td> <td>"</td> <td>V-675</td> <td>122</td> <td>1/2</td> <td>2900</td> <td>1\"/&gt;  <tr> <td>U-32</td> <td>"</td> <td>"</td> <td>V-675</td> <td>122</td> <td>1/2</td> <td>2900</td> <td>1\"/&gt;  <tr> <td>U-33</td> <td>"</td> <td>"</td> <td>V-675</td> <td>122</td> <td>1/2</td> <td>2900</td> <td>1\"/&gt;  <tr> <td>U-34</td> <td>"</td> <td>"</td> <td>V-675</td> <td>122</td> <td>1/2</td> <td>2900</td> <td>1\"/&gt;  <tr> <td>U-35</td> <td>"</td> <td>"</td> <td>V-675</td> <td>122</td> <td>1/2</td> <td>2900</td> <td>1\"/&gt;  <tr> <td>U-36</td> <td>"</td> <td>"</td> <td>V-675</td> <td>122</td> <td>1/2</td> <td>2900</td> <td>1\"/&gt;  <tr> <td>U-37</td> <td>"</td> <td>"</td> <td>V-675</td> <td>122</td> <td>1/2</td> <td>2900</td> <td>1\"/&gt;  <tr> <td>U-38</td> <td>"</td> <td>"</td> <td>V-675</td> <td>122</td> <td>1/2</td> <td>2900</td> <td>1\"/&gt;  <tr> <td>U-39</td> <td>"</td> <td>"</td> <td>V-675</td> <td>122</td> <td>1/2</td> <td>2900</td> <td>1\"/&gt;  <tr> <td>U-40</td> <td>"</td> <td>"</td> <td>V-675</td> <td>122</td> <td>1/2</td> <td>2900</td> <td>1\"/&gt;  <tr> <td>U-41</td> <td>"</td> <td>"</td> <td>V-675</td> <td>122</td> <td>1/2</td> <td>2900</td> <td>1\"/&gt;  <tr> <td>U-42</td> <td>"</td> <td>"</td> <td>V-675</td> <td>122</td> <td>1/2</td> <td>2900</td> <td>1\"/&gt;  <tr> <td>U-43</td> <td>"</td> <td>"</td> <td>V-675</td> <td>122</td> <td>1/2</td> <td>2900</td> <td>1\"/&gt;  <tr> <td>U-44</td> <td>"</td> <td>"</td> <td>V-675</td> <td>122</td> <td>1/2</td> <td>2900</td> <td>1\"/&gt;  <tr> <td>U-45</td> <td>"</td> <td>"</td> <td>V-675</td> <td>122</td> <td>1/2</td> <td>2900</td> <td>1\"/&gt;  <tr> <td>U-46</td> <td>"</td> <td>"</td> <td>V-675</td> <td>122</td> <td>1/2</td> <td>2900</td> <td>1\"/&gt;  <tr> <td>U-47</td> <td>"</td> <td>"</td> <td>V-675</td> <td>122</td> <td>1/2</td> <td>2900</td> <td>1\"/&gt;  <tr> <td>U-48</td> <td>"</td> <td>"</td> <td>V-675</td> <td>122</td> <td>1/2</td> <td>2900</td> <td>1\"/&gt;  <tr> <td>U-49</td> <td>"</td> <td>"</td> <td>V-675</td> <td>122</td> <td>1/2</td> <td>2900</td> <td>1\"/&gt;  <tr> <td>U-50</td> <td>"</td> <td>"</td> <td>V-675</td> <td>122</td> <td>1/2</td> <td>2900</td> <td>1\"/&gt;  </td></tr></td></tr></td></tr></td></tr></td></tr></td></tr></td></tr></td></tr></td></tr></td></tr></td></tr></td></tr></td></tr></td></tr></td></tr></td></tr></td></tr></td></tr></td></tr></td></tr></td></tr></td></tr></td></tr></td></tr></td></tr></td></tr></td></tr>   | U-24 | " | " | V-675 | 122 | 1/2 | 2900 | 1\"/> <tr> <td>U-25</td> <td>"</td> <td>"</td> <td>V-675</td> <td>122</td> <td>1/2</td> <td>2900</td> <td>1\"/&gt;  <tr> <td>U-26</td> <td>"</td> <td>"</td> <td>V-675</td> <td>122</td> <td>1/2</td> <td>2900</td> <td>1\"/&gt;  <tr> <td>U-27</td> <td>"</td> <td>"</td> <td>V-675</td> <td>122</td> <td>1/2</td> <td>2900</td> <td>1\"/&gt;  <tr> <td>U-28</td> <td>"</td> <td>"</td> <td>V-675</td> <td>122</td> <td>1/2</td> <td>2900</td> <td>1\"/&gt;  <tr> <td>U-29</td> <td>"</td> <td>"</td> <td>V-675</td> <td>122</td> <td>1/2</td> <td>2900</td> <td>1\"/&gt;  <tr> <td>U-30</td> <td>"</td> <td>"</td> <td>V-675</td> <td>122</td> <td>1/2</td> <td>2900</td> <td>1\"/&gt;  <tr> <td>U-31</td> <td>"</td> <td>"</td> <td>V-675</td> <td>122</td> <td>1/2</td> <td>2900</td> <td>1\"/&gt;  <tr> <td>U-32</td> <td>"</td> <td>"</td> <td>V-675</td> <td>122</td> <td>1/2</td> <td>2900</td> <td>1\"/&gt;  <tr> <td>U-33</td> <td>"</td> <td>"</td> <td>V-675</td> <td>122</td> <td>1/2</td> <td>2900</td> <td>1\"/&gt;  <tr> <td>U-34</td> <td>"</td> <td>"</td> <td>V-675</td> <td>122</td> <td>1/2</td> <td>2900</td> <td>1\"/&gt;  <tr> <td>U-35</td> <td>"</td> <td>"</td> <td>V-675</td> <td>122</td> <td>1/2</td> <td>2900</td> <td>1\"/&gt;  <tr> <td>U-36</td> <td>"</td> <td>"</td> <td>V-675</td> <td>122</td> <td>1/2</td> <td>2900</td> <td>1\"/&gt;  <tr> <td>U-37</td> <td>"</td> <td>"</td> <td>V-675</td> <td>122</td> <td>1/2</td> <td>2900</td> <td>1\"/&gt;  <tr> <td>U-38</td> <td>"</td> <td>"</td> <td>V-675</td> <td>122</td> <td>1/2</td> <td>2900</td> <td>1\"/&gt;  <tr> <td>U-39</td> <td>"</td> <td>"</td> <td>V-675</td> <td>122</td> <td>1/2</td> <td>2900</td> <td>1\"/&gt;  <tr> <td>U-40</td> <td>"</td> <td>"</td> <td>V-675</td> <td>122</td> <td>1/2</td> <td>2900</td> <td>1\"/&gt;  <tr> <td>U-41</td> <td>"</td> <td>"</td> <td>V-675</td> <td>122</td> <td>1/2</td> <td>2900</td> <td>1\"/&gt;  <tr> <td>U-42</td> <td>"</td> <td>"</td> <td>V-675</td> <td>122</td> <td>1/2</td> <td>2900</td> <td>1\"/&gt;  <tr> <td>U-43</td> <td>"</td> <td>"</td> <td>V-675</td> <td>122</td> <td>1/2</td> <td>2900</td> <td>1\"/&gt;  <tr> <td>U-44</td> <td>"</td> <td>"</td> <td>V-675</td> <td>122</td> <td>1/2</td> <td>2900</td> <td>1\"/&gt;  <tr> <td>U-45</td> <td>"</td> <td>"</td> <td>V-675</td> <td>122</td> <td>1/2</td> <td>2900</td> <td>1\"/&gt;  <tr> <td>U-46</td> <td>"</td> <td>"</td> <td>V-675</td> <td>122</td> <td>1/2</td> <td>2900</td> <td>1\"/&gt;  <tr> <td>U-47</td> <td>"</td> <td>"</td> <td>V-675</td> <td>122</td> <td>1/2</td> <td>2900</td> <td>1\"/&gt;  <tr> <td>U-48</td> <td>"</td> <td>"</td> <td>V-675</td> <td>122</td> <td>1/2</td> <td>2900</td> <td>1\"/&gt;  <tr> <td>U-49</td> <td>"</td> <td>"</td> <td>V-675</td> <td>122</td> <td>1/2</td> <td>2900</td> <td>1\"/&gt;  <tr> <td>U-50</td> <td>"</td> <td>"</td> <td>V-675</td> <td>122</td> <td>1/2</td> <td>2900</td> <td>1\"/&gt;  </td></tr></td></tr></td></tr></td></tr></td></tr></td></tr></td></tr></td></tr></td></tr></td></tr></td></tr></td></tr></td></tr></td></tr></td></tr></td></tr></td></tr></td></tr></td></tr></td></tr></td></tr></td></tr></td></tr></td></tr></td></tr></td></tr>   | U-25 | " | " | V-675 | 122 | 1/2 | 2900 | 1\"/> <tr> <td>U-26</td> <td>"</td> <td>"</td> <td>V-675</td> <td>122</td> <td>1/2</td> <td>2900</td> <td>1\"/&gt;  <tr> <td>U-27</td> <td>"</td> <td>"</td> <td>V-675</td> <td>122</td> <td>1/2</td> <td>2900</td> <td>1\"/&gt;  <tr> <td>U-28</td> <td>"</td> <td>"</td> <td>V-675</td> <td>122</td> <td>1/2</td> <td>2900</td> <td>1\"/&gt;  <tr> <td>U-29</td> <td>"</td> <td>"</td> <td>V-675</td> <td>122</td> <td>1/2</td> <td>2900</td> <td>1\"/&gt;  <tr> <td>U-30</td> <td>"</td> <td>"</td> <td>V-675</td> <td>122</td> <td>1/2</td> <td>2900</td> <td>1\"/&gt;  <tr> <td>U-31</td> <td>"</td> <td>"</td> <td>V-675</td> <td>122</td> <td>1/2</td> <td>2900</td> <td>1\"/&gt;  <tr> <td>U-32</td>
<td>"</td> <td>"</td> <td>V-675</td> <td>122</td> <td>1/2</td> <td>2900</td> <td>1\"/&gt;  <tr> <td>U-33</td> <td>"</td> <td>"</td> <td>V-675</td> <td>122</td> <td>1/2</td> <td>2900</td> <td>1\"/&gt;  <tr> <td>U-34</td> <td>"</td> <td>"</td> <td>V-675</td> <td>122</td> <td>1/2</td> <td>2900</td> <td>1\"/&gt;  <tr> <td>U-35</td> <td>"</td> <td>"</td> <td>V-675</td> <td>122</td> <td>1/2</td> <td>2900</td> <td>1\"/&gt;  <tr> <td>U-36</td> <td>"</td> <td>"</td> <td>V-675</td> <td>122</td> <td>1/2</td> <td>2900</td> <td>1\"/&gt;  <tr> <td>U-37</td> <td>"</td> <td>"</td> <td>V-675</td> <td>122</td> <td>1/2</td> <td>2900</td> <td>1\"/&gt;  <tr> <td>U-38</td> <td>"</td> <td>"</td> <td>V-675</td> <td>122</td> <td>1/2</td> <td>2900</td> <td>1\"/&gt;  <tr> <td>U-39</td> <td>"</td> <td>"</td> <td>V-675</td> <td>122</td> <td>1/2</td> <td>2900</td> <td>1\"/&gt;  <tr> <td>U-40</td> <td>"</td> <td>"</td> <td>V-675</td> <td>122</td> <td>1/2</td> <td>2900</td> <td>1\"/&gt;  <tr> <td>U-41</td> <td>"</td> <td>"</td> <td>V-675</td> <td>122</td> <td>1/2</td> <td>2900</td> <td>1\"/&gt;  <tr> <td>U-42</td> <td>"</td> <td>"</td> <td>V-675</td> <td>122</td> <td>1/2</td> <td>2900</td> <td>1\"/&gt;  <tr> <td>U-43</td> <td>"</td> <td>"</td> <td>V-675</td> <td>122</td> <td>1/2</td> <td>2900</td> <td>1\"/&gt;  <tr> <td>U-44</td> <td>"</td> <td>"</td> <td>V-675</td> <td>122</td> <td>1/2</td> <td>2900</td> <td>1\"/&gt;  <tr> <td>U-45</td> <td>"</td> <td>"</td> <td>V-675</td> <td>122</td> <td>1/2</td> <td>2900</td> <td>1\"/&gt;  <tr> <td>U-46</td> <td>"</td> <td>"</td> <td>V-675</td> <td>122</td> <td>1/2</td> <td>2900</td> <td>1\"/&gt;  <tr> <td>U-47</td> <td>"</td> <td>"</td> <td>V-675</td> <td>122</td> <td>1/2</td> <td>2900</td> <td>1\"/&gt;  <tr> <td>U-48</td> <td>"</td> <td>"</td> <td>V-675</td> <td>122</td> <td>1/2</td> <td>2900</td> <td>1\"/&gt;  <tr> <td>U-49</td> <td>"</td> <td>"</td> <td>V-675</td> <td>122</td> <td>1/2</td> <td>2900</td> <td>1\"/&gt;  <tr> <td>U-50</td> <td>"</td> <td>"</td> <td>V-675</td> <td>122</td> <td>1/2</td> <td>2900</td> <td>1\"/&gt;  </td></tr></td></tr></td></tr></td></tr></td></tr></td></tr></td></tr></td></tr></td></tr></td></tr></td></tr></td></tr></td></tr></td></tr></td></tr></td></tr></td></tr></td></tr></td></tr></td></tr></td></tr></td></tr></td></tr></td></tr></td></tr>   | U-26 | " | " | V-675 | 122 | 1/2 | 2900 | 1\"/> <tr> <td>U-27</td> <td>"</td> <td>"</td> <td>V-675</td> <td>122</td> <td>1/2</td> <td>2900</td> <td>1\"/&gt;  <tr> <td>U-28</td> <td>"</td> <td>"</td> <td>V-675</td> <td>122</td> <td>1/2</td> <td>2900</td> <td>1\"/&gt;  <tr> <td>U-29</td> <td>"</td> <td>"</td> <td>V-675</td> <td>122</td> <td>1/2</td> <td>2900</td> <td>1\"/&gt;  <tr> <td>U-30</td> <td>"</td> <td>"</td> <td>V-675</td> <td>122</td> <td>1/2</td> <td>2900</td> <td>1\"/&gt;  <tr> <td>U-31</td> <td>"</td> <td>"</td> <td>V-675</td> <td>122</td> <td>1/2</td> <td>2900</td> <td>1\"/&gt;  <tr> <td>U-32</td> <td>"</td> <td>"</td> <td>V-675</td> <td>122</td> <td>1/2</td> <td>2900</td> <td>1\"/&gt;  <tr> <td>U-33</td> <td>"</td> <td>"</td> <td>V-675</td> <td>122</td> <td>1/2</td> <td>2900</td> <td>1\"/&gt;  <tr> <td>U-34</td> <td>"</td> <td>"</td> <td>V-675</td> <td>122</td> <td>1/2</td> <td>2900</td> <td>1\"/&gt;  <tr> <td>U-35</td> <td>"</td> <td>"</td> <td>V-675</td> <td>122</td> <td>1/2</td> <td>2900</td> <td>1\"/&gt;  <tr> <td>U-36</td> <td>"</td> <td>"</td> <td>V-675</td> <td>122</td> <td>1/2</td> <td>2900</td> <td>1\"/&gt;  <tr> <td>U-37</td> <td>"</td> <td>"</td> <td>V-675</td> <td>122</td> <td>1/2</td> <td>2900</td> <td>1\"/&gt;  <tr> <td>U-38</td> <td>"</td> <td>"</td> <td>V-675</td> <td>122</td> <td>1/2</td> <td>2900</td> <td>1\"/&gt;  <tr> <td>U-39</td> <td>"</td> <td>"</td> <td>V-675</td> <td>122</td> <td>1/2</td> <td>2900</td> <td>1\"/&gt;  <tr> <td>U-40</td> <td>"</td> <td>"</td> <td>V-675</td> <td>122</td> <td>1/2</td> <td>2900</td> <td>1\"/&gt;  <tr> <td>U-41</td> <td>"</td> <td>"</td> <td>V-675</td> <td>122</td> <td>1/2</td> <td>2900</td> <td>1\"/&gt;  <tr> <td>U-42</td> <td>"</td> <td>"</td> <td>V-675</td> <td>122</td> <td>1/2</td> <td>2900</td> <td>1\"/&gt;  <tr> <td>U-43</td> <td>"</td> <td>"</td> <td>V-675</td> <td>122</td> <td>1/2</td> <td>2900</td> <td>1\"/&gt;  <tr> <td>U-44</td> <td>"</td> <td>"</td> <td>V-675</td> <td>122</td> <td>1/2</td> <td>2900</td> <td>1\"/&gt;  <tr> <td>U-45</td> <td>"</td> <td>"</td> <td>V-675</td> <td>122</td> <td>1/2</td> <td>2900</td> <td>1\"/&gt;  <tr> <td>U-46</td> <td>"</td> <td>"</td> <td>V-675</td> <td>122</td> <td>1/2</td> <td>2900</td> <td>1\"/&gt;  <tr> <td>U-47</td> <td>"</td> <td>"</td> <td>V-675</td> <td>122</td> <td>1/2</td> <td>2900</td> <td>1\"/&gt;  <tr> <td>U-48</td> <td>"</td> <td>"</td> <td>V-675</td> <td>122</td> <td>1/2</td> <td>2900</td> <td>1\"/&gt;  <tr> <td>U-49</td> <td>"</td> <td>"</td> <td>V-675</td> <td>122</td> <td>1/2</td> <td>2900</td> <td>1\"/&gt;  <tr> <td>U-50</td> <td>"</td> <td>"</td> <td>V-675</td> <td>122</td> <td>1/2</td> <td>2900</td> <td>1\"/&gt;  </td></tr></td></tr></td></tr></td></tr></td></tr></td></tr></td></tr></td></tr></td></tr></td></tr></td></tr></td></tr></td></tr></td></tr></td></tr></td></tr></td></tr></td></tr></td></tr></td></tr></td></tr></td></tr></td></tr></td></tr>   | U-27 | " | " | V-675 | 122 | 1/2 | 2900 | 1\"/> <tr> <td>U-28</td> <td>"</td> <td>"</td> <td>V-675</td> <td>122</td> <td>1/2</td> <td>2900</td> <td>1\"/&gt;  <tr> <td>U-29</td> <td>"</td> <td>"</td> <td>V-675</td> <td>122</td> <td>1/2</td> <td>2900</td> <td>1\"/&gt;  <tr> <td>U-30</td> <td>"</td> <td>"</td> <td>V-675</td> <td>122</td> <td>1/2</td> <td>2900</td> <td>1\"/&gt;  <tr> <td>U-31</td> <td>"</td> <td>"</td> <td>V-675</td> <td>122</td> <td>1/2</td> <td>2900</td> <td>1\"/&gt;  <tr> <td>U-32</td> <td>"</td> <td>"</td> <td>V-675</td> <td>122</td> <td>1/2</td> <td>2900</td> <td>1\"/&gt;  <tr> <td>U-33</td> <td>"</td> <td>"</td> <td>V-675</td> <td>122</td> <td>1/2</td> <td>2900</td> <td>1\"/&gt;  <tr> <td>U-34</td> <td>"</td> <td>"</td> <td>V-675</td> <td>122</td> <td>1/2</td> <td>2900</td> <td>1\"/&gt;  <tr> <td>U-35</td> <td>"</td> <td>"</td> <td>V-675</td> <td>122</td> <td>1/2</td> <td>2900</td> <td>1\"/&gt;  <tr> <td>U-36</td> <td>"</td> <td>"</td> <td>V-675</td> <td>122</td> <td>1/2</td> <td>2900</td> <td>1\"/&gt;  <tr> <td>U-37</td> <td>"</td> <td>"</td> <td>V-675</td> <td>122</td> <td>1/2</td> <td>2900</td> <td>1\"/&gt;  <tr> <td>U-38</td> <td>"</td> <td>"</td> <td>V-675</td> <td>122</td> <td>1/2</td> <td>2900</td> <td>1\"/&gt;  <tr> <td>U-39</td> <td>"</td> <td>"</td> <td>V-675</td> <td>122</td> <td>1/2</td> <td>2900</td> <td>1\"/&gt;  <tr> <td>U-40</td> <td>"</td> <td>"</td> <td>V-675</td> <td>122</td> <td>1/2</td> <td>2900</td> <td>1\"/&gt;  <tr> <td>U-41</td> <td>"</td> <td>"</td> <td>V-675</td> <td>122</td> <td>1/2</td> <td>2900</td> <td>1\"/&gt;  <tr> <td>U-42</td> <td>"</td> <td>"</td> <td>V-675</td> <td>122</td> <td>1/2</td> <td>2900</td> <td>1\"/&gt;  <tr> <td>U-43</td> <td>"</td> <td>"</td> <td>V-675</td> <td>122</td> <td>1/2</td> <td>2900</td> <td>1\"/&gt;  <tr> <td>U-44</td> <td>"</td> <td>"</td> <td>V-675</td> <td>122</td> <td>1/2</td> <td>2900</td> <td>1\"/&gt;  <tr> <td>U-45</td> <td>"</td> <td>"</td> <td>V-675</td> <td>122</td> <td>1/2</td> <td>2900</td> <td>1\"/&gt;  <tr> <td>U-46</td> <td>"</td> <td>"</td> <td>V-675</td> <td>122</td> <td>1/2</td> <td>2900</td> <td>1\"/&gt;  <tr> <td>U-47</td> <td>"</td> <td>"</td> <td>V-675</td> <td>122</td> <td>1/2</td> <td>2900</td> <td>1\"/&gt;  <tr> <td>U-48</td> <td>"</td> <td>"</td> <td>V-675</td> <td>122</td> <td>1/2</td> <td>2900</td> <td>1\"/&gt;  <tr> <td>U-49</td> <td>"</td> <td>"</td> <td>V-675</td> <td>122</td> <td>1/2</td> <td>2900</td> <td>1\"/&gt;  <tr> <td>U-50</td> <td>"</td> <td>"</td> <td>V-675</td> <td>122</td> <td>1/2</td> <td>2900</td> <td>1\"/&gt;  </td></tr></td></tr></td></tr></td></tr></td></tr></td></tr></td></tr></td></tr></td></tr></td></tr></td></tr></td></tr></td></tr></td></tr></td></tr></td></tr></td></tr></td></tr></td></tr></td></tr></td></tr></td></tr></td></tr>  
  | U-28 | " | " | V-675 | 122 | 1/2 | 2900 | 1\"/> <tr> <td>U-29</td> <td>"</td> <td>"</td> <td>V-675</td> <td>122</td> <td>1/2</td> <td>2900</td> <td>1\"/&gt;  <tr> <td>U-30</td> <td>"</td> <td>"</td> <td>V-675</td> <td>122</td> <td>1/2</td> <td>2900</td> <td>1\"/&gt;  <tr> <td>U-31</td> <td>"</td> <td>"</td> <td>V-675</td> <td>122</td> <td>1/2</td> <td>2900</td> <td>1\"/&gt;  <tr> <td>U-32</td> <td>"</td> <td>"</td> <td>V-675</td> <td>122</td> <td>1/2</td> <td>2900</td> <td>1\"/&gt;  <tr> <td>U-33</td> <td>"</td> <td>"</td> <td>V-675</td> <td>122</td> <td>1/2</td> <td>2900</td> <td>1\"/&gt;  <tr> <td>U-34</td> <td>"</td> <td>"</td> <td>V-675</td> <td>122</td> <td>1/2</td> <td>2900</td> <td>1\"/&gt;  <tr> <td>U-35</td> <td>"</td> <td>"</td> <td>V-675</td> <td>122</td> <td>1/2</td> <td>2900</td> <td>1\"/&gt;  <tr> <td>U-36</td> <td>"</td> <td>"</td> <td>V-675</td> <td>122</td> <td>1/2</td> <td>2900</td> <td>1\"/&gt;  <tr> <td>U-37</td> <td>"</td> <td>"</td> <td>V-675</td> <td>122</td> <td>1/2</td> <td>2900</td> <td>1\"/&gt;  <tr> <td>U-38</td> <td>"</td> <td>"</td> <td>V-675</td> <td>122</td> <td>1/2</td> <td>2900</td> <td>1\"/&gt;  <tr> <td>U-39</td> <td>"</td> <td>"</td> <td>V-675</td> <td>122</td> <td>1/2</td> <td>2900</td> <td>1\"/&gt;  <tr> <td>U-40</td> <td>"</td> <td>"</td> <td>V-675</td> <td>122</td> <td>1/2</td> <td>2900</td> <td>1\"/&gt;  <tr> <td>U-41</td> <td>"</td> <td>"</td> <td>V-675</td> <td>122</td> <td>1/2</td> <td>2900</td> <td>1\"/&gt;  <tr> <td>U-42</td> <td>"</td> <td>"</td> <td>V-675</td> <td>122</td> <td>1/2</td> <td>2900</td> <td>1\"/&gt;  <tr> <td>U-43</td> <td>"</td> <td>"</td> <td>V-675</td> <td>122</td> <td>1/2</td> <td>2900</td> <td>1\"/&gt;  <tr> <td>U-44</td> <td>"</td> <td>"</td> <td>V-675</td> <td>122</td> <td>1/2</td> <td>2900</td> <td>1\"/&gt;  <tr> <td>U-45</td> <td>"</td> <td>"</td> <td>V-675</td> <td>122</td> <td>1/2</td> <td>2900</td> <td>1\"/&gt;  <tr> <td>U-46</td> <td>"</td> <td>"</td> <td>V-675</td> <td>122</td> <td>1/2</td> <td>2900</td> <td>1\"/&gt;  <tr> <td>U-47</td> <td>"</td> <td>"</td> <td>V-675</td> <td>122</td> <td>1/2</td> <td>2900</td> <td>1\"/&gt;  <tr> <td>U-48</td> <td>"</td> <td>"</td> <td>V-675</td> <td>122</td> <td>1/2</td> <td>2900</td> <td>1\"/&gt;  <tr> <td>U-49</td> <td>"</td> <td>"</td> <td>V-675</td> <td>122</td> <td>1/2</td> <td>2900</td> <td>1\"/&gt;  <tr> <td>U-50</td> <td>"</td> <td>"</td> <td>V-675</td> <td>122</td> <td>1/2</td> <td>2900</td> <td>1\"/&gt;  </td></tr></td></tr></td></tr></td></tr></td></tr></td></tr></td></tr></td></tr></td></tr></td></tr></td></tr></td></tr></td></tr></td></tr></td></tr></td></tr></td></tr></td></tr></td></tr></td></tr></td></tr></td></tr>   | U-29 | " | " | V-675 | 122 | 1/2 | 2900 | 1\"/> <tr> <td>U-30</td> <td>"</td> <td>"</td> <td>V-675</td> <td>122</td> <td>1/2</td> <td>2900</td> <td>1\"/&gt;  <tr> <td>U-31</td> <td>"</td> <td>"</td> <td>V-675</td> <td>122</td> <td>1/2</td> <td>2900</td> <td>1\"/&gt;  <tr> <td>U-32</td> <td>"</td> <td>"</td> <td>V-675</td> <td>122</td> <td>1/2</td> <td>2900</td> <td>1\"/&gt;  <tr> <td>U-33</td> <td>"</td> <td>"</td> <td>V-675</td> <td>122</td> <td>1/2</td> <td>2900</td> <td>1\"/&gt;  <tr> <td>U-34</td> <td>"</td> <td>"</td> <td>V-675</td> <td>122</td> <td>1/2</td> <td>2900</td> <td>1\"/&gt;  <tr> <td>U-35</td> <td>"</td> <td>"</td> <td>V-675</td> <td>122</td> <td>1/2</td> <td>2900</td> <td>1\"/&gt;  <tr> <td>U-36</td> <td>"</td> <td>"</td> <td>V-675</td> <td>122</td> <td>1/2</td> <td>2900</td> <td>1\"/&gt;  <tr> <td>U-37</td> <td>"</td> <td>"</td> <td>V-675</td> <td>122</td> <td>1/2</td> <td>2900</td> <td>1\"/&gt;  <tr> <td>U-38</td> <td>"</td> <td>"</td> <td>V-675</td> <td>122</td> <td>1/2</td> <td>2900</td> <td>1\"/&gt;  <tr> <td>U-39</td> <td>"</td> <td>"</td> <td>V-675</td> <td>122</td> <td>1/2</td> <td>2900</td> <td>1\"/&gt;  <tr> <td>U-40</td> <td>"</td> <td>"</td> <td>V-675</td> <td>122</td> <td>1/2</td> <td>2900</td> <td>1\"/&gt;  <tr> <td>U-41</td> <td>"</td> <td>"</td> <td>V-675</td> <td>122</td> <td>1/2</td> <td>2900</td> <td>1\"/&gt;  <tr> <td>U-42</td> <td>"</td> <td>"</td> <td>V-675</td> <td>122</td> <td>1/2</td> <td>2900</td> <td>1\"/&gt;  <tr> <td>U-43</td> <td>"</td> <td>"</td> <td>V-675</td> <td>122</td> <td>1/2</td> <td>2900</td> <td>1\"/&gt;  <tr> <td>U-44</td> <td>"</td> <td>"</td> <td>V-675</td> <td>122</td> <td>1/2</td> <td>2900</td> <td>1\"/&gt;  <tr> <td>U-45</td> <td>"</td> <td>"</td> <td>V-675</td> <td>122</td> <td>1/2</td> <td>2900</td> <td>1\"/&gt;  <tr> <td>U-46</td> <td>"</td> <td>"</td> <td>V-675</td> <td>122</td> <td>1/2</td> <td>2900</td> <td>1\"/&gt;  <tr> <td>U-47</td> <td>"</td> <td>"</td> <td>V-675</td> <td>122</td> <td>1/2</td> <td>2900</td> <td>1\"/&gt;  <tr> <td>U-48</td> <td>"</td> <td>"</td> <td>V-675</td> <td>122</td> <td>1/2</td> <td>2900</td> <td>1\"/&gt;  <tr> <td>U-49</td> <td>"</td> <td>"</td> <td>V-675</td> <td>122</td> <td>1/2</td> <td>2900</td> <td>1\"/&gt;  <tr> <td>U-50</td> <td>"</td> <td>"</td> <td>V-675</td> <td>122</td> <td>1/2</td> <td>2900</td> <td>1\"/&gt;  </td></tr></td></tr></td></tr></td></tr></td></tr></td></tr></td></tr></td></tr></td></tr></td></tr></td></tr></td></tr></td></tr></td></tr></td></tr></td></tr></td></tr></td></tr></td></tr></td></tr></td></tr>   | U-30 | " | " | V-675 | 122 | 1/2 | 2900 | 1\"/> <tr> <td>U-31</td> <td>"</td> <td>"</td> <td>V-675</td> <td>122</td> <td>1/2</td> <td>2900</td> <td>1\"/&gt;  <tr> <td>U-32</td> <td>"</td> <td>"</td> <td>V-675</td> <td>122</td> <td>1/2</td> <td>2900</td> <td>1\"/&gt;  <tr> <td>U-33</td> <td>"</td> <td>"</td> <td>V-675</td> <td>122</td> <td>1/2</td> <td>2900</td> <td>1\"/&gt;  <tr> <td>U-34</td> <td>"</td> <td>"</td> <td>V-675</td> <td>122</td> <td>1/2</td> <td>2900</td> <td>1\"/&gt;  <tr> <td>U-35</td> <td>"</td> <td>"</td> <td>V-675</td> <td>122</td> <td>1/2</td> <td>2900</td> <td>1\"/&gt;  <tr> <td>U-36</td> <td>"</td> <td>"</td> <td>V-675</td> <td>122</td> <td>1/2</td> <td>2900</td> <td>1\"/&gt;  <tr> <td>U-37</td> <td>"</td> <td>"</td> <td>V-675</td> <td>122</td> <td>1/2</td> <td>2900</td> <td>1\"/&gt;  <tr> <td>U-38</td> <td>"</td> <td>"</td> <td>V-675</td> <td>122</td> <td>1/2</td> <td>2900</td> <td>1\"/&gt;  <tr> <td>U-39</td> <td>"</td> <td>"</td> <td>V-675</td> <td>122</td> <td>1/2</td> <td>2900</td> <td>1\"/&gt;  <tr> <td>U-40</td> <td>"</td> <td>"</td> <td>V-675</td> <td>122</td> <td>1/2</td> <td>2900</td> <td>1\"/&gt;  <tr> <td>U-41</td> <td>"</td> <td>"</td> <td>V-675</td> <td>122</td> <td>1/2</td> <td>2900</td> <td>1\"/&gt;  <tr> <td>U-42</td> <td>"</td> <td>"</td> <td>V-675</td> <td>122</td> <td>1/2</td> <td>2900</td> <td>1\"/&gt;  <tr> <td>U-43</td> <td>"</td> <td>"</td> <td>V-675</td> <td>122</td> <td>1/2</td> <td>2900</td> <td>1\"/&gt;  <tr> <td>U-44</td> <td>"</td> <td>"</td> <td>V-675</td> <td>122</td> <td>1/2</td> <td>2900</td> <td>1\"/&gt;  <tr> <td>U-45</td> <td>"</td> <td>"</td> <td>V-675</td> <td>122</td> <td>1/2</td> <td>2900</td> <td>1\"/&gt;  <tr> <td>U-46</td> <td>"</td> <td>"</td> <td>V-675</td> <td>122</td> <td>1/2</td> <td>2900</td> <td>1\"/&gt;  <tr> <td>U-47</td> <td>"</td> <td>"</td> <td>V-675</td> <td>122</td> <td>1/2</td> <td>2900</td> <td>1\"/&gt;  <tr> <td>U-48</td> <td>"</td> <td>"</td> <td>V-675</td> <td>122</td> <td>1/2</td> <td>2900</td> <td>1\"/&gt;  <tr> <td>U-49</td> <td>"</td> <td>"</td> <td>V-675</td> <td>122</td> <td>1/2</td> <td>2900</td> <td>1\"/&gt;  <tr> <td>U-50</td> <td>"</td> <td>"</td> <td>V-675</td> <td>122</td> <td>1/2</td> <td>2900</td> <td>1\"/&gt;  </td></tr></td></tr></td></tr></td></tr></td></tr></td></tr></td></tr></td></tr></td></tr></td></tr></td></tr></td></tr></td></tr></td></tr></td></tr></td></tr></td></tr></td></tr></td></tr></td></tr>                       
   | U-31 | " | " | V-675 | 122 | 1/2 | 2900 | 1\"/> <tr> <td>U-32</td> <td>"</td> <td>"</td> <td>V-675</td> <td>122</td> <td>1/2</td> <td>2900</td> <td>1\"/&gt;  <tr> <td>U-33</td> <td>"</td> <td>"</td> <td>V-675</td> <td>122</td> <td>1/2</td> <td>2900</td> <td>1\"/&gt;  <tr> <td>U-34</td> <td>"</td> <td>"</td> <td>V-675</td> <td>122</td> <td>1/2</td> <td>2900</td> <td>1\"/&gt;  <tr> <td>U-35</td> <td>"</td> <td>"</td> <td>V-675</td> <td>122</td> <td>1/2</td> <td>2900</td> <td>1\"/&gt;  <tr> <td>U-36</td> <td>"</td> <td>"</td> <td>V-675</td> <td>122</td> <td>1/2</td> <td>2900</td> <td>1\"/&gt;  <tr> <td>U-37</td> <td>"</td> <td>"</td> <td>V-675</td> <td>122</td> <td>1/2</td> <td>2900</td> <td>1\"/&gt;  <tr> <td>U-38</td> <td>"</td> <td>"</td> <td>V-675</td> <td>122</td> <td>1/2</td> <td>2900</td> <td>1\"/&gt;  <tr> <td>U-39</td> <td>"</td> <td>"</td> <td>V-675</td> <td>122</td> <td>1/2</td> <td>2900</td> <td>1\"/&gt;  <tr> <td>U-40</td> <td>"</td> <td>"</td> <td>V-675</td> <td>122</td> <td>1/2</td> <td>2900</td> <td>1\"/&gt;  <tr> <td>U-41</td> <td>"</td> <td>"</td> <td>V-675</td> <td>122</td> <td>1/2</td> <td>2900</td> <td>1\"/&gt;  <tr> <td>U-42</td> <td>"</td> <td>"</td> <td>V-675</td> <td>122</td> <td>1/2</td> <td>2900</td> <td>1\"/&gt;  <tr> <td>U-43</td> <td>"</td> <td>"</td> <td>V-675</td> <td>122</td> <td>1/2</td> <td>2900</td> <td>1\"/&gt;  <tr> <td>U-44</td> <td>"</td> <td>"</td> <td>V-675</td> <td>122</td> <td>1/2</td> <td>2900</td> <td>1\"/&gt;  <tr> <td>U-45</td> <td>"</td> <td>"</td> <td>V-675</td> <td>122</td> <td>1/2</td> <td>2900</td> <td>1\"/&gt;  <tr> <td>U-46</td> <td>"</td> <td>"</td> <td>V-675</td> <td>122</td> <td>1/2</td> <td>2900</td> <td>1\"/&gt;  <tr> <td>U-47</td> <td>"</td> <td>"</td> <td>V-675</td> <td>122</td> <td>1/2</td> <td>2900</td> <td>1\"/&gt;  <tr> <td>U-48</td> <td>"</td> <td>"</td> <td>V-675</td> <td>122</td> <td>1/2</td> <td>2900</td> <td>1\"/&gt;  <tr> <td>U-49</td> <td>"</td> <td>"</td> <td>V-675</td> <td>122</td> <td>1/2</td> <td>2900</td> <td>1\"/&gt;  <tr> <td>U-50</td> <td>"</td> <td>"</td> <td>V-675</td> <td>122</td> <td>1/2</td> <td>2900</td> <td>1\"/&gt;  </td></tr></td></tr></td></tr></td></tr></td></tr></td></tr></td></tr></td></tr></td></tr></td></tr></td></tr></td></tr></td></tr></td></tr></td></tr></td></tr></td></tr></td></tr></td></tr>   | U-32 | " | " | V-675 | 122 | 1/2 | 2900 | 1\"/> <tr> <td>U-33</td> <td>"</td> <td>"</td> <td>V-675</td> <td>122</td> <td>1/2</td> <td>2900</td> <td>1\"/&gt;  <tr> <td>U-34</td> <td>"</td> <td>"</td> <td>V-675</td> <td>122</td> <td>1/2</td> <td>2900</td> <td>1\"/&gt;  <tr> <td>U-35</td> <td>"</td> <td>"</td> <td>V-675</td> <td>122</td> <td>1/2</td> <td>2900</td> <td>1\"/&gt;  <tr> <td>U-36</td> <td>"</td> <td>"</td> <td>V-675</td> <td>122</td> <td>1/2</td> <td>2900</td> <td>1\"/&gt;  <tr> <td>U-37</td> <td>"</td> <td>"</td> <td>V-675</td> <td>122</td> <td>1/2</td> <td>2900</td> <td>1\"/&gt;  <tr> <td>U-38</td> <td>"</td> <td>"</td> <td>V-675</td> <td>122</td> <td>1/2</td> <td>2900</td> <td>1\"/&gt;  <tr> <td>U-39</td> <td>"</td> <td>"</td> <td>V-675</td> <td>122</td> <td>1/2</td> <td>2900</td> <td>1\"/&gt;  <tr> <td>U-40</td> <td>"</td> <td>"</td> <td>V-675</td> <td>122</td> <td>1/2</td> <td>2900</td> <td>1\"/&gt;  <tr> <td>U-41</td> <td>"</td> <td>"</td> <td>V-675</td> <td>122</td> <td>1/2</td> <td>2900</td> <td>1\"/&gt;  <tr> <td>U-42</td> <td>"</td> <td>"</td> <td>V-675</td> <td>122</td> <td>1/2</td> <td>2900</td> <td>1\"/&gt;  <tr> <td>U-43</td> <td>"</td> <td>"</td> <td>V-675</td> <td>122</td> <td>1/2</td> <td>2900</td> <td>1\"/&gt;  <tr> <td>U-44</td> <td>"</td> <td>"</td> <td>V-675</td> <td>122</td> <td>1/2</td> <td>2900</td> <td>1\"/&gt;  <tr> <td>U-45</td> <td>"</td> <td>"</td> <td>V-675</td> <td>122</td> <td>1/2</td> <td>2900</td> <td>1\"/&gt;  <tr> <td>U-46</td> <td>"</td> <td>"</td> <td>V-675</td> <td>122</td> <td>1/2</td> <td>2900</td> <td>1\"/&gt;  <tr> <td>U-47</td> <td>"</td> <td>"</td> <td>V-675</td> <td>122</td> <td>1/2</td> <td>2900</td> <td>1\"/&gt;  <tr> <td>U-48</td> <td>"</td> <td>"</td> <td>V-675</td> <td>122</td> <td>1/2</td> <td>2900</td> <td>1\"/&gt;  <tr> <td>U-49</td> <td>"</td> <td>"</td> <td>V-675</td> <td>122</td> <td>1/2</td> <td>2900</td> <td>1\"/&gt;  <tr> <td>U-50</td> <td>"</td> <td>"</td> <td>V-675</td> <td>122</td> <td>1/2</td> <td>2900</td> <td>1\"/&gt;  </td></tr></td></tr></td></tr></td></tr></td></tr></td></tr></td></tr></td></tr></td></tr></td></tr></td></tr></td></tr></td></tr></td></tr></td></tr></td></tr></td></tr></td></tr>   | U-33 | " | " | V-675 | 122 | 1/2 | 2900 | 1\"/> <tr> <td>U-34</td> <td>"</td> <td>"</td> <td>V-675</td> <td>122</td> <td>1/2</td> <td>2900</td> <td>1\"/&gt;  <tr> <td>U-35</td> <td>"</td> <td>"</td> <td>V-675</td> <td>122</td> <td>1/2</td> <td>2900</td> <td>1\"/&gt;  <tr> <td>U-36</td> <td>"</td> <td>"</td> <td>V-675</td> <td>122</td> <td>1/2</td> <td>2900</td> <td>1\"/&gt;  <tr> <td>U-37</td> <td>"</td> <td>"</td> <td>V-675</td> <td>122</td> <td>1/2</td> <td>2900</td> <td>1\"/&gt;  <tr> <td>U-38</td> <td>"</td> <td>"</td> <td>V-675</td> <td>122</td> <td>1/2</td> <td>2900</td> <td>1\"/&gt;  <tr> <td>U-39</td> <td>"</td> <td>"</td> <td>V-675</td> <td>122</td> <td>1/2</td> <td>2900</td> <td>1\"/&gt;  <tr> <td>U-40</td> <td>"</td> <td>"</td> <td>V-675</td> <td>122</td> <td>1/2</td> <td>2900</td> <td>1\"/&gt;  <tr> <td>U-41</td> <td>"</td> <td>"</td> <td>V-675</td> <td>122</td> <td>1/2</td> <td>2900</td> <td>1\"/&gt;  <tr> <td>U-42</td> <td>"</td> <td>"</td> <td>V-675</td> <td>122</td> <td>1/2</td> <td>2900</td> <td>1\"/&gt;  <tr> <td>U-43</td> <td>"</td> <td>"</td> <td>V-675</td> <td>122</td> <td>1/2</td> <td>2900</td> <td>1\"/&gt;  <tr> <td>U-44</td> <td>"</td> <td>"</td> <td>V-675</td> <td>122</td> <td>1/2</td> <td>2900</td> <td>1\"/&gt;  <tr> <td>U-45</td> <td>"</td> <td>"</td> <td>V-675</td> <td>122</td> <td>1/2</td> <td>2900</td> <td>1\"/&gt;  <tr> <td>U-46</td> <td>"</td> <td>"</td> <td>V-675</td> <td>122</td> <td>1/2</td> <td>2900</td> <td>1\"/&gt;  <tr> <td>U-47</td> <td>"</td> <td>"</td> <td>V-675</td> <td>122</td> <td>1/2</td> <td>2900</td> <td>1\"/&gt;  <tr> <td>U-48</td> <td>"</td> <td>"</td> <td>V-675</td> <td>122</td> <td>1/2</td> <td>2900</td> <td>1\"/&gt;  <tr> <td>U-49</td> <td>"</td> <td>"</td> <td>V-675</td> <td>122</td> <td>1/2</td> <td>2900</td> <td>1\"/&gt;  <tr> <td>U-50</td> <td>"</td> <td>"</td> <td>V-675</td> <td>122</td> <td>1/2</td> <td>2900</td> <td>1\"/&gt;  </td></tr></td></tr></td></tr></td></tr></td></tr></td></tr></td></tr></td></tr></td></tr></td></tr></td></tr></td></tr></td></tr></td></tr></td></tr></td></tr></td></tr>   | U-34 | " | " | V-675 | 122 
 1/2 | 2900 | 1\"/> <tr> <td>U-35</td> <td>"</td> <td>"</td> <td>V-675</td> <td>122</td> <td>1/2</td> <td>2900</td> <td>1\"/&gt;  <tr> <td>U-36</td> <td>"</td> <td>"</td> <td>V-675</td> <td>122</td> <td>1/2</td> <td>2900</td> <td>1\"/&gt;  <tr> <td>U-37</td> <td>"</td> <td>"</td> <td>V-675</td> <td>122</td> <td>1/2</td> <td>2900</td> <td>1\"/&gt;  <tr> <td>U-38</td> <td>"</td> <td>"</td> <td>V-675</td> <td>122</td> <td>1/2</td> <td>2900</td> <td>1\"/&gt;  <tr> <td>U-39</td> <td>"</td> <td>"</td> <td>V-675</td> <td>122</td> <td>1/2</td> <td>2900</td> <td>1\"/&gt;  <tr> <td>U-40</td> <td>"</td> <td>"</td> <td>V-675</td> <td>122</td> <td>1/2</td> <td>2900</td> <td>1\"/&gt;  <tr> <td>U-41</td> <td>"</td> <td>"</td> <td>V-675</td> <td>122</td> <td>1/2</td> <td>2900</td> <td>1\"/&gt;  <tr> <td>U-42</td> <td>"</td> <td>"</td> <td>V-675</td> <td>122</td> <td>1/2</td> <td>2900</td> <td>1\"/&gt;  <tr> <td>U-43</td> <td>"</td> <td>"</td> <td>V-675</td> <td>122</td> <td>1/2</td> <td>2900</td> <td>1\"/&gt;  <tr> <td>U-44</td> <td>"</td> <td>"</td> <td>V-675</td> <td>122</td> <td>1/2</td> <td>2900</td> <td>1\"/&gt;  <tr> <td>U-45</td> <td>"</td> <td>"</td> <td>V-675</td> <td>122</td> <td>1/2</td> <td>2900</td> <td>1\"/&gt;  <tr> <td>U-46</td> <td>"</td> <td>"</td> <td>V-675</td> <td>122</td> <td>1/2</td> <td>2900</td> <td>1\"/&gt;  <tr> <td>U-47</td> <td>"</td> <td>"</td> <td>V-675</td> <td>122</td> <td>1/2</td> <td>2900</td> <td>1\"/&gt;  <tr> <td>U-48</td> <td>"</td> <td>"</td> <td>V-675</td> <td>122</td> <td>1/2</td> <td>2900</td> <td>1\"/&gt;  <tr> <td>U-49</td> <td>"</td> <td>"</td> <td>V-675</td> <td>122</td> <td>1/2</td> <td>2900</td> <td>1\"/&gt;  <tr> <td>U-50</td> <td>"</td> <td>"</td> <td>V-675</td> <td>122</td> <td>1/2</td> <td>2900</td> <td>1\"/&gt;  </td></tr></td></tr></td></tr></td></tr></td></tr></td></tr></td></tr></td></tr></td></tr></td></tr></td></tr></td></tr></td></tr></td></tr></td></tr></td></tr>   | U-35 | " | " | V-675 | 122 | 1/2 | 2900 | 1\"/> <tr> <td>U-36</td> <td>"</td> <td>"</td> <td>V-675</td> <td>122</td> <td>1/2</td> <td>2900</td> <td>1\"/&gt;  <tr> <td>U-37</td> <td>"</td> <td>"</td> <td>V-675</td> <td>122</td> <td>1/2</td> <td>2900</td> <td>1\"/&gt;  <tr> <td>U-38</td> <td>"</td> <td>"</td> <td>V-675</td> <td>122</td> <td>1/2</td> <td>2900</td> <td>1\"/&gt;  <tr> <td>U-39</td> <td>"</td> <td>"</td> <td>V-675</td> <td>122</td> <td>1/2</td> <td>2900</td> <td>1\"/&gt;  <tr> <td>U-40</td> <td>"</td> <td>"</td> <td>V-675</td> <td>122</td> <td>1/2</td> <td>2900</td> <td>1\"/&gt;  <tr> <td>U-41</td> <td>"</td> <td>"</td> <td>V-675</td> <td>122</td> <td>1/2</td> <td>2900</td> <td>1\"/&gt;  <tr> <td>U-42</td> <td>"</td> <td>"</td> <td>V-675</td> <td>122</td> <td>1/2</td> <td>2900</td> <td>1\"/&gt;  <tr> <td>U-43</td> <td>"</td> <td>"</td> <td>V-675</td> <td>122</td> <td>1/2</td> <td>2900</td> <td>1\"/&gt;  <tr> <td>U-44</td> <td>"</td> <td>"</td> <td>V-675</td> <td>122</td> <td>1/2</td> <td>2900</td> <td>1\"/&gt;  <tr> <td>U-45</td> <td>"</td> <td>"</td> <td>V-675</td> <td>122</td> <td>1/2</td> <td>2900</td> <td>1\"/&gt;  <tr> <td>U-46</td> <td>"</td> <td>"</td> <td>V-675</td> <td>122</td> <td>1/2</td> <td>2900</td> <td>1\"/&gt;  <tr> <td>U-47</td> <td>"</td> <td>"</td> <td>V-675</td> <td>122</td> <td>1/2</td> <td>2900</td> <td>1\"/&gt;  <tr> <td>U-48</td> <td>"</td> <td>"</td> <td>V-675</td> <td>122</td> <td>1/2</td> <td>2900</td> <td>1\"/&gt;  <tr> <td>U-49</td> <td>"</td> <td>"</td> <td>V-675</td> <td>122</td> <td>1/2</td> <td>2900</td> <td>1\"/&gt;  <tr> <td>U-50</td> <td>"</td> <td>"</td> <td>V-675</td> <td>122</td> <td>1/2</td> <td>2900</td> <td>1\"/&gt;  </td></tr></td></tr></td></tr></td></tr></td></tr></td></tr></td></tr></td></tr></td></tr></td></tr></td></tr></td></tr></td></tr></td></tr></td></tr>   | U-36 | " | " | V-675 | 122 | 1/2 | 2900 | 1\"/> <tr> <td>U-37</td> <td>"</td> <td>"</td> <td>V-675</td> <td>122</td> <td>1/2</td> <td>2900</td> <td>1\"/&gt;  <tr> <td>U-38</td> <td>"</td> <td>"</td> <td>V-675</td> <td>122</td> <td>1/2</td> <td>2900</td> <td>1\"/&gt;  <tr> <td>U-39</td> <td>"</td> <td>"</td> <td>V-675</td> <td>122</td> <td>1/2</td> <td>2900</td> <td>1\"/&gt;  <tr> <td>U-40</td> <td>"</td> <td>"</td> <td>V-675</td> <td>122</td> <td>1/2</td> <td>2900</td> <td>1\"/&gt;  <tr> <td>U-41</td> <td>"</td> <td>"</td> <td>V-675</td> <td>122</td> <td>1/2</td> <td>2900</td> <td>1\"/&gt;  <tr> <td>U-42</td> <td>"</td> <td>"</td> <td>V-675</td> <td>122</td> <td>1/2</td> <td>2900</td> <td>1\"/&gt;  <tr> <td>U-43</td> <td>"</td> <td>"</td> <td>V-675</td> <td>122</td> <td>1/2</td> <td>2900</td> <td>1\"/&gt;  <tr> <td>U-44</td> <td>"</td> <td>"</td> <td>V-675</td> <td>122</td> <td>1/2</td> <td>2900</td> <td>1\"/&gt;  <tr> <td>U-45</td> <td>"</td> <td>"</td> <td>V-675</td> <td>122</td> <td>1/2</td> <td>2900</td> <td>1\"/&gt;  <tr> <td>U-46</td> <td>"</td> <td>"</td> <td>V-675</td> <td>122</td> <td>1/2</td> <td>2900</td> <td>1\"/&gt;  <tr> <td>U-47</td> <td>"</td> <td>"</td> <td>V-675</td> <td>122</td> <td>1/2</td> <td>2900</td> <td>1\"/&gt;  <tr> <td>U-48</td> <td>"</td> <td>"</td> <td>V-675</td> <td>122</td> <td>1/2</td> <td>2900</td> <td>1\"/&gt;  <tr> <td>U-49</td> <td>"</td> <td>"</td> <td>V-675</td> <td>122</td> <td>1/2</td> <td>2900</td> <td>1\"/&gt;  <tr> <td>U-50</td> <td>"</td> <td>"</td> <td>V-675</td> <td>122</td> <td>1/2</td> <td>2900</td> <td>1\"/&gt;  </td></tr></td></tr></td></tr></td></tr></td></tr></td></tr></td></tr></td></tr></td></tr></td></tr></td></tr></td></tr></td></tr></td></tr>   | U-37 | " | " | V-675 | 122 | 1/2 | 2900 | 1\"/> <tr> <td>U-38</td> <td>"</td> <td>"</td> <td>V-675</td> <td>122</td> <td>1/2</td> <td>2900</td> <td>1\"/&gt;  <tr> <td>U-39</td> <td>"</td> <td>"</td> <td>V-675</td> <td>122</td> <td>1/2</td> <td>2900</td> <td>1\"/&gt;  <tr> <td>U-40</td> <td>"</td> <td>"</td> <td>V-675</td> <td>122</td> <td>1/2</td> <td>2900</td> <td>1\"/&gt;  <tr> <td>U-41</td> <td>"</td> <td>"</td> <td>V-675</td> <td>122</td> <td>1/2</td> <td>2900</td> <td>1\"/&gt;  <tr> <td>U-42</td> <td>"</td> <td>"</td> <td>V-675</td> <td>122</td> <td>1/2</td> <td>2900</td> <td>1\"/&gt;  <tr> <td>U-43</td> <td>"</td> <td>"</td> <td>V-675</td> <td>122</td> <td>1/2</td> <td>2900</td> <td>1\"/&gt;  <tr> <td>U-44</td> <td>"</td> <td>"</td> <td>V-675</td> <td>122</td> <td>1/2</td> <td>2900</td> <td>1\"/&gt;  <tr> <td>U-45</td> <td>"</td> <td>"</td> <td>V-675</td> <td>122</td> <td>1/2</td> <td>2900</td> <td>1\"/&gt;  <tr> <td>U-46</td> <td>"</td> <td>"</td> <td>V-675</td> <td>122</td> <td>1/2</td> <td>2900</td> <td>1\"/&gt;  <tr> <td>U-47</td> <td>"</td> <td>"</td> <td>V-675</td> <td>122</td> <td>1/2</td> <td>2900</td> <td>1\"/&gt;  <tr> <td>U-48</td> <td>"</td> <td>"</td> <td>V-675</td> <td>122</td> <td>1/2</td> <td>2900</td> <td>1\"/&gt;  <tr> <td>U-49</td> <td>"</td> <td>"</td> <td>V-675</td> <td>122</td> <td>1/2</td> <td>2900</td> <td>1\"/&gt;  <tr> <td>U-50</td> <td>"</td> <td>"</td> <td>V-675</td> <td>122</td> <td>1/2</td> <td>2900</td> <td>1\"/&gt;  </td></tr></td></tr></td></tr></td></tr></td></tr></td></tr></td></tr></td></tr></td></tr></td></tr></td></tr></td></tr></td></tr>  
  | U-38 | " | " | V-675 | 122 | 1/2 | 2900 | 1\"/> <tr> <td>U-39</td> <td>"</td> <td>"</td> <td>V-675</td> <td>122</td> <td>1/2</td> <td>2900</td> <td>1\"/&gt;  <tr> <td>U-40</td> <td>"</td> <td>"</td> <td>V-675</td> <td>122</td> <td>1/2</td> <td>2900</td> <td>1\"/&gt;  <tr> <td>U-41</td> <td>"</td> <td>"</td> <td>V-675</td> <td>122</td> <td>1/2</td> <td>2900</td> <td>1\"/&gt;  <tr> <td>U-42</td> <td>"</td> <td>"</td> <td>V-675</td> <td>122</td> <td>1/2</td> <td>2900</td> <td>1\"/&gt;  <tr> <td>U-43</td> <td>"</td> <td>"</td> <td>V-675</td> <td>122</td> <td>1/2</td> <td>2900</td> <td>1\"/&gt;  <tr> <td>U-44</td> <td>"</td> <td>"</td> <td>V-675</td> <td>122</td> <td>1/2</td> <td>2900</td> <td>1\"/&gt;  <tr> <td>U-45</td> <td>"</td> <td>"</td> <td>V-675</td> <td>122</td> <td>1/2</td> <td>2900</td> <td>1\"/&gt;  <tr> <td>U-46</td> <td>"</td> <td>"</td> <td>V-675</td> <td>122</td> <td>1/2</td> <td>2900</td> <td>1\"/&gt;  <tr> <td>U-47</td> <td>"</td> <td>"</td> <td>V-675</td> <td>122</td> <td>1/2</td> <td>2900</td> <td>1\"/&gt;  <tr> <td>U-48</td> <td>"</td> <td>"</td> <td>V-675</td> <td>122</td> <td>1/2</td> <td>2900</td> <td>1\"/&gt;  <tr> <td>U-49</td> <td>"</td> <td>"</td> <td>V-675</td> <td>122</td> <td>1/2</td> <td>2900</td> <td>1\"/&gt;  <tr> <td>U-50</td> <td>"</td> <td>"</td> <td>V-675</td> <td>122</td> <td>1/2</td> <td>2900</td> <td>1\"/&gt;  </td></tr></td></tr></td></tr></td></tr></td></tr></td></tr></td></tr></td></tr></td></tr></td></tr></td></tr></td></tr>   | U-39 | " | " | V-675 | 122 | 1/2 | 2900 | 1\"/> <tr> <td>U-40</td> <td>"</td> <td>"</td> <td>V-675</td> <td>122</td> <td>1/2</td> <td>2900</td> <td>1\"/&gt;  <tr> <td>U-41</td> <td>"</td> <td>"</td> <td>V-675</td> <td>122</td> <td>1/2</td> <td>2900</td> <td>1\"/&gt;  <tr> <td>U-42</td> <td>"</td> <td>"</td> <td>V-675</td> <td>122</td> <td>1/2</td> <td>2900</td> <td>1\"/&gt;  <tr> <td>U-43</td> <td>"</td> <td>"</td> <td>V-675</td> <td>122</td> <td>1/2</td> <td>2900</td> <td>1\"/&gt;  <tr> <td>U-44</td> <td>"</td> <td>"</td> <td>V-675</td> <td>122</td> <td>1/2</td> <td>2900</td> <td>1\"/&gt;  <tr> <td>U-45</td> <td>"</td> <td>"</td> <td>V-675</td> <td>122</td> <td>1/2</td> <td>2900</td> <td>1\"/&gt;  <tr> <td>U-46</td> <td>"</td> <td>"</td> <td>V-675</td> <td>122</td> <td>1/2</td> <td>2900</td> <td>1\"/&gt;  <tr> <td>U-47</td> <td>"</td> <td>"</td> <td>V-675</td> <td>122</td> <td>1/2</td> <td>2900</td> <td>1\"/&gt;  <tr> <td>U-48</td> <td>"</td> <td>"</td> <td>V-675</td> <td>122</td> <td>1/2</td> <td>2900</td> <td>1\"/&gt;  <tr> <td>U-49</td> <td>"</td> <td>"</td> <td>V-675</td> <td>122</td> <td>1/2</td> <td>2900</td> <td>1\"/&gt;  <tr> <td>U-50</td> <td>"</td> <td>"</td> <td>V-675</td> <td>122</td> <td>1/2</td> <td>2900</td> <td>1\"/&gt;  </td></tr></td></tr></td></tr></td></tr></td></tr></td></tr></td></tr></td></tr></td></tr></td></tr></td></tr>   | U-40 | " | " | V-675 | 122 | 1/2 | 2900 | 1\"/> <tr> <td>U-41</td> <td>"</td> <td>"</td> <td>V-675</td> <td>122</td> <td>1/2</td> <td>2900</td> <td>1\"/&gt;  <tr> <td>U-42</td> <td>"</td> <td>"</td> <td>V-675</td> <td>122</td> <td>1/2</td> <td>2900</td> <td>1\"/&gt;  <tr> <td>U-43</td> <td>"</td> <td>"</td> <td>V-675</td> <td>122</td> <td>1/2</td> <td>2900</td> <td>1\"/&gt;  <tr> <td>U-44</td> <td>"</td> <td>"</td> <td>V-675</td> <td>122</td> <td>1/2</td> <td>2900</td> <td>1\"/&gt;  <tr> <td>U-45</td> <td>"</td> <td>"</td> <td>V-675</td> <td>122</td> <td>1/2</td> <td>2900</td> <td>1\"/&gt;  <tr> <td>U-46</td> <td>"</td> <td>"</td> <td>V-675</td> <td>122</td> <td>1/2</td> <td>2900</td> <td>1\"/&gt;  <tr> <td>U-47</td> <td>"</td> <td>"</td> <td>V-675</td> <td>122</td> <td>1/2</td> <td>2900</td> <td>1\"/&gt;  <tr> <td>U-48</td> <td>"</td> <td>"</td> <td>V-675</td> <td>122</td> <td>1/2</td> <td>2900</td> <td>1\"/&gt;  <tr> <td>U-49</td> <td>"</td> <td>"</td> <td>V-675</td> <td>122</td> <td>1/2</td> <td>2900</td> <td>1\"/&gt;  <tr> <td>U-50</td> <td>"</td> <td>"</td> <td>V-675</td> <td>122</td> <td>1/2</td> <td>2900</td> <td>1\"/&gt;  </td></tr></td></tr></td></tr></td></tr></td></tr></td></tr></td></tr></td></tr></td></tr></td></tr>   | U-41 | " | " | V-675 | 122 | 1/2 | 2900 | 1\"/> <tr> <td>U-42</td> <td>"</td> <td>"</td> <td>V-675</td> <td>122</td> <td>1/2</td> <td>2900</td> <td>1\"/&gt;  <tr> <td>U-43</td> <td>"</td> <td>"</td> <td>V-675</td> <td>122</td> <td>1/2</td> <td>2900</td> <td>1\"/&gt;  <tr> <td>U-44</td> <td>"</td> <td>"</td> <td>V-675</td> <td>122</td> <td>1/2</td> <td>2900</td> <td>1\"/&gt;  <tr> <td>U-45</td> <td>"</td> <td>"</td> <td>V-675</td> <td>122</td> <td>1/2</td> <td>2900</td> <td>1\"/&gt;  <tr> <td>U-46</td> <td>"</td> <td>"</td> <td>V-675</td> <td>122</td> <td>1/2</td> <td>2900</td> <td>1\"/&gt;  <tr> <td>U-47</td> <td>"</td> <td>"</td> <td>V-675</td> <td>122</td> <td>1/2</td> <td>2900</td> <td>1\"/&gt;  <tr> <td>U-48</td> <td>"</td> <td>"</td> <td>V-675</td> <td>122</td> <td>1/2</td> <td>2900</td> <td>1\"/&gt;  <tr> <td>U-49</td> <td>"</td> <td>"</td> <td>V-675</td> <td>122</td> <td>1/2</td> <td>2900</td> <td>1\"/&gt;  <tr> <td>U-50</td> <td>"</td> <td>"</td> <td>V-675</td> <td>122</td> <td>1/2</td> <td>2900</td> <td>1\"/&gt;  </td></tr></td></tr></td></tr></td></tr></td></tr></td></tr></td></tr></td></tr></td></tr>   | U-42 | " | " | V-675 | 122 | 1/2 | 2900 | 1\"/> <tr> <td>U-43</td> <td>"</td> <td>"</td> <td>V-675</td> <td>122</td> <td>1/2</td> <td>2900</td> <td>1\"/&gt;  <tr> <td>U-44</td> <td>"</td> <td>"</td> <td>V-675</td> <td>122</td> <td>1/2</td> <td>2900</td> <td>1\"/&gt;  <tr> <td>U-45</td> <td>"</td> <td>"</td> <td>V-675</td> <td>122</td> <td>1/2</td> <td>2900</td> <td>1\"/&gt;  <tr> <td>U-46</td> <td>"</td> <td>"</td> <td>V-675</td> <td>122</td> <td>1/2</td> <td>2900</td> <td>1\"/&gt;  <tr> <td>U-47</td> <td>"</td> <td>"</td> <td>V-675</td> <td>122</td> <td>1/2</td> <td>2900</td> <td>1\"/&gt;  <tr> <td>U-48</td> <td>"</td> <td>"</td> <td>V-675</td> <td>122</td> <td>1/2</td> <td>2900</td> <td>1\"/&gt;  <tr> <td>U-49</td> <td>"</td> <td>"</td> <td>V-675</td> <td>122</td> <td>1/2</td> <td>2900</td> <td>1\"/&gt;  <tr> <td>U-50</td> <td>"</td> <td>"</td> <td>V-675</td> <td>122</td> <td>1/2</td>
<td>2900</td> <td>1\"/&gt;  </td></tr></td></tr></td></tr></td></tr></td></tr></td></tr></td></tr></td></tr>   | U-43 | " | " | V-675 | 122 | 1/2 | 2900 | 1\"/> <tr> <td>U-44</td> <td>"</td> <td>"</td> <td>V-675</td> <td>122</td> <td>1/2</td> <td>2900</td> <td>1\"/&gt;  <tr> <td>U-45</td> <td>"</td> <td>"</td> <td>V-675</td> <td>122</td> <td>1/2</td> <td>2900</td> <td>1\"/&gt;  <tr> <td>U-46</td> <td>"</td> <td>"</td> <td>V-675</td> <td>122</td> <td>1/2</td> <td>2900</td> <td>1\"/&gt;  <tr> <td>U-47</td> <td>"</td> <td>"</td> <td>V-675</td> <td>122</td> <td>1/2</td> <td>2900</td> <td>1\"/&gt;  <tr> <td>U-48</td> <td>"</td> <td>"</td> <td>V-675</td> <td>122</td> <td>1/2</td> <td>2900</td> <td>1\"/&gt;  <tr> <td>U-49</td> <td>"</td> <td>"</td> <td>V-675</td> <td>122</td> <td>1/2</td> <td>2900</td> <td>1\"/&gt;  <tr> <td>U-50</td> <td>"</td> <td>"</td> <td>V-675</td> <td>122</td> <td>1/2</td> <td>2900</td> <td>1\"/&gt;  </td></tr></td></tr></td></tr></td></tr></td></tr></td></tr></td></tr>   | U-44 | " | " | V-675 | 122 | 1/2 | 2900 | 1\"/> <tr> <td>U-45</td> <td>"</td> <td>"</td> <td>V-675</td> <td>122</td> <td>1/2</td> <td>2900</td> <td>1\"/&gt;  <tr> <td>U-46</td> <td>"</td> <td>"</td> <td>V-675</td> <td>122</td> <td>1/2</td> <td>2900</td> <td>1\"/&gt;  <tr> <td>U-47</td> <td>"</td> <td>"</td> <td>V-675</td> <td>122</td> <td>1/2</td> <td>2900</td> <td>1\"/&gt;  <tr> <td>U-48</td> <td>"</td> <td>"</td> <td>V-675</td> <td>122</td> <td>1/2</td> <td>2900</td> <td>1\"/&gt;  <tr> <td>U-49</td> <td>"</td> <td>"</td> <td>V-675</td> <td>122</td> <td>1/2</td> <td>2900</td> <td>1\"/&gt;  <tr> <td>U-50</td> <td>"</td> <td>"</td> <td>V-675</td> <td>122</td> <td>1/2</td> <td>2900</td> <td>1\"/&gt;  </td></tr></td></tr></td></tr></td></tr></td></tr></td></tr>   | U-45 | " | " | V-675 | 122 | 1/2 | 2900 | 1\"/> <tr> <td>U-46</td> <td>"</td> <td>"</td> <td>V-675</td> <td>122</td> <td>1/2</td> <td>2900</td> <td>1\"/&gt;  <tr> <td>U-47</td> <td>"</td> <td>"</td> <td>V-675</td> <td>122</td> <td>1/2</td> <td>2900</td> <td>1\"/&gt;  <tr> <td>U-48</td> <td>"</td> <td>"</td> <td>V-675</td> <td>122</td> <td>1/2</td> <td>2900</td> <td>1\"/&gt;  <tr> <td>U-49</td> <td>"</td> <td>"</td> <td>V-675</td> <td>122</td> <td>1/2</td> <td>2900</td> <td>1\"/&gt;  <tr> <td>U-50</td> <td>"</td> <td>"</td> <td>V-675</td> <td>122</td> <td>1/2</td> <td>2900</td> <td>1\"/&gt;  </td></tr></td></tr></td></tr></td></tr></td></tr>   | U-46 | " | " | V-675 | 122 | 1/2 | 2900 | 1\"/> <tr> <td>U-47</td> <td>"</td> <td>"</td> <td>V-675</td> <td>122</td> <td>1/2</td> <td>2900</td> <td>1\"/&gt;  <tr> <td>U-48</td> <td>"</td> <td>"</td> <td>V-675</td> <td>122</td> <td>1/2</td> <td>2900</td> <td>1\"/&gt;  <tr> <td>U-49</td> <td>"</td> <td>"</td> <td>V-675</td> <td>122</td> <td>1/2</td> <td>2900</td> <td>1\"/&gt;  <tr> <td>U-50</td> <td>"</td> <td>"</td> <td>V-675</td> <td>122</td> <td>1/2</td> <td>2900</td> <td>1\"/&gt;  </td></tr></td></tr></td></tr></td></tr>   | U-47 | " | " | V-675 | 122 | 1/2 | 2900 | 1\"/> <tr> <td>U-48</td> <td>"</td> <td>"</td> <td>V-675</td> <td>122</td> <td>1/2</td> <td>2900</td> <td>1\"/&gt;  <tr> <td>U-49</td> <td>"</td> <td>"</td> <td>V-675</td> <td>122</td> <td>1/2</td> <td>2900</td> <td>1\"/&gt;  <tr> <td>U-50</td> <td>"</td> <td>"</td> <td>V-675</td> <td>122</td> <td>1/2</td> <td>2900</td> <td>1\"/&gt;  </td></tr></td></tr></td></tr>   | U-48 | " | " | V-675 | 122 | 1/2 | 2900 | 1\"/> <tr> <td>U-49</td> <td>"</td> <td>"</td> <td>V-675</td> <td>122</td> <td>1/2</td> <td>2900</td> <td>1\"/&gt;  <tr> <td>U-50</td> <td>"</td> <td>"</td> <td>V-675</td> <td>122</td> <td>1/2</td> <td>2900</td> <td>1\"/&gt;  </td></tr></td></tr>   | U-49 | " | " | V-675 | 122 | 1/2 | 2900 | 1\"/> <tr> <td>U-50</td> <td>"</td> <td>"</td> <td>V-675</td> <td>122</td> <td>1/2</td> <td>2900</td> <td>1\"/&gt;  </td></tr>  
  | U-50 | " | " | V-675 | 122 | 1/2 | 2900 | 1\"/>  |      |   |   |       |     |     |      |  |      |   |   |       |     |     |      |  |      |   |   |       |     |     |      |  |      |   |   |       |     |     |      |  |      |   |   |       |     |     |      |  |      |   |   |       |     |     |      |  |      |   |   |       |     |     |      |       |
| U-3  | "             | "                       | H3-720   | 141  | 1/2           | 4770    | 1\"/> <tr> <td>U-4</td> <td>"</td> <td>"</td> <td>V-675</td> <td>122</td> <td>1/2</td> <td>2900</td> <td>1\"/&gt;  <tr> <td>U-5</td> <td>"</td> <td>"</td> <td>V-675</td> <td>122</td> <td>1/2</td> <td>2900</td> <td>1\"/&gt;  <tr> <td>U-6</td> <td>"</td> <td>"</td> <td>V-675</td> <td>122</td> <td>1/2</td> <td>2900</td> <td>1\"/&gt;  <tr> <td>U-7</td> <td>"</td> <td>"</td> <td>V-675</td> <td>122</td> <td>1/2</td> <td>2900</td> <td>1\"/&gt;  <tr> <td>U-8</td> <td>"</td> <td>"</td> <td>V-675</td> <td>122</td> <td>1/2</td> <td>2900</td> <td>1\"/&gt;  <tr> <td>U-9</td> <td>"</td> <td>"</td> <td>V-675</td> <td>122</td> <td>1/2</td> <td>2900</td> <td>1\"/&gt;  <tr> <td>U-10</td> <td>"</td> <td>"</td> <td>V-675</td> <td>122</td> <td>1/2</td> <td>2900</td> <td>1\"/&gt;  <tr> <td>U-11</td> <td>"</td> <td>"</td> <td>V-675</td> <td>122</td> <td>1/2</td> <td>2900</td> <td>1\"/&gt;  <tr> <td>U-12</td> <td>"</td> <td>"</td> <td>V-675</td> <td>122</td> <td>1/2</td> <td>2900</td> <td>1\"/&gt;  <tr> <td>U-13</td> <td>"</td> <td>"</td> <td>V-675</td> <td>122</td> <td>1/2</td> <td>2900</td> <td>1\"/&gt;  <tr> <td>U-14</td> <td>"</td> <td>"</td> <td>V-675</td> <td>122</td> <td>1/2</td> <td>2900</td> <td>1\"/&gt;  <tr> <td>U-15</td> <td>"</td> <td>"</td> <td>V-675</td> <td>122</td> <td>1/2</td> <td>2900</td> <td>1\"/&gt;  <tr> <td>U-16</td> <td>"</td> <td>"</td> <td>V-675</td> <td>122</td> <td>1/2</td> <td>2900</td> <td>1\"/&gt;  <tr> <td>U-17</td> <td>"</td> <td>"</td> <td>V-675</td> <td>122</td> <td>1/2</td> <td>2900</td> <td>1\"/&gt;  <tr> <td>U-18</td> <td>"</td> <td>"</td> <td>V-675</td> <td>122</td> <td>1/2</td> <td>2900</td> <td>1\"/&gt;  <tr> <td>U-19</td> <td>"</td> <td>"</td> <td>V-675</td> <td>122</td> <td>1/2</td> <td>2900</td> <td>1\"/&gt;  <tr> <td>U-20</td> <td>"</td> <td>"</td> <td>V-675</td> <td>122</td> <td>1/2</td> <td>2900</td> <td>1\"/&gt;  <tr> <td>U-21</td> <td>"</td> <td>"</td> <td>V-675</td> <td>122</td> <td>1/2</td> <td>2900</td> <td>1\"/&gt;  <tr> <td>U-22</td> <td>"</td> <td>"</td> <td>V-675</td> <td>122</td> <td>1/2</td> <td>2900</td> <td>1\"/&gt;  <tr> <td>U-23</td> <td>"</td> <td>"</td> <td>V-675</td> <td>122</td> <td>1/2</td> <td>2900</td> <td>1\"/&gt;  <tr> <td>U-24</td> <td>"</td> <td>"</td> <td>V-675</td> <td>122</td> <td>1/2</td> <td>2900</td> <td>1\"/&gt;  <tr> <td>U-25</td> <td>"</td> <td>"</td> <td>V-675</td> <td>122</td> <td>1/2</td> <td>2900</td> <td>1\"/&gt;  <tr> <td>U-26</td> <td>"</td> <td>"</td> <td>V-675</td> <td>122</td> <td>1/2</td> <td>2900</td> <td>1\"/&gt;  <tr> <td>U-27</td> <td>"</td> <td>"</td> <td>V-675</td> <td>122</td> <td>1/2</td> <td>2900</td> <td>1\"/&gt;  <tr> <td>U-28</td> <td>"</td> <td>"</td> <td>V-675</td> <td>122</td> <td>1/2</td> <td>2900</td> <td>1\"/&gt;  <tr> <td>U-29</td> <td>"</td> <td>"</td> <td>V-675</td> <td>122</td> <td>1/2</td> <td>2900</td> <td>1\"/&gt;  <tr> <td>U-30</td> <td>"</td> <td>"</td> <td>V-675</td> <td>122</td> <td>1/2</td> <td>2900</td> <td>1\"/&gt;  <tr> <td>U-31</td> <td>"</td> <td>"</td> <td>V-675</td> <td>122</td> <td>1/2</td> <td>2900</td> <td>1\"/&gt;  <tr> <td>U-32</td> <td>"</td> <td>"</td> <td>V-675</td> <td>122</td> <td>1/2</td> <td>2900</td> <td>1\"/&gt;  <tr> <td>U-33</td> <td>"</td> <td>"</td> <td>V-675</td> <td>122</td> <td>1/2</td> <td>2900</td> <td>1\"/&gt;  <tr> <td>U-34</td> <td>"</td> <td>"</td> <td>V-675</td> <td>122</td> <td>1/2</td> <td>2900</td> <td>1\"/&gt;  <tr> <td>U-35</td> <td>"</td> <td>"</td> <td>V-675</td> <td>122</td> <td>1/2</td> <td>2900</td> <td>1\"/&gt;  <tr> <td>U-36</td> <td>"</td> <td>"</td> <td>V-675</td> <td>122</td> <td>1/2</td> <td>2900</td> <td>1\"/&gt;  <tr> <td>U-37</td> <td>"</td> <td>"</td> <td>V-675</td> <td>122</td> <td>1/2</td> <td>2900</td> <td>1\"/&gt;  <tr> <td>U-38</td> <td>"</td> <td>"</td> <td>V-675</td> <td>122</td> <td>1/2</td> <td>2900</td> <td>1\"/&gt;  <tr> <td>U-39</td> <td>"</td> <td>"</td> <td>V-675</td> <td>122</td> <td>1/2</td> <td>2900</td> <td>1\"/&gt;  <tr> <td>U-40</td> <td>"</td> <td>"</td> <td>V-675</td> <td>122</td> <td>1/2</td> <td>2900</td> <td>1\"/&gt;  <tr> <td>U-41</td> <td>"</td> <td>"</td> <td>V-675</td> <td>122</td> <td>1/2</td> <td>2900</td> <td>1\"/&gt;  <tr> <td>U-42</td> <td>"</td> <td>"</td> <td>V-675</td> <td>122</td> <td>1/2</td> <td>2900</td> <td>1\"/&gt;  <tr> <td>U-43</td> <td>"</td> <td>"</td> <td>V-675</td> <td>122</td> <td>1/2</td> <td>2900</td> <td>1\"/&gt;  <tr> <td>U-44</td> <td>"</td> <td>"</td> <td>V-675</td> <td>122</td> <td>1/2</td> <td>2900</td> <td>1\"/&gt;  <tr> <td>U-45</td> <td>"</td> <td>"</td> <td>V-675</td> <td>122</td> <td>1/2</td> <td>2900</td> <td>1\"/&gt;  <tr> <td>U-46</td> <td>"</td> <td>"</td> <td>V-675</td> <td>122</td> <td>1/2</td> <td>2900</td> <td>1\"/&gt;  <tr> <td>U-47</td> <td>"</td> <td>"</td> <td>V-675</td> <td>122</td> <td>1/2</td> <td>2900</td> <td>1\"/&gt;  <tr> <td>U-48</td> <td>"</td> <td>"</td> <td>V-675</td> <td>122</td> <td>1/2</td> <td>2900</td> <td>1\"/&gt;  <tr> <td>U-49</td> <td>"</td> <td>"</td> <td>V-675</td> <td>122</td> <td>1/2</td> <td>2900</td> <td>1\"/&gt;  <tr> <td>U-50</td> <td>"</td> <td>"</td> <td>V-675</td> <td>122</td> <td>1/2</td> <td>2900</td> <td>1\"/&gt;  </td></tr></td></tr></td></tr></td></tr></td></tr></td></tr></td></tr></td></tr></td></tr></td></tr></td></tr></td></tr></td></tr></td></tr></td></tr></td></tr></td></tr></td></tr></td></tr></td></tr></td></tr></td></tr></td></tr></td></tr></td></tr></td></tr></td></tr></td></tr></td></tr></td></tr></td></tr></td></tr></td></tr></td></tr></td></tr></td></tr></td></tr></td></tr></td></tr></td></tr></td></tr></td></tr></td></tr></td></tr></td></tr></td></tr></td></tr>  | U-4  | " | " | V-675  | 122  | 1/2 | 2900   | 1\"/> <tr> <td>U-5</td> <td>"</td> <td>"</td> <td>V-675</td> <td>122</td> <td>1/2</td> <td>2900</td> <td>1\"/&gt;  <tr> <td>U-6</td> <td>"</td> <td>"</td> <td>V-675</td> <td>122</td> <td>1/2</td> <td>2900</td> <td>1\"/&gt;  <tr> <td>U-7</td> <td>"</td> <td>"</td> <td>V-675</td> <td>122</td> <td>1/2</td> <td>2900</td> <td>1\"/&gt;  <tr> <td>U-8</td> <td>"</td> <td>"</td> <td>V-675</td> <td>122</td> <td>1/2</td> <td>2900</td> <td>1\"/&gt;  <tr> <td>U-9</td> <td>"</td> <td>"</td> <td>V-675</td> <td>122</td> <td>1/2</td> <td>2900</td> <td>1\"/&gt;  <tr> <td>U-10</td> <td>"</td> <td>"</td> <td>V-675</td> <td>122</td> <td>1/2</td> <td>2900</td> <td>1\"/&gt;  <tr> <td>U-11</td> <td>"</td> <td>"</td> <td>V-675</td> <td>122</td> <td>1/2</td> <td>2900</td> <td>1\"/&gt;  <tr> <td>U-12</td> <td>"</td> <td>"</td> <td>V-675</td> <td>122</td> <td>1/2</td> <td>2900</td> <td>1\"/&gt;  <tr> <td>U-13</td> <td>"</td> <td>"</td> <td>V-675</td> <td>122</td> <td>1/2</td> <td>2900</td> <td>1\"/&gt;  <tr> <td>U-14</td> <td>"</td> <td>"</td> <td>V-675</td> <td>122</td> <td>1/2</td> <td>2900</td> <td>1\"/&gt;  <tr> <td>U-15</td> <td>"</td> <td>"</td> <td>V-675</td> <td>122</td> <td>1/2</td> <td>2900</td> <td>1\"/&gt;  <tr> <td>U-16</td> <td>"</td> <td>"</td> <td>V-675</td> <td>122</td> <td>1/2</td> <td>2900</td> <td>1\"/&gt;  <tr> <td>U-17</td> <td>"</td> <td>"</td> <td>V-675</td> <td>122</td> <td>1/2</td> <td>2900</td> <td>1\"/&gt;  <tr> <td>U-18</td> <td>"</td> <td>"</td> <td>V-675</td> <td>122</td> <td>1/2</td> <td>2900</td> <td>1\"/&gt;  <tr> <td>U-19</td> <td>"</td> <td>"</td> <td>V-675</td> <td>122</td> <td>1/2</td> <td>2900</td> <td>1\"/&gt;  <tr> <td>U-20</td> <td>"</td> <td>"</td> <td>V-675</td> <td>122</td> <td>1/2</td> <td>2900</td> <td>1\"/&gt;  <tr> <td>U-21</td> <td>"</td> <td>"</td> <td>V-675</td> <td>122</td> <td>1/2</td> <td>2900</td> <td>1\"/&gt;  <tr> <td>U-22</td> <td>"</td> <td>"</td> <td>V-675</td> <td>122</td> <td>1/2</td> <td>2900</td> <td>1\"/&gt;  <tr> <td>U-23</td> <td>"</td> <td>"</td> <td>V-675</td> <td>122</td> <td>1/2</td> <td>2900</td> <td>1\"/&gt;  <tr> <td>U-24</td> <td>"</td> <td>"</td> <td>V-675</td> <td>122</td> <td>1/2</td> <td>2900</td> <td>1\"/&gt;  <tr> <td>U-25</td> <td>"</td> <td>"</td> <td>V-675</td> <td>122</td> <td>1/2</td> <td>2900</td> <td>1\"/&gt;  <tr> <td>U-26</td> <td>"</td> <td>"</td> <td>V-675</td> <td>122</td> <td>1/2</td> <td>2900</td> <td>1\"/&gt;  <tr> <td>U-27</td> <td>"</td> <td>"</td> <td>V-675</td> <td>122</td> <td>1/2</td> <td>2900</td> <td>1\"/&gt;  <tr> <td>U-28</td> <td>"</td> <td>"</td> <td>V-675</td> <td>122</td> <td>1/2</td> <td>2900</td> <td>1\"/&gt;  <tr> <td>U-29</td> <td>"</td> <td>"</td> <td>V-675</td> <td>122</td> <td>1/2</td> <td>2900</td> <td>1\"/&gt;  <tr> <td>U-30</td> <td>"</td> <td>"</td> <td>V-675</td> <td>122</td> <td>1/2</td> <td>2900</td> <td>1\"/&gt;  <tr> <td>U-31</td> <td>"</td> <td>"</td> <td>V-675</td> <td>122</td> <td>1/2</td> <td>2900</td> <td>1\"/&gt;  <tr> <td>U-32</td> <td>"</td> <td>"</td> <td>V-675</td> <td>122</td> <td>1/2</td> <td>2900</td> <td>1\"/&gt;  <tr> <td>U-33</td> <td>"</td> <td>"</td> <td>V-675</td> <td>122</td> <td>1/2</td> <td>2900</td> <td>1\"/&gt;  <tr> <td>U-34</td> <td>"</td> <td>"</td> <td>V-675</td> <td>122</td> <td>1/2</td> <td>2900</td> <td>1\"/&gt;  <tr>
<td>U-35</td> <td>"</td> <td>"</td> <td>V-675</td> <td>122</td> <td>1/2</td> <td>2900</td> <td>1\"/&gt;  <tr> <td>U-36</td> <td>"</td> <td>"</td> <td>V-675</td> <td>122</td> <td>1/2</td> <td>2900</td> <td>1\"/&gt;  <tr> <td>U-37</td> <td>"</td> <td>"</td> <td>V-675</td> <td>122</td> <td>1/2</td> <td>2900</td> <td>1\"/&gt;  <tr> <td>U-38</td> <td>"</td> <td>"</td> <td>V-675</td> <td>122</td> <td>1/2</td> <td>2900</td> <td>1\"/&gt;  <tr> <td>U-39</td> <td>"</td> <td>"</td> <td>V-675</td> <td>122</td> <td>1/2</td> <td>2900</td> <td>1\"/&gt;  <tr> <td>U-40</td> <td>"</td> <td>"</td> <td>V-675</td> <td>122</td> <td>1/2</td> <td>2900</td> <td>1\"/&gt;  <tr> <td>U-41</td> <td>"</td> <td>"</td> <td>V-675</td> <td>122</td> <td>1/2</td> <td>2900</td> <td>1\"/&gt;  <tr> <td>U-42</td> <td>"</td> <td>"</td> <td>V-675</td> <td>122</td> <td>1/2</td> <td>2900</td> <td>1\"/&gt;  <tr> <td>U-43</td> <td>"</td> <td>"</td> <td>V-675</td> <td>122</td> <td>1/2</td> <td>2900</td> <td>1\"/&gt;  <tr> <td>U-44</td> <td>"</td> <td>"</td> <td>V-675</td> <td>122</td> <td>1/2</td> <td>2900</td> <td>1\"/&gt;  <tr> <td>U-45</td> <td>"</td> <td>"</td> <td>V-675</td> <td>122</td> <td>1/2</td> <td>2900</td> <td>1\"/&gt;  <tr> <td>U-46</td> <td>"</td> <td>"</td> <td>V-675</td> <td>122</td> <td>1/2</td> <td>2900</td> <td>1\"/&gt;  <tr> <td>U-47</td> <td>"</td> <td>"</td> <td>V-675</td> <td>122</td> <td>1/2</td> <td>2900</td> <td>1\"/&gt;  <tr> <td>U-48</td> <td>"</td> <td>"</td> <td>V-675</td> <td>122</td> <td>1/2</td> <td>2900</td> <td>1\"/&gt;  <tr> <td>U-49</td> <td>"</td> <td>"</td> <td>V-675</td> <td>122</td> <td>1/2</td> <td>2900</td> <td>1\"/&gt;  <tr> <td>U-50</td> <td>"</td> <td>"</td> <td>V-675</td> <td>122</td> <td>1/2</td> <td>2900</td> <td>1\"/&gt;  </td></tr></td></tr></td></tr></td></tr></td></tr></td></tr></td></tr></td></tr></td></tr></td></tr></td></tr></td></tr></td></tr></td></tr></td></tr></td></tr></td></tr></td></tr></td></tr></td></tr></td></tr></td></tr></td></tr></td></tr></td></tr></td></tr></td></tr></td></tr></td></tr></td></tr></td></tr></td></tr></td></tr></td></tr></td></tr></td></tr></td></tr></td></tr></td></tr></td></tr></td></tr></td></tr></td></tr></td></tr></td></tr></td></tr>  | U-5  | " | " | V-675  | 122 | 1/2 | 2900   | 1\"/> <tr> <td>U-6</td> <td>"</td> <td>"</td> <td>V-675</td> <td>122</td> <td>1/2</td> <td>2900</td> <td>1\"/&gt;  <tr> <td>U-7</td> <td>"</td> <td>"</td> <td>V-675</td> <td>122</td> <td>1/2</td> <td>2900</td> <td>1\"/&gt;  <tr> <td>U-8</td> <td>"</td> <td>"</td> <td>V-675</td> <td>122</td> <td>1/2</td> <td>2900</td> <td>1\"/&gt;  <tr> <td>U-9</td> <td>"</td> <td>"</td> <td>V-675</td> <td>122</td> <td>1/2</td> <td>2900</td> <td>1\"/&gt;  <tr> <td>U-10</td> <td>"</td> <td>"</td> <td>V-675</td> <td>122</td> <td>1/2</td> <td>2900</td> <td>1\"/&gt;  <tr> <td>U-11</td> <td>"</td> <td>"</td> <td>V-675</td> <td>122</td> <td>1/2</td> <td>2900</td> <td>1\"/&gt;  <tr> <td>U-12</td> <td>"</td> <td>"</td> <td>V-675</td> <td>122</td> <td>1/2</td> <td>2900</td> <td>1\"/&gt;  <tr> <td>U-13</td> <td>"</td> <td>"</td> <td>V-675</td> <td>122</td> <td>1/2</td> <td>2900</td> <td>1\"/&gt;  <tr> <td>U-14</td> <td>"</td> <td>"</td> <td>V-675</td> <td>122</td> <td>1/2</td> <td>2900</td> <td>1\"/&gt;  <tr> <td>U-15</td> <td>"</td> <td>"</td> <td>V-675</td> <td>122</td> <td>1/2</td> <td>2900</td> <td>1\"/&gt;  <tr> <td>U-16</td> <td>"</td> <td>"</td> <td>V-675</td> <td>122</td> <td>1/2</td> <td>2900</td> <td>1\"/&gt;  <tr> <td>U-17</td> <td>"</td> <td>"</td> <td>V-675</td> <td>122</td> <td>1/2</td> <td>2900</td> <td>1\"/&gt;  <tr> <td>U-18</td> <td>"</td> <td>"</td> <td>V-675</td> <td>122</td> <td>1/2</td> <td>2900</td> <td>1\"/&gt;  <tr> <td>U-19</td> <td>"</td> <td>"</td> <td>V-675</td> <td>122</td> <td>1/2</td> <td>2900</td> <td>1\"/&gt;  <tr> <td>U-20</td> <td>"</td> <td>"</td> <td>V-675</td> <td>122</td> <td>1/2</td> <td>2900</td> <td>1\"/&gt;  <tr> <td>U-21</td> <td>"</td> <td>"</td> <td>V-675</td> <td>122</td> <td>1/2</td> <td>2900</td> <td>1\"/&gt;  <tr> <td>U-22</td> <td>"</td> <td>"</td> <td>V-675</td> <td>122</td> <td>1/2</td> <td>2900</td> <td>1\"/&gt;  <tr> <td>U-23</td> <td>"</td> <td>"</td> <td>V-675</td> <td>122</td> <td>1/2</td> <td>2900</td> <td>1\"/&gt;  <tr> <td>U-24</td> <td>"</td> <td>"</td> <td>V-675</td> <td>122</td> <td>1/2</td> <td>2900</td> <td>1\"/&gt;  <tr> <td>U-25</td> <td>"</td> <td>"</td> <td>V-675</td> <td>122</td> <td>1/2</td> <td>2900</td> <td>1\"/&gt;  <tr> <td>U-26</td> <td>"</td> <td>"</td> <td>V-675</td> <td>122</td> <td>1/2</td> <td>2900</td> <td>1\"/&gt;  <tr> <td>U-27</td> <td>"</td> <td>"</td> <td>V-675</td> <td>122</td> <td>1/2</td> <td>2900</td> <td>1\"/&gt;  <tr> <td>U-28</td> <td>"</td> <td>"</td> <td>V-675</td> <td>122</td> <td>1/2</td> <td>2900</td> <td>1\"/&gt;  <tr> <td>U-29</td> <td>"</td> <td>"</td> <td>V-675</td> <td>122</td> <td>1/2</td> <td>2900</td> <td>1\"/&gt;  <tr> <td>U-30</td> <td>"</td> <td>"</td> <td>V-675</td> <td>122</td> <td>1/2</td> <td>2900</td> <td>1\"/&gt;  <tr> <td>U-31</td> <td>"</td> <td>"</td> <td>V-675</td> <td>122</td> <td>1/2</td> <td>2900</td> <td>1\"/&gt;  <tr> <td>U-32</td> <td>"</td> <td>"</td> <td>V-675</td> <td>122</td> <td>1/2</td> <td>2900</td> <td>1\"/&gt;  <tr> <td>U-33</td> <td>"</td> <td>"</td> <td>V-675</td> <td>122</td> <td>1/2</td> <td>2900</td> <td>1\"/&gt;  <tr> <td>U-34</td> <td>"</td> <td>"</td> <td>V-675</td> <td>122</td> <td>1/2</td> <td>2900</td> <td>1\"/&gt;  <tr> <td>U-35</td> <td>"</td> <td>"</td> <td>V-675</td> <td>122</td> <td>1/2</td> <td>2900</td> <td>1\"/&gt;  <tr> <td>U-36</td> <td>"</td> <td>"</td> <td>V-675</td> <td>122</td> <td>1/2</td> <td>2900</td> <td>1\"/&gt;  <tr> <td>U-37</td> <td>"</td> <td>"</td> <td>V-675</td> <td>122</td> <td>1/2</td> <td>2900</td> <td>1\"/&gt;  <tr> <td>U-38</td> <td>"</td> <td>"</td> <td>V-675</td> <td>122</td> <td>1/2</td> <td>2900</td> <td>1\"/&gt;  <tr> <td>U-39</td> <td>"</td> <td>"</td> <td>V-675</td> <td>122</td> <td>1/2</td> <td>2900</td> <td>1\"/&gt;  <tr> <td>U-40</td> <td>"</td> <td>"</td> <td>V-675</td> <td>122</td> <td>1/2</td> <td>2900</td> <td>1\"/&gt;  <tr> <td>U-41</td> <td>"</td> <td>"</td> <td>V-675</td> <td>122</td> <td>1/2</td> <td>2900</td> <td>1\"/&gt;  <tr> <td>U-42</td> <td>"</td> <td>"</td> <td>V-675</td> <td>122</td> <td>1/2</td> <td>2900</td> <td>1\"/&gt;  <tr> <td>U-43</td> <td>"</td> <td>"</td> <td>V-675</td> <td>122</td> <td>1/2</td> <td>2900</td> <td>1\"/&gt;  <tr> <td>U-44</td> <td>"</td> <td>"</td> <td>V-675</td> <td>122</td> <td>1/2</td> <td>2900</td> <td>1\"/&gt;  <tr> <td>U-45</td> <td>"</td> <td>"</td> <td>V-675</td> <td>122</td> <td>1/2</td> <td>2900</td> <td>1\"/&gt;  <tr> <td>U-46</td> <td>"</td> <td>"</td> <td>V-675</td> <td>122</td> <td>1/2</td> <td>2900</td> <td>1\"/&gt;  <tr> <td>U-47</td> <td>"</td> <td>"</td> <td>V-675</td> <td>122</td> <td>1/2</td> <td>2900</td> <td>1\"/&gt;  <tr> <td>U-48</td> <td>"</td> <td>"</td> <td>V-675</td> <td>122</td> <td>1/2</td> <td>2900</td> <td>1\"/&gt;  <tr> <td>U-49</td> <td>"</td> <td>"</td> <td>V-675</td> <td>122</td> <td>1/2</td> <td>2900</td> <td>1\"/&gt;  <tr> <td>U-50</td> <td>"</td> <td>"</td> <td>V-675</td> <td>122</td> <td>1/2</td> <td>2900</td> <td>1\"/&gt;  </td></tr></td></tr></td></tr></td></tr></td></tr></td></tr></td></tr></td></tr></td></tr></td></tr></td></tr></td></tr></td></tr></td></tr></td></tr></td></tr></td></tr></td></tr></td></tr></td></tr></td></tr></td></tr></td></tr></td></tr></td></tr></td></tr></td></tr></td></tr></td></tr></td></tr></td></tr></td></tr></td></tr></td></tr></td></tr></td></tr></td></tr></td></tr></td></tr></td></tr></td></tr></td></tr></td></tr></td></tr></td></tr>   | U-6  | " | " | V-675 | 122 | 1/2 | 2900    | 1\"/> <tr> <td>U-7</td> <td>"</td> <td>"</td> <td>V-675</td> <td>122</td> <td>1/2</td> <td>2900</td> <td>1\"/&gt;  <tr> <td>U-8</td> <td>"</td> <td>"</td> <td>V-675</td> <td>122</td> <td>1/2</td> <td>2900</td> <td>1\"/&gt;  <tr> <td>U-9</td> <td>"</td> <td>"</td> <td>V-675</td> <td>122</td> <td>1/2</td> <td>2900</td> <td>1\"/&gt;  <tr> <td>U-10</td> <td>"</td> <td>"</td> <td>V-675</td> <td>122</td> <td>1/2</td> <td>2900</td> <td>1\"/&gt;  <tr> <td>U-11</td> <td>"</td> <td>"</td> <td>V-675</td> <td>122</td> <td>1/2</td> <td>2900</td> <td>1\"/&gt;  <tr> <td>U-12</td> <td>"</td> <td>"</td> <td>V-675</td> <td>122</td> <td>1/2</td> <td>2900</td> <td>1\"/&gt;  <tr> <td>U-13</td> <td>"</td> <td>"</td> <td>V-675</td> <td>122</td> <td>1/2</td> <td>2900</td> <td>1\"/&gt;  <tr> <td>U-14</td> <td>"</td> <td>"</td> <td>V-675</td> <td>122</td> <td>1/2</td> <td>2900</td> <td>1\"/&gt;  <tr> <td>U-15</td> <td>"</td> <td>"</td> <td>V-675</td> <td>122</td> <td>1/2</td> <td>2900</td> <td>1\"/&gt;  <tr> <td>U-16</td> <td>"</td> <td>"</td> <td>V-675</td> <td>122</td> <td>1/2</td> <td>2900</td> <td>1\"/&gt;  <tr> <td>U-17</td> <td>"</td> <td>"</td> <td>V-675</td> <td>122</td> <td>1/2</td> <td>2900</td> <td>1\"/&gt;  <tr> <td>U-18</td> <td>"</td> <td>"</td> <td>V-675</td> <td>122</td> <td>1/2</td> <td>2900</td> <td>1\"/&gt;  <tr> <td>U-19</td> <td>"</td> <td>"</td> <td>V-675</td> <td>122</td> <td>1/2</td> <td>2900</td> <td>1\"/&gt;  <tr> <td>U-20</td> <td>"</td> <td>"</td> <td>V-675</td> <td>122</td> <td>1/2</td> <td>2900</td> <td>1\"/&gt;  <tr> <td>U-21</td> <td>"</td> <td>"</td> <td>V-675</td> <td>122</td> <td>1/2</td> <td>2900</td> <td>1\"/&gt;  <tr> <td>U-22</td> <td>"</td> <td>"</td> <td>V-675</td> <td>122</td> <td>1/2</td> <td>2900</td> <td>1\"/&gt;  <tr> <td>U-23</td> <td>"</td> <td>"</td>
<td>V-675</td> <td>122</td> <td>1/2</td> <td>2900</td> <td>1\"/&gt;  <tr> <td>U-24</td> <td>"</td> <td>"</td> <td>V-675</td> <td>122</td> <td>1/2</td> <td>2900</td> <td>1\"/&gt;  <tr> <td>U-25</td> <td>"</td> <td>"</td> <td>V-675</td> <td>122</td> <td>1/2</td> <td>2900</td> <td>1\"/&gt;  <tr> <td>U-26</td> <td>"</td> <td>"</td> <td>V-675</td> <td>122</td> <td>1/2</td> <td>2900</td> <td>1\"/&gt;  <tr> <td>U-27</td> <td>"</td> <td>"</td> <td>V-675</td> <td>122</td> <td>1/2</td> <td>2900</td> <td>1\"/&gt;  <tr> <td>U-28</td> <td>"</td> <td>"</td> <td>V-675</td> <td>122</td> <td>1/2</td> <td>2900</td> <td>1\"/&gt;  <tr> <td>U-29</td> <td>"</td> <td>"</td> <td>V-675</td> <td>122</td> <td>1/2</td> <td>2900</td> <td>1\"/&gt;  <tr> <td>U-30</td> <td>"</td> <td>"</td> <td>V-675</td> <td>122</td> <td>1/2</td> <td>2900</td> <td>1\"/&gt;  <tr> <td>U-31</td> <td>"</td> <td>"</td> <td>V-675</td> <td>122</td> <td>1/2</td> <td>2900</td> <td>1\"/&gt;  <tr> <td>U-32</td> <td>"</td> <td>"</td> <td>V-675</td> <td>122</td> <td>1/2</td> <td>2900</td> <td>1\"/&gt;  <tr> <td>U-33</td> <td>"</td> <td>"</td> <td>V-675</td> <td>122</td> <td>1/2</td> <td>2900</td> <td>1\"/&gt;  <tr> <td>U-34</td> <td>"</td> <td>"</td> <td>V-675</td> <td>122</td> <td>1/2</td> <td>2900</td> <td>1\"/&gt;  <tr> <td>U-35</td> <td>"</td> <td>"</td> <td>V-675</td> <td>122</td> <td>1/2</td> <td>2900</td> <td>1\"/&gt;  <tr> <td>U-36</td> <td>"</td> <td>"</td> <td>V-675</td> <td>122</td> <td>1/2</td> <td>2900</td> <td>1\"/&gt;  <tr> <td>U-37</td> <td>"</td> <td>"</td> <td>V-675</td> <td>122</td> <td>1/2</td> <td>2900</td> <td>1\"/&gt;  <tr> <td>U-38</td> <td>"</td> <td>"</td> <td>V-675</td> <td>122</td> <td>1/2</td> <td>2900</td> <td>1\"/&gt;  <tr> <td>U-39</td> <td>"</td> <td>"</td> <td>V-675</td> <td>122</td> <td>1/2</td> <td>2900</td> <td>1\"/&gt;  <tr> <td>U-40</td> <td>"</td> <td>"</td> <td>V-675</td> <td>122</td> <td>1/2</td> <td>2900</td> <td>1\"/&gt;  <tr> <td>U-41</td> <td>"</td> <td>"</td> <td>V-675</td> <td>122</td> <td>1/2</td> <td>2900</td> <td>1\"/&gt;  <tr> <td>U-42</td> <td>"</td> <td>"</td> <td>V-675</td> <td>122</td> <td>1/2</td> <td>2900</td> <td>1\"/&gt;  <tr> <td>U-43</td> <td>"</td> <td>"</td> <td>V-675</td> <td>122</td> <td>1/2</td> <td>2900</td> <td>1\"/&gt;  <tr> <td>U-44</td> <td>"</td> <td>"</td> <td>V-675</td> <td>122</td> <td>1/2</td> <td>2900</td> <td>1\"/&gt;  <tr> <td>U-45</td> <td>"</td> <td>"</td> <td>V-675</td> <td>122</td> <td>1/2</td> <td>2900</td> <td>1\"/&gt;  <tr> <td>U-46</td> <td>"</td> <td>"</td> <td>V-675</td> <td>122</td> <td>1/2</td> <td>2900</td> <td>1\"/&gt;  <tr> <td>U-47</td> <td>"</td> <td>"</td> <td>V-675</td> <td>122</td> <td>1/2</td> <td>2900</td> <td>1\"/&gt;  <tr> <td>U-48</td> <td>"</td> <td>"</td> <td>V-675</td> <td>122</td> <td>1/2</td> <td>2900</td> <td>1\"/&gt;  <tr> <td>U-49</td> <td>"</td> <td>"</td> <td>V-675</td> <td>122</td> <td>1/2</td> <td>2900</td> <td>1\"/&gt;  <tr> <td>U-50</td> <td>"</td> <td>"</td> <td>V-675</td> <td>122</td> <td>1/2</td> <td>2900</td> <td>1\"/&gt;  </td></tr></td></tr></td></tr></td></tr></td></tr></td></tr></td></tr></td></tr></td></tr></td></tr></td></tr></td></tr></td></tr></td></tr></td></tr></td></tr></td></tr></td></tr></td></tr></td></tr></td></tr></td></tr></td></tr></td></tr></td></tr></td></tr></td></tr></td></tr></td></tr></td></tr></td></tr></td></tr></td></tr></td></tr></td></tr></td></tr></td></tr></td></tr></td></tr></td></tr></td></tr></td></tr></td></tr></td></tr>   | U-7  | " | " | V-675 | 122 | 1/2 | 2900   | 1\"/> <tr> <td>U-8</td> <td>"</td> <td>"</td> <td>V-675</td> <td>122</td> <td>1/2</td> <td>2900</td> <td>1\"/&gt;  <tr> <td>U-9</td> <td>"</td> <td>"</td> <td>V-675</td> <td>122</td> <td>1/2</td> <td>2900</td> <td>1\"/&gt;  <tr> <td>U-10</td> <td>"</td> <td>"</td> <td>V-675</td> <td>122</td> <td>1/2</td> <td>2900</td> <td>1\"/&gt;  <tr> <td>U-11</td> <td>"</td> <td>"</td> <td>V-675</td> <td>122</td> <td>1/2</td> <td>2900</td> <td>1\"/&gt;  <tr> <td>U-12</td> <td>"</td> <td>"</td> <td>V-675</td> <td>122</td> <td>1/2</td> <td>2900</td> <td>1\"/&gt;  <tr> <td>U-13</td> <td>"</td> <td>"</td> <td>V-675</td> <td>122</td> <td>1/2</td> <td>2900</td> <td>1\"/&gt;  <tr> <td>U-14</td> <td>"</td> <td>"</td> <td>V-675</td> <td>122</td> <td>1/2</td> <td>2900</td> <td>1\"/&gt;  <tr> <td>U-15</td> <td>"</td> <td>"</td> <td>V-675</td> <td>122</td> <td>1/2</td> <td>2900</td> <td>1\"/&gt;  <tr> <td>U-16</td> <td>"</td> <td>"</td> <td>V-675</td> <td>122</td> <td>1/2</td> <td>2900</td> <td>1\"/&gt;  <tr> <td>U-17</td> <td>"</td> <td>"</td> <td>V-675</td> <td>122</td> <td>1/2</td> <td>2900</td> <td>1\"/&gt;  <tr> <td>U-18</td> <td>"</td> <td>"</td> <td>V-675</td> <td>122</td> <td>1/2</td> <td>2900</td> <td>1\"/&gt;  <tr> <td>U-19</td> <td>"</td> <td>"</td> <td>V-675</td> <td>122</td> <td>1/2</td> <td>2900</td> <td>1\"/&gt;  <tr> <td>U-20</td> <td>"</td> <td>"</td> <td>V-675</td> <td>122</td> <td>1/2</td> <td>2900</td> <td>1\"/&gt;  <tr> <td>U-21</td> <td>"</td> <td>"</td> <td>V-675</td> <td>122</td> <td>1/2</td> <td>2900</td> <td>1\"/&gt;  <tr> <td>U-22</td> <td>"</td> <td>"</td> <td>V-675</td> <td>122</td> <td>1/2</td> <td>2900</td> <td>1\"/&gt;  <tr> <td>U-23</td> <td>"</td> <td>"</td> <td>V-675</td> <td>122</td> <td>1/2</td> <td>2900</td> <td>1\"/&gt;  <tr> <td>U-24</td> <td>"</td> <td>"</td> <td>V-675</td> <td>122</td> <td>1/2</td> <td>2900</td> <td>1\"/&gt;  <tr> <td>U-25</td> <td>"</td> <td>"</td> <td>V-675</td> <td>122</td> <td>1/2</td> <td>2900</td> <td>1\"/&gt;  <tr> <td>U-26</td> <td>"</td> <td>"</td> <td>V-675</td> <td>122</td> <td>1/2</td> <td>2900</td> <td>1\"/&gt;  <tr> <td>U-27</td> <td>"</td> <td>"</td> <td>V-675</td> <td>122</td> <td>1/2</td> <td>2900</td> <td>1\"/&gt;  <tr> <td>U-28</td> <td>"</td> <td>"</td> <td>V-675</td> <td>122</td> <td>1/2</td> <td>2900</td> <td>1\"/&gt;  <tr> <td>U-29</td> <td>"</td> <td>"</td> <td>V-675</td> <td>122</td> <td>1/2</td> <td>2900</td> <td>1\"/&gt;  <tr> <td>U-30</td> <td>"</td> <td>"</td> <td>V-675</td> <td>122</td> <td>1/2</td> <td>2900</td> <td>1\"/&gt;  <tr> <td>U-31</td> <td>"</td> <td>"</td> <td>V-675</td> <td>122</td> <td>1/2</td> <td>2900</td> <td>1\"/&gt;  <tr> <td>U-32</td> <td>"</td> <td>"</td> <td>V-675</td> <td>122</td> <td>1/2</td> <td>2900</td> <td>1\"/&gt;  <tr> <td>U-33</td> <td>"</td> <td>"</td> <td>V-675</td> <td>122</td> <td>1/2</td> <td>2900</td> <td>1\"/&gt;  <tr> <td>U-34</td> <td>"</td> <td>"</td> <td>V-675</td> <td>122</td> <td>1/2</td> <td>2900</td> <td>1\"/&gt;  <tr> <td>U-35</td> <td>"</td> <td>"</td> <td>V-675</td> <td>122</td> <td>1/2</td> <td>2900</td> <td>1\"/&gt;  <tr> <td>U-36</td> <td>"</td> <td>"</td> <td>V-675</td> <td>122</td> <td>1/2</td> <td>2900</td> <td>1\"/&gt;  <tr> <td>U-37</td> <td>"</td> <td>"</td> <td>V-675</td> <td>122</td> <td>1/2</td> <td>2900</td> <td>1\"/&gt;  <tr> <td>U-38</td> <td>"</td> <td>"</td> <td>V-675</td> <td>122</td> <td>1/2</td> <td>2900</td> <td>1\"/&gt;  <tr> <td>U-39</td> <td>"</td> <td>"</td> <td>V-675</td> <td>122</td> <td>1/2</td> <td>2900</td> <td>1\"/&gt;  <tr> <td>U-40</td> <td>"</td> <td>"</td> <td>V-675</td> <td>122</td> <td>1/2</td> <td>2900</td> <td>1\"/&gt;  <tr> <td>U-41</td> <td>"</td> <td>"</td> <td>V-675</td> <td>122</td> <td>1/2</td> <td>2900</td> <td>1\"/&gt;  <tr> <td>U-42</td> <td>"</td> <td>"</td> <td>V-675</td> <td>122</td> <td>1/2</td> <td>2900</td> <td>1\"/&gt;  <tr> <td>U-43</td> <td>"</td> <td>"</td> <td>V-675</td> <td>122</td> <td>1/2</td> <td>2900</td> <td>1\"/&gt;  <tr> <td>U-44</td> <td>"</td> <td>"</td> <td>V-675</td> <td>122</td> <td>1/2</td> <td>2900</td> <td>1\"/&gt;  <tr> <td>U-45</td> <td>"</td> <td>"</td> <td>V-675</td> <td>122</td> <td>1/2</td> <td>2900</td> <td>1\"/&gt;  <tr> <td>U-46</td> <td>"</td> <td>"</td> <td>V-675</td> <td>122</td> <td>1/2</td> <td>2900</td> <td>1\"/&gt;  <tr> <td>U-47</td> <td>"</td> <td>"</td> <td>V-675</td> <td>122</td> <td>1/2</td> <td>2900</td> <td>1\"/&gt;  <tr> <td>U-48</td> <td>"</td> <td>"</td> <td>V-675</td> <td>122</td> <td>1/2</td> <td>2900</td> <td>1\"/&gt;  <tr> <td>U-49</td> <td>"</td> <td>"</td> <td>V-675</td> <td>122</td> <td>1/2</td> <td>2900</td> <td>1\"/&gt;  <tr> <td>U-50</td> <td>"</td> <td>"</td> <td>V-675</td> <td>122</td> <td>1/2</td> <td>2900</td> <td>1\"/&gt;  </td></tr></td></tr></td></tr></td></tr></td></tr></td></tr></td></tr></td></tr></td></tr></td></tr></td></tr></td></tr></td></tr></td></tr></td></tr></td></tr></td></tr></td></tr></td></tr></td></tr></td></tr></td></tr></td></tr></td></tr></td></tr></td></tr></td></tr></td></tr></td></tr></td></tr></td></tr></td></tr></td></tr></td></tr></td></tr></td></tr></td></tr></td></tr></td></tr></td></tr></td></tr></td></tr></td></tr>   | U-8  | " | " | V-675 | 122 | 1/2 | 2900    | 1\"/> <tr> <td>U-9</td> <td>"</td> <td>"</td> <td>V-675</td> <td>122</td> <td>1/2</td> <td>2900</td> <td>1\"/&gt;  <tr> <td>U-10</td> <td>"</td> <td>"</td> <td>V-675</td> <td>122</td> <td>1/2</td> <td>2900</td> <td>1\"/&gt;  <tr> <td>U-11</td> <td>"</td> <td>"</td> <td>V-675</td> <td>122</td> <td>1/2</td> <td>2900</td> <td>1\"/&gt;  <tr> <td>U-12</td> <td>"</td> <td>"</td> <td>V-675</td> <td>122</td> <td>1/2</td> <td>2900</td> <td>1\"/&gt;  <tr> <td>U-13</td> <td>"</td> <td>"</td> <td>V-675</td> <td>122</td> <td>1/2</td> <td>2900</td> <td>1\"/&gt;  <tr> <td>U-14</td> <td>"</td> <td>"</td> <td>V-675</td> <td>122</td> <td>1/2</td> <td>2900</td> <td>1\"/&gt;  <tr> <td>U-15</td> <td>"</td> <td>"</td> <td>V-675</td> <td>122</td> <td>1/2</td> <td>2900</td> <td>1\"/&gt;  <tr>
<td>U-16</td> <td>"</td> <td>"</td> <td>V-675</td> <td>122</td> <td>1/2</td> <td>2900</td> <td>1\"/&gt;  <tr> <td>U-17</td> <td>"</td> <td>"</td> <td>V-675</td> <td>122</td> <td>1/2</td> <td>2900</td> <td>1\"/&gt;  <tr> <td>U-18</td> <td>"</td> <td>"</td> <td>V-675</td> <td>122</td> <td>1/2</td> <td>2900</td> <td>1\"/&gt;  <tr> <td>U-19</td> <td>"</td> <td>"</td> <td>V-675</td> <td>122</td> <td>1/2</td> <td>2900</td> <td>1\"/&gt;  <tr> <td>U-20</td> <td>"</td> <td>"</td> <td>V-675</td> <td>122</td> <td>1/2</td> <td>2900</td> <td>1\"/&gt;  <tr> <td>U-21</td> <td>"</td> <td>"</td> <td>V-675</td> <td>122</td> <td>1/2</td> <td>2900</td> <td>1\"/&gt;  <tr> <td>U-22</td> <td>"</td> <td>"</td> <td>V-675</td> <td>122</td> <td>1/2</td> <td>2900</td> <td>1\"/&gt;  <tr> <td>U-23</td> <td>"</td> <td>"</td> <td>V-675</td> <td>122</td> <td>1/2</td> <td>2900</td> <td>1\"/&gt;  <tr> <td>U-24</td> <td>"</td> <td>"</td> <td>V-675</td> <td>122</td> <td>1/2</td> <td>2900</td> <td>1\"/&gt;  <tr> <td>U-25</td> <td>"</td> <td>"</td> <td>V-675</td> <td>122</td> <td>1/2</td> <td>2900</td> <td>1\"/&gt;  <tr> <td>U-26</td> <td>"</td> <td>"</td> <td>V-675</td> <td>122</td> <td>1/2</td> <td>2900</td> <td>1\"/&gt;  <tr> <td>U-27</td> <td>"</td> <td>"</td> <td>V-675</td> <td>122</td> <td>1/2</td> <td>2900</td> <td>1\"/&gt;  <tr> <td>U-28</td> <td>"</td> <td>"</td> <td>V-675</td> <td>122</td> <td>1/2</td> <td>2900</td> <td>1\"/&gt;  <tr> <td>U-29</td> <td>"</td> <td>"</td> <td>V-675</td> <td>122</td> <td>1/2</td> <td>2900</td> <td>1\"/&gt;  <tr> <td>U-30</td> <td>"</td> <td>"</td> <td>V-675</td> <td>122</td> <td>1/2</td> <td>2900</td> <td>1\"/&gt;  <tr> <td>U-31</td> <td>"</td> <td>"</td> <td>V-675</td> <td>122</td> <td>1/2</td> <td>2900</td> <td>1\"/&gt;  <tr> <td>U-32</td> <td>"</td> <td>"</td> <td>V-675</td> <td>122</td> <td>1/2</td> <td>2900</td> <td>1\"/&gt;  <tr> <td>U-33</td> <td>"</td> <td>"</td> <td>V-675</td> <td>122</td> <td>1/2</td> <td>2900</td> <td>1\"/&gt;  <tr> <td>U-34</td> <td>"</td> <td>"</td> <td>V-675</td> <td>122</td> <td>1/2</td> <td>2900</td> <td>1\"/&gt;  <tr> <td>U-35</td> <td>"</td> <td>"</td> <td>V-675</td> <td>122</td> <td>1/2</td> <td>2900</td> <td>1\"/&gt;  <tr> <td>U-36</td> <td>"</td> <td>"</td> <td>V-675</td> <td>122</td> <td>1/2</td> <td>2900</td> <td>1\"/&gt;  <tr> <td>U-37</td> <td>"</td> <td>"</td> <td>V-675</td> <td>122</td> <td>1/2</td> <td>2900</td> <td>1\"/&gt;  <tr> <td>U-38</td> <td>"</td> <td>"</td> <td>V-675</td> <td>122</td> <td>1/2</td> <td>2900</td> <td>1\"/&gt;  <tr> <td>U-39</td> <td>"</td> <td>"</td> <td>V-675</td> <td>122</td> <td>1/2</td> <td>2900</td> <td>1\"/&gt;  <tr> <td>U-40</td> <td>"</td> <td>"</td> <td>V-675</td> <td>122</td> <td>1/2</td> <td>2900</td> <td>1\"/&gt;  <tr> <td>U-41</td> <td>"</td> <td>"</td> <td>V-675</td> <td>122</td> <td>1/2</td> <td>2900</td> <td>1\"/&gt;  <tr> <td>U-42</td> <td>"</td> <td>"</td> <td>V-675</td> <td>122</td> <td>1/2</td> <td>2900</td> <td>1\"/&gt;  <tr> <td>U-43</td> <td>"</td> <td>"</td> <td>V-675</td> <td>122</td> <td>1/2</td> <td>2900</td> <td>1\"/&gt;  <tr> <td>U-44</td> <td>"</td> <td>"</td> <td>V-675</td> <td>122</td> <td>1/2</td> <td>2900</td> <td>1\"/&gt;  <tr> <td>U-45</td> <td>"</td> <td>"</td> <td>V-675</td> <td>122</td> <td>1/2</td> <td>2900</td> <td>1\"/&gt;  <tr> <td>U-46</td> <td>"</td> <td>"</td> <td>V-675</td> <td>122</td> <td>1/2</td> <td>2900</td> <td>1\"/&gt;  <tr> <td>U-47</td> <td>"</td> <td>"</td> <td>V-675</td> <td>122</td> <td>1/2</td> <td>2900</td> <td>1\"/&gt;  <tr> <td>U-48</td> <td>"</td> <td>"</td> <td>V-675</td> <td>122</td> <td>1/2</td> <td>2900</td> <td>1\"/&gt;  <tr> <td>U-49</td> <td>"</td> <td>"</td> <td>V-675</td> <td>122</td> <td>1/2</td> <td>2900</td> <td>1\"/&gt;  <tr> <td>U-50</td> <td>"</td> <td>"</td> <td>V-675</td> <td>122</td> <td>1/2</td> <td>2900</td> <td>1\"/&gt;  </td></tr></td></tr></td></tr></td></tr></td></tr></td></tr></td></tr></td></tr></td></tr></td></tr></td></tr></td></tr></td></tr></td></tr></td></tr></td></tr></td></tr></td></tr></td></tr></td></tr></td></tr></td></tr></td></tr></td></tr></td></tr></td></tr></td></tr></td></tr></td></tr></td></tr></td></tr></td></tr></td></tr></td></tr></td></tr></td></tr></td></tr></td></tr></td></tr></td></tr></td></tr></td></tr>   | U-9  | "           | "      | V-675  | 122  | 1/2 | 2900 | 1\"/> <tr> <td>U-10</td> <td>"</td> <td>"</td> <td>V-675</td> <td>122</td> <td>1/2</td> <td>2900</td> <td>1\"/&gt;  <tr> <td>U-11</td> <td>"</td> <td>"</td> <td>V-675</td> <td>122</td> <td>1/2</td> <td>2900</td> <td>1\"/&gt;  <tr> <td>U-12</td> <td>"</td> <td>"</td> <td>V-675</td> <td>122</td> <td>1/2</td> <td>2900</td> <td>1\"/&gt;  <tr> <td>U-13</td> <td>"</td> <td>"</td> <td>V-675</td> <td>122</td> <td>1/2</td> <td>2900</td> <td>1\"/&gt;  <tr> <td>U-14</td> <td>"</td> <td>"</td> <td>V-675</td> <td>122</td> <td>1/2</td> <td>2900</td> <td>1\"/&gt;  <tr> <td>U-15</td> <td>"</td> <td>"</td> <td>V-675</td> <td>122</td> <td>1/2</td> <td>2900</td> <td>1\"/&gt;  <tr> <td>U-16</td> <td>"</td> <td>"</td> <td>V-675</td> <td>122</td> <td>1/2</td> <td>2900</td> <td>1\"/&gt;  <tr> <td>U-17</td> <td>"</td> <td>"</td> <td>V-675</td> <td>122</td> <td>1/2</td> <td>2900</td> <td>1\"/&gt;  <tr> <td>U-18</td> <td>"</td> <td>"</td> <td>V-675</td> <td>122</td> <td>1/2</td> <td>2900</td> <td>1\"/&gt;  <tr> <td>U-19</td> <td>"</td> <td>"</td> <td>V-675</td> <td>122</td> <td>1/2</td> <td>2900</td> <td>1\"/&gt;  <tr> <td>U-20</td> <td>"</td> <td>"</td> <td>V-675</td> <td>122</td> <td>1/2</td> <td>2900</td> <td>1\"/&gt;  <tr> <td>U-21</td> <td>"</td> <td>"</td> <td>V-675</td> <td>122</td> <td>1/2</td> <td>2900</td> <td>1\"/&gt;  <tr> <td>U-22</td> <td>"</td> <td>"</td> <td>V-675</td> <td>122</td> <td>1/2</td> <td>2900</td> <td>1\"/&gt;  <tr> <td>U-23</td> <td>"</td> <td>"</td> <td>V-675</td> <td>122</td> <td>1/2</td> <td>2900</td> <td>1\"/&gt;  <tr> <td>U-24</td> <td>"</td> <td>"</td> <td>V-675</td> <td>122</td> <td>1/2</td> <td>2900</td> <td>1\"/&gt;  <tr> <td>U-25</td> <td>"</td> <td>"</td> <td>V-675</td> <td>122</td> <td>1/2</td> <td>2900</td> <td>1\"/&gt;  <tr> <td>U-26</td> <td>"</td> <td>"</td> <td>V-675</td> <td>122</td> <td>1/2</td> <td>2900</td> <td>1\"/&gt;  <tr> <td>U-27</td> <td>"</td> <td>"</td> <td>V-675</td> <td>122</td> <td>1/2</td> <td>2900</td> <td>1\"/&gt;  <tr> <td>U-28</td> <td>"</td> <td>"</td> <td>V-675</td> <td>122</td> <td>1/2</td> <td>2900</td> <td>1\"/&gt;  <tr> <td>U-29</td> <td>"</td> <td>"</td> <td>V-675</td> <td>122</td> <td>1/2</td> <td>2900</td> <td>1\"/&gt;  <tr> <td>U-30</td> <td>"</td> <td>"</td> <td>V-675</td> <td>122</td> <td>1/2</td> <td>2900</td> <td>1\"/&gt;  <tr> <td>U-31</td> <td>"</td> <td>"</td> <td>V-675</td> <td>122</td> <td>1/2</td> <td>2900</td> <td>1\"/&gt;  <tr> <td>U-32</td> <td>"</td> <td>"</td> <td>V-675</td> <td>122</td> <td>1/2</td> <td>2900</td> <td>1\"/&gt;  <tr> <td>U-33</td> <td>"</td> <td>"</td> <td>V-675</td> <td>122</td> <td>1/2</td> <td>2900</td> <td>1\"/&gt;  <tr> <td>U-34</td> <td>"</td> <td>"</td> <td>V-675</td> <td>122</td> <td>1/2</td> <td>2900</td> <td>1\"/&gt;  <tr> <td>U-35</td> <td>"</td> <td>"</td> <td>V-675</td> <td>122</td> <td>1/2</td> <td>2900</td> <td>1\"/&gt;  <tr> <td>U-36</td> <td>"</td> <td>"</td> <td>V-675</td> <td>122</td> <td>1/2</td> <td>2900</td> <td>1\"/&gt;  <tr> <td>U-37</td> <td>"</td> <td>"</td> <td>V-675</td> <td>122</td> <td>1/2</td> <td>2900</td> <td>1\"/&gt;  <tr> <td>U-38</td> <td>"</td> <td>"</td> <td>V-675</td> <td>122</td> <td>1/2</td> <td>2900</td> <td>1\"/&gt;  <tr> <td>U-39</td> <td>"</td> <td>"</td> <td>V-675</td> <td>122</td> <td>1/2</td> <td>2900</td> <td>1\"/&gt;  <tr> <td>U-40</td> <td>"</td> <td>"</td> <td>V-675</td> <td>122</td> <td>1/2</td> <td>2900</td> <td>1\"/&gt;  <tr> <td>U-41</td> <td>"</td> <td>"</td> <td>V-675</td> <td>122</td> <td>1/2</td> <td>2900</td> <td>1\"/&gt;  <tr> <td>U-42</td> <td>"</td> <td>"</td> <td>V-675</td> <td>122</td> <td>1/2</td> <td>2900</td> <td>1\"/&gt;  <tr> <td>U-43</td> <td>"</td> <td>"</td> <td>V-675</td> <td>122</td> <td>1/2</td> <td>2900</td> <td>1\"/&gt;  <tr> <td>U-44</td> <td>"</td> <td>"</td> <td>V-675</td> <td>122</td> <td>1/2</td> <td>2900</td> <td>1\"/&gt;  <tr> <td>U-45</td> <td>"</td> <td>"</td> <td>V-675</td> <td>122</td> <td>1/2</td> <td>2900</td> <td>1\"/&gt;  <tr> <td>U-46</td> <td>"</td> <td>"</td> <td>V-675</td> <td>122</td> <td>1/2</td> <td>2900</td> <td>1\"/&gt;  <tr> <td>U-47</td> <td>"</td> <td>"</td> <td>V-675</td> <td>122</td> <td>1/2</td> <td>2900</td> <td>1\"/&gt;  <tr> <td>U-48</td> <td>"</td> <td>"</td> <td>V-675</td> <td>122</td> <td>1/2</td> <td>2900</td> <td>1\"/&gt;  <tr> <td>U-49</td> <td>"</td> <td>"</td> <td>V-675</td> <td>122</td> <td>1/2</td> <td>2900</td> <td>1\"/&gt;  <tr> <td>U-50</td> <td>"</td> <td>"</td> <td>V-675</td> <td>122</td> <td>1/2</td> <td>2900</td> <td>1\"/&gt;  </td></tr></td></tr></td></tr></td></tr></td></tr></td></tr></td></tr></td></tr></td></tr></td></tr></td></tr></td></tr></td></tr></td></tr></td></tr></td></tr></td></tr></td></tr></td></tr></td></tr></td></tr></td></tr></td></tr></td></tr></td></tr></td></tr></td></tr></td></tr></td></tr></td></tr></td></tr></td></tr></td></tr></td></tr></td></tr></td></tr></td></tr></td></tr></td></tr></td></tr></td></tr>  
   | U-10 | " | " | V-675  | 122  | 1/2 | 2900 | 1\"/> <tr> <td>U-11</td> <td>"</td> <td>"</td> <td>V-675</td> <td>122</td> <td>1/2</td> <td>2900</td> <td>1\"/&gt;  <tr> <td>U-12</td> <td>"</td> <td>"</td> <td>V-675</td> <td>122</td> <td>1/2</td> <td>2900</td> <td>1\"/&gt;  <tr> <td>U-13</td> <td>"</td> <td>"</td> <td>V-675</td> <td>122</td> <td>1/2</td> <td>2900</td> <td>1\"/&gt;  <tr> <td>U-14</td> <td>"</td> <td>"</td> <td>V-675</td> <td>122</td> <td>1/2</td> <td>2900</td> <td>1\"/&gt;  <tr> <td>U-15</td> <td>"</td> <td>"</td> <td>V-675</td> <td>122</td> <td>1/2</td> <td>2900</td> <td>1\"/&gt;  <tr> <td>U-16</td> <td>"</td> <td>"</td> <td>V-675</td> <td>122</td> <td>1/2</td> <td>2900</td> <td>1\"/&gt;  <tr> <td>U-17</td> <td>"</td> <td>"</td> <td>V-675</td> <td>122</td> <td>1/2</td> <td>2900</td> <td>1\"/&gt;  <tr> <td>U-18</td> <td>"</td> <td>"</td> <td>V-675</td> <td>122</td> <td>1/2</td> <td>2900</td> <td>1\"/&gt;  <tr> <td>U-19</td> <td>"</td> <td>"</td> <td>V-675</td> <td>122</td> <td>1/2</td> <td>2900</td> <td>1\"/&gt;  <tr> <td>U-20</td> <td>"</td> <td>"</td> <td>V-675</td> <td>122</td> <td>1/2</td> <td>2900</td> <td>1\"/&gt;  <tr> <td>U-21</td> <td>"</td> <td>"</td> <td>V-675</td> <td>122</td> <td>1/2</td> <td>2900</td> <td>1\"/&gt;  <tr> <td>U-22</td> <td>"</td> <td>"</td> <td>V-675</td> <td>122</td> <td>1/2</td> <td>2900</td> <td>1\"/&gt;  <tr> <td>U-23</td> <td>"</td> <td>"</td> <td>V-675</td> <td>122</td> <td>1/2</td> <td>2900</td> <td>1\"/&gt;  <tr> <td>U-24</td> <td>"</td> <td>"</td> <td>V-675</td> <td>122</td> <td>1/2</td> <td>2900</td> <td>1\"/&gt;  <tr> <td>U-25</td> <td>"</td> <td>"</td> <td>V-675</td> <td>122</td> <td>1/2</td> <td>2900</td> <td>1\"/&gt;  <tr> <td>U-26</td> <td>"</td> <td>"</td> <td>V-675</td> <td>122</td> <td>1/2</td> <td>2900</td> <td>1\"/&gt;  <tr> <td>U-27</td> <td>"</td> <td>"</td> <td>V-675</td> <td>122</td> <td>1/2</td> <td>2900</td> <td>1\"/&gt;  <tr> <td>U-28</td> <td>"</td> <td>"</td> <td>V-675</td> <td>122</td> <td>1/2</td> <td>2900</td> <td>1\"/&gt;  <tr> <td>U-29</td> <td>"</td> <td>"</td> <td>V-675</td> <td>122</td> <td>1/2</td> <td>2900</td> <td>1\"/&gt;  <tr> <td>U-30</td> <td>"</td> <td>"</td> <td>V-675</td> <td>122</td> <td>1/2</td> <td>2900</td> <td>1\"/&gt;  <tr> <td>U-31</td> <td>"</td> <td>"</td> <td>V-675</td> <td>122</td> <td>1/2</td> <td>2900</td> <td>1\"/&gt;  <tr> <td>U-32</td> <td>"</td> <td>"</td> <td>V-675</td> <td>122</td> <td>1/2</td> <td>2900</td> <td>1\"/&gt;  <tr> <td>U-33</td> <td>"</td> <td>"</td> <td>V-675</td> <td>122</td> <td>1/2</td> <td>2900</td> <td>1\"/&gt;  <tr> <td>U-34</td> <td>"</td> <td>"</td> <td>V-675</td> <td>122</td> <td>1/2</td> <td>2900</td> <td>1\"/&gt;  <tr> <td>U-35</td> <td>"</td> <td>"</td> <td>V-675</td> <td>122</td> <td>1/2</td> <td>2900</td> <td>1\"/&gt;  <tr> <td>U-36</td> <td>"</td> <td>"</td> <td>V-675</td> <td>122</td> <td>1/2</td> <td>2900</td> <td>1\"/&gt;  <tr> <td>U-37</td> <td>"</td> <td>"</td> <td>V-675</td> <td>122</td> <td>1/2</td> <td>2900</td> <td>1\"/&gt;  <tr> <td>U-38</td> <td>"</td> <td>"</td> <td>V-675</td> <td>122</td> <td>1/2</td> <td>2900</td> <td>1\"/&gt;  <tr> <td>U-39</td> <td>"</td> <td>"</td> <td>V-675</td> <td>122</td> <td>1/2</td> <td>2900</td> <td>1\"/&gt;  <tr> <td>U-40</td> <td>"</td> <td>"</td> <td>V-675</td> <td>122</td> <td>1/2</td> <td>2900</td> <td>1\"/&gt;  <tr> <td>U-41</td> <td>"</td> <td>"</td> <td>V-675</td> <td>122</td> <td>1/2</td> <td>2900</td> <td>1\"/&gt;  <tr> <td>U-42</td> <td>"</td> <td>"</td> <td>V-675</td> <td>122</td> <td>1/2</td> <td>2900</td> <td>1\"/&gt;  <tr> <td>U-43</td> <td>"</td> <td>"</td> <td>V-675</td> <td>122</td> <td>1/2</td> <td>2900</td> <td>1\"/&gt;  <tr> <td>U-44</td> <td>"</td> <td>"</td> <td>V-675</td> <td>122</td> <td>1/2</td> <td>2900</td> <td>1\"/&gt;  <tr> <td>U-45</td> <td>"</td> <td>"</td> <td>V-675</td> <td>122</td> <td>1/2</td> <td>2900</td> <td>1\"/&gt;  <tr> <td>U-46</td> <td>"</td> <td>"</td> <td>V-675</td> <td>122</td> <td>1/2</td> <td>2900</td> <td>1\"/&gt;  <tr> <td>U-47</td> <td>"</td> <td>"</td> <td>V-675</td> <td>122</td> <td>1/2</td> <td>2900</td> <td>1\"/&gt;  <tr> <td>U-48</td> <td>"</td> <td>"</td> <td>V-675</td> <td>122</td> <td>1/2</td> <td>2900</td> <td>1\"/&gt;  <tr> <td>U-49</td> <td>"</td> <td>"</td> <td>V-675</td> <td>122</td> <td>1/2</td> <td>2900</td> <td>1\"/&gt;  <tr> <td>U-50</td> <td>"</td> <td>"</td> <td>V-675</td> <td>122</td> <td>1/2</td> <td>2900</td> <td>1\"/&gt;  </td></tr></td></tr></td></tr></td></tr></td></tr></td></tr></td></tr></td></tr></td></tr></td></tr></td></tr></td></tr></td></tr></td></tr></td></tr></td></tr></td></tr></td></tr></td></tr></td></tr></td></tr></td></tr></td></tr></td></tr></td></tr></td></tr></td></tr></td></tr></td></tr></td></tr></td></tr></td></tr></td></tr></td></tr></td></tr></td></tr></td></tr></td></tr></td></tr></td></tr>   | U-11 | " | " | V-675  | 122 | 1/2 | 2900 | 1\"/> <tr> <td>U-12</td> <td>"</td> <td>"</td> <td>V-675</td> <td>122</td> <td>1/2</td> <td>2900</td> <td>1\"/&gt;  <tr> <td>U-13</td> <td>"</td> <td>"</td> <td>V-675</td> <td>122</td> <td>1/2</td> <td>2900</td> <td>1\"/&gt;  <tr> <td>U-14</td> <td>"</td> <td>"</td> <td>V-675</td> <td>122</td> <td>1/2</td> <td>2900</td> <td>1\"/&gt;  <tr> <td>U-15</td> <td>"</td> <td>"</td> <td>V-675</td> <td>122</td> <td>1/2</td> <td>2900</td> <td>1\"/&gt;  <tr> <td>U-16</td> <td>"</td> <td>"</td> <td>V-675</td> <td>122</td> <td>1/2</td> <td>2900</td> <td>1\"/&gt;  <tr> <td>U-17</td> <td>"</td> <td>"</td> <td>V-675</td> <td>122</td> <td>1/2</td> <td>2900</td> <td>1\"/&gt;  <tr> <td>U-18</td> <td>"</td> <td>"</td> <td>V-675</td> <td>122</td> <td>1/2</td> <td>2900</td> <td>1\"/&gt;  <tr> <td>U-19</td> <td>"</td> <td>"</td> <td>V-675</td> <td>122</td> <td>1/2</td> <td>2900</td> <td>1\"/&gt;  <tr> <td>U-20</td> <td>"</td> <td>"</td> <td>V-675</td> <td>122</td> <td>1/2</td> <td>2900</td> <td>1\"/&gt;  <tr> <td>U-21</td> <td>"</td> <td>"</td> <td>V-675</td> <td>122</td> <td>1/2</td> <td>2900</td> <td>1\"/&gt;  <tr> <td>U-22</td> <td>"</td> <td>"</td> <td>V-675</td> <td>122</td> <td>1/2</td> <td>2900</td> <td>1\"/&gt;  <tr> <td>U-23</td> <td>"</td> <td>"</td> <td>V-675</td> <td>122</td> <td>1/2</td> <td>2900</td> <td>1\"/&gt;  <tr> <td>U-24</td> <td>"</td> <td>"</td> <td>V-675</td> <td>122</td> <td>1/2</td> <td>2900</td> <td>1\"/&gt;  <tr> <td>U-25</td> <td>"</td> <td>"</td> <td>V-675</td> <td>122</td> <td>1/2</td> <td>2900</td> <td>1\"/&gt;  <tr> <td>U-26</td> <td>"</td> <td>"</td> <td>V-675</td> <td>122</td> <td>1/2</td> <td>2900</td> <td>1\"/&gt;  <tr> <td>U-27</td> <td>"</td> <td>"</td> <td>V-675</td> <td>122</td> <td>1/2</td> <td>2900</td> <td>1\"/&gt;  <tr> <td>U-28</td> <td>"</td> <td>"</td> <td>V-675</td> <td>122</td> <td>1/2</td> <td>2900</td> <td>1\"/&gt;  <tr> <td>U-29</td> <td>"</td> <td>"</td> <td>V-675</td> <td>122</td> <td>1/2</td> <td>2900</td> <td>1\"/&gt;  <tr> <td>U-30</td> <td>"</td> <td>"</td> <td>V-675</td> <td>122</td> <td>1/2</td> <td>2900</td> <td>1\"/&gt;  <tr> <td>U-31</td> <td>"</td> <td>"</td> <td>V-675</td> <td>122</td> <td>1/2</td> <td>2900</td> <td>1\"/&gt;  <tr> <td>U-32</td> <td>"</td> <td>"</td> <td>V-675</td> <td>122</td> <td>1/2</td> <td>2900</td> <td>1\"/&gt;  <tr> <td>U-33</td> <td>"</td> <td>"</td> <td>V-675</td> <td>122</td> <td>1/2</td> <td>2900</td> <td>1\"/&gt;  <tr> <td>U-34</td> <td>"</td> <td>"</td> <td>V-675</td> <td>122</td> <td>1/2</td> <td>2900</td> <td>1\"/&gt;  <tr> <td>U-35</td> <td>"</td> <td>"</td> <td>V-675</td> <td>122</td> <td>1/2</td> <td>2900</td> <td>1\"/&gt;  <tr> <td>U-36</td> <td>"</td> <td>"</td> <td>V-675</td> <td>122</td> <td>1/2</td> <td>2900</td> <td>1\"/&gt;  <tr> <td>U-37</td> <td>"</td> <td>"</td> <td>V-675</td> <td>122</td> <td>1/2</td> <td>2900</td> <td>1\"/&gt;  <tr> <td>U-38</td> <td>"</td> <td>"</td> <td>V-675</td> <td>122</td> <td>1/2</td> <td>2900</td> <td>1\"/&gt;  <tr> <td>U-39</td> <td>"</td> <td>"</td> <td>V-675</td> <td>122</td> <td>1/2</td> <td>2900</td> <td>1\"/&gt;  <tr> <td>U-40</td> <td>"</td> <td>"</td> <td>V-675</td> <td>122</td> <td>1/2</td> <td>2900</td> <td>1\"/&gt;  <tr> <td>U-41</td> <td>"</td> <td>"</td> <td>V-675</td> <td>122</td> <td>1/2</td> <td>2900</td> <td>1\"/&gt;  <tr> <td>U-42</td> <td>"</td> <td>"</td> <td>V-675</td> <td>122</td> <td>1/2</td> <td>2900</td> <td>1\"/&gt;  <tr> <td>U-43</td> <td>"</td> <td>"</td> <td>V-675</td> <td>122</td> <td>1/2</td> <td>2900</td> <td>1\"/&gt;  <tr> <td>U-44</td> <td>"</td> <td>"</td> <td>V-675</td> <td>122</td> <td>1/2</td> <td>2900</td> <td>1\"/&gt;  <tr> <td>U-45</td> <td>"</td> <td>"</td> <td>V-675</td>
<td>122</td> <td>1/2</td> <td>2900</td> <td>1\"/&gt;  <tr> <td>U-46</td> <td>"</td> <td>"</td> <td>V-675</td> <td>122</td> <td>1/2</td> <td>2900</td> <td>1\"/&gt;  <tr> <td>U-47</td> <td>"</td> <td>"</td> <td>V-675</td> <td>122</td> <td>1/2</td> <td>2900</td> <td>1\"/&gt;  <tr> <td>U-48</td> <td>"</td> <td>"</td> <td>V-675</td> <td>122</td> <td>1/2</td> <td>2900</td> <td>1\"/&gt;  <tr> <td>U-49</td> <td>"</td> <td>"</td> <td>V-675</td> <td>122</td> <td>1/2</td> <td>2900</td> <td>1\"/&gt;  <tr> <td>U-50</td> <td>"</td> <td>"</td> <td>V-675</td> <td>122</td> <td>1/2</td> <td>2900</td> <td>1\"/&gt;  </td></tr></td></tr></td></tr></td></tr></td></tr></td></tr></td></tr></td></tr></td></tr></td></tr></td></tr></td></tr></td></tr></td></tr></td></tr></td></tr></td></tr></td></tr></td></tr></td></tr></td></tr></td></tr></td></tr></td></tr></td></tr></td></tr></td></tr></td></tr></td></tr></td></tr></td></tr></td></tr></td></tr></td></tr></td></tr></td></tr></td></tr></td></tr></td></tr>   | U-12 | " | " | V-675 | 122 | 1/2 | 2900 | 1\"/> <tr> <td>U-13</td> <td>"</td> <td>"</td> <td>V-675</td> <td>122</td> <td>1/2</td> <td>2900</td> <td>1\"/&gt;  <tr> <td>U-14</td> <td>"</td> <td>"</td> <td>V-675</td> <td>122</td> <td>1/2</td> <td>2900</td> <td>1\"/&gt;  <tr> <td>U-15</td> <td>"</td> <td>"</td> <td>V-675</td> <td>122</td> <td>1/2</td> <td>2900</td> <td>1\"/&gt;  <tr> <td>U-16</td> <td>"</td> <td>"</td> <td>V-675</td> <td>122</td> <td>1/2</td> <td>2900</td> <td>1\"/&gt;  <tr> <td>U-17</td> <td>"</td> <td>"</td> <td>V-675</td> <td>122</td> <td>1/2</td> <td>2900</td> <td>1\"/&gt;  <tr> <td>U-18</td> <td>"</td> <td>"</td> <td>V-675</td> <td>122</td> <td>1/2</td> <td>2900</td> <td>1\"/&gt;  <tr> <td>U-19</td> <td>"</td> <td>"</td> <td>V-675</td> <td>122</td> <td>1/2</td> <td>2900</td> <td>1\"/&gt;  <tr> <td>U-20</td> <td>"</td> <td>"</td> <td>V-675</td> <td>122</td> <td>1/2</td> <td>2900</td> <td>1\"/&gt;  <tr> <td>U-21</td> <td>"</td> <td>"</td> <td>V-675</td> <td>122</td> <td>1/2</td> <td>2900</td> <td>1\"/&gt;  <tr> <td>U-22</td> <td>"</td> <td>"</td> <td>V-675</td> <td>122</td> <td>1/2</td> <td>2900</td> <td>1\"/&gt;  <tr> <td>U-23</td> <td>"</td> <td>"</td> <td>V-675</td> <td>122</td> <td>1/2</td> <td>2900</td> <td>1\"/&gt;  <tr> <td>U-24</td> <td>"</td> <td>"</td> <td>V-675</td> <td>122</td> <td>1/2</td> <td>2900</td> <td>1\"/&gt;  <tr> <td>U-25</td> <td>"</td> <td>"</td> <td>V-675</td> <td>122</td> <td>1/2</td> <td>2900</td> <td>1\"/&gt;  <tr> <td>U-26</td> <td>"</td> <td>"</td> <td>V-675</td> <td>122</td> <td>1/2</td> <td>2900</td> <td>1\"/&gt;  <tr> <td>U-27</td> <td>"</td> <td>"</td> <td>V-675</td> <td>122</td> <td>1/2</td> <td>2900</td> <td>1\"/&gt;  <tr> <td>U-28</td> <td>"</td> <td>"</td> <td>V-675</td> <td>122</td> <td>1/2</td> <td>2900</td> <td>1\"/&gt;  <tr> <td>U-29</td> <td>"</td> <td>"</td> <td>V-675</td> <td>122</td> <td>1/2</td> <td>2900</td> <td>1\"/&gt;  <tr> <td>U-30</td> <td>"</td> <td>"</td> <td>V-675</td> <td>122</td> <td>1/2</td> <td>2900</td> <td>1\"/&gt;  <tr> <td>U-31</td> <td>"</td> <td>"</td> <td>V-675</td> <td>122</td> <td>1/2</td> <td>2900</td> <td>1\"/&gt;  <tr> <td>U-32</td> <td>"</td> <td>"</td> <td>V-675</td> <td>122</td> <td>1/2</td> <td>2900</td> <td>1\"/&gt;  <tr> <td>U-33</td> <td>"</td> <td>"</td> <td>V-675</td> <td>122</td> <td>1/2</td> <td>2900</td> <td>1\"/&gt;  <tr> <td>U-34</td> <td>"</td> <td>"</td> <td>V-675</td> <td>122</td> <td>1/2</td> <td>2900</td> <td>1\"/&gt;  <tr> <td>U-35</td> <td>"</td> <td>"</td> <td>V-675</td> <td>122</td> <td>1/2</td> <td>2900</td> <td>1\"/&gt;  <tr> <td>U-36</td> <td>"</td> <td>"</td> <td>V-675</td> <td>122</td> <td>1/2</td> <td>2900</td> <td>1\"/&gt;  <tr> <td>U-37</td> <td>"</td> <td>"</td> <td>V-675</td> <td>122</td> <td>1/2</td> <td>2900</td> <td>1\"/&gt;  <tr> <td>U-38</td> <td>"</td> <td>"</td> <td>V-675</td> <td>122</td> <td>1/2</td> <td>2900</td> <td>1\"/&gt;  <tr> <td>U-39</td> <td>"</td> <td>"</td> <td>V-675</td> <td>122</td> <td>1/2</td> <td>2900</td> <td>1\"/&gt;  <tr> <td>U-40</td> <td>"</td> <td>"</td> <td>V-675</td> <td>122</td> <td>1/2</td> <td>2900</td> <td>1\"/&gt;  <tr> <td>U-41</td> <td>"</td> <td>"</td> <td>V-675</td> <td>122</td> <td>1/2</td> <td>2900</td> <td>1\"/&gt;  <tr> <td>U-42</td> <td>"</td> <td>"</td> <td>V-675</td> <td>122</td> <td>1/2</td> <td>2900</td> <td>1\"/&gt;  <tr> <td>U-43</td> <td>"</td> <td>"</td> <td>V-675</td> <td>122</td> <td>1/2</td> <td>2900</td> <td>1\"/&gt;  <tr> <td>U-44</td> <td>"</td> <td>"</td> <td>V-675</td> <td>122</td> <td>1/2</td> <td>2900</td> <td>1\"/&gt;  <tr> <td>U-45</td> <td>"</td> <td>"</td> <td>V-675</td> <td>122</td> <td>1/2</td> <td>2900</td> <td>1\"/&gt;  <tr> <td>U-46</td> <td>"</td> <td>"</td> <td>V-675</td> <td>122</td> <td>1/2</td> <td>2900</td> <td>1\"/&gt;  <tr> <td>U-47</td> <td>"</td> <td>"</td> <td>V-675</td> <td>122</td> <td>1/2</td> <td>2900</td> <td>1\"/&gt;  <tr> <td>U-48</td> <td>"</td> <td>"</td> <td>V-675</td> <td>122</td> <td>1/2</td> <td>2900</td> <td>1\"/&gt;  <tr> <td>U-49</td> <td>"</td> <td>"</td> <td>V-675</td> <td>122</td> <td>1/2</td> <td>2900</td> <td>1\"/&gt;  <tr> <td>U-50</td> <td>"</td> <td>"</td> <td>V-675</td> <td>122</td> <td>1/2</td> <td>2900</td> <td>1\"/&gt;  </td></tr></td></tr></td></tr></td></tr></td></tr></td></tr></td></tr></td></tr></td></tr></td></tr></td></tr></td></tr></td></tr></td></tr></td></tr></td></tr></td></tr></td></tr></td></tr></td></tr></td></tr></td></tr></td></tr></td></tr></td></tr></td></tr></td></tr></td></tr></td></tr></td></tr></td></tr></td></tr></td></tr></td></tr></td></tr></td></tr></td></tr></td></tr>  | U-13 | " | " | V-675 | 122 | 1/2 | 2900 | 1\"/> <tr> <td>U-14</td> <td>"</td> <td>"</td> <td>V-675</td> <td>122</td> <td>1/2</td> <td>2900</td> <td>1\"/&gt;  <tr> <td>U-15</td> <td>"</td> <td>"</td> <td>V-675</td> <td>122</td> <td>1/2</td> <td>2900</td> <td>1\"/&gt;  <tr> <td>U-16</td> <td>"</td> <td>"</td> <td>V-675</td> <td>122</td> <td>1/2</td> <td>2900</td> <td>1\"/&gt;  <tr> <td>U-17</td> <td>"</td> <td>"</td> <td>V-675</td> <td>122</td> <td>1/2</td> <td>2900</td> <td>1\"/&gt;  <tr> <td>U-18</td> <td>"</td> <td>"</td> <td>V-675</td> <td>122</td> <td>1/2</td> <td>2900</td> <td>1\"/&gt;  <tr> <td>U-19</td> <td>"</td> <td>"</td> <td>V-675</td> <td>122</td> <td>1/2</td> <td>2900</td> <td>1\"/&gt;  <tr> <td>U-20</td> <td>"</td> <td>"</td> <td>V-675</td> <td>122</td> <td>1/2</td> <td>2900</td> <td>1\"/&gt;  <tr> <td>U-21</td> <td>"</td> <td>"</td> <td>V-675</td> <td>122</td> <td>1/2</td> <td>2900</td> <td>1\"/&gt;  <tr> <td>U-22</td> <td>"</td> <td>"</td> <td>V-675</td> <td>122</td> <td>1/2</td> <td>2900</td> <td>1\"/&gt;  <tr> <td>U-23</td> <td>"</td> <td>"</td> <td>V-675</td> <td>122</td> <td>1/2</td> <td>2900</td> <td>1\"/&gt;  <tr> <td>U-24</td> <td>"</td> <td>"</td> <td>V-675</td> <td>122</td> <td>1/2</td> <td>2900</td> <td>1\"/&gt;  <tr> <td>U-25</td> <td>"</td> <td>"</td> <td>V-675</td> <td>122</td> <td>1/2</td> <td>2900</td> <td>1\"/&gt;  <tr> <td>U-26</td> <td>"</td> <td>"</td> <td>V-675</td> <td>122</td> <td>1/2</td> <td>2900</td> <td>1\"/&gt;  <tr> <td>U-27</td> <td>"</td> <td>"</td> <td>V-675</td> <td>122</td> <td>1/2</td> <td>2900</td> <td>1\"/&gt;  <tr> <td>U-28</td> <td>"</td> <td>"</td> <td>V-675</td> <td>122</td> <td>1/2</td> <td>2900</td> <td>1\"/&gt;  <tr> <td>U-29</td> <td>"</td> <td>"</td> <td>V-675</td> <td>122</td> <td>1/2</td> <td>2900</td> <td>1\"/&gt;  <tr> <td>U-30</td> <td>"</td> <td>"</td> <td>V-675</td> <td>122</td> <td>1/2</td> <td>2900</td> <td>1\"/&gt;  <tr> <td>U-31</td> <td>"</td> <td>"</td> <td>V-675</td> <td>122</td> <td>1/2</td> <td>2900</td> <td>1\"/&gt;  <tr> <td>U-32</td> <td>"</td> <td>"</td> <td>V-675</td> <td>122</td> <td>1/2</td> <td>2900</td> <td>1\"/&gt;  <tr> <td>U-33</td> <td>"</td> <td>"</td> <td>V-675</td> <td>122</td> <td>1/2</td> <td>2900</td> <td>1\"/&gt;  <tr> <td>U-34</td> <td>"</td> <td>"</td> <td>V-675</td> <td>122</td> <td>1/2</td> <td>2900</td> <td>1\"/&gt;  <tr> <td>U-35</td> <td>"</td> <td>"</td> <td>V-675</td> <td>122</td> <td>1/2</td> <td>2900</td> <td>1\"/&gt;  <tr>
<td>U-36</td> <td>"</td> <td>"</td> <td>V-675</td> <td>122</td> <td>1/2</td> <td>2900</td> <td>1\"/&gt;  <tr> <td>U-37</td> <td>"</td> <td>"</td> <td>V-675</td> <td>122</td> <td>1/2</td> <td>2900</td> <td>1\"/&gt;  <tr> <td>U-38</td> <td>"</td> <td>"</td> <td>V-675</td> <td>122</td> <td>1/2</td> <td>2900</td> <td>1\"/&gt;  <tr> <td>U-39</td> <td>"</td> <td>"</td> <td>V-675</td> <td>122</td> <td>1/2</td> <td>2900</td> <td>1\"/&gt;  <tr> <td>U-40</td> <td>"</td> <td>"</td> <td>V-675</td> <td>122</td> <td>1/2</td> <td>2900</td> <td>1\"/&gt;  <tr> <td>U-41</td> <td>"</td> <td>"</td> <td>V-675</td> <td>122</td> <td>1/2</td> <td>2900</td> <td>1\"/&gt;  <tr> <td>U-42</td> <td>"</td> <td>"</td> <td>V-675</td> <td>122</td> <td>1/2</td> <td>2900</td> <td>1\"/&gt;  <tr> <td>U-43</td> <td>"</td> <td>"</td> <td>V-675</td> <td>122</td> <td>1/2</td> <td>2900</td> <td>1\"/&gt;  <tr> <td>U-44</td> <td>"</td> <td>"</td> <td>V-675</td> <td>122</td> <td>1/2</td> <td>2900</td> <td>1\"/&gt;  <tr> <td>U-45</td> <td>"</td> <td>"</td> <td>V-675</td> <td>122</td> <td>1/2</td> <td>2900</td> <td>1\"/&gt;  <tr> <td>U-46</td> <td>"</td> <td>"</td> <td>V-675</td> <td>122</td> <td>1/2</td> <td>2900</td> <td>1\"/&gt;  <tr> <td>U-47</td> <td>"</td> <td>"</td> <td>V-675</td> <td>122</td> <td>1/2</td> <td>2900</td> <td>1\"/&gt;  <tr> <td>U-48</td> <td>"</td> <td>"</td> <td>V-675</td> <td>122</td> <td>1/2</td> <td>2900</td> <td>1\"/&gt;  <tr> <td>U-49</td> <td>"</td> <td>"</td> <td>V-675</td> <td>122</td> <td>1/2</td> <td>2900</td> <td>1\"/&gt;  <tr> <td>U-50</td> <td>"</td> <td>"</td> <td>V-675</td> <td>122</td> <td>1/2</td> <td>2900</td> <td>1\"/&gt;  </td></tr></td></tr></td></tr></td></tr></td></tr></td></tr></td></tr></td></tr></td></tr></td></tr></td></tr></td></tr></td></tr></td></tr></td></tr></td></tr></td></tr></td></tr></td></tr></td></tr></td></tr></td></tr></td></tr></td></tr></td></tr></td></tr></td></tr></td></tr></td></tr></td></tr></td></tr></td></tr></td></tr></td></tr></td></tr></td></tr></td></tr>   | U-14 | " | " | V-675 | 122 | 1/2 | 2900 | 1\"/> <tr> <td>U-15</td> <td>"</td> <td>"</td> <td>V-675</td> <td>122</td> <td>1/2</td> <td>2900</td> <td>1\"/&gt;  <tr> <td>U-16</td> <td>"</td> <td>"</td> <td>V-675</td> <td>122</td> <td>1/2</td> <td>2900</td> <td>1\"/&gt;  <tr> <td>U-17</td> <td>"</td> <td>"</td> <td>V-675</td> <td>122</td> <td>1/2</td> <td>2900</td> <td>1\"/&gt;  <tr> <td>U-18</td> <td>"</td> <td>"</td> <td>V-675</td> <td>122</td> <td>1/2</td> <td>2900</td> <td>1\"/&gt;  <tr> <td>U-19</td> <td>"</td> <td>"</td> <td>V-675</td> <td>122</td> <td>1/2</td> <td>2900</td> <td>1\"/&gt;  <tr> <td>U-20</td> <td>"</td> <td>"</td> <td>V-675</td> <td>122</td> <td>1/2</td> <td>2900</td> <td>1\"/&gt;  <tr> <td>U-21</td> <td>"</td> <td>"</td> <td>V-675</td> <td>122</td> <td>1/2</td> <td>2900</td> <td>1\"/&gt;  <tr> <td>U-22</td> <td>"</td> <td>"</td> <td>V-675</td> <td>122</td> <td>1/2</td> <td>2900</td> <td>1\"/&gt;  <tr> <td>U-23</td> <td>"</td> <td>"</td> <td>V-675</td> <td>122</td> <td>1/2</td> <td>2900</td> <td>1\"/&gt;  <tr> <td>U-24</td> <td>"</td> <td>"</td> <td>V-675</td> <td>122</td> <td>1/2</td> <td>2900</td> <td>1\"/&gt;  <tr> <td>U-25</td> <td>"</td> <td>"</td> <td>V-675</td> <td>122</td> <td>1/2</td> <td>2900</td> <td>1\"/&gt;  <tr> <td>U-26</td> <td>"</td> <td>"</td> <td>V-675</td> <td>122</td> <td>1/2</td> <td>2900</td> <td>1\"/&gt;  <tr> <td>U-27</td> <td>"</td> <td>"</td> <td>V-675</td> <td>122</td> <td>1/2</td> <td>2900</td> <td>1\"/&gt;  <tr> <td>U-28</td> <td>"</td> <td>"</td> <td>V-675</td> <td>122</td> <td>1/2</td> <td>2900</td> <td>1\"/&gt;  <tr> <td>U-29</td> <td>"</td> <td>"</td> <td>V-675</td> <td>122</td> <td>1/2</td> <td>2900</td> <td>1\"/&gt;  <tr> <td>U-30</td> <td>"</td> <td>"</td> <td>V-675</td> <td>122</td> <td>1/2</td> <td>2900</td> <td>1\"/&gt;  <tr> <td>U-31</td> <td>"</td> <td>"</td> <td>V-675</td> <td>122</td> <td>1/2</td> <td>2900</td> <td>1\"/&gt;  <tr> <td>U-32</td> <td>"</td> <td>"</td> <td>V-675</td> <td>122</td> <td>1/2</td> <td>2900</td> <td>1\"/&gt;  <tr> <td>U-33</td> <td>"</td> <td>"</td> <td>V-675</td> <td>122</td> <td>1/2</td> <td>2900</td> <td>1\"/&gt;  <tr> <td>U-34</td> <td>"</td> <td>"</td> <td>V-675</td> <td>122</td> <td>1/2</td> <td>2900</td> <td>1\"/&gt;  <tr> <td>U-35</td> <td>"</td> <td>"</td> <td>V-675</td> <td>122</td> <td>1/2</td> <td>2900</td> <td>1\"/&gt;  <tr> <td>U-36</td> <td>"</td> <td>"</td> <td>V-675</td> <td>122</td> <td>1/2</td> <td>2900</td> <td>1\"/&gt;  <tr> <td>U-37</td> <td>"</td> <td>"</td> <td>V-675</td> <td>122</td> <td>1/2</td> <td>2900</td> <td>1\"/&gt;  <tr> <td>U-38</td> <td>"</td> <td>"</td> <td>V-675</td> <td>122</td> <td>1/2</td> <td>2900</td> <td>1\"/&gt;  <tr> <td>U-39</td> <td>"</td> <td>"</td> <td>V-675</td> <td>122</td> <td>1/2</td> <td>2900</td> <td>1\"/&gt;  <tr> <td>U-40</td> <td>"</td> <td>"</td> <td>V-675</td> <td>122</td> <td>1/2</td> <td>2900</td> <td>1\"/&gt;  <tr> <td>U-41</td> <td>"</td> <td>"</td> <td>V-675</td> <td>122</td> <td>1/2</td> <td>2900</td> <td>1\"/&gt;  <tr> <td>U-42</td> <td>"</td> <td>"</td> <td>V-675</td> <td>122</td> <td>1/2</td> <td>2900</td> <td>1\"/&gt;  <tr> <td>U-43</td> <td>"</td> <td>"</td> <td>V-675</td> <td>122</td> <td>1/2</td> <td>2900</td> <td>1\"/&gt;  <tr> <td>U-44</td> <td>"</td> <td>"</td> <td>V-675</td> <td>122</td> <td>1/2</td> <td>2900</td> <td>1\"/&gt;  <tr> <td>U-45</td> <td>"</td> <td>"</td> <td>V-675</td> <td>122</td> <td>1/2</td> <td>2900</td> <td>1\"/&gt;  <tr> <td>U-46</td> <td>"</td> <td>"</td> <td>V-675</td> <td>122</td> <td>1/2</td> <td>2900</td> <td>1\"/&gt;  <tr> <td>U-47</td> <td>"</td> <td>"</td> <td>V-675</td> <td>122</td> <td>1/2</td> <td>2900</td> <td>1\"/&gt;  <tr> <td>U-48</td> <td>"</td> <td>"</td> <td>V-675</td> <td>122</td> <td>1/2</td> <td>2900</td> <td>1\"/&gt;  <tr> <td>U-49</td> <td>"</td> <td>"</td> <td>V-675</td> <td>122</td> <td>1/2</td> <td>2900</td> <td>1\"/&gt;  <tr> <td>U-50</td> <td>"</td> <td>"</td> <td>V-675</td> <td>122</td> <td>1/2</td> <td>2900</td> <td>1\"/&gt;  </td></tr></td></tr></td></tr></td></tr></td></tr></td></tr></td></tr></td></tr></td></tr></td></tr></td></tr></td></tr></td></tr></td></tr></td></tr></td></tr></td></tr></td></tr></td></tr></td></tr></td></tr></td></tr></td></tr></td></tr></td></tr></td></tr></td></tr></td></tr></td></tr></td></tr></td></tr></td></tr></td></tr></td></tr></td></tr></td></tr>  | U-15 | " | " | V-675 | 122 | 1/2 | 2900 | 1\"/> <tr> <td>U-16</td> <td>"</td> <td>"</td> <td>V-675</td> <td>122</td> <td>1/2</td> <td>2900</td> <td>1\"/&gt;  <tr> <td>U-17</td> <td>"</td> <td>"</td> <td>V-675</td> <td>122</td> <td>1/2</td> <td>2900</td> <td>1\"/&gt;  <tr> <td>U-18</td> <td>"</td> <td>"</td> <td>V-675</td> <td>122</td> <td>1/2</td> <td>2900</td> <td>1\"/&gt;  <tr> <td>U-19</td> <td>"</td> <td>"</td> <td>V-675</td> <td>122</td> <td>1/2</td> <td>2900</td> <td>1\"/&gt;  <tr> <td>U-20</td> <td>"</td> <td>"</td> <td>V-675</td> <td>122</td> <td>1/2</td> <td>2900</td> <td>1\"/&gt;  <tr> <td>U-21</td> <td>"</td> <td>"</td> <td>V-675</td> <td>122</td> <td>1/2</td> <td>2900</td> <td>1\"/&gt;  <tr> <td>U-22</td> <td>"</td> <td>"</td> <td>V-675</td> <td>122</td> <td>1/2</td> <td>2900</td> <td>1\"/&gt;  <tr> <td>U-23</td> <td>"</td> <td>"</td> <td>V-675</td> <td>122</td> <td>1/2</td> <td>2900</td> <td>1\"/&gt;  <tr> <td>U-24</td> <td>"</td> <td>"</td> <td>V-675</td> <td>122</td> <td>1/2</td> <td>2900</td> <td>1\"/&gt;  <tr> <td>U-25</td> <td>"</td> <td>"</td> <td>V-675</td> <td>122</td> <td>1/2</td> <td>2900</td> <td>1\"/&gt;  <tr> <td>U-26</td> <td>"</td> <td>"</td> <td>V-675</td> <td>122</td> <td>1/2</td> <td>2900</td> <td>1\"/&gt;  <tr> <td>U-27</td> <td>"</td> <td>"</td> <td>V-675</td> <td>122</td> <td>1/2</td> <td>2900</td> <td>1\"/&gt;  <tr> <td>U-28</td> <td>"</td> <td>"</td> <td>V-675</td> <td>122</td> <td>1/2</td> <td>2900</td> <td>1\"/&gt;  <tr> <td>U-29</td> <td>"</td> <td>"</td> <td>V-675</td> <td>122</td> <td>1/2</td> <td>2900</td> <td>1\"/&gt;  <tr> <td>U-30</td> <td>"</td> <td>"</td> <td>V-675</td> <td>122</td> <td>1/2</td> <td>2900</td> <td>1\"/&gt; 
<tr> <td>U-31</td> <td>"</td> <td>"</td> <td>V-675</td> <td>122</td> <td>1/2</td> <td>2900</td> <td>1\"/&gt;  <tr> <td>U-32</td> <td>"</td> <td>"</td> <td>V-675</td> <td>122</td> <td>1/2</td> <td>2900</td> <td>1\"/&gt;  <tr> <td>U-33</td> <td>"</td> <td>"</td> <td>V-675</td> <td>122</td> <td>1/2</td> <td>2900</td> <td>1\"/&gt;  <tr> <td>U-34</td> <td>"</td> <td>"</td> <td>V-675</td> <td>122</td> <td>1/2</td> <td>2900</td> <td>1\"/&gt;  <tr> <td>U-35</td> <td>"</td> <td>"</td> <td>V-675</td> <td>122</td> <td>1/2</td> <td>2900</td> <td>1\"/&gt;  <tr> <td>U-36</td> <td>"</td> <td>"</td> <td>V-675</td> <td>122</td> <td>1/2</td> <td>2900</td> <td>1\"/&gt;  <tr> <td>U-37</td> <td>"</td> <td>"</td> <td>V-675</td> <td>122</td> <td>1/2</td> <td>2900</td> <td>1\"/&gt;  <tr> <td>U-38</td> <td>"</td> <td>"</td> <td>V-675</td> <td>122</td> <td>1/2</td> <td>2900</td> <td>1\"/&gt;  <tr> <td>U-39</td> <td>"</td> <td>"</td> <td>V-675</td> <td>122</td> <td>1/2</td> <td>2900</td> <td>1\"/&gt;  <tr> <td>U-40</td> <td>"</td> <td>"</td> <td>V-675</td> <td>122</td> <td>1/2</td> <td>2900</td> <td>1\"/&gt;  <tr> <td>U-41</td> <td>"</td> <td>"</td> <td>V-675</td> <td>122</td> <td>1/2</td> <td>2900</td> <td>1\"/&gt;  <tr> <td>U-42</td> <td>"</td> <td>"</td> <td>V-675</td> <td>122</td> <td>1/2</td> <td>2900</td> <td>1\"/&gt;  <tr> <td>U-43</td> <td>"</td> <td>"</td> <td>V-675</td> <td>122</td> <td>1/2</td> <td>2900</td> <td>1\"/&gt;  <tr> <td>U-44</td> <td>"</td> <td>"</td> <td>V-675</td> <td>122</td> <td>1/2</td> <td>2900</td> <td>1\"/&gt;  <tr> <td>U-45</td> <td>"</td> <td>"</td> <td>V-675</td> <td>122</td> <td>1/2</td> <td>2900</td> <td>1\"/&gt;  <tr> <td>U-46</td> <td>"</td> <td>"</td> <td>V-675</td> <td>122</td> <td>1/2</td> <td>2900</td> <td>1\"/&gt;  <tr> <td>U-47</td> <td>"</td> <td>"</td> <td>V-675</td> <td>122</td> <td>1/2</td> <td>2900</td> <td>1\"/&gt;  <tr> <td>U-48</td> <td>"</td> <td>"</td> <td>V-675</td> <td>122</td> <td>1/2</td> <td>2900</td> <td>1\"/&gt;  <tr> <td>U-49</td> <td>"</td> <td>"</td> <td>V-675</td> <td>122</td> <td>1/2</td> <td>2900</td> <td>1\"/&gt;  <tr> <td>U-50</td> <td>"</td> <td>"</td> <td>V-675</td> <td>122</td> <td>1/2</td> <td>2900</td> <td>1\"/&gt;  </td></tr></td></tr></td></tr></td></tr></td></tr></td></tr></td></tr></td></tr></td></tr></td></tr></td></tr></td></tr></td></tr></td></tr></td></tr></td></tr></td></tr></td></tr></td></tr></td></tr></td></tr></td></tr></td></tr></td></tr></td></tr></td></tr></td></tr></td></tr></td></tr></td></tr></td></tr></td></tr></td></tr></td></tr></td></tr>   | U-16 | " | " | V-675 | 122 | 1/2 | 2900 | 1\"/> <tr> <td>U-17</td> <td>"</td> <td>"</td> <td>V-675</td> <td>122</td> <td>1/2</td> <td>2900</td> <td>1\"/&gt;  <tr> <td>U-18</td> <td>"</td> <td>"</td> <td>V-675</td> <td>122</td> <td>1/2</td> <td>2900</td> <td>1\"/&gt;  <tr> <td>U-19</td> <td>"</td> <td>"</td> <td>V-675</td> <td>122</td> <td>1/2</td> <td>2900</td> <td>1\"/&gt;  <tr> <td>U-20</td> <td>"</td> <td>"</td> <td>V-675</td> <td>122</td> <td>1/2</td> <td>2900</td> <td>1\"/&gt;  <tr> <td>U-21</td> <td>"</td> <td>"</td> <td>V-675</td> <td>122</td> <td>1/2</td> <td>2900</td> <td>1\"/&gt;  <tr> <td>U-22</td> <td>"</td> <td>"</td> <td>V-675</td> <td>122</td> <td>1/2</td> <td>2900</td> <td>1\"/&gt;  <tr> <td>U-23</td> <td>"</td> <td>"</td> <td>V-675</td> <td>122</td> <td>1/2</td> <td>2900</td> <td>1\"/&gt;  <tr> <td>U-24</td> <td>"</td> <td>"</td> <td>V-675</td> <td>122</td> <td>1/2</td> <td>2900</td> <td>1\"/&gt;  <tr> <td>U-25</td> <td>"</td> <td>"</td> <td>V-675</td> <td>122</td> <td>1/2</td> <td>2900</td> <td>1\"/&gt;  <tr> <td>U-26</td> <td>"</td> <td>"</td> <td>V-675</td> <td>122</td> <td>1/2</td> <td>2900</td> <td>1\"/&gt;  <tr> <td>U-27</td> <td>"</td> <td>"</td> <td>V-675</td> <td>122</td> <td>1/2</td> <td>2900</td> <td>1\"/&gt;  <tr> <td>U-28</td> <td>"</td> <td>"</td> <td>V-675</td> <td>122</td> <td>1/2</td> <td>2900</td> <td>1\"/&gt;  <tr> <td>U-29</td> <td>"</td> <td>"</td> <td>V-675</td> <td>122</td> <td>1/2</td> <td>2900</td> <td>1\"/&gt;  <tr> <td>U-30</td> <td>"</td> <td>"</td> <td>V-675</td> <td>122</td> <td>1/2</td> <td>2900</td> <td>1\"/&gt;  <tr> <td>U-31</td> <td>"</td> <td>"</td> <td>V-675</td> <td>122</td> <td>1/2</td> <td>2900</td> <td>1\"/&gt;  <tr> <td>U-32</td> <td>"</td> <td>"</td> <td>V-675</td> <td>122</td> <td>1/2</td> <td>2900</td> <td>1\"/&gt;  <tr> <td>U-33</td> <td>"</td> <td>"</td> <td>V-675</td> <td>122</td> <td>1/2</td> <td>2900</td> <td>1\"/&gt;  <tr> <td>U-34</td> <td>"</td> <td>"</td> <td>V-675</td> <td>122</td> <td>1/2</td> <td>2900</td> <td>1\"/&gt;  <tr> <td>U-35</td> <td>"</td> <td>"</td> <td>V-675</td> <td>122</td> <td>1/2</td> <td>2900</td> <td>1\"/&gt;  <tr> <td>U-36</td> <td>"</td> <td>"</td> <td>V-675</td> <td>122</td> <td>1/2</td> <td>2900</td> <td>1\"/&gt;  <tr> <td>U-37</td> <td>"</td> <td>"</td> <td>V-675</td> <td>122</td> <td>1/2</td> <td>2900</td> <td>1\"/&gt;  <tr> <td>U-38</td> <td>"</td> <td>"</td> <td>V-675</td> <td>122</td> <td>1/2</td> <td>2900</td> <td>1\"/&gt;  <tr> <td>U-39</td> <td>"</td> <td>"</td> <td>V-675</td> <td>122</td> <td>1/2</td> <td>2900</td> <td>1\"/&gt;  <tr> <td>U-40</td> <td>"</td> <td>"</td> <td>V-675</td> <td>122</td> <td>1/2</td> <td>2900</td> <td>1\"/&gt;  <tr> <td>U-41</td> <td>"</td> <td>"</td> <td>V-675</td> <td>122</td> <td>1/2</td> <td>2900</td> <td>1\"/&gt;  <tr> <td>U-42</td> <td>"</td> <td>"</td> <td>V-675</td> <td>122</td> <td>1/2</td> <td>2900</td> <td>1\"/&gt;  <tr> <td>U-43</td> <td>"</td> <td>"</td> <td>V-675</td> <td>122</td> <td>1/2</td> <td>2900</td> <td>1\"/&gt;  <tr> <td>U-44</td> <td>"</td> <td>"</td> <td>V-675</td> <td>122</td> <td>1/2</td> <td>2900</td> <td>1\"/&gt;  <tr> <td>U-45</td> <td>"</td> <td>"</td> <td>V-675</td> <td>122</td> <td>1/2</td> <td>2900</td> <td>1\"/&gt;  <tr> <td>U-46</td> <td>"</td> <td>"</td> <td>V-675</td> <td>122</td> <td>1/2</td> <td>2900</td> <td>1\"/&gt;  <tr> <td>U-47</td> <td>"</td> <td>"</td> <td>V-675</td> <td>122</td> <td>1/2</td> <td>2900</td> <td>1\"/&gt;  <tr> <td>U-48</td> <td>"</td> <td>"</td> <td>V-675</td> <td>122</td> <td>1/2</td> <td>2900</td> <td>1\"/&gt;  <tr> <td>U-49</td> <td>"</td> <td>"</td> <td>V-675</td> <td>122</td> <td>1/2</td> <td>2900</td> <td>1\"/&gt;  <tr> <td>U-50</td> <td>"</td> <td>"</td> <td>V-675</td> <td>122</td> <td>1/2</td> <td>2900</td> <td>1\"/&gt;  </td></tr></td></tr></td></tr></td></tr></td></tr></td></tr></td></tr></td></tr></td></tr></td></tr></td></tr></td></tr></td></tr></td></tr></td></tr></td></tr></td></tr></td></tr></td></tr></td></tr></td></tr></td></tr></td></tr></td></tr></td></tr></td></tr></td></tr></td></tr></td></tr></td></tr></td></tr></td></tr></td></tr></td></tr>  | U-17 | " | " | V-675 | 122 | 1/2 | 2900 | 1\"/> <tr> <td>U-18</td> <td>"</td> <td>"</td> <td>V-675</td> <td>122</td> <td>1/2</td> <td>2900</td> <td>1\"/&gt;  <tr> <td>U-19</td> <td>"</td> <td>"</td> <td>V-675</td> <td>122</td> <td>1/2</td> <td>2900</td> <td>1\"/&gt;  <tr> <td>U-20</td> <td>"</td> <td>"</td> <td>V-675</td> <td>122</td> <td>1/2</td> <td>2900</td> <td>1\"/&gt;  <tr> <td>U-21</td> <td>"</td> <td>"</td> <td>V-675</td> <td>122</td> <td>1/2</td> <td>2900</td> <td>1\"/&gt;  <tr> <td>U-22</td> <td>"</td> <td>"</td> <td>V-675</td> <td>122</td> <td>1/2</td> <td>2900</td> <td>1\"/&gt;  <tr> <td>U-23</td> <td>"</td> <td>"</td> <td>V-675</td> <td>122</td> <td>1/2</td> <td>2900</td> <td>1\"/&gt;  <tr> <td>U-24</td> <td>"</td> <td>"</td> <td>V-675</td> <td>122</td> <td>1/2</td> <td>2900</td> <td>1\"/&gt;  <tr> <td>U-25</td> <td>"</td> <td>"</td> <td>V-675</td> <td>122</td> <td>1/2</td> <td>2900</td> <td>1\"/&gt;  <tr> <td>U-26</td> <td>"</td> <td>"</td> <td>V-675</td> <td>122</td> <td>1/2</td> <td>2900</td> <td>1\"/&gt;  <tr> <td>U-27</td> <td>"</td> <td>"</td> <td>V-675</td> <td>122</td> <td>1/2</td> <td>2900</td> <td>1\"/&gt;  <tr> <td>U-28</td> <td>"</td> <td>"</td> <td>V-675</td> <td>122</td> <td>1/2</td> <td>2900</td> <td>1\"/&gt;  <tr> <td>U-29</td> <td>"</td> <td>"</td> <td>V-675</td> <td>122</td> <td>1/2</td> <td>2900</td> <td>1\"/&gt;  <tr> <td>U-30</td> <td>"</td>
<td>"</td> <td>V-675</td> <td>122</td> <td>1/2</td> <td>2900</td> <td>1\"/&gt;  <tr> <td>U-31</td> <td>"</td> <td>"</td> <td>V-675</td> <td>122</td> <td>1/2</td> <td>2900</td> <td>1\"/&gt;  <tr> <td>U-32</td> <td>"</td> <td>"</td> <td>V-675</td> <td>122</td> <td>1/2</td> <td>2900</td> <td>1\"/&gt;  <tr> <td>U-33</td> <td>"</td> <td>"</td> <td>V-675</td> <td>122</td> <td>1/2</td> <td>2900</td> <td>1\"/&gt;  <tr> <td>U-34</td> <td>"</td> <td>"</td> <td>V-675</td> <td>122</td> <td>1/2</td> <td>2900</td> <td>1\"/&gt;  <tr> <td>U-35</td> <td>"</td> <td>"</td> <td>V-675</td> <td>122</td> <td>1/2</td> <td>2900</td> <td>1\"/&gt;  <tr> <td>U-36</td> <td>"</td> <td>"</td> <td>V-675</td> <td>122</td> <td>1/2</td> <td>2900</td> <td>1\"/&gt;  <tr> <td>U-37</td> <td>"</td> <td>"</td> <td>V-675</td> <td>122</td> <td>1/2</td> <td>2900</td> <td>1\"/&gt;  <tr> <td>U-38</td> <td>"</td> <td>"</td> <td>V-675</td> <td>122</td> <td>1/2</td> <td>2900</td> <td>1\"/&gt;  <tr> <td>U-39</td> <td>"</td> <td>"</td> <td>V-675</td> <td>122</td> <td>1/2</td> <td>2900</td> <td>1\"/&gt;  <tr> <td>U-40</td> <td>"</td> <td>"</td> <td>V-675</td> <td>122</td> <td>1/2</td> <td>2900</td> <td>1\"/&gt;  <tr> <td>U-41</td> <td>"</td> <td>"</td> <td>V-675</td> <td>122</td> <td>1/2</td> <td>2900</td> <td>1\"/&gt;  <tr> <td>U-42</td> <td>"</td> <td>"</td> <td>V-675</td> <td>122</td> <td>1/2</td> <td>2900</td> <td>1\"/&gt;  <tr> <td>U-43</td> <td>"</td> <td>"</td> <td>V-675</td> <td>122</td> <td>1/2</td> <td>2900</td> <td>1\"/&gt;  <tr> <td>U-44</td> <td>"</td> <td>"</td> <td>V-675</td> <td>122</td> <td>1/2</td> <td>2900</td> <td>1\"/&gt;  <tr> <td>U-45</td> <td>"</td> <td>"</td> <td>V-675</td> <td>122</td> <td>1/2</td> <td>2900</td> <td>1\"/&gt;  <tr> <td>U-46</td> <td>"</td> <td>"</td> <td>V-675</td> <td>122</td> <td>1/2</td> <td>2900</td> <td>1\"/&gt;  <tr> <td>U-47</td> <td>"</td> <td>"</td> <td>V-675</td> <td>122</td> <td>1/2</td> <td>2900</td> <td>1\"/&gt;  <tr> <td>U-48</td> <td>"</td> <td>"</td> <td>V-675</td> <td>122</td> <td>1/2</td> <td>2900</td> <td>1\"/&gt;  <tr> <td>U-49</td> <td>"</td> <td>"</td> <td>V-675</td> <td>122</td> <td>1/2</td> <td>2900</td> <td>1\"/&gt;  <tr> <td>U-50</td> <td>"</td> <td>"</td> <td>V-675</td> <td>122</td> <td>1/2</td> <td>2900</td> <td>1\"/&gt;  </td></tr></td></tr></td></tr></td></tr></td></tr></td></tr></td></tr></td></tr></td></tr></td></tr></td></tr></td></tr></td></tr></td></tr></td></tr></td></tr></td></tr></td></tr></td></tr></td></tr></td></tr></td></tr></td></tr></td></tr></td></tr></td></tr></td></tr></td></tr></td></tr></td></tr></td></tr></td></tr></td></tr>   | U-18 | " | " | V-675 | 122 | 1/2 | 2900 | 1\"/> <tr> <td>U-19</td> <td>"</td> <td>"</td> <td>V-675</td> <td>122</td> <td>1/2</td> <td>2900</td> <td>1\"/&gt;  <tr> <td>U-20</td> <td>"</td> <td>"</td> <td>V-675</td> <td>122</td> <td>1/2</td> <td>2900</td> <td>1\"/&gt;  <tr> <td>U-21</td> <td>"</td> <td>"</td> <td>V-675</td> <td>122</td> <td>1/2</td> <td>2900</td> <td>1\"/&gt;  <tr> <td>U-22</td> <td>"</td> <td>"</td> <td>V-675</td> <td>122</td> <td>1/2</td> <td>2900</td> <td>1\"/&gt;  <tr> <td>U-23</td> <td>"</td> <td>"</td> <td>V-675</td> <td>122</td> <td>1/2</td> <td>2900</td> <td>1\"/&gt;  <tr> <td>U-24</td> <td>"</td> <td>"</td> <td>V-675</td> <td>122</td> <td>1/2</td> <td>2900</td> <td>1\"/&gt;  <tr> <td>U-25</td> <td>"</td> <td>"</td> <td>V-675</td> <td>122</td> <td>1/2</td> <td>2900</td> <td>1\"/&gt;  <tr> <td>U-26</td> <td>"</td> <td>"</td> <td>V-675</td> <td>122</td> <td>1/2</td> <td>2900</td> <td>1\"/&gt;  <tr> <td>U-27</td> <td>"</td> <td>"</td> <td>V-675</td> <td>122</td> <td>1/2</td> <td>2900</td> <td>1\"/&gt;  <tr> <td>U-28</td> <td>"</td> <td>"</td> <td>V-675</td> <td>122</td> <td>1/2</td> <td>2900</td> <td>1\"/&gt;  <tr> <td>U-29</td> <td>"</td> <td>"</td> <td>V-675</td> <td>122</td> <td>1/2</td> <td>2900</td> <td>1\"/&gt;  <tr> <td>U-30</td> <td>"</td> <td>"</td> <td>V-675</td> <td>122</td> <td>1/2</td> <td>2900</td> <td>1\"/&gt;  <tr> <td>U-31</td> <td>"</td> <td>"</td> <td>V-675</td> <td>122</td> <td>1/2</td> <td>2900</td> <td>1\"/&gt;  <tr> <td>U-32</td> <td>"</td> <td>"</td> <td>V-675</td> <td>122</td> <td>1/2</td> <td>2900</td> <td>1\"/&gt;  <tr> <td>U-33</td> <td>"</td> <td>"</td> <td>V-675</td> <td>122</td> <td>1/2</td> <td>2900</td> <td>1\"/&gt;  <tr> <td>U-34</td> <td>"</td> <td>"</td> <td>V-675</td> <td>122</td> <td>1/2</td> <td>2900</td> <td>1\"/&gt;  <tr> <td>U-35</td> <td>"</td> <td>"</td> <td>V-675</td> <td>122</td> <td>1/2</td> <td>2900</td> <td>1\"/&gt;  <tr> <td>U-36</td> <td>"</td> <td>"</td> <td>V-675</td> <td>122</td> <td>1/2</td> <td>2900</td> <td>1\"/&gt;  <tr> <td>U-37</td> <td>"</td> <td>"</td> <td>V-675</td> <td>122</td> <td>1/2</td> <td>2900</td> <td>1\"/&gt;  <tr> <td>U-38</td> <td>"</td> <td>"</td> <td>V-675</td> <td>122</td> <td>1/2</td> <td>2900</td> <td>1\"/&gt;  <tr> <td>U-39</td> <td>"</td> <td>"</td> <td>V-675</td> <td>122</td> <td>1/2</td> <td>2900</td> <td>1\"/&gt;  <tr> <td>U-40</td> <td>"</td> <td>"</td> <td>V-675</td> <td>122</td> <td>1/2</td> <td>2900</td> <td>1\"/&gt;  <tr> <td>U-41</td> <td>"</td> <td>"</td> <td>V-675</td> <td>122</td> <td>1/2</td> <td>2900</td> <td>1\"/&gt;  <tr> <td>U-42</td> <td>"</td> <td>"</td> <td>V-675</td> <td>122</td> <td>1/2</td> <td>2900</td> <td>1\"/&gt;  <tr> <td>U-43</td> <td>"</td> <td>"</td> <td>V-675</td> <td>122</td> <td>1/2</td> <td>2900</td> <td>1\"/&gt;  <tr> <td>U-44</td> <td>"</td> <td>"</td> <td>V-675</td> <td>122</td> <td>1/2</td> <td>2900</td> <td>1\"/&gt;  <tr> <td>U-45</td> <td>"</td> <td>"</td> <td>V-675</td> <td>122</td> <td>1/2</td> <td>2900</td> <td>1\"/&gt;  <tr> <td>U-46</td> <td>"</td> <td>"</td> <td>V-675</td> <td>122</td> <td>1/2</td> <td>2900</td> <td>1\"/&gt;  <tr> <td>U-47</td> <td>"</td> <td>"</td> <td>V-675</td> <td>122</td> <td>1/2</td> <td>2900</td> <td>1\"/&gt;  <tr> <td>U-48</td> <td>"</td> <td>"</td> <td>V-675</td> <td>122</td> <td>1/2</td> <td>2900</td> <td>1\"/&gt;  <tr> <td>U-49</td> <td>"</td> <td>"</td> <td>V-675</td> <td>122</td> <td>1/2</td> <td>2900</td> <td>1\"/&gt;  <tr> <td>U-50</td> <td>"</td> <td>"</td> <td>V-675</td> <td>122</td> <td>1/2</td> <td>2900</td> <td>1\"/&gt;  </td></tr></td></tr></td></tr></td></tr></td></tr></td></tr></td></tr></td></tr></td></tr></td></tr></td></tr></td></tr></td></tr></td></tr></td></tr></td></tr></td></tr></td></tr></td></tr></td></tr></td></tr></td></tr></td></tr></td></tr></td></tr></td></tr></td></tr></td></tr></td></tr></td></tr></td></tr></td></tr>   | U-19 | " | " | V-675 | 122 | 1/2 | 2900 | 1\"/> <tr> <td>U-20</td> <td>"</td> <td>"</td> <td>V-675</td> <td>122</td> <td>1/2</td> <td>2900</td> <td>1\"/&gt;  <tr> <td>U-21</td> <td>"</td> <td>"</td> <td>V-675</td> <td>122</td> <td>1/2</td> <td>2900</td> <td>1\"/&gt;  <tr> <td>U-22</td> <td>"</td> <td>"</td> <td>V-675</td> <td>122</td> <td>1/2</td> <td>2900</td> <td>1\"/&gt;  <tr> <td>U-23</td> <td>"</td> <td>"</td> <td>V-675</td> <td>122</td> <td>1/2</td> <td>2900</td> <td>1\"/&gt;  <tr> <td>U-24</td> <td>"</td> <td>"</td> <td>V-675</td> <td>122</td> <td>1/2</td> <td>2900</td> <td>1\"/&gt;  <tr> <td>U-25</td> <td>"</td> <td>"</td> <td>V-675</td> <td>122</td> <td>1/2</td> <td>2900</td> <td>1\"/&gt;  <tr> <td>U-26</td> <td>"</td> <td>"</td> <td>V-675</td> <td>122</td> <td>1/2</td> <td>2900</td> <td>1\"/&gt;  <tr> <td>U-27</td> <td>"</td> <td>"</td> <td>V-675</td> <td>122</td> <td>1/2</td> <td>2900</td> <td>1\"/&gt;  <tr> <td>U-28</td> <td>"</td> <td>"</td> <td>V-675</td> <td>122</td> <td>1/2</td> <td>2900</td> <td>1\"/&gt;  <tr> <td>U-29</td> <td>"</td> <td>"</td> <td>V-675</td> <td>122</td> <td>1/2</td> <td>2900</td> <td>1\"/&gt;  <tr> <td>U-30</td> <td>"</td> <td>"</td> <td>V-675</td> <td>122</td> <td>1/2</td> <td>2900</td> <td>1\"/&gt;  <tr> <td>U-31</td> <td>"</td> <td>"</td> <td>V-675</td> <td>122</td> <td>1/2</td> <td>2900</td> <td>1\"/&gt;  <tr> <td>U-32</td> <td>"</td> <td>"</td> <td>V-675</td> <td>122</td> <td>1/2</td> <td>2900</td> <td>1\"/&gt;  <tr> <td>U-33</td> <td>"</td> <td>"</td> <td>V-675</td> <td>122</td> <td>1/2</td> <td>2900</td>
<td>1\"/&gt;  <tr> <td>U-34</td> <td>"</td> <td>"</td> <td>V-675</td> <td>122</td> <td>1/2</td> <td>2900</td> <td>1\"/&gt;  <tr> <td>U-35</td> <td>"</td> <td>"</td> <td>V-675</td> <td>122</td> <td>1/2</td> <td>2900</td> <td>1\"/&gt;  <tr> <td>U-36</td> <td>"</td> <td>"</td> <td>V-675</td> <td>122</td> <td>1/2</td> <td>2900</td> <td>1\"/&gt;  <tr> <td>U-37</td> <td>"</td> <td>"</td> <td>V-675</td> <td>122</td> <td>1/2</td> <td>2900</td> <td>1\"/&gt;  <tr> <td>U-38</td> <td>"</td> <td>"</td> <td>V-675</td> <td>122</td> <td>1/2</td> <td>2900</td> <td>1\"/&gt;  <tr> <td>U-39</td> <td>"</td> <td>"</td> <td>V-675</td> <td>122</td> <td>1/2</td> <td>2900</td> <td>1\"/&gt;  <tr> <td>U-40</td> <td>"</td> <td>"</td> <td>V-675</td> <td>122</td> <td>1/2</td> <td>2900</td> <td>1\"/&gt;  <tr> <td>U-41</td> <td>"</td> <td>"</td> <td>V-675</td> <td>122</td> <td>1/2</td> <td>2900</td> <td>1\"/&gt;  <tr> <td>U-42</td> <td>"</td> <td>"</td> <td>V-675</td> <td>122</td> <td>1/2</td> <td>2900</td> <td>1\"/&gt;  <tr> <td>U-43</td> <td>"</td> <td>"</td> <td>V-675</td> <td>122</td> <td>1/2</td> <td>2900</td> <td>1\"/&gt;  <tr> <td>U-44</td> <td>"</td> <td>"</td> <td>V-675</td> <td>122</td> <td>1/2</td> <td>2900</td> <td>1\"/&gt;  <tr> <td>U-45</td> <td>"</td> <td>"</td> <td>V-675</td> <td>122</td> <td>1/2</td> <td>2900</td> <td>1\"/&gt;  <tr> <td>U-46</td> <td>"</td> <td>"</td> <td>V-675</td> <td>122</td> <td>1/2</td> <td>2900</td> <td>1\"/&gt;  <tr> <td>U-47</td> <td>"</td> <td>"</td> <td>V-675</td> <td>122</td> <td>1/2</td> <td>2900</td> <td>1\"/&gt;  <tr> <td>U-48</td> <td>"</td> <td>"</td> <td>V-675</td> <td>122</td> <td>1/2</td> <td>2900</td> <td>1\"/&gt;  <tr> <td>U-49</td> <td>"</td> <td>"</td> <td>V-675</td> <td>122</td> <td>1/2</td> <td>2900</td> <td>1\"/&gt;  <tr> <td>U-50</td> <td>"</td> <td>"</td> <td>V-675</td> <td>122</td> <td>1/2</td> <td>2900</td> <td>1\"/&gt;  </td></tr></td></tr></td></tr></td></tr></td></tr></td></tr></td></tr></td></tr></td></tr></td></tr></td></tr></td></tr></td></tr></td></tr></td></tr></td></tr></td></tr></td></tr></td></tr></td></tr></td></tr></td></tr></td></tr></td></tr></td></tr></td></tr></td></tr></td></tr></td></tr></td></tr></td></tr>   | U-20 | " | " | V-675 | 122 | 1/2 | 2900 | 1\"/> <tr> <td>U-21</td> <td>"</td> <td>"</td> <td>V-675</td> <td>122</td> <td>1/2</td> <td>2900</td> <td>1\"/&gt;  <tr> <td>U-22</td> <td>"</td> <td>"</td> <td>V-675</td> <td>122</td> <td>1/2</td> <td>2900</td> <td>1\"/&gt;  <tr> <td>U-23</td> <td>"</td> <td>"</td> <td>V-675</td> <td>122</td> <td>1/2</td> <td>2900</td> <td>1\"/&gt;  <tr> <td>U-24</td> <td>"</td> <td>"</td> <td>V-675</td> <td>122</td> <td>1/2</td> <td>2900</td> <td>1\"/&gt;  <tr> <td>U-25</td> <td>"</td> <td>"</td> <td>V-675</td> <td>122</td> <td>1/2</td> <td>2900</td> <td>1\"/&gt;  <tr> <td>U-26</td> <td>"</td> <td>"</td> <td>V-675</td> <td>122</td> <td>1/2</td> <td>2900</td> <td>1\"/&gt;  <tr> <td>U-27</td> <td>"</td> <td>"</td> <td>V-675</td> <td>122</td> <td>1/2</td> <td>2900</td> <td>1\"/&gt;  <tr> <td>U-28</td> <td>"</td> <td>"</td> <td>V-675</td> <td>122</td> <td>1/2</td> <td>2900</td> <td>1\"/&gt;  <tr> <td>U-29</td> <td>"</td> <td>"</td> <td>V-675</td> <td>122</td> <td>1/2</td> <td>2900</td> <td>1\"/&gt;  <tr> <td>U-30</td> <td>"</td> <td>"</td> <td>V-675</td> <td>122</td> <td>1/2</td> <td>2900</td> <td>1\"/&gt;  <tr> <td>U-31</td> <td>"</td> <td>"</td> <td>V-675</td> <td>122</td> <td>1/2</td> <td>2900</td> <td>1\"/&gt;  <tr> <td>U-32</td> <td>"</td> <td>"</td> <td>V-675</td> <td>122</td> <td>1/2</td> <td>2900</td> <td>1\"/&gt;  <tr> <td>U-33</td> <td>"</td> <td>"</td> <td>V-675</td> <td>122</td> <td>1/2</td> <td>2900</td> <td>1\"/&gt;  <tr> <td>U-34</td> <td>"</td> <td>"</td> <td>V-675</td> <td>122</td> <td>1/2</td> <td>2900</td> <td>1\"/&gt;  <tr> <td>U-35</td> <td>"</td> <td>"</td> <td>V-675</td> <td>122</td> <td>1/2</td> <td>2900</td> <td>1\"/&gt;  <tr> <td>U-36</td> <td>"</td> <td>"</td> <td>V-675</td> <td>122</td> <td>1/2</td> <td>2900</td> <td>1\"/&gt;  <tr> <td>U-37</td> <td>"</td> <td>"</td> <td>V-675</td> <td>122</td> <td>1/2</td> <td>2900</td> <td>1\"/&gt;  <tr> <td>U-38</td> <td>"</td> <td>"</td> <td>V-675</td> <td>122</td> <td>1/2</td> <td>2900</td> <td>1\"/&gt;  <tr> <td>U-39</td> <td>"</td> <td>"</td> <td>V-675</td> <td>122</td> <td>1/2</td> <td>2900</td> <td>1\"/&gt;  <tr> <td>U-40</td> <td>"</td> <td>"</td> <td>V-675</td> <td>122</td> <td>1/2</td> <td>2900</td> <td>1\"/&gt;  <tr> <td>U-41</td> <td>"</td> <td>"</td> <td>V-675</td> <td>122</td> <td>1/2</td> <td>2900</td> <td>1\"/&gt;  <tr> <td>U-42</td> <td>"</td> <td>"</td> <td>V-675</td> <td>122</td> <td>1/2</td> <td>2900</td> <td>1\"/&gt;  <tr> <td>U-43</td> <td>"</td> <td>"</td> <td>V-675</td> <td>122</td> <td>1/2</td> <td>2900</td> <td>1\"/&gt;  <tr> <td>U-44</td> <td>"</td> <td>"</td> <td>V-675</td> <td>122</td> <td>1/2</td> <td>2900</td> <td>1\"/&gt;  <tr> <td>U-45</td> <td>"</td> <td>"</td> <td>V-675</td> <td>122</td> <td>1/2</td> <td>2900</td> <td>1\"/&gt;  <tr> <td>U-46</td> <td>"</td> <td>"</td> <td>V-675</td> <td>122</td> <td>1/2</td> <td>2900</td> <td>1\"/&gt;  <tr> <td>U-47</td> <td>"</td> <td>"</td> <td>V-675</td> <td>122</td> <td>1/2</td> <td>2900</td> <td>1\"/&gt;  <tr> <td>U-48</td> <td>"</td> <td>"</td> <td>V-675</td> <td>122</td> <td>1/2</td> <td>2900</td> <td>1\"/&gt;  <tr> <td>U-49</td> <td>"</td> <td>"</td> <td>V-675</td> <td>122</td> <td>1/2</td> <td>2900</td> <td>1\"/&gt;  <tr> <td>U-50</td> <td>"</td> <td>"</td> <td>V-675</td> <td>122</td> <td>1/2</td> <td>2900</td> <td>1\"/&gt;  </td></tr></td></tr></td></tr></td></tr></td></tr></td></tr></td></tr></td></tr></td></tr></td></tr></td></tr></td></tr></td></tr></td></tr></td></tr></td></tr></td></tr></td></tr></td></tr></td></tr></td></tr></td></tr></td></tr></td></tr></td></tr></td></tr></td></tr></td></tr></td></tr></td></tr>   | U-21 | " | " | V-675 | 122 | 1/2 | 2900 | 1\"/> <tr> <td>U-22</td> <td>"</td> <td>"</td> <td>V-675</td> <td>122</td> <td>1/2</td> <td>2900</td> <td>1\"/&gt;  <tr> <td>U-23</td> <td>"</td> <td>"</td> <td>V-675</td> <td>122</td> <td>1/2</td> <td>2900</td> <td>1\"/&gt;  <tr> <td>U-24</td> <td>"</td> <td>"</td> <td>V-675</td> <td>122</td> <td>1/2</td> <td>2900</td> <td>1\"/&gt;  <tr> <td>U-25</td> <td>"</td> <td>"</td> <td>V-675</td> <td>122</td> <td>1/2</td> <td>2900</td> <td>1\"/&gt;  <tr> <td>U-26</td> <td>"</td> <td>"</td> <td>V-675</td> <td>122</td> <td>1/2</td> <td>2900</td> <td>1\"/&gt;  <tr> <td>U-27</td> <td>"</td> <td>"</td> <td>V-675</td> <td>122</td> <td>1/2</td> <td>2900</td> <td>1\"/&gt;  <tr> <td>U-28</td> <td>"</td> <td>"</td> <td>V-675</td> <td>122</td> <td>1/2</td> <td>2900</td> <td>1\"/&gt;  <tr> <td>U-29</td> <td>"</td> <td>"</td> <td>V-675</td> <td>122</td> <td>1/2</td> <td>2900</td> <td>1\"/&gt;  <tr> <td>U-30</td> <td>"</td> <td>"</td> <td>V-675</td> <td>122</td> <td>1/2</td> <td>2900</td> <td>1\"/&gt;  <tr> <td>U-31</td> <td>"</td> <td>"</td> <td>V-675</td> <td>122</td> <td>1/2</td> <td>2900</td> <td>1\"/&gt;  <tr> <td>U-32</td> <td>"</td> <td>"</td> <td>V-675</td> <td>122</td> <td>1/2</td> <td>2900</td> <td>1\"/&gt;  <tr> <td>U-33</td> <td>"</td> <td>"</td> <td>V-675</td> <td>122</td> <td>1/2</td> <td>2900</td> <td>1\"/&gt;  <tr> <td>U-34</td> <td>"</td> <td>"</td> <td>V-675</td> <td>122</td> <td>1/2</td> <td>2900</td> <td>1\"/&gt;  <tr> <td>U-35</td> <td>"</td> <td>"</td> <td>V-675</td> <td>122</td> <td>1/2</td> <td>2900</td> <td>1\"/&gt;  <tr> <td>U-36</td> <td>"</td> <td>"</td> <td>V-675</td> <td>122</td> <td>1/2</td> <td>2900</td> <td>1\"/&gt;  <tr> <td>U-37</td> <td>"</td> <td>"</td> <td>V-675</td> <td>122</td> <td>1/2</td> <td>2900</td> <td>1\"/&gt;  <tr> <td>U-38</td> <td>"</td> <td>"</td> <td>V-675</td> <td>122</td> <td>1/2</td> <td>2900</td> <td>1\"/&gt;  <tr> <td>U-39</td> <td>"</td> <td>"</td> <td>V-675</td> <td>122</td> <td>1/2</td> <td>2900</td> <td>1\"/&gt;  <tr> <td>U-40</td> <td>"</td> <td>"</td> <td>V-675</td> <td>122</td> <td>1/2</td> <td>2900</td> <td>1\"/&gt;  <tr> <td>U-41</td> <td>"</td> <td>"</td> <td>V-675</td> <td>122</td> <td>1/2</td>
<td>2900</td> <td>1\"/&gt;  <tr> <td>U-42</td> <td>"</td> <td>"</td> <td>V-675</td> <td>122</td> <td>1/2</td> <td>2900</td> <td>1\"/&gt;  <tr> <td>U-43</td> <td>"</td> <td>"</td> <td>V-675</td> <td>122</td> <td>1/2</td> <td>2900</td> <td>1\"/&gt;  <tr> <td>U-44</td> <td>"</td> <td>"</td> <td>V-675</td> <td>122</td> <td>1/2</td> <td>2900</td> <td>1\"/&gt;  <tr> <td>U-45</td> <td>"</td> <td>"</td> <td>V-675</td> <td>122</td> <td>1/2</td> <td>2900</td> <td>1\"/&gt;  <tr> <td>U-46</td> <td>"</td> <td>"</td> <td>V-675</td> <td>122</td> <td>1/2</td> <td>2900</td> <td>1\"/&gt;  <tr> <td>U-47</td> <td>"</td> <td>"</td> <td>V-675</td> <td>122</td> <td>1/2</td> <td>2900</td> <td>1\"/&gt;  <tr> <td>U-48</td> <td>"</td> <td>"</td> <td>V-675</td> <td>122</td> <td>1/2</td> <td>2900</td> <td>1\"/&gt;  <tr> <td>U-49</td> <td>"</td> <td>"</td> <td>V-675</td> <td>122</td> <td>1/2</td> <td>2900</td> <td>1\"/&gt;  <tr> <td>U-50</td> <td>"</td> <td>"</td> <td>V-675</td> <td>122</td> <td>1/2</td> <td>2900</td> <td>1\"/&gt;  </td></tr></td></tr></td></tr></td></tr></td></tr></td></tr></td></tr></td></tr></td></tr></td></tr></td></tr></td></tr></td></tr></td></tr></td></tr></td></tr></td></tr></td></tr></td></tr></td></tr></td></tr></td></tr></td></tr></td></tr></td></tr></td></tr></td></tr></td></tr></td></tr>   | U-22 | " | " | V-675 | 122 | 1/2 | 2900 | 1\"/> <tr> <td>U-23</td> <td>"</td> <td>"</td> <td>V-675</td> <td>122</td> <td>1/2</td> <td>2900</td> <td>1\"/&gt;  <tr> <td>U-24</td> <td>"</td> <td>"</td> <td>V-675</td> <td>122</td> <td>1/2</td> <td>2900</td> <td>1\"/&gt;  <tr> <td>U-25</td> <td>"</td> <td>"</td> <td>V-675</td> <td>122</td> <td>1/2</td> <td>2900</td> <td>1\"/&gt;  <tr> <td>U-26</td> <td>"</td> <td>"</td> <td>V-675</td> <td>122</td> <td>1/2</td> <td>2900</td> <td>1\"/&gt;  <tr> <td>U-27</td> <td>"</td> <td>"</td> <td>V-675</td> <td>122</td> <td>1/2</td> <td>2900</td> <td>1\"/&gt;  <tr> <td>U-28</td> <td>"</td> <td>"</td> <td>V-675</td> <td>122</td> <td>1/2</td> <td>2900</td> <td>1\"/&gt;  <tr> <td>U-29</td> <td>"</td> <td>"</td> <td>V-675</td> <td>122</td> <td>1/2</td> <td>2900</td> <td>1\"/&gt;  <tr> <td>U-30</td> <td>"</td> <td>"</td> <td>V-675</td> <td>122</td> <td>1/2</td> <td>2900</td> <td>1\"/&gt;  <tr> <td>U-31</td> <td>"</td> <td>"</td> <td>V-675</td> <td>122</td> <td>1/2</td> <td>2900</td> <td>1\"/&gt;  <tr> <td>U-32</td> <td>"</td> <td>"</td> <td>V-675</td> <td>122</td> <td>1/2</td> <td>2900</td> <td>1\"/&gt;  <tr> <td>U-33</td> <td>"</td> <td>"</td> <td>V-675</td> <td>122</td> <td>1/2</td> <td>2900</td> <td>1\"/&gt;  <tr> <td>U-34</td> <td>"</td> <td>"</td> <td>V-675</td> <td>122</td> <td>1/2</td> <td>2900</td> <td>1\"/&gt;  <tr> <td>U-35</td> <td>"</td> <td>"</td> <td>V-675</td> <td>122</td> <td>1/2</td> <td>2900</td> <td>1\"/&gt;  <tr> <td>U-36</td> <td>"</td> <td>"</td> <td>V-675</td> <td>122</td> <td>1/2</td> <td>2900</td> <td>1\"/&gt;  <tr> <td>U-37</td> <td>"</td> <td>"</td> <td>V-675</td> <td>122</td> <td>1/2</td> <td>2900</td> <td>1\"/&gt;  <tr> <td>U-38</td> <td>"</td> <td>"</td> <td>V-675</td> <td>122</td> <td>1/2</td> <td>2900</td> <td>1\"/&gt;  <tr> <td>U-39</td> <td>"</td> <td>"</td> <td>V-675</td> <td>122</td> <td>1/2</td> <td>2900</td> <td>1\"/&gt;  <tr> <td>U-40</td> <td>"</td> <td>"</td> <td>V-675</td> <td>122</td> <td>1/2</td> <td>2900</td> <td>1\"/&gt;  <tr> <td>U-41</td> <td>"</td> <td>"</td> <td>V-675</td> <td>122</td> <td>1/2</td> <td>2900</td> <td>1\"/&gt;  <tr> <td>U-42</td> <td>"</td> <td>"</td> <td>V-675</td> <td>122</td> <td>1/2</td> <td>2900</td> <td>1\"/&gt;  <tr> <td>U-43</td> <td>"</td> <td>"</td> <td>V-675</td> <td>122</td> <td>1/2</td> <td>2900</td> <td>1\"/&gt;  <tr> <td>U-44</td> <td>"</td> <td>"</td> <td>V-675</td> <td>122</td> <td>1/2</td> <td>2900</td> <td>1\"/&gt;  <tr> <td>U-45</td> <td>"</td> <td>"</td> <td>V-675</td> <td>122</td> <td>1/2</td> <td>2900</td> <td>1\"/&gt;  <tr> <td>U-46</td> <td>"</td> <td>"</td> <td>V-675</td> <td>122</td> <td>1/2</td> <td>2900</td> <td>1\"/&gt;  <tr> <td>U-47</td> <td>"</td> <td>"</td> <td>V-675</td> <td>122</td> <td>1/2</td> <td>2900</td> <td>1\"/&gt;  <tr> <td>U-48</td> <td>"</td> <td>"</td> <td>V-675</td> <td>122</td> <td>1/2</td> <td>2900</td> <td>1\"/&gt;  <tr> <td>U-49</td> <td>"</td> <td>"</td> <td>V-675</td> <td>122</td> <td>1/2</td> <td>2900</td> <td>1\"/&gt;  <tr> <td>U-50</td> <td>"</td> <td>"</td> <td>V-675</td> <td>122</td> <td>1/2</td> <td>2900</td> <td>1\"/&gt;  </td></tr></td></tr></td></tr></td></tr></td></tr></td></tr></td></tr></td></tr></td></tr></td></tr></td></tr></td></tr></td></tr></td></tr></td></tr></td></tr></td></tr></td></tr></td></tr></td></tr></td></tr></td></tr></td></tr></td></tr></td></tr></td></tr></td></tr></td></tr>   | U-23 | " | " | V-675 | 122 | 1/2 | 2900 | 1\"/> <tr> <td>U-24</td> <td>"</td> <td>"</td> <td>V-675</td> <td>122</td> <td>1/2</td> <td>2900</td> <td>1\"/&gt;  <tr> <td>U-25</td> <td>"</td> <td>"</td> <td>V-675</td> <td>122</td> <td>1/2</td> <td>2900</td> <td>1\"/&gt;  <tr> <td>U-26</td> <td>"</td> <td>"</td> <td>V-675</td> <td>122</td> <td>1/2</td> <td>2900</td> <td>1\"/&gt;  <tr> <td>U-27</td> <td>"</td> <td>"</td> <td>V-675</td> <td>122</td> <td>1/2</td> <td>2900</td> <td>1\"/&gt;  <tr> <td>U-28</td> <td>"</td> <td>"</td> <td>V-675</td> <td>122</td> <td>1/2</td> <td>2900</td> <td>1\"/&gt;  <tr> <td>U-29</td> <td>"</td> <td>"</td> <td>V-675</td> <td>122</td> <td>1/2</td> <td>2900</td> <td>1\"/&gt;  <tr> <td>U-30</td> <td>"</td> <td>"</td> <td>V-675</td> <td>122</td> <td>1/2</td> <td>2900</td> <td>1\"/&gt;  <tr> <td>U-31</td> <td>"</td> <td>"</td> <td>V-675</td> <td>122</td> <td>1/2</td> <td>2900</td> <td>1\"/&gt;  <tr> <td>U-32</td> <td>"</td> <td>"</td> <td>V-675</td> <td>122</td> <td>1/2</td> <td>2900</td> <td>1\"/&gt;  <tr> <td>U-33</td> <td>"</td> <td>"</td> <td>V-675</td> <td>122</td> <td>1/2</td> <td>2900</td> <td>1\"/&gt;  <tr> <td>U-34</td> <td>"</td> <td>"</td> <td>V-675</td> <td>122</td> <td>1/2</td> <td>2900</td> <td>1\"/&gt;  <tr> <td>U-35</td> <td>"</td> <td>"</td> <td>V-675</td> <td>122</td> <td>1/2</td> <td>2900</td> <td>1\"/&gt;  <tr> <td>U-36</td> <td>"</td> <td>"</td> <td>V-675</td> <td>122</td> <td>1/2</td> <td>2900</td> <td>1\"/&gt;  <tr> <td>U-37</td> <td>"</td> <td>"</td> <td>V-675</td> <td>122</td> <td>1/2</td> <td>2900</td> <td>1\"/&gt;  <tr> <td>U-38</td> <td>"</td> <td>"</td> <td>V-675</td> <td>122</td> <td>1/2</td> <td>2900</td> <td>1\"/&gt;  <tr> <td>U-39</td> <td>"</td> <td>"</td> <td>V-675</td> <td>122</td> <td>1/2</td> <td>2900</td> <td>1\"/&gt;  <tr> <td>U-40</td> <td>"</td> <td>"</td> <td>V-675</td> <td>122</td> <td>1/2</td> <td>2900</td> <td>1\"/&gt;  <tr> <td>U-41</td> <td>"</td> <td>"</td> <td>V-675</td> <td>122</td> <td>1/2</td> <td>2900</td> <td>1\"/&gt;  <tr> <td>U-42</td> <td>"</td> <td>"</td> <td>V-675</td> <td>122</td> <td>1/2</td> <td>2900</td> <td>1\"/&gt;  <tr> <td>U-43</td> <td>"</td> <td>"</td> <td>V-675</td> <td>122</td> <td>1/2</td> <td>2900</td> <td>1\"/&gt;  <tr> <td>U-44</td> <td>"</td> <td>"</td> <td>V-675</td> <td>122</td> <td>1/2</td> <td>2900</td> <td>1\"/&gt;  <tr> <td>U-45</td> <td>"</td> <td>"</td> <td>V-675</td> <td>122</td> <td>1/2</td> <td>2900</td> <td>1\"/&gt;  <tr> <td>U-46</td> <td>"</td> <td>"</td> <td>V-675</td> <td>122</td> <td>1/2</td> <td>2900</td> <td>1\"/&gt;  <tr> <td>U-47</td> <td>"</td> <td>"</td> <td>V-675</td> <td>122</td> <td>1/2</td> <td>2900</td> <td>1\"/&gt;  <tr> <td>U-48</td> <td>"</td> <td>"</td> <td>V-675</td> <td>122</td> <td>1/2</td> <td>2900</td> <td>1\"/&gt;  <tr> <td>U-49</td> <td>"</td> <td>"</td> <td>V-675</td> <td>122</td> <td>1/2</td> <td>2900</td> <td>1\"/&gt;  <tr> <td>U-50</td> <td>"</td> <td>"</td> <td>V-675</td> <td>122</td> <td>1/2</td> <td>2900</td> <td>1\"/&gt;  </td></tr></td></tr></td></tr></td></tr></td></tr></td></tr></td></tr></td></tr></td></tr></td></tr></td></tr></td></tr></td></tr></td></tr></td></tr></td></tr></td></tr></td></tr></td></tr></td></tr></td></tr></td></tr></td></tr></td></tr></td></tr></td></tr></td></tr>   
   | U-24 | " | " | V-675 | 122 | 1/2 | 2900 | 1\"/> <tr> <td>U-25</td> <td>"</td> <td>"</td> <td>V-675</td> <td>122</td> <td>1/2</td> <td>2900</td> <td>1\"/&gt;  <tr> <td>U-26</td> <td>"</td> <td>"</td> <td>V-675</td> <td>122</td> <td>1/2</td> <td>2900</td> <td>1\"/&gt;  <tr> <td>U-27</td> <td>"</td> <td>"</td> <td>V-675</td> <td>122</td> <td>1/2</td> <td>2900</td> <td>1\"/&gt;  <tr> <td>U-28</td> <td>"</td> <td>"</td> <td>V-675</td> <td>122</td> <td>1/2</td> <td>2900</td> <td>1\"/&gt;  <tr> <td>U-29</td> <td>"</td> <td>"</td> <td>V-675</td> <td>122</td> <td>1/2</td> <td>2900</td> <td>1\"/&gt;  <tr> <td>U-30</td> <td>"</td> <td>"</td> <td>V-675</td> <td>122</td> <td>1/2</td> <td>2900</td> <td>1\"/&gt;  <tr> <td>U-31</td> <td>"</td> <td>"</td> <td>V-675</td> <td>122</td> <td>1/2</td> <td>2900</td> <td>1\"/&gt;  <tr> <td>U-32</td> <td>"</td> <td>"</td> <td>V-675</td> <td>122</td> <td>1/2</td> <td>2900</td> <td>1\"/&gt;  <tr> <td>U-33</td> <td>"</td> <td>"</td> <td>V-675</td> <td>122</td> <td>1/2</td> <td>2900</td> <td>1\"/&gt;  <tr> <td>U-34</td> <td>"</td> <td>"</td> <td>V-675</td> <td>122</td> <td>1/2</td> <td>2900</td> <td>1\"/&gt;  <tr> <td>U-35</td> <td>"</td> <td>"</td> <td>V-675</td> <td>122</td> <td>1/2</td> <td>2900</td> <td>1\"/&gt;  <tr> <td>U-36</td> <td>"</td> <td>"</td> <td>V-675</td> <td>122</td> <td>1/2</td> <td>2900</td> <td>1\"/&gt;  <tr> <td>U-37</td> <td>"</td> <td>"</td> <td>V-675</td> <td>122</td> <td>1/2</td> <td>2900</td> <td>1\"/&gt;  <tr> <td>U-38</td> <td>"</td> <td>"</td> <td>V-675</td> <td>122</td> <td>1/2</td> <td>2900</td> <td>1\"/&gt;  <tr> <td>U-39</td> <td>"</td> <td>"</td> <td>V-675</td> <td>122</td> <td>1/2</td> <td>2900</td> <td>1\"/&gt;  <tr> <td>U-40</td> <td>"</td> <td>"</td> <td>V-675</td> <td>122</td> <td>1/2</td> <td>2900</td> <td>1\"/&gt;  <tr> <td>U-41</td> <td>"</td> <td>"</td> <td>V-675</td> <td>122</td> <td>1/2</td> <td>2900</td> <td>1\"/&gt;  <tr> <td>U-42</td> <td>"</td> <td>"</td> <td>V-675</td> <td>122</td> <td>1/2</td> <td>2900</td> <td>1\"/&gt;  <tr> <td>U-43</td> <td>"</td> <td>"</td> <td>V-675</td> <td>122</td> <td>1/2</td> <td>2900</td> <td>1\"/&gt;  <tr> <td>U-44</td> <td>"</td> <td>"</td> <td>V-675</td> <td>122</td> <td>1/2</td> <td>2900</td> <td>1\"/&gt;  <tr> <td>U-45</td> <td>"</td> <td>"</td> <td>V-675</td> <td>122</td> <td>1/2</td> <td>2900</td> <td>1\"/&gt;  <tr> <td>U-46</td> <td>"</td> <td>"</td> <td>V-675</td> <td>122</td> <td>1/2</td> <td>2900</td> <td>1\"/&gt;  <tr> <td>U-47</td> <td>"</td> <td>"</td> <td>V-675</td> <td>122</td> <td>1/2</td> <td>2900</td> <td>1\"/&gt;  <tr> <td>U-48</td> <td>"</td> <td>"</td> <td>V-675</td> <td>122</td> <td>1/2</td> <td>2900</td> <td>1\"/&gt;  <tr> <td>U-49</td> <td>"</td> <td>"</td> <td>V-675</td> <td>122</td> <td>1/2</td> <td>2900</td> <td>1\"/&gt;  <tr> <td>U-50</td> <td>"</td> <td>"</td> <td>V-675</td> <td>122</td> <td>1/2</td> <td>2900</td> <td>1\"/&gt;  </td></tr></td></tr></td></tr></td></tr></td></tr></td></tr></td></tr></td></tr></td></tr></td></tr></td></tr></td></tr></td></tr></td></tr></td></tr></td></tr></td></tr></td></tr></td></tr></td></tr></td></tr></td></tr></td></tr></td></tr></td></tr></td></tr>   | U-25 | " | " | V-675 | 122 | 1/2 | 2900 | 1\"/> <tr> <td>U-26</td> <td>"</td> <td>"</td> <td>V-675</td> <td>122</td> <td>1/2</td> <td>2900</td> <td>1\"/&gt;  <tr> <td>U-27</td> <td>"</td> <td>"</td> <td>V-675</td> <td>122</td> <td>1/2</td> <td>2900</td> <td>1\"/&gt;  <tr> <td>U-28</td> <td>"</td> <td>"</td> <td>V-675</td> <td>122</td> <td>1/2</td> <td>2900</td> <td>1\"/&gt;  <tr> <td>U-29</td> <td>"</td> <td>"</td> <td>V-675</td> <td>122</td> <td>1/2</td> <td>2900</td> <td>1\"/&gt;  <tr> <td>U-30</td> <td>"</td> <td>"</td> <td>V-675</td> <td>122</td> <td>1/2</td> <td>2900</td> <td>1\"/&gt;  <tr> <td>U-31</td> <td>"</td> <td>"</td> <td>V-675</td> <td>122</td> <td>1/2</td> <td>2900</td> <td>1\"/&gt;  <tr> <td>U-32</td> <td>"</td> <td>"</td> <td>V-675</td> <td>122</td> <td>1/2</td> <td>2900</td> <td>1\"/&gt;  <tr> <td>U-33</td> <td>"</td> <td>"</td> <td>V-675</td> <td>122</td> <td>1/2</td> <td>2900</td> <td>1\"/&gt;  <tr> <td>U-34</td> <td>"</td> <td>"</td> <td>V-675</td> <td>122</td> <td>1/2</td> <td>2900</td> <td>1\"/&gt;  <tr> <td>U-35</td> <td>"</td> <td>"</td> <td>V-675</td> <td>122</td> <td>1/2</td> <td>2900</td> <td>1\"/&gt;  <tr> <td>U-36</td> <td>"</td> <td>"</td> <td>V-675</td> <td>122</td> <td>1/2</td> <td>2900</td> <td>1\"/&gt;  <tr> <td>U-37</td> <td>"</td> <td>"</td> <td>V-675</td> <td>122</td> <td>1/2</td> <td>2900</td> <td>1\"/&gt;  <tr> <td>U-38</td> <td>"</td> <td>"</td> <td>V-675</td> <td>122</td> <td>1/2</td> <td>2900</td> <td>1\"/&gt;  <tr> <td>U-39</td> <td>"</td> <td>"</td> <td>V-675</td> <td>122</td> <td>1/2</td> <td>2900</td> <td>1\"/&gt;  <tr> <td>U-40</td> <td>"</td> <td>"</td> <td>V-675</td> <td>122</td> <td>1/2</td> <td>2900</td> <td>1\"/&gt;  <tr> <td>U-41</td> <td>"</td> <td>"</td> <td>V-675</td> <td>122</td> <td>1/2</td> <td>2900</td> <td>1\"/&gt;  <tr> <td>U-42</td> <td>"</td> <td>"</td> <td>V-675</td> <td>122</td> <td>1/2</td> <td>2900</td> <td>1\"/&gt;  <tr> <td>U-43</td> <td>"</td> <td>"</td> <td>V-675</td> <td>122</td> <td>1/2</td> <td>2900</td> <td>1\"/&gt;  <tr> <td>U-44</td> <td>"</td> <td>"</td> <td>V-675</td> <td>122</td> <td>1/2</td> <td>2900</td> <td>1\"/&gt;  <tr> <td>U-45</td> <td>"</td> <td>"</td> <td>V-675</td> <td>122</td> <td>1/2</td> <td>2900</td> <td>1\"/&gt;  <tr> <td>U-46</td> <td>"</td> <td>"</td> <td>V-675</td> <td>122</td> <td>1/2</td> <td>2900</td> <td>1\"/&gt;  <tr> <td>U-47</td> <td>"</td> <td>"</td> <td>V-675</td> <td>122</td> <td>1/2</td> <td>2900</td> <td>1\"/&gt;  <tr> <td>U-48</td> <td>"</td> <td>"</td> <td>V-675</td> <td>122</td> <td>1/2</td> <td>2900</td> <td>1\"/&gt;  <tr> <td>U-49</td> <td>"</td> <td>"</td> <td>V-675</td> <td>122</td> <td>1/2</td> <td>2900</td> <td>1\"/&gt;  <tr> <td>U-50</td> <td>"</td> <td>"</td> <td>V-675</td> <td>122</td> <td>1/2</td> <td>2900</td> <td>1\"/&gt;  </td></tr></td></tr></td></tr></td></tr></td></tr></td></tr></td></tr></td></tr></td></tr></td></tr></td></tr></td></tr></td></tr></td></tr></td></tr></td></tr></td></tr></td></tr></td></tr></td></tr></td></tr></td></tr></td></tr></td></tr></td></tr>   | U-26 | " | " | V-675 | 122 | 1/2 | 2900 | 1\"/> <tr> <td>U-27</td> <td>"</td> <td>"</td> <td>V-675</td> <td>122</td> <td>1/2</td> <td>2900</td> <td>1\"/&gt;  <tr> <td>U-28</td> <td>"</td> <td>"</td> <td>V-675</td> <td>122</td> <td>1/2</td> <td>2900</td> <td>1\"/&gt;  <tr> <td>U-29</td> <td>"</td> <td>"</td> <td>V-675</td> <td>122</td> <td>1/2</td> <td>2900</td> <td>1\"/&gt;  <tr> <td>U-30</td> <td>"</td> <td>"</td> <td>V-675</td> <td>122</td> <td>1/2</td> <td>2900</td> <td>1\"/&gt;  <tr> <td>U-31</td> <td>"</td> <td>"</td> <td>V-675</td> <td>122</td> <td>1/2</td> <td>2900</td> <td>1\"/&gt;  <tr> <td>U-32</td> <td>"</td> <td>"</td> <td>V-675</td> <td>122</td> <td>1/2</td> <td>2900</td> <td>1\"/&gt;  <tr> <td>U-33</td> <td>"</td> <td>"</td> <td>V-675</td> <td>122</td> <td>1/2</td> <td>2900</td> <td>1\"/&gt;  <tr> <td>U-34</td> <td>"</td> <td>"</td> <td>V-675</td> <td>122</td> <td>1/2</td> <td>2900</td> <td>1\"/&gt;  <tr> <td>U-35</td> <td>"</td>
<td>"</td> <td>V-675</td> <td>122</td> <td>1/2</td> <td>2900</td> <td>1\"/&gt;  <tr> <td>U-36</td> <td>"</td> <td>"</td> <td>V-675</td> <td>122</td> <td>1/2</td> <td>2900</td> <td>1\"/&gt;  <tr> <td>U-37</td> <td>"</td> <td>"</td> <td>V-675</td> <td>122</td> <td>1/2</td> <td>2900</td> <td>1\"/&gt;  <tr> <td>U-38</td> <td>"</td> <td>"</td> <td>V-675</td> <td>122</td> <td>1/2</td> <td>2900</td> <td>1\"/&gt;  <tr> <td>U-39</td> <td>"</td> <td>"</td> <td>V-675</td> <td>122</td> <td>1/2</td> <td>2900</td> <td>1\"/&gt;  <tr> <td>U-40</td> <td>"</td> <td>"</td> <td>V-675</td> <td>122</td> <td>1/2</td> <td>2900</td> <td>1\"/&gt;  <tr> <td>U-41</td> <td>"</td> <td>"</td> <td>V-675</td> <td>122</td> <td>1/2</td> <td>2900</td> <td>1\"/&gt;  <tr> <td>U-42</td> <td>"</td> <td>"</td> <td>V-675</td> <td>122</td> <td>1/2</td> <td>2900</td> <td>1\"/&gt;  <tr> <td>U-43</td> <td>"</td> <td>"</td> <td>V-675</td> <td>122</td> <td>1/2</td> <td>2900</td> <td>1\"/&gt;  <tr> <td>U-44</td> <td>"</td> <td>"</td> <td>V-675</td> <td>122</td> <td>1/2</td> <td>2900</td> <td>1\"/&gt;  <tr> <td>U-45</td> <td>"</td> <td>"</td> <td>V-675</td> <td>122</td> <td>1/2</td> <td>2900</td> <td>1\"/&gt;  <tr> <td>U-46</td> <td>"</td> <td>"</td> <td>V-675</td> <td>122</td> <td>1/2</td> <td>2900</td> <td>1\"/&gt;  <tr> <td>U-47</td> <td>"</td> <td>"</td> <td>V-675</td> <td>122</td> <td>1/2</td> <td>2900</td> <td>1\"/&gt;  <tr> <td>U-48</td> <td>"</td> <td>"</td> <td>V-675</td> <td>122</td> <td>1/2</td> <td>2900</td> <td>1\"/&gt;  <tr> <td>U-49</td> <td>"</td> <td>"</td> <td>V-675</td> <td>122</td> <td>1/2</td> <td>2900</td> <td>1\"/&gt;  <tr> <td>U-50</td> <td>"</td> <td>"</td> <td>V-675</td> <td>122</td> <td>1/2</td> <td>2900</td> <td>1\"/&gt;  </td></tr></td></tr></td></tr></td></tr></td></tr></td></tr></td></tr></td></tr></td></tr></td></tr></td></tr></td></tr></td></tr></td></tr></td></tr></td></tr></td></tr></td></tr></td></tr></td></tr></td></tr></td></tr></td></tr></td></tr>   | U-27 | " | " | V-675 | 122 | 1/2 | 2900 | 1\"/> <tr> <td>U-28</td> <td>"</td> <td>"</td> <td>V-675</td> <td>122</td> <td>1/2</td> <td>2900</td> <td>1\"/&gt;  <tr> <td>U-29</td> <td>"</td> <td>"</td> <td>V-675</td> <td>122</td> <td>1/2</td> <td>2900</td> <td>1\"/&gt;  <tr> <td>U-30</td> <td>"</td> <td>"</td> <td>V-675</td> <td>122</td> <td>1/2</td> <td>2900</td> <td>1\"/&gt;  <tr> <td>U-31</td> <td>"</td> <td>"</td> <td>V-675</td> <td>122</td> <td>1/2</td> <td>2900</td> <td>1\"/&gt;  <tr> <td>U-32</td> <td>"</td> <td>"</td> <td>V-675</td> <td>122</td> <td>1/2</td> <td>2900</td> <td>1\"/&gt;  <tr> <td>U-33</td> <td>"</td> <td>"</td> <td>V-675</td> <td>122</td> <td>1/2</td> <td>2900</td> <td>1\"/&gt;  <tr> <td>U-34</td> <td>"</td> <td>"</td> <td>V-675</td> <td>122</td> <td>1/2</td> <td>2900</td> <td>1\"/&gt;  <tr> <td>U-35</td> <td>"</td> <td>"</td> <td>V-675</td> <td>122</td> <td>1/2</td> <td>2900</td> <td>1\"/&gt;  <tr> <td>U-36</td> <td>"</td> <td>"</td> <td>V-675</td> <td>122</td> <td>1/2</td> <td>2900</td> <td>1\"/&gt;  <tr> <td>U-37</td> <td>"</td> <td>"</td> <td>V-675</td> <td>122</td> <td>1/2</td> <td>2900</td> <td>1\"/&gt;  <tr> <td>U-38</td> <td>"</td> <td>"</td> <td>V-675</td> <td>122</td> <td>1/2</td> <td>2900</td> <td>1\"/&gt;  <tr> <td>U-39</td> <td>"</td> <td>"</td> <td>V-675</td> <td>122</td> <td>1/2</td> <td>2900</td> <td>1\"/&gt;  <tr> <td>U-40</td> <td>"</td> <td>"</td> <td>V-675</td> <td>122</td> <td>1/2</td> <td>2900</td> <td>1\"/&gt;  <tr> <td>U-41</td> <td>"</td> <td>"</td> <td>V-675</td> <td>122</td> <td>1/2</td> <td>2900</td> <td>1\"/&gt;  <tr> <td>U-42</td> <td>"</td> <td>"</td> <td>V-675</td> <td>122</td> <td>1/2</td> <td>2900</td> <td>1\"/&gt;  <tr> <td>U-43</td> <td>"</td> <td>"</td> <td>V-675</td> <td>122</td> <td>1/2</td> <td>2900</td> <td>1\"/&gt;  <tr> <td>U-44</td> <td>"</td> <td>"</td> <td>V-675</td> <td>122</td> <td>1/2</td> <td>2900</td> <td>1\"/&gt;  <tr> <td>U-45</td> <td>"</td> <td>"</td> <td>V-675</td> <td>122</td> <td>1/2</td> <td>2900</td> <td>1\"/&gt;  <tr> <td>U-46</td> <td>"</td> <td>"</td> <td>V-675</td> <td>122</td> <td>1/2</td> <td>2900</td> <td>1\"/&gt;  <tr> <td>U-47</td> <td>"</td> <td>"</td> <td>V-675</td> <td>122</td> <td>1/2</td> <td>2900</td> <td>1\"/&gt;  <tr> <td>U-48</td> <td>"</td> <td>"</td> <td>V-675</td> <td>122</td> <td>1/2</td> <td>2900</td> <td>1\"/&gt;  <tr> <td>U-49</td> <td>"</td> <td>"</td> <td>V-675</td> <td>122</td> <td>1/2</td> <td>2900</td> <td>1\"/&gt;  <tr> <td>U-50</td> <td>"</td> <td>"</td> <td>V-675</td> <td>122</td> <td>1/2</td> <td>2900</td> <td>1\"/&gt;  </td></tr></td></tr></td></tr></td></tr></td></tr></td></tr></td></tr></td></tr></td></tr></td></tr></td></tr></td></tr></td></tr></td></tr></td></tr></td></tr></td></tr></td></tr></td></tr></td></tr></td></tr></td></tr></td></tr>   | U-28 | " | " | V-675 | 122 | 1/2 | 2900 | 1\"/> <tr> <td>U-29</td> <td>"</td> <td>"</td> <td>V-675</td> <td>122</td> <td>1/2</td> <td>2900</td> <td>1\"/&gt;  <tr> <td>U-30</td> <td>"</td> <td>"</td> <td>V-675</td> <td>122</td> <td>1/2</td> <td>2900</td> <td>1\"/&gt;  <tr> <td>U-31</td> <td>"</td> <td>"</td> <td>V-675</td> <td>122</td> <td>1/2</td> <td>2900</td> <td>1\"/&gt;  <tr> <td>U-32</td> <td>"</td> <td>"</td> <td>V-675</td> <td>122</td> <td>1/2</td> <td>2900</td> <td>1\"/&gt;  <tr> <td>U-33</td> <td>"</td> <td>"</td> <td>V-675</td> <td>122</td> <td>1/2</td> <td>2900</td> <td>1\"/&gt;  <tr> <td>U-34</td> <td>"</td> <td>"</td> <td>V-675</td> <td>122</td> <td>1/2</td> <td>2900</td> <td>1\"/&gt;  <tr> <td>U-35</td> <td>"</td> <td>"</td> <td>V-675</td> <td>122</td> <td>1/2</td> <td>2900</td> <td>1\"/&gt;  <tr> <td>U-36</td> <td>"</td> <td>"</td> <td>V-675</td> <td>122</td> <td>1/2</td> <td>2900</td> <td>1\"/&gt;  <tr> <td>U-37</td> <td>"</td> <td>"</td> <td>V-675</td> <td>122</td> <td>1/2</td> <td>2900</td> <td>1\"/&gt;  <tr> <td>U-38</td> <td>"</td> <td>"</td> <td>V-675</td> <td>122</td> <td>1/2</td> <td>2900</td> <td>1\"/&gt;  <tr> <td>U-39</td> <td>"</td> <td>"</td> <td>V-675</td> <td>122</td> <td>1/2</td> <td>2900</td> <td>1\"/&gt;  <tr> <td>U-40</td> <td>"</td> <td>"</td> <td>V-675</td> <td>122</td> <td>1/2</td> <td>2900</td> <td>1\"/&gt;  <tr> <td>U-41</td> <td>"</td> <td>"</td> <td>V-675</td> <td>122</td> <td>1/2</td> <td>2900</td> <td>1\"/&gt;  <tr> <td>U-42</td> <td>"</td> <td>"</td> <td>V-675</td> <td>122</td> <td>1/2</td> <td>2900</td> <td>1\"/&gt;  <tr> <td>U-43</td> <td>"</td> <td>"</td> <td>V-675</td> <td>122</td> <td>1/2</td> <td>2900</td> <td>1\"/&gt;  <tr> <td>U-44</td> <td>"</td> <td>"</td> <td>V-675</td> <td>122</td> <td>1/2</td> <td>2900</td> <td>1\"/&gt;  <tr> <td>U-45</td> <td>"</td> <td>"</td> <td>V-675</td> <td>122</td> <td>1/2</td> <td>2900</td> <td>1\"/&gt;  <tr> <td>U-46</td> <td>"</td> <td>"</td> <td>V-675</td> <td>122</td> <td>1/2</td> <td>2900</td> <td>1\"/&gt;  <tr> <td>U-47</td> <td>"</td> <td>"</td> <td>V-675</td> <td>122</td> <td>1/2</td> <td>2900</td> <td>1\"/&gt;  <tr> <td>U-48</td> <td>"</td> <td>"</td> <td>V-675</td> <td>122</td> <td>1/2</td> <td>2900</td> <td>1\"/&gt;  <tr> <td>U-49</td> <td>"</td> <td>"</td> <td>V-675</td> <td>122</td> <td>1/2</td> <td>2900</td> <td>1\"/&gt;  <tr> <td>U-50</td> <td>"</td> <td>"</td> <td>V-675</td> <td>122</td> <td>1/2</td> <td>2900</td> <td>1\"/&gt;  </td></tr></td></tr></td></tr></td></tr></td></tr></td></tr></td></tr></td></tr></td></tr></td></tr></td></tr></td></tr></td></tr></td></tr></td></tr></td></tr></td></tr></td></tr></td></tr></td></tr></td></tr></td></tr>   
   | U-29 | " | " | V-675 | 122 | 1/2 | 2900 | 1\"/> <tr> <td>U-30</td> <td>"</td> <td>"</td> <td>V-675</td> <td>122</td> <td>1/2</td> <td>2900</td> <td>1\"/&gt;  <tr> <td>U-31</td> <td>"</td> <td>"</td> <td>V-675</td> <td>122</td> <td>1/2</td> <td>2900</td> <td>1\"/&gt;  <tr> <td>U-32</td> <td>"</td> <td>"</td> <td>V-675</td> <td>122</td> <td>1/2</td> <td>2900</td> <td>1\"/&gt;  <tr> <td>U-33</td> <td>"</td> <td>"</td> <td>V-675</td> <td>122</td> <td>1/2</td> <td>2900</td> <td>1\"/&gt;  <tr> <td>U-34</td> <td>"</td> <td>"</td> <td>V-675</td> <td>122</td> <td>1/2</td> <td>2900</td> <td>1\"/&gt;  <tr> <td>U-35</td> <td>"</td> <td>"</td> <td>V-675</td> <td>122</td> <td>1/2</td> <td>2900</td> <td>1\"/&gt;  <tr> <td>U-36</td> <td>"</td> <td>"</td> <td>V-675</td> <td>122</td> <td>1/2</td> <td>2900</td> <td>1\"/&gt;  <tr> <td>U-37</td> <td>"</td> <td>"</td> <td>V-675</td> <td>122</td> <td>1/2</td> <td>2900</td> <td>1\"/&gt;  <tr> <td>U-38</td> <td>"</td> <td>"</td> <td>V-675</td> <td>122</td> <td>1/2</td> <td>2900</td> <td>1\"/&gt;  <tr> <td>U-39</td> <td>"</td> <td>"</td> <td>V-675</td> <td>122</td> <td>1/2</td> <td>2900</td> <td>1\"/&gt;  <tr> <td>U-40</td> <td>"</td> <td>"</td> <td>V-675</td> <td>122</td> <td>1/2</td> <td>2900</td> <td>1\"/&gt;  <tr> <td>U-41</td> <td>"</td> <td>"</td> <td>V-675</td> <td>122</td> <td>1/2</td> <td>2900</td> <td>1\"/&gt;  <tr> <td>U-42</td> <td>"</td> <td>"</td> <td>V-675</td> <td>122</td> <td>1/2</td> <td>2900</td> <td>1\"/&gt;  <tr> <td>U-43</td> <td>"</td> <td>"</td> <td>V-675</td> <td>122</td> <td>1/2</td> <td>2900</td> <td>1\"/&gt;  <tr> <td>U-44</td> <td>"</td> <td>"</td> <td>V-675</td> <td>122</td> <td>1/2</td> <td>2900</td> <td>1\"/&gt;  <tr> <td>U-45</td> <td>"</td> <td>"</td> <td>V-675</td> <td>122</td> <td>1/2</td> <td>2900</td> <td>1\"/&gt;  <tr> <td>U-46</td> <td>"</td> <td>"</td> <td>V-675</td> <td>122</td> <td>1/2</td> <td>2900</td> <td>1\"/&gt;  <tr> <td>U-47</td> <td>"</td> <td>"</td> <td>V-675</td> <td>122</td> <td>1/2</td> <td>2900</td> <td>1\"/&gt;  <tr> <td>U-48</td> <td>"</td> <td>"</td> <td>V-675</td> <td>122</td> <td>1/2</td> <td>2900</td> <td>1\"/&gt;  <tr> <td>U-49</td> <td>"</td> <td>"</td> <td>V-675</td> <td>122</td> <td>1/2</td> <td>2900</td> <td>1\"/&gt;  <tr> <td>U-50</td> <td>"</td> <td>"</td> <td>V-675</td> <td>122</td> <td>1/2</td> <td>2900</td> <td>1\"/&gt;  </td></tr></td></tr></td></tr></td></tr></td></tr></td></tr></td></tr></td></tr></td></tr></td></tr></td></tr></td></tr></td></tr></td></tr></td></tr></td></tr></td></tr></td></tr></td></tr></td></tr></td></tr>   | U-30 | " | " | V-675 | 122 | 1/2 | 2900 | 1\"/> <tr> <td>U-31</td> <td>"</td> <td>"</td> <td>V-675</td> <td>122</td> <td>1/2</td> <td>2900</td> <td>1\"/&gt;  <tr> <td>U-32</td> <td>"</td> <td>"</td> <td>V-675</td> <td>122</td> <td>1/2</td> <td>2900</td> <td>1\"/&gt;  <tr> <td>U-33</td> <td>"</td> <td>"</td> <td>V-675</td> <td>122</td> <td>1/2</td> <td>2900</td> <td>1\"/&gt;  <tr> <td>U-34</td> <td>"</td> <td>"</td> <td>V-675</td> <td>122</td> <td>1/2</td> <td>2900</td> <td>1\"/&gt;  <tr> <td>U-35</td> <td>"</td> <td>"</td> <td>V-675</td> <td>122</td> <td>1/2</td> <td>2900</td> <td>1\"/&gt;  <tr> <td>U-36</td> <td>"</td> <td>"</td> <td>V-675</td> <td>122</td> <td>1/2</td> <td>2900</td> <td>1\"/&gt;  <tr> <td>U-37</td> <td>"</td> <td>"</td> <td>V-675</td> <td>122</td> <td>1/2</td> <td>2900</td> <td>1\"/&gt;  <tr> <td>U-38</td> <td>"</td> <td>"</td> <td>V-675</td> <td>122</td> <td>1/2</td> <td>2900</td> <td>1\"/&gt;  <tr> <td>U-39</td> <td>"</td> <td>"</td> <td>V-675</td> <td>122</td> <td>1/2</td> <td>2900</td> <td>1\"/&gt;  <tr> <td>U-40</td> <td>"</td> <td>"</td> <td>V-675</td> <td>122</td> <td>1/2</td> <td>2900</td> <td>1\"/&gt;  <tr> <td>U-41</td> <td>"</td> <td>"</td> <td>V-675</td> <td>122</td> <td>1/2</td> <td>2900</td> <td>1\"/&gt;  <tr> <td>U-42</td> <td>"</td> <td>"</td> <td>V-675</td> <td>122</td> <td>1/2</td> <td>2900</td> <td>1\"/&gt;  <tr> <td>U-43</td> <td>"</td> <td>"</td> <td>V-675</td> <td>122</td> <td>1/2</td> <td>2900</td> <td>1\"/&gt;  <tr> <td>U-44</td> <td>"</td> <td>"</td> <td>V-675</td> <td>122</td> <td>1/2</td> <td>2900</td> <td>1\"/&gt;  <tr> <td>U-45</td> <td>"</td> <td>"</td> <td>V-675</td> <td>122</td> <td>1/2</td> <td>2900</td> <td>1\"/&gt;  <tr> <td>U-46</td> <td>"</td> <td>"</td> <td>V-675</td> <td>122</td> <td>1/2</td> <td>2900</td> <td>1\"/&gt;  <tr> <td>U-47</td> <td>"</td> <td>"</td> <td>V-675</td> <td>122</td> <td>1/2</td> <td>2900</td> <td>1\"/&gt;  <tr> <td>U-48</td> <td>"</td> <td>"</td> <td>V-675</td> <td>122</td> <td>1/2</td> <td>2900</td> <td>1\"/&gt;  <tr> <td>U-49</td> <td>"</td> <td>"</td> <td>V-675</td> <td>122</td> <td>1/2</td> <td>2900</td> <td>1\"/&gt;  <tr> <td>U-50</td> <td>"</td> <td>"</td> <td>V-675</td> <td>122</td> <td>1/2</td> <td>2900</td> <td>1\"/&gt;  </td></tr></td></tr></td></tr></td></tr></td></tr></td></tr></td></tr></td></tr></td></tr></td></tr></td></tr></td></tr></td></tr></td></tr></td></tr></td></tr></td></tr></td></tr></td></tr></td></tr>   | U-31 | " | " | V-675 | 122 | 1/2 | 2900 | 1\"/> <tr> <td>U-32</td> <td>"</td> <td>"</td> <td>V-675</td> <td>122</td> <td>1/2</td> <td>2900</td> <td>1\"/&gt;  <tr> <td>U-33</td> <td>"</td> <td>"</td> <td>V-675</td> <td>122</td> <td>1/2</td> <td>2900</td> <td>1\"/&gt;  <tr> <td>U-34</td> <td>"</td> <td>"</td> <td>V-675</td> <td>122</td> <td>1/2</td> <td>2900</td> <td>1\"/&gt;  <tr> <td>U-35</td> <td>"</td> <td>"</td> <td>V-675</td> <td>122</td> <td>1/2</td> <td>2900</td> <td>1\"/&gt;  <tr> <td>U-36</td> <td>"</td> <td>"</td> <td>V-675</td> <td>122</td> <td>1/2</td> <td>2900</td> <td>1\"/&gt;  <tr> <td>U-37</td> <td>"</td> <td>"</td> <td>V-675</td> <td>122</td> <td>1/2</td> <td>2900</td> <td>1\"/&gt;  <tr> <td>U-38</td> <td>"</td> <td>"</td> <td>V-675</td> <td>122</td> <td>1/2</td> <td>2900</td> <td>1\"/&gt;  <tr> <td>U-39</td> <td>"</td> <td>"</td> <td>V-675</td> <td>122</td> <td>1/2</td> <td>2900</td> <td>1\"/&gt;  <tr> <td>U-40</td> <td>"</td> <td>"</td> <td>V-675</td> <td>122</td> <td>1/2</td> <td>2900</td> <td>1\"/&gt;  <tr> <td>U-41</td> <td>"</td> <td>"</td> <td>V-675</td> <td>122</td> <td>1/2</td> <td>2900</td> <td>1\"/&gt;  <tr> <td>U-42</td> <td>"</td> <td>"</td> <td>V-675</td> <td>122</td> <td>1/2</td> <td>2900</td> <td>1\"/&gt;  <tr> <td>U-43</td> <td>"</td> <td>"</td> <td>V-675</td> <td>122</td> <td>1/2</td> <td>2900</td> <td>1\"/&gt;  <tr> <td>U-44</td> <td>"</td> <td>"</td> <td>V-675</td> <td>122</td> <td>1/2</td> <td>2900</td> <td>1\"/&gt;  <tr> <td>U-45</td> <td>"</td> <td>"</td> <td>V-675</td> <td>122</td> <td>1/2</td> <td>2900</td> <td>1\"/&gt;  <tr> <td>U-46</td> <td>"</td> <td>"</td> <td>V-675</td> <td>122</td> <td>1/2</td> <td>2900</td> <td>1\"/&gt;  <tr> <td>U-47</td> <td>"</td> <td>"</td> <td>V-675</td> <td>122</td> <td>1/2</td> <td>2900</td> <td>1\"/&gt;  <tr> <td>U-48</td> <td>"</td> <td>"</td> <td>V-675</td> <td>122</td> <td>1/2</td> <td>2900</td> <td>1\"/&gt;  <tr> <td>U-49</td> <td>"</td> <td>"</td> <td>V-675</td> <td>122</td> <td>1/2</td> <td>2900</td> <td>1\"/&gt;  <tr> <td>U-50</td> <td>"</td> <td>"</td> <td>V-675</td> <td>122</td> <td>1/2</td> <td>2900</td> <td>1\"/&gt;  </td></tr></td></tr></td></tr></td></tr></td></tr></td></tr></td></tr></td></tr></td></tr></td></tr></td></tr></td></tr></td></tr></td></tr></td></tr></td></tr></td></tr></td></tr></td></tr>  
  | U-32 | " | " | V-675 | 122 | 1/2 | 2900 | 1\"/> <tr> <td>U-33</td> <td>"</td> <td>"</td> <td>V-675</td> <td>122</td> <td>1/2</td> <td>2900</td> <td>1\"/&gt;  <tr> <td>U-34</td> <td>"</td> <td>"</td> <td>V-675</td> <td>122</td> <td>1/2</td> <td>2900</td> <td>1\"/&gt;  <tr> <td>U-35</td> <td>"</td> <td>"</td> <td>V-675</td> <td>122</td> <td>1/2</td> <td>2900</td> <td>1\"/&gt;  <tr> <td>U-36</td> <td>"</td> <td>"</td> <td>V-675</td> <td>122</td> <td>1/2</td> <td>2900</td> <td>1\"/&gt;  <tr> <td>U-37</td> <td>"</td> <td>"</td> <td>V-675</td> <td>122</td> <td>1/2</td> <td>2900</td> <td>1\"/&gt;  <tr> <td>U-38</td> <td>"</td> <td>"</td> <td>V-675</td> <td>122</td> <td>1/2</td> <td>2900</td> <td>1\"/&gt;  <tr> <td>U-39</td> <td>"</td> <td>"</td> <td>V-675</td> <td>122</td> <td>1/2</td> <td>2900</td> <td>1\"/&gt;  <tr> <td>U-40</td> <td>"</td> <td>"</td> <td>V-675</td> <td>122</td> <td>1/2</td> <td>2900</td> <td>1\"/&gt;  <tr> <td>U-41</td> <td>"</td> <td>"</td> <td>V-675</td> <td>122</td> <td>1/2</td> <td>2900</td> <td>1\"/&gt;  <tr> <td>U-42</td> <td>"</td> <td>"</td> <td>V-675</td> <td>122</td> <td>1/2</td> <td>2900</td> <td>1\"/&gt;  <tr> <td>U-43</td> <td>"</td> <td>"</td> <td>V-675</td> <td>122</td> <td>1/2</td> <td>2900</td> <td>1\"/&gt;  <tr> <td>U-44</td> <td>"</td> <td>"</td> <td>V-675</td> <td>122</td> <td>1/2</td> <td>2900</td> <td>1\"/&gt;  <tr> <td>U-45</td> <td>"</td> <td>"</td> <td>V-675</td> <td>122</td> <td>1/2</td> <td>2900</td> <td>1\"/&gt;  <tr> <td>U-46</td> <td>"</td> <td>"</td> <td>V-675</td> <td>122</td> <td>1/2</td> <td>2900</td> <td>1\"/&gt;  <tr> <td>U-47</td> <td>"</td> <td>"</td> <td>V-675</td> <td>122</td> <td>1/2</td> <td>2900</td> <td>1\"/&gt;  <tr> <td>U-48</td> <td>"</td> <td>"</td> <td>V-675</td> <td>122</td> <td>1/2</td> <td>2900</td> <td>1\"/&gt;  <tr> <td>U-49</td> <td>"</td> <td>"</td> <td>V-675</td> <td>122</td> <td>1/2</td> <td>2900</td> <td>1\"/&gt;  <tr> <td>U-50</td> <td>"</td> <td>"</td> <td>V-675</td> <td>122</td> <td>1/2</td> <td>2900</td> <td>1\"/&gt;  </td></tr></td></tr></td></tr></td></tr></td></tr></td></tr></td></tr></td></tr></td></tr></td></tr></td></tr></td></tr></td></tr></td></tr></td></tr></td></tr></td></tr></td></tr>   | U-33 | " | " | V-675 | 122 | 1/2 | 2900 | 1\"/> <tr> <td>U-34</td> <td>"</td> <td>"</td> <td>V-675</td> <td>122</td> <td>1/2</td> <td>2900</td> <td>1\"/&gt;  <tr> <td>U-35</td> <td>"</td> <td>"</td> <td>V-675</td> <td>122</td> <td>1/2</td> <td>2900</td> <td>1\"/&gt;  <tr> <td>U-36</td> <td>"</td> <td>"</td> <td>V-675</td> <td>122</td> <td>1/2</td> <td>2900</td> <td>1\"/&gt;  <tr> <td>U-37</td> <td>"</td> <td>"</td> <td>V-675</td> <td>122</td> <td>1/2</td> <td>2900</td> <td>1\"/&gt;  <tr> <td>U-38</td> <td>"</td> <td>"</td> <td>V-675</td> <td>122</td> <td>1/2</td> <td>2900</td> <td>1\"/&gt;  <tr> <td>U-39</td> <td>"</td> <td>"</td> <td>V-675</td> <td>122</td> <td>1/2</td> <td>2900</td> <td>1\"/&gt;  <tr> <td>U-40</td> <td>"</td> <td>"</td> <td>V-675</td> <td>122</td> <td>1/2</td> <td>2900</td> <td>1\"/&gt;  <tr> <td>U-41</td> <td>"</td> <td>"</td> <td>V-675</td> <td>122</td> <td>1/2</td> <td>2900</td> <td>1\"/&gt;  <tr> <td>U-42</td> <td>"</td> <td>"</td> <td>V-675</td> <td>122</td> <td>1/2</td> <td>2900</td> <td>1\"/&gt;  <tr> <td>U-43</td> <td>"</td> <td>"</td> <td>V-675</td> <td>122</td> <td>1/2</td> <td>2900</td> <td>1\"/&gt;  <tr> <td>U-44</td> <td>"</td> <td>"</td> <td>V-675</td> <td>122</td> <td>1/2</td> <td>2900</td> <td>1\"/&gt;  <tr> <td>U-45</td> <td>"</td> <td>"</td> <td>V-675</td> <td>122</td> <td>1/2</td> <td>2900</td> <td>1\"/&gt;  <tr> <td>U-46</td> <td>"</td> <td>"</td> <td>V-675</td> <td>122</td> <td>1/2</td> <td>2900</td> <td>1\"/&gt;  <tr> <td>U-47</td> <td>"</td> <td>"</td> <td>V-675</td> <td>122</td> <td>1/2</td> <td>2900</td> <td>1\"/&gt;  <tr> <td>U-48</td> <td>"</td> <td>"</td> <td>V-675</td> <td>122</td> <td>1/2</td> <td>2900</td> <td>1\"/&gt;  <tr> <td>U-49</td> <td>"</td> <td>"</td> <td>V-675</td> <td>122</td> <td>1/2</td> <td>2900</td> <td>1\"/&gt;  <tr> <td>U-50</td> <td>"</td> <td>"</td> <td>V-675</td> <td>122</td> <td>1/2</td> <td>2900</td> <td>1\"/&gt;  </td></tr></td></tr></td></tr></td></tr></td></tr></td></tr></td></tr></td></tr></td></tr></td></tr></td></tr></td></tr></td></tr></td></tr></td></tr></td></tr></td></tr>   | U-34 | " | " | V-675 | 122 | 1/2 | 2900 | 1\"/> <tr> <td>U-35</td> <td>"</td> <td>"</td> <td>V-675</td> <td>122</td> <td>1/2</td> <td>2900</td> <td>1\"/&gt;  <tr> <td>U-36</td> <td>"</td> <td>"</td> <td>V-675</td> <td>122</td> <td>1/2</td> <td>2900</td> <td>1\"/&gt;  <tr> <td>U-37</td> <td>"</td> <td>"</td> <td>V-675</td> <td>122</td> <td>1/2</td> <td>2900</td> <td>1\"/&gt;  <tr> <td>U-38</td> <td>"</td> <td>"</td> <td>V-675</td> <td>122</td> <td>1/2</td> <td>2900</td> <td>1\"/&gt;  <tr> <td>U-39</td> <td>"</td> <td>"</td> <td>V-675</td> <td>122</td> <td>1/2</td> <td>2900</td> <td>1\"/&gt;  <tr> <td>U-40</td> <td>"</td> <td>"</td> <td>V-675</td> <td>122</td> <td>1/2</td> <td>2900</td> <td>1\"/&gt;  <tr> <td>U-41</td> <td>"</td> <td>"</td> <td>V-675</td> <td>122</td> <td>1/2</td> <td>2900</td> <td>1\"/&gt;  <tr> <td>U-42</td> <td>"</td> <td>"</td> <td>V-675</td> <td>122</td> <td>1/2</td> <td>2900</td> <td>1\"/&gt;  <tr> <td>U-43</td> <td>"</td> <td>"</td> <td>V-675</td> <td>122</td> <td>1/2</td> <td>2900</td> <td>1\"/&gt;  <tr> <td>U-44</td> <td>"</td> <td>"</td> <td>V-675</td> <td>122</td> <td>1/2</td> <td>2900</td> <td>1\"/&gt;  <tr> <td>U-45</td> <td>"</td> <td>"</td> <td>V-675</td> <td>122</td> <td>1/2</td> <td>2900</td> <td>1\"/&gt;  <tr> <td>U-46</td> <td>"</td> <td>"</td> <td>V-675</td> <td>122</td> <td>1/2</td> <td>2900</td> <td>1\"/&gt;  <tr> <td>U-47</td> <td>"</td> <td>"</td> <td>V-675</td> <td>122</td> <td>1/2</td> <td>2900</td> <td>1\"/&gt;  <tr> <td>U-48</td> <td>"</td> <td>"</td> <td>V-675</td> <td>122</td> <td>1/2</td> <td>2900</td> <td>1\"/&gt;  <tr> <td>U-49</td> <td>"</td> <td>"</td> <td>V-675</td> <td>122</td> <td>1/2</td> <td>2900</td> <td>1\"/&gt;  <tr> <td>U-50</td> <td>"</td> <td>"</td> <td>V-675</td> <td>122</td> <td>1/2</td> <td>2900</td> <td>1\"/&gt;  </td></tr></td></tr></td></tr></td></tr></td></tr></td></tr></td></tr></td></tr></td></tr></td></tr></td></tr></td></tr></td></tr></td></tr></td></tr></td></tr>   | U-35 | " | " | V-675 | 122 | 1/2 | 2900 | 1\"/> <tr> <td>U-36</td> <td>"</td> <td>"</td> <td>V-675</td> <td>122</td> <td>1/2</td> <td>2900</td> <td>1\"/&gt;  <tr> <td>U-37</td> <td>"</td> <td>"</td> <td>V-675</td> <td>122</td> <td>1/2</td> <td>2900</td>
<td>1\"/&gt;  <tr> <td>U-38</td> <td>"</td> <td>"</td> <td>V-675</td> <td>122</td> <td>1/2</td> <td>2900</td> <td>1\"/&gt;  <tr> <td>U-39</td> <td>"</td> <td>"</td> <td>V-675</td> <td>122</td> <td>1/2</td> <td>2900</td> <td>1\"/&gt;  <tr> <td>U-40</td> <td>"</td> <td>"</td> <td>V-675</td> <td>122</td> <td>1/2</td> <td>2900</td> <td>1\"/&gt;  <tr> <td>U-41</td> <td>"</td> <td>"</td> <td>V-675</td> <td>122</td> <td>1/2</td> <td>2900</td> <td>1\"/&gt;  <tr> <td>U-42</td> <td>"</td> <td>"</td> <td>V-675</td> <td>122</td> <td>1/2</td> <td>2900</td> <td>1\"/&gt;  <tr> <td>U-43</td> <td>"</td> <td>"</td> <td>V-675</td> <td>122</td> <td>1/2</td> <td>2900</td> <td>1\"/&gt;  <tr> <td>U-44</td> <td>"</td> <td>"</td> <td>V-675</td> <td>122</td> <td>1/2</td> <td>2900</td> <td>1\"/&gt;  <tr> <td>U-45</td> <td>"</td> <td>"</td> <td>V-675</td> <td>122</td> <td>1/2</td> <td>2900</td> <td>1\"/&gt;  <tr> <td>U-46</td> <td>"</td> <td>"</td> <td>V-675</td> <td>122</td> <td>1/2</td> <td>2900</td> <td>1\"/&gt;  <tr> <td>U-47</td> <td>"</td> <td>"</td> <td>V-675</td> <td>122</td> <td>1/2</td> <td>2900</td> <td>1\"/&gt;  <tr> <td>U-48</td> <td>"</td> <td>"</td> <td>V-675</td> <td>122</td> <td>1/2</td> <td>2900</td> <td>1\"/&gt;  <tr> <td>U-49</td> <td>"</td> <td>"</td> <td>V-675</td> <td>122</td> <td>1/2</td> <td>2900</td> <td>1\"/&gt;  <tr> <td>U-50</td> <td>"</td> <td>"</td> <td>V-675</td> <td>122</td> <td>1/2</td> <td>2900</td> <td>1\"/&gt;  </td></tr></td></tr></td></tr></td></tr></td></tr></td></tr></td></tr></td></tr></td></tr></td></tr></td></tr></td></tr></td></tr></td></tr></td></tr>   | U-36 | " | " | V-675 | 122 | 1/2 | 2900 | 1\"/> <tr> <td>U-37</td> <td>"</td> <td>"</td> <td>V-675</td> <td>122</td> <td>1/2</td> <td>2900</td> <td>1\"/&gt;  <tr> <td>U-38</td> <td>"</td> <td>"</td> <td>V-675</td> <td>122</td> <td>1/2</td> <td>2900</td> <td>1\"/&gt;  <tr> <td>U-39</td> <td>"</td> <td>"</td> <td>V-675</td> <td>122</td> <td>1/2</td> <td>2900</td> <td>1\"/&gt;  <tr> <td>U-40</td> <td>"</td> <td>"</td> <td>V-675</td> <td>122</td> <td>1/2</td> <td>2900</td> <td>1\"/&gt;  <tr> <td>U-41</td> <td>"</td> <td>"</td> <td>V-675</td> <td>122</td> <td>1/2</td> <td>2900</td> <td>1\"/&gt;  <tr> <td>U-42</td> <td>"</td> <td>"</td> <td>V-675</td> <td>122</td> <td>1/2</td> <td>2900</td> <td>1\"/&gt;  <tr> <td>U-43</td> <td>"</td> <td>"</td> <td>V-675</td> <td>122</td> <td>1/2</td> <td>2900</td> <td>1\"/&gt;  <tr> <td>U-44</td> <td>"</td> <td>"</td> <td>V-675</td> <td>122</td> <td>1/2</td> <td>2900</td> <td>1\"/&gt;  <tr> <td>U-45</td> <td>"</td> <td>"</td> <td>V-675</td> <td>122</td> <td>1/2</td> <td>2900</td> <td>1\"/&gt;  <tr> <td>U-46</td> <td>"</td> <td>"</td> <td>V-675</td> <td>122</td> <td>1/2</td> <td>2900</td> <td>1\"/&gt;  <tr> <td>U-47</td> <td>"</td> <td>"</td> <td>V-675</td> <td>122</td> <td>1/2</td> <td>2900</td> <td>1\"/&gt;  <tr> <td>U-48</td> <td>"</td> <td>"</td> <td>V-675</td> <td>122</td> <td>1/2</td> <td>2900</td> <td>1\"/&gt;  <tr> <td>U-49</td> <td>"</td> <td>"</td> <td>V-675</td> <td>122</td> <td>1/2</td> <td>2900</td> <td>1\"/&gt;  <tr> <td>U-50</td> <td>"</td> <td>"</td> <td>V-675</td> <td>122</td> <td>1/2</td> <td>2900</td> <td>1\"/&gt;  </td></tr></td></tr></td></tr></td></tr></td></tr></td></tr></td></tr></td></tr></td></tr></td></tr></td></tr></td></tr></td></tr></td></tr>   | U-37 | " | " | V-675 | 122 | 1/2 | 2900 | 1\"/> <tr> <td>U-38</td> <td>"</td> <td>"</td> <td>V-675</td> <td>122</td> <td>1/2</td> <td>2900</td> <td>1\"/&gt;  <tr> <td>U-39</td> <td>"</td> <td>"</td> <td>V-675</td> <td>122</td> <td>1/2</td> <td>2900</td> <td>1\"/&gt;  <tr> <td>U-40</td> <td>"</td> <td>"</td> <td>V-675</td> <td>122</td> <td>1/2</td> <td>2900</td> <td>1\"/&gt;  <tr> <td>U-41</td> <td>"</td> <td>"</td> <td>V-675</td> <td>122</td> <td>1/2</td> <td>2900</td> <td>1\"/&gt;  <tr> <td>U-42</td> <td>"</td> <td>"</td> <td>V-675</td> <td>122</td> <td>1/2</td> <td>2900</td> <td>1\"/&gt;  <tr> <td>U-43</td> <td>"</td> <td>"</td> <td>V-675</td> <td>122</td> <td>1/2</td> <td>2900</td> <td>1\"/&gt;  <tr> <td>U-44</td> <td>"</td> <td>"</td> <td>V-675</td> <td>122</td> <td>1/2</td> <td>2900</td> <td>1\"/&gt;  <tr> <td>U-45</td> <td>"</td> <td>"</td> <td>V-675</td> <td>122</td> <td>1/2</td> <td>2900</td> <td>1\"/&gt;  <tr> <td>U-46</td> <td>"</td> <td>"</td> <td>V-675</td> <td>122</td> <td>1/2</td> <td>2900</td> <td>1\"/&gt;  <tr> <td>U-47</td> <td>"</td> <td>"</td> <td>V-675</td> <td>122</td> <td>1/2</td> <td>2900</td> <td>1\"/&gt;  <tr> <td>U-48</td> <td>"</td> <td>"</td> <td>V-675</td> <td>122</td> <td>1/2</td> <td>2900</td> <td>1\"/&gt;  <tr> <td>U-49</td> <td>"</td> <td>"</td> <td>V-675</td> <td>122</td> <td>1/2</td> <td>2900</td> <td>1\"/&gt;  <tr> <td>U-50</td> <td>"</td> <td>"</td> <td>V-675</td> <td>122</td> <td>1/2</td> <td>2900</td> <td>1\"/&gt;  </td></tr></td></tr></td></tr></td></tr></td></tr></td></tr></td></tr></td></tr></td></tr></td></tr></td></tr></td></tr></td></tr>   | U-38 | " | " | V-675 | 122 | 1/2 | 2900 | 1\"/> <tr> <td>U-39</td> <td>"</td> <td>"</td> <td>V-675</td> <td>122</td> <td>1/2</td> <td>2900</td> <td>1\"/&gt;  <tr> <td>U-40</td> <td>"</td> <td>"</td> <td>V-675</td> <td>122</td> <td>1/2</td> <td>2900</td> <td>1\"/&gt;  <tr> <td>U-41</td> <td>"</td> <td>"</td> <td>V-675</td> <td>122</td> <td>1/2</td> <td>2900</td> <td>1\"/&gt;  <tr> <td>U-42</td> <td>"</td> <td>"</td> <td>V-675</td> <td>122</td> <td>1/2</td> <td>2900</td> <td>1\"/&gt;  <tr> <td>U-43</td> <td>"</td> <td>"</td> <td>V-675</td> <td>122</td> <td>1/2</td> <td>2900</td> <td>1\"/&gt;  <tr> <td>U-44</td> <td>"</td> <td>"</td> <td>V-675</td> <td>122</td> <td>1/2</td> <td>2900</td> <td>1\"/&gt;  <tr> <td>U-45</td> <td>"</td> <td>"</td> <td>V-675</td> <td>122</td> <td>1/2</td> <td>2900</td> <td>1\"/&gt;  <tr> <td>U-46</td> <td>"</td> <td>"</td> <td>V-675</td> <td>122</td> <td>1/2</td> <td>2900</td> <td>1\"/&gt;  <tr> <td>U-47</td> <td>"</td> <td>"</td> <td>V-675</td> <td>122</td> <td>1/2</td> <td>2900</td> <td>1\"/&gt;  <tr> <td>U-48</td> <td>"</td> <td>"</td> <td>V-675</td> <td>122</td> <td>1/2</td> <td>2900</td> <td>1\"/&gt;  <tr> <td>U-49</td> <td>"</td> <td>"</td> <td>V-675</td> <td>122</td> <td>1/2</td> <td>2900</td> <td>1\"/&gt;  <tr> <td>U-50</td> <td>"</td> <td>"</td> <td>V-675</td> <td>122</td> <td>1/2</td> <td>2900</td> <td>1\"/&gt;  </td></tr></td></tr></td></tr></td></tr></td></tr></td></tr></td></tr></td></tr></td></tr></td></tr></td></tr></td></tr>  
  | U-39 | " | " | V-675 | 122 | 1/2 | 2900 | 1\"/> <tr> <td>U-40</td> <td>"</td> <td>"</td> <td>V-675</td> <td>122</td> <td>1/2</td> <td>2900</td> <td>1\"/&gt;  <tr> <td>U-41</td> <td>"</td> <td>"</td> <td>V-675</td> <td>122</td> <td>1/2</td> <td>2900</td> <td>1\"/&gt;  <tr> <td>U-42</td> <td>"</td> <td>"</td> <td>V-675</td> <td>122</td> <td>1/2</td> <td>2900</td> <td>1\"/&gt;  <tr> <td>U-43</td> <td>"</td> <td>"</td> <td>V-675</td> <td>122</td> <td>1/2</td> <td>2900</td> <td>1\"/&gt;  <tr> <td>U-44</td> <td>"</td> <td>"</td> <td>V-675</td> <td>122</td> <td>1/2</td> <td>2900</td> <td>1\"/&gt;  <tr> <td>U-45</td> <td>"</td> <td>"</td> <td>V-675</td> <td>122</td> <td>1/2</td> <td>2900</td> <td>1\"/&gt;  <tr> <td>U-46</td> <td>"</td> <td>"</td> <td>V-675</td> <td>122</td> <td>1/2</td> <td>2900</td> <td>1\"/&gt;  <tr> <td>U-47</td> <td>"</td> <td>"</td> <td>V-675</td> <td>122</td> <td>1/2</td> <td>2900</td> <td>1\"/&gt;  <tr> <td>U-48</td> <td>"</td> <td>"</td> <td>V-675</td> <td>122</td> <td>1/2</td> <td>2900</td> <td>1\"/&gt;  <tr> <td>U-49</td> <td>"</td> <td>"</td> <td>V-675</td> <td>122</td> <td>1/2</td> <td>2900</td> <td>1\"/&gt;  <tr> <td>U-50</td> <td>"</td> <td>"</td> <td>V-675</td> <td>122</td> <td>1/2</td> <td>2900</td> <td>1\"/&gt;  </td></tr></td></tr></td></tr></td></tr></td></tr></td></tr></td></tr></td></tr></td></tr></td></tr></td></tr>   | U-40 | " | " | V-675 | 122 | 1/2 | 2900 | 1\"/> <tr> <td>U-41</td> <td>"</td> <td>"</td> <td>V-675</td> <td>122</td> <td>1/2</td> <td>2900</td> <td>1\"/&gt;  <tr> <td>U-42</td> <td>"</td> <td>"</td> <td>V-675</td> <td>122</td> <td>1/2</td> <td>2900</td> <td>1\"/&gt;  <tr> <td>U-43</td> <td>"</td> <td>"</td> <td>V-675</td> <td>122</td> <td>1/2</td> <td>2900</td> <td>1\"/&gt;  <tr> <td>U-44</td> <td>"</td> <td>"</td> <td>V-675</td> <td>122</td> <td>1/2</td> <td>2900</td> <td>1\"/&gt;  <tr> <td>U-45</td> <td>"</td> <td>"</td> <td>V-675</td> <td>122</td> <td>1/2</td> <td>2900</td> <td>1\"/&gt;  <tr> <td>U-46</td> <td>"</td> <td>"</td> <td>V-675</td> <td>122</td> <td>1/2</td> <td>2900</td> <td>1\"/&gt;  <tr> <td>U-47</td> <td>"</td> <td>"</td> <td>V-675</td> <td>122</td> <td>1/2</td> <td>2900</td> <td>1\"/&gt;  <tr> <td>U-48</td> <td>"</td> <td>"</td> <td>V-675</td> <td>122</td> <td>1/2</td> <td>2900</td> <td>1\"/&gt;  <tr> <td>U-49</td> <td>"</td> <td>"</td> <td>V-675</td> <td>122</td> <td>1/2</td> <td>2900</td> <td>1\"/&gt;  <tr> <td>U-50</td> <td>"</td> <td>"</td> <td>V-675</td> <td>122</td> <td>1/2</td> <td>2900</td> <td>1\"/&gt;  </td></tr></td></tr></td></tr></td></tr></td></tr></td></tr></td></tr></td></tr></td></tr></td></tr>   | U-41 | " | " | V-675 | 122 | 1/2 | 2900 | 1\"/> <tr> <td>U-42</td> <td>"</td> <td>"</td> <td>V-675</td> <td>122</td> <td>1/2</td> <td>2900</td> <td>1\"/&gt;  <tr> <td>U-43</td> <td>"</td> <td>"</td> <td>V-675</td> <td>122</td> <td>1/2</td> <td>2900</td> <td>1\"/&gt;  <tr> <td>U-44</td> <td>"</td> <td>"</td> <td>V-675</td> <td>122</td> <td>1/2</td> <td>2900</td> <td>1\"/&gt;  <tr> <td>U-45</td> <td>"</td> <td>"</td> <td>V-675</td> <td>122</td> <td>1/2</td> <td>2900</td> <td>1\"/&gt;  <tr> <td>U-46</td> <td>"</td> <td>"</td> <td>V-675</td> <td>122</td> <td>1/2</td> <td>2900</td> <td>1\"/&gt;  <tr> <td>U-47</td> <td>"</td> <td>"</td> <td>V-675</td> <td>122</td> <td>1/2</td> <td>2900</td> <td>1\"/&gt;  <tr> <td>U-48</td> <td>"</td> <td>"</td> <td>V-675</td> <td>122</td> <td>1/2</td> <td>2900</td> <td>1\"/&gt;  <tr> <td>U-49</td> <td>"</td> <td>"</td> <td>V-675</td> <td>122</td> <td>1/2</td> <td>2900</td> <td>1\"/&gt;  <tr> <td>U-50</td> <td>"</td> <td>"</td> <td>V-675</td> <td>122</td> <td>1/2</td> <td>2900</td> <td>1\"/&gt;  </td></tr></td></tr></td></tr></td></tr></td></tr></td></tr></td></tr></td></tr></td></tr>   | U-42 | " | " | V-675 | 122 | 1/2 | 2900 | 1\"/> <tr> <td>U-43</td> <td>"</td> <td>"</td> <td>V-675</td> <td>122</td> <td>1/2</td> <td>2900</td> <td>1\"/&gt;  <tr> <td>U-44</td> <td>"</td> <td>"</td> <td>V-675</td> <td>122</td> <td>1/2</td> <td>2900</td> <td>1\"/&gt;  <tr> <td>U-45</td> <td>"</td> <td>"</td> <td>V-675</td> <td>122</td> <td>1/2</td> <td>2900</td> <td>1\"/&gt;  <tr> <td>U-46</td> <td>"</td> <td>"</td> <td>V-675</td> <td>122</td> <td>1/2</td> <td>2900</td> <td>1\"/&gt;  <tr> <td>U-47</td> <td>"</td> <td>"</td> <td>V-675</td> <td>122</td> <td>1/2</td> <td>2900</td> <td>1\"/&gt;  <tr> <td>U-48</td> <td>"</td> <td>"</td> <td>V-675</td> <td>122</td> <td>1/2</td> <td>2900</td> <td>1\"/&gt;  <tr> <td>U-49</td> <td>"</td> <td>"</td> <td>V-675</td> <td>122</td> <td>1/2</td> <td>2900</td> <td>1\"/&gt;  <tr> <td>U-50</td> <td>"</td> <td>"</td> <td>V-675</td> <td>122</td> <td>1/2</td> <td>2900</td> <td>1\"/&gt;  </td></tr></td></tr></td></tr></td></tr></td></tr></td></tr></td></tr></td></tr>   | U-43 | " | " | V-675 | 122 | 1/2 | 2900 | 1\"/> <tr> <td>U-44</td> <td>"</td> <td>"</td> <td>V-675</td> <td>122</td> <td>1/2</td> <td>2900</td> <td>1\"/&gt;  <tr> <td>U-45</td> <td>"</td> <td>"</td> <td>V-675</td> <td>122</td> <td>1/2</td> <td>2900</td> <td>1\"/&gt;  <tr> <td>U-46</td> <td>"</td> <td>"</td> <td>V-675</td> <td>122</td> <td>1/2</td> <td>2900</td> <td>1\"/&gt;  <tr> <td>U-47</td> <td>"</td> <td>"</td> <td>V-675</td> <td>122</td> <td>1/2</td> <td>2900</td> <td>1\"/&gt;  <tr> <td>U-48</td> <td>"</td> <td>"</td> <td>V-675</td> <td>122</td> <td>1/2</td> <td>2900</td> <td>1\"/&gt;  <tr> <td>U-49</td> <td>"</td> <td>"</td> <td>V-675</td> <td>122</td> <td>1/2</td> <td>2900</td> <td>1\"/&gt;  <tr> <td>U-50</td> <td>"</td> <td>"</td> <td>V-675</td> <td>122</td> <td>1/2</td> <td>2900</td> <td>1\"/&gt;  </td></tr></td></tr></td></tr></td></tr></td></tr></td></tr></td></tr>   
   | U-44 | " | " | V-675 | 122 | 1/2 | 2900 | 1\"/> <tr> <td>U-45</td> <td>"</td> <td>"</td> <td>V-675</td> <td>122</td> <td>1/2</td> <td>2900</td> <td>1\"/&gt;  <tr> <td>U-46</td> <td>"</td> <td>"</td> <td>V-675</td> <td>122</td> <td>1/2</td> <td>2900</td> <td>1\"/&gt;  <tr> <td>U-47</td> <td>"</td> <td>"</td> <td>V-675</td> <td>122</td> <td>1/2</td> <td>2900</td> <td>1\"/&gt;  <tr> <td>U-48</td> <td>"</td> <td>"</td> <td>V-675</td> <td>122</td> <td>1/2</td> <td>2900</td> <td>1\"/&gt;  <tr> <td>U-49</td> <td>"</td> <td>"</td> <td>V-675</td> <td>122</td> <td>1/2</td> <td>2900</td> <td>1\"/&gt;  <tr> <td>U-50</td> <td>"</td> <td>"</td> <td>V-675</td> <td>122</td> <td>1/2</td> <td>2900</td> <td>1\"/&gt;  </td></tr></td></tr></td></tr></td></tr></td></tr></td></tr>   | U-45 | " | " | V-675 | 122 | 1/2 | 2900 | 1\"/> <tr> <td>U-46</td> <td>"</td> <td>"</td> <td>V-675</td> <td>122</td> <td>1/2</td> <td>2900</td> <td>1\"/&gt;  <tr> <td>U-47</td> <td>"</td> <td>"</td> <td>V-675</td> <td>122</td> <td>1/2</td> <td>2900</td> <td>1\"/&gt;  <tr> <td>U-48</td> <td>"</td> <td>"</td> <td>V-675</td> <td>122</td> <td>1/2</td> <td>2900</td> <td>1\"/&gt;  <tr> <td>U-49</td> <td>"</td> <td>"</td> <td>V-675</td> <td>122</td> <td>1/2</td> <td>2900</td> <td>1\"/&gt;  <tr> <td>U-50</td> <td>"</td> <td>"</td> <td>V-675</td> <td>122</td> <td>1/2</td> <td>2900</td> <td>1\"/&gt;  </td></tr></td></tr></td></tr></td></tr></td></tr>   | U-46 | " | " | V-675 | 122 | 1/2 | 2900 | 1\"/> <tr> <td>U-47</td> <td>"</td> <td>"</td> <td>V-675</td> <td>122</td> <td>1/2</td> <td>2900</td> <td>1\"/&gt;  <tr> <td>U-48</td> <td>"</td> <td>"</td> <td>V-675</td> <td>122</td> <td>1/2</td> <td>2900</td> <td>1\"/&gt;  <tr> <td>U-49</td> <td>"</td> <td>"</td> <td>V-675</td> <td>122</td> <td>1/2</td> <td>2900</td> <td>1\"/&gt;  <tr> <td>U-50</td> <td>"</td> <td>"</td> <td>V-675</td> <td>122</td> <td>1/2</td> <td>2900</td> <td>1\"/&gt;  </td></tr></td></tr></td></tr></td></tr>   | U-47 | " | " | V-675 | 122 | 1/2 | 2900 | 1\"/> <tr> <td>U-48</td> <td>"</td> <td>"</td> <td>V-675</td> <td>122</td> <td>1/2</td> <td>2900</td> <td>1\"/&gt;  <tr> <td>U-49</td> <td>"</td> <td>"</td> <td>V-675</td> <td>122</td> <td>1/2</td> <td>2900</td> <td>1\"/&gt;  <tr> <td>U-50</td> <td>"</td> <td>"</td> <td>V-675</td> <td>122</td> <td>1/2</td> <td>2900</td> <td>1\"/&gt;  </td></tr></td></tr></td></tr>   | U-48 | " | " | V-675 | 122 | 1/2 | 2900 | 1\"/> <tr> <td>U-49</td> <td>"</td> <td>"</td> <td>V-675</td> <td>122</td> <td>1/2</td> <td>2900</td> <td>1\"/&gt;  <tr> <td>U-50</td> <td>"</td> <td>"</td> <td>V-675</td> <td>122</td> <td>1/2</td> <td>2900</td> <td>1\"/&gt;  </td></tr></td></tr>   | U-49 | " | " | V-675 | 122 | 1/2 | 2900 | 1\"/> <tr> <td>U-50</td> <td>"</td> <td>"</td> <td>V-675</td> <td>122</td> <td>1/2</td> <td>2900</td> <td>1\"/&gt;  </td></tr>   | U-50 | " | " | V-675 | 122 | 1/2 | 2900 | 1\"/>   
  |      |   |   |       |     |     |      |  |      |   |   |       |     |     |      |  |      |   |   |       |     |     |      |  |      |   |   |       |     |     |      |  |      |   |   |       |     |     |      |  |      |   |   |       |     |     |      |  |      |   |   |       |     |     |      |  |      |   |   |       |     |     |      |       |
| U-4  | "             | "                       | V-675    | 122  | 1/2           | 2900    | 1\"/> <tr> <td>U-5</td> <td>"</td> <td>"</td> <td>V-675</td> <td>122</td> <td>1/2</td> <td>2900</td> <td>1\"/&gt;  <tr> <td>U-6</td> <td>"</td> <td>"</td> <td>V-675</td> <td>122</td> <td>1/2</td> <td>2900</td> <td>1\"/&gt;  <tr> <td>U-7</td> <td>"</td> <td>"</td> <td>V-675</td> <td>122</td> <td>1/2</td> <td>2900</td> <td>1\"/&gt;  <tr> <td>U-8</td> <td>"</td> <td>"</td> <td>V-675</td> <td>122</td> <td>1/2</td> <td>2900</td> <td>1\"/&gt;  <tr> <td>U-9</td> <td>"</td> <td>"</td> <td>V-675</td> <td>122</td> <td>1/2</td> <td>2900</td> <td>1\"/&gt;  <tr> <td>U-10</td> <td>"</td> <td>"</td> <td>V-675</td> <td>122</td> <td>1/2</td> <td>2900</td> <td>1\"/&gt;  <tr> <td>U-11</td> <td>"</td> <td>"</td> <td>V-675</td> <td>122</td> <td>1/2</td> <td>2900</td> <td>1\"/&gt;  <tr> <td>U-12</td> <td>"</td> <td>"</td> <td>V-675</td> <td>122</td> <td>1/2</td> <td>2900</td> <td>1\"/&gt;  <tr> <td>U-13</td> <td>"</td> <td>"</td> <td>V-675</td> <td>122</td> <td>1/2</td> <td>2900</td> <td>1\"/&gt;  <tr> <td>U-14</td> <td>"</td> <td>"</td> <td>V-675</td> <td>122</td> <td>1/2</td> <td>2900</td> <td>1\"/&gt;  <tr> <td>U-15</td> <td>"</td> <td>"</td> <td>V-675</td> <td>122</td> <td>1/2</td> <td>2900</td> <td>1\"/&gt;  <tr> <td>U-16</td> <td>"</td> <td>"</td> <td>V-675</td> <td>122</td> <td>1/2</td> <td>2900</td> <td>1\"/&gt;  <tr> <td>U-17</td> <td>"</td> <td>"</td> <td>V-675</td> <td>122</td> <td>1/2</td> <td>2900</td> <td>1\"/&gt;  <tr> <td>U-18</td> <td>"</td> <td>"</td> <td>V-675</td> <td>122</td> <td>1/2</td> <td>2900</td> <td>1\"/&gt;  <tr> <td>U-19</td> <td>"</td> <td>"</td> <td>V-675</td> <td>122</td> <td>1/2</td> <td>2900</td> <td>1\"/&gt;  <tr> <td>U-20</td> <td>"</td> <td>"</td> <td>V-675</td> <td>122</td> <td>1/2</td> <td>2900</td> <td>1\"/&gt;  <tr> <td>U-21</td> <td>"</td> <td>"</td> <td>V-675</td> <td>122</td> <td>1/2</td> <td>2900</td> <td>1\"/&gt;  <tr> <td>U-22</td> <td>"</td> <td>"</td> <td>V-675</td> <td>122</td> <td>1/2</td> <td>2900</td> <td>1\"/&gt;  <tr> <td>U-23</td> <td>"</td> <td>"</td> <td>V-675</td> <td>122</td> <td>1/2</td> <td>2900</td> <td>1\"/&gt;  <tr> <td>U-24</td> <td>"</td> <td>"</td> <td>V-675</td> <td>122</td> <td>1/2</td> <td>2900</td> <td>1\"/&gt;  <tr> <td>U-25</td> <td>"</td> <td>"</td> <td>V-675</td> <td>122</td> <td>1/2</td> <td>2900</td> <td>1\"/&gt;  <tr> <td>U-26</td> <td>"</td> <td>"</td> <td>V-675</td> <td>122</td> <td>1/2</td> <td>2900</td> <td>1\"/&gt;  <tr> <td>U-27</td> <td>"</td> <td>"</td> <td>V-675</td> <td>122</td> <td>1/2</td> <td>2900</td> <td>1\"/&gt;  <tr> <td>U-28</td> <td>"</td> <td>"</td> <td>V-675</td> <td>122</td> <td>1/2</td> <td>2900</td> <td>1\"/&gt;  <tr> <td>U-29</td> <td>"</td> <td>"</td> <td>V-675</td> <td>122</td> <td>1/2</td> <td>2900</td> <td>1\"/&gt;  <tr> <td>U-30</td> <td>"</td> <td>"</td> <td>V-675</td> <td>122</td> <td>1/2</td> <td>2900</td> <td>1\"/&gt;  <tr> <td>U-31</td> <td>"</td> <td>"</td> <td>V-675</td> <td>122</td> <td>1/2</td> <td>2900</td> <td>1\"/&gt;  <tr> <td>U-32</td> <td>"</td> <td>"</td> <td>V-675</td> <td>122</td> <td>1/2</td> <td>2900</td> <td>1\"/&gt;  <tr> <td>U-33</td> <td>"</td> <td>"</td> <td>V-675</td> <td>122</td> <td>1/2</td> <td>2900</td> <td>1\"/&gt;  <tr> <td>U-34</td> <td>"</td> <td>"</td> <td>V-675</td> <td>122</td> <td>1/2</td> <td>2900</td> <td>1\"/&gt;  <tr> <td>U-35</td> <td>"</td> <td>"</td> <td>V-675</td> <td>122</td> <td>1/2</td> <td>2900</td> <td>1\"/&gt;  <tr> <td>U-36</td> <td>"</td> <td>"</td> <td>V-675</td> <td>122</td> <td>1/2</td> <td>2900</td> <td>1\"/&gt;  <tr> <td>U-37</td> <td>"</td> <td>"</td> <td>V-675</td> <td>122</td> <td>1/2</td> <td>2900</td> <td>1\"/&gt;  <tr> <td>U-38</td> <td>"</td> <td>"</td> <td>V-675</td> <td>122</td> <td>1/2</td> <td>2900</td> <td>1\"/&gt;  <tr> <td>U-39</td> <td>"</td> <td>"</td> <td>V-675</td> <td>122</td> <td>1/2</td> <td>2900</td> <td>1\"/&gt;  <tr> <td>U-40</td> <td>"</td> <td>"</td> <td>V-675</td> <td>122</td> <td>1/2</td> <td>2900</td> <td>1\"/&gt;  <tr> <td>U-41</td> <td>"</td> <td>"</td> <td>V-675</td> <td>122</td> <td>1/2</td> <td>2900</td> <td>1\"/&gt;  <tr> <td>U-42</td> <td>"</td> <td>"</td> <td>V-675</td> <td>122</td> <td>1/2</td> <td>2900</td> <td>1\"/&gt;  <tr> <td>U-43</td> <td>"</td> <td>"</td> <td>V-675</td> <td>122</td> <td>1/2</td> <td>2900</td> <td>1\"/&gt;  <tr> <td>U-44</td> <td>"</td> <td>"</td> <td>V-675</td> <td>122</td> <td>1/2</td> <td>2900</td> <td>1\"/&gt;  <tr> <td>U-45</td> <td>"</td> <td>"</td> <td>V-675</td> <td>122</td> <td>1/2</td> <td>2900</td> <td>1\"/&gt;  <tr> <td>U-46</td> <td>"</td> <td>"</td> <td>V-675</td> <td>122</td> <td>1/2</td> <td>2900</td> <td>1\"/&gt;  <tr> <td>U-47</td> <td>"</td> <td>"</td> <td>V-675</td> <td>122</td> <td>1/2</td> <td>2900</td> <td>1\"/&gt;  <tr> <td>U-48</td> <td>"</td> <td>"</td> <td>V-675</td> <td>122</td> <td>1/2</td> <td>2900</td> <td>1\"/&gt;  <tr> <td>U-49</td> <td>"</td> <td>"</td> <td>V-675</td> <td>122</td> <td>1/2</td> <td>2900</td> <td>1\"/&gt;  <tr> <td>U-50</td> <td>"</td> <td>"</td> <td>V-675</td> <td>122</td> <td>1/2</td> <td>2900</td> <td>1\"/&gt;  </td></tr></td></tr></td></tr></td></tr></td></tr></td></tr></td></tr></td></tr></td></tr></td></tr></td></tr></td></tr></td></tr></td></tr></td></tr></td></tr></td></tr></td></tr></td></tr></td></tr></td></tr></td></tr></td></tr></td></tr></td></tr></td></tr></td></tr></td></tr></td></tr></td></tr></td></tr></td></tr></td></tr></td></tr></td></tr></td></tr></td></tr></td></tr></td></tr></td></tr></td></tr></td></tr></td></tr></td></tr></td></tr></td></tr>   | U-5  | " | " | V-675  | 122  | 1/2 | 2900   | 1\"/> <tr> <td>U-6</td> <td>"</td> <td>"</td> <td>V-675</td> <td>122</td> <td>1/2</td> <td>2900</td> <td>1\"/&gt;  <tr> <td>U-7</td> <td>"</td> <td>"</td> <td>V-675</td> <td>122</td> <td>1/2</td> <td>2900</td> <td>1\"/&gt;  <tr> <td>U-8</td> <td>"</td> <td>"</td> <td>V-675</td> <td>122</td> <td>1/2</td> <td>2900</td> <td>1\"/&gt;  <tr> <td>U-9</td> <td>"</td> <td>"</td> <td>V-675</td> <td>122</td> <td>1/2</td> <td>2900</td> <td>1\"/&gt;  <tr> <td>U-10</td> <td>"</td> <td>"</td> <td>V-675</td> <td>122</td> <td>1/2</td> <td>2900</td> <td>1\"/&gt;  <tr> <td>U-11</td> <td>"</td> <td>"</td> <td>V-675</td> <td>122</td> <td>1/2</td> <td>2900</td> <td>1\"/&gt;  <tr> <td>U-12</td> <td>"</td> <td>"</td> <td>V-675</td> <td>122</td> <td>1/2</td> <td>2900</td> <td>1\"/&gt;  <tr> <td>U-13</td> <td>"</td> <td>"</td> <td>V-675</td> <td>122</td> <td>1/2</td> <td>2900</td> <td>1\"/&gt;  <tr> <td>U-14</td> <td>"</td> <td>"</td> <td>V-675</td> <td>122</td> <td>1/2</td> <td>2900</td> <td>1\"/&gt;  <tr> <td>U-15</td> <td>"</td> <td>"</td> <td>V-675</td> <td>122</td> <td>1/2</td> <td>2900</td> <td>1\"/&gt;  <tr> <td>U-16</td> <td>"</td> <td>"</td> <td>V-675</td> <td>122</td> <td>1/2</td> <td>2900</td> <td>1\"/&gt;  <tr> <td>U-17</td> <td>"</td> <td>"</td> <td>V-675</td> <td>122</td> <td>1/2</td> <td>2900</td> <td>1\"/&gt;  <tr> <td>U-18</td> <td>"</td> <td>"</td> <td>V-675</td> <td>122</td> <td>1/2</td> <td>2900</td> <td>1\"/&gt;  <tr> <td>U-19</td> <td>"</td> <td>"</td> <td>V-675</td> <td>122</td> <td>1/2</td> <td>2900</td> <td>1\"/&gt;  <tr> <td>U-20</td> <td>"</td> <td>"</td> <td>V-675</td> <td>122</td> <td>1/2</td> <td>2900</td> <td>1\"/&gt;  <tr> <td>U-21</td> <td>"</td> <td>"</td> <td>V-675</td> <td>122</td> <td>1/2</td> <td>2900</td> <td>1\"/&gt;  <tr> <td>U-22</td> <td>"</td> <td>"</td> <td>V-675</td> <td>122</td> <td>1/2</td> <td>2900</td> <td>1\"/&gt;  <tr> <td>U-23</td> <td>"</td> <td>"</td> <td>V-675</td> <td>122</td> <td>1/2</td> <td>2900</td> <td>1\"/&gt;  <tr> <td>U-24</td> <td>"</td> <td>"</td> <td>V-675</td> <td>122</td> <td>1/2</td> <td>2900</td> <td>1\"/&gt;  <tr> <td>U-25</td> <td>"</td> <td>"</td> <td>V-675</td> <td>122</td> <td>1/2</td> <td>2900</td> <td>1\"/&gt;  <tr> <td>U-26</td> <td>"</td> <td>"</td> <td>V-675</td> <td>122</td> <td>1/2</td> <td>2900</td> <td>1\"/&gt;  <tr> <td>U-27</td> <td>"</td> <td>"</td> <td>V-675</td> <td>122</td> <td>1/2</td> <td>2900</td> <td>1\"/&gt;  <tr> <td>U-28</td> <td>"</td> <td>"</td> <td>V-675</td> <td>122</td> <td>1/2</td> <td>2900</td> <td>1\"/&gt;  <tr> <td>U-29</td> <td>"</td> <td>"</td> <td>V-675</td> <td>122</td> <td>1/2</td> <td>2900</td> <td>1\"/&gt;  <tr> <td>U-30</td> <td>"</td> <td>"</td> <td>V-675</td> <td>122</td> <td>1/2</td> <td>2900</td> <td>1\"/&gt;  <tr> <td>U-31</td> <td>"</td> <td>"</td> <td>V-675</td> <td>122</td> <td>1/2</td> <td>2900</td> <td>1\"/&gt;  <tr> <td>U-32</td> <td>"</td> <td>"</td> <td>V-675</td> <td>122</td> <td>1/2</td> <td>2900</td> <td>1\"/&gt;  <tr> <td>U-33</td> <td>"</td> <td>"</td> <td>V-675</td> <td>122</td> <td>1/2</td> <td>2900</td> <td>1\"/&gt;  <tr> <td>U-34</td> <td>"</td> <td>"</td> <td>V-675</td> <td>122</td> <td>1/2</td> <td>2900</td> <td>1\"/&gt;  <tr> <td>U-35</td> <td>"</td> <td>"</td> <td>V-675</td> <td>122</td> <td>1/2</td> <td>2900</td> <td>1\"/&gt;  <tr>
<td>U-36</td> <td>"</td> <td>"</td> <td>V-675</td> <td>122</td> <td>1/2</td> <td>2900</td> <td>1\"/&gt;  <tr> <td>U-37</td> <td>"</td> <td>"</td> <td>V-675</td> <td>122</td> <td>1/2</td> <td>2900</td> <td>1\"/&gt;  <tr> <td>U-38</td> <td>"</td> <td>"</td> <td>V-675</td> <td>122</td> <td>1/2</td> <td>2900</td> <td>1\"/&gt;  <tr> <td>U-39</td> <td>"</td> <td>"</td> <td>V-675</td> <td>122</td> <td>1/2</td> <td>2900</td> <td>1\"/&gt;  <tr> <td>U-40</td> <td>"</td> <td>"</td> <td>V-675</td> <td>122</td> <td>1/2</td> <td>2900</td> <td>1\"/&gt;  <tr> <td>U-41</td> <td>"</td> <td>"</td> <td>V-675</td> <td>122</td> <td>1/2</td> <td>2900</td> <td>1\"/&gt;  <tr> <td>U-42</td> <td>"</td> <td>"</td> <td>V-675</td> <td>122</td> <td>1/2</td> <td>2900</td> <td>1\"/&gt;  <tr> <td>U-43</td> <td>"</td> <td>"</td> <td>V-675</td> <td>122</td> <td>1/2</td> <td>2900</td> <td>1\"/&gt;  <tr> <td>U-44</td> <td>"</td> <td>"</td> <td>V-675</td> <td>122</td> <td>1/2</td> <td>2900</td> <td>1\"/&gt;  <tr> <td>U-45</td> <td>"</td> <td>"</td> <td>V-675</td> <td>122</td> <td>1/2</td> <td>2900</td> <td>1\"/&gt;  <tr> <td>U-46</td> <td>"</td> <td>"</td> <td>V-675</td> <td>122</td> <td>1/2</td> <td>2900</td> <td>1\"/&gt;  <tr> <td>U-47</td> <td>"</td> <td>"</td> <td>V-675</td> <td>122</td> <td>1/2</td> <td>2900</td> <td>1\"/&gt;  <tr> <td>U-48</td> <td>"</td> <td>"</td> <td>V-675</td> <td>122</td> <td>1/2</td> <td>2900</td> <td>1\"/&gt;  <tr> <td>U-49</td> <td>"</td> <td>"</td> <td>V-675</td> <td>122</td> <td>1/2</td> <td>2900</td> <td>1\"/&gt;  <tr> <td>U-50</td> <td>"</td> <td>"</td> <td>V-675</td> <td>122</td> <td>1/2</td> <td>2900</td> <td>1\"/&gt;  </td></tr></td></tr></td></tr></td></tr></td></tr></td></tr></td></tr></td></tr></td></tr></td></tr></td></tr></td></tr></td></tr></td></tr></td></tr></td></tr></td></tr></td></tr></td></tr></td></tr></td></tr></td></tr></td></tr></td></tr></td></tr></td></tr></td></tr></td></tr></td></tr></td></tr></td></tr></td></tr></td></tr></td></tr></td></tr></td></tr></td></tr></td></tr></td></tr></td></tr></td></tr></td></tr></td></tr></td></tr></td></tr>   | U-6  | " | " | V-675  | 122 | 1/2 | 2900   | 1\"/> <tr> <td>U-7</td> <td>"</td> <td>"</td> <td>V-675</td> <td>122</td> <td>1/2</td> <td>2900</td> <td>1\"/&gt;  <tr> <td>U-8</td> <td>"</td> <td>"</td> <td>V-675</td> <td>122</td> <td>1/2</td> <td>2900</td> <td>1\"/&gt;  <tr> <td>U-9</td> <td>"</td> <td>"</td> <td>V-675</td> <td>122</td> <td>1/2</td> <td>2900</td> <td>1\"/&gt;  <tr> <td>U-10</td> <td>"</td> <td>"</td> <td>V-675</td> <td>122</td> <td>1/2</td> <td>2900</td> <td>1\"/&gt;  <tr> <td>U-11</td> <td>"</td> <td>"</td> <td>V-675</td> <td>122</td> <td>1/2</td> <td>2900</td> <td>1\"/&gt;  <tr> <td>U-12</td> <td>"</td> <td>"</td> <td>V-675</td> <td>122</td> <td>1/2</td> <td>2900</td> <td>1\"/&gt;  <tr> <td>U-13</td> <td>"</td> <td>"</td> <td>V-675</td> <td>122</td> <td>1/2</td> <td>2900</td> <td>1\"/&gt;  <tr> <td>U-14</td> <td>"</td> <td>"</td> <td>V-675</td> <td>122</td> <td>1/2</td> <td>2900</td> <td>1\"/&gt;  <tr> <td>U-15</td> <td>"</td> <td>"</td> <td>V-675</td> <td>122</td> <td>1/2</td> <td>2900</td> <td>1\"/&gt;  <tr> <td>U-16</td> <td>"</td> <td>"</td> <td>V-675</td> <td>122</td> <td>1/2</td> <td>2900</td> <td>1\"/&gt;  <tr> <td>U-17</td> <td>"</td> <td>"</td> <td>V-675</td> <td>122</td> <td>1/2</td> <td>2900</td> <td>1\"/&gt;  <tr> <td>U-18</td> <td>"</td> <td>"</td> <td>V-675</td> <td>122</td> <td>1/2</td> <td>2900</td> <td>1\"/&gt;  <tr> <td>U-19</td> <td>"</td> <td>"</td> <td>V-675</td> <td>122</td> <td>1/2</td> <td>2900</td> <td>1\"/&gt;  <tr> <td>U-20</td> <td>"</td> <td>"</td> <td>V-675</td> <td>122</td> <td>1/2</td> <td>2900</td> <td>1\"/&gt;  <tr> <td>U-21</td> <td>"</td> <td>"</td> <td>V-675</td> <td>122</td> <td>1/2</td> <td>2900</td> <td>1\"/&gt;  <tr> <td>U-22</td> <td>"</td> <td>"</td> <td>V-675</td> <td>122</td> <td>1/2</td> <td>2900</td> <td>1\"/&gt;  <tr> <td>U-23</td> <td>"</td> <td>"</td> <td>V-675</td> <td>122</td> <td>1/2</td> <td>2900</td> <td>1\"/&gt;  <tr> <td>U-24</td> <td>"</td> <td>"</td> <td>V-675</td> <td>122</td> <td>1/2</td> <td>2900</td> <td>1\"/&gt;  <tr> <td>U-25</td> <td>"</td> <td>"</td> <td>V-675</td> <td>122</td> <td>1/2</td> <td>2900</td> <td>1\"/&gt;  <tr> <td>U-26</td> <td>"</td> <td>"</td> <td>V-675</td> <td>122</td> <td>1/2</td> <td>2900</td> <td>1\"/&gt;  <tr> <td>U-27</td> <td>"</td> <td>"</td> <td>V-675</td> <td>122</td> <td>1/2</td> <td>2900</td> <td>1\"/&gt;  <tr> <td>U-28</td> <td>"</td> <td>"</td> <td>V-675</td> <td>122</td> <td>1/2</td> <td>2900</td> <td>1\"/&gt;  <tr> <td>U-29</td> <td>"</td> <td>"</td> <td>V-675</td> <td>122</td> <td>1/2</td> <td>2900</td> <td>1\"/&gt;  <tr> <td>U-30</td> <td>"</td> <td>"</td> <td>V-675</td> <td>122</td> <td>1/2</td> <td>2900</td> <td>1\"/&gt;  <tr> <td>U-31</td> <td>"</td> <td>"</td> <td>V-675</td> <td>122</td> <td>1/2</td> <td>2900</td> <td>1\"/&gt;  <tr> <td>U-32</td> <td>"</td> <td>"</td> <td>V-675</td> <td>122</td> <td>1/2</td> <td>2900</td> <td>1\"/&gt;  <tr> <td>U-33</td> <td>"</td> <td>"</td> <td>V-675</td> <td>122</td> <td>1/2</td> <td>2900</td> <td>1\"/&gt;  <tr> <td>U-34</td> <td>"</td> <td>"</td> <td>V-675</td> <td>122</td> <td>1/2</td> <td>2900</td> <td>1\"/&gt;  <tr> <td>U-35</td> <td>"</td> <td>"</td> <td>V-675</td> <td>122</td> <td>1/2</td> <td>2900</td> <td>1\"/&gt;  <tr> <td>U-36</td> <td>"</td> <td>"</td> <td>V-675</td> <td>122</td> <td>1/2</td> <td>2900</td> <td>1\"/&gt;  <tr> <td>U-37</td> <td>"</td> <td>"</td> <td>V-675</td> <td>122</td> <td>1/2</td> <td>2900</td> <td>1\"/&gt;  <tr> <td>U-38</td> <td>"</td> <td>"</td> <td>V-675</td> <td>122</td> <td>1/2</td> <td>2900</td> <td>1\"/&gt;  <tr> <td>U-39</td> <td>"</td> <td>"</td> <td>V-675</td> <td>122</td> <td>1/2</td> <td>2900</td> <td>1\"/&gt;  <tr> <td>U-40</td> <td>"</td> <td>"</td> <td>V-675</td> <td>122</td> <td>1/2</td> <td>2900</td> <td>1\"/&gt;  <tr> <td>U-41</td> <td>"</td> <td>"</td> <td>V-675</td> <td>122</td> <td>1/2</td> <td>2900</td> <td>1\"/&gt;  <tr> <td>U-42</td> <td>"</td> <td>"</td> <td>V-675</td> <td>122</td> <td>1/2</td> <td>2900</td> <td>1\"/&gt;  <tr> <td>U-43</td> <td>"</td> <td>"</td> <td>V-675</td> <td>122</td> <td>1/2</td> <td>2900</td> <td>1\"/&gt;  <tr> <td>U-44</td> <td>"</td> <td>"</td> <td>V-675</td> <td>122</td> <td>1/2</td> <td>2900</td> <td>1\"/&gt;  <tr> <td>U-45</td> <td>"</td> <td>"</td> <td>V-675</td> <td>122</td> <td>1/2</td> <td>2900</td> <td>1\"/&gt;  <tr> <td>U-46</td> <td>"</td> <td>"</td> <td>V-675</td> <td>122</td> <td>1/2</td> <td>2900</td> <td>1\"/&gt;  <tr> <td>U-47</td> <td>"</td> <td>"</td> <td>V-675</td> <td>122</td> <td>1/2</td> <td>2900</td> <td>1\"/&gt;  <tr> <td>U-48</td> <td>"</td> <td>"</td> <td>V-675</td> <td>122</td> <td>1/2</td> <td>2900</td> <td>1\"/&gt;  <tr> <td>U-49</td> <td>"</td> <td>"</td> <td>V-675</td> <td>122</td> <td>1/2</td> <td>2900</td> <td>1\"/&gt;  <tr> <td>U-50</td> <td>"</td> <td>"</td> <td>V-675</td> <td>122</td> <td>1/2</td> <td>2900</td> <td>1\"/&gt;  </td></tr></td></tr></td></tr></td></tr></td></tr></td></tr></td></tr></td></tr></td></tr></td></tr></td></tr></td></tr></td></tr></td></tr></td></tr></td></tr></td></tr></td></tr></td></tr></td></tr></td></tr></td></tr></td></tr></td></tr></td></tr></td></tr></td></tr></td></tr></td></tr></td></tr></td></tr></td></tr></td></tr></td></tr></td></tr></td></tr></td></tr></td></tr></td></tr></td></tr></td></tr></td></tr></td></tr></td></tr>  | U-7  | " | " | V-675 | 122 | 1/2 | 2900    | 1\"/> <tr> <td>U-8</td> <td>"</td> <td>"</td> <td>V-675</td> <td>122</td> <td>1/2</td> <td>2900</td> <td>1\"/&gt;  <tr> <td>U-9</td> <td>"</td> <td>"</td> <td>V-675</td> <td>122</td> <td>1/2</td> <td>2900</td> <td>1\"/&gt;  <tr> <td>U-10</td> <td>"</td> <td>"</td> <td>V-675</td> <td>122</td> <td>1/2</td> <td>2900</td> <td>1\"/&gt;  <tr> <td>U-11</td> <td>"</td> <td>"</td> <td>V-675</td> <td>122</td> <td>1/2</td> <td>2900</td> <td>1\"/&gt;  <tr> <td>U-12</td> <td>"</td> <td>"</td> <td>V-675</td> <td>122</td> <td>1/2</td> <td>2900</td> <td>1\"/&gt;  <tr> <td>U-13</td> <td>"</td> <td>"</td> <td>V-675</td> <td>122</td> <td>1/2</td> <td>2900</td> <td>1\"/&gt;  <tr> <td>U-14</td> <td>"</td> <td>"</td> <td>V-675</td> <td>122</td> <td>1/2</td> <td>2900</td> <td>1\"/&gt;  <tr> <td>U-15</td> <td>"</td> <td>"</td> <td>V-675</td> <td>122</td> <td>1/2</td> <td>2900</td> <td>1\"/&gt;  <tr> <td>U-16</td> <td>"</td> <td>"</td> <td>V-675</td> <td>122</td> <td>1/2</td> <td>2900</td> <td>1\"/&gt;  <tr> <td>U-17</td> <td>"</td> <td>"</td> <td>V-675</td> <td>122</td> <td>1/2</td> <td>2900</td> <td>1\"/&gt;  <tr> <td>U-18</td> <td>"</td> <td>"</td> <td>V-675</td> <td>122</td> <td>1/2</td> <td>2900</td> <td>1\"/&gt;  <tr> <td>U-19</td> <td>"</td> <td>"</td> <td>V-675</td> <td>122</td> <td>1/2</td> <td>2900</td> <td>1\"/&gt;  <tr> <td>U-20</td> <td>"</td> <td>"</td> <td>V-675</td> <td>122</td> <td>1/2</td> <td>2900</td> <td>1\"/&gt;  <tr> <td>U-21</td> <td>"</td> <td>"</td> <td>V-675</td> <td>122</td> <td>1/2</td> <td>2900</td> <td>1\"/&gt;  <tr> <td>U-22</td> <td>"</td> <td>"</td> <td>V-675</td> <td>122</td> <td>1/2</td> <td>2900</td> <td>1\"/&gt;  <tr> <td>U-23</td> <td>"</td> <td>"</td> <td>V-675</td> <td>122</td> <td>1/2</td> <td>2900</td> <td>1\"/&gt;  <tr> <td>U-24</td> <td>"</td> <td>"</td>
<td>V-675</td> <td>122</td> <td>1/2</td> <td>2900</td> <td>1\"/&gt;  <tr> <td>U-25</td> <td>"</td> <td>"</td> <td>V-675</td> <td>122</td> <td>1/2</td> <td>2900</td> <td>1\"/&gt;  <tr> <td>U-26</td> <td>"</td> <td>"</td> <td>V-675</td> <td>122</td> <td>1/2</td> <td>2900</td> <td>1\"/&gt;  <tr> <td>U-27</td> <td>"</td> <td>"</td> <td>V-675</td> <td>122</td> <td>1/2</td> <td>2900</td> <td>1\"/&gt;  <tr> <td>U-28</td> <td>"</td> <td>"</td> <td>V-675</td> <td>122</td> <td>1/2</td> <td>2900</td> <td>1\"/&gt;  <tr> <td>U-29</td> <td>"</td> <td>"</td> <td>V-675</td> <td>122</td> <td>1/2</td> <td>2900</td> <td>1\"/&gt;  <tr> <td>U-30</td> <td>"</td> <td>"</td> <td>V-675</td> <td>122</td> <td>1/2</td> <td>2900</td> <td>1\"/&gt;  <tr> <td>U-31</td> <td>"</td> <td>"</td> <td>V-675</td> <td>122</td> <td>1/2</td> <td>2900</td> <td>1\"/&gt;  <tr> <td>U-32</td> <td>"</td> <td>"</td> <td>V-675</td> <td>122</td> <td>1/2</td> <td>2900</td> <td>1\"/&gt;  <tr> <td>U-33</td> <td>"</td> <td>"</td> <td>V-675</td> <td>122</td> <td>1/2</td> <td>2900</td> <td>1\"/&gt;  <tr> <td>U-34</td> <td>"</td> <td>"</td> <td>V-675</td> <td>122</td> <td>1/2</td> <td>2900</td> <td>1\"/&gt;  <tr> <td>U-35</td> <td>"</td> <td>"</td> <td>V-675</td> <td>122</td> <td>1/2</td> <td>2900</td> <td>1\"/&gt;  <tr> <td>U-36</td> <td>"</td> <td>"</td> <td>V-675</td> <td>122</td> <td>1/2</td> <td>2900</td> <td>1\"/&gt;  <tr> <td>U-37</td> <td>"</td> <td>"</td> <td>V-675</td> <td>122</td> <td>1/2</td> <td>2900</td> <td>1\"/&gt;  <tr> <td>U-38</td> <td>"</td> <td>"</td> <td>V-675</td> <td>122</td> <td>1/2</td> <td>2900</td> <td>1\"/&gt;  <tr> <td>U-39</td> <td>"</td> <td>"</td> <td>V-675</td> <td>122</td> <td>1/2</td> <td>2900</td> <td>1\"/&gt;  <tr> <td>U-40</td> <td>"</td> <td>"</td> <td>V-675</td> <td>122</td> <td>1/2</td> <td>2900</td> <td>1\"/&gt;  <tr> <td>U-41</td> <td>"</td> <td>"</td> <td>V-675</td> <td>122</td> <td>1/2</td> <td>2900</td> <td>1\"/&gt;  <tr> <td>U-42</td> <td>"</td> <td>"</td> <td>V-675</td> <td>122</td> <td>1/2</td> <td>2900</td> <td>1\"/&gt;  <tr> <td>U-43</td> <td>"</td> <td>"</td> <td>V-675</td> <td>122</td> <td>1/2</td> <td>2900</td> <td>1\"/&gt;  <tr> <td>U-44</td> <td>"</td> <td>"</td> <td>V-675</td> <td>122</td> <td>1/2</td> <td>2900</td> <td>1\"/&gt;  <tr> <td>U-45</td> <td>"</td> <td>"</td> <td>V-675</td> <td>122</td> <td>1/2</td> <td>2900</td> <td>1\"/&gt;  <tr> <td>U-46</td> <td>"</td> <td>"</td> <td>V-675</td> <td>122</td> <td>1/2</td> <td>2900</td> <td>1\"/&gt;  <tr> <td>U-47</td> <td>"</td> <td>"</td> <td>V-675</td> <td>122</td> <td>1/2</td> <td>2900</td> <td>1\"/&gt;  <tr> <td>U-48</td> <td>"</td> <td>"</td> <td>V-675</td> <td>122</td> <td>1/2</td> <td>2900</td> <td>1\"/&gt;  <tr> <td>U-49</td> <td>"</td> <td>"</td> <td>V-675</td> <td>122</td> <td>1/2</td> <td>2900</td> <td>1\"/&gt;  <tr> <td>U-50</td> <td>"</td> <td>"</td> <td>V-675</td> <td>122</td> <td>1/2</td> <td>2900</td> <td>1\"/&gt;  </td></tr></td></tr></td></tr></td></tr></td></tr></td></tr></td></tr></td></tr></td></tr></td></tr></td></tr></td></tr></td></tr></td></tr></td></tr></td></tr></td></tr></td></tr></td></tr></td></tr></td></tr></td></tr></td></tr></td></tr></td></tr></td></tr></td></tr></td></tr></td></tr></td></tr></td></tr></td></tr></td></tr></td></tr></td></tr></td></tr></td></tr></td></tr></td></tr></td></tr></td></tr></td></tr></td></tr>  | U-8  | " | " | V-675 | 122 | 1/2 | 2900   | 1\"/> <tr> <td>U-9</td> <td>"</td> <td>"</td> <td>V-675</td> <td>122</td> <td>1/2</td> <td>2900</td> <td>1\"/&gt;  <tr> <td>U-10</td> <td>"</td> <td>"</td> <td>V-675</td> <td>122</td> <td>1/2</td> <td>2900</td> <td>1\"/&gt;  <tr> <td>U-11</td> <td>"</td> <td>"</td> <td>V-675</td> <td>122</td> <td>1/2</td> <td>2900</td> <td>1\"/&gt;  <tr> <td>U-12</td> <td>"</td> <td>"</td> <td>V-675</td> <td>122</td> <td>1/2</td> <td>2900</td> <td>1\"/&gt;  <tr> <td>U-13</td> <td>"</td> <td>"</td> <td>V-675</td> <td>122</td> <td>1/2</td> <td>2900</td> <td>1\"/&gt;  <tr> <td>U-14</td> <td>"</td> <td>"</td> <td>V-675</td> <td>122</td> <td>1/2</td> <td>2900</td> <td>1\"/&gt;  <tr> <td>U-15</td> <td>"</td> <td>"</td> <td>V-675</td> <td>122</td> <td>1/2</td> <td>2900</td> <td>1\"/&gt;  <tr> <td>U-16</td> <td>"</td> <td>"</td> <td>V-675</td> <td>122</td> <td>1/2</td> <td>2900</td> <td>1\"/&gt;  <tr> <td>U-17</td> <td>"</td> <td>"</td> <td>V-675</td> <td>122</td> <td>1/2</td> <td>2900</td> <td>1\"/&gt;  <tr> <td>U-18</td> <td>"</td> <td>"</td> <td>V-675</td> <td>122</td> <td>1/2</td> <td>2900</td> <td>1\"/&gt;  <tr> <td>U-19</td> <td>"</td> <td>"</td> <td>V-675</td> <td>122</td> <td>1/2</td> <td>2900</td> <td>1\"/&gt;  <tr> <td>U-20</td> <td>"</td> <td>"</td> <td>V-675</td> <td>122</td> <td>1/2</td> <td>2900</td> <td>1\"/&gt;  <tr> <td>U-21</td> <td>"</td> <td>"</td> <td>V-675</td> <td>122</td> <td>1/2</td> <td>2900</td> <td>1\"/&gt;  <tr> <td>U-22</td> <td>"</td> <td>"</td> <td>V-675</td> <td>122</td> <td>1/2</td> <td>2900</td> <td>1\"/&gt;  <tr> <td>U-23</td> <td>"</td> <td>"</td> <td>V-675</td> <td>122</td> <td>1/2</td> <td>2900</td> <td>1\"/&gt;  <tr> <td>U-24</td> <td>"</td> <td>"</td> <td>V-675</td> <td>122</td> <td>1/2</td> <td>2900</td> <td>1\"/&gt;  <tr> <td>U-25</td> <td>"</td> <td>"</td> <td>V-675</td> <td>122</td> <td>1/2</td> <td>2900</td> <td>1\"/&gt;  <tr> <td>U-26</td> <td>"</td> <td>"</td> <td>V-675</td> <td>122</td> <td>1/2</td> <td>2900</td> <td>1\"/&gt;  <tr> <td>U-27</td> <td>"</td> <td>"</td> <td>V-675</td> <td>122</td> <td>1/2</td> <td>2900</td> <td>1\"/&gt;  <tr> <td>U-28</td> <td>"</td> <td>"</td> <td>V-675</td> <td>122</td> <td>1/2</td> <td>2900</td> <td>1\"/&gt;  <tr> <td>U-29</td> <td>"</td> <td>"</td> <td>V-675</td> <td>122</td> <td>1/2</td> <td>2900</td> <td>1\"/&gt;  <tr> <td>U-30</td> <td>"</td> <td>"</td> <td>V-675</td> <td>122</td> <td>1/2</td> <td>2900</td> <td>1\"/&gt;  <tr> <td>U-31</td> <td>"</td> <td>"</td> <td>V-675</td> <td>122</td> <td>1/2</td> <td>2900</td> <td>1\"/&gt;  <tr> <td>U-32</td> <td>"</td> <td>"</td> <td>V-675</td> <td>122</td> <td>1/2</td> <td>2900</td> <td>1\"/&gt;  <tr> <td>U-33</td> <td>"</td> <td>"</td> <td>V-675</td> <td>122</td> <td>1/2</td> <td>2900</td> <td>1\"/&gt;  <tr> <td>U-34</td> <td>"</td> <td>"</td> <td>V-675</td> <td>122</td> <td>1/2</td> <td>2900</td> <td>1\"/&gt;  <tr> <td>U-35</td> <td>"</td> <td>"</td> <td>V-675</td> <td>122</td> <td>1/2</td> <td>2900</td> <td>1\"/&gt;  <tr> <td>U-36</td> <td>"</td> <td>"</td> <td>V-675</td> <td>122</td> <td>1/2</td> <td>2900</td> <td>1\"/&gt;  <tr> <td>U-37</td> <td>"</td> <td>"</td> <td>V-675</td> <td>122</td> <td>1/2</td> <td>2900</td> <td>1\"/&gt;  <tr> <td>U-38</td> <td>"</td> <td>"</td> <td>V-675</td> <td>122</td> <td>1/2</td> <td>2900</td> <td>1\"/&gt;  <tr> <td>U-39</td> <td>"</td> <td>"</td> <td>V-675</td> <td>122</td> <td>1/2</td> <td>2900</td> <td>1\"/&gt;  <tr> <td>U-40</td> <td>"</td> <td>"</td> <td>V-675</td> <td>122</td> <td>1/2</td> <td>2900</td> <td>1\"/&gt;  <tr> <td>U-41</td> <td>"</td> <td>"</td> <td>V-675</td> <td>122</td> <td>1/2</td> <td>2900</td> <td>1\"/&gt;  <tr> <td>U-42</td> <td>"</td> <td>"</td> <td>V-675</td> <td>122</td> <td>1/2</td> <td>2900</td> <td>1\"/&gt;  <tr> <td>U-43</td> <td>"</td> <td>"</td> <td>V-675</td> <td>122</td> <td>1/2</td> <td>2900</td> <td>1\"/&gt;  <tr> <td>U-44</td> <td>"</td> <td>"</td> <td>V-675</td> <td>122</td> <td>1/2</td> <td>2900</td> <td>1\"/&gt;  <tr> <td>U-45</td> <td>"</td> <td>"</td> <td>V-675</td> <td>122</td> <td>1/2</td> <td>2900</td> <td>1\"/&gt;  <tr> <td>U-46</td> <td>"</td> <td>"</td> <td>V-675</td> <td>122</td> <td>1/2</td> <td>2900</td> <td>1\"/&gt;  <tr> <td>U-47</td> <td>"</td> <td>"</td> <td>V-675</td> <td>122</td> <td>1/2</td> <td>2900</td> <td>1\"/&gt;  <tr> <td>U-48</td> <td>"</td> <td>"</td> <td>V-675</td> <td>122</td> <td>1/2</td> <td>2900</td> <td>1\"/&gt;  <tr> <td>U-49</td> <td>"</td> <td>"</td> <td>V-675</td> <td>122</td> <td>1/2</td> <td>2900</td> <td>1\"/&gt;  <tr> <td>U-50</td> <td>"</td> <td>"</td> <td>V-675</td> <td>122</td> <td>1/2</td> <td>2900</td> <td>1\"/&gt;  </td></tr></td></tr></td></tr></td></tr></td></tr></td></tr></td></tr></td></tr></td></tr></td></tr></td></tr></td></tr></td></tr></td></tr></td></tr></td></tr></td></tr></td></tr></td></tr></td></tr></td></tr></td></tr></td></tr></td></tr></td></tr></td></tr></td></tr></td></tr></td></tr></td></tr></td></tr></td></tr></td></tr></td></tr></td></tr></td></tr></td></tr></td></tr></td></tr></td></tr></td></tr></td></tr>  | U-9  | " | " | V-675 | 122 | 1/2 | 2900    | 1\"/> <tr> <td>U-10</td> <td>"</td> <td>"</td> <td>V-675</td> <td>122</td> <td>1/2</td> <td>2900</td> <td>1\"/&gt;  <tr> <td>U-11</td> <td>"</td> <td>"</td> <td>V-675</td> <td>122</td> <td>1/2</td> <td>2900</td> <td>1\"/&gt;  <tr> <td>U-12</td> <td>"</td> <td>"</td> <td>V-675</td> <td>122</td> <td>1/2</td> <td>2900</td> <td>1\"/&gt;  <tr> <td>U-13</td> <td>"</td> <td>"</td> <td>V-675</td> <td>122</td> <td>1/2</td> <td>2900</td> <td>1\"/&gt;  <tr> <td>U-14</td> <td>"</td> <td>"</td> <td>V-675</td> <td>122</td> <td>1/2</td> <td>2900</td> <td>1\"/&gt;  <tr> <td>U-15</td> <td>"</td> <td>"</td> <td>V-675</td> <td>122</td> <td>1/2</td> <td>2900</td> <td>1\"/&gt;  <tr> <td>U-16</td> <td>"</td> <td>"</td> <td>V-675</td> <td>122</td> <td>1/2</td> <td>2900</td> <td>1\"/&gt;  <tr>
<td>U-17</td> <td>"</td> <td>"</td> <td>V-675</td> <td>122</td> <td>1/2</td> <td>2900</td> <td>1\"/&gt;  <tr> <td>U-18</td> <td>"</td> <td>"</td> <td>V-675</td> <td>122</td> <td>1/2</td> <td>2900</td> <td>1\"/&gt;  <tr> <td>U-19</td> <td>"</td> <td>"</td> <td>V-675</td> <td>122</td> <td>1/2</td> <td>2900</td> <td>1\"/&gt;  <tr> <td>U-20</td> <td>"</td> <td>"</td> <td>V-675</td> <td>122</td> <td>1/2</td> <td>2900</td> <td>1\"/&gt;  <tr> <td>U-21</td> <td>"</td> <td>"</td> <td>V-675</td> <td>122</td> <td>1/2</td> <td>2900</td> <td>1\"/&gt;  <tr> <td>U-22</td> <td>"</td> <td>"</td> <td>V-675</td> <td>122</td> <td>1/2</td> <td>2900</td> <td>1\"/&gt;  <tr> <td>U-23</td> <td>"</td> <td>"</td> <td>V-675</td> <td>122</td> <td>1/2</td> <td>2900</td> <td>1\"/&gt;  <tr> <td>U-24</td> <td>"</td> <td>"</td> <td>V-675</td> <td>122</td> <td>1/2</td> <td>2900</td> <td>1\"/&gt;  <tr> <td>U-25</td> <td>"</td> <td>"</td> <td>V-675</td> <td>122</td> <td>1/2</td> <td>2900</td> <td>1\"/&gt;  <tr> <td>U-26</td> <td>"</td> <td>"</td> <td>V-675</td> <td>122</td> <td>1/2</td> <td>2900</td> <td>1\"/&gt;  <tr> <td>U-27</td> <td>"</td> <td>"</td> <td>V-675</td> <td>122</td> <td>1/2</td> <td>2900</td> <td>1\"/&gt;  <tr> <td>U-28</td> <td>"</td> <td>"</td> <td>V-675</td> <td>122</td> <td>1/2</td> <td>2900</td> <td>1\"/&gt;  <tr> <td>U-29</td> <td>"</td> <td>"</td> <td>V-675</td> <td>122</td> <td>1/2</td> <td>2900</td> <td>1\"/&gt;  <tr> <td>U-30</td> <td>"</td> <td>"</td> <td>V-675</td> <td>122</td> <td>1/2</td> <td>2900</td> <td>1\"/&gt;  <tr> <td>U-31</td> <td>"</td> <td>"</td> <td>V-675</td> <td>122</td> <td>1/2</td> <td>2900</td> <td>1\"/&gt;  <tr> <td>U-32</td> <td>"</td> <td>"</td> <td>V-675</td> <td>122</td> <td>1/2</td> <td>2900</td> <td>1\"/&gt;  <tr> <td>U-33</td> <td>"</td> <td>"</td> <td>V-675</td> <td>122</td> <td>1/2</td> <td>2900</td> <td>1\"/&gt;  <tr> <td>U-34</td> <td>"</td> <td>"</td> <td>V-675</td> <td>122</td> <td>1/2</td> <td>2900</td> <td>1\"/&gt;  <tr> <td>U-35</td> <td>"</td> <td>"</td> <td>V-675</td> <td>122</td> <td>1/2</td> <td>2900</td> <td>1\"/&gt;  <tr> <td>U-36</td> <td>"</td> <td>"</td> <td>V-675</td> <td>122</td> <td>1/2</td> <td>2900</td> <td>1\"/&gt;  <tr> <td>U-37</td> <td>"</td> <td>"</td> <td>V-675</td> <td>122</td> <td>1/2</td> <td>2900</td> <td>1\"/&gt;  <tr> <td>U-38</td> <td>"</td> <td>"</td> <td>V-675</td> <td>122</td> <td>1/2</td> <td>2900</td> <td>1\"/&gt;  <tr> <td>U-39</td> <td>"</td> <td>"</td> <td>V-675</td> <td>122</td> <td>1/2</td> <td>2900</td> <td>1\"/&gt;  <tr> <td>U-40</td> <td>"</td> <td>"</td> <td>V-675</td> <td>122</td> <td>1/2</td> <td>2900</td> <td>1\"/&gt;  <tr> <td>U-41</td> <td>"</td> <td>"</td> <td>V-675</td> <td>122</td> <td>1/2</td> <td>2900</td> <td>1\"/&gt;  <tr> <td>U-42</td> <td>"</td> <td>"</td> <td>V-675</td> <td>122</td> <td>1/2</td> <td>2900</td> <td>1\"/&gt;  <tr> <td>U-43</td> <td>"</td> <td>"</td> <td>V-675</td> <td>122</td> <td>1/2</td> <td>2900</td> <td>1\"/&gt;  <tr> <td>U-44</td> <td>"</td> <td>"</td> <td>V-675</td> <td>122</td> <td>1/2</td> <td>2900</td> <td>1\"/&gt;  <tr> <td>U-45</td> <td>"</td> <td>"</td> <td>V-675</td> <td>122</td> <td>1/2</td> <td>2900</td> <td>1\"/&gt;  <tr> <td>U-46</td> <td>"</td> <td>"</td> <td>V-675</td> <td>122</td> <td>1/2</td> <td>2900</td> <td>1\"/&gt;  <tr> <td>U-47</td> <td>"</td> <td>"</td> <td>V-675</td> <td>122</td> <td>1/2</td> <td>2900</td> <td>1\"/&gt;  <tr> <td>U-48</td> <td>"</td> <td>"</td> <td>V-675</td> <td>122</td> <td>1/2</td> <td>2900</td> <td>1\"/&gt;  <tr> <td>U-49</td> <td>"</td> <td>"</td> <td>V-675</td> <td>122</td> <td>1/2</td> <td>2900</td> <td>1\"/&gt;  <tr> <td>U-50</td> <td>"</td> <td>"</td> <td>V-675</td> <td>122</td> <td>1/2</td> <td>2900</td> <td>1\"/&gt;  </td></tr></td></tr></td></tr></td></tr></td></tr></td></tr></td></tr></td></tr></td></tr></td></tr></td></tr></td></tr></td></tr></td></tr></td></tr></td></tr></td></tr></td></tr></td></tr></td></tr></td></tr></td></tr></td></tr></td></tr></td></tr></td></tr></td></tr></td></tr></td></tr></td></tr></td></tr></td></tr></td></tr></td></tr></td></tr></td></tr></td></tr></td></tr></td></tr></td></tr></td></tr>  | U-10 | "           | "      | V-675  | 122  | 1/2 | 2900 | 1\"/> <tr> <td>U-11</td> <td>"</td> <td>"</td> <td>V-675</td> <td>122</td> <td>1/2</td> <td>2900</td> <td>1\"/&gt;  <tr> <td>U-12</td> <td>"</td> <td>"</td> <td>V-675</td> <td>122</td> <td>1/2</td> <td>2900</td> <td>1\"/&gt;  <tr> <td>U-13</td> <td>"</td> <td>"</td> <td>V-675</td> <td>122</td> <td>1/2</td> <td>2900</td> <td>1\"/&gt;  <tr> <td>U-14</td> <td>"</td> <td>"</td> <td>V-675</td> <td>122</td> <td>1/2</td> <td>2900</td> <td>1\"/&gt;  <tr> <td>U-15</td> <td>"</td> <td>"</td> <td>V-675</td> <td>122</td> <td>1/2</td> <td>2900</td> <td>1\"/&gt;  <tr> <td>U-16</td> <td>"</td> <td>"</td> <td>V-675</td> <td>122</td> <td>1/2</td> <td>2900</td> <td>1\"/&gt;  <tr> <td>U-17</td> <td>"</td> <td>"</td> <td>V-675</td> <td>122</td> <td>1/2</td> <td>2900</td> <td>1\"/&gt;  <tr> <td>U-18</td> <td>"</td> <td>"</td> <td>V-675</td> <td>122</td> <td>1/2</td> <td>2900</td> <td>1\"/&gt;  <tr> <td>U-19</td> <td>"</td> <td>"</td> <td>V-675</td> <td>122</td> <td>1/2</td> <td>2900</td> <td>1\"/&gt;  <tr> <td>U-20</td> <td>"</td> <td>"</td> <td>V-675</td> <td>122</td> <td>1/2</td> <td>2900</td> <td>1\"/&gt;  <tr> <td>U-21</td> <td>"</td> <td>"</td> <td>V-675</td> <td>122</td> <td>1/2</td> <td>2900</td> <td>1\"/&gt;  <tr> <td>U-22</td> <td>"</td> <td>"</td> <td>V-675</td> <td>122</td> <td>1/2</td> <td>2900</td> <td>1\"/&gt;  <tr> <td>U-23</td> <td>"</td> <td>"</td> <td>V-675</td> <td>122</td> <td>1/2</td> <td>2900</td> <td>1\"/&gt;  <tr> <td>U-24</td> <td>"</td> <td>"</td> <td>V-675</td> <td>122</td> <td>1/2</td> <td>2900</td> <td>1\"/&gt;  <tr> <td>U-25</td> <td>"</td> <td>"</td> <td>V-675</td> <td>122</td> <td>1/2</td> <td>2900</td> <td>1\"/&gt;  <tr> <td>U-26</td> <td>"</td> <td>"</td> <td>V-675</td> <td>122</td> <td>1/2</td> <td>2900</td> <td>1\"/&gt;  <tr> <td>U-27</td> <td>"</td> <td>"</td> <td>V-675</td> <td>122</td> <td>1/2</td> <td>2900</td> <td>1\"/&gt;  <tr> <td>U-28</td> <td>"</td> <td>"</td> <td>V-675</td> <td>122</td> <td>1/2</td> <td>2900</td> <td>1\"/&gt;  <tr> <td>U-29</td> <td>"</td> <td>"</td> <td>V-675</td> <td>122</td> <td>1/2</td> <td>2900</td> <td>1\"/&gt;  <tr> <td>U-30</td> <td>"</td> <td>"</td> <td>V-675</td> <td>122</td> <td>1/2</td> <td>2900</td> <td>1\"/&gt;  <tr> <td>U-31</td> <td>"</td> <td>"</td> <td>V-675</td> <td>122</td> <td>1/2</td> <td>2900</td> <td>1\"/&gt;  <tr> <td>U-32</td> <td>"</td> <td>"</td> <td>V-675</td> <td>122</td> <td>1/2</td> <td>2900</td> <td>1\"/&gt;  <tr> <td>U-33</td> <td>"</td> <td>"</td> <td>V-675</td> <td>122</td> <td>1/2</td> <td>2900</td> <td>1\"/&gt;  <tr> <td>U-34</td> <td>"</td> <td>"</td> <td>V-675</td> <td>122</td> <td>1/2</td> <td>2900</td> <td>1\"/&gt;  <tr> <td>U-35</td> <td>"</td> <td>"</td> <td>V-675</td> <td>122</td> <td>1/2</td> <td>2900</td> <td>1\"/&gt;  <tr> <td>U-36</td> <td>"</td> <td>"</td> <td>V-675</td> <td>122</td> <td>1/2</td> <td>2900</td> <td>1\"/&gt;  <tr> <td>U-37</td> <td>"</td> <td>"</td> <td>V-675</td> <td>122</td> <td>1/2</td> <td>2900</td> <td>1\"/&gt;  <tr> <td>U-38</td> <td>"</td> <td>"</td> <td>V-675</td> <td>122</td> <td>1/2</td> <td>2900</td> <td>1\"/&gt;  <tr> <td>U-39</td> <td>"</td> <td>"</td> <td>V-675</td> <td>122</td> <td>1/2</td> <td>2900</td> <td>1\"/&gt;  <tr> <td>U-40</td> <td>"</td> <td>"</td> <td>V-675</td> <td>122</td> <td>1/2</td> <td>2900</td> <td>1\"/&gt;  <tr> <td>U-41</td> <td>"</td> <td>"</td> <td>V-675</td> <td>122</td> <td>1/2</td> <td>2900</td> <td>1\"/&gt;  <tr> <td>U-42</td> <td>"</td> <td>"</td> <td>V-675</td> <td>122</td> <td>1/2</td> <td>2900</td> <td>1\"/&gt;  <tr> <td>U-43</td> <td>"</td> <td>"</td> <td>V-675</td> <td>122</td> <td>1/2</td> <td>2900</td> <td>1\"/&gt;  <tr> <td>U-44</td> <td>"</td> <td>"</td> <td>V-675</td> <td>122</td> <td>1/2</td> <td>2900</td> <td>1\"/&gt;  <tr> <td>U-45</td> <td>"</td> <td>"</td> <td>V-675</td> <td>122</td> <td>1/2</td> <td>2900</td> <td>1\"/&gt;  <tr> <td>U-46</td> <td>"</td> <td>"</td> <td>V-675</td> <td>122</td> <td>1/2</td> <td>2900</td> <td>1\"/&gt;  <tr> <td>U-47</td> <td>"</td> <td>"</td> <td>V-675</td> <td>122</td> <td>1/2</td> <td>2900</td> <td>1\"/&gt;  <tr> <td>U-48</td> <td>"</td> <td>"</td> <td>V-675</td> <td>122</td> <td>1/2</td> <td>2900</td> <td>1\"/&gt;  <tr> <td>U-49</td> <td>"</td> <td>"</td> <td>V-675</td> <td>122</td> <td>1/2</td> <td>2900</td> <td>1\"/&gt;  <tr> <td>U-50</td> <td>"</td> <td>"</td> <td>V-675</td> <td>122</td> <td>1/2</td> <td>2900</td> <td>1\"/&gt;  </td></tr></td></tr></td></tr></td></tr></td></tr></td></tr></td></tr></td></tr></td></tr></td></tr></td></tr></td></tr></td></tr></td></tr></td></tr></td></tr></td></tr></td></tr></td></tr></td></tr></td></tr></td></tr></td></tr></td></tr></td></tr></td></tr></td></tr></td></tr></td></tr></td></tr></td></tr></td></tr></td></tr></td></tr></td></tr></td></tr></td></tr></td></tr></td></tr></td></tr>   
  | U-11 | " | " | V-675  | 122  | 1/2 | 2900 | 1\"/> <tr> <td>U-12</td> <td>"</td> <td>"</td> <td>V-675</td> <td>122</td> <td>1/2</td> <td>2900</td> <td>1\"/&gt;  <tr> <td>U-13</td> <td>"</td> <td>"</td> <td>V-675</td> <td>122</td> <td>1/2</td> <td>2900</td> <td>1\"/&gt;  <tr> <td>U-14</td> <td>"</td> <td>"</td> <td>V-675</td> <td>122</td> <td>1/2</td> <td>2900</td> <td>1\"/&gt;  <tr> <td>U-15</td> <td>"</td> <td>"</td> <td>V-675</td> <td>122</td> <td>1/2</td> <td>2900</td> <td>1\"/&gt;  <tr> <td>U-16</td> <td>"</td> <td>"</td> <td>V-675</td> <td>122</td> <td>1/2</td> <td>2900</td> <td>1\"/&gt;  <tr> <td>U-17</td> <td>"</td> <td>"</td> <td>V-675</td> <td>122</td> <td>1/2</td> <td>2900</td> <td>1\"/&gt;  <tr> <td>U-18</td> <td>"</td> <td>"</td> <td>V-675</td> <td>122</td> <td>1/2</td> <td>2900</td> <td>1\"/&gt;  <tr> <td>U-19</td> <td>"</td> <td>"</td> <td>V-675</td> <td>122</td> <td>1/2</td> <td>2900</td> <td>1\"/&gt;  <tr> <td>U-20</td> <td>"</td> <td>"</td> <td>V-675</td> <td>122</td> <td>1/2</td> <td>2900</td> <td>1\"/&gt;  <tr> <td>U-21</td> <td>"</td> <td>"</td> <td>V-675</td> <td>122</td> <td>1/2</td> <td>2900</td> <td>1\"/&gt;  <tr> <td>U-22</td> <td>"</td> <td>"</td> <td>V-675</td> <td>122</td> <td>1/2</td> <td>2900</td> <td>1\"/&gt;  <tr> <td>U-23</td> <td>"</td> <td>"</td> <td>V-675</td> <td>122</td> <td>1/2</td> <td>2900</td> <td>1\"/&gt;  <tr> <td>U-24</td> <td>"</td> <td>"</td> <td>V-675</td> <td>122</td> <td>1/2</td> <td>2900</td> <td>1\"/&gt;  <tr> <td>U-25</td> <td>"</td> <td>"</td> <td>V-675</td> <td>122</td> <td>1/2</td> <td>2900</td> <td>1\"/&gt;  <tr> <td>U-26</td> <td>"</td> <td>"</td> <td>V-675</td> <td>122</td> <td>1/2</td> <td>2900</td> <td>1\"/&gt;  <tr> <td>U-27</td> <td>"</td> <td>"</td> <td>V-675</td> <td>122</td> <td>1/2</td> <td>2900</td> <td>1\"/&gt;  <tr> <td>U-28</td> <td>"</td> <td>"</td> <td>V-675</td> <td>122</td> <td>1/2</td> <td>2900</td> <td>1\"/&gt;  <tr> <td>U-29</td> <td>"</td> <td>"</td> <td>V-675</td> <td>122</td> <td>1/2</td> <td>2900</td> <td>1\"/&gt;  <tr> <td>U-30</td> <td>"</td> <td>"</td> <td>V-675</td> <td>122</td> <td>1/2</td> <td>2900</td> <td>1\"/&gt;  <tr> <td>U-31</td> <td>"</td> <td>"</td> <td>V-675</td> <td>122</td> <td>1/2</td> <td>2900</td> <td>1\"/&gt;  <tr> <td>U-32</td> <td>"</td> <td>"</td> <td>V-675</td> <td>122</td> <td>1/2</td> <td>2900</td> <td>1\"/&gt;  <tr> <td>U-33</td> <td>"</td> <td>"</td> <td>V-675</td> <td>122</td> <td>1/2</td> <td>2900</td> <td>1\"/&gt;  <tr> <td>U-34</td> <td>"</td> <td>"</td> <td>V-675</td> <td>122</td> <td>1/2</td> <td>2900</td> <td>1\"/&gt;  <tr> <td>U-35</td> <td>"</td> <td>"</td> <td>V-675</td> <td>122</td> <td>1/2</td> <td>2900</td> <td>1\"/&gt;  <tr> <td>U-36</td> <td>"</td> <td>"</td> <td>V-675</td> <td>122</td> <td>1/2</td> <td>2900</td> <td>1\"/&gt;  <tr> <td>U-37</td> <td>"</td> <td>"</td> <td>V-675</td> <td>122</td> <td>1/2</td> <td>2900</td> <td>1\"/&gt;  <tr> <td>U-38</td> <td>"</td> <td>"</td> <td>V-675</td> <td>122</td> <td>1/2</td> <td>2900</td> <td>1\"/&gt;  <tr> <td>U-39</td> <td>"</td> <td>"</td> <td>V-675</td> <td>122</td> <td>1/2</td> <td>2900</td> <td>1\"/&gt;  <tr> <td>U-40</td> <td>"</td> <td>"</td> <td>V-675</td> <td>122</td> <td>1/2</td> <td>2900</td> <td>1\"/&gt;  <tr> <td>U-41</td> <td>"</td> <td>"</td> <td>V-675</td> <td>122</td> <td>1/2</td> <td>2900</td> <td>1\"/&gt;  <tr> <td>U-42</td> <td>"</td> <td>"</td> <td>V-675</td> <td>122</td> <td>1/2</td> <td>2900</td> <td>1\"/&gt;  <tr> <td>U-43</td> <td>"</td> <td>"</td> <td>V-675</td> <td>122</td> <td>1/2</td> <td>2900</td> <td>1\"/&gt;  <tr> <td>U-44</td> <td>"</td> <td>"</td> <td>V-675</td> <td>122</td> <td>1/2</td> <td>2900</td> <td>1\"/&gt;  <tr> <td>U-45</td> <td>"</td> <td>"</td> <td>V-675</td> <td>122</td> <td>1/2</td> <td>2900</td> <td>1\"/&gt;  <tr> <td>U-46</td> <td>"</td> <td>"</td> <td>V-675</td> <td>122</td> <td>1/2</td> <td>2900</td> <td>1\"/&gt;  <tr> <td>U-47</td> <td>"</td> <td>"</td> <td>V-675</td> <td>122</td> <td>1/2</td> <td>2900</td> <td>1\"/&gt;  <tr> <td>U-48</td> <td>"</td> <td>"</td> <td>V-675</td> <td>122</td> <td>1/2</td> <td>2900</td> <td>1\"/&gt;  <tr> <td>U-49</td> <td>"</td> <td>"</td> <td>V-675</td> <td>122</td> <td>1/2</td> <td>2900</td> <td>1\"/&gt;  <tr> <td>U-50</td> <td>"</td> <td>"</td> <td>V-675</td> <td>122</td> <td>1/2</td> <td>2900</td> <td>1\"/&gt;  </td></tr></td></tr></td></tr></td></tr></td></tr></td></tr></td></tr></td></tr></td></tr></td></tr></td></tr></td></tr></td></tr></td></tr></td></tr></td></tr></td></tr></td></tr></td></tr></td></tr></td></tr></td></tr></td></tr></td></tr></td></tr></td></tr></td></tr></td></tr></td></tr></td></tr></td></tr></td></tr></td></tr></td></tr></td></tr></td></tr></td></tr></td></tr></td></tr>   | U-12 | " | " | V-675  | 122 | 1/2 | 2900 | 1\"/> <tr> <td>U-13</td> <td>"</td> <td>"</td> <td>V-675</td> <td>122</td> <td>1/2</td> <td>2900</td> <td>1\"/&gt;  <tr> <td>U-14</td> <td>"</td> <td>"</td> <td>V-675</td> <td>122</td> <td>1/2</td> <td>2900</td> <td>1\"/&gt;  <tr> <td>U-15</td> <td>"</td> <td>"</td> <td>V-675</td> <td>122</td> <td>1/2</td> <td>2900</td> <td>1\"/&gt;  <tr> <td>U-16</td> <td>"</td> <td>"</td> <td>V-675</td> <td>122</td> <td>1/2</td> <td>2900</td> <td>1\"/&gt;  <tr> <td>U-17</td> <td>"</td> <td>"</td> <td>V-675</td> <td>122</td> <td>1/2</td> <td>2900</td> <td>1\"/&gt;  <tr> <td>U-18</td> <td>"</td> <td>"</td> <td>V-675</td> <td>122</td> <td>1/2</td> <td>2900</td> <td>1\"/&gt;  <tr> <td>U-19</td> <td>"</td> <td>"</td> <td>V-675</td> <td>122</td> <td>1/2</td> <td>2900</td> <td>1\"/&gt;  <tr> <td>U-20</td> <td>"</td> <td>"</td> <td>V-675</td> <td>122</td> <td>1/2</td> <td>2900</td> <td>1\"/&gt;  <tr> <td>U-21</td> <td>"</td> <td>"</td> <td>V-675</td> <td>122</td> <td>1/2</td> <td>2900</td> <td>1\"/&gt;  <tr> <td>U-22</td> <td>"</td> <td>"</td> <td>V-675</td> <td>122</td> <td>1/2</td> <td>2900</td> <td>1\"/&gt;  <tr> <td>U-23</td> <td>"</td> <td>"</td> <td>V-675</td> <td>122</td> <td>1/2</td> <td>2900</td> <td>1\"/&gt;  <tr> <td>U-24</td> <td>"</td> <td>"</td> <td>V-675</td> <td>122</td> <td>1/2</td> <td>2900</td> <td>1\"/&gt;  <tr> <td>U-25</td> <td>"</td> <td>"</td> <td>V-675</td> <td>122</td> <td>1/2</td> <td>2900</td> <td>1\"/&gt;  <tr> <td>U-26</td> <td>"</td> <td>"</td> <td>V-675</td> <td>122</td> <td>1/2</td> <td>2900</td> <td>1\"/&gt;  <tr> <td>U-27</td> <td>"</td> <td>"</td> <td>V-675</td> <td>122</td> <td>1/2</td> <td>2900</td> <td>1\"/&gt;  <tr> <td>U-28</td> <td>"</td> <td>"</td> <td>V-675</td> <td>122</td> <td>1/2</td> <td>2900</td> <td>1\"/&gt;  <tr> <td>U-29</td> <td>"</td> <td>"</td> <td>V-675</td> <td>122</td> <td>1/2</td> <td>2900</td> <td>1\"/&gt;  <tr> <td>U-30</td> <td>"</td> <td>"</td> <td>V-675</td> <td>122</td> <td>1/2</td> <td>2900</td> <td>1\"/&gt;  <tr> <td>U-31</td> <td>"</td> <td>"</td> <td>V-675</td> <td>122</td> <td>1/2</td> <td>2900</td> <td>1\"/&gt;  <tr> <td>U-32</td> <td>"</td> <td>"</td> <td>V-675</td> <td>122</td> <td>1/2</td> <td>2900</td> <td>1\"/&gt;  <tr> <td>U-33</td> <td>"</td> <td>"</td> <td>V-675</td> <td>122</td> <td>1/2</td> <td>2900</td> <td>1\"/&gt;  <tr> <td>U-34</td> <td>"</td> <td>"</td> <td>V-675</td> <td>122</td> <td>1/2</td> <td>2900</td> <td>1\"/&gt;  <tr> <td>U-35</td> <td>"</td> <td>"</td> <td>V-675</td> <td>122</td> <td>1/2</td> <td>2900</td> <td>1\"/&gt;  <tr> <td>U-36</td> <td>"</td> <td>"</td> <td>V-675</td> <td>122</td> <td>1/2</td> <td>2900</td> <td>1\"/&gt;  <tr> <td>U-37</td> <td>"</td> <td>"</td> <td>V-675</td> <td>122</td> <td>1/2</td> <td>2900</td> <td>1\"/&gt;  <tr> <td>U-38</td> <td>"</td> <td>"</td> <td>V-675</td> <td>122</td> <td>1/2</td> <td>2900</td> <td>1\"/&gt;  <tr> <td>U-39</td> <td>"</td> <td>"</td> <td>V-675</td> <td>122</td> <td>1/2</td> <td>2900</td> <td>1\"/&gt;  <tr> <td>U-40</td> <td>"</td> <td>"</td> <td>V-675</td> <td>122</td> <td>1/2</td> <td>2900</td> <td>1\"/&gt;  <tr> <td>U-41</td> <td>"</td> <td>"</td> <td>V-675</td> <td>122</td> <td>1/2</td> <td>2900</td> <td>1\"/&gt;  <tr> <td>U-42</td> <td>"</td> <td>"</td> <td>V-675</td> <td>122</td> <td>1/2</td> <td>2900</td> <td>1\"/&gt;  <tr> <td>U-43</td> <td>"</td> <td>"</td> <td>V-675</td> <td>122</td> <td>1/2</td> <td>2900</td> <td>1\"/&gt;  <tr> <td>U-44</td> <td>"</td> <td>"</td> <td>V-675</td> <td>122</td> <td>1/2</td> <td>2900</td> <td>1\"/&gt;  <tr> <td>U-45</td> <td>"</td> <td>"</td> <td>V-675</td> <td>122</td> <td>1/2</td> <td>2900</td> <td>1\"/&gt;  <tr> <td>U-46</td> <td>"</td> <td>"</td> <td>V-675</td>
<td>122</td> <td>1/2</td> <td>2900</td> <td>1\"/&gt;  <tr> <td>U-47</td> <td>"</td> <td>"</td> <td>V-675</td> <td>122</td> <td>1/2</td> <td>2900</td> <td>1\"/&gt;  <tr> <td>U-48</td> <td>"</td> <td>"</td> <td>V-675</td> <td>122</td> <td>1/2</td> <td>2900</td> <td>1\"/&gt;  <tr> <td>U-49</td> <td>"</td> <td>"</td> <td>V-675</td> <td>122</td> <td>1/2</td> <td>2900</td> <td>1\"/&gt;  <tr> <td>U-50</td> <td>"</td> <td>"</td> <td>V-675</td> <td>122</td> <td>1/2</td> <td>2900</td> <td>1\"/&gt;  </td></tr></td></tr></td></tr></td></tr></td></tr></td></tr></td></tr></td></tr></td></tr></td></tr></td></tr></td></tr></td></tr></td></tr></td></tr></td></tr></td></tr></td></tr></td></tr></td></tr></td></tr></td></tr></td></tr></td></tr></td></tr></td></tr></td></tr></td></tr></td></tr></td></tr></td></tr></td></tr></td></tr></td></tr></td></tr></td></tr></td></tr></td></tr>   | U-13 | " | " | V-675 | 122 | 1/2 | 2900 | 1\"/> <tr> <td>U-14</td> <td>"</td> <td>"</td> <td>V-675</td> <td>122</td> <td>1/2</td> <td>2900</td> <td>1\"/&gt;  <tr> <td>U-15</td> <td>"</td> <td>"</td> <td>V-675</td> <td>122</td> <td>1/2</td> <td>2900</td> <td>1\"/&gt;  <tr> <td>U-16</td> <td>"</td> <td>"</td> <td>V-675</td> <td>122</td> <td>1/2</td> <td>2900</td> <td>1\"/&gt;  <tr> <td>U-17</td> <td>"</td> <td>"</td> <td>V-675</td> <td>122</td> <td>1/2</td> <td>2900</td> <td>1\"/&gt;  <tr> <td>U-18</td> <td>"</td> <td>"</td> <td>V-675</td> <td>122</td> <td>1/2</td> <td>2900</td> <td>1\"/&gt;  <tr> <td>U-19</td> <td>"</td> <td>"</td> <td>V-675</td> <td>122</td> <td>1/2</td> <td>2900</td> <td>1\"/&gt;  <tr> <td>U-20</td> <td>"</td> <td>"</td> <td>V-675</td> <td>122</td> <td>1/2</td> <td>2900</td> <td>1\"/&gt;  <tr> <td>U-21</td> <td>"</td> <td>"</td> <td>V-675</td> <td>122</td> <td>1/2</td> <td>2900</td> <td>1\"/&gt;  <tr> <td>U-22</td> <td>"</td> <td>"</td> <td>V-675</td> <td>122</td> <td>1/2</td> <td>2900</td> <td>1\"/&gt;  <tr> <td>U-23</td> <td>"</td> <td>"</td> <td>V-675</td> <td>122</td> <td>1/2</td> <td>2900</td> <td>1\"/&gt;  <tr> <td>U-24</td> <td>"</td> <td>"</td> <td>V-675</td> <td>122</td> <td>1/2</td> <td>2900</td> <td>1\"/&gt;  <tr> <td>U-25</td> <td>"</td> <td>"</td> <td>V-675</td> <td>122</td> <td>1/2</td> <td>2900</td> <td>1\"/&gt;  <tr> <td>U-26</td> <td>"</td> <td>"</td> <td>V-675</td> <td>122</td> <td>1/2</td> <td>2900</td> <td>1\"/&gt;  <tr> <td>U-27</td> <td>"</td> <td>"</td> <td>V-675</td> <td>122</td> <td>1/2</td> <td>2900</td> <td>1\"/&gt;  <tr> <td>U-28</td> <td>"</td> <td>"</td> <td>V-675</td> <td>122</td> <td>1/2</td> <td>2900</td> <td>1\"/&gt;  <tr> <td>U-29</td> <td>"</td> <td>"</td> <td>V-675</td> <td>122</td> <td>1/2</td> <td>2900</td> <td>1\"/&gt;  <tr> <td>U-30</td> <td>"</td> <td>"</td> <td>V-675</td> <td>122</td> <td>1/2</td> <td>2900</td> <td>1\"/&gt;  <tr> <td>U-31</td> <td>"</td> <td>"</td> <td>V-675</td> <td>122</td> <td>1/2</td> <td>2900</td> <td>1\"/&gt;  <tr> <td>U-32</td> <td>"</td> <td>"</td> <td>V-675</td> <td>122</td> <td>1/2</td> <td>2900</td> <td>1\"/&gt;  <tr> <td>U-33</td> <td>"</td> <td>"</td> <td>V-675</td> <td>122</td> <td>1/2</td> <td>2900</td> <td>1\"/&gt;  <tr> <td>U-34</td> <td>"</td> <td>"</td> <td>V-675</td> <td>122</td> <td>1/2</td> <td>2900</td> <td>1\"/&gt;  <tr> <td>U-35</td> <td>"</td> <td>"</td> <td>V-675</td> <td>122</td> <td>1/2</td> <td>2900</td> <td>1\"/&gt;  <tr> <td>U-36</td> <td>"</td> <td>"</td> <td>V-675</td> <td>122</td> <td>1/2</td> <td>2900</td> <td>1\"/&gt;  <tr> <td>U-37</td> <td>"</td> <td>"</td> <td>V-675</td> <td>122</td> <td>1/2</td> <td>2900</td> <td>1\"/&gt;  <tr> <td>U-38</td> <td>"</td> <td>"</td> <td>V-675</td> <td>122</td> <td>1/2</td> <td>2900</td> <td>1\"/&gt;  <tr> <td>U-39</td> <td>"</td> <td>"</td> <td>V-675</td> <td>122</td> <td>1/2</td> <td>2900</td> <td>1\"/&gt;  <tr> <td>U-40</td> <td>"</td> <td>"</td> <td>V-675</td> <td>122</td> <td>1/2</td> <td>2900</td> <td>1\"/&gt;  <tr> <td>U-41</td> <td>"</td> <td>"</td> <td>V-675</td> <td>122</td> <td>1/2</td> <td>2900</td> <td>1\"/&gt;  <tr> <td>U-42</td> <td>"</td> <td>"</td> <td>V-675</td> <td>122</td> <td>1/2</td> <td>2900</td> <td>1\"/&gt;  <tr> <td>U-43</td> <td>"</td> <td>"</td> <td>V-675</td> <td>122</td> <td>1/2</td> <td>2900</td> <td>1\"/&gt;  <tr> <td>U-44</td> <td>"</td> <td>"</td> <td>V-675</td> <td>122</td> <td>1/2</td> <td>2900</td> <td>1\"/&gt;  <tr> <td>U-45</td> <td>"</td> <td>"</td> <td>V-675</td> <td>122</td> <td>1/2</td> <td>2900</td> <td>1\"/&gt;  <tr> <td>U-46</td> <td>"</td> <td>"</td> <td>V-675</td> <td>122</td> <td>1/2</td> <td>2900</td> <td>1\"/&gt;  <tr> <td>U-47</td> <td>"</td> <td>"</td> <td>V-675</td> <td>122</td> <td>1/2</td> <td>2900</td> <td>1\"/&gt;  <tr> <td>U-48</td> <td>"</td> <td>"</td> <td>V-675</td> <td>122</td> <td>1/2</td> <td>2900</td> <td>1\"/&gt;  <tr> <td>U-49</td> <td>"</td> <td>"</td> <td>V-675</td> <td>122</td> <td>1/2</td> <td>2900</td> <td>1\"/&gt;  <tr> <td>U-50</td> <td>"</td> <td>"</td> <td>V-675</td> <td>122</td> <td>1/2</td> <td>2900</td> <td>1\"/&gt;  </td></tr></td></tr></td></tr></td></tr></td></tr></td></tr></td></tr></td></tr></td></tr></td></tr></td></tr></td></tr></td></tr></td></tr></td></tr></td></tr></td></tr></td></tr></td></tr></td></tr></td></tr></td></tr></td></tr></td></tr></td></tr></td></tr></td></tr></td></tr></td></tr></td></tr></td></tr></td></tr></td></tr></td></tr></td></tr></td></tr></td></tr>  | U-14 | " | " | V-675 | 122 | 1/2 | 2900 | 1\"/> <tr> <td>U-15</td> <td>"</td> <td>"</td> <td>V-675</td> <td>122</td> <td>1/2</td> <td>2900</td> <td>1\"/&gt;  <tr> <td>U-16</td> <td>"</td> <td>"</td> <td>V-675</td> <td>122</td> <td>1/2</td> <td>2900</td> <td>1\"/&gt;  <tr> <td>U-17</td> <td>"</td> <td>"</td> <td>V-675</td> <td>122</td> <td>1/2</td> <td>2900</td> <td>1\"/&gt;  <tr> <td>U-18</td> <td>"</td> <td>"</td> <td>V-675</td> <td>122</td> <td>1/2</td> <td>2900</td> <td>1\"/&gt;  <tr> <td>U-19</td> <td>"</td> <td>"</td> <td>V-675</td> <td>122</td> <td>1/2</td> <td>2900</td> <td>1\"/&gt;  <tr> <td>U-20</td> <td>"</td> <td>"</td> <td>V-675</td> <td>122</td> <td>1/2</td> <td>2900</td> <td>1\"/&gt;  <tr> <td>U-21</td> <td>"</td> <td>"</td> <td>V-675</td> <td>122</td> <td>1/2</td> <td>2900</td> <td>1\"/&gt;  <tr> <td>U-22</td> <td>"</td> <td>"</td> <td>V-675</td> <td>122</td> <td>1/2</td> <td>2900</td> <td>1\"/&gt;  <tr> <td>U-23</td> <td>"</td> <td>"</td> <td>V-675</td> <td>122</td> <td>1/2</td> <td>2900</td> <td>1\"/&gt;  <tr> <td>U-24</td> <td>"</td> <td>"</td> <td>V-675</td> <td>122</td> <td>1/2</td> <td>2900</td> <td>1\"/&gt;  <tr> <td>U-25</td> <td>"</td> <td>"</td> <td>V-675</td> <td>122</td> <td>1/2</td> <td>2900</td> <td>1\"/&gt;  <tr> <td>U-26</td> <td>"</td> <td>"</td> <td>V-675</td> <td>122</td> <td>1/2</td> <td>2900</td> <td>1\"/&gt;  <tr> <td>U-27</td> <td>"</td> <td>"</td> <td>V-675</td> <td>122</td> <td>1/2</td> <td>2900</td> <td>1\"/&gt;  <tr> <td>U-28</td> <td>"</td> <td>"</td> <td>V-675</td> <td>122</td> <td>1/2</td> <td>2900</td> <td>1\"/&gt;  <tr> <td>U-29</td> <td>"</td> <td>"</td> <td>V-675</td> <td>122</td> <td>1/2</td> <td>2900</td> <td>1\"/&gt;  <tr> <td>U-30</td> <td>"</td> <td>"</td> <td>V-675</td> <td>122</td> <td>1/2</td> <td>2900</td> <td>1\"/&gt;  <tr> <td>U-31</td> <td>"</td> <td>"</td> <td>V-675</td> <td>122</td> <td>1/2</td> <td>2900</td> <td>1\"/&gt;  <tr> <td>U-32</td> <td>"</td> <td>"</td> <td>V-675</td> <td>122</td> <td>1/2</td> <td>2900</td> <td>1\"/&gt;  <tr> <td>U-33</td> <td>"</td> <td>"</td> <td>V-675</td> <td>122</td> <td>1/2</td> <td>2900</td> <td>1\"/&gt;  <tr> <td>U-34</td> <td>"</td> <td>"</td> <td>V-675</td> <td>122</td> <td>1/2</td> <td>2900</td> <td>1\"/&gt;  <tr> <td>U-35</td> <td>"</td> <td>"</td> <td>V-675</td> <td>122</td> <td>1/2</td> <td>2900</td> <td>1\"/&gt;  <tr> <td>U-36</td> <td>"</td> <td>"</td> <td>V-675</td> <td>122</td> <td>1/2</td> <td>2900</td> <td>1\"/&gt;  <tr>
<td>U-37</td> <td>"</td> <td>"</td> <td>V-675</td> <td>122</td> <td>1/2</td> <td>2900</td> <td>1\"/&gt;  <tr> <td>U-38</td> <td>"</td> <td>"</td> <td>V-675</td> <td>122</td> <td>1/2</td> <td>2900</td> <td>1\"/&gt;  <tr> <td>U-39</td> <td>"</td> <td>"</td> <td>V-675</td> <td>122</td> <td>1/2</td> <td>2900</td> <td>1\"/&gt;  <tr> <td>U-40</td> <td>"</td> <td>"</td> <td>V-675</td> <td>122</td> <td>1/2</td> <td>2900</td> <td>1\"/&gt;  <tr> <td>U-41</td> <td>"</td> <td>"</td> <td>V-675</td> <td>122</td> <td>1/2</td> <td>2900</td> <td>1\"/&gt;  <tr> <td>U-42</td> <td>"</td> <td>"</td> <td>V-675</td> <td>122</td> <td>1/2</td> <td>2900</td> <td>1\"/&gt;  <tr> <td>U-43</td> <td>"</td> <td>"</td> <td>V-675</td> <td>122</td> <td>1/2</td> <td>2900</td> <td>1\"/&gt;  <tr> <td>U-44</td> <td>"</td> <td>"</td> <td>V-675</td> <td>122</td> <td>1/2</td> <td>2900</td> <td>1\"/&gt;  <tr> <td>U-45</td> <td>"</td> <td>"</td> <td>V-675</td> <td>122</td> <td>1/2</td> <td>2900</td> <td>1\"/&gt;  <tr> <td>U-46</td> <td>"</td> <td>"</td> <td>V-675</td> <td>122</td> <td>1/2</td> <td>2900</td> <td>1\"/&gt;  <tr> <td>U-47</td> <td>"</td> <td>"</td> <td>V-675</td> <td>122</td> <td>1/2</td> <td>2900</td> <td>1\"/&gt;  <tr> <td>U-48</td> <td>"</td> <td>"</td> <td>V-675</td> <td>122</td> <td>1/2</td> <td>2900</td> <td>1\"/&gt;  <tr> <td>U-49</td> <td>"</td> <td>"</td> <td>V-675</td> <td>122</td> <td>1/2</td> <td>2900</td> <td>1\"/&gt;  <tr> <td>U-50</td> <td>"</td> <td>"</td> <td>V-675</td> <td>122</td> <td>1/2</td> <td>2900</td> <td>1\"/&gt;  </td></tr></td></tr></td></tr></td></tr></td></tr></td></tr></td></tr></td></tr></td></tr></td></tr></td></tr></td></tr></td></tr></td></tr></td></tr></td></tr></td></tr></td></tr></td></tr></td></tr></td></tr></td></tr></td></tr></td></tr></td></tr></td></tr></td></tr></td></tr></td></tr></td></tr></td></tr></td></tr></td></tr></td></tr></td></tr></td></tr>   | U-15 | " | " | V-675 | 122 | 1/2 | 2900 | 1\"/> <tr> <td>U-16</td> <td>"</td> <td>"</td> <td>V-675</td> <td>122</td> <td>1/2</td> <td>2900</td> <td>1\"/&gt;  <tr> <td>U-17</td> <td>"</td> <td>"</td> <td>V-675</td> <td>122</td> <td>1/2</td> <td>2900</td> <td>1\"/&gt;  <tr> <td>U-18</td> <td>"</td> <td>"</td> <td>V-675</td> <td>122</td> <td>1/2</td> <td>2900</td> <td>1\"/&gt;  <tr> <td>U-19</td> <td>"</td> <td>"</td> <td>V-675</td> <td>122</td> <td>1/2</td> <td>2900</td> <td>1\"/&gt;  <tr> <td>U-20</td> <td>"</td> <td>"</td> <td>V-675</td> <td>122</td> <td>1/2</td> <td>2900</td> <td>1\"/&gt;  <tr> <td>U-21</td> <td>"</td> <td>"</td> <td>V-675</td> <td>122</td> <td>1/2</td> <td>2900</td> <td>1\"/&gt;  <tr> <td>U-22</td> <td>"</td> <td>"</td> <td>V-675</td> <td>122</td> <td>1/2</td> <td>2900</td> <td>1\"/&gt;  <tr> <td>U-23</td> <td>"</td> <td>"</td> <td>V-675</td> <td>122</td> <td>1/2</td> <td>2900</td> <td>1\"/&gt;  <tr> <td>U-24</td> <td>"</td> <td>"</td> <td>V-675</td> <td>122</td> <td>1/2</td> <td>2900</td> <td>1\"/&gt;  <tr> <td>U-25</td> <td>"</td> <td>"</td> <td>V-675</td> <td>122</td> <td>1/2</td> <td>2900</td> <td>1\"/&gt;  <tr> <td>U-26</td> <td>"</td> <td>"</td> <td>V-675</td> <td>122</td> <td>1/2</td> <td>2900</td> <td>1\"/&gt;  <tr> <td>U-27</td> <td>"</td> <td>"</td> <td>V-675</td> <td>122</td> <td>1/2</td> <td>2900</td> <td>1\"/&gt;  <tr> <td>U-28</td> <td>"</td> <td>"</td> <td>V-675</td> <td>122</td> <td>1/2</td> <td>2900</td> <td>1\"/&gt;  <tr> <td>U-29</td> <td>"</td> <td>"</td> <td>V-675</td> <td>122</td> <td>1/2</td> <td>2900</td> <td>1\"/&gt;  <tr> <td>U-30</td> <td>"</td> <td>"</td> <td>V-675</td> <td>122</td> <td>1/2</td> <td>2900</td> <td>1\"/&gt;  <tr> <td>U-31</td> <td>"</td> <td>"</td> <td>V-675</td> <td>122</td> <td>1/2</td> <td>2900</td> <td>1\"/&gt;  <tr> <td>U-32</td> <td>"</td> <td>"</td> <td>V-675</td> <td>122</td> <td>1/2</td> <td>2900</td> <td>1\"/&gt;  <tr> <td>U-33</td> <td>"</td> <td>"</td> <td>V-675</td> <td>122</td> <td>1/2</td> <td>2900</td> <td>1\"/&gt;  <tr> <td>U-34</td> <td>"</td> <td>"</td> <td>V-675</td> <td>122</td> <td>1/2</td> <td>2900</td> <td>1\"/&gt;  <tr> <td>U-35</td> <td>"</td> <td>"</td> <td>V-675</td> <td>122</td> <td>1/2</td> <td>2900</td> <td>1\"/&gt;  <tr> <td>U-36</td> <td>"</td> <td>"</td> <td>V-675</td> <td>122</td> <td>1/2</td> <td>2900</td> <td>1\"/&gt;  <tr> <td>U-37</td> <td>"</td> <td>"</td> <td>V-675</td> <td>122</td> <td>1/2</td> <td>2900</td> <td>1\"/&gt;  <tr> <td>U-38</td> <td>"</td> <td>"</td> <td>V-675</td> <td>122</td> <td>1/2</td> <td>2900</td> <td>1\"/&gt;  <tr> <td>U-39</td> <td>"</td> <td>"</td> <td>V-675</td> <td>122</td> <td>1/2</td> <td>2900</td> <td>1\"/&gt;  <tr> <td>U-40</td> <td>"</td> <td>"</td> <td>V-675</td> <td>122</td> <td>1/2</td> <td>2900</td> <td>1\"/&gt;  <tr> <td>U-41</td> <td>"</td> <td>"</td> <td>V-675</td> <td>122</td> <td>1/2</td> <td>2900</td> <td>1\"/&gt;  <tr> <td>U-42</td> <td>"</td> <td>"</td> <td>V-675</td> <td>122</td> <td>1/2</td> <td>2900</td> <td>1\"/&gt;  <tr> <td>U-43</td> <td>"</td> <td>"</td> <td>V-675</td> <td>122</td> <td>1/2</td> <td>2900</td> <td>1\"/&gt;  <tr> <td>U-44</td> <td>"</td> <td>"</td> <td>V-675</td> <td>122</td> <td>1/2</td> <td>2900</td> <td>1\"/&gt;  <tr> <td>U-45</td> <td>"</td> <td>"</td> <td>V-675</td> <td>122</td> <td>1/2</td> <td>2900</td> <td>1\"/&gt;  <tr> <td>U-46</td> <td>"</td> <td>"</td> <td>V-675</td> <td>122</td> <td>1/2</td> <td>2900</td> <td>1\"/&gt;  <tr> <td>U-47</td> <td>"</td> <td>"</td> <td>V-675</td> <td>122</td> <td>1/2</td> <td>2900</td> <td>1\"/&gt;  <tr> <td>U-48</td> <td>"</td> <td>"</td> <td>V-675</td> <td>122</td> <td>1/2</td> <td>2900</td> <td>1\"/&gt;  <tr> <td>U-49</td> <td>"</td> <td>"</td> <td>V-675</td> <td>122</td> <td>1/2</td> <td>2900</td> <td>1\"/&gt;  <tr> <td>U-50</td> <td>"</td> <td>"</td> <td>V-675</td> <td>122</td> <td>1/2</td> <td>2900</td> <td>1\"/&gt;  </td></tr></td></tr></td></tr></td></tr></td></tr></td></tr></td></tr></td></tr></td></tr></td></tr></td></tr></td></tr></td></tr></td></tr></td></tr></td></tr></td></tr></td></tr></td></tr></td></tr></td></tr></td></tr></td></tr></td></tr></td></tr></td></tr></td></tr></td></tr></td></tr></td></tr></td></tr></td></tr></td></tr></td></tr></td></tr>  | U-16 | " | " | V-675 | 122 | 1/2 | 2900 | 1\"/> <tr> <td>U-17</td> <td>"</td> <td>"</td> <td>V-675</td> <td>122</td> <td>1/2</td> <td>2900</td> <td>1\"/&gt;  <tr> <td>U-18</td> <td>"</td> <td>"</td> <td>V-675</td> <td>122</td> <td>1/2</td> <td>2900</td> <td>1\"/&gt;  <tr> <td>U-19</td> <td>"</td> <td>"</td> <td>V-675</td> <td>122</td> <td>1/2</td> <td>2900</td> <td>1\"/&gt;  <tr> <td>U-20</td> <td>"</td> <td>"</td> <td>V-675</td> <td>122</td> <td>1/2</td> <td>2900</td> <td>1\"/&gt;  <tr> <td>U-21</td> <td>"</td> <td>"</td> <td>V-675</td> <td>122</td> <td>1/2</td> <td>2900</td> <td>1\"/&gt;  <tr> <td>U-22</td> <td>"</td> <td>"</td> <td>V-675</td> <td>122</td> <td>1/2</td> <td>2900</td> <td>1\"/&gt;  <tr> <td>U-23</td> <td>"</td> <td>"</td> <td>V-675</td> <td>122</td> <td>1/2</td> <td>2900</td> <td>1\"/&gt;  <tr> <td>U-24</td> <td>"</td> <td>"</td> <td>V-675</td> <td>122</td> <td>1/2</td> <td>2900</td> <td>1\"/&gt;  <tr> <td>U-25</td> <td>"</td> <td>"</td> <td>V-675</td> <td>122</td> <td>1/2</td> <td>2900</td> <td>1\"/&gt;  <tr> <td>U-26</td> <td>"</td> <td>"</td> <td>V-675</td> <td>122</td> <td>1/2</td> <td>2900</td> <td>1\"/&gt;  <tr> <td>U-27</td> <td>"</td> <td>"</td> <td>V-675</td> <td>122</td> <td>1/2</td> <td>2900</td> <td>1\"/&gt;  <tr> <td>U-28</td> <td>"</td> <td>"</td> <td>V-675</td> <td>122</td> <td>1/2</td> <td>2900</td> <td>1\"/&gt;  <tr> <td>U-29</td> <td>"</td> <td>"</td> <td>V-675</td> <td>122</td> <td>1/2</td> <td>2900</td> <td>1\"/&gt;  <tr> <td>U-30</td> <td>"</td> <td>"</td> <td>V-675</td> <td>122</td> <td>1/2</td> <td>2900</td> <td>1\"/&gt;  <tr> <td>U-31</td> <td>"</td> <td>"</td> <td>V-675</td> <td>122</td> <td>1/2</td> <td>2900</td> <td>1\"/&gt; 
<tr> <td>U-32</td> <td>"</td> <td>"</td> <td>V-675</td> <td>122</td> <td>1/2</td> <td>2900</td> <td>1\"/&gt;  <tr> <td>U-33</td> <td>"</td> <td>"</td> <td>V-675</td> <td>122</td> <td>1/2</td> <td>2900</td> <td>1\"/&gt;  <tr> <td>U-34</td> <td>"</td> <td>"</td> <td>V-675</td> <td>122</td> <td>1/2</td> <td>2900</td> <td>1\"/&gt;  <tr> <td>U-35</td> <td>"</td> <td>"</td> <td>V-675</td> <td>122</td> <td>1/2</td> <td>2900</td> <td>1\"/&gt;  <tr> <td>U-36</td> <td>"</td> <td>"</td> <td>V-675</td> <td>122</td> <td>1/2</td> <td>2900</td> <td>1\"/&gt;  <tr> <td>U-37</td> <td>"</td> <td>"</td> <td>V-675</td> <td>122</td> <td>1/2</td> <td>2900</td> <td>1\"/&gt;  <tr> <td>U-38</td> <td>"</td> <td>"</td> <td>V-675</td> <td>122</td> <td>1/2</td> <td>2900</td> <td>1\"/&gt;  <tr> <td>U-39</td> <td>"</td> <td>"</td> <td>V-675</td> <td>122</td> <td>1/2</td> <td>2900</td> <td>1\"/&gt;  <tr> <td>U-40</td> <td>"</td> <td>"</td> <td>V-675</td> <td>122</td> <td>1/2</td> <td>2900</td> <td>1\"/&gt;  <tr> <td>U-41</td> <td>"</td> <td>"</td> <td>V-675</td> <td>122</td> <td>1/2</td> <td>2900</td> <td>1\"/&gt;  <tr> <td>U-42</td> <td>"</td> <td>"</td> <td>V-675</td> <td>122</td> <td>1/2</td> <td>2900</td> <td>1\"/&gt;  <tr> <td>U-43</td> <td>"</td> <td>"</td> <td>V-675</td> <td>122</td> <td>1/2</td> <td>2900</td> <td>1\"/&gt;  <tr> <td>U-44</td> <td>"</td> <td>"</td> <td>V-675</td> <td>122</td> <td>1/2</td> <td>2900</td> <td>1\"/&gt;  <tr> <td>U-45</td> <td>"</td> <td>"</td> <td>V-675</td> <td>122</td> <td>1/2</td> <td>2900</td> <td>1\"/&gt;  <tr> <td>U-46</td> <td>"</td> <td>"</td> <td>V-675</td> <td>122</td> <td>1/2</td> <td>2900</td> <td>1\"/&gt;  <tr> <td>U-47</td> <td>"</td> <td>"</td> <td>V-675</td> <td>122</td> <td>1/2</td> <td>2900</td> <td>1\"/&gt;  <tr> <td>U-48</td> <td>"</td> <td>"</td> <td>V-675</td> <td>122</td> <td>1/2</td> <td>2900</td> <td>1\"/&gt;  <tr> <td>U-49</td> <td>"</td> <td>"</td> <td>V-675</td> <td>122</td> <td>1/2</td> <td>2900</td> <td>1\"/&gt;  <tr> <td>U-50</td> <td>"</td> <td>"</td> <td>V-675</td> <td>122</td> <td>1/2</td> <td>2900</td> <td>1\"/&gt;  </td></tr></td></tr></td></tr></td></tr></td></tr></td></tr></td></tr></td></tr></td></tr></td></tr></td></tr></td></tr></td></tr></td></tr></td></tr></td></tr></td></tr></td></tr></td></tr></td></tr></td></tr></td></tr></td></tr></td></tr></td></tr></td></tr></td></tr></td></tr></td></tr></td></tr></td></tr></td></tr></td></tr></td></tr>   | U-17 | " | " | V-675 | 122 | 1/2 | 2900 | 1\"/> <tr> <td>U-18</td> <td>"</td> <td>"</td> <td>V-675</td> <td>122</td> <td>1/2</td> <td>2900</td> <td>1\"/&gt;  <tr> <td>U-19</td> <td>"</td> <td>"</td> <td>V-675</td> <td>122</td> <td>1/2</td> <td>2900</td> <td>1\"/&gt;  <tr> <td>U-20</td> <td>"</td> <td>"</td> <td>V-675</td> <td>122</td> <td>1/2</td> <td>2900</td> <td>1\"/&gt;  <tr> <td>U-21</td> <td>"</td> <td>"</td> <td>V-675</td> <td>122</td> <td>1/2</td> <td>2900</td> <td>1\"/&gt;  <tr> <td>U-22</td> <td>"</td> <td>"</td> <td>V-675</td> <td>122</td> <td>1/2</td> <td>2900</td> <td>1\"/&gt;  <tr> <td>U-23</td> <td>"</td> <td>"</td> <td>V-675</td> <td>122</td> <td>1/2</td> <td>2900</td> <td>1\"/&gt;  <tr> <td>U-24</td> <td>"</td> <td>"</td> <td>V-675</td> <td>122</td> <td>1/2</td> <td>2900</td> <td>1\"/&gt;  <tr> <td>U-25</td> <td>"</td> <td>"</td> <td>V-675</td> <td>122</td> <td>1/2</td> <td>2900</td> <td>1\"/&gt;  <tr> <td>U-26</td> <td>"</td> <td>"</td> <td>V-675</td> <td>122</td> <td>1/2</td> <td>2900</td> <td>1\"/&gt;  <tr> <td>U-27</td> <td>"</td> <td>"</td> <td>V-675</td> <td>122</td> <td>1/2</td> <td>2900</td> <td>1\"/&gt;  <tr> <td>U-28</td> <td>"</td> <td>"</td> <td>V-675</td> <td>122</td> <td>1/2</td> <td>2900</td> <td>1\"/&gt;  <tr> <td>U-29</td> <td>"</td> <td>"</td> <td>V-675</td> <td>122</td> <td>1/2</td> <td>2900</td> <td>1\"/&gt;  <tr> <td>U-30</td> <td>"</td> <td>"</td> <td>V-675</td> <td>122</td> <td>1/2</td> <td>2900</td> <td>1\"/&gt;  <tr> <td>U-31</td> <td>"</td> <td>"</td> <td>V-675</td> <td>122</td> <td>1/2</td> <td>2900</td> <td>1\"/&gt;  <tr> <td>U-32</td> <td>"</td> <td>"</td> <td>V-675</td> <td>122</td> <td>1/2</td> <td>2900</td> <td>1\"/&gt;  <tr> <td>U-33</td> <td>"</td> <td>"</td> <td>V-675</td> <td>122</td> <td>1/2</td> <td>2900</td> <td>1\"/&gt;  <tr> <td>U-34</td> <td>"</td> <td>"</td> <td>V-675</td> <td>122</td> <td>1/2</td> <td>2900</td> <td>1\"/&gt;  <tr> <td>U-35</td> <td>"</td> <td>"</td> <td>V-675</td> <td>122</td> <td>1/2</td> <td>2900</td> <td>1\"/&gt;  <tr> <td>U-36</td> <td>"</td> <td>"</td> <td>V-675</td> <td>122</td> <td>1/2</td> <td>2900</td> <td>1\"/&gt;  <tr> <td>U-37</td> <td>"</td> <td>"</td> <td>V-675</td> <td>122</td> <td>1/2</td> <td>2900</td> <td>1\"/&gt;  <tr> <td>U-38</td> <td>"</td> <td>"</td> <td>V-675</td> <td>122</td> <td>1/2</td> <td>2900</td> <td>1\"/&gt;  <tr> <td>U-39</td> <td>"</td> <td>"</td> <td>V-675</td> <td>122</td> <td>1/2</td> <td>2900</td> <td>1\"/&gt;  <tr> <td>U-40</td> <td>"</td> <td>"</td> <td>V-675</td> <td>122</td> <td>1/2</td> <td>2900</td> <td>1\"/&gt;  <tr> <td>U-41</td> <td>"</td> <td>"</td> <td>V-675</td> <td>122</td> <td>1/2</td> <td>2900</td> <td>1\"/&gt;  <tr> <td>U-42</td> <td>"</td> <td>"</td> <td>V-675</td> <td>122</td> <td>1/2</td> <td>2900</td> <td>1\"/&gt;  <tr> <td>U-43</td> <td>"</td> <td>"</td> <td>V-675</td> <td>122</td> <td>1/2</td> <td>2900</td> <td>1\"/&gt;  <tr> <td>U-44</td> <td>"</td> <td>"</td> <td>V-675</td> <td>122</td> <td>1/2</td> <td>2900</td> <td>1\"/&gt;  <tr> <td>U-45</td> <td>"</td> <td>"</td> <td>V-675</td> <td>122</td> <td>1/2</td> <td>2900</td> <td>1\"/&gt;  <tr> <td>U-46</td> <td>"</td> <td>"</td> <td>V-675</td> <td>122</td> <td>1/2</td> <td>2900</td> <td>1\"/&gt;  <tr> <td>U-47</td> <td>"</td> <td>"</td> <td>V-675</td> <td>122</td> <td>1/2</td> <td>2900</td> <td>1\"/&gt;  <tr> <td>U-48</td> <td>"</td> <td>"</td> <td>V-675</td> <td>122</td> <td>1/2</td> <td>2900</td> <td>1\"/&gt;  <tr> <td>U-49</td> <td>"</td> <td>"</td> <td>V-675</td> <td>122</td> <td>1/2</td> <td>2900</td> <td>1\"/&gt;  <tr> <td>U-50</td> <td>"</td> <td>"</td> <td>V-675</td> <td>122</td> <td>1/2</td> <td>2900</td> <td>1\"/&gt;  </td></tr></td></tr></td></tr></td></tr></td></tr></td></tr></td></tr></td></tr></td></tr></td></tr></td></tr></td></tr></td></tr></td></tr></td></tr></td></tr></td></tr></td></tr></td></tr></td></tr></td></tr></td></tr></td></tr></td></tr></td></tr></td></tr></td></tr></td></tr></td></tr></td></tr></td></tr></td></tr></td></tr>  | U-18 | " | " | V-675 | 122 | 1/2 | 2900 | 1\"/> <tr> <td>U-19</td> <td>"</td> <td>"</td> <td>V-675</td> <td>122</td> <td>1/2</td> <td>2900</td> <td>1\"/&gt;  <tr> <td>U-20</td> <td>"</td> <td>"</td> <td>V-675</td> <td>122</td> <td>1/2</td> <td>2900</td> <td>1\"/&gt;  <tr> <td>U-21</td> <td>"</td> <td>"</td> <td>V-675</td> <td>122</td> <td>1/2</td> <td>2900</td> <td>1\"/&gt;  <tr> <td>U-22</td> <td>"</td> <td>"</td> <td>V-675</td> <td>122</td> <td>1/2</td> <td>2900</td> <td>1\"/&gt;  <tr> <td>U-23</td> <td>"</td> <td>"</td> <td>V-675</td> <td>122</td> <td>1/2</td> <td>2900</td> <td>1\"/&gt;  <tr> <td>U-24</td> <td>"</td> <td>"</td> <td>V-675</td> <td>122</td> <td>1/2</td> <td>2900</td> <td>1\"/&gt;  <tr> <td>U-25</td> <td>"</td> <td>"</td> <td>V-675</td> <td>122</td> <td>1/2</td> <td>2900</td> <td>1\"/&gt;  <tr> <td>U-26</td> <td>"</td> <td>"</td> <td>V-675</td> <td>122</td> <td>1/2</td> <td>2900</td> <td>1\"/&gt;  <tr> <td>U-27</td> <td>"</td> <td>"</td> <td>V-675</td> <td>122</td> <td>1/2</td> <td>2900</td> <td>1\"/&gt;  <tr> <td>U-28</td> <td>"</td> <td>"</td> <td>V-675</td> <td>122</td> <td>1/2</td> <td>2900</td> <td>1\"/&gt;  <tr> <td>U-29</td> <td>"</td> <td>"</td> <td>V-675</td> <td>122</td> <td>1/2</td> <td>2900</td> <td>1\"/&gt;  <tr> <td>U-30</td> <td>"</td> <td>"</td> <td>V-675</td> <td>122</td> <td>1/2</td> <td>2900</td> <td>1\"/&gt;  <tr> <td>U-31</td> <td>"</td>
<td>"</td> <td>V-675</td> <td>122</td> <td>1/2</td> <td>2900</td> <td>1\"/&gt;  <tr> <td>U-32</td> <td>"</td> <td>"</td> <td>V-675</td> <td>122</td> <td>1/2</td> <td>2900</td> <td>1\"/&gt;  <tr> <td>U-33</td> <td>"</td> <td>"</td> <td>V-675</td> <td>122</td> <td>1/2</td> <td>2900</td> <td>1\"/&gt;  <tr> <td>U-34</td> <td>"</td> <td>"</td> <td>V-675</td> <td>122</td> <td>1/2</td> <td>2900</td> <td>1\"/&gt;  <tr> <td>U-35</td> <td>"</td> <td>"</td> <td>V-675</td> <td>122</td> <td>1/2</td> <td>2900</td> <td>1\"/&gt;  <tr> <td>U-36</td> <td>"</td> <td>"</td> <td>V-675</td> <td>122</td> <td>1/2</td> <td>2900</td> <td>1\"/&gt;  <tr> <td>U-37</td> <td>"</td> <td>"</td> <td>V-675</td> <td>122</td> <td>1/2</td> <td>2900</td> <td>1\"/&gt;  <tr> <td>U-38</td> <td>"</td> <td>"</td> <td>V-675</td> <td>122</td> <td>1/2</td> <td>2900</td> <td>1\"/&gt;  <tr> <td>U-39</td> <td>"</td> <td>"</td> <td>V-675</td> <td>122</td> <td>1/2</td> <td>2900</td> <td>1\"/&gt;  <tr> <td>U-40</td> <td>"</td> <td>"</td> <td>V-675</td> <td>122</td> <td>1/2</td> <td>2900</td> <td>1\"/&gt;  <tr> <td>U-41</td> <td>"</td> <td>"</td> <td>V-675</td> <td>122</td> <td>1/2</td> <td>2900</td> <td>1\"/&gt;  <tr> <td>U-42</td> <td>"</td> <td>"</td> <td>V-675</td> <td>122</td> <td>1/2</td> <td>2900</td> <td>1\"/&gt;  <tr> <td>U-43</td> <td>"</td> <td>"</td> <td>V-675</td> <td>122</td> <td>1/2</td> <td>2900</td> <td>1\"/&gt;  <tr> <td>U-44</td> <td>"</td> <td>"</td> <td>V-675</td> <td>122</td> <td>1/2</td> <td>2900</td> <td>1\"/&gt;  <tr> <td>U-45</td> <td>"</td> <td>"</td> <td>V-675</td> <td>122</td> <td>1/2</td> <td>2900</td> <td>1\"/&gt;  <tr> <td>U-46</td> <td>"</td> <td>"</td> <td>V-675</td> <td>122</td> <td>1/2</td> <td>2900</td> <td>1\"/&gt;  <tr> <td>U-47</td> <td>"</td> <td>"</td> <td>V-675</td> <td>122</td> <td>1/2</td> <td>2900</td> <td>1\"/&gt;  <tr> <td>U-48</td> <td>"</td> <td>"</td> <td>V-675</td> <td>122</td> <td>1/2</td> <td>2900</td> <td>1\"/&gt;  <tr> <td>U-49</td> <td>"</td> <td>"</td> <td>V-675</td> <td>122</td> <td>1/2</td> <td>2900</td> <td>1\"/&gt;  <tr> <td>U-50</td> <td>"</td> <td>"</td> <td>V-675</td> <td>122</td> <td>1/2</td> <td>2900</td> <td>1\"/&gt;  </td></tr></td></tr></td></tr></td></tr></td></tr></td></tr></td></tr></td></tr></td></tr></td></tr></td></tr></td></tr></td></tr></td></tr></td></tr></td></tr></td></tr></td></tr></td></tr></td></tr></td></tr></td></tr></td></tr></td></tr></td></tr></td></tr></td></tr></td></tr></td></tr></td></tr></td></tr></td></tr>   | U-19 | " | " | V-675 | 122 | 1/2 | 2900 | 1\"/> <tr> <td>U-20</td> <td>"</td> <td>"</td> <td>V-675</td> <td>122</td> <td>1/2</td> <td>2900</td> <td>1\"/&gt;  <tr> <td>U-21</td> <td>"</td> <td>"</td> <td>V-675</td> <td>122</td> <td>1/2</td> <td>2900</td> <td>1\"/&gt;  <tr> <td>U-22</td> <td>"</td> <td>"</td> <td>V-675</td> <td>122</td> <td>1/2</td> <td>2900</td> <td>1\"/&gt;  <tr> <td>U-23</td> <td>"</td> <td>"</td> <td>V-675</td> <td>122</td> <td>1/2</td> <td>2900</td> <td>1\"/&gt;  <tr> <td>U-24</td> <td>"</td> <td>"</td> <td>V-675</td> <td>122</td> <td>1/2</td> <td>2900</td> <td>1\"/&gt;  <tr> <td>U-25</td> <td>"</td> <td>"</td> <td>V-675</td> <td>122</td> <td>1/2</td> <td>2900</td> <td>1\"/&gt;  <tr> <td>U-26</td> <td>"</td> <td>"</td> <td>V-675</td> <td>122</td> <td>1/2</td> <td>2900</td> <td>1\"/&gt;  <tr> <td>U-27</td> <td>"</td> <td>"</td> <td>V-675</td> <td>122</td> <td>1/2</td> <td>2900</td> <td>1\"/&gt;  <tr> <td>U-28</td> <td>"</td> <td>"</td> <td>V-675</td> <td>122</td> <td>1/2</td> <td>2900</td> <td>1\"/&gt;  <tr> <td>U-29</td> <td>"</td> <td>"</td> <td>V-675</td> <td>122</td> <td>1/2</td> <td>2900</td> <td>1\"/&gt;  <tr> <td>U-30</td> <td>"</td> <td>"</td> <td>V-675</td> <td>122</td> <td>1/2</td> <td>2900</td> <td>1\"/&gt;  <tr> <td>U-31</td> <td>"</td> <td>"</td> <td>V-675</td> <td>122</td> <td>1/2</td> <td>2900</td> <td>1\"/&gt;  <tr> <td>U-32</td> <td>"</td> <td>"</td> <td>V-675</td> <td>122</td> <td>1/2</td> <td>2900</td> <td>1\"/&gt;  <tr> <td>U-33</td> <td>"</td> <td>"</td> <td>V-675</td> <td>122</td> <td>1/2</td> <td>2900</td> <td>1\"/&gt;  <tr> <td>U-34</td> <td>"</td> <td>"</td> <td>V-675</td> <td>122</td> <td>1/2</td> <td>2900</td> <td>1\"/&gt;  <tr> <td>U-35</td> <td>"</td> <td>"</td> <td>V-675</td> <td>122</td> <td>1/2</td> <td>2900</td> <td>1\"/&gt;  <tr> <td>U-36</td> <td>"</td> <td>"</td> <td>V-675</td> <td>122</td> <td>1/2</td> <td>2900</td> <td>1\"/&gt;  <tr> <td>U-37</td> <td>"</td> <td>"</td> <td>V-675</td> <td>122</td> <td>1/2</td> <td>2900</td> <td>1\"/&gt;  <tr> <td>U-38</td> <td>"</td> <td>"</td> <td>V-675</td> <td>122</td> <td>1/2</td> <td>2900</td> <td>1\"/&gt;  <tr> <td>U-39</td> <td>"</td> <td>"</td> <td>V-675</td> <td>122</td> <td>1/2</td> <td>2900</td> <td>1\"/&gt;  <tr> <td>U-40</td> <td>"</td> <td>"</td> <td>V-675</td> <td>122</td> <td>1/2</td> <td>2900</td> <td>1\"/&gt;  <tr> <td>U-41</td> <td>"</td> <td>"</td> <td>V-675</td> <td>122</td> <td>1/2</td> <td>2900</td> <td>1\"/&gt;  <tr> <td>U-42</td> <td>"</td> <td>"</td> <td>V-675</td> <td>122</td> <td>1/2</td> <td>2900</td> <td>1\"/&gt;  <tr> <td>U-43</td> <td>"</td> <td>"</td> <td>V-675</td> <td>122</td> <td>1/2</td> <td>2900</td> <td>1\"/&gt;  <tr> <td>U-44</td> <td>"</td> <td>"</td> <td>V-675</td> <td>122</td> <td>1/2</td> <td>2900</td> <td>1\"/&gt;  <tr> <td>U-45</td> <td>"</td> <td>"</td> <td>V-675</td> <td>122</td> <td>1/2</td> <td>2900</td> <td>1\"/&gt;  <tr> <td>U-46</td> <td>"</td> <td>"</td> <td>V-675</td> <td>122</td> <td>1/2</td> <td>2900</td> <td>1\"/&gt;  <tr> <td>U-47</td> <td>"</td> <td>"</td> <td>V-675</td> <td>122</td> <td>1/2</td> <td>2900</td> <td>1\"/&gt;  <tr> <td>U-48</td> <td>"</td> <td>"</td> <td>V-675</td> <td>122</td> <td>1/2</td> <td>2900</td> <td>1\"/&gt;  <tr> <td>U-49</td> <td>"</td> <td>"</td> <td>V-675</td> <td>122</td> <td>1/2</td> <td>2900</td> <td>1\"/&gt;  <tr> <td>U-50</td> <td>"</td> <td>"</td> <td>V-675</td> <td>122</td> <td>1/2</td> <td>2900</td> <td>1\"/&gt;  </td></tr></td></tr></td></tr></td></tr></td></tr></td></tr></td></tr></td></tr></td></tr></td></tr></td></tr></td></tr></td></tr></td></tr></td></tr></td></tr></td></tr></td></tr></td></tr></td></tr></td></tr></td></tr></td></tr></td></tr></td></tr></td></tr></td></tr></td></tr></td></tr></td></tr></td></tr>   | U-20 | " | " | V-675 | 122 | 1/2 | 2900 | 1\"/> <tr> <td>U-21</td> <td>"</td> <td>"</td> <td>V-675</td> <td>122</td> <td>1/2</td> <td>2900</td> <td>1\"/&gt;  <tr> <td>U-22</td> <td>"</td> <td>"</td> <td>V-675</td> <td>122</td> <td>1/2</td> <td>2900</td> <td>1\"/&gt;  <tr> <td>U-23</td> <td>"</td> <td>"</td> <td>V-675</td> <td>122</td> <td>1/2</td> <td>2900</td> <td>1\"/&gt;  <tr> <td>U-24</td> <td>"</td> <td>"</td> <td>V-675</td> <td>122</td> <td>1/2</td> <td>2900</td> <td>1\"/&gt;  <tr> <td>U-25</td> <td>"</td> <td>"</td> <td>V-675</td> <td>122</td> <td>1/2</td> <td>2900</td> <td>1\"/&gt;  <tr> <td>U-26</td> <td>"</td> <td>"</td> <td>V-675</td> <td>122</td> <td>1/2</td> <td>2900</td> <td>1\"/&gt;  <tr> <td>U-27</td> <td>"</td> <td>"</td> <td>V-675</td> <td>122</td> <td>1/2</td> <td>2900</td> <td>1\"/&gt;  <tr> <td>U-28</td> <td>"</td> <td>"</td> <td>V-675</td> <td>122</td> <td>1/2</td> <td>2900</td> <td>1\"/&gt;  <tr> <td>U-29</td> <td>"</td> <td>"</td> <td>V-675</td> <td>122</td> <td>1/2</td> <td>2900</td> <td>1\"/&gt;  <tr> <td>U-30</td> <td>"</td> <td>"</td> <td>V-675</td> <td>122</td> <td>1/2</td> <td>2900</td> <td>1\"/&gt;  <tr> <td>U-31</td> <td>"</td> <td>"</td> <td>V-675</td> <td>122</td> <td>1/2</td> <td>2900</td> <td>1\"/&gt;  <tr> <td>U-32</td> <td>"</td> <td>"</td> <td>V-675</td> <td>122</td> <td>1/2</td> <td>2900</td> <td>1\"/&gt;  <tr> <td>U-33</td> <td>"</td> <td>"</td> <td>V-675</td> <td>122</td> <td>1/2</td> <td>2900</td> <td>1\"/&gt;  <tr> <td>U-34</td> <td>"</td> <td>"</td> <td>V-675</td> <td>122</td> <td>1/2</td> <td>2900</td>
<td>1\"/&gt;  <tr> <td>U-35</td> <td>"</td> <td>"</td> <td>V-675</td> <td>122</td> <td>1/2</td> <td>2900</td> <td>1\"/&gt;  <tr> <td>U-36</td> <td>"</td> <td>"</td> <td>V-675</td> <td>122</td> <td>1/2</td> <td>2900</td> <td>1\"/&gt;  <tr> <td>U-37</td> <td>"</td> <td>"</td> <td>V-675</td> <td>122</td> <td>1/2</td> <td>2900</td> <td>1\"/&gt;  <tr> <td>U-38</td> <td>"</td> <td>"</td> <td>V-675</td> <td>122</td> <td>1/2</td> <td>2900</td> <td>1\"/&gt;  <tr> <td>U-39</td> <td>"</td> <td>"</td> <td>V-675</td> <td>122</td> <td>1/2</td> <td>2900</td> <td>1\"/&gt;  <tr> <td>U-40</td> <td>"</td> <td>"</td> <td>V-675</td> <td>122</td> <td>1/2</td> <td>2900</td> <td>1\"/&gt;  <tr> <td>U-41</td> <td>"</td> <td>"</td> <td>V-675</td> <td>122</td> <td>1/2</td> <td>2900</td> <td>1\"/&gt;  <tr> <td>U-42</td> <td>"</td> <td>"</td> <td>V-675</td> <td>122</td> <td>1/2</td> <td>2900</td> <td>1\"/&gt;  <tr> <td>U-43</td> <td>"</td> <td>"</td> <td>V-675</td> <td>122</td> <td>1/2</td> <td>2900</td> <td>1\"/&gt;  <tr> <td>U-44</td> <td>"</td> <td>"</td> <td>V-675</td> <td>122</td> <td>1/2</td> <td>2900</td> <td>1\"/&gt;  <tr> <td>U-45</td> <td>"</td> <td>"</td> <td>V-675</td> <td>122</td> <td>1/2</td> <td>2900</td> <td>1\"/&gt;  <tr> <td>U-46</td> <td>"</td> <td>"</td> <td>V-675</td> <td>122</td> <td>1/2</td> <td>2900</td> <td>1\"/&gt;  <tr> <td>U-47</td> <td>"</td> <td>"</td> <td>V-675</td> <td>122</td> <td>1/2</td> <td>2900</td> <td>1\"/&gt;  <tr> <td>U-48</td> <td>"</td> <td>"</td> <td>V-675</td> <td>122</td> <td>1/2</td> <td>2900</td> <td>1\"/&gt;  <tr> <td>U-49</td> <td>"</td> <td>"</td> <td>V-675</td> <td>122</td> <td>1/2</td> <td>2900</td> <td>1\"/&gt;  <tr> <td>U-50</td> <td>"</td> <td>"</td> <td>V-675</td> <td>122</td> <td>1/2</td> <td>2900</td> <td>1\"/&gt;  </td></tr></td></tr></td></tr></td></tr></td></tr></td></tr></td></tr></td></tr></td></tr></td></tr></td></tr></td></tr></td></tr></td></tr></td></tr></td></tr></td></tr></td></tr></td></tr></td></tr></td></tr></td></tr></td></tr></td></tr></td></tr></td></tr></td></tr></td></tr></td></tr></td></tr>   | U-21 | " | " | V-675 | 122 | 1/2 | 2900 | 1\"/> <tr> <td>U-22</td> <td>"</td> <td>"</td> <td>V-675</td> <td>122</td> <td>1/2</td> <td>2900</td> <td>1\"/&gt;  <tr> <td>U-23</td> <td>"</td> <td>"</td> <td>V-675</td> <td>122</td> <td>1/2</td> <td>2900</td> <td>1\"/&gt;  <tr> <td>U-24</td> <td>"</td> <td>"</td> <td>V-675</td> <td>122</td> <td>1/2</td> <td>2900</td> <td>1\"/&gt;  <tr> <td>U-25</td> <td>"</td> <td>"</td> <td>V-675</td> <td>122</td> <td>1/2</td> <td>2900</td> <td>1\"/&gt;  <tr> <td>U-26</td> <td>"</td> <td>"</td> <td>V-675</td> <td>122</td> <td>1/2</td> <td>2900</td> <td>1\"/&gt;  <tr> <td>U-27</td> <td>"</td> <td>"</td> <td>V-675</td> <td>122</td> <td>1/2</td> <td>2900</td> <td>1\"/&gt;  <tr> <td>U-28</td> <td>"</td> <td>"</td> <td>V-675</td> <td>122</td> <td>1/2</td> <td>2900</td> <td>1\"/&gt;  <tr> <td>U-29</td> <td>"</td> <td>"</td> <td>V-675</td> <td>122</td> <td>1/2</td> <td>2900</td> <td>1\"/&gt;  <tr> <td>U-30</td> <td>"</td> <td>"</td> <td>V-675</td> <td>122</td> <td>1/2</td> <td>2900</td> <td>1\"/&gt;  <tr> <td>U-31</td> <td>"</td> <td>"</td> <td>V-675</td> <td>122</td> <td>1/2</td> <td>2900</td> <td>1\"/&gt;  <tr> <td>U-32</td> <td>"</td> <td>"</td> <td>V-675</td> <td>122</td> <td>1/2</td> <td>2900</td> <td>1\"/&gt;  <tr> <td>U-33</td> <td>"</td> <td>"</td> <td>V-675</td> <td>122</td> <td>1/2</td> <td>2900</td> <td>1\"/&gt;  <tr> <td>U-34</td> <td>"</td> <td>"</td> <td>V-675</td> <td>122</td> <td>1/2</td> <td>2900</td> <td>1\"/&gt;  <tr> <td>U-35</td> <td>"</td> <td>"</td> <td>V-675</td> <td>122</td> <td>1/2</td> <td>2900</td> <td>1\"/&gt;  <tr> <td>U-36</td> <td>"</td> <td>"</td> <td>V-675</td> <td>122</td> <td>1/2</td> <td>2900</td> <td>1\"/&gt;  <tr> <td>U-37</td> <td>"</td> <td>"</td> <td>V-675</td> <td>122</td> <td>1/2</td> <td>2900</td> <td>1\"/&gt;  <tr> <td>U-38</td> <td>"</td> <td>"</td> <td>V-675</td> <td>122</td> <td>1/2</td> <td>2900</td> <td>1\"/&gt;  <tr> <td>U-39</td> <td>"</td> <td>"</td> <td>V-675</td> <td>122</td> <td>1/2</td> <td>2900</td> <td>1\"/&gt;  <tr> <td>U-40</td> <td>"</td> <td>"</td> <td>V-675</td> <td>122</td> <td>1/2</td> <td>2900</td> <td>1\"/&gt;  <tr> <td>U-41</td> <td>"</td> <td>"</td> <td>V-675</td> <td>122</td> <td>1/2</td> <td>2900</td> <td>1\"/&gt;  <tr> <td>U-42</td> <td>"</td> <td>"</td> <td>V-675</td> <td>122</td> <td>1/2</td> <td>2900</td> <td>1\"/&gt;  <tr> <td>U-43</td> <td>"</td> <td>"</td> <td>V-675</td> <td>122</td> <td>1/2</td> <td>2900</td> <td>1\"/&gt;  <tr> <td>U-44</td> <td>"</td> <td>"</td> <td>V-675</td> <td>122</td> <td>1/2</td> <td>2900</td> <td>1\"/&gt;  <tr> <td>U-45</td> <td>"</td> <td>"</td> <td>V-675</td> <td>122</td> <td>1/2</td> <td>2900</td> <td>1\"/&gt;  <tr> <td>U-46</td> <td>"</td> <td>"</td> <td>V-675</td> <td>122</td> <td>1/2</td> <td>2900</td> <td>1\"/&gt;  <tr> <td>U-47</td> <td>"</td> <td>"</td> <td>V-675</td> <td>122</td> <td>1/2</td> <td>2900</td> <td>1\"/&gt;  <tr> <td>U-48</td> <td>"</td> <td>"</td> <td>V-675</td> <td>122</td> <td>1/2</td> <td>2900</td> <td>1\"/&gt;  <tr> <td>U-49</td> <td>"</td> <td>"</td> <td>V-675</td> <td>122</td> <td>1/2</td> <td>2900</td> <td>1\"/&gt;  <tr> <td>U-50</td> <td>"</td> <td>"</td> <td>V-675</td> <td>122</td> <td>1/2</td> <td>2900</td> <td>1\"/&gt;  </td></tr></td></tr></td></tr></td></tr></td></tr></td></tr></td></tr></td></tr></td></tr></td></tr></td></tr></td></tr></td></tr></td></tr></td></tr></td></tr></td></tr></td></tr></td></tr></td></tr></td></tr></td></tr></td></tr></td></tr></td></tr></td></tr></td></tr></td></tr></td></tr>   | U-22 | " | " | V-675 | 122 | 1/2 | 2900 | 1\"/> <tr> <td>U-23</td> <td>"</td> <td>"</td> <td>V-675</td> <td>122</td> <td>1/2</td> <td>2900</td> <td>1\"/&gt;  <tr> <td>U-24</td> <td>"</td> <td>"</td> <td>V-675</td> <td>122</td> <td>1/2</td> <td>2900</td> <td>1\"/&gt;  <tr> <td>U-25</td> <td>"</td> <td>"</td> <td>V-675</td> <td>122</td> <td>1/2</td> <td>2900</td> <td>1\"/&gt;  <tr> <td>U-26</td> <td>"</td> <td>"</td> <td>V-675</td> <td>122</td> <td>1/2</td> <td>2900</td> <td>1\"/&gt;  <tr> <td>U-27</td> <td>"</td> <td>"</td> <td>V-675</td> <td>122</td> <td>1/2</td> <td>2900</td> <td>1\"/&gt;  <tr> <td>U-28</td> <td>"</td> <td>"</td> <td>V-675</td> <td>122</td> <td>1/2</td> <td>2900</td> <td>1\"/&gt;  <tr> <td>U-29</td> <td>"</td> <td>"</td> <td>V-675</td> <td>122</td> <td>1/2</td> <td>2900</td> <td>1\"/&gt;  <tr> <td>U-30</td> <td>"</td> <td>"</td> <td>V-675</td> <td>122</td> <td>1/2</td> <td>2900</td> <td>1\"/&gt;  <tr> <td>U-31</td> <td>"</td> <td>"</td> <td>V-675</td> <td>122</td> <td>1/2</td> <td>2900</td> <td>1\"/&gt;  <tr> <td>U-32</td> <td>"</td> <td>"</td> <td>V-675</td> <td>122</td> <td>1/2</td> <td>2900</td> <td>1\"/&gt;  <tr> <td>U-33</td> <td>"</td> <td>"</td> <td>V-675</td> <td>122</td> <td>1/2</td> <td>2900</td> <td>1\"/&gt;  <tr> <td>U-34</td> <td>"</td> <td>"</td> <td>V-675</td> <td>122</td> <td>1/2</td> <td>2900</td> <td>1\"/&gt;  <tr> <td>U-35</td> <td>"</td> <td>"</td> <td>V-675</td> <td>122</td> <td>1/2</td> <td>2900</td> <td>1\"/&gt;  <tr> <td>U-36</td> <td>"</td> <td>"</td> <td>V-675</td> <td>122</td> <td>1/2</td> <td>2900</td> <td>1\"/&gt;  <tr> <td>U-37</td> <td>"</td> <td>"</td> <td>V-675</td> <td>122</td> <td>1/2</td> <td>2900</td> <td>1\"/&gt;  <tr> <td>U-38</td> <td>"</td> <td>"</td> <td>V-675</td> <td>122</td> <td>1/2</td> <td>2900</td> <td>1\"/&gt;  <tr> <td>U-39</td> <td>"</td> <td>"</td> <td>V-675</td> <td>122</td> <td>1/2</td> <td>2900</td> <td>1\"/&gt;  <tr> <td>U-40</td> <td>"</td> <td>"</td> <td>V-675</td> <td>122</td> <td>1/2</td> <td>2900</td> <td>1\"/&gt;  <tr> <td>U-41</td> <td>"</td> <td>"</td> <td>V-675</td> <td>122</td> <td>1/2</td> <td>2900</td> <td>1\"/&gt;  <tr> <td>U-42</td> <td>"</td> <td>"</td> <td>V-675</td> <td>122</td> <td>1/2</td>
<td>2900</td> <td>1\"/&gt;  <tr> <td>U-43</td> <td>"</td> <td>"</td> <td>V-675</td> <td>122</td> <td>1/2</td> <td>2900</td> <td>1\"/&gt;  <tr> <td>U-44</td> <td>"</td> <td>"</td> <td>V-675</td> <td>122</td> <td>1/2</td> <td>2900</td> <td>1\"/&gt;  <tr> <td>U-45</td> <td>"</td> <td>"</td> <td>V-675</td> <td>122</td> <td>1/2</td> <td>2900</td> <td>1\"/&gt;  <tr> <td>U-46</td> <td>"</td> <td>"</td> <td>V-675</td> <td>122</td> <td>1/2</td> <td>2900</td> <td>1\"/&gt;  <tr> <td>U-47</td> <td>"</td> <td>"</td> <td>V-675</td> <td>122</td> <td>1/2</td> <td>2900</td> <td>1\"/&gt;  <tr> <td>U-48</td> <td>"</td> <td>"</td> <td>V-675</td> <td>122</td> <td>1/2</td> <td>2900</td> <td>1\"/&gt;  <tr> <td>U-49</td> <td>"</td> <td>"</td> <td>V-675</td> <td>122</td> <td>1/2</td> <td>2900</td> <td>1\"/&gt;  <tr> <td>U-50</td> <td>"</td> <td>"</td> <td>V-675</td> <td>122</td> <td>1/2</td> <td>2900</td> <td>1\"/&gt;  </td></tr></td></tr></td></tr></td></tr></td></tr></td></tr></td></tr></td></tr></td></tr></td></tr></td></tr></td></tr></td></tr></td></tr></td></tr></td></tr></td></tr></td></tr></td></tr></td></tr></td></tr></td></tr></td></tr></td></tr></td></tr></td></tr></td></tr></td></tr>   | U-23 | " | " | V-675 | 122 | 1/2 | 2900 | 1\"/> <tr> <td>U-24</td> <td>"</td> <td>"</td> <td>V-675</td> <td>122</td> <td>1/2</td> <td>2900</td> <td>1\"/&gt;  <tr> <td>U-25</td> <td>"</td> <td>"</td> <td>V-675</td> <td>122</td> <td>1/2</td> <td>2900</td> <td>1\"/&gt;  <tr> <td>U-26</td> <td>"</td> <td>"</td> <td>V-675</td> <td>122</td> <td>1/2</td> <td>2900</td> <td>1\"/&gt;  <tr> <td>U-27</td> <td>"</td> <td>"</td> <td>V-675</td> <td>122</td> <td>1/2</td> <td>2900</td> <td>1\"/&gt;  <tr> <td>U-28</td> <td>"</td> <td>"</td> <td>V-675</td> <td>122</td> <td>1/2</td> <td>2900</td> <td>1\"/&gt;  <tr> <td>U-29</td> <td>"</td> <td>"</td> <td>V-675</td> <td>122</td> <td>1/2</td> <td>2900</td> <td>1\"/&gt;  <tr> <td>U-30</td> <td>"</td> <td>"</td> <td>V-675</td> <td>122</td> <td>1/2</td> <td>2900</td> <td>1\"/&gt;  <tr> <td>U-31</td> <td>"</td> <td>"</td> <td>V-675</td> <td>122</td> <td>1/2</td> <td>2900</td> <td>1\"/&gt;  <tr> <td>U-32</td> <td>"</td> <td>"</td> <td>V-675</td> <td>122</td> <td>1/2</td> <td>2900</td> <td>1\"/&gt;  <tr> <td>U-33</td> <td>"</td> <td>"</td> <td>V-675</td> <td>122</td> <td>1/2</td> <td>2900</td> <td>1\"/&gt;  <tr> <td>U-34</td> <td>"</td> <td>"</td> <td>V-675</td> <td>122</td> <td>1/2</td> <td>2900</td> <td>1\"/&gt;  <tr> <td>U-35</td> <td>"</td> <td>"</td> <td>V-675</td> <td>122</td> <td>1/2</td> <td>2900</td> <td>1\"/&gt;  <tr> <td>U-36</td> <td>"</td> <td>"</td> <td>V-675</td> <td>122</td> <td>1/2</td> <td>2900</td> <td>1\"/&gt;  <tr> <td>U-37</td> <td>"</td> <td>"</td> <td>V-675</td> <td>122</td> <td>1/2</td> <td>2900</td> <td>1\"/&gt;  <tr> <td>U-38</td> <td>"</td> <td>"</td> <td>V-675</td> <td>122</td> <td>1/2</td> <td>2900</td> <td>1\"/&gt;  <tr> <td>U-39</td> <td>"</td> <td>"</td> <td>V-675</td> <td>122</td> <td>1/2</td> <td>2900</td> <td>1\"/&gt;  <tr> <td>U-40</td> <td>"</td> <td>"</td> <td>V-675</td> <td>122</td> <td>1/2</td> <td>2900</td> <td>1\"/&gt;  <tr> <td>U-41</td> <td>"</td> <td>"</td> <td>V-675</td> <td>122</td> <td>1/2</td> <td>2900</td> <td>1\"/&gt;  <tr> <td>U-42</td> <td>"</td> <td>"</td> <td>V-675</td> <td>122</td> <td>1/2</td> <td>2900</td> <td>1\"/&gt;  <tr> <td>U-43</td> <td>"</td> <td>"</td> <td>V-675</td> <td>122</td> <td>1/2</td> <td>2900</td> <td>1\"/&gt;  <tr> <td>U-44</td> <td>"</td> <td>"</td> <td>V-675</td> <td>122</td> <td>1/2</td> <td>2900</td> <td>1\"/&gt;  <tr> <td>U-45</td> <td>"</td> <td>"</td> <td>V-675</td> <td>122</td> <td>1/2</td> <td>2900</td> <td>1\"/&gt;  <tr> <td>U-46</td> <td>"</td> <td>"</td> <td>V-675</td> <td>122</td> <td>1/2</td> <td>2900</td> <td>1\"/&gt;  <tr> <td>U-47</td> <td>"</td> <td>"</td> <td>V-675</td> <td>122</td> <td>1/2</td> <td>2900</td> <td>1\"/&gt;  <tr> <td>U-48</td> <td>"</td> <td>"</td> <td>V-675</td> <td>122</td> <td>1/2</td> <td>2900</td> <td>1\"/&gt;  <tr> <td>U-49</td> <td>"</td> <td>"</td> <td>V-675</td> <td>122</td> <td>1/2</td> <td>2900</td> <td>1\"/&gt;  <tr> <td>U-50</td> <td>"</td> <td>"</td> <td>V-675</td> <td>122</td> <td>1/2</td> <td>2900</td> <td>1\"/&gt;  </td></tr></td></tr></td></tr></td></tr></td></tr></td></tr></td></tr></td></tr></td></tr></td></tr></td></tr></td></tr></td></tr></td></tr></td></tr></td></tr></td></tr></td></tr></td></tr></td></tr></td></tr></td></tr></td></tr></td></tr></td></tr></td></tr></td></tr>   | U-24 | " | " | V-675 | 122 | 1/2 | 2900 | 1\"/> <tr> <td>U-25</td> <td>"</td> <td>"</td> <td>V-675</td> <td>122</td> <td>1/2</td> <td>2900</td> <td>1\"/&gt;  <tr> <td>U-26</td> <td>"</td> <td>"</td> <td>V-675</td> <td>122</td> <td>1/2</td> <td>2900</td> <td>1\"/&gt;  <tr> <td>U-27</td> <td>"</td> <td>"</td> <td>V-675</td> <td>122</td> <td>1/2</td> <td>2900</td> <td>1\"/&gt;  <tr> <td>U-28</td> <td>"</td> <td>"</td> <td>V-675</td> <td>122</td> <td>1/2</td> <td>2900</td> <td>1\"/&gt;  <tr> <td>U-29</td> <td>"</td> <td>"</td> <td>V-675</td> <td>122</td> <td>1/2</td> <td>2900</td> <td>1\"/&gt;  <tr> <td>U-30</td> <td>"</td> <td>"</td> <td>V-675</td> <td>122</td> <td>1/2</td> <td>2900</td> <td>1\"/&gt;  <tr> <td>U-31</td> <td>"</td> <td>"</td> <td>V-675</td> <td>122</td> <td>1/2</td> <td>2900</td> <td>1\"/&gt;  <tr> <td>U-32</td> <td>"</td> <td>"</td> <td>V-675</td> <td>122</td> <td>1/2</td> <td>2900</td> <td>1\"/&gt;  <tr> <td>U-33</td> <td>"</td> <td>"</td> <td>V-675</td> <td>122</td> <td>1/2</td> <td>2900</td> <td>1\"/&gt;  <tr> <td>U-34</td> <td>"</td> <td>"</td> <td>V-675</td> <td>122</td> <td>1/2</td> <td>2900</td> <td>1\"/&gt;  <tr> <td>U-35</td> <td>"</td> <td>"</td> <td>V-675</td> <td>122</td> <td>1/2</td> <td>2900</td> <td>1\"/&gt;  <tr> <td>U-36</td> <td>"</td> <td>"</td> <td>V-675</td> <td>122</td> <td>1/2</td> <td>2900</td> <td>1\"/&gt;  <tr> <td>U-37</td> <td>"</td> <td>"</td> <td>V-675</td> <td>122</td> <td>1/2</td> <td>2900</td> <td>1\"/&gt;  <tr> <td>U-38</td> <td>"</td> <td>"</td> <td>V-675</td> <td>122</td> <td>1/2</td> <td>2900</td> <td>1\"/&gt;  <tr> <td>U-39</td> <td>"</td> <td>"</td> <td>V-675</td> <td>122</td> <td>1/2</td> <td>2900</td> <td>1\"/&gt;  <tr> <td>U-40</td> <td>"</td> <td>"</td> <td>V-675</td> <td>122</td> <td>1/2</td> <td>2900</td> <td>1\"/&gt;  <tr> <td>U-41</td> <td>"</td> <td>"</td> <td>V-675</td> <td>122</td> <td>1/2</td> <td>2900</td> <td>1\"/&gt;  <tr> <td>U-42</td> <td>"</td> <td>"</td> <td>V-675</td> <td>122</td> <td>1/2</td> <td>2900</td> <td>1\"/&gt;  <tr> <td>U-43</td> <td>"</td> <td>"</td> <td>V-675</td> <td>122</td> <td>1/2</td> <td>2900</td> <td>1\"/&gt;  <tr> <td>U-44</td> <td>"</td> <td>"</td> <td>V-675</td> <td>122</td> <td>1/2</td> <td>2900</td> <td>1\"/&gt;  <tr> <td>U-45</td> <td>"</td> <td>"</td> <td>V-675</td> <td>122</td> <td>1/2</td> <td>2900</td> <td>1\"/&gt;  <tr> <td>U-46</td> <td>"</td> <td>"</td> <td>V-675</td> <td>122</td> <td>1/2</td> <td>2900</td> <td>1\"/&gt;  <tr> <td>U-47</td> <td>"</td> <td>"</td> <td>V-675</td> <td>122</td> <td>1/2</td> <td>2900</td> <td>1\"/&gt;  <tr> <td>U-48</td> <td>"</td> <td>"</td> <td>V-675</td> <td>122</td> <td>1/2</td> <td>2900</td> <td>1\"/&gt;  <tr> <td>U-49</td> <td>"</td> <td>"</td> <td>V-675</td> <td>122</td> <td>1/2</td> <td>2900</td> <td>1\"/&gt;  <tr> <td>U-50</td> <td>"</td> <td>"</td> <td>V-675</td> <td>122</td> <td>1/2</td> <td>2900</td> <td>1\"/&gt;  </td></tr></td></tr></td></tr></td></tr></td></tr></td></tr></td></tr></td></tr></td></tr></td></tr></td></tr></td></tr></td></tr></td></tr></td></tr></td></tr></td></tr></td></tr></td></tr></td></tr></td></tr></td></tr></td></tr></td></tr></td></tr></td></tr>   
   | U-25 | " | " | V-675 | 122 | 1/2 | 2900 | 1\"/> <tr> <td>U-26</td> <td>"</td> <td>"</td> <td>V-675</td> <td>122</td> <td>1/2</td> <td>2900</td> <td>1\"/&gt;  <tr> <td>U-27</td> <td>"</td> <td>"</td> <td>V-675</td> <td>122</td> <td>1/2</td> <td>2900</td> <td>1\"/&gt;  <tr> <td>U-28</td> <td>"</td> <td>"</td> <td>V-675</td> <td>122</td> <td>1/2</td> <td>2900</td> <td>1\"/&gt;  <tr> <td>U-29</td> <td>"</td> <td>"</td> <td>V-675</td> <td>122</td> <td>1/2</td> <td>2900</td> <td>1\"/&gt;  <tr> <td>U-30</td> <td>"</td> <td>"</td> <td>V-675</td> <td>122</td> <td>1/2</td> <td>2900</td> <td>1\"/&gt;  <tr> <td>U-31</td> <td>"</td> <td>"</td> <td>V-675</td> <td>122</td> <td>1/2</td> <td>2900</td> <td>1\"/&gt;  <tr> <td>U-32</td> <td>"</td> <td>"</td> <td>V-675</td> <td>122</td> <td>1/2</td> <td>2900</td> <td>1\"/&gt;  <tr> <td>U-33</td> <td>"</td> <td>"</td> <td>V-675</td> <td>122</td> <td>1/2</td> <td>2900</td> <td>1\"/&gt;  <tr> <td>U-34</td> <td>"</td> <td>"</td> <td>V-675</td> <td>122</td> <td>1/2</td> <td>2900</td> <td>1\"/&gt;  <tr> <td>U-35</td> <td>"</td> <td>"</td> <td>V-675</td> <td>122</td> <td>1/2</td> <td>2900</td> <td>1\"/&gt;  <tr> <td>U-36</td> <td>"</td> <td>"</td> <td>V-675</td> <td>122</td> <td>1/2</td> <td>2900</td> <td>1\"/&gt;  <tr> <td>U-37</td> <td>"</td> <td>"</td> <td>V-675</td> <td>122</td> <td>1/2</td> <td>2900</td> <td>1\"/&gt;  <tr> <td>U-38</td> <td>"</td> <td>"</td> <td>V-675</td> <td>122</td> <td>1/2</td> <td>2900</td> <td>1\"/&gt;  <tr> <td>U-39</td> <td>"</td> <td>"</td> <td>V-675</td> <td>122</td> <td>1/2</td> <td>2900</td> <td>1\"/&gt;  <tr> <td>U-40</td> <td>"</td> <td>"</td> <td>V-675</td> <td>122</td> <td>1/2</td> <td>2900</td> <td>1\"/&gt;  <tr> <td>U-41</td> <td>"</td> <td>"</td> <td>V-675</td> <td>122</td> <td>1/2</td> <td>2900</td> <td>1\"/&gt;  <tr> <td>U-42</td> <td>"</td> <td>"</td> <td>V-675</td> <td>122</td> <td>1/2</td> <td>2900</td> <td>1\"/&gt;  <tr> <td>U-43</td> <td>"</td> <td>"</td> <td>V-675</td> <td>122</td> <td>1/2</td> <td>2900</td> <td>1\"/&gt;  <tr> <td>U-44</td> <td>"</td> <td>"</td> <td>V-675</td> <td>122</td> <td>1/2</td> <td>2900</td> <td>1\"/&gt;  <tr> <td>U-45</td> <td>"</td> <td>"</td> <td>V-675</td> <td>122</td> <td>1/2</td> <td>2900</td> <td>1\"/&gt;  <tr> <td>U-46</td> <td>"</td> <td>"</td> <td>V-675</td> <td>122</td> <td>1/2</td> <td>2900</td> <td>1\"/&gt;  <tr> <td>U-47</td> <td>"</td> <td>"</td> <td>V-675</td> <td>122</td> <td>1/2</td> <td>2900</td> <td>1\"/&gt;  <tr> <td>U-48</td> <td>"</td> <td>"</td> <td>V-675</td> <td>122</td> <td>1/2</td> <td>2900</td> <td>1\"/&gt;  <tr> <td>U-49</td> <td>"</td> <td>"</td> <td>V-675</td> <td>122</td> <td>1/2</td> <td>2900</td> <td>1\"/&gt;  <tr> <td>U-50</td> <td>"</td> <td>"</td> <td>V-675</td> <td>122</td> <td>1/2</td> <td>2900</td> <td>1\"/&gt;  </td></tr></td></tr></td></tr></td></tr></td></tr></td></tr></td></tr></td></tr></td></tr></td></tr></td></tr></td></tr></td></tr></td></tr></td></tr></td></tr></td></tr></td></tr></td></tr></td></tr></td></tr></td></tr></td></tr></td></tr></td></tr>   | U-26 | " | " | V-675 | 122 | 1/2 | 2900 | 1\"/> <tr> <td>U-27</td> <td>"</td> <td>"</td> <td>V-675</td> <td>122</td> <td>1/2</td> <td>2900</td> <td>1\"/&gt;  <tr> <td>U-28</td> <td>"</td> <td>"</td> <td>V-675</td> <td>122</td> <td>1/2</td> <td>2900</td> <td>1\"/&gt;  <tr> <td>U-29</td> <td>"</td> <td>"</td> <td>V-675</td> <td>122</td> <td>1/2</td> <td>2900</td> <td>1\"/&gt;  <tr> <td>U-30</td> <td>"</td> <td>"</td> <td>V-675</td> <td>122</td> <td>1/2</td> <td>2900</td> <td>1\"/&gt;  <tr> <td>U-31</td> <td>"</td> <td>"</td> <td>V-675</td> <td>122</td> <td>1/2</td> <td>2900</td> <td>1\"/&gt;  <tr> <td>U-32</td> <td>"</td> <td>"</td> <td>V-675</td> <td>122</td> <td>1/2</td> <td>2900</td> <td>1\"/&gt;  <tr> <td>U-33</td> <td>"</td> <td>"</td> <td>V-675</td> <td>122</td> <td>1/2</td> <td>2900</td> <td>1\"/&gt;  <tr> <td>U-34</td> <td>"</td> <td>"</td> <td>V-675</td> <td>122</td> <td>1/2</td> <td>2900</td> <td>1\"/&gt;  <tr> <td>U-35</td> <td>"</td> <td>"</td> <td>V-675</td> <td>122</td> <td>1/2</td> <td>2900</td> <td>1\"/&gt;  <tr> <td>U-36</td> <td>"</td> <td>"</td> <td>V-675</td> <td>122</td> <td>1/2</td> <td>2900</td> <td>1\"/&gt;  <tr> <td>U-37</td> <td>"</td> <td>"</td> <td>V-675</td> <td>122</td> <td>1/2</td> <td>2900</td> <td>1\"/&gt;  <tr> <td>U-38</td> <td>"</td> <td>"</td> <td>V-675</td> <td>122</td> <td>1/2</td> <td>2900</td> <td>1\"/&gt;  <tr> <td>U-39</td> <td>"</td> <td>"</td> <td>V-675</td> <td>122</td> <td>1/2</td> <td>2900</td> <td>1\"/&gt;  <tr> <td>U-40</td> <td>"</td> <td>"</td> <td>V-675</td> <td>122</td> <td>1/2</td> <td>2900</td> <td>1\"/&gt;  <tr> <td>U-41</td> <td>"</td> <td>"</td> <td>V-675</td> <td>122</td> <td>1/2</td> <td>2900</td> <td>1\"/&gt;  <tr> <td>U-42</td> <td>"</td> <td>"</td> <td>V-675</td> <td>122</td> <td>1/2</td> <td>2900</td> <td>1\"/&gt;  <tr> <td>U-43</td> <td>"</td> <td>"</td> <td>V-675</td> <td>122</td> <td>1/2</td> <td>2900</td> <td>1\"/&gt;  <tr> <td>U-44</td> <td>"</td> <td>"</td> <td>V-675</td> <td>122</td> <td>1/2</td> <td>2900</td> <td>1\"/&gt;  <tr> <td>U-45</td> <td>"</td> <td>"</td> <td>V-675</td> <td>122</td> <td>1/2</td> <td>2900</td> <td>1\"/&gt;  <tr> <td>U-46</td> <td>"</td> <td>"</td> <td>V-675</td> <td>122</td> <td>1/2</td> <td>2900</td> <td>1\"/&gt;  <tr> <td>U-47</td> <td>"</td> <td>"</td> <td>V-675</td> <td>122</td> <td>1/2</td> <td>2900</td> <td>1\"/&gt;  <tr> <td>U-48</td> <td>"</td> <td>"</td> <td>V-675</td> <td>122</td> <td>1/2</td> <td>2900</td> <td>1\"/&gt;  <tr> <td>U-49</td> <td>"</td> <td>"</td> <td>V-675</td> <td>122</td> <td>1/2</td> <td>2900</td> <td>1\"/&gt;  <tr> <td>U-50</td> <td>"</td> <td>"</td> <td>V-675</td> <td>122</td> <td>1/2</td> <td>2900</td> <td>1\"/&gt;  </td></tr></td></tr></td></tr></td></tr></td></tr></td></tr></td></tr></td></tr></td></tr></td></tr></td></tr></td></tr></td></tr></td></tr></td></tr></td></tr></td></tr></td></tr></td></tr></td></tr></td></tr></td></tr></td></tr></td></tr>   | U-27 | " | " | V-675 | 122 | 1/2 | 2900 | 1\"/> <tr> <td>U-28</td> <td>"</td> <td>"</td> <td>V-675</td> <td>122</td> <td>1/2</td> <td>2900</td> <td>1\"/&gt;  <tr> <td>U-29</td> <td>"</td> <td>"</td> <td>V-675</td> <td>122</td> <td>1/2</td> <td>2900</td> <td>1\"/&gt;  <tr> <td>U-30</td> <td>"</td> <td>"</td> <td>V-675</td> <td>122</td> <td>1/2</td> <td>2900</td> <td>1\"/&gt;  <tr> <td>U-31</td> <td>"</td> <td>"</td> <td>V-675</td> <td>122</td> <td>1/2</td> <td>2900</td> <td>1\"/&gt;  <tr> <td>U-32</td> <td>"</td> <td>"</td> <td>V-675</td> <td>122</td> <td>1/2</td> <td>2900</td> <td>1\"/&gt;  <tr> <td>U-33</td> <td>"</td> <td>"</td> <td>V-675</td> <td>122</td> <td>1/2</td> <td>2900</td> <td>1\"/&gt;  <tr> <td>U-34</td> <td>"</td> <td>"</td> <td>V-675</td> <td>122</td> <td>1/2</td> <td>2900</td> <td>1\"/&gt;  <tr> <td>U-35</td> <td>"</td> <td>"</td> <td>V-675</td> <td>122</td> <td>1/2</td> <td>2900</td> <td>1\"/&gt;  <tr> <td>U-36</td> <td>"</td>
<td>"</td> <td>V-675</td> <td>122</td> <td>1/2</td> <td>2900</td> <td>1\"/&gt;  <tr> <td>U-37</td> <td>"</td> <td>"</td> <td>V-675</td> <td>122</td> <td>1/2</td> <td>2900</td> <td>1\"/&gt;  <tr> <td>U-38</td> <td>"</td> <td>"</td> <td>V-675</td> <td>122</td> <td>1/2</td> <td>2900</td> <td>1\"/&gt;  <tr> <td>U-39</td> <td>"</td> <td>"</td> <td>V-675</td> <td>122</td> <td>1/2</td> <td>2900</td> <td>1\"/&gt;  <tr> <td>U-40</td> <td>"</td> <td>"</td> <td>V-675</td> <td>122</td> <td>1/2</td> <td>2900</td> <td>1\"/&gt;  <tr> <td>U-41</td> <td>"</td> <td>"</td> <td>V-675</td> <td>122</td> <td>1/2</td> <td>2900</td> <td>1\"/&gt;  <tr> <td>U-42</td> <td>"</td> <td>"</td> <td>V-675</td> <td>122</td> <td>1/2</td> <td>2900</td> <td>1\"/&gt;  <tr> <td>U-43</td> <td>"</td> <td>"</td> <td>V-675</td> <td>122</td> <td>1/2</td> <td>2900</td> <td>1\"/&gt;  <tr> <td>U-44</td> <td>"</td> <td>"</td> <td>V-675</td> <td>122</td> <td>1/2</td> <td>2900</td> <td>1\"/&gt;  <tr> <td>U-45</td> <td>"</td> <td>"</td> <td>V-675</td> <td>122</td> <td>1/2</td> <td>2900</td> <td>1\"/&gt;  <tr> <td>U-46</td> <td>"</td> <td>"</td> <td>V-675</td> <td>122</td> <td>1/2</td> <td>2900</td> <td>1\"/&gt;  <tr> <td>U-47</td> <td>"</td> <td>"</td> <td>V-675</td> <td>122</td> <td>1/2</td> <td>2900</td> <td>1\"/&gt;  <tr> <td>U-48</td> <td>"</td> <td>"</td> <td>V-675</td> <td>122</td> <td>1/2</td> <td>2900</td> <td>1\"/&gt;  <tr> <td>U-49</td> <td>"</td> <td>"</td> <td>V-675</td> <td>122</td> <td>1/2</td> <td>2900</td> <td>1\"/&gt;  <tr> <td>U-50</td> <td>"</td> <td>"</td> <td>V-675</td> <td>122</td> <td>1/2</td> <td>2900</td> <td>1\"/&gt;  </td></tr></td></tr></td></tr></td></tr></td></tr></td></tr></td></tr></td></tr></td></tr></td></tr></td></tr></td></tr></td></tr></td></tr></td></tr></td></tr></td></tr></td></tr></td></tr></td></tr></td></tr></td></tr></td></tr>   | U-28 | " | " | V-675 | 122 | 1/2 | 2900 | 1\"/> <tr> <td>U-29</td> <td>"</td> <td>"</td> <td>V-675</td> <td>122</td> <td>1/2</td> <td>2900</td> <td>1\"/&gt;  <tr> <td>U-30</td> <td>"</td> <td>"</td> <td>V-675</td> <td>122</td> <td>1/2</td> <td>2900</td> <td>1\"/&gt;  <tr> <td>U-31</td> <td>"</td> <td>"</td> <td>V-675</td> <td>122</td> <td>1/2</td> <td>2900</td> <td>1\"/&gt;  <tr> <td>U-32</td> <td>"</td> <td>"</td> <td>V-675</td> <td>122</td> <td>1/2</td> <td>2900</td> <td>1\"/&gt;  <tr> <td>U-33</td> <td>"</td> <td>"</td> <td>V-675</td> <td>122</td> <td>1/2</td> <td>2900</td> <td>1\"/&gt;  <tr> <td>U-34</td> <td>"</td> <td>"</td> <td>V-675</td> <td>122</td> <td>1/2</td> <td>2900</td> <td>1\"/&gt;  <tr> <td>U-35</td> <td>"</td> <td>"</td> <td>V-675</td> <td>122</td> <td>1/2</td> <td>2900</td> <td>1\"/&gt;  <tr> <td>U-36</td> <td>"</td> <td>"</td> <td>V-675</td> <td>122</td> <td>1/2</td> <td>2900</td> <td>1\"/&gt;  <tr> <td>U-37</td> <td>"</td> <td>"</td> <td>V-675</td> <td>122</td> <td>1/2</td> <td>2900</td> <td>1\"/&gt;  <tr> <td>U-38</td> <td>"</td> <td>"</td> <td>V-675</td> <td>122</td> <td>1/2</td> <td>2900</td> <td>1\"/&gt;  <tr> <td>U-39</td> <td>"</td> <td>"</td> <td>V-675</td> <td>122</td> <td>1/2</td> <td>2900</td> <td>1\"/&gt;  <tr> <td>U-40</td> <td>"</td> <td>"</td> <td>V-675</td> <td>122</td> <td>1/2</td> <td>2900</td> <td>1\"/&gt;  <tr> <td>U-41</td> <td>"</td> <td>"</td> <td>V-675</td> <td>122</td> <td>1/2</td> <td>2900</td> <td>1\"/&gt;  <tr> <td>U-42</td> <td>"</td> <td>"</td> <td>V-675</td> <td>122</td> <td>1/2</td> <td>2900</td> <td>1\"/&gt;  <tr> <td>U-43</td> <td>"</td> <td>"</td> <td>V-675</td> <td>122</td> <td>1/2</td> <td>2900</td> <td>1\"/&gt;  <tr> <td>U-44</td> <td>"</td> <td>"</td> <td>V-675</td> <td>122</td> <td>1/2</td> <td>2900</td> <td>1\"/&gt;  <tr> <td>U-45</td> <td>"</td> <td>"</td> <td>V-675</td> <td>122</td> <td>1/2</td> <td>2900</td> <td>1\"/&gt;  <tr> <td>U-46</td> <td>"</td> <td>"</td> <td>V-675</td> <td>122</td> <td>1/2</td> <td>2900</td> <td>1\"/&gt;  <tr> <td>U-47</td> <td>"</td> <td>"</td> <td>V-675</td> <td>122</td> <td>1/2</td> <td>2900</td> <td>1\"/&gt;  <tr> <td>U-48</td> <td>"</td> <td>"</td> <td>V-675</td> <td>122</td> <td>1/2</td> <td>2900</td> <td>1\"/&gt;  <tr> <td>U-49</td> <td>"</td> <td>"</td> <td>V-675</td> <td>122</td> <td>1/2</td> <td>2900</td> <td>1\"/&gt;  <tr> <td>U-50</td> <td>"</td> <td>"</td> <td>V-675</td> <td>122</td> <td>1/2</td> <td>2900</td> <td>1\"/&gt;  </td></tr></td></tr></td></tr></td></tr></td></tr></td></tr></td></tr></td></tr></td></tr></td></tr></td></tr></td></tr></td></tr></td></tr></td></tr></td></tr></td></tr></td></tr></td></tr></td></tr></td></tr></td></tr>   | U-29 | " | " | V-675 | 122 | 1/2 | 2900 | 1\"/> <tr> <td>U-30</td> <td>"</td> <td>"</td> <td>V-675</td> <td>122</td> <td>1/2</td> <td>2900</td> <td>1\"/&gt;  <tr> <td>U-31</td> <td>"</td> <td>"</td> <td>V-675</td> <td>122</td> <td>1/2</td> <td>2900</td> <td>1\"/&gt;  <tr> <td>U-32</td> <td>"</td> <td>"</td> <td>V-675</td> <td>122</td> <td>1/2</td> <td>2900</td> <td>1\"/&gt;  <tr> <td>U-33</td> <td>"</td> <td>"</td> <td>V-675</td> <td>122</td> <td>1/2</td> <td>2900</td> <td>1\"/&gt;  <tr> <td>U-34</td> <td>"</td> <td>"</td> <td>V-675</td> <td>122</td> <td>1/2</td> <td>2900</td> <td>1\"/&gt;  <tr> <td>U-35</td> <td>"</td> <td>"</td> <td>V-675</td> <td>122</td> <td>1/2</td> <td>2900</td> <td>1\"/&gt;  <tr> <td>U-36</td> <td>"</td> <td>"</td> <td>V-675</td> <td>122</td> <td>1/2</td> <td>2900</td> <td>1\"/&gt;  <tr> <td>U-37</td> <td>"</td> <td>"</td> <td>V-675</td> <td>122</td> <td>1/2</td> <td>2900</td> <td>1\"/&gt;  <tr> <td>U-38</td> <td>"</td> <td>"</td> <td>V-675</td> <td>122</td> <td>1/2</td> <td>2900</td> <td>1\"/&gt;  <tr> <td>U-39</td> <td>"</td> <td>"</td> <td>V-675</td> <td>122</td> <td>1/2</td> <td>2900</td> <td>1\"/&gt;  <tr> <td>U-40</td> <td>"</td> <td>"</td> <td>V-675</td> <td>122</td> <td>1/2</td> <td>2900</td> <td>1\"/&gt;  <tr> <td>U-41</td> <td>"</td> <td>"</td> <td>V-675</td> <td>122</td> <td>1/2</td> <td>2900</td> <td>1\"/&gt;  <tr> <td>U-42</td> <td>"</td> <td>"</td> <td>V-675</td> <td>122</td> <td>1/2</td> <td>2900</td> <td>1\"/&gt;  <tr> <td>U-43</td> <td>"</td> <td>"</td> <td>V-675</td> <td>122</td> <td>1/2</td> <td>2900</td> <td>1\"/&gt;  <tr> <td>U-44</td> <td>"</td> <td>"</td> <td>V-675</td> <td>122</td> <td>1/2</td> <td>2900</td> <td>1\"/&gt;  <tr> <td>U-45</td> <td>"</td> <td>"</td> <td>V-675</td> <td>122</td> <td>1/2</td> <td>2900</td> <td>1\"/&gt;  <tr> <td>U-46</td> <td>"</td> <td>"</td> <td>V-675</td> <td>122</td> <td>1/2</td> <td>2900</td> <td>1\"/&gt;  <tr> <td>U-47</td> <td>"</td> <td>"</td> <td>V-675</td> <td>122</td> <td>1/2</td> <td>2900</td> <td>1\"/&gt;  <tr> <td>U-48</td> <td>"</td> <td>"</td> <td>V-675</td> <td>122</td> <td>1/2</td> <td>2900</td> <td>1\"/&gt;  <tr> <td>U-49</td> <td>"</td> <td>"</td> <td>V-675</td> <td>122</td> <td>1/2</td> <td>2900</td> <td>1\"/&gt;  <tr> <td>U-50</td> <td>"</td> <td>"</td> <td>V-675</td> <td>122</td> <td>1/2</td> <td>2900</td> <td>1\"/&gt;  </td></tr></td></tr></td></tr></td></tr></td></tr></td></tr></td></tr></td></tr></td></tr></td></tr></td></tr></td></tr></td></tr></td></tr></td></tr></td></tr></td></tr></td></tr></td></tr></td></tr></td></tr>   
   | U-30 | " | " | V-675 | 122 | 1/2 | 2900 | 1\"/> <tr> <td>U-31</td> <td>"</td> <td>"</td> <td>V-675</td> <td>122</td> <td>1/2</td> <td>2900</td> <td>1\"/&gt;  <tr> <td>U-32</td> <td>"</td> <td>"</td> <td>V-675</td> <td>122</td> <td>1/2</td> <td>2900</td> <td>1\"/&gt;  <tr> <td>U-33</td> <td>"</td> <td>"</td> <td>V-675</td> <td>122</td> <td>1/2</td> <td>2900</td> <td>1\"/&gt;  <tr> <td>U-34</td> <td>"</td> <td>"</td> <td>V-675</td> <td>122</td> <td>1/2</td> <td>2900</td> <td>1\"/&gt;  <tr> <td>U-35</td> <td>"</td> <td>"</td> <td>V-675</td> <td>122</td> <td>1/2</td> <td>2900</td> <td>1\"/&gt;  <tr> <td>U-36</td> <td>"</td> <td>"</td> <td>V-675</td> <td>122</td> <td>1/2</td> <td>2900</td> <td>1\"/&gt;  <tr> <td>U-37</td> <td>"</td> <td>"</td> <td>V-675</td> <td>122</td> <td>1/2</td> <td>2900</td> <td>1\"/&gt;  <tr> <td>U-38</td> <td>"</td> <td>"</td> <td>V-675</td> <td>122</td> <td>1/2</td> <td>2900</td> <td>1\"/&gt;  <tr> <td>U-39</td> <td>"</td> <td>"</td> <td>V-675</td> <td>122</td> <td>1/2</td> <td>2900</td> <td>1\"/&gt;  <tr> <td>U-40</td> <td>"</td> <td>"</td> <td>V-675</td> <td>122</td> <td>1/2</td> <td>2900</td> <td>1\"/&gt;  <tr> <td>U-41</td> <td>"</td> <td>"</td> <td>V-675</td> <td>122</td> <td>1/2</td> <td>2900</td> <td>1\"/&gt;  <tr> <td>U-42</td> <td>"</td> <td>"</td> <td>V-675</td> <td>122</td> <td>1/2</td> <td>2900</td> <td>1\"/&gt;  <tr> <td>U-43</td> <td>"</td> <td>"</td> <td>V-675</td> <td>122</td> <td>1/2</td> <td>2900</td> <td>1\"/&gt;  <tr> <td>U-44</td> <td>"</td> <td>"</td> <td>V-675</td> <td>122</td> <td>1/2</td> <td>2900</td> <td>1\"/&gt;  <tr> <td>U-45</td> <td>"</td> <td>"</td> <td>V-675</td> <td>122</td> <td>1/2</td> <td>2900</td> <td>1\"/&gt;  <tr> <td>U-46</td> <td>"</td> <td>"</td> <td>V-675</td> <td>122</td> <td>1/2</td> <td>2900</td> <td>1\"/&gt;  <tr> <td>U-47</td> <td>"</td> <td>"</td> <td>V-675</td> <td>122</td> <td>1/2</td> <td>2900</td> <td>1\"/&gt;  <tr> <td>U-48</td> <td>"</td> <td>"</td> <td>V-675</td> <td>122</td> <td>1/2</td> <td>2900</td> <td>1\"/&gt;  <tr> <td>U-49</td> <td>"</td> <td>"</td> <td>V-675</td> <td>122</td> <td>1/2</td> <td>2900</td> <td>1\"/&gt;  <tr> <td>U-50</td> <td>"</td> <td>"</td> <td>V-675</td> <td>122</td> <td>1/2</td> <td>2900</td> <td>1\"/&gt;  </td></tr></td></tr></td></tr></td></tr></td></tr></td></tr></td></tr></td></tr></td></tr></td></tr></td></tr></td></tr></td></tr></td></tr></td></tr></td></tr></td></tr></td></tr></td></tr></td></tr>   | U-31 | " | " | V-675 | 122 | 1/2 | 2900 | 1\"/> <tr> <td>U-32</td> <td>"</td> <td>"</td> <td>V-675</td> <td>122</td> <td>1/2</td> <td>2900</td> <td>1\"/&gt;  <tr> <td>U-33</td> <td>"</td> <td>"</td> <td>V-675</td> <td>122</td> <td>1/2</td> <td>2900</td> <td>1\"/&gt;  <tr> <td>U-34</td> <td>"</td> <td>"</td> <td>V-675</td> <td>122</td> <td>1/2</td> <td>2900</td> <td>1\"/&gt;  <tr> <td>U-35</td> <td>"</td> <td>"</td> <td>V-675</td> <td>122</td> <td>1/2</td> <td>2900</td> <td>1\"/&gt;  <tr> <td>U-36</td> <td>"</td> <td>"</td> <td>V-675</td> <td>122</td> <td>1/2</td> <td>2900</td> <td>1\"/&gt;  <tr> <td>U-37</td> <td>"</td> <td>"</td> <td>V-675</td> <td>122</td> <td>1/2</td> <td>2900</td> <td>1\"/&gt;  <tr> <td>U-38</td> <td>"</td> <td>"</td> <td>V-675</td> <td>122</td> <td>1/2</td> <td>2900</td> <td>1\"/&gt;  <tr> <td>U-39</td> <td>"</td> <td>"</td> <td>V-675</td> <td>122</td> <td>1/2</td> <td>2900</td> <td>1\"/&gt;  <tr> <td>U-40</td> <td>"</td> <td>"</td> <td>V-675</td> <td>122</td> <td>1/2</td> <td>2900</td> <td>1\"/&gt;  <tr> <td>U-41</td> <td>"</td> <td>"</td> <td>V-675</td> <td>122</td> <td>1/2</td> <td>2900</td> <td>1\"/&gt;  <tr> <td>U-42</td> <td>"</td> <td>"</td> <td>V-675</td> <td>122</td> <td>1/2</td> <td>2900</td> <td>1\"/&gt;  <tr> <td>U-43</td> <td>"</td> <td>"</td> <td>V-675</td> <td>122</td> <td>1/2</td> <td>2900</td> <td>1\"/&gt;  <tr> <td>U-44</td> <td>"</td> <td>"</td> <td>V-675</td> <td>122</td> <td>1/2</td> <td>2900</td> <td>1\"/&gt;  <tr> <td>U-45</td> <td>"</td> <td>"</td> <td>V-675</td> <td>122</td> <td>1/2</td> <td>2900</td> <td>1\"/&gt;  <tr> <td>U-46</td> <td>"</td> <td>"</td> <td>V-675</td> <td>122</td> <td>1/2</td> <td>2900</td> <td>1\"/&gt;  <tr> <td>U-47</td> <td>"</td> <td>"</td> <td>V-675</td> <td>122</td> <td>1/2</td> <td>2900</td> <td>1\"/&gt;  <tr> <td>U-48</td> <td>"</td> <td>"</td> <td>V-675</td> <td>122</td> <td>1/2</td> <td>2900</td> <td>1\"/&gt;  <tr> <td>U-49</td> <td>"</td> <td>"</td> <td>V-675</td> <td>122</td> <td>1/2</td> <td>2900</td> <td>1\"/&gt;  <tr> <td>U-50</td> <td>"</td> <td>"</td> <td>V-675</td> <td>122</td> <td>1/2</td> <td>2900</td> <td>1\"/&gt;  </td></tr></td></tr></td></tr></td></tr></td></tr></td></tr></td></tr></td></tr></td></tr></td></tr></td></tr></td></tr></td></tr></td></tr></td></tr></td></tr></td></tr></td></tr></td></tr>   | U-32 | " | " | V-675 | 122 | 1/2 | 2900 | 1\"/> <tr> <td>U-33</td> <td>"</td> <td>"</td> <td>V-675</td> <td>122</td> <td>1/2</td> <td>2900</td> <td>1\"/&gt;  <tr> <td>U-34</td> <td>"</td> <td>"</td> <td>V-675</td> <td>122</td> <td>1/2</td> <td>2900</td> <td>1\"/&gt;  <tr> <td>U-35</td> <td>"</td> <td>"</td> <td>V-675</td> <td>122</td> <td>1/2</td> <td>2900</td> <td>1\"/&gt;  <tr> <td>U-36</td> <td>"</td> <td>"</td> <td>V-675</td> <td>122</td> <td>1/2</td> <td>2900</td> <td>1\"/&gt;  <tr> <td>U-37</td> <td>"</td> <td>"</td> <td>V-675</td> <td>122</td> <td>1/2</td> <td>2900</td> <td>1\"/&gt;  <tr> <td>U-38</td> <td>"</td> <td>"</td> <td>V-675</td> <td>122</td> <td>1/2</td> <td>2900</td> <td>1\"/&gt;  <tr> <td>U-39</td> <td>"</td> <td>"</td> <td>V-675</td> <td>122</td> <td>1/2</td> <td>2900</td> <td>1\"/&gt;  <tr> <td>U-40</td> <td>"</td> <td>"</td> <td>V-675</td> <td>122</td> <td>1/2</td> <td>2900</td> <td>1\"/&gt;  <tr> <td>U-41</td> <td>"</td> <td>"</td> <td>V-675</td> <td>122</td> <td>1/2</td> <td>2900</td> <td>1\"/&gt;  <tr> <td>U-42</td> <td>"</td> <td>"</td> <td>V-675</td> <td>122</td> <td>1/2</td> <td>2900</td> <td>1\"/&gt;  <tr> <td>U-43</td> <td>"</td> <td>"</td> <td>V-675</td> <td>122</td> <td>1/2</td> <td>2900</td> <td>1\"/&gt;  <tr> <td>U-44</td> <td>"</td> <td>"</td> <td>V-675</td> <td>122</td> <td>1/2</td> <td>2900</td> <td>1\"/&gt;  <tr> <td>U-45</td> <td>"</td> <td>"</td> <td>V-675</td> <td>122</td> <td>1/2</td> <td>2900</td> <td>1\"/&gt;  <tr> <td>U-46</td> <td>"</td> <td>"</td> <td>V-675</td> <td>122</td> <td>1/2</td> <td>2900</td> <td>1\"/&gt;  <tr> <td>U-47</td> <td>"</td> <td>"</td> <td>V-675</td> <td>122</td> <td>1/2</td> <td>2900</td> <td>1\"/&gt;  <tr> <td>U-48</td> <td>"</td> <td>"</td> <td>V-675</td> <td>122</td> <td>1/2</td> <td>2900</td> <td>1\"/&gt;  <tr> <td>U-49</td> <td>"</td> <td>"</td> <td>V-675</td> <td>122</td> <td>1/2</td> <td>2900</td> <td>1\"/&gt;  <tr> <td>U-50</td> <td>"</td> <td>"</td> <td>V-675</td> <td>122</td> <td>1/2</td> <td>2900</td> <td>1\"/&gt;  </td></tr></td></tr></td></tr></td></tr></td></tr></td></tr></td></tr></td></tr></td></tr></td></tr></td></tr></td></tr></td></tr></td></tr></td></tr></td></tr></td></tr></td></tr>  
  | U-33 | " | " | V-675 | 122 | 1/2 | 2900 | 1\"/> <tr> <td>U-34</td> <td>"</td> <td>"</td> <td>V-675</td> <td>122</td> <td>1/2</td> <td>2900</td> <td>1\"/&gt;  <tr> <td>U-35</td> <td>"</td> <td>"</td> <td>V-675</td> <td>122</td> <td>1/2</td> <td>2900</td> <td>1\"/&gt;  <tr> <td>U-36</td> <td>"</td> <td>"</td> <td>V-675</td> <td>122</td> <td>1/2</td> <td>2900</td> <td>1\"/&gt;  <tr> <td>U-37</td> <td>"</td> <td>"</td> <td>V-675</td> <td>122</td> <td>1/2</td> <td>2900</td> <td>1\"/&gt;  <tr> <td>U-38</td> <td>"</td> <td>"</td> <td>V-675</td> <td>122</td> <td>1/2</td> <td>2900</td> <td>1\"/&gt;  <tr> <td>U-39</td> <td>"</td> <td>"</td> <td>V-675</td> <td>122</td> <td>1/2</td> <td>2900</td> <td>1\"/&gt;  <tr> <td>U-40</td> <td>"</td> <td>"</td> <td>V-675</td> <td>122</td> <td>1/2</td> <td>2900</td> <td>1\"/&gt;  <tr> <td>U-41</td> <td>"</td> <td>"</td> <td>V-675</td> <td>122</td> <td>1/2</td> <td>2900</td> <td>1\"/&gt;  <tr> <td>U-42</td> <td>"</td> <td>"</td> <td>V-675</td> <td>122</td> <td>1/2</td> <td>2900</td> <td>1\"/&gt;  <tr> <td>U-43</td> <td>"</td> <td>"</td> <td>V-675</td> <td>122</td> <td>1/2</td> <td>2900</td> <td>1\"/&gt;  <tr> <td>U-44</td> <td>"</td> <td>"</td> <td>V-675</td> <td>122</td> <td>1/2</td> <td>2900</td> <td>1\"/&gt;  <tr> <td>U-45</td> <td>"</td> <td>"</td> <td>V-675</td> <td>122</td> <td>1/2</td> <td>2900</td> <td>1\"/&gt;  <tr> <td>U-46</td> <td>"</td> <td>"</td> <td>V-675</td> <td>122</td> <td>1/2</td> <td>2900</td> <td>1\"/&gt;  <tr> <td>U-47</td> <td>"</td> <td>"</td> <td>V-675</td> <td>122</td> <td>1/2</td> <td>2900</td> <td>1\"/&gt;  <tr> <td>U-48</td> <td>"</td> <td>"</td> <td>V-675</td> <td>122</td> <td>1/2</td> <td>2900</td> <td>1\"/&gt;  <tr> <td>U-49</td> <td>"</td> <td>"</td> <td>V-675</td> <td>122</td> <td>1/2</td> <td>2900</td> <td>1\"/&gt;  <tr> <td>U-50</td> <td>"</td> <td>"</td> <td>V-675</td> <td>122</td> <td>1/2</td> <td>2900</td> <td>1\"/&gt;  </td></tr></td></tr></td></tr></td></tr></td></tr></td></tr></td></tr></td></tr></td></tr></td></tr></td></tr></td></tr></td></tr></td></tr></td></tr></td></tr></td></tr>   | U-34 | " | " | V-675 | 122 | 1/2 | 2900 | 1\"/> <tr> <td>U-35</td> <td>"</td> <td>"</td> <td>V-675</td> <td>122</td> <td>1/2</td> <td>2900</td> <td>1\"/&gt;  <tr> <td>U-36</td> <td>"</td> <td>"</td> <td>V-675</td> <td>122</td> <td>1/2</td> <td>2900</td> <td>1\"/&gt;  <tr> <td>U-37</td> <td>"</td> <td>"</td> <td>V-675</td> <td>122</td> <td>1/2</td> <td>2900</td> <td>1\"/&gt;  <tr> <td>U-38</td> <td>"</td> <td>"</td> <td>V-675</td> <td>122</td> <td>1/2</td> <td>2900</td> <td>1\"/&gt;  <tr> <td>U-39</td> <td>"</td> <td>"</td> <td>V-675</td> <td>122</td> <td>1/2</td> <td>2900</td> <td>1\"/&gt;  <tr> <td>U-40</td> <td>"</td> <td>"</td> <td>V-675</td> <td>122</td> <td>1/2</td> <td>2900</td> <td>1\"/&gt;  <tr> <td>U-41</td> <td>"</td> <td>"</td> <td>V-675</td> <td>122</td> <td>1/2</td> <td>2900</td> <td>1\"/&gt;  <tr> <td>U-42</td> <td>"</td> <td>"</td> <td>V-675</td> <td>122</td> <td>1/2</td> <td>2900</td> <td>1\"/&gt;  <tr> <td>U-43</td> <td>"</td> <td>"</td> <td>V-675</td> <td>122</td> <td>1/2</td> <td>2900</td> <td>1\"/&gt;  <tr> <td>U-44</td> <td>"</td> <td>"</td> <td>V-675</td> <td>122</td> <td>1/2</td> <td>2900</td> <td>1\"/&gt;  <tr> <td>U-45</td> <td>"</td> <td>"</td> <td>V-675</td> <td>122</td> <td>1/2</td> <td>2900</td> <td>1\"/&gt;  <tr> <td>U-46</td> <td>"</td> <td>"</td> <td>V-675</td> <td>122</td> <td>1/2</td> <td>2900</td> <td>1\"/&gt;  <tr> <td>U-47</td> <td>"</td> <td>"</td> <td>V-675</td> <td>122</td> <td>1/2</td> <td>2900</td> <td>1\"/&gt;  <tr> <td>U-48</td> <td>"</td> <td>"</td> <td>V-675</td> <td>122</td> <td>1/2</td> <td>2900</td> <td>1\"/&gt;  <tr> <td>U-49</td> <td>"</td> <td>"</td> <td>V-675</td> <td>122</td> <td>1/2</td> <td>2900</td> <td>1\"/&gt;  <tr> <td>U-50</td> <td>"</td> <td>"</td> <td>V-675</td> <td>122</td> <td>1/2</td> <td>2900</td> <td>1\"/&gt;  </td></tr></td></tr></td></tr></td></tr></td></tr></td></tr></td></tr></td></tr></td></tr></td></tr></td></tr></td></tr></td></tr></td></tr></td></tr></td></tr>   | U-35 | " | " | V-675 | 122 | 1/2 | 2900 | 1\"/> <tr> <td>U-36</td> <td>"</td> <td>"</td> <td>V-675</td> <td>122</td> <td>1/2</td> <td>2900</td> <td>1\"/&gt;  <tr> <td>U-37</td> <td>"</td> <td>"</td> <td>V-675</td> <td>122</td> <td>1/2</td> <td>2900</td> <td>1\"/&gt;  <tr> <td>U-38</td> <td>"</td> <td>"</td> <td>V-675</td> <td>122</td> <td>1/2</td> <td>2900</td> <td>1\"/&gt;  <tr> <td>U-39</td> <td>"</td> <td>"</td> <td>V-675</td> <td>122</td> <td>1/2</td> <td>2900</td> <td>1\"/&gt;  <tr> <td>U-40</td> <td>"</td> <td>"</td> <td>V-675</td> <td>122</td> <td>1/2</td> <td>2900</td> <td>1\"/&gt;  <tr> <td>U-41</td> <td>"</td> <td>"</td> <td>V-675</td> <td>122</td> <td>1/2</td> <td>2900</td> <td>1\"/&gt;  <tr> <td>U-42</td> <td>"</td> <td>"</td> <td>V-675</td> <td>122</td> <td>1/2</td> <td>2900</td> <td>1\"/&gt;  <tr> <td>U-43</td> <td>"</td> <td>"</td> <td>V-675</td> <td>122</td> <td>1/2</td> <td>2900</td> <td>1\"/&gt;  <tr> <td>U-44</td> <td>"</td> <td>"</td> <td>V-675</td> <td>122</td> <td>1/2</td> <td>2900</td> <td>1\"/&gt;  <tr> <td>U-45</td> <td>"</td> <td>"</td> <td>V-675</td> <td>122</td> <td>1/2</td> <td>2900</td> <td>1\"/&gt;  <tr> <td>U-46</td> <td>"</td> <td>"</td> <td>V-675</td> <td>122</td> <td>1/2</td> <td>2900</td> <td>1\"/&gt;  <tr> <td>U-47</td> <td>"</td> <td>"</td> <td>V-675</td> <td>122</td> <td>1/2</td> <td>2900</td> <td>1\"/&gt;  <tr> <td>U-48</td> <td>"</td> <td>"</td> <td>V-675</td> <td>122</td> <td>1/2</td> <td>2900</td> <td>1\"/&gt;  <tr> <td>U-49</td> <td>"</td> <td>"</td> <td>V-675</td> <td>122</td> <td>1/2</td> <td>2900</td> <td>1\"/&gt;  <tr> <td>U-50</td> <td>"</td> <td>"</td> <td>V-675</td> <td>122</td> <td>1/2</td> <td>2900</td> <td>1\"/&gt;  </td></tr></td></tr></td></tr></td></tr></td></tr></td></tr></td></tr></td></tr></td></tr></td></tr></td></tr></td></tr></td></tr></td></tr></td></tr>   | U-36 | " | " | V-675 | 122 | 1/2 | 2900 | 1\"/> <tr> <td>U-37</td> <td>"</td> <td>"</td> <td>V-675</td> <td>122</td> <td>1/2</td> <td>2900</td> <td>1\"/&gt;  <tr> <td>U-38</td> <td>"</td> <td>"</td> <td>V-675</td> <td>122</td> <td>1/2</td> <td>2900</td>
<td>1\"/&gt;  <tr> <td>U-39</td> <td>"</td> <td>"</td> <td>V-675</td> <td>122</td> <td>1/2</td> <td>2900</td> <td>1\"/&gt;  <tr> <td>U-40</td> <td>"</td> <td>"</td> <td>V-675</td> <td>122</td> <td>1/2</td> <td>2900</td> <td>1\"/&gt;  <tr> <td>U-41</td> <td>"</td> <td>"</td> <td>V-675</td> <td>122</td> <td>1/2</td> <td>2900</td> <td>1\"/&gt;  <tr> <td>U-42</td> <td>"</td> <td>"</td> <td>V-675</td> <td>122</td> <td>1/2</td> <td>2900</td> <td>1\"/&gt;  <tr> <td>U-43</td> <td>"</td> <td>"</td> <td>V-675</td> <td>122</td> <td>1/2</td> <td>2900</td> <td>1\"/&gt;  <tr> <td>U-44</td> <td>"</td> <td>"</td> <td>V-675</td> <td>122</td> <td>1/2</td> <td>2900</td> <td>1\"/&gt;  <tr> <td>U-45</td> <td>"</td> <td>"</td> <td>V-675</td> <td>122</td> <td>1/2</td> <td>2900</td> <td>1\"/&gt;  <tr> <td>U-46</td> <td>"</td> <td>"</td> <td>V-675</td> <td>122</td> <td>1/2</td> <td>2900</td> <td>1\"/&gt;  <tr> <td>U-47</td> <td>"</td> <td>"</td> <td>V-675</td> <td>122</td> <td>1/2</td> <td>2900</td> <td>1\"/&gt;  <tr> <td>U-48</td> <td>"</td> <td>"</td> <td>V-675</td> <td>122</td> <td>1/2</td> <td>2900</td> <td>1\"/&gt;  <tr> <td>U-49</td> <td>"</td> <td>"</td> <td>V-675</td> <td>122</td> <td>1/2</td> <td>2900</td> <td>1\"/&gt;  <tr> <td>U-50</td> <td>"</td> <td>"</td> <td>V-675</td> <td>122</td> <td>1/2</td> <td>2900</td> <td>1\"/&gt;  </td></tr></td></tr></td></tr></td></tr></td></tr></td></tr></td></tr></td></tr></td></tr></td></tr></td></tr></td></tr></td></tr></td></tr>   | U-37 | " | " | V-675 | 122 | 1/2 | 2900 | 1\"/> <tr> <td>U-38</td> <td>"</td> <td>"</td> <td>V-675</td> <td>122</td> <td>1/2</td> <td>2900</td> <td>1\"/&gt;  <tr> <td>U-39</td> <td>"</td> <td>"</td> <td>V-675</td> <td>122</td> <td>1/2</td> <td>2900</td> <td>1\"/&gt;  <tr> <td>U-40</td> <td>"</td> <td>"</td> <td>V-675</td> <td>122</td> <td>1/2</td> <td>2900</td> <td>1\"/&gt;  <tr> <td>U-41</td> <td>"</td> <td>"</td> <td>V-675</td> <td>122</td> <td>1/2</td> <td>2900</td> <td>1\"/&gt;  <tr> <td>U-42</td> <td>"</td> <td>"</td> <td>V-675</td> <td>122</td> <td>1/2</td> <td>2900</td> <td>1\"/&gt;  <tr> <td>U-43</td> <td>"</td> <td>"</td> <td>V-675</td> <td>122</td> <td>1/2</td> <td>2900</td> <td>1\"/&gt;  <tr> <td>U-44</td> <td>"</td> <td>"</td> <td>V-675</td> <td>122</td> <td>1/2</td> <td>2900</td> <td>1\"/&gt;  <tr> <td>U-45</td> <td>"</td> <td>"</td> <td>V-675</td> <td>122</td> <td>1/2</td> <td>2900</td> <td>1\"/&gt;  <tr> <td>U-46</td> <td>"</td> <td>"</td> <td>V-675</td> <td>122</td> <td>1/2</td> <td>2900</td> <td>1\"/&gt;  <tr> <td>U-47</td> <td>"</td> <td>"</td> <td>V-675</td> <td>122</td> <td>1/2</td> <td>2900</td> <td>1\"/&gt;  <tr> <td>U-48</td> <td>"</td> <td>"</td> <td>V-675</td> <td>122</td> <td>1/2</td> <td>2900</td> <td>1\"/&gt;  <tr> <td>U-49</td> <td>"</td> <td>"</td> <td>V-675</td> <td>122</td> <td>1/2</td> <td>2900</td> <td>1\"/&gt;  <tr> <td>U-50</td> <td>"</td> <td>"</td> <td>V-675</td> <td>122</td> <td>1/2</td> <td>2900</td> <td>1\"/&gt;  </td></tr></td></tr></td></tr></td></tr></td></tr></td></tr></td></tr></td></tr></td></tr></td></tr></td></tr></td></tr></td></tr>   | U-38 | " | " | V-675 | 122 | 1/2 | 2900 | 1\"/> <tr> <td>U-39</td> <td>"</td> <td>"</td> <td>V-675</td> <td>122</td> <td>1/2</td> <td>2900</td> <td>1\"/&gt;  <tr> <td>U-40</td> <td>"</td> <td>"</td> <td>V-675</td> <td>122</td> <td>1/2</td> <td>2900</td> <td>1\"/&gt;  <tr> <td>U-41</td> <td>"</td> <td>"</td> <td>V-675</td> <td>122</td> <td>1/2</td> <td>2900</td> <td>1\"/&gt;  <tr> <td>U-42</td> <td>"</td> <td>"</td> <td>V-675</td> <td>122</td> <td>1/2</td> <td>2900</td> <td>1\"/&gt;  <tr> <td>U-43</td> <td>"</td> <td>"</td> <td>V-675</td> <td>122</td> <td>1/2</td> <td>2900</td> <td>1\"/&gt;  <tr> <td>U-44</td> <td>"</td> <td>"</td> <td>V-675</td> <td>122</td> <td>1/2</td> <td>2900</td> <td>1\"/&gt;  <tr> <td>U-45</td> <td>"</td> <td>"</td> <td>V-675</td> <td>122</td> <td>1/2</td> <td>2900</td> <td>1\"/&gt;  <tr> <td>U-46</td> <td>"</td> <td>"</td> <td>V-675</td> <td>122</td> <td>1/2</td> <td>2900</td> <td>1\"/&gt;  <tr> <td>U-47</td> <td>"</td> <td>"</td> <td>V-675</td> <td>122</td> <td>1/2</td> <td>2900</td> <td>1\"/&gt;  <tr> <td>U-48</td> <td>"</td> <td>"</td> <td>V-675</td> <td>122</td> <td>1/2</td> <td>2900</td> <td>1\"/&gt;  <tr> <td>U-49</td> <td>"</td> <td>"</td> <td>V-675</td> <td>122</td> <td>1/2</td> <td>2900</td> <td>1\"/&gt;  <tr> <td>U-50</td> <td>"</td> <td>"</td> <td>V-675</td> <td>122</td> <td>1/2</td> <td>2900</td> <td>1\"/&gt;  </td></tr></td></tr></td></tr></td></tr></td></tr></td></tr></td></tr></td></tr></td></tr></td></tr></td></tr></td></tr>   | U-39 | " | " | V-675 | 122 | 1/2 | 2900 | 1\"/> <tr> <td>U-40</td> <td>"</td> <td>"</td> <td>V-675</td> <td>122</td> <td>1/2</td> <td>2900</td> <td>1\"/&gt;  <tr> <td>U-41</td> <td>"</td> <td>"</td> <td>V-675</td> <td>122</td> <td>1/2</td> <td>2900</td> <td>1\"/&gt;  <tr> <td>U-42</td> <td>"</td> <td>"</td> <td>V-675</td> <td>122</td> <td>1/2</td> <td>2900</td> <td>1\"/&gt;  <tr> <td>U-43</td> <td>"</td> <td>"</td> <td>V-675</td> <td>122</td> <td>1/2</td> <td>2900</td> <td>1\"/&gt;  <tr> <td>U-44</td> <td>"</td> <td>"</td> <td>V-675</td> <td>122</td> <td>1/2</td> <td>2900</td> <td>1\"/&gt;  <tr> <td>U-45</td> <td>"</td> <td>"</td> <td>V-675</td> <td>122</td> <td>1/2</td> <td>2900</td> <td>1\"/&gt;  <tr> <td>U-46</td> <td>"</td> <td>"</td> <td>V-675</td> <td>122</td> <td>1/2</td> <td>2900</td> <td>1\"/&gt;  <tr> <td>U-47</td> <td>"</td> <td>"</td> <td>V-675</td> <td>122</td> <td>1/2</td> <td>2900</td> <td>1\"/&gt;  <tr> <td>U-48</td> <td>"</td> <td>"</td> <td>V-675</td> <td>122</td> <td>1/2</td> <td>2900</td> <td>1\"/&gt;  <tr> <td>U-49</td> <td>"</td> <td>"</td> <td>V-675</td> <td>122</td> <td>1/2</td> <td>2900</td> <td>1\"/&gt;  <tr> <td>U-50</td> <td>"</td> <td>"</td> <td>V-675</td> <td>122</td> <td>1/2</td> <td>2900</td> <td>1\"/&gt;  </td></tr></td></tr></td></tr></td></tr></td></tr></td></tr></td></tr></td></tr></td></tr></td></tr></td></tr>  
  | U-40 | " | " | V-675 | 122 | 1/2 | 2900 | 1\"/> <tr> <td>U-41</td> <td>"</td> <td>"</td> <td>V-675</td> <td>122</td> <td>1/2</td> <td>2900</td> <td>1\"/&gt;  <tr> <td>U-42</td> <td>"</td> <td>"</td> <td>V-675</td> <td>122</td> <td>1/2</td> <td>2900</td> <td>1\"/&gt;  <tr> <td>U-43</td> <td>"</td> <td>"</td> <td>V-675</td> <td>122</td> <td>1/2</td> <td>2900</td> <td>1\"/&gt;  <tr> <td>U-44</td> <td>"</td> <td>"</td> <td>V-675</td> <td>122</td> <td>1/2</td> <td>2900</td> <td>1\"/&gt;  <tr> <td>U-45</td> <td>"</td> <td>"</td> <td>V-675</td> <td>122</td> <td>1/2</td> <td>2900</td> <td>1\"/&gt;  <tr> <td>U-46</td> <td>"</td> <td>"</td> <td>V-675</td> <td>122</td> <td>1/2</td> <td>2900</td> <td>1\"/&gt;  <tr> <td>U-47</td> <td>"</td> <td>"</td> <td>V-675</td> <td>122</td> <td>1/2</td> <td>2900</td> <td>1\"/&gt;  <tr> <td>U-48</td> <td>"</td> <td>"</td> <td>V-675</td> <td>122</td> <td>1/2</td> <td>2900</td> <td>1\"/&gt;  <tr> <td>U-49</td> <td>"</td> <td>"</td> <td>V-675</td> <td>122</td> <td>1/2</td> <td>2900</td> <td>1\"/&gt;  <tr> <td>U-50</td> <td>"</td> <td>"</td> <td>V-675</td> <td>122</td> <td>1/2</td> <td>2900</td> <td>1\"/&gt;  </td></tr></td></tr></td></tr></td></tr></td></tr></td></tr></td></tr></td></tr></td></tr></td></tr>   | U-41 | " | " | V-675 | 122 | 1/2 | 2900 | 1\"/> <tr> <td>U-42</td> <td>"</td> <td>"</td> <td>V-675</td> <td>122</td> <td>1/2</td> <td>2900</td> <td>1\"/&gt;  <tr> <td>U-43</td> <td>"</td> <td>"</td> <td>V-675</td> <td>122</td> <td>1/2</td> <td>2900</td> <td>1\"/&gt;  <tr> <td>U-44</td> <td>"</td> <td>"</td> <td>V-675</td> <td>122</td> <td>1/2</td> <td>2900</td> <td>1\"/&gt;  <tr> <td>U-45</td> <td>"</td> <td>"</td> <td>V-675</td> <td>122</td> <td>1/2</td> <td>2900</td> <td>1\"/&gt;  <tr> <td>U-46</td> <td>"</td> <td>"</td> <td>V-675</td> <td>122</td> <td>1/2</td> <td>2900</td> <td>1\"/&gt;  <tr> <td>U-47</td> <td>"</td> <td>"</td> <td>V-675</td> <td>122</td> <td>1/2</td> <td>2900</td> <td>1\"/&gt;  <tr> <td>U-48</td> <td>"</td> <td>"</td> <td>V-675</td> <td>122</td> <td>1/2</td> <td>2900</td> <td>1\"/&gt;  <tr> <td>U-49</td> <td>"</td> <td>"</td> <td>V-675</td> <td>122</td> <td>1/2</td> <td>2900</td> <td>1\"/&gt;  <tr> <td>U-50</td> <td>"</td> <td>"</td> <td>V-675</td> <td>122</td> <td>1/2</td> <td>2900</td> <td>1\"/&gt;  </td></tr></td></tr></td></tr></td></tr></td></tr></td></tr></td></tr></td></tr></td></tr>   | U-42 | " | " | V-675 | 122 | 1/2 | 2900 | 1\"/> <tr> <td>U-43</td> <td>"</td> <td>"</td> <td>V-675</td> <td>122</td> <td>1/2</td> <td>2900</td> <td>1\"/&gt;  <tr> <td>U-44</td> <td>"</td> <td>"</td> <td>V-675</td> <td>122</td> <td>1/2</td> <td>2900</td> <td>1\"/&gt;  <tr> <td>U-45</td> <td>"</td> <td>"</td> <td>V-675</td> <td>122</td> <td>1/2</td> <td>2900</td> <td>1\"/&gt;  <tr> <td>U-46</td> <td>"</td> <td>"</td> <td>V-675</td> <td>122</td> <td>1/2</td> <td>2900</td> <td>1\"/&gt;  <tr> <td>U-47</td> <td>"</td> <td>"</td> <td>V-675</td> <td>122</td> <td>1/2</td> <td>2900</td> <td>1\"/&gt;  <tr> <td>U-48</td> <td>"</td> <td>"</td> <td>V-675</td> <td>122</td> <td>1/2</td> <td>2900</td> <td>1\"/&gt;  <tr> <td>U-49</td> <td>"</td> <td>"</td> <td>V-675</td> <td>122</td> <td>1/2</td> <td>2900</td> <td>1\"/&gt;  <tr> <td>U-50</td> <td>"</td> <td>"</td> <td>V-675</td> <td>122</td> <td>1/2</td> <td>2900</td> <td>1\"/&gt;  </td></tr></td></tr></td></tr></td></tr></td></tr></td></tr></td></tr></td></tr>   | U-43 | " | " | V-675 | 122 | 1/2 | 2900 | 1\"/> <tr> <td>U-44</td> <td>"</td> <td>"</td> <td>V-675</td> <td>122</td> <td>1/2</td> <td>2900</td> <td>1\"/&gt;  <tr> <td>U-45</td> <td>"</td> <td>"</td> <td>V-675</td> <td>122</td> <td>1/2</td> <td>2900</td> <td>1\"/&gt;  <tr> <td>U-46</td> <td>"</td> <td>"</td> <td>V-675</td> <td>122</td> <td>1/2</td> <td>2900</td> <td>1\"/&gt;  <tr> <td>U-47</td> <td>"</td> <td>"</td> <td>V-675</td> <td>122</td> <td>1/2</td> <td>2900</td> <td>1\"/&gt;  <tr> <td>U-48</td> <td>"</td> <td>"</td> <td>V-675</td> <td>122</td> <td>1/2</td> <td>2900</td> <td>1\"/&gt;  <tr> <td>U-49</td> <td>"</td> <td>"</td> <td>V-675</td> <td>122</td> <td>1/2</td> <td>2900</td> <td>1\"/&gt;  <tr> <td>U-50</td> <td>"</td> <td>"</td> <td>V-675</td> <td>122</td> <td>1/2</td> <td>2900</td> <td>1\"/&gt;  </td></tr></td></tr></td></tr></td></tr></td></tr></td></tr></td></tr>   | U-44 | " | " | V-675 | 122 | 1/2 | 2900 | 1\"/> <tr> <td>U-45</td> <td>"</td> <td>"</td> <td>V-675</td> <td>122</td> <td>1/2</td> <td>2900</td> <td>1\"/&gt;  <tr> <td>U-46</td> <td>"</td> <td>"</td> <td>V-675</td> <td>122</td> <td>1/2</td> <td>2900</td> <td>1\"/&gt;  <tr> <td>U-47</td> <td>"</td> <td>"</td> <td>V-675</td> <td>122</td> <td>1/2</td> <td>2900</td> <td>1\"/&gt;  <tr> <td>U-48</td> <td>"</td> <td>"</td> <td>V-675</td> <td>122</td> <td>1/2</td> <td>2900</td> <td>1\"/&gt;  <tr> <td>U-49</td> <td>"</td> <td>"</td> <td>V-675</td> <td>122</td> <td>1/2</td> <td>2900</td> <td>1\"/&gt;  <tr> <td>U-50</td> <td>"</td> <td>"</td> <td>V-675</td> <td>122</td> <td>1/2</td> <td>2900</td> <td>1\"/&gt;  </td></tr></td></tr></td></tr></td></tr></td></tr></td></tr>   
   | U-45 | " | " | V-675 | 122 | 1/2 | 2900 | 1\"/> <tr> <td>U-46</td> <td>"</td> <td>"</td> <td>V-675</td> <td>122</td> <td>1/2</td> <td>2900</td> <td>1\"/&gt;  <tr> <td>U-47</td> <td>"</td> <td>"</td> <td>V-675</td> <td>122</td> <td>1/2</td> <td>2900</td> <td>1\"/&gt;  <tr> <td>U-48</td> <td>"</td> <td>"</td> <td>V-675</td> <td>122</td> <td>1/2</td> <td>2900</td> <td>1\"/&gt;  <tr> <td>U-49</td> <td>"</td> <td>"</td> <td>V-675</td> <td>122</td> <td>1/2</td> <td>2900</td> <td>1\"/&gt;  <tr> <td>U-50</td> <td>"</td> <td>"</td> <td>V-675</td> <td>122</td> <td>1/2</td> <td>2900</td> <td>1\"/&gt;  </td></tr></td></tr></td></tr></td></tr></td></tr>   | U-46 | " | " | V-675 | 122 | 1/2 | 2900 | 1\"/> <tr> <td>U-47</td> <td>"</td> <td>"</td> <td>V-675</td> <td>122</td> <td>1/2</td> <td>2900</td> <td>1\"/&gt;  <tr> <td>U-48</td> <td>"</td> <td>"</td> <td>V-675</td> <td>122</td> <td>1/2</td> <td>2900</td> <td>1\"/&gt;  <tr> <td>U-49</td> <td>"</td> <td>"</td> <td>V-675</td> <td>122</td> <td>1/2</td> <td>2900</td> <td>1\"/&gt;  <tr> <td>U-50</td> <td>"</td> <td>"</td> <td>V-675</td> <td>122</td> <td>1/2</td> <td>2900</td> <td>1\"/&gt;  </td></tr></td></tr></td></tr></td></tr>   | U-47 | " | " | V-675 | 122 | 1/2 | 2900 | 1\"/> <tr> <td>U-48</td> <td>"</td> <td>"</td> <td>V-675</td> <td>122</td> <td>1/2</td> <td>2900</td> <td>1\"/&gt;  <tr> <td>U-49</td> <td>"</td> <td>"</td> <td>V-675</td> <td>122</td> <td>1/2</td> <td>2900</td> <td>1\"/&gt;  <tr> <td>U-50</td> <td>"</td> <td>"</td> <td>V-675</td> <td>122</td> <td>1/2</td> <td>2900</td> <td>1\"/&gt;  </td></tr></td></tr></td></tr>   | U-48 | " | " | V-675 | 122 | 1/2 | 2900 | 1\"/> <tr> <td>U-49</td> <td>"</td> <td>"</td> <td>V-675</td> <td>122</td> <td>1/2</td> <td>2900</td> <td>1\"/&gt;  <tr> <td>U-50</td> <td>"</td> <td>"</td> <td>V-675</td> <td>122</td> <td>1/2</td> <td>2900</td> <td>1\"/&gt;  </td></tr></td></tr>   | U-49 | " | " | V-675 | 122 | 1/2 | 2900 | 1\"/> <tr> <td>U-50</td> <td>"</td> <td>"</td> <td>V-675</td> <td>122</td> <td>1/2</td> <td>2900</td> <td>1\"/&gt;  </td></tr>   | U-50 | " | " | V-675 | 122 | 1/2 | 2900 | 1\"/>  |      |   |   |       |     |     |      |   
  |      |   |   |       |     |     |      |  |      |   |   |       |     |     |      |  |      |   |   |       |     |     |      |  |      |   |   |       |     |     |      |  |      |   |   |       |     |     |      |  |      |   |   |       |     |     |      |  |      |   |   |       |     |     |      |  |      |   |   |       |     |     |      |       |
| U-5  | "             | "                       | V-675    | 122  | 1/2           | 2900    | 1\"/> <tr> <td>U-6</td> <td>"</td> <td>"</td> <td>V-675</td> <td>122</td> <td>1/2</td> <td>2900</td> <td>1\"/&gt;  <tr> <td>U-7</td> <td>"</td> <td>"</td> <td>V-675</td> <td>122</td> <td>1/2</td> <td>2900</td> <td>1\"/&gt;  <tr> <td>U-8</td> <td>"</td> <td>"</td> <td>V-675</td> <td>122</td> <td>1/2</td> <td>2900</td> <td>1\"/&gt;  <tr> <td>U-9</td> <td>"</td> <td>"</td> <td>V-675</td> <td>122</td> <td>1/2</td> <td>2900</td> <td>1\"/&gt;  <tr> <td>U-10</td> <td>"</td> <td>"</td> <td>V-675</td> <td>122</td> <td>1/2</td> <td>2900</td> <td>1\"/&gt;  <tr> <td>U-11</td> <td>"</td> <td>"</td> <td>V-675</td> <td>122</td> <td>1/2</td> <td>2900</td> <td>1\"/&gt;  <tr> <td>U-12</td> <td>"</td> <td>"</td> <td>V-675</td> <td>122</td> <td>1/2</td> <td>2900</td> <td>1\"/&gt;  <tr> <td>U-13</td> <td>"</td> <td>"</td> <td>V-675</td> <td>122</td> <td>1/2</td> <td>2900</td> <td>1\"/&gt;  <tr> <td>U-14</td> <td>"</td> <td>"</td> <td>V-675</td> <td>122</td> <td>1/2</td> <td>2900</td> <td>1\"/&gt;  <tr> <td>U-15</td> <td>"</td> <td>"</td> <td>V-675</td> <td>122</td> <td>1/2</td> <td>2900</td> <td>1\"/&gt;  <tr> <td>U-16</td> <td>"</td> <td>"</td> <td>V-675</td> <td>122</td> <td>1/2</td> <td>2900</td> <td>1\"/&gt;  <tr> <td>U-17</td> <td>"</td> <td>"</td> <td>V-675</td> <td>122</td> <td>1/2</td> <td>2900</td> <td>1\"/&gt;  <tr> <td>U-18</td> <td>"</td> <td>"</td> <td>V-675</td> <td>122</td> <td>1/2</td> <td>2900</td> <td>1\"/&gt;  <tr> <td>U-19</td> <td>"</td> <td>"</td> <td>V-675</td> <td>122</td> <td>1/2</td> <td>2900</td> <td>1\"/&gt;  <tr> <td>U-20</td> <td>"</td> <td>"</td> <td>V-675</td> <td>122</td> <td>1/2</td> <td>2900</td> <td>1\"/&gt;  <tr> <td>U-21</td> <td>"</td> <td>"</td> <td>V-675</td> <td>122</td> <td>1/2</td> <td>2900</td> <td>1\"/&gt;  <tr> <td>U-22</td> <td>"</td> <td>"</td> <td>V-675</td> <td>122</td> <td>1/2</td> <td>2900</td> <td>1\"/&gt;  <tr> <td>U-23</td> <td>"</td> <td>"</td> <td>V-675</td> <td>122</td> <td>1/2</td> <td>2900</td> <td>1\"/&gt;  <tr> <td>U-24</td> <td>"</td> <td>"</td> <td>V-675</td> <td>122</td> <td>1/2</td> <td>2900</td> <td>1\"/&gt;  <tr> <td>U-25</td> <td>"</td> <td>"</td> <td>V-675</td> <td>122</td> <td>1/2</td> <td>2900</td> <td>1\"/&gt;  <tr> <td>U-26</td> <td>"</td> <td>"</td> <td>V-675</td> <td>122</td> <td>1/2</td> <td>2900</td> <td>1\"/&gt;  <tr> <td>U-27</td> <td>"</td> <td>"</td> <td>V-675</td> <td>122</td> <td>1/2</td> <td>2900</td> <td>1\"/&gt;  <tr> <td>U-28</td> <td>"</td> <td>"</td> <td>V-675</td> <td>122</td> <td>1/2</td> <td>2900</td> <td>1\"/&gt;  <tr> <td>U-29</td> <td>"</td> <td>"</td> <td>V-675</td> <td>122</td> <td>1/2</td> <td>2900</td> <td>1\"/&gt;  <tr> <td>U-30</td> <td>"</td> <td>"</td> <td>V-675</td> <td>122</td> <td>1/2</td> <td>2900</td> <td>1\"/&gt;  <tr> <td>U-31</td> <td>"</td> <td>"</td> <td>V-675</td> <td>122</td> <td>1/2</td> <td>2900</td> <td>1\"/&gt;  <tr> <td>U-32</td> <td>"</td> <td>"</td> <td>V-675</td> <td>122</td> <td>1/2</td> <td>2900</td> <td>1\"/&gt;  <tr> <td>U-33</td> <td>"</td> <td>"</td> <td>V-675</td> <td>122</td> <td>1/2</td> <td>2900</td> <td>1\"/&gt;  <tr> <td>U-34</td> <td>"</td> <td>"</td> <td>V-675</td> <td>122</td> <td>1/2</td> <td>2900</td> <td>1\"/&gt;  <tr> <td>U-35</td> <td>"</td> <td>"</td> <td>V-675</td> <td>122</td> <td>1/2</td> <td>2900</td> <td>1\"/&gt;  <tr> <td>U-36</td> <td>"</td> <td>"</td> <td>V-675</td> <td>122</td> <td>1/2</td> <td>2900</td> <td>1\"/&gt;  <tr> <td>U-37</td> <td>"</td> <td>"</td> <td>V-675</td> <td>122</td> <td>1/2</td> <td>2900</td> <td>1\"/&gt;  <tr> <td>U-38</td> <td>"</td> <td>"</td> <td>V-675</td> <td>122</td> <td>1/2</td> <td>2900</td> <td>1\"/&gt;  <tr> <td>U-39</td> <td>"</td> <td>"</td> <td>V-675</td> <td>122</td> <td>1/2</td> <td>2900</td> <td>1\"/&gt;  <tr> <td>U-40</td> <td>"</td> <td>"</td> <td>V-675</td> <td>122</td> <td>1/2</td> <td>2900</td> <td>1\"/&gt;  <tr> <td>U-41</td> <td>"</td> <td>"</td> <td>V-675</td> <td>122</td> <td>1/2</td> <td>2900</td> <td>1\"/&gt;  <tr> <td>U-42</td> <td>"</td> <td>"</td> <td>V-675</td> <td>122</td> <td>1/2</td> <td>2900</td> <td>1\"/&gt;  <tr> <td>U-43</td> <td>"</td> <td>"</td> <td>V-675</td> <td>122</td> <td>1/2</td> <td>2900</td> <td>1\"/&gt;  <tr> <td>U-44</td> <td>"</td> <td>"</td> <td>V-675</td> <td>122</td> <td>1/2</td> <td>2900</td> <td>1\"/&gt;  <tr> <td>U-45</td> <td>"</td> <td>"</td> <td>V-675</td> <td>122</td> <td>1/2</td> <td>2900</td> <td>1\"/&gt;  <tr> <td>U-46</td> <td>"</td> <td>"</td> <td>V-675</td> <td>122</td> <td>1/2</td> <td>2900</td> <td>1\"/&gt;  <tr> <td>U-47</td> <td>"</td> <td>"</td> <td>V-675</td> <td>122</td> <td>1/2</td> <td>2900</td> <td>1\"/&gt;  <tr> <td>U-48</td> <td>"</td> <td>"</td> <td>V-675</td> <td>122</td> <td>1/2</td> <td>2900</td> <td>1\"/&gt;  <tr> <td>U-49</td> <td>"</td> <td>"</td> <td>V-675</td> <td>122</td> <td>1/2</td> <td>2900</td> <td>1\"/&gt;  <tr> <td>U-50</td> <td>"</td> <td>"</td> <td>V-675</td> <td>122</td> <td>1/2</td> <td>2900</td> <td>1\"/&gt;  </td></tr></td></tr></td></tr></td></tr></td></tr></td></tr></td></tr></td></tr></td></tr></td></tr></td></tr></td></tr></td></tr></td></tr></td></tr></td></tr></td></tr></td></tr></td></tr></td></tr></td></tr></td></tr></td></tr></td></tr></td></tr></td></tr></td></tr></td></tr></td></tr></td></tr></td></tr></td></tr></td></tr></td></tr></td></tr></td></tr></td></tr></td></tr></td></tr></td></tr></td></tr></td></tr></td></tr></td></tr></td></tr>  | U-6  | " | " | V-675  | 122  | 1/2 | 2900   | 1\"/> <tr> <td>U-7</td> <td>"</td> <td>"</td> <td>V-675</td> <td>122</td> <td>1/2</td> <td>2900</td> <td>1\"/&gt;  <tr> <td>U-8</td> <td>"</td> <td>"</td> <td>V-675</td> <td>122</td> <td>1/2</td> <td>2900</td> <td>1\"/&gt;  <tr> <td>U-9</td> <td>"</td> <td>"</td> <td>V-675</td> <td>122</td> <td>1/2</td> <td>2900</td> <td>1\"/&gt;  <tr> <td>U-10</td> <td>"</td> <td>"</td> <td>V-675</td> <td>122</td> <td>1/2</td> <td>2900</td> <td>1\"/&gt;  <tr> <td>U-11</td> <td>"</td> <td>"</td> <td>V-675</td> <td>122</td> <td>1/2</td> <td>2900</td> <td>1\"/&gt;  <tr> <td>U-12</td> <td>"</td> <td>"</td> <td>V-675</td> <td>122</td> <td>1/2</td> <td>2900</td> <td>1\"/&gt;  <tr> <td>U-13</td> <td>"</td> <td>"</td> <td>V-675</td> <td>122</td> <td>1/2</td> <td>2900</td> <td>1\"/&gt;  <tr> <td>U-14</td> <td>"</td> <td>"</td> <td>V-675</td> <td>122</td> <td>1/2</td> <td>2900</td> <td>1\"/&gt;  <tr> <td>U-15</td> <td>"</td> <td>"</td> <td>V-675</td> <td>122</td> <td>1/2</td> <td>2900</td> <td>1\"/&gt;  <tr> <td>U-16</td> <td>"</td> <td>"</td> <td>V-675</td> <td>122</td> <td>1/2</td> <td>2900</td> <td>1\"/&gt;  <tr> <td>U-17</td> <td>"</td> <td>"</td> <td>V-675</td> <td>122</td> <td>1/2</td> <td>2900</td> <td>1\"/&gt;  <tr> <td>U-18</td> <td>"</td> <td>"</td> <td>V-675</td> <td>122</td> <td>1/2</td> <td>2900</td> <td>1\"/&gt;  <tr> <td>U-19</td> <td>"</td> <td>"</td> <td>V-675</td> <td>122</td> <td>1/2</td> <td>2900</td> <td>1\"/&gt;  <tr> <td>U-20</td> <td>"</td> <td>"</td> <td>V-675</td> <td>122</td> <td>1/2</td> <td>2900</td> <td>1\"/&gt;  <tr> <td>U-21</td> <td>"</td> <td>"</td> <td>V-675</td> <td>122</td> <td>1/2</td> <td>2900</td> <td>1\"/&gt;  <tr> <td>U-22</td> <td>"</td> <td>"</td> <td>V-675</td> <td>122</td> <td>1/2</td> <td>2900</td> <td>1\"/&gt;  <tr> <td>U-23</td> <td>"</td> <td>"</td> <td>V-675</td> <td>122</td> <td>1/2</td> <td>2900</td> <td>1\"/&gt;  <tr> <td>U-24</td> <td>"</td> <td>"</td> <td>V-675</td> <td>122</td> <td>1/2</td> <td>2900</td> <td>1\"/&gt;  <tr> <td>U-25</td> <td>"</td> <td>"</td> <td>V-675</td> <td>122</td> <td>1/2</td> <td>2900</td> <td>1\"/&gt;  <tr> <td>U-26</td> <td>"</td> <td>"</td> <td>V-675</td> <td>122</td> <td>1/2</td> <td>2900</td> <td>1\"/&gt;  <tr> <td>U-27</td> <td>"</td> <td>"</td> <td>V-675</td> <td>122</td> <td>1/2</td> <td>2900</td> <td>1\"/&gt;  <tr> <td>U-28</td> <td>"</td> <td>"</td> <td>V-675</td> <td>122</td> <td>1/2</td> <td>2900</td> <td>1\"/&gt;  <tr> <td>U-29</td> <td>"</td> <td>"</td> <td>V-675</td> <td>122</td> <td>1/2</td> <td>2900</td> <td>1\"/&gt;  <tr> <td>U-30</td> <td>"</td> <td>"</td> <td>V-675</td> <td>122</td> <td>1/2</td> <td>2900</td> <td>1\"/&gt;  <tr> <td>U-31</td> <td>"</td> <td>"</td> <td>V-675</td> <td>122</td> <td>1/2</td> <td>2900</td> <td>1\"/&gt;  <tr> <td>U-32</td> <td>"</td> <td>"</td> <td>V-675</td> <td>122</td> <td>1/2</td> <td>2900</td> <td>1\"/&gt;  <tr> <td>U-33</td> <td>"</td> <td>"</td> <td>V-675</td> <td>122</td> <td>1/2</td> <td>2900</td> <td>1\"/&gt;  <tr> <td>U-34</td> <td>"</td> <td>"</td> <td>V-675</td> <td>122</td> <td>1/2</td> <td>2900</td> <td>1\"/&gt;  <tr> <td>U-35</td> <td>"</td> <td>"</td> <td>V-675</td> <td>122</td> <td>1/2</td> <td>2900</td> <td>1\"/&gt;  <tr> <td>U-36</td> <td>"</td> <td>"</td> <td>V-675</td> <td>122</td> <td>1/2</td> <td>2900</td> <td>1\"/&gt; 
<tr> <td>U-37</td> <td>"</td> <td>"</td> <td>V-675</td> <td>122</td> <td>1/2</td> <td>2900</td> <td>1\"/&gt;  <tr> <td>U-38</td> <td>"</td> <td>"</td> <td>V-675</td> <td>122</td> <td>1/2</td> <td>2900</td> <td>1\"/&gt;  <tr> <td>U-39</td> <td>"</td> <td>"</td> <td>V-675</td> <td>122</td> <td>1/2</td> <td>2900</td> <td>1\"/&gt;  <tr> <td>U-40</td> <td>"</td> <td>"</td> <td>V-675</td> <td>122</td> <td>1/2</td> <td>2900</td> <td>1\"/&gt;  <tr> <td>U-41</td> <td>"</td> <td>"</td> <td>V-675</td> <td>122</td> <td>1/2</td> <td>2900</td> <td>1\"/&gt;  <tr> <td>U-42</td> <td>"</td> <td>"</td> <td>V-675</td> <td>122</td> <td>1/2</td> <td>2900</td> <td>1\"/&gt;  <tr> <td>U-43</td> <td>"</td> <td>"</td> <td>V-675</td> <td>122</td> <td>1/2</td> <td>2900</td> <td>1\"/&gt;  <tr> <td>U-44</td> <td>"</td> <td>"</td> <td>V-675</td> <td>122</td> <td>1/2</td> <td>2900</td> <td>1\"/&gt;  <tr> <td>U-45</td> <td>"</td> <td>"</td> <td>V-675</td> <td>122</td> <td>1/2</td> <td>2900</td> <td>1\"/&gt;  <tr> <td>U-46</td> <td>"</td> <td>"</td> <td>V-675</td> <td>122</td> <td>1/2</td> <td>2900</td> <td>1\"/&gt;  <tr> <td>U-47</td> <td>"</td> <td>"</td> <td>V-675</td> <td>122</td> <td>1/2</td> <td>2900</td> <td>1\"/&gt;  <tr> <td>U-48</td> <td>"</td> <td>"</td> <td>V-675</td> <td>122</td> <td>1/2</td> <td>2900</td> <td>1\"/&gt;  <tr> <td>U-49</td> <td>"</td> <td>"</td> <td>V-675</td> <td>122</td> <td>1/2</td> <td>2900</td> <td>1\"/&gt;  <tr> <td>U-50</td> <td>"</td> <td>"</td> <td>V-675</td> <td>122</td> <td>1/2</td> <td>2900</td> <td>1\"/&gt;  </td></tr></td></tr></td></tr></td></tr></td></tr></td></tr></td></tr></td></tr></td></tr></td></tr></td></tr></td></tr></td></tr></td></tr></td></tr></td></tr></td></tr></td></tr></td></tr></td></tr></td></tr></td></tr></td></tr></td></tr></td></tr></td></tr></td></tr></td></tr></td></tr></td></tr></td></tr></td></tr></td></tr></td></tr></td></tr></td></tr></td></tr></td></tr></td></tr></td></tr></td></tr></td></tr></td></tr></td></tr>  | U-7  | " | " | V-675  | 122 | 1/2 | 2900   | 1\"/> <tr> <td>U-8</td> <td>"</td> <td>"</td> <td>V-675</td> <td>122</td> <td>1/2</td> <td>2900</td> <td>1\"/&gt;  <tr> <td>U-9</td> <td>"</td> <td>"</td> <td>V-675</td> <td>122</td> <td>1/2</td> <td>2900</td> <td>1\"/&gt;  <tr> <td>U-10</td> <td>"</td> <td>"</td> <td>V-675</td> <td>122</td> <td>1/2</td> <td>2900</td> <td>1\"/&gt;  <tr> <td>U-11</td> <td>"</td> <td>"</td> <td>V-675</td> <td>122</td> <td>1/2</td> <td>2900</td> <td>1\"/&gt;  <tr> <td>U-12</td> <td>"</td> <td>"</td> <td>V-675</td> <td>122</td> <td>1/2</td> <td>2900</td> <td>1\"/&gt;  <tr> <td>U-13</td> <td>"</td> <td>"</td> <td>V-675</td> <td>122</td> <td>1/2</td> <td>2900</td> <td>1\"/&gt;  <tr> <td>U-14</td> <td>"</td> <td>"</td> <td>V-675</td> <td>122</td> <td>1/2</td> <td>2900</td> <td>1\"/&gt;  <tr> <td>U-15</td> <td>"</td> <td>"</td> <td>V-675</td> <td>122</td> <td>1/2</td> <td>2900</td> <td>1\"/&gt;  <tr> <td>U-16</td> <td>"</td> <td>"</td> <td>V-675</td> <td>122</td> <td>1/2</td> <td>2900</td> <td>1\"/&gt;  <tr> <td>U-17</td> <td>"</td> <td>"</td> <td>V-675</td> <td>122</td> <td>1/2</td> <td>2900</td> <td>1\"/&gt;  <tr> <td>U-18</td> <td>"</td> <td>"</td> <td>V-675</td> <td>122</td> <td>1/2</td> <td>2900</td> <td>1\"/&gt;  <tr> <td>U-19</td> <td>"</td> <td>"</td> <td>V-675</td> <td>122</td> <td>1/2</td> <td>2900</td> <td>1\"/&gt;  <tr> <td>U-20</td> <td>"</td> <td>"</td> <td>V-675</td> <td>122</td> <td>1/2</td> <td>2900</td> <td>1\"/&gt;  <tr> <td>U-21</td> <td>"</td> <td>"</td> <td>V-675</td> <td>122</td> <td>1/2</td> <td>2900</td> <td>1\"/&gt;  <tr> <td>U-22</td> <td>"</td> <td>"</td> <td>V-675</td> <td>122</td> <td>1/2</td> <td>2900</td> <td>1\"/&gt;  <tr> <td>U-23</td> <td>"</td> <td>"</td> <td>V-675</td> <td>122</td> <td>1/2</td> <td>2900</td> <td>1\"/&gt;  <tr> <td>U-24</td> <td>"</td> <td>"</td> <td>V-675</td> <td>122</td> <td>1/2</td> <td>2900</td> <td>1\"/&gt;  <tr> <td>U-25</td> <td>"</td> <td>"</td> <td>V-675</td> <td>122</td> <td>1/2</td> <td>2900</td> <td>1\"/&gt;  <tr> <td>U-26</td> <td>"</td> <td>"</td> <td>V-675</td> <td>122</td> <td>1/2</td> <td>2900</td> <td>1\"/&gt;  <tr> <td>U-27</td> <td>"</td> <td>"</td> <td>V-675</td> <td>122</td> <td>1/2</td> <td>2900</td> <td>1\"/&gt;  <tr> <td>U-28</td> <td>"</td> <td>"</td> <td>V-675</td> <td>122</td> <td>1/2</td> <td>2900</td> <td>1\"/&gt;  <tr> <td>U-29</td> <td>"</td> <td>"</td> <td>V-675</td> <td>122</td> <td>1/2</td> <td>2900</td> <td>1\"/&gt;  <tr> <td>U-30</td> <td>"</td> <td>"</td> <td>V-675</td> <td>122</td> <td>1/2</td> <td>2900</td> <td>1\"/&gt;  <tr> <td>U-31</td> <td>"</td> <td>"</td> <td>V-675</td> <td>122</td> <td>1/2</td> <td>2900</td> <td>1\"/&gt;  <tr> <td>U-32</td> <td>"</td> <td>"</td> <td>V-675</td> <td>122</td> <td>1/2</td> <td>2900</td> <td>1\"/&gt;  <tr> <td>U-33</td> <td>"</td> <td>"</td> <td>V-675</td> <td>122</td> <td>1/2</td> <td>2900</td> <td>1\"/&gt;  <tr> <td>U-34</td> <td>"</td> <td>"</td> <td>V-675</td> <td>122</td> <td>1/2</td> <td>2900</td> <td>1\"/&gt;  <tr> <td>U-35</td> <td>"</td> <td>"</td> <td>V-675</td> <td>122</td> <td>1/2</td> <td>2900</td> <td>1\"/&gt;  <tr> <td>U-36</td> <td>"</td> <td>"</td> <td>V-675</td> <td>122</td> <td>1/2</td> <td>2900</td> <td>1\"/&gt;  <tr> <td>U-37</td> <td>"</td> <td>"</td> <td>V-675</td> <td>122</td> <td>1/2</td> <td>2900</td> <td>1\"/&gt;  <tr> <td>U-38</td> <td>"</td> <td>"</td> <td>V-675</td> <td>122</td> <td>1/2</td> <td>2900</td> <td>1\"/&gt;  <tr> <td>U-39</td> <td>"</td> <td>"</td> <td>V-675</td> <td>122</td> <td>1/2</td> <td>2900</td> <td>1\"/&gt;  <tr> <td>U-40</td> <td>"</td> <td>"</td> <td>V-675</td> <td>122</td> <td>1/2</td> <td>2900</td> <td>1\"/&gt;  <tr> <td>U-41</td> <td>"</td> <td>"</td> <td>V-675</td> <td>122</td> <td>1/2</td> <td>2900</td> <td>1\"/&gt;  <tr> <td>U-42</td> <td>"</td> <td>"</td> <td>V-675</td> <td>122</td> <td>1/2</td> <td>2900</td> <td>1\"/&gt;  <tr> <td>U-43</td> <td>"</td> <td>"</td> <td>V-675</td> <td>122</td> <td>1/2</td> <td>2900</td> <td>1\"/&gt;  <tr> <td>U-44</td> <td>"</td> <td>"</td> <td>V-675</td> <td>122</td> <td>1/2</td> <td>2900</td> <td>1\"/&gt;  <tr> <td>U-45</td> <td>"</td> <td>"</td> <td>V-675</td> <td>122</td> <td>1/2</td> <td>2900</td> <td>1\"/&gt;  <tr> <td>U-46</td> <td>"</td> <td>"</td> <td>V-675</td> <td>122</td> <td>1/2</td> <td>2900</td> <td>1\"/&gt;  <tr> <td>U-47</td> <td>"</td> <td>"</td> <td>V-675</td> <td>122</td> <td>1/2</td> <td>2900</td> <td>1\"/&gt;  <tr> <td>U-48</td> <td>"</td> <td>"</td> <td>V-675</td> <td>122</td> <td>1/2</td> <td>2900</td> <td>1\"/&gt;  <tr> <td>U-49</td> <td>"</td> <td>"</td> <td>V-675</td> <td>122</td> <td>1/2</td> <td>2900</td> <td>1\"/&gt;  <tr> <td>U-50</td> <td>"</td> <td>"</td> <td>V-675</td> <td>122</td> <td>1/2</td> <td>2900</td> <td>1\"/&gt;  </td></tr></td></tr></td></tr></td></tr></td></tr></td></tr></td></tr></td></tr></td></tr></td></tr></td></tr></td></tr></td></tr></td></tr></td></tr></td></tr></td></tr></td></tr></td></tr></td></tr></td></tr></td></tr></td></tr></td></tr></td></tr></td></tr></td></tr></td></tr></td></tr></td></tr></td></tr></td></tr></td></tr></td></tr></td></tr></td></tr></td></tr></td></tr></td></tr></td></tr></td></tr></td></tr></td></tr>   | U-8  | " | " | V-675 | 122 | 1/2 | 2900    | 1\"/> <tr> <td>U-9</td> <td>"</td> <td>"</td> <td>V-675</td> <td>122</td> <td>1/2</td> <td>2900</td> <td>1\"/&gt;  <tr> <td>U-10</td> <td>"</td> <td>"</td> <td>V-675</td> <td>122</td> <td>1/2</td> <td>2900</td> <td>1\"/&gt;  <tr> <td>U-11</td> <td>"</td> <td>"</td> <td>V-675</td> <td>122</td> <td>1/2</td> <td>2900</td> <td>1\"/&gt;  <tr> <td>U-12</td> <td>"</td> <td>"</td> <td>V-675</td> <td>122</td> <td>1/2</td> <td>2900</td> <td>1\"/&gt;  <tr> <td>U-13</td> <td>"</td> <td>"</td> <td>V-675</td> <td>122</td> <td>1/2</td> <td>2900</td> <td>1\"/&gt;  <tr> <td>U-14</td> <td>"</td> <td>"</td> <td>V-675</td> <td>122</td> <td>1/2</td> <td>2900</td> <td>1\"/&gt;  <tr> <td>U-15</td> <td>"</td> <td>"</td> <td>V-675</td> <td>122</td> <td>1/2</td> <td>2900</td> <td>1\"/&gt;  <tr> <td>U-16</td> <td>"</td> <td>"</td> <td>V-675</td> <td>122</td> <td>1/2</td> <td>2900</td> <td>1\"/&gt;  <tr> <td>U-17</td> <td>"</td> <td>"</td> <td>V-675</td> <td>122</td> <td>1/2</td> <td>2900</td> <td>1\"/&gt;  <tr> <td>U-18</td> <td>"</td> <td>"</td> <td>V-675</td> <td>122</td> <td>1/2</td> <td>2900</td> <td>1\"/&gt;  <tr> <td>U-19</td> <td>"</td> <td>"</td> <td>V-675</td> <td>122</td> <td>1/2</td> <td>2900</td> <td>1\"/&gt;  <tr> <td>U-20</td> <td>"</td> <td>"</td> <td>V-675</td> <td>122</td> <td>1/2</td> <td>2900</td> <td>1\"/&gt;  <tr> <td>U-21</td> <td>"</td> <td>"</td> <td>V-675</td> <td>122</td> <td>1/2</td> <td>2900</td> <td>1\"/&gt;  <tr> <td>U-22</td> <td>"</td> <td>"</td> <td>V-675</td> <td>122</td> <td>1/2</td> <td>2900</td> <td>1\"/&gt;  <tr> <td>U-23</td> <td>"</td> <td>"</td> <td>V-675</td> <td>122</td> <td>1/2</td> <td>2900</td> <td>1\"/&gt;  <tr> <td>U-24</td> <td>"</td> <td>"</td> <td>V-675</td> <td>122</td> <td>1/2</td> <td>2900</td> <td>1\"/&gt;  <tr> <td>U-25</td> <td>"</td> <td>"</td>
<td>V-675</td> <td>122</td> <td>1/2</td> <td>2900</td> <td>1\"/&gt;  <tr> <td>U-26</td> <td>"</td> <td>"</td> <td>V-675</td> <td>122</td> <td>1/2</td> <td>2900</td> <td>1\"/&gt;  <tr> <td>U-27</td> <td>"</td> <td>"</td> <td>V-675</td> <td>122</td> <td>1/2</td> <td>2900</td> <td>1\"/&gt;  <tr> <td>U-28</td> <td>"</td> <td>"</td> <td>V-675</td> <td>122</td> <td>1/2</td> <td>2900</td> <td>1\"/&gt;  <tr> <td>U-29</td> <td>"</td> <td>"</td> <td>V-675</td> <td>122</td> <td>1/2</td> <td>2900</td> <td>1\"/&gt;  <tr> <td>U-30</td> <td>"</td> <td>"</td> <td>V-675</td> <td>122</td> <td>1/2</td> <td>2900</td> <td>1\"/&gt;  <tr> <td>U-31</td> <td>"</td> <td>"</td> <td>V-675</td> <td>122</td> <td>1/2</td> <td>2900</td> <td>1\"/&gt;  <tr> <td>U-32</td> <td>"</td> <td>"</td> <td>V-675</td> <td>122</td> <td>1/2</td> <td>2900</td> <td>1\"/&gt;  <tr> <td>U-33</td> <td>"</td> <td>"</td> <td>V-675</td> <td>122</td> <td>1/2</td> <td>2900</td> <td>1\"/&gt;  <tr> <td>U-34</td> <td>"</td> <td>"</td> <td>V-675</td> <td>122</td> <td>1/2</td> <td>2900</td> <td>1\"/&gt;  <tr> <td>U-35</td> <td>"</td> <td>"</td> <td>V-675</td> <td>122</td> <td>1/2</td> <td>2900</td> <td>1\"/&gt;  <tr> <td>U-36</td> <td>"</td> <td>"</td> <td>V-675</td> <td>122</td> <td>1/2</td> <td>2900</td> <td>1\"/&gt;  <tr> <td>U-37</td> <td>"</td> <td>"</td> <td>V-675</td> <td>122</td> <td>1/2</td> <td>2900</td> <td>1\"/&gt;  <tr> <td>U-38</td> <td>"</td> <td>"</td> <td>V-675</td> <td>122</td> <td>1/2</td> <td>2900</td> <td>1\"/&gt;  <tr> <td>U-39</td> <td>"</td> <td>"</td> <td>V-675</td> <td>122</td> <td>1/2</td> <td>2900</td> <td>1\"/&gt;  <tr> <td>U-40</td> <td>"</td> <td>"</td> <td>V-675</td> <td>122</td> <td>1/2</td> <td>2900</td> <td>1\"/&gt;  <tr> <td>U-41</td> <td>"</td> <td>"</td> <td>V-675</td> <td>122</td> <td>1/2</td> <td>2900</td> <td>1\"/&gt;  <tr> <td>U-42</td> <td>"</td> <td>"</td> <td>V-675</td> <td>122</td> <td>1/2</td> <td>2900</td> <td>1\"/&gt;  <tr> <td>U-43</td> <td>"</td> <td>"</td> <td>V-675</td> <td>122</td> <td>1/2</td> <td>2900</td> <td>1\"/&gt;  <tr> <td>U-44</td> <td>"</td> <td>"</td> <td>V-675</td> <td>122</td> <td>1/2</td> <td>2900</td> <td>1\"/&gt;  <tr> <td>U-45</td> <td>"</td> <td>"</td> <td>V-675</td> <td>122</td> <td>1/2</td> <td>2900</td> <td>1\"/&gt;  <tr> <td>U-46</td> <td>"</td> <td>"</td> <td>V-675</td> <td>122</td> <td>1/2</td> <td>2900</td> <td>1\"/&gt;  <tr> <td>U-47</td> <td>"</td> <td>"</td> <td>V-675</td> <td>122</td> <td>1/2</td> <td>2900</td> <td>1\"/&gt;  <tr> <td>U-48</td> <td>"</td> <td>"</td> <td>V-675</td> <td>122</td> <td>1/2</td> <td>2900</td> <td>1\"/&gt;  <tr> <td>U-49</td> <td>"</td> <td>"</td> <td>V-675</td> <td>122</td> <td>1/2</td> <td>2900</td> <td>1\"/&gt;  <tr> <td>U-50</td> <td>"</td> <td>"</td> <td>V-675</td> <td>122</td> <td>1/2</td> <td>2900</td> <td>1\"/&gt;  </td></tr></td></tr></td></tr></td></tr></td></tr></td></tr></td></tr></td></tr></td></tr></td></tr></td></tr></td></tr></td></tr></td></tr></td></tr></td></tr></td></tr></td></tr></td></tr></td></tr></td></tr></td></tr></td></tr></td></tr></td></tr></td></tr></td></tr></td></tr></td></tr></td></tr></td></tr></td></tr></td></tr></td></tr></td></tr></td></tr></td></tr></td></tr></td></tr></td></tr></td></tr></td></tr>   | U-9  | " | " | V-675 | 122 | 1/2 | 2900   | 1\"/> <tr> <td>U-10</td> <td>"</td> <td>"</td> <td>V-675</td> <td>122</td> <td>1/2</td> <td>2900</td> <td>1\"/&gt;  <tr> <td>U-11</td> <td>"</td> <td>"</td> <td>V-675</td> <td>122</td> <td>1/2</td> <td>2900</td> <td>1\"/&gt;  <tr> <td>U-12</td> <td>"</td> <td>"</td> <td>V-675</td> <td>122</td> <td>1/2</td> <td>2900</td> <td>1\"/&gt;  <tr> <td>U-13</td> <td>"</td> <td>"</td> <td>V-675</td> <td>122</td> <td>1/2</td> <td>2900</td> <td>1\"/&gt;  <tr> <td>U-14</td> <td>"</td> <td>"</td> <td>V-675</td> <td>122</td> <td>1/2</td> <td>2900</td> <td>1\"/&gt;  <tr> <td>U-15</td> <td>"</td> <td>"</td> <td>V-675</td> <td>122</td> <td>1/2</td> <td>2900</td> <td>1\"/&gt;  <tr> <td>U-16</td> <td>"</td> <td>"</td> <td>V-675</td> <td>122</td> <td>1/2</td> <td>2900</td> <td>1\"/&gt;  <tr> <td>U-17</td> <td>"</td> <td>"</td> <td>V-675</td> <td>122</td> <td>1/2</td> <td>2900</td> <td>1\"/&gt;  <tr> <td>U-18</td> <td>"</td> <td>"</td> <td>V-675</td> <td>122</td> <td>1/2</td> <td>2900</td> <td>1\"/&gt;  <tr> <td>U-19</td> <td>"</td> <td>"</td> <td>V-675</td> <td>122</td> <td>1/2</td> <td>2900</td> <td>1\"/&gt;  <tr> <td>U-20</td> <td>"</td> <td>"</td> <td>V-675</td> <td>122</td> <td>1/2</td> <td>2900</td> <td>1\"/&gt;  <tr> <td>U-21</td> <td>"</td> <td>"</td> <td>V-675</td> <td>122</td> <td>1/2</td> <td>2900</td> <td>1\"/&gt;  <tr> <td>U-22</td> <td>"</td> <td>"</td> <td>V-675</td> <td>122</td> <td>1/2</td> <td>2900</td> <td>1\"/&gt;  <tr> <td>U-23</td> <td>"</td> <td>"</td> <td>V-675</td> <td>122</td> <td>1/2</td> <td>2900</td> <td>1\"/&gt;  <tr> <td>U-24</td> <td>"</td> <td>"</td> <td>V-675</td> <td>122</td> <td>1/2</td> <td>2900</td> <td>1\"/&gt;  <tr> <td>U-25</td> <td>"</td> <td>"</td> <td>V-675</td> <td>122</td> <td>1/2</td> <td>2900</td> <td>1\"/&gt;  <tr> <td>U-26</td> <td>"</td> <td>"</td> <td>V-675</td> <td>122</td> <td>1/2</td> <td>2900</td> <td>1\"/&gt;  <tr> <td>U-27</td> <td>"</td> <td>"</td> <td>V-675</td> <td>122</td> <td>1/2</td> <td>2900</td> <td>1\"/&gt;  <tr> <td>U-28</td> <td>"</td> <td>"</td> <td>V-675</td> <td>122</td> <td>1/2</td> <td>2900</td> <td>1\"/&gt;  <tr> <td>U-29</td> <td>"</td> <td>"</td> <td>V-675</td> <td>122</td> <td>1/2</td> <td>2900</td> <td>1\"/&gt;  <tr> <td>U-30</td> <td>"</td> <td>"</td> <td>V-675</td> <td>122</td> <td>1/2</td> <td>2900</td> <td>1\"/&gt;  <tr> <td>U-31</td> <td>"</td> <td>"</td> <td>V-675</td> <td>122</td> <td>1/2</td> <td>2900</td> <td>1\"/&gt;  <tr> <td>U-32</td> <td>"</td> <td>"</td> <td>V-675</td> <td>122</td> <td>1/2</td> <td>2900</td> <td>1\"/&gt;  <tr> <td>U-33</td> <td>"</td> <td>"</td> <td>V-675</td> <td>122</td> <td>1/2</td> <td>2900</td> <td>1\"/&gt;  <tr> <td>U-34</td> <td>"</td> <td>"</td> <td>V-675</td> <td>122</td> <td>1/2</td> <td>2900</td> <td>1\"/&gt;  <tr> <td>U-35</td> <td>"</td> <td>"</td> <td>V-675</td> <td>122</td> <td>1/2</td> <td>2900</td> <td>1\"/&gt;  <tr> <td>U-36</td> <td>"</td> <td>"</td> <td>V-675</td> <td>122</td> <td>1/2</td> <td>2900</td> <td>1\"/&gt;  <tr> <td>U-37</td> <td>"</td> <td>"</td> <td>V-675</td> <td>122</td> <td>1/2</td> <td>2900</td> <td>1\"/&gt;  <tr> <td>U-38</td> <td>"</td> <td>"</td> <td>V-675</td> <td>122</td> <td>1/2</td> <td>2900</td> <td>1\"/&gt;  <tr> <td>U-39</td> <td>"</td> <td>"</td> <td>V-675</td> <td>122</td> <td>1/2</td> <td>2900</td> <td>1\"/&gt;  <tr> <td>U-40</td> <td>"</td> <td>"</td> <td>V-675</td> <td>122</td> <td>1/2</td> <td>2900</td> <td>1\"/&gt;  <tr> <td>U-41</td> <td>"</td> <td>"</td> <td>V-675</td> <td>122</td> <td>1/2</td> <td>2900</td> <td>1\"/&gt;  <tr> <td>U-42</td> <td>"</td> <td>"</td> <td>V-675</td> <td>122</td> <td>1/2</td> <td>2900</td> <td>1\"/&gt;  <tr> <td>U-43</td> <td>"</td> <td>"</td> <td>V-675</td> <td>122</td> <td>1/2</td> <td>2900</td> <td>1\"/&gt;  <tr> <td>U-44</td> <td>"</td> <td>"</td> <td>V-675</td> <td>122</td> <td>1/2</td> <td>2900</td> <td>1\"/&gt;  <tr> <td>U-45</td> <td>"</td> <td>"</td> <td>V-675</td> <td>122</td> <td>1/2</td> <td>2900</td> <td>1\"/&gt;  <tr> <td>U-46</td> <td>"</td> <td>"</td> <td>V-675</td> <td>122</td> <td>1/2</td> <td>2900</td> <td>1\"/&gt;  <tr> <td>U-47</td> <td>"</td> <td>"</td> <td>V-675</td> <td>122</td> <td>1/2</td> <td>2900</td> <td>1\"/&gt;  <tr> <td>U-48</td> <td>"</td> <td>"</td> <td>V-675</td> <td>122</td> <td>1/2</td> <td>2900</td> <td>1\"/&gt;  <tr> <td>U-49</td> <td>"</td> <td>"</td> <td>V-675</td> <td>122</td> <td>1/2</td> <td>2900</td> <td>1\"/&gt;  <tr> <td>U-50</td> <td>"</td> <td>"</td> <td>V-675</td> <td>122</td> <td>1/2</td> <td>2900</td> <td>1\"/&gt;  </td></tr></td></tr></td></tr></td></tr></td></tr></td></tr></td></tr></td></tr></td></tr></td></tr></td></tr></td></tr></td></tr></td></tr></td></tr></td></tr></td></tr></td></tr></td></tr></td></tr></td></tr></td></tr></td></tr></td></tr></td></tr></td></tr></td></tr></td></tr></td></tr></td></tr></td></tr></td></tr></td></tr></td></tr></td></tr></td></tr></td></tr></td></tr></td></tr></td></tr></td></tr>   | U-10 | " | " | V-675 | 122 | 1/2 | 2900    | 1\"/> <tr> <td>U-11</td> <td>"</td> <td>"</td> <td>V-675</td> <td>122</td> <td>1/2</td> <td>2900</td> <td>1\"/&gt;  <tr> <td>U-12</td> <td>"</td> <td>"</td> <td>V-675</td> <td>122</td> <td>1/2</td> <td>2900</td> <td>1\"/&gt;  <tr> <td>U-13</td> <td>"</td> <td>"</td> <td>V-675</td> <td>122</td> <td>1/2</td> <td>2900</td> <td>1\"/&gt;  <tr> <td>U-14</td> <td>"</td> <td>"</td> <td>V-675</td> <td>122</td> <td>1/2</td> <td>2900</td> <td>1\"/&gt;  <tr> <td>U-15</td> <td>"</td> <td>"</td> <td>V-675</td> <td>122</td> <td>1/2</td> <td>2900</td> <td>1\"/&gt;  <tr> <td>U-16</td> <td>"</td> <td>"</td> <td>V-675</td> <td>122</td> <td>1/2</td> <td>2900</td> <td>1\"/&gt;  <tr> <td>U-17</td> <td>"</td> <td>"</td> <td>V-675</td> <td>122</td> <td>1/2</td> <td>2900</td> <td>1\"/&gt;  <tr>
<td>U-18</td> <td>"</td> <td>"</td> <td>V-675</td> <td>122</td> <td>1/2</td> <td>2900</td> <td>1\"/&gt;  <tr> <td>U-19</td> <td>"</td> <td>"</td> <td>V-675</td> <td>122</td> <td>1/2</td> <td>2900</td> <td>1\"/&gt;  <tr> <td>U-20</td> <td>"</td> <td>"</td> <td>V-675</td> <td>122</td> <td>1/2</td> <td>2900</td> <td>1\"/&gt;  <tr> <td>U-21</td> <td>"</td> <td>"</td> <td>V-675</td> <td>122</td> <td>1/2</td> <td>2900</td> <td>1\"/&gt;  <tr> <td>U-22</td> <td>"</td> <td>"</td> <td>V-675</td> <td>122</td> <td>1/2</td> <td>2900</td> <td>1\"/&gt;  <tr> <td>U-23</td> <td>"</td> <td>"</td> <td>V-675</td> <td>122</td> <td>1/2</td> <td>2900</td> <td>1\"/&gt;  <tr> <td>U-24</td> <td>"</td> <td>"</td> <td>V-675</td> <td>122</td> <td>1/2</td> <td>2900</td> <td>1\"/&gt;  <tr> <td>U-25</td> <td>"</td> <td>"</td> <td>V-675</td> <td>122</td> <td>1/2</td> <td>2900</td> <td>1\"/&gt;  <tr> <td>U-26</td> <td>"</td> <td>"</td> <td>V-675</td> <td>122</td> <td>1/2</td> <td>2900</td> <td>1\"/&gt;  <tr> <td>U-27</td> <td>"</td> <td>"</td> <td>V-675</td> <td>122</td> <td>1/2</td> <td>2900</td> <td>1\"/&gt;  <tr> <td>U-28</td> <td>"</td> <td>"</td> <td>V-675</td> <td>122</td> <td>1/2</td> <td>2900</td> <td>1\"/&gt;  <tr> <td>U-29</td> <td>"</td> <td>"</td> <td>V-675</td> <td>122</td> <td>1/2</td> <td>2900</td> <td>1\"/&gt;  <tr> <td>U-30</td> <td>"</td> <td>"</td> <td>V-675</td> <td>122</td> <td>1/2</td> <td>2900</td> <td>1\"/&gt;  <tr> <td>U-31</td> <td>"</td> <td>"</td> <td>V-675</td> <td>122</td> <td>1/2</td> <td>2900</td> <td>1\"/&gt;  <tr> <td>U-32</td> <td>"</td> <td>"</td> <td>V-675</td> <td>122</td> <td>1/2</td> <td>2900</td> <td>1\"/&gt;  <tr> <td>U-33</td> <td>"</td> <td>"</td> <td>V-675</td> <td>122</td> <td>1/2</td> <td>2900</td> <td>1\"/&gt;  <tr> <td>U-34</td> <td>"</td> <td>"</td> <td>V-675</td> <td>122</td> <td>1/2</td> <td>2900</td> <td>1\"/&gt;  <tr> <td>U-35</td> <td>"</td> <td>"</td> <td>V-675</td> <td>122</td> <td>1/2</td> <td>2900</td> <td>1\"/&gt;  <tr> <td>U-36</td> <td>"</td> <td>"</td> <td>V-675</td> <td>122</td> <td>1/2</td> <td>2900</td> <td>1\"/&gt;  <tr> <td>U-37</td> <td>"</td> <td>"</td> <td>V-675</td> <td>122</td> <td>1/2</td> <td>2900</td> <td>1\"/&gt;  <tr> <td>U-38</td> <td>"</td> <td>"</td> <td>V-675</td> <td>122</td> <td>1/2</td> <td>2900</td> <td>1\"/&gt;  <tr> <td>U-39</td> <td>"</td> <td>"</td> <td>V-675</td> <td>122</td> <td>1/2</td> <td>2900</td> <td>1\"/&gt;  <tr> <td>U-40</td> <td>"</td> <td>"</td> <td>V-675</td> <td>122</td> <td>1/2</td> <td>2900</td> <td>1\"/&gt;  <tr> <td>U-41</td> <td>"</td> <td>"</td> <td>V-675</td> <td>122</td> <td>1/2</td> <td>2900</td> <td>1\"/&gt;  <tr> <td>U-42</td> <td>"</td> <td>"</td> <td>V-675</td> <td>122</td> <td>1/2</td> <td>2900</td> <td>1\"/&gt;  <tr> <td>U-43</td> <td>"</td> <td>"</td> <td>V-675</td> <td>122</td> <td>1/2</td> <td>2900</td> <td>1\"/&gt;  <tr> <td>U-44</td> <td>"</td> <td>"</td> <td>V-675</td> <td>122</td> <td>1/2</td> <td>2900</td> <td>1\"/&gt;  <tr> <td>U-45</td> <td>"</td> <td>"</td> <td>V-675</td> <td>122</td> <td>1/2</td> <td>2900</td> <td>1\"/&gt;  <tr> <td>U-46</td> <td>"</td> <td>"</td> <td>V-675</td> <td>122</td> <td>1/2</td> <td>2900</td> <td>1\"/&gt;  <tr> <td>U-47</td> <td>"</td> <td>"</td> <td>V-675</td> <td>122</td> <td>1/2</td> <td>2900</td> <td>1\"/&gt;  <tr> <td>U-48</td> <td>"</td> <td>"</td> <td>V-675</td> <td>122</td> <td>1/2</td> <td>2900</td> <td>1\"/&gt;  <tr> <td>U-49</td> <td>"</td> <td>"</td> <td>V-675</td> <td>122</td> <td>1/2</td> <td>2900</td> <td>1\"/&gt;  <tr> <td>U-50</td> <td>"</td> <td>"</td> <td>V-675</td> <td>122</td> <td>1/2</td> <td>2900</td> <td>1\"/&gt;  </td></tr></td></tr></td></tr></td></tr></td></tr></td></tr></td></tr></td></tr></td></tr></td></tr></td></tr></td></tr></td></tr></td></tr></td></tr></td></tr></td></tr></td></tr></td></tr></td></tr></td></tr></td></tr></td></tr></td></tr></td></tr></td></tr></td></tr></td></tr></td></tr></td></tr></td></tr></td></tr></td></tr></td></tr></td></tr></td></tr></td></tr></td></tr></td></tr></td></tr>  | U-11 | "           | "      | V-675  | 122  | 1/2 | 2900 | 1\"/> <tr> <td>U-12</td> <td>"</td> <td>"</td> <td>V-675</td> <td>122</td> <td>1/2</td> <td>2900</td> <td>1\"/&gt;  <tr> <td>U-13</td> <td>"</td> <td>"</td> <td>V-675</td> <td>122</td> <td>1/2</td> <td>2900</td> <td>1\"/&gt;  <tr> <td>U-14</td> <td>"</td> <td>"</td> <td>V-675</td> <td>122</td> <td>1/2</td> <td>2900</td> <td>1\"/&gt;  <tr> <td>U-15</td> <td>"</td> <td>"</td> <td>V-675</td> <td>122</td> <td>1/2</td> <td>2900</td> <td>1\"/&gt;  <tr> <td>U-16</td> <td>"</td> <td>"</td> <td>V-675</td> <td>122</td> <td>1/2</td> <td>2900</td> <td>1\"/&gt;  <tr> <td>U-17</td> <td>"</td> <td>"</td> <td>V-675</td> <td>122</td> <td>1/2</td> <td>2900</td> <td>1\"/&gt;  <tr> <td>U-18</td> <td>"</td> <td>"</td> <td>V-675</td> <td>122</td> <td>1/2</td> <td>2900</td> <td>1\"/&gt;  <tr> <td>U-19</td> <td>"</td> <td>"</td> <td>V-675</td> <td>122</td> <td>1/2</td> <td>2900</td> <td>1\"/&gt;  <tr> <td>U-20</td> <td>"</td> <td>"</td> <td>V-675</td> <td>122</td> <td>1/2</td> <td>2900</td> <td>1\"/&gt;  <tr> <td>U-21</td> <td>"</td> <td>"</td> <td>V-675</td> <td>122</td> <td>1/2</td> <td>2900</td> <td>1\"/&gt;  <tr> <td>U-22</td> <td>"</td> <td>"</td> <td>V-675</td> <td>122</td> <td>1/2</td> <td>2900</td> <td>1\"/&gt;  <tr> <td>U-23</td> <td>"</td> <td>"</td> <td>V-675</td> <td>122</td> <td>1/2</td> <td>2900</td> <td>1\"/&gt;  <tr> <td>U-24</td> <td>"</td> <td>"</td> <td>V-675</td> <td>122</td> <td>1/2</td> <td>2900</td> <td>1\"/&gt;  <tr> <td>U-25</td> <td>"</td> <td>"</td> <td>V-675</td> <td>122</td> <td>1/2</td> <td>2900</td> <td>1\"/&gt;  <tr> <td>U-26</td> <td>"</td> <td>"</td> <td>V-675</td> <td>122</td> <td>1/2</td> <td>2900</td> <td>1\"/&gt;  <tr> <td>U-27</td> <td>"</td> <td>"</td> <td>V-675</td> <td>122</td> <td>1/2</td> <td>2900</td> <td>1\"/&gt;  <tr> <td>U-28</td> <td>"</td> <td>"</td> <td>V-675</td> <td>122</td> <td>1/2</td> <td>2900</td> <td>1\"/&gt;  <tr> <td>U-29</td> <td>"</td> <td>"</td> <td>V-675</td> <td>122</td> <td>1/2</td> <td>2900</td> <td>1\"/&gt;  <tr> <td>U-30</td> <td>"</td> <td>"</td> <td>V-675</td> <td>122</td> <td>1/2</td> <td>2900</td> <td>1\"/&gt;  <tr> <td>U-31</td> <td>"</td> <td>"</td> <td>V-675</td> <td>122</td> <td>1/2</td> <td>2900</td> <td>1\"/&gt;  <tr> <td>U-32</td> <td>"</td> <td>"</td> <td>V-675</td> <td>122</td> <td>1/2</td> <td>2900</td> <td>1\"/&gt;  <tr> <td>U-33</td> <td>"</td> <td>"</td> <td>V-675</td> <td>122</td> <td>1/2</td> <td>2900</td> <td>1\"/&gt;  <tr> <td>U-34</td> <td>"</td> <td>"</td> <td>V-675</td> <td>122</td> <td>1/2</td> <td>2900</td> <td>1\"/&gt;  <tr> <td>U-35</td> <td>"</td> <td>"</td> <td>V-675</td> <td>122</td> <td>1/2</td> <td>2900</td> <td>1\"/&gt;  <tr> <td>U-36</td> <td>"</td> <td>"</td> <td>V-675</td> <td>122</td> <td>1/2</td> <td>2900</td> <td>1\"/&gt;  <tr> <td>U-37</td> <td>"</td> <td>"</td> <td>V-675</td> <td>122</td> <td>1/2</td> <td>2900</td> <td>1\"/&gt;  <tr> <td>U-38</td> <td>"</td> <td>"</td> <td>V-675</td> <td>122</td> <td>1/2</td> <td>2900</td> <td>1\"/&gt;  <tr> <td>U-39</td> <td>"</td> <td>"</td> <td>V-675</td> <td>122</td> <td>1/2</td> <td>2900</td> <td>1\"/&gt;  <tr> <td>U-40</td> <td>"</td> <td>"</td> <td>V-675</td> <td>122</td> <td>1/2</td> <td>2900</td> <td>1\"/&gt;  <tr> <td>U-41</td> <td>"</td> <td>"</td> <td>V-675</td> <td>122</td> <td>1/2</td> <td>2900</td> <td>1\"/&gt;  <tr> <td>U-42</td> <td>"</td> <td>"</td> <td>V-675</td> <td>122</td> <td>1/2</td> <td>2900</td> <td>1\"/&gt;  <tr> <td>U-43</td> <td>"</td> <td>"</td> <td>V-675</td> <td>122</td> <td>1/2</td> <td>2900</td> <td>1\"/&gt;  <tr> <td>U-44</td> <td>"</td> <td>"</td> <td>V-675</td> <td>122</td> <td>1/2</td> <td>2900</td> <td>1\"/&gt;  <tr> <td>U-45</td> <td>"</td> <td>"</td> <td>V-675</td> <td>122</td> <td>1/2</td> <td>2900</td> <td>1\"/&gt;  <tr> <td>U-46</td> <td>"</td> <td>"</td> <td>V-675</td> <td>122</td> <td>1/2</td> <td>2900</td> <td>1\"/&gt;  <tr> <td>U-47</td> <td>"</td> <td>"</td> <td>V-675</td> <td>122</td> <td>1/2</td> <td>2900</td> <td>1\"/&gt;  <tr> <td>U-48</td> <td>"</td> <td>"</td> <td>V-675</td> <td>122</td> <td>1/2</td> <td>2900</td> <td>1\"/&gt;  <tr> <td>U-49</td> <td>"</td> <td>"</td> <td>V-675</td> <td>122</td> <td>1/2</td> <td>2900</td> <td>1\"/&gt;  <tr> <td>U-50</td> <td>"</td> <td>"</td> <td>V-675</td> <td>122</td> <td>1/2</td> <td>2900</td> <td>1\"/&gt;  </td></tr></td></tr></td></tr></td></tr></td></tr></td></tr></td></tr></td></tr></td></tr></td></tr></td></tr></td></tr></td></tr></td></tr></td></tr></td></tr></td></tr></td></tr></td></tr></td></tr></td></tr></td></tr></td></tr></td></tr></td></tr></td></tr></td></tr></td></tr></td></tr></td></tr></td></tr></td></tr></td></tr></td></tr></td></tr></td></tr></td></tr></td></tr></td></tr>   
  | U-12 | " | " | V-675  | 122  | 1/2 | 2900 | 1\"/> <tr> <td>U-13</td> <td>"</td> <td>"</td> <td>V-675</td> <td>122</td> <td>1/2</td> <td>2900</td> <td>1\"/&gt;  <tr> <td>U-14</td> <td>"</td> <td>"</td> <td>V-675</td> <td>122</td> <td>1/2</td> <td>2900</td> <td>1\"/&gt;  <tr> <td>U-15</td> <td>"</td> <td>"</td> <td>V-675</td> <td>122</td> <td>1/2</td> <td>2900</td> <td>1\"/&gt;  <tr> <td>U-16</td> <td>"</td> <td>"</td> <td>V-675</td> <td>122</td> <td>1/2</td> <td>2900</td> <td>1\"/&gt;  <tr> <td>U-17</td> <td>"</td> <td>"</td> <td>V-675</td> <td>122</td> <td>1/2</td> <td>2900</td> <td>1\"/&gt;  <tr> <td>U-18</td> <td>"</td> <td>"</td> <td>V-675</td> <td>122</td> <td>1/2</td> <td>2900</td> <td>1\"/&gt;  <tr> <td>U-19</td> <td>"</td> <td>"</td> <td>V-675</td> <td>122</td> <td>1/2</td> <td>2900</td> <td>1\"/&gt;  <tr> <td>U-20</td> <td>"</td> <td>"</td> <td>V-675</td> <td>122</td> <td>1/2</td> <td>2900</td> <td>1\"/&gt;  <tr> <td>U-21</td> <td>"</td> <td>"</td> <td>V-675</td> <td>122</td> <td>1/2</td> <td>2900</td> <td>1\"/&gt;  <tr> <td>U-22</td> <td>"</td> <td>"</td> <td>V-675</td> <td>122</td> <td>1/2</td> <td>2900</td> <td>1\"/&gt;  <tr> <td>U-23</td> <td>"</td> <td>"</td> <td>V-675</td> <td>122</td> <td>1/2</td> <td>2900</td> <td>1\"/&gt;  <tr> <td>U-24</td> <td>"</td> <td>"</td> <td>V-675</td> <td>122</td> <td>1/2</td> <td>2900</td> <td>1\"/&gt;  <tr> <td>U-25</td> <td>"</td> <td>"</td> <td>V-675</td> <td>122</td> <td>1/2</td> <td>2900</td> <td>1\"/&gt;  <tr> <td>U-26</td> <td>"</td> <td>"</td> <td>V-675</td> <td>122</td> <td>1/2</td> <td>2900</td> <td>1\"/&gt;  <tr> <td>U-27</td> <td>"</td> <td>"</td> <td>V-675</td> <td>122</td> <td>1/2</td> <td>2900</td> <td>1\"/&gt;  <tr> <td>U-28</td> <td>"</td> <td>"</td> <td>V-675</td> <td>122</td> <td>1/2</td> <td>2900</td> <td>1\"/&gt;  <tr> <td>U-29</td> <td>"</td> <td>"</td> <td>V-675</td> <td>122</td> <td>1/2</td> <td>2900</td> <td>1\"/&gt;  <tr> <td>U-30</td> <td>"</td> <td>"</td> <td>V-675</td> <td>122</td> <td>1/2</td> <td>2900</td> <td>1\"/&gt;  <tr> <td>U-31</td> <td>"</td> <td>"</td> <td>V-675</td> <td>122</td> <td>1/2</td> <td>2900</td> <td>1\"/&gt;  <tr> <td>U-32</td> <td>"</td> <td>"</td> <td>V-675</td> <td>122</td> <td>1/2</td> <td>2900</td> <td>1\"/&gt;  <tr> <td>U-33</td> <td>"</td> <td>"</td> <td>V-675</td> <td>122</td> <td>1/2</td> <td>2900</td> <td>1\"/&gt;  <tr> <td>U-34</td> <td>"</td> <td>"</td> <td>V-675</td> <td>122</td> <td>1/2</td> <td>2900</td> <td>1\"/&gt;  <tr> <td>U-35</td> <td>"</td> <td>"</td> <td>V-675</td> <td>122</td> <td>1/2</td> <td>2900</td> <td>1\"/&gt;  <tr> <td>U-36</td> <td>"</td> <td>"</td> <td>V-675</td> <td>122</td> <td>1/2</td> <td>2900</td> <td>1\"/&gt;  <tr> <td>U-37</td> <td>"</td> <td>"</td> <td>V-675</td> <td>122</td> <td>1/2</td> <td>2900</td> <td>1\"/&gt;  <tr> <td>U-38</td> <td>"</td> <td>"</td> <td>V-675</td> <td>122</td> <td>1/2</td> <td>2900</td> <td>1\"/&gt;  <tr> <td>U-39</td> <td>"</td> <td>"</td> <td>V-675</td> <td>122</td> <td>1/2</td> <td>2900</td> <td>1\"/&gt;  <tr> <td>U-40</td> <td>"</td> <td>"</td> <td>V-675</td> <td>122</td> <td>1/2</td> <td>2900</td> <td>1\"/&gt;  <tr> <td>U-41</td> <td>"</td> <td>"</td> <td>V-675</td> <td>122</td> <td>1/2</td> <td>2900</td> <td>1\"/&gt;  <tr> <td>U-42</td> <td>"</td> <td>"</td> <td>V-675</td> <td>122</td> <td>1/2</td> <td>2900</td> <td>1\"/&gt;  <tr> <td>U-43</td> <td>"</td> <td>"</td> <td>V-675</td> <td>122</td> <td>1/2</td> <td>2900</td> <td>1\"/&gt;  <tr> <td>U-44</td> <td>"</td> <td>"</td> <td>V-675</td> <td>122</td> <td>1/2</td> <td>2900</td> <td>1\"/&gt;  <tr> <td>U-45</td> <td>"</td> <td>"</td> <td>V-675</td> <td>122</td> <td>1/2</td> <td>2900</td> <td>1\"/&gt;  <tr> <td>U-46</td> <td>"</td> <td>"</td> <td>V-675</td> <td>122</td> <td>1/2</td> <td>2900</td> <td>1\"/&gt;  <tr> <td>U-47</td> <td>"</td> <td>"</td> <td>V-675</td> <td>122</td> <td>1/2</td> <td>2900</td> <td>1\"/&gt;  <tr> <td>U-48</td> <td>"</td> <td>"</td> <td>V-675</td> <td>122</td> <td>1/2</td> <td>2900</td> <td>1\"/&gt;  <tr> <td>U-49</td> <td>"</td> <td>"</td> <td>V-675</td> <td>122</td> <td>1/2</td> <td>2900</td> <td>1\"/&gt;  <tr> <td>U-50</td> <td>"</td> <td>"</td> <td>V-675</td> <td>122</td> <td>1/2</td> <td>2900</td> <td>1\"/&gt;  </td></tr></td></tr></td></tr></td></tr></td></tr></td></tr></td></tr></td></tr></td></tr></td></tr></td></tr></td></tr></td></tr></td></tr></td></tr></td></tr></td></tr></td></tr></td></tr></td></tr></td></tr></td></tr></td></tr></td></tr></td></tr></td></tr></td></tr></td></tr></td></tr></td></tr></td></tr></td></tr></td></tr></td></tr></td></tr></td></tr></td></tr></td></tr>   | U-13 | " | " | V-675  | 122 | 1/2 | 2900 | 1\"/> <tr> <td>U-14</td> <td>"</td> <td>"</td> <td>V-675</td> <td>122</td> <td>1/2</td> <td>2900</td> <td>1\"/&gt;  <tr> <td>U-15</td> <td>"</td> <td>"</td> <td>V-675</td> <td>122</td> <td>1/2</td> <td>2900</td> <td>1\"/&gt;  <tr> <td>U-16</td> <td>"</td> <td>"</td> <td>V-675</td> <td>122</td> <td>1/2</td> <td>2900</td> <td>1\"/&gt;  <tr> <td>U-17</td> <td>"</td> <td>"</td> <td>V-675</td> <td>122</td> <td>1/2</td> <td>2900</td> <td>1\"/&gt;  <tr> <td>U-18</td> <td>"</td> <td>"</td> <td>V-675</td> <td>122</td> <td>1/2</td> <td>2900</td> <td>1\"/&gt;  <tr> <td>U-19</td> <td>"</td> <td>"</td> <td>V-675</td> <td>122</td> <td>1/2</td> <td>2900</td> <td>1\"/&gt;  <tr> <td>U-20</td> <td>"</td> <td>"</td> <td>V-675</td> <td>122</td> <td>1/2</td> <td>2900</td> <td>1\"/&gt;  <tr> <td>U-21</td> <td>"</td> <td>"</td> <td>V-675</td> <td>122</td> <td>1/2</td> <td>2900</td> <td>1\"/&gt;  <tr> <td>U-22</td> <td>"</td> <td>"</td> <td>V-675</td> <td>122</td> <td>1/2</td> <td>2900</td> <td>1\"/&gt;  <tr> <td>U-23</td> <td>"</td> <td>"</td> <td>V-675</td> <td>122</td> <td>1/2</td> <td>2900</td> <td>1\"/&gt;  <tr> <td>U-24</td> <td>"</td> <td>"</td> <td>V-675</td> <td>122</td> <td>1/2</td> <td>2900</td> <td>1\"/&gt;  <tr> <td>U-25</td> <td>"</td> <td>"</td> <td>V-675</td> <td>122</td> <td>1/2</td> <td>2900</td> <td>1\"/&gt;  <tr> <td>U-26</td> <td>"</td> <td>"</td> <td>V-675</td> <td>122</td> <td>1/2</td> <td>2900</td> <td>1\"/&gt;  <tr> <td>U-27</td> <td>"</td> <td>"</td> <td>V-675</td> <td>122</td> <td>1/2</td> <td>2900</td> <td>1\"/&gt;  <tr> <td>U-28</td> <td>"</td> <td>"</td> <td>V-675</td> <td>122</td> <td>1/2</td> <td>2900</td> <td>1\"/&gt;  <tr> <td>U-29</td> <td>"</td> <td>"</td> <td>V-675</td> <td>122</td> <td>1/2</td> <td>2900</td> <td>1\"/&gt;  <tr> <td>U-30</td> <td>"</td> <td>"</td> <td>V-675</td> <td>122</td> <td>1/2</td> <td>2900</td> <td>1\"/&gt;  <tr> <td>U-31</td> <td>"</td> <td>"</td> <td>V-675</td> <td>122</td> <td>1/2</td> <td>2900</td> <td>1\"/&gt;  <tr> <td>U-32</td> <td>"</td> <td>"</td> <td>V-675</td> <td>122</td> <td>1/2</td> <td>2900</td> <td>1\"/&gt;  <tr> <td>U-33</td> <td>"</td> <td>"</td> <td>V-675</td> <td>122</td> <td>1/2</td> <td>2900</td> <td>1\"/&gt;  <tr> <td>U-34</td> <td>"</td> <td>"</td> <td>V-675</td> <td>122</td> <td>1/2</td> <td>2900</td> <td>1\"/&gt;  <tr> <td>U-35</td> <td>"</td> <td>"</td> <td>V-675</td> <td>122</td> <td>1/2</td> <td>2900</td> <td>1\"/&gt;  <tr> <td>U-36</td> <td>"</td> <td>"</td> <td>V-675</td> <td>122</td> <td>1/2</td> <td>2900</td> <td>1\"/&gt;  <tr> <td>U-37</td> <td>"</td> <td>"</td> <td>V-675</td> <td>122</td> <td>1/2</td> <td>2900</td> <td>1\"/&gt;  <tr> <td>U-38</td> <td>"</td> <td>"</td> <td>V-675</td> <td>122</td> <td>1/2</td> <td>2900</td> <td>1\"/&gt;  <tr> <td>U-39</td> <td>"</td> <td>"</td> <td>V-675</td> <td>122</td> <td>1/2</td> <td>2900</td> <td>1\"/&gt;  <tr> <td>U-40</td> <td>"</td> <td>"</td> <td>V-675</td> <td>122</td> <td>1/2</td> <td>2900</td> <td>1\"/&gt;  <tr> <td>U-41</td> <td>"</td> <td>"</td> <td>V-675</td> <td>122</td> <td>1/2</td> <td>2900</td> <td>1\"/&gt;  <tr> <td>U-42</td> <td>"</td> <td>"</td> <td>V-675</td> <td>122</td> <td>1/2</td> <td>2900</td> <td>1\"/&gt;  <tr> <td>U-43</td> <td>"</td> <td>"</td> <td>V-675</td> <td>122</td> <td>1/2</td> <td>2900</td> <td>1\"/&gt;  <tr> <td>U-44</td> <td>"</td> <td>"</td> <td>V-675</td> <td>122</td> <td>1/2</td> <td>2900</td> <td>1\"/&gt;  <tr> <td>U-45</td> <td>"</td> <td>"</td> <td>V-675</td> <td>122</td> <td>1/2</td> <td>2900</td> <td>1\"/&gt;  <tr> <td>U-46</td> <td>"</td> <td>"</td> <td>V-675</td> <td>122</td> <td>1/2</td> <td>2900</td> <td>1\"/&gt;  <tr> <td>U-47</td> <td>"</td> <td>"</td> <td>V-675</td>
<td>122</td> <td>1/2</td> <td>2900</td> <td>1\"/&gt;  <tr> <td>U-48</td> <td>"</td> <td>"</td> <td>V-675</td> <td>122</td> <td>1/2</td> <td>2900</td> <td>1\"/&gt;  <tr> <td>U-49</td> <td>"</td> <td>"</td> <td>V-675</td> <td>122</td> <td>1/2</td> <td>2900</td> <td>1\"/&gt;  <tr> <td>U-50</td> <td>"</td> <td>"</td> <td>V-675</td> <td>122</td> <td>1/2</td> <td>2900</td> <td>1\"/&gt;  </td></tr></td></tr></td></tr></td></tr></td></tr></td></tr></td></tr></td></tr></td></tr></td></tr></td></tr></td></tr></td></tr></td></tr></td></tr></td></tr></td></tr></td></tr></td></tr></td></tr></td></tr></td></tr></td></tr></td></tr></td></tr></td></tr></td></tr></td></tr></td></tr></td></tr></td></tr></td></tr></td></tr></td></tr></td></tr></td></tr></td></tr>   | U-14 | " | " | V-675 | 122 | 1/2 | 2900 | 1\"/> <tr> <td>U-15</td> <td>"</td> <td>"</td> <td>V-675</td> <td>122</td> <td>1/2</td> <td>2900</td> <td>1\"/&gt;  <tr> <td>U-16</td> <td>"</td> <td>"</td> <td>V-675</td> <td>122</td> <td>1/2</td> <td>2900</td> <td>1\"/&gt;  <tr> <td>U-17</td> <td>"</td> <td>"</td> <td>V-675</td> <td>122</td> <td>1/2</td> <td>2900</td> <td>1\"/&gt;  <tr> <td>U-18</td> <td>"</td> <td>"</td> <td>V-675</td> <td>122</td> <td>1/2</td> <td>2900</td> <td>1\"/&gt;  <tr> <td>U-19</td> <td>"</td> <td>"</td> <td>V-675</td> <td>122</td> <td>1/2</td> <td>2900</td> <td>1\"/&gt;  <tr> <td>U-20</td> <td>"</td> <td>"</td> <td>V-675</td> <td>122</td> <td>1/2</td> <td>2900</td> <td>1\"/&gt;  <tr> <td>U-21</td> <td>"</td> <td>"</td> <td>V-675</td> <td>122</td> <td>1/2</td> <td>2900</td> <td>1\"/&gt;  <tr> <td>U-22</td> <td>"</td> <td>"</td> <td>V-675</td> <td>122</td> <td>1/2</td> <td>2900</td> <td>1\"/&gt;  <tr> <td>U-23</td> <td>"</td> <td>"</td> <td>V-675</td> <td>122</td> <td>1/2</td> <td>2900</td> <td>1\"/&gt;  <tr> <td>U-24</td> <td>"</td> <td>"</td> <td>V-675</td> <td>122</td> <td>1/2</td> <td>2900</td> <td>1\"/&gt;  <tr> <td>U-25</td> <td>"</td> <td>"</td> <td>V-675</td> <td>122</td> <td>1/2</td> <td>2900</td> <td>1\"/&gt;  <tr> <td>U-26</td> <td>"</td> <td>"</td> <td>V-675</td> <td>122</td> <td>1/2</td> <td>2900</td> <td>1\"/&gt;  <tr> <td>U-27</td> <td>"</td> <td>"</td> <td>V-675</td> <td>122</td> <td>1/2</td> <td>2900</td> <td>1\"/&gt;  <tr> <td>U-28</td> <td>"</td> <td>"</td> <td>V-675</td> <td>122</td> <td>1/2</td> <td>2900</td> <td>1\"/&gt;  <tr> <td>U-29</td> <td>"</td> <td>"</td> <td>V-675</td> <td>122</td> <td>1/2</td> <td>2900</td> <td>1\"/&gt;  <tr> <td>U-30</td> <td>"</td> <td>"</td> <td>V-675</td> <td>122</td> <td>1/2</td> <td>2900</td> <td>1\"/&gt;  <tr> <td>U-31</td> <td>"</td> <td>"</td> <td>V-675</td> <td>122</td> <td>1/2</td> <td>2900</td> <td>1\"/&gt;  <tr> <td>U-32</td> <td>"</td> <td>"</td> <td>V-675</td> <td>122</td> <td>1/2</td> <td>2900</td> <td>1\"/&gt;  <tr> <td>U-33</td> <td>"</td> <td>"</td> <td>V-675</td> <td>122</td> <td>1/2</td> <td>2900</td> <td>1\"/&gt;  <tr> <td>U-34</td> <td>"</td> <td>"</td> <td>V-675</td> <td>122</td> <td>1/2</td> <td>2900</td> <td>1\"/&gt;  <tr> <td>U-35</td> <td>"</td> <td>"</td> <td>V-675</td> <td>122</td> <td>1/2</td> <td>2900</td> <td>1\"/&gt;  <tr> <td>U-36</td> <td>"</td> <td>"</td> <td>V-675</td> <td>122</td> <td>1/2</td> <td>2900</td> <td>1\"/&gt;  <tr> <td>U-37</td> <td>"</td> <td>"</td> <td>V-675</td> <td>122</td> <td>1/2</td> <td>2900</td> <td>1\"/&gt;  <tr> <td>U-38</td> <td>"</td> <td>"</td> <td>V-675</td> <td>122</td> <td>1/2</td> <td>2900</td> <td>1\"/&gt;  <tr> <td>U-39</td> <td>"</td> <td>"</td> <td>V-675</td> <td>122</td> <td>1/2</td> <td>2900</td> <td>1\"/&gt;  <tr> <td>U-40</td> <td>"</td> <td>"</td> <td>V-675</td> <td>122</td> <td>1/2</td> <td>2900</td> <td>1\"/&gt;  <tr> <td>U-41</td> <td>"</td> <td>"</td> <td>V-675</td> <td>122</td> <td>1/2</td> <td>2900</td> <td>1\"/&gt;  <tr> <td>U-42</td> <td>"</td> <td>"</td> <td>V-675</td> <td>122</td> <td>1/2</td> <td>2900</td> <td>1\"/&gt;  <tr> <td>U-43</td> <td>"</td> <td>"</td> <td>V-675</td> <td>122</td> <td>1/2</td> <td>2900</td> <td>1\"/&gt;  <tr> <td>U-44</td> <td>"</td> <td>"</td> <td>V-675</td> <td>122</td> <td>1/2</td> <td>2900</td> <td>1\"/&gt;  <tr> <td>U-45</td> <td>"</td> <td>"</td> <td>V-675</td> <td>122</td> <td>1/2</td> <td>2900</td> <td>1\"/&gt;  <tr> <td>U-46</td> <td>"</td> <td>"</td> <td>V-675</td> <td>122</td> <td>1/2</td> <td>2900</td> <td>1\"/&gt;  <tr> <td>U-47</td> <td>"</td> <td>"</td> <td>V-675</td> <td>122</td> <td>1/2</td> <td>2900</td> <td>1\"/&gt;  <tr> <td>U-48</td> <td>"</td> <td>"</td> <td>V-675</td> <td>122</td> <td>1/2</td> <td>2900</td> <td>1\"/&gt;  <tr> <td>U-49</td> <td>"</td> <td>"</td> <td>V-675</td> <td>122</td> <td>1/2</td> <td>2900</td> <td>1\"/&gt;  <tr> <td>U-50</td> <td>"</td> <td>"</td> <td>V-675</td> <td>122</td> <td>1/2</td> <td>2900</td> <td>1\"/&gt;  </td></tr></td></tr></td></tr></td></tr></td></tr></td></tr></td></tr></td></tr></td></tr></td></tr></td></tr></td></tr></td></tr></td></tr></td></tr></td></tr></td></tr></td></tr></td></tr></td></tr></td></tr></td></tr></td></tr></td></tr></td></tr></td></tr></td></tr></td></tr></td></tr></td></tr></td></tr></td></tr></td></tr></td></tr></td></tr></td></tr>  | U-15 | " | " | V-675 | 122 | 1/2 | 2900 | 1\"/> <tr> <td>U-16</td> <td>"</td> <td>"</td> <td>V-675</td> <td>122</td> <td>1/2</td> <td>2900</td> <td>1\"/&gt;  <tr> <td>U-17</td> <td>"</td> <td>"</td> <td>V-675</td> <td>122</td> <td>1/2</td> <td>2900</td> <td>1\"/&gt;  <tr> <td>U-18</td> <td>"</td> <td>"</td> <td>V-675</td> <td>122</td> <td>1/2</td> <td>2900</td> <td>1\"/&gt;  <tr> <td>U-19</td> <td>"</td> <td>"</td> <td>V-675</td> <td>122</td> <td>1/2</td> <td>2900</td> <td>1\"/&gt;  <tr> <td>U-20</td> <td>"</td> <td>"</td> <td>V-675</td> <td>122</td> <td>1/2</td> <td>2900</td> <td>1\"/&gt;  <tr> <td>U-21</td> <td>"</td> <td>"</td> <td>V-675</td> <td>122</td> <td>1/2</td> <td>2900</td> <td>1\"/&gt;  <tr> <td>U-22</td> <td>"</td> <td>"</td> <td>V-675</td> <td>122</td> <td>1/2</td> <td>2900</td> <td>1\"/&gt;  <tr> <td>U-23</td> <td>"</td> <td>"</td> <td>V-675</td> <td>122</td> <td>1/2</td> <td>2900</td> <td>1\"/&gt;  <tr> <td>U-24</td> <td>"</td> <td>"</td> <td>V-675</td> <td>122</td> <td>1/2</td> <td>2900</td> <td>1\"/&gt;  <tr> <td>U-25</td> <td>"</td> <td>"</td> <td>V-675</td> <td>122</td> <td>1/2</td> <td>2900</td> <td>1\"/&gt;  <tr> <td>U-26</td> <td>"</td> <td>"</td> <td>V-675</td> <td>122</td> <td>1/2</td> <td>2900</td> <td>1\"/&gt;  <tr> <td>U-27</td> <td>"</td> <td>"</td> <td>V-675</td> <td>122</td> <td>1/2</td> <td>2900</td> <td>1\"/&gt;  <tr> <td>U-28</td> <td>"</td> <td>"</td> <td>V-675</td> <td>122</td> <td>1/2</td> <td>2900</td> <td>1\"/&gt;  <tr> <td>U-29</td> <td>"</td> <td>"</td> <td>V-675</td> <td>122</td> <td>1/2</td> <td>2900</td> <td>1\"/&gt;  <tr> <td>U-30</td> <td>"</td> <td>"</td> <td>V-675</td> <td>122</td> <td>1/2</td> <td>2900</td> <td>1\"/&gt;  <tr> <td>U-31</td> <td>"</td> <td>"</td> <td>V-675</td> <td>122</td> <td>1/2</td> <td>2900</td> <td>1\"/&gt;  <tr> <td>U-32</td> <td>"</td> <td>"</td> <td>V-675</td> <td>122</td> <td>1/2</td> <td>2900</td> <td>1\"/&gt;  <tr> <td>U-33</td> <td>"</td> <td>"</td> <td>V-675</td> <td>122</td> <td>1/2</td> <td>2900</td> <td>1\"/&gt;  <tr> <td>U-34</td> <td>"</td> <td>"</td> <td>V-675</td> <td>122</td> <td>1/2</td> <td>2900</td> <td>1\"/&gt;  <tr> <td>U-35</td> <td>"</td> <td>"</td> <td>V-675</td> <td>122</td> <td>1/2</td> <td>2900</td> <td>1\"/&gt;  <tr> <td>U-36</td> <td>"</td> <td>"</td> <td>V-675</td> <td>122</td> <td>1/2</td> <td>2900</td> <td>1\"/&gt;  <tr> <td>U-37</td> <td>"</td> <td>"</td> <td>V-675</td> <td>122</td> <td>1/2</td> <td>2900</td> <td>1\"/&gt;  <tr>
<td>U-38</td> <td>"</td> <td>"</td> <td>V-675</td> <td>122</td> <td>1/2</td> <td>2900</td> <td>1\"/&gt;  <tr> <td>U-39</td> <td>"</td> <td>"</td> <td>V-675</td> <td>122</td> <td>1/2</td> <td>2900</td> <td>1\"/&gt;  <tr> <td>U-40</td> <td>"</td> <td>"</td> <td>V-675</td> <td>122</td> <td>1/2</td> <td>2900</td> <td>1\"/&gt;  <tr> <td>U-41</td> <td>"</td> <td>"</td> <td>V-675</td> <td>122</td> <td>1/2</td> <td>2900</td> <td>1\"/&gt;  <tr> <td>U-42</td> <td>"</td> <td>"</td> <td>V-675</td> <td>122</td> <td>1/2</td> <td>2900</td> <td>1\"/&gt;  <tr> <td>U-43</td> <td>"</td> <td>"</td> <td>V-675</td> <td>122</td> <td>1/2</td> <td>2900</td> <td>1\"/&gt;  <tr> <td>U-44</td> <td>"</td> <td>"</td> <td>V-675</td> <td>122</td> <td>1/2</td> <td>2900</td> <td>1\"/&gt;  <tr> <td>U-45</td> <td>"</td> <td>"</td> <td>V-675</td> <td>122</td> <td>1/2</td> <td>2900</td> <td>1\"/&gt;  <tr> <td>U-46</td> <td>"</td> <td>"</td> <td>V-675</td> <td>122</td> <td>1/2</td> <td>2900</td> <td>1\"/&gt;  <tr> <td>U-47</td> <td>"</td> <td>"</td> <td>V-675</td> <td>122</td> <td>1/2</td> <td>2900</td> <td>1\"/&gt;  <tr> <td>U-48</td> <td>"</td> <td>"</td> <td>V-675</td> <td>122</td> <td>1/2</td> <td>2900</td> <td>1\"/&gt;  <tr> <td>U-49</td> <td>"</td> <td>"</td> <td>V-675</td> <td>122</td> <td>1/2</td> <td>2900</td> <td>1\"/&gt;  <tr> <td>U-50</td> <td>"</td> <td>"</td> <td>V-675</td> <td>122</td> <td>1/2</td> <td>2900</td> <td>1\"/&gt;  </td></tr></td></tr></td></tr></td></tr></td></tr></td></tr></td></tr></td></tr></td></tr></td></tr></td></tr></td></tr></td></tr></td></tr></td></tr></td></tr></td></tr></td></tr></td></tr></td></tr></td></tr></td></tr></td></tr></td></tr></td></tr></td></tr></td></tr></td></tr></td></tr></td></tr></td></tr></td></tr></td></tr></td></tr></td></tr>   | U-16 | " | " | V-675 | 122 | 1/2 | 2900 | 1\"/> <tr> <td>U-17</td> <td>"</td> <td>"</td> <td>V-675</td> <td>122</td> <td>1/2</td> <td>2900</td> <td>1\"/&gt;  <tr> <td>U-18</td> <td>"</td> <td>"</td> <td>V-675</td> <td>122</td> <td>1/2</td> <td>2900</td> <td>1\"/&gt;  <tr> <td>U-19</td> <td>"</td> <td>"</td> <td>V-675</td> <td>122</td> <td>1/2</td> <td>2900</td> <td>1\"/&gt;  <tr> <td>U-20</td> <td>"</td> <td>"</td> <td>V-675</td> <td>122</td> <td>1/2</td> <td>2900</td> <td>1\"/&gt;  <tr> <td>U-21</td> <td>"</td> <td>"</td> <td>V-675</td> <td>122</td> <td>1/2</td> <td>2900</td> <td>1\"/&gt;  <tr> <td>U-22</td> <td>"</td> <td>"</td> <td>V-675</td> <td>122</td> <td>1/2</td> <td>2900</td> <td>1\"/&gt;  <tr> <td>U-23</td> <td>"</td> <td>"</td> <td>V-675</td> <td>122</td> <td>1/2</td> <td>2900</td> <td>1\"/&gt;  <tr> <td>U-24</td> <td>"</td> <td>"</td> <td>V-675</td> <td>122</td> <td>1/2</td> <td>2900</td> <td>1\"/&gt;  <tr> <td>U-25</td> <td>"</td> <td>"</td> <td>V-675</td> <td>122</td> <td>1/2</td> <td>2900</td> <td>1\"/&gt;  <tr> <td>U-26</td> <td>"</td> <td>"</td> <td>V-675</td> <td>122</td> <td>1/2</td> <td>2900</td> <td>1\"/&gt;  <tr> <td>U-27</td> <td>"</td> <td>"</td> <td>V-675</td> <td>122</td> <td>1/2</td> <td>2900</td> <td>1\"/&gt;  <tr> <td>U-28</td> <td>"</td> <td>"</td> <td>V-675</td> <td>122</td> <td>1/2</td> <td>2900</td> <td>1\"/&gt;  <tr> <td>U-29</td> <td>"</td> <td>"</td> <td>V-675</td> <td>122</td> <td>1/2</td> <td>2900</td> <td>1\"/&gt;  <tr> <td>U-30</td> <td>"</td> <td>"</td> <td>V-675</td> <td>122</td> <td>1/2</td> <td>2900</td> <td>1\"/&gt;  <tr> <td>U-31</td> <td>"</td> <td>"</td> <td>V-675</td> <td>122</td> <td>1/2</td> <td>2900</td> <td>1\"/&gt;  <tr> <td>U-32</td> <td>"</td> <td>"</td> <td>V-675</td> <td>122</td> <td>1/2</td> <td>2900</td> <td>1\"/&gt;  <tr> <td>U-33</td> <td>"</td> <td>"</td> <td>V-675</td> <td>122</td> <td>1/2</td> <td>2900</td> <td>1\"/&gt;  <tr> <td>U-34</td> <td>"</td> <td>"</td> <td>V-675</td> <td>122</td> <td>1/2</td> <td>2900</td> <td>1\"/&gt;  <tr> <td>U-35</td> <td>"</td> <td>"</td> <td>V-675</td> <td>122</td> <td>1/2</td> <td>2900</td> <td>1\"/&gt;  <tr> <td>U-36</td> <td>"</td> <td>"</td> <td>V-675</td> <td>122</td> <td>1/2</td> <td>2900</td> <td>1\"/&gt;  <tr> <td>U-37</td> <td>"</td> <td>"</td> <td>V-675</td> <td>122</td> <td>1/2</td> <td>2900</td> <td>1\"/&gt;  <tr> <td>U-38</td> <td>"</td> <td>"</td> <td>V-675</td> <td>122</td> <td>1/2</td> <td>2900</td> <td>1\"/&gt;  <tr> <td>U-39</td> <td>"</td> <td>"</td> <td>V-675</td> <td>122</td> <td>1/2</td> <td>2900</td> <td>1\"/&gt;  <tr> <td>U-40</td> <td>"</td> <td>"</td> <td>V-675</td> <td>122</td> <td>1/2</td> <td>2900</td> <td>1\"/&gt;  <tr> <td>U-41</td> <td>"</td> <td>"</td> <td>V-675</td> <td>122</td> <td>1/2</td> <td>2900</td> <td>1\"/&gt;  <tr> <td>U-42</td> <td>"</td> <td>"</td> <td>V-675</td> <td>122</td> <td>1/2</td> <td>2900</td> <td>1\"/&gt;  <tr> <td>U-43</td> <td>"</td> <td>"</td> <td>V-675</td> <td>122</td> <td>1/2</td> <td>2900</td> <td>1\"/&gt;  <tr> <td>U-44</td> <td>"</td> <td>"</td> <td>V-675</td> <td>122</td> <td>1/2</td> <td>2900</td> <td>1\"/&gt;  <tr> <td>U-45</td> <td>"</td> <td>"</td> <td>V-675</td> <td>122</td> <td>1/2</td> <td>2900</td> <td>1\"/&gt;  <tr> <td>U-46</td> <td>"</td> <td>"</td> <td>V-675</td> <td>122</td> <td>1/2</td> <td>2900</td> <td>1\"/&gt;  <tr> <td>U-47</td> <td>"</td> <td>"</td> <td>V-675</td> <td>122</td> <td>1/2</td> <td>2900</td> <td>1\"/&gt;  <tr> <td>U-48</td> <td>"</td> <td>"</td> <td>V-675</td> <td>122</td> <td>1/2</td> <td>2900</td> <td>1\"/&gt;  <tr> <td>U-49</td> <td>"</td> <td>"</td> <td>V-675</td> <td>122</td> <td>1/2</td> <td>2900</td> <td>1\"/&gt;  <tr> <td>U-50</td> <td>"</td> <td>"</td> <td>V-675</td> <td>122</td> <td>1/2</td> <td>2900</td> <td>1\"/&gt;  </td></tr></td></tr></td></tr></td></tr></td></tr></td></tr></td></tr></td></tr></td></tr></td></tr></td></tr></td></tr></td></tr></td></tr></td></tr></td></tr></td></tr></td></tr></td></tr></td></tr></td></tr></td></tr></td></tr></td></tr></td></tr></td></tr></td></tr></td></tr></td></tr></td></tr></td></tr></td></tr></td></tr></td></tr>  | U-17 | " | " | V-675 | 122 | 1/2 | 2900 | 1\"/> <tr> <td>U-18</td> <td>"</td> <td>"</td> <td>V-675</td> <td>122</td> <td>1/2</td> <td>2900</td> <td>1\"/&gt;  <tr> <td>U-19</td> <td>"</td> <td>"</td> <td>V-675</td> <td>122</td> <td>1/2</td> <td>2900</td> <td>1\"/&gt;  <tr> <td>U-20</td> <td>"</td> <td>"</td> <td>V-675</td> <td>122</td> <td>1/2</td> <td>2900</td> <td>1\"/&gt;  <tr> <td>U-21</td> <td>"</td> <td>"</td> <td>V-675</td> <td>122</td> <td>1/2</td> <td>2900</td> <td>1\"/&gt;  <tr> <td>U-22</td> <td>"</td> <td>"</td> <td>V-675</td> <td>122</td> <td>1/2</td> <td>2900</td> <td>1\"/&gt;  <tr> <td>U-23</td> <td>"</td> <td>"</td> <td>V-675</td> <td>122</td> <td>1/2</td> <td>2900</td> <td>1\"/&gt;  <tr> <td>U-24</td> <td>"</td> <td>"</td> <td>V-675</td> <td>122</td> <td>1/2</td> <td>2900</td> <td>1\"/&gt;  <tr> <td>U-25</td> <td>"</td> <td>"</td> <td>V-675</td> <td>122</td> <td>1/2</td> <td>2900</td> <td>1\"/&gt;  <tr> <td>U-26</td> <td>"</td> <td>"</td> <td>V-675</td> <td>122</td> <td>1/2</td> <td>2900</td> <td>1\"/&gt;  <tr> <td>U-27</td> <td>"</td> <td>"</td> <td>V-675</td> <td>122</td> <td>1/2</td> <td>2900</td> <td>1\"/&gt;  <tr> <td>U-28</td> <td>"</td> <td>"</td> <td>V-675</td> <td>122</td> <td>1/2</td> <td>2900</td> <td>1\"/&gt;  <tr> <td>U-29</td> <td>"</td> <td>"</td> <td>V-675</td> <td>122</td> <td>1/2</td> <td>2900</td> <td>1\"/&gt;  <tr> <td>U-30</td> <td>"</td> <td>"</td> <td>V-675</td> <td>122</td> <td>1/2</td> <td>2900</td> <td>1\"/&gt;  <tr> <td>U-31</td> <td>"</td> <td>"</td> <td>V-675</td> <td>122</td> <td>1/2</td> <td>2900</td> <td>1\"/&gt;  <tr> <td>U-32</td> <td>"</td> <td>"</td> <td>V-675</td> <td>122</td> <td>1/2</td> <td>2900</td> <td>1\"/&gt; 
<tr> <td>U-33</td> <td>"</td> <td>"</td> <td>V-675</td> <td>122</td> <td>1/2</td> <td>2900</td> <td>1\"/&gt;  <tr> <td>U-34</td> <td>"</td> <td>"</td> <td>V-675</td> <td>122</td> <td>1/2</td> <td>2900</td> <td>1\"/&gt;  <tr> <td>U-35</td> <td>"</td> <td>"</td> <td>V-675</td> <td>122</td> <td>1/2</td> <td>2900</td> <td>1\"/&gt;  <tr> <td>U-36</td> <td>"</td> <td>"</td> <td>V-675</td> <td>122</td> <td>1/2</td> <td>2900</td> <td>1\"/&gt;  <tr> <td>U-37</td> <td>"</td> <td>"</td> <td>V-675</td> <td>122</td> <td>1/2</td> <td>2900</td> <td>1\"/&gt;  <tr> <td>U-38</td> <td>"</td> <td>"</td> <td>V-675</td> <td>122</td> <td>1/2</td> <td>2900</td> <td>1\"/&gt;  <tr> <td>U-39</td> <td>"</td> <td>"</td> <td>V-675</td> <td>122</td> <td>1/2</td> <td>2900</td> <td>1\"/&gt;  <tr> <td>U-40</td> <td>"</td> <td>"</td> <td>V-675</td> <td>122</td> <td>1/2</td> <td>2900</td> <td>1\"/&gt;  <tr> <td>U-41</td> <td>"</td> <td>"</td> <td>V-675</td> <td>122</td> <td>1/2</td> <td>2900</td> <td>1\"/&gt;  <tr> <td>U-42</td> <td>"</td> <td>"</td> <td>V-675</td> <td>122</td> <td>1/2</td> <td>2900</td> <td>1\"/&gt;  <tr> <td>U-43</td> <td>"</td> <td>"</td> <td>V-675</td> <td>122</td> <td>1/2</td> <td>2900</td> <td>1\"/&gt;  <tr> <td>U-44</td> <td>"</td> <td>"</td> <td>V-675</td> <td>122</td> <td>1/2</td> <td>2900</td> <td>1\"/&gt;  <tr> <td>U-45</td> <td>"</td> <td>"</td> <td>V-675</td> <td>122</td> <td>1/2</td> <td>2900</td> <td>1\"/&gt;  <tr> <td>U-46</td> <td>"</td> <td>"</td> <td>V-675</td> <td>122</td> <td>1/2</td> <td>2900</td> <td>1\"/&gt;  <tr> <td>U-47</td> <td>"</td> <td>"</td> <td>V-675</td> <td>122</td> <td>1/2</td> <td>2900</td> <td>1\"/&gt;  <tr> <td>U-48</td> <td>"</td> <td>"</td> <td>V-675</td> <td>122</td> <td>1/2</td> <td>2900</td> <td>1\"/&gt;  <tr> <td>U-49</td> <td>"</td> <td>"</td> <td>V-675</td> <td>122</td> <td>1/2</td> <td>2900</td> <td>1\"/&gt;  <tr> <td>U-50</td> <td>"</td> <td>"</td> <td>V-675</td> <td>122</td> <td>1/2</td> <td>2900</td> <td>1\"/&gt;  </td></tr></td></tr></td></tr></td></tr></td></tr></td></tr></td></tr></td></tr></td></tr></td></tr></td></tr></td></tr></td></tr></td></tr></td></tr></td></tr></td></tr></td></tr></td></tr></td></tr></td></tr></td></tr></td></tr></td></tr></td></tr></td></tr></td></tr></td></tr></td></tr></td></tr></td></tr></td></tr></td></tr>   | U-18 | " | " | V-675 | 122 | 1/2 | 2900 | 1\"/> <tr> <td>U-19</td> <td>"</td> <td>"</td> <td>V-675</td> <td>122</td> <td>1/2</td> <td>2900</td> <td>1\"/&gt;  <tr> <td>U-20</td> <td>"</td> <td>"</td> <td>V-675</td> <td>122</td> <td>1/2</td> <td>2900</td> <td>1\"/&gt;  <tr> <td>U-21</td> <td>"</td> <td>"</td> <td>V-675</td> <td>122</td> <td>1/2</td> <td>2900</td> <td>1\"/&gt;  <tr> <td>U-22</td> <td>"</td> <td>"</td> <td>V-675</td> <td>122</td> <td>1/2</td> <td>2900</td> <td>1\"/&gt;  <tr> <td>U-23</td> <td>"</td> <td>"</td> <td>V-675</td> <td>122</td> <td>1/2</td> <td>2900</td> <td>1\"/&gt;  <tr> <td>U-24</td> <td>"</td> <td>"</td> <td>V-675</td> <td>122</td> <td>1/2</td> <td>2900</td> <td>1\"/&gt;  <tr> <td>U-25</td> <td>"</td> <td>"</td> <td>V-675</td> <td>122</td> <td>1/2</td> <td>2900</td> <td>1\"/&gt;  <tr> <td>U-26</td> <td>"</td> <td>"</td> <td>V-675</td> <td>122</td> <td>1/2</td> <td>2900</td> <td>1\"/&gt;  <tr> <td>U-27</td> <td>"</td> <td>"</td> <td>V-675</td> <td>122</td> <td>1/2</td> <td>2900</td> <td>1\"/&gt;  <tr> <td>U-28</td> <td>"</td> <td>"</td> <td>V-675</td> <td>122</td> <td>1/2</td> <td>2900</td> <td>1\"/&gt;  <tr> <td>U-29</td> <td>"</td> <td>"</td> <td>V-675</td> <td>122</td> <td>1/2</td> <td>2900</td> <td>1\"/&gt;  <tr> <td>U-30</td> <td>"</td> <td>"</td> <td>V-675</td> <td>122</td> <td>1/2</td> <td>2900</td> <td>1\"/&gt;  <tr> <td>U-31</td> <td>"</td> <td>"</td> <td>V-675</td> <td>122</td> <td>1/2</td> <td>2900</td> <td>1\"/&gt;  <tr> <td>U-32</td> <td>"</td> <td>"</td> <td>V-675</td> <td>122</td> <td>1/2</td> <td>2900</td> <td>1\"/&gt;  <tr> <td>U-33</td> <td>"</td> <td>"</td> <td>V-675</td> <td>122</td> <td>1/2</td> <td>2900</td> <td>1\"/&gt;  <tr> <td>U-34</td> <td>"</td> <td>"</td> <td>V-675</td> <td>122</td> <td>1/2</td> <td>2900</td> <td>1\"/&gt;  <tr> <td>U-35</td> <td>"</td> <td>"</td> <td>V-675</td> <td>122</td> <td>1/2</td> <td>2900</td> <td>1\"/&gt;  <tr> <td>U-36</td> <td>"</td> <td>"</td> <td>V-675</td> <td>122</td> <td>1/2</td> <td>2900</td> <td>1\"/&gt;  <tr> <td>U-37</td> <td>"</td> <td>"</td> <td>V-675</td> <td>122</td> <td>1/2</td> <td>2900</td> <td>1\"/&gt;  <tr> <td>U-38</td> <td>"</td> <td>"</td> <td>V-675</td> <td>122</td> <td>1/2</td> <td>2900</td> <td>1\"/&gt;  <tr> <td>U-39</td> <td>"</td> <td>"</td> <td>V-675</td> <td>122</td> <td>1/2</td> <td>2900</td> <td>1\"/&gt;  <tr> <td>U-40</td> <td>"</td> <td>"</td> <td>V-675</td> <td>122</td> <td>1/2</td> <td>2900</td> <td>1\"/&gt;  <tr> <td>U-41</td> <td>"</td> <td>"</td> <td>V-675</td> <td>122</td> <td>1/2</td> <td>2900</td> <td>1\"/&gt;  <tr> <td>U-42</td> <td>"</td> <td>"</td> <td>V-675</td> <td>122</td> <td>1/2</td> <td>2900</td> <td>1\"/&gt;  <tr> <td>U-43</td> <td>"</td> <td>"</td> <td>V-675</td> <td>122</td> <td>1/2</td> <td>2900</td> <td>1\"/&gt;  <tr> <td>U-44</td> <td>"</td> <td>"</td> <td>V-675</td> <td>122</td> <td>1/2</td> <td>2900</td> <td>1\"/&gt;  <tr> <td>U-45</td> <td>"</td> <td>"</td> <td>V-675</td> <td>122</td> <td>1/2</td> <td>2900</td> <td>1\"/&gt;  <tr> <td>U-46</td> <td>"</td> <td>"</td> <td>V-675</td> <td>122</td> <td>1/2</td> <td>2900</td> <td>1\"/&gt;  <tr> <td>U-47</td> <td>"</td> <td>"</td> <td>V-675</td> <td>122</td> <td>1/2</td> <td>2900</td> <td>1\"/&gt;  <tr> <td>U-48</td> <td>"</td> <td>"</td> <td>V-675</td> <td>122</td> <td>1/2</td> <td>2900</td> <td>1\"/&gt;  <tr> <td>U-49</td> <td>"</td> <td>"</td> <td>V-675</td> <td>122</td> <td>1/2</td> <td>2900</td> <td>1\"/&gt;  <tr> <td>U-50</td> <td>"</td> <td>"</td> <td>V-675</td> <td>122</td> <td>1/2</td> <td>2900</td> <td>1\"/&gt;  </td></tr></td></tr></td></tr></td></tr></td></tr></td></tr></td></tr></td></tr></td></tr></td></tr></td></tr></td></tr></td></tr></td></tr></td></tr></td></tr></td></tr></td></tr></td></tr></td></tr></td></tr></td></tr></td></tr></td></tr></td></tr></td></tr></td></tr></td></tr></td></tr></td></tr></td></tr></td></tr>  | U-19 | " | " | V-675 | 122 | 1/2 | 2900 | 1\"/> <tr> <td>U-20</td> <td>"</td> <td>"</td> <td>V-675</td> <td>122</td> <td>1/2</td> <td>2900</td> <td>1\"/&gt;  <tr> <td>U-21</td> <td>"</td> <td>"</td> <td>V-675</td> <td>122</td> <td>1/2</td> <td>2900</td> <td>1\"/&gt;  <tr> <td>U-22</td> <td>"</td> <td>"</td> <td>V-675</td> <td>122</td> <td>1/2</td> <td>2900</td> <td>1\"/&gt;  <tr> <td>U-23</td> <td>"</td> <td>"</td> <td>V-675</td> <td>122</td> <td>1/2</td> <td>2900</td> <td>1\"/&gt;  <tr> <td>U-24</td> <td>"</td> <td>"</td> <td>V-675</td> <td>122</td> <td>1/2</td> <td>2900</td> <td>1\"/&gt;  <tr> <td>U-25</td> <td>"</td> <td>"</td> <td>V-675</td> <td>122</td> <td>1/2</td> <td>2900</td> <td>1\"/&gt;  <tr> <td>U-26</td> <td>"</td> <td>"</td> <td>V-675</td> <td>122</td> <td>1/2</td> <td>2900</td> <td>1\"/&gt;  <tr> <td>U-27</td> <td>"</td> <td>"</td> <td>V-675</td> <td>122</td> <td>1/2</td> <td>2900</td> <td>1\"/&gt;  <tr> <td>U-28</td> <td>"</td> <td>"</td> <td>V-675</td> <td>122</td> <td>1/2</td> <td>2900</td> <td>1\"/&gt;  <tr> <td>U-29</td> <td>"</td> <td>"</td> <td>V-675</td> <td>122</td> <td>1/2</td> <td>2900</td> <td>1\"/&gt;  <tr> <td>U-30</td> <td>"</td> <td>"</td> <td>V-675</td> <td>122</td> <td>1/2</td> <td>2900</td> <td>1\"/&gt;  <tr> <td>U-31</td> <td>"</td> <td>"</td> <td>V-675</td> <td>122</td> <td>1/2</td> <td>2900</td> <td>1\"/&gt;  <tr> <td>U-32</td> <td>"</td>
<td>"</td> <td>V-675</td> <td>122</td> <td>1/2</td> <td>2900</td> <td>1\"/&gt;  <tr> <td>U-33</td> <td>"</td> <td>"</td> <td>V-675</td> <td>122</td> <td>1/2</td> <td>2900</td> <td>1\"/&gt;  <tr> <td>U-34</td> <td>"</td> <td>"</td> <td>V-675</td> <td>122</td> <td>1/2</td> <td>2900</td> <td>1\"/&gt;  <tr> <td>U-35</td> <td>"</td> <td>"</td> <td>V-675</td> <td>122</td> <td>1/2</td> <td>2900</td> <td>1\"/&gt;  <tr> <td>U-36</td> <td>"</td> <td>"</td> <td>V-675</td> <td>122</td> <td>1/2</td> <td>2900</td> <td>1\"/&gt;  <tr> <td>U-37</td> <td>"</td> <td>"</td> <td>V-675</td> <td>122</td> <td>1/2</td> <td>2900</td> <td>1\"/&gt;  <tr> <td>U-38</td> <td>"</td> <td>"</td> <td>V-675</td> <td>122</td> <td>1/2</td> <td>2900</td> <td>1\"/&gt;  <tr> <td>U-39</td> <td>"</td> <td>"</td> <td>V-675</td> <td>122</td> <td>1/2</td> <td>2900</td> <td>1\"/&gt;  <tr> <td>U-40</td> <td>"</td> <td>"</td> <td>V-675</td> <td>122</td> <td>1/2</td> <td>2900</td> <td>1\"/&gt;  <tr> <td>U-41</td> <td>"</td> <td>"</td> <td>V-675</td> <td>122</td> <td>1/2</td> <td>2900</td> <td>1\"/&gt;  <tr> <td>U-42</td> <td>"</td> <td>"</td> <td>V-675</td> <td>122</td> <td>1/2</td> <td>2900</td> <td>1\"/&gt;  <tr> <td>U-43</td> <td>"</td> <td>"</td> <td>V-675</td> <td>122</td> <td>1/2</td> <td>2900</td> <td>1\"/&gt;  <tr> <td>U-44</td> <td>"</td> <td>"</td> <td>V-675</td> <td>122</td> <td>1/2</td> <td>2900</td> <td>1\"/&gt;  <tr> <td>U-45</td> <td>"</td> <td>"</td> <td>V-675</td> <td>122</td> <td>1/2</td> <td>2900</td> <td>1\"/&gt;  <tr> <td>U-46</td> <td>"</td> <td>"</td> <td>V-675</td> <td>122</td> <td>1/2</td> <td>2900</td> <td>1\"/&gt;  <tr> <td>U-47</td> <td>"</td> <td>"</td> <td>V-675</td> <td>122</td> <td>1/2</td> <td>2900</td> <td>1\"/&gt;  <tr> <td>U-48</td> <td>"</td> <td>"</td> <td>V-675</td> <td>122</td> <td>1/2</td> <td>2900</td> <td>1\"/&gt;  <tr> <td>U-49</td> <td>"</td> <td>"</td> <td>V-675</td> <td>122</td> <td>1/2</td> <td>2900</td> <td>1\"/&gt;  <tr> <td>U-50</td> <td>"</td> <td>"</td> <td>V-675</td> <td>122</td> <td>1/2</td> <td>2900</td> <td>1\"/&gt;  </td></tr></td></tr></td></tr></td></tr></td></tr></td></tr></td></tr></td></tr></td></tr></td></tr></td></tr></td></tr></td></tr></td></tr></td></tr></td></tr></td></tr></td></tr></td></tr></td></tr></td></tr></td></tr></td></tr></td></tr></td></tr></td></tr></td></tr></td></tr></td></tr></td></tr></td></tr>   | U-20 | " | " | V-675 | 122 | 1/2 | 2900 | 1\"/> <tr> <td>U-21</td> <td>"</td> <td>"</td> <td>V-675</td> <td>122</td> <td>1/2</td> <td>2900</td> <td>1\"/&gt;  <tr> <td>U-22</td> <td>"</td> <td>"</td> <td>V-675</td> <td>122</td> <td>1/2</td> <td>2900</td> <td>1\"/&gt;  <tr> <td>U-23</td> <td>"</td> <td>"</td> <td>V-675</td> <td>122</td> <td>1/2</td> <td>2900</td> <td>1\"/&gt;  <tr> <td>U-24</td> <td>"</td> <td>"</td> <td>V-675</td> <td>122</td> <td>1/2</td> <td>2900</td> <td>1\"/&gt;  <tr> <td>U-25</td> <td>"</td> <td>"</td> <td>V-675</td> <td>122</td> <td>1/2</td> <td>2900</td> <td>1\"/&gt;  <tr> <td>U-26</td> <td>"</td> <td>"</td> <td>V-675</td> <td>122</td> <td>1/2</td> <td>2900</td> <td>1\"/&gt;  <tr> <td>U-27</td> <td>"</td> <td>"</td> <td>V-675</td> <td>122</td> <td>1/2</td> <td>2900</td> <td>1\"/&gt;  <tr> <td>U-28</td> <td>"</td> <td>"</td> <td>V-675</td> <td>122</td> <td>1/2</td> <td>2900</td> <td>1\"/&gt;  <tr> <td>U-29</td> <td>"</td> <td>"</td> <td>V-675</td> <td>122</td> <td>1/2</td> <td>2900</td> <td>1\"/&gt;  <tr> <td>U-30</td> <td>"</td> <td>"</td> <td>V-675</td> <td>122</td> <td>1/2</td> <td>2900</td> <td>1\"/&gt;  <tr> <td>U-31</td> <td>"</td> <td>"</td> <td>V-675</td> <td>122</td> <td>1/2</td> <td>2900</td> <td>1\"/&gt;  <tr> <td>U-32</td> <td>"</td> <td>"</td> <td>V-675</td> <td>122</td> <td>1/2</td> <td>2900</td> <td>1\"/&gt;  <tr> <td>U-33</td> <td>"</td> <td>"</td> <td>V-675</td> <td>122</td> <td>1/2</td> <td>2900</td> <td>1\"/&gt;  <tr> <td>U-34</td> <td>"</td> <td>"</td> <td>V-675</td> <td>122</td> <td>1/2</td> <td>2900</td> <td>1\"/&gt;  <tr> <td>U-35</td> <td>"</td> <td>"</td> <td>V-675</td> <td>122</td> <td>1/2</td> <td>2900</td> <td>1\"/&gt;  <tr> <td>U-36</td> <td>"</td> <td>"</td> <td>V-675</td> <td>122</td> <td>1/2</td> <td>2900</td> <td>1\"/&gt;  <tr> <td>U-37</td> <td>"</td> <td>"</td> <td>V-675</td> <td>122</td> <td>1/2</td> <td>2900</td> <td>1\"/&gt;  <tr> <td>U-38</td> <td>"</td> <td>"</td> <td>V-675</td> <td>122</td> <td>1/2</td> <td>2900</td> <td>1\"/&gt;  <tr> <td>U-39</td> <td>"</td> <td>"</td> <td>V-675</td> <td>122</td> <td>1/2</td> <td>2900</td> <td>1\"/&gt;  <tr> <td>U-40</td> <td>"</td> <td>"</td> <td>V-675</td> <td>122</td> <td>1/2</td> <td>2900</td> <td>1\"/&gt;  <tr> <td>U-41</td> <td>"</td> <td>"</td> <td>V-675</td> <td>122</td> <td>1/2</td> <td>2900</td> <td>1\"/&gt;  <tr> <td>U-42</td> <td>"</td> <td>"</td> <td>V-675</td> <td>122</td> <td>1/2</td> <td>2900</td> <td>1\"/&gt;  <tr> <td>U-43</td> <td>"</td> <td>"</td> <td>V-675</td> <td>122</td> <td>1/2</td> <td>2900</td> <td>1\"/&gt;  <tr> <td>U-44</td> <td>"</td> <td>"</td> <td>V-675</td> <td>122</td> <td>1/2</td> <td>2900</td> <td>1\"/&gt;  <tr> <td>U-45</td> <td>"</td> <td>"</td> <td>V-675</td> <td>122</td> <td>1/2</td> <td>2900</td> <td>1\"/&gt;  <tr> <td>U-46</td> <td>"</td> <td>"</td> <td>V-675</td> <td>122</td> <td>1/2</td> <td>2900</td> <td>1\"/&gt;  <tr> <td>U-47</td> <td>"</td> <td>"</td> <td>V-675</td> <td>122</td> <td>1/2</td> <td>2900</td> <td>1\"/&gt;  <tr> <td>U-48</td> <td>"</td> <td>"</td> <td>V-675</td> <td>122</td> <td>1/2</td> <td>2900</td> <td>1\"/&gt;  <tr> <td>U-49</td> <td>"</td> <td>"</td> <td>V-675</td> <td>122</td> <td>1/2</td> <td>2900</td> <td>1\"/&gt;  <tr> <td>U-50</td> <td>"</td> <td>"</td> <td>V-675</td> <td>122</td> <td>1/2</td> <td>2900</td> <td>1\"/&gt;  </td></tr></td></tr></td></tr></td></tr></td></tr></td></tr></td></tr></td></tr></td></tr></td></tr></td></tr></td></tr></td></tr></td></tr></td></tr></td></tr></td></tr></td></tr></td></tr></td></tr></td></tr></td></tr></td></tr></td></tr></td></tr></td></tr></td></tr></td></tr></td></tr></td></tr>   | U-21 | " | " | V-675 | 122 | 1/2 | 2900 | 1\"/> <tr> <td>U-22</td> <td>"</td> <td>"</td> <td>V-675</td> <td>122</td> <td>1/2</td> <td>2900</td> <td>1\"/&gt;  <tr> <td>U-23</td> <td>"</td> <td>"</td> <td>V-675</td> <td>122</td> <td>1/2</td> <td>2900</td> <td>1\"/&gt;  <tr> <td>U-24</td> <td>"</td> <td>"</td> <td>V-675</td> <td>122</td> <td>1/2</td> <td>2900</td> <td>1\"/&gt;  <tr> <td>U-25</td> <td>"</td> <td>"</td> <td>V-675</td> <td>122</td> <td>1/2</td> <td>2900</td> <td>1\"/&gt;  <tr> <td>U-26</td> <td>"</td> <td>"</td> <td>V-675</td> <td>122</td> <td>1/2</td> <td>2900</td> <td>1\"/&gt;  <tr> <td>U-27</td> <td>"</td> <td>"</td> <td>V-675</td> <td>122</td> <td>1/2</td> <td>2900</td> <td>1\"/&gt;  <tr> <td>U-28</td> <td>"</td> <td>"</td> <td>V-675</td> <td>122</td> <td>1/2</td> <td>2900</td> <td>1\"/&gt;  <tr> <td>U-29</td> <td>"</td> <td>"</td> <td>V-675</td> <td>122</td> <td>1/2</td> <td>2900</td> <td>1\"/&gt;  <tr> <td>U-30</td> <td>"</td> <td>"</td> <td>V-675</td> <td>122</td> <td>1/2</td> <td>2900</td> <td>1\"/&gt;  <tr> <td>U-31</td> <td>"</td> <td>"</td> <td>V-675</td> <td>122</td> <td>1/2</td> <td>2900</td> <td>1\"/&gt;  <tr> <td>U-32</td> <td>"</td> <td>"</td> <td>V-675</td> <td>122</td> <td>1/2</td> <td>2900</td> <td>1\"/&gt;  <tr> <td>U-33</td> <td>"</td> <td>"</td> <td>V-675</td> <td>122</td> <td>1/2</td> <td>2900</td> <td>1\"/&gt;  <tr> <td>U-34</td> <td>"</td> <td>"</td> <td>V-675</td> <td>122</td> <td>1/2</td> <td>2900</td> <td>1\"/&gt;  <tr> <td>U-35</td> <td>"</td> <td>"</td> <td>V-675</td> <td>122</td> <td>1/2</td> <td>2900</td>
<td>1\"/&gt;  <tr> <td>U-36</td> <td>"</td> <td>"</td> <td>V-675</td> <td>122</td> <td>1/2</td> <td>2900</td> <td>1\"/&gt;  <tr> <td>U-37</td> <td>"</td> <td>"</td> <td>V-675</td> <td>122</td> <td>1/2</td> <td>2900</td> <td>1\"/&gt;  <tr> <td>U-38</td> <td>"</td> <td>"</td> <td>V-675</td> <td>122</td> <td>1/2</td> <td>2900</td> <td>1\"/&gt;  <tr> <td>U-39</td> <td>"</td> <td>"</td> <td>V-675</td> <td>122</td> <td>1/2</td> <td>2900</td> <td>1\"/&gt;  <tr> <td>U-40</td> <td>"</td> <td>"</td> <td>V-675</td> <td>122</td> <td>1/2</td> <td>2900</td> <td>1\"/&gt;  <tr> <td>U-41</td> <td>"</td> <td>"</td> <td>V-675</td> <td>122</td> <td>1/2</td> <td>2900</td> <td>1\"/&gt;  <tr> <td>U-42</td> <td>"</td> <td>"</td> <td>V-675</td> <td>122</td> <td>1/2</td> <td>2900</td> <td>1\"/&gt;  <tr> <td>U-43</td> <td>"</td> <td>"</td> <td>V-675</td> <td>122</td> <td>1/2</td> <td>2900</td> <td>1\"/&gt;  <tr> <td>U-44</td> <td>"</td> <td>"</td> <td>V-675</td> <td>122</td> <td>1/2</td> <td>2900</td> <td>1\"/&gt;  <tr> <td>U-45</td> <td>"</td> <td>"</td> <td>V-675</td> <td>122</td> <td>1/2</td> <td>2900</td> <td>1\"/&gt;  <tr> <td>U-46</td> <td>"</td> <td>"</td> <td>V-675</td> <td>122</td> <td>1/2</td> <td>2900</td> <td>1\"/&gt;  <tr> <td>U-47</td> <td>"</td> <td>"</td> <td>V-675</td> <td>122</td> <td>1/2</td> <td>2900</td> <td>1\"/&gt;  <tr> <td>U-48</td> <td>"</td> <td>"</td> <td>V-675</td> <td>122</td> <td>1/2</td> <td>2900</td> <td>1\"/&gt;  <tr> <td>U-49</td> <td>"</td> <td>"</td> <td>V-675</td> <td>122</td> <td>1/2</td> <td>2900</td> <td>1\"/&gt;  <tr> <td>U-50</td> <td>"</td> <td>"</td> <td>V-675</td> <td>122</td> <td>1/2</td> <td>2900</td> <td>1\"/&gt;  </td></tr></td></tr></td></tr></td></tr></td></tr></td></tr></td></tr></td></tr></td></tr></td></tr></td></tr></td></tr></td></tr></td></tr></td></tr></td></tr></td></tr></td></tr></td></tr></td></tr></td></tr></td></tr></td></tr></td></tr></td></tr></td></tr></td></tr></td></tr></td></tr>   | U-22 | " | " | V-675 | 122 | 1/2 | 2900 | 1\"/> <tr> <td>U-23</td> <td>"</td> <td>"</td> <td>V-675</td> <td>122</td> <td>1/2</td> <td>2900</td> <td>1\"/&gt;  <tr> <td>U-24</td> <td>"</td> <td>"</td> <td>V-675</td> <td>122</td> <td>1/2</td> <td>2900</td> <td>1\"/&gt;  <tr> <td>U-25</td> <td>"</td> <td>"</td> <td>V-675</td> <td>122</td> <td>1/2</td> <td>2900</td> <td>1\"/&gt;  <tr> <td>U-26</td> <td>"</td> <td>"</td> <td>V-675</td> <td>122</td> <td>1/2</td> <td>2900</td> <td>1\"/&gt;  <tr> <td>U-27</td> <td>"</td> <td>"</td> <td>V-675</td> <td>122</td> <td>1/2</td> <td>2900</td> <td>1\"/&gt;  <tr> <td>U-28</td> <td>"</td> <td>"</td> <td>V-675</td> <td>122</td> <td>1/2</td> <td>2900</td> <td>1\"/&gt;  <tr> <td>U-29</td> <td>"</td> <td>"</td> <td>V-675</td> <td>122</td> <td>1/2</td> <td>2900</td> <td>1\"/&gt;  <tr> <td>U-30</td> <td>"</td> <td>"</td> <td>V-675</td> <td>122</td> <td>1/2</td> <td>2900</td> <td>1\"/&gt;  <tr> <td>U-31</td> <td>"</td> <td>"</td> <td>V-675</td> <td>122</td> <td>1/2</td> <td>2900</td> <td>1\"/&gt;  <tr> <td>U-32</td> <td>"</td> <td>"</td> <td>V-675</td> <td>122</td> <td>1/2</td> <td>2900</td> <td>1\"/&gt;  <tr> <td>U-33</td> <td>"</td> <td>"</td> <td>V-675</td> <td>122</td> <td>1/2</td> <td>2900</td> <td>1\"/&gt;  <tr> <td>U-34</td> <td>"</td> <td>"</td> <td>V-675</td> <td>122</td> <td>1/2</td> <td>2900</td> <td>1\"/&gt;  <tr> <td>U-35</td> <td>"</td> <td>"</td> <td>V-675</td> <td>122</td> <td>1/2</td> <td>2900</td> <td>1\"/&gt;  <tr> <td>U-36</td> <td>"</td> <td>"</td> <td>V-675</td> <td>122</td> <td>1/2</td> <td>2900</td> <td>1\"/&gt;  <tr> <td>U-37</td> <td>"</td> <td>"</td> <td>V-675</td> <td>122</td> <td>1/2</td> <td>2900</td> <td>1\"/&gt;  <tr> <td>U-38</td> <td>"</td> <td>"</td> <td>V-675</td> <td>122</td> <td>1/2</td> <td>2900</td> <td>1\"/&gt;  <tr> <td>U-39</td> <td>"</td> <td>"</td> <td>V-675</td> <td>122</td> <td>1/2</td> <td>2900</td> <td>1\"/&gt;  <tr> <td>U-40</td> <td>"</td> <td>"</td> <td>V-675</td> <td>122</td> <td>1/2</td> <td>2900</td> <td>1\"/&gt;  <tr> <td>U-41</td> <td>"</td> <td>"</td> <td>V-675</td> <td>122</td> <td>1/2</td> <td>2900</td> <td>1\"/&gt;  <tr> <td>U-42</td> <td>"</td> <td>"</td> <td>V-675</td> <td>122</td> <td>1/2</td> <td>2900</td> <td>1\"/&gt;  <tr> <td>U-43</td> <td>"</td> <td>"</td> <td>V-675</td> <td>122</td> <td>1/2</td> <td>2900</td> <td>1\"/&gt;  <tr> <td>U-44</td> <td>"</td> <td>"</td> <td>V-675</td> <td>122</td> <td>1/2</td> <td>2900</td> <td>1\"/&gt;  <tr> <td>U-45</td> <td>"</td> <td>"</td> <td>V-675</td> <td>122</td> <td>1/2</td> <td>2900</td> <td>1\"/&gt;  <tr> <td>U-46</td> <td>"</td> <td>"</td> <td>V-675</td> <td>122</td> <td>1/2</td> <td>2900</td> <td>1\"/&gt;  <tr> <td>U-47</td> <td>"</td> <td>"</td> <td>V-675</td> <td>122</td> <td>1/2</td> <td>2900</td> <td>1\"/&gt;  <tr> <td>U-48</td> <td>"</td> <td>"</td> <td>V-675</td> <td>122</td> <td>1/2</td> <td>2900</td> <td>1\"/&gt;  <tr> <td>U-49</td> <td>"</td> <td>"</td> <td>V-675</td> <td>122</td> <td>1/2</td> <td>2900</td> <td>1\"/&gt;  <tr> <td>U-50</td> <td>"</td> <td>"</td> <td>V-675</td> <td>122</td> <td>1/2</td> <td>2900</td> <td>1\"/&gt;  </td></tr></td></tr></td></tr></td></tr></td></tr></td></tr></td></tr></td></tr></td></tr></td></tr></td></tr></td></tr></td></tr></td></tr></td></tr></td></tr></td></tr></td></tr></td></tr></td></tr></td></tr></td></tr></td></tr></td></tr></td></tr></td></tr></td></tr></td></tr>   | U-23 | " | " | V-675 | 122 | 1/2 | 2900 | 1\"/> <tr> <td>U-24</td> <td>"</td> <td>"</td> <td>V-675</td> <td>122</td> <td>1/2</td> <td>2900</td> <td>1\"/&gt;  <tr> <td>U-25</td> <td>"</td> <td>"</td> <td>V-675</td> <td>122</td> <td>1/2</td> <td>2900</td> <td>1\"/&gt;  <tr> <td>U-26</td> <td>"</td> <td>"</td> <td>V-675</td> <td>122</td> <td>1/2</td> <td>2900</td> <td>1\"/&gt;  <tr> <td>U-27</td> <td>"</td> <td>"</td> <td>V-675</td> <td>122</td> <td>1/2</td> <td>2900</td> <td>1\"/&gt;  <tr> <td>U-28</td> <td>"</td> <td>"</td> <td>V-675</td> <td>122</td> <td>1/2</td> <td>2900</td> <td>1\"/&gt;  <tr> <td>U-29</td> <td>"</td> <td>"</td> <td>V-675</td> <td>122</td> <td>1/2</td> <td>2900</td> <td>1\"/&gt;  <tr> <td>U-30</td> <td>"</td> <td>"</td> <td>V-675</td> <td>122</td> <td>1/2</td> <td>2900</td> <td>1\"/&gt;  <tr> <td>U-31</td> <td>"</td> <td>"</td> <td>V-675</td> <td>122</td> <td>1/2</td> <td>2900</td> <td>1\"/&gt;  <tr> <td>U-32</td> <td>"</td> <td>"</td> <td>V-675</td> <td>122</td> <td>1/2</td> <td>2900</td> <td>1\"/&gt;  <tr> <td>U-33</td> <td>"</td> <td>"</td> <td>V-675</td> <td>122</td> <td>1/2</td> <td>2900</td> <td>1\"/&gt;  <tr> <td>U-34</td> <td>"</td> <td>"</td> <td>V-675</td> <td>122</td> <td>1/2</td> <td>2900</td> <td>1\"/&gt;  <tr> <td>U-35</td> <td>"</td> <td>"</td> <td>V-675</td> <td>122</td> <td>1/2</td> <td>2900</td> <td>1\"/&gt;  <tr> <td>U-36</td> <td>"</td> <td>"</td> <td>V-675</td> <td>122</td> <td>1/2</td> <td>2900</td> <td>1\"/&gt;  <tr> <td>U-37</td> <td>"</td> <td>"</td> <td>V-675</td> <td>122</td> <td>1/2</td> <td>2900</td> <td>1\"/&gt;  <tr> <td>U-38</td> <td>"</td> <td>"</td> <td>V-675</td> <td>122</td> <td>1/2</td> <td>2900</td> <td>1\"/&gt;  <tr> <td>U-39</td> <td>"</td> <td>"</td> <td>V-675</td> <td>122</td> <td>1/2</td> <td>2900</td> <td>1\"/&gt;  <tr> <td>U-40</td> <td>"</td> <td>"</td> <td>V-675</td> <td>122</td> <td>1/2</td> <td>2900</td> <td>1\"/&gt;  <tr> <td>U-41</td> <td>"</td> <td>"</td> <td>V-675</td> <td>122</td> <td>1/2</td> <td>2900</td> <td>1\"/&gt;  <tr> <td>U-42</td> <td>"</td> <td>"</td> <td>V-675</td> <td>122</td> <td>1/2</td> <td>2900</td> <td>1\"/&gt;  <tr> <td>U-43</td> <td>"</td> <td>"</td> <td>V-675</td> <td>122</td> <td>1/2</td>
<td>2900</td> <td>1\"/&gt;  <tr> <td>U-44</td> <td>"</td> <td>"</td> <td>V-675</td> <td>122</td> <td>1/2</td> <td>2900</td> <td>1\"/&gt;  <tr> <td>U-45</td> <td>"</td> <td>"</td> <td>V-675</td> <td>122</td> <td>1/2</td> <td>2900</td> <td>1\"/&gt;  <tr> <td>U-46</td> <td>"</td> <td>"</td> <td>V-675</td> <td>122</td> <td>1/2</td> <td>2900</td> <td>1\"/&gt;  <tr> <td>U-47</td> <td>"</td> <td>"</td> <td>V-675</td> <td>122</td> <td>1/2</td> <td>2900</td> <td>1\"/&gt;  <tr> <td>U-48</td> <td>"</td> <td>"</td> <td>V-675</td> <td>122</td> <td>1/2</td> <td>2900</td> <td>1\"/&gt;  <tr> <td>U-49</td> <td>"</td> <td>"</td> <td>V-675</td> <td>122</td> <td>1/2</td> <td>2900</td> <td>1\"/&gt;  <tr> <td>U-50</td> <td>"</td> <td>"</td> <td>V-675</td> <td>122</td> <td>1/2</td> <td>2900</td> <td>1\"/&gt;  </td></tr></td></tr></td></tr></td></tr></td></tr></td></tr></td></tr></td></tr></td></tr></td></tr></td></tr></td></tr></td></tr></td></tr></td></tr></td></tr></td></tr></td></tr></td></tr></td></tr></td></tr></td></tr></td></tr></td></tr></td></tr></td></tr></td></tr>   | U-24 | " | " | V-675 | 122 | 1/2 | 2900 | 1\"/> <tr> <td>U-25</td> <td>"</td> <td>"</td> <td>V-675</td> <td>122</td> <td>1/2</td> <td>2900</td> <td>1\"/&gt;  <tr> <td>U-26</td> <td>"</td> <td>"</td> <td>V-675</td> <td>122</td> <td>1/2</td> <td>2900</td> <td>1\"/&gt;  <tr> <td>U-27</td> <td>"</td> <td>"</td> <td>V-675</td> <td>122</td> <td>1/2</td> <td>2900</td> <td>1\"/&gt;  <tr> <td>U-28</td> <td>"</td> <td>"</td> <td>V-675</td> <td>122</td> <td>1/2</td> <td>2900</td> <td>1\"/&gt;  <tr> <td>U-29</td> <td>"</td> <td>"</td> <td>V-675</td> <td>122</td> <td>1/2</td> <td>2900</td> <td>1\"/&gt;  <tr> <td>U-30</td> <td>"</td> <td>"</td> <td>V-675</td> <td>122</td> <td>1/2</td> <td>2900</td> <td>1\"/&gt;  <tr> <td>U-31</td> <td>"</td> <td>"</td> <td>V-675</td> <td>122</td> <td>1/2</td> <td>2900</td> <td>1\"/&gt;  <tr> <td>U-32</td> <td>"</td> <td>"</td> <td>V-675</td> <td>122</td> <td>1/2</td> <td>2900</td> <td>1\"/&gt;  <tr> <td>U-33</td> <td>"</td> <td>"</td> <td>V-675</td> <td>122</td> <td>1/2</td> <td>2900</td> <td>1\"/&gt;  <tr> <td>U-34</td> <td>"</td> <td>"</td> <td>V-675</td> <td>122</td> <td>1/2</td> <td>2900</td> <td>1\"/&gt;  <tr> <td>U-35</td> <td>"</td> <td>"</td> <td>V-675</td> <td>122</td> <td>1/2</td> <td>2900</td> <td>1\"/&gt;  <tr> <td>U-36</td> <td>"</td> <td>"</td> <td>V-675</td> <td>122</td> <td>1/2</td> <td>2900</td> <td>1\"/&gt;  <tr> <td>U-37</td> <td>"</td> <td>"</td> <td>V-675</td> <td>122</td> <td>1/2</td> <td>2900</td> <td>1\"/&gt;  <tr> <td>U-38</td> <td>"</td> <td>"</td> <td>V-675</td> <td>122</td> <td>1/2</td> <td>2900</td> <td>1\"/&gt;  <tr> <td>U-39</td> <td>"</td> <td>"</td> <td>V-675</td> <td>122</td> <td>1/2</td> <td>2900</td> <td>1\"/&gt;  <tr> <td>U-40</td> <td>"</td> <td>"</td> <td>V-675</td> <td>122</td> <td>1/2</td> <td>2900</td> <td>1\"/&gt;  <tr> <td>U-41</td> <td>"</td> <td>"</td> <td>V-675</td> <td>122</td> <td>1/2</td> <td>2900</td> <td>1\"/&gt;  <tr> <td>U-42</td> <td>"</td> <td>"</td> <td>V-675</td> <td>122</td> <td>1/2</td> <td>2900</td> <td>1\"/&gt;  <tr> <td>U-43</td> <td>"</td> <td>"</td> <td>V-675</td> <td>122</td> <td>1/2</td> <td>2900</td> <td>1\"/&gt;  <tr> <td>U-44</td> <td>"</td> <td>"</td> <td>V-675</td> <td>122</td> <td>1/2</td> <td>2900</td> <td>1\"/&gt;  <tr> <td>U-45</td> <td>"</td> <td>"</td> <td>V-675</td> <td>122</td> <td>1/2</td> <td>2900</td> <td>1\"/&gt;  <tr> <td>U-46</td> <td>"</td> <td>"</td> <td>V-675</td> <td>122</td> <td>1/2</td> <td>2900</td> <td>1\"/&gt;  <tr> <td>U-47</td> <td>"</td> <td>"</td> <td>V-675</td> <td>122</td> <td>1/2</td> <td>2900</td> <td>1\"/&gt;  <tr> <td>U-48</td> <td>"</td> <td>"</td> <td>V-675</td> <td>122</td> <td>1/2</td> <td>2900</td> <td>1\"/&gt;  <tr> <td>U-49</td> <td>"</td> <td>"</td> <td>V-675</td> <td>122</td> <td>1/2</td> <td>2900</td> <td>1\"/&gt;  <tr> <td>U-50</td> <td>"</td> <td>"</td> <td>V-675</td> <td>122</td> <td>1/2</td> <td>2900</td> <td>1\"/&gt;  </td></tr></td></tr></td></tr></td></tr></td></tr></td></tr></td></tr></td></tr></td></tr></td></tr></td></tr></td></tr></td></tr></td></tr></td></tr></td></tr></td></tr></td></tr></td></tr></td></tr></td></tr></td></tr></td></tr></td></tr></td></tr></td></tr>   | U-25 | " | " | V-675 | 122 | 1/2 | 2900 | 1\"/> <tr> <td>U-26</td> <td>"</td> <td>"</td> <td>V-675</td> <td>122</td> <td>1/2</td> <td>2900</td> <td>1\"/&gt;  <tr> <td>U-27</td> <td>"</td> <td>"</td> <td>V-675</td> <td>122</td> <td>1/2</td> <td>2900</td> <td>1\"/&gt;  <tr> <td>U-28</td> <td>"</td> <td>"</td> <td>V-675</td> <td>122</td> <td>1/2</td> <td>2900</td> <td>1\"/&gt;  <tr> <td>U-29</td> <td>"</td> <td>"</td> <td>V-675</td> <td>122</td> <td>1/2</td> <td>2900</td> <td>1\"/&gt;  <tr> <td>U-30</td> <td>"</td> <td>"</td> <td>V-675</td> <td>122</td> <td>1/2</td> <td>2900</td> <td>1\"/&gt;  <tr> <td>U-31</td> <td>"</td> <td>"</td> <td>V-675</td> <td>122</td> <td>1/2</td> <td>2900</td> <td>1\"/&gt;  <tr> <td>U-32</td> <td>"</td> <td>"</td> <td>V-675</td> <td>122</td> <td>1/2</td> <td>2900</td> <td>1\"/&gt;  <tr> <td>U-33</td> <td>"</td> <td>"</td> <td>V-675</td> <td>122</td> <td>1/2</td> <td>2900</td> <td>1\"/&gt;  <tr> <td>U-34</td> <td>"</td> <td>"</td> <td>V-675</td> <td>122</td> <td>1/2</td> <td>2900</td> <td>1\"/&gt;  <tr> <td>U-35</td> <td>"</td> <td>"</td> <td>V-675</td> <td>122</td> <td>1/2</td> <td>2900</td> <td>1\"/&gt;  <tr> <td>U-36</td> <td>"</td> <td>"</td> <td>V-675</td> <td>122</td> <td>1/2</td> <td>2900</td> <td>1\"/&gt;  <tr> <td>U-37</td> <td>"</td> <td>"</td> <td>V-675</td> <td>122</td> <td>1/2</td> <td>2900</td> <td>1\"/&gt;  <tr> <td>U-38</td> <td>"</td> <td>"</td> <td>V-675</td> <td>122</td> <td>1/2</td> <td>2900</td> <td>1\"/&gt;  <tr> <td>U-39</td> <td>"</td> <td>"</td> <td>V-675</td> <td>122</td> <td>1/2</td> <td>2900</td> <td>1\"/&gt;  <tr> <td>U-40</td> <td>"</td> <td>"</td> <td>V-675</td> <td>122</td> <td>1/2</td> <td>2900</td> <td>1\"/&gt;  <tr> <td>U-41</td> <td>"</td> <td>"</td> <td>V-675</td> <td>122</td> <td>1/2</td> <td>2900</td> <td>1\"/&gt;  <tr> <td>U-42</td> <td>"</td> <td>"</td> <td>V-675</td> <td>122</td> <td>1/2</td> <td>2900</td> <td>1\"/&gt;  <tr> <td>U-43</td> <td>"</td> <td>"</td> <td>V-675</td> <td>122</td> <td>1/2</td> <td>2900</td> <td>1\"/&gt;  <tr> <td>U-44</td> <td>"</td> <td>"</td> <td>V-675</td> <td>122</td> <td>1/2</td> <td>2900</td> <td>1\"/&gt;  <tr> <td>U-45</td> <td>"</td> <td>"</td> <td>V-675</td> <td>122</td> <td>1/2</td> <td>2900</td> <td>1\"/&gt;  <tr> <td>U-46</td> <td>"</td> <td>"</td> <td>V-675</td> <td>122</td> <td>1/2</td> <td>2900</td> <td>1\"/&gt;  <tr> <td>U-47</td> <td>"</td> <td>"</td> <td>V-675</td> <td>122</td> <td>1/2</td> <td>2900</td> <td>1\"/&gt;  <tr> <td>U-48</td> <td>"</td> <td>"</td> <td>V-675</td> <td>122</td> <td>1/2</td> <td>2900</td> <td>1\"/&gt;  <tr> <td>U-49</td> <td>"</td> <td>"</td> <td>V-675</td> <td>122</td> <td>1/2</td> <td>2900</td> <td>1\"/&gt;  <tr> <td>U-50</td> <td>"</td> <td>"</td> <td>V-675</td> <td>122</td> <td>1/2</td> <td>2900</td> <td>1\"/&gt;  </td></tr></td></tr></td></tr></td></tr></td></tr></td></tr></td></tr></td></tr></td></tr></td></tr></td></tr></td></tr></td></tr></td></tr></td></tr></td></tr></td></tr></td></tr></td></tr></td></tr></td></tr></td></tr></td></tr></td></tr></td></tr>   
   | U-26 | " | " | V-675 | 122 | 1/2 | 2900 | 1\"/> <tr> <td>U-27</td> <td>"</td> <td>"</td> <td>V-675</td> <td>122</td> <td>1/2</td> <td>2900</td> <td>1\"/&gt;  <tr> <td>U-28</td> <td>"</td> <td>"</td> <td>V-675</td> <td>122</td> <td>1/2</td> <td>2900</td> <td>1\"/&gt;  <tr> <td>U-29</td> <td>"</td> <td>"</td> <td>V-675</td> <td>122</td> <td>1/2</td> <td>2900</td> <td>1\"/&gt;  <tr> <td>U-30</td> <td>"</td> <td>"</td> <td>V-675</td> <td>122</td> <td>1/2</td> <td>2900</td> <td>1\"/&gt;  <tr> <td>U-31</td> <td>"</td> <td>"</td> <td>V-675</td> <td>122</td> <td>1/2</td> <td>2900</td> <td>1\"/&gt;  <tr> <td>U-32</td> <td>"</td> <td>"</td> <td>V-675</td> <td>122</td> <td>1/2</td> <td>2900</td> <td>1\"/&gt;  <tr> <td>U-33</td> <td>"</td> <td>"</td> <td>V-675</td> <td>122</td> <td>1/2</td> <td>2900</td> <td>1\"/&gt;  <tr> <td>U-34</td> <td>"</td> <td>"</td> <td>V-675</td> <td>122</td> <td>1/2</td> <td>2900</td> <td>1\"/&gt;  <tr> <td>U-35</td> <td>"</td> <td>"</td> <td>V-675</td> <td>122</td> <td>1/2</td> <td>2900</td> <td>1\"/&gt;  <tr> <td>U-36</td> <td>"</td> <td>"</td> <td>V-675</td> <td>122</td> <td>1/2</td> <td>2900</td> <td>1\"/&gt;  <tr> <td>U-37</td> <td>"</td> <td>"</td> <td>V-675</td> <td>122</td> <td>1/2</td> <td>2900</td> <td>1\"/&gt;  <tr> <td>U-38</td> <td>"</td> <td>"</td> <td>V-675</td> <td>122</td> <td>1/2</td> <td>2900</td> <td>1\"/&gt;  <tr> <td>U-39</td> <td>"</td> <td>"</td> <td>V-675</td> <td>122</td> <td>1/2</td> <td>2900</td> <td>1\"/&gt;  <tr> <td>U-40</td> <td>"</td> <td>"</td> <td>V-675</td> <td>122</td> <td>1/2</td> <td>2900</td> <td>1\"/&gt;  <tr> <td>U-41</td> <td>"</td> <td>"</td> <td>V-675</td> <td>122</td> <td>1/2</td> <td>2900</td> <td>1\"/&gt;  <tr> <td>U-42</td> <td>"</td> <td>"</td> <td>V-675</td> <td>122</td> <td>1/2</td> <td>2900</td> <td>1\"/&gt;  <tr> <td>U-43</td> <td>"</td> <td>"</td> <td>V-675</td> <td>122</td> <td>1/2</td> <td>2900</td> <td>1\"/&gt;  <tr> <td>U-44</td> <td>"</td> <td>"</td> <td>V-675</td> <td>122</td> <td>1/2</td> <td>2900</td> <td>1\"/&gt;  <tr> <td>U-45</td> <td>"</td> <td>"</td> <td>V-675</td> <td>122</td> <td>1/2</td> <td>2900</td> <td>1\"/&gt;  <tr> <td>U-46</td> <td>"</td> <td>"</td> <td>V-675</td> <td>122</td> <td>1/2</td> <td>2900</td> <td>1\"/&gt;  <tr> <td>U-47</td> <td>"</td> <td>"</td> <td>V-675</td> <td>122</td> <td>1/2</td> <td>2900</td> <td>1\"/&gt;  <tr> <td>U-48</td> <td>"</td> <td>"</td> <td>V-675</td> <td>122</td> <td>1/2</td> <td>2900</td> <td>1\"/&gt;  <tr> <td>U-49</td> <td>"</td> <td>"</td> <td>V-675</td> <td>122</td> <td>1/2</td> <td>2900</td> <td>1\"/&gt;  <tr> <td>U-50</td> <td>"</td> <td>"</td> <td>V-675</td> <td>122</td> <td>1/2</td> <td>2900</td> <td>1\"/&gt;  </td></tr></td></tr></td></tr></td></tr></td></tr></td></tr></td></tr></td></tr></td></tr></td></tr></td></tr></td></tr></td></tr></td></tr></td></tr></td></tr></td></tr></td></tr></td></tr></td></tr></td></tr></td></tr></td></tr></td></tr>   | U-27 | " | " | V-675 | 122 | 1/2 | 2900 | 1\"/> <tr> <td>U-28</td> <td>"</td> <td>"</td> <td>V-675</td> <td>122</td> <td>1/2</td> <td>2900</td> <td>1\"/&gt;  <tr> <td>U-29</td> <td>"</td> <td>"</td> <td>V-675</td> <td>122</td> <td>1/2</td> <td>2900</td> <td>1\"/&gt;  <tr> <td>U-30</td> <td>"</td> <td>"</td> <td>V-675</td> <td>122</td> <td>1/2</td> <td>2900</td> <td>1\"/&gt;  <tr> <td>U-31</td> <td>"</td> <td>"</td> <td>V-675</td> <td>122</td> <td>1/2</td> <td>2900</td> <td>1\"/&gt;  <tr> <td>U-32</td> <td>"</td> <td>"</td> <td>V-675</td> <td>122</td> <td>1/2</td> <td>2900</td> <td>1\"/&gt;  <tr> <td>U-33</td> <td>"</td> <td>"</td> <td>V-675</td> <td>122</td> <td>1/2</td> <td>2900</td> <td>1\"/&gt;  <tr> <td>U-34</td> <td>"</td> <td>"</td> <td>V-675</td> <td>122</td> <td>1/2</td> <td>2900</td> <td>1\"/&gt;  <tr> <td>U-35</td> <td>"</td> <td>"</td> <td>V-675</td> <td>122</td> <td>1/2</td> <td>2900</td> <td>1\"/&gt;  <tr> <td>U-36</td> <td>"</td> <td>"</td> <td>V-675</td> <td>122</td> <td>1/2</td> <td>2900</td> <td>1\"/&gt;  <tr> <td>U-37</td> <td>"</td> <td>"</td> <td>V-675</td> <td>122</td> <td>1/2</td> <td>2900</td> <td>1\"/&gt;  <tr> <td>U-38</td> <td>"</td> <td>"</td> <td>V-675</td> <td>122</td> <td>1/2</td> <td>2900</td> <td>1\"/&gt;  <tr> <td>U-39</td> <td>"</td> <td>"</td> <td>V-675</td> <td>122</td> <td>1/2</td> <td>2900</td> <td>1\"/&gt;  <tr> <td>U-40</td> <td>"</td> <td>"</td> <td>V-675</td> <td>122</td> <td>1/2</td> <td>2900</td> <td>1\"/&gt;  <tr> <td>U-41</td> <td>"</td> <td>"</td> <td>V-675</td> <td>122</td> <td>1/2</td> <td>2900</td> <td>1\"/&gt;  <tr> <td>U-42</td> <td>"</td> <td>"</td> <td>V-675</td> <td>122</td> <td>1/2</td> <td>2900</td> <td>1\"/&gt;  <tr> <td>U-43</td> <td>"</td> <td>"</td> <td>V-675</td> <td>122</td> <td>1/2</td> <td>2900</td> <td>1\"/&gt;  <tr> <td>U-44</td> <td>"</td> <td>"</td> <td>V-675</td> <td>122</td> <td>1/2</td> <td>2900</td> <td>1\"/&gt;  <tr> <td>U-45</td> <td>"</td> <td>"</td> <td>V-675</td> <td>122</td> <td>1/2</td> <td>2900</td> <td>1\"/&gt;  <tr> <td>U-46</td> <td>"</td> <td>"</td> <td>V-675</td> <td>122</td> <td>1/2</td> <td>2900</td> <td>1\"/&gt;  <tr> <td>U-47</td> <td>"</td> <td>"</td> <td>V-675</td> <td>122</td> <td>1/2</td> <td>2900</td> <td>1\"/&gt;  <tr> <td>U-48</td> <td>"</td> <td>"</td> <td>V-675</td> <td>122</td> <td>1/2</td> <td>2900</td> <td>1\"/&gt;  <tr> <td>U-49</td> <td>"</td> <td>"</td> <td>V-675</td> <td>122</td> <td>1/2</td> <td>2900</td> <td>1\"/&gt;  <tr> <td>U-50</td> <td>"</td> <td>"</td> <td>V-675</td> <td>122</td> <td>1/2</td> <td>2900</td> <td>1\"/&gt;  </td></tr></td></tr></td></tr></td></tr></td></tr></td></tr></td></tr></td></tr></td></tr></td></tr></td></tr></td></tr></td></tr></td></tr></td></tr></td></tr></td></tr></td></tr></td></tr></td></tr></td></tr></td></tr></td></tr>   | U-28 | " | " | V-675 | 122 | 1/2 | 2900 | 1\"/> <tr> <td>U-29</td> <td>"</td> <td>"</td> <td>V-675</td> <td>122</td> <td>1/2</td> <td>2900</td> <td>1\"/&gt;  <tr> <td>U-30</td> <td>"</td> <td>"</td> <td>V-675</td> <td>122</td> <td>1/2</td> <td>2900</td> <td>1\"/&gt;  <tr> <td>U-31</td> <td>"</td> <td>"</td> <td>V-675</td> <td>122</td> <td>1/2</td> <td>2900</td> <td>1\"/&gt;  <tr> <td>U-32</td> <td>"</td> <td>"</td> <td>V-675</td> <td>122</td> <td>1/2</td> <td>2900</td> <td>1\"/&gt;  <tr> <td>U-33</td> <td>"</td> <td>"</td> <td>V-675</td> <td>122</td> <td>1/2</td> <td>2900</td> <td>1\"/&gt;  <tr> <td>U-34</td> <td>"</td> <td>"</td> <td>V-675</td> <td>122</td> <td>1/2</td> <td>2900</td> <td>1\"/&gt;  <tr> <td>U-35</td> <td>"</td> <td>"</td> <td>V-675</td> <td>122</td> <td>1/2</td> <td>2900</td> <td>1\"/&gt;  <tr> <td>U-36</td> <td>"</td> <td>"</td> <td>V-675</td> <td>122</td> <td>1/2</td> <td>2900</td> <td>1\"/&gt;  <tr> <td>U-37</td> <td>"</td>
<td>"</td> <td>V-675</td> <td>122</td> <td>1/2</td> <td>2900</td> <td>1\"/&gt;  <tr> <td>U-38</td> <td>"</td> <td>"</td> <td>V-675</td> <td>122</td> <td>1/2</td> <td>2900</td> <td>1\"/&gt;  <tr> <td>U-39</td> <td>"</td> <td>"</td> <td>V-675</td> <td>122</td> <td>1/2</td> <td>2900</td> <td>1\"/&gt;  <tr> <td>U-40</td> <td>"</td> <td>"</td> <td>V-675</td> <td>122</td> <td>1/2</td> <td>2900</td> <td>1\"/&gt;  <tr> <td>U-41</td> <td>"</td> <td>"</td> <td>V-675</td> <td>122</td> <td>1/2</td> <td>2900</td> <td>1\"/&gt;  <tr> <td>U-42</td> <td>"</td> <td>"</td> <td>V-675</td> <td>122</td> <td>1/2</td> <td>2900</td> <td>1\"/&gt;  <tr> <td>U-43</td> <td>"</td> <td>"</td> <td>V-675</td> <td>122</td> <td>1/2</td> <td>2900</td> <td>1\"/&gt;  <tr> <td>U-44</td> <td>"</td> <td>"</td> <td>V-675</td> <td>122</td> <td>1/2</td> <td>2900</td> <td>1\"/&gt;  <tr> <td>U-45</td> <td>"</td> <td>"</td> <td>V-675</td> <td>122</td> <td>1/2</td> <td>2900</td> <td>1\"/&gt;  <tr> <td>U-46</td> <td>"</td> <td>"</td> <td>V-675</td> <td>122</td> <td>1/2</td> <td>2900</td> <td>1\"/&gt;  <tr> <td>U-47</td> <td>"</td> <td>"</td> <td>V-675</td> <td>122</td> <td>1/2</td> <td>2900</td> <td>1\"/&gt;  <tr> <td>U-48</td> <td>"</td> <td>"</td> <td>V-675</td> <td>122</td> <td>1/2</td> <td>2900</td> <td>1\"/&gt;  <tr> <td>U-49</td> <td>"</td> <td>"</td> <td>V-675</td> <td>122</td> <td>1/2</td> <td>2900</td> <td>1\"/&gt;  <tr> <td>U-50</td> <td>"</td> <td>"</td> <td>V-675</td> <td>122</td> <td>1/2</td> <td>2900</td> <td>1\"/&gt;  </td></tr></td></tr></td></tr></td></tr></td></tr></td></tr></td></tr></td></tr></td></tr></td></tr></td></tr></td></tr></td></tr></td></tr></td></tr></td></tr></td></tr></td></tr></td></tr></td></tr></td></tr></td></tr>   | U-29 | " | " | V-675 | 122 | 1/2 | 2900 | 1\"/> <tr> <td>U-30</td> <td>"</td> <td>"</td> <td>V-675</td> <td>122</td> <td>1/2</td> <td>2900</td> <td>1\"/&gt;  <tr> <td>U-31</td> <td>"</td> <td>"</td> <td>V-675</td> <td>122</td> <td>1/2</td> <td>2900</td> <td>1\"/&gt;  <tr> <td>U-32</td> <td>"</td> <td>"</td> <td>V-675</td> <td>122</td> <td>1/2</td> <td>2900</td> <td>1\"/&gt;  <tr> <td>U-33</td> <td>"</td> <td>"</td> <td>V-675</td> <td>122</td> <td>1/2</td> <td>2900</td> <td>1\"/&gt;  <tr> <td>U-34</td> <td>"</td> <td>"</td> <td>V-675</td> <td>122</td> <td>1/2</td> <td>2900</td> <td>1\"/&gt;  <tr> <td>U-35</td> <td>"</td> <td>"</td> <td>V-675</td> <td>122</td> <td>1/2</td> <td>2900</td> <td>1\"/&gt;  <tr> <td>U-36</td> <td>"</td> <td>"</td> <td>V-675</td> <td>122</td> <td>1/2</td> <td>2900</td> <td>1\"/&gt;  <tr> <td>U-37</td> <td>"</td> <td>"</td> <td>V-675</td> <td>122</td> <td>1/2</td> <td>2900</td> <td>1\"/&gt;  <tr> <td>U-38</td> <td>"</td> <td>"</td> <td>V-675</td> <td>122</td> <td>1/2</td> <td>2900</td> <td>1\"/&gt;  <tr> <td>U-39</td> <td>"</td> <td>"</td> <td>V-675</td> <td>122</td> <td>1/2</td> <td>2900</td> <td>1\"/&gt;  <tr> <td>U-40</td> <td>"</td> <td>"</td> <td>V-675</td> <td>122</td> <td>1/2</td> <td>2900</td> <td>1\"/&gt;  <tr> <td>U-41</td> <td>"</td> <td>"</td> <td>V-675</td> <td>122</td> <td>1/2</td> <td>2900</td> <td>1\"/&gt;  <tr> <td>U-42</td> <td>"</td> <td>"</td> <td>V-675</td> <td>122</td> <td>1/2</td> <td>2900</td> <td>1\"/&gt;  <tr> <td>U-43</td> <td>"</td> <td>"</td> <td>V-675</td> <td>122</td> <td>1/2</td> <td>2900</td> <td>1\"/&gt;  <tr> <td>U-44</td> <td>"</td> <td>"</td> <td>V-675</td> <td>122</td> <td>1/2</td> <td>2900</td> <td>1\"/&gt;  <tr> <td>U-45</td> <td>"</td> <td>"</td> <td>V-675</td> <td>122</td> <td>1/2</td> <td>2900</td> <td>1\"/&gt;  <tr> <td>U-46</td> <td>"</td> <td>"</td> <td>V-675</td> <td>122</td> <td>1/2</td> <td>2900</td> <td>1\"/&gt;  <tr> <td>U-47</td> <td>"</td> <td>"</td> <td>V-675</td> <td>122</td> <td>1/2</td> <td>2900</td> <td>1\"/&gt;  <tr> <td>U-48</td> <td>"</td> <td>"</td> <td>V-675</td> <td>122</td> <td>1/2</td> <td>2900</td> <td>1\"/&gt;  <tr> <td>U-49</td> <td>"</td> <td>"</td> <td>V-675</td> <td>122</td> <td>1/2</td> <td>2900</td> <td>1\"/&gt;  <tr> <td>U-50</td> <td>"</td> <td>"</td> <td>V-675</td> <td>122</td> <td>1/2</td> <td>2900</td> <td>1\"/&gt;  </td></tr></td></tr></td></tr></td></tr></td></tr></td></tr></td></tr></td></tr></td></tr></td></tr></td></tr></td></tr></td></tr></td></tr></td></tr></td></tr></td></tr></td></tr></td></tr></td></tr></td></tr>   | U-30 | " | " | V-675 | 122 | 1/2 | 2900 | 1\"/> <tr> <td>U-31</td> <td>"</td> <td>"</td> <td>V-675</td> <td>122</td> <td>1/2</td> <td>2900</td> <td>1\"/&gt;  <tr> <td>U-32</td> <td>"</td> <td>"</td> <td>V-675</td> <td>122</td> <td>1/2</td> <td>2900</td> <td>1\"/&gt;  <tr> <td>U-33</td> <td>"</td> <td>"</td> <td>V-675</td> <td>122</td> <td>1/2</td> <td>2900</td> <td>1\"/&gt;  <tr> <td>U-34</td> <td>"</td> <td>"</td> <td>V-675</td> <td>122</td> <td>1/2</td> <td>2900</td> <td>1\"/&gt;  <tr> <td>U-35</td> <td>"</td> <td>"</td> <td>V-675</td> <td>122</td> <td>1/2</td> <td>2900</td> <td>1\"/&gt;  <tr> <td>U-36</td> <td>"</td> <td>"</td> <td>V-675</td> <td>122</td> <td>1/2</td> <td>2900</td> <td>1\"/&gt;  <tr> <td>U-37</td> <td>"</td> <td>"</td> <td>V-675</td> <td>122</td> <td>1/2</td> <td>2900</td> <td>1\"/&gt;  <tr> <td>U-38</td> <td>"</td> <td>"</td> <td>V-675</td> <td>122</td> <td>1/2</td> <td>2900</td> <td>1\"/&gt;  <tr> <td>U-39</td> <td>"</td> <td>"</td> <td>V-675</td> <td>122</td> <td>1/2</td> <td>2900</td> <td>1\"/&gt;  <tr> <td>U-40</td> <td>"</td> <td>"</td> <td>V-675</td> <td>122</td> <td>1/2</td> <td>2900</td> <td>1\"/&gt;  <tr> <td>U-41</td> <td>"</td> <td>"</td> <td>V-675</td> <td>122</td> <td>1/2</td> <td>2900</td> <td>1\"/&gt;  <tr> <td>U-42</td> <td>"</td> <td>"</td> <td>V-675</td> <td>122</td> <td>1/2</td> <td>2900</td> <td>1\"/&gt;  <tr> <td>U-43</td> <td>"</td> <td>"</td> <td>V-675</td> <td>122</td> <td>1/2</td> <td>2900</td> <td>1\"/&gt;  <tr> <td>U-44</td> <td>"</td> <td>"</td> <td>V-675</td> <td>122</td> <td>1/2</td> <td>2900</td> <td>1\"/&gt;  <tr> <td>U-45</td> <td>"</td> <td>"</td> <td>V-675</td> <td>122</td> <td>1/2</td> <td>2900</td> <td>1\"/&gt;  <tr> <td>U-46</td> <td>"</td> <td>"</td> <td>V-675</td> <td>122</td> <td>1/2</td> <td>2900</td> <td>1\"/&gt;  <tr> <td>U-47</td> <td>"</td> <td>"</td> <td>V-675</td> <td>122</td> <td>1/2</td> <td>2900</td> <td>1\"/&gt;  <tr> <td>U-48</td> <td>"</td> <td>"</td> <td>V-675</td> <td>122</td> <td>1/2</td> <td>2900</td> <td>1\"/&gt;  <tr> <td>U-49</td> <td>"</td> <td>"</td> <td>V-675</td> <td>122</td> <td>1/2</td> <td>2900</td> <td>1\"/&gt;  <tr> <td>U-50</td> <td>"</td> <td>"</td> <td>V-675</td> <td>122</td> <td>1/2</td> <td>2900</td> <td>1\"/&gt;  </td></tr></td></tr></td></tr></td></tr></td></tr></td></tr></td></tr></td></tr></td></tr></td></tr></td></tr></td></tr></td></tr></td></tr></td></tr></td></tr></td></tr></td></tr></td></tr></td></tr>   
   | U-31 | " | " | V-675 | 122 | 1/2 | 2900 | 1\"/> <tr> <td>U-32</td> <td>"</td> <td>"</td> <td>V-675</td> <td>122</td> <td>1/2</td> <td>2900</td> <td>1\"/&gt;  <tr> <td>U-33</td> <td>"</td> <td>"</td> <td>V-675</td> <td>122</td> <td>1/2</td> <td>2900</td> <td>1\"/&gt;  <tr> <td>U-34</td> <td>"</td> <td>"</td> <td>V-675</td> <td>122</td> <td>1/2</td> <td>2900</td> <td>1\"/&gt;  <tr> <td>U-35</td> <td>"</td> <td>"</td> <td>V-675</td> <td>122</td> <td>1/2</td> <td>2900</td> <td>1\"/&gt;  <tr> <td>U-36</td> <td>"</td> <td>"</td> <td>V-675</td> <td>122</td> <td>1/2</td> <td>2900</td> <td>1\"/&gt;  <tr> <td>U-37</td> <td>"</td> <td>"</td> <td>V-675</td> <td>122</td> <td>1/2</td> <td>2900</td> <td>1\"/&gt;  <tr> <td>U-38</td> <td>"</td> <td>"</td> <td>V-675</td> <td>122</td> <td>1/2</td> <td>2900</td> <td>1\"/&gt;  <tr> <td>U-39</td> <td>"</td> <td>"</td> <td>V-675</td> <td>122</td> <td>1/2</td> <td>2900</td> <td>1\"/&gt;  <tr> <td>U-40</td> <td>"</td> <td>"</td> <td>V-675</td> <td>122</td> <td>1/2</td> <td>2900</td> <td>1\"/&gt;  <tr> <td>U-41</td> <td>"</td> <td>"</td> <td>V-675</td> <td>122</td> <td>1/2</td> <td>2900</td> <td>1\"/&gt;  <tr> <td>U-42</td> <td>"</td> <td>"</td> <td>V-675</td> <td>122</td> <td>1/2</td> <td>2900</td> <td>1\"/&gt;  <tr> <td>U-43</td> <td>"</td> <td>"</td> <td>V-675</td> <td>122</td> <td>1/2</td> <td>2900</td> <td>1\"/&gt;  <tr> <td>U-44</td> <td>"</td> <td>"</td> <td>V-675</td> <td>122</td> <td>1/2</td> <td>2900</td> <td>1\"/&gt;  <tr> <td>U-45</td> <td>"</td> <td>"</td> <td>V-675</td> <td>122</td> <td>1/2</td> <td>2900</td> <td>1\"/&gt;  <tr> <td>U-46</td> <td>"</td> <td>"</td> <td>V-675</td> <td>122</td> <td>1/2</td> <td>2900</td> <td>1\"/&gt;  <tr> <td>U-47</td> <td>"</td> <td>"</td> <td>V-675</td> <td>122</td> <td>1/2</td> <td>2900</td> <td>1\"/&gt;  <tr> <td>U-48</td> <td>"</td> <td>"</td> <td>V-675</td> <td>122</td> <td>1/2</td> <td>2900</td> <td>1\"/&gt;  <tr> <td>U-49</td> <td>"</td> <td>"</td> <td>V-675</td> <td>122</td> <td>1/2</td> <td>2900</td> <td>1\"/&gt;  <tr> <td>U-50</td> <td>"</td> <td>"</td> <td>V-675</td> <td>122</td> <td>1/2</td> <td>2900</td> <td>1\"/&gt;  </td></tr></td></tr></td></tr></td></tr></td></tr></td></tr></td></tr></td></tr></td></tr></td></tr></td></tr></td></tr></td></tr></td></tr></td></tr></td></tr></td></tr></td></tr></td></tr>   | U-32 | " | " | V-675 | 122 | 1/2 | 2900 | 1\"/> <tr> <td>U-33</td> <td>"</td> <td>"</td> <td>V-675</td> <td>122</td> <td>1/2</td> <td>2900</td> <td>1\"/&gt;  <tr> <td>U-34</td> <td>"</td> <td>"</td> <td>V-675</td> <td>122</td> <td>1/2</td> <td>2900</td> <td>1\"/&gt;  <tr> <td>U-35</td> <td>"</td> <td>"</td> <td>V-675</td> <td>122</td> <td>1/2</td> <td>2900</td> <td>1\"/&gt;  <tr> <td>U-36</td> <td>"</td> <td>"</td> <td>V-675</td> <td>122</td> <td>1/2</td> <td>2900</td> <td>1\"/&gt;  <tr> <td>U-37</td> <td>"</td> <td>"</td> <td>V-675</td> <td>122</td> <td>1/2</td> <td>2900</td> <td>1\"/&gt;  <tr> <td>U-38</td> <td>"</td> <td>"</td> <td>V-675</td> <td>122</td> <td>1/2</td> <td>2900</td> <td>1\"/&gt;  <tr> <td>U-39</td> <td>"</td> <td>"</td> <td>V-675</td> <td>122</td> <td>1/2</td> <td>2900</td> <td>1\"/&gt;  <tr> <td>U-40</td> <td>"</td> <td>"</td> <td>V-675</td> <td>122</td> <td>1/2</td> <td>2900</td> <td>1\"/&gt;  <tr> <td>U-41</td> <td>"</td> <td>"</td> <td>V-675</td> <td>122</td> <td>1/2</td> <td>2900</td> <td>1\"/&gt;  <tr> <td>U-42</td> <td>"</td> <td>"</td> <td>V-675</td> <td>122</td> <td>1/2</td> <td>2900</td> <td>1\"/&gt;  <tr> <td>U-43</td> <td>"</td> <td>"</td> <td>V-675</td> <td>122</td> <td>1/2</td> <td>2900</td> <td>1\"/&gt;  <tr> <td>U-44</td> <td>"</td> <td>"</td> <td>V-675</td> <td>122</td> <td>1/2</td> <td>2900</td> <td>1\"/&gt;  <tr> <td>U-45</td> <td>"</td> <td>"</td> <td>V-675</td> <td>122</td> <td>1/2</td> <td>2900</td> <td>1\"/&gt;  <tr> <td>U-46</td> <td>"</td> <td>"</td> <td>V-675</td> <td>122</td> <td>1/2</td> <td>2900</td> <td>1\"/&gt;  <tr> <td>U-47</td> <td>"</td> <td>"</td> <td>V-675</td> <td>122</td> <td>1/2</td> <td>2900</td> <td>1\"/&gt;  <tr> <td>U-48</td> <td>"</td> <td>"</td> <td>V-675</td> <td>122</td> <td>1/2</td> <td>2900</td> <td>1\"/&gt;  <tr> <td>U-49</td> <td>"</td> <td>"</td> <td>V-675</td> <td>122</td> <td>1/2</td> <td>2900</td> <td>1\"/&gt;  <tr> <td>U-50</td> <td>"</td> <td>"</td> <td>V-675</td> <td>122</td> <td>1/2</td> <td>2900</td> <td>1\"/&gt;  </td></tr></td></tr></td></tr></td></tr></td></tr></td></tr></td></tr></td></tr></td></tr></td></tr></td></tr></td></tr></td></tr></td></tr></td></tr></td></tr></td></tr></td></tr>   | U-33 | " | " | V-675 | 122 | 1/2 | 2900 | 1\"/> <tr> <td>U-34</td> <td>"</td> <td>"</td> <td>V-675</td> <td>122</td> <td>1/2</td> <td>2900</td> <td>1\"/&gt;  <tr> <td>U-35</td> <td>"</td> <td>"</td> <td>V-675</td> <td>122</td> <td>1/2</td> <td>2900</td> <td>1\"/&gt;  <tr> <td>U-36</td> <td>"</td> <td>"</td> <td>V-675</td> <td>122</td> <td>1/2</td> <td>2900</td> <td>1\"/&gt;  <tr> <td>U-37</td> <td>"</td> <td>"</td> <td>V-675</td> <td>122</td> <td>1/2</td> <td>2900</td> <td>1\"/&gt;  <tr> <td>U-38</td> <td>"</td> <td>"</td> <td>V-675</td> <td>122</td> <td>1/2</td> <td>2900</td> <td>1\"/&gt;  <tr> <td>U-39</td> <td>"</td> <td>"</td> <td>V-675</td> <td>122</td> <td>1/2</td> <td>2900</td> <td>1\"/&gt;  <tr> <td>U-40</td> <td>"</td> <td>"</td> <td>V-675</td> <td>122</td> <td>1/2</td> <td>2900</td> <td>1\"/&gt;  <tr> <td>U-41</td> <td>"</td> <td>"</td> <td>V-675</td> <td>122</td> <td>1/2</td> <td>2900</td> <td>1\"/&gt;  <tr> <td>U-42</td> <td>"</td> <td>"</td> <td>V-675</td> <td>122</td> <td>1/2</td> <td>2900</td> <td>1\"/&gt;  <tr> <td>U-43</td> <td>"</td> <td>"</td> <td>V-675</td> <td>122</td> <td>1/2</td> <td>2900</td> <td>1\"/&gt;  <tr> <td>U-44</td> <td>"</td> <td>"</td> <td>V-675</td> <td>122</td> <td>1/2</td> <td>2900</td> <td>1\"/&gt;  <tr> <td>U-45</td> <td>"</td> <td>"</td> <td>V-675</td> <td>122</td> <td>1/2</td> <td>2900</td> <td>1\"/&gt;  <tr> <td>U-46</td> <td>"</td> <td>"</td> <td>V-675</td> <td>122</td> <td>1/2</td> <td>2900</td> <td>1\"/&gt;  <tr> <td>U-47</td> <td>"</td> <td>"</td> <td>V-675</td> <td>122</td> <td>1/2</td> <td>2900</td> <td>1\"/&gt;  <tr> <td>U-48</td> <td>"</td> <td>"</td> <td>V-675</td> <td>122</td> <td>1/2</td> <td>2900</td> <td>1\"/&gt;  <tr> <td>U-49</td> <td>"</td> <td>"</td> <td>V-675</td> <td>122</td> <td>1/2</td> <td>2900</td> <td>1\"/&gt;  <tr> <td>U-50</td> <td>"</td> <td>"</td> <td>V-675</td> <td>122</td> <td>1/2</td> <td>2900</td> <td>1\"/&gt;  </td></tr></td></tr></td></tr></td></tr></td></tr></td></tr></td></tr></td></tr></td></tr></td></tr></td></tr></td></tr></td></tr></td></tr></td></tr></td></tr></td></tr>  
  | U-34 | " | " | V-675 | 122 | 1/2 | 2900 | 1\"/> <tr> <td>U-35</td> <td>"</td> <td>"</td> <td>V-675</td> <td>122</td> <td>1/2</td> <td>2900</td> <td>1\"/&gt;  <tr> <td>U-36</td> <td>"</td> <td>"</td> <td>V-675</td> <td>122</td> <td>1/2</td> <td>2900</td> <td>1\"/&gt;  <tr> <td>U-37</td> <td>"</td> <td>"</td> <td>V-675</td> <td>122</td> <td>1/2</td> <td>2900</td> <td>1\"/&gt;  <tr> <td>U-38</td> <td>"</td> <td>"</td> <td>V-675</td> <td>122</td> <td>1/2</td> <td>2900</td> <td>1\"/&gt;  <tr> <td>U-39</td> <td>"</td> <td>"</td> <td>V-675</td> <td>122</td> <td>1/2</td> <td>2900</td> <td>1\"/&gt;  <tr> <td>U-40</td> <td>"</td> <td>"</td> <td>V-675</td> <td>122</td> <td>1/2</td> <td>2900</td> <td>1\"/&gt;  <tr> <td>U-41</td> <td>"</td> <td>"</td> <td>V-675</td> <td>122</td> <td>1/2</td> <td>2900</td> <td>1\"/&gt;  <tr> <td>U-42</td> <td>"</td> <td>"</td> <td>V-675</td> <td>122</td> <td>1/2</td> <td>2900</td> <td>1\"/&gt;  <tr> <td>U-43</td> <td>"</td> <td>"</td> <td>V-675</td> <td>122</td> <td>1/2</td> <td>2900</td> <td>1\"/&gt;  <tr> <td>U-44</td> <td>"</td> <td>"</td> <td>V-675</td> <td>122</td> <td>1/2</td> <td>2900</td> <td>1\"/&gt;  <tr> <td>U-45</td> <td>"</td> <td>"</td> <td>V-675</td> <td>122</td> <td>1/2</td> <td>2900</td> <td>1\"/&gt;  <tr> <td>U-46</td> <td>"</td> <td>"</td> <td>V-675</td> <td>122</td> <td>1/2</td> <td>2900</td> <td>1\"/&gt;  <tr> <td>U-47</td> <td>"</td> <td>"</td> <td>V-675</td> <td>122</td> <td>1/2</td> <td>2900</td> <td>1\"/&gt;  <tr> <td>U-48</td> <td>"</td> <td>"</td> <td>V-675</td> <td>122</td> <td>1/2</td> <td>2900</td> <td>1\"/&gt;  <tr> <td>U-49</td> <td>"</td> <td>"</td> <td>V-675</td> <td>122</td> <td>1/2</td> <td>2900</td> <td>1\"/&gt;  <tr> <td>U-50</td> <td>"</td> <td>"</td> <td>V-675</td> <td>122</td> <td>1/2</td> <td>2900</td> <td>1\"/&gt;  </td></tr></td></tr></td></tr></td></tr></td></tr></td></tr></td></tr></td></tr></td></tr></td></tr></td></tr></td></tr></td></tr></td></tr></td></tr></td></tr>   | U-35 | " | " | V-675 | 122 | 1/2 | 2900 | 1\"/> <tr> <td>U-36</td> <td>"</td> <td>"</td> <td>V-675</td> <td>122</td> <td>1/2</td> <td>2900</td> <td>1\"/&gt;  <tr> <td>U-37</td> <td>"</td> <td>"</td> <td>V-675</td> <td>122</td> <td>1/2</td> <td>2900</td> <td>1\"/&gt;  <tr> <td>U-38</td> <td>"</td> <td>"</td> <td>V-675</td> <td>122</td> <td>1/2</td> <td>2900</td> <td>1\"/&gt;  <tr> <td>U-39</td> <td>"</td> <td>"</td> <td>V-675</td> <td>122</td> <td>1/2</td> <td>2900</td> <td>1\"/&gt;  <tr> <td>U-40</td> <td>"</td> <td>"</td> <td>V-675</td> <td>122</td> <td>1/2</td> <td>2900</td> <td>1\"/&gt;  <tr> <td>U-41</td> <td>"</td> <td>"</td> <td>V-675</td> <td>122</td> <td>1/2</td> <td>2900</td> <td>1\"/&gt;  <tr> <td>U-42</td> <td>"</td> <td>"</td> <td>V-675</td> <td>122</td> <td>1/2</td> <td>2900</td> <td>1\"/&gt;  <tr> <td>U-43</td> <td>"</td> <td>"</td> <td>V-675</td> <td>122</td> <td>1/2</td> <td>2900</td> <td>1\"/&gt;  <tr> <td>U-44</td> <td>"</td> <td>"</td> <td>V-675</td> <td>122</td> <td>1/2</td> <td>2900</td> <td>1\"/&gt;  <tr> <td>U-45</td> <td>"</td> <td>"</td> <td>V-675</td> <td>122</td> <td>1/2</td> <td>2900</td> <td>1\"/&gt;  <tr> <td>U-46</td> <td>"</td> <td>"</td> <td>V-675</td> <td>122</td> <td>1/2</td> <td>2900</td> <td>1\"/&gt;  <tr> <td>U-47</td> <td>"</td> <td>"</td> <td>V-675</td> <td>122</td> <td>1/2</td> <td>2900</td> <td>1\"/&gt;  <tr> <td>U-48</td> <td>"</td> <td>"</td> <td>V-675</td> <td>122</td> <td>1/2</td> <td>2900</td> <td>1\"/&gt;  <tr> <td>U-49</td> <td>"</td> <td>"</td> <td>V-675</td> <td>122</td> <td>1/2</td> <td>2900</td> <td>1\"/&gt;  <tr> <td>U-50</td> <td>"</td> <td>"</td> <td>V-675</td> <td>122</td> <td>1/2</td> <td>2900</td> <td>1\"/&gt;  </td></tr></td></tr></td></tr></td></tr></td></tr></td></tr></td></tr></td></tr></td></tr></td></tr></td></tr></td></tr></td></tr></td></tr></td></tr>   | U-36 | " | " | V-675 | 122 | 1/2 | 2900 | 1\"/> <tr> <td>U-37</td> <td>"</td> <td>"</td> <td>V-675</td> <td>122</td> <td>1/2</td> <td>2900</td> <td>1\"/&gt;  <tr> <td>U-38</td> <td>"</td> <td>"</td> <td>V-675</td> <td>122</td> <td>1/2</td> <td>2900</td> <td>1\"/&gt;  <tr> <td>U-39</td> <td>"</td> <td>"</td> <td>V-675</td> <td>122</td> <td>1/2</td> <td>2900</td> <td>1\"/&gt;  <tr> <td>U-40</td> <td>"</td> <td>"</td> <td>V-675</td> <td>122</td> <td>1/2</td> <td>2900</td> <td>1\"/&gt;  <tr> <td>U-41</td> <td>"</td> <td>"</td> <td>V-675</td> <td>122</td> <td>1/2</td> <td>2900</td> <td>1\"/&gt;  <tr> <td>U-42</td> <td>"</td> <td>"</td> <td>V-675</td> <td>122</td> <td>1/2</td> <td>2900</td> <td>1\"/&gt;  <tr> <td>U-43</td> <td>"</td> <td>"</td> <td>V-675</td> <td>122</td> <td>1/2</td> <td>2900</td> <td>1\"/&gt;  <tr> <td>U-44</td> <td>"</td> <td>"</td> <td>V-675</td> <td>122</td> <td>1/2</td> <td>2900</td> <td>1\"/&gt;  <tr> <td>U-45</td> <td>"</td> <td>"</td> <td>V-675</td> <td>122</td> <td>1/2</td> <td>2900</td> <td>1\"/&gt;  <tr> <td>U-46</td> <td>"</td> <td>"</td> <td>V-675</td> <td>122</td> <td>1/2</td> <td>2900</td> <td>1\"/&gt;  <tr> <td>U-47</td> <td>"</td> <td>"</td> <td>V-675</td> <td>122</td> <td>1/2</td> <td>2900</td> <td>1\"/&gt;  <tr> <td>U-48</td> <td>"</td> <td>"</td> <td>V-675</td> <td>122</td> <td>1/2</td> <td>2900</td> <td>1\"/&gt;  <tr> <td>U-49</td> <td>"</td> <td>"</td> <td>V-675</td> <td>122</td> <td>1/2</td> <td>2900</td> <td>1\"/&gt;  <tr> <td>U-50</td> <td>"</td> <td>"</td> <td>V-675</td> <td>122</td> <td>1/2</td> <td>2900</td> <td>1\"/&gt;  </td></tr></td></tr></td></tr></td></tr></td></tr></td></tr></td></tr></td></tr></td></tr></td></tr></td></tr></td></tr></td></tr></td></tr>   | U-37 | " | " | V-675 | 122 | 1/2 | 2900 | 1\"/> <tr> <td>U-38</td> <td>"</td> <td>"</td> <td>V-675</td> <td>122</td> <td>1/2</td> <td>2900</td> <td>1\"/&gt;  <tr> <td>U-39</td> <td>"</td> <td>"</td> <td>V-675</td> <td>122</td> <td>1/2</td> <td>2900</td>
<td>1\"/&gt;  <tr> <td>U-40</td> <td>"</td> <td>"</td> <td>V-675</td> <td>122</td> <td>1/2</td> <td>2900</td> <td>1\"/&gt;  <tr> <td>U-41</td> <td>"</td> <td>"</td> <td>V-675</td> <td>122</td> <td>1/2</td> <td>2900</td> <td>1\"/&gt;  <tr> <td>U-42</td> <td>"</td> <td>"</td> <td>V-675</td> <td>122</td> <td>1/2</td> <td>2900</td> <td>1\"/&gt;  <tr> <td>U-43</td> <td>"</td> <td>"</td> <td>V-675</td> <td>122</td> <td>1/2</td> <td>2900</td> <td>1\"/&gt;  <tr> <td>U-44</td> <td>"</td> <td>"</td> <td>V-675</td> <td>122</td> <td>1/2</td> <td>2900</td> <td>1\"/&gt;  <tr> <td>U-45</td> <td>"</td> <td>"</td> <td>V-675</td> <td>122</td> <td>1/2</td> <td>2900</td> <td>1\"/&gt;  <tr> <td>U-46</td> <td>"</td> <td>"</td> <td>V-675</td> <td>122</td> <td>1/2</td> <td>2900</td> <td>1\"/&gt;  <tr> <td>U-47</td> <td>"</td> <td>"</td> <td>V-675</td> <td>122</td> <td>1/2</td> <td>2900</td> <td>1\"/&gt;  <tr> <td>U-48</td> <td>"</td> <td>"</td> <td>V-675</td> <td>122</td> <td>1/2</td> <td>2900</td> <td>1\"/&gt;  <tr> <td>U-49</td> <td>"</td> <td>"</td> <td>V-675</td> <td>122</td> <td>1/2</td> <td>2900</td> <td>1\"/&gt;  <tr> <td>U-50</td> <td>"</td> <td>"</td> <td>V-675</td> <td>122</td> <td>1/2</td> <td>2900</td> <td>1\"/&gt;  </td></tr></td></tr></td></tr></td></tr></td></tr></td></tr></td></tr></td></tr></td></tr></td></tr></td></tr></td></tr></td></tr>   | U-38 | " | " | V-675 | 122 | 1/2 | 2900 | 1\"/> <tr> <td>U-39</td> <td>"</td> <td>"</td> <td>V-675</td> <td>122</td> <td>1/2</td> <td>2900</td> <td>1\"/&gt;  <tr> <td>U-40</td> <td>"</td> <td>"</td> <td>V-675</td> <td>122</td> <td>1/2</td> <td>2900</td> <td>1\"/&gt;  <tr> <td>U-41</td> <td>"</td> <td>"</td> <td>V-675</td> <td>122</td> <td>1/2</td> <td>2900</td> <td>1\"/&gt;  <tr> <td>U-42</td> <td>"</td> <td>"</td> <td>V-675</td> <td>122</td> <td>1/2</td> <td>2900</td> <td>1\"/&gt;  <tr> <td>U-43</td> <td>"</td> <td>"</td> <td>V-675</td> <td>122</td> <td>1/2</td> <td>2900</td> <td>1\"/&gt;  <tr> <td>U-44</td> <td>"</td> <td>"</td> <td>V-675</td> <td>122</td> <td>1/2</td> <td>2900</td> <td>1\"/&gt;  <tr> <td>U-45</td> <td>"</td> <td>"</td> <td>V-675</td> <td>122</td> <td>1/2</td> <td>2900</td> <td>1\"/&gt;  <tr> <td>U-46</td> <td>"</td> <td>"</td> <td>V-675</td> <td>122</td> <td>1/2</td> <td>2900</td> <td>1\"/&gt;  <tr> <td>U-47</td> <td>"</td> <td>"</td> <td>V-675</td> <td>122</td> <td>1/2</td> <td>2900</td> <td>1\"/&gt;  <tr> <td>U-48</td> <td>"</td> <td>"</td> <td>V-675</td> <td>122</td> <td>1/2</td> <td>2900</td> <td>1\"/&gt;  <tr> <td>U-49</td> <td>"</td> <td>"</td> <td>V-675</td> <td>122</td> <td>1/2</td> <td>2900</td> <td>1\"/&gt;  <tr> <td>U-50</td> <td>"</td> <td>"</td> <td>V-675</td> <td>122</td> <td>1/2</td> <td>2900</td> <td>1\"/&gt;  </td></tr></td></tr></td></tr></td></tr></td></tr></td></tr></td></tr></td></tr></td></tr></td></tr></td></tr></td></tr>   | U-39 | " | " | V-675 | 122 | 1/2 | 2900 | 1\"/> <tr> <td>U-40</td> <td>"</td> <td>"</td> <td>V-675</td> <td>122</td> <td>1/2</td> <td>2900</td> <td>1\"/&gt;  <tr> <td>U-41</td> <td>"</td> <td>"</td> <td>V-675</td> <td>122</td> <td>1/2</td> <td>2900</td> <td>1\"/&gt;  <tr> <td>U-42</td> <td>"</td> <td>"</td> <td>V-675</td> <td>122</td> <td>1/2</td> <td>2900</td> <td>1\"/&gt;  <tr> <td>U-43</td> <td>"</td> <td>"</td> <td>V-675</td> <td>122</td> <td>1/2</td> <td>2900</td> <td>1\"/&gt;  <tr> <td>U-44</td> <td>"</td> <td>"</td> <td>V-675</td> <td>122</td> <td>1/2</td> <td>2900</td> <td>1\"/&gt;  <tr> <td>U-45</td> <td>"</td> <td>"</td> <td>V-675</td> <td>122</td> <td>1/2</td> <td>2900</td> <td>1\"/&gt;  <tr> <td>U-46</td> <td>"</td> <td>"</td> <td>V-675</td> <td>122</td> <td>1/2</td> <td>2900</td> <td>1\"/&gt;  <tr> <td>U-47</td> <td>"</td> <td>"</td> <td>V-675</td> <td>122</td> <td>1/2</td> <td>2900</td> <td>1\"/&gt;  <tr> <td>U-48</td> <td>"</td> <td>"</td> <td>V-675</td> <td>122</td> <td>1/2</td> <td>2900</td> <td>1\"/&gt;  <tr> <td>U-49</td> <td>"</td> <td>"</td> <td>V-675</td> <td>122</td> <td>1/2</td> <td>2900</td> <td>1\"/&gt;  <tr> <td>U-50</td> <td>"</td> <td>"</td> <td>V-675</td> <td>122</td> <td>1/2</td> <td>2900</td> <td>1\"/&gt;  </td></tr></td></tr></td></tr></td></tr></td></tr></td></tr></td></tr></td></tr></td></tr></td></tr></td></tr>   | U-40 | " | " | V-675 | 122 | 1/2 | 2900 | 1\"/> <tr> <td>U-41</td> <td>"</td> <td>"</td> <td>V-675</td> <td>122</td> <td>1/2</td> <td>2900</td> <td>1\"/&gt;  <tr> <td>U-42</td> <td>"</td> <td>"</td> <td>V-675</td> <td>122</td> <td>1/2</td> <td>2900</td> <td>1\"/&gt;  <tr> <td>U-43</td> <td>"</td> <td>"</td> <td>V-675</td> <td>122</td> <td>1/2</td> <td>2900</td> <td>1\"/&gt;  <tr> <td>U-44</td> <td>"</td> <td>"</td> <td>V-675</td> <td>122</td> <td>1/2</td> <td>2900</td> <td>1\"/&gt;  <tr> <td>U-45</td> <td>"</td> <td>"</td> <td>V-675</td> <td>122</td> <td>1/2</td> <td>2900</td> <td>1\"/&gt;  <tr> <td>U-46</td> <td>"</td> <td>"</td> <td>V-675</td> <td>122</td> <td>1/2</td> <td>2900</td> <td>1\"/&gt;  <tr> <td>U-47</td> <td>"</td> <td>"</td> <td>V-675</td> <td>122</td> <td>1/2</td> <td>2900</td> <td>1\"/&gt;  <tr> <td>U-48</td> <td>"</td> <td>"</td> <td>V-675</td> <td>122</td> <td>1/2</td> <td>2900</td> <td>1\"/&gt;  <tr> <td>U-49</td> <td>"</td> <td>"</td> <td>V-675</td> <td>122</td> <td>1/2</td> <td>2900</td> <td>1\"/&gt;  <tr> <td>U-50</td> <td>"</td> <td>"</td> <td>V-675</td> <td>122</td> <td>1/2</td> <td>2900</td> <td>1\"/&gt;  </td></tr></td></tr></td></tr></td></tr></td></tr></td></tr></td></tr></td></tr></td></tr></td></tr>  
  | U-41 | " | " | V-675 | 122 | 1/2 | 2900 | 1\"/> <tr> <td>U-42</td> <td>"</td> <td>"</td> <td>V-675</td> <td>122</td> <td>1/2</td> <td>2900</td> <td>1\"/&gt;  <tr> <td>U-43</td> <td>"</td> <td>"</td> <td>V-675</td> <td>122</td> <td>1/2</td> <td>2900</td> <td>1\"/&gt;  <tr> <td>U-44</td> <td>"</td> <td>"</td> <td>V-675</td> <td>122</td> <td>1/2</td> <td>2900</td> <td>1\"/&gt;  <tr> <td>U-45</td> <td>"</td> <td>"</td> <td>V-675</td> <td>122</td> <td>1/2</td> <td>2900</td> <td>1\"/&gt;  <tr> <td>U-46</td> <td>"</td> <td>"</td> <td>V-675</td> <td>122</td> <td>1/2</td> <td>2900</td> <td>1\"/&gt;  <tr> <td>U-47</td> <td>"</td> <td>"</td> <td>V-675</td> <td>122</td> <td>1/2</td> <td>2900</td> <td>1\"/&gt;  <tr> <td>U-48</td> <td>"</td> <td>"</td> <td>V-675</td> <td>122</td> <td>1/2</td> <td>2900</td> <td>1\"/&gt;  <tr> <td>U-49</td> <td>"</td> <td>"</td> <td>V-675</td> <td>122</td> <td>1/2</td> <td>2900</td> <td>1\"/&gt;  <tr> <td>U-50</td> <td>"</td> <td>"</td> <td>V-675</td> <td>122</td> <td>1/2</td> <td>2900</td> <td>1\"/&gt;  </td></tr></td></tr></td></tr></td></tr></td></tr></td></tr></td></tr></td></tr></td></tr>   | U-42 | " | " | V-675 | 122 | 1/2 | 2900 | 1\"/> <tr> <td>U-43</td> <td>"</td> <td>"</td> <td>V-675</td> <td>122</td> <td>1/2</td> <td>2900</td> <td>1\"/&gt;  <tr> <td>U-44</td> <td>"</td> <td>"</td> <td>V-675</td> <td>122</td> <td>1/2</td> <td>2900</td> <td>1\"/&gt;  <tr> <td>U-45</td> <td>"</td> <td>"</td> <td>V-675</td> <td>122</td> <td>1/2</td> <td>2900</td> <td>1\"/&gt;  <tr> <td>U-46</td> <td>"</td> <td>"</td> <td>V-675</td> <td>122</td> <td>1/2</td> <td>2900</td> <td>1\"/&gt;  <tr> <td>U-47</td> <td>"</td> <td>"</td> <td>V-675</td> <td>122</td> <td>1/2</td> <td>2900</td> <td>1\"/&gt;  <tr> <td>U-48</td> <td>"</td> <td>"</td> <td>V-675</td> <td>122</td> <td>1/2</td> <td>2900</td> <td>1\"/&gt;  <tr> <td>U-49</td> <td>"</td> <td>"</td> <td>V-675</td> <td>122</td> <td>1/2</td> <td>2900</td> <td>1\"/&gt;  <tr> <td>U-50</td> <td>"</td> <td>"</td> <td>V-675</td> <td>122</td> <td>1/2</td> <td>2900</td> <td>1\"/&gt;  </td></tr></td></tr></td></tr></td></tr></td></tr></td></tr></td></tr></td></tr>   | U-43 | " | " | V-675 | 122 | 1/2 | 2900 | 1\"/> <tr> <td>U-44</td> <td>"</td> <td>"</td> <td>V-675</td> <td>122</td> <td>1/2</td> <td>2900</td> <td>1\"/&gt;  <tr> <td>U-45</td> <td>"</td> <td>"</td> <td>V-675</td> <td>122</td> <td>1/2</td> <td>2900</td> <td>1\"/&gt;  <tr> <td>U-46</td> <td>"</td> <td>"</td> <td>V-675</td> <td>122</td> <td>1/2</td> <td>2900</td> <td>1\"/&gt;  <tr> <td>U-47</td> <td>"</td> <td>"</td> <td>V-675</td> <td>122</td> <td>1/2</td> <td>2900</td> <td>1\"/&gt;  <tr> <td>U-48</td> <td>"</td> <td>"</td> <td>V-675</td> <td>122</td> <td>1/2</td> <td>2900</td> <td>1\"/&gt;  <tr> <td>U-49</td> <td>"</td> <td>"</td> <td>V-675</td> <td>122</td> <td>1/2</td> <td>2900</td> <td>1\"/&gt;  <tr> <td>U-50</td> <td>"</td> <td>"</td> <td>V-675</td> <td>122</td> <td>1/2</td> <td>2900</td> <td>1\"/&gt;  </td></tr></td></tr></td></tr></td></tr></td></tr></td></tr></td></tr>   | U-44 | " | " | V-675 | 122 | 1/2 | 2900 | 1\"/> <tr> <td>U-45</td> <td>"</td> <td>"</td> <td>V-675</td> <td>122</td> <td>1/2</td> <td>2900</td> <td>1\"/&gt;  <tr> <td>U-46</td> <td>"</td> <td>"</td> <td>V-675</td> <td>122</td> <td>1/2</td> <td>2900</td> <td>1\"/&gt;  <tr> <td>U-47</td> <td>"</td> <td>"</td> <td>V-675</td> <td>122</td> <td>1/2</td> <td>2900</td> <td>1\"/&gt;  <tr> <td>U-48</td> <td>"</td> <td>"</td> <td>V-675</td> <td>122</td> <td>1/2</td> <td>2900</td> <td>1\"/&gt;  <tr> <td>U-49</td> <td>"</td> <td>"</td> <td>V-675</td> <td>122</td> <td>1/2</td> <td>2900</td> <td>1\"/&gt;  <tr> <td>U-50</td> <td>"</td> <td>"</td> <td>V-675</td> <td>122</td> <td>1/2</td> <td>2900</td> <td>1\"/&gt;  </td></tr></td></tr></td></tr></td></tr></td></tr></td></tr>   | U-45 | " | " | V-675 | 122 | 1/2 | 2900 | 1\"/> <tr> <td>U-46</td> <td>"</td> <td>"</td> <td>V-675</td> <td>122</td> <td>1/2</td> <td>2900</td> <td>1\"/&gt;  <tr> <td>U-47</td> <td>"</td> <td>"</td> <td>V-675</td> <td>122</td> <td>1/2</td> <td>2900</td> <td>1\"/&gt;  <tr> <td>U-48</td> <td>"</td> <td>"</td> <td>V-675</td> <td>122</td> <td>1/2</td> <td>2900</td> <td>1\"/&gt;  <tr> <td>U-49</td> <td>"</td> <td>"</td> <td>V-675</td> <td>122</td> <td>1/2</td> <td>2900</td> <td>1\"/&gt;  <tr> <td>U-50</td> <td>"</td> <td>"</td> <td>V-675</td> <td>122</td> <td>1/2</td> <td>2900</td> <td>1\"/&gt;  </td></tr></td></tr></td></tr></td></tr></td></tr>   
   | U-46 | " | " | V-675 | 122 | 1/2 | 2900 | 1\"/> <tr> <td>U-47</td> <td>"</td> <td>"</td> <td>V-675</td> <td>122</td> <td>1/2</td> <td>2900</td> <td>1\"/&gt;  <tr> <td>U-48</td> <td>"</td> <td>"</td> <td>V-675</td> <td>122</td> <td>1/2</td> <td>2900</td> <td>1\"/&gt;  <tr> <td>U-49</td> <td>"</td> <td>"</td> <td>V-675</td> <td>122</td> <td>1/2</td> <td>2900</td> <td>1\"/&gt;  <tr> <td>U-50</td> <td>"</td> <td>"</td> <td>V-675</td> <td>122</td> <td>1/2</td> <td>2900</td> <td>1\"/&gt;  </td></tr></td></tr></td></tr></td></tr>   | U-47 | " | " | V-675 | 122 | 1/2 | 2900 | 1\"/> <tr> <td>U-48</td> <td>"</td> <td>"</td> <td>V-675</td> <td>122</td> <td>1/2</td> <td>2900</td> <td>1\"/&gt;  <tr> <td>U-49</td> <td>"</td> <td>"</td> <td>V-675</td> <td>122</td> <td>1/2</td> <td>2900</td> <td>1\"/&gt;  <tr> <td>U-50</td> <td>"</td> <td>"</td> <td>V-675</td> <td>122</td> <td>1/2</td> <td>2900</td> <td>1\"/&gt;  </td></tr></td></tr></td></tr>   | U-48 | " | " | V-675 | 122 | 1/2 | 2900 | 1\"/> <tr> <td>U-49</td> <td>"</td> <td>"</td> <td>V-675</td> <td>122</td> <td>1/2</td> <td>2900</td> <td>1\"/&gt;  <tr> <td>U-50</td> <td>"</td> <td>"</td> <td>V-675</td> <td>122</td> <td>1/2</td> <td>2900</td> <td>1\"/&gt;  </td></tr></td></tr>   | U-49 | " | " | V-675 | 122 | 1/2 | 2900 | 1\"/> <tr> <td>U-50</td> <td>"</td> <td>"</td> <td>V-675</td> <td>122</td> <td>1/2</td> <td>2900</td> <td>1\"/&gt;  </td></tr>   | U-50 | " | " | V-675 | 122 | 1/2 | 2900 | 1\"/>  |      |   |   |       |     |     |      |  |      |   |   |       |     |     |      |   
  |      |   |   |       |     |     |      |  |      |   |   |       |     |     |      |  |      |   |   |       |     |     |      |  |      |   |   |       |     |     |      |  |      |   |   |       |     |     |      |  |      |   |   |       |     |     |      |  |      |   |   |       |     |     |      |  |      |   |   |       |     |     |      |       |
| U-6  | "             | "                       | V-675    | 122  | 1/2           | 2900    | 1\"/> <tr> <td>U-7</td> <td>"</td> <td>"</td> <td>V-675</td> <td>122</td> <td>1/2</td> <td>2900</td> <td>1\"/&gt;  <tr> <td>U-8</td> <td>"</td> <td>"</td> <td>V-675</td> <td>122</td> <td>1/2</td> <td>2900</td> <td>1\"/&gt;  <tr> <td>U-9</td> <td>"</td> <td>"</td> <td>V-675</td> <td>122</td> <td>1/2</td> <td>2900</td> <td>1\"/&gt;  <tr> <td>U-10</td> <td>"</td> <td>"</td> <td>V-675</td> <td>122</td> <td>1/2</td> <td>2900</td> <td>1\"/&gt;  <tr> <td>U-11</td> <td>"</td> <td>"</td> <td>V-675</td> <td>122</td> <td>1/2</td> <td>2900</td> <td>1\"/&gt;  <tr> <td>U-12</td> <td>"</td> <td>"</td> <td>V-675</td> <td>122</td> <td>1/2</td> <td>2900</td> <td>1\"/&gt;  <tr> <td>U-13</td> <td>"</td> <td>"</td> <td>V-675</td> <td>122</td> <td>1/2</td> <td>2900</td> <td>1\"/&gt;  <tr> <td>U-14</td> <td>"</td> <td>"</td> <td>V-675</td> <td>122</td> <td>1/2</td> <td>2900</td> <td>1\"/&gt;  <tr> <td>U-15</td> <td>"</td> <td>"</td> <td>V-675</td> <td>122</td> <td>1/2</td> <td>2900</td> <td>1\"/&gt;  <tr> <td>U-16</td> <td>"</td> <td>"</td> <td>V-675</td> <td>122</td> <td>1/2</td> <td>2900</td> <td>1\"/&gt;  <tr> <td>U-17</td> <td>"</td> <td>"</td> <td>V-675</td> <td>122</td> <td>1/2</td> <td>2900</td> <td>1\"/&gt;  <tr> <td>U-18</td> <td>"</td> <td>"</td> <td>V-675</td> <td>122</td> <td>1/2</td> <td>2900</td> <td>1\"/&gt;  <tr> <td>U-19</td> <td>"</td> <td>"</td> <td>V-675</td> <td>122</td> <td>1/2</td> <td>2900</td> <td>1\"/&gt;  <tr> <td>U-20</td> <td>"</td> <td>"</td> <td>V-675</td> <td>122</td> <td>1/2</td> <td>2900</td> <td>1\"/&gt;  <tr> <td>U-21</td> <td>"</td> <td>"</td> <td>V-675</td> <td>122</td> <td>1/2</td> <td>2900</td> <td>1\"/&gt;  <tr> <td>U-22</td> <td>"</td> <td>"</td> <td>V-675</td> <td>122</td> <td>1/2</td> <td>2900</td> <td>1\"/&gt;  <tr> <td>U-23</td> <td>"</td> <td>"</td> <td>V-675</td> <td>122</td> <td>1/2</td> <td>2900</td> <td>1\"/&gt;  <tr> <td>U-24</td> <td>"</td> <td>"</td> <td>V-675</td> <td>122</td> <td>1/2</td> <td>2900</td> <td>1\"/&gt;  <tr> <td>U-25</td> <td>"</td> <td>"</td> <td>V-675</td> <td>122</td> <td>1/2</td> <td>2900</td> <td>1\"/&gt;  <tr> <td>U-26</td> <td>"</td> <td>"</td> <td>V-675</td> <td>122</td> <td>1/2</td> <td>2900</td> <td>1\"/&gt;  <tr> <td>U-27</td> <td>"</td> <td>"</td> <td>V-675</td> <td>122</td> <td>1/2</td> <td>2900</td> <td>1\"/&gt;  <tr> <td>U-28</td> <td>"</td> <td>"</td> <td>V-675</td> <td>122</td> <td>1/2</td> <td>2900</td> <td>1\"/&gt;  <tr> <td>U-29</td> <td>"</td> <td>"</td> <td>V-675</td> <td>122</td> <td>1/2</td> <td>2900</td> <td>1\"/&gt;  <tr> <td>U-30</td> <td>"</td> <td>"</td> <td>V-675</td> <td>122</td> <td>1/2</td> <td>2900</td> <td>1\"/&gt;  <tr> <td>U-31</td> <td>"</td> <td>"</td> <td>V-675</td> <td>122</td> <td>1/2</td> <td>2900</td> <td>1\"/&gt;  <tr> <td>U-32</td> <td>"</td> <td>"</td> <td>V-675</td> <td>122</td> <td>1/2</td> <td>2900</td> <td>1\"/&gt;  <tr> <td>U-33</td> <td>"</td> <td>"</td> <td>V-675</td> <td>122</td> <td>1/2</td> <td>2900</td> <td>1\"/&gt;  <tr> <td>U-34</td> <td>"</td> <td>"</td> <td>V-675</td> <td>122</td> <td>1/2</td> <td>2900</td> <td>1\"/&gt;  <tr> <td>U-35</td> <td>"</td> <td>"</td> <td>V-675</td> <td>122</td> <td>1/2</td> <td>2900</td> <td>1\"/&gt;  <tr> <td>U-36</td> <td>"</td> <td>"</td> <td>V-675</td> <td>122</td> <td>1/2</td> <td>2900</td> <td>1\"/&gt;  <tr> <td>U-37</td> <td>"</td> <td>"</td> <td>V-675</td> <td>122</td> <td>1/2</td> <td>2900</td> <td>1\"/&gt;  <tr> <td>U-38</td> <td>"</td> <td>"</td> <td>V-675</td> <td>122</td> <td>1/2</td> <td>2900</td> <td>1\"/&gt;  <tr> <td>U-39</td> <td>"</td> <td>"</td> <td>V-675</td> <td>122</td> <td>1/2</td> <td>2900</td> <td>1\"/&gt;  <tr> <td>U-40</td> <td>"</td> <td>"</td> <td>V-675</td> <td>122</td> <td>1/2</td> <td>2900</td> <td>1\"/&gt;  <tr> <td>U-41</td> <td>"</td> <td>"</td> <td>V-675</td> <td>122</td> <td>1/2</td> <td>2900</td> <td>1\"/&gt;  <tr> <td>U-42</td> <td>"</td> <td>"</td> <td>V-675</td> <td>122</td> <td>1/2</td> <td>2900</td> <td>1\"/&gt;  <tr> <td>U-43</td> <td>"</td> <td>"</td> <td>V-675</td> <td>122</td> <td>1/2</td> <td>2900</td> <td>1\"/&gt;  <tr> <td>U-44</td> <td>"</td> <td>"</td> <td>V-675</td> <td>122</td> <td>1/2</td> <td>2900</td> <td>1\"/&gt;  <tr> <td>U-45</td> <td>"</td> <td>"</td> <td>V-675</td> <td>122</td> <td>1/2</td> <td>2900</td> <td>1\"/&gt;  <tr> <td>U-46</td> <td>"</td> <td>"</td> <td>V-675</td> <td>122</td> <td>1/2</td> <td>2900</td> <td>1\"/&gt;  <tr> <td>U-47</td> <td>"</td> <td>"</td> <td>V-675</td> <td>122</td> <td>1/2</td> <td>2900</td> <td>1\"/&gt;  <tr> <td>U-48</td> <td>"</td> <td>"</td> <td>V-675</td> <td>122</td> <td>1/2</td> <td>2900</td> <td>1\"/&gt;  <tr> <td>U-49</td> <td>"</td> <td>"</td> <td>V-675</td> <td>122</td> <td>1/2</td> <td>2900</td> <td>1\"/&gt;  <tr> <td>U-50</td> <td>"</td> <td>"</td> <td>V-675</td> <td>122</td> <td>1/2</td> <td>2900</td> <td>1\"/&gt;  </td></tr></td></tr></td></tr></td></tr></td></tr></td></tr></td></tr></td></tr></td></tr></td></tr></td></tr></td></tr></td></tr></td></tr></td></tr></td></tr></td></tr></td></tr></td></tr></td></tr></td></tr></td></tr></td></tr></td></tr></td></tr></td></tr></td></tr></td></tr></td></tr></td></tr></td></tr></td></tr></td></tr></td></tr></td></tr></td></tr></td></tr></td></tr></td></tr></td></tr></td></tr></td></tr></td></tr></td></tr>   | U-7  | " | " | V-675  | 122  | 1/2 | 2900   | 1\"/> <tr> <td>U-8</td> <td>"</td> <td>"</td> <td>V-675</td> <td>122</td> <td>1/2</td> <td>2900</td> <td>1\"/&gt;  <tr> <td>U-9</td> <td>"</td> <td>"</td> <td>V-675</td> <td>122</td> <td>1/2</td> <td>2900</td> <td>1\"/&gt;  <tr> <td>U-10</td> <td>"</td> <td>"</td> <td>V-675</td> <td>122</td> <td>1/2</td> <td>2900</td> <td>1\"/&gt;  <tr> <td>U-11</td> <td>"</td> <td>"</td> <td>V-675</td> <td>122</td> <td>1/2</td> <td>2900</td> <td>1\"/&gt;  <tr> <td>U-12</td> <td>"</td> <td>"</td> <td>V-675</td> <td>122</td> <td>1/2</td> <td>2900</td> <td>1\"/&gt;  <tr> <td>U-13</td> <td>"</td> <td>"</td> <td>V-675</td> <td>122</td> <td>1/2</td> <td>2900</td> <td>1\"/&gt;  <tr> <td>U-14</td> <td>"</td> <td>"</td> <td>V-675</td> <td>122</td> <td>1/2</td> <td>2900</td> <td>1\"/&gt;  <tr> <td>U-15</td> <td>"</td> <td>"</td> <td>V-675</td> <td>122</td> <td>1/2</td> <td>2900</td> <td>1\"/&gt;  <tr> <td>U-16</td> <td>"</td> <td>"</td> <td>V-675</td> <td>122</td> <td>1/2</td> <td>2900</td> <td>1\"/&gt;  <tr> <td>U-17</td> <td>"</td> <td>"</td> <td>V-675</td> <td>122</td> <td>1/2</td> <td>2900</td> <td>1\"/&gt;  <tr> <td>U-18</td> <td>"</td> <td>"</td> <td>V-675</td> <td>122</td> <td>1/2</td> <td>2900</td> <td>1\"/&gt;  <tr> <td>U-19</td> <td>"</td> <td>"</td> <td>V-675</td> <td>122</td> <td>1/2</td> <td>2900</td> <td>1\"/&gt;  <tr> <td>U-20</td> <td>"</td> <td>"</td> <td>V-675</td> <td>122</td> <td>1/2</td> <td>2900</td> <td>1\"/&gt;  <tr> <td>U-21</td> <td>"</td> <td>"</td> <td>V-675</td> <td>122</td> <td>1/2</td> <td>2900</td> <td>1\"/&gt;  <tr> <td>U-22</td> <td>"</td> <td>"</td> <td>V-675</td> <td>122</td> <td>1/2</td> <td>2900</td> <td>1\"/&gt;  <tr> <td>U-23</td> <td>"</td> <td>"</td> <td>V-675</td> <td>122</td> <td>1/2</td> <td>2900</td> <td>1\"/&gt;  <tr> <td>U-24</td> <td>"</td> <td>"</td> <td>V-675</td> <td>122</td> <td>1/2</td> <td>2900</td> <td>1\"/&gt;  <tr> <td>U-25</td> <td>"</td> <td>"</td> <td>V-675</td> <td>122</td> <td>1/2</td> <td>2900</td> <td>1\"/&gt;  <tr> <td>U-26</td> <td>"</td> <td>"</td> <td>V-675</td> <td>122</td> <td>1/2</td> <td>2900</td> <td>1\"/&gt;  <tr> <td>U-27</td> <td>"</td> <td>"</td> <td>V-675</td> <td>122</td> <td>1/2</td> <td>2900</td> <td>1\"/&gt;  <tr> <td>U-28</td> <td>"</td> <td>"</td> <td>V-675</td> <td>122</td> <td>1/2</td> <td>2900</td> <td>1\"/&gt;  <tr> <td>U-29</td> <td>"</td> <td>"</td> <td>V-675</td> <td>122</td> <td>1/2</td> <td>2900</td> <td>1\"/&gt;  <tr> <td>U-30</td> <td>"</td> <td>"</td> <td>V-675</td> <td>122</td> <td>1/2</td> <td>2900</td> <td>1\"/&gt;  <tr> <td>U-31</td> <td>"</td> <td>"</td> <td>V-675</td> <td>122</td> <td>1/2</td> <td>2900</td> <td>1\"/&gt;  <tr> <td>U-32</td> <td>"</td> <td>"</td> <td>V-675</td> <td>122</td> <td>1/2</td> <td>2900</td> <td>1\"/&gt;  <tr> <td>U-33</td> <td>"</td> <td>"</td> <td>V-675</td> <td>122</td> <td>1/2</td> <td>2900</td> <td>1\"/&gt;  <tr> <td>U-34</td> <td>"</td> <td>"</td> <td>V-675</td> <td>122</td> <td>1/2</td> <td>2900</td> <td>1\"/&gt;  <tr> <td>U-35</td> <td>"</td> <td>"</td> <td>V-675</td> <td>122</td> <td>1/2</td> <td>2900</td> <td>1\"/&gt;  <tr> <td>U-36</td> <td>"</td> <td>"</td> <td>V-675</td> <td>122</td> <td>1/2</td> <td>2900</td> <td>1\"/&gt;  <tr> <td>U-37</td> <td>"</td> <td>"</td> <td>V-675</td> <td>122</td> <td>1/2</td> <td>2900</td> <td>1\"/&gt; 
<tr> <td>U-38</td> <td>"</td> <td>"</td> <td>V-675</td> <td>122</td> <td>1/2</td> <td>2900</td> <td>1\"/&gt;  <tr> <td>U-39</td> <td>"</td> <td>"</td> <td>V-675</td> <td>122</td> <td>1/2</td> <td>2900</td> <td>1\"/&gt;  <tr> <td>U-40</td> <td>"</td> <td>"</td> <td>V-675</td> <td>122</td> <td>1/2</td> <td>2900</td> <td>1\"/&gt;  <tr> <td>U-41</td> <td>"</td> <td>"</td> <td>V-675</td> <td>122</td> <td>1/2</td> <td>2900</td> <td>1\"/&gt;  <tr> <td>U-42</td> <td>"</td> <td>"</td> <td>V-675</td> <td>122</td> <td>1/2</td> <td>2900</td> <td>1\"/&gt;  <tr> <td>U-43</td> <td>"</td> <td>"</td> <td>V-675</td> <td>122</td> <td>1/2</td> <td>2900</td> <td>1\"/&gt;  <tr> <td>U-44</td> <td>"</td> <td>"</td> <td>V-675</td> <td>122</td> <td>1/2</td> <td>2900</td> <td>1\"/&gt;  <tr> <td>U-45</td> <td>"</td> <td>"</td> <td>V-675</td> <td>122</td> <td>1/2</td> <td>2900</td> <td>1\"/&gt;  <tr> <td>U-46</td> <td>"</td> <td>"</td> <td>V-675</td> <td>122</td> <td>1/2</td> <td>2900</td> <td>1\"/&gt;  <tr> <td>U-47</td> <td>"</td> <td>"</td> <td>V-675</td> <td>122</td> <td>1/2</td> <td>2900</td> <td>1\"/&gt;  <tr> <td>U-48</td> <td>"</td> <td>"</td> <td>V-675</td> <td>122</td> <td>1/2</td> <td>2900</td> <td>1\"/&gt;  <tr> <td>U-49</td> <td>"</td> <td>"</td> <td>V-675</td> <td>122</td> <td>1/2</td> <td>2900</td> <td>1\"/&gt;  <tr> <td>U-50</td> <td>"</td> <td>"</td> <td>V-675</td> <td>122</td> <td>1/2</td> <td>2900</td> <td>1\"/&gt;  </td></tr></td></tr></td></tr></td></tr></td></tr></td></tr></td></tr></td></tr></td></tr></td></tr></td></tr></td></tr></td></tr></td></tr></td></tr></td></tr></td></tr></td></tr></td></tr></td></tr></td></tr></td></tr></td></tr></td></tr></td></tr></td></tr></td></tr></td></tr></td></tr></td></tr></td></tr></td></tr></td></tr></td></tr></td></tr></td></tr></td></tr></td></tr></td></tr></td></tr></td></tr></td></tr></td></tr>   | U-8  | " | " | V-675  | 122 | 1/2 | 2900   | 1\"/> <tr> <td>U-9</td> <td>"</td> <td>"</td> <td>V-675</td> <td>122</td> <td>1/2</td> <td>2900</td> <td>1\"/&gt;  <tr> <td>U-10</td> <td>"</td> <td>"</td> <td>V-675</td> <td>122</td> <td>1/2</td> <td>2900</td> <td>1\"/&gt;  <tr> <td>U-11</td> <td>"</td> <td>"</td> <td>V-675</td> <td>122</td> <td>1/2</td> <td>2900</td> <td>1\"/&gt;  <tr> <td>U-12</td> <td>"</td> <td>"</td> <td>V-675</td> <td>122</td> <td>1/2</td> <td>2900</td> <td>1\"/&gt;  <tr> <td>U-13</td> <td>"</td> <td>"</td> <td>V-675</td> <td>122</td> <td>1/2</td> <td>2900</td> <td>1\"/&gt;  <tr> <td>U-14</td> <td>"</td> <td>"</td> <td>V-675</td> <td>122</td> <td>1/2</td> <td>2900</td> <td>1\"/&gt;  <tr> <td>U-15</td> <td>"</td> <td>"</td> <td>V-675</td> <td>122</td> <td>1/2</td> <td>2900</td> <td>1\"/&gt;  <tr> <td>U-16</td> <td>"</td> <td>"</td> <td>V-675</td> <td>122</td> <td>1/2</td> <td>2900</td> <td>1\"/&gt;  <tr> <td>U-17</td> <td>"</td> <td>"</td> <td>V-675</td> <td>122</td> <td>1/2</td> <td>2900</td> <td>1\"/&gt;  <tr> <td>U-18</td> <td>"</td> <td>"</td> <td>V-675</td> <td>122</td> <td>1/2</td> <td>2900</td> <td>1\"/&gt;  <tr> <td>U-19</td> <td>"</td> <td>"</td> <td>V-675</td> <td>122</td> <td>1/2</td> <td>2900</td> <td>1\"/&gt;  <tr> <td>U-20</td> <td>"</td> <td>"</td> <td>V-675</td> <td>122</td> <td>1/2</td> <td>2900</td> <td>1\"/&gt;  <tr> <td>U-21</td> <td>"</td> <td>"</td> <td>V-675</td> <td>122</td> <td>1/2</td> <td>2900</td> <td>1\"/&gt;  <tr> <td>U-22</td> <td>"</td> <td>"</td> <td>V-675</td> <td>122</td> <td>1/2</td> <td>2900</td> <td>1\"/&gt;  <tr> <td>U-23</td> <td>"</td> <td>"</td> <td>V-675</td> <td>122</td> <td>1/2</td> <td>2900</td> <td>1\"/&gt;  <tr> <td>U-24</td> <td>"</td> <td>"</td> <td>V-675</td> <td>122</td> <td>1/2</td> <td>2900</td> <td>1\"/&gt;  <tr> <td>U-25</td> <td>"</td> <td>"</td> <td>V-675</td> <td>122</td> <td>1/2</td> <td>2900</td> <td>1\"/&gt;  <tr> <td>U-26</td> <td>"</td> <td>"</td> <td>V-675</td> <td>122</td> <td>1/2</td> <td>2900</td> <td>1\"/&gt;  <tr> <td>U-27</td> <td>"</td> <td>"</td> <td>V-675</td> <td>122</td> <td>1/2</td> <td>2900</td> <td>1\"/&gt;  <tr> <td>U-28</td> <td>"</td> <td>"</td> <td>V-675</td> <td>122</td> <td>1/2</td> <td>2900</td> <td>1\"/&gt;  <tr> <td>U-29</td> <td>"</td> <td>"</td> <td>V-675</td> <td>122</td> <td>1/2</td> <td>2900</td> <td>1\"/&gt;  <tr> <td>U-30</td> <td>"</td> <td>"</td> <td>V-675</td> <td>122</td> <td>1/2</td> <td>2900</td> <td>1\"/&gt;  <tr> <td>U-31</td> <td>"</td> <td>"</td> <td>V-675</td> <td>122</td> <td>1/2</td> <td>2900</td> <td>1\"/&gt;  <tr> <td>U-32</td> <td>"</td> <td>"</td> <td>V-675</td> <td>122</td> <td>1/2</td> <td>2900</td> <td>1\"/&gt;  <tr> <td>U-33</td> <td>"</td> <td>"</td> <td>V-675</td> <td>122</td> <td>1/2</td> <td>2900</td> <td>1\"/&gt;  <tr> <td>U-34</td> <td>"</td> <td>"</td> <td>V-675</td> <td>122</td> <td>1/2</td> <td>2900</td> <td>1\"/&gt;  <tr> <td>U-35</td> <td>"</td> <td>"</td> <td>V-675</td> <td>122</td> <td>1/2</td> <td>2900</td> <td>1\"/&gt;  <tr> <td>U-36</td> <td>"</td> <td>"</td> <td>V-675</td> <td>122</td> <td>1/2</td> <td>2900</td> <td>1\"/&gt;  <tr> <td>U-37</td> <td>"</td> <td>"</td> <td>V-675</td> <td>122</td> <td>1/2</td> <td>2900</td> <td>1\"/&gt;  <tr> <td>U-38</td> <td>"</td> <td>"</td> <td>V-675</td> <td>122</td> <td>1/2</td> <td>2900</td> <td>1\"/&gt;  <tr> <td>U-39</td> <td>"</td> <td>"</td> <td>V-675</td> <td>122</td> <td>1/2</td> <td>2900</td> <td>1\"/&gt;  <tr> <td>U-40</td> <td>"</td> <td>"</td> <td>V-675</td> <td>122</td> <td>1/2</td> <td>2900</td> <td>1\"/&gt;  <tr> <td>U-41</td> <td>"</td> <td>"</td> <td>V-675</td> <td>122</td> <td>1/2</td> <td>2900</td> <td>1\"/&gt;  <tr> <td>U-42</td> <td>"</td> <td>"</td> <td>V-675</td> <td>122</td> <td>1/2</td> <td>2900</td> <td>1\"/&gt;  <tr> <td>U-43</td> <td>"</td> <td>"</td> <td>V-675</td> <td>122</td> <td>1/2</td> <td>2900</td> <td>1\"/&gt;  <tr> <td>U-44</td> <td>"</td> <td>"</td> <td>V-675</td> <td>122</td> <td>1/2</td> <td>2900</td> <td>1\"/&gt;  <tr> <td>U-45</td> <td>"</td> <td>"</td> <td>V-675</td> <td>122</td> <td>1/2</td> <td>2900</td> <td>1\"/&gt;  <tr> <td>U-46</td> <td>"</td> <td>"</td> <td>V-675</td> <td>122</td> <td>1/2</td> <td>2900</td> <td>1\"/&gt;  <tr> <td>U-47</td> <td>"</td> <td>"</td> <td>V-675</td> <td>122</td> <td>1/2</td> <td>2900</td> <td>1\"/&gt;  <tr> <td>U-48</td> <td>"</td> <td>"</td> <td>V-675</td> <td>122</td> <td>1/2</td> <td>2900</td> <td>1\"/&gt;  <tr> <td>U-49</td> <td>"</td> <td>"</td> <td>V-675</td> <td>122</td> <td>1/2</td> <td>2900</td> <td>1\"/&gt;  <tr> <td>U-50</td> <td>"</td> <td>"</td> <td>V-675</td> <td>122</td> <td>1/2</td> <td>2900</td> <td>1\"/&gt;  </td></tr></td></tr></td></tr></td></tr></td></tr></td></tr></td></tr></td></tr></td></tr></td></tr></td></tr></td></tr></td></tr></td></tr></td></tr></td></tr></td></tr></td></tr></td></tr></td></tr></td></tr></td></tr></td></tr></td></tr></td></tr></td></tr></td></tr></td></tr></td></tr></td></tr></td></tr></td></tr></td></tr></td></tr></td></tr></td></tr></td></tr></td></tr></td></tr></td></tr></td></tr></td></tr>  | U-9  | " | " | V-675 | 122 | 1/2 | 2900    | 1\"/> <tr> <td>U-10</td> <td>"</td> <td>"</td> <td>V-675</td> <td>122</td> <td>1/2</td> <td>2900</td> <td>1\"/&gt;  <tr> <td>U-11</td> <td>"</td> <td>"</td> <td>V-675</td> <td>122</td> <td>1/2</td> <td>2900</td> <td>1\"/&gt;  <tr> <td>U-12</td> <td>"</td> <td>"</td> <td>V-675</td> <td>122</td> <td>1/2</td> <td>2900</td> <td>1\"/&gt;  <tr> <td>U-13</td> <td>"</td> <td>"</td> <td>V-675</td> <td>122</td> <td>1/2</td> <td>2900</td> <td>1\"/&gt;  <tr> <td>U-14</td> <td>"</td> <td>"</td> <td>V-675</td> <td>122</td> <td>1/2</td> <td>2900</td> <td>1\"/&gt;  <tr> <td>U-15</td> <td>"</td> <td>"</td> <td>V-675</td> <td>122</td> <td>1/2</td> <td>2900</td> <td>1\"/&gt;  <tr> <td>U-16</td> <td>"</td> <td>"</td> <td>V-675</td> <td>122</td> <td>1/2</td> <td>2900</td> <td>1\"/&gt;  <tr> <td>U-17</td> <td>"</td> <td>"</td> <td>V-675</td> <td>122</td> <td>1/2</td> <td>2900</td> <td>1\"/&gt;  <tr> <td>U-18</td> <td>"</td> <td>"</td> <td>V-675</td> <td>122</td> <td>1/2</td> <td>2900</td> <td>1\"/&gt;  <tr> <td>U-19</td> <td>"</td> <td>"</td> <td>V-675</td> <td>122</td> <td>1/2</td> <td>2900</td> <td>1\"/&gt;  <tr> <td>U-20</td> <td>"</td> <td>"</td> <td>V-675</td> <td>122</td> <td>1/2</td> <td>2900</td> <td>1\"/&gt;  <tr> <td>U-21</td> <td>"</td> <td>"</td> <td>V-675</td> <td>122</td> <td>1/2</td> <td>2900</td> <td>1\"/&gt;  <tr> <td>U-22</td> <td>"</td> <td>"</td> <td>V-675</td> <td>122</td> <td>1/2</td> <td>2900</td> <td>1\"/&gt;  <tr> <td>U-23</td> <td>"</td> <td>"</td> <td>V-675</td> <td>122</td> <td>1/2</td> <td>2900</td> <td>1\"/&gt;  <tr> <td>U-24</td> <td>"</td> <td>"</td> <td>V-675</td> <td>122</td> <td>1/2</td> <td>2900</td> <td>1\"/&gt;  <tr> <td>U-25</td> <td>"</td> <td>"</td> <td>V-675</td> <td>122</td> <td>1/2</td> <td>2900</td> <td>1\"/&gt;  <tr> <td>U-26</td> <td>"</td> <td>"</td>
<td>V-675</td> <td>122</td> <td>1/2</td> <td>2900</td> <td>1\"/&gt;  <tr> <td>U-27</td> <td>"</td> <td>"</td> <td>V-675</td> <td>122</td> <td>1/2</td> <td>2900</td> <td>1\"/&gt;  <tr> <td>U-28</td> <td>"</td> <td>"</td> <td>V-675</td> <td>122</td> <td>1/2</td> <td>2900</td> <td>1\"/&gt;  <tr> <td>U-29</td> <td>"</td> <td>"</td> <td>V-675</td> <td>122</td> <td>1/2</td> <td>2900</td> <td>1\"/&gt;  <tr> <td>U-30</td> <td>"</td> <td>"</td> <td>V-675</td> <td>122</td> <td>1/2</td> <td>2900</td> <td>1\"/&gt;  <tr> <td>U-31</td> <td>"</td> <td>"</td> <td>V-675</td> <td>122</td> <td>1/2</td> <td>2900</td> <td>1\"/&gt;  <tr> <td>U-32</td> <td>"</td> <td>"</td> <td>V-675</td> <td>122</td> <td>1/2</td> <td>2900</td> <td>1\"/&gt;  <tr> <td>U-33</td> <td>"</td> <td>"</td> <td>V-675</td> <td>122</td> <td>1/2</td> <td>2900</td> <td>1\"/&gt;  <tr> <td>U-34</td> <td>"</td> <td>"</td> <td>V-675</td> <td>122</td> <td>1/2</td> <td>2900</td> <td>1\"/&gt;  <tr> <td>U-35</td> <td>"</td> <td>"</td> <td>V-675</td> <td>122</td> <td>1/2</td> <td>2900</td> <td>1\"/&gt;  <tr> <td>U-36</td> <td>"</td> <td>"</td> <td>V-675</td> <td>122</td> <td>1/2</td> <td>2900</td> <td>1\"/&gt;  <tr> <td>U-37</td> <td>"</td> <td>"</td> <td>V-675</td> <td>122</td> <td>1/2</td> <td>2900</td> <td>1\"/&gt;  <tr> <td>U-38</td> <td>"</td> <td>"</td> <td>V-675</td> <td>122</td> <td>1/2</td> <td>2900</td> <td>1\"/&gt;  <tr> <td>U-39</td> <td>"</td> <td>"</td> <td>V-675</td> <td>122</td> <td>1/2</td> <td>2900</td> <td>1\"/&gt;  <tr> <td>U-40</td> <td>"</td> <td>"</td> <td>V-675</td> <td>122</td> <td>1/2</td> <td>2900</td> <td>1\"/&gt;  <tr> <td>U-41</td> <td>"</td> <td>"</td> <td>V-675</td> <td>122</td> <td>1/2</td> <td>2900</td> <td>1\"/&gt;  <tr> <td>U-42</td> <td>"</td> <td>"</td> <td>V-675</td> <td>122</td> <td>1/2</td> <td>2900</td> <td>1\"/&gt;  <tr> <td>U-43</td> <td>"</td> <td>"</td> <td>V-675</td> <td>122</td> <td>1/2</td> <td>2900</td> <td>1\"/&gt;  <tr> <td>U-44</td> <td>"</td> <td>"</td> <td>V-675</td> <td>122</td> <td>1/2</td> <td>2900</td> <td>1\"/&gt;  <tr> <td>U-45</td> <td>"</td> <td>"</td> <td>V-675</td> <td>122</td> <td>1/2</td> <td>2900</td> <td>1\"/&gt;  <tr> <td>U-46</td> <td>"</td> <td>"</td> <td>V-675</td> <td>122</td> <td>1/2</td> <td>2900</td> <td>1\"/&gt;  <tr> <td>U-47</td> <td>"</td> <td>"</td> <td>V-675</td> <td>122</td> <td>1/2</td> <td>2900</td> <td>1\"/&gt;  <tr> <td>U-48</td> <td>"</td> <td>"</td> <td>V-675</td> <td>122</td> <td>1/2</td> <td>2900</td> <td>1\"/&gt;  <tr> <td>U-49</td> <td>"</td> <td>"</td> <td>V-675</td> <td>122</td> <td>1/2</td> <td>2900</td> <td>1\"/&gt;  <tr> <td>U-50</td> <td>"</td> <td>"</td> <td>V-675</td> <td>122</td> <td>1/2</td> <td>2900</td> <td>1\"/&gt;  </td></tr></td></tr></td></tr></td></tr></td></tr></td></tr></td></tr></td></tr></td></tr></td></tr></td></tr></td></tr></td></tr></td></tr></td></tr></td></tr></td></tr></td></tr></td></tr></td></tr></td></tr></td></tr></td></tr></td></tr></td></tr></td></tr></td></tr></td></tr></td></tr></td></tr></td></tr></td></tr></td></tr></td></tr></td></tr></td></tr></td></tr></td></tr></td></tr></td></tr></td></tr>  | U-10 | " | " | V-675 | 122 | 1/2 | 2900   | 1\"/> <tr> <td>U-11</td> <td>"</td> <td>"</td> <td>V-675</td> <td>122</td> <td>1/2</td> <td>2900</td> <td>1\"/&gt;  <tr> <td>U-12</td> <td>"</td> <td>"</td> <td>V-675</td> <td>122</td> <td>1/2</td> <td>2900</td> <td>1\"/&gt;  <tr> <td>U-13</td> <td>"</td> <td>"</td> <td>V-675</td> <td>122</td> <td>1/2</td> <td>2900</td> <td>1\"/&gt;  <tr> <td>U-14</td> <td>"</td> <td>"</td> <td>V-675</td> <td>122</td> <td>1/2</td> <td>2900</td> <td>1\"/&gt;  <tr> <td>U-15</td> <td>"</td> <td>"</td> <td>V-675</td> <td>122</td> <td>1/2</td> <td>2900</td> <td>1\"/&gt;  <tr> <td>U-16</td> <td>"</td> <td>"</td> <td>V-675</td> <td>122</td> <td>1/2</td> <td>2900</td> <td>1\"/&gt;  <tr> <td>U-17</td> <td>"</td> <td>"</td> <td>V-675</td> <td>122</td> <td>1/2</td> <td>2900</td> <td>1\"/&gt;  <tr> <td>U-18</td> <td>"</td> <td>"</td> <td>V-675</td> <td>122</td> <td>1/2</td> <td>2900</td> <td>1\"/&gt;  <tr> <td>U-19</td> <td>"</td> <td>"</td> <td>V-675</td> <td>122</td> <td>1/2</td> <td>2900</td> <td>1\"/&gt;  <tr> <td>U-20</td> <td>"</td> <td>"</td> <td>V-675</td> <td>122</td> <td>1/2</td> <td>2900</td> <td>1\"/&gt;  <tr> <td>U-21</td> <td>"</td> <td>"</td> <td>V-675</td> <td>122</td> <td>1/2</td> <td>2900</td> <td>1\"/&gt;  <tr> <td>U-22</td> <td>"</td> <td>"</td> <td>V-675</td> <td>122</td> <td>1/2</td> <td>2900</td> <td>1\"/&gt;  <tr> <td>U-23</td> <td>"</td> <td>"</td> <td>V-675</td> <td>122</td> <td>1/2</td> <td>2900</td> <td>1\"/&gt;  <tr> <td>U-24</td> <td>"</td> <td>"</td> <td>V-675</td> <td>122</td> <td>1/2</td> <td>2900</td> <td>1\"/&gt;  <tr> <td>U-25</td> <td>"</td> <td>"</td> <td>V-675</td> <td>122</td> <td>1/2</td> <td>2900</td> <td>1\"/&gt;  <tr> <td>U-26</td> <td>"</td> <td>"</td> <td>V-675</td> <td>122</td> <td>1/2</td> <td>2900</td> <td>1\"/&gt;  <tr> <td>U-27</td> <td>"</td> <td>"</td> <td>V-675</td> <td>122</td> <td>1/2</td> <td>2900</td> <td>1\"/&gt;  <tr> <td>U-28</td> <td>"</td> <td>"</td> <td>V-675</td> <td>122</td> <td>1/2</td> <td>2900</td> <td>1\"/&gt;  <tr> <td>U-29</td> <td>"</td> <td>"</td> <td>V-675</td> <td>122</td> <td>1/2</td> <td>2900</td> <td>1\"/&gt;  <tr> <td>U-30</td> <td>"</td> <td>"</td> <td>V-675</td> <td>122</td> <td>1/2</td> <td>2900</td> <td>1\"/&gt;  <tr> <td>U-31</td> <td>"</td> <td>"</td> <td>V-675</td> <td>122</td> <td>1/2</td> <td>2900</td> <td>1\"/&gt;  <tr> <td>U-32</td> <td>"</td> <td>"</td> <td>V-675</td> <td>122</td> <td>1/2</td> <td>2900</td> <td>1\"/&gt;  <tr> <td>U-33</td> <td>"</td> <td>"</td> <td>V-675</td> <td>122</td> <td>1/2</td> <td>2900</td> <td>1\"/&gt;  <tr> <td>U-34</td> <td>"</td> <td>"</td> <td>V-675</td> <td>122</td> <td>1/2</td> <td>2900</td> <td>1\"/&gt;  <tr> <td>U-35</td> <td>"</td> <td>"</td> <td>V-675</td> <td>122</td> <td>1/2</td> <td>2900</td> <td>1\"/&gt;  <tr> <td>U-36</td> <td>"</td> <td>"</td> <td>V-675</td> <td>122</td> <td>1/2</td> <td>2900</td> <td>1\"/&gt;  <tr> <td>U-37</td> <td>"</td> <td>"</td> <td>V-675</td> <td>122</td> <td>1/2</td> <td>2900</td> <td>1\"/&gt;  <tr> <td>U-38</td> <td>"</td> <td>"</td> <td>V-675</td> <td>122</td> <td>1/2</td> <td>2900</td> <td>1\"/&gt;  <tr> <td>U-39</td> <td>"</td> <td>"</td> <td>V-675</td> <td>122</td> <td>1/2</td> <td>2900</td> <td>1\"/&gt;  <tr> <td>U-40</td> <td>"</td> <td>"</td> <td>V-675</td> <td>122</td> <td>1/2</td> <td>2900</td> <td>1\"/&gt;  <tr> <td>U-41</td> <td>"</td> <td>"</td> <td>V-675</td> <td>122</td> <td>1/2</td> <td>2900</td> <td>1\"/&gt;  <tr> <td>U-42</td> <td>"</td> <td>"</td> <td>V-675</td> <td>122</td> <td>1/2</td> <td>2900</td> <td>1\"/&gt;  <tr> <td>U-43</td> <td>"</td> <td>"</td> <td>V-675</td> <td>122</td> <td>1/2</td> <td>2900</td> <td>1\"/&gt;  <tr> <td>U-44</td> <td>"</td> <td>"</td> <td>V-675</td> <td>122</td> <td>1/2</td> <td>2900</td> <td>1\"/&gt;  <tr> <td>U-45</td> <td>"</td> <td>"</td> <td>V-675</td> <td>122</td> <td>1/2</td> <td>2900</td> <td>1\"/&gt;  <tr> <td>U-46</td> <td>"</td> <td>"</td> <td>V-675</td> <td>122</td> <td>1/2</td> <td>2900</td> <td>1\"/&gt;  <tr> <td>U-47</td> <td>"</td> <td>"</td> <td>V-675</td> <td>122</td> <td>1/2</td> <td>2900</td> <td>1\"/&gt;  <tr> <td>U-48</td> <td>"</td> <td>"</td> <td>V-675</td> <td>122</td> <td>1/2</td> <td>2900</td> <td>1\"/&gt;  <tr> <td>U-49</td> <td>"</td> <td>"</td> <td>V-675</td> <td>122</td> <td>1/2</td> <td>2900</td> <td>1\"/&gt;  <tr> <td>U-50</td> <td>"</td> <td>"</td> <td>V-675</td> <td>122</td> <td>1/2</td> <td>2900</td> <td>1\"/&gt;  </td></tr></td></tr></td></tr></td></tr></td></tr></td></tr></td></tr></td></tr></td></tr></td></tr></td></tr></td></tr></td></tr></td></tr></td></tr></td></tr></td></tr></td></tr></td></tr></td></tr></td></tr></td></tr></td></tr></td></tr></td></tr></td></tr></td></tr></td></tr></td></tr></td></tr></td></tr></td></tr></td></tr></td></tr></td></tr></td></tr></td></tr></td></tr></td></tr></td></tr>   | U-11 | " | " | V-675 | 122 | 1/2 | 2900    | 1\"/> <tr> <td>U-12</td> <td>"</td> <td>"</td> <td>V-675</td> <td>122</td> <td>1/2</td> <td>2900</td> <td>1\"/&gt;  <tr> <td>U-13</td> <td>"</td> <td>"</td> <td>V-675</td> <td>122</td> <td>1/2</td> <td>2900</td> <td>1\"/&gt;  <tr> <td>U-14</td> <td>"</td> <td>"</td> <td>V-675</td> <td>122</td> <td>1/2</td> <td>2900</td> <td>1\"/&gt;  <tr> <td>U-15</td> <td>"</td> <td>"</td> <td>V-675</td> <td>122</td> <td>1/2</td> <td>2900</td> <td>1\"/&gt;  <tr> <td>U-16</td> <td>"</td> <td>"</td> <td>V-675</td> <td>122</td> <td>1/2</td> <td>2900</td> <td>1\"/&gt;  <tr> <td>U-17</td> <td>"</td> <td>"</td> <td>V-675</td> <td>122</td> <td>1/2</td> <td>2900</td> <td>1\"/&gt;  <tr> <td>U-18</td> <td>"</td> <td>"</td> <td>V-675</td> <td>122</td> <td>1/2</td> <td>2900</td> <td>1\"/&gt;  <tr>
<td>U-19</td> <td>"</td> <td>"</td> <td>V-675</td> <td>122</td> <td>1/2</td> <td>2900</td> <td>1\"/&gt;  <tr> <td>U-20</td> <td>"</td> <td>"</td> <td>V-675</td> <td>122</td> <td>1/2</td> <td>2900</td> <td>1\"/&gt;  <tr> <td>U-21</td> <td>"</td> <td>"</td> <td>V-675</td> <td>122</td> <td>1/2</td> <td>2900</td> <td>1\"/&gt;  <tr> <td>U-22</td> <td>"</td> <td>"</td> <td>V-675</td> <td>122</td> <td>1/2</td> <td>2900</td> <td>1\"/&gt;  <tr> <td>U-23</td> <td>"</td> <td>"</td> <td>V-675</td> <td>122</td> <td>1/2</td> <td>2900</td> <td>1\"/&gt;  <tr> <td>U-24</td> <td>"</td> <td>"</td> <td>V-675</td> <td>122</td> <td>1/2</td> <td>2900</td> <td>1\"/&gt;  <tr> <td>U-25</td> <td>"</td> <td>"</td> <td>V-675</td> <td>122</td> <td>1/2</td> <td>2900</td> <td>1\"/&gt;  <tr> <td>U-26</td> <td>"</td> <td>"</td> <td>V-675</td> <td>122</td> <td>1/2</td> <td>2900</td> <td>1\"/&gt;  <tr> <td>U-27</td> <td>"</td> <td>"</td> <td>V-675</td> <td>122</td> <td>1/2</td> <td>2900</td> <td>1\"/&gt;  <tr> <td>U-28</td> <td>"</td> <td>"</td> <td>V-675</td> <td>122</td> <td>1/2</td> <td>2900</td> <td>1\"/&gt;  <tr> <td>U-29</td> <td>"</td> <td>"</td> <td>V-675</td> <td>122</td> <td>1/2</td> <td>2900</td> <td>1\"/&gt;  <tr> <td>U-30</td> <td>"</td> <td>"</td> <td>V-675</td> <td>122</td> <td>1/2</td> <td>2900</td> <td>1\"/&gt;  <tr> <td>U-31</td> <td>"</td> <td>"</td> <td>V-675</td> <td>122</td> <td>1/2</td> <td>2900</td> <td>1\"/&gt;  <tr> <td>U-32</td> <td>"</td> <td>"</td> <td>V-675</td> <td>122</td> <td>1/2</td> <td>2900</td> <td>1\"/&gt;  <tr> <td>U-33</td> <td>"</td> <td>"</td> <td>V-675</td> <td>122</td> <td>1/2</td> <td>2900</td> <td>1\"/&gt;  <tr> <td>U-34</td> <td>"</td> <td>"</td> <td>V-675</td> <td>122</td> <td>1/2</td> <td>2900</td> <td>1\"/&gt;  <tr> <td>U-35</td> <td>"</td> <td>"</td> <td>V-675</td> <td>122</td> <td>1/2</td> <td>2900</td> <td>1\"/&gt;  <tr> <td>U-36</td> <td>"</td> <td>"</td> <td>V-675</td> <td>122</td> <td>1/2</td> <td>2900</td> <td>1\"/&gt;  <tr> <td>U-37</td> <td>"</td> <td>"</td> <td>V-675</td> <td>122</td> <td>1/2</td> <td>2900</td> <td>1\"/&gt;  <tr> <td>U-38</td> <td>"</td> <td>"</td> <td>V-675</td> <td>122</td> <td>1/2</td> <td>2900</td> <td>1\"/&gt;  <tr> <td>U-39</td> <td>"</td> <td>"</td> <td>V-675</td> <td>122</td> <td>1/2</td> <td>2900</td> <td>1\"/&gt;  <tr> <td>U-40</td> <td>"</td> <td>"</td> <td>V-675</td> <td>122</td> <td>1/2</td> <td>2900</td> <td>1\"/&gt;  <tr> <td>U-41</td> <td>"</td> <td>"</td> <td>V-675</td> <td>122</td> <td>1/2</td> <td>2900</td> <td>1\"/&gt;  <tr> <td>U-42</td> <td>"</td> <td>"</td> <td>V-675</td> <td>122</td> <td>1/2</td> <td>2900</td> <td>1\"/&gt;  <tr> <td>U-43</td> <td>"</td> <td>"</td> <td>V-675</td> <td>122</td> <td>1/2</td> <td>2900</td> <td>1\"/&gt;  <tr> <td>U-44</td> <td>"</td> <td>"</td> <td>V-675</td> <td>122</td> <td>1/2</td> <td>2900</td> <td>1\"/&gt;  <tr> <td>U-45</td> <td>"</td> <td>"</td> <td>V-675</td> <td>122</td> <td>1/2</td> <td>2900</td> <td>1\"/&gt;  <tr> <td>U-46</td> <td>"</td> <td>"</td> <td>V-675</td> <td>122</td> <td>1/2</td> <td>2900</td> <td>1\"/&gt;  <tr> <td>U-47</td> <td>"</td> <td>"</td> <td>V-675</td> <td>122</td> <td>1/2</td> <td>2900</td> <td>1\"/&gt;  <tr> <td>U-48</td> <td>"</td> <td>"</td> <td>V-675</td> <td>122</td> <td>1/2</td> <td>2900</td> <td>1\"/&gt;  <tr> <td>U-49</td> <td>"</td> <td>"</td> <td>V-675</td> <td>122</td> <td>1/2</td> <td>2900</td> <td>1\"/&gt;  <tr> <td>U-50</td> <td>"</td> <td>"</td> <td>V-675</td> <td>122</td> <td>1/2</td> <td>2900</td> <td>1\"/&gt;  </td></tr></td></tr></td></tr></td></tr></td></tr></td></tr></td></tr></td></tr></td></tr></td></tr></td></tr></td></tr></td></tr></td></tr></td></tr></td></tr></td></tr></td></tr></td></tr></td></tr></td></tr></td></tr></td></tr></td></tr></td></tr></td></tr></td></tr></td></tr></td></tr></td></tr></td></tr></td></tr></td></tr></td></tr></td></tr></td></tr></td></tr></td></tr></td></tr>  | U-12 | "           | "      | V-675  | 122  | 1/2 | 2900 | 1\"/> <tr> <td>U-13</td> <td>"</td> <td>"</td> <td>V-675</td> <td>122</td> <td>1/2</td> <td>2900</td> <td>1\"/&gt;  <tr> <td>U-14</td> <td>"</td> <td>"</td> <td>V-675</td> <td>122</td> <td>1/2</td> <td>2900</td> <td>1\"/&gt;  <tr> <td>U-15</td> <td>"</td> <td>"</td> <td>V-675</td> <td>122</td> <td>1/2</td> <td>2900</td> <td>1\"/&gt;  <tr> <td>U-16</td> <td>"</td> <td>"</td> <td>V-675</td> <td>122</td> <td>1/2</td> <td>2900</td> <td>1\"/&gt;  <tr> <td>U-17</td> <td>"</td> <td>"</td> <td>V-675</td> <td>122</td> <td>1/2</td> <td>2900</td> <td>1\"/&gt;  <tr> <td>U-18</td> <td>"</td> <td>"</td> <td>V-675</td> <td>122</td> <td>1/2</td> <td>2900</td> <td>1\"/&gt;  <tr> <td>U-19</td> <td>"</td> <td>"</td> <td>V-675</td> <td>122</td> <td>1/2</td> <td>2900</td> <td>1\"/&gt;  <tr> <td>U-20</td> <td>"</td> <td>"</td> <td>V-675</td> <td>122</td> <td>1/2</td> <td>2900</td> <td>1\"/&gt;  <tr> <td>U-21</td> <td>"</td> <td>"</td> <td>V-675</td> <td>122</td> <td>1/2</td> <td>2900</td> <td>1\"/&gt;  <tr> <td>U-22</td> <td>"</td> <td>"</td> <td>V-675</td> <td>122</td> <td>1/2</td> <td>2900</td> <td>1\"/&gt;  <tr> <td>U-23</td> <td>"</td> <td>"</td> <td>V-675</td> <td>122</td> <td>1/2</td> <td>2900</td> <td>1\"/&gt;  <tr> <td>U-24</td> <td>"</td> <td>"</td> <td>V-675</td> <td>122</td> <td>1/2</td> <td>2900</td> <td>1\"/&gt;  <tr> <td>U-25</td> <td>"</td> <td>"</td> <td>V-675</td> <td>122</td> <td>1/2</td> <td>2900</td> <td>1\"/&gt;  <tr> <td>U-26</td> <td>"</td> <td>"</td> <td>V-675</td> <td>122</td> <td>1/2</td> <td>2900</td> <td>1\"/&gt;  <tr> <td>U-27</td> <td>"</td> <td>"</td> <td>V-675</td> <td>122</td> <td>1/2</td> <td>2900</td> <td>1\"/&gt;  <tr> <td>U-28</td> <td>"</td> <td>"</td> <td>V-675</td> <td>122</td> <td>1/2</td> <td>2900</td> <td>1\"/&gt;  <tr> <td>U-29</td> <td>"</td> <td>"</td> <td>V-675</td> <td>122</td> <td>1/2</td> <td>2900</td> <td>1\"/&gt;  <tr> <td>U-30</td> <td>"</td> <td>"</td> <td>V-675</td> <td>122</td> <td>1/2</td> <td>2900</td> <td>1\"/&gt;  <tr> <td>U-31</td> <td>"</td> <td>"</td> <td>V-675</td> <td>122</td> <td>1/2</td> <td>2900</td> <td>1\"/&gt;  <tr> <td>U-32</td> <td>"</td> <td>"</td> <td>V-675</td> <td>122</td> <td>1/2</td> <td>2900</td> <td>1\"/&gt;  <tr> <td>U-33</td> <td>"</td> <td>"</td> <td>V-675</td> <td>122</td> <td>1/2</td> <td>2900</td> <td>1\"/&gt;  <tr> <td>U-34</td> <td>"</td> <td>"</td> <td>V-675</td> <td>122</td> <td>1/2</td> <td>2900</td> <td>1\"/&gt;  <tr> <td>U-35</td> <td>"</td> <td>"</td> <td>V-675</td> <td>122</td> <td>1/2</td> <td>2900</td> <td>1\"/&gt;  <tr> <td>U-36</td> <td>"</td> <td>"</td> <td>V-675</td> <td>122</td> <td>1/2</td> <td>2900</td> <td>1\"/&gt;  <tr> <td>U-37</td> <td>"</td> <td>"</td> <td>V-675</td> <td>122</td> <td>1/2</td> <td>2900</td> <td>1\"/&gt;  <tr> <td>U-38</td> <td>"</td> <td>"</td> <td>V-675</td> <td>122</td> <td>1/2</td> <td>2900</td> <td>1\"/&gt;  <tr> <td>U-39</td> <td>"</td> <td>"</td> <td>V-675</td> <td>122</td> <td>1/2</td> <td>2900</td> <td>1\"/&gt;  <tr> <td>U-40</td> <td>"</td> <td>"</td> <td>V-675</td> <td>122</td> <td>1/2</td> <td>2900</td> <td>1\"/&gt;  <tr> <td>U-41</td> <td>"</td> <td>"</td> <td>V-675</td> <td>122</td> <td>1/2</td> <td>2900</td> <td>1\"/&gt;  <tr> <td>U-42</td> <td>"</td> <td>"</td> <td>V-675</td> <td>122</td> <td>1/2</td> <td>2900</td> <td>1\"/&gt;  <tr> <td>U-43</td> <td>"</td> <td>"</td> <td>V-675</td> <td>122</td> <td>1/2</td> <td>2900</td> <td>1\"/&gt;  <tr> <td>U-44</td> <td>"</td> <td>"</td> <td>V-675</td> <td>122</td> <td>1/2</td> <td>2900</td> <td>1\"/&gt;  <tr> <td>U-45</td> <td>"</td> <td>"</td> <td>V-675</td> <td>122</td> <td>1/2</td> <td>2900</td> <td>1\"/&gt;  <tr> <td>U-46</td> <td>"</td> <td>"</td> <td>V-675</td> <td>122</td> <td>1/2</td> <td>2900</td> <td>1\"/&gt;  <tr> <td>U-47</td> <td>"</td> <td>"</td> <td>V-675</td> <td>122</td> <td>1/2</td> <td>2900</td> <td>1\"/&gt;  <tr> <td>U-48</td> <td>"</td> <td>"</td> <td>V-675</td> <td>122</td> <td>1/2</td> <td>2900</td> <td>1\"/&gt;  <tr> <td>U-49</td> <td>"</td> <td>"</td> <td>V-675</td> <td>122</td> <td>1/2</td> <td>2900</td> <td>1\"/&gt;  <tr> <td>U-50</td> <td>"</td> <td>"</td> <td>V-675</td> <td>122</td> <td>1/2</td> <td>2900</td> <td>1\"/&gt;  </td></tr></td></tr></td></tr></td></tr></td></tr></td></tr></td></tr></td></tr></td></tr></td></tr></td></tr></td></tr></td></tr></td></tr></td></tr></td></tr></td></tr></td></tr></td></tr></td></tr></td></tr></td></tr></td></tr></td></tr></td></tr></td></tr></td></tr></td></tr></td></tr></td></tr></td></tr></td></tr></td></tr></td></tr></td></tr></td></tr></td></tr></td></tr>   
  | U-13 | " | " | V-675  | 122  | 1/2 | 2900 | 1\"/> <tr> <td>U-14</td> <td>"</td> <td>"</td> <td>V-675</td> <td>122</td> <td>1/2</td> <td>2900</td> <td>1\"/&gt;  <tr> <td>U-15</td> <td>"</td> <td>"</td> <td>V-675</td> <td>122</td> <td>1/2</td> <td>2900</td> <td>1\"/&gt;  <tr> <td>U-16</td> <td>"</td> <td>"</td> <td>V-675</td> <td>122</td> <td>1/2</td> <td>2900</td> <td>1\"/&gt;  <tr> <td>U-17</td> <td>"</td> <td>"</td> <td>V-675</td> <td>122</td> <td>1/2</td> <td>2900</td> <td>1\"/&gt;  <tr> <td>U-18</td> <td>"</td> <td>"</td> <td>V-675</td> <td>122</td> <td>1/2</td> <td>2900</td> <td>1\"/&gt;  <tr> <td>U-19</td> <td>"</td> <td>"</td> <td>V-675</td> <td>122</td> <td>1/2</td> <td>2900</td> <td>1\"/&gt;  <tr> <td>U-20</td> <td>"</td> <td>"</td> <td>V-675</td> <td>122</td> <td>1/2</td> <td>2900</td> <td>1\"/&gt;  <tr> <td>U-21</td> <td>"</td> <td>"</td> <td>V-675</td> <td>122</td> <td>1/2</td> <td>2900</td> <td>1\"/&gt;  <tr> <td>U-22</td> <td>"</td> <td>"</td> <td>V-675</td> <td>122</td> <td>1/2</td> <td>2900</td> <td>1\"/&gt;  <tr> <td>U-23</td> <td>"</td> <td>"</td> <td>V-675</td> <td>122</td> <td>1/2</td> <td>2900</td> <td>1\"/&gt;  <tr> <td>U-24</td> <td>"</td> <td>"</td> <td>V-675</td> <td>122</td> <td>1/2</td> <td>2900</td> <td>1\"/&gt;  <tr> <td>U-25</td> <td>"</td> <td>"</td> <td>V-675</td> <td>122</td> <td>1/2</td> <td>2900</td> <td>1\"/&gt;  <tr> <td>U-26</td> <td>"</td> <td>"</td> <td>V-675</td> <td>122</td> <td>1/2</td> <td>2900</td> <td>1\"/&gt;  <tr> <td>U-27</td> <td>"</td> <td>"</td> <td>V-675</td> <td>122</td> <td>1/2</td> <td>2900</td> <td>1\"/&gt;  <tr> <td>U-28</td> <td>"</td> <td>"</td> <td>V-675</td> <td>122</td> <td>1/2</td> <td>2900</td> <td>1\"/&gt;  <tr> <td>U-29</td> <td>"</td> <td>"</td> <td>V-675</td> <td>122</td> <td>1/2</td> <td>2900</td> <td>1\"/&gt;  <tr> <td>U-30</td> <td>"</td> <td>"</td> <td>V-675</td> <td>122</td> <td>1/2</td> <td>2900</td> <td>1\"/&gt;  <tr> <td>U-31</td> <td>"</td> <td>"</td> <td>V-675</td> <td>122</td> <td>1/2</td> <td>2900</td> <td>1\"/&gt;  <tr> <td>U-32</td> <td>"</td> <td>"</td> <td>V-675</td> <td>122</td> <td>1/2</td> <td>2900</td> <td>1\"/&gt;  <tr> <td>U-33</td> <td>"</td> <td>"</td> <td>V-675</td> <td>122</td> <td>1/2</td> <td>2900</td> <td>1\"/&gt;  <tr> <td>U-34</td> <td>"</td> <td>"</td> <td>V-675</td> <td>122</td> <td>1/2</td> <td>2900</td> <td>1\"/&gt;  <tr> <td>U-35</td> <td>"</td> <td>"</td> <td>V-675</td> <td>122</td> <td>1/2</td> <td>2900</td> <td>1\"/&gt;  <tr> <td>U-36</td> <td>"</td> <td>"</td> <td>V-675</td> <td>122</td> <td>1/2</td> <td>2900</td> <td>1\"/&gt;  <tr> <td>U-37</td> <td>"</td> <td>"</td> <td>V-675</td> <td>122</td> <td>1/2</td> <td>2900</td> <td>1\"/&gt;  <tr> <td>U-38</td> <td>"</td> <td>"</td> <td>V-675</td> <td>122</td> <td>1/2</td> <td>2900</td> <td>1\"/&gt;  <tr> <td>U-39</td> <td>"</td> <td>"</td> <td>V-675</td> <td>122</td> <td>1/2</td> <td>2900</td> <td>1\"/&gt;  <tr> <td>U-40</td> <td>"</td> <td>"</td> <td>V-675</td> <td>122</td> <td>1/2</td> <td>2900</td> <td>1\"/&gt;  <tr> <td>U-41</td> <td>"</td> <td>"</td> <td>V-675</td> <td>122</td> <td>1/2</td> <td>2900</td> <td>1\"/&gt;  <tr> <td>U-42</td> <td>"</td> <td>"</td> <td>V-675</td> <td>122</td> <td>1/2</td> <td>2900</td> <td>1\"/&gt;  <tr> <td>U-43</td> <td>"</td> <td>"</td> <td>V-675</td> <td>122</td> <td>1/2</td> <td>2900</td> <td>1\"/&gt;  <tr> <td>U-44</td> <td>"</td> <td>"</td> <td>V-675</td> <td>122</td> <td>1/2</td> <td>2900</td> <td>1\"/&gt;  <tr> <td>U-45</td> <td>"</td> <td>"</td> <td>V-675</td> <td>122</td> <td>1/2</td> <td>2900</td> <td>1\"/&gt;  <tr> <td>U-46</td> <td>"</td> <td>"</td> <td>V-675</td> <td>122</td> <td>1/2</td> <td>2900</td> <td>1\"/&gt;  <tr> <td>U-47</td> <td>"</td> <td>"</td> <td>V-675</td> <td>122</td> <td>1/2</td> <td>2900</td> <td>1\"/&gt;  <tr> <td>U-48</td> <td>"</td> <td>"</td> <td>V-675</td> <td>122</td> <td>1/2</td> <td>2900</td> <td>1\"/&gt;  <tr> <td>U-49</td> <td>"</td> <td>"</td> <td>V-675</td> <td>122</td> <td>1/2</td> <td>2900</td> <td>1\"/&gt;  <tr> <td>U-50</td> <td>"</td> <td>"</td> <td>V-675</td> <td>122</td> <td>1/2</td> <td>2900</td> <td>1\"/&gt;  </td></tr></td></tr></td></tr></td></tr></td></tr></td></tr></td></tr></td></tr></td></tr></td></tr></td></tr></td></tr></td></tr></td></tr></td></tr></td></tr></td></tr></td></tr></td></tr></td></tr></td></tr></td></tr></td></tr></td></tr></td></tr></td></tr></td></tr></td></tr></td></tr></td></tr></td></tr></td></tr></td></tr></td></tr></td></tr></td></tr></td></tr>   | U-14 | " | " | V-675  | 122 | 1/2 | 2900 | 1\"/> <tr> <td>U-15</td> <td>"</td> <td>"</td> <td>V-675</td> <td>122</td> <td>1/2</td> <td>2900</td> <td>1\"/&gt;  <tr> <td>U-16</td> <td>"</td> <td>"</td> <td>V-675</td> <td>122</td> <td>1/2</td> <td>2900</td> <td>1\"/&gt;  <tr> <td>U-17</td> <td>"</td> <td>"</td> <td>V-675</td> <td>122</td> <td>1/2</td> <td>2900</td> <td>1\"/&gt;  <tr> <td>U-18</td> <td>"</td> <td>"</td> <td>V-675</td> <td>122</td> <td>1/2</td> <td>2900</td> <td>1\"/&gt;  <tr> <td>U-19</td> <td>"</td> <td>"</td> <td>V-675</td> <td>122</td> <td>1/2</td> <td>2900</td> <td>1\"/&gt;  <tr> <td>U-20</td> <td>"</td> <td>"</td> <td>V-675</td> <td>122</td> <td>1/2</td> <td>2900</td> <td>1\"/&gt;  <tr> <td>U-21</td> <td>"</td> <td>"</td> <td>V-675</td> <td>122</td> <td>1/2</td> <td>2900</td> <td>1\"/&gt;  <tr> <td>U-22</td> <td>"</td> <td>"</td> <td>V-675</td> <td>122</td> <td>1/2</td> <td>2900</td> <td>1\"/&gt;  <tr> <td>U-23</td> <td>"</td> <td>"</td> <td>V-675</td> <td>122</td> <td>1/2</td> <td>2900</td> <td>1\"/&gt;  <tr> <td>U-24</td> <td>"</td> <td>"</td> <td>V-675</td> <td>122</td> <td>1/2</td> <td>2900</td> <td>1\"/&gt;  <tr> <td>U-25</td> <td>"</td> <td>"</td> <td>V-675</td> <td>122</td> <td>1/2</td> <td>2900</td> <td>1\"/&gt;  <tr> <td>U-26</td> <td>"</td> <td>"</td> <td>V-675</td> <td>122</td> <td>1/2</td> <td>2900</td> <td>1\"/&gt;  <tr> <td>U-27</td> <td>"</td> <td>"</td> <td>V-675</td> <td>122</td> <td>1/2</td> <td>2900</td> <td>1\"/&gt;  <tr> <td>U-28</td> <td>"</td> <td>"</td> <td>V-675</td> <td>122</td> <td>1/2</td> <td>2900</td> <td>1\"/&gt;  <tr> <td>U-29</td> <td>"</td> <td>"</td> <td>V-675</td> <td>122</td> <td>1/2</td> <td>2900</td> <td>1\"/&gt;  <tr> <td>U-30</td> <td>"</td> <td>"</td> <td>V-675</td> <td>122</td> <td>1/2</td> <td>2900</td> <td>1\"/&gt;  <tr> <td>U-31</td> <td>"</td> <td>"</td> <td>V-675</td> <td>122</td> <td>1/2</td> <td>2900</td> <td>1\"/&gt;  <tr> <td>U-32</td> <td>"</td> <td>"</td> <td>V-675</td> <td>122</td> <td>1/2</td> <td>2900</td> <td>1\"/&gt;  <tr> <td>U-33</td> <td>"</td> <td>"</td> <td>V-675</td> <td>122</td> <td>1/2</td> <td>2900</td> <td>1\"/&gt;  <tr> <td>U-34</td> <td>"</td> <td>"</td> <td>V-675</td> <td>122</td> <td>1/2</td> <td>2900</td> <td>1\"/&gt;  <tr> <td>U-35</td> <td>"</td> <td>"</td> <td>V-675</td> <td>122</td> <td>1/2</td> <td>2900</td> <td>1\"/&gt;  <tr> <td>U-36</td> <td>"</td> <td>"</td> <td>V-675</td> <td>122</td> <td>1/2</td> <td>2900</td> <td>1\"/&gt;  <tr> <td>U-37</td> <td>"</td> <td>"</td> <td>V-675</td> <td>122</td> <td>1/2</td> <td>2900</td> <td>1\"/&gt;  <tr> <td>U-38</td> <td>"</td> <td>"</td> <td>V-675</td> <td>122</td> <td>1/2</td> <td>2900</td> <td>1\"/&gt;  <tr> <td>U-39</td> <td>"</td> <td>"</td> <td>V-675</td> <td>122</td> <td>1/2</td> <td>2900</td> <td>1\"/&gt;  <tr> <td>U-40</td> <td>"</td> <td>"</td> <td>V-675</td> <td>122</td> <td>1/2</td> <td>2900</td> <td>1\"/&gt;  <tr> <td>U-41</td> <td>"</td> <td>"</td> <td>V-675</td> <td>122</td> <td>1/2</td> <td>2900</td> <td>1\"/&gt;  <tr> <td>U-42</td> <td>"</td> <td>"</td> <td>V-675</td> <td>122</td> <td>1/2</td> <td>2900</td> <td>1\"/&gt;  <tr> <td>U-43</td> <td>"</td> <td>"</td> <td>V-675</td> <td>122</td> <td>1/2</td> <td>2900</td> <td>1\"/&gt;  <tr> <td>U-44</td> <td>"</td> <td>"</td> <td>V-675</td> <td>122</td> <td>1/2</td> <td>2900</td> <td>1\"/&gt;  <tr> <td>U-45</td> <td>"</td> <td>"</td> <td>V-675</td> <td>122</td> <td>1/2</td> <td>2900</td> <td>1\"/&gt;  <tr> <td>U-46</td> <td>"</td> <td>"</td> <td>V-675</td> <td>122</td> <td>1/2</td> <td>2900</td> <td>1\"/&gt;  <tr> <td>U-47</td> <td>"</td> <td>"</td> <td>V-675</td> <td>122</td> <td>1/2</td> <td>2900</td> <td>1\"/&gt;  <tr> <td>U-48</td> <td>"</td> <td>"</td> <td>V-675</td>
<td>122</td> <td>1/2</td> <td>2900</td> <td>1\"/&gt;  <tr> <td>U-49</td> <td>"</td> <td>"</td> <td>V-675</td> <td>122</td> <td>1/2</td> <td>2900</td> <td>1\"/&gt;  <tr> <td>U-50</td> <td>"</td> <td>"</td> <td>V-675</td> <td>122</td> <td>1/2</td> <td>2900</td> <td>1\"/&gt;  </td></tr></td></tr></td></tr></td></tr></td></tr></td></tr></td></tr></td></tr></td></tr></td></tr></td></tr></td></tr></td></tr></td></tr></td></tr></td></tr></td></tr></td></tr></td></tr></td></tr></td></tr></td></tr></td></tr></td></tr></td></tr></td></tr></td></tr></td></tr></td></tr></td></tr></td></tr></td></tr></td></tr></td></tr></td></tr></td></tr>   | U-15 | " | " | V-675 | 122 | 1/2 | 2900 | 1\"/> <tr> <td>U-16</td> <td>"</td> <td>"</td> <td>V-675</td> <td>122</td> <td>1/2</td> <td>2900</td> <td>1\"/&gt;  <tr> <td>U-17</td> <td>"</td> <td>"</td> <td>V-675</td> <td>122</td> <td>1/2</td> <td>2900</td> <td>1\"/&gt;  <tr> <td>U-18</td> <td>"</td> <td>"</td> <td>V-675</td> <td>122</td> <td>1/2</td> <td>2900</td> <td>1\"/&gt;  <tr> <td>U-19</td> <td>"</td> <td>"</td> <td>V-675</td> <td>122</td> <td>1/2</td> <td>2900</td> <td>1\"/&gt;  <tr> <td>U-20</td> <td>"</td> <td>"</td> <td>V-675</td> <td>122</td> <td>1/2</td> <td>2900</td> <td>1\"/&gt;  <tr> <td>U-21</td> <td>"</td> <td>"</td> <td>V-675</td> <td>122</td> <td>1/2</td> <td>2900</td> <td>1\"/&gt;  <tr> <td>U-22</td> <td>"</td> <td>"</td> <td>V-675</td> <td>122</td> <td>1/2</td> <td>2900</td> <td>1\"/&gt;  <tr> <td>U-23</td> <td>"</td> <td>"</td> <td>V-675</td> <td>122</td> <td>1/2</td> <td>2900</td> <td>1\"/&gt;  <tr> <td>U-24</td> <td>"</td> <td>"</td> <td>V-675</td> <td>122</td> <td>1/2</td> <td>2900</td> <td>1\"/&gt;  <tr> <td>U-25</td> <td>"</td> <td>"</td> <td>V-675</td> <td>122</td> <td>1/2</td> <td>2900</td> <td>1\"/&gt;  <tr> <td>U-26</td> <td>"</td> <td>"</td> <td>V-675</td> <td>122</td> <td>1/2</td> <td>2900</td> <td>1\"/&gt;  <tr> <td>U-27</td> <td>"</td> <td>"</td> <td>V-675</td> <td>122</td> <td>1/2</td> <td>2900</td> <td>1\"/&gt;  <tr> <td>U-28</td> <td>"</td> <td>"</td> <td>V-675</td> <td>122</td> <td>1/2</td> <td>2900</td> <td>1\"/&gt;  <tr> <td>U-29</td> <td>"</td> <td>"</td> <td>V-675</td> <td>122</td> <td>1/2</td> <td>2900</td> <td>1\"/&gt;  <tr> <td>U-30</td> <td>"</td> <td>"</td> <td>V-675</td> <td>122</td> <td>1/2</td> <td>2900</td> <td>1\"/&gt;  <tr> <td>U-31</td> <td>"</td> <td>"</td> <td>V-675</td> <td>122</td> <td>1/2</td> <td>2900</td> <td>1\"/&gt;  <tr> <td>U-32</td> <td>"</td> <td>"</td> <td>V-675</td> <td>122</td> <td>1/2</td> <td>2900</td> <td>1\"/&gt;  <tr> <td>U-33</td> <td>"</td> <td>"</td> <td>V-675</td> <td>122</td> <td>1/2</td> <td>2900</td> <td>1\"/&gt;  <tr> <td>U-34</td> <td>"</td> <td>"</td> <td>V-675</td> <td>122</td> <td>1/2</td> <td>2900</td> <td>1\"/&gt;  <tr> <td>U-35</td> <td>"</td> <td>"</td> <td>V-675</td> <td>122</td> <td>1/2</td> <td>2900</td> <td>1\"/&gt;  <tr> <td>U-36</td> <td>"</td> <td>"</td> <td>V-675</td> <td>122</td> <td>1/2</td> <td>2900</td> <td>1\"/&gt;  <tr> <td>U-37</td> <td>"</td> <td>"</td> <td>V-675</td> <td>122</td> <td>1/2</td> <td>2900</td> <td>1\"/&gt;  <tr> <td>U-38</td> <td>"</td> <td>"</td> <td>V-675</td> <td>122</td> <td>1/2</td> <td>2900</td> <td>1\"/&gt;  <tr> <td>U-39</td> <td>"</td> <td>"</td> <td>V-675</td> <td>122</td> <td>1/2</td> <td>2900</td> <td>1\"/&gt;  <tr> <td>U-40</td> <td>"</td> <td>"</td> <td>V-675</td> <td>122</td> <td>1/2</td> <td>2900</td> <td>1\"/&gt;  <tr> <td>U-41</td> <td>"</td> <td>"</td> <td>V-675</td> <td>122</td> <td>1/2</td> <td>2900</td> <td>1\"/&gt;  <tr> <td>U-42</td> <td>"</td> <td>"</td> <td>V-675</td> <td>122</td> <td>1/2</td> <td>2900</td> <td>1\"/&gt;  <tr> <td>U-43</td> <td>"</td> <td>"</td> <td>V-675</td> <td>122</td> <td>1/2</td> <td>2900</td> <td>1\"/&gt;  <tr> <td>U-44</td> <td>"</td> <td>"</td> <td>V-675</td> <td>122</td> <td>1/2</td> <td>2900</td> <td>1\"/&gt;  <tr> <td>U-45</td> <td>"</td> <td>"</td> <td>V-675</td> <td>122</td> <td>1/2</td> <td>2900</td> <td>1\"/&gt;  <tr> <td>U-46</td> <td>"</td> <td>"</td> <td>V-675</td> <td>122</td> <td>1/2</td> <td>2900</td> <td>1\"/&gt;  <tr> <td>U-47</td> <td>"</td> <td>"</td> <td>V-675</td> <td>122</td> <td>1/2</td> <td>2900</td> <td>1\"/&gt;  <tr> <td>U-48</td> <td>"</td> <td>"</td> <td>V-675</td> <td>122</td> <td>1/2</td> <td>2900</td> <td>1\"/&gt;  <tr> <td>U-49</td> <td>"</td> <td>"</td> <td>V-675</td> <td>122</td> <td>1/2</td> <td>2900</td> <td>1\"/&gt;  <tr> <td>U-50</td> <td>"</td> <td>"</td> <td>V-675</td> <td>122</td> <td>1/2</td> <td>2900</td> <td>1\"/&gt;  </td></tr></td></tr></td></tr></td></tr></td></tr></td></tr></td></tr></td></tr></td></tr></td></tr></td></tr></td></tr></td></tr></td></tr></td></tr></td></tr></td></tr></td></tr></td></tr></td></tr></td></tr></td></tr></td></tr></td></tr></td></tr></td></tr></td></tr></td></tr></td></tr></td></tr></td></tr></td></tr></td></tr></td></tr></td></tr>  | U-16 | " | " | V-675 | 122 | 1/2 | 2900 | 1\"/> <tr> <td>U-17</td> <td>"</td> <td>"</td> <td>V-675</td> <td>122</td> <td>1/2</td> <td>2900</td> <td>1\"/&gt;  <tr> <td>U-18</td> <td>"</td> <td>"</td> <td>V-675</td> <td>122</td> <td>1/2</td> <td>2900</td> <td>1\"/&gt;  <tr> <td>U-19</td> <td>"</td> <td>"</td> <td>V-675</td> <td>122</td> <td>1/2</td> <td>2900</td> <td>1\"/&gt;  <tr> <td>U-20</td> <td>"</td> <td>"</td> <td>V-675</td> <td>122</td> <td>1/2</td> <td>2900</td> <td>1\"/&gt;  <tr> <td>U-21</td> <td>"</td> <td>"</td> <td>V-675</td> <td>122</td> <td>1/2</td> <td>2900</td> <td>1\"/&gt;  <tr> <td>U-22</td> <td>"</td> <td>"</td> <td>V-675</td> <td>122</td> <td>1/2</td> <td>2900</td> <td>1\"/&gt;  <tr> <td>U-23</td> <td>"</td> <td>"</td> <td>V-675</td> <td>122</td> <td>1/2</td> <td>2900</td> <td>1\"/&gt;  <tr> <td>U-24</td> <td>"</td> <td>"</td> <td>V-675</td> <td>122</td> <td>1/2</td> <td>2900</td> <td>1\"/&gt;  <tr> <td>U-25</td> <td>"</td> <td>"</td> <td>V-675</td> <td>122</td> <td>1/2</td> <td>2900</td> <td>1\"/&gt;  <tr> <td>U-26</td> <td>"</td> <td>"</td> <td>V-675</td> <td>122</td> <td>1/2</td> <td>2900</td> <td>1\"/&gt;  <tr> <td>U-27</td> <td>"</td> <td>"</td> <td>V-675</td> <td>122</td> <td>1/2</td> <td>2900</td> <td>1\"/&gt;  <tr> <td>U-28</td> <td>"</td> <td>"</td> <td>V-675</td> <td>122</td> <td>1/2</td> <td>2900</td> <td>1\"/&gt;  <tr> <td>U-29</td> <td>"</td> <td>"</td> <td>V-675</td> <td>122</td> <td>1/2</td> <td>2900</td> <td>1\"/&gt;  <tr> <td>U-30</td> <td>"</td> <td>"</td> <td>V-675</td> <td>122</td> <td>1/2</td> <td>2900</td> <td>1\"/&gt;  <tr> <td>U-31</td> <td>"</td> <td>"</td> <td>V-675</td> <td>122</td> <td>1/2</td> <td>2900</td> <td>1\"/&gt;  <tr> <td>U-32</td> <td>"</td> <td>"</td> <td>V-675</td> <td>122</td> <td>1/2</td> <td>2900</td> <td>1\"/&gt;  <tr> <td>U-33</td> <td>"</td> <td>"</td> <td>V-675</td> <td>122</td> <td>1/2</td> <td>2900</td> <td>1\"/&gt;  <tr> <td>U-34</td> <td>"</td> <td>"</td> <td>V-675</td> <td>122</td> <td>1/2</td> <td>2900</td> <td>1\"/&gt;  <tr> <td>U-35</td> <td>"</td> <td>"</td> <td>V-675</td> <td>122</td> <td>1/2</td> <td>2900</td> <td>1\"/&gt;  <tr> <td>U-36</td> <td>"</td> <td>"</td> <td>V-675</td> <td>122</td> <td>1/2</td> <td>2900</td> <td>1\"/&gt;  <tr> <td>U-37</td> <td>"</td> <td>"</td> <td>V-675</td> <td>122</td> <td>1/2</td> <td>2900</td> <td>1\"/&gt;  <tr> <td>U-38</td> <td>"</td> <td>"</td> <td>V-675</td> <td>122</td> <td>1/2</td> <td>2900</td> <td>1\"/&gt;  <tr>
<td>U-39</td> <td>"</td> <td>"</td> <td>V-675</td> <td>122</td> <td>1/2</td> <td>2900</td> <td>1\"/&gt;  <tr> <td>U-40</td> <td>"</td> <td>"</td> <td>V-675</td> <td>122</td> <td>1/2</td> <td>2900</td> <td>1\"/&gt;  <tr> <td>U-41</td> <td>"</td> <td>"</td> <td>V-675</td> <td>122</td> <td>1/2</td> <td>2900</td> <td>1\"/&gt;  <tr> <td>U-42</td> <td>"</td> <td>"</td> <td>V-675</td> <td>122</td> <td>1/2</td> <td>2900</td> <td>1\"/&gt;  <tr> <td>U-43</td> <td>"</td> <td>"</td> <td>V-675</td> <td>122</td> <td>1/2</td> <td>2900</td> <td>1\"/&gt;  <tr> <td>U-44</td> <td>"</td> <td>"</td> <td>V-675</td> <td>122</td> <td>1/2</td> <td>2900</td> <td>1\"/&gt;  <tr> <td>U-45</td> <td>"</td> <td>"</td> <td>V-675</td> <td>122</td> <td>1/2</td> <td>2900</td> <td>1\"/&gt;  <tr> <td>U-46</td> <td>"</td> <td>"</td> <td>V-675</td> <td>122</td> <td>1/2</td> <td>2900</td> <td>1\"/&gt;  <tr> <td>U-47</td> <td>"</td> <td>"</td> <td>V-675</td> <td>122</td> <td>1/2</td> <td>2900</td> <td>1\"/&gt;  <tr> <td>U-48</td> <td>"</td> <td>"</td> <td>V-675</td> <td>122</td> <td>1/2</td> <td>2900</td> <td>1\"/&gt;  <tr> <td>U-49</td> <td>"</td> <td>"</td> <td>V-675</td> <td>122</td> <td>1/2</td> <td>2900</td> <td>1\"/&gt;  <tr> <td>U-50</td> <td>"</td> <td>"</td> <td>V-675</td> <td>122</td> <td>1/2</td> <td>2900</td> <td>1\"/&gt;  </td></tr></td></tr></td></tr></td></tr></td></tr></td></tr></td></tr></td></tr></td></tr></td></tr></td></tr></td></tr></td></tr></td></tr></td></tr></td></tr></td></tr></td></tr></td></tr></td></tr></td></tr></td></tr></td></tr></td></tr></td></tr></td></tr></td></tr></td></tr></td></tr></td></tr></td></tr></td></tr></td></tr></td></tr>   | U-17 | " | " | V-675 | 122 | 1/2 | 2900 | 1\"/> <tr> <td>U-18</td> <td>"</td> <td>"</td> <td>V-675</td> <td>122</td> <td>1/2</td> <td>2900</td> <td>1\"/&gt;  <tr> <td>U-19</td> <td>"</td> <td>"</td> <td>V-675</td> <td>122</td> <td>1/2</td> <td>2900</td> <td>1\"/&gt;  <tr> <td>U-20</td> <td>"</td> <td>"</td> <td>V-675</td> <td>122</td> <td>1/2</td> <td>2900</td> <td>1\"/&gt;  <tr> <td>U-21</td> <td>"</td> <td>"</td> <td>V-675</td> <td>122</td> <td>1/2</td> <td>2900</td> <td>1\"/&gt;  <tr> <td>U-22</td> <td>"</td> <td>"</td> <td>V-675</td> <td>122</td> <td>1/2</td> <td>2900</td> <td>1\"/&gt;  <tr> <td>U-23</td> <td>"</td> <td>"</td> <td>V-675</td> <td>122</td> <td>1/2</td> <td>2900</td> <td>1\"/&gt;  <tr> <td>U-24</td> <td>"</td> <td>"</td> <td>V-675</td> <td>122</td> <td>1/2</td> <td>2900</td> <td>1\"/&gt;  <tr> <td>U-25</td> <td>"</td> <td>"</td> <td>V-675</td> <td>122</td> <td>1/2</td> <td>2900</td> <td>1\"/&gt;  <tr> <td>U-26</td> <td>"</td> <td>"</td> <td>V-675</td> <td>122</td> <td>1/2</td> <td>2900</td> <td>1\"/&gt;  <tr> <td>U-27</td> <td>"</td> <td>"</td> <td>V-675</td> <td>122</td> <td>1/2</td> <td>2900</td> <td>1\"/&gt;  <tr> <td>U-28</td> <td>"</td> <td>"</td> <td>V-675</td> <td>122</td> <td>1/2</td> <td>2900</td> <td>1\"/&gt;  <tr> <td>U-29</td> <td>"</td> <td>"</td> <td>V-675</td> <td>122</td> <td>1/2</td> <td>2900</td> <td>1\"/&gt;  <tr> <td>U-30</td> <td>"</td> <td>"</td> <td>V-675</td> <td>122</td> <td>1/2</td> <td>2900</td> <td>1\"/&gt;  <tr> <td>U-31</td> <td>"</td> <td>"</td> <td>V-675</td> <td>122</td> <td>1/2</td> <td>2900</td> <td>1\"/&gt;  <tr> <td>U-32</td> <td>"</td> <td>"</td> <td>V-675</td> <td>122</td> <td>1/2</td> <td>2900</td> <td>1\"/&gt;  <tr> <td>U-33</td> <td>"</td> <td>"</td> <td>V-675</td> <td>122</td> <td>1/2</td> <td>2900</td> <td>1\"/&gt;  <tr> <td>U-34</td> <td>"</td> <td>"</td> <td>V-675</td> <td>122</td> <td>1/2</td> <td>2900</td> <td>1\"/&gt;  <tr> <td>U-35</td> <td>"</td> <td>"</td> <td>V-675</td> <td>122</td> <td>1/2</td> <td>2900</td> <td>1\"/&gt;  <tr> <td>U-36</td> <td>"</td> <td>"</td> <td>V-675</td> <td>122</td> <td>1/2</td> <td>2900</td> <td>1\"/&gt;  <tr> <td>U-37</td> <td>"</td> <td>"</td> <td>V-675</td> <td>122</td> <td>1/2</td> <td>2900</td> <td>1\"/&gt;  <tr> <td>U-38</td> <td>"</td> <td>"</td> <td>V-675</td> <td>122</td> <td>1/2</td> <td>2900</td> <td>1\"/&gt;  <tr> <td>U-39</td> <td>"</td> <td>"</td> <td>V-675</td> <td>122</td> <td>1/2</td> <td>2900</td> <td>1\"/&gt;  <tr> <td>U-40</td> <td>"</td> <td>"</td> <td>V-675</td> <td>122</td> <td>1/2</td> <td>2900</td> <td>1\"/&gt;  <tr> <td>U-41</td> <td>"</td> <td>"</td> <td>V-675</td> <td>122</td> <td>1/2</td> <td>2900</td> <td>1\"/&gt;  <tr> <td>U-42</td> <td>"</td> <td>"</td> <td>V-675</td> <td>122</td> <td>1/2</td> <td>2900</td> <td>1\"/&gt;  <tr> <td>U-43</td> <td>"</td> <td>"</td> <td>V-675</td> <td>122</td> <td>1/2</td> <td>2900</td> <td>1\"/&gt;  <tr> <td>U-44</td> <td>"</td> <td>"</td> <td>V-675</td> <td>122</td> <td>1/2</td> <td>2900</td> <td>1\"/&gt;  <tr> <td>U-45</td> <td>"</td> <td>"</td> <td>V-675</td> <td>122</td> <td>1/2</td> <td>2900</td> <td>1\"/&gt;  <tr> <td>U-46</td> <td>"</td> <td>"</td> <td>V-675</td> <td>122</td> <td>1/2</td> <td>2900</td> <td>1\"/&gt;  <tr> <td>U-47</td> <td>"</td> <td>"</td> <td>V-675</td> <td>122</td> <td>1/2</td> <td>2900</td> <td>1\"/&gt;  <tr> <td>U-48</td> <td>"</td> <td>"</td> <td>V-675</td> <td>122</td> <td>1/2</td> <td>2900</td> <td>1\"/&gt;  <tr> <td>U-49</td> <td>"</td> <td>"</td> <td>V-675</td> <td>122</td> <td>1/2</td> <td>2900</td> <td>1\"/&gt;  <tr> <td>U-50</td> <td>"</td> <td>"</td> <td>V-675</td> <td>122</td> <td>1/2</td> <td>2900</td> <td>1\"/&gt;  </td></tr></td></tr></td></tr></td></tr></td></tr></td></tr></td></tr></td></tr></td></tr></td></tr></td></tr></td></tr></td></tr></td></tr></td></tr></td></tr></td></tr></td></tr></td></tr></td></tr></td></tr></td></tr></td></tr></td></tr></td></tr></td></tr></td></tr></td></tr></td></tr></td></tr></td></tr></td></tr></td></tr>  | U-18 | " | " | V-675 | 122 | 1/2 | 2900 | 1\"/> <tr> <td>U-19</td> <td>"</td> <td>"</td> <td>V-675</td> <td>122</td> <td>1/2</td> <td>2900</td> <td>1\"/&gt;  <tr> <td>U-20</td> <td>"</td> <td>"</td> <td>V-675</td> <td>122</td> <td>1/2</td> <td>2900</td> <td>1\"/&gt;  <tr> <td>U-21</td> <td>"</td> <td>"</td> <td>V-675</td> <td>122</td> <td>1/2</td> <td>2900</td> <td>1\"/&gt;  <tr> <td>U-22</td> <td>"</td> <td>"</td> <td>V-675</td> <td>122</td> <td>1/2</td> <td>2900</td> <td>1\"/&gt;  <tr> <td>U-23</td> <td>"</td> <td>"</td> <td>V-675</td> <td>122</td> <td>1/2</td> <td>2900</td> <td>1\"/&gt;  <tr> <td>U-24</td> <td>"</td> <td>"</td> <td>V-675</td> <td>122</td> <td>1/2</td> <td>2900</td> <td>1\"/&gt;  <tr> <td>U-25</td> <td>"</td> <td>"</td> <td>V-675</td> <td>122</td> <td>1/2</td> <td>2900</td> <td>1\"/&gt;  <tr> <td>U-26</td> <td>"</td> <td>"</td> <td>V-675</td> <td>122</td> <td>1/2</td> <td>2900</td> <td>1\"/&gt;  <tr> <td>U-27</td> <td>"</td> <td>"</td> <td>V-675</td> <td>122</td> <td>1/2</td> <td>2900</td> <td>1\"/&gt;  <tr> <td>U-28</td> <td>"</td> <td>"</td> <td>V-675</td> <td>122</td> <td>1/2</td> <td>2900</td> <td>1\"/&gt;  <tr> <td>U-29</td> <td>"</td> <td>"</td> <td>V-675</td> <td>122</td> <td>1/2</td> <td>2900</td> <td>1\"/&gt;  <tr> <td>U-30</td> <td>"</td> <td>"</td> <td>V-675</td> <td>122</td> <td>1/2</td> <td>2900</td> <td>1\"/&gt;  <tr> <td>U-31</td> <td>"</td> <td>"</td> <td>V-675</td> <td>122</td> <td>1/2</td> <td>2900</td> <td>1\"/&gt;  <tr> <td>U-32</td> <td>"</td> <td>"</td> <td>V-675</td> <td>122</td> <td>1/2</td> <td>2900</td> <td>1\"/&gt;  <tr> <td>U-33</td> <td>"</td> <td>"</td> <td>V-675</td> <td>122</td> <td>1/2</td> <td>2900</td> <td>1\"/&gt; 
<tr> <td>U-34</td> <td>"</td> <td>"</td> <td>V-675</td> <td>122</td> <td>1/2</td> <td>2900</td> <td>1\"/&gt;  <tr> <td>U-35</td> <td>"</td> <td>"</td> <td>V-675</td> <td>122</td> <td>1/2</td> <td>2900</td> <td>1\"/&gt;  <tr> <td>U-36</td> <td>"</td> <td>"</td> <td>V-675</td> <td>122</td> <td>1/2</td> <td>2900</td> <td>1\"/&gt;  <tr> <td>U-37</td> <td>"</td> <td>"</td> <td>V-675</td> <td>122</td> <td>1/2</td> <td>2900</td> <td>1\"/&gt;  <tr> <td>U-38</td> <td>"</td> <td>"</td> <td>V-675</td> <td>122</td> <td>1/2</td> <td>2900</td> <td>1\"/&gt;  <tr> <td>U-39</td> <td>"</td> <td>"</td> <td>V-675</td> <td>122</td> <td>1/2</td> <td>2900</td> <td>1\"/&gt;  <tr> <td>U-40</td> <td>"</td> <td>"</td> <td>V-675</td> <td>122</td> <td>1/2</td> <td>2900</td> <td>1\"/&gt;  <tr> <td>U-41</td> <td>"</td> <td>"</td> <td>V-675</td> <td>122</td> <td>1/2</td> <td>2900</td> <td>1\"/&gt;  <tr> <td>U-42</td> <td>"</td> <td>"</td> <td>V-675</td> <td>122</td> <td>1/2</td> <td>2900</td> <td>1\"/&gt;  <tr> <td>U-43</td> <td>"</td> <td>"</td> <td>V-675</td> <td>122</td> <td>1/2</td> <td>2900</td> <td>1\"/&gt;  <tr> <td>U-44</td> <td>"</td> <td>"</td> <td>V-675</td> <td>122</td> <td>1/2</td> <td>2900</td> <td>1\"/&gt;  <tr> <td>U-45</td> <td>"</td> <td>"</td> <td>V-675</td> <td>122</td> <td>1/2</td> <td>2900</td> <td>1\"/&gt;  <tr> <td>U-46</td> <td>"</td> <td>"</td> <td>V-675</td> <td>122</td> <td>1/2</td> <td>2900</td> <td>1\"/&gt;  <tr> <td>U-47</td> <td>"</td> <td>"</td> <td>V-675</td> <td>122</td> <td>1/2</td> <td>2900</td> <td>1\"/&gt;  <tr> <td>U-48</td> <td>"</td> <td>"</td> <td>V-675</td> <td>122</td> <td>1/2</td> <td>2900</td> <td>1\"/&gt;  <tr> <td>U-49</td> <td>"</td> <td>"</td> <td>V-675</td> <td>122</td> <td>1/2</td> <td>2900</td> <td>1\"/&gt;  <tr> <td>U-50</td> <td>"</td> <td>"</td> <td>V-675</td> <td>122</td> <td>1/2</td> <td>2900</td> <td>1\"/&gt;  </td></tr></td></tr></td></tr></td></tr></td></tr></td></tr></td></tr></td></tr></td></tr></td></tr></td></tr></td></tr></td></tr></td></tr></td></tr></td></tr></td></tr></td></tr></td></tr></td></tr></td></tr></td></tr></td></tr></td></tr></td></tr></td></tr></td></tr></td></tr></td></tr></td></tr></td></tr></td></tr>   | U-19 | " | " | V-675 | 122 | 1/2 | 2900 | 1\"/> <tr> <td>U-20</td> <td>"</td> <td>"</td> <td>V-675</td> <td>122</td> <td>1/2</td> <td>2900</td> <td>1\"/&gt;  <tr> <td>U-21</td> <td>"</td> <td>"</td> <td>V-675</td> <td>122</td> <td>1/2</td> <td>2900</td> <td>1\"/&gt;  <tr> <td>U-22</td> <td>"</td> <td>"</td> <td>V-675</td> <td>122</td> <td>1/2</td> <td>2900</td> <td>1\"/&gt;  <tr> <td>U-23</td> <td>"</td> <td>"</td> <td>V-675</td> <td>122</td> <td>1/2</td> <td>2900</td> <td>1\"/&gt;  <tr> <td>U-24</td> <td>"</td> <td>"</td> <td>V-675</td> <td>122</td> <td>1/2</td> <td>2900</td> <td>1\"/&gt;  <tr> <td>U-25</td> <td>"</td> <td>"</td> <td>V-675</td> <td>122</td> <td>1/2</td> <td>2900</td> <td>1\"/&gt;  <tr> <td>U-26</td> <td>"</td> <td>"</td> <td>V-675</td> <td>122</td> <td>1/2</td> <td>2900</td> <td>1\"/&gt;  <tr> <td>U-27</td> <td>"</td> <td>"</td> <td>V-675</td> <td>122</td> <td>1/2</td> <td>2900</td> <td>1\"/&gt;  <tr> <td>U-28</td> <td>"</td> <td>"</td> <td>V-675</td> <td>122</td> <td>1/2</td> <td>2900</td> <td>1\"/&gt;  <tr> <td>U-29</td> <td>"</td> <td>"</td> <td>V-675</td> <td>122</td> <td>1/2</td> <td>2900</td> <td>1\"/&gt;  <tr> <td>U-30</td> <td>"</td> <td>"</td> <td>V-675</td> <td>122</td> <td>1/2</td> <td>2900</td> <td>1\"/&gt;  <tr> <td>U-31</td> <td>"</td> <td>"</td> <td>V-675</td> <td>122</td> <td>1/2</td> <td>2900</td> <td>1\"/&gt;  <tr> <td>U-32</td> <td>"</td> <td>"</td> <td>V-675</td> <td>122</td> <td>1/2</td> <td>2900</td> <td>1\"/&gt;  <tr> <td>U-33</td> <td>"</td> <td>"</td> <td>V-675</td> <td>122</td> <td>1/2</td> <td>2900</td> <td>1\"/&gt;  <tr> <td>U-34</td> <td>"</td> <td>"</td> <td>V-675</td> <td>122</td> <td>1/2</td> <td>2900</td> <td>1\"/&gt;  <tr> <td>U-35</td> <td>"</td> <td>"</td> <td>V-675</td> <td>122</td> <td>1/2</td> <td>2900</td> <td>1\"/&gt;  <tr> <td>U-36</td> <td>"</td> <td>"</td> <td>V-675</td> <td>122</td> <td>1/2</td> <td>2900</td> <td>1\"/&gt;  <tr> <td>U-37</td> <td>"</td> <td>"</td> <td>V-675</td> <td>122</td> <td>1/2</td> <td>2900</td> <td>1\"/&gt;  <tr> <td>U-38</td> <td>"</td> <td>"</td> <td>V-675</td> <td>122</td> <td>1/2</td> <td>2900</td> <td>1\"/&gt;  <tr> <td>U-39</td> <td>"</td> <td>"</td> <td>V-675</td> <td>122</td> <td>1/2</td> <td>2900</td> <td>1\"/&gt;  <tr> <td>U-40</td> <td>"</td> <td>"</td> <td>V-675</td> <td>122</td> <td>1/2</td> <td>2900</td> <td>1\"/&gt;  <tr> <td>U-41</td> <td>"</td> <td>"</td> <td>V-675</td> <td>122</td> <td>1/2</td> <td>2900</td> <td>1\"/&gt;  <tr> <td>U-42</td> <td>"</td> <td>"</td> <td>V-675</td> <td>122</td> <td>1/2</td> <td>2900</td> <td>1\"/&gt;  <tr> <td>U-43</td> <td>"</td> <td>"</td> <td>V-675</td> <td>122</td> <td>1/2</td> <td>2900</td> <td>1\"/&gt;  <tr> <td>U-44</td> <td>"</td> <td>"</td> <td>V-675</td> <td>122</td> <td>1/2</td> <td>2900</td> <td>1\"/&gt;  <tr> <td>U-45</td> <td>"</td> <td>"</td> <td>V-675</td> <td>122</td> <td>1/2</td> <td>2900</td> <td>1\"/&gt;  <tr> <td>U-46</td> <td>"</td> <td>"</td> <td>V-675</td> <td>122</td> <td>1/2</td> <td>2900</td> <td>1\"/&gt;  <tr> <td>U-47</td> <td>"</td> <td>"</td> <td>V-675</td> <td>122</td> <td>1/2</td> <td>2900</td> <td>1\"/&gt;  <tr> <td>U-48</td> <td>"</td> <td>"</td> <td>V-675</td> <td>122</td> <td>1/2</td> <td>2900</td> <td>1\"/&gt;  <tr> <td>U-49</td> <td>"</td> <td>"</td> <td>V-675</td> <td>122</td> <td>1/2</td> <td>2900</td> <td>1\"/&gt;  <tr> <td>U-50</td> <td>"</td> <td>"</td> <td>V-675</td> <td>122</td> <td>1/2</td> <td>2900</td> <td>1\"/&gt;  </td></tr></td></tr></td></tr></td></tr></td></tr></td></tr></td></tr></td></tr></td></tr></td></tr></td></tr></td></tr></td></tr></td></tr></td></tr></td></tr></td></tr></td></tr></td></tr></td></tr></td></tr></td></tr></td></tr></td></tr></td></tr></td></tr></td></tr></td></tr></td></tr></td></tr></td></tr>  | U-20 | " | " | V-675 | 122 | 1/2 | 2900 | 1\"/> <tr> <td>U-21</td> <td>"</td> <td>"</td> <td>V-675</td> <td>122</td> <td>1/2</td> <td>2900</td> <td>1\"/&gt;  <tr> <td>U-22</td> <td>"</td> <td>"</td> <td>V-675</td> <td>122</td> <td>1/2</td> <td>2900</td> <td>1\"/&gt;  <tr> <td>U-23</td> <td>"</td> <td>"</td> <td>V-675</td> <td>122</td> <td>1/2</td> <td>2900</td> <td>1\"/&gt;  <tr> <td>U-24</td> <td>"</td> <td>"</td> <td>V-675</td> <td>122</td> <td>1/2</td> <td>2900</td> <td>1\"/&gt;  <tr> <td>U-25</td> <td>"</td> <td>"</td> <td>V-675</td> <td>122</td> <td>1/2</td> <td>2900</td> <td>1\"/&gt;  <tr> <td>U-26</td> <td>"</td> <td>"</td> <td>V-675</td> <td>122</td> <td>1/2</td> <td>2900</td> <td>1\"/&gt;  <tr> <td>U-27</td> <td>"</td> <td>"</td> <td>V-675</td> <td>122</td> <td>1/2</td> <td>2900</td> <td>1\"/&gt;  <tr> <td>U-28</td> <td>"</td> <td>"</td> <td>V-675</td> <td>122</td> <td>1/2</td> <td>2900</td> <td>1\"/&gt;  <tr> <td>U-29</td> <td>"</td> <td>"</td> <td>V-675</td> <td>122</td> <td>1/2</td> <td>2900</td> <td>1\"/&gt;  <tr> <td>U-30</td> <td>"</td> <td>"</td> <td>V-675</td> <td>122</td> <td>1/2</td> <td>2900</td> <td>1\"/&gt;  <tr> <td>U-31</td> <td>"</td> <td>"</td> <td>V-675</td> <td>122</td> <td>1/2</td> <td>2900</td> <td>1\"/&gt;  <tr> <td>U-32</td> <td>"</td> <td>"</td> <td>V-675</td> <td>122</td> <td>1/2</td> <td>2900</td> <td>1\"/&gt;  <tr> <td>U-33</td> <td>"</td>
<td>"</td> <td>V-675</td> <td>122</td> <td>1/2</td> <td>2900</td> <td>1\"/&gt;  <tr> <td>U-34</td> <td>"</td> <td>"</td> <td>V-675</td> <td>122</td> <td>1/2</td> <td>2900</td> <td>1\"/&gt;  <tr> <td>U-35</td> <td>"</td> <td>"</td> <td>V-675</td> <td>122</td> <td>1/2</td> <td>2900</td> <td>1\"/&gt;  <tr> <td>U-36</td> <td>"</td> <td>"</td> <td>V-675</td> <td>122</td> <td>1/2</td> <td>2900</td> <td>1\"/&gt;  <tr> <td>U-37</td> <td>"</td> <td>"</td> <td>V-675</td> <td>122</td> <td>1/2</td> <td>2900</td> <td>1\"/&gt;  <tr> <td>U-38</td> <td>"</td> <td>"</td> <td>V-675</td> <td>122</td> <td>1/2</td> <td>2900</td> <td>1\"/&gt;  <tr> <td>U-39</td> <td>"</td> <td>"</td> <td>V-675</td> <td>122</td> <td>1/2</td> <td>2900</td> <td>1\"/&gt;  <tr> <td>U-40</td> <td>"</td> <td>"</td> <td>V-675</td> <td>122</td> <td>1/2</td> <td>2900</td> <td>1\"/&gt;  <tr> <td>U-41</td> <td>"</td> <td>"</td> <td>V-675</td> <td>122</td> <td>1/2</td> <td>2900</td> <td>1\"/&gt;  <tr> <td>U-42</td> <td>"</td> <td>"</td> <td>V-675</td> <td>122</td> <td>1/2</td> <td>2900</td> <td>1\"/&gt;  <tr> <td>U-43</td> <td>"</td> <td>"</td> <td>V-675</td> <td>122</td> <td>1/2</td> <td>2900</td> <td>1\"/&gt;  <tr> <td>U-44</td> <td>"</td> <td>"</td> <td>V-675</td> <td>122</td> <td>1/2</td> <td>2900</td> <td>1\"/&gt;  <tr> <td>U-45</td> <td>"</td> <td>"</td> <td>V-675</td> <td>122</td> <td>1/2</td> <td>2900</td> <td>1\"/&gt;  <tr> <td>U-46</td> <td>"</td> <td>"</td> <td>V-675</td> <td>122</td> <td>1/2</td> <td>2900</td> <td>1\"/&gt;  <tr> <td>U-47</td> <td>"</td> <td>"</td> <td>V-675</td> <td>122</td> <td>1/2</td> <td>2900</td> <td>1\"/&gt;  <tr> <td>U-48</td> <td>"</td> <td>"</td> <td>V-675</td> <td>122</td> <td>1/2</td> <td>2900</td> <td>1\"/&gt;  <tr> <td>U-49</td> <td>"</td> <td>"</td> <td>V-675</td> <td>122</td> <td>1/2</td> <td>2900</td> <td>1\"/&gt;  <tr> <td>U-50</td> <td>"</td> <td>"</td> <td>V-675</td> <td>122</td> <td>1/2</td> <td>2900</td> <td>1\"/&gt;  </td></tr></td></tr></td></tr></td></tr></td></tr></td></tr></td></tr></td></tr></td></tr></td></tr></td></tr></td></tr></td></tr></td></tr></td></tr></td></tr></td></tr></td></tr></td></tr></td></tr></td></tr></td></tr></td></tr></td></tr></td></tr></td></tr></td></tr></td></tr></td></tr></td></tr>   | U-21 | " | " | V-675 | 122 | 1/2 | 2900 | 1\"/> <tr> <td>U-22</td> <td>"</td> <td>"</td> <td>V-675</td> <td>122</td> <td>1/2</td> <td>2900</td> <td>1\"/&gt;  <tr> <td>U-23</td> <td>"</td> <td>"</td> <td>V-675</td> <td>122</td> <td>1/2</td> <td>2900</td> <td>1\"/&gt;  <tr> <td>U-24</td> <td>"</td> <td>"</td> <td>V-675</td> <td>122</td> <td>1/2</td> <td>2900</td> <td>1\"/&gt;  <tr> <td>U-25</td> <td>"</td> <td>"</td> <td>V-675</td> <td>122</td> <td>1/2</td> <td>2900</td> <td>1\"/&gt;  <tr> <td>U-26</td> <td>"</td> <td>"</td> <td>V-675</td> <td>122</td> <td>1/2</td> <td>2900</td> <td>1\"/&gt;  <tr> <td>U-27</td> <td>"</td> <td>"</td> <td>V-675</td> <td>122</td> <td>1/2</td> <td>2900</td> <td>1\"/&gt;  <tr> <td>U-28</td> <td>"</td> <td>"</td> <td>V-675</td> <td>122</td> <td>1/2</td> <td>2900</td> <td>1\"/&gt;  <tr> <td>U-29</td> <td>"</td> <td>"</td> <td>V-675</td> <td>122</td> <td>1/2</td> <td>2900</td> <td>1\"/&gt;  <tr> <td>U-30</td> <td>"</td> <td>"</td> <td>V-675</td> <td>122</td> <td>1/2</td> <td>2900</td> <td>1\"/&gt;  <tr> <td>U-31</td> <td>"</td> <td>"</td> <td>V-675</td> <td>122</td> <td>1/2</td> <td>2900</td> <td>1\"/&gt;  <tr> <td>U-32</td> <td>"</td> <td>"</td> <td>V-675</td> <td>122</td> <td>1/2</td> <td>2900</td> <td>1\"/&gt;  <tr> <td>U-33</td> <td>"</td> <td>"</td> <td>V-675</td> <td>122</td> <td>1/2</td> <td>2900</td> <td>1\"/&gt;  <tr> <td>U-34</td> <td>"</td> <td>"</td> <td>V-675</td> <td>122</td> <td>1/2</td> <td>2900</td> <td>1\"/&gt;  <tr> <td>U-35</td> <td>"</td> <td>"</td> <td>V-675</td> <td>122</td> <td>1/2</td> <td>2900</td> <td>1\"/&gt;  <tr> <td>U-36</td> <td>"</td> <td>"</td> <td>V-675</td> <td>122</td> <td>1/2</td> <td>2900</td> <td>1\"/&gt;  <tr> <td>U-37</td> <td>"</td> <td>"</td> <td>V-675</td> <td>122</td> <td>1/2</td> <td>2900</td> <td>1\"/&gt;  <tr> <td>U-38</td> <td>"</td> <td>"</td> <td>V-675</td> <td>122</td> <td>1/2</td> <td>2900</td> <td>1\"/&gt;  <tr> <td>U-39</td> <td>"</td> <td>"</td> <td>V-675</td> <td>122</td> <td>1/2</td> <td>2900</td> <td>1\"/&gt;  <tr> <td>U-40</td> <td>"</td> <td>"</td> <td>V-675</td> <td>122</td> <td>1/2</td> <td>2900</td> <td>1\"/&gt;  <tr> <td>U-41</td> <td>"</td> <td>"</td> <td>V-675</td> <td>122</td> <td>1/2</td> <td>2900</td> <td>1\"/&gt;  <tr> <td>U-42</td> <td>"</td> <td>"</td> <td>V-675</td> <td>122</td> <td>1/2</td> <td>2900</td> <td>1\"/&gt;  <tr> <td>U-43</td> <td>"</td> <td>"</td> <td>V-675</td> <td>122</td> <td>1/2</td> <td>2900</td> <td>1\"/&gt;  <tr> <td>U-44</td> <td>"</td> <td>"</td> <td>V-675</td> <td>122</td> <td>1/2</td> <td>2900</td> <td>1\"/&gt;  <tr> <td>U-45</td> <td>"</td> <td>"</td> <td>V-675</td> <td>122</td> <td>1/2</td> <td>2900</td> <td>1\"/&gt;  <tr> <td>U-46</td> <td>"</td> <td>"</td> <td>V-675</td> <td>122</td> <td>1/2</td> <td>2900</td> <td>1\"/&gt;  <tr> <td>U-47</td> <td>"</td> <td>"</td> <td>V-675</td> <td>122</td> <td>1/2</td> <td>2900</td> <td>1\"/&gt;  <tr> <td>U-48</td> <td>"</td> <td>"</td> <td>V-675</td> <td>122</td> <td>1/2</td> <td>2900</td> <td>1\"/&gt;  <tr> <td>U-49</td> <td>"</td> <td>"</td> <td>V-675</td> <td>122</td> <td>1/2</td> <td>2900</td> <td>1\"/&gt;  <tr> <td>U-50</td> <td>"</td> <td>"</td> <td>V-675</td> <td>122</td> <td>1/2</td> <td>2900</td> <td>1\"/&gt;  </td></tr></td></tr></td></tr></td></tr></td></tr></td></tr></td></tr></td></tr></td></tr></td></tr></td></tr></td></tr></td></tr></td></tr></td></tr></td></tr></td></tr></td></tr></td></tr></td></tr></td></tr></td></tr></td></tr></td></tr></td></tr></td></tr></td></tr></td></tr></td></tr>   | U-22 | " | " | V-675 | 122 | 1/2 | 2900 | 1\"/> <tr> <td>U-23</td> <td>"</td> <td>"</td> <td>V-675</td> <td>122</td> <td>1/2</td> <td>2900</td> <td>1\"/&gt;  <tr> <td>U-24</td> <td>"</td> <td>"</td> <td>V-675</td> <td>122</td> <td>1/2</td> <td>2900</td> <td>1\"/&gt;  <tr> <td>U-25</td> <td>"</td> <td>"</td> <td>V-675</td> <td>122</td> <td>1/2</td> <td>2900</td> <td>1\"/&gt;  <tr> <td>U-26</td> <td>"</td> <td>"</td> <td>V-675</td> <td>122</td> <td>1/2</td> <td>2900</td> <td>1\"/&gt;  <tr> <td>U-27</td> <td>"</td> <td>"</td> <td>V-675</td> <td>122</td> <td>1/2</td> <td>2900</td> <td>1\"/&gt;  <tr> <td>U-28</td> <td>"</td> <td>"</td> <td>V-675</td> <td>122</td> <td>1/2</td> <td>2900</td> <td>1\"/&gt;  <tr> <td>U-29</td> <td>"</td> <td>"</td> <td>V-675</td> <td>122</td> <td>1/2</td> <td>2900</td> <td>1\"/&gt;  <tr> <td>U-30</td> <td>"</td> <td>"</td> <td>V-675</td> <td>122</td> <td>1/2</td> <td>2900</td> <td>1\"/&gt;  <tr> <td>U-31</td> <td>"</td> <td>"</td> <td>V-675</td> <td>122</td> <td>1/2</td> <td>2900</td> <td>1\"/&gt;  <tr> <td>U-32</td> <td>"</td> <td>"</td> <td>V-675</td> <td>122</td> <td>1/2</td> <td>2900</td> <td>1\"/&gt;  <tr> <td>U-33</td> <td>"</td> <td>"</td> <td>V-675</td> <td>122</td> <td>1/2</td> <td>2900</td> <td>1\"/&gt;  <tr> <td>U-34</td> <td>"</td> <td>"</td> <td>V-675</td> <td>122</td> <td>1/2</td> <td>2900</td> <td>1\"/&gt;  <tr> <td>U-35</td> <td>"</td> <td>"</td> <td>V-675</td> <td>122</td> <td>1/2</td> <td>2900</td> <td>1\"/&gt;  <tr> <td>U-36</td> <td>"</td> <td>"</td> <td>V-675</td> <td>122</td> <td>1/2</td> <td>2900</td>
<td>1\"/&gt;  <tr> <td>U-37</td> <td>"</td> <td>"</td> <td>V-675</td> <td>122</td> <td>1/2</td> <td>2900</td> <td>1\"/&gt;  <tr> <td>U-38</td> <td>"</td> <td>"</td> <td>V-675</td> <td>122</td> <td>1/2</td> <td>2900</td> <td>1\"/&gt;  <tr> <td>U-39</td> <td>"</td> <td>"</td> <td>V-675</td> <td>122</td> <td>1/2</td> <td>2900</td> <td>1\"/&gt;  <tr> <td>U-40</td> <td>"</td> <td>"</td> <td>V-675</td> <td>122</td> <td>1/2</td> <td>2900</td> <td>1\"/&gt;  <tr> <td>U-41</td> <td>"</td> <td>"</td> <td>V-675</td> <td>122</td> <td>1/2</td> <td>2900</td> <td>1\"/&gt;  <tr> <td>U-42</td> <td>"</td> <td>"</td> <td>V-675</td> <td>122</td> <td>1/2</td> <td>2900</td> <td>1\"/&gt;  <tr> <td>U-43</td> <td>"</td> <td>"</td> <td>V-675</td> <td>122</td> <td>1/2</td> <td>2900</td> <td>1\"/&gt;  <tr> <td>U-44</td> <td>"</td> <td>"</td> <td>V-675</td> <td>122</td> <td>1/2</td> <td>2900</td> <td>1\"/&gt;  <tr> <td>U-45</td> <td>"</td> <td>"</td> <td>V-675</td> <td>122</td> <td>1/2</td> <td>2900</td> <td>1\"/&gt;  <tr> <td>U-46</td> <td>"</td> <td>"</td> <td>V-675</td> <td>122</td> <td>1/2</td> <td>2900</td> <td>1\"/&gt;  <tr> <td>U-47</td> <td>"</td> <td>"</td> <td>V-675</td> <td>122</td> <td>1/2</td> <td>2900</td> <td>1\"/&gt;  <tr> <td>U-48</td> <td>"</td> <td>"</td> <td>V-675</td> <td>122</td> <td>1/2</td> <td>2900</td> <td>1\"/&gt;  <tr> <td>U-49</td> <td>"</td> <td>"</td> <td>V-675</td> <td>122</td> <td>1/2</td> <td>2900</td> <td>1\"/&gt;  <tr> <td>U-50</td> <td>"</td> <td>"</td> <td>V-675</td> <td>122</td> <td>1/2</td> <td>2900</td> <td>1\"/&gt;  </td></tr></td></tr></td></tr></td></tr></td></tr></td></tr></td></tr></td></tr></td></tr></td></tr></td></tr></td></tr></td></tr></td></tr></td></tr></td></tr></td></tr></td></tr></td></tr></td></tr></td></tr></td></tr></td></tr></td></tr></td></tr></td></tr></td></tr></td></tr>   | U-23 | " | " | V-675 | 122 | 1/2 | 2900 | 1\"/> <tr> <td>U-24</td> <td>"</td> <td>"</td> <td>V-675</td> <td>122</td> <td>1/2</td> <td>2900</td> <td>1\"/&gt;  <tr> <td>U-25</td> <td>"</td> <td>"</td> <td>V-675</td> <td>122</td> <td>1/2</td> <td>2900</td> <td>1\"/&gt;  <tr> <td>U-26</td> <td>"</td> <td>"</td> <td>V-675</td> <td>122</td> <td>1/2</td> <td>2900</td> <td>1\"/&gt;  <tr> <td>U-27</td> <td>"</td> <td>"</td> <td>V-675</td> <td>122</td> <td>1/2</td> <td>2900</td> <td>1\"/&gt;  <tr> <td>U-28</td> <td>"</td> <td>"</td> <td>V-675</td> <td>122</td> <td>1/2</td> <td>2900</td> <td>1\"/&gt;  <tr> <td>U-29</td> <td>"</td> <td>"</td> <td>V-675</td> <td>122</td> <td>1/2</td> <td>2900</td> <td>1\"/&gt;  <tr> <td>U-30</td> <td>"</td> <td>"</td> <td>V-675</td> <td>122</td> <td>1/2</td> <td>2900</td> <td>1\"/&gt;  <tr> <td>U-31</td> <td>"</td> <td>"</td> <td>V-675</td> <td>122</td> <td>1/2</td> <td>2900</td> <td>1\"/&gt;  <tr> <td>U-32</td> <td>"</td> <td>"</td> <td>V-675</td> <td>122</td> <td>1/2</td> <td>2900</td> <td>1\"/&gt;  <tr> <td>U-33</td> <td>"</td> <td>"</td> <td>V-675</td> <td>122</td> <td>1/2</td> <td>2900</td> <td>1\"/&gt;  <tr> <td>U-34</td> <td>"</td> <td>"</td> <td>V-675</td> <td>122</td> <td>1/2</td> <td>2900</td> <td>1\"/&gt;  <tr> <td>U-35</td> <td>"</td> <td>"</td> <td>V-675</td> <td>122</td> <td>1/2</td> <td>2900</td> <td>1\"/&gt;  <tr> <td>U-36</td> <td>"</td> <td>"</td> <td>V-675</td> <td>122</td> <td>1/2</td> <td>2900</td> <td>1\"/&gt;  <tr> <td>U-37</td> <td>"</td> <td>"</td> <td>V-675</td> <td>122</td> <td>1/2</td> <td>2900</td> <td>1\"/&gt;  <tr> <td>U-38</td> <td>"</td> <td>"</td> <td>V-675</td> <td>122</td> <td>1/2</td> <td>2900</td> <td>1\"/&gt;  <tr> <td>U-39</td> <td>"</td> <td>"</td> <td>V-675</td> <td>122</td> <td>1/2</td> <td>2900</td> <td>1\"/&gt;  <tr> <td>U-40</td> <td>"</td> <td>"</td> <td>V-675</td> <td>122</td> <td>1/2</td> <td>2900</td> <td>1\"/&gt;  <tr> <td>U-41</td> <td>"</td> <td>"</td> <td>V-675</td> <td>122</td> <td>1/2</td> <td>2900</td> <td>1\"/&gt;  <tr> <td>U-42</td> <td>"</td> <td>"</td> <td>V-675</td> <td>122</td> <td>1/2</td> <td>2900</td> <td>1\"/&gt;  <tr> <td>U-43</td> <td>"</td> <td>"</td> <td>V-675</td> <td>122</td> <td>1/2</td> <td>2900</td> <td>1\"/&gt;  <tr> <td>U-44</td> <td>"</td> <td>"</td> <td>V-675</td> <td>122</td> <td>1/2</td> <td>2900</td> <td>1\"/&gt;  <tr> <td>U-45</td> <td>"</td> <td>"</td> <td>V-675</td> <td>122</td> <td>1/2</td> <td>2900</td> <td>1\"/&gt;  <tr> <td>U-46</td> <td>"</td> <td>"</td> <td>V-675</td> <td>122</td> <td>1/2</td> <td>2900</td> <td>1\"/&gt;  <tr> <td>U-47</td> <td>"</td> <td>"</td> <td>V-675</td> <td>122</td> <td>1/2</td> <td>2900</td> <td>1\"/&gt;  <tr> <td>U-48</td> <td>"</td> <td>"</td> <td>V-675</td> <td>122</td> <td>1/2</td> <td>2900</td> <td>1\"/&gt;  <tr> <td>U-49</td> <td>"</td> <td>"</td> <td>V-675</td> <td>122</td> <td>1/2</td> <td>2900</td> <td>1\"/&gt;  <tr> <td>U-50</td> <td>"</td> <td>"</td> <td>V-675</td> <td>122</td> <td>1/2</td> <td>2900</td> <td>1\"/&gt;  </td></tr></td></tr></td></tr></td></tr></td></tr></td></tr></td></tr></td></tr></td></tr></td></tr></td></tr></td></tr></td></tr></td></tr></td></tr></td></tr></td></tr></td></tr></td></tr></td></tr></td></tr></td></tr></td></tr></td></tr></td></tr></td></tr></td></tr>   | U-24 | " | " | V-675 | 122 | 1/2 | 2900 | 1\"/> <tr> <td>U-25</td> <td>"</td> <td>"</td> <td>V-675</td> <td>122</td> <td>1/2</td> <td>2900</td> <td>1\"/&gt;  <tr> <td>U-26</td> <td>"</td> <td>"</td> <td>V-675</td> <td>122</td> <td>1/2</td> <td>2900</td> <td>1\"/&gt;  <tr> <td>U-27</td> <td>"</td> <td>"</td> <td>V-675</td> <td>122</td> <td>1/2</td> <td>2900</td> <td>1\"/&gt;  <tr> <td>U-28</td> <td>"</td> <td>"</td> <td>V-675</td> <td>122</td> <td>1/2</td> <td>2900</td> <td>1\"/&gt;  <tr> <td>U-29</td> <td>"</td> <td>"</td> <td>V-675</td> <td>122</td> <td>1/2</td> <td>2900</td> <td>1\"/&gt;  <tr> <td>U-30</td> <td>"</td> <td>"</td> <td>V-675</td> <td>122</td> <td>1/2</td> <td>2900</td> <td>1\"/&gt;  <tr> <td>U-31</td> <td>"</td> <td>"</td> <td>V-675</td> <td>122</td> <td>1/2</td> <td>2900</td> <td>1\"/&gt;  <tr> <td>U-32</td> <td>"</td> <td>"</td> <td>V-675</td> <td>122</td> <td>1/2</td> <td>2900</td> <td>1\"/&gt;  <tr> <td>U-33</td> <td>"</td> <td>"</td> <td>V-675</td> <td>122</td> <td>1/2</td> <td>2900</td> <td>1\"/&gt;  <tr> <td>U-34</td> <td>"</td> <td>"</td> <td>V-675</td> <td>122</td> <td>1/2</td> <td>2900</td> <td>1\"/&gt;  <tr> <td>U-35</td> <td>"</td> <td>"</td> <td>V-675</td> <td>122</td> <td>1/2</td> <td>2900</td> <td>1\"/&gt;  <tr> <td>U-36</td> <td>"</td> <td>"</td> <td>V-675</td> <td>122</td> <td>1/2</td> <td>2900</td> <td>1\"/&gt;  <tr> <td>U-37</td> <td>"</td> <td>"</td> <td>V-675</td> <td>122</td> <td>1/2</td> <td>2900</td> <td>1\"/&gt;  <tr> <td>U-38</td> <td>"</td> <td>"</td> <td>V-675</td> <td>122</td> <td>1/2</td> <td>2900</td> <td>1\"/&gt;  <tr> <td>U-39</td> <td>"</td> <td>"</td> <td>V-675</td> <td>122</td> <td>1/2</td> <td>2900</td> <td>1\"/&gt;  <tr> <td>U-40</td> <td>"</td> <td>"</td> <td>V-675</td> <td>122</td> <td>1/2</td> <td>2900</td> <td>1\"/&gt;  <tr> <td>U-41</td> <td>"</td> <td>"</td> <td>V-675</td> <td>122</td> <td>1/2</td> <td>2900</td> <td>1\"/&gt;  <tr> <td>U-42</td> <td>"</td> <td>"</td> <td>V-675</td> <td>122</td> <td>1/2</td> <td>2900</td> <td>1\"/&gt;  <tr> <td>U-43</td> <td>"</td> <td>"</td> <td>V-675</td> <td>122</td> <td>1/2</td> <td>2900</td> <td>1\"/&gt;  <tr> <td>U-44</td> <td>"</td> <td>"</td> <td>V-675</td> <td>122</td> <td>1/2</td>
<td>2900</td> <td>1\"/&gt;  <tr> <td>U-45</td> <td>"</td> <td>"</td> <td>V-675</td> <td>122</td> <td>1/2</td> <td>2900</td> <td>1\"/&gt;  <tr> <td>U-46</td> <td>"</td> <td>"</td> <td>V-675</td> <td>122</td> <td>1/2</td> <td>2900</td> <td>1\"/&gt;  <tr> <td>U-47</td> <td>"</td> <td>"</td> <td>V-675</td> <td>122</td> <td>1/2</td> <td>2900</td> <td>1\"/&gt;  <tr> <td>U-48</td> <td>"</td> <td>"</td> <td>V-675</td> <td>122</td> <td>1/2</td> <td>2900</td> <td>1\"/&gt;  <tr> <td>U-49</td> <td>"</td> <td>"</td> <td>V-675</td> <td>122</td> <td>1/2</td> <td>2900</td> <td>1\"/&gt;  <tr> <td>U-50</td> <td>"</td> <td>"</td> <td>V-675</td> <td>122</td> <td>1/2</td> <td>2900</td> <td>1\"/&gt;  </td></tr></td></tr></td></tr></td></tr></td></tr></td></tr></td></tr></td></tr></td></tr></td></tr></td></tr></td></tr></td></tr></td></tr></td></tr></td></tr></td></tr></td></tr></td></tr></td></tr></td></tr></td></tr></td></tr></td></tr></td></tr></td></tr>   | U-25 | " | " | V-675 | 122 | 1/2 | 2900 | 1\"/> <tr> <td>U-26</td> <td>"</td> <td>"</td> <td>V-675</td> <td>122</td> <td>1/2</td> <td>2900</td> <td>1\"/&gt;  <tr> <td>U-27</td> <td>"</td> <td>"</td> <td>V-675</td> <td>122</td> <td>1/2</td> <td>2900</td> <td>1\"/&gt;  <tr> <td>U-28</td> <td>"</td> <td>"</td> <td>V-675</td> <td>122</td> <td>1/2</td> <td>2900</td> <td>1\"/&gt;  <tr> <td>U-29</td> <td>"</td> <td>"</td> <td>V-675</td> <td>122</td> <td>1/2</td> <td>2900</td> <td>1\"/&gt;  <tr> <td>U-30</td> <td>"</td> <td>"</td> <td>V-675</td> <td>122</td> <td>1/2</td> <td>2900</td> <td>1\"/&gt;  <tr> <td>U-31</td> <td>"</td> <td>"</td> <td>V-675</td> <td>122</td> <td>1/2</td> <td>2900</td> <td>1\"/&gt;  <tr> <td>U-32</td> <td>"</td> <td>"</td> <td>V-675</td> <td>122</td> <td>1/2</td> <td>2900</td> <td>1\"/&gt;  <tr> <td>U-33</td> <td>"</td> <td>"</td> <td>V-675</td> <td>122</td> <td>1/2</td> <td>2900</td> <td>1\"/&gt;  <tr> <td>U-34</td> <td>"</td> <td>"</td> <td>V-675</td> <td>122</td> <td>1/2</td> <td>2900</td> <td>1\"/&gt;  <tr> <td>U-35</td> <td>"</td> <td>"</td> <td>V-675</td> <td>122</td> <td>1/2</td> <td>2900</td> <td>1\"/&gt;  <tr> <td>U-36</td> <td>"</td> <td>"</td> <td>V-675</td> <td>122</td> <td>1/2</td> <td>2900</td> <td>1\"/&gt;  <tr> <td>U-37</td> <td>"</td> <td>"</td> <td>V-675</td> <td>122</td> <td>1/2</td> <td>2900</td> <td>1\"/&gt;  <tr> <td>U-38</td> <td>"</td> <td>"</td> <td>V-675</td> <td>122</td> <td>1/2</td> <td>2900</td> <td>1\"/&gt;  <tr> <td>U-39</td> <td>"</td> <td>"</td> <td>V-675</td> <td>122</td> <td>1/2</td> <td>2900</td> <td>1\"/&gt;  <tr> <td>U-40</td> <td>"</td> <td>"</td> <td>V-675</td> <td>122</td> <td>1/2</td> <td>2900</td> <td>1\"/&gt;  <tr> <td>U-41</td> <td>"</td> <td>"</td> <td>V-675</td> <td>122</td> <td>1/2</td> <td>2900</td> <td>1\"/&gt;  <tr> <td>U-42</td> <td>"</td> <td>"</td> <td>V-675</td> <td>122</td> <td>1/2</td> <td>2900</td> <td>1\"/&gt;  <tr> <td>U-43</td> <td>"</td> <td>"</td> <td>V-675</td> <td>122</td> <td>1/2</td> <td>2900</td> <td>1\"/&gt;  <tr> <td>U-44</td> <td>"</td> <td>"</td> <td>V-675</td> <td>122</td> <td>1/2</td> <td>2900</td> <td>1\"/&gt;  <tr> <td>U-45</td> <td>"</td> <td>"</td> <td>V-675</td> <td>122</td> <td>1/2</td> <td>2900</td> <td>1\"/&gt;  <tr> <td>U-46</td> <td>"</td> <td>"</td> <td>V-675</td> <td>122</td> <td>1/2</td> <td>2900</td> <td>1\"/&gt;  <tr> <td>U-47</td> <td>"</td> <td>"</td> <td>V-675</td> <td>122</td> <td>1/2</td> <td>2900</td> <td>1\"/&gt;  <tr> <td>U-48</td> <td>"</td> <td>"</td> <td>V-675</td> <td>122</td> <td>1/2</td> <td>2900</td> <td>1\"/&gt;  <tr> <td>U-49</td> <td>"</td> <td>"</td> <td>V-675</td> <td>122</td> <td>1/2</td> <td>2900</td> <td>1\"/&gt;  <tr> <td>U-50</td> <td>"</td> <td>"</td> <td>V-675</td> <td>122</td> <td>1/2</td> <td>2900</td> <td>1\"/&gt;  </td></tr></td></tr></td></tr></td></tr></td></tr></td></tr></td></tr></td></tr></td></tr></td></tr></td></tr></td></tr></td></tr></td></tr></td></tr></td></tr></td></tr></td></tr></td></tr></td></tr></td></tr></td></tr></td></tr></td></tr></td></tr>   | U-26 | " | " | V-675 | 122 | 1/2 | 2900 | 1\"/> <tr> <td>U-27</td> <td>"</td> <td>"</td> <td>V-675</td> <td>122</td> <td>1/2</td> <td>2900</td> <td>1\"/&gt;  <tr> <td>U-28</td> <td>"</td> <td>"</td> <td>V-675</td> <td>122</td> <td>1/2</td> <td>2900</td> <td>1\"/&gt;  <tr> <td>U-29</td> <td>"</td> <td>"</td> <td>V-675</td> <td>122</td> <td>1/2</td> <td>2900</td> <td>1\"/&gt;  <tr> <td>U-30</td> <td>"</td> <td>"</td> <td>V-675</td> <td>122</td> <td>1/2</td> <td>2900</td> <td>1\"/&gt;  <tr> <td>U-31</td> <td>"</td> <td>"</td> <td>V-675</td> <td>122</td> <td>1/2</td> <td>2900</td> <td>1\"/&gt;  <tr> <td>U-32</td> <td>"</td> <td>"</td> <td>V-675</td> <td>122</td> <td>1/2</td> <td>2900</td> <td>1\"/&gt;  <tr> <td>U-33</td> <td>"</td> <td>"</td> <td>V-675</td> <td>122</td> <td>1/2</td> <td>2900</td> <td>1\"/&gt;  <tr> <td>U-34</td> <td>"</td> <td>"</td> <td>V-675</td> <td>122</td> <td>1/2</td> <td>2900</td> <td>1\"/&gt;  <tr> <td>U-35</td> <td>"</td> <td>"</td> <td>V-675</td> <td>122</td> <td>1/2</td> <td>2900</td> <td>1\"/&gt;  <tr> <td>U-36</td> <td>"</td> <td>"</td> <td>V-675</td> <td>122</td> <td>1/2</td> <td>2900</td> <td>1\"/&gt;  <tr> <td>U-37</td> <td>"</td> <td>"</td> <td>V-675</td> <td>122</td> <td>1/2</td> <td>2900</td> <td>1\"/&gt;  <tr> <td>U-38</td> <td>"</td> <td>"</td> <td>V-675</td> <td>122</td> <td>1/2</td> <td>2900</td> <td>1\"/&gt;  <tr> <td>U-39</td> <td>"</td> <td>"</td> <td>V-675</td> <td>122</td> <td>1/2</td> <td>2900</td> <td>1\"/&gt;  <tr> <td>U-40</td> <td>"</td> <td>"</td> <td>V-675</td> <td>122</td> <td>1/2</td> <td>2900</td> <td>1\"/&gt;  <tr> <td>U-41</td> <td>"</td> <td>"</td> <td>V-675</td> <td>122</td> <td>1/2</td> <td>2900</td> <td>1\"/&gt;  <tr> <td>U-42</td> <td>"</td> <td>"</td> <td>V-675</td> <td>122</td> <td>1/2</td> <td>2900</td> <td>1\"/&gt;  <tr> <td>U-43</td> <td>"</td> <td>"</td> <td>V-675</td> <td>122</td> <td>1/2</td> <td>2900</td> <td>1\"/&gt;  <tr> <td>U-44</td> <td>"</td> <td>"</td> <td>V-675</td> <td>122</td> <td>1/2</td> <td>2900</td> <td>1\"/&gt;  <tr> <td>U-45</td> <td>"</td> <td>"</td> <td>V-675</td> <td>122</td> <td>1/2</td> <td>2900</td> <td>1\"/&gt;  <tr> <td>U-46</td> <td>"</td> <td>"</td> <td>V-675</td> <td>122</td> <td>1/2</td> <td>2900</td> <td>1\"/&gt;  <tr> <td>U-47</td> <td>"</td> <td>"</td> <td>V-675</td> <td>122</td> <td>1/2</td> <td>2900</td> <td>1\"/&gt;  <tr> <td>U-48</td> <td>"</td> <td>"</td> <td>V-675</td> <td>122</td> <td>1/2</td> <td>2900</td> <td>1\"/&gt;  <tr> <td>U-49</td> <td>"</td> <td>"</td> <td>V-675</td> <td>122</td> <td>1/2</td> <td>2900</td> <td>1\"/&gt;  <tr> <td>U-50</td> <td>"</td> <td>"</td> <td>V-675</td> <td>122</td> <td>1/2</td> <td>2900</td> <td>1\"/&gt;  </td></tr></td></tr></td></tr></td></tr></td></tr></td></tr></td></tr></td></tr></td></tr></td></tr></td></tr></td></tr></td></tr></td></tr></td></tr></td></tr></td></tr></td></tr></td></tr></td></tr></td></tr></td></tr></td></tr></td></tr>   
   | U-27 | " | " | V-675 | 122 | 1/2 | 2900 | 1\"/> <tr> <td>U-28</td> <td>"</td> <td>"</td> <td>V-675</td> <td>122</td> <td>1/2</td> <td>2900</td> <td>1\"/&gt;  <tr> <td>U-29</td> <td>"</td> <td>"</td> <td>V-675</td> <td>122</td> <td>1/2</td> <td>2900</td> <td>1\"/&gt;  <tr> <td>U-30</td> <td>"</td> <td>"</td> <td>V-675</td> <td>122</td> <td>1/2</td> <td>2900</td> <td>1\"/&gt;  <tr> <td>U-31</td> <td>"</td> <td>"</td> <td>V-675</td> <td>122</td> <td>1/2</td> <td>2900</td> <td>1\"/&gt;  <tr> <td>U-32</td> <td>"</td> <td>"</td> <td>V-675</td> <td>122</td> <td>1/2</td> <td>2900</td> <td>1\"/&gt;  <tr> <td>U-33</td> <td>"</td> <td>"</td> <td>V-675</td> <td>122</td> <td>1/2</td> <td>2900</td> <td>1\"/&gt;  <tr> <td>U-34</td> <td>"</td> <td>"</td> <td>V-675</td> <td>122</td> <td>1/2</td> <td>2900</td> <td>1\"/&gt;  <tr> <td>U-35</td> <td>"</td> <td>"</td> <td>V-675</td> <td>122</td> <td>1/2</td> <td>2900</td> <td>1\"/&gt;  <tr> <td>U-36</td> <td>"</td> <td>"</td> <td>V-675</td> <td>122</td> <td>1/2</td> <td>2900</td> <td>1\"/&gt;  <tr> <td>U-37</td> <td>"</td> <td>"</td> <td>V-675</td> <td>122</td> <td>1/2</td> <td>2900</td> <td>1\"/&gt;  <tr> <td>U-38</td> <td>"</td> <td>"</td> <td>V-675</td> <td>122</td> <td>1/2</td> <td>2900</td> <td>1\"/&gt;  <tr> <td>U-39</td> <td>"</td> <td>"</td> <td>V-675</td> <td>122</td> <td>1/2</td> <td>2900</td> <td>1\"/&gt;  <tr> <td>U-40</td> <td>"</td> <td>"</td> <td>V-675</td> <td>122</td> <td>1/2</td> <td>2900</td> <td>1\"/&gt;  <tr> <td>U-41</td> <td>"</td> <td>"</td> <td>V-675</td> <td>122</td> <td>1/2</td> <td>2900</td> <td>1\"/&gt;  <tr> <td>U-42</td> <td>"</td> <td>"</td> <td>V-675</td> <td>122</td> <td>1/2</td> <td>2900</td> <td>1\"/&gt;  <tr> <td>U-43</td> <td>"</td> <td>"</td> <td>V-675</td> <td>122</td> <td>1/2</td> <td>2900</td> <td>1\"/&gt;  <tr> <td>U-44</td> <td>"</td> <td>"</td> <td>V-675</td> <td>122</td> <td>1/2</td> <td>2900</td> <td>1\"/&gt;  <tr> <td>U-45</td> <td>"</td> <td>"</td> <td>V-675</td> <td>122</td> <td>1/2</td> <td>2900</td> <td>1\"/&gt;  <tr> <td>U-46</td> <td>"</td> <td>"</td> <td>V-675</td> <td>122</td> <td>1/2</td> <td>2900</td> <td>1\"/&gt;  <tr> <td>U-47</td> <td>"</td> <td>"</td> <td>V-675</td> <td>122</td> <td>1/2</td> <td>2900</td> <td>1\"/&gt;  <tr> <td>U-48</td> <td>"</td> <td>"</td> <td>V-675</td> <td>122</td> <td>1/2</td> <td>2900</td> <td>1\"/&gt;  <tr> <td>U-49</td> <td>"</td> <td>"</td> <td>V-675</td> <td>122</td> <td>1/2</td> <td>2900</td> <td>1\"/&gt;  <tr> <td>U-50</td> <td>"</td> <td>"</td> <td>V-675</td> <td>122</td> <td>1/2</td> <td>2900</td> <td>1\"/&gt;  </td></tr></td></tr></td></tr></td></tr></td></tr></td></tr></td></tr></td></tr></td></tr></td></tr></td></tr></td></tr></td></tr></td></tr></td></tr></td></tr></td></tr></td></tr></td></tr></td></tr></td></tr></td></tr></td></tr>   | U-28 | " | " | V-675 | 122 | 1/2 | 2900 | 1\"/> <tr> <td>U-29</td> <td>"</td> <td>"</td> <td>V-675</td> <td>122</td> <td>1/2</td> <td>2900</td> <td>1\"/&gt;  <tr> <td>U-30</td> <td>"</td> <td>"</td> <td>V-675</td> <td>122</td> <td>1/2</td> <td>2900</td> <td>1\"/&gt;  <tr> <td>U-31</td> <td>"</td> <td>"</td> <td>V-675</td> <td>122</td> <td>1/2</td> <td>2900</td> <td>1\"/&gt;  <tr> <td>U-32</td> <td>"</td> <td>"</td> <td>V-675</td> <td>122</td> <td>1/2</td> <td>2900</td> <td>1\"/&gt;  <tr> <td>U-33</td> <td>"</td> <td>"</td> <td>V-675</td> <td>122</td> <td>1/2</td> <td>2900</td> <td>1\"/&gt;  <tr> <td>U-34</td> <td>"</td> <td>"</td> <td>V-675</td> <td>122</td> <td>1/2</td> <td>2900</td> <td>1\"/&gt;  <tr> <td>U-35</td> <td>"</td> <td>"</td> <td>V-675</td> <td>122</td> <td>1/2</td> <td>2900</td> <td>1\"/&gt;  <tr> <td>U-36</td> <td>"</td> <td>"</td> <td>V-675</td> <td>122</td> <td>1/2</td> <td>2900</td> <td>1\"/&gt;  <tr> <td>U-37</td> <td>"</td> <td>"</td> <td>V-675</td> <td>122</td> <td>1/2</td> <td>2900</td> <td>1\"/&gt;  <tr> <td>U-38</td> <td>"</td> <td>"</td> <td>V-675</td> <td>122</td> <td>1/2</td> <td>2900</td> <td>1\"/&gt;  <tr> <td>U-39</td> <td>"</td> <td>"</td> <td>V-675</td> <td>122</td> <td>1/2</td> <td>2900</td> <td>1\"/&gt;  <tr> <td>U-40</td> <td>"</td> <td>"</td> <td>V-675</td> <td>122</td> <td>1/2</td> <td>2900</td> <td>1\"/&gt;  <tr> <td>U-41</td> <td>"</td> <td>"</td> <td>V-675</td> <td>122</td> <td>1/2</td> <td>2900</td> <td>1\"/&gt;  <tr> <td>U-42</td> <td>"</td> <td>"</td> <td>V-675</td> <td>122</td> <td>1/2</td> <td>2900</td> <td>1\"/&gt;  <tr> <td>U-43</td> <td>"</td> <td>"</td> <td>V-675</td> <td>122</td> <td>1/2</td> <td>2900</td> <td>1\"/&gt;  <tr> <td>U-44</td> <td>"</td> <td>"</td> <td>V-675</td> <td>122</td> <td>1/2</td> <td>2900</td> <td>1\"/&gt;  <tr> <td>U-45</td> <td>"</td> <td>"</td> <td>V-675</td> <td>122</td> <td>1/2</td> <td>2900</td> <td>1\"/&gt;  <tr> <td>U-46</td> <td>"</td> <td>"</td> <td>V-675</td> <td>122</td> <td>1/2</td> <td>2900</td> <td>1\"/&gt;  <tr> <td>U-47</td> <td>"</td> <td>"</td> <td>V-675</td> <td>122</td> <td>1/2</td> <td>2900</td> <td>1\"/&gt;  <tr> <td>U-48</td> <td>"</td> <td>"</td> <td>V-675</td> <td>122</td> <td>1/2</td> <td>2900</td> <td>1\"/&gt;  <tr> <td>U-49</td> <td>"</td> <td>"</td> <td>V-675</td> <td>122</td> <td>1/2</td> <td>2900</td> <td>1\"/&gt;  <tr> <td>U-50</td> <td>"</td> <td>"</td> <td>V-675</td> <td>122</td> <td>1/2</td> <td>2900</td> <td>1\"/&gt;  </td></tr></td></tr></td></tr></td></tr></td></tr></td></tr></td></tr></td></tr></td></tr></td></tr></td></tr></td></tr></td></tr></td></tr></td></tr></td></tr></td></tr></td></tr></td></tr></td></tr></td></tr></td></tr>   | U-29 | " | " | V-675 | 122 | 1/2 | 2900 | 1\"/> <tr> <td>U-30</td> <td>"</td> <td>"</td> <td>V-675</td> <td>122</td> <td>1/2</td> <td>2900</td> <td>1\"/&gt;  <tr> <td>U-31</td> <td>"</td> <td>"</td> <td>V-675</td> <td>122</td> <td>1/2</td> <td>2900</td> <td>1\"/&gt;  <tr> <td>U-32</td> <td>"</td> <td>"</td> <td>V-675</td> <td>122</td> <td>1/2</td> <td>2900</td> <td>1\"/&gt;  <tr> <td>U-33</td> <td>"</td> <td>"</td> <td>V-675</td> <td>122</td> <td>1/2</td> <td>2900</td> <td>1\"/&gt;  <tr> <td>U-34</td> <td>"</td> <td>"</td> <td>V-675</td> <td>122</td> <td>1/2</td> <td>2900</td> <td>1\"/&gt;  <tr> <td>U-35</td> <td>"</td> <td>"</td> <td>V-675</td> <td>122</td> <td>1/2</td> <td>2900</td> <td>1\"/&gt;  <tr> <td>U-36</td> <td>"</td> <td>"</td> <td>V-675</td> <td>122</td> <td>1/2</td> <td>2900</td> <td>1\"/&gt;  <tr> <td>U-37</td> <td>"</td> <td>"</td> <td>V-675</td> <td>122</td> <td>1/2</td> <td>2900</td> <td>1\"/&gt;  <tr> <td>U-38</td> <td>"</td>
<td>"</td> <td>V-675</td> <td>122</td> <td>1/2</td> <td>2900</td> <td>1\"/&gt;  <tr> <td>U-39</td> <td>"</td> <td>"</td> <td>V-675</td> <td>122</td> <td>1/2</td> <td>2900</td> <td>1\"/&gt;  <tr> <td>U-40</td> <td>"</td> <td>"</td> <td>V-675</td> <td>122</td> <td>1/2</td> <td>2900</td> <td>1\"/&gt;  <tr> <td>U-41</td> <td>"</td> <td>"</td> <td>V-675</td> <td>122</td> <td>1/2</td> <td>2900</td> <td>1\"/&gt;  <tr> <td>U-42</td> <td>"</td> <td>"</td> <td>V-675</td> <td>122</td> <td>1/2</td> <td>2900</td> <td>1\"/&gt;  <tr> <td>U-43</td> <td>"</td> <td>"</td> <td>V-675</td> <td>122</td> <td>1/2</td> <td>2900</td> <td>1\"/&gt;  <tr> <td>U-44</td> <td>"</td> <td>"</td> <td>V-675</td> <td>122</td> <td>1/2</td> <td>2900</td> <td>1\"/&gt;  <tr> <td>U-45</td> <td>"</td> <td>"</td> <td>V-675</td> <td>122</td> <td>1/2</td> <td>2900</td> <td>1\"/&gt;  <tr> <td>U-46</td> <td>"</td> <td>"</td> <td>V-675</td> <td>122</td> <td>1/2</td> <td>2900</td> <td>1\"/&gt;  <tr> <td>U-47</td> <td>"</td> <td>"</td> <td>V-675</td> <td>122</td> <td>1/2</td> <td>2900</td> <td>1\"/&gt;  <tr> <td>U-48</td> <td>"</td> <td>"</td> <td>V-675</td> <td>122</td> <td>1/2</td> <td>2900</td> <td>1\"/&gt;  <tr> <td>U-49</td> <td>"</td> <td>"</td> <td>V-675</td> <td>122</td> <td>1/2</td> <td>2900</td> <td>1\"/&gt;  <tr> <td>U-50</td> <td>"</td> <td>"</td> <td>V-675</td> <td>122</td> <td>1/2</td> <td>2900</td> <td>1\"/&gt;  </td></tr></td></tr></td></tr></td></tr></td></tr></td></tr></td></tr></td></tr></td></tr></td></tr></td></tr></td></tr></td></tr></td></tr></td></tr></td></tr></td></tr></td></tr></td></tr></td></tr></td></tr>   | U-30 | " | " | V-675 | 122 | 1/2 | 2900 | 1\"/> <tr> <td>U-31</td> <td>"</td> <td>"</td> <td>V-675</td> <td>122</td> <td>1/2</td> <td>2900</td> <td>1\"/&gt;  <tr> <td>U-32</td> <td>"</td> <td>"</td> <td>V-675</td> <td>122</td> <td>1/2</td> <td>2900</td> <td>1\"/&gt;  <tr> <td>U-33</td> <td>"</td> <td>"</td> <td>V-675</td> <td>122</td> <td>1/2</td> <td>2900</td> <td>1\"/&gt;  <tr> <td>U-34</td> <td>"</td> <td>"</td> <td>V-675</td> <td>122</td> <td>1/2</td> <td>2900</td> <td>1\"/&gt;  <tr> <td>U-35</td> <td>"</td> <td>"</td> <td>V-675</td> <td>122</td> <td>1/2</td> <td>2900</td> <td>1\"/&gt;  <tr> <td>U-36</td> <td>"</td> <td>"</td> <td>V-675</td> <td>122</td> <td>1/2</td> <td>2900</td> <td>1\"/&gt;  <tr> <td>U-37</td> <td>"</td> <td>"</td> <td>V-675</td> <td>122</td> <td>1/2</td> <td>2900</td> <td>1\"/&gt;  <tr> <td>U-38</td> <td>"</td> <td>"</td> <td>V-675</td> <td>122</td> <td>1/2</td> <td>2900</td> <td>1\"/&gt;  <tr> <td>U-39</td> <td>"</td> <td>"</td> <td>V-675</td> <td>122</td> <td>1/2</td> <td>2900</td> <td>1\"/&gt;  <tr> <td>U-40</td> <td>"</td> <td>"</td> <td>V-675</td> <td>122</td> <td>1/2</td> <td>2900</td> <td>1\"/&gt;  <tr> <td>U-41</td> <td>"</td> <td>"</td> <td>V-675</td> <td>122</td> <td>1/2</td> <td>2900</td> <td>1\"/&gt;  <tr> <td>U-42</td> <td>"</td> <td>"</td> <td>V-675</td> <td>122</td> <td>1/2</td> <td>2900</td> <td>1\"/&gt;  <tr> <td>U-43</td> <td>"</td> <td>"</td> <td>V-675</td> <td>122</td> <td>1/2</td> <td>2900</td> <td>1\"/&gt;  <tr> <td>U-44</td> <td>"</td> <td>"</td> <td>V-675</td> <td>122</td> <td>1/2</td> <td>2900</td> <td>1\"/&gt;  <tr> <td>U-45</td> <td>"</td> <td>"</td> <td>V-675</td> <td>122</td> <td>1/2</td> <td>2900</td> <td>1\"/&gt;  <tr> <td>U-46</td> <td>"</td> <td>"</td> <td>V-675</td> <td>122</td> <td>1/2</td> <td>2900</td> <td>1\"/&gt;  <tr> <td>U-47</td> <td>"</td> <td>"</td> <td>V-675</td> <td>122</td> <td>1/2</td> <td>2900</td> <td>1\"/&gt;  <tr> <td>U-48</td> <td>"</td> <td>"</td> <td>V-675</td> <td>122</td> <td>1/2</td> <td>2900</td> <td>1\"/&gt;  <tr> <td>U-49</td> <td>"</td> <td>"</td> <td>V-675</td> <td>122</td> <td>1/2</td> <td>2900</td> <td>1\"/&gt;  <tr> <td>U-50</td> <td>"</td> <td>"</td> <td>V-675</td> <td>122</td> <td>1/2</td> <td>2900</td> <td>1\"/&gt;  </td></tr></td></tr></td></tr></td></tr></td></tr></td></tr></td></tr></td></tr></td></tr></td></tr></td></tr></td></tr></td></tr></td></tr></td></tr></td></tr></td></tr></td></tr></td></tr></td></tr>   | U-31 | " | " | V-675 | 122 | 1/2 | 2900 | 1\"/> <tr> <td>U-32</td> <td>"</td> <td>"</td> <td>V-675</td> <td>122</td> <td>1/2</td> <td>2900</td> <td>1\"/&gt;  <tr> <td>U-33</td> <td>"</td> <td>"</td> <td>V-675</td> <td>122</td> <td>1/2</td> <td>2900</td> <td>1\"/&gt;  <tr> <td>U-34</td> <td>"</td> <td>"</td> <td>V-675</td> <td>122</td> <td>1/2</td> <td>2900</td> <td>1\"/&gt;  <tr> <td>U-35</td> <td>"</td> <td>"</td> <td>V-675</td> <td>122</td> <td>1/2</td> <td>2900</td> <td>1\"/&gt;  <tr> <td>U-36</td> <td>"</td> <td>"</td> <td>V-675</td> <td>122</td> <td>1/2</td> <td>2900</td> <td>1\"/&gt;  <tr> <td>U-37</td> <td>"</td> <td>"</td> <td>V-675</td> <td>122</td> <td>1/2</td> <td>2900</td> <td>1\"/&gt;  <tr> <td>U-38</td> <td>"</td> <td>"</td> <td>V-675</td> <td>122</td> <td>1/2</td> <td>2900</td> <td>1\"/&gt;  <tr> <td>U-39</td> <td>"</td> <td>"</td> <td>V-675</td> <td>122</td> <td>1/2</td> <td>2900</td> <td>1\"/&gt;  <tr> <td>U-40</td> <td>"</td> <td>"</td> <td>V-675</td> <td>122</td> <td>1/2</td> <td>2900</td> <td>1\"/&gt;  <tr> <td>U-41</td> <td>"</td> <td>"</td> <td>V-675</td> <td>122</td> <td>1/2</td> <td>2900</td> <td>1\"/&gt;  <tr> <td>U-42</td> <td>"</td> <td>"</td> <td>V-675</td> <td>122</td> <td>1/2</td> <td>2900</td> <td>1\"/&gt;  <tr> <td>U-43</td> <td>"</td> <td>"</td> <td>V-675</td> <td>122</td> <td>1/2</td> <td>2900</td> <td>1\"/&gt;  <tr> <td>U-44</td> <td>"</td> <td>"</td> <td>V-675</td> <td>122</td> <td>1/2</td> <td>2900</td> <td>1\"/&gt;  <tr> <td>U-45</td> <td>"</td> <td>"</td> <td>V-675</td> <td>122</td> <td>1/2</td> <td>2900</td> <td>1\"/&gt;  <tr> <td>U-46</td> <td>"</td> <td>"</td> <td>V-675</td> <td>122</td> <td>1/2</td> <td>2900</td> <td>1\"/&gt;  <tr> <td>U-47</td> <td>"</td> <td>"</td> <td>V-675</td> <td>122</td> <td>1/2</td> <td>2900</td> <td>1\"/&gt;  <tr> <td>U-48</td> <td>"</td> <td>"</td> <td>V-675</td> <td>122</td> <td>1/2</td> <td>2900</td> <td>1\"/&gt;  <tr> <td>U-49</td> <td>"</td> <td>"</td> <td>V-675</td> <td>122</td> <td>1/2</td> <td>2900</td> <td>1\"/&gt;  <tr> <td>U-50</td> <td>"</td> <td>"</td> <td>V-675</td> <td>122</td> <td>1/2</td> <td>2900</td> <td>1\"/&gt;  </td></tr></td></tr></td></tr></td></tr></td></tr></td></tr></td></tr></td></tr></td></tr></td></tr></td></tr></td></tr></td></tr></td></tr></td></tr></td></tr></td></tr></td></tr></td></tr>   
   | U-32 | " | " | V-675 | 122 | 1/2 | 2900 | 1\"/> <tr> <td>U-33</td> <td>"</td> <td>"</td> <td>V-675</td> <td>122</td> <td>1/2</td> <td>2900</td> <td>1\"/&gt;  <tr> <td>U-34</td> <td>"</td> <td>"</td> <td>V-675</td> <td>122</td> <td>1/2</td> <td>2900</td> <td>1\"/&gt;  <tr> <td>U-35</td> <td>"</td> <td>"</td> <td>V-675</td> <td>122</td> <td>1/2</td> <td>2900</td> <td>1\"/&gt;  <tr> <td>U-36</td> <td>"</td> <td>"</td> <td>V-675</td> <td>122</td> <td>1/2</td> <td>2900</td> <td>1\"/&gt;  <tr> <td>U-37</td> <td>"</td> <td>"</td> <td>V-675</td> <td>122</td> <td>1/2</td> <td>2900</td> <td>1\"/&gt;  <tr> <td>U-38</td> <td>"</td> <td>"</td> <td>V-675</td> <td>122</td> <td>1/2</td> <td>2900</td> <td>1\"/&gt;  <tr> <td>U-39</td> <td>"</td> <td>"</td> <td>V-675</td> <td>122</td> <td>1/2</td> <td>2900</td> <td>1\"/&gt;  <tr> <td>U-40</td> <td>"</td> <td>"</td> <td>V-675</td> <td>122</td> <td>1/2</td> <td>2900</td> <td>1\"/&gt;  <tr> <td>U-41</td> <td>"</td> <td>"</td> <td>V-675</td> <td>122</td> <td>1/2</td> <td>2900</td> <td>1\"/&gt;  <tr> <td>U-42</td> <td>"</td> <td>"</td> <td>V-675</td> <td>122</td> <td>1/2</td> <td>2900</td> <td>1\"/&gt;  <tr> <td>U-43</td> <td>"</td> <td>"</td> <td>V-675</td> <td>122</td> <td>1/2</td> <td>2900</td> <td>1\"/&gt;  <tr> <td>U-44</td> <td>"</td> <td>"</td> <td>V-675</td> <td>122</td> <td>1/2</td> <td>2900</td> <td>1\"/&gt;  <tr> <td>U-45</td> <td>"</td> <td>"</td> <td>V-675</td> <td>122</td> <td>1/2</td> <td>2900</td> <td>1\"/&gt;  <tr> <td>U-46</td> <td>"</td> <td>"</td> <td>V-675</td> <td>122</td> <td>1/2</td> <td>2900</td> <td>1\"/&gt;  <tr> <td>U-47</td> <td>"</td> <td>"</td> <td>V-675</td> <td>122</td> <td>1/2</td> <td>2900</td> <td>1\"/&gt;  <tr> <td>U-48</td> <td>"</td> <td>"</td> <td>V-675</td> <td>122</td> <td>1/2</td> <td>2900</td> <td>1\"/&gt;  <tr> <td>U-49</td> <td>"</td> <td>"</td> <td>V-675</td> <td>122</td> <td>1/2</td> <td>2900</td> <td>1\"/&gt;  <tr> <td>U-50</td> <td>"</td> <td>"</td> <td>V-675</td> <td>122</td> <td>1/2</td> <td>2900</td> <td>1\"/&gt;  </td></tr></td></tr></td></tr></td></tr></td></tr></td></tr></td></tr></td></tr></td></tr></td></tr></td></tr></td></tr></td></tr></td></tr></td></tr></td></tr></td></tr></td></tr>   | U-33 | " | " | V-675 | 122 | 1/2 | 2900 | 1\"/> <tr> <td>U-34</td> <td>"</td> <td>"</td> <td>V-675</td> <td>122</td> <td>1/2</td> <td>2900</td> <td>1\"/&gt;  <tr> <td>U-35</td> <td>"</td> <td>"</td> <td>V-675</td> <td>122</td> <td>1/2</td> <td>2900</td> <td>1\"/&gt;  <tr> <td>U-36</td> <td>"</td> <td>"</td> <td>V-675</td> <td>122</td> <td>1/2</td> <td>2900</td> <td>1\"/&gt;  <tr> <td>U-37</td> <td>"</td> <td>"</td> <td>V-675</td> <td>122</td> <td>1/2</td> <td>2900</td> <td>1\"/&gt;  <tr> <td>U-38</td> <td>"</td> <td>"</td> <td>V-675</td> <td>122</td> <td>1/2</td> <td>2900</td> <td>1\"/&gt;  <tr> <td>U-39</td> <td>"</td> <td>"</td> <td>V-675</td> <td>122</td> <td>1/2</td> <td>2900</td> <td>1\"/&gt;  <tr> <td>U-40</td> <td>"</td> <td>"</td> <td>V-675</td> <td>122</td> <td>1/2</td> <td>2900</td> <td>1\"/&gt;  <tr> <td>U-41</td> <td>"</td> <td>"</td> <td>V-675</td> <td>122</td> <td>1/2</td> <td>2900</td> <td>1\"/&gt;  <tr> <td>U-42</td> <td>"</td> <td>"</td> <td>V-675</td> <td>122</td> <td>1/2</td> <td>2900</td> <td>1\"/&gt;  <tr> <td>U-43</td> <td>"</td> <td>"</td> <td>V-675</td> <td>122</td> <td>1/2</td> <td>2900</td> <td>1\"/&gt;  <tr> <td>U-44</td> <td>"</td> <td>"</td> <td>V-675</td> <td>122</td> <td>1/2</td> <td>2900</td> <td>1\"/&gt;  <tr> <td>U-45</td> <td>"</td> <td>"</td> <td>V-675</td> <td>122</td> <td>1/2</td> <td>2900</td> <td>1\"/&gt;  <tr> <td>U-46</td> <td>"</td> <td>"</td> <td>V-675</td> <td>122</td> <td>1/2</td> <td>2900</td> <td>1\"/&gt;  <tr> <td>U-47</td> <td>"</td> <td>"</td> <td>V-675</td> <td>122</td> <td>1/2</td> <td>2900</td> <td>1\"/&gt;  <tr> <td>U-48</td> <td>"</td> <td>"</td> <td>V-675</td> <td>122</td> <td>1/2</td> <td>2900</td> <td>1\"/&gt;  <tr> <td>U-49</td> <td>"</td> <td>"</td> <td>V-675</td> <td>122</td> <td>1/2</td> <td>2900</td> <td>1\"/&gt;  <tr> <td>U-50</td> <td>"</td> <td>"</td> <td>V-675</td> <td>122</td> <td>1/2</td> <td>2900</td> <td>1\"/&gt;  </td></tr></td></tr></td></tr></td></tr></td></tr></td></tr></td></tr></td></tr></td></tr></td></tr></td></tr></td></tr></td></tr></td></tr></td></tr></td></tr></td></tr>   | U-34 | " | " | V-675 | 122 | 1/2 | 2900 | 1\"/> <tr> <td>U-35</td> <td>"</td> <td>"</td> <td>V-675</td> <td>122</td> <td>1/2</td> <td>2900</td> <td>1\"/&gt;  <tr> <td>U-36</td> <td>"</td> <td>"</td> <td>V-675</td> <td>122</td> <td>1/2</td> <td>2900</td> <td>1\"/&gt;  <tr> <td>U-37</td> <td>"</td> <td>"</td> <td>V-675</td> <td>122</td> <td>1/2</td> <td>2900</td> <td>1\"/&gt;  <tr> <td>U-38</td> <td>"</td> <td>"</td> <td>V-675</td> <td>122</td> <td>1/2</td> <td>2900</td> <td>1\"/&gt;  <tr> <td>U-39</td> <td>"</td> <td>"</td> <td>V-675</td> <td>122</td> <td>1/2</td> <td>2900</td> <td>1\"/&gt;  <tr> <td>U-40</td> <td>"</td> <td>"</td> <td>V-675</td> <td>122</td> <td>1/2</td> <td>2900</td> <td>1\"/&gt;  <tr> <td>U-41</td> <td>"</td> <td>"</td> <td>V-675</td> <td>122</td> <td>1/2</td> <td>2900</td> <td>1\"/&gt;  <tr> <td>U-42</td> <td>"</td> <td>"</td> <td>V-675</td> <td>122</td> <td>1/2</td> <td>2900</td> <td>1\"/&gt;  <tr> <td>U-43</td> <td>"</td> <td>"</td> <td>V-675</td> <td>122</td> <td>1/2</td> <td>2900</td> <td>1\"/&gt;  <tr> <td>U-44</td> <td>"</td> <td>"</td> <td>V-675</td> <td>122</td> <td>1/2</td> <td>2900</td> <td>1\"/&gt;  <tr> <td>U-45</td> <td>"</td> <td>"</td> <td>V-675</td> <td>122</td> <td>1/2</td> <td>2900</td> <td>1\"/&gt;  <tr> <td>U-46</td> <td>"</td> <td>"</td> <td>V-675</td> <td>122</td> <td>1/2</td> <td>2900</td> <td>1\"/&gt;  <tr> <td>U-47</td> <td>"</td> <td>"</td> <td>V-675</td> <td>122</td> <td>1/2</td> <td>2900</td> <td>1\"/&gt;  <tr> <td>U-48</td> <td>"</td> <td>"</td> <td>V-675</td> <td>122</td> <td>1/2</td> <td>2900</td> <td>1\"/&gt;  <tr> <td>U-49</td> <td>"</td> <td>"</td> <td>V-675</td> <td>122</td> <td>1/2</td> <td>2900</td> <td>1\"/&gt;  <tr> <td>U-50</td> <td>"</td> <td>"</td> <td>V-675</td> <td>122</td> <td>1/2</td> <td>2900</td> <td>1\"/&gt;  </td></tr></td></tr></td></tr></td></tr></td></tr></td></tr></td></tr></td></tr></td></tr></td></tr></td></tr></td></tr></td></tr></td></tr></td></tr></td></tr>  
  | U-35 | " | " | V-675 | 122 | 1/2 | 2900 | 1\"/> <tr> <td>U-36</td> <td>"</td> <td>"</td> <td>V-675</td> <td>122</td> <td>1/2</td> <td>2900</td> <td>1\"/&gt;  <tr> <td>U-37</td> <td>"</td> <td>"</td> <td>V-675</td> <td>122</td> <td>1/2</td> <td>2900</td> <td>1\"/&gt;  <tr> <td>U-38</td> <td>"</td> <td>"</td> <td>V-675</td> <td>122</td> <td>1/2</td> <td>2900</td> <td>1\"/&gt;  <tr> <td>U-39</td> <td>"</td> <td>"</td> <td>V-675</td> <td>122</td> <td>1/2</td> <td>2900</td> <td>1\"/&gt;  <tr> <td>U-40</td> <td>"</td> <td>"</td> <td>V-675</td> <td>122</td> <td>1/2</td> <td>2900</td> <td>1\"/&gt;  <tr> <td>U-41</td> <td>"</td> <td>"</td> <td>V-675</td> <td>122</td> <td>1/2</td> <td>2900</td> <td>1\"/&gt;  <tr> <td>U-42</td> <td>"</td> <td>"</td> <td>V-675</td> <td>122</td> <td>1/2</td> <td>2900</td> <td>1\"/&gt;  <tr> <td>U-43</td> <td>"</td> <td>"</td> <td>V-675</td> <td>122</td> <td>1/2</td> <td>2900</td> <td>1\"/&gt;  <tr> <td>U-44</td> <td>"</td> <td>"</td> <td>V-675</td> <td>122</td> <td>1/2</td> <td>2900</td> <td>1\"/&gt;  <tr> <td>U-45</td> <td>"</td> <td>"</td> <td>V-675</td> <td>122</td> <td>1/2</td> <td>2900</td> <td>1\"/&gt;  <tr> <td>U-46</td> <td>"</td> <td>"</td> <td>V-675</td> <td>122</td> <td>1/2</td> <td>2900</td> <td>1\"/&gt;  <tr> <td>U-47</td> <td>"</td> <td>"</td> <td>V-675</td> <td>122</td> <td>1/2</td> <td>2900</td> <td>1\"/&gt;  <tr> <td>U-48</td> <td>"</td> <td>"</td> <td>V-675</td> <td>122</td> <td>1/2</td> <td>2900</td> <td>1\"/&gt;  <tr> <td>U-49</td> <td>"</td> <td>"</td> <td>V-675</td> <td>122</td> <td>1/2</td> <td>2900</td> <td>1\"/&gt;  <tr> <td>U-50</td> <td>"</td> <td>"</td> <td>V-675</td> <td>122</td> <td>1/2</td> <td>2900</td> <td>1\"/&gt;  </td></tr></td></tr></td></tr></td></tr></td></tr></td></tr></td></tr></td></tr></td></tr></td></tr></td></tr></td></tr></td></tr></td></tr></td></tr>   | U-36 | " | " | V-675 | 122 | 1/2 | 2900 | 1\"/> <tr> <td>U-37</td> <td>"</td> <td>"</td> <td>V-675</td> <td>122</td> <td>1/2</td> <td>2900</td> <td>1\"/&gt;  <tr> <td>U-38</td> <td>"</td> <td>"</td> <td>V-675</td> <td>122</td> <td>1/2</td> <td>2900</td> <td>1\"/&gt;  <tr> <td>U-39</td> <td>"</td> <td>"</td> <td>V-675</td> <td>122</td> <td>1/2</td> <td>2900</td> <td>1\"/&gt;  <tr> <td>U-40</td> <td>"</td> <td>"</td> <td>V-675</td> <td>122</td> <td>1/2</td> <td>2900</td> <td>1\"/&gt;  <tr> <td>U-41</td> <td>"</td> <td>"</td> <td>V-675</td> <td>122</td> <td>1/2</td> <td>2900</td> <td>1\"/&gt;  <tr> <td>U-42</td> <td>"</td> <td>"</td> <td>V-675</td> <td>122</td> <td>1/2</td> <td>2900</td> <td>1\"/&gt;  <tr> <td>U-43</td> <td>"</td> <td>"</td> <td>V-675</td> <td>122</td> <td>1/2</td> <td>2900</td> <td>1\"/&gt;  <tr> <td>U-44</td> <td>"</td> <td>"</td> <td>V-675</td> <td>122</td> <td>1/2</td> <td>2900</td> <td>1\"/&gt;  <tr> <td>U-45</td> <td>"</td> <td>"</td> <td>V-675</td> <td>122</td> <td>1/2</td> <td>2900</td> <td>1\"/&gt;  <tr> <td>U-46</td> <td>"</td> <td>"</td> <td>V-675</td> <td>122</td> <td>1/2</td> <td>2900</td> <td>1\"/&gt;  <tr> <td>U-47</td> <td>"</td> <td>"</td> <td>V-675</td> <td>122</td> <td>1/2</td> <td>2900</td> <td>1\"/&gt;  <tr> <td>U-48</td> <td>"</td> <td>"</td> <td>V-675</td> <td>122</td> <td>1/2</td> <td>2900</td> <td>1\"/&gt;  <tr> <td>U-49</td> <td>"</td> <td>"</td> <td>V-675</td> <td>122</td> <td>1/2</td> <td>2900</td> <td>1\"/&gt;  <tr> <td>U-50</td> <td>"</td> <td>"</td> <td>V-675</td> <td>122</td> <td>1/2</td> <td>2900</td> <td>1\"/&gt;  </td></tr></td></tr></td></tr></td></tr></td></tr></td></tr></td></tr></td></tr></td></tr></td></tr></td></tr></td></tr></td></tr></td></tr>   | U-37 | " | " | V-675 | 122 | 1/2 | 2900 | 1\"/> <tr> <td>U-38</td> <td>"</td> <td>"</td> <td>V-675</td> <td>122</td> <td>1/2</td> <td>2900</td> <td>1\"/&gt;  <tr> <td>U-39</td> <td>"</td> <td>"</td> <td>V-675</td> <td>122</td> <td>1/2</td> <td>2900</td> <td>1\"/&gt;  <tr> <td>U-40</td> <td>"</td> <td>"</td> <td>V-675</td> <td>122</td> <td>1/2</td> <td>2900</td> <td>1\"/&gt;  <tr> <td>U-41</td> <td>"</td> <td>"</td> <td>V-675</td> <td>122</td> <td>1/2</td> <td>2900</td> <td>1\"/&gt;  <tr> <td>U-42</td> <td>"</td> <td>"</td> <td>V-675</td> <td>122</td> <td>1/2</td> <td>2900</td> <td>1\"/&gt;  <tr> <td>U-43</td> <td>"</td> <td>"</td> <td>V-675</td> <td>122</td> <td>1/2</td> <td>2900</td> <td>1\"/&gt;  <tr> <td>U-44</td> <td>"</td> <td>"</td> <td>V-675</td> <td>122</td> <td>1/2</td> <td>2900</td> <td>1\"/&gt;  <tr> <td>U-45</td> <td>"</td> <td>"</td> <td>V-675</td> <td>122</td> <td>1/2</td> <td>2900</td> <td>1\"/&gt;  <tr> <td>U-46</td> <td>"</td> <td>"</td> <td>V-675</td> <td>122</td> <td>1/2</td> <td>2900</td> <td>1\"/&gt;  <tr> <td>U-47</td> <td>"</td> <td>"</td> <td>V-675</td> <td>122</td> <td>1/2</td> <td>2900</td> <td>1\"/&gt;  <tr> <td>U-48</td> <td>"</td> <td>"</td> <td>V-675</td> <td>122</td> <td>1/2</td> <td>2900</td> <td>1\"/&gt;  <tr> <td>U-49</td> <td>"</td> <td>"</td> <td>V-675</td> <td>122</td> <td>1/2</td> <td>2900</td> <td>1\"/&gt;  <tr> <td>U-50</td> <td>"</td> <td>"</td> <td>V-675</td> <td>122</td> <td>1/2</td> <td>2900</td> <td>1\"/&gt;  </td></tr></td></tr></td></tr></td></tr></td></tr></td></tr></td></tr></td></tr></td></tr></td></tr></td></tr></td></tr></td></tr>   | U-38 | " | " | V-675 | 122 | 1/2 | 2900 | 1\"/> <tr> <td>U-39</td> <td>"</td> <td>"</td> <td>V-675</td> <td>122</td> <td>1/2</td> <td>2900</td> <td>1\"/&gt;  <tr> <td>U-40</td> <td>"</td> <td>"</td> <td>V-675</td> <td>122</td> <td>1/2</td> <td>2900</td>
<td>1\"/&gt;  <tr> <td>U-41</td> <td>"</td> <td>"</td> <td>V-675</td> <td>122</td> <td>1/2</td> <td>2900</td> <td>1\"/&gt;  <tr> <td>U-42</td> <td>"</td> <td>"</td> <td>V-675</td> <td>122</td> <td>1/2</td> <td>2900</td> <td>1\"/&gt;  <tr> <td>U-43</td> <td>"</td> <td>"</td> <td>V-675</td> <td>122</td> <td>1/2</td> <td>2900</td> <td>1\"/&gt;  <tr> <td>U-44</td> <td>"</td> <td>"</td> <td>V-675</td> <td>122</td> <td>1/2</td> <td>2900</td> <td>1\"/&gt;  <tr> <td>U-45</td> <td>"</td> <td>"</td> <td>V-675</td> <td>122</td> <td>1/2</td> <td>2900</td> <td>1\"/&gt;  <tr> <td>U-46</td> <td>"</td> <td>"</td> <td>V-675</td> <td>122</td> <td>1/2</td> <td>2900</td> <td>1\"/&gt;  <tr> <td>U-47</td> <td>"</td> <td>"</td> <td>V-675</td> <td>122</td> <td>1/2</td> <td>2900</td> <td>1\"/&gt;  <tr> <td>U-48</td> <td>"</td> <td>"</td> <td>V-675</td> <td>122</td> <td>1/2</td> <td>2900</td> <td>1\"/&gt;  <tr> <td>U-49</td> <td>"</td> <td>"</td> <td>V-675</td> <td>122</td> <td>1/2</td> <td>2900</td> <td>1\"/&gt;  <tr> <td>U-50</td> <td>"</td> <td>"</td> <td>V-675</td> <td>122</td> <td>1/2</td> <td>2900</td> <td>1\"/&gt;  </td></tr></td></tr></td></tr></td></tr></td></tr></td></tr></td></tr></td></tr></td></tr></td></tr></td></tr></td></tr>   | U-39 | " | " | V-675 | 122 | 1/2 | 2900 | 1\"/> <tr> <td>U-40</td> <td>"</td> <td>"</td> <td>V-675</td> <td>122</td> <td>1/2</td> <td>2900</td> <td>1\"/&gt;  <tr> <td>U-41</td> <td>"</td> <td>"</td> <td>V-675</td> <td>122</td> <td>1/2</td> <td>2900</td> <td>1\"/&gt;  <tr> <td>U-42</td> <td>"</td> <td>"</td> <td>V-675</td> <td>122</td> <td>1/2</td> <td>2900</td> <td>1\"/&gt;  <tr> <td>U-43</td> <td>"</td> <td>"</td> <td>V-675</td> <td>122</td> <td>1/2</td> <td>2900</td> <td>1\"/&gt;  <tr> <td>U-44</td> <td>"</td> <td>"</td> <td>V-675</td> <td>122</td> <td>1/2</td> <td>2900</td> <td>1\"/&gt;  <tr> <td>U-45</td> <td>"</td> <td>"</td> <td>V-675</td> <td>122</td> <td>1/2</td> <td>2900</td> <td>1\"/&gt;  <tr> <td>U-46</td> <td>"</td> <td>"</td> <td>V-675</td> <td>122</td> <td>1/2</td> <td>2900</td> <td>1\"/&gt;  <tr> <td>U-47</td> <td>"</td> <td>"</td> <td>V-675</td> <td>122</td> <td>1/2</td> <td>2900</td> <td>1\"/&gt;  <tr> <td>U-48</td> <td>"</td> <td>"</td> <td>V-675</td> <td>122</td> <td>1/2</td> <td>2900</td> <td>1\"/&gt;  <tr> <td>U-49</td> <td>"</td> <td>"</td> <td>V-675</td> <td>122</td> <td>1/2</td> <td>2900</td> <td>1\"/&gt;  <tr> <td>U-50</td> <td>"</td> <td>"</td> <td>V-675</td> <td>122</td> <td>1/2</td> <td>2900</td> <td>1\"/&gt;  </td></tr></td></tr></td></tr></td></tr></td></tr></td></tr></td></tr></td></tr></td></tr></td></tr></td></tr>   | U-40 | " | " | V-675 | 122 | 1/2 | 2900 | 1\"/> <tr> <td>U-41</td> <td>"</td> <td>"</td> <td>V-675</td> <td>122</td> <td>1/2</td> <td>2900</td> <td>1\"/&gt;  <tr> <td>U-42</td> <td>"</td> <td>"</td> <td>V-675</td> <td>122</td> <td>1/2</td> <td>2900</td> <td>1\"/&gt;  <tr> <td>U-43</td> <td>"</td> <td>"</td> <td>V-675</td> <td>122</td> <td>1/2</td> <td>2900</td> <td>1\"/&gt;  <tr> <td>U-44</td> <td>"</td> <td>"</td> <td>V-675</td> <td>122</td> <td>1/2</td> <td>2900</td> <td>1\"/&gt;  <tr> <td>U-45</td> <td>"</td> <td>"</td> <td>V-675</td> <td>122</td> <td>1/2</td> <td>2900</td> <td>1\"/&gt;  <tr> <td>U-46</td> <td>"</td> <td>"</td> <td>V-675</td> <td>122</td> <td>1/2</td> <td>2900</td> <td>1\"/&gt;  <tr> <td>U-47</td> <td>"</td> <td>"</td> <td>V-675</td> <td>122</td> <td>1/2</td> <td>2900</td> <td>1\"/&gt;  <tr> <td>U-48</td> <td>"</td> <td>"</td> <td>V-675</td> <td>122</td> <td>1/2</td> <td>2900</td> <td>1\"/&gt;  <tr> <td>U-49</td> <td>"</td> <td>"</td> <td>V-675</td> <td>122</td> <td>1/2</td> <td>2900</td> <td>1\"/&gt;  <tr> <td>U-50</td> <td>"</td> <td>"</td> <td>V-675</td> <td>122</td> <td>1/2</td> <td>2900</td> <td>1\"/&gt;  </td></tr></td></tr></td></tr></td></tr></td></tr></td></tr></td></tr></td></tr></td></tr></td></tr>   | U-41 | " | " | V-675 | 122 | 1/2 | 2900 | 1\"/> <tr> <td>U-42</td> <td>"</td> <td>"</td> <td>V-675</td> <td>122</td> <td>1/2</td> <td>2900</td> <td>1\"/&gt;  <tr> <td>U-43</td> <td>"</td> <td>"</td> <td>V-675</td> <td>122</td> <td>1/2</td> <td>2900</td> <td>1\"/&gt;  <tr> <td>U-44</td> <td>"</td> <td>"</td> <td>V-675</td> <td>122</td> <td>1/2</td> <td>2900</td> <td>1\"/&gt;  <tr> <td>U-45</td> <td>"</td> <td>"</td> <td>V-675</td> <td>122</td> <td>1/2</td> <td>2900</td> <td>1\"/&gt;  <tr> <td>U-46</td> <td>"</td> <td>"</td> <td>V-675</td> <td>122</td> <td>1/2</td> <td>2900</td> <td>1\"/&gt;  <tr> <td>U-47</td> <td>"</td> <td>"</td> <td>V-675</td> <td>122</td> <td>1/2</td> <td>2900</td> <td>1\"/&gt;  <tr> <td>U-48</td> <td>"</td> <td>"</td> <td>V-675</td> <td>122</td> <td>1/2</td> <td>2900</td> <td>1\"/&gt;  <tr> <td>U-49</td> <td>"</td> <td>"</td> <td>V-675</td> <td>122</td> <td>1/2</td> <td>2900</td> <td>1\"/&gt;  <tr> <td>U-50</td> <td>"</td> <td>"</td> <td>V-675</td> <td>122</td> <td>1/2</td> <td>2900</td> <td>1\"/&gt;  </td></tr></td></tr></td></tr></td></tr></td></tr></td></tr></td></tr></td></tr></td></tr>  
  | U-42 | " | " | V-675 | 122 | 1/2 | 2900 | 1\"/> <tr> <td>U-43</td> <td>"</td> <td>"</td> <td>V-675</td> <td>122</td> <td>1/2</td> <td>2900</td> <td>1\"/&gt;  <tr> <td>U-44</td> <td>"</td> <td>"</td> <td>V-675</td> <td>122</td> <td>1/2</td> <td>2900</td> <td>1\"/&gt;  <tr> <td>U-45</td> <td>"</td> <td>"</td> <td>V-675</td> <td>122</td> <td>1/2</td> <td>2900</td> <td>1\"/&gt;  <tr> <td>U-46</td> <td>"</td> <td>"</td> <td>V-675</td> <td>122</td> <td>1/2</td> <td>2900</td> <td>1\"/&gt;  <tr> <td>U-47</td> <td>"</td> <td>"</td> <td>V-675</td> <td>122</td> <td>1/2</td> <td>2900</td> <td>1\"/&gt;  <tr> <td>U-48</td> <td>"</td> <td>"</td> <td>V-675</td> <td>122</td> <td>1/2</td> <td>2900</td> <td>1\"/&gt;  <tr> <td>U-49</td> <td>"</td> <td>"</td> <td>V-675</td> <td>122</td> <td>1/2</td> <td>2900</td> <td>1\"/&gt;  <tr> <td>U-50</td> <td>"</td> <td>"</td> <td>V-675</td> <td>122</td> <td>1/2</td> <td>2900</td> <td>1\"/&gt;  </td></tr></td></tr></td></tr></td></tr></td></tr></td></tr></td></tr></td></tr>   | U-43 | " | " | V-675 | 122 | 1/2 | 2900 | 1\"/> <tr> <td>U-44</td> <td>"</td> <td>"</td> <td>V-675</td> <td>122</td> <td>1/2</td> <td>2900</td> <td>1\"/&gt;  <tr> <td>U-45</td> <td>"</td> <td>"</td> <td>V-675</td> <td>122</td> <td>1/2</td> <td>2900</td> <td>1\"/&gt;  <tr> <td>U-46</td> <td>"</td> <td>"</td> <td>V-675</td> <td>122</td> <td>1/2</td> <td>2900</td> <td>1\"/&gt;  <tr> <td>U-47</td> <td>"</td> <td>"</td> <td>V-675</td> <td>122</td> <td>1/2</td> <td>2900</td> <td>1\"/&gt;  <tr> <td>U-48</td> <td>"</td> <td>"</td> <td>V-675</td> <td>122</td> <td>1/2</td> <td>2900</td> <td>1\"/&gt;  <tr> <td>U-49</td> <td>"</td> <td>"</td> <td>V-675</td> <td>122</td> <td>1/2</td> <td>2900</td> <td>1\"/&gt;  <tr> <td>U-50</td> <td>"</td> <td>"</td> <td>V-675</td> <td>122</td> <td>1/2</td> <td>2900</td> <td>1\"/&gt;  </td></tr></td></tr></td></tr></td></tr></td></tr></td></tr></td></tr>   | U-44 | " | " | V-675 | 122 | 1/2 | 2900 | 1\"/> <tr> <td>U-45</td> <td>"</td> <td>"</td> <td>V-675</td> <td>122</td> <td>1/2</td> <td>2900</td> <td>1\"/&gt;  <tr> <td>U-46</td> <td>"</td> <td>"</td> <td>V-675</td> <td>122</td> <td>1/2</td> <td>2900</td> <td>1\"/&gt;  <tr> <td>U-47</td> <td>"</td> <td>"</td> <td>V-675</td> <td>122</td> <td>1/2</td> <td>2900</td> <td>1\"/&gt;  <tr> <td>U-48</td> <td>"</td> <td>"</td> <td>V-675</td> <td>122</td> <td>1/2</td> <td>2900</td> <td>1\"/&gt;  <tr> <td>U-49</td> <td>"</td> <td>"</td> <td>V-675</td> <td>122</td> <td>1/2</td> <td>2900</td> <td>1\"/&gt;  <tr> <td>U-50</td> <td>"</td> <td>"</td> <td>V-675</td> <td>122</td> <td>1/2</td> <td>2900</td> <td>1\"/&gt;  </td></tr></td></tr></td></tr></td></tr></td></tr></td></tr>   | U-45 | " | " | V-675 | 122 | 1/2 | 2900 | 1\"/> <tr> <td>U-46</td> <td>"</td> <td>"</td> <td>V-675</td> <td>122</td> <td>1/2</td> <td>2900</td> <td>1\"/&gt;  <tr> <td>U-47</td> <td>"</td> <td>"</td> <td>V-675</td> <td>122</td> <td>1/2</td> <td>2900</td> <td>1\"/&gt;  <tr> <td>U-48</td> <td>"</td> <td>"</td> <td>V-675</td> <td>122</td> <td>1/2</td> <td>2900</td> <td>1\"/&gt;  <tr> <td>U-49</td> <td>"</td> <td>"</td> <td>V-675</td> <td>122</td> <td>1/2</td> <td>2900</td> <td>1\"/&gt;  <tr> <td>U-50</td> <td>"</td> <td>"</td> <td>V-675</td> <td>122</td> <td>1/2</td> <td>2900</td> <td>1\"/&gt;  </td></tr></td></tr></td></tr></td></tr></td></tr>   | U-46 | " | " | V-675 | 122 | 1/2 | 2900 | 1\"/> <tr> <td>U-47</td> <td>"</td> <td>"</td> <td>V-675</td> <td>122</td> <td>1/2</td> <td>2900</td> <td>1\"/&gt;  <tr> <td>U-48</td> <td>"</td> <td>"</td> <td>V-675</td> <td>122</td> <td>1/2</td> <td>2900</td> <td>1\"/&gt;  <tr> <td>U-49</td> <td>"</td> <td>"</td> <td>V-675</td> <td>122</td> <td>1/2</td> <td>2900</td> <td>1\"/&gt;  <tr> <td>U-50</td> <td>"</td> <td>"</td> <td>V-675</td> <td>122</td> <td>1/2</td> <td>2900</td> <td>1\"/&gt;  </td></tr></td></tr></td></tr></td></tr>   
   | U-47 | " | " | V-675 | 122 | 1/2 | 2900 | 1\"/> <tr> <td>U-48</td> <td>"</td> <td>"</td> <td>V-675</td> <td>122</td> <td>1/2</td> <td>2900</td> <td>1\"/&gt;  <tr> <td>U-49</td> <td>"</td> <td>"</td> <td>V-675</td> <td>122</td> <td>1/2</td> <td>2900</td> <td>1\"/&gt;  <tr> <td>U-50</td> <td>"</td> <td>"</td> <td>V-675</td> <td>122</td> <td>1/2</td> <td>2900</td> <td>1\"/&gt;  </td></tr></td></tr></td></tr>   | U-48 | " | " | V-675 | 122 | 1/2 | 2900 | 1\"/> <tr> <td>U-49</td> <td>"</td> <td>"</td> <td>V-675</td> <td>122</td> <td>1/2</td> <td>2900</td> <td>1\"/&gt;  <tr> <td>U-50</td> <td>"</td> <td>"</td> <td>V-675</td> <td>122</td> <td>1/2</td> <td>2900</td> <td>1\"/&gt;  </td></tr></td></tr>   | U-49 | " | " | V-675 | 122 | 1/2 | 2900 | 1\"/> <tr> <td>U-50</td> <td>"</td> <td>"</td> <td>V-675</td> <td>122</td> <td>1/2</td> <td>2900</td> <td>1\"/&gt;  </td></tr>   | U-50 | " | " | V-675 | 122 | 1/2 | 2900 | 1\"/>  |      |   |   |       |     |     |      |  |      |   |   |       |     |     |      |  |      |   |   |       |     |     |      |   
  |      |   |   |       |     |     |      |  |      |   |   |       |     |     |      |  |      |   |   |       |     |     |      |  |      |   |   |       |     |     |      |  |      |   |   |       |     |     |      |  |      |   |   |       |     |     |      |  |      |   |   |       |     |     |      |  |      |   |   |       |     |     |      |       |
| U-7  | "             | "                       | V-675    | 122  | 1/2           | 2900    | 1\"/> <tr> <td>U-8</td> <td>"</td> <td>"</td> <td>V-675</td> <td>122</td> <td>1/2</td> <td>2900</td> <td>1\"/&gt;  <tr> <td>U-9</td> <td>"</td> <td>"</td> <td>V-675</td> <td>122</td> <td>1/2</td> <td>2900</td> <td>1\"/&gt;  <tr> <td>U-10</td> <td>"</td> <td>"</td> <td>V-675</td> <td>122</td> <td>1/2</td> <td>2900</td> <td>1\"/&gt;  <tr> <td>U-11</td> <td>"</td> <td>"</td> <td>V-675</td> <td>122</td> <td>1/2</td> <td>2900</td> <td>1\"/&gt;  <tr> <td>U-12</td> <td>"</td> <td>"</td> <td>V-675</td> <td>122</td> <td>1/2</td> <td>2900</td> <td>1\"/&gt;  <tr> <td>U-13</td> <td>"</td> <td>"</td> <td>V-675</td> <td>122</td> <td>1/2</td> <td>2900</td> <td>1\"/&gt;  <tr> <td>U-14</td> <td>"</td> <td>"</td> <td>V-675</td> <td>122</td> <td>1/2</td> <td>2900</td> <td>1\"/&gt;  <tr> <td>U-15</td> <td>"</td> <td>"</td> <td>V-675</td> <td>122</td> <td>1/2</td> <td>2900</td> <td>1\"/&gt;  <tr> <td>U-16</td> <td>"</td> <td>"</td> <td>V-675</td> <td>122</td> <td>1/2</td> <td>2900</td> <td>1\"/&gt;  <tr> <td>U-17</td> <td>"</td> <td>"</td> <td>V-675</td> <td>122</td> <td>1/2</td> <td>2900</td> <td>1\"/&gt;  <tr> <td>U-18</td> <td>"</td> <td>"</td> <td>V-675</td> <td>122</td> <td>1/2</td> <td>2900</td> <td>1\"/&gt;  <tr> <td>U-19</td> <td>"</td> <td>"</td> <td>V-675</td> <td>122</td> <td>1/2</td> <td>2900</td> <td>1\"/&gt;  <tr> <td>U-20</td> <td>"</td> <td>"</td> <td>V-675</td> <td>122</td> <td>1/2</td> <td>2900</td> <td>1\"/&gt;  <tr> <td>U-21</td> <td>"</td> <td>"</td> <td>V-675</td> <td>122</td> <td>1/2</td> <td>2900</td> <td>1\"/&gt;  <tr> <td>U-22</td> <td>"</td> <td>"</td> <td>V-675</td> <td>122</td> <td>1/2</td> <td>2900</td> <td>1\"/&gt;  <tr> <td>U-23</td> <td>"</td> <td>"</td> <td>V-675</td> <td>122</td> <td>1/2</td> <td>2900</td> <td>1\"/&gt;  <tr> <td>U-24</td> <td>"</td> <td>"</td> <td>V-675</td> <td>122</td> <td>1/2</td> <td>2900</td> <td>1\"/&gt;  <tr> <td>U-25</td> <td>"</td> <td>"</td> <td>V-675</td> <td>122</td> <td>1/2</td> <td>2900</td> <td>1\"/&gt;  <tr> <td>U-26</td> <td>"</td> <td>"</td> <td>V-675</td> <td>122</td> <td>1/2</td> <td>2900</td> <td>1\"/&gt;  <tr> <td>U-27</td> <td>"</td> <td>"</td> <td>V-675</td> <td>122</td> <td>1/2</td> <td>2900</td> <td>1\"/&gt;  <tr> <td>U-28</td> <td>"</td> <td>"</td> <td>V-675</td> <td>122</td> <td>1/2</td> <td>2900</td> <td>1\"/&gt;  <tr> <td>U-29</td> <td>"</td> <td>"</td> <td>V-675</td> <td>122</td> <td>1/2</td> <td>2900</td> <td>1\"/&gt;  <tr> <td>U-30</td> <td>"</td> <td>"</td> <td>V-675</td> <td>122</td> <td>1/2</td> <td>2900</td> <td>1\"/&gt;  <tr> <td>U-31</td> <td>"</td> <td>"</td> <td>V-675</td> <td>122</td> <td>1/2</td> <td>2900</td> <td>1\"/&gt;  <tr> <td>U-32</td> <td>"</td> <td>"</td> <td>V-675</td> <td>122</td> <td>1/2</td> <td>2900</td> <td>1\"/&gt;  <tr> <td>U-33</td> <td>"</td> <td>"</td> <td>V-675</td> <td>122</td> <td>1/2</td> <td>2900</td> <td>1\"/&gt;  <tr> <td>U-34</td> <td>"</td> <td>"</td> <td>V-675</td> <td>122</td> <td>1/2</td> <td>2900</td> <td>1\"/&gt;  <tr> <td>U-35</td> <td>"</td> <td>"</td> <td>V-675</td> <td>122</td> <td>1/2</td> <td>2900</td> <td>1\"/&gt;  <tr> <td>U-36</td> <td>"</td> <td>"</td> <td>V-675</td> <td>122</td> <td>1/2</td> <td>2900</td> <td>1\"/&gt;  <tr> <td>U-37</td> <td>"</td> <td>"</td> <td>V-675</td> <td>122</td> <td>1/2</td> <td>2900</td> <td>1\"/&gt;  <tr> <td>U-38</td> <td>"</td> <td>"</td> <td>V-675</td> <td>122</td> <td>1/2</td> <td>2900</td> <td>1\"/&gt;  <tr> <td>U-39</td> <td>"</td> <td>"</td> <td>V-675</td> <td>122</td> <td>1/2</td> <td>2900</td> <td>1\"/&gt;  <tr> <td>U-40</td> <td>"</td> <td>"</td> <td>V-675</td> <td>122</td> <td>1/2</td> <td>2900</td> <td>1\"/&gt;  <tr> <td>U-41</td> <td>"</td> <td>"</td> <td>V-675</td> <td>122</td> <td>1/2</td> <td>2900</td> <td>1\"/&gt;  <tr> <td>U-42</td> <td>"</td> <td>"</td> <td>V-675</td> <td>122</td> <td>1/2</td> <td>2900</td> <td>1\"/&gt;  <tr> <td>U-43</td> <td>"</td> <td>"</td> <td>V-675</td> <td>122</td> <td>1/2</td> <td>2900</td> <td>1\"/&gt;  <tr> <td>U-44</td> <td>"</td> <td>"</td> <td>V-675</td> <td>122</td> <td>1/2</td> <td>2900</td> <td>1\"/&gt;  <tr> <td>U-45</td> <td>"</td> <td>"</td> <td>V-675</td> <td>122</td> <td>1/2</td> <td>2900</td> <td>1\"/&gt;  <tr> <td>U-46</td> <td>"</td> <td>"</td> <td>V-675</td> <td>122</td> <td>1/2</td> <td>2900</td> <td>1\"/&gt;  <tr> <td>U-47</td> <td>"</td> <td>"</td> <td>V-675</td> <td>122</td> <td>1/2</td> <td>2900</td> <td>1\"/&gt;  <tr> <td>U-48</td> <td>"</td> <td>"</td> <td>V-675</td> <td>122</td> <td>1/2</td> <td>2900</td> <td>1\"/&gt;  <tr> <td>U-49</td> <td>"</td> <td>"</td> <td>V-675</td> <td>122</td> <td>1/2</td> <td>2900</td> <td>1\"/&gt;  <tr> <td>U-50</td> <td>"</td> <td>"</td> <td>V-675</td> <td>122</td> <td>1/2</td> <td>2900</td> <td>1\"/&gt;  </td></tr></td></tr></td></tr></td></tr></td></tr></td></tr></td></tr></td></tr></td></tr></td></tr></td></tr></td></tr></td></tr></td></tr></td></tr></td></tr></td></tr></td></tr></td></tr></td></tr></td></tr></td></tr></td></tr></td></tr></td></tr></td></tr></td></tr></td></tr></td></tr></td></tr></td></tr></td></tr></td></tr></td></tr></td></tr></td></tr></td></tr></td></tr></td></tr></td></tr></td></tr></td></tr></td></tr>  | U-8  | " | " | V-675  | 122  | 1/2 | 2900   | 1\"/> <tr> <td>U-9</td> <td>"</td> <td>"</td> <td>V-675</td> <td>122</td> <td>1/2</td> <td>2900</td> <td>1\"/&gt;  <tr> <td>U-10</td> <td>"</td> <td>"</td> <td>V-675</td> <td>122</td> <td>1/2</td> <td>2900</td> <td>1\"/&gt;  <tr> <td>U-11</td> <td>"</td> <td>"</td> <td>V-675</td> <td>122</td> <td>1/2</td> <td>2900</td> <td>1\"/&gt;  <tr> <td>U-12</td> <td>"</td> <td>"</td> <td>V-675</td> <td>122</td> <td>1/2</td> <td>2900</td> <td>1\"/&gt;  <tr> <td>U-13</td> <td>"</td> <td>"</td> <td>V-675</td> <td>122</td> <td>1/2</td> <td>2900</td> <td>1\"/&gt;  <tr> <td>U-14</td> <td>"</td> <td>"</td> <td>V-675</td> <td>122</td> <td>1/2</td> <td>2900</td> <td>1\"/&gt;  <tr> <td>U-15</td> <td>"</td> <td>"</td> <td>V-675</td> <td>122</td> <td>1/2</td> <td>2900</td> <td>1\"/&gt;  <tr> <td>U-16</td> <td>"</td> <td>"</td> <td>V-675</td> <td>122</td> <td>1/2</td> <td>2900</td> <td>1\"/&gt;  <tr> <td>U-17</td> <td>"</td> <td>"</td> <td>V-675</td> <td>122</td> <td>1/2</td> <td>2900</td> <td>1\"/&gt;  <tr> <td>U-18</td> <td>"</td> <td>"</td> <td>V-675</td> <td>122</td> <td>1/2</td> <td>2900</td> <td>1\"/&gt;  <tr> <td>U-19</td> <td>"</td> <td>"</td> <td>V-675</td> <td>122</td> <td>1/2</td> <td>2900</td> <td>1\"/&gt;  <tr> <td>U-20</td> <td>"</td> <td>"</td> <td>V-675</td> <td>122</td> <td>1/2</td> <td>2900</td> <td>1\"/&gt;  <tr> <td>U-21</td> <td>"</td> <td>"</td> <td>V-675</td> <td>122</td> <td>1/2</td> <td>2900</td> <td>1\"/&gt;  <tr> <td>U-22</td> <td>"</td> <td>"</td> <td>V-675</td> <td>122</td> <td>1/2</td> <td>2900</td> <td>1\"/&gt;  <tr> <td>U-23</td> <td>"</td> <td>"</td> <td>V-675</td> <td>122</td> <td>1/2</td> <td>2900</td> <td>1\"/&gt;  <tr> <td>U-24</td> <td>"</td> <td>"</td> <td>V-675</td> <td>122</td> <td>1/2</td> <td>2900</td> <td>1\"/&gt;  <tr> <td>U-25</td> <td>"</td> <td>"</td> <td>V-675</td> <td>122</td> <td>1/2</td> <td>2900</td> <td>1\"/&gt;  <tr> <td>U-26</td> <td>"</td> <td>"</td> <td>V-675</td> <td>122</td> <td>1/2</td> <td>2900</td> <td>1\"/&gt;  <tr> <td>U-27</td> <td>"</td> <td>"</td> <td>V-675</td> <td>122</td> <td>1/2</td> <td>2900</td> <td>1\"/&gt;  <tr> <td>U-28</td> <td>"</td> <td>"</td> <td>V-675</td> <td>122</td> <td>1/2</td> <td>2900</td> <td>1\"/&gt;  <tr> <td>U-29</td> <td>"</td> <td>"</td> <td>V-675</td> <td>122</td> <td>1/2</td> <td>2900</td> <td>1\"/&gt;  <tr> <td>U-30</td> <td>"</td> <td>"</td> <td>V-675</td> <td>122</td> <td>1/2</td> <td>2900</td> <td>1\"/&gt;  <tr> <td>U-31</td> <td>"</td> <td>"</td> <td>V-675</td> <td>122</td> <td>1/2</td> <td>2900</td> <td>1\"/&gt;  <tr> <td>U-32</td> <td>"</td> <td>"</td> <td>V-675</td> <td>122</td> <td>1/2</td> <td>2900</td> <td>1\"/&gt;  <tr> <td>U-33</td> <td>"</td> <td>"</td> <td>V-675</td> <td>122</td> <td>1/2</td> <td>2900</td> <td>1\"/&gt;  <tr> <td>U-34</td> <td>"</td> <td>"</td> <td>V-675</td> <td>122</td> <td>1/2</td> <td>2900</td> <td>1\"/&gt;  <tr> <td>U-35</td> <td>"</td> <td>"</td> <td>V-675</td> <td>122</td> <td>1/2</td> <td>2900</td> <td>1\"/&gt;  <tr> <td>U-36</td> <td>"</td> <td>"</td> <td>V-675</td> <td>122</td> <td>1/2</td> <td>2900</td> <td>1\"/&gt;  <tr> <td>U-37</td> <td>"</td> <td>"</td> <td>V-675</td> <td>122</td> <td>1/2</td> <td>2900</td> <td>1\"/&gt;  <tr> <td>U-38</td> <td>"</td> <td>"</td> <td>V-675</td> <td>122</td> <td>1/2</td> <td>2900</td> <td>1\"/&gt; 
<tr> <td>U-39</td> <td>"</td> <td>"</td> <td>V-675</td> <td>122</td> <td>1/2</td> <td>2900</td> <td>1\"/&gt;  <tr> <td>U-40</td> <td>"</td> <td>"</td> <td>V-675</td> <td>122</td> <td>1/2</td> <td>2900</td> <td>1\"/&gt;  <tr> <td>U-41</td> <td>"</td> <td>"</td> <td>V-675</td> <td>122</td> <td>1/2</td> <td>2900</td> <td>1\"/&gt;  <tr> <td>U-42</td> <td>"</td> <td>"</td> <td>V-675</td> <td>122</td> <td>1/2</td> <td>2900</td> <td>1\"/&gt;  <tr> <td>U-43</td> <td>"</td> <td>"</td> <td>V-675</td> <td>122</td> <td>1/2</td> <td>2900</td> <td>1\"/&gt;  <tr> <td>U-44</td> <td>"</td> <td>"</td> <td>V-675</td> <td>122</td> <td>1/2</td> <td>2900</td> <td>1\"/&gt;  <tr> <td>U-45</td> <td>"</td> <td>"</td> <td>V-675</td> <td>122</td> <td>1/2</td> <td>2900</td> <td>1\"/&gt;  <tr> <td>U-46</td> <td>"</td> <td>"</td> <td>V-675</td> <td>122</td> <td>1/2</td> <td>2900</td> <td>1\"/&gt;  <tr> <td>U-47</td> <td>"</td> <td>"</td> <td>V-675</td> <td>122</td> <td>1/2</td> <td>2900</td> <td>1\"/&gt;  <tr> <td>U-48</td> <td>"</td> <td>"</td> <td>V-675</td> <td>122</td> <td>1/2</td> <td>2900</td> <td>1\"/&gt;  <tr> <td>U-49</td> <td>"</td> <td>"</td> <td>V-675</td> <td>122</td> <td>1/2</td> <td>2900</td> <td>1\"/&gt;  <tr> <td>U-50</td> <td>"</td> <td>"</td> <td>V-675</td> <td>122</td> <td>1/2</td> <td>2900</td> <td>1\"/&gt;  </td></tr></td></tr></td></tr></td></tr></td></tr></td></tr></td></tr></td></tr></td></tr></td></tr></td></tr></td></tr></td></tr></td></tr></td></tr></td></tr></td></tr></td></tr></td></tr></td></tr></td></tr></td></tr></td></tr></td></tr></td></tr></td></tr></td></tr></td></tr></td></tr></td></tr></td></tr></td></tr></td></tr></td></tr></td></tr></td></tr></td></tr></td></tr></td></tr></td></tr></td></tr></td></tr>  | U-9  | " | " | V-675  | 122 | 1/2 | 2900   | 1\"/> <tr> <td>U-10</td> <td>"</td> <td>"</td> <td>V-675</td> <td>122</td> <td>1/2</td> <td>2900</td> <td>1\"/&gt;  <tr> <td>U-11</td> <td>"</td> <td>"</td> <td>V-675</td> <td>122</td> <td>1/2</td> <td>2900</td> <td>1\"/&gt;  <tr> <td>U-12</td> <td>"</td> <td>"</td> <td>V-675</td> <td>122</td> <td>1/2</td> <td>2900</td> <td>1\"/&gt;  <tr> <td>U-13</td> <td>"</td> <td>"</td> <td>V-675</td> <td>122</td> <td>1/2</td> <td>2900</td> <td>1\"/&gt;  <tr> <td>U-14</td> <td>"</td> <td>"</td> <td>V-675</td> <td>122</td> <td>1/2</td> <td>2900</td> <td>1\"/&gt;  <tr> <td>U-15</td> <td>"</td> <td>"</td> <td>V-675</td> <td>122</td> <td>1/2</td> <td>2900</td> <td>1\"/&gt;  <tr> <td>U-16</td> <td>"</td> <td>"</td> <td>V-675</td> <td>122</td> <td>1/2</td> <td>2900</td> <td>1\"/&gt;  <tr> <td>U-17</td> <td>"</td> <td>"</td> <td>V-675</td> <td>122</td> <td>1/2</td> <td>2900</td> <td>1\"/&gt;  <tr> <td>U-18</td> <td>"</td> <td>"</td> <td>V-675</td> <td>122</td> <td>1/2</td> <td>2900</td> <td>1\"/&gt;  <tr> <td>U-19</td> <td>"</td> <td>"</td> <td>V-675</td> <td>122</td> <td>1/2</td> <td>2900</td> <td>1\"/&gt;  <tr> <td>U-20</td> <td>"</td> <td>"</td> <td>V-675</td> <td>122</td> <td>1/2</td> <td>2900</td> <td>1\"/&gt;  <tr> <td>U-21</td> <td>"</td> <td>"</td> <td>V-675</td> <td>122</td> <td>1/2</td> <td>2900</td> <td>1\"/&gt;  <tr> <td>U-22</td> <td>"</td> <td>"</td> <td>V-675</td> <td>122</td> <td>1/2</td> <td>2900</td> <td>1\"/&gt;  <tr> <td>U-23</td> <td>"</td> <td>"</td> <td>V-675</td> <td>122</td> <td>1/2</td> <td>2900</td> <td>1\"/&gt;  <tr> <td>U-24</td> <td>"</td> <td>"</td> <td>V-675</td> <td>122</td> <td>1/2</td> <td>2900</td> <td>1\"/&gt;  <tr> <td>U-25</td> <td>"</td> <td>"</td> <td>V-675</td> <td>122</td> <td>1/2</td> <td>2900</td> <td>1\"/&gt;  <tr> <td>U-26</td> <td>"</td> <td>"</td> <td>V-675</td> <td>122</td> <td>1/2</td> <td>2900</td> <td>1\"/&gt;  <tr> <td>U-27</td> <td>"</td> <td>"</td> <td>V-675</td> <td>122</td> <td>1/2</td> <td>2900</td> <td>1\"/&gt;  <tr> <td>U-28</td> <td>"</td> <td>"</td> <td>V-675</td> <td>122</td> <td>1/2</td> <td>2900</td> <td>1\"/&gt;  <tr> <td>U-29</td> <td>"</td> <td>"</td> <td>V-675</td> <td>122</td> <td>1/2</td> <td>2900</td> <td>1\"/&gt;  <tr> <td>U-30</td> <td>"</td> <td>"</td> <td>V-675</td> <td>122</td> <td>1/2</td> <td>2900</td> <td>1\"/&gt;  <tr> <td>U-31</td> <td>"</td> <td>"</td> <td>V-675</td> <td>122</td> <td>1/2</td> <td>2900</td> <td>1\"/&gt;  <tr> <td>U-32</td> <td>"</td> <td>"</td> <td>V-675</td> <td>122</td> <td>1/2</td> <td>2900</td> <td>1\"/&gt;  <tr> <td>U-33</td> <td>"</td> <td>"</td> <td>V-675</td> <td>122</td> <td>1/2</td> <td>2900</td> <td>1\"/&gt;  <tr> <td>U-34</td> <td>"</td> <td>"</td> <td>V-675</td> <td>122</td> <td>1/2</td> <td>2900</td> <td>1\"/&gt;  <tr> <td>U-35</td> <td>"</td> <td>"</td> <td>V-675</td> <td>122</td> <td>1/2</td> <td>2900</td> <td>1\"/&gt;  <tr> <td>U-36</td> <td>"</td> <td>"</td> <td>V-675</td> <td>122</td> <td>1/2</td> <td>2900</td> <td>1\"/&gt;  <tr> <td>U-37</td> <td>"</td> <td>"</td> <td>V-675</td> <td>122</td> <td>1/2</td> <td>2900</td> <td>1\"/&gt;  <tr> <td>U-38</td> <td>"</td> <td>"</td> <td>V-675</td> <td>122</td> <td>1/2</td> <td>2900</td> <td>1\"/&gt;  <tr> <td>U-39</td> <td>"</td> <td>"</td> <td>V-675</td> <td>122</td> <td>1/2</td> <td>2900</td> <td>1\"/&gt;  <tr> <td>U-40</td> <td>"</td> <td>"</td> <td>V-675</td> <td>122</td> <td>1/2</td> <td>2900</td> <td>1\"/&gt;  <tr> <td>U-41</td> <td>"</td> <td>"</td> <td>V-675</td> <td>122</td> <td>1/2</td> <td>2900</td> <td>1\"/&gt;  <tr> <td>U-42</td> <td>"</td> <td>"</td> <td>V-675</td> <td>122</td> <td>1/2</td> <td>2900</td> <td>1\"/&gt;  <tr> <td>U-43</td> <td>"</td> <td>"</td> <td>V-675</td> <td>122</td> <td>1/2</td> <td>2900</td> <td>1\"/&gt;  <tr> <td>U-44</td> <td>"</td> <td>"</td> <td>V-675</td> <td>122</td> <td>1/2</td> <td>2900</td> <td>1\"/&gt;  <tr> <td>U-45</td> <td>"</td> <td>"</td> <td>V-675</td> <td>122</td> <td>1/2</td> <td>2900</td> <td>1\"/&gt;  <tr> <td>U-46</td> <td>"</td> <td>"</td> <td>V-675</td> <td>122</td> <td>1/2</td> <td>2900</td> <td>1\"/&gt;  <tr> <td>U-47</td> <td>"</td> <td>"</td> <td>V-675</td> <td>122</td> <td>1/2</td> <td>2900</td> <td>1\"/&gt;  <tr> <td>U-48</td> <td>"</td> <td>"</td> <td>V-675</td> <td>122</td> <td>1/2</td> <td>2900</td> <td>1\"/&gt;  <tr> <td>U-49</td> <td>"</td> <td>"</td> <td>V-675</td> <td>122</td> <td>1/2</td> <td>2900</td> <td>1\"/&gt;  <tr> <td>U-50</td> <td>"</td> <td>"</td> <td>V-675</td> <td>122</td> <td>1/2</td> <td>2900</td> <td>1\"/&gt;  </td></tr></td></tr></td></tr></td></tr></td></tr></td></tr></td></tr></td></tr></td></tr></td></tr></td></tr></td></tr></td></tr></td></tr></td></tr></td></tr></td></tr></td></tr></td></tr></td></tr></td></tr></td></tr></td></tr></td></tr></td></tr></td></tr></td></tr></td></tr></td></tr></td></tr></td></tr></td></tr></td></tr></td></tr></td></tr></td></tr></td></tr></td></tr></td></tr></td></tr></td></tr>   | U-10 | " | " | V-675 | 122 | 1/2 | 2900    | 1\"/> <tr> <td>U-11</td> <td>"</td> <td>"</td> <td>V-675</td> <td>122</td> <td>1/2</td> <td>2900</td> <td>1\"/&gt;  <tr> <td>U-12</td> <td>"</td> <td>"</td> <td>V-675</td> <td>122</td> <td>1/2</td> <td>2900</td> <td>1\"/&gt;  <tr> <td>U-13</td> <td>"</td> <td>"</td> <td>V-675</td> <td>122</td> <td>1/2</td> <td>2900</td> <td>1\"/&gt;  <tr> <td>U-14</td> <td>"</td> <td>"</td> <td>V-675</td> <td>122</td> <td>1/2</td> <td>2900</td> <td>1\"/&gt;  <tr> <td>U-15</td> <td>"</td> <td>"</td> <td>V-675</td> <td>122</td> <td>1/2</td> <td>2900</td> <td>1\"/&gt;  <tr> <td>U-16</td> <td>"</td> <td>"</td> <td>V-675</td> <td>122</td> <td>1/2</td> <td>2900</td> <td>1\"/&gt;  <tr> <td>U-17</td> <td>"</td> <td>"</td> <td>V-675</td> <td>122</td> <td>1/2</td> <td>2900</td> <td>1\"/&gt;  <tr> <td>U-18</td> <td>"</td> <td>"</td> <td>V-675</td> <td>122</td> <td>1/2</td> <td>2900</td> <td>1\"/&gt;  <tr> <td>U-19</td> <td>"</td> <td>"</td> <td>V-675</td> <td>122</td> <td>1/2</td> <td>2900</td> <td>1\"/&gt;  <tr> <td>U-20</td> <td>"</td> <td>"</td> <td>V-675</td> <td>122</td> <td>1/2</td> <td>2900</td> <td>1\"/&gt;  <tr> <td>U-21</td> <td>"</td> <td>"</td> <td>V-675</td> <td>122</td> <td>1/2</td> <td>2900</td> <td>1\"/&gt;  <tr> <td>U-22</td> <td>"</td> <td>"</td> <td>V-675</td> <td>122</td> <td>1/2</td> <td>2900</td> <td>1\"/&gt;  <tr> <td>U-23</td> <td>"</td> <td>"</td> <td>V-675</td> <td>122</td> <td>1/2</td> <td>2900</td> <td>1\"/&gt;  <tr> <td>U-24</td> <td>"</td> <td>"</td> <td>V-675</td> <td>122</td> <td>1/2</td> <td>2900</td> <td>1\"/&gt;  <tr> <td>U-25</td> <td>"</td> <td>"</td> <td>V-675</td> <td>122</td> <td>1/2</td> <td>2900</td> <td>1\"/&gt;  <tr> <td>U-26</td> <td>"</td> <td>"</td> <td>V-675</td> <td>122</td> <td>1/2</td> <td>2900</td> <td>1\"/&gt;  <tr> <td>U-27</td> <td>"</td> <td>"</td>
<td>V-675</td> <td>122</td> <td>1/2</td> <td>2900</td> <td>1\"/&gt;  <tr> <td>U-28</td> <td>"</td> <td>"</td> <td>V-675</td> <td>122</td> <td>1/2</td> <td>2900</td> <td>1\"/&gt;  <tr> <td>U-29</td> <td>"</td> <td>"</td> <td>V-675</td> <td>122</td> <td>1/2</td> <td>2900</td> <td>1\"/&gt;  <tr> <td>U-30</td> <td>"</td> <td>"</td> <td>V-675</td> <td>122</td> <td>1/2</td> <td>2900</td> <td>1\"/&gt;  <tr> <td>U-31</td> <td>"</td> <td>"</td> <td>V-675</td> <td>122</td> <td>1/2</td> <td>2900</td> <td>1\"/&gt;  <tr> <td>U-32</td> <td>"</td> <td>"</td> <td>V-675</td> <td>122</td> <td>1/2</td> <td>2900</td> <td>1\"/&gt;  <tr> <td>U-33</td> <td>"</td> <td>"</td> <td>V-675</td> <td>122</td> <td>1/2</td> <td>2900</td> <td>1\"/&gt;  <tr> <td>U-34</td> <td>"</td> <td>"</td> <td>V-675</td> <td>122</td> <td>1/2</td> <td>2900</td> <td>1\"/&gt;  <tr> <td>U-35</td> <td>"</td> <td>"</td> <td>V-675</td> <td>122</td> <td>1/2</td> <td>2900</td> <td>1\"/&gt;  <tr> <td>U-36</td> <td>"</td> <td>"</td> <td>V-675</td> <td>122</td> <td>1/2</td> <td>2900</td> <td>1\"/&gt;  <tr> <td>U-37</td> <td>"</td> <td>"</td> <td>V-675</td> <td>122</td> <td>1/2</td> <td>2900</td> <td>1\"/&gt;  <tr> <td>U-38</td> <td>"</td> <td>"</td> <td>V-675</td> <td>122</td> <td>1/2</td> <td>2900</td> <td>1\"/&gt;  <tr> <td>U-39</td> <td>"</td> <td>"</td> <td>V-675</td> <td>122</td> <td>1/2</td> <td>2900</td> <td>1\"/&gt;  <tr> <td>U-40</td> <td>"</td> <td>"</td> <td>V-675</td> <td>122</td> <td>1/2</td> <td>2900</td> <td>1\"/&gt;  <tr> <td>U-41</td> <td>"</td> <td>"</td> <td>V-675</td> <td>122</td> <td>1/2</td> <td>2900</td> <td>1\"/&gt;  <tr> <td>U-42</td> <td>"</td> <td>"</td> <td>V-675</td> <td>122</td> <td>1/2</td> <td>2900</td> <td>1\"/&gt;  <tr> <td>U-43</td> <td>"</td> <td>"</td> <td>V-675</td> <td>122</td> <td>1/2</td> <td>2900</td> <td>1\"/&gt;  <tr> <td>U-44</td> <td>"</td> <td>"</td> <td>V-675</td> <td>122</td> <td>1/2</td> <td>2900</td> <td>1\"/&gt;  <tr> <td>U-45</td> <td>"</td> <td>"</td> <td>V-675</td> <td>122</td> <td>1/2</td> <td>2900</td> <td>1\"/&gt;  <tr> <td>U-46</td> <td>"</td> <td>"</td> <td>V-675</td> <td>122</td> <td>1/2</td> <td>2900</td> <td>1\"/&gt;  <tr> <td>U-47</td> <td>"</td> <td>"</td> <td>V-675</td> <td>122</td> <td>1/2</td> <td>2900</td> <td>1\"/&gt;  <tr> <td>U-48</td> <td>"</td> <td>"</td> <td>V-675</td> <td>122</td> <td>1/2</td> <td>2900</td> <td>1\"/&gt;  <tr> <td>U-49</td> <td>"</td> <td>"</td> <td>V-675</td> <td>122</td> <td>1/2</td> <td>2900</td> <td>1\"/&gt;  <tr> <td>U-50</td> <td>"</td> <td>"</td> <td>V-675</td> <td>122</td> <td>1/2</td> <td>2900</td> <td>1\"/&gt;  </td></tr></td></tr></td></tr></td></tr></td></tr></td></tr></td></tr></td></tr></td></tr></td></tr></td></tr></td></tr></td></tr></td></tr></td></tr></td></tr></td></tr></td></tr></td></tr></td></tr></td></tr></td></tr></td></tr></td></tr></td></tr></td></tr></td></tr></td></tr></td></tr></td></tr></td></tr></td></tr></td></tr></td></tr></td></tr></td></tr></td></tr></td></tr></td></tr></td></tr>  | U-11 | " | " | V-675 | 122 | 1/2 | 2900   | 1\"/> <tr> <td>U-12</td> <td>"</td> <td>"</td> <td>V-675</td> <td>122</td> <td>1/2</td> <td>2900</td> <td>1\"/&gt;  <tr> <td>U-13</td> <td>"</td> <td>"</td> <td>V-675</td> <td>122</td> <td>1/2</td> <td>2900</td> <td>1\"/&gt;  <tr> <td>U-14</td> <td>"</td> <td>"</td> <td>V-675</td> <td>122</td> <td>1/2</td> <td>2900</td> <td>1\"/&gt;  <tr> <td>U-15</td> <td>"</td> <td>"</td> <td>V-675</td> <td>122</td> <td>1/2</td> <td>2900</td> <td>1\"/&gt;  <tr> <td>U-16</td> <td>"</td> <td>"</td> <td>V-675</td> <td>122</td> <td>1/2</td> <td>2900</td> <td>1\"/&gt;  <tr> <td>U-17</td> <td>"</td> <td>"</td> <td>V-675</td> <td>122</td> <td>1/2</td> <td>2900</td> <td>1\"/&gt;  <tr> <td>U-18</td> <td>"</td> <td>"</td> <td>V-675</td> <td>122</td> <td>1/2</td> <td>2900</td> <td>1\"/&gt;  <tr> <td>U-19</td> <td>"</td> <td>"</td> <td>V-675</td> <td>122</td> <td>1/2</td> <td>2900</td> <td>1\"/&gt;  <tr> <td>U-20</td> <td>"</td> <td>"</td> <td>V-675</td> <td>122</td> <td>1/2</td> <td>2900</td> <td>1\"/&gt;  <tr> <td>U-21</td> <td>"</td> <td>"</td> <td>V-675</td> <td>122</td> <td>1/2</td> <td>2900</td> <td>1\"/&gt;  <tr> <td>U-22</td> <td>"</td> <td>"</td> <td>V-675</td> <td>122</td> <td>1/2</td> <td>2900</td> <td>1\"/&gt;  <tr> <td>U-23</td> <td>"</td> <td>"</td> <td>V-675</td> <td>122</td> <td>1/2</td> <td>2900</td> <td>1\"/&gt;  <tr> <td>U-24</td> <td>"</td> <td>"</td> <td>V-675</td> <td>122</td> <td>1/2</td> <td>2900</td> <td>1\"/&gt;  <tr> <td>U-25</td> <td>"</td> <td>"</td> <td>V-675</td> <td>122</td> <td>1/2</td> <td>2900</td> <td>1\"/&gt;  <tr> <td>U-26</td> <td>"</td> <td>"</td> <td>V-675</td> <td>122</td> <td>1/2</td> <td>2900</td> <td>1\"/&gt;  <tr> <td>U-27</td> <td>"</td> <td>"</td> <td>V-675</td> <td>122</td> <td>1/2</td> <td>2900</td> <td>1\"/&gt;  <tr> <td>U-28</td> <td>"</td> <td>"</td> <td>V-675</td> <td>122</td> <td>1/2</td> <td>2900</td> <td>1\"/&gt;  <tr> <td>U-29</td> <td>"</td> <td>"</td> <td>V-675</td> <td>122</td> <td>1/2</td> <td>2900</td> <td>1\"/&gt;  <tr> <td>U-30</td> <td>"</td> <td>"</td> <td>V-675</td> <td>122</td> <td>1/2</td> <td>2900</td> <td>1\"/&gt;  <tr> <td>U-31</td> <td>"</td> <td>"</td> <td>V-675</td> <td>122</td> <td>1/2</td> <td>2900</td> <td>1\"/&gt;  <tr> <td>U-32</td> <td>"</td> <td>"</td> <td>V-675</td> <td>122</td> <td>1/2</td> <td>2900</td> <td>1\"/&gt;  <tr> <td>U-33</td> <td>"</td> <td>"</td> <td>V-675</td> <td>122</td> <td>1/2</td> <td>2900</td> <td>1\"/&gt;  <tr> <td>U-34</td> <td>"</td> <td>"</td> <td>V-675</td> <td>122</td> <td>1/2</td> <td>2900</td> <td>1\"/&gt;  <tr> <td>U-35</td> <td>"</td> <td>"</td> <td>V-675</td> <td>122</td> <td>1/2</td> <td>2900</td> <td>1\"/&gt;  <tr> <td>U-36</td> <td>"</td> <td>"</td> <td>V-675</td> <td>122</td> <td>1/2</td> <td>2900</td> <td>1\"/&gt;  <tr> <td>U-37</td> <td>"</td> <td>"</td> <td>V-675</td> <td>122</td> <td>1/2</td> <td>2900</td> <td>1\"/&gt;  <tr> <td>U-38</td> <td>"</td> <td>"</td> <td>V-675</td> <td>122</td> <td>1/2</td> <td>2900</td> <td>1\"/&gt;  <tr> <td>U-39</td> <td>"</td> <td>"</td> <td>V-675</td> <td>122</td> <td>1/2</td> <td>2900</td> <td>1\"/&gt;  <tr> <td>U-40</td> <td>"</td> <td>"</td> <td>V-675</td> <td>122</td> <td>1/2</td> <td>2900</td> <td>1\"/&gt;  <tr> <td>U-41</td> <td>"</td> <td>"</td> <td>V-675</td> <td>122</td> <td>1/2</td> <td>2900</td> <td>1\"/&gt;  <tr> <td>U-42</td> <td>"</td> <td>"</td> <td>V-675</td> <td>122</td> <td>1/2</td> <td>2900</td> <td>1\"/&gt;  <tr> <td>U-43</td> <td>"</td> <td>"</td> <td>V-675</td> <td>122</td> <td>1/2</td> <td>2900</td> <td>1\"/&gt;  <tr> <td>U-44</td> <td>"</td> <td>"</td> <td>V-675</td> <td>122</td> <td>1/2</td> <td>2900</td> <td>1\"/&gt;  <tr> <td>U-45</td> <td>"</td> <td>"</td> <td>V-675</td> <td>122</td> <td>1/2</td> <td>2900</td> <td>1\"/&gt;  <tr> <td>U-46</td> <td>"</td> <td>"</td> <td>V-675</td> <td>122</td> <td>1/2</td> <td>2900</td> <td>1\"/&gt;  <tr> <td>U-47</td> <td>"</td> <td>"</td> <td>V-675</td> <td>122</td> <td>1/2</td> <td>2900</td> <td>1\"/&gt;  <tr> <td>U-48</td> <td>"</td> <td>"</td> <td>V-675</td> <td>122</td> <td>1/2</td> <td>2900</td> <td>1\"/&gt;  <tr> <td>U-49</td> <td>"</td> <td>"</td> <td>V-675</td> <td>122</td> <td>1/2</td> <td>2900</td> <td>1\"/&gt;  <tr> <td>U-50</td> <td>"</td> <td>"</td> <td>V-675</td> <td>122</td> <td>1/2</td> <td>2900</td> <td>1\"/&gt;  </td></tr></td></tr></td></tr></td></tr></td></tr></td></tr></td></tr></td></tr></td></tr></td></tr></td></tr></td></tr></td></tr></td></tr></td></tr></td></tr></td></tr></td></tr></td></tr></td></tr></td></tr></td></tr></td></tr></td></tr></td></tr></td></tr></td></tr></td></tr></td></tr></td></tr></td></tr></td></tr></td></tr></td></tr></td></tr></td></tr></td></tr></td></tr></td></tr>   | U-12 | " | " | V-675 | 122 | 1/2 | 2900    | 1\"/> <tr> <td>U-13</td> <td>"</td> <td>"</td> <td>V-675</td> <td>122</td> <td>1/2</td> <td>2900</td> <td>1\"/&gt;  <tr> <td>U-14</td> <td>"</td> <td>"</td> <td>V-675</td> <td>122</td> <td>1/2</td> <td>2900</td> <td>1\"/&gt;  <tr> <td>U-15</td> <td>"</td> <td>"</td> <td>V-675</td> <td>122</td> <td>1/2</td> <td>2900</td> <td>1\"/&gt;  <tr> <td>U-16</td> <td>"</td> <td>"</td> <td>V-675</td> <td>122</td> <td>1/2</td> <td>2900</td> <td>1\"/&gt;  <tr> <td>U-17</td> <td>"</td> <td>"</td> <td>V-675</td> <td>122</td> <td>1/2</td> <td>2900</td> <td>1\"/&gt;  <tr> <td>U-18</td> <td>"</td> <td>"</td> <td>V-675</td> <td>122</td> <td>1/2</td> <td>2900</td> <td>1\"/&gt;  <tr> <td>U-19</td> <td>"</td> <td>"</td> <td>V-675</td> <td>122</td> <td>1/2</td> <td>2900</td> <td>1\"/&gt;  <tr>
<td>U-20</td> <td>"</td> <td>"</td> <td>V-675</td> <td>122</td> <td>1/2</td> <td>2900</td> <td>1\"/&gt;  <tr> <td>U-21</td> <td>"</td> <td>"</td> <td>V-675</td> <td>122</td> <td>1/2</td> <td>2900</td> <td>1\"/&gt;  <tr> <td>U-22</td> <td>"</td> <td>"</td> <td>V-675</td> <td>122</td> <td>1/2</td> <td>2900</td> <td>1\"/&gt;  <tr> <td>U-23</td> <td>"</td> <td>"</td> <td>V-675</td> <td>122</td> <td>1/2</td> <td>2900</td> <td>1\"/&gt;  <tr> <td>U-24</td> <td>"</td> <td>"</td> <td>V-675</td> <td>122</td> <td>1/2</td> <td>2900</td> <td>1\"/&gt;  <tr> <td>U-25</td> <td>"</td> <td>"</td> <td>V-675</td> <td>122</td> <td>1/2</td> <td>2900</td> <td>1\"/&gt;  <tr> <td>U-26</td> <td>"</td> <td>"</td> <td>V-675</td> <td>122</td> <td>1/2</td> <td>2900</td> <td>1\"/&gt;  <tr> <td>U-27</td> <td>"</td> <td>"</td> <td>V-675</td> <td>122</td> <td>1/2</td> <td>2900</td> <td>1\"/&gt;  <tr> <td>U-28</td> <td>"</td> <td>"</td> <td>V-675</td> <td>122</td> <td>1/2</td> <td>2900</td> <td>1\"/&gt;  <tr> <td>U-29</td> <td>"</td> <td>"</td> <td>V-675</td> <td>122</td> <td>1/2</td> <td>2900</td> <td>1\"/&gt;  <tr> <td>U-30</td> <td>"</td> <td>"</td> <td>V-675</td> <td>122</td> <td>1/2</td> <td>2900</td> <td>1\"/&gt;  <tr> <td>U-31</td> <td>"</td> <td>"</td> <td>V-675</td> <td>122</td> <td>1/2</td> <td>2900</td> <td>1\"/&gt;  <tr> <td>U-32</td> <td>"</td> <td>"</td> <td>V-675</td> <td>122</td> <td>1/2</td> <td>2900</td> <td>1\"/&gt;  <tr> <td>U-33</td> <td>"</td> <td>"</td> <td>V-675</td> <td>122</td> <td>1/2</td> <td>2900</td> <td>1\"/&gt;  <tr> <td>U-34</td> <td>"</td> <td>"</td> <td>V-675</td> <td>122</td> <td>1/2</td> <td>2900</td> <td>1\"/&gt;  <tr> <td>U-35</td> <td>"</td> <td>"</td> <td>V-675</td> <td>122</td> <td>1/2</td> <td>2900</td> <td>1\"/&gt;  <tr> <td>U-36</td> <td>"</td> <td>"</td> <td>V-675</td> <td>122</td> <td>1/2</td> <td>2900</td> <td>1\"/&gt;  <tr> <td>U-37</td> <td>"</td> <td>"</td> <td>V-675</td> <td>122</td> <td>1/2</td> <td>2900</td> <td>1\"/&gt;  <tr> <td>U-38</td> <td>"</td> <td>"</td> <td>V-675</td> <td>122</td> <td>1/2</td> <td>2900</td> <td>1\"/&gt;  <tr> <td>U-39</td> <td>"</td> <td>"</td> <td>V-675</td> <td>122</td> <td>1/2</td> <td>2900</td> <td>1\"/&gt;  <tr> <td>U-40</td> <td>"</td> <td>"</td> <td>V-675</td> <td>122</td> <td>1/2</td> <td>2900</td> <td>1\"/&gt;  <tr> <td>U-41</td> <td>"</td> <td>"</td> <td>V-675</td> <td>122</td> <td>1/2</td> <td>2900</td> <td>1\"/&gt;  <tr> <td>U-42</td> <td>"</td> <td>"</td> <td>V-675</td> <td>122</td> <td>1/2</td> <td>2900</td> <td>1\"/&gt;  <tr> <td>U-43</td> <td>"</td> <td>"</td> <td>V-675</td> <td>122</td> <td>1/2</td> <td>2900</td> <td>1\"/&gt;  <tr> <td>U-44</td> <td>"</td> <td>"</td> <td>V-675</td> <td>122</td> <td>1/2</td> <td>2900</td> <td>1\"/&gt;  <tr> <td>U-45</td> <td>"</td> <td>"</td> <td>V-675</td> <td>122</td> <td>1/2</td> <td>2900</td> <td>1\"/&gt;  <tr> <td>U-46</td> <td>"</td> <td>"</td> <td>V-675</td> <td>122</td> <td>1/2</td> <td>2900</td> <td>1\"/&gt;  <tr> <td>U-47</td> <td>"</td> <td>"</td> <td>V-675</td> <td>122</td> <td>1/2</td> <td>2900</td> <td>1\"/&gt;  <tr> <td>U-48</td> <td>"</td> <td>"</td> <td>V-675</td> <td>122</td> <td>1/2</td> <td>2900</td> <td>1\"/&gt;  <tr> <td>U-49</td> <td>"</td> <td>"</td> <td>V-675</td> <td>122</td> <td>1/2</td> <td>2900</td> <td>1\"/&gt;  <tr> <td>U-50</td> <td>"</td> <td>"</td> <td>V-675</td> <td>122</td> <td>1/2</td> <td>2900</td> <td>1\"/&gt;  </td></tr></td></tr></td></tr></td></tr></td></tr></td></tr></td></tr></td></tr></td></tr></td></tr></td></tr></td></tr></td></tr></td></tr></td></tr></td></tr></td></tr></td></tr></td></tr></td></tr></td></tr></td></tr></td></tr></td></tr></td></tr></td></tr></td></tr></td></tr></td></tr></td></tr></td></tr></td></tr></td></tr></td></tr></td></tr></td></tr></td></tr></td></tr>  | U-13 | "           | "      | V-675  | 122  | 1/2 | 2900 | 1\"/> <tr> <td>U-14</td> <td>"</td> <td>"</td> <td>V-675</td> <td>122</td> <td>1/2</td> <td>2900</td> <td>1\"/&gt;  <tr> <td>U-15</td> <td>"</td> <td>"</td> <td>V-675</td> <td>122</td> <td>1/2</td> <td>2900</td> <td>1\"/&gt;  <tr> <td>U-16</td> <td>"</td> <td>"</td> <td>V-675</td> <td>122</td> <td>1/2</td> <td>2900</td> <td>1\"/&gt;  <tr> <td>U-17</td> <td>"</td> <td>"</td> <td>V-675</td> <td>122</td> <td>1/2</td> <td>2900</td> <td>1\"/&gt;  <tr> <td>U-18</td> <td>"</td> <td>"</td> <td>V-675</td> <td>122</td> <td>1/2</td> <td>2900</td> <td>1\"/&gt;  <tr> <td>U-19</td> <td>"</td> <td>"</td> <td>V-675</td> <td>122</td> <td>1/2</td> <td>2900</td> <td>1\"/&gt;  <tr> <td>U-20</td> <td>"</td> <td>"</td> <td>V-675</td> <td>122</td> <td>1/2</td> <td>2900</td> <td>1\"/&gt;  <tr> <td>U-21</td> <td>"</td> <td>"</td> <td>V-675</td> <td>122</td> <td>1/2</td> <td>2900</td> <td>1\"/&gt;  <tr> <td>U-22</td> <td>"</td> <td>"</td> <td>V-675</td> <td>122</td> <td>1/2</td> <td>2900</td> <td>1\"/&gt;  <tr> <td>U-23</td> <td>"</td> <td>"</td> <td>V-675</td> <td>122</td> <td>1/2</td> <td>2900</td> <td>1\"/&gt;  <tr> <td>U-24</td> <td>"</td> <td>"</td> <td>V-675</td> <td>122</td> <td>1/2</td> <td>2900</td> <td>1\"/&gt;  <tr> <td>U-25</td> <td>"</td> <td>"</td> <td>V-675</td> <td>122</td> <td>1/2</td> <td>2900</td> <td>1\"/&gt;  <tr> <td>U-26</td> <td>"</td> <td>"</td> <td>V-675</td> <td>122</td> <td>1/2</td> <td>2900</td> <td>1\"/&gt;  <tr> <td>U-27</td> <td>"</td> <td>"</td> <td>V-675</td> <td>122</td> <td>1/2</td> <td>2900</td> <td>1\"/&gt;  <tr> <td>U-28</td> <td>"</td> <td>"</td> <td>V-675</td> <td>122</td> <td>1/2</td> <td>2900</td> <td>1\"/&gt;  <tr> <td>U-29</td> <td>"</td> <td>"</td> <td>V-675</td> <td>122</td> <td>1/2</td> <td>2900</td> <td>1\"/&gt;  <tr> <td>U-30</td> <td>"</td> <td>"</td> <td>V-675</td> <td>122</td> <td>1/2</td> <td>2900</td> <td>1\"/&gt;  <tr> <td>U-31</td> <td>"</td> <td>"</td> <td>V-675</td> <td>122</td> <td>1/2</td> <td>2900</td> <td>1\"/&gt;  <tr> <td>U-32</td> <td>"</td> <td>"</td> <td>V-675</td> <td>122</td> <td>1/2</td> <td>2900</td> <td>1\"/&gt;  <tr> <td>U-33</td> <td>"</td> <td>"</td> <td>V-675</td> <td>122</td> <td>1/2</td> <td>2900</td> <td>1\"/&gt;  <tr> <td>U-34</td> <td>"</td> <td>"</td> <td>V-675</td> <td>122</td> <td>1/2</td> <td>2900</td> <td>1\"/&gt;  <tr> <td>U-35</td> <td>"</td> <td>"</td> <td>V-675</td> <td>122</td> <td>1/2</td> <td>2900</td> <td>1\"/&gt;  <tr> <td>U-36</td> <td>"</td> <td>"</td> <td>V-675</td> <td>122</td> <td>1/2</td> <td>2900</td> <td>1\"/&gt;  <tr> <td>U-37</td> <td>"</td> <td>"</td> <td>V-675</td> <td>122</td> <td>1/2</td> <td>2900</td> <td>1\"/&gt;  <tr> <td>U-38</td> <td>"</td> <td>"</td> <td>V-675</td> <td>122</td> <td>1/2</td> <td>2900</td> <td>1\"/&gt;  <tr> <td>U-39</td> <td>"</td> <td>"</td> <td>V-675</td> <td>122</td> <td>1/2</td> <td>2900</td> <td>1\"/&gt;  <tr> <td>U-40</td> <td>"</td> <td>"</td> <td>V-675</td> <td>122</td> <td>1/2</td> <td>2900</td> <td>1\"/&gt;  <tr> <td>U-41</td> <td>"</td> <td>"</td> <td>V-675</td> <td>122</td> <td>1/2</td> <td>2900</td> <td>1\"/&gt;  <tr> <td>U-42</td> <td>"</td> <td>"</td> <td>V-675</td> <td>122</td> <td>1/2</td> <td>2900</td> <td>1\"/&gt;  <tr> <td>U-43</td> <td>"</td> <td>"</td> <td>V-675</td> <td>122</td> <td>1/2</td> <td>2900</td> <td>1\"/&gt;  <tr> <td>U-44</td> <td>"</td> <td>"</td> <td>V-675</td> <td>122</td> <td>1/2</td> <td>2900</td> <td>1\"/&gt;  <tr> <td>U-45</td> <td>"</td> <td>"</td> <td>V-675</td> <td>122</td> <td>1/2</td> <td>2900</td> <td>1\"/&gt;  <tr> <td>U-46</td> <td>"</td> <td>"</td> <td>V-675</td> <td>122</td> <td>1/2</td> <td>2900</td> <td>1\"/&gt;  <tr> <td>U-47</td> <td>"</td> <td>"</td> <td>V-675</td> <td>122</td> <td>1/2</td> <td>2900</td> <td>1\"/&gt;  <tr> <td>U-48</td> <td>"</td> <td>"</td> <td>V-675</td> <td>122</td> <td>1/2</td> <td>2900</td> <td>1\"/&gt;  <tr> <td>U-49</td> <td>"</td> <td>"</td> <td>V-675</td> <td>122</td> <td>1/2</td> <td>2900</td> <td>1\"/&gt;  <tr> <td>U-50</td> <td>"</td> <td>"</td> <td>V-675</td> <td>122</td> <td>1/2</td> <td>2900</td> <td>1\"/&gt;  </td></tr></td></tr></td></tr></td></tr></td></tr></td></tr></td></tr></td></tr></td></tr></td></tr></td></tr></td></tr></td></tr></td></tr></td></tr></td></tr></td></tr></td></tr></td></tr></td></tr></td></tr></td></tr></td></tr></td></tr></td></tr></td></tr></td></tr></td></tr></td></tr></td></tr></td></tr></td></tr></td></tr></td></tr></td></tr></td></tr></td></tr>   
  | U-14 | " | " | V-675  | 122  | 1/2 | 2900 | 1\"/> <tr> <td>U-15</td> <td>"</td> <td>"</td> <td>V-675</td> <td>122</td> <td>1/2</td> <td>2900</td> <td>1\"/&gt;  <tr> <td>U-16</td> <td>"</td> <td>"</td> <td>V-675</td> <td>122</td> <td>1/2</td> <td>2900</td> <td>1\"/&gt;  <tr> <td>U-17</td> <td>"</td> <td>"</td> <td>V-675</td> <td>122</td> <td>1/2</td> <td>2900</td> <td>1\"/&gt;  <tr> <td>U-18</td> <td>"</td> <td>"</td> <td>V-675</td> <td>122</td> <td>1/2</td> <td>2900</td> <td>1\"/&gt;  <tr> <td>U-19</td> <td>"</td> <td>"</td> <td>V-675</td> <td>122</td> <td>1/2</td> <td>2900</td> <td>1\"/&gt;  <tr> <td>U-20</td> <td>"</td> <td>"</td> <td>V-675</td> <td>122</td> <td>1/2</td> <td>2900</td> <td>1\"/&gt;  <tr> <td>U-21</td> <td>"</td> <td>"</td> <td>V-675</td> <td>122</td> <td>1/2</td> <td>2900</td> <td>1\"/&gt;  <tr> <td>U-22</td> <td>"</td> <td>"</td> <td>V-675</td> <td>122</td> <td>1/2</td> <td>2900</td> <td>1\"/&gt;  <tr> <td>U-23</td> <td>"</td> <td>"</td> <td>V-675</td> <td>122</td> <td>1/2</td> <td>2900</td> <td>1\"/&gt;  <tr> <td>U-24</td> <td>"</td> <td>"</td> <td>V-675</td> <td>122</td> <td>1/2</td> <td>2900</td> <td>1\"/&gt;  <tr> <td>U-25</td> <td>"</td> <td>"</td> <td>V-675</td> <td>122</td> <td>1/2</td> <td>2900</td> <td>1\"/&gt;  <tr> <td>U-26</td> <td>"</td> <td>"</td> <td>V-675</td> <td>122</td> <td>1/2</td> <td>2900</td> <td>1\"/&gt;  <tr> <td>U-27</td> <td>"</td> <td>"</td> <td>V-675</td> <td>122</td> <td>1/2</td> <td>2900</td> <td>1\"/&gt;  <tr> <td>U-28</td> <td>"</td> <td>"</td> <td>V-675</td> <td>122</td> <td>1/2</td> <td>2900</td> <td>1\"/&gt;  <tr> <td>U-29</td> <td>"</td> <td>"</td> <td>V-675</td> <td>122</td> <td>1/2</td> <td>2900</td> <td>1\"/&gt;  <tr> <td>U-30</td> <td>"</td> <td>"</td> <td>V-675</td> <td>122</td> <td>1/2</td> <td>2900</td> <td>1\"/&gt;  <tr> <td>U-31</td> <td>"</td> <td>"</td> <td>V-675</td> <td>122</td> <td>1/2</td> <td>2900</td> <td>1\"/&gt;  <tr> <td>U-32</td> <td>"</td> <td>"</td> <td>V-675</td> <td>122</td> <td>1/2</td> <td>2900</td> <td>1\"/&gt;  <tr> <td>U-33</td> <td>"</td> <td>"</td> <td>V-675</td> <td>122</td> <td>1/2</td> <td>2900</td> <td>1\"/&gt;  <tr> <td>U-34</td> <td>"</td> <td>"</td> <td>V-675</td> <td>122</td> <td>1/2</td> <td>2900</td> <td>1\"/&gt;  <tr> <td>U-35</td> <td>"</td> <td>"</td> <td>V-675</td> <td>122</td> <td>1/2</td> <td>2900</td> <td>1\"/&gt;  <tr> <td>U-36</td> <td>"</td> <td>"</td> <td>V-675</td> <td>122</td> <td>1/2</td> <td>2900</td> <td>1\"/&gt;  <tr> <td>U-37</td> <td>"</td> <td>"</td> <td>V-675</td> <td>122</td> <td>1/2</td> <td>2900</td> <td>1\"/&gt;  <tr> <td>U-38</td> <td>"</td> <td>"</td> <td>V-675</td> <td>122</td> <td>1/2</td> <td>2900</td> <td>1\"/&gt;  <tr> <td>U-39</td> <td>"</td> <td>"</td> <td>V-675</td> <td>122</td> <td>1/2</td> <td>2900</td> <td>1\"/&gt;  <tr> <td>U-40</td> <td>"</td> <td>"</td> <td>V-675</td> <td>122</td> <td>1/2</td> <td>2900</td> <td>1\"/&gt;  <tr> <td>U-41</td> <td>"</td> <td>"</td> <td>V-675</td> <td>122</td> <td>1/2</td> <td>2900</td> <td>1\"/&gt;  <tr> <td>U-42</td> <td>"</td> <td>"</td> <td>V-675</td> <td>122</td> <td>1/2</td> <td>2900</td> <td>1\"/&gt;  <tr> <td>U-43</td> <td>"</td> <td>"</td> <td>V-675</td> <td>122</td> <td>1/2</td> <td>2900</td> <td>1\"/&gt;  <tr> <td>U-44</td> <td>"</td> <td>"</td> <td>V-675</td> <td>122</td> <td>1/2</td> <td>2900</td> <td>1\"/&gt;  <tr> <td>U-45</td> <td>"</td> <td>"</td> <td>V-675</td> <td>122</td> <td>1/2</td> <td>2900</td> <td>1\"/&gt;  <tr> <td>U-46</td> <td>"</td> <td>"</td> <td>V-675</td> <td>122</td> <td>1/2</td> <td>2900</td> <td>1\"/&gt;  <tr> <td>U-47</td> <td>"</td> <td>"</td> <td>V-675</td> <td>122</td> <td>1/2</td> <td>2900</td> <td>1\"/&gt;  <tr> <td>U-48</td> <td>"</td> <td>"</td> <td>V-675</td> <td>122</td> <td>1/2</td> <td>2900</td> <td>1\"/&gt;  <tr> <td>U-49</td> <td>"</td> <td>"</td> <td>V-675</td> <td>122</td> <td>1/2</td> <td>2900</td> <td>1\"/&gt;  <tr> <td>U-50</td> <td>"</td> <td>"</td> <td>V-675</td> <td>122</td> <td>1/2</td> <td>2900</td> <td>1\"/&gt;  </td></tr></td></tr></td></tr></td></tr></td></tr></td></tr></td></tr></td></tr></td></tr></td></tr></td></tr></td></tr></td></tr></td></tr></td></tr></td></tr></td></tr></td></tr></td></tr></td></tr></td></tr></td></tr></td></tr></td></tr></td></tr></td></tr></td></tr></td></tr></td></tr></td></tr></td></tr></td></tr></td></tr></td></tr></td></tr></td></tr>   | U-15 | " | " | V-675  | 122 | 1/2 | 2900 | 1\"/> <tr> <td>U-16</td> <td>"</td> <td>"</td> <td>V-675</td> <td>122</td> <td>1/2</td> <td>2900</td> <td>1\"/&gt;  <tr> <td>U-17</td> <td>"</td> <td>"</td> <td>V-675</td> <td>122</td> <td>1/2</td> <td>2900</td> <td>1\"/&gt;  <tr> <td>U-18</td> <td>"</td> <td>"</td> <td>V-675</td> <td>122</td> <td>1/2</td> <td>2900</td> <td>1\"/&gt;  <tr> <td>U-19</td> <td>"</td> <td>"</td> <td>V-675</td> <td>122</td> <td>1/2</td> <td>2900</td> <td>1\"/&gt;  <tr> <td>U-20</td> <td>"</td> <td>"</td> <td>V-675</td> <td>122</td> <td>1/2</td> <td>2900</td> <td>1\"/&gt;  <tr> <td>U-21</td> <td>"</td> <td>"</td> <td>V-675</td> <td>122</td> <td>1/2</td> <td>2900</td> <td>1\"/&gt;  <tr> <td>U-22</td> <td>"</td> <td>"</td> <td>V-675</td> <td>122</td> <td>1/2</td> <td>2900</td> <td>1\"/&gt;  <tr> <td>U-23</td> <td>"</td> <td>"</td> <td>V-675</td> <td>122</td> <td>1/2</td> <td>2900</td> <td>1\"/&gt;  <tr> <td>U-24</td> <td>"</td> <td>"</td> <td>V-675</td> <td>122</td> <td>1/2</td> <td>2900</td> <td>1\"/&gt;  <tr> <td>U-25</td> <td>"</td> <td>"</td> <td>V-675</td> <td>122</td> <td>1/2</td> <td>2900</td> <td>1\"/&gt;  <tr> <td>U-26</td> <td>"</td> <td>"</td> <td>V-675</td> <td>122</td> <td>1/2</td> <td>2900</td> <td>1\"/&gt;  <tr> <td>U-27</td> <td>"</td> <td>"</td> <td>V-675</td> <td>122</td> <td>1/2</td> <td>2900</td> <td>1\"/&gt;  <tr> <td>U-28</td> <td>"</td> <td>"</td> <td>V-675</td> <td>122</td> <td>1/2</td> <td>2900</td> <td>1\"/&gt;  <tr> <td>U-29</td> <td>"</td> <td>"</td> <td>V-675</td> <td>122</td> <td>1/2</td> <td>2900</td> <td>1\"/&gt;  <tr> <td>U-30</td> <td>"</td> <td>"</td> <td>V-675</td> <td>122</td> <td>1/2</td> <td>2900</td> <td>1\"/&gt;  <tr> <td>U-31</td> <td>"</td> <td>"</td> <td>V-675</td> <td>122</td> <td>1/2</td> <td>2900</td> <td>1\"/&gt;  <tr> <td>U-32</td> <td>"</td> <td>"</td> <td>V-675</td> <td>122</td> <td>1/2</td> <td>2900</td> <td>1\"/&gt;  <tr> <td>U-33</td> <td>"</td> <td>"</td> <td>V-675</td> <td>122</td> <td>1/2</td> <td>2900</td> <td>1\"/&gt;  <tr> <td>U-34</td> <td>"</td> <td>"</td> <td>V-675</td> <td>122</td> <td>1/2</td> <td>2900</td> <td>1\"/&gt;  <tr> <td>U-35</td> <td>"</td> <td>"</td> <td>V-675</td> <td>122</td> <td>1/2</td> <td>2900</td> <td>1\"/&gt;  <tr> <td>U-36</td> <td>"</td> <td>"</td> <td>V-675</td> <td>122</td> <td>1/2</td> <td>2900</td> <td>1\"/&gt;  <tr> <td>U-37</td> <td>"</td> <td>"</td> <td>V-675</td> <td>122</td> <td>1/2</td> <td>2900</td> <td>1\"/&gt;  <tr> <td>U-38</td> <td>"</td> <td>"</td> <td>V-675</td> <td>122</td> <td>1/2</td> <td>2900</td> <td>1\"/&gt;  <tr> <td>U-39</td> <td>"</td> <td>"</td> <td>V-675</td> <td>122</td> <td>1/2</td> <td>2900</td> <td>1\"/&gt;  <tr> <td>U-40</td> <td>"</td> <td>"</td> <td>V-675</td> <td>122</td> <td>1/2</td> <td>2900</td> <td>1\"/&gt;  <tr> <td>U-41</td> <td>"</td> <td>"</td> <td>V-675</td> <td>122</td> <td>1/2</td> <td>2900</td> <td>1\"/&gt;  <tr> <td>U-42</td> <td>"</td> <td>"</td> <td>V-675</td> <td>122</td> <td>1/2</td> <td>2900</td> <td>1\"/&gt;  <tr> <td>U-43</td> <td>"</td> <td>"</td> <td>V-675</td> <td>122</td> <td>1/2</td> <td>2900</td> <td>1\"/&gt;  <tr> <td>U-44</td> <td>"</td> <td>"</td> <td>V-675</td> <td>122</td> <td>1/2</td> <td>2900</td> <td>1\"/&gt;  <tr> <td>U-45</td> <td>"</td> <td>"</td> <td>V-675</td> <td>122</td> <td>1/2</td> <td>2900</td> <td>1\"/&gt;  <tr> <td>U-46</td> <td>"</td> <td>"</td> <td>V-675</td> <td>122</td> <td>1/2</td> <td>2900</td> <td>1\"/&gt;  <tr> <td>U-47</td> <td>"</td> <td>"</td> <td>V-675</td> <td>122</td> <td>1/2</td> <td>2900</td> <td>1\"/&gt;  <tr> <td>U-48</td> <td>"</td> <td>"</td> <td>V-675</td> <td>122</td> <td>1/2</td> <td>2900</td> <td>1\"/&gt;  <tr> <td>U-49</td> <td>"</td> <td>"</td> <td>V-675</td>
<td>122</td> <td>1/2</td> <td>2900</td> <td>1\"/&gt;  <tr> <td>U-50</td> <td>"</td> <td>"</td> <td>V-675</td> <td>122</td> <td>1/2</td> <td>2900</td> <td>1\"/&gt;  </td></tr></td></tr></td></tr></td></tr></td></tr></td></tr></td></tr></td></tr></td></tr></td></tr></td></tr></td></tr></td></tr></td></tr></td></tr></td></tr></td></tr></td></tr></td></tr></td></tr></td></tr></td></tr></td></tr></td></tr></td></tr></td></tr></td></tr></td></tr></td></tr></td></tr></td></tr></td></tr></td></tr></td></tr></td></tr>   | U-16 | " | " | V-675 | 122 | 1/2 | 2900 | 1\"/> <tr> <td>U-17</td> <td>"</td> <td>"</td> <td>V-675</td> <td>122</td> <td>1/2</td> <td>2900</td> <td>1\"/&gt;  <tr> <td>U-18</td> <td>"</td> <td>"</td> <td>V-675</td> <td>122</td> <td>1/2</td> <td>2900</td> <td>1\"/&gt;  <tr> <td>U-19</td> <td>"</td> <td>"</td> <td>V-675</td> <td>122</td> <td>1/2</td> <td>2900</td> <td>1\"/&gt;  <tr> <td>U-20</td> <td>"</td> <td>"</td> <td>V-675</td> <td>122</td> <td>1/2</td> <td>2900</td> <td>1\"/&gt;  <tr> <td>U-21</td> <td>"</td> <td>"</td> <td>V-675</td> <td>122</td> <td>1/2</td> <td>2900</td> <td>1\"/&gt;  <tr> <td>U-22</td> <td>"</td> <td>"</td> <td>V-675</td> <td>122</td> <td>1/2</td> <td>2900</td> <td>1\"/&gt;  <tr> <td>U-23</td> <td>"</td> <td>"</td> <td>V-675</td> <td>122</td> <td>1/2</td> <td>2900</td> <td>1\"/&gt;  <tr> <td>U-24</td> <td>"</td> <td>"</td> <td>V-675</td> <td>122</td> <td>1/2</td> <td>2900</td> <td>1\"/&gt;  <tr> <td>U-25</td> <td>"</td> <td>"</td> <td>V-675</td> <td>122</td> <td>1/2</td> <td>2900</td> <td>1\"/&gt;  <tr> <td>U-26</td> <td>"</td> <td>"</td> <td>V-675</td> <td>122</td> <td>1/2</td> <td>2900</td> <td>1\"/&gt;  <tr> <td>U-27</td> <td>"</td> <td>"</td> <td>V-675</td> <td>122</td> <td>1/2</td> <td>2900</td> <td>1\"/&gt;  <tr> <td>U-28</td> <td>"</td> <td>"</td> <td>V-675</td> <td>122</td> <td>1/2</td> <td>2900</td> <td>1\"/&gt;  <tr> <td>U-29</td> <td>"</td> <td>"</td> <td>V-675</td> <td>122</td> <td>1/2</td> <td>2900</td> <td>1\"/&gt;  <tr> <td>U-30</td> <td>"</td> <td>"</td> <td>V-675</td> <td>122</td> <td>1/2</td> <td>2900</td> <td>1\"/&gt;  <tr> <td>U-31</td> <td>"</td> <td>"</td> <td>V-675</td> <td>122</td> <td>1/2</td> <td>2900</td> <td>1\"/&gt;  <tr> <td>U-32</td> <td>"</td> <td>"</td> <td>V-675</td> <td>122</td> <td>1/2</td> <td>2900</td> <td>1\"/&gt;  <tr> <td>U-33</td> <td>"</td> <td>"</td> <td>V-675</td> <td>122</td> <td>1/2</td> <td>2900</td> <td>1\"/&gt;  <tr> <td>U-34</td> <td>"</td> <td>"</td> <td>V-675</td> <td>122</td> <td>1/2</td> <td>2900</td> <td>1\"/&gt;  <tr> <td>U-35</td> <td>"</td> <td>"</td> <td>V-675</td> <td>122</td> <td>1/2</td> <td>2900</td> <td>1\"/&gt;  <tr> <td>U-36</td> <td>"</td> <td>"</td> <td>V-675</td> <td>122</td> <td>1/2</td> <td>2900</td> <td>1\"/&gt;  <tr> <td>U-37</td> <td>"</td> <td>"</td> <td>V-675</td> <td>122</td> <td>1/2</td> <td>2900</td> <td>1\"/&gt;  <tr> <td>U-38</td> <td>"</td> <td>"</td> <td>V-675</td> <td>122</td> <td>1/2</td> <td>2900</td> <td>1\"/&gt;  <tr> <td>U-39</td> <td>"</td> <td>"</td> <td>V-675</td> <td>122</td> <td>1/2</td> <td>2900</td> <td>1\"/&gt;  <tr> <td>U-40</td> <td>"</td> <td>"</td> <td>V-675</td> <td>122</td> <td>1/2</td> <td>2900</td> <td>1\"/&gt;  <tr> <td>U-41</td> <td>"</td> <td>"</td> <td>V-675</td> <td>122</td> <td>1/2</td> <td>2900</td> <td>1\"/&gt;  <tr> <td>U-42</td> <td>"</td> <td>"</td> <td>V-675</td> <td>122</td> <td>1/2</td> <td>2900</td> <td>1\"/&gt;  <tr> <td>U-43</td> <td>"</td> <td>"</td> <td>V-675</td> <td>122</td> <td>1/2</td> <td>2900</td> <td>1\"/&gt;  <tr> <td>U-44</td> <td>"</td> <td>"</td> <td>V-675</td> <td>122</td> <td>1/2</td> <td>2900</td> <td>1\"/&gt;  <tr> <td>U-45</td> <td>"</td> <td>"</td> <td>V-675</td> <td>122</td> <td>1/2</td> <td>2900</td> <td>1\"/&gt;  <tr> <td>U-46</td> <td>"</td> <td>"</td> <td>V-675</td> <td>122</td> <td>1/2</td> <td>2900</td> <td>1\"/&gt;  <tr> <td>U-47</td> <td>"</td> <td>"</td> <td>V-675</td> <td>122</td> <td>1/2</td> <td>2900</td> <td>1\"/&gt;  <tr> <td>U-48</td> <td>"</td> <td>"</td> <td>V-675</td> <td>122</td> <td>1/2</td> <td>2900</td> <td>1\"/&gt;  <tr> <td>U-49</td> <td>"</td> <td>"</td> <td>V-675</td> <td>122</td> <td>1/2</td> <td>2900</td> <td>1\"/&gt;  <tr> <td>U-50</td> <td>"</td> <td>"</td> <td>V-675</td> <td>122</td> <td>1/2</td> <td>2900</td> <td>1\"/&gt;  </td></tr></td></tr></td></tr></td></tr></td></tr></td></tr></td></tr></td></tr></td></tr></td></tr></td></tr></td></tr></td></tr></td></tr></td></tr></td></tr></td></tr></td></tr></td></tr></td></tr></td></tr></td></tr></td></tr></td></tr></td></tr></td></tr></td></tr></td></tr></td></tr></td></tr></td></tr></td></tr></td></tr></td></tr>  | U-17 | " | " | V-675 | 122 | 1/2 | 2900 | 1\"/> <tr> <td>U-18</td> <td>"</td> <td>"</td> <td>V-675</td> <td>122</td> <td>1/2</td> <td>2900</td> <td>1\"/&gt;  <tr> <td>U-19</td> <td>"</td> <td>"</td> <td>V-675</td> <td>122</td> <td>1/2</td> <td>2900</td> <td>1\"/&gt;  <tr> <td>U-20</td> <td>"</td> <td>"</td> <td>V-675</td> <td>122</td> <td>1/2</td> <td>2900</td> <td>1\"/&gt;  <tr> <td>U-21</td> <td>"</td> <td>"</td> <td>V-675</td> <td>122</td> <td>1/2</td> <td>2900</td> <td>1\"/&gt;  <tr> <td>U-22</td> <td>"</td> <td>"</td> <td>V-675</td> <td>122</td> <td>1/2</td> <td>2900</td> <td>1\"/&gt;  <tr> <td>U-23</td> <td>"</td> <td>"</td> <td>V-675</td> <td>122</td> <td>1/2</td> <td>2900</td> <td>1\"/&gt;  <tr> <td>U-24</td> <td>"</td> <td>"</td> <td>V-675</td> <td>122</td> <td>1/2</td> <td>2900</td> <td>1\"/&gt;  <tr> <td>U-25</td> <td>"</td> <td>"</td> <td>V-675</td> <td>122</td> <td>1/2</td> <td>2900</td> <td>1\"/&gt;  <tr> <td>U-26</td> <td>"</td> <td>"</td> <td>V-675</td> <td>122</td> <td>1/2</td> <td>2900</td> <td>1\"/&gt;  <tr> <td>U-27</td> <td>"</td> <td>"</td> <td>V-675</td> <td>122</td> <td>1/2</td> <td>2900</td> <td>1\"/&gt;  <tr> <td>U-28</td> <td>"</td> <td>"</td> <td>V-675</td> <td>122</td> <td>1/2</td> <td>2900</td> <td>1\"/&gt;  <tr> <td>U-29</td> <td>"</td> <td>"</td> <td>V-675</td> <td>122</td> <td>1/2</td> <td>2900</td> <td>1\"/&gt;  <tr> <td>U-30</td> <td>"</td> <td>"</td> <td>V-675</td> <td>122</td> <td>1/2</td> <td>2900</td> <td>1\"/&gt;  <tr> <td>U-31</td> <td>"</td> <td>"</td> <td>V-675</td> <td>122</td> <td>1/2</td> <td>2900</td> <td>1\"/&gt;  <tr> <td>U-32</td> <td>"</td> <td>"</td> <td>V-675</td> <td>122</td> <td>1/2</td> <td>2900</td> <td>1\"/&gt;  <tr> <td>U-33</td> <td>"</td> <td>"</td> <td>V-675</td> <td>122</td> <td>1/2</td> <td>2900</td> <td>1\"/&gt;  <tr> <td>U-34</td> <td>"</td> <td>"</td> <td>V-675</td> <td>122</td> <td>1/2</td> <td>2900</td> <td>1\"/&gt;  <tr> <td>U-35</td> <td>"</td> <td>"</td> <td>V-675</td> <td>122</td> <td>1/2</td> <td>2900</td> <td>1\"/&gt;  <tr> <td>U-36</td> <td>"</td> <td>"</td> <td>V-675</td> <td>122</td> <td>1/2</td> <td>2900</td> <td>1\"/&gt;  <tr> <td>U-37</td> <td>"</td> <td>"</td> <td>V-675</td> <td>122</td> <td>1/2</td> <td>2900</td> <td>1\"/&gt;  <tr> <td>U-38</td> <td>"</td> <td>"</td> <td>V-675</td> <td>122</td> <td>1/2</td> <td>2900</td> <td>1\"/&gt;  <tr> <td>U-39</td> <td>"</td> <td>"</td> <td>V-675</td> <td>122</td> <td>1/2</td> <td>2900</td> <td>1\"/&gt;  <tr>
<td>U-40</td> <td>"</td> <td>"</td> <td>V-675</td> <td>122</td> <td>1/2</td> <td>2900</td> <td>1\"/&gt;  <tr> <td>U-41</td> <td>"</td> <td>"</td> <td>V-675</td> <td>122</td> <td>1/2</td> <td>2900</td> <td>1\"/&gt;  <tr> <td>U-42</td> <td>"</td> <td>"</td> <td>V-675</td> <td>122</td> <td>1/2</td> <td>2900</td> <td>1\"/&gt;  <tr> <td>U-43</td> <td>"</td> <td>"</td> <td>V-675</td> <td>122</td> <td>1/2</td> <td>2900</td> <td>1\"/&gt;  <tr> <td>U-44</td> <td>"</td> <td>"</td> <td>V-675</td> <td>122</td> <td>1/2</td> <td>2900</td> <td>1\"/&gt;  <tr> <td>U-45</td> <td>"</td> <td>"</td> <td>V-675</td> <td>122</td> <td>1/2</td> <td>2900</td> <td>1\"/&gt;  <tr> <td>U-46</td> <td>"</td> <td>"</td> <td>V-675</td> <td>122</td> <td>1/2</td> <td>2900</td> <td>1\"/&gt;  <tr> <td>U-47</td> <td>"</td> <td>"</td> <td>V-675</td> <td>122</td> <td>1/2</td> <td>2900</td> <td>1\"/&gt;  <tr> <td>U-48</td> <td>"</td> <td>"</td> <td>V-675</td> <td>122</td> <td>1/2</td> <td>2900</td> <td>1\"/&gt;  <tr> <td>U-49</td> <td>"</td> <td>"</td> <td>V-675</td> <td>122</td> <td>1/2</td> <td>2900</td> <td>1\"/&gt;  <tr> <td>U-50</td> <td>"</td> <td>"</td> <td>V-675</td> <td>122</td> <td>1/2</td> <td>2900</td> <td>1\"/&gt;  </td></tr></td></tr></td></tr></td></tr></td></tr></td></tr></td></tr></td></tr></td></tr></td></tr></td></tr></td></tr></td></tr></td></tr></td></tr></td></tr></td></tr></td></tr></td></tr></td></tr></td></tr></td></tr></td></tr></td></tr></td></tr></td></tr></td></tr></td></tr></td></tr></td></tr></td></tr></td></tr></td></tr>   | U-18 | " | " | V-675 | 122 | 1/2 | 2900 | 1\"/> <tr> <td>U-19</td> <td>"</td> <td>"</td> <td>V-675</td> <td>122</td> <td>1/2</td> <td>2900</td> <td>1\"/&gt;  <tr> <td>U-20</td> <td>"</td> <td>"</td> <td>V-675</td> <td>122</td> <td>1/2</td> <td>2900</td> <td>1\"/&gt;  <tr> <td>U-21</td> <td>"</td> <td>"</td> <td>V-675</td> <td>122</td> <td>1/2</td> <td>2900</td> <td>1\"/&gt;  <tr> <td>U-22</td> <td>"</td> <td>"</td> <td>V-675</td> <td>122</td> <td>1/2</td> <td>2900</td> <td>1\"/&gt;  <tr> <td>U-23</td> <td>"</td> <td>"</td> <td>V-675</td> <td>122</td> <td>1/2</td> <td>2900</td> <td>1\"/&gt;  <tr> <td>U-24</td> <td>"</td> <td>"</td> <td>V-675</td> <td>122</td> <td>1/2</td> <td>2900</td> <td>1\"/&gt;  <tr> <td>U-25</td> <td>"</td> <td>"</td> <td>V-675</td> <td>122</td> <td>1/2</td> <td>2900</td> <td>1\"/&gt;  <tr> <td>U-26</td> <td>"</td> <td>"</td> <td>V-675</td> <td>122</td> <td>1/2</td> <td>2900</td> <td>1\"/&gt;  <tr> <td>U-27</td> <td>"</td> <td>"</td> <td>V-675</td> <td>122</td> <td>1/2</td> <td>2900</td> <td>1\"/&gt;  <tr> <td>U-28</td> <td>"</td> <td>"</td> <td>V-675</td> <td>122</td> <td>1/2</td> <td>2900</td> <td>1\"/&gt;  <tr> <td>U-29</td> <td>"</td> <td>"</td> <td>V-675</td> <td>122</td> <td>1/2</td> <td>2900</td> <td>1\"/&gt;  <tr> <td>U-30</td> <td>"</td> <td>"</td> <td>V-675</td> <td>122</td> <td>1/2</td> <td>2900</td> <td>1\"/&gt;  <tr> <td>U-31</td> <td>"</td> <td>"</td> <td>V-675</td> <td>122</td> <td>1/2</td> <td>2900</td> <td>1\"/&gt;  <tr> <td>U-32</td> <td>"</td> <td>"</td> <td>V-675</td> <td>122</td> <td>1/2</td> <td>2900</td> <td>1\"/&gt;  <tr> <td>U-33</td> <td>"</td> <td>"</td> <td>V-675</td> <td>122</td> <td>1/2</td> <td>2900</td> <td>1\"/&gt;  <tr> <td>U-34</td> <td>"</td> <td>"</td> <td>V-675</td> <td>122</td> <td>1/2</td> <td>2900</td> <td>1\"/&gt;  <tr> <td>U-35</td> <td>"</td> <td>"</td> <td>V-675</td> <td>122</td> <td>1/2</td> <td>2900</td> <td>1\"/&gt;  <tr> <td>U-36</td> <td>"</td> <td>"</td> <td>V-675</td> <td>122</td> <td>1/2</td> <td>2900</td> <td>1\"/&gt;  <tr> <td>U-37</td> <td>"</td> <td>"</td> <td>V-675</td> <td>122</td> <td>1/2</td> <td>2900</td> <td>1\"/&gt;  <tr> <td>U-38</td> <td>"</td> <td>"</td> <td>V-675</td> <td>122</td> <td>1/2</td> <td>2900</td> <td>1\"/&gt;  <tr> <td>U-39</td> <td>"</td> <td>"</td> <td>V-675</td> <td>122</td> <td>1/2</td> <td>2900</td> <td>1\"/&gt;  <tr> <td>U-40</td> <td>"</td> <td>"</td> <td>V-675</td> <td>122</td> <td>1/2</td> <td>2900</td> <td>1\"/&gt;  <tr> <td>U-41</td> <td>"</td> <td>"</td> <td>V-675</td> <td>122</td> <td>1/2</td> <td>2900</td> <td>1\"/&gt;  <tr> <td>U-42</td> <td>"</td> <td>"</td> <td>V-675</td> <td>122</td> <td>1/2</td> <td>2900</td> <td>1\"/&gt;  <tr> <td>U-43</td> <td>"</td> <td>"</td> <td>V-675</td> <td>122</td> <td>1/2</td> <td>2900</td> <td>1\"/&gt;  <tr> <td>U-44</td> <td>"</td> <td>"</td> <td>V-675</td> <td>122</td> <td>1/2</td> <td>2900</td> <td>1\"/&gt;  <tr> <td>U-45</td> <td>"</td> <td>"</td> <td>V-675</td> <td>122</td> <td>1/2</td> <td>2900</td> <td>1\"/&gt;  <tr> <td>U-46</td> <td>"</td> <td>"</td> <td>V-675</td> <td>122</td> <td>1/2</td> <td>2900</td> <td>1\"/&gt;  <tr> <td>U-47</td> <td>"</td> <td>"</td> <td>V-675</td> <td>122</td> <td>1/2</td> <td>2900</td> <td>1\"/&gt;  <tr> <td>U-48</td> <td>"</td> <td>"</td> <td>V-675</td> <td>122</td> <td>1/2</td> <td>2900</td> <td>1\"/&gt;  <tr> <td>U-49</td> <td>"</td> <td>"</td> <td>V-675</td> <td>122</td> <td>1/2</td> <td>2900</td> <td>1\"/&gt;  <tr> <td>U-50</td> <td>"</td> <td>"</td> <td>V-675</td> <td>122</td> <td>1/2</td> <td>2900</td> <td>1\"/&gt;  </td></tr></td></tr></td></tr></td></tr></td></tr></td></tr></td></tr></td></tr></td></tr></td></tr></td></tr></td></tr></td></tr></td></tr></td></tr></td></tr></td></tr></td></tr></td></tr></td></tr></td></tr></td></tr></td></tr></td></tr></td></tr></td></tr></td></tr></td></tr></td></tr></td></tr></td></tr></td></tr>  | U-19 | " | " | V-675 | 122 | 1/2 | 2900 | 1\"/> <tr> <td>U-20</td> <td>"</td> <td>"</td> <td>V-675</td> <td>122</td> <td>1/2</td> <td>2900</td> <td>1\"/&gt;  <tr> <td>U-21</td> <td>"</td> <td>"</td> <td>V-675</td> <td>122</td> <td>1/2</td> <td>2900</td> <td>1\"/&gt;  <tr> <td>U-22</td> <td>"</td> <td>"</td> <td>V-675</td> <td>122</td> <td>1/2</td> <td>2900</td> <td>1\"/&gt;  <tr> <td>U-23</td> <td>"</td> <td>"</td> <td>V-675</td> <td>122</td> <td>1/2</td> <td>2900</td> <td>1\"/&gt;  <tr> <td>U-24</td> <td>"</td> <td>"</td> <td>V-675</td> <td>122</td> <td>1/2</td> <td>2900</td> <td>1\"/&gt;  <tr> <td>U-25</td> <td>"</td> <td>"</td> <td>V-675</td> <td>122</td> <td>1/2</td> <td>2900</td> <td>1\"/&gt;  <tr> <td>U-26</td> <td>"</td> <td>"</td> <td>V-675</td> <td>122</td> <td>1/2</td> <td>2900</td> <td>1\"/&gt;  <tr> <td>U-27</td> <td>"</td> <td>"</td> <td>V-675</td> <td>122</td> <td>1/2</td> <td>2900</td> <td>1\"/&gt;  <tr> <td>U-28</td> <td>"</td> <td>"</td> <td>V-675</td> <td>122</td> <td>1/2</td> <td>2900</td> <td>1\"/&gt;  <tr> <td>U-29</td> <td>"</td> <td>"</td> <td>V-675</td> <td>122</td> <td>1/2</td> <td>2900</td> <td>1\"/&gt;  <tr> <td>U-30</td> <td>"</td> <td>"</td> <td>V-675</td> <td>122</td> <td>1/2</td> <td>2900</td> <td>1\"/&gt;  <tr> <td>U-31</td> <td>"</td> <td>"</td> <td>V-675</td> <td>122</td> <td>1/2</td> <td>2900</td> <td>1\"/&gt;  <tr> <td>U-32</td> <td>"</td> <td>"</td> <td>V-675</td> <td>122</td> <td>1/2</td> <td>2900</td> <td>1\"/&gt;  <tr> <td>U-33</td> <td>"</td> <td>"</td> <td>V-675</td> <td>122</td> <td>1/2</td> <td>2900</td> <td>1\"/&gt;  <tr> <td>U-34</td> <td>"</td> <td>"</td> <td>V-675</td> <td>122</td> <td>1/2</td> <td>2900</td> <td>1\"/&gt; 
<tr> <td>U-35</td> <td>"</td> <td>"</td> <td>V-675</td> <td>122</td> <td>1/2</td> <td>2900</td> <td>1\"/&gt;  <tr> <td>U-36</td> <td>"</td> <td>"</td> <td>V-675</td> <td>122</td> <td>1/2</td> <td>2900</td> <td>1\"/&gt;  <tr> <td>U-37</td> <td>"</td> <td>"</td> <td>V-675</td> <td>122</td> <td>1/2</td> <td>2900</td> <td>1\"/&gt;  <tr> <td>U-38</td> <td>"</td> <td>"</td> <td>V-675</td> <td>122</td> <td>1/2</td> <td>2900</td> <td>1\"/&gt;  <tr> <td>U-39</td> <td>"</td> <td>"</td> <td>V-675</td> <td>122</td> <td>1/2</td> <td>2900</td> <td>1\"/&gt;  <tr> <td>U-40</td> <td>"</td> <td>"</td> <td>V-675</td> <td>122</td> <td>1/2</td> <td>2900</td> <td>1\"/&gt;  <tr> <td>U-41</td> <td>"</td> <td>"</td> <td>V-675</td> <td>122</td> <td>1/2</td> <td>2900</td> <td>1\"/&gt;  <tr> <td>U-42</td> <td>"</td> <td>"</td> <td>V-675</td> <td>122</td> <td>1/2</td> <td>2900</td> <td>1\"/&gt;  <tr> <td>U-43</td> <td>"</td> <td>"</td> <td>V-675</td> <td>122</td> <td>1/2</td> <td>2900</td> <td>1\"/&gt;  <tr> <td>U-44</td> <td>"</td> <td>"</td> <td>V-675</td> <td>122</td> <td>1/2</td> <td>2900</td> <td>1\"/&gt;  <tr> <td>U-45</td> <td>"</td> <td>"</td> <td>V-675</td> <td>122</td> <td>1/2</td> <td>2900</td> <td>1\"/&gt;  <tr> <td>U-46</td> <td>"</td> <td>"</td> <td>V-675</td> <td>122</td> <td>1/2</td> <td>2900</td> <td>1\"/&gt;  <tr> <td>U-47</td> <td>"</td> <td>"</td> <td>V-675</td> <td>122</td> <td>1/2</td> <td>2900</td> <td>1\"/&gt;  <tr> <td>U-48</td> <td>"</td> <td>"</td> <td>V-675</td> <td>122</td> <td>1/2</td> <td>2900</td> <td>1\"/&gt;  <tr> <td>U-49</td> <td>"</td> <td>"</td> <td>V-675</td> <td>122</td> <td>1/2</td> <td>2900</td> <td>1\"/&gt;  <tr> <td>U-50</td> <td>"</td> <td>"</td> <td>V-675</td> <td>122</td> <td>1/2</td> <td>2900</td> <td>1\"/&gt;  </td></tr></td></tr></td></tr></td></tr></td></tr></td></tr></td></tr></td></tr></td></tr></td></tr></td></tr></td></tr></td></tr></td></tr></td></tr></td></tr></td></tr></td></tr></td></tr></td></tr></td></tr></td></tr></td></tr></td></tr></td></tr></td></tr></td></tr></td></tr></td></tr></td></tr></td></tr>   | U-20 | " | " | V-675 | 122 | 1/2 | 2900 | 1\"/> <tr> <td>U-21</td> <td>"</td> <td>"</td> <td>V-675</td> <td>122</td> <td>1/2</td> <td>2900</td> <td>1\"/&gt;  <tr> <td>U-22</td> <td>"</td> <td>"</td> <td>V-675</td> <td>122</td> <td>1/2</td> <td>2900</td> <td>1\"/&gt;  <tr> <td>U-23</td> <td>"</td> <td>"</td> <td>V-675</td> <td>122</td> <td>1/2</td> <td>2900</td> <td>1\"/&gt;  <tr> <td>U-24</td> <td>"</td> <td>"</td> <td>V-675</td> <td>122</td> <td>1/2</td> <td>2900</td> <td>1\"/&gt;  <tr> <td>U-25</td> <td>"</td> <td>"</td> <td>V-675</td> <td>122</td> <td>1/2</td> <td>2900</td> <td>1\"/&gt;  <tr> <td>U-26</td> <td>"</td> <td>"</td> <td>V-675</td> <td>122</td> <td>1/2</td> <td>2900</td> <td>1\"/&gt;  <tr> <td>U-27</td> <td>"</td> <td>"</td> <td>V-675</td> <td>122</td> <td>1/2</td> <td>2900</td> <td>1\"/&gt;  <tr> <td>U-28</td> <td>"</td> <td>"</td> <td>V-675</td> <td>122</td> <td>1/2</td> <td>2900</td> <td>1\"/&gt;  <tr> <td>U-29</td> <td>"</td> <td>"</td> <td>V-675</td> <td>122</td> <td>1/2</td> <td>2900</td> <td>1\"/&gt;  <tr> <td>U-30</td> <td>"</td> <td>"</td> <td>V-675</td> <td>122</td> <td>1/2</td> <td>2900</td> <td>1\"/&gt;  <tr> <td>U-31</td> <td>"</td> <td>"</td> <td>V-675</td> <td>122</td> <td>1/2</td> <td>2900</td> <td>1\"/&gt;  <tr> <td>U-32</td> <td>"</td> <td>"</td> <td>V-675</td> <td>122</td> <td>1/2</td> <td>2900</td> <td>1\"/&gt;  <tr> <td>U-33</td> <td>"</td> <td>"</td> <td>V-675</td> <td>122</td> <td>1/2</td> <td>2900</td> <td>1\"/&gt;  <tr> <td>U-34</td> <td>"</td> <td>"</td> <td>V-675</td> <td>122</td> <td>1/2</td> <td>2900</td> <td>1\"/&gt;  <tr> <td>U-35</td> <td>"</td> <td>"</td> <td>V-675</td> <td>122</td> <td>1/2</td> <td>2900</td> <td>1\"/&gt;  <tr> <td>U-36</td> <td>"</td> <td>"</td> <td>V-675</td> <td>122</td> <td>1/2</td> <td>2900</td> <td>1\"/&gt;  <tr> <td>U-37</td> <td>"</td> <td>"</td> <td>V-675</td> <td>122</td> <td>1/2</td> <td>2900</td> <td>1\"/&gt;  <tr> <td>U-38</td> <td>"</td> <td>"</td> <td>V-675</td> <td>122</td> <td>1/2</td> <td>2900</td> <td>1\"/&gt;  <tr> <td>U-39</td> <td>"</td> <td>"</td> <td>V-675</td> <td>122</td> <td>1/2</td> <td>2900</td> <td>1\"/&gt;  <tr> <td>U-40</td> <td>"</td> <td>"</td> <td>V-675</td> <td>122</td> <td>1/2</td> <td>2900</td> <td>1\"/&gt;  <tr> <td>U-41</td> <td>"</td> <td>"</td> <td>V-675</td> <td>122</td> <td>1/2</td> <td>2900</td> <td>1\"/&gt;  <tr> <td>U-42</td> <td>"</td> <td>"</td> <td>V-675</td> <td>122</td> <td>1/2</td> <td>2900</td> <td>1\"/&gt;  <tr> <td>U-43</td> <td>"</td> <td>"</td> <td>V-675</td> <td>122</td> <td>1/2</td> <td>2900</td> <td>1\"/&gt;  <tr> <td>U-44</td> <td>"</td> <td>"</td> <td>V-675</td> <td>122</td> <td>1/2</td> <td>2900</td> <td>1\"/&gt;  <tr> <td>U-45</td> <td>"</td> <td>"</td> <td>V-675</td> <td>122</td> <td>1/2</td> <td>2900</td> <td>1\"/&gt;  <tr> <td>U-46</td> <td>"</td> <td>"</td> <td>V-675</td> <td>122</td> <td>1/2</td> <td>2900</td> <td>1\"/&gt;  <tr> <td>U-47</td> <td>"</td> <td>"</td> <td>V-675</td> <td>122</td> <td>1/2</td> <td>2900</td> <td>1\"/&gt;  <tr> <td>U-48</td> <td>"</td> <td>"</td> <td>V-675</td> <td>122</td> <td>1/2</td> <td>2900</td> <td>1\"/&gt;  <tr> <td>U-49</td> <td>"</td> <td>"</td> <td>V-675</td> <td>122</td> <td>1/2</td> <td>2900</td> <td>1\"/&gt;  <tr> <td>U-50</td> <td>"</td> <td>"</td> <td>V-675</td> <td>122</td> <td>1/2</td> <td>2900</td> <td>1\"/&gt;  </td></tr></td></tr></td></tr></td></tr></td></tr></td></tr></td></tr></td></tr></td></tr></td></tr></td></tr></td></tr></td></tr></td></tr></td></tr></td></tr></td></tr></td></tr></td></tr></td></tr></td></tr></td></tr></td></tr></td></tr></td></tr></td></tr></td></tr></td></tr></td></tr></td></tr>  | U-21 | " | " | V-675 | 122 | 1/2 | 2900 | 1\"/> <tr> <td>U-22</td> <td>"</td> <td>"</td> <td>V-675</td> <td>122</td> <td>1/2</td> <td>2900</td> <td>1\"/&gt;  <tr> <td>U-23</td> <td>"</td> <td>"</td> <td>V-675</td> <td>122</td> <td>1/2</td> <td>2900</td> <td>1\"/&gt;  <tr> <td>U-24</td> <td>"</td> <td>"</td> <td>V-675</td> <td>122</td> <td>1/2</td> <td>2900</td> <td>1\"/&gt;  <tr> <td>U-25</td> <td>"</td> <td>"</td> <td>V-675</td> <td>122</td> <td>1/2</td> <td>2900</td> <td>1\"/&gt;  <tr> <td>U-26</td> <td>"</td> <td>"</td> <td>V-675</td> <td>122</td> <td>1/2</td> <td>2900</td> <td>1\"/&gt;  <tr> <td>U-27</td> <td>"</td> <td>"</td> <td>V-675</td> <td>122</td> <td>1/2</td> <td>2900</td> <td>1\"/&gt;  <tr> <td>U-28</td> <td>"</td> <td>"</td> <td>V-675</td> <td>122</td> <td>1/2</td> <td>2900</td> <td>1\"/&gt;  <tr> <td>U-29</td> <td>"</td> <td>"</td> <td>V-675</td> <td>122</td> <td>1/2</td> <td>2900</td> <td>1\"/&gt;  <tr> <td>U-30</td> <td>"</td> <td>"</td> <td>V-675</td> <td>122</td> <td>1/2</td> <td>2900</td> <td>1\"/&gt;  <tr> <td>U-31</td> <td>"</td> <td>"</td> <td>V-675</td> <td>122</td> <td>1/2</td> <td>2900</td> <td>1\"/&gt;  <tr> <td>U-32</td> <td>"</td> <td>"</td> <td>V-675</td> <td>122</td> <td>1/2</td> <td>2900</td> <td>1\"/&gt;  <tr> <td>U-33</td> <td>"</td> <td>"</td> <td>V-675</td> <td>122</td> <td>1/2</td> <td>2900</td> <td>1\"/&gt;  <tr> <td>U-34</td> <td>"</td>
<td>"</td> <td>V-675</td> <td>122</td> <td>1/2</td> <td>2900</td> <td>1\"/&gt;  <tr> <td>U-35</td> <td>"</td> <td>"</td> <td>V-675</td> <td>122</td> <td>1/2</td> <td>2900</td> <td>1\"/&gt;  <tr> <td>U-36</td> <td>"</td> <td>"</td> <td>V-675</td> <td>122</td> <td>1/2</td> <td>2900</td> <td>1\"/&gt;  <tr> <td>U-37</td> <td>"</td> <td>"</td> <td>V-675</td> <td>122</td> <td>1/2</td> <td>2900</td> <td>1\"/&gt;  <tr> <td>U-38</td> <td>"</td> <td>"</td> <td>V-675</td> <td>122</td> <td>1/2</td> <td>2900</td> <td>1\"/&gt;  <tr> <td>U-39</td> <td>"</td> <td>"</td> <td>V-675</td> <td>122</td> <td>1/2</td> <td>2900</td> <td>1\"/&gt;  <tr> <td>U-40</td> <td>"</td> <td>"</td> <td>V-675</td> <td>122</td> <td>1/2</td> <td>2900</td> <td>1\"/&gt;  <tr> <td>U-41</td> <td>"</td> <td>"</td> <td>V-675</td> <td>122</td> <td>1/2</td> <td>2900</td> <td>1\"/&gt;  <tr> <td>U-42</td> <td>"</td> <td>"</td> <td>V-675</td> <td>122</td> <td>1/2</td> <td>2900</td> <td>1\"/&gt;  <tr> <td>U-43</td> <td>"</td> <td>"</td> <td>V-675</td> <td>122</td> <td>1/2</td> <td>2900</td> <td>1\"/&gt;  <tr> <td>U-44</td> <td>"</td> <td>"</td> <td>V-675</td> <td>122</td> <td>1/2</td> <td>2900</td> <td>1\"/&gt;  <tr> <td>U-45</td> <td>"</td> <td>"</td> <td>V-675</td> <td>122</td> <td>1/2</td> <td>2900</td> <td>1\"/&gt;  <tr> <td>U-46</td> <td>"</td> <td>"</td> <td>V-675</td> <td>122</td> <td>1/2</td> <td>2900</td> <td>1\"/&gt;  <tr> <td>U-47</td> <td>"</td> <td>"</td> <td>V-675</td> <td>122</td> <td>1/2</td> <td>2900</td> <td>1\"/&gt;  <tr> <td>U-48</td> <td>"</td> <td>"</td> <td>V-675</td> <td>122</td> <td>1/2</td> <td>2900</td> <td>1\"/&gt;  <tr> <td>U-49</td> <td>"</td> <td>"</td> <td>V-675</td> <td>122</td> <td>1/2</td> <td>2900</td> <td>1\"/&gt;  <tr> <td>U-50</td> <td>"</td> <td>"</td> <td>V-675</td> <td>122</td> <td>1/2</td> <td>2900</td> <td>1\"/&gt;  </td></tr></td></tr></td></tr></td></tr></td></tr></td></tr></td></tr></td></tr></td></tr></td></tr></td></tr></td></tr></td></tr></td></tr></td></tr></td></tr></td></tr></td></tr></td></tr></td></tr></td></tr></td></tr></td></tr></td></tr></td></tr></td></tr></td></tr></td></tr></td></tr>   | U-22 | " | " | V-675 | 122 | 1/2 | 2900 | 1\"/> <tr> <td>U-23</td> <td>"</td> <td>"</td> <td>V-675</td> <td>122</td> <td>1/2</td> <td>2900</td> <td>1\"/&gt;  <tr> <td>U-24</td> <td>"</td> <td>"</td> <td>V-675</td> <td>122</td> <td>1/2</td> <td>2900</td> <td>1\"/&gt;  <tr> <td>U-25</td> <td>"</td> <td>"</td> <td>V-675</td> <td>122</td> <td>1/2</td> <td>2900</td> <td>1\"/&gt;  <tr> <td>U-26</td> <td>"</td> <td>"</td> <td>V-675</td> <td>122</td> <td>1/2</td> <td>2900</td> <td>1\"/&gt;  <tr> <td>U-27</td> <td>"</td> <td>"</td> <td>V-675</td> <td>122</td> <td>1/2</td> <td>2900</td> <td>1\"/&gt;  <tr> <td>U-28</td> <td>"</td> <td>"</td> <td>V-675</td> <td>122</td> <td>1/2</td> <td>2900</td> <td>1\"/&gt;  <tr> <td>U-29</td> <td>"</td> <td>"</td> <td>V-675</td> <td>122</td> <td>1/2</td> <td>2900</td> <td>1\"/&gt;  <tr> <td>U-30</td> <td>"</td> <td>"</td> <td>V-675</td> <td>122</td> <td>1/2</td> <td>2900</td> <td>1\"/&gt;  <tr> <td>U-31</td> <td>"</td> <td>"</td> <td>V-675</td> <td>122</td> <td>1/2</td> <td>2900</td> <td>1\"/&gt;  <tr> <td>U-32</td> <td>"</td> <td>"</td> <td>V-675</td> <td>122</td> <td>1/2</td> <td>2900</td> <td>1\"/&gt;  <tr> <td>U-33</td> <td>"</td> <td>"</td> <td>V-675</td> <td>122</td> <td>1/2</td> <td>2900</td> <td>1\"/&gt;  <tr> <td>U-34</td> <td>"</td> <td>"</td> <td>V-675</td> <td>122</td> <td>1/2</td> <td>2900</td> <td>1\"/&gt;  <tr> <td>U-35</td> <td>"</td> <td>"</td> <td>V-675</td> <td>122</td> <td>1/2</td> <td>2900</td> <td>1\"/&gt;  <tr> <td>U-36</td> <td>"</td> <td>"</td> <td>V-675</td> <td>122</td> <td>1/2</td> <td>2900</td> <td>1\"/&gt;  <tr> <td>U-37</td> <td>"</td> <td>"</td> <td>V-675</td> <td>122</td> <td>1/2</td> <td>2900</td> <td>1\"/&gt;  <tr> <td>U-38</td> <td>"</td> <td>"</td> <td>V-675</td> <td>122</td> <td>1/2</td> <td>2900</td> <td>1\"/&gt;  <tr> <td>U-39</td> <td>"</td> <td>"</td> <td>V-675</td> <td>122</td> <td>1/2</td> <td>2900</td> <td>1\"/&gt;  <tr> <td>U-40</td> <td>"</td> <td>"</td> <td>V-675</td> <td>122</td> <td>1/2</td> <td>2900</td> <td>1\"/&gt;  <tr> <td>U-41</td> <td>"</td> <td>"</td> <td>V-675</td> <td>122</td> <td>1/2</td> <td>2900</td> <td>1\"/&gt;  <tr> <td>U-42</td> <td>"</td> <td>"</td> <td>V-675</td> <td>122</td> <td>1/2</td> <td>2900</td> <td>1\"/&gt;  <tr> <td>U-43</td> <td>"</td> <td>"</td> <td>V-675</td> <td>122</td> <td>1/2</td> <td>2900</td> <td>1\"/&gt;  <tr> <td>U-44</td> <td>"</td> <td>"</td> <td>V-675</td> <td>122</td> <td>1/2</td> <td>2900</td> <td>1\"/&gt;  <tr> <td>U-45</td> <td>"</td> <td>"</td> <td>V-675</td> <td>122</td> <td>1/2</td> <td>2900</td> <td>1\"/&gt;  <tr> <td>U-46</td> <td>"</td> <td>"</td> <td>V-675</td> <td>122</td> <td>1/2</td> <td>2900</td> <td>1\"/&gt;  <tr> <td>U-47</td> <td>"</td> <td>"</td> <td>V-675</td> <td>122</td> <td>1/2</td> <td>2900</td> <td>1\"/&gt;  <tr> <td>U-48</td> <td>"</td> <td>"</td> <td>V-675</td> <td>122</td> <td>1/2</td> <td>2900</td> <td>1\"/&gt;  <tr> <td>U-49</td> <td>"</td> <td>"</td> <td>V-675</td> <td>122</td> <td>1/2</td> <td>2900</td> <td>1\"/&gt;  <tr> <td>U-50</td> <td>"</td> <td>"</td> <td>V-675</td> <td>122</td> <td>1/2</td> <td>2900</td> <td>1\"/&gt;  </td></tr></td></tr></td></tr></td></tr></td></tr></td></tr></td></tr></td></tr></td></tr></td></tr></td></tr></td></tr></td></tr></td></tr></td></tr></td></tr></td></tr></td></tr></td></tr></td></tr></td></tr></td></tr></td></tr></td></tr></td></tr></td></tr></td></tr></td></tr>   | U-23 | " | " | V-675 | 122 | 1/2 | 2900 | 1\"/> <tr> <td>U-24</td> <td>"</td> <td>"</td> <td>V-675</td> <td>122</td> <td>1/2</td> <td>2900</td> <td>1\"/&gt;  <tr> <td>U-25</td> <td>"</td> <td>"</td> <td>V-675</td> <td>122</td> <td>1/2</td> <td>2900</td> <td>1\"/&gt;  <tr> <td>U-26</td> <td>"</td> <td>"</td> <td>V-675</td> <td>122</td> <td>1/2</td> <td>2900</td> <td>1\"/&gt;  <tr> <td>U-27</td> <td>"</td> <td>"</td> <td>V-675</td> <td>122</td> <td>1/2</td> <td>2900</td> <td>1\"/&gt;  <tr> <td>U-28</td> <td>"</td> <td>"</td> <td>V-675</td> <td>122</td> <td>1/2</td> <td>2900</td> <td>1\"/&gt;  <tr> <td>U-29</td> <td>"</td> <td>"</td> <td>V-675</td> <td>122</td> <td>1/2</td> <td>2900</td> <td>1\"/&gt;  <tr> <td>U-30</td> <td>"</td> <td>"</td> <td>V-675</td> <td>122</td> <td>1/2</td> <td>2900</td> <td>1\"/&gt;  <tr> <td>U-31</td> <td>"</td> <td>"</td> <td>V-675</td> <td>122</td> <td>1/2</td> <td>2900</td> <td>1\"/&gt;  <tr> <td>U-32</td> <td>"</td> <td>"</td> <td>V-675</td> <td>122</td> <td>1/2</td> <td>2900</td> <td>1\"/&gt;  <tr> <td>U-33</td> <td>"</td> <td>"</td> <td>V-675</td> <td>122</td> <td>1/2</td> <td>2900</td> <td>1\"/&gt;  <tr> <td>U-34</td> <td>"</td> <td>"</td> <td>V-675</td> <td>122</td> <td>1/2</td> <td>2900</td> <td>1\"/&gt;  <tr> <td>U-35</td> <td>"</td> <td>"</td> <td>V-675</td> <td>122</td> <td>1/2</td> <td>2900</td> <td>1\"/&gt;  <tr> <td>U-36</td> <td>"</td> <td>"</td> <td>V-675</td> <td>122</td> <td>1/2</td> <td>2900</td> <td>1\"/&gt;  <tr> <td>U-37</td> <td>"</td> <td>"</td> <td>V-675</td> <td>122</td> <td>1/2</td> <td>2900</td>
<td>1\"/&gt;  <tr> <td>U-38</td> <td>"</td> <td>"</td> <td>V-675</td> <td>122</td> <td>1/2</td> <td>2900</td> <td>1\"/&gt;  <tr> <td>U-39</td> <td>"</td> <td>"</td> <td>V-675</td> <td>122</td> <td>1/2</td> <td>2900</td> <td>1\"/&gt;  <tr> <td>U-40</td> <td>"</td> <td>"</td> <td>V-675</td> <td>122</td> <td>1/2</td> <td>2900</td> <td>1\"/&gt;  <tr> <td>U-41</td> <td>"</td> <td>"</td> <td>V-675</td> <td>122</td> <td>1/2</td> <td>2900</td> <td>1\"/&gt;  <tr> <td>U-42</td> <td>"</td> <td>"</td> <td>V-675</td> <td>122</td> <td>1/2</td> <td>2900</td> <td>1\"/&gt;  <tr> <td>U-43</td> <td>"</td> <td>"</td> <td>V-675</td> <td>122</td> <td>1/2</td> <td>2900</td> <td>1\"/&gt;  <tr> <td>U-44</td> <td>"</td> <td>"</td> <td>V-675</td> <td>122</td> <td>1/2</td> <td>2900</td> <td>1\"/&gt;  <tr> <td>U-45</td> <td>"</td> <td>"</td> <td>V-675</td> <td>122</td> <td>1/2</td> <td>2900</td> <td>1\"/&gt;  <tr> <td>U-46</td> <td>"</td> <td>"</td> <td>V-675</td> <td>122</td> <td>1/2</td> <td>2900</td> <td>1\"/&gt;  <tr> <td>U-47</td> <td>"</td> <td>"</td> <td>V-675</td> <td>122</td> <td>1/2</td> <td>2900</td> <td>1\"/&gt;  <tr> <td>U-48</td> <td>"</td> <td>"</td> <td>V-675</td> <td>122</td> <td>1/2</td> <td>2900</td> <td>1\"/&gt;  <tr> <td>U-49</td> <td>"</td> <td>"</td> <td>V-675</td> <td>122</td> <td>1/2</td> <td>2900</td> <td>1\"/&gt;  <tr> <td>U-50</td> <td>"</td> <td>"</td> <td>V-675</td> <td>122</td> <td>1/2</td> <td>2900</td> <td>1\"/&gt;  </td></tr></td></tr></td></tr></td></tr></td></tr></td></tr></td></tr></td></tr></td></tr></td></tr></td></tr></td></tr></td></tr></td></tr></td></tr></td></tr></td></tr></td></tr></td></tr></td></tr></td></tr></td></tr></td></tr></td></tr></td></tr></td></tr></td></tr>   | U-24 | " | " | V-675 | 122 | 1/2 | 2900 | 1\"/> <tr> <td>U-25</td> <td>"</td> <td>"</td> <td>V-675</td> <td>122</td> <td>1/2</td> <td>2900</td> <td>1\"/&gt;  <tr> <td>U-26</td> <td>"</td> <td>"</td> <td>V-675</td> <td>122</td> <td>1/2</td> <td>2900</td> <td>1\"/&gt;  <tr> <td>U-27</td> <td>"</td> <td>"</td> <td>V-675</td> <td>122</td> <td>1/2</td> <td>2900</td> <td>1\"/&gt;  <tr> <td>U-28</td> <td>"</td> <td>"</td> <td>V-675</td> <td>122</td> <td>1/2</td> <td>2900</td> <td>1\"/&gt;  <tr> <td>U-29</td> <td>"</td> <td>"</td> <td>V-675</td> <td>122</td> <td>1/2</td> <td>2900</td> <td>1\"/&gt;  <tr> <td>U-30</td> <td>"</td> <td>"</td> <td>V-675</td> <td>122</td> <td>1/2</td> <td>2900</td> <td>1\"/&gt;  <tr> <td>U-31</td> <td>"</td> <td>"</td> <td>V-675</td> <td>122</td> <td>1/2</td> <td>2900</td> <td>1\"/&gt;  <tr> <td>U-32</td> <td>"</td> <td>"</td> <td>V-675</td> <td>122</td> <td>1/2</td> <td>2900</td> <td>1\"/&gt;  <tr> <td>U-33</td> <td>"</td> <td>"</td> <td>V-675</td> <td>122</td> <td>1/2</td> <td>2900</td> <td>1\"/&gt;  <tr> <td>U-34</td> <td>"</td> <td>"</td> <td>V-675</td> <td>122</td> <td>1/2</td> <td>2900</td> <td>1\"/&gt;  <tr> <td>U-35</td> <td>"</td> <td>"</td> <td>V-675</td> <td>122</td> <td>1/2</td> <td>2900</td> <td>1\"/&gt;  <tr> <td>U-36</td> <td>"</td> <td>"</td> <td>V-675</td> <td>122</td> <td>1/2</td> <td>2900</td> <td>1\"/&gt;  <tr> <td>U-37</td> <td>"</td> <td>"</td> <td>V-675</td> <td>122</td> <td>1/2</td> <td>2900</td> <td>1\"/&gt;  <tr> <td>U-38</td> <td>"</td> <td>"</td> <td>V-675</td> <td>122</td> <td>1/2</td> <td>2900</td> <td>1\"/&gt;  <tr> <td>U-39</td> <td>"</td> <td>"</td> <td>V-675</td> <td>122</td> <td>1/2</td> <td>2900</td> <td>1\"/&gt;  <tr> <td>U-40</td> <td>"</td> <td>"</td> <td>V-675</td> <td>122</td> <td>1/2</td> <td>2900</td> <td>1\"/&gt;  <tr> <td>U-41</td> <td>"</td> <td>"</td> <td>V-675</td> <td>122</td> <td>1/2</td> <td>2900</td> <td>1\"/&gt;  <tr> <td>U-42</td> <td>"</td> <td>"</td> <td>V-675</td> <td>122</td> <td>1/2</td> <td>2900</td> <td>1\"/&gt;  <tr> <td>U-43</td> <td>"</td> <td>"</td> <td>V-675</td> <td>122</td> <td>1/2</td> <td>2900</td> <td>1\"/&gt;  <tr> <td>U-44</td> <td>"</td> <td>"</td> <td>V-675</td> <td>122</td> <td>1/2</td> <td>2900</td> <td>1\"/&gt;  <tr> <td>U-45</td> <td>"</td> <td>"</td> <td>V-675</td> <td>122</td> <td>1/2</td> <td>2900</td> <td>1\"/&gt;  <tr> <td>U-46</td> <td>"</td> <td>"</td> <td>V-675</td> <td>122</td> <td>1/2</td> <td>2900</td> <td>1\"/&gt;  <tr> <td>U-47</td> <td>"</td> <td>"</td> <td>V-675</td> <td>122</td> <td>1/2</td> <td>2900</td> <td>1\"/&gt;  <tr> <td>U-48</td> <td>"</td> <td>"</td> <td>V-675</td> <td>122</td> <td>1/2</td> <td>2900</td> <td>1\"/&gt;  <tr> <td>U-49</td> <td>"</td> <td>"</td> <td>V-675</td> <td>122</td> <td>1/2</td> <td>2900</td> <td>1\"/&gt;  <tr> <td>U-50</td> <td>"</td> <td>"</td> <td>V-675</td> <td>122</td> <td>1/2</td> <td>2900</td> <td>1\"/&gt;  </td></tr></td></tr></td></tr></td></tr></td></tr></td></tr></td></tr></td></tr></td></tr></td></tr></td></tr></td></tr></td></tr></td></tr></td></tr></td></tr></td></tr></td></tr></td></tr></td></tr></td></tr></td></tr></td></tr></td></tr></td></tr></td></tr>   | U-25 | " | " | V-675 | 122 | 1/2 | 2900 | 1\"/> <tr> <td>U-26</td> <td>"</td> <td>"</td> <td>V-675</td> <td>122</td> <td>1/2</td> <td>2900</td> <td>1\"/&gt;  <tr> <td>U-27</td> <td>"</td> <td>"</td> <td>V-675</td> <td>122</td> <td>1/2</td> <td>2900</td> <td>1\"/&gt;  <tr> <td>U-28</td> <td>"</td> <td>"</td> <td>V-675</td> <td>122</td> <td>1/2</td> <td>2900</td> <td>1\"/&gt;  <tr> <td>U-29</td> <td>"</td> <td>"</td> <td>V-675</td> <td>122</td> <td>1/2</td> <td>2900</td> <td>1\"/&gt;  <tr> <td>U-30</td> <td>"</td> <td>"</td> <td>V-675</td> <td>122</td> <td>1/2</td> <td>2900</td> <td>1\"/&gt;  <tr> <td>U-31</td> <td>"</td> <td>"</td> <td>V-675</td> <td>122</td> <td>1/2</td> <td>2900</td> <td>1\"/&gt;  <tr> <td>U-32</td> <td>"</td> <td>"</td> <td>V-675</td> <td>122</td> <td>1/2</td> <td>2900</td> <td>1\"/&gt;  <tr> <td>U-33</td> <td>"</td> <td>"</td> <td>V-675</td> <td>122</td> <td>1/2</td> <td>2900</td> <td>1\"/&gt;  <tr> <td>U-34</td> <td>"</td> <td>"</td> <td>V-675</td> <td>122</td> <td>1/2</td> <td>2900</td> <td>1\"/&gt;  <tr> <td>U-35</td> <td>"</td> <td>"</td> <td>V-675</td> <td>122</td> <td>1/2</td> <td>2900</td> <td>1\"/&gt;  <tr> <td>U-36</td> <td>"</td> <td>"</td> <td>V-675</td> <td>122</td> <td>1/2</td> <td>2900</td> <td>1\"/&gt;  <tr> <td>U-37</td> <td>"</td> <td>"</td> <td>V-675</td> <td>122</td> <td>1/2</td> <td>2900</td> <td>1\"/&gt;  <tr> <td>U-38</td> <td>"</td> <td>"</td> <td>V-675</td> <td>122</td> <td>1/2</td> <td>2900</td> <td>1\"/&gt;  <tr> <td>U-39</td> <td>"</td> <td>"</td> <td>V-675</td> <td>122</td> <td>1/2</td> <td>2900</td> <td>1\"/&gt;  <tr> <td>U-40</td> <td>"</td> <td>"</td> <td>V-675</td> <td>122</td> <td>1/2</td> <td>2900</td> <td>1\"/&gt;  <tr> <td>U-41</td> <td>"</td> <td>"</td> <td>V-675</td> <td>122</td> <td>1/2</td> <td>2900</td> <td>1\"/&gt;  <tr> <td>U-42</td> <td>"</td> <td>"</td> <td>V-675</td> <td>122</td> <td>1/2</td> <td>2900</td> <td>1\"/&gt;  <tr> <td>U-43</td> <td>"</td> <td>"</td> <td>V-675</td> <td>122</td> <td>1/2</td> <td>2900</td> <td>1\"/&gt;  <tr> <td>U-44</td> <td>"</td> <td>"</td> <td>V-675</td> <td>122</td> <td>1/2</td> <td>2900</td> <td>1\"/&gt;  <tr> <td>U-45</td> <td>"</td> <td>"</td> <td>V-675</td> <td>122</td> <td>1/2</td>
<td>2900</td> <td>1\"/&gt;  <tr> <td>U-46</td> <td>"</td> <td>"</td> <td>V-675</td> <td>122</td> <td>1/2</td> <td>2900</td> <td>1\"/&gt;  <tr> <td>U-47</td> <td>"</td> <td>"</td> <td>V-675</td> <td>122</td> <td>1/2</td> <td>2900</td> <td>1\"/&gt;  <tr> <td>U-48</td> <td>"</td> <td>"</td> <td>V-675</td> <td>122</td> <td>1/2</td> <td>2900</td> <td>1\"/&gt;  <tr> <td>U-49</td> <td>"</td> <td>"</td> <td>V-675</td> <td>122</td> <td>1/2</td> <td>2900</td> <td>1\"/&gt;  <tr> <td>U-50</td> <td>"</td> <td>"</td> <td>V-675</td> <td>122</td> <td>1/2</td> <td>2900</td> <td>1\"/&gt;  </td></tr></td></tr></td></tr></td></tr></td></tr></td></tr></td></tr></td></tr></td></tr></td></tr></td></tr></td></tr></td></tr></td></tr></td></tr></td></tr></td></tr></td></tr></td></tr></td></tr></td></tr></td></tr></td></tr></td></tr></td></tr>   | U-26 | " | " | V-675 | 122 | 1/2 | 2900 | 1\"/> <tr> <td>U-27</td> <td>"</td> <td>"</td> <td>V-675</td> <td>122</td> <td>1/2</td> <td>2900</td> <td>1\"/&gt;  <tr> <td>U-28</td> <td>"</td> <td>"</td> <td>V-675</td> <td>122</td> <td>1/2</td> <td>2900</td> <td>1\"/&gt;  <tr> <td>U-29</td> <td>"</td> <td>"</td> <td>V-675</td> <td>122</td> <td>1/2</td> <td>2900</td> <td>1\"/&gt;  <tr> <td>U-30</td> <td>"</td> <td>"</td> <td>V-675</td> <td>122</td> <td>1/2</td> <td>2900</td> <td>1\"/&gt;  <tr> <td>U-31</td> <td>"</td> <td>"</td> <td>V-675</td> <td>122</td> <td>1/2</td> <td>2900</td> <td>1\"/&gt;  <tr> <td>U-32</td> <td>"</td> <td>"</td> <td>V-675</td> <td>122</td> <td>1/2</td> <td>2900</td> <td>1\"/&gt;  <tr> <td>U-33</td> <td>"</td> <td>"</td> <td>V-675</td> <td>122</td> <td>1/2</td> <td>2900</td> <td>1\"/&gt;  <tr> <td>U-34</td> <td>"</td> <td>"</td> <td>V-675</td> <td>122</td> <td>1/2</td> <td>2900</td> <td>1\"/&gt;  <tr> <td>U-35</td> <td>"</td> <td>"</td> <td>V-675</td> <td>122</td> <td>1/2</td> <td>2900</td> <td>1\"/&gt;  <tr> <td>U-36</td> <td>"</td> <td>"</td> <td>V-675</td> <td>122</td> <td>1/2</td> <td>2900</td> <td>1\"/&gt;  <tr> <td>U-37</td> <td>"</td> <td>"</td> <td>V-675</td> <td>122</td> <td>1/2</td> <td>2900</td> <td>1\"/&gt;  <tr> <td>U-38</td> <td>"</td> <td>"</td> <td>V-675</td> <td>122</td> <td>1/2</td> <td>2900</td> <td>1\"/&gt;  <tr> <td>U-39</td> <td>"</td> <td>"</td> <td>V-675</td> <td>122</td> <td>1/2</td> <td>2900</td> <td>1\"/&gt;  <tr> <td>U-40</td> <td>"</td> <td>"</td> <td>V-675</td> <td>122</td> <td>1/2</td> <td>2900</td> <td>1\"/&gt;  <tr> <td>U-41</td> <td>"</td> <td>"</td> <td>V-675</td> <td>122</td> <td>1/2</td> <td>2900</td> <td>1\"/&gt;  <tr> <td>U-42</td> <td>"</td> <td>"</td> <td>V-675</td> <td>122</td> <td>1/2</td> <td>2900</td> <td>1\"/&gt;  <tr> <td>U-43</td> <td>"</td> <td>"</td> <td>V-675</td> <td>122</td> <td>1/2</td> <td>2900</td> <td>1\"/&gt;  <tr> <td>U-44</td> <td>"</td> <td>"</td> <td>V-675</td> <td>122</td> <td>1/2</td> <td>2900</td> <td>1\"/&gt;  <tr> <td>U-45</td> <td>"</td> <td>"</td> <td>V-675</td> <td>122</td> <td>1/2</td> <td>2900</td> <td>1\"/&gt;  <tr> <td>U-46</td> <td>"</td> <td>"</td> <td>V-675</td> <td>122</td> <td>1/2</td> <td>2900</td> <td>1\"/&gt;  <tr> <td>U-47</td> <td>"</td> <td>"</td> <td>V-675</td> <td>122</td> <td>1/2</td> <td>2900</td> <td>1\"/&gt;  <tr> <td>U-48</td> <td>"</td> <td>"</td> <td>V-675</td> <td>122</td> <td>1/2</td> <td>2900</td> <td>1\"/&gt;  <tr> <td>U-49</td> <td>"</td> <td>"</td> <td>V-675</td> <td>122</td> <td>1/2</td> <td>2900</td> <td>1\"/&gt;  <tr> <td>U-50</td> <td>"</td> <td>"</td> <td>V-675</td> <td>122</td> <td>1/2</td> <td>2900</td> <td>1\"/&gt;  </td></tr></td></tr></td></tr></td></tr></td></tr></td></tr></td></tr></td></tr></td></tr></td></tr></td></tr></td></tr></td></tr></td></tr></td></tr></td></tr></td></tr></td></tr></td></tr></td></tr></td></tr></td></tr></td></tr></td></tr>   | U-27 | " | " | V-675 | 122 | 1/2 | 2900 | 1\"/> <tr> <td>U-28</td> <td>"</td> <td>"</td> <td>V-675</td> <td>122</td> <td>1/2</td> <td>2900</td> <td>1\"/&gt;  <tr> <td>U-29</td> <td>"</td> <td>"</td> <td>V-675</td> <td>122</td> <td>1/2</td> <td>2900</td> <td>1\"/&gt;  <tr> <td>U-30</td> <td>"</td> <td>"</td> <td>V-675</td> <td>122</td> <td>1/2</td> <td>2900</td> <td>1\"/&gt;  <tr> <td>U-31</td> <td>"</td> <td>"</td> <td>V-675</td> <td>122</td> <td>1/2</td> <td>2900</td> <td>1\"/&gt;  <tr> <td>U-32</td> <td>"</td> <td>"</td> <td>V-675</td> <td>122</td> <td>1/2</td> <td>2900</td> <td>1\"/&gt;  <tr> <td>U-33</td> <td>"</td> <td>"</td> <td>V-675</td> <td>122</td> <td>1/2</td> <td>2900</td> <td>1\"/&gt;  <tr> <td>U-34</td> <td>"</td> <td>"</td> <td>V-675</td> <td>122</td> <td>1/2</td> <td>2900</td> <td>1\"/&gt;  <tr> <td>U-35</td> <td>"</td> <td>"</td> <td>V-675</td> <td>122</td> <td>1/2</td> <td>2900</td> <td>1\"/&gt;  <tr> <td>U-36</td> <td>"</td> <td>"</td> <td>V-675</td> <td>122</td> <td>1/2</td> <td>2900</td> <td>1\"/&gt;  <tr> <td>U-37</td> <td>"</td> <td>"</td> <td>V-675</td> <td>122</td> <td>1/2</td> <td>2900</td> <td>1\"/&gt;  <tr> <td>U-38</td> <td>"</td> <td>"</td> <td>V-675</td> <td>122</td> <td>1/2</td> <td>2900</td> <td>1\"/&gt;  <tr> <td>U-39</td> <td>"</td> <td>"</td> <td>V-675</td> <td>122</td> <td>1/2</td> <td>2900</td> <td>1\"/&gt;  <tr> <td>U-40</td> <td>"</td> <td>"</td> <td>V-675</td> <td>122</td> <td>1/2</td> <td>2900</td> <td>1\"/&gt;  <tr> <td>U-41</td> <td>"</td> <td>"</td> <td>V-675</td> <td>122</td> <td>1/2</td> <td>2900</td> <td>1\"/&gt;  <tr> <td>U-42</td> <td>"</td> <td>"</td> <td>V-675</td> <td>122</td> <td>1/2</td> <td>2900</td> <td>1\"/&gt;  <tr> <td>U-43</td> <td>"</td> <td>"</td> <td>V-675</td> <td>122</td> <td>1/2</td> <td>2900</td> <td>1\"/&gt;  <tr> <td>U-44</td> <td>"</td> <td>"</td> <td>V-675</td> <td>122</td> <td>1/2</td> <td>2900</td> <td>1\"/&gt;  <tr> <td>U-45</td> <td>"</td> <td>"</td> <td>V-675</td> <td>122</td> <td>1/2</td> <td>2900</td> <td>1\"/&gt;  <tr> <td>U-46</td> <td>"</td> <td>"</td> <td>V-675</td> <td>122</td> <td>1/2</td> <td>2900</td> <td>1\"/&gt;  <tr> <td>U-47</td> <td>"</td> <td>"</td> <td>V-675</td> <td>122</td> <td>1/2</td> <td>2900</td> <td>1\"/&gt;  <tr> <td>U-48</td> <td>"</td> <td>"</td> <td>V-675</td> <td>122</td> <td>1/2</td> <td>2900</td> <td>1\"/&gt;  <tr> <td>U-49</td> <td>"</td> <td>"</td> <td>V-675</td> <td>122</td> <td>1/2</td> <td>2900</td> <td>1\"/&gt;  <tr> <td>U-50</td> <td>"</td> <td>"</td> <td>V-675</td> <td>122</td> <td>1/2</td> <td>2900</td> <td>1\"/&gt;  </td></tr></td></tr></td></tr></td></tr></td></tr></td></tr></td></tr></td></tr></td></tr></td></tr></td></tr></td></tr></td></tr></td></tr></td></tr></td></tr></td></tr></td></tr></td></tr></td></tr></td></tr></td></tr></td></tr>   
   | U-28 | " | " | V-675 | 122 | 1/2 | 2900 | 1\"/> <tr> <td>U-29</td> <td>"</td> <td>"</td> <td>V-675</td> <td>122</td> <td>1/2</td> <td>2900</td> <td>1\"/&gt;  <tr> <td>U-30</td> <td>"</td> <td>"</td> <td>V-675</td> <td>122</td> <td>1/2</td> <td>2900</td> <td>1\"/&gt;  <tr> <td>U-31</td> <td>"</td> <td>"</td> <td>V-675</td> <td>122</td> <td>1/2</td> <td>2900</td> <td>1\"/&gt;  <tr> <td>U-32</td> <td>"</td> <td>"</td> <td>V-675</td> <td>122</td> <td>1/2</td> <td>2900</td> <td>1\"/&gt;  <tr> <td>U-33</td> <td>"</td> <td>"</td> <td>V-675</td> <td>122</td> <td>1/2</td> <td>2900</td> <td>1\"/&gt;  <tr> <td>U-34</td> <td>"</td> <td>"</td> <td>V-675</td> <td>122</td> <td>1/2</td> <td>2900</td> <td>1\"/&gt;  <tr> <td>U-35</td> <td>"</td> <td>"</td> <td>V-675</td> <td>122</td> <td>1/2</td> <td>2900</td> <td>1\"/&gt;  <tr> <td>U-36</td> <td>"</td> <td>"</td> <td>V-675</td> <td>122</td> <td>1/2</td> <td>2900</td> <td>1\"/&gt;  <tr> <td>U-37</td> <td>"</td> <td>"</td> <td>V-675</td> <td>122</td> <td>1/2</td> <td>2900</td> <td>1\"/&gt;  <tr> <td>U-38</td> <td>"</td> <td>"</td> <td>V-675</td> <td>122</td> <td>1/2</td> <td>2900</td> <td>1\"/&gt;  <tr> <td>U-39</td> <td>"</td> <td>"</td> <td>V-675</td> <td>122</td> <td>1/2</td> <td>2900</td> <td>1\"/&gt;  <tr> <td>U-40</td> <td>"</td> <td>"</td> <td>V-675</td> <td>122</td> <td>1/2</td> <td>2900</td> <td>1\"/&gt;  <tr> <td>U-41</td> <td>"</td> <td>"</td> <td>V-675</td> <td>122</td> <td>1/2</td> <td>2900</td> <td>1\"/&gt;  <tr> <td>U-42</td> <td>"</td> <td>"</td> <td>V-675</td> <td>122</td> <td>1/2</td> <td>2900</td> <td>1\"/&gt;  <tr> <td>U-43</td> <td>"</td> <td>"</td> <td>V-675</td> <td>122</td> <td>1/2</td> <td>2900</td> <td>1\"/&gt;  <tr> <td>U-44</td> <td>"</td> <td>"</td> <td>V-675</td> <td>122</td> <td>1/2</td> <td>2900</td> <td>1\"/&gt;  <tr> <td>U-45</td> <td>"</td> <td>"</td> <td>V-675</td> <td>122</td> <td>1/2</td> <td>2900</td> <td>1\"/&gt;  <tr> <td>U-46</td> <td>"</td> <td>"</td> <td>V-675</td> <td>122</td> <td>1/2</td> <td>2900</td> <td>1\"/&gt;  <tr> <td>U-47</td> <td>"</td> <td>"</td> <td>V-675</td> <td>122</td> <td>1/2</td> <td>2900</td> <td>1\"/&gt;  <tr> <td>U-48</td> <td>"</td> <td>"</td> <td>V-675</td> <td>122</td> <td>1/2</td> <td>2900</td> <td>1\"/&gt;  <tr> <td>U-49</td> <td>"</td> <td>"</td> <td>V-675</td> <td>122</td> <td>1/2</td> <td>2900</td> <td>1\"/&gt;  <tr> <td>U-50</td> <td>"</td> <td>"</td> <td>V-675</td> <td>122</td> <td>1/2</td> <td>2900</td> <td>1\"/&gt;  </td></tr></td></tr></td></tr></td></tr></td></tr></td></tr></td></tr></td></tr></td></tr></td></tr></td></tr></td></tr></td></tr></td></tr></td></tr></td></tr></td></tr></td></tr></td></tr></td></tr></td></tr></td></tr>   | U-29 | " | " | V-675 | 122 | 1/2 | 2900 | 1\"/> <tr> <td>U-30</td> <td>"</td> <td>"</td> <td>V-675</td> <td>122</td> <td>1/2</td> <td>2900</td> <td>1\"/&gt;  <tr> <td>U-31</td> <td>"</td> <td>"</td> <td>V-675</td> <td>122</td> <td>1/2</td> <td>2900</td> <td>1\"/&gt;  <tr> <td>U-32</td> <td>"</td> <td>"</td> <td>V-675</td> <td>122</td> <td>1/2</td> <td>2900</td> <td>1\"/&gt;  <tr> <td>U-33</td> <td>"</td> <td>"</td> <td>V-675</td> <td>122</td> <td>1/2</td> <td>2900</td> <td>1\"/&gt;  <tr> <td>U-34</td> <td>"</td> <td>"</td> <td>V-675</td> <td>122</td> <td>1/2</td> <td>2900</td> <td>1\"/&gt;  <tr> <td>U-35</td> <td>"</td> <td>"</td> <td>V-675</td> <td>122</td> <td>1/2</td> <td>2900</td> <td>1\"/&gt;  <tr> <td>U-36</td> <td>"</td> <td>"</td> <td>V-675</td> <td>122</td> <td>1/2</td> <td>2900</td> <td>1\"/&gt;  <tr> <td>U-37</td> <td>"</td> <td>"</td> <td>V-675</td> <td>122</td> <td>1/2</td> <td>2900</td> <td>1\"/&gt;  <tr> <td>U-38</td> <td>"</td> <td>"</td> <td>V-675</td> <td>122</td> <td>1/2</td> <td>2900</td> <td>1\"/&gt;  <tr> <td>U-39</td> <td>"</td> <td>"</td> <td>V-675</td> <td>122</td> <td>1/2</td> <td>2900</td> <td>1\"/&gt;  <tr> <td>U-40</td> <td>"</td> <td>"</td> <td>V-675</td> <td>122</td> <td>1/2</td> <td>2900</td> <td>1\"/&gt;  <tr> <td>U-41</td> <td>"</td> <td>"</td> <td>V-675</td> <td>122</td> <td>1/2</td> <td>2900</td> <td>1\"/&gt;  <tr> <td>U-42</td> <td>"</td> <td>"</td> <td>V-675</td> <td>122</td> <td>1/2</td> <td>2900</td> <td>1\"/&gt;  <tr> <td>U-43</td> <td>"</td> <td>"</td> <td>V-675</td> <td>122</td> <td>1/2</td> <td>2900</td> <td>1\"/&gt;  <tr> <td>U-44</td> <td>"</td> <td>"</td> <td>V-675</td> <td>122</td> <td>1/2</td> <td>2900</td> <td>1\"/&gt;  <tr> <td>U-45</td> <td>"</td> <td>"</td> <td>V-675</td> <td>122</td> <td>1/2</td> <td>2900</td> <td>1\"/&gt;  <tr> <td>U-46</td> <td>"</td> <td>"</td> <td>V-675</td> <td>122</td> <td>1/2</td> <td>2900</td> <td>1\"/&gt;  <tr> <td>U-47</td> <td>"</td> <td>"</td> <td>V-675</td> <td>122</td> <td>1/2</td> <td>2900</td> <td>1\"/&gt;  <tr> <td>U-48</td> <td>"</td> <td>"</td> <td>V-675</td> <td>122</td> <td>1/2</td> <td>2900</td> <td>1\"/&gt;  <tr> <td>U-49</td> <td>"</td> <td>"</td> <td>V-675</td> <td>122</td> <td>1/2</td> <td>2900</td> <td>1\"/&gt;  <tr> <td>U-50</td> <td>"</td> <td>"</td> <td>V-675</td> <td>122</td> <td>1/2</td> <td>2900</td> <td>1\"/&gt;  </td></tr></td></tr></td></tr></td></tr></td></tr></td></tr></td></tr></td></tr></td></tr></td></tr></td></tr></td></tr></td></tr></td></tr></td></tr></td></tr></td></tr></td></tr></td></tr></td></tr></td></tr>   | U-30 | " | " | V-675 | 122 | 1/2 | 2900 | 1\"/> <tr> <td>U-31</td> <td>"</td> <td>"</td> <td>V-675</td> <td>122</td> <td>1/2</td> <td>2900</td> <td>1\"/&gt;  <tr> <td>U-32</td> <td>"</td> <td>"</td> <td>V-675</td> <td>122</td> <td>1/2</td> <td>2900</td> <td>1\"/&gt;  <tr> <td>U-33</td> <td>"</td> <td>"</td> <td>V-675</td> <td>122</td> <td>1/2</td> <td>2900</td> <td>1\"/&gt;  <tr> <td>U-34</td> <td>"</td> <td>"</td> <td>V-675</td> <td>122</td> <td>1/2</td> <td>2900</td> <td>1\"/&gt;  <tr> <td>U-35</td> <td>"</td> <td>"</td> <td>V-675</td> <td>122</td> <td>1/2</td> <td>2900</td> <td>1\"/&gt;  <tr> <td>U-36</td> <td>"</td> <td>"</td> <td>V-675</td> <td>122</td> <td>1/2</td> <td>2900</td> <td>1\"/&gt;  <tr> <td>U-37</td> <td>"</td> <td>"</td> <td>V-675</td> <td>122</td> <td>1/2</td> <td>2900</td> <td>1\"/&gt;  <tr> <td>U-38</td> <td>"</td> <td>"</td> <td>V-675</td> <td>122</td> <td>1/2</td> <td>2900</td> <td>1\"/&gt;  <tr> <td>U-39</td> <td>"</td>
<td>"</td> <td>V-675</td> <td>122</td> <td>1/2</td> <td>2900</td> <td>1\"/&gt;  <tr> <td>U-40</td> <td>"</td> <td>"</td> <td>V-675</td> <td>122</td> <td>1/2</td> <td>2900</td> <td>1\"/&gt;  <tr> <td>U-41</td> <td>"</td> <td>"</td> <td>V-675</td> <td>122</td> <td>1/2</td> <td>2900</td> <td>1\"/&gt;  <tr> <td>U-42</td> <td>"</td> <td>"</td> <td>V-675</td> <td>122</td> <td>1/2</td> <td>2900</td> <td>1\"/&gt;  <tr> <td>U-43</td> <td>"</td> <td>"</td> <td>V-675</td> <td>122</td> <td>1/2</td> <td>2900</td> <td>1\"/&gt;  <tr> <td>U-44</td> <td>"</td> <td>"</td> <td>V-675</td> <td>122</td> <td>1/2</td> <td>2900</td> <td>1\"/&gt;  <tr> <td>U-45</td> <td>"</td> <td>"</td> <td>V-675</td> <td>122</td> <td>1/2</td> <td>2900</td> <td>1\"/&gt;  <tr> <td>U-46</td> <td>"</td> <td>"</td> <td>V-675</td> <td>122</td> <td>1/2</td> <td>2900</td> <td>1\"/&gt;  <tr> <td>U-47</td> <td>"</td> <td>"</td> <td>V-675</td> <td>122</td> <td>1/2</td> <td>2900</td> <td>1\"/&gt;  <tr> <td>U-48</td> <td>"</td> <td>"</td> <td>V-675</td> <td>122</td> <td>1/2</td> <td>2900</td> <td>1\"/&gt;  <tr> <td>U-49</td> <td>"</td> <td>"</td> <td>V-675</td> <td>122</td> <td>1/2</td> <td>2900</td> <td>1\"/&gt;  <tr> <td>U-50</td> <td>"</td> <td>"</td> <td>V-675</td> <td>122</td> <td>1/2</td> <td>2900</td> <td>1\"/&gt;  </td></tr></td></tr></td></tr></td></tr></td></tr></td></tr></td></tr></td></tr></td></tr></td></tr></td></tr></td></tr></td></tr></td></tr></td></tr></td></tr></td></tr></td></tr></td></tr></td></tr>   | U-31 | " | " | V-675 | 122 | 1/2 | 2900 | 1\"/> <tr> <td>U-32</td> <td>"</td> <td>"</td> <td>V-675</td> <td>122</td> <td>1/2</td> <td>2900</td> <td>1\"/&gt;  <tr> <td>U-33</td> <td>"</td> <td>"</td> <td>V-675</td> <td>122</td> <td>1/2</td> <td>2900</td> <td>1\"/&gt;  <tr> <td>U-34</td> <td>"</td> <td>"</td> <td>V-675</td> <td>122</td> <td>1/2</td> <td>2900</td> <td>1\"/&gt;  <tr> <td>U-35</td> <td>"</td> <td>"</td> <td>V-675</td> <td>122</td> <td>1/2</td> <td>2900</td> <td>1\"/&gt;  <tr> <td>U-36</td> <td>"</td> <td>"</td> <td>V-675</td> <td>122</td> <td>1/2</td> <td>2900</td> <td>1\"/&gt;  <tr> <td>U-37</td> <td>"</td> <td>"</td> <td>V-675</td> <td>122</td> <td>1/2</td> <td>2900</td> <td>1\"/&gt;  <tr> <td>U-38</td> <td>"</td> <td>"</td> <td>V-675</td> <td>122</td> <td>1/2</td> <td>2900</td> <td>1\"/&gt;  <tr> <td>U-39</td> <td>"</td> <td>"</td> <td>V-675</td> <td>122</td> <td>1/2</td> <td>2900</td> <td>1\"/&gt;  <tr> <td>U-40</td> <td>"</td> <td>"</td> <td>V-675</td> <td>122</td> <td>1/2</td> <td>2900</td> <td>1\"/&gt;  <tr> <td>U-41</td> <td>"</td> <td>"</td> <td>V-675</td> <td>122</td> <td>1/2</td> <td>2900</td> <td>1\"/&gt;  <tr> <td>U-42</td> <td>"</td> <td>"</td> <td>V-675</td> <td>122</td> <td>1/2</td> <td>2900</td> <td>1\"/&gt;  <tr> <td>U-43</td> <td>"</td> <td>"</td> <td>V-675</td> <td>122</td> <td>1/2</td> <td>2900</td> <td>1\"/&gt;  <tr> <td>U-44</td> <td>"</td> <td>"</td> <td>V-675</td> <td>122</td> <td>1/2</td> <td>2900</td> <td>1\"/&gt;  <tr> <td>U-45</td> <td>"</td> <td>"</td> <td>V-675</td> <td>122</td> <td>1/2</td> <td>2900</td> <td>1\"/&gt;  <tr> <td>U-46</td> <td>"</td> <td>"</td> <td>V-675</td> <td>122</td> <td>1/2</td> <td>2900</td> <td>1\"/&gt;  <tr> <td>U-47</td> <td>"</td> <td>"</td> <td>V-675</td> <td>122</td> <td>1/2</td> <td>2900</td> <td>1\"/&gt;  <tr> <td>U-48</td> <td>"</td> <td>"</td> <td>V-675</td> <td>122</td> <td>1/2</td> <td>2900</td> <td>1\"/&gt;  <tr> <td>U-49</td> <td>"</td> <td>"</td> <td>V-675</td> <td>122</td> <td>1/2</td> <td>2900</td> <td>1\"/&gt;  <tr> <td>U-50</td> <td>"</td> <td>"</td> <td>V-675</td> <td>122</td> <td>1/2</td> <td>2900</td> <td>1\"/&gt;  </td></tr></td></tr></td></tr></td></tr></td></tr></td></tr></td></tr></td></tr></td></tr></td></tr></td></tr></td></tr></td></tr></td></tr></td></tr></td></tr></td></tr></td></tr></td></tr>   | U-32 | " | " | V-675 | 122 | 1/2 | 2900 | 1\"/> <tr> <td>U-33</td> <td>"</td> <td>"</td> <td>V-675</td> <td>122</td> <td>1/2</td> <td>2900</td> <td>1\"/&gt;  <tr> <td>U-34</td> <td>"</td> <td>"</td> <td>V-675</td> <td>122</td> <td>1/2</td> <td>2900</td> <td>1\"/&gt;  <tr> <td>U-35</td> <td>"</td> <td>"</td> <td>V-675</td> <td>122</td> <td>1/2</td> <td>2900</td> <td>1\"/&gt;  <tr> <td>U-36</td> <td>"</td> <td>"</td> <td>V-675</td> <td>122</td> <td>1/2</td> <td>2900</td> <td>1\"/&gt;  <tr> <td>U-37</td> <td>"</td> <td>"</td> <td>V-675</td> <td>122</td> <td>1/2</td> <td>2900</td> <td>1\"/&gt;  <tr> <td>U-38</td> <td>"</td> <td>"</td> <td>V-675</td> <td>122</td> <td>1/2</td> <td>2900</td> <td>1\"/&gt;  <tr> <td>U-39</td> <td>"</td> <td>"</td> <td>V-675</td> <td>122</td> <td>1/2</td> <td>2900</td> <td>1\"/&gt;  <tr> <td>U-40</td> <td>"</td> <td>"</td> <td>V-675</td> <td>122</td> <td>1/2</td> <td>2900</td> <td>1\"/&gt;  <tr> <td>U-41</td> <td>"</td> <td>"</td> <td>V-675</td> <td>122</td> <td>1/2</td> <td>2900</td> <td>1\"/&gt;  <tr> <td>U-42</td> <td>"</td> <td>"</td> <td>V-675</td> <td>122</td> <td>1/2</td> <td>2900</td> <td>1\"/&gt;  <tr> <td>U-43</td> <td>"</td> <td>"</td> <td>V-675</td> <td>122</td> <td>1/2</td> <td>2900</td> <td>1\"/&gt;  <tr> <td>U-44</td> <td>"</td> <td>"</td> <td>V-675</td> <td>122</td> <td>1/2</td> <td>2900</td> <td>1\"/&gt;  <tr> <td>U-45</td> <td>"</td> <td>"</td> <td>V-675</td> <td>122</td> <td>1/2</td> <td>2900</td> <td>1\"/&gt;  <tr> <td>U-46</td> <td>"</td> <td>"</td> <td>V-675</td> <td>122</td> <td>1/2</td> <td>2900</td> <td>1\"/&gt;  <tr> <td>U-47</td> <td>"</td> <td>"</td> <td>V-675</td> <td>122</td> <td>1/2</td> <td>2900</td> <td>1\"/&gt;  <tr> <td>U-48</td> <td>"</td> <td>"</td> <td>V-675</td> <td>122</td> <td>1/2</td> <td>2900</td> <td>1\"/&gt;  <tr> <td>U-49</td> <td>"</td> <td>"</td> <td>V-675</td> <td>122</td> <td>1/2</td> <td>2900</td> <td>1\"/&gt;  <tr> <td>U-50</td> <td>"</td> <td>"</td> <td>V-675</td> <td>122</td> <td>1/2</td> <td>2900</td> <td>1\"/&gt;  </td></tr></td></tr></td></tr></td></tr></td></tr></td></tr></td></tr></td></tr></td></tr></td></tr></td></tr></td></tr></td></tr></td></tr></td></tr></td></tr></td></tr></td></tr>   
   | U-33 | " | " | V-675 | 122 | 1/2 | 2900 | 1\"/> <tr> <td>U-34</td> <td>"</td> <td>"</td> <td>V-675</td> <td>122</td> <td>1/2</td> <td>2900</td> <td>1\"/&gt;  <tr> <td>U-35</td> <td>"</td> <td>"</td> <td>V-675</td> <td>122</td> <td>1/2</td> <td>2900</td> <td>1\"/&gt;  <tr> <td>U-36</td> <td>"</td> <td>"</td> <td>V-675</td> <td>122</td> <td>1/2</td> <td>2900</td> <td>1\"/&gt;  <tr> <td>U-37</td> <td>"</td> <td>"</td> <td>V-675</td> <td>122</td> <td>1/2</td> <td>2900</td> <td>1\"/&gt;  <tr> <td>U-38</td> <td>"</td> <td>"</td> <td>V-675</td> <td>122</td> <td>1/2</td> <td>2900</td> <td>1\"/&gt;  <tr> <td>U-39</td> <td>"</td> <td>"</td> <td>V-675</td> <td>122</td> <td>1/2</td> <td>2900</td> <td>1\"/&gt;  <tr> <td>U-40</td> <td>"</td> <td>"</td> <td>V-675</td> <td>122</td> <td>1/2</td> <td>2900</td> <td>1\"/&gt;  <tr> <td>U-41</td> <td>"</td> <td>"</td> <td>V-675</td> <td>122</td> <td>1/2</td> <td>2900</td> <td>1\"/&gt;  <tr> <td>U-42</td> <td>"</td> <td>"</td> <td>V-675</td> <td>122</td> <td>1/2</td> <td>2900</td> <td>1\"/&gt;  <tr> <td>U-43</td> <td>"</td> <td>"</td> <td>V-675</td> <td>122</td> <td>1/2</td> <td>2900</td> <td>1\"/&gt;  <tr> <td>U-44</td> <td>"</td> <td>"</td> <td>V-675</td> <td>122</td> <td>1/2</td> <td>2900</td> <td>1\"/&gt;  <tr> <td>U-45</td> <td>"</td> <td>"</td> <td>V-675</td> <td>122</td> <td>1/2</td> <td>2900</td> <td>1\"/&gt;  <tr> <td>U-46</td> <td>"</td> <td>"</td> <td>V-675</td> <td>122</td> <td>1/2</td> <td>2900</td> <td>1\"/&gt;  <tr> <td>U-47</td> <td>"</td> <td>"</td> <td>V-675</td> <td>122</td> <td>1/2</td> <td>2900</td> <td>1\"/&gt;  <tr> <td>U-48</td> <td>"</td> <td>"</td> <td>V-675</td> <td>122</td> <td>1/2</td> <td>2900</td> <td>1\"/&gt;  <tr> <td>U-49</td> <td>"</td> <td>"</td> <td>V-675</td> <td>122</td> <td>1/2</td> <td>2900</td> <td>1\"/&gt;  <tr> <td>U-50</td> <td>"</td> <td>"</td> <td>V-675</td> <td>122</td> <td>1/2</td> <td>2900</td> <td>1\"/&gt;  </td></tr></td></tr></td></tr></td></tr></td></tr></td></tr></td></tr></td></tr></td></tr></td></tr></td></tr></td></tr></td></tr></td></tr></td></tr></td></tr></td></tr>   | U-34 | " | " | V-675 | 122 | 1/2 | 2900 | 1\"/> <tr> <td>U-35</td> <td>"</td> <td>"</td> <td>V-675</td> <td>122</td> <td>1/2</td> <td>2900</td> <td>1\"/&gt;  <tr> <td>U-36</td> <td>"</td> <td>"</td> <td>V-675</td> <td>122</td> <td>1/2</td> <td>2900</td> <td>1\"/&gt;  <tr> <td>U-37</td> <td>"</td> <td>"</td> <td>V-675</td> <td>122</td> <td>1/2</td> <td>2900</td> <td>1\"/&gt;  <tr> <td>U-38</td> <td>"</td> <td>"</td> <td>V-675</td> <td>122</td> <td>1/2</td> <td>2900</td> <td>1\"/&gt;  <tr> <td>U-39</td> <td>"</td> <td>"</td> <td>V-675</td> <td>122</td> <td>1/2</td> <td>2900</td> <td>1\"/&gt;  <tr> <td>U-40</td> <td>"</td> <td>"</td> <td>V-675</td> <td>122</td> <td>1/2</td> <td>2900</td> <td>1\"/&gt;  <tr> <td>U-41</td> <td>"</td> <td>"</td> <td>V-675</td> <td>122</td> <td>1/2</td> <td>2900</td> <td>1\"/&gt;  <tr> <td>U-42</td> <td>"</td> <td>"</td> <td>V-675</td> <td>122</td> <td>1/2</td> <td>2900</td> <td>1\"/&gt;  <tr> <td>U-43</td> <td>"</td> <td>"</td> <td>V-675</td> <td>122</td> <td>1/2</td> <td>2900</td> <td>1\"/&gt;  <tr> <td>U-44</td> <td>"</td> <td>"</td> <td>V-675</td> <td>122</td> <td>1/2</td> <td>2900</td> <td>1\"/&gt;  <tr> <td>U-45</td> <td>"</td> <td>"</td> <td>V-675</td> <td>122</td> <td>1/2</td> <td>2900</td> <td>1\"/&gt;  <tr> <td>U-46</td> <td>"</td> <td>"</td> <td>V-675</td> <td>122</td> <td>1/2</td> <td>2900</td> <td>1\"/&gt;  <tr> <td>U-47</td> <td>"</td> <td>"</td> <td>V-675</td> <td>122</td> <td>1/2</td> <td>2900</td> <td>1\"/&gt;  <tr> <td>U-48</td> <td>"</td> <td>"</td> <td>V-675</td> <td>122</td> <td>1/2</td> <td>2900</td> <td>1\"/&gt;  <tr> <td>U-49</td> <td>"</td> <td>"</td> <td>V-675</td> <td>122</td> <td>1/2</td> <td>2900</td> <td>1\"/&gt;  <tr> <td>U-50</td> <td>"</td> <td>"</td> <td>V-675</td> <td>122</td> <td>1/2</td> <td>2900</td> <td>1\"/&gt;  </td></tr></td></tr></td></tr></td></tr></td></tr></td></tr></td></tr></td></tr></td></tr></td></tr></td></tr></td></tr></td></tr></td></tr></td></tr></td></tr>   | U-35 | " | " | V-675 | 122 | 1/2 | 2900 | 1\"/> <tr> <td>U-36</td> <td>"</td> <td>"</td> <td>V-675</td> <td>122</td> <td>1/2</td> <td>2900</td> <td>1\"/&gt;  <tr> <td>U-37</td> <td>"</td> <td>"</td> <td>V-675</td> <td>122</td> <td>1/2</td> <td>2900</td> <td>1\"/&gt;  <tr> <td>U-38</td> <td>"</td> <td>"</td> <td>V-675</td> <td>122</td> <td>1/2</td> <td>2900</td> <td>1\"/&gt;  <tr> <td>U-39</td> <td>"</td> <td>"</td> <td>V-675</td> <td>122</td> <td>1/2</td> <td>2900</td> <td>1\"/&gt;  <tr> <td>U-40</td> <td>"</td> <td>"</td> <td>V-675</td> <td>122</td> <td>1/2</td> <td>2900</td> <td>1\"/&gt;  <tr> <td>U-41</td> <td>"</td> <td>"</td> <td>V-675</td> <td>122</td> <td>1/2</td> <td>2900</td> <td>1\"/&gt;  <tr> <td>U-42</td> <td>"</td> <td>"</td> <td>V-675</td> <td>122</td> <td>1/2</td> <td>2900</td> <td>1\"/&gt;  <tr> <td>U-43</td> <td>"</td> <td>"</td> <td>V-675</td> <td>122</td> <td>1/2</td> <td>2900</td> <td>1\"/&gt;  <tr> <td>U-44</td> <td>"</td> <td>"</td> <td>V-675</td> <td>122</td> <td>1/2</td> <td>2900</td> <td>1\"/&gt;  <tr> <td>U-45</td> <td>"</td> <td>"</td> <td>V-675</td> <td>122</td> <td>1/2</td> <td>2900</td> <td>1\"/&gt;  <tr> <td>U-46</td> <td>"</td> <td>"</td> <td>V-675</td> <td>122</td> <td>1/2</td> <td>2900</td> <td>1\"/&gt;  <tr> <td>U-47</td> <td>"</td> <td>"</td> <td>V-675</td> <td>122</td> <td>1/2</td> <td>2900</td> <td>1\"/&gt;  <tr> <td>U-48</td> <td>"</td> <td>"</td> <td>V-675</td> <td>122</td> <td>1/2</td> <td>2900</td> <td>1\"/&gt;  <tr> <td>U-49</td> <td>"</td> <td>"</td> <td>V-675</td> <td>122</td> <td>1/2</td> <td>2900</td> <td>1\"/&gt;  <tr> <td>U-50</td> <td>"</td> <td>"</td> <td>V-675</td> <td>122</td> <td>1/2</td> <td>2900</td> <td>1\"/&gt;  </td></tr></td></tr></td></tr></td></tr></td></tr></td></tr></td></tr></td></tr></td></tr></td></tr></td></tr></td></tr></td></tr></td></tr></td></tr>  
  | U-36 | " | " | V-675 | 122 | 1/2 | 2900 | 1\"/> <tr> <td>U-37</td> <td>"</td> <td>"</td> <td>V-675</td> <td>122</td> <td>1/2</td> <td>2900</td> <td>1\"/&gt;  <tr> <td>U-38</td> <td>"</td> <td>"</td> <td>V-675</td> <td>122</td> <td>1/2</td> <td>2900</td> <td>1\"/&gt;  <tr> <td>U-39</td> <td>"</td> <td>"</td> <td>V-675</td> <td>122</td> <td>1/2</td> <td>2900</td> <td>1\"/&gt;  <tr> <td>U-40</td> <td>"</td> <td>"</td> <td>V-675</td> <td>122</td> <td>1/2</td> <td>2900</td> <td>1\"/&gt;  <tr> <td>U-41</td> <td>"</td> <td>"</td> <td>V-675</td> <td>122</td> <td>1/2</td> <td>2900</td> <td>1\"/&gt;  <tr> <td>U-42</td> <td>"</td> <td>"</td> <td>V-675</td> <td>122</td> <td>1/2</td> <td>2900</td> <td>1\"/&gt;  <tr> <td>U-43</td> <td>"</td> <td>"</td> <td>V-675</td> <td>122</td> <td>1/2</td> <td>2900</td> <td>1\"/&gt;  <tr> <td>U-44</td> <td>"</td> <td>"</td> <td>V-675</td> <td>122</td> <td>1/2</td> <td>2900</td> <td>1\"/&gt;  <tr> <td>U-45</td> <td>"</td> <td>"</td> <td>V-675</td> <td>122</td> <td>1/2</td> <td>2900</td> <td>1\"/&gt;  <tr> <td>U-46</td> <td>"</td> <td>"</td> <td>V-675</td> <td>122</td> <td>1/2</td> <td>2900</td> <td>1\"/&gt;  <tr> <td>U-47</td> <td>"</td> <td>"</td> <td>V-675</td> <td>122</td> <td>1/2</td> <td>2900</td> <td>1\"/&gt;  <tr> <td>U-48</td> <td>"</td> <td>"</td> <td>V-675</td> <td>122</td> <td>1/2</td> <td>2900</td> <td>1\"/&gt;  <tr> <td>U-49</td> <td>"</td> <td>"</td> <td>V-675</td> <td>122</td> <td>1/2</td> <td>2900</td> <td>1\"/&gt;  <tr> <td>U-50</td> <td>"</td> <td>"</td> <td>V-675</td> <td>122</td> <td>1/2</td> <td>2900</td> <td>1\"/&gt;  </td></tr></td></tr></td></tr></td></tr></td></tr></td></tr></td></tr></td></tr></td></tr></td></tr></td></tr></td></tr></td></tr></td></tr>   | U-37 | " | " | V-675 | 122 | 1/2 | 2900 | 1\"/> <tr> <td>U-38</td> <td>"</td> <td>"</td> <td>V-675</td> <td>122</td> <td>1/2</td> <td>2900</td> <td>1\"/&gt;  <tr> <td>U-39</td> <td>"</td> <td>"</td> <td>V-675</td> <td>122</td> <td>1/2</td> <td>2900</td> <td>1\"/&gt;  <tr> <td>U-40</td> <td>"</td> <td>"</td> <td>V-675</td> <td>122</td> <td>1/2</td> <td>2900</td> <td>1\"/&gt;  <tr> <td>U-41</td> <td>"</td> <td>"</td> <td>V-675</td> <td>122</td> <td>1/2</td> <td>2900</td> <td>1\"/&gt;  <tr> <td>U-42</td> <td>"</td> <td>"</td> <td>V-675</td> <td>122</td> <td>1/2</td> <td>2900</td> <td>1\"/&gt;  <tr> <td>U-43</td> <td>"</td> <td>"</td> <td>V-675</td> <td>122</td> <td>1/2</td> <td>2900</td> <td>1\"/&gt;  <tr> <td>U-44</td> <td>"</td> <td>"</td> <td>V-675</td> <td>122</td> <td>1/2</td> <td>2900</td> <td>1\"/&gt;  <tr> <td>U-45</td> <td>"</td> <td>"</td> <td>V-675</td> <td>122</td> <td>1/2</td> <td>2900</td> <td>1\"/&gt;  <tr> <td>U-46</td> <td>"</td> <td>"</td> <td>V-675</td> <td>122</td> <td>1/2</td> <td>2900</td> <td>1\"/&gt;  <tr> <td>U-47</td> <td>"</td> <td>"</td> <td>V-675</td> <td>122</td> <td>1/2</td> <td>2900</td> <td>1\"/&gt;  <tr> <td>U-48</td> <td>"</td> <td>"</td> <td>V-675</td> <td>122</td> <td>1/2</td> <td>2900</td> <td>1\"/&gt;  <tr> <td>U-49</td> <td>"</td> <td>"</td> <td>V-675</td> <td>122</td> <td>1/2</td> <td>2900</td> <td>1\"/&gt;  <tr> <td>U-50</td> <td>"</td> <td>"</td> <td>V-675</td> <td>122</td> <td>1/2</td> <td>2900</td> <td>1\"/&gt;  </td></tr></td></tr></td></tr></td></tr></td></tr></td></tr></td></tr></td></tr></td></tr></td></tr></td></tr></td></tr></td></tr>   | U-38 | " | " | V-675 | 122 | 1/2 | 2900 | 1\"/> <tr> <td>U-39</td> <td>"</td> <td>"</td> <td>V-675</td> <td>122</td> <td>1/2</td> <td>2900</td> <td>1\"/&gt;  <tr> <td>U-40</td> <td>"</td> <td>"</td> <td>V-675</td> <td>122</td> <td>1/2</td> <td>2900</td> <td>1\"/&gt;  <tr> <td>U-41</td> <td>"</td> <td>"</td> <td>V-675</td> <td>122</td> <td>1/2</td> <td>2900</td> <td>1\"/&gt;  <tr> <td>U-42</td> <td>"</td> <td>"</td> <td>V-675</td> <td>122</td> <td>1/2</td> <td>2900</td> <td>1\"/&gt;  <tr> <td>U-43</td> <td>"</td> <td>"</td> <td>V-675</td> <td>122</td> <td>1/2</td> <td>2900</td> <td>1\"/&gt;  <tr> <td>U-44</td> <td>"</td> <td>"</td> <td>V-675</td> <td>122</td> <td>1/2</td> <td>2900</td> <td>1\"/&gt;  <tr> <td>U-45</td> <td>"</td> <td>"</td> <td>V-675</td> <td>122</td> <td>1/2</td> <td>2900</td> <td>1\"/&gt;  <tr> <td>U-46</td> <td>"</td> <td>"</td> <td>V-675</td> <td>122</td> <td>1/2</td> <td>2900</td> <td>1\"/&gt;  <tr> <td>U-47</td> <td>"</td> <td>"</td> <td>V-675</td> <td>122</td> <td>1/2</td> <td>2900</td> <td>1\"/&gt;  <tr> <td>U-48</td> <td>"</td> <td>"</td> <td>V-675</td> <td>122</td> <td>1/2</td> <td>2900</td> <td>1\"/&gt;  <tr> <td>U-49</td> <td>"</td> <td>"</td> <td>V-675</td> <td>122</td> <td>1/2</td> <td>2900</td> <td>1\"/&gt;  <tr> <td>U-50</td> <td>"</td> <td>"</td> <td>V-675</td> <td>122</td> <td>1/2</td> <td>2900</td> <td>1\"/&gt;  </td></tr></td></tr></td></tr></td></tr></td></tr></td></tr></td></tr></td></tr></td></tr></td></tr></td></tr></td></tr>   | U-39 | " | " | V-675 | 122 | 1/2 | 2900 | 1\"/> <tr> <td>U-40</td> <td>"</td> <td>"</td> <td>V-675</td> <td>122</td> <td>1/2</td> <td>2900</td> <td>1\"/&gt;  <tr> <td>U-41</td> <td>"</td> <td>"</td> <td>V-675</td> <td>122</td> <td>1/2</td> <td>2900</td>
<td>1\"/&gt;  <tr> <td>U-42</td> <td>"</td> <td>"</td> <td>V-675</td> <td>122</td> <td>1/2</td> <td>2900</td> <td>1\"/&gt;  <tr> <td>U-43</td> <td>"</td> <td>"</td> <td>V-675</td> <td>122</td> <td>1/2</td> <td>2900</td> <td>1\"/&gt;  <tr> <td>U-44</td> <td>"</td> <td>"</td> <td>V-675</td> <td>122</td> <td>1/2</td> <td>2900</td> <td>1\"/&gt;  <tr> <td>U-45</td> <td>"</td> <td>"</td> <td>V-675</td> <td>122</td> <td>1/2</td> <td>2900</td> <td>1\"/&gt;  <tr> <td>U-46</td> <td>"</td> <td>"</td> <td>V-675</td> <td>122</td> <td>1/2</td> <td>2900</td> <td>1\"/&gt;  <tr> <td>U-47</td> <td>"</td> <td>"</td> <td>V-675</td> <td>122</td> <td>1/2</td> <td>2900</td> <td>1\"/&gt;  <tr> <td>U-48</td> <td>"</td> <td>"</td> <td>V-675</td> <td>122</td> <td>1/2</td> <td>2900</td> <td>1\"/&gt;  <tr> <td>U-49</td> <td>"</td> <td>"</td> <td>V-675</td> <td>122</td> <td>1/2</td> <td>2900</td> <td>1\"/&gt;  <tr> <td>U-50</td> <td>"</td> <td>"</td> <td>V-675</td> <td>122</td> <td>1/2</td> <td>2900</td> <td>1\"/&gt;  </td></tr></td></tr></td></tr></td></tr></td></tr></td></tr></td></tr></td></tr></td></tr></td></tr></td></tr>   | U-40 | " | " | V-675 | 122 | 1/2 | 2900 | 1\"/> <tr> <td>U-41</td> <td>"</td> <td>"</td> <td>V-675</td> <td>122</td> <td>1/2</td> <td>2900</td> <td>1\"/&gt;  <tr> <td>U-42</td> <td>"</td> <td>"</td> <td>V-675</td> <td>122</td> <td>1/2</td> <td>2900</td> <td>1\"/&gt;  <tr> <td>U-43</td> <td>"</td> <td>"</td> <td>V-675</td> <td>122</td> <td>1/2</td> <td>2900</td> <td>1\"/&gt;  <tr> <td>U-44</td> <td>"</td> <td>"</td> <td>V-675</td> <td>122</td> <td>1/2</td> <td>2900</td> <td>1\"/&gt;  <tr> <td>U-45</td> <td>"</td> <td>"</td> <td>V-675</td> <td>122</td> <td>1/2</td> <td>2900</td> <td>1\"/&gt;  <tr> <td>U-46</td> <td>"</td> <td>"</td> <td>V-675</td> <td>122</td> <td>1/2</td> <td>2900</td> <td>1\"/&gt;  <tr> <td>U-47</td> <td>"</td> <td>"</td> <td>V-675</td> <td>122</td> <td>1/2</td> <td>2900</td> <td>1\"/&gt;  <tr> <td>U-48</td> <td>"</td> <td>"</td> <td>V-675</td> <td>122</td> <td>1/2</td> <td>2900</td> <td>1\"/&gt;  <tr> <td>U-49</td> <td>"</td> <td>"</td> <td>V-675</td> <td>122</td> <td>1/2</td> <td>2900</td> <td>1\"/&gt;  <tr> <td>U-50</td> <td>"</td> <td>"</td> <td>V-675</td> <td>122</td> <td>1/2</td> <td>2900</td> <td>1\"/&gt;  </td></tr></td></tr></td></tr></td></tr></td></tr></td></tr></td></tr></td></tr></td></tr></td></tr>   | U-41 | " | " | V-675 | 122 | 1/2 | 2900 | 1\"/> <tr> <td>U-42</td> <td>"</td> <td>"</td> <td>V-675</td> <td>122</td> <td>1/2</td> <td>2900</td> <td>1\"/&gt;  <tr> <td>U-43</td> <td>"</td> <td>"</td> <td>V-675</td> <td>122</td> <td>1/2</td> <td>2900</td> <td>1\"/&gt;  <tr> <td>U-44</td> <td>"</td> <td>"</td> <td>V-675</td> <td>122</td> <td>1/2</td> <td>2900</td> <td>1\"/&gt;  <tr> <td>U-45</td> <td>"</td> <td>"</td> <td>V-675</td> <td>122</td> <td>1/2</td> <td>2900</td> <td>1\"/&gt;  <tr> <td>U-46</td> <td>"</td> <td>"</td> <td>V-675</td> <td>122</td> <td>1/2</td> <td>2900</td> <td>1\"/&gt;  <tr> <td>U-47</td> <td>"</td> <td>"</td> <td>V-675</td> <td>122</td> <td>1/2</td> <td>2900</td> <td>1\"/&gt;  <tr> <td>U-48</td> <td>"</td> <td>"</td> <td>V-675</td> <td>122</td> <td>1/2</td> <td>2900</td> <td>1\"/&gt;  <tr> <td>U-49</td> <td>"</td> <td>"</td> <td>V-675</td> <td>122</td> <td>1/2</td> <td>2900</td> <td>1\"/&gt;  <tr> <td>U-50</td> <td>"</td> <td>"</td> <td>V-675</td> <td>122</td> <td>1/2</td> <td>2900</td> <td>1\"/&gt;  </td></tr></td></tr></td></tr></td></tr></td></tr></td></tr></td></tr></td></tr></td></tr>   | U-42 | " | " | V-675 | 122 | 1/2 | 2900 | 1\"/> <tr> <td>U-43</td> <td>"</td> <td>"</td> <td>V-675</td> <td>122</td> <td>1/2</td> <td>2900</td> <td>1\"/&gt;  <tr> <td>U-44</td> <td>"</td> <td>"</td> <td>V-675</td> <td>122</td> <td>1/2</td> <td>2900</td> <td>1\"/&gt;  <tr> <td>U-45</td> <td>"</td> <td>"</td> <td>V-675</td> <td>122</td> <td>1/2</td> <td>2900</td> <td>1\"/&gt;  <tr> <td>U-46</td> <td>"</td> <td>"</td> <td>V-675</td> <td>122</td> <td>1/2</td> <td>2900</td> <td>1\"/&gt;  <tr> <td>U-47</td> <td>"</td> <td>"</td> <td>V-675</td> <td>122</td> <td>1/2</td> <td>2900</td> <td>1\"/&gt;  <tr> <td>U-48</td> <td>"</td> <td>"</td> <td>V-675</td> <td>122</td> <td>1/2</td> <td>2900</td> <td>1\"/&gt;  <tr> <td>U-49</td> <td>"</td> <td>"</td> <td>V-675</td> <td>122</td> <td>1/2</td> <td>2900</td> <td>1\"/&gt;  <tr> <td>U-50</td> <td>"</td> <td>"</td> <td>V-675</td> <td>122</td> <td>1/2</td> <td>2900</td> <td>1\"/&gt;  </td></tr></td></tr></td></tr></td></tr></td></tr></td></tr></td></tr></td></tr>  
  | U-43 | " | " | V-675 | 122 | 1/2 | 2900 | 1\"/> <tr> <td>U-44</td> <td>"</td> <td>"</td> <td>V-675</td> <td>122</td> <td>1/2</td> <td>2900</td> <td>1\"/&gt;  <tr> <td>U-45</td> <td>"</td> <td>"</td> <td>V-675</td> <td>122</td> <td>1/2</td> <td>2900</td> <td>1\"/&gt;  <tr> <td>U-46</td> <td>"</td> <td>"</td> <td>V-675</td> <td>122</td> <td>1/2</td> <td>2900</td> <td>1\"/&gt;  <tr> <td>U-47</td> <td>"</td> <td>"</td> <td>V-675</td> <td>122</td> <td>1/2</td> <td>2900</td> <td>1\"/&gt;  <tr> <td>U-48</td> <td>"</td> <td>"</td> <td>V-675</td> <td>122</td> <td>1/2</td> <td>2900</td> <td>1\"/&gt;  <tr> <td>U-49</td> <td>"</td> <td>"</td> <td>V-675</td> <td>122</td> <td>1/2</td> <td>2900</td> <td>1\"/&gt;  <tr> <td>U-50</td> <td>"</td> <td>"</td> <td>V-675</td> <td>122</td> <td>1/2</td> <td>2900</td> <td>1\"/&gt;  </td></tr></td></tr></td></tr></td></tr></td></tr></td></tr></td></tr>   | U-44 | " | " | V-675 | 122 | 1/2 | 2900 | 1\"/> <tr> <td>U-45</td> <td>"</td> <td>"</td> <td>V-675</td> <td>122</td> <td>1/2</td> <td>2900</td> <td>1\"/&gt;  <tr> <td>U-46</td> <td>"</td> <td>"</td> <td>V-675</td> <td>122</td> <td>1/2</td> <td>2900</td> <td>1\"/&gt;  <tr> <td>U-47</td> <td>"</td> <td>"</td> <td>V-675</td> <td>122</td> <td>1/2</td> <td>2900</td> <td>1\"/&gt;  <tr> <td>U-48</td> <td>"</td> <td>"</td> <td>V-675</td> <td>122</td> <td>1/2</td> <td>2900</td> <td>1\"/&gt;  <tr> <td>U-49</td> <td>"</td> <td>"</td> <td>V-675</td> <td>122</td> <td>1/2</td> <td>2900</td> <td>1\"/&gt;  <tr> <td>U-50</td> <td>"</td> <td>"</td> <td>V-675</td> <td>122</td> <td>1/2</td> <td>2900</td> <td>1\"/&gt;  </td></tr></td></tr></td></tr></td></tr></td></tr></td></tr>   | U-45 | " | " | V-675 | 122 | 1/2 | 2900 | 1\"/> <tr> <td>U-46</td> <td>"</td> <td>"</td> <td>V-675</td> <td>122</td> <td>1/2</td> <td>2900</td> <td>1\"/&gt;  <tr> <td>U-47</td> <td>"</td> <td>"</td> <td>V-675</td> <td>122</td> <td>1/2</td> <td>2900</td> <td>1\"/&gt;  <tr> <td>U-48</td> <td>"</td> <td>"</td> <td>V-675</td> <td>122</td> <td>1/2</td> <td>2900</td> <td>1\"/&gt;  <tr> <td>U-49</td> <td>"</td> <td>"</td> <td>V-675</td> <td>122</td> <td>1/2</td> <td>2900</td> <td>1\"/&gt;  <tr> <td>U-50</td> <td>"</td> <td>"</td> <td>V-675</td> <td>122</td> <td>1/2</td> <td>2900</td> <td>1\"/&gt;  </td></tr></td></tr></td></tr></td></tr></td></tr>   | U-46 | " | " | V-675 | 122 | 1/2 | 2900 | 1\"/> <tr> <td>U-47</td> <td>"</td> <td>"</td> <td>V-675</td> <td>122</td> <td>1/2</td> <td>2900</td> <td>1\"/&gt;  <tr> <td>U-48</td> <td>"</td> <td>"</td> <td>V-675</td> <td>122</td> <td>1/2</td> <td>2900</td> <td>1\"/&gt;  <tr> <td>U-49</td> <td>"</td> <td>"</td> <td>V-675</td> <td>122</td> <td>1/2</td> <td>2900</td> <td>1\"/&gt;  <tr> <td>U-50</td> <td>"</td> <td>"</td> <td>V-675</td> <td>122</td> <td>1/2</td> <td>2900</td> <td>1\"/&gt;  </td></tr></td></tr></td></tr></td></tr>   | U-47 | " | " | V-675 | 122 | 1/2 | 2900 | 1\"/> <tr> <td>U-48</td> <td>"</td> <td>"</td> <td>V-675</td> <td>122</td> <td>1/2</td> <td>2900</td> <td>1\"/&gt;  <tr> <td>U-49</td> <td>"</td> <td>"</td> <td>V-675</td> <td>122</td> <td>1/2</td> <td>2900</td> <td>1\"/&gt;  <tr> <td>U-50</td> <td>"</td> <td>"</td> <td>V-675</td> <td>122</td> <td>1/2</td> <td>2900</td> <td>1\"/&gt;  </td></tr></td></tr></td></tr>   
   | U-48 | " | " | V-675 | 122 | 1/2 | 2900 | 1\"/> <tr> <td>U-49</td> <td>"</td> <td>"</td> <td>V-675</td> <td>122</td> <td>1/2</td> <td>2900</td> <td>1\"/&gt;  <tr> <td>U-50</td> <td>"</td> <td>"</td> <td>V-675</td> <td>122</td> <td>1/2</td> <td>2900</td> <td>1\"/&gt;  </td></tr></td></tr>   | U-49 | " | " | V-675 | 122 | 1/2 | 2900 | 1\"/> <tr> <td>U-50</td> <td>"</td> <td>"</td> <td>V-675</td> <td>122</td> <td>1/2</td> <td>2900</td> <td>1\"/&gt;  </td></tr>   | U-50 | " | " | V-675 | 122 | 1/2 | 2900 | 1\"/>  |      |   |   |       |     |     |      |  |      |   |   |       |     |     |      |  |      |   |   |       |     |     |      |  |      |   |   |       |     |     |      |   
  |      |   |   |       |     |     |      |  |      |   |   |       |     |     |      |  |      |   |   |       |     |     |      |  |      |   |   |       |     |     |      |  |      |   |   |       |     |     |      |  |      |   |   |       |     |     |      |  |      |   |   |       |     |     |      |  |      |   |   |       |     |     |      |       |
| U-8  | "             | "                       | V-675    | 122  | 1/2           | 2900    | 1\"/> <tr> <td>U-9</td> <td>"</td> <td>"</td> <td>V-675</td> <td>122</td> <td>1/2</td> <td>2900</td> <td>1\"/&gt;  <tr> <td>U-10</td> <td>"</td> <td>"</td> <td>V-675</td> <td>122</td> <td>1/2</td> <td>2900</td> <td>1\"/&gt;  <tr> <td>U-11</td> <td>"</td> <td>"</td> <td>V-675</td> <td>122</td> <td>1/2</td> <td>2900</td> <td>1\"/&gt;  <tr> <td>U-12</td> <td>"</td> <td>"</td> <td>V-675</td> <td>122</td> <td>1/2</td> <td>2900</td> <td>1\"/&gt;  <tr> <td>U-13</td> <td>"</td> <td>"</td> <td>V-675</td> <td>122</td> <td>1/2</td> <td>2900</td> <td>1\"/&gt;  <tr> <td>U-14</td> <td>"</td> <td>"</td> <td>V-675</td> <td>122</td> <td>1/2</td> <td>2900</td> <td>1\"/&gt;  <tr> <td>U-15</td> <td>"</td> <td>"</td> <td>V-675</td> <td>122</td> <td>1/2</td> <td>2900</td> <td>1\"/&gt;  <tr> <td>U-16</td> <td>"</td> <td>"</td> <td>V-675</td> <td>122</td> <td>1/2</td> <td>2900</td> <td>1\"/&gt;  <tr> <td>U-17</td> <td>"</td> <td>"</td> <td>V-675</td> <td>122</td> <td>1/2</td> <td>2900</td> <td>1\"/&gt;  <tr> <td>U-18</td> <td>"</td> <td>"</td> <td>V-675</td> <td>122</td> <td>1/2</td> <td>2900</td> <td>1\"/&gt;  <tr> <td>U-19</td> <td>"</td> <td>"</td> <td>V-675</td> <td>122</td> <td>1/2</td> <td>2900</td> <td>1\"/&gt;  <tr> <td>U-20</td> <td>"</td> <td>"</td> <td>V-675</td> <td>122</td> <td>1/2</td> <td>2900</td> <td>1\"/&gt;  <tr> <td>U-21</td> <td>"</td> <td>"</td> <td>V-675</td> <td>122</td> <td>1/2</td> <td>2900</td> <td>1\"/&gt;  <tr> <td>U-22</td> <td>"</td> <td>"</td> <td>V-675</td> <td>122</td> <td>1/2</td> <td>2900</td> <td>1\"/&gt;  <tr> <td>U-23</td> <td>"</td> <td>"</td> <td>V-675</td> <td>122</td> <td>1/2</td> <td>2900</td> <td>1\"/&gt;  <tr> <td>U-24</td> <td>"</td> <td>"</td> <td>V-675</td> <td>122</td> <td>1/2</td> <td>2900</td> <td>1\"/&gt;  <tr> <td>U-25</td> <td>"</td> <td>"</td> <td>V-675</td> <td>122</td> <td>1/2</td> <td>2900</td> <td>1\"/&gt;  <tr> <td>U-26</td> <td>"</td> <td>"</td> <td>V-675</td> <td>122</td> <td>1/2</td> <td>2900</td> <td>1\"/&gt;  <tr> <td>U-27</td> <td>"</td> <td>"</td> <td>V-675</td> <td>122</td> <td>1/2</td> <td>2900</td> <td>1\"/&gt;  <tr> <td>U-28</td> <td>"</td> <td>"</td> <td>V-675</td> <td>122</td> <td>1/2</td> <td>2900</td> <td>1\"/&gt;  <tr> <td>U-29</td> <td>"</td> <td>"</td> <td>V-675</td> <td>122</td> <td>1/2</td> <td>2900</td> <td>1\"/&gt;  <tr> <td>U-30</td> <td>"</td> <td>"</td> <td>V-675</td> <td>122</td> <td>1/2</td> <td>2900</td> <td>1\"/&gt;  <tr> <td>U-31</td> <td>"</td> <td>"</td> <td>V-675</td> <td>122</td> <td>1/2</td> <td>2900</td> <td>1\"/&gt;  <tr> <td>U-32</td> <td>"</td> <td>"</td> <td>V-675</td> <td>122</td> <td>1/2</td> <td>2900</td> <td>1\"/&gt;  <tr> <td>U-33</td> <td>"</td> <td>"</td> <td>V-675</td> <td>122</td> <td>1/2</td> <td>2900</td> <td>1\"/&gt;  <tr> <td>U-34</td> <td>"</td> <td>"</td> <td>V-675</td> <td>122</td> <td>1/2</td> <td>2900</td> <td>1\"/&gt;  <tr> <td>U-35</td> <td>"</td> <td>"</td> <td>V-675</td> <td>122</td> <td>1/2</td> <td>2900</td> <td>1\"/&gt;  <tr> <td>U-36</td> <td>"</td> <td>"</td> <td>V-675</td> <td>122</td> <td>1/2</td> <td>2900</td> <td>1\"/&gt;  <tr> <td>U-37</td> <td>"</td> <td>"</td> <td>V-675</td> <td>122</td> <td>1/2</td> <td>2900</td> <td>1\"/&gt;  <tr> <td>U-38</td> <td>"</td> <td>"</td> <td>V-675</td> <td>122</td> <td>1/2</td> <td>2900</td> <td>1\"/&gt;  <tr> <td>U-39</td> <td>"</td> <td>"</td> <td>V-675</td> <td>122</td> <td>1/2</td> <td>2900</td> <td>1\"/&gt;  <tr> <td>U-40</td> <td>"</td> <td>"</td> <td>V-675</td> <td>122</td> <td>1/2</td> <td>2900</td> <td>1\"/&gt;  <tr> <td>U-41</td> <td>"</td> <td>"</td> <td>V-675</td> <td>122</td> <td>1/2</td> <td>2900</td> <td>1\"/&gt;  <tr> <td>U-42</td> <td>"</td> <td>"</td> <td>V-675</td> <td>122</td> <td>1/2</td> <td>2900</td> <td>1\"/&gt;  <tr> <td>U-43</td> <td>"</td> <td>"</td> <td>V-675</td> <td>122</td> <td>1/2</td> <td>2900</td> <td>1\"/&gt;  <tr> <td>U-44</td> <td>"</td> <td>"</td> <td>V-675</td> <td>122</td> <td>1/2</td> <td>2900</td> <td>1\"/&gt;  <tr> <td>U-45</td> <td>"</td> <td>"</td> <td>V-675</td> <td>122</td> <td>1/2</td> <td>2900</td> <td>1\"/&gt;  <tr> <td>U-46</td> <td>"</td> <td>"</td> <td>V-675</td> <td>122</td> <td>1/2</td> <td>2900</td> <td>1\"/&gt;  <tr> <td>U-47</td> <td>"</td> <td>"</td> <td>V-675</td> <td>122</td> <td>1/2</td> <td>2900</td> <td>1\"/&gt;  <tr> <td>U-48</td> <td>"</td> <td>"</td> <td>V-675</td> <td>122</td> <td>1/2</td> <td>2900</td> <td>1\"/&gt;  <tr> <td>U-49</td> <td>"</td> <td>"</td> <td>V-675</td> <td>122</td> <td>1/2</td> <td>2900</td> <td>1\"/&gt;  <tr> <td>U-50</td> <td>"</td> <td>"</td> <td>V-675</td> <td>122</td> <td>1/2</td> <td>2900</td> <td>1\"/&gt;  </td></tr></td></tr></td></tr></td></tr></td></tr></td></tr></td></tr></td></tr></td></tr></td></tr></td></tr></td></tr></td></tr></td></tr></td></tr></td></tr></td></tr></td></tr></td></tr></td></tr></td></tr></td></tr></td></tr></td></tr></td></tr></td></tr></td></tr></td></tr></td></tr></td></tr></td></tr></td></tr></td></tr></td></tr></td></tr></td></tr></td></tr></td></tr></td></tr></td></tr></td></tr></td></tr>   | U-9  | " | " | V-675  | 122  | 1/2 | 2900   | 1\"/> <tr> <td>U-10</td> <td>"</td> <td>"</td> <td>V-675</td> <td>122</td> <td>1/2</td> <td>2900</td> <td>1\"/&gt;  <tr> <td>U-11</td> <td>"</td> <td>"</td> <td>V-675</td> <td>122</td> <td>1/2</td> <td>2900</td> <td>1\"/&gt;  <tr> <td>U-12</td> <td>"</td> <td>"</td> <td>V-675</td> <td>122</td> <td>1/2</td> <td>2900</td> <td>1\"/&gt;  <tr> <td>U-13</td> <td>"</td> <td>"</td> <td>V-675</td> <td>122</td> <td>1/2</td> <td>2900</td> <td>1\"/&gt;  <tr> <td>U-14</td> <td>"</td> <td>"</td> <td>V-675</td> <td>122</td> <td>1/2</td> <td>2900</td> <td>1\"/&gt;  <tr> <td>U-15</td> <td>"</td> <td>"</td> <td>V-675</td> <td>122</td> <td>1/2</td> <td>2900</td> <td>1\"/&gt;  <tr> <td>U-16</td> <td>"</td> <td>"</td> <td>V-675</td> <td>122</td> <td>1/2</td> <td>2900</td> <td>1\"/&gt;  <tr> <td>U-17</td> <td>"</td> <td>"</td> <td>V-675</td> <td>122</td> <td>1/2</td> <td>2900</td> <td>1\"/&gt;  <tr> <td>U-18</td> <td>"</td> <td>"</td> <td>V-675</td> <td>122</td> <td>1/2</td> <td>2900</td> <td>1\"/&gt;  <tr> <td>U-19</td> <td>"</td> <td>"</td> <td>V-675</td> <td>122</td> <td>1/2</td> <td>2900</td> <td>1\"/&gt;  <tr> <td>U-20</td> <td>"</td> <td>"</td> <td>V-675</td> <td>122</td> <td>1/2</td> <td>2900</td> <td>1\"/&gt;  <tr> <td>U-21</td> <td>"</td> <td>"</td> <td>V-675</td> <td>122</td> <td>1/2</td> <td>2900</td> <td>1\"/&gt;  <tr> <td>U-22</td> <td>"</td> <td>"</td> <td>V-675</td> <td>122</td> <td>1/2</td> <td>2900</td> <td>1\"/&gt;  <tr> <td>U-23</td> <td>"</td> <td>"</td> <td>V-675</td> <td>122</td> <td>1/2</td> <td>2900</td> <td>1\"/&gt;  <tr> <td>U-24</td> <td>"</td> <td>"</td> <td>V-675</td> <td>122</td> <td>1/2</td> <td>2900</td> <td>1\"/&gt;  <tr> <td>U-25</td> <td>"</td> <td>"</td> <td>V-675</td> <td>122</td> <td>1/2</td> <td>2900</td> <td>1\"/&gt;  <tr> <td>U-26</td> <td>"</td> <td>"</td> <td>V-675</td> <td>122</td> <td>1/2</td> <td>2900</td> <td>1\"/&gt;  <tr> <td>U-27</td> <td>"</td> <td>"</td> <td>V-675</td> <td>122</td> <td>1/2</td> <td>2900</td> <td>1\"/&gt;  <tr> <td>U-28</td> <td>"</td> <td>"</td> <td>V-675</td> <td>122</td> <td>1/2</td> <td>2900</td> <td>1\"/&gt;  <tr> <td>U-29</td> <td>"</td> <td>"</td> <td>V-675</td> <td>122</td> <td>1/2</td> <td>2900</td> <td>1\"/&gt;  <tr> <td>U-30</td> <td>"</td> <td>"</td> <td>V-675</td> <td>122</td> <td>1/2</td> <td>2900</td> <td>1\"/&gt;  <tr> <td>U-31</td> <td>"</td> <td>"</td> <td>V-675</td> <td>122</td> <td>1/2</td> <td>2900</td> <td>1\"/&gt;  <tr> <td>U-32</td> <td>"</td> <td>"</td> <td>V-675</td> <td>122</td> <td>1/2</td> <td>2900</td> <td>1\"/&gt;  <tr> <td>U-33</td> <td>"</td> <td>"</td> <td>V-675</td> <td>122</td> <td>1/2</td> <td>2900</td> <td>1\"/&gt;  <tr> <td>U-34</td> <td>"</td> <td>"</td> <td>V-675</td> <td>122</td> <td>1/2</td> <td>2900</td> <td>1\"/&gt;  <tr> <td>U-35</td> <td>"</td> <td>"</td> <td>V-675</td> <td>122</td> <td>1/2</td> <td>2900</td> <td>1\"/&gt;  <tr> <td>U-36</td> <td>"</td> <td>"</td> <td>V-675</td> <td>122</td> <td>1/2</td> <td>2900</td> <td>1\"/&gt;  <tr> <td>U-37</td> <td>"</td> <td>"</td> <td>V-675</td> <td>122</td> <td>1/2</td> <td>2900</td> <td>1\"/&gt;  <tr> <td>U-38</td> <td>"</td> <td>"</td> <td>V-675</td> <td>122</td> <td>1/2</td> <td>2900</td> <td>1\"/&gt;  <tr> <td>U-39</td> <td>"</td> <td>"</td> <td>V-675</td> <td>122</td> <td>1/2</td> <td>2900</td> <td>1\"/&gt; 
<tr> <td>U-40</td> <td>"</td> <td>"</td> <td>V-675</td> <td>122</td> <td>1/2</td> <td>2900</td> <td>1\"/&gt;  <tr> <td>U-41</td> <td>"</td> <td>"</td> <td>V-675</td> <td>122</td> <td>1/2</td> <td>2900</td> <td>1\"/&gt;  <tr> <td>U-42</td> <td>"</td> <td>"</td> <td>V-675</td> <td>122</td> <td>1/2</td> <td>2900</td> <td>1\"/&gt;  <tr> <td>U-43</td> <td>"</td> <td>"</td> <td>V-675</td> <td>122</td> <td>1/2</td> <td>2900</td> <td>1\"/&gt;  <tr> <td>U-44</td> <td>"</td> <td>"</td> <td>V-675</td> <td>122</td> <td>1/2</td> <td>2900</td> <td>1\"/&gt;  <tr> <td>U-45</td> <td>"</td> <td>"</td> <td>V-675</td> <td>122</td> <td>1/2</td> <td>2900</td> <td>1\"/&gt;  <tr> <td>U-46</td> <td>"</td> <td>"</td> <td>V-675</td> <td>122</td> <td>1/2</td> <td>2900</td> <td>1\"/&gt;  <tr> <td>U-47</td> <td>"</td> <td>"</td> <td>V-675</td> <td>122</td> <td>1/2</td> <td>2900</td> <td>1\"/&gt;  <tr> <td>U-48</td> <td>"</td> <td>"</td> <td>V-675</td> <td>122</td> <td>1/2</td> <td>2900</td> <td>1\"/&gt;  <tr> <td>U-49</td> <td>"</td> <td>"</td> <td>V-675</td> <td>122</td> <td>1/2</td> <td>2900</td> <td>1\"/&gt;  <tr> <td>U-50</td> <td>"</td> <td>"</td> <td>V-675</td> <td>122</td> <td>1/2</td> <td>2900</td> <td>1\"/&gt;  </td></tr></td></tr></td></tr></td></tr></td></tr></td></tr></td></tr></td></tr></td></tr></td></tr></td></tr></td></tr></td></tr></td></tr></td></tr></td></tr></td></tr></td></tr></td></tr></td></tr></td></tr></td></tr></td></tr></td></tr></td></tr></td></tr></td></tr></td></tr></td></tr></td></tr></td></tr></td></tr></td></tr></td></tr></td></tr></td></tr></td></tr></td></tr></td></tr></td></tr></td></tr>   | U-10 | " | " | V-675  | 122 | 1/2 | 2900   | 1\"/> <tr> <td>U-11</td> <td>"</td> <td>"</td> <td>V-675</td> <td>122</td> <td>1/2</td> <td>2900</td> <td>1\"/&gt;  <tr> <td>U-12</td> <td>"</td> <td>"</td> <td>V-675</td> <td>122</td> <td>1/2</td> <td>2900</td> <td>1\"/&gt;  <tr> <td>U-13</td> <td>"</td> <td>"</td> <td>V-675</td> <td>122</td> <td>1/2</td> <td>2900</td> <td>1\"/&gt;  <tr> <td>U-14</td> <td>"</td> <td>"</td> <td>V-675</td> <td>122</td> <td>1/2</td> <td>2900</td> <td>1\"/&gt;  <tr> <td>U-15</td> <td>"</td> <td>"</td> <td>V-675</td> <td>122</td> <td>1/2</td> <td>2900</td> <td>1\"/&gt;  <tr> <td>U-16</td> <td>"</td> <td>"</td> <td>V-675</td> <td>122</td> <td>1/2</td> <td>2900</td> <td>1\"/&gt;  <tr> <td>U-17</td> <td>"</td> <td>"</td> <td>V-675</td> <td>122</td> <td>1/2</td> <td>2900</td> <td>1\"/&gt;  <tr> <td>U-18</td> <td>"</td> <td>"</td> <td>V-675</td> <td>122</td> <td>1/2</td> <td>2900</td> <td>1\"/&gt;  <tr> <td>U-19</td> <td>"</td> <td>"</td> <td>V-675</td> <td>122</td> <td>1/2</td> <td>2900</td> <td>1\"/&gt;  <tr> <td>U-20</td> <td>"</td> <td>"</td> <td>V-675</td> <td>122</td> <td>1/2</td> <td>2900</td> <td>1\"/&gt;  <tr> <td>U-21</td> <td>"</td> <td>"</td> <td>V-675</td> <td>122</td> <td>1/2</td> <td>2900</td> <td>1\"/&gt;  <tr> <td>U-22</td> <td>"</td> <td>"</td> <td>V-675</td> <td>122</td> <td>1/2</td> <td>2900</td> <td>1\"/&gt;  <tr> <td>U-23</td> <td>"</td> <td>"</td> <td>V-675</td> <td>122</td> <td>1/2</td> <td>2900</td> <td>1\"/&gt;  <tr> <td>U-24</td> <td>"</td> <td>"</td> <td>V-675</td> <td>122</td> <td>1/2</td> <td>2900</td> <td>1\"/&gt;  <tr> <td>U-25</td> <td>"</td> <td>"</td> <td>V-675</td> <td>122</td> <td>1/2</td> <td>2900</td> <td>1\"/&gt;  <tr> <td>U-26</td> <td>"</td> <td>"</td> <td>V-675</td> <td>122</td> <td>1/2</td> <td>2900</td> <td>1\"/&gt;  <tr> <td>U-27</td> <td>"</td> <td>"</td> <td>V-675</td> <td>122</td> <td>1/2</td> <td>2900</td> <td>1\"/&gt;  <tr> <td>U-28</td> <td>"</td> <td>"</td> <td>V-675</td> <td>122</td> <td>1/2</td> <td>2900</td> <td>1\"/&gt;  <tr> <td>U-29</td> <td>"</td> <td>"</td> <td>V-675</td> <td>122</td> <td>1/2</td> <td>2900</td> <td>1\"/&gt;  <tr> <td>U-30</td> <td>"</td> <td>"</td> <td>V-675</td> <td>122</td> <td>1/2</td> <td>2900</td> <td>1\"/&gt;  <tr> <td>U-31</td> <td>"</td> <td>"</td> <td>V-675</td> <td>122</td> <td>1/2</td> <td>2900</td> <td>1\"/&gt;  <tr> <td>U-32</td> <td>"</td> <td>"</td> <td>V-675</td> <td>122</td> <td>1/2</td> <td>2900</td> <td>1\"/&gt;  <tr> <td>U-33</td> <td>"</td> <td>"</td> <td>V-675</td> <td>122</td> <td>1/2</td> <td>2900</td> <td>1\"/&gt;  <tr> <td>U-34</td> <td>"</td> <td>"</td> <td>V-675</td> <td>122</td> <td>1/2</td> <td>2900</td> <td>1\"/&gt;  <tr> <td>U-35</td> <td>"</td> <td>"</td> <td>V-675</td> <td>122</td> <td>1/2</td> <td>2900</td> <td>1\"/&gt;  <tr> <td>U-36</td> <td>"</td> <td>"</td> <td>V-675</td> <td>122</td> <td>1/2</td> <td>2900</td> <td>1\"/&gt;  <tr> <td>U-37</td> <td>"</td> <td>"</td> <td>V-675</td> <td>122</td> <td>1/2</td> <td>2900</td> <td>1\"/&gt;  <tr> <td>U-38</td> <td>"</td> <td>"</td> <td>V-675</td> <td>122</td> <td>1/2</td> <td>2900</td> <td>1\"/&gt;  <tr> <td>U-39</td> <td>"</td> <td>"</td> <td>V-675</td> <td>122</td> <td>1/2</td> <td>2900</td> <td>1\"/&gt;  <tr> <td>U-40</td> <td>"</td> <td>"</td> <td>V-675</td> <td>122</td> <td>1/2</td> <td>2900</td> <td>1\"/&gt;  <tr> <td>U-41</td> <td>"</td> <td>"</td> <td>V-675</td> <td>122</td> <td>1/2</td> <td>2900</td> <td>1\"/&gt;  <tr> <td>U-42</td> <td>"</td> <td>"</td> <td>V-675</td> <td>122</td> <td>1/2</td> <td>2900</td> <td>1\"/&gt;  <tr> <td>U-43</td> <td>"</td> <td>"</td> <td>V-675</td> <td>122</td> <td>1/2</td> <td>2900</td> <td>1\"/&gt;  <tr> <td>U-44</td> <td>"</td> <td>"</td> <td>V-675</td> <td>122</td> <td>1/2</td> <td>2900</td> <td>1\"/&gt;  <tr> <td>U-45</td> <td>"</td> <td>"</td> <td>V-675</td> <td>122</td> <td>1/2</td> <td>2900</td> <td>1\"/&gt;  <tr> <td>U-46</td> <td>"</td> <td>"</td> <td>V-675</td> <td>122</td> <td>1/2</td> <td>2900</td> <td>1\"/&gt;  <tr> <td>U-47</td> <td>"</td> <td>"</td> <td>V-675</td> <td>122</td> <td>1/2</td> <td>2900</td> <td>1\"/&gt;  <tr> <td>U-48</td> <td>"</td> <td>"</td> <td>V-675</td> <td>122</td> <td>1/2</td> <td>2900</td> <td>1\"/&gt;  <tr> <td>U-49</td> <td>"</td> <td>"</td> <td>V-675</td> <td>122</td> <td>1/2</td> <td>2900</td> <td>1\"/&gt;  <tr> <td>U-50</td> <td>"</td> <td>"</td> <td>V-675</td> <td>122</td> <td>1/2</td> <td>2900</td> <td>1\"/&gt;  </td></tr></td></tr></td></tr></td></tr></td></tr></td></tr></td></tr></td></tr></td></tr></td></tr></td></tr></td></tr></td></tr></td></tr></td></tr></td></tr></td></tr></td></tr></td></tr></td></tr></td></tr></td></tr></td></tr></td></tr></td></tr></td></tr></td></tr></td></tr></td></tr></td></tr></td></tr></td></tr></td></tr></td></tr></td></tr></td></tr></td></tr></td></tr></td></tr></td></tr>   | U-11 | " | " | V-675 | 122 | 1/2 | 2900    | 1\"/> <tr> <td>U-12</td> <td>"</td> <td>"</td> <td>V-675</td> <td>122</td> <td>1/2</td> <td>2900</td> <td>1\"/&gt;  <tr> <td>U-13</td> <td>"</td> <td>"</td> <td>V-675</td> <td>122</td> <td>1/2</td> <td>2900</td> <td>1\"/&gt;  <tr> <td>U-14</td> <td>"</td> <td>"</td> <td>V-675</td> <td>122</td> <td>1/2</td> <td>2900</td> <td>1\"/&gt;  <tr> <td>U-15</td> <td>"</td> <td>"</td> <td>V-675</td> <td>122</td> <td>1/2</td> <td>2900</td> <td>1\"/&gt;  <tr> <td>U-16</td> <td>"</td> <td>"</td> <td>V-675</td> <td>122</td> <td>1/2</td> <td>2900</td> <td>1\"/&gt;  <tr> <td>U-17</td> <td>"</td> <td>"</td> <td>V-675</td> <td>122</td> <td>1/2</td> <td>2900</td> <td>1\"/&gt;  <tr> <td>U-18</td> <td>"</td> <td>"</td> <td>V-675</td> <td>122</td> <td>1/2</td> <td>2900</td> <td>1\"/&gt;  <tr> <td>U-19</td> <td>"</td> <td>"</td> <td>V-675</td> <td>122</td> <td>1/2</td> <td>2900</td> <td>1\"/&gt;  <tr> <td>U-20</td> <td>"</td> <td>"</td> <td>V-675</td> <td>122</td> <td>1/2</td> <td>2900</td> <td>1\"/&gt;  <tr> <td>U-21</td> <td>"</td> <td>"</td> <td>V-675</td> <td>122</td> <td>1/2</td> <td>2900</td> <td>1\"/&gt;  <tr> <td>U-22</td> <td>"</td> <td>"</td> <td>V-675</td> <td>122</td> <td>1/2</td> <td>2900</td> <td>1\"/&gt;  <tr> <td>U-23</td> <td>"</td> <td>"</td> <td>V-675</td> <td>122</td> <td>1/2</td> <td>2900</td> <td>1\"/&gt;  <tr> <td>U-24</td> <td>"</td> <td>"</td> <td>V-675</td> <td>122</td> <td>1/2</td> <td>2900</td> <td>1\"/&gt;  <tr> <td>U-25</td> <td>"</td> <td>"</td> <td>V-675</td> <td>122</td> <td>1/2</td> <td>2900</td> <td>1\"/&gt;  <tr> <td>U-26</td> <td>"</td> <td>"</td> <td>V-675</td> <td>122</td> <td>1/2</td> <td>2900</td> <td>1\"/&gt;  <tr> <td>U-27</td> <td>"</td> <td>"</td> <td>V-675</td> <td>122</td> <td>1/2</td> <td>2900</td> <td>1\"/&gt;  <tr> <td>U-28</td> <td>"</td> <td>"</td>
<td>V-675</td> <td>122</td> <td>1/2</td> <td>2900</td> <td>1\"/&gt;  <tr> <td>U-29</td> <td>"</td> <td>"</td> <td>V-675</td> <td>122</td> <td>1/2</td> <td>2900</td> <td>1\"/&gt;  <tr> <td>U-30</td> <td>"</td> <td>"</td> <td>V-675</td> <td>122</td> <td>1/2</td> <td>2900</td> <td>1\"/&gt;  <tr> <td>U-31</td> <td>"</td> <td>"</td> <td>V-675</td> <td>122</td> <td>1/2</td> <td>2900</td> <td>1\"/&gt;  <tr> <td>U-32</td> <td>"</td> <td>"</td> <td>V-675</td> <td>122</td> <td>1/2</td> <td>2900</td> <td>1\"/&gt;  <tr> <td>U-33</td> <td>"</td> <td>"</td> <td>V-675</td> <td>122</td> <td>1/2</td> <td>2900</td> <td>1\"/&gt;  <tr> <td>U-34</td> <td>"</td> <td>"</td> <td>V-675</td> <td>122</td> <td>1/2</td> <td>2900</td> <td>1\"/&gt;  <tr> <td>U-35</td> <td>"</td> <td>"</td> <td>V-675</td> <td>122</td> <td>1/2</td> <td>2900</td> <td>1\"/&gt;  <tr> <td>U-36</td> <td>"</td> <td>"</td> <td>V-675</td> <td>122</td> <td>1/2</td> <td>2900</td> <td>1\"/&gt;  <tr> <td>U-37</td> <td>"</td> <td>"</td> <td>V-675</td> <td>122</td> <td>1/2</td> <td>2900</td> <td>1\"/&gt;  <tr> <td>U-38</td> <td>"</td> <td>"</td> <td>V-675</td> <td>122</td> <td>1/2</td> <td>2900</td> <td>1\"/&gt;  <tr> <td>U-39</td> <td>"</td> <td>"</td> <td>V-675</td> <td>122</td> <td>1/2</td> <td>2900</td> <td>1\"/&gt;  <tr> <td>U-40</td> <td>"</td> <td>"</td> <td>V-675</td> <td>122</td> <td>1/2</td> <td>2900</td> <td>1\"/&gt;  <tr> <td>U-41</td> <td>"</td> <td>"</td> <td>V-675</td> <td>122</td> <td>1/2</td> <td>2900</td> <td>1\"/&gt;  <tr> <td>U-42</td> <td>"</td> <td>"</td> <td>V-675</td> <td>122</td> <td>1/2</td> <td>2900</td> <td>1\"/&gt;  <tr> <td>U-43</td> <td>"</td> <td>"</td> <td>V-675</td> <td>122</td> <td>1/2</td> <td>2900</td> <td>1\"/&gt;  <tr> <td>U-44</td> <td>"</td> <td>"</td> <td>V-675</td> <td>122</td> <td>1/2</td> <td>2900</td> <td>1\"/&gt;  <tr> <td>U-45</td> <td>"</td> <td>"</td> <td>V-675</td> <td>122</td> <td>1/2</td> <td>2900</td> <td>1\"/&gt;  <tr> <td>U-46</td> <td>"</td> <td>"</td> <td>V-675</td> <td>122</td> <td>1/2</td> <td>2900</td> <td>1\"/&gt;  <tr> <td>U-47</td> <td>"</td> <td>"</td> <td>V-675</td> <td>122</td> <td>1/2</td> <td>2900</td> <td>1\"/&gt;  <tr> <td>U-48</td> <td>"</td> <td>"</td> <td>V-675</td> <td>122</td> <td>1/2</td> <td>2900</td> <td>1\"/&gt;  <tr> <td>U-49</td> <td>"</td> <td>"</td> <td>V-675</td> <td>122</td> <td>1/2</td> <td>2900</td> <td>1\"/&gt;  <tr> <td>U-50</td> <td>"</td> <td>"</td> <td>V-675</td> <td>122</td> <td>1/2</td> <td>2900</td> <td>1\"/&gt;  </td></tr></td></tr></td></tr></td></tr></td></tr></td></tr></td></tr></td></tr></td></tr></td></tr></td></tr></td></tr></td></tr></td></tr></td></tr></td></tr></td></tr></td></tr></td></tr></td></tr></td></tr></td></tr></td></tr></td></tr></td></tr></td></tr></td></tr></td></tr></td></tr></td></tr></td></tr></td></tr></td></tr></td></tr></td></tr></td></tr></td></tr></td></tr></td></tr>  | U-12 | " | " | V-675 | 122 | 1/2 | 2900   | 1\"/> <tr> <td>U-13</td> <td>"</td> <td>"</td> <td>V-675</td> <td>122</td> <td>1/2</td> <td>2900</td> <td>1\"/&gt;  <tr> <td>U-14</td> <td>"</td> <td>"</td> <td>V-675</td> <td>122</td> <td>1/2</td> <td>2900</td> <td>1\"/&gt;  <tr> <td>U-15</td> <td>"</td> <td>"</td> <td>V-675</td> <td>122</td> <td>1/2</td> <td>2900</td> <td>1\"/&gt;  <tr> <td>U-16</td> <td>"</td> <td>"</td> <td>V-675</td> <td>122</td> <td>1/2</td> <td>2900</td> <td>1\"/&gt;  <tr> <td>U-17</td> <td>"</td> <td>"</td> <td>V-675</td> <td>122</td> <td>1/2</td> <td>2900</td> <td>1\"/&gt;  <tr> <td>U-18</td> <td>"</td> <td>"</td> <td>V-675</td> <td>122</td> <td>1/2</td> <td>2900</td> <td>1\"/&gt;  <tr> <td>U-19</td> <td>"</td> <td>"</td> <td>V-675</td> <td>122</td> <td>1/2</td> <td>2900</td> <td>1\"/&gt;  <tr> <td>U-20</td> <td>"</td> <td>"</td> <td>V-675</td> <td>122</td> <td>1/2</td> <td>2900</td> <td>1\"/&gt;  <tr> <td>U-21</td> <td>"</td> <td>"</td> <td>V-675</td> <td>122</td> <td>1/2</td> <td>2900</td> <td>1\"/&gt;  <tr> <td>U-22</td> <td>"</td> <td>"</td> <td>V-675</td> <td>122</td> <td>1/2</td> <td>2900</td> <td>1\"/&gt;  <tr> <td>U-23</td> <td>"</td> <td>"</td> <td>V-675</td> <td>122</td> <td>1/2</td> <td>2900</td> <td>1\"/&gt;  <tr> <td>U-24</td> <td>"</td> <td>"</td> <td>V-675</td> <td>122</td> <td>1/2</td> <td>2900</td> <td>1\"/&gt;  <tr> <td>U-25</td> <td>"</td> <td>"</td> <td>V-675</td> <td>122</td> <td>1/2</td> <td>2900</td> <td>1\"/&gt;  <tr> <td>U-26</td> <td>"</td> <td>"</td> <td>V-675</td> <td>122</td> <td>1/2</td> <td>2900</td> <td>1\"/&gt;  <tr> <td>U-27</td> <td>"</td> <td>"</td> <td>V-675</td> <td>122</td> <td>1/2</td> <td>2900</td> <td>1\"/&gt;  <tr> <td>U-28</td> <td>"</td> <td>"</td> <td>V-675</td> <td>122</td> <td>1/2</td> <td>2900</td> <td>1\"/&gt;  <tr> <td>U-29</td> <td>"</td> <td>"</td> <td>V-675</td> <td>122</td> <td>1/2</td> <td>2900</td> <td>1\"/&gt;  <tr> <td>U-30</td> <td>"</td> <td>"</td> <td>V-675</td> <td>122</td> <td>1/2</td> <td>2900</td> <td>1\"/&gt;  <tr> <td>U-31</td> <td>"</td> <td>"</td> <td>V-675</td> <td>122</td> <td>1/2</td> <td>2900</td> <td>1\"/&gt;  <tr> <td>U-32</td> <td>"</td> <td>"</td> <td>V-675</td> <td>122</td> <td>1/2</td> <td>2900</td> <td>1\"/&gt;  <tr> <td>U-33</td> <td>"</td> <td>"</td> <td>V-675</td> <td>122</td> <td>1/2</td> <td>2900</td> <td>1\"/&gt;  <tr> <td>U-34</td> <td>"</td> <td>"</td> <td>V-675</td> <td>122</td> <td>1/2</td> <td>2900</td> <td>1\"/&gt;  <tr> <td>U-35</td> <td>"</td> <td>"</td> <td>V-675</td> <td>122</td> <td>1/2</td> <td>2900</td> <td>1\"/&gt;  <tr> <td>U-36</td> <td>"</td> <td>"</td> <td>V-675</td> <td>122</td> <td>1/2</td> <td>2900</td> <td>1\"/&gt;  <tr> <td>U-37</td> <td>"</td> <td>"</td> <td>V-675</td> <td>122</td> <td>1/2</td> <td>2900</td> <td>1\"/&gt;  <tr> <td>U-38</td> <td>"</td> <td>"</td> <td>V-675</td> <td>122</td> <td>1/2</td> <td>2900</td> <td>1\"/&gt;  <tr> <td>U-39</td> <td>"</td> <td>"</td> <td>V-675</td> <td>122</td> <td>1/2</td> <td>2900</td> <td>1\"/&gt;  <tr> <td>U-40</td> <td>"</td> <td>"</td> <td>V-675</td> <td>122</td> <td>1/2</td> <td>2900</td> <td>1\"/&gt;  <tr> <td>U-41</td> <td>"</td> <td>"</td> <td>V-675</td> <td>122</td> <td>1/2</td> <td>2900</td> <td>1\"/&gt;  <tr> <td>U-42</td> <td>"</td> <td>"</td> <td>V-675</td> <td>122</td> <td>1/2</td> <td>2900</td> <td>1\"/&gt;  <tr> <td>U-43</td> <td>"</td> <td>"</td> <td>V-675</td> <td>122</td> <td>1/2</td> <td>2900</td> <td>1\"/&gt;  <tr> <td>U-44</td> <td>"</td> <td>"</td> <td>V-675</td> <td>122</td> <td>1/2</td> <td>2900</td> <td>1\"/&gt;  <tr> <td>U-45</td> <td>"</td> <td>"</td> <td>V-675</td> <td>122</td> <td>1/2</td> <td>2900</td> <td>1\"/&gt;  <tr> <td>U-46</td> <td>"</td> <td>"</td> <td>V-675</td> <td>122</td> <td>1/2</td> <td>2900</td> <td>1\"/&gt;  <tr> <td>U-47</td> <td>"</td> <td>"</td> <td>V-675</td> <td>122</td> <td>1/2</td> <td>2900</td> <td>1\"/&gt;  <tr> <td>U-48</td> <td>"</td> <td>"</td> <td>V-675</td> <td>122</td> <td>1/2</td> <td>2900</td> <td>1\"/&gt;  <tr> <td>U-49</td> <td>"</td> <td>"</td> <td>V-675</td> <td>122</td> <td>1/2</td> <td>2900</td> <td>1\"/&gt;  <tr> <td>U-50</td> <td>"</td> <td>"</td> <td>V-675</td> <td>122</td> <td>1/2</td> <td>2900</td> <td>1\"/&gt;  </td></tr></td></tr></td></tr></td></tr></td></tr></td></tr></td></tr></td></tr></td></tr></td></tr></td></tr></td></tr></td></tr></td></tr></td></tr></td></tr></td></tr></td></tr></td></tr></td></tr></td></tr></td></tr></td></tr></td></tr></td></tr></td></tr></td></tr></td></tr></td></tr></td></tr></td></tr></td></tr></td></tr></td></tr></td></tr></td></tr></td></tr></td></tr>   | U-13 | " | " | V-675 | 122 | 1/2 | 2900    | 1\"/> <tr> <td>U-14</td> <td>"</td> <td>"</td> <td>V-675</td> <td>122</td> <td>1/2</td> <td>2900</td> <td>1\"/&gt;  <tr> <td>U-15</td> <td>"</td> <td>"</td> <td>V-675</td> <td>122</td> <td>1/2</td> <td>2900</td> <td>1\"/&gt;  <tr> <td>U-16</td> <td>"</td> <td>"</td> <td>V-675</td> <td>122</td> <td>1/2</td> <td>2900</td> <td>1\"/&gt;  <tr> <td>U-17</td> <td>"</td> <td>"</td> <td>V-675</td> <td>122</td> <td>1/2</td> <td>2900</td> <td>1\"/&gt;  <tr> <td>U-18</td> <td>"</td> <td>"</td> <td>V-675</td> <td>122</td> <td>1/2</td> <td>2900</td> <td>1\"/&gt;  <tr> <td>U-19</td> <td>"</td> <td>"</td> <td>V-675</td> <td>122</td> <td>1/2</td> <td>2900</td> <td>1\"/&gt;  <tr> <td>U-20</td> <td>"</td> <td>"</td> <td>V-675</td> <td>122</td> <td>1/2</td> <td>2900</td> <td>1\"/&gt;  <tr>
<td>U-21</td> <td>"</td> <td>"</td> <td>V-675</td> <td>122</td> <td>1/2</td> <td>2900</td> <td>1\"/&gt;  <tr> <td>U-22</td> <td>"</td> <td>"</td> <td>V-675</td> <td>122</td> <td>1/2</td> <td>2900</td> <td>1\"/&gt;  <tr> <td>U-23</td> <td>"</td> <td>"</td> <td>V-675</td> <td>122</td> <td>1/2</td> <td>2900</td> <td>1\"/&gt;  <tr> <td>U-24</td> <td>"</td> <td>"</td> <td>V-675</td> <td>122</td> <td>1/2</td> <td>2900</td> <td>1\"/&gt;  <tr> <td>U-25</td> <td>"</td> <td>"</td> <td>V-675</td> <td>122</td> <td>1/2</td> <td>2900</td> <td>1\"/&gt;  <tr> <td>U-26</td> <td>"</td> <td>"</td> <td>V-675</td> <td>122</td> <td>1/2</td> <td>2900</td> <td>1\"/&gt;  <tr> <td>U-27</td> <td>"</td> <td>"</td> <td>V-675</td> <td>122</td> <td>1/2</td> <td>2900</td> <td>1\"/&gt;  <tr> <td>U-28</td> <td>"</td> <td>"</td> <td>V-675</td> <td>122</td> <td>1/2</td> <td>2900</td> <td>1\"/&gt;  <tr> <td>U-29</td> <td>"</td> <td>"</td> <td>V-675</td> <td>122</td> <td>1/2</td> <td>2900</td> <td>1\"/&gt;  <tr> <td>U-30</td> <td>"</td> <td>"</td> <td>V-675</td> <td>122</td> <td>1/2</td> <td>2900</td> <td>1\"/&gt;  <tr> <td>U-31</td> <td>"</td> <td>"</td> <td>V-675</td> <td>122</td> <td>1/2</td> <td>2900</td> <td>1\"/&gt;  <tr> <td>U-32</td> <td>"</td> <td>"</td> <td>V-675</td> <td>122</td> <td>1/2</td> <td>2900</td> <td>1\"/&gt;  <tr> <td>U-33</td> <td>"</td> <td>"</td> <td>V-675</td> <td>122</td> <td>1/2</td> <td>2900</td> <td>1\"/&gt;  <tr> <td>U-34</td> <td>"</td> <td>"</td> <td>V-675</td> <td>122</td> <td>1/2</td> <td>2900</td> <td>1\"/&gt;  <tr> <td>U-35</td> <td>"</td> <td>"</td> <td>V-675</td> <td>122</td> <td>1/2</td> <td>2900</td> <td>1\"/&gt;  <tr> <td>U-36</td> <td>"</td> <td>"</td> <td>V-675</td> <td>122</td> <td>1/2</td> <td>2900</td> <td>1\"/&gt;  <tr> <td>U-37</td> <td>"</td> <td>"</td> <td>V-675</td> <td>122</td> <td>1/2</td> <td>2900</td> <td>1\"/&gt;  <tr> <td>U-38</td> <td>"</td> <td>"</td> <td>V-675</td> <td>122</td> <td>1/2</td> <td>2900</td> <td>1\"/&gt;  <tr> <td>U-39</td> <td>"</td> <td>"</td> <td>V-675</td> <td>122</td> <td>1/2</td> <td>2900</td> <td>1\"/&gt;  <tr> <td>U-40</td> <td>"</td> <td>"</td> <td>V-675</td> <td>122</td> <td>1/2</td> <td>2900</td> <td>1\"/&gt;  <tr> <td>U-41</td> <td>"</td> <td>"</td> <td>V-675</td> <td>122</td> <td>1/2</td> <td>2900</td> <td>1\"/&gt;  <tr> <td>U-42</td> <td>"</td> <td>"</td> <td>V-675</td> <td>122</td> <td>1/2</td> <td>2900</td> <td>1\"/&gt;  <tr> <td>U-43</td> <td>"</td> <td>"</td> <td>V-675</td> <td>122</td> <td>1/2</td> <td>2900</td> <td>1\"/&gt;  <tr> <td>U-44</td> <td>"</td> <td>"</td> <td>V-675</td> <td>122</td> <td>1/2</td> <td>2900</td> <td>1\"/&gt;  <tr> <td>U-45</td> <td>"</td> <td>"</td> <td>V-675</td> <td>122</td> <td>1/2</td> <td>2900</td> <td>1\"/&gt;  <tr> <td>U-46</td> <td>"</td> <td>"</td> <td>V-675</td> <td>122</td> <td>1/2</td> <td>2900</td> <td>1\"/&gt;  <tr> <td>U-47</td> <td>"</td> <td>"</td> <td>V-675</td> <td>122</td> <td>1/2</td> <td>2900</td> <td>1\"/&gt;  <tr> <td>U-48</td> <td>"</td> <td>"</td> <td>V-675</td> <td>122</td> <td>1/2</td> <td>2900</td> <td>1\"/&gt;  <tr> <td>U-49</td> <td>"</td> <td>"</td> <td>V-675</td> <td>122</td> <td>1/2</td> <td>2900</td> <td>1\"/&gt;  <tr> <td>U-50</td> <td>"</td> <td>"</td> <td>V-675</td> <td>122</td> <td>1/2</td> <td>2900</td> <td>1\"/&gt;  </td></tr></td></tr></td></tr></td></tr></td></tr></td></tr></td></tr></td></tr></td></tr></td></tr></td></tr></td></tr></td></tr></td></tr></td></tr></td></tr></td></tr></td></tr></td></tr></td></tr></td></tr></td></tr></td></tr></td></tr></td></tr></td></tr></td></tr></td></tr></td></tr></td></tr></td></tr></td></tr></td></tr></td></tr></td></tr></td></tr></td></tr>  | U-14 | "           | "      | V-675  | 122  | 1/2 | 2900 | 1\"/> <tr> <td>U-15</td> <td>"</td> <td>"</td> <td>V-675</td> <td>122</td> <td>1/2</td> <td>2900</td> <td>1\"/&gt;  <tr> <td>U-16</td> <td>"</td> <td>"</td> <td>V-675</td> <td>122</td> <td>1/2</td> <td>2900</td> <td>1\"/&gt;  <tr> <td>U-17</td> <td>"</td> <td>"</td> <td>V-675</td> <td>122</td> <td>1/2</td> <td>2900</td> <td>1\"/&gt;  <tr> <td>U-18</td> <td>"</td> <td>"</td> <td>V-675</td> <td>122</td> <td>1/2</td> <td>2900</td> <td>1\"/&gt;  <tr> <td>U-19</td> <td>"</td> <td>"</td> <td>V-675</td> <td>122</td> <td>1/2</td> <td>2900</td> <td>1\"/&gt;  <tr> <td>U-20</td> <td>"</td> <td>"</td> <td>V-675</td> <td>122</td> <td>1/2</td> <td>2900</td> <td>1\"/&gt;  <tr> <td>U-21</td> <td>"</td> <td>"</td> <td>V-675</td> <td>122</td> <td>1/2</td> <td>2900</td> <td>1\"/&gt;  <tr> <td>U-22</td> <td>"</td> <td>"</td> <td>V-675</td> <td>122</td> <td>1/2</td> <td>2900</td> <td>1\"/&gt;  <tr> <td>U-23</td> <td>"</td> <td>"</td> <td>V-675</td> <td>122</td> <td>1/2</td> <td>2900</td> <td>1\"/&gt;  <tr> <td>U-24</td> <td>"</td> <td>"</td> <td>V-675</td> <td>122</td> <td>1/2</td> <td>2900</td> <td>1\"/&gt;  <tr> <td>U-25</td> <td>"</td> <td>"</td> <td>V-675</td> <td>122</td> <td>1/2</td> <td>2900</td> <td>1\"/&gt;  <tr> <td>U-26</td> <td>"</td> <td>"</td> <td>V-675</td> <td>122</td> <td>1/2</td> <td>2900</td> <td>1\"/&gt;  <tr> <td>U-27</td> <td>"</td> <td>"</td> <td>V-675</td> <td>122</td> <td>1/2</td> <td>2900</td> <td>1\"/&gt;  <tr> <td>U-28</td> <td>"</td> <td>"</td> <td>V-675</td> <td>122</td> <td>1/2</td> <td>2900</td> <td>1\"/&gt;  <tr> <td>U-29</td> <td>"</td> <td>"</td> <td>V-675</td> <td>122</td> <td>1/2</td> <td>2900</td> <td>1\"/&gt;  <tr> <td>U-30</td> <td>"</td> <td>"</td> <td>V-675</td> <td>122</td> <td>1/2</td> <td>2900</td> <td>1\"/&gt;  <tr> <td>U-31</td> <td>"</td> <td>"</td> <td>V-675</td> <td>122</td> <td>1/2</td> <td>2900</td> <td>1\"/&gt;  <tr> <td>U-32</td> <td>"</td> <td>"</td> <td>V-675</td> <td>122</td> <td>1/2</td> <td>2900</td> <td>1\"/&gt;  <tr> <td>U-33</td> <td>"</td> <td>"</td> <td>V-675</td> <td>122</td> <td>1/2</td> <td>2900</td> <td>1\"/&gt;  <tr> <td>U-34</td> <td>"</td> <td>"</td> <td>V-675</td> <td>122</td> <td>1/2</td> <td>2900</td> <td>1\"/&gt;  <tr> <td>U-35</td> <td>"</td> <td>"</td> <td>V-675</td> <td>122</td> <td>1/2</td> <td>2900</td> <td>1\"/&gt;  <tr> <td>U-36</td> <td>"</td> <td>"</td> <td>V-675</td> <td>122</td> <td>1/2</td> <td>2900</td> <td>1\"/&gt;  <tr> <td>U-37</td> <td>"</td> <td>"</td> <td>V-675</td> <td>122</td> <td>1/2</td> <td>2900</td> <td>1\"/&gt;  <tr> <td>U-38</td> <td>"</td> <td>"</td> <td>V-675</td> <td>122</td> <td>1/2</td> <td>2900</td> <td>1\"/&gt;  <tr> <td>U-39</td> <td>"</td> <td>"</td> <td>V-675</td> <td>122</td> <td>1/2</td> <td>2900</td> <td>1\"/&gt;  <tr> <td>U-40</td> <td>"</td> <td>"</td> <td>V-675</td> <td>122</td> <td>1/2</td> <td>2900</td> <td>1\"/&gt;  <tr> <td>U-41</td> <td>"</td> <td>"</td> <td>V-675</td> <td>122</td> <td>1/2</td> <td>2900</td> <td>1\"/&gt;  <tr> <td>U-42</td> <td>"</td> <td>"</td> <td>V-675</td> <td>122</td> <td>1/2</td> <td>2900</td> <td>1\"/&gt;  <tr> <td>U-43</td> <td>"</td> <td>"</td> <td>V-675</td> <td>122</td> <td>1/2</td> <td>2900</td> <td>1\"/&gt;  <tr> <td>U-44</td> <td>"</td> <td>"</td> <td>V-675</td> <td>122</td> <td>1/2</td> <td>2900</td> <td>1\"/&gt;  <tr> <td>U-45</td> <td>"</td> <td>"</td> <td>V-675</td> <td>122</td> <td>1/2</td> <td>2900</td> <td>1\"/&gt;  <tr> <td>U-46</td> <td>"</td> <td>"</td> <td>V-675</td> <td>122</td> <td>1/2</td> <td>2900</td> <td>1\"/&gt;  <tr> <td>U-47</td> <td>"</td> <td>"</td> <td>V-675</td> <td>122</td> <td>1/2</td> <td>2900</td> <td>1\"/&gt;  <tr> <td>U-48</td> <td>"</td> <td>"</td> <td>V-675</td> <td>122</td> <td>1/2</td> <td>2900</td> <td>1\"/&gt;  <tr> <td>U-49</td> <td>"</td> <td>"</td> <td>V-675</td> <td>122</td> <td>1/2</td> <td>2900</td> <td>1\"/&gt;  <tr> <td>U-50</td> <td>"</td> <td>"</td> <td>V-675</td> <td>122</td> <td>1/2</td> <td>2900</td> <td>1\"/&gt;  </td></tr></td></tr></td></tr></td></tr></td></tr></td></tr></td></tr></td></tr></td></tr></td></tr></td></tr></td></tr></td></tr></td></tr></td></tr></td></tr></td></tr></td></tr></td></tr></td></tr></td></tr></td></tr></td></tr></td></tr></td></tr></td></tr></td></tr></td></tr></td></tr></td></tr></td></tr></td></tr></td></tr></td></tr></td></tr></td></tr>   
  | U-15 | " | " | V-675  | 122  | 1/2 | 2900 | 1\"/> <tr> <td>U-16</td> <td>"</td> <td>"</td> <td>V-675</td> <td>122</td> <td>1/2</td> <td>2900</td> <td>1\"/&gt;  <tr> <td>U-17</td> <td>"</td> <td>"</td> <td>V-675</td> <td>122</td> <td>1/2</td> <td>2900</td> <td>1\"/&gt;  <tr> <td>U-18</td> <td>"</td> <td>"</td> <td>V-675</td> <td>122</td> <td>1/2</td> <td>2900</td> <td>1\"/&gt;  <tr> <td>U-19</td> <td>"</td> <td>"</td> <td>V-675</td> <td>122</td> <td>1/2</td> <td>2900</td> <td>1\"/&gt;  <tr> <td>U-20</td> <td>"</td> <td>"</td> <td>V-675</td> <td>122</td> <td>1/2</td> <td>2900</td> <td>1\"/&gt;  <tr> <td>U-21</td> <td>"</td> <td>"</td> <td>V-675</td> <td>122</td> <td>1/2</td> <td>2900</td> <td>1\"/&gt;  <tr> <td>U-22</td> <td>"</td> <td>"</td> <td>V-675</td> <td>122</td> <td>1/2</td> <td>2900</td> <td>1\"/&gt;  <tr> <td>U-23</td> <td>"</td> <td>"</td> <td>V-675</td> <td>122</td> <td>1/2</td> <td>2900</td> <td>1\"/&gt;  <tr> <td>U-24</td> <td>"</td> <td>"</td> <td>V-675</td> <td>122</td> <td>1/2</td> <td>2900</td> <td>1\"/&gt;  <tr> <td>U-25</td> <td>"</td> <td>"</td> <td>V-675</td> <td>122</td> <td>1/2</td> <td>2900</td> <td>1\"/&gt;  <tr> <td>U-26</td> <td>"</td> <td>"</td> <td>V-675</td> <td>122</td> <td>1/2</td> <td>2900</td> <td>1\"/&gt;  <tr> <td>U-27</td> <td>"</td> <td>"</td> <td>V-675</td> <td>122</td> <td>1/2</td> <td>2900</td> <td>1\"/&gt;  <tr> <td>U-28</td> <td>"</td> <td>"</td> <td>V-675</td> <td>122</td> <td>1/2</td> <td>2900</td> <td>1\"/&gt;  <tr> <td>U-29</td> <td>"</td> <td>"</td> <td>V-675</td> <td>122</td> <td>1/2</td> <td>2900</td> <td>1\"/&gt;  <tr> <td>U-30</td> <td>"</td> <td>"</td> <td>V-675</td> <td>122</td> <td>1/2</td> <td>2900</td> <td>1\"/&gt;  <tr> <td>U-31</td> <td>"</td> <td>"</td> <td>V-675</td> <td>122</td> <td>1/2</td> <td>2900</td> <td>1\"/&gt;  <tr> <td>U-32</td> <td>"</td> <td>"</td> <td>V-675</td> <td>122</td> <td>1/2</td> <td>2900</td> <td>1\"/&gt;  <tr> <td>U-33</td> <td>"</td> <td>"</td> <td>V-675</td> <td>122</td> <td>1/2</td> <td>2900</td> <td>1\"/&gt;  <tr> <td>U-34</td> <td>"</td> <td>"</td> <td>V-675</td> <td>122</td> <td>1/2</td> <td>2900</td> <td>1\"/&gt;  <tr> <td>U-35</td> <td>"</td> <td>"</td> <td>V-675</td> <td>122</td> <td>1/2</td> <td>2900</td> <td>1\"/&gt;  <tr> <td>U-36</td> <td>"</td> <td>"</td> <td>V-675</td> <td>122</td> <td>1/2</td> <td>2900</td> <td>1\"/&gt;  <tr> <td>U-37</td> <td>"</td> <td>"</td> <td>V-675</td> <td>122</td> <td>1/2</td> <td>2900</td> <td>1\"/&gt;  <tr> <td>U-38</td> <td>"</td> <td>"</td> <td>V-675</td> <td>122</td> <td>1/2</td> <td>2900</td> <td>1\"/&gt;  <tr> <td>U-39</td> <td>"</td> <td>"</td> <td>V-675</td> <td>122</td> <td>1/2</td> <td>2900</td> <td>1\"/&gt;  <tr> <td>U-40</td> <td>"</td> <td>"</td> <td>V-675</td> <td>122</td> <td>1/2</td> <td>2900</td> <td>1\"/&gt;  <tr> <td>U-41</td> <td>"</td> <td>"</td> <td>V-675</td> <td>122</td> <td>1/2</td> <td>2900</td> <td>1\"/&gt;  <tr> <td>U-42</td> <td>"</td> <td>"</td> <td>V-675</td> <td>122</td> <td>1/2</td> <td>2900</td> <td>1\"/&gt;  <tr> <td>U-43</td> <td>"</td> <td>"</td> <td>V-675</td> <td>122</td> <td>1/2</td> <td>2900</td> <td>1\"/&gt;  <tr> <td>U-44</td> <td>"</td> <td>"</td> <td>V-675</td> <td>122</td> <td>1/2</td> <td>2900</td> <td>1\"/&gt;  <tr> <td>U-45</td> <td>"</td> <td>"</td> <td>V-675</td> <td>122</td> <td>1/2</td> <td>2900</td> <td>1\"/&gt;  <tr> <td>U-46</td> <td>"</td> <td>"</td> <td>V-675</td> <td>122</td> <td>1/2</td> <td>2900</td> <td>1\"/&gt;  <tr> <td>U-47</td> <td>"</td> <td>"</td> <td>V-675</td> <td>122</td> <td>1/2</td> <td>2900</td> <td>1\"/&gt;  <tr> <td>U-48</td> <td>"</td> <td>"</td> <td>V-675</td> <td>122</td> <td>1/2</td> <td>2900</td> <td>1\"/&gt;  <tr> <td>U-49</td> <td>"</td> <td>"</td> <td>V-675</td> <td>122</td> <td>1/2</td> <td>2900</td> <td>1\"/&gt;  <tr> <td>U-50</td> <td>"</td> <td>"</td> <td>V-675</td> <td>122</td> <td>1/2</td> <td>2900</td> <td>1\"/&gt;  </td></tr></td></tr></td></tr></td></tr></td></tr></td></tr></td></tr></td></tr></td></tr></td></tr></td></tr></td></tr></td></tr></td></tr></td></tr></td></tr></td></tr></td></tr></td></tr></td></tr></td></tr></td></tr></td></tr></td></tr></td></tr></td></tr></td></tr></td></tr></td></tr></td></tr></td></tr></td></tr></td></tr></td></tr></td></tr>   | U-16 | " | " | V-675  | 122 | 1/2 | 2900 | 1\"/> <tr> <td>U-17</td> <td>"</td> <td>"</td> <td>V-675</td> <td>122</td> <td>1/2</td> <td>2900</td> <td>1\"/&gt;  <tr> <td>U-18</td> <td>"</td> <td>"</td> <td>V-675</td> <td>122</td> <td>1/2</td> <td>2900</td> <td>1\"/&gt;  <tr> <td>U-19</td> <td>"</td> <td>"</td> <td>V-675</td> <td>122</td> <td>1/2</td> <td>2900</td> <td>1\"/&gt;  <tr> <td>U-20</td> <td>"</td> <td>"</td> <td>V-675</td> <td>122</td> <td>1/2</td> <td>2900</td> <td>1\"/&gt;  <tr> <td>U-21</td> <td>"</td> <td>"</td> <td>V-675</td> <td>122</td> <td>1/2</td> <td>2900</td> <td>1\"/&gt;  <tr> <td>U-22</td> <td>"</td> <td>"</td> <td>V-675</td> <td>122</td> <td>1/2</td> <td>2900</td> <td>1\"/&gt;  <tr> <td>U-23</td> <td>"</td> <td>"</td> <td>V-675</td> <td>122</td> <td>1/2</td> <td>2900</td> <td>1\"/&gt;  <tr> <td>U-24</td> <td>"</td> <td>"</td> <td>V-675</td> <td>122</td> <td>1/2</td> <td>2900</td> <td>1\"/&gt;  <tr> <td>U-25</td> <td>"</td> <td>"</td> <td>V-675</td> <td>122</td> <td>1/2</td> <td>2900</td> <td>1\"/&gt;  <tr> <td>U-26</td> <td>"</td> <td>"</td> <td>V-675</td> <td>122</td> <td>1/2</td> <td>2900</td> <td>1\"/&gt;  <tr> <td>U-27</td> <td>"</td> <td>"</td> <td>V-675</td> <td>122</td> <td>1/2</td> <td>2900</td> <td>1\"/&gt;  <tr> <td>U-28</td> <td>"</td> <td>"</td> <td>V-675</td> <td>122</td> <td>1/2</td> <td>2900</td> <td>1\"/&gt;  <tr> <td>U-29</td> <td>"</td> <td>"</td> <td>V-675</td> <td>122</td> <td>1/2</td> <td>2900</td> <td>1\"/&gt;  <tr> <td>U-30</td> <td>"</td> <td>"</td> <td>V-675</td> <td>122</td> <td>1/2</td> <td>2900</td> <td>1\"/&gt;  <tr> <td>U-31</td> <td>"</td> <td>"</td> <td>V-675</td> <td>122</td> <td>1/2</td> <td>2900</td> <td>1\"/&gt;  <tr> <td>U-32</td> <td>"</td> <td>"</td> <td>V-675</td> <td>122</td> <td>1/2</td> <td>2900</td> <td>1\"/&gt;  <tr> <td>U-33</td> <td>"</td> <td>"</td> <td>V-675</td> <td>122</td> <td>1/2</td> <td>2900</td> <td>1\"/&gt;  <tr> <td>U-34</td> <td>"</td> <td>"</td> <td>V-675</td> <td>122</td> <td>1/2</td> <td>2900</td> <td>1\"/&gt;  <tr> <td>U-35</td> <td>"</td> <td>"</td> <td>V-675</td> <td>122</td> <td>1/2</td> <td>2900</td> <td>1\"/&gt;  <tr> <td>U-36</td> <td>"</td> <td>"</td> <td>V-675</td> <td>122</td> <td>1/2</td> <td>2900</td> <td>1\"/&gt;  <tr> <td>U-37</td> <td>"</td> <td>"</td> <td>V-675</td> <td>122</td> <td>1/2</td> <td>2900</td> <td>1\"/&gt;  <tr> <td>U-38</td> <td>"</td> <td>"</td> <td>V-675</td> <td>122</td> <td>1/2</td> <td>2900</td> <td>1\"/&gt;  <tr> <td>U-39</td> <td>"</td> <td>"</td> <td>V-675</td> <td>122</td> <td>1/2</td> <td>2900</td> <td>1\"/&gt;  <tr> <td>U-40</td> <td>"</td> <td>"</td> <td>V-675</td> <td>122</td> <td>1/2</td> <td>2900</td> <td>1\"/&gt;  <tr> <td>U-41</td> <td>"</td> <td>"</td> <td>V-675</td> <td>122</td> <td>1/2</td> <td>2900</td> <td>1\"/&gt;  <tr> <td>U-42</td> <td>"</td> <td>"</td> <td>V-675</td> <td>122</td> <td>1/2</td> <td>2900</td> <td>1\"/&gt;  <tr> <td>U-43</td> <td>"</td> <td>"</td> <td>V-675</td> <td>122</td> <td>1/2</td> <td>2900</td> <td>1\"/&gt;  <tr> <td>U-44</td> <td>"</td> <td>"</td> <td>V-675</td> <td>122</td> <td>1/2</td> <td>2900</td> <td>1\"/&gt;  <tr> <td>U-45</td> <td>"</td> <td>"</td> <td>V-675</td> <td>122</td> <td>1/2</td> <td>2900</td> <td>1\"/&gt;  <tr> <td>U-46</td> <td>"</td> <td>"</td> <td>V-675</td> <td>122</td> <td>1/2</td> <td>2900</td> <td>1\"/&gt;  <tr> <td>U-47</td> <td>"</td> <td>"</td> <td>V-675</td> <td>122</td> <td>1/2</td> <td>2900</td> <td>1\"/&gt;  <tr> <td>U-48</td> <td>"</td> <td>"</td> <td>V-675</td> <td>122</td> <td>1/2</td> <td>2900</td> <td>1\"/&gt;  <tr> <td>U-49</td> <td>"</td> <td>"</td> <td>V-675</td> <td>122</td> <td>1/2</td> <td>2900</td> <td>1\"/&gt;  <tr> <td>U-50</td> <td>"</td> <td>"</td> <td>V-675</td>
<td>122</td> <td>1/2</td> <td>2900</td> <td>1\"/&gt;  </td></tr></td></tr></td></tr></td></tr></td></tr></td></tr></td></tr></td></tr></td></tr></td></tr></td></tr></td></tr></td></tr></td></tr></td></tr></td></tr></td></tr></td></tr></td></tr></td></tr></td></tr></td></tr></td></tr></td></tr></td></tr></td></tr></td></tr></td></tr></td></tr></td></tr></td></tr></td></tr></td></tr></td></tr>   | U-17 | " | " | V-675 | 122 | 1/2 | 2900 | 1\"/> <tr> <td>U-18</td> <td>"</td> <td>"</td> <td>V-675</td> <td>122</td> <td>1/2</td> <td>2900</td> <td>1\"/&gt;  <tr> <td>U-19</td> <td>"</td> <td>"</td> <td>V-675</td> <td>122</td> <td>1/2</td> <td>2900</td> <td>1\"/&gt;  <tr> <td>U-20</td> <td>"</td> <td>"</td> <td>V-675</td> <td>122</td> <td>1/2</td> <td>2900</td> <td>1\"/&gt;  <tr> <td>U-21</td> <td>"</td> <td>"</td> <td>V-675</td> <td>122</td> <td>1/2</td> <td>2900</td> <td>1\"/&gt;  <tr> <td>U-22</td> <td>"</td> <td>"</td> <td>V-675</td> <td>122</td> <td>1/2</td> <td>2900</td> <td>1\"/&gt;  <tr> <td>U-23</td> <td>"</td> <td>"</td> <td>V-675</td> <td>122</td> <td>1/2</td> <td>2900</td> <td>1\"/&gt;  <tr> <td>U-24</td> <td>"</td> <td>"</td> <td>V-675</td> <td>122</td> <td>1/2</td> <td>2900</td> <td>1\"/&gt;  <tr> <td>U-25</td> <td>"</td> <td>"</td> <td>V-675</td> <td>122</td> <td>1/2</td> <td>2900</td> <td>1\"/&gt;  <tr> <td>U-26</td> <td>"</td> <td>"</td> <td>V-675</td> <td>122</td> <td>1/2</td> <td>2900</td> <td>1\"/&gt;  <tr> <td>U-27</td> <td>"</td> <td>"</td> <td>V-675</td> <td>122</td> <td>1/2</td> <td>2900</td> <td>1\"/&gt;  <tr> <td>U-28</td> <td>"</td> <td>"</td> <td>V-675</td> <td>122</td> <td>1/2</td> <td>2900</td> <td>1\"/&gt;  <tr> <td>U-29</td> <td>"</td> <td>"</td> <td>V-675</td> <td>122</td> <td>1/2</td> <td>2900</td> <td>1\"/&gt;  <tr> <td>U-30</td> <td>"</td> <td>"</td> <td>V-675</td> <td>122</td> <td>1/2</td> <td>2900</td> <td>1\"/&gt;  <tr> <td>U-31</td> <td>"</td> <td>"</td> <td>V-675</td> <td>122</td> <td>1/2</td> <td>2900</td> <td>1\"/&gt;  <tr> <td>U-32</td> <td>"</td> <td>"</td> <td>V-675</td> <td>122</td> <td>1/2</td> <td>2900</td> <td>1\"/&gt;  <tr> <td>U-33</td> <td>"</td> <td>"</td> <td>V-675</td> <td>122</td> <td>1/2</td> <td>2900</td> <td>1\"/&gt;  <tr> <td>U-34</td> <td>"</td> <td>"</td> <td>V-675</td> <td>122</td> <td>1/2</td> <td>2900</td> <td>1\"/&gt;  <tr> <td>U-35</td> <td>"</td> <td>"</td> <td>V-675</td> <td>122</td> <td>1/2</td> <td>2900</td> <td>1\"/&gt;  <tr> <td>U-36</td> <td>"</td> <td>"</td> <td>V-675</td> <td>122</td> <td>1/2</td> <td>2900</td> <td>1\"/&gt;  <tr> <td>U-37</td> <td>"</td> <td>"</td> <td>V-675</td> <td>122</td> <td>1/2</td> <td>2900</td> <td>1\"/&gt;  <tr> <td>U-38</td> <td>"</td> <td>"</td> <td>V-675</td> <td>122</td> <td>1/2</td> <td>2900</td> <td>1\"/&gt;  <tr> <td>U-39</td> <td>"</td> <td>"</td> <td>V-675</td> <td>122</td> <td>1/2</td> <td>2900</td> <td>1\"/&gt;  <tr> <td>U-40</td> <td>"</td> <td>"</td> <td>V-675</td> <td>122</td> <td>1/2</td> <td>2900</td> <td>1\"/&gt;  <tr> <td>U-41</td> <td>"</td> <td>"</td> <td>V-675</td> <td>122</td> <td>1/2</td> <td>2900</td> <td>1\"/&gt;  <tr> <td>U-42</td> <td>"</td> <td>"</td> <td>V-675</td> <td>122</td> <td>1/2</td> <td>2900</td> <td>1\"/&gt;  <tr> <td>U-43</td> <td>"</td> <td>"</td> <td>V-675</td> <td>122</td> <td>1/2</td> <td>2900</td> <td>1\"/&gt;  <tr> <td>U-44</td> <td>"</td> <td>"</td> <td>V-675</td> <td>122</td> <td>1/2</td> <td>2900</td> <td>1\"/&gt;  <tr> <td>U-45</td> <td>"</td> <td>"</td> <td>V-675</td> <td>122</td> <td>1/2</td> <td>2900</td> <td>1\"/&gt;  <tr> <td>U-46</td> <td>"</td> <td>"</td> <td>V-675</td> <td>122</td> <td>1/2</td> <td>2900</td> <td>1\"/&gt;  <tr> <td>U-47</td> <td>"</td> <td>"</td> <td>V-675</td> <td>122</td> <td>1/2</td> <td>2900</td> <td>1\"/&gt;  <tr> <td>U-48</td> <td>"</td> <td>"</td> <td>V-675</td> <td>122</td> <td>1/2</td> <td>2900</td> <td>1\"/&gt;  <tr> <td>U-49</td> <td>"</td> <td>"</td> <td>V-675</td> <td>122</td> <td>1/2</td> <td>2900</td> <td>1\"/&gt;  <tr> <td>U-50</td> <td>"</td> <td>"</td> <td>V-675</td> <td>122</td> <td>1/2</td> <td>2900</td> <td>1\"/&gt;  </td></tr></td></tr></td></tr></td></tr></td></tr></td></tr></td></tr></td></tr></td></tr></td></tr></td></tr></td></tr></td></tr></td></tr></td></tr></td></tr></td></tr></td></tr></td></tr></td></tr></td></tr></td></tr></td></tr></td></tr></td></tr></td></tr></td></tr></td></tr></td></tr></td></tr></td></tr></td></tr></td></tr>  | U-18 | " | " | V-675 | 122 | 1/2 | 2900 | 1\"/> <tr> <td>U-19</td> <td>"</td> <td>"</td> <td>V-675</td> <td>122</td> <td>1/2</td> <td>2900</td> <td>1\"/&gt;  <tr> <td>U-20</td> <td>"</td> <td>"</td> <td>V-675</td> <td>122</td> <td>1/2</td> <td>2900</td> <td>1\"/&gt;  <tr> <td>U-21</td> <td>"</td> <td>"</td> <td>V-675</td> <td>122</td> <td>1/2</td> <td>2900</td> <td>1\"/&gt;  <tr> <td>U-22</td> <td>"</td> <td>"</td> <td>V-675</td> <td>122</td> <td>1/2</td> <td>2900</td> <td>1\"/&gt;  <tr> <td>U-23</td> <td>"</td> <td>"</td> <td>V-675</td> <td>122</td> <td>1/2</td> <td>2900</td> <td>1\"/&gt;  <tr> <td>U-24</td> <td>"</td> <td>"</td> <td>V-675</td> <td>122</td> <td>1/2</td> <td>2900</td> <td>1\"/&gt;  <tr> <td>U-25</td> <td>"</td> <td>"</td> <td>V-675</td> <td>122</td> <td>1/2</td> <td>2900</td> <td>1\"/&gt;  <tr> <td>U-26</td> <td>"</td> <td>"</td> <td>V-675</td> <td>122</td> <td>1/2</td> <td>2900</td> <td>1\"/&gt;  <tr> <td>U-27</td> <td>"</td> <td>"</td> <td>V-675</td> <td>122</td> <td>1/2</td> <td>2900</td> <td>1\"/&gt;  <tr> <td>U-28</td> <td>"</td> <td>"</td> <td>V-675</td> <td>122</td> <td>1/2</td> <td>2900</td> <td>1\"/&gt;  <tr> <td>U-29</td> <td>"</td> <td>"</td> <td>V-675</td> <td>122</td> <td>1/2</td> <td>2900</td> <td>1\"/&gt;  <tr> <td>U-30</td> <td>"</td> <td>"</td> <td>V-675</td> <td>122</td> <td>1/2</td> <td>2900</td> <td>1\"/&gt;  <tr> <td>U-31</td> <td>"</td> <td>"</td> <td>V-675</td> <td>122</td> <td>1/2</td> <td>2900</td> <td>1\"/&gt;  <tr> <td>U-32</td> <td>"</td> <td>"</td> <td>V-675</td> <td>122</td> <td>1/2</td> <td>2900</td> <td>1\"/&gt;  <tr> <td>U-33</td> <td>"</td> <td>"</td> <td>V-675</td> <td>122</td> <td>1/2</td> <td>2900</td> <td>1\"/&gt;  <tr> <td>U-34</td> <td>"</td> <td>"</td> <td>V-675</td> <td>122</td> <td>1/2</td> <td>2900</td> <td>1\"/&gt;  <tr> <td>U-35</td> <td>"</td> <td>"</td> <td>V-675</td> <td>122</td> <td>1/2</td> <td>2900</td> <td>1\"/&gt;  <tr> <td>U-36</td> <td>"</td> <td>"</td> <td>V-675</td> <td>122</td> <td>1/2</td> <td>2900</td> <td>1\"/&gt;  <tr> <td>U-37</td> <td>"</td> <td>"</td> <td>V-675</td> <td>122</td> <td>1/2</td> <td>2900</td> <td>1\"/&gt;  <tr> <td>U-38</td> <td>"</td> <td>"</td> <td>V-675</td> <td>122</td> <td>1/2</td> <td>2900</td> <td>1\"/&gt;  <tr> <td>U-39</td> <td>"</td> <td>"</td> <td>V-675</td> <td>122</td> <td>1/2</td> <td>2900</td> <td>1\"/&gt;  <tr> <td>U-40</td> <td>"</td> <td>"</td> <td>V-675</td> <td>122</td> <td>1/2</td> <td>2900</td> <td>1\"/&gt;  <tr>
<td>U-41</td> <td>"</td> <td>"</td> <td>V-675</td> <td>122</td> <td>1/2</td> <td>2900</td> <td>1\"/&gt;  <tr> <td>U-42</td> <td>"</td> <td>"</td> <td>V-675</td> <td>122</td> <td>1/2</td> <td>2900</td> <td>1\"/&gt;  <tr> <td>U-43</td> <td>"</td> <td>"</td> <td>V-675</td> <td>122</td> <td>1/2</td> <td>2900</td> <td>1\"/&gt;  <tr> <td>U-44</td> <td>"</td> <td>"</td> <td>V-675</td> <td>122</td> <td>1/2</td> <td>2900</td> <td>1\"/&gt;  <tr> <td>U-45</td> <td>"</td> <td>"</td> <td>V-675</td> <td>122</td> <td>1/2</td> <td>2900</td> <td>1\"/&gt;  <tr> <td>U-46</td> <td>"</td> <td>"</td> <td>V-675</td> <td>122</td> <td>1/2</td> <td>2900</td> <td>1\"/&gt;  <tr> <td>U-47</td> <td>"</td> <td>"</td> <td>V-675</td> <td>122</td> <td>1/2</td> <td>2900</td> <td>1\"/&gt;  <tr> <td>U-48</td> <td>"</td> <td>"</td> <td>V-675</td> <td>122</td> <td>1/2</td> <td>2900</td> <td>1\"/&gt;  <tr> <td>U-49</td> <td>"</td> <td>"</td> <td>V-675</td> <td>122</td> <td>1/2</td> <td>2900</td> <td>1\"/&gt;  <tr> <td>U-50</td> <td>"</td> <td>"</td> <td>V-675</td> <td>122</td> <td>1/2</td> <td>2900</td> <td>1\"/&gt;  </td></tr></td></tr></td></tr></td></tr></td></tr></td></tr></td></tr></td></tr></td></tr></td></tr></td></tr></td></tr></td></tr></td></tr></td></tr></td></tr></td></tr></td></tr></td></tr></td></tr></td></tr></td></tr></td></tr></td></tr></td></tr></td></tr></td></tr></td></tr></td></tr></td></tr></td></tr></td></tr>   | U-19 | " | " | V-675 | 122 | 1/2 | 2900 | 1\"/> <tr> <td>U-20</td> <td>"</td> <td>"</td> <td>V-675</td> <td>122</td> <td>1/2</td> <td>2900</td> <td>1\"/&gt;  <tr> <td>U-21</td> <td>"</td> <td>"</td> <td>V-675</td> <td>122</td> <td>1/2</td> <td>2900</td> <td>1\"/&gt;  <tr> <td>U-22</td> <td>"</td> <td>"</td> <td>V-675</td> <td>122</td> <td>1/2</td> <td>2900</td> <td>1\"/&gt;  <tr> <td>U-23</td> <td>"</td> <td>"</td> <td>V-675</td> <td>122</td> <td>1/2</td> <td>2900</td> <td>1\"/&gt;  <tr> <td>U-24</td> <td>"</td> <td>"</td> <td>V-675</td> <td>122</td> <td>1/2</td> <td>2900</td> <td>1\"/&gt;  <tr> <td>U-25</td> <td>"</td> <td>"</td> <td>V-675</td> <td>122</td> <td>1/2</td> <td>2900</td> <td>1\"/&gt;  <tr> <td>U-26</td> <td>"</td> <td>"</td> <td>V-675</td> <td>122</td> <td>1/2</td> <td>2900</td> <td>1\"/&gt;  <tr> <td>U-27</td> <td>"</td> <td>"</td> <td>V-675</td> <td>122</td> <td>1/2</td> <td>2900</td> <td>1\"/&gt;  <tr> <td>U-28</td> <td>"</td> <td>"</td> <td>V-675</td> <td>122</td> <td>1/2</td> <td>2900</td> <td>1\"/&gt;  <tr> <td>U-29</td> <td>"</td> <td>"</td> <td>V-675</td> <td>122</td> <td>1/2</td> <td>2900</td> <td>1\"/&gt;  <tr> <td>U-30</td> <td>"</td> <td>"</td> <td>V-675</td> <td>122</td> <td>1/2</td> <td>2900</td> <td>1\"/&gt;  <tr> <td>U-31</td> <td>"</td> <td>"</td> <td>V-675</td> <td>122</td> <td>1/2</td> <td>2900</td> <td>1\"/&gt;  <tr> <td>U-32</td> <td>"</td> <td>"</td> <td>V-675</td> <td>122</td> <td>1/2</td> <td>2900</td> <td>1\"/&gt;  <tr> <td>U-33</td> <td>"</td> <td>"</td> <td>V-675</td> <td>122</td> <td>1/2</td> <td>2900</td> <td>1\"/&gt;  <tr> <td>U-34</td> <td>"</td> <td>"</td> <td>V-675</td> <td>122</td> <td>1/2</td> <td>2900</td> <td>1\"/&gt;  <tr> <td>U-35</td> <td>"</td> <td>"</td> <td>V-675</td> <td>122</td> <td>1/2</td> <td>2900</td> <td>1\"/&gt;  <tr> <td>U-36</td> <td>"</td> <td>"</td> <td>V-675</td> <td>122</td> <td>1/2</td> <td>2900</td> <td>1\"/&gt;  <tr> <td>U-37</td> <td>"</td> <td>"</td> <td>V-675</td> <td>122</td> <td>1/2</td> <td>2900</td> <td>1\"/&gt;  <tr> <td>U-38</td> <td>"</td> <td>"</td> <td>V-675</td> <td>122</td> <td>1/2</td> <td>2900</td> <td>1\"/&gt;  <tr> <td>U-39</td> <td>"</td> <td>"</td> <td>V-675</td> <td>122</td> <td>1/2</td> <td>2900</td> <td>1\"/&gt;  <tr> <td>U-40</td> <td>"</td> <td>"</td> <td>V-675</td> <td>122</td> <td>1/2</td> <td>2900</td> <td>1\"/&gt;  <tr> <td>U-41</td> <td>"</td> <td>"</td> <td>V-675</td> <td>122</td> <td>1/2</td> <td>2900</td> <td>1\"/&gt;  <tr> <td>U-42</td> <td>"</td> <td>"</td> <td>V-675</td> <td>122</td> <td>1/2</td> <td>2900</td> <td>1\"/&gt;  <tr> <td>U-43</td> <td>"</td> <td>"</td> <td>V-675</td> <td>122</td> <td>1/2</td> <td>2900</td> <td>1\"/&gt;  <tr> <td>U-44</td> <td>"</td> <td>"</td> <td>V-675</td> <td>122</td> <td>1/2</td> <td>2900</td> <td>1\"/&gt;  <tr> <td>U-45</td> <td>"</td> <td>"</td> <td>V-675</td> <td>122</td> <td>1/2</td> <td>2900</td> <td>1\"/&gt;  <tr> <td>U-46</td> <td>"</td> <td>"</td> <td>V-675</td> <td>122</td> <td>1/2</td> <td>2900</td> <td>1\"/&gt;  <tr> <td>U-47</td> <td>"</td> <td>"</td> <td>V-675</td> <td>122</td> <td>1/2</td> <td>2900</td> <td>1\"/&gt;  <tr> <td>U-48</td> <td>"</td> <td>"</td> <td>V-675</td> <td>122</td> <td>1/2</td> <td>2900</td> <td>1\"/&gt;  <tr> <td>U-49</td> <td>"</td> <td>"</td> <td>V-675</td> <td>122</td> <td>1/2</td> <td>2900</td> <td>1\"/&gt;  <tr> <td>U-50</td> <td>"</td> <td>"</td> <td>V-675</td> <td>122</td> <td>1/2</td> <td>2900</td> <td>1\"/&gt;  </td></tr></td></tr></td></tr></td></tr></td></tr></td></tr></td></tr></td></tr></td></tr></td></tr></td></tr></td></tr></td></tr></td></tr></td></tr></td></tr></td></tr></td></tr></td></tr></td></tr></td></tr></td></tr></td></tr></td></tr></td></tr></td></tr></td></tr></td></tr></td></tr></td></tr></td></tr>  | U-20 | " | " | V-675 | 122 | 1/2 | 2900 | 1\"/> <tr> <td>U-21</td> <td>"</td> <td>"</td> <td>V-675</td> <td>122</td> <td>1/2</td> <td>2900</td> <td>1\"/&gt;  <tr> <td>U-22</td> <td>"</td> <td>"</td> <td>V-675</td> <td>122</td> <td>1/2</td> <td>2900</td> <td>1\"/&gt;  <tr> <td>U-23</td> <td>"</td> <td>"</td> <td>V-675</td> <td>122</td> <td>1/2</td> <td>2900</td> <td>1\"/&gt;  <tr> <td>U-24</td> <td>"</td> <td>"</td> <td>V-675</td> <td>122</td> <td>1/2</td> <td>2900</td> <td>1\"/&gt;  <tr> <td>U-25</td> <td>"</td> <td>"</td> <td>V-675</td> <td>122</td> <td>1/2</td> <td>2900</td> <td>1\"/&gt;  <tr> <td>U-26</td> <td>"</td> <td>"</td> <td>V-675</td> <td>122</td> <td>1/2</td> <td>2900</td> <td>1\"/&gt;  <tr> <td>U-27</td> <td>"</td> <td>"</td> <td>V-675</td> <td>122</td> <td>1/2</td> <td>2900</td> <td>1\"/&gt;  <tr> <td>U-28</td> <td>"</td> <td>"</td> <td>V-675</td> <td>122</td> <td>1/2</td> <td>2900</td> <td>1\"/&gt;  <tr> <td>U-29</td> <td>"</td> <td>"</td> <td>V-675</td> <td>122</td> <td>1/2</td> <td>2900</td> <td>1\"/&gt;  <tr> <td>U-30</td> <td>"</td> <td>"</td> <td>V-675</td> <td>122</td> <td>1/2</td> <td>2900</td> <td>1\"/&gt;  <tr> <td>U-31</td> <td>"</td> <td>"</td> <td>V-675</td> <td>122</td> <td>1/2</td> <td>2900</td> <td>1\"/&gt;  <tr> <td>U-32</td> <td>"</td> <td>"</td> <td>V-675</td> <td>122</td> <td>1/2</td> <td>2900</td> <td>1\"/&gt;  <tr> <td>U-33</td> <td>"</td> <td>"</td> <td>V-675</td> <td>122</td> <td>1/2</td> <td>2900</td> <td>1\"/&gt;  <tr> <td>U-34</td> <td>"</td> <td>"</td> <td>V-675</td> <td>122</td> <td>1/2</td> <td>2900</td> <td>1\"/&gt;  <tr> <td>U-35</td> <td>"</td> <td>"</td> <td>V-675</td> <td>122</td> <td>1/2</td> <td>2900</td> <td>1\"/&gt; 
<tr> <td>U-36</td> <td>"</td> <td>"</td> <td>V-675</td> <td>122</td> <td>1/2</td> <td>2900</td> <td>1\"/&gt;  <tr> <td>U-37</td> <td>"</td> <td>"</td> <td>V-675</td> <td>122</td> <td>1/2</td> <td>2900</td> <td>1\"/&gt;  <tr> <td>U-38</td> <td>"</td> <td>"</td> <td>V-675</td> <td>122</td> <td>1/2</td> <td>2900</td> <td>1\"/&gt;  <tr> <td>U-39</td> <td>"</td> <td>"</td> <td>V-675</td> <td>122</td> <td>1/2</td> <td>2900</td> <td>1\"/&gt;  <tr> <td>U-40</td> <td>"</td> <td>"</td> <td>V-675</td> <td>122</td> <td>1/2</td> <td>2900</td> <td>1\"/&gt;  <tr> <td>U-41</td> <td>"</td> <td>"</td> <td>V-675</td> <td>122</td> <td>1/2</td> <td>2900</td> <td>1\"/&gt;  <tr> <td>U-42</td> <td>"</td> <td>"</td> <td>V-675</td> <td>122</td> <td>1/2</td> <td>2900</td> <td>1\"/&gt;  <tr> <td>U-43</td> <td>"</td> <td>"</td> <td>V-675</td> <td>122</td> <td>1/2</td> <td>2900</td> <td>1\"/&gt;  <tr> <td>U-44</td> <td>"</td> <td>"</td> <td>V-675</td> <td>122</td> <td>1/2</td> <td>2900</td> <td>1\"/&gt;  <tr> <td>U-45</td> <td>"</td> <td>"</td> <td>V-675</td> <td>122</td> <td>1/2</td> <td>2900</td> <td>1\"/&gt;  <tr> <td>U-46</td> <td>"</td> <td>"</td> <td>V-675</td> <td>122</td> <td>1/2</td> <td>2900</td> <td>1\"/&gt;  <tr> <td>U-47</td> <td>"</td> <td>"</td> <td>V-675</td> <td>122</td> <td>1/2</td> <td>2900</td> <td>1\"/&gt;  <tr> <td>U-48</td> <td>"</td> <td>"</td> <td>V-675</td> <td>122</td> <td>1/2</td> <td>2900</td> <td>1\"/&gt;  <tr> <td>U-49</td> <td>"</td> <td>"</td> <td>V-675</td> <td>122</td> <td>1/2</td> <td>2900</td> <td>1\"/&gt;  <tr> <td>U-50</td> <td>"</td> <td>"</td> <td>V-675</td> <td>122</td> <td>1/2</td> <td>2900</td> <td>1\"/&gt;  </td></tr></td></tr></td></tr></td></tr></td></tr></td></tr></td></tr></td></tr></td></tr></td></tr></td></tr></td></tr></td></tr></td></tr></td></tr></td></tr></td></tr></td></tr></td></tr></td></tr></td></tr></td></tr></td></tr></td></tr></td></tr></td></tr></td></tr></td></tr></td></tr></td></tr>   | U-21 | " | " | V-675 | 122 | 1/2 | 2900 | 1\"/> <tr> <td>U-22</td> <td>"</td> <td>"</td> <td>V-675</td> <td>122</td> <td>1/2</td> <td>2900</td> <td>1\"/&gt;  <tr> <td>U-23</td> <td>"</td> <td>"</td> <td>V-675</td> <td>122</td> <td>1/2</td> <td>2900</td> <td>1\"/&gt;  <tr> <td>U-24</td> <td>"</td> <td>"</td> <td>V-675</td> <td>122</td> <td>1/2</td> <td>2900</td> <td>1\"/&gt;  <tr> <td>U-25</td> <td>"</td> <td>"</td> <td>V-675</td> <td>122</td> <td>1/2</td> <td>2900</td> <td>1\"/&gt;  <tr> <td>U-26</td> <td>"</td> <td>"</td> <td>V-675</td> <td>122</td> <td>1/2</td> <td>2900</td> <td>1\"/&gt;  <tr> <td>U-27</td> <td>"</td> <td>"</td> <td>V-675</td> <td>122</td> <td>1/2</td> <td>2900</td> <td>1\"/&gt;  <tr> <td>U-28</td> <td>"</td> <td>"</td> <td>V-675</td> <td>122</td> <td>1/2</td> <td>2900</td> <td>1\"/&gt;  <tr> <td>U-29</td> <td>"</td> <td>"</td> <td>V-675</td> <td>122</td> <td>1/2</td> <td>2900</td> <td>1\"/&gt;  <tr> <td>U-30</td> <td>"</td> <td>"</td> <td>V-675</td> <td>122</td> <td>1/2</td> <td>2900</td> <td>1\"/&gt;  <tr> <td>U-31</td> <td>"</td> <td>"</td> <td>V-675</td> <td>122</td> <td>1/2</td> <td>2900</td> <td>1\"/&gt;  <tr> <td>U-32</td> <td>"</td> <td>"</td> <td>V-675</td> <td>122</td> <td>1/2</td> <td>2900</td> <td>1\"/&gt;  <tr> <td>U-33</td> <td>"</td> <td>"</td> <td>V-675</td> <td>122</td> <td>1/2</td> <td>2900</td> <td>1\"/&gt;  <tr> <td>U-34</td> <td>"</td> <td>"</td> <td>V-675</td> <td>122</td> <td>1/2</td> <td>2900</td> <td>1\"/&gt;  <tr> <td>U-35</td> <td>"</td> <td>"</td> <td>V-675</td> <td>122</td> <td>1/2</td> <td>2900</td> <td>1\"/&gt;  <tr> <td>U-36</td> <td>"</td> <td>"</td> <td>V-675</td> <td>122</td> <td>1/2</td> <td>2900</td> <td>1\"/&gt;  <tr> <td>U-37</td> <td>"</td> <td>"</td> <td>V-675</td> <td>122</td> <td>1/2</td> <td>2900</td> <td>1\"/&gt;  <tr> <td>U-38</td> <td>"</td> <td>"</td> <td>V-675</td> <td>122</td> <td>1/2</td> <td>2900</td> <td>1\"/&gt;  <tr> <td>U-39</td> <td>"</td> <td>"</td> <td>V-675</td> <td>122</td> <td>1/2</td> <td>2900</td> <td>1\"/&gt;  <tr> <td>U-40</td> <td>"</td> <td>"</td> <td>V-675</td> <td>122</td> <td>1/2</td> <td>2900</td> <td>1\"/&gt;  <tr> <td>U-41</td> <td>"</td> <td>"</td> <td>V-675</td> <td>122</td> <td>1/2</td> <td>2900</td> <td>1\"/&gt;  <tr> <td>U-42</td> <td>"</td> <td>"</td> <td>V-675</td> <td>122</td> <td>1/2</td> <td>2900</td> <td>1\"/&gt;  <tr> <td>U-43</td> <td>"</td> <td>"</td> <td>V-675</td> <td>122</td> <td>1/2</td> <td>2900</td> <td>1\"/&gt;  <tr> <td>U-44</td> <td>"</td> <td>"</td> <td>V-675</td> <td>122</td> <td>1/2</td> <td>2900</td> <td>1\"/&gt;  <tr> <td>U-45</td> <td>"</td> <td>"</td> <td>V-675</td> <td>122</td> <td>1/2</td> <td>2900</td> <td>1\"/&gt;  <tr> <td>U-46</td> <td>"</td> <td>"</td> <td>V-675</td> <td>122</td> <td>1/2</td> <td>2900</td> <td>1\"/&gt;  <tr> <td>U-47</td> <td>"</td> <td>"</td> <td>V-675</td> <td>122</td> <td>1/2</td> <td>2900</td> <td>1\"/&gt;  <tr> <td>U-48</td> <td>"</td> <td>"</td> <td>V-675</td> <td>122</td> <td>1/2</td> <td>2900</td> <td>1\"/&gt;  <tr> <td>U-49</td> <td>"</td> <td>"</td> <td>V-675</td> <td>122</td> <td>1/2</td> <td>2900</td> <td>1\"/&gt;  <tr> <td>U-50</td> <td>"</td> <td>"</td> <td>V-675</td> <td>122</td> <td>1/2</td> <td>2900</td> <td>1\"/&gt;  </td></tr></td></tr></td></tr></td></tr></td></tr></td></tr></td></tr></td></tr></td></tr></td></tr></td></tr></td></tr></td></tr></td></tr></td></tr></td></tr></td></tr></td></tr></td></tr></td></tr></td></tr></td></tr></td></tr></td></tr></td></tr></td></tr></td></tr></td></tr></td></tr>  | U-22 | " | " | V-675 | 122 | 1/2 | 2900 | 1\"/> <tr> <td>U-23</td> <td>"</td> <td>"</td> <td>V-675</td> <td>122</td> <td>1/2</td> <td>2900</td> <td>1\"/&gt;  <tr> <td>U-24</td> <td>"</td> <td>"</td> <td>V-675</td> <td>122</td> <td>1/2</td> <td>2900</td> <td>1\"/&gt;  <tr> <td>U-25</td> <td>"</td> <td>"</td> <td>V-675</td> <td>122</td> <td>1/2</td> <td>2900</td> <td>1\"/&gt;  <tr> <td>U-26</td> <td>"</td> <td>"</td> <td>V-675</td> <td>122</td> <td>1/2</td> <td>2900</td> <td>1\"/&gt;  <tr> <td>U-27</td> <td>"</td> <td>"</td> <td>V-675</td> <td>122</td> <td>1/2</td> <td>2900</td> <td>1\"/&gt;  <tr> <td>U-28</td> <td>"</td> <td>"</td> <td>V-675</td> <td>122</td> <td>1/2</td> <td>2900</td> <td>1\"/&gt;  <tr> <td>U-29</td> <td>"</td> <td>"</td> <td>V-675</td> <td>122</td> <td>1/2</td> <td>2900</td> <td>1\"/&gt;  <tr> <td>U-30</td> <td>"</td> <td>"</td> <td>V-675</td> <td>122</td> <td>1/2</td> <td>2900</td> <td>1\"/&gt;  <tr> <td>U-31</td> <td>"</td> <td>"</td> <td>V-675</td> <td>122</td> <td>1/2</td> <td>2900</td> <td>1\"/&gt;  <tr> <td>U-32</td> <td>"</td> <td>"</td> <td>V-675</td> <td>122</td> <td>1/2</td> <td>2900</td> <td>1\"/&gt;  <tr> <td>U-33</td> <td>"</td> <td>"</td> <td>V-675</td> <td>122</td> <td>1/2</td> <td>2900</td> <td>1\"/&gt;  <tr> <td>U-34</td> <td>"</td> <td>"</td> <td>V-675</td> <td>122</td> <td>1/2</td> <td>2900</td> <td>1\"/&gt;  <tr> <td>U-35</td> <td>"</td>
<td>"</td> <td>V-675</td> <td>122</td> <td>1/2</td> <td>2900</td> <td>1\"/&gt;  <tr> <td>U-36</td> <td>"</td> <td>"</td> <td>V-675</td> <td>122</td> <td>1/2</td> <td>2900</td> <td>1\"/&gt;  <tr> <td>U-37</td> <td>"</td> <td>"</td> <td>V-675</td> <td>122</td> <td>1/2</td> <td>2900</td> <td>1\"/&gt;  <tr> <td>U-38</td> <td>"</td> <td>"</td> <td>V-675</td> <td>122</td> <td>1/2</td> <td>2900</td> <td>1\"/&gt;  <tr> <td>U-39</td> <td>"</td> <td>"</td> <td>V-675</td> <td>122</td> <td>1/2</td> <td>2900</td> <td>1\"/&gt;  <tr> <td>U-40</td> <td>"</td> <td>"</td> <td>V-675</td> <td>122</td> <td>1/2</td> <td>2900</td> <td>1\"/&gt;  <tr> <td>U-41</td> <td>"</td> <td>"</td> <td>V-675</td> <td>122</td> <td>1/2</td> <td>2900</td> <td>1\"/&gt;  <tr> <td>U-42</td> <td>"</td> <td>"</td> <td>V-675</td> <td>122</td> <td>1/2</td> <td>2900</td> <td>1\"/&gt;  <tr> <td>U-43</td> <td>"</td> <td>"</td> <td>V-675</td> <td>122</td> <td>1/2</td> <td>2900</td> <td>1\"/&gt;  <tr> <td>U-44</td> <td>"</td> <td>"</td> <td>V-675</td> <td>122</td> <td>1/2</td> <td>2900</td> <td>1\"/&gt;  <tr> <td>U-45</td> <td>"</td> <td>"</td> <td>V-675</td> <td>122</td> <td>1/2</td> <td>2900</td> <td>1\"/&gt;  <tr> <td>U-46</td> <td>"</td> <td>"</td> <td>V-675</td> <td>122</td> <td>1/2</td> <td>2900</td> <td>1\"/&gt;  <tr> <td>U-47</td> <td>"</td> <td>"</td> <td>V-675</td> <td>122</td> <td>1/2</td> <td>2900</td> <td>1\"/&gt;  <tr> <td>U-48</td> <td>"</td> <td>"</td> <td>V-675</td> <td>122</td> <td>1/2</td> <td>2900</td> <td>1\"/&gt;  <tr> <td>U-49</td> <td>"</td> <td>"</td> <td>V-675</td> <td>122</td> <td>1/2</td> <td>2900</td> <td>1\"/&gt;  <tr> <td>U-50</td> <td>"</td> <td>"</td> <td>V-675</td> <td>122</td> <td>1/2</td> <td>2900</td> <td>1\"/&gt;  </td></tr></td></tr></td></tr></td></tr></td></tr></td></tr></td></tr></td></tr></td></tr></td></tr></td></tr></td></tr></td></tr></td></tr></td></tr></td></tr></td></tr></td></tr></td></tr></td></tr></td></tr></td></tr></td></tr></td></tr></td></tr></td></tr></td></tr></td></tr>   | U-23 | " | " | V-675 | 122 | 1/2 | 2900 | 1\"/> <tr> <td>U-24</td> <td>"</td> <td>"</td> <td>V-675</td> <td>122</td> <td>1/2</td> <td>2900</td> <td>1\"/&gt;  <tr> <td>U-25</td> <td>"</td> <td>"</td> <td>V-675</td> <td>122</td> <td>1/2</td> <td>2900</td> <td>1\"/&gt;  <tr> <td>U-26</td> <td>"</td> <td>"</td> <td>V-675</td> <td>122</td> <td>1/2</td> <td>2900</td> <td>1\"/&gt;  <tr> <td>U-27</td> <td>"</td> <td>"</td> <td>V-675</td> <td>122</td> <td>1/2</td> <td>2900</td> <td>1\"/&gt;  <tr> <td>U-28</td> <td>"</td> <td>"</td> <td>V-675</td> <td>122</td> <td>1/2</td> <td>2900</td> <td>1\"/&gt;  <tr> <td>U-29</td> <td>"</td> <td>"</td> <td>V-675</td> <td>122</td> <td>1/2</td> <td>2900</td> <td>1\"/&gt;  <tr> <td>U-30</td> <td>"</td> <td>"</td> <td>V-675</td> <td>122</td> <td>1/2</td> <td>2900</td> <td>1\"/&gt;  <tr> <td>U-31</td> <td>"</td> <td>"</td> <td>V-675</td> <td>122</td> <td>1/2</td> <td>2900</td> <td>1\"/&gt;  <tr> <td>U-32</td> <td>"</td> <td>"</td> <td>V-675</td> <td>122</td> <td>1/2</td> <td>2900</td> <td>1\"/&gt;  <tr> <td>U-33</td> <td>"</td> <td>"</td> <td>V-675</td> <td>122</td> <td>1/2</td> <td>2900</td> <td>1\"/&gt;  <tr> <td>U-34</td> <td>"</td> <td>"</td> <td>V-675</td> <td>122</td> <td>1/2</td> <td>2900</td> <td>1\"/&gt;  <tr> <td>U-35</td> <td>"</td> <td>"</td> <td>V-675</td> <td>122</td> <td>1/2</td> <td>2900</td> <td>1\"/&gt;  <tr> <td>U-36</td> <td>"</td> <td>"</td> <td>V-675</td> <td>122</td> <td>1/2</td> <td>2900</td> <td>1\"/&gt;  <tr> <td>U-37</td> <td>"</td> <td>"</td> <td>V-675</td> <td>122</td> <td>1/2</td> <td>2900</td> <td>1\"/&gt;  <tr> <td>U-38</td> <td>"</td> <td>"</td> <td>V-675</td> <td>122</td> <td>1/2</td> <td>2900</td> <td>1\"/&gt;  <tr> <td>U-39</td> <td>"</td> <td>"</td> <td>V-675</td> <td>122</td> <td>1/2</td> <td>2900</td> <td>1\"/&gt;  <tr> <td>U-40</td> <td>"</td> <td>"</td> <td>V-675</td> <td>122</td> <td>1/2</td> <td>2900</td> <td>1\"/&gt;  <tr> <td>U-41</td> <td>"</td> <td>"</td> <td>V-675</td> <td>122</td> <td>1/2</td> <td>2900</td> <td>1\"/&gt;  <tr> <td>U-42</td> <td>"</td> <td>"</td> <td>V-675</td> <td>122</td> <td>1/2</td> <td>2900</td> <td>1\"/&gt;  <tr> <td>U-43</td> <td>"</td> <td>"</td> <td>V-675</td> <td>122</td> <td>1/2</td> <td>2900</td> <td>1\"/&gt;  <tr> <td>U-44</td> <td>"</td> <td>"</td> <td>V-675</td> <td>122</td> <td>1/2</td> <td>2900</td> <td>1\"/&gt;  <tr> <td>U-45</td> <td>"</td> <td>"</td> <td>V-675</td> <td>122</td> <td>1/2</td> <td>2900</td> <td>1\"/&gt;  <tr> <td>U-46</td> <td>"</td> <td>"</td> <td>V-675</td> <td>122</td> <td>1/2</td> <td>2900</td> <td>1\"/&gt;  <tr> <td>U-47</td> <td>"</td> <td>"</td> <td>V-675</td> <td>122</td> <td>1/2</td> <td>2900</td> <td>1\"/&gt;  <tr> <td>U-48</td> <td>"</td> <td>"</td> <td>V-675</td> <td>122</td> <td>1/2</td> <td>2900</td> <td>1\"/&gt;  <tr> <td>U-49</td> <td>"</td> <td>"</td> <td>V-675</td> <td>122</td> <td>1/2</td> <td>2900</td> <td>1\"/&gt;  <tr> <td>U-50</td> <td>"</td> <td>"</td> <td>V-675</td> <td>122</td> <td>1/2</td> <td>2900</td> <td>1\"/&gt;  </td></tr></td></tr></td></tr></td></tr></td></tr></td></tr></td></tr></td></tr></td></tr></td></tr></td></tr></td></tr></td></tr></td></tr></td></tr></td></tr></td></tr></td></tr></td></tr></td></tr></td></tr></td></tr></td></tr></td></tr></td></tr></td></tr></td></tr>   | U-24 | " | " | V-675 | 122 | 1/2 | 2900 | 1\"/> <tr> <td>U-25</td> <td>"</td> <td>"</td> <td>V-675</td> <td>122</td> <td>1/2</td> <td>2900</td> <td>1\"/&gt;  <tr> <td>U-26</td> <td>"</td> <td>"</td> <td>V-675</td> <td>122</td> <td>1/2</td> <td>2900</td> <td>1\"/&gt;  <tr> <td>U-27</td> <td>"</td> <td>"</td> <td>V-675</td> <td>122</td> <td>1/2</td> <td>2900</td> <td>1\"/&gt;  <tr> <td>U-28</td> <td>"</td> <td>"</td> <td>V-675</td> <td>122</td> <td>1/2</td> <td>2900</td> <td>1\"/&gt;  <tr> <td>U-29</td> <td>"</td> <td>"</td> <td>V-675</td> <td>122</td> <td>1/2</td> <td>2900</td> <td>1\"/&gt;  <tr> <td>U-30</td> <td>"</td> <td>"</td> <td>V-675</td> <td>122</td> <td>1/2</td> <td>2900</td> <td>1\"/&gt;  <tr> <td>U-31</td> <td>"</td> <td>"</td> <td>V-675</td> <td>122</td> <td>1/2</td> <td>2900</td> <td>1\"/&gt;  <tr> <td>U-32</td> <td>"</td> <td>"</td> <td>V-675</td> <td>122</td> <td>1/2</td> <td>2900</td> <td>1\"/&gt;  <tr> <td>U-33</td> <td>"</td> <td>"</td> <td>V-675</td> <td>122</td> <td>1/2</td> <td>2900</td> <td>1\"/&gt;  <tr> <td>U-34</td> <td>"</td> <td>"</td> <td>V-675</td> <td>122</td> <td>1/2</td> <td>2900</td> <td>1\"/&gt;  <tr> <td>U-35</td> <td>"</td> <td>"</td> <td>V-675</td> <td>122</td> <td>1/2</td> <td>2900</td> <td>1\"/&gt;  <tr> <td>U-36</td> <td>"</td> <td>"</td> <td>V-675</td> <td>122</td> <td>1/2</td> <td>2900</td> <td>1\"/&gt;  <tr> <td>U-37</td> <td>"</td> <td>"</td> <td>V-675</td> <td>122</td> <td>1/2</td> <td>2900</td> <td>1\"/&gt;  <tr> <td>U-38</td> <td>"</td> <td>"</td> <td>V-675</td> <td>122</td> <td>1/2</td> <td>2900</td>
<td>1\"/&gt;  <tr> <td>U-39</td> <td>"</td> <td>"</td> <td>V-675</td> <td>122</td> <td>1/2</td> <td>2900</td> <td>1\"/&gt;  <tr> <td>U-40</td> <td>"</td> <td>"</td> <td>V-675</td> <td>122</td> <td>1/2</td> <td>2900</td> <td>1\"/&gt;  <tr> <td>U-41</td> <td>"</td> <td>"</td> <td>V-675</td> <td>122</td> <td>1/2</td> <td>2900</td> <td>1\"/&gt;  <tr> <td>U-42</td> <td>"</td> <td>"</td> <td>V-675</td> <td>122</td> <td>1/2</td> <td>2900</td> <td>1\"/&gt;  <tr> <td>U-43</td> <td>"</td> <td>"</td> <td>V-675</td> <td>122</td> <td>1/2</td> <td>2900</td> <td>1\"/&gt;  <tr> <td>U-44</td> <td>"</td> <td>"</td> <td>V-675</td> <td>122</td> <td>1/2</td> <td>2900</td> <td>1\"/&gt;  <tr> <td>U-45</td> <td>"</td> <td>"</td> <td>V-675</td> <td>122</td> <td>1/2</td> <td>2900</td> <td>1\"/&gt;  <tr> <td>U-46</td> <td>"</td> <td>"</td> <td>V-675</td> <td>122</td> <td>1/2</td> <td>2900</td> <td>1\"/&gt;  <tr> <td>U-47</td> <td>"</td> <td>"</td> <td>V-675</td> <td>122</td> <td>1/2</td> <td>2900</td> <td>1\"/&gt;  <tr> <td>U-48</td> <td>"</td> <td>"</td> <td>V-675</td> <td>122</td> <td>1/2</td> <td>2900</td> <td>1\"/&gt;  <tr> <td>U-49</td> <td>"</td> <td>"</td> <td>V-675</td> <td>122</td> <td>1/2</td> <td>2900</td> <td>1\"/&gt;  <tr> <td>U-50</td> <td>"</td> <td>"</td> <td>V-675</td> <td>122</td> <td>1/2</td> <td>2900</td> <td>1\"/&gt;  </td></tr></td></tr></td></tr></td></tr></td></tr></td></tr></td></tr></td></tr></td></tr></td></tr></td></tr></td></tr></td></tr></td></tr></td></tr></td></tr></td></tr></td></tr></td></tr></td></tr></td></tr></td></tr></td></tr></td></tr></td></tr></td></tr>   | U-25 | " | " | V-675 | 122 | 1/2 | 2900 | 1\"/> <tr> <td>U-26</td> <td>"</td> <td>"</td> <td>V-675</td> <td>122</td> <td>1/2</td> <td>2900</td> <td>1\"/&gt;  <tr> <td>U-27</td> <td>"</td> <td>"</td> <td>V-675</td> <td>122</td> <td>1/2</td> <td>2900</td> <td>1\"/&gt;  <tr> <td>U-28</td> <td>"</td> <td>"</td> <td>V-675</td> <td>122</td> <td>1/2</td> <td>2900</td> <td>1\"/&gt;  <tr> <td>U-29</td> <td>"</td> <td>"</td> <td>V-675</td> <td>122</td> <td>1/2</td> <td>2900</td> <td>1\"/&gt;  <tr> <td>U-30</td> <td>"</td> <td>"</td> <td>V-675</td> <td>122</td> <td>1/2</td> <td>2900</td> <td>1\"/&gt;  <tr> <td>U-31</td> <td>"</td> <td>"</td> <td>V-675</td> <td>122</td> <td>1/2</td> <td>2900</td> <td>1\"/&gt;  <tr> <td>U-32</td> <td>"</td> <td>"</td> <td>V-675</td> <td>122</td> <td>1/2</td> <td>2900</td> <td>1\"/&gt;  <tr> <td>U-33</td> <td>"</td> <td>"</td> <td>V-675</td> <td>122</td> <td>1/2</td> <td>2900</td> <td>1\"/&gt;  <tr> <td>U-34</td> <td>"</td> <td>"</td> <td>V-675</td> <td>122</td> <td>1/2</td> <td>2900</td> <td>1\"/&gt;  <tr> <td>U-35</td> <td>"</td> <td>"</td> <td>V-675</td> <td>122</td> <td>1/2</td> <td>2900</td> <td>1\"/&gt;  <tr> <td>U-36</td> <td>"</td> <td>"</td> <td>V-675</td> <td>122</td> <td>1/2</td> <td>2900</td> <td>1\"/&gt;  <tr> <td>U-37</td> <td>"</td> <td>"</td> <td>V-675</td> <td>122</td> <td>1/2</td> <td>2900</td> <td>1\"/&gt;  <tr> <td>U-38</td> <td>"</td> <td>"</td> <td>V-675</td> <td>122</td> <td>1/2</td> <td>2900</td> <td>1\"/&gt;  <tr> <td>U-39</td> <td>"</td> <td>"</td> <td>V-675</td> <td>122</td> <td>1/2</td> <td>2900</td> <td>1\"/&gt;  <tr> <td>U-40</td> <td>"</td> <td>"</td> <td>V-675</td> <td>122</td> <td>1/2</td> <td>2900</td> <td>1\"/&gt;  <tr> <td>U-41</td> <td>"</td> <td>"</td> <td>V-675</td> <td>122</td> <td>1/2</td> <td>2900</td> <td>1\"/&gt;  <tr> <td>U-42</td> <td>"</td> <td>"</td> <td>V-675</td> <td>122</td> <td>1/2</td> <td>2900</td> <td>1\"/&gt;  <tr> <td>U-43</td> <td>"</td> <td>"</td> <td>V-675</td> <td>122</td> <td>1/2</td> <td>2900</td> <td>1\"/&gt;  <tr> <td>U-44</td> <td>"</td> <td>"</td> <td>V-675</td> <td>122</td> <td>1/2</td> <td>2900</td> <td>1\"/&gt;  <tr> <td>U-45</td> <td>"</td> <td>"</td> <td>V-675</td> <td>122</td> <td>1/2</td> <td>2900</td> <td>1\"/&gt;  <tr> <td>U-46</td> <td>"</td> <td>"</td> <td>V-675</td> <td>122</td> <td>1/2</td> <td>2900</td> <td>1\"/&gt;  <tr> <td>U-47</td> <td>"</td> <td>"</td> <td>V-675</td> <td>122</td> <td>1/2</td> <td>2900</td> <td>1\"/&gt;  <tr> <td>U-48</td> <td>"</td> <td>"</td> <td>V-675</td> <td>122</td> <td>1/2</td> <td>2900</td> <td>1\"/&gt;  <tr> <td>U-49</td> <td>"</td> <td>"</td> <td>V-675</td> <td>122</td> <td>1/2</td> <td>2900</td> <td>1\"/&gt;  <tr> <td>U-50</td> <td>"</td> <td>"</td> <td>V-675</td> <td>122</td> <td>1/2</td> <td>2900</td> <td>1\"/&gt;  </td></tr></td></tr></td></tr></td></tr></td></tr></td></tr></td></tr></td></tr></td></tr></td></tr></td></tr></td></tr></td></tr></td></tr></td></tr></td></tr></td></tr></td></tr></td></tr></td></tr></td></tr></td></tr></td></tr></td></tr></td></tr>   | U-26 | " | " | V-675 | 122 | 1/2 | 2900 | 1\"/> <tr> <td>U-27</td> <td>"</td> <td>"</td> <td>V-675</td> <td>122</td> <td>1/2</td> <td>2900</td> <td>1\"/&gt;  <tr> <td>U-28</td> <td>"</td> <td>"</td> <td>V-675</td> <td>122</td> <td>1/2</td> <td>2900</td> <td>1\"/&gt;  <tr> <td>U-29</td> <td>"</td> <td>"</td> <td>V-675</td> <td>122</td> <td>1/2</td> <td>2900</td> <td>1\"/&gt;  <tr> <td>U-30</td> <td>"</td> <td>"</td> <td>V-675</td> <td>122</td> <td>1/2</td> <td>2900</td> <td>1\"/&gt;  <tr> <td>U-31</td> <td>"</td> <td>"</td> <td>V-675</td> <td>122</td> <td>1/2</td> <td>2900</td> <td>1\"/&gt;  <tr> <td>U-32</td> <td>"</td> <td>"</td> <td>V-675</td> <td>122</td> <td>1/2</td> <td>2900</td> <td>1\"/&gt;  <tr> <td>U-33</td> <td>"</td> <td>"</td> <td>V-675</td> <td>122</td> <td>1/2</td> <td>2900</td> <td>1\"/&gt;  <tr> <td>U-34</td> <td>"</td> <td>"</td> <td>V-675</td> <td>122</td> <td>1/2</td> <td>2900</td> <td>1\"/&gt;  <tr> <td>U-35</td> <td>"</td> <td>"</td> <td>V-675</td> <td>122</td> <td>1/2</td> <td>2900</td> <td>1\"/&gt;  <tr> <td>U-36</td> <td>"</td> <td>"</td> <td>V-675</td> <td>122</td> <td>1/2</td> <td>2900</td> <td>1\"/&gt;  <tr> <td>U-37</td> <td>"</td> <td>"</td> <td>V-675</td> <td>122</td> <td>1/2</td> <td>2900</td> <td>1\"/&gt;  <tr> <td>U-38</td> <td>"</td> <td>"</td> <td>V-675</td> <td>122</td> <td>1/2</td> <td>2900</td> <td>1\"/&gt;  <tr> <td>U-39</td> <td>"</td> <td>"</td> <td>V-675</td> <td>122</td> <td>1/2</td> <td>2900</td> <td>1\"/&gt;  <tr> <td>U-40</td> <td>"</td> <td>"</td> <td>V-675</td> <td>122</td> <td>1/2</td> <td>2900</td> <td>1\"/&gt;  <tr> <td>U-41</td> <td>"</td> <td>"</td> <td>V-675</td> <td>122</td> <td>1/2</td> <td>2900</td> <td>1\"/&gt;  <tr> <td>U-42</td> <td>"</td> <td>"</td> <td>V-675</td> <td>122</td> <td>1/2</td> <td>2900</td> <td>1\"/&gt;  <tr> <td>U-43</td> <td>"</td> <td>"</td> <td>V-675</td> <td>122</td> <td>1/2</td> <td>2900</td> <td>1\"/&gt;  <tr> <td>U-44</td> <td>"</td> <td>"</td> <td>V-675</td> <td>122</td> <td>1/2</td> <td>2900</td> <td>1\"/&gt;  <tr> <td>U-45</td> <td>"</td> <td>"</td> <td>V-675</td> <td>122</td> <td>1/2</td> <td>2900</td> <td>1\"/&gt;  <tr> <td>U-46</td> <td>"</td> <td>"</td> <td>V-675</td> <td>122</td> <td>1/2</td>
<td>2900</td> <td>1\"/&gt;  <tr> <td>U-47</td> <td>"</td> <td>"</td> <td>V-675</td> <td>122</td> <td>1/2</td> <td>2900</td> <td>1\"/&gt;  <tr> <td>U-48</td> <td>"</td> <td>"</td> <td>V-675</td> <td>122</td> <td>1/2</td> <td>2900</td> <td>1\"/&gt;  <tr> <td>U-49</td> <td>"</td> <td>"</td> <td>V-675</td> <td>122</td> <td>1/2</td> <td>2900</td> <td>1\"/&gt;  <tr> <td>U-50</td> <td>"</td> <td>"</td> <td>V-675</td> <td>122</td> <td>1/2</td> <td>2900</td> <td>1\"/&gt;  </td></tr></td></tr></td></tr></td></tr></td></tr></td></tr></td></tr></td></tr></td></tr></td></tr></td></tr></td></tr></td></tr></td></tr></td></tr></td></tr></td></tr></td></tr></td></tr></td></tr></td></tr></td></tr></td></tr></td></tr>   | U-27 | " | " | V-675 | 122 | 1/2 | 2900 | 1\"/> <tr> <td>U-28</td> <td>"</td> <td>"</td> <td>V-675</td> <td>122</td> <td>1/2</td> <td>2900</td> <td>1\"/&gt;  <tr> <td>U-29</td> <td>"</td> <td>"</td> <td>V-675</td> <td>122</td> <td>1/2</td> <td>2900</td> <td>1\"/&gt;  <tr> <td>U-30</td> <td>"</td> <td>"</td> <td>V-675</td> <td>122</td> <td>1/2</td> <td>2900</td> <td>1\"/&gt;  <tr> <td>U-31</td> <td>"</td> <td>"</td> <td>V-675</td> <td>122</td> <td>1/2</td> <td>2900</td> <td>1\"/&gt;  <tr> <td>U-32</td> <td>"</td> <td>"</td> <td>V-675</td> <td>122</td> <td>1/2</td> <td>2900</td> <td>1\"/&gt;  <tr> <td>U-33</td> <td>"</td> <td>"</td> <td>V-675</td> <td>122</td> <td>1/2</td> <td>2900</td> <td>1\"/&gt;  <tr> <td>U-34</td> <td>"</td> <td>"</td> <td>V-675</td> <td>122</td> <td>1/2</td> <td>2900</td> <td>1\"/&gt;  <tr> <td>U-35</td> <td>"</td> <td>"</td> <td>V-675</td> <td>122</td> <td>1/2</td> <td>2900</td> <td>1\"/&gt;  <tr> <td>U-36</td> <td>"</td> <td>"</td> <td>V-675</td> <td>122</td> <td>1/2</td> <td>2900</td> <td>1\"/&gt;  <tr> <td>U-37</td> <td>"</td> <td>"</td> <td>V-675</td> <td>122</td> <td>1/2</td> <td>2900</td> <td>1\"/&gt;  <tr> <td>U-38</td> <td>"</td> <td>"</td> <td>V-675</td> <td>122</td> <td>1/2</td> <td>2900</td> <td>1\"/&gt;  <tr> <td>U-39</td> <td>"</td> <td>"</td> <td>V-675</td> <td>122</td> <td>1/2</td> <td>2900</td> <td>1\"/&gt;  <tr> <td>U-40</td> <td>"</td> <td>"</td> <td>V-675</td> <td>122</td> <td>1/2</td> <td>2900</td> <td>1\"/&gt;  <tr> <td>U-41</td> <td>"</td> <td>"</td> <td>V-675</td> <td>122</td> <td>1/2</td> <td>2900</td> <td>1\"/&gt;  <tr> <td>U-42</td> <td>"</td> <td>"</td> <td>V-675</td> <td>122</td> <td>1/2</td> <td>2900</td> <td>1\"/&gt;  <tr> <td>U-43</td> <td>"</td> <td>"</td> <td>V-675</td> <td>122</td> <td>1/2</td> <td>2900</td> <td>1\"/&gt;  <tr> <td>U-44</td> <td>"</td> <td>"</td> <td>V-675</td> <td>122</td> <td>1/2</td> <td>2900</td> <td>1\"/&gt;  <tr> <td>U-45</td> <td>"</td> <td>"</td> <td>V-675</td> <td>122</td> <td>1/2</td> <td>2900</td> <td>1\"/&gt;  <tr> <td>U-46</td> <td>"</td> <td>"</td> <td>V-675</td> <td>122</td> <td>1/2</td> <td>2900</td> <td>1\"/&gt;  <tr> <td>U-47</td> <td>"</td> <td>"</td> <td>V-675</td> <td>122</td> <td>1/2</td> <td>2900</td> <td>1\"/&gt;  <tr> <td>U-48</td> <td>"</td> <td>"</td> <td>V-675</td> <td>122</td> <td>1/2</td> <td>2900</td> <td>1\"/&gt;  <tr> <td>U-49</td> <td>"</td> <td>"</td> <td>V-675</td> <td>122</td> <td>1/2</td> <td>2900</td> <td>1\"/&gt;  <tr> <td>U-50</td> <td>"</td> <td>"</td> <td>V-675</td> <td>122</td> <td>1/2</td> <td>2900</td> <td>1\"/&gt;  </td></tr></td></tr></td></tr></td></tr></td></tr></td></tr></td></tr></td></tr></td></tr></td></tr></td></tr></td></tr></td></tr></td></tr></td></tr></td></tr></td></tr></td></tr></td></tr></td></tr></td></tr></td></tr></td></tr>   | U-28 | " | " | V-675 | 122 | 1/2 | 2900 | 1\"/> <tr> <td>U-29</td> <td>"</td> <td>"</td> <td>V-675</td> <td>122</td> <td>1/2</td> <td>2900</td> <td>1\"/&gt;  <tr> <td>U-30</td> <td>"</td> <td>"</td> <td>V-675</td> <td>122</td> <td>1/2</td> <td>2900</td> <td>1\"/&gt;  <tr> <td>U-31</td> <td>"</td> <td>"</td> <td>V-675</td> <td>122</td> <td>1/2</td> <td>2900</td> <td>1\"/&gt;  <tr> <td>U-32</td> <td>"</td> <td>"</td> <td>V-675</td> <td>122</td> <td>1/2</td> <td>2900</td> <td>1\"/&gt;  <tr> <td>U-33</td> <td>"</td> <td>"</td> <td>V-675</td> <td>122</td> <td>1/2</td> <td>2900</td> <td>1\"/&gt;  <tr> <td>U-34</td> <td>"</td> <td>"</td> <td>V-675</td> <td>122</td> <td>1/2</td> <td>2900</td> <td>1\"/&gt;  <tr> <td>U-35</td> <td>"</td> <td>"</td> <td>V-675</td> <td>122</td> <td>1/2</td> <td>2900</td> <td>1\"/&gt;  <tr> <td>U-36</td> <td>"</td> <td>"</td> <td>V-675</td> <td>122</td> <td>1/2</td> <td>2900</td> <td>1\"/&gt;  <tr> <td>U-37</td> <td>"</td> <td>"</td> <td>V-675</td> <td>122</td> <td>1/2</td> <td>2900</td> <td>1\"/&gt;  <tr> <td>U-38</td> <td>"</td> <td>"</td> <td>V-675</td> <td>122</td> <td>1/2</td> <td>2900</td> <td>1\"/&gt;  <tr> <td>U-39</td> <td>"</td> <td>"</td> <td>V-675</td> <td>122</td> <td>1/2</td> <td>2900</td> <td>1\"/&gt;  <tr> <td>U-40</td> <td>"</td> <td>"</td> <td>V-675</td> <td>122</td> <td>1/2</td> <td>2900</td> <td>1\"/&gt;  <tr> <td>U-41</td> <td>"</td> <td>"</td> <td>V-675</td> <td>122</td> <td>1/2</td> <td>2900</td> <td>1\"/&gt;  <tr> <td>U-42</td> <td>"</td> <td>"</td> <td>V-675</td> <td>122</td> <td>1/2</td> <td>2900</td> <td>1\"/&gt;  <tr> <td>U-43</td> <td>"</td> <td>"</td> <td>V-675</td> <td>122</td> <td>1/2</td> <td>2900</td> <td>1\"/&gt;  <tr> <td>U-44</td> <td>"</td> <td>"</td> <td>V-675</td> <td>122</td> <td>1/2</td> <td>2900</td> <td>1\"/&gt;  <tr> <td>U-45</td> <td>"</td> <td>"</td> <td>V-675</td> <td>122</td> <td>1/2</td> <td>2900</td> <td>1\"/&gt;  <tr> <td>U-46</td> <td>"</td> <td>"</td> <td>V-675</td> <td>122</td> <td>1/2</td> <td>2900</td> <td>1\"/&gt;  <tr> <td>U-47</td> <td>"</td> <td>"</td> <td>V-675</td> <td>122</td> <td>1/2</td> <td>2900</td> <td>1\"/&gt;  <tr> <td>U-48</td> <td>"</td> <td>"</td> <td>V-675</td> <td>122</td> <td>1/2</td> <td>2900</td> <td>1\"/&gt;  <tr> <td>U-49</td> <td>"</td> <td>"</td> <td>V-675</td> <td>122</td> <td>1/2</td> <td>2900</td> <td>1\"/&gt;  <tr> <td>U-50</td> <td>"</td> <td>"</td> <td>V-675</td> <td>122</td> <td>1/2</td> <td>2900</td> <td>1\"/&gt;  </td></tr></td></tr></td></tr></td></tr></td></tr></td></tr></td></tr></td></tr></td></tr></td></tr></td></tr></td></tr></td></tr></td></tr></td></tr></td></tr></td></tr></td></tr></td></tr></td></tr></td></tr></td></tr>   
   | U-29 | " | " | V-675 | 122 | 1/2 | 2900 | 1\"/> <tr> <td>U-30</td> <td>"</td> <td>"</td> <td>V-675</td> <td>122</td> <td>1/2</td> <td>2900</td> <td>1\"/&gt;  <tr> <td>U-31</td> <td>"</td> <td>"</td> <td>V-675</td> <td>122</td> <td>1/2</td> <td>2900</td> <td>1\"/&gt;  <tr> <td>U-32</td> <td>"</td> <td>"</td> <td>V-675</td> <td>122</td> <td>1/2</td> <td>2900</td> <td>1\"/&gt;  <tr> <td>U-33</td> <td>"</td> <td>"</td> <td>V-675</td> <td>122</td> <td>1/2</td> <td>2900</td> <td>1\"/&gt;  <tr> <td>U-34</td> <td>"</td> <td>"</td> <td>V-675</td> <td>122</td> <td>1/2</td> <td>2900</td> <td>1\"/&gt;  <tr> <td>U-35</td> <td>"</td> <td>"</td> <td>V-675</td> <td>122</td> <td>1/2</td> <td>2900</td> <td>1\"/&gt;  <tr> <td>U-36</td> <td>"</td> <td>"</td> <td>V-675</td> <td>122</td> <td>1/2</td> <td>2900</td> <td>1\"/&gt;  <tr> <td>U-37</td> <td>"</td> <td>"</td> <td>V-675</td> <td>122</td> <td>1/2</td> <td>2900</td> <td>1\"/&gt;  <tr> <td>U-38</td> <td>"</td> <td>"</td> <td>V-675</td> <td>122</td> <td>1/2</td> <td>2900</td> <td>1\"/&gt;  <tr> <td>U-39</td> <td>"</td> <td>"</td> <td>V-675</td> <td>122</td> <td>1/2</td> <td>2900</td> <td>1\"/&gt;  <tr> <td>U-40</td> <td>"</td> <td>"</td> <td>V-675</td> <td>122</td> <td>1/2</td> <td>2900</td> <td>1\"/&gt;  <tr> <td>U-41</td> <td>"</td> <td>"</td> <td>V-675</td> <td>122</td> <td>1/2</td> <td>2900</td> <td>1\"/&gt;  <tr> <td>U-42</td> <td>"</td> <td>"</td> <td>V-675</td> <td>122</td> <td>1/2</td> <td>2900</td> <td>1\"/&gt;  <tr> <td>U-43</td> <td>"</td> <td>"</td> <td>V-675</td> <td>122</td> <td>1/2</td> <td>2900</td> <td>1\"/&gt;  <tr> <td>U-44</td> <td>"</td> <td>"</td> <td>V-675</td> <td>122</td> <td>1/2</td> <td>2900</td> <td>1\"/&gt;  <tr> <td>U-45</td> <td>"</td> <td>"</td> <td>V-675</td> <td>122</td> <td>1/2</td> <td>2900</td> <td>1\"/&gt;  <tr> <td>U-46</td> <td>"</td> <td>"</td> <td>V-675</td> <td>122</td> <td>1/2</td> <td>2900</td> <td>1\"/&gt;  <tr> <td>U-47</td> <td>"</td> <td>"</td> <td>V-675</td> <td>122</td> <td>1/2</td> <td>2900</td> <td>1\"/&gt;  <tr> <td>U-48</td> <td>"</td> <td>"</td> <td>V-675</td> <td>122</td> <td>1/2</td> <td>2900</td> <td>1\"/&gt;  <tr> <td>U-49</td> <td>"</td> <td>"</td> <td>V-675</td> <td>122</td> <td>1/2</td> <td>2900</td> <td>1\"/&gt;  <tr> <td>U-50</td> <td>"</td> <td>"</td> <td>V-675</td> <td>122</td> <td>1/2</td> <td>2900</td> <td>1\"/&gt;  </td></tr></td></tr></td></tr></td></tr></td></tr></td></tr></td></tr></td></tr></td></tr></td></tr></td></tr></td></tr></td></tr></td></tr></td></tr></td></tr></td></tr></td></tr></td></tr></td></tr></td></tr>   | U-30 | " | " | V-675 | 122 | 1/2 | 2900 | 1\"/> <tr> <td>U-31</td> <td>"</td> <td>"</td> <td>V-675</td> <td>122</td> <td>1/2</td> <td>2900</td> <td>1\"/&gt;  <tr> <td>U-32</td> <td>"</td> <td>"</td> <td>V-675</td> <td>122</td> <td>1/2</td> <td>2900</td> <td>1\"/&gt;  <tr> <td>U-33</td> <td>"</td> <td>"</td> <td>V-675</td> <td>122</td> <td>1/2</td> <td>2900</td> <td>1\"/&gt;  <tr> <td>U-34</td> <td>"</td> <td>"</td> <td>V-675</td> <td>122</td> <td>1/2</td> <td>2900</td> <td>1\"/&gt;  <tr> <td>U-35</td> <td>"</td> <td>"</td> <td>V-675</td> <td>122</td> <td>1/2</td> <td>2900</td> <td>1\"/&gt;  <tr> <td>U-36</td> <td>"</td> <td>"</td> <td>V-675</td> <td>122</td> <td>1/2</td> <td>2900</td> <td>1\"/&gt;  <tr> <td>U-37</td> <td>"</td> <td>"</td> <td>V-675</td> <td>122</td> <td>1/2</td> <td>2900</td> <td>1\"/&gt;  <tr> <td>U-38</td> <td>"</td> <td>"</td> <td>V-675</td> <td>122</td> <td>1/2</td> <td>2900</td> <td>1\"/&gt;  <tr> <td>U-39</td> <td>"</td> <td>"</td> <td>V-675</td> <td>122</td> <td>1/2</td> <td>2900</td> <td>1\"/&gt;  <tr> <td>U-40</td> <td>"</td> <td>"</td> <td>V-675</td> <td>122</td> <td>1/2</td> <td>2900</td> <td>1\"/&gt;  <tr> <td>U-41</td> <td>"</td> <td>"</td> <td>V-675</td> <td>122</td> <td>1/2</td> <td>2900</td> <td>1\"/&gt;  <tr> <td>U-42</td> <td>"</td> <td>"</td> <td>V-675</td> <td>122</td> <td>1/2</td> <td>2900</td> <td>1\"/&gt;  <tr> <td>U-43</td> <td>"</td> <td>"</td> <td>V-675</td> <td>122</td> <td>1/2</td> <td>2900</td> <td>1\"/&gt;  <tr> <td>U-44</td> <td>"</td> <td>"</td> <td>V-675</td> <td>122</td> <td>1/2</td> <td>2900</td> <td>1\"/&gt;  <tr> <td>U-45</td> <td>"</td> <td>"</td> <td>V-675</td> <td>122</td> <td>1/2</td> <td>2900</td> <td>1\"/&gt;  <tr> <td>U-46</td> <td>"</td> <td>"</td> <td>V-675</td> <td>122</td> <td>1/2</td> <td>2900</td> <td>1\"/&gt;  <tr> <td>U-47</td> <td>"</td> <td>"</td> <td>V-675</td> <td>122</td> <td>1/2</td> <td>2900</td> <td>1\"/&gt;  <tr> <td>U-48</td> <td>"</td> <td>"</td> <td>V-675</td> <td>122</td> <td>1/2</td> <td>2900</td> <td>1\"/&gt;  <tr> <td>U-49</td> <td>"</td> <td>"</td> <td>V-675</td> <td>122</td> <td>1/2</td> <td>2900</td> <td>1\"/&gt;  <tr> <td>U-50</td> <td>"</td> <td>"</td> <td>V-675</td> <td>122</td> <td>1/2</td> <td>2900</td> <td>1\"/&gt;  </td></tr></td></tr></td></tr></td></tr></td></tr></td></tr></td></tr></td></tr></td></tr></td></tr></td></tr></td></tr></td></tr></td></tr></td></tr></td></tr></td></tr></td></tr></td></tr></td></tr>   | U-31 | " | " | V-675 | 122 | 1/2 | 2900 | 1\"/> <tr> <td>U-32</td> <td>"</td> <td>"</td> <td>V-675</td> <td>122</td> <td>1/2</td> <td>2900</td> <td>1\"/&gt;  <tr> <td>U-33</td> <td>"</td> <td>"</td> <td>V-675</td> <td>122</td> <td>1/2</td> <td>2900</td> <td>1\"/&gt;  <tr> <td>U-34</td> <td>"</td> <td>"</td> <td>V-675</td> <td>122</td> <td>1/2</td> <td>2900</td> <td>1\"/&gt;  <tr> <td>U-35</td> <td>"</td> <td>"</td> <td>V-675</td> <td>122</td> <td>1/2</td> <td>2900</td> <td>1\"/&gt;  <tr> <td>U-36</td> <td>"</td> <td>"</td> <td>V-675</td> <td>122</td> <td>1/2</td> <td>2900</td> <td>1\"/&gt;  <tr> <td>U-37</td> <td>"</td> <td>"</td> <td>V-675</td> <td>122</td> <td>1/2</td> <td>2900</td> <td>1\"/&gt;  <tr> <td>U-38</td> <td>"</td> <td>"</td> <td>V-675</td> <td>122</td> <td>1/2</td> <td>2900</td> <td>1\"/&gt;  <tr> <td>U-39</td> <td>"</td> <td>"</td> <td>V-675</td> <td>122</td> <td>1/2</td> <td>2900</td> <td>1\"/&gt;  <tr> <td>U-40</td> <td>"</td>
<td>"</td> <td>V-675</td> <td>122</td> <td>1/2</td> <td>2900</td> <td>1\"/&gt;  <tr> <td>U-41</td> <td>"</td> <td>"</td> <td>V-675</td> <td>122</td> <td>1/2</td> <td>2900</td> <td>1\"/&gt;  <tr> <td>U-42</td> <td>"</td> <td>"</td> <td>V-675</td> <td>122</td> <td>1/2</td> <td>2900</td> <td>1\"/&gt;  <tr> <td>U-43</td> <td>"</td> <td>"</td> <td>V-675</td> <td>122</td> <td>1/2</td> <td>2900</td> <td>1\"/&gt;  <tr> <td>U-44</td> <td>"</td> <td>"</td> <td>V-675</td> <td>122</td> <td>1/2</td> <td>2900</td> <td>1\"/&gt;  <tr> <td>U-45</td> <td>"</td> <td>"</td> <td>V-675</td> <td>122</td> <td>1/2</td> <td>2900</td> <td>1\"/&gt;  <tr> <td>U-46</td> <td>"</td> <td>"</td> <td>V-675</td> <td>122</td> <td>1/2</td> <td>2900</td> <td>1\"/&gt;  <tr> <td>U-47</td> <td>"</td> <td>"</td> <td>V-675</td> <td>122</td> <td>1/2</td> <td>2900</td> <td>1\"/&gt;  <tr> <td>U-48</td> <td>"</td> <td>"</td> <td>V-675</td> <td>122</td> <td>1/2</td> <td>2900</td> <td>1\"/&gt;  <tr> <td>U-49</td> <td>"</td> <td>"</td> <td>V-675</td> <td>122</td> <td>1/2</td> <td>2900</td> <td>1\"/&gt;  <tr> <td>U-50</td> <td>"</td> <td>"</td> <td>V-675</td> <td>122</td> <td>1/2</td> <td>2900</td> <td>1\"/&gt;  </td></tr></td></tr></td></tr></td></tr></td></tr></td></tr></td></tr></td></tr></td></tr></td></tr></td></tr></td></tr></td></tr></td></tr></td></tr></td></tr></td></tr></td></tr></td></tr>   | U-32 | " | " | V-675 | 122 | 1/2 | 2900 | 1\"/> <tr> <td>U-33</td> <td>"</td> <td>"</td> <td>V-675</td> <td>122</td> <td>1/2</td> <td>2900</td> <td>1\"/&gt;  <tr> <td>U-34</td> <td>"</td> <td>"</td> <td>V-675</td> <td>122</td> <td>1/2</td> <td>2900</td> <td>1\"/&gt;  <tr> <td>U-35</td> <td>"</td> <td>"</td> <td>V-675</td> <td>122</td> <td>1/2</td> <td>2900</td> <td>1\"/&gt;  <tr> <td>U-36</td> <td>"</td> <td>"</td> <td>V-675</td> <td>122</td> <td>1/2</td> <td>2900</td> <td>1\"/&gt;  <tr> <td>U-37</td> <td>"</td> <td>"</td> <td>V-675</td> <td>122</td> <td>1/2</td> <td>2900</td> <td>1\"/&gt;  <tr> <td>U-38</td> <td>"</td> <td>"</td> <td>V-675</td> <td>122</td> <td>1/2</td> <td>2900</td> <td>1\"/&gt;  <tr> <td>U-39</td> <td>"</td> <td>"</td> <td>V-675</td> <td>122</td> <td>1/2</td> <td>2900</td> <td>1\"/&gt;  <tr> <td>U-40</td> <td>"</td> <td>"</td> <td>V-675</td> <td>122</td> <td>1/2</td> <td>2900</td> <td>1\"/&gt;  <tr> <td>U-41</td> <td>"</td> <td>"</td> <td>V-675</td> <td>122</td> <td>1/2</td> <td>2900</td> <td>1\"/&gt;  <tr> <td>U-42</td> <td>"</td> <td>"</td> <td>V-675</td> <td>122</td> <td>1/2</td> <td>2900</td> <td>1\"/&gt;  <tr> <td>U-43</td> <td>"</td> <td>"</td> <td>V-675</td> <td>122</td> <td>1/2</td> <td>2900</td> <td>1\"/&gt;  <tr> <td>U-44</td> <td>"</td> <td>"</td> <td>V-675</td> <td>122</td> <td>1/2</td> <td>2900</td> <td>1\"/&gt;  <tr> <td>U-45</td> <td>"</td> <td>"</td> <td>V-675</td> <td>122</td> <td>1/2</td> <td>2900</td> <td>1\"/&gt;  <tr> <td>U-46</td> <td>"</td> <td>"</td> <td>V-675</td> <td>122</td> <td>1/2</td> <td>2900</td> <td>1\"/&gt;  <tr> <td>U-47</td> <td>"</td> <td>"</td> <td>V-675</td> <td>122</td> <td>1/2</td> <td>2900</td> <td>1\"/&gt;  <tr> <td>U-48</td> <td>"</td> <td>"</td> <td>V-675</td> <td>122</td> <td>1/2</td> <td>2900</td> <td>1\"/&gt;  <tr> <td>U-49</td> <td>"</td> <td>"</td> <td>V-675</td> <td>122</td> <td>1/2</td> <td>2900</td> <td>1\"/&gt;  <tr> <td>U-50</td> <td>"</td> <td>"</td> <td>V-675</td> <td>122</td> <td>1/2</td> <td>2900</td> <td>1\"/&gt;  </td></tr></td></tr></td></tr></td></tr></td></tr></td></tr></td></tr></td></tr></td></tr></td></tr></td></tr></td></tr></td></tr></td></tr></td></tr></td></tr></td></tr></td></tr>   | U-33 | " | " | V-675 | 122 | 1/2 | 2900 | 1\"/> <tr> <td>U-34</td> <td>"</td> <td>"</td> <td>V-675</td> <td>122</td> <td>1/2</td> <td>2900</td> <td>1\"/&gt;  <tr> <td>U-35</td> <td>"</td> <td>"</td> <td>V-675</td> <td>122</td> <td>1/2</td> <td>2900</td> <td>1\"/&gt;  <tr> <td>U-36</td> <td>"</td> <td>"</td> <td>V-675</td> <td>122</td> <td>1/2</td> <td>2900</td> <td>1\"/&gt;  <tr> <td>U-37</td> <td>"</td> <td>"</td> <td>V-675</td> <td>122</td> <td>1/2</td> <td>2900</td> <td>1\"/&gt;  <tr> <td>U-38</td> <td>"</td> <td>"</td> <td>V-675</td> <td>122</td> <td>1/2</td> <td>2900</td> <td>1\"/&gt;  <tr> <td>U-39</td> <td>"</td> <td>"</td> <td>V-675</td> <td>122</td> <td>1/2</td> <td>2900</td> <td>1\"/&gt;  <tr> <td>U-40</td> <td>"</td> <td>"</td> <td>V-675</td> <td>122</td> <td>1/2</td> <td>2900</td> <td>1\"/&gt;  <tr> <td>U-41</td> <td>"</td> <td>"</td> <td>V-675</td> <td>122</td> <td>1/2</td> <td>2900</td> <td>1\"/&gt;  <tr> <td>U-42</td> <td>"</td> <td>"</td> <td>V-675</td> <td>122</td> <td>1/2</td> <td>2900</td> <td>1\"/&gt;  <tr> <td>U-43</td> <td>"</td> <td>"</td> <td>V-675</td> <td>122</td> <td>1/2</td> <td>2900</td> <td>1\"/&gt;  <tr> <td>U-44</td> <td>"</td> <td>"</td> <td>V-675</td> <td>122</td> <td>1/2</td> <td>2900</td> <td>1\"/&gt;  <tr> <td>U-45</td> <td>"</td> <td>"</td> <td>V-675</td> <td>122</td> <td>1/2</td> <td>2900</td> <td>1\"/&gt;  <tr> <td>U-46</td> <td>"</td> <td>"</td> <td>V-675</td> <td>122</td> <td>1/2</td> <td>2900</td> <td>1\"/&gt;  <tr> <td>U-47</td> <td>"</td> <td>"</td> <td>V-675</td> <td>122</td> <td>1/2</td> <td>2900</td> <td>1\"/&gt;  <tr> <td>U-48</td> <td>"</td> <td>"</td> <td>V-675</td> <td>122</td> <td>1/2</td> <td>2900</td> <td>1\"/&gt;  <tr> <td>U-49</td> <td>"</td> <td>"</td> <td>V-675</td> <td>122</td> <td>1/2</td> <td>2900</td> <td>1\"/&gt;  <tr> <td>U-50</td> <td>"</td> <td>"</td> <td>V-675</td> <td>122</td> <td>1/2</td> <td>2900</td> <td>1\"/&gt;  </td></tr></td></tr></td></tr></td></tr></td></tr></td></tr></td></tr></td></tr></td></tr></td></tr></td></tr></td></tr></td></tr></td></tr></td></tr></td></tr></td></tr>   
   | U-34 | " | " | V-675 | 122 | 1/2 | 2900 | 1\"/> <tr> <td>U-35</td> <td>"</td> <td>"</td> <td>V-675</td> <td>122</td> <td>1/2</td> <td>2900</td> <td>1\"/&gt;  <tr> <td>U-36</td> <td>"</td> <td>"</td> <td>V-675</td> <td>122</td> <td>1/2</td> <td>2900</td> <td>1\"/&gt;  <tr> <td>U-37</td> <td>"</td> <td>"</td> <td>V-675</td> <td>122</td> <td>1/2</td> <td>2900</td> <td>1\"/&gt;  <tr> <td>U-38</td> <td>"</td> <td>"</td> <td>V-675</td> <td>122</td> <td>1/2</td> <td>2900</td> <td>1\"/&gt;  <tr> <td>U-39</td> <td>"</td> <td>"</td> <td>V-675</td> <td>122</td> <td>1/2</td> <td>2900</td> <td>1\"/&gt;  <tr> <td>U-40</td> <td>"</td> <td>"</td> <td>V-675</td> <td>122</td> <td>1/2</td> <td>2900</td> <td>1\"/&gt;  <tr> <td>U-41</td> <td>"</td> <td>"</td> <td>V-675</td> <td>122</td> <td>1/2</td> <td>2900</td> <td>1\"/&gt;  <tr> <td>U-42</td> <td>"</td> <td>"</td> <td>V-675</td> <td>122</td> <td>1/2</td> <td>2900</td> <td>1\"/&gt;  <tr> <td>U-43</td> <td>"</td> <td>"</td> <td>V-675</td> <td>122</td> <td>1/2</td> <td>2900</td> <td>1\"/&gt;  <tr> <td>U-44</td> <td>"</td> <td>"</td> <td>V-675</td> <td>122</td> <td>1/2</td> <td>2900</td> <td>1\"/&gt;  <tr> <td>U-45</td> <td>"</td> <td>"</td> <td>V-675</td> <td>122</td> <td>1/2</td> <td>2900</td> <td>1\"/&gt;  <tr> <td>U-46</td> <td>"</td> <td>"</td> <td>V-675</td> <td>122</td> <td>1/2</td> <td>2900</td> <td>1\"/&gt;  <tr> <td>U-47</td> <td>"</td> <td>"</td> <td>V-675</td> <td>122</td> <td>1/2</td> <td>2900</td> <td>1\"/&gt;  <tr> <td>U-48</td> <td>"</td> <td>"</td> <td>V-675</td> <td>122</td> <td>1/2</td> <td>2900</td> <td>1\"/&gt;  <tr> <td>U-49</td> <td>"</td> <td>"</td> <td>V-675</td> <td>122</td> <td>1/2</td> <td>2900</td> <td>1\"/&gt;  <tr> <td>U-50</td> <td>"</td> <td>"</td> <td>V-675</td> <td>122</td> <td>1/2</td> <td>2900</td> <td>1\"/&gt;  </td></tr></td></tr></td></tr></td></tr></td></tr></td></tr></td></tr></td></tr></td></tr></td></tr></td></tr></td></tr></td></tr></td></tr></td></tr></td></tr>   | U-35 | " | " | V-675 | 122 | 1/2 | 2900 | 1\"/> <tr> <td>U-36</td> <td>"</td> <td>"</td> <td>V-675</td> <td>122</td> <td>1/2</td> <td>2900</td> <td>1\"/&gt;  <tr> <td>U-37</td> <td>"</td> <td>"</td> <td>V-675</td> <td>122</td> <td>1/2</td> <td>2900</td> <td>1\"/&gt;  <tr> <td>U-38</td> <td>"</td> <td>"</td> <td>V-675</td> <td>122</td> <td>1/2</td> <td>2900</td> <td>1\"/&gt;  <tr> <td>U-39</td> <td>"</td> <td>"</td> <td>V-675</td> <td>122</td> <td>1/2</td> <td>2900</td> <td>1\"/&gt;  <tr> <td>U-40</td> <td>"</td> <td>"</td> <td>V-675</td> <td>122</td> <td>1/2</td> <td>2900</td> <td>1\"/&gt;  <tr> <td>U-41</td> <td>"</td> <td>"</td> <td>V-675</td> <td>122</td> <td>1/2</td> <td>2900</td> <td>1\"/&gt;  <tr> <td>U-42</td> <td>"</td> <td>"</td> <td>V-675</td> <td>122</td> <td>1/2</td> <td>2900</td> <td>1\"/&gt;  <tr> <td>U-43</td> <td>"</td> <td>"</td> <td>V-675</td> <td>122</td> <td>1/2</td> <td>2900</td> <td>1\"/&gt;  <tr> <td>U-44</td> <td>"</td> <td>"</td> <td>V-675</td> <td>122</td> <td>1/2</td> <td>2900</td> <td>1\"/&gt;  <tr> <td>U-45</td> <td>"</td> <td>"</td> <td>V-675</td> <td>122</td> <td>1/2</td> <td>2900</td> <td>1\"/&gt;  <tr> <td>U-46</td> <td>"</td> <td>"</td> <td>V-675</td> <td>122</td> <td>1/2</td> <td>2900</td> <td>1\"/&gt;  <tr> <td>U-47</td> <td>"</td> <td>"</td> <td>V-675</td> <td>122</td> <td>1/2</td> <td>2900</td> <td>1\"/&gt;  <tr> <td>U-48</td> <td>"</td> <td>"</td> <td>V-675</td> <td>122</td> <td>1/2</td> <td>2900</td> <td>1\"/&gt;  <tr> <td>U-49</td> <td>"</td> <td>"</td> <td>V-675</td> <td>122</td> <td>1/2</td> <td>2900</td> <td>1\"/&gt;  <tr> <td>U-50</td> <td>"</td> <td>"</td> <td>V-675</td> <td>122</td> <td>1/2</td> <td>2900</td> <td>1\"/&gt;  </td></tr></td></tr></td></tr></td></tr></td></tr></td></tr></td></tr></td></tr></td></tr></td></tr></td></tr></td></tr></td></tr></td></tr></td></tr>   | U-36 | " | " | V-675 | 122 | 1/2 | 2900 | 1\"/> <tr> <td>U-37</td> <td>"</td> <td>"</td> <td>V-675</td> <td>122</td> <td>1/2</td> <td>2900</td> <td>1\"/&gt;  <tr> <td>U-38</td> <td>"</td> <td>"</td> <td>V-675</td> <td>122</td> <td>1/2</td> <td>2900</td> <td>1\"/&gt;  <tr> <td>U-39</td> <td>"</td> <td>"</td> <td>V-675</td> <td>122</td> <td>1/2</td> <td>2900</td> <td>1\"/&gt;  <tr> <td>U-40</td> <td>"</td> <td>"</td> <td>V-675</td> <td>122</td> <td>1/2</td> <td>2900</td> <td>1\"/&gt;  <tr> <td>U-41</td> <td>"</td> <td>"</td> <td>V-675</td> <td>122</td> <td>1/2</td> <td>2900</td> <td>1\"/&gt;  <tr> <td>U-42</td> <td>"</td> <td>"</td> <td>V-675</td> <td>122</td> <td>1/2</td> <td>2900</td> <td>1\"/&gt;  <tr> <td>U-43</td> <td>"</td> <td>"</td> <td>V-675</td> <td>122</td> <td>1/2</td> <td>2900</td> <td>1\"/&gt;  <tr> <td>U-44</td> <td>"</td> <td>"</td> <td>V-675</td> <td>122</td> <td>1/2</td> <td>2900</td> <td>1\"/&gt;  <tr> <td>U-45</td> <td>"</td> <td>"</td> <td>V-675</td> <td>122</td> <td>1/2</td> <td>2900</td> <td>1\"/&gt;  <tr> <td>U-46</td> <td>"</td> <td>"</td> <td>V-675</td> <td>122</td> <td>1/2</td> <td>2900</td> <td>1\"/&gt;  <tr> <td>U-47</td> <td>"</td> <td>"</td> <td>V-675</td> <td>122</td> <td>1/2</td> <td>2900</td> <td>1\"/&gt;  <tr> <td>U-48</td> <td>"</td> <td>"</td> <td>V-675</td> <td>122</td> <td>1/2</td> <td>2900</td> <td>1\"/&gt;  <tr> <td>U-49</td> <td>"</td> <td>"</td> <td>V-675</td> <td>122</td> <td>1/2</td> <td>2900</td> <td>1\"/&gt;  <tr> <td>U-50</td> <td>"</td> <td>"</td> <td>V-675</td> <td>122</td> <td>1/2</td> <td>2900</td> <td>1\"/&gt;  </td></tr></td></tr></td></tr></td></tr></td></tr></td></tr></td></tr></td></tr></td></tr></td></tr></td></tr></td></tr></td></tr></td></tr>  
  | U-37 | " | " | V-675 | 122 | 1/2 | 2900 | 1\"/> <tr> <td>U-38</td> <td>"</td> <td>"</td> <td>V-675</td> <td>122</td> <td>1/2</td> <td>2900</td> <td>1\"/&gt;  <tr> <td>U-39</td> <td>"</td> <td>"</td> <td>V-675</td> <td>122</td> <td>1/2</td> <td>2900</td> <td>1\"/&gt;  <tr> <td>U-40</td> <td>"</td> <td>"</td> <td>V-675</td> <td>122</td> <td>1/2</td> <td>2900</td> <td>1\"/&gt;  <tr> <td>U-41</td> <td>"</td> <td>"</td> <td>V-675</td> <td>122</td> <td>1/2</td> <td>2900</td> <td>1\"/&gt;  <tr> <td>U-42</td> <td>"</td> <td>"</td> <td>V-675</td> <td>122</td> <td>1/2</td> <td>2900</td> <td>1\"/&gt;  <tr> <td>U-43</td> <td>"</td> <td>"</td> <td>V-675</td> <td>122</td> <td>1/2</td> <td>2900</td> <td>1\"/&gt;  <tr> <td>U-44</td> <td>"</td> <td>"</td> <td>V-675</td> <td>122</td> <td>1/2</td> <td>2900</td> <td>1\"/&gt;  <tr> <td>U-45</td> <td>"</td> <td>"</td> <td>V-675</td> <td>122</td> <td>1/2</td> <td>2900</td> <td>1\"/&gt;  <tr> <td>U-46</td> <td>"</td> <td>"</td> <td>V-675</td> <td>122</td> <td>1/2</td> <td>2900</td> <td>1\"/&gt;  <tr> <td>U-47</td> <td>"</td> <td>"</td> <td>V-675</td> <td>122</td> <td>1/2</td> <td>2900</td> <td>1\"/&gt;  <tr> <td>U-48</td> <td>"</td> <td>"</td> <td>V-675</td> <td>122</td> <td>1/2</td> <td>2900</td> <td>1\"/&gt;  <tr> <td>U-49</td> <td>"</td> <td>"</td> <td>V-675</td> <td>122</td> <td>1/2</td> <td>2900</td> <td>1\"/&gt;  <tr> <td>U-50</td> <td>"</td> <td>"</td> <td>V-675</td> <td>122</td> <td>1/2</td> <td>2900</td> <td>1\"/&gt;  </td></tr></td></tr></td></tr></td></tr></td></tr></td></tr></td></tr></td></tr></td></tr></td></tr></td></tr></td></tr></td></tr>   | U-38 | " | " | V-675 | 122 | 1/2 | 2900 | 1\"/> <tr> <td>U-39</td> <td>"</td> <td>"</td> <td>V-675</td> <td>122</td> <td>1/2</td> <td>2900</td> <td>1\"/&gt;  <tr> <td>U-40</td> <td>"</td> <td>"</td> <td>V-675</td> <td>122</td> <td>1/2</td> <td>2900</td> <td>1\"/&gt;  <tr> <td>U-41</td> <td>"</td> <td>"</td> <td>V-675</td> <td>122</td> <td>1/2</td> <td>2900</td> <td>1\"/&gt;  <tr> <td>U-42</td> <td>"</td> <td>"</td> <td>V-675</td> <td>122</td> <td>1/2</td> <td>2900</td> <td>1\"/&gt;  <tr> <td>U-43</td> <td>"</td> <td>"</td> <td>V-675</td> <td>122</td> <td>1/2</td> <td>2900</td> <td>1\"/&gt;  <tr> <td>U-44</td> <td>"</td> <td>"</td> <td>V-675</td> <td>122</td> <td>1/2</td> <td>2900</td> <td>1\"/&gt;  <tr> <td>U-45</td> <td>"</td> <td>"</td> <td>V-675</td> <td>122</td> <td>1/2</td> <td>2900</td> <td>1\"/&gt;  <tr> <td>U-46</td> <td>"</td> <td>"</td> <td>V-675</td> <td>122</td> <td>1/2</td> <td>2900</td> <td>1\"/&gt;  <tr> <td>U-47</td> <td>"</td> <td>"</td> <td>V-675</td> <td>122</td> <td>1/2</td> <td>2900</td> <td>1\"/&gt;  <tr> <td>U-48</td> <td>"</td> <td>"</td> <td>V-675</td> <td>122</td> <td>1/2</td> <td>2900</td> <td>1\"/&gt;  <tr> <td>U-49</td> <td>"</td> <td>"</td> <td>V-675</td> <td>122</td> <td>1/2</td> <td>2900</td> <td>1\"/&gt;  <tr> <td>U-50</td> <td>"</td> <td>"</td> <td>V-675</td> <td>122</td> <td>1/2</td> <td>2900</td> <td>1\"/&gt;  </td></tr></td></tr></td></tr></td></tr></td></tr></td></tr></td></tr></td></tr></td></tr></td></tr></td></tr></td></tr>   | U-39 | " | " | V-675 | 122 | 1/2 | 2900 | 1\"/> <tr> <td>U-40</td> <td>"</td> <td>"</td> <td>V-675</td> <td>122</td> <td>1/2</td> <td>2900</td> <td>1\"/&gt;  <tr> <td>U-41</td> <td>"</td> <td>"</td> <td>V-675</td> <td>122</td> <td>1/2</td> <td>2900</td> <td>1\"/&gt;  <tr> <td>U-42</td> <td>"</td> <td>"</td> <td>V-675</td> <td>122</td> <td>1/2</td> <td>2900</td> <td>1\"/&gt;  <tr> <td>U-43</td> <td>"</td> <td>"</td> <td>V-675</td> <td>122</td> <td>1/2</td> <td>2900</td> <td>1\"/&gt;  <tr> <td>U-44</td> <td>"</td> <td>"</td> <td>V-675</td> <td>122</td> <td>1/2</td> <td>2900</td> <td>1\"/&gt;  <tr> <td>U-45</td> <td>"</td> <td>"</td> <td>V-675</td> <td>122</td> <td>1/2</td> <td>2900</td> <td>1\"/&gt;  <tr> <td>U-46</td> <td>"</td> <td>"</td> <td>V-675</td> <td>122</td> <td>1/2</td> <td>2900</td> <td>1\"/&gt;  <tr> <td>U-47</td> <td>"</td> <td>"</td> <td>V-675</td> <td>122</td> <td>1/2</td> <td>2900</td> <td>1\"/&gt;  <tr> <td>U-48</td> <td>"</td> <td>"</td> <td>V-675</td> <td>122</td> <td>1/2</td> <td>2900</td> <td>1\"/&gt;  <tr> <td>U-49</td> <td>"</td> <td>"</td> <td>V-675</td> <td>122</td> <td>1/2</td> <td>2900</td> <td>1\"/&gt;  <tr> <td>U-50</td> <td>"</td> <td>"</td> <td>V-675</td> <td>122</td> <td>1/2</td> <td>2900</td> <td>1\"/&gt;  </td></tr></td></tr></td></tr></td></tr></td></tr></td></tr></td></tr></td></tr></td></tr></td></tr></td></tr>   | U-40 | " | " | V-675 | 122 | 1/2 | 2900 | 1\"/> <tr> <td>U-41</td> <td>"</td> <td>"</td> <td>V-675</td> <td>122</td> <td>1/2</td> <td>2900</td> <td>1\"/&gt;  <tr> <td>U-42</td> <td>"</td> <td>"</td> <td>V-675</td> <td>122</td> <td>1/2</td> <td>2900</td>
<td>1\"/&gt;  <tr> <td>U-43</td> <td>"</td> <td>"</td> <td>V-675</td> <td>122</td> <td>1/2</td> <td>2900</td> <td>1\"/&gt;  <tr> <td>U-44</td> <td>"</td> <td>"</td> <td>V-675</td> <td>122</td> <td>1/2</td> <td>2900</td> <td>1\"/&gt;  <tr> <td>U-45</td> <td>"</td> <td>"</td> <td>V-675</td> <td>122</td> <td>1/2</td> <td>2900</td> <td>1\"/&gt;  <tr> <td>U-46</td> <td>"</td> <td>"</td> <td>V-675</td> <td>122</td> <td>1/2</td> <td>2900</td> <td>1\"/&gt;  <tr> <td>U-47</td> <td>"</td> <td>"</td> <td>V-675</td> <td>122</td> <td>1/2</td> <td>2900</td> <td>1\"/&gt;  <tr> <td>U-48</td> <td>"</td> <td>"</td> <td>V-675</td> <td>122</td> <td>1/2</td> <td>2900</td> <td>1\"/&gt;  <tr> <td>U-49</td> <td>"</td> <td>"</td> <td>V-675</td> <td>122</td> <td>1/2</td> <td>2900</td> <td>1\"/&gt;  <tr> <td>U-50</td> <td>"</td> <td>"</td> <td>V-675</td> <td>122</td> <td>1/2</td> <td>2900</td> <td>1\"/&gt;  </td></tr></td></tr></td></tr></td></tr></td></tr></td></tr></td></tr></td></tr></td></tr></td></tr>   | U-41 | " | " | V-675 | 122 | 1/2 | 2900 | 1\"/> <tr> <td>U-42</td> <td>"</td> <td>"</td> <td>V-675</td> <td>122</td> <td>1/2</td> <td>2900</td> <td>1\"/&gt;  <tr> <td>U-43</td> <td>"</td> <td>"</td> <td>V-675</td> <td>122</td> <td>1/2</td> <td>2900</td> <td>1\"/&gt;  <tr> <td>U-44</td> <td>"</td> <td>"</td> <td>V-675</td> <td>122</td> <td>1/2</td> <td>2900</td> <td>1\"/&gt;  <tr> <td>U-45</td> <td>"</td> <td>"</td> <td>V-675</td> <td>122</td> <td>1/2</td> <td>2900</td> <td>1\"/&gt;  <tr> <td>U-46</td> <td>"</td> <td>"</td> <td>V-675</td> <td>122</td> <td>1/2</td> <td>2900</td> <td>1\"/&gt;  <tr> <td>U-47</td> <td>"</td> <td>"</td> <td>V-675</td> <td>122</td> <td>1/2</td> <td>2900</td> <td>1\"/&gt;  <tr> <td>U-48</td> <td>"</td> <td>"</td> <td>V-675</td> <td>122</td> <td>1/2</td> <td>2900</td> <td>1\"/&gt;  <tr> <td>U-49</td> <td>"</td> <td>"</td> <td>V-675</td> <td>122</td> <td>1/2</td> <td>2900</td> <td>1\"/&gt;  <tr> <td>U-50</td> <td>"</td> <td>"</td> <td>V-675</td> <td>122</td> <td>1/2</td> <td>2900</td> <td>1\"/&gt;  </td></tr></td></tr></td></tr></td></tr></td></tr></td></tr></td></tr></td></tr></td></tr>   | U-42 | " | " | V-675 | 122 | 1/2 | 2900 | 1\"/> <tr> <td>U-43</td> <td>"</td> <td>"</td> <td>V-675</td> <td>122</td> <td>1/2</td> <td>2900</td> <td>1\"/&gt;  <tr> <td>U-44</td> <td>"</td> <td>"</td> <td>V-675</td> <td>122</td> <td>1/2</td> <td>2900</td> <td>1\"/&gt;  <tr> <td>U-45</td> <td>"</td> <td>"</td> <td>V-675</td> <td>122</td> <td>1/2</td> <td>2900</td> <td>1\"/&gt;  <tr> <td>U-46</td> <td>"</td> <td>"</td> <td>V-675</td> <td>122</td> <td>1/2</td> <td>2900</td> <td>1\"/&gt;  <tr> <td>U-47</td> <td>"</td> <td>"</td> <td>V-675</td> <td>122</td> <td>1/2</td> <td>2900</td> <td>1\"/&gt;  <tr> <td>U-48</td> <td>"</td> <td>"</td> <td>V-675</td> <td>122</td> <td>1/2</td> <td>2900</td> <td>1\"/&gt;  <tr> <td>U-49</td> <td>"</td> <td>"</td> <td>V-675</td> <td>122</td> <td>1/2</td> <td>2900</td> <td>1\"/&gt;  <tr> <td>U-50</td> <td>"</td> <td>"</td> <td>V-675</td> <td>122</td> <td>1/2</td> <td>2900</td> <td>1\"/&gt;  </td></tr></td></tr></td></tr></td></tr></td></tr></td></tr></td></tr></td></tr>   | U-43 | " | " | V-675 | 122 | 1/2 | 2900 | 1\"/> <tr> <td>U-44</td> <td>"</td> <td>"</td> <td>V-675</td> <td>122</td> <td>1/2</td> <td>2900</td> <td>1\"/&gt;  <tr> <td>U-45</td> <td>"</td> <td>"</td> <td>V-675</td> <td>122</td> <td>1/2</td> <td>2900</td> <td>1\"/&gt;  <tr> <td>U-46</td> <td>"</td> <td>"</td> <td>V-675</td> <td>122</td> <td>1/2</td> <td>2900</td> <td>1\"/&gt;  <tr> <td>U-47</td> <td>"</td> <td>"</td> <td>V-675</td> <td>122</td> <td>1/2</td> <td>2900</td> <td>1\"/&gt;  <tr> <td>U-48</td> <td>"</td> <td>"</td> <td>V-675</td> <td>122</td> <td>1/2</td> <td>2900</td> <td>1\"/&gt;  <tr> <td>U-49</td> <td>"</td> <td>"</td> <td>V-675</td> <td>122</td> <td>1/2</td> <td>2900</td> <td>1\"/&gt;  <tr> <td>U-50</td> <td>"</td> <td>"</td> <td>V-675</td> <td>122</td> <td>1/2</td> <td>2900</td> <td>1\"/&gt;  </td></tr></td></tr></td></tr></td></tr></td></tr></td></tr></td></tr>  
  | U-44 | " | " | V-675 | 122 | 1/2 | 2900 | 1\"/> <tr> <td>U-45</td> <td>"</td> <td>"</td> <td>V-675</td> <td>122</td> <td>1/2</td> <td>2900</td> <td>1\"/&gt;  <tr> <td>U-46</td> <td>"</td> <td>"</td> <td>V-675</td> <td>122</td> <td>1/2</td> <td>2900</td> <td>1\"/&gt;  <tr> <td>U-47</td> <td>"</td> <td>"</td> <td>V-675</td> <td>122</td> <td>1/2</td> <td>2900</td> <td>1\"/&gt;  <tr> <td>U-48</td> <td>"</td> <td>"</td> <td>V-675</td> <td>122</td> <td>1/2</td> <td>2900</td> <td>1\"/&gt;  <tr> <td>U-49</td> <td>"</td> <td>"</td> <td>V-675</td> <td>122</td> <td>1/2</td> <td>2900</td> <td>1\"/&gt;  <tr> <td>U-50</td> <td>"</td> <td>"</td> <td>V-675</td> <td>122</td> <td>1/2</td> <td>2900</td> <td>1\"/&gt;  </td></tr></td></tr></td></tr></td></tr></td></tr></td></tr>   | U-45 | " | " | V-675 | 122 | 1/2 | 2900 | 1\"/> <tr> <td>U-46</td> <td>"</td> <td>"</td> <td>V-675</td> <td>122</td> <td>1/2</td> <td>2900</td> <td>1\"/&gt;  <tr> <td>U-47</td> <td>"</td> <td>"</td> <td>V-675</td> <td>122</td> <td>1/2</td> <td>2900</td> <td>1\"/&gt;  <tr> <td>U-48</td> <td>"</td> <td>"</td> <td>V-675</td> <td>122</td> <td>1/2</td> <td>2900</td> <td>1\"/&gt;  <tr> <td>U-49</td> <td>"</td> <td>"</td> <td>V-675</td> <td>122</td> <td>1/2</td> <td>2900</td> <td>1\"/&gt;  <tr> <td>U-50</td> <td>"</td> <td>"</td> <td>V-675</td> <td>122</td> <td>1/2</td> <td>2900</td> <td>1\"/&gt;  </td></tr></td></tr></td></tr></td></tr></td></tr>   | U-46 | " | " | V-675 | 122 | 1/2 | 2900 | 1\"/> <tr> <td>U-47</td> <td>"</td> <td>"</td> <td>V-675</td> <td>122</td> <td>1/2</td> <td>2900</td> <td>1\"/&gt;  <tr> <td>U-48</td> <td>"</td> <td>"</td> <td>V-675</td> <td>122</td> <td>1/2</td> <td>2900</td> <td>1\"/&gt;  <tr> <td>U-49</td> <td>"</td> <td>"</td> <td>V-675</td> <td>122</td> <td>1/2</td> <td>2900</td> <td>1\"/&gt;  <tr> <td>U-50</td> <td>"</td> <td>"</td> <td>V-675</td> <td>122</td> <td>1/2</td> <td>2900</td> <td>1\"/&gt;  </td></tr></td></tr></td></tr></td></tr>   | U-47 | " | " | V-675 | 122 | 1/2 | 2900 | 1\"/> <tr> <td>U-48</td> <td>"</td> <td>"</td> <td>V-675</td> <td>122</td> <td>1/2</td> <td>2900</td> <td>1\"/&gt;  <tr> <td>U-49</td> <td>"</td> <td>"</td> <td>V-675</td> <td>122</td> <td>1/2</td> <td>2900</td> <td>1\"/&gt;  <tr> <td>U-50</td> <td>"</td> <td>"</td> <td>V-675</td> <td>122</td> <td>1/2</td> <td>2900</td> <td>1\"/&gt;  </td></tr></td></tr></td></tr>   | U-48 | " | " | V-675 | 122 | 1/2 | 2900 | 1\"/> <tr> <td>U-49</td> <td>"</td> <td>"</td> <td>V-675</td> <td>122</td> <td>1/2</td> <td>2900</td> <td>1\"/&gt;  <tr> <td>U-50</td> <td>"</td> <td>"</td> <td>V-675</td> <td>122</td> <td>1/2</td> <td>2900</td> <td>1\"/&gt;  </td></tr></td></tr>   
   | U-49 | " | " | V-675 | 122 | 1/2 | 2900 | 1\"/> <tr> <td>U-50</td> <td>"</td> <td>"</td> <td>V-675</td> <td>122</td> <td>1/2</td> <td>2900</td> <td>1\"/&gt;  </td></tr>   | U-50 | " | " | V-675 | 122 | 1/2 | 2900 | 1\"/>  |      |   |   |       |     |     |      |  |      |   |   |       |     |     |      |  |      |   |   |       |     |     |      |  |      |   |   |       |     |     |      |  |      |   |   |       |     |     |      |   
  |      |   |   |       |     |     |      |  |      |   |   |       |     |     |      |  |      |   |   |       |     |     |      |  |      |   |   |       |     |     |      |  |      |   |   |       |     |     |      |  |      |   |   |       |     |     |      |  |      |   |   |       |     |     |      |  |      |   |   |       |     |     |      |       |
| U-9  | "             | "                       | V-675    | 122  | 1/2           | 2900    | 1\"/> <tr> <td>U-10</td> <td>"</td> <td>"</td> <td>V-675</td> <td>122</td> <td>1/2</td> <td>2900</td> <td>1\"/&gt;  <tr> <td>U-11</td> <td>"</td> <td>"</td> <td>V-675</td> <td>122</td> <td>1/2</td> <td>2900</td> <td>1\"/&gt;  <tr> <td>U-12</td> <td>"</td> <td>"</td> <td>V-675</td> <td>122</td> <td>1/2</td> <td>2900</td> <td>1\"/&gt;  <tr> <td>U-13</td> <td>"</td> <td>"</td> <td>V-675</td> <td>122</td> <td>1/2</td> <td>2900</td> <td>1\"/&gt;  <tr> <td>U-14</td> <td>"</td> <td>"</td> <td>V-675</td> <td>122</td> <td>1/2</td> <td>2900</td> <td>1\"/&gt;  <tr> <td>U-15</td> <td>"</td> <td>"</td> <td>V-675</td> <td>122</td> <td>1/2</td> <td>2900</td> <td>1\"/&gt;  <tr> <td>U-16</td> <td>"</td> <td>"</td> <td>V-675</td> <td>122</td> <td>1/2</td> <td>2900</td> <td>1\"/&gt;  <tr> <td>U-17</td> <td>"</td> <td>"</td> <td>V-675</td> <td>122</td> <td>1/2</td> <td>2900</td> <td>1\"/&gt;  <tr> <td>U-18</td> <td>"</td> <td>"</td> <td>V-675</td> <td>122</td> <td>1/2</td> <td>2900</td> <td>1\"/&gt;  <tr> <td>U-19</td> <td>"</td> <td>"</td> <td>V-675</td> <td>122</td> <td>1/2</td> <td>2900</td> <td>1\"/&gt;  <tr> <td>U-20</td> <td>"</td> <td>"</td> <td>V-675</td> <td>122</td> <td>1/2</td> <td>2900</td> <td>1\"/&gt;  <tr> <td>U-21</td> <td>"</td> <td>"</td> <td>V-675</td> <td>122</td> <td>1/2</td> <td>2900</td> <td>1\"/&gt;  <tr> <td>U-22</td> <td>"</td> <td>"</td> <td>V-675</td> <td>122</td> <td>1/2</td> <td>2900</td> <td>1\"/&gt;  <tr> <td>U-23</td> <td>"</td> <td>"</td> <td>V-675</td> <td>122</td> <td>1/2</td> <td>2900</td> <td>1\"/&gt;  <tr> <td>U-24</td> <td>"</td> <td>"</td> <td>V-675</td> <td>122</td> <td>1/2</td> <td>2900</td> <td>1\"/&gt;  <tr> <td>U-25</td> <td>"</td> <td>"</td> <td>V-675</td> <td>122</td> <td>1/2</td> <td>2900</td> <td>1\"/&gt;  <tr> <td>U-26</td> <td>"</td> <td>"</td> <td>V-675</td> <td>122</td> <td>1/2</td> <td>2900</td> <td>1\"/&gt;  <tr> <td>U-27</td> <td>"</td> <td>"</td> <td>V-675</td> <td>122</td> <td>1/2</td> <td>2900</td> <td>1\"/&gt;  <tr> <td>U-28</td> <td>"</td> <td>"</td> <td>V-675</td> <td>122</td> <td>1/2</td> <td>2900</td> <td>1\"/&gt;  <tr> <td>U-29</td> <td>"</td> <td>"</td> <td>V-675</td> <td>122</td> <td>1/2</td> <td>2900</td> <td>1\"/&gt;  <tr> <td>U-30</td> <td>"</td> <td>"</td> <td>V-675</td> <td>122</td> <td>1/2</td> <td>2900</td> <td>1\"/&gt;  <tr> <td>U-31</td> <td>"</td> <td>"</td> <td>V-675</td> <td>122</td> <td>1/2</td> <td>2900</td> <td>1\"/&gt;  <tr> <td>U-32</td> <td>"</td> <td>"</td> <td>V-675</td> <td>122</td> <td>1/2</td> <td>2900</td> <td>1\"/&gt;  <tr> <td>U-33</td> <td>"</td> <td>"</td> <td>V-675</td> <td>122</td> <td>1/2</td> <td>2900</td> <td>1\"/&gt;  <tr> <td>U-34</td> <td>"</td> <td>"</td> <td>V-675</td> <td>122</td> <td>1/2</td> <td>2900</td> <td>1\"/&gt;  <tr> <td>U-35</td> <td>"</td> <td>"</td> <td>V-675</td> <td>122</td> <td>1/2</td> <td>2900</td> <td>1\"/&gt;  <tr> <td>U-36</td> <td>"</td> <td>"</td> <td>V-675</td> <td>122</td> <td>1/2</td> <td>2900</td> <td>1\"/&gt;  <tr> <td>U-37</td> <td>"</td> <td>"</td> <td>V-675</td> <td>122</td> <td>1/2</td> <td>2900</td> <td>1\"/&gt;  <tr> <td>U-38</td> <td>"</td> <td>"</td> <td>V-675</td> <td>122</td> <td>1/2</td> <td>2900</td> <td>1\"/&gt;  <tr> <td>U-39</td> <td>"</td> <td>"</td> <td>V-675</td> <td>122</td> <td>1/2</td> <td>2900</td> <td>1\"/&gt;  <tr> <td>U-40</td> <td>"</td> <td>"</td> <td>V-675</td> <td>122</td> <td>1/2</td> <td>2900</td> <td>1\"/&gt;  <tr> <td>U-41</td> <td>"</td> <td>"</td> <td>V-675</td> <td>122</td> <td>1/2</td> <td>2900</td> <td>1\"/&gt;  <tr> <td>U-42</td> <td>"</td> <td>"</td> <td>V-675</td> <td>122</td> <td>1/2</td> <td>2900</td> <td>1\"/&gt;  <tr> <td>U-43</td> <td>"</td> <td>"</td> <td>V-675</td> <td>122</td> <td>1/2</td> <td>2900</td> <td>1\"/&gt;  <tr> <td>U-44</td> <td>"</td> <td>"</td> <td>V-675</td> <td>122</td> <td>1/2</td> <td>2900</td> <td>1\"/&gt;  <tr> <td>U-45</td> <td>"</td> <td>"</td> <td>V-675</td> <td>122</td> <td>1/2</td> <td>2900</td> <td>1\"/&gt;  <tr> <td>U-46</td> <td>"</td> <td>"</td> <td>V-675</td> <td>122</td> <td>1/2</td> <td>2900</td> <td>1\"/&gt;  <tr> <td>U-47</td> <td>"</td> <td>"</td> <td>V-675</td> <td>122</td> <td>1/2</td> <td>2900</td> <td>1\"/&gt;  <tr> <td>U-48</td> <td>"</td> <td>"</td> <td>V-675</td> <td>122</td> <td>1/2</td> <td>2900</td> <td>1\"/&gt;  <tr> <td>U-49</td> <td>"</td> <td>"</td> <td>V-675</td> <td>122</td> <td>1/2</td> <td>2900</td> <td>1\"/&gt;  <tr> <td>U-50</td> <td>"</td> <td>"</td> <td>V-675</td> <td>122</td> <td>1/2</td> <td>2900</td> <td>1\"/&gt;  </td></tr></td></tr></td></tr></td></tr></td></tr></td></tr></td></tr></td></tr></td></tr></td></tr></td></tr></td></tr></td></tr></td></tr></td></tr></td></tr></td></tr></td></tr></td></tr></td></tr></td></tr></td></tr></td></tr></td></tr></td></tr></td></tr></td></tr></td></tr></td></tr></td></tr></td></tr></td></tr></td></tr></td></tr></td></tr></td></tr></td></tr></td></tr></td></tr></td></tr></td></tr>  | U-10 | " | " | V-675  | 122  | 1/2 | 2900   | 1\"/> <tr> <td>U-11</td> <td>"</td> <td>"</td> <td>V-675</td> <td>122</td> <td>1/2</td> <td>2900</td> <td>1\"/&gt;  <tr> <td>U-12</td> <td>"</td> <td>"</td> <td>V-675</td> <td>122</td> <td>1/2</td> <td>2900</td> <td>1\"/&gt;  <tr> <td>U-13</td> <td>"</td> <td>"</td> <td>V-675</td> <td>122</td> <td>1/2</td> <td>2900</td> <td>1\"/&gt;  <tr> <td>U-14</td> <td>"</td> <td>"</td> <td>V-675</td> <td>122</td> <td>1/2</td> <td>2900</td> <td>1\"/&gt;  <tr> <td>U-15</td> <td>"</td> <td>"</td> <td>V-675</td> <td>122</td> <td>1/2</td> <td>2900</td> <td>1\"/&gt;  <tr> <td>U-16</td> <td>"</td> <td>"</td> <td>V-675</td> <td>122</td> <td>1/2</td> <td>2900</td> <td>1\"/&gt;  <tr> <td>U-17</td> <td>"</td> <td>"</td> <td>V-675</td> <td>122</td> <td>1/2</td> <td>2900</td> <td>1\"/&gt;  <tr> <td>U-18</td> <td>"</td> <td>"</td> <td>V-675</td> <td>122</td> <td>1/2</td> <td>2900</td> <td>1\"/&gt;  <tr> <td>U-19</td> <td>"</td> <td>"</td> <td>V-675</td> <td>122</td> <td>1/2</td> <td>2900</td> <td>1\"/&gt;  <tr> <td>U-20</td> <td>"</td> <td>"</td> <td>V-675</td> <td>122</td> <td>1/2</td> <td>2900</td> <td>1\"/&gt;  <tr> <td>U-21</td> <td>"</td> <td>"</td> <td>V-675</td> <td>122</td> <td>1/2</td> <td>2900</td> <td>1\"/&gt;  <tr> <td>U-22</td> <td>"</td> <td>"</td> <td>V-675</td> <td>122</td> <td>1/2</td> <td>2900</td> <td>1\"/&gt;  <tr> <td>U-23</td> <td>"</td> <td>"</td> <td>V-675</td> <td>122</td> <td>1/2</td> <td>2900</td> <td>1\"/&gt;  <tr> <td>U-24</td> <td>"</td> <td>"</td> <td>V-675</td> <td>122</td> <td>1/2</td> <td>2900</td> <td>1\"/&gt;  <tr> <td>U-25</td> <td>"</td> <td>"</td> <td>V-675</td> <td>122</td> <td>1/2</td> <td>2900</td> <td>1\"/&gt;  <tr> <td>U-26</td> <td>"</td> <td>"</td> <td>V-675</td> <td>122</td> <td>1/2</td> <td>2900</td> <td>1\"/&gt;  <tr> <td>U-27</td> <td>"</td> <td>"</td> <td>V-675</td> <td>122</td> <td>1/2</td> <td>2900</td> <td>1\"/&gt;  <tr> <td>U-28</td> <td>"</td> <td>"</td> <td>V-675</td> <td>122</td> <td>1/2</td> <td>2900</td> <td>1\"/&gt;  <tr> <td>U-29</td> <td>"</td> <td>"</td> <td>V-675</td> <td>122</td> <td>1/2</td> <td>2900</td> <td>1\"/&gt;  <tr> <td>U-30</td> <td>"</td> <td>"</td> <td>V-675</td> <td>122</td> <td>1/2</td> <td>2900</td> <td>1\"/&gt;  <tr> <td>U-31</td> <td>"</td> <td>"</td> <td>V-675</td> <td>122</td> <td>1/2</td> <td>2900</td> <td>1\"/&gt;  <tr> <td>U-32</td> <td>"</td> <td>"</td> <td>V-675</td> <td>122</td> <td>1/2</td> <td>2900</td> <td>1\"/&gt;  <tr> <td>U-33</td> <td>"</td> <td>"</td> <td>V-675</td> <td>122</td> <td>1/2</td> <td>2900</td> <td>1\"/&gt;  <tr> <td>U-34</td> <td>"</td> <td>"</td> <td>V-675</td> <td>122</td> <td>1/2</td> <td>2900</td> <td>1\"/&gt;  <tr> <td>U-35</td> <td>"</td> <td>"</td> <td>V-675</td> <td>122</td> <td>1/2</td> <td>2900</td> <td>1\"/&gt;  <tr> <td>U-36</td> <td>"</td> <td>"</td> <td>V-675</td> <td>122</td> <td>1/2</td> <td>2900</td> <td>1\"/&gt;  <tr> <td>U-37</td> <td>"</td> <td>"</td> <td>V-675</td> <td>122</td> <td>1/2</td> <td>2900</td> <td>1\"/&gt;  <tr> <td>U-38</td> <td>"</td> <td>"</td> <td>V-675</td> <td>122</td> <td>1/2</td> <td>2900</td> <td>1\"/&gt;  <tr> <td>U-39</td> <td>"</td> <td>"</td> <td>V-675</td> <td>122</td> <td>1/2</td> <td>2900</td> <td>1\"/&gt;  <tr> <td>U-40</td> <td>"</td> <td>"</td> <td>V-675</td> <td>122</td> <td>1/2</td> <td>2900</td> <td>1\"/&gt; 
<tr> <td>U-41</td> <td>"</td> <td>"</td> <td>V-675</td> <td>122</td> <td>1/2</td> <td>2900</td> <td>1\"/&gt;  <tr> <td>U-42</td> <td>"</td> <td>"</td> <td>V-675</td> <td>122</td> <td>1/2</td> <td>2900</td> <td>1\"/&gt;  <tr> <td>U-43</td> <td>"</td> <td>"</td> <td>V-675</td> <td>122</td> <td>1/2</td> <td>2900</td> <td>1\"/&gt;  <tr> <td>U-44</td> <td>"</td> <td>"</td> <td>V-675</td> <td>122</td> <td>1/2</td> <td>2900</td> <td>1\"/&gt;  <tr> <td>U-45</td> <td>"</td> <td>"</td> <td>V-675</td> <td>122</td> <td>1/2</td> <td>2900</td> <td>1\"/&gt;  <tr> <td>U-46</td> <td>"</td> <td>"</td> <td>V-675</td> <td>122</td> <td>1/2</td> <td>2900</td> <td>1\"/&gt;  <tr> <td>U-47</td> <td>"</td> <td>"</td> <td>V-675</td> <td>122</td> <td>1/2</td> <td>2900</td> <td>1\"/&gt;  <tr> <td>U-48</td> <td>"</td> <td>"</td> <td>V-675</td> <td>122</td> <td>1/2</td> <td>2900</td> <td>1\"/&gt;  <tr> <td>U-49</td> <td>"</td> <td>"</td> <td>V-675</td> <td>122</td> <td>1/2</td> <td>2900</td> <td>1\"/&gt;  <tr> <td>U-50</td> <td>"</td> <td>"</td> <td>V-675</td> <td>122</td> <td>1/2</td> <td>2900</td> <td>1\"/&gt;  </td></tr></td></tr></td></tr></td></tr></td></tr></td></tr></td></tr></td></tr></td></tr></td></tr></td></tr></td></tr></td></tr></td></tr></td></tr></td></tr></td></tr></td></tr></td></tr></td></tr></td></tr></td></tr></td></tr></td></tr></td></tr></td></tr></td></tr></td></tr></td></tr></td></tr></td></tr></td></tr></td></tr></td></tr></td></tr></td></tr></td></tr></td></tr></td></tr></td></tr>   | U-11 | " | " | V-675  | 122 | 1/2 | 2900   | 1\"/> <tr> <td>U-12</td> <td>"</td> <td>"</td> <td>V-675</td> <td>122</td> <td>1/2</td> <td>2900</td> <td>1\"/&gt;  <tr> <td>U-13</td> <td>"</td> <td>"</td> <td>V-675</td> <td>122</td> <td>1/2</td> <td>2900</td> <td>1\"/&gt;  <tr> <td>U-14</td> <td>"</td> <td>"</td> <td>V-675</td> <td>122</td> <td>1/2</td> <td>2900</td> <td>1\"/&gt;  <tr> <td>U-15</td> <td>"</td> <td>"</td> <td>V-675</td> <td>122</td> <td>1/2</td> <td>2900</td> <td>1\"/&gt;  <tr> <td>U-16</td> <td>"</td> <td>"</td> <td>V-675</td> <td>122</td> <td>1/2</td> <td>2900</td> <td>1\"/&gt;  <tr> <td>U-17</td> <td>"</td> <td>"</td> <td>V-675</td> <td>122</td> <td>1/2</td> <td>2900</td> <td>1\"/&gt;  <tr> <td>U-18</td> <td>"</td> <td>"</td> <td>V-675</td> <td>122</td> <td>1/2</td> <td>2900</td> <td>1\"/&gt;  <tr> <td>U-19</td> <td>"</td> <td>"</td> <td>V-675</td> <td>122</td> <td>1/2</td> <td>2900</td> <td>1\"/&gt;  <tr> <td>U-20</td> <td>"</td> <td>"</td> <td>V-675</td> <td>122</td> <td>1/2</td> <td>2900</td> <td>1\"/&gt;  <tr> <td>U-21</td> <td>"</td> <td>"</td> <td>V-675</td> <td>122</td> <td>1/2</td> <td>2900</td> <td>1\"/&gt;  <tr> <td>U-22</td> <td>"</td> <td>"</td> <td>V-675</td> <td>122</td> <td>1/2</td> <td>2900</td> <td>1\"/&gt;  <tr> <td>U-23</td> <td>"</td> <td>"</td> <td>V-675</td> <td>122</td> <td>1/2</td> <td>2900</td> <td>1\"/&gt;  <tr> <td>U-24</td> <td>"</td> <td>"</td> <td>V-675</td> <td>122</td> <td>1/2</td> <td>2900</td> <td>1\"/&gt;  <tr> <td>U-25</td> <td>"</td> <td>"</td> <td>V-675</td> <td>122</td> <td>1/2</td> <td>2900</td> <td>1\"/&gt;  <tr> <td>U-26</td> <td>"</td> <td>"</td> <td>V-675</td> <td>122</td> <td>1/2</td> <td>2900</td> <td>1\"/&gt;  <tr> <td>U-27</td> <td>"</td> <td>"</td> <td>V-675</td> <td>122</td> <td>1/2</td> <td>2900</td> <td>1\"/&gt;  <tr> <td>U-28</td> <td>"</td> <td>"</td> <td>V-675</td> <td>122</td> <td>1/2</td> <td>2900</td> <td>1\"/&gt;  <tr> <td>U-29</td> <td>"</td> <td>"</td> <td>V-675</td> <td>122</td> <td>1/2</td> <td>2900</td> <td>1\"/&gt;  <tr> <td>U-30</td> <td>"</td> <td>"</td> <td>V-675</td> <td>122</td> <td>1/2</td> <td>2900</td> <td>1\"/&gt;  <tr> <td>U-31</td> <td>"</td> <td>"</td> <td>V-675</td> <td>122</td> <td>1/2</td> <td>2900</td> <td>1\"/&gt;  <tr> <td>U-32</td> <td>"</td> <td>"</td> <td>V-675</td> <td>122</td> <td>1/2</td> <td>2900</td> <td>1\"/&gt;  <tr> <td>U-33</td> <td>"</td> <td>"</td> <td>V-675</td> <td>122</td> <td>1/2</td> <td>2900</td> <td>1\"/&gt;  <tr> <td>U-34</td> <td>"</td> <td>"</td> <td>V-675</td> <td>122</td> <td>1/2</td> <td>2900</td> <td>1\"/&gt;  <tr> <td>U-35</td> <td>"</td> <td>"</td> <td>V-675</td> <td>122</td> <td>1/2</td> <td>2900</td> <td>1\"/&gt;  <tr> <td>U-36</td> <td>"</td> <td>"</td> <td>V-675</td> <td>122</td> <td>1/2</td> <td>2900</td> <td>1\"/&gt;  <tr> <td>U-37</td> <td>"</td> <td>"</td> <td>V-675</td> <td>122</td> <td>1/2</td> <td>2900</td> <td>1\"/&gt;  <tr> <td>U-38</td> <td>"</td> <td>"</td> <td>V-675</td> <td>122</td> <td>1/2</td> <td>2900</td> <td>1\"/&gt;  <tr> <td>U-39</td> <td>"</td> <td>"</td> <td>V-675</td> <td>122</td> <td>1/2</td> <td>2900</td> <td>1\"/&gt;  <tr> <td>U-40</td> <td>"</td> <td>"</td> <td>V-675</td> <td>122</td> <td>1/2</td> <td>2900</td> <td>1\"/&gt;  <tr> <td>U-41</td> <td>"</td> <td>"</td> <td>V-675</td> <td>122</td> <td>1/2</td> <td>2900</td> <td>1\"/&gt;  <tr> <td>U-42</td> <td>"</td> <td>"</td> <td>V-675</td> <td>122</td> <td>1/2</td> <td>2900</td> <td>1\"/&gt;  <tr> <td>U-43</td> <td>"</td> <td>"</td> <td>V-675</td> <td>122</td> <td>1/2</td> <td>2900</td> <td>1\"/&gt;  <tr> <td>U-44</td> <td>"</td> <td>"</td> <td>V-675</td> <td>122</td> <td>1/2</td> <td>2900</td> <td>1\"/&gt;  <tr> <td>U-45</td> <td>"</td> <td>"</td> <td>V-675</td> <td>122</td> <td>1/2</td> <td>2900</td> <td>1\"/&gt;  <tr> <td>U-46</td> <td>"</td> <td>"</td> <td>V-675</td> <td>122</td> <td>1/2</td> <td>2900</td> <td>1\"/&gt;  <tr> <td>U-47</td> <td>"</td> <td>"</td> <td>V-675</td> <td>122</td> <td>1/2</td> <td>2900</td> <td>1\"/&gt;  <tr> <td>U-48</td> <td>"</td> <td>"</td> <td>V-675</td> <td>122</td> <td>1/2</td> <td>2900</td> <td>1\"/&gt;  <tr> <td>U-49</td> <td>"</td> <td>"</td> <td>V-675</td> <td>122</td> <td>1/2</td> <td>2900</td> <td>1\"/&gt;  <tr> <td>U-50</td> <td>"</td> <td>"</td> <td>V-675</td> <td>122</td> <td>1/2</td> <td>2900</td> <td>1\"/&gt;  </td></tr></td></tr></td></tr></td></tr></td></tr></td></tr></td></tr></td></tr></td></tr></td></tr></td></tr></td></tr></td></tr></td></tr></td></tr></td></tr></td></tr></td></tr></td></tr></td></tr></td></tr></td></tr></td></tr></td></tr></td></tr></td></tr></td></tr></td></tr></td></tr></td></tr></td></tr></td></tr></td></tr></td></tr></td></tr></td></tr></td></tr></td></tr></td></tr>   | U-12 | " | " | V-675 | 122 | 1/2 | 2900    | 1\"/> <tr> <td>U-13</td> <td>"</td> <td>"</td> <td>V-675</td> <td>122</td> <td>1/2</td> <td>2900</td> <td>1\"/&gt;  <tr> <td>U-14</td> <td>"</td> <td>"</td> <td>V-675</td> <td>122</td> <td>1/2</td> <td>2900</td> <td>1\"/&gt;  <tr> <td>U-15</td> <td>"</td> <td>"</td> <td>V-675</td> <td>122</td> <td>1/2</td> <td>2900</td> <td>1\"/&gt;  <tr> <td>U-16</td> <td>"</td> <td>"</td> <td>V-675</td> <td>122</td> <td>1/2</td> <td>2900</td> <td>1\"/&gt;  <tr> <td>U-17</td> <td>"</td> <td>"</td> <td>V-675</td> <td>122</td> <td>1/2</td> <td>2900</td> <td>1\"/&gt;  <tr> <td>U-18</td> <td>"</td> <td>"</td> <td>V-675</td> <td>122</td> <td>1/2</td> <td>2900</td> <td>1\"/&gt;  <tr> <td>U-19</td> <td>"</td> <td>"</td> <td>V-675</td> <td>122</td> <td>1/2</td> <td>2900</td> <td>1\"/&gt;  <tr> <td>U-20</td> <td>"</td> <td>"</td> <td>V-675</td> <td>122</td> <td>1/2</td> <td>2900</td> <td>1\"/&gt;  <tr> <td>U-21</td> <td>"</td> <td>"</td> <td>V-675</td> <td>122</td> <td>1/2</td> <td>2900</td> <td>1\"/&gt;  <tr> <td>U-22</td> <td>"</td> <td>"</td> <td>V-675</td> <td>122</td> <td>1/2</td> <td>2900</td> <td>1\"/&gt;  <tr> <td>U-23</td> <td>"</td> <td>"</td> <td>V-675</td> <td>122</td> <td>1/2</td> <td>2900</td> <td>1\"/&gt;  <tr> <td>U-24</td> <td>"</td> <td>"</td> <td>V-675</td> <td>122</td> <td>1/2</td> <td>2900</td> <td>1\"/&gt;  <tr> <td>U-25</td> <td>"</td> <td>"</td> <td>V-675</td> <td>122</td> <td>1/2</td> <td>2900</td> <td>1\"/&gt;  <tr> <td>U-26</td> <td>"</td> <td>"</td> <td>V-675</td> <td>122</td> <td>1/2</td> <td>2900</td> <td>1\"/&gt;  <tr> <td>U-27</td> <td>"</td> <td>"</td> <td>V-675</td> <td>122</td> <td>1/2</td> <td>2900</td> <td>1\"/&gt;  <tr> <td>U-28</td> <td>"</td> <td>"</td> <td>V-675</td> <td>122</td> <td>1/2</td> <td>2900</td> <td>1\"/&gt;  <tr> <td>U-29</td> <td>"</td> <td>"</td>
<td>V-675</td> <td>122</td> <td>1/2</td> <td>2900</td> <td>1\"/&gt;  <tr> <td>U-30</td> <td>"</td> <td>"</td> <td>V-675</td> <td>122</td> <td>1/2</td> <td>2900</td> <td>1\"/&gt;  <tr> <td>U-31</td> <td>"</td> <td>"</td> <td>V-675</td> <td>122</td> <td>1/2</td> <td>2900</td> <td>1\"/&gt;  <tr> <td>U-32</td> <td>"</td> <td>"</td> <td>V-675</td> <td>122</td> <td>1/2</td> <td>2900</td> <td>1\"/&gt;  <tr> <td>U-33</td> <td>"</td> <td>"</td> <td>V-675</td> <td>122</td> <td>1/2</td> <td>2900</td> <td>1\"/&gt;  <tr> <td>U-34</td> <td>"</td> <td>"</td> <td>V-675</td> <td>122</td> <td>1/2</td> <td>2900</td> <td>1\"/&gt;  <tr> <td>U-35</td> <td>"</td> <td>"</td> <td>V-675</td> <td>122</td> <td>1/2</td> <td>2900</td> <td>1\"/&gt;  <tr> <td>U-36</td> <td>"</td> <td>"</td> <td>V-675</td> <td>122</td> <td>1/2</td> <td>2900</td> <td>1\"/&gt;  <tr> <td>U-37</td> <td>"</td> <td>"</td> <td>V-675</td> <td>122</td> <td>1/2</td> <td>2900</td> <td>1\"/&gt;  <tr> <td>U-38</td> <td>"</td> <td>"</td> <td>V-675</td> <td>122</td> <td>1/2</td> <td>2900</td> <td>1\"/&gt;  <tr> <td>U-39</td> <td>"</td> <td>"</td> <td>V-675</td> <td>122</td> <td>1/2</td> <td>2900</td> <td>1\"/&gt;  <tr> <td>U-40</td> <td>"</td> <td>"</td> <td>V-675</td> <td>122</td> <td>1/2</td> <td>2900</td> <td>1\"/&gt;  <tr> <td>U-41</td> <td>"</td> <td>"</td> <td>V-675</td> <td>122</td> <td>1/2</td> <td>2900</td> <td>1\"/&gt;  <tr> <td>U-42</td> <td>"</td> <td>"</td> <td>V-675</td> <td>122</td> <td>1/2</td> <td>2900</td> <td>1\"/&gt;  <tr> <td>U-43</td> <td>"</td> <td>"</td> <td>V-675</td> <td>122</td> <td>1/2</td> <td>2900</td> <td>1\"/&gt;  <tr> <td>U-44</td> <td>"</td> <td>"</td> <td>V-675</td> <td>122</td> <td>1/2</td> <td>2900</td> <td>1\"/&gt;  <tr> <td>U-45</td> <td>"</td> <td>"</td> <td>V-675</td> <td>122</td> <td>1/2</td> <td>2900</td> <td>1\"/&gt;  <tr> <td>U-46</td> <td>"</td> <td>"</td> <td>V-675</td> <td>122</td> <td>1/2</td> <td>2900</td> <td>1\"/&gt;  <tr> <td>U-47</td> <td>"</td> <td>"</td> <td>V-675</td> <td>122</td> <td>1/2</td> <td>2900</td> <td>1\"/&gt;  <tr> <td>U-48</td> <td>"</td> <td>"</td> <td>V-675</td> <td>122</td> <td>1/2</td> <td>2900</td> <td>1\"/&gt;  <tr> <td>U-49</td> <td>"</td> <td>"</td> <td>V-675</td> <td>122</td> <td>1/2</td> <td>2900</td> <td>1\"/&gt;  <tr> <td>U-50</td> <td>"</td> <td>"</td> <td>V-675</td> <td>122</td> <td>1/2</td> <td>2900</td> <td>1\"/&gt;  </td></tr></td></tr></td></tr></td></tr></td></tr></td></tr></td></tr></td></tr></td></tr></td></tr></td></tr></td></tr></td></tr></td></tr></td></tr></td></tr></td></tr></td></tr></td></tr></td></tr></td></tr></td></tr></td></tr></td></tr></td></tr></td></tr></td></tr></td></tr></td></tr></td></tr></td></tr></td></tr></td></tr></td></tr></td></tr></td></tr></td></tr></td></tr>  | U-13 | " | " | V-675 | 122 | 1/2 | 2900   | 1\"/> <tr> <td>U-14</td> <td>"</td> <td>"</td> <td>V-675</td> <td>122</td> <td>1/2</td> <td>2900</td> <td>1\"/&gt;  <tr> <td>U-15</td> <td>"</td> <td>"</td> <td>V-675</td> <td>122</td> <td>1/2</td> <td>2900</td> <td>1\"/&gt;  <tr> <td>U-16</td> <td>"</td> <td>"</td> <td>V-675</td> <td>122</td> <td>1/2</td> <td>2900</td> <td>1\"/&gt;  <tr> <td>U-17</td> <td>"</td> <td>"</td> <td>V-675</td> <td>122</td> <td>1/2</td> <td>2900</td> <td>1\"/&gt;  <tr> <td>U-18</td> <td>"</td> <td>"</td> <td>V-675</td> <td>122</td> <td>1/2</td> <td>2900</td> <td>1\"/&gt;  <tr> <td>U-19</td> <td>"</td> <td>"</td> <td>V-675</td> <td>122</td> <td>1/2</td> <td>2900</td> <td>1\"/&gt;  <tr> <td>U-20</td> <td>"</td> <td>"</td> <td>V-675</td> <td>122</td> <td>1/2</td> <td>2900</td> <td>1\"/&gt;  <tr> <td>U-21</td> <td>"</td> <td>"</td> <td>V-675</td> <td>122</td> <td>1/2</td> <td>2900</td> <td>1\"/&gt;  <tr> <td>U-22</td> <td>"</td> <td>"</td> <td>V-675</td> <td>122</td> <td>1/2</td> <td>2900</td> <td>1\"/&gt;  <tr> <td>U-23</td> <td>"</td> <td>"</td> <td>V-675</td> <td>122</td> <td>1/2</td> <td>2900</td> <td>1\"/&gt;  <tr> <td>U-24</td> <td>"</td> <td>"</td> <td>V-675</td> <td>122</td> <td>1/2</td> <td>2900</td> <td>1\"/&gt;  <tr> <td>U-25</td> <td>"</td> <td>"</td> <td>V-675</td> <td>122</td> <td>1/2</td> <td>2900</td> <td>1\"/&gt;  <tr> <td>U-26</td> <td>"</td> <td>"</td> <td>V-675</td> <td>122</td> <td>1/2</td> <td>2900</td> <td>1\"/&gt;  <tr> <td>U-27</td> <td>"</td> <td>"</td> <td>V-675</td> <td>122</td> <td>1/2</td> <td>2900</td> <td>1\"/&gt;  <tr> <td>U-28</td> <td>"</td> <td>"</td> <td>V-675</td> <td>122</td> <td>1/2</td> <td>2900</td> <td>1\"/&gt;  <tr> <td>U-29</td> <td>"</td> <td>"</td> <td>V-675</td> <td>122</td> <td>1/2</td> <td>2900</td> <td>1\"/&gt;  <tr> <td>U-30</td> <td>"</td> <td>"</td> <td>V-675</td> <td>122</td> <td>1/2</td> <td>2900</td> <td>1\"/&gt;  <tr> <td>U-31</td> <td>"</td> <td>"</td> <td>V-675</td> <td>122</td> <td>1/2</td> <td>2900</td> <td>1\"/&gt;  <tr> <td>U-32</td> <td>"</td> <td>"</td> <td>V-675</td> <td>122</td> <td>1/2</td> <td>2900</td> <td>1\"/&gt;  <tr> <td>U-33</td> <td>"</td> <td>"</td> <td>V-675</td> <td>122</td> <td>1/2</td> <td>2900</td> <td>1\"/&gt;  <tr> <td>U-34</td> <td>"</td> <td>"</td> <td>V-675</td> <td>122</td> <td>1/2</td> <td>2900</td> <td>1\"/&gt;  <tr> <td>U-35</td> <td>"</td> <td>"</td> <td>V-675</td> <td>122</td> <td>1/2</td> <td>2900</td> <td>1\"/&gt;  <tr> <td>U-36</td> <td>"</td> <td>"</td> <td>V-675</td> <td>122</td> <td>1/2</td> <td>2900</td> <td>1\"/&gt;  <tr> <td>U-37</td> <td>"</td> <td>"</td> <td>V-675</td> <td>122</td> <td>1/2</td> <td>2900</td> <td>1\"/&gt;  <tr> <td>U-38</td> <td>"</td> <td>"</td> <td>V-675</td> <td>122</td> <td>1/2</td> <td>2900</td> <td>1\"/&gt;  <tr> <td>U-39</td> <td>"</td> <td>"</td> <td>V-675</td> <td>122</td> <td>1/2</td> <td>2900</td> <td>1\"/&gt;  <tr> <td>U-40</td> <td>"</td> <td>"</td> <td>V-675</td> <td>122</td> <td>1/2</td> <td>2900</td> <td>1\"/&gt;  <tr> <td>U-41</td> <td>"</td> <td>"</td> <td>V-675</td> <td>122</td> <td>1/2</td> <td>2900</td> <td>1\"/&gt;  <tr> <td>U-42</td> <td>"</td> <td>"</td> <td>V-675</td> <td>122</td> <td>1/2</td> <td>2900</td> <td>1\"/&gt;  <tr> <td>U-43</td> <td>"</td> <td>"</td> <td>V-675</td> <td>122</td> <td>1/2</td> <td>2900</td> <td>1\"/&gt;  <tr> <td>U-44</td> <td>"</td> <td>"</td> <td>V-675</td> <td>122</td> <td>1/2</td> <td>2900</td> <td>1\"/&gt;  <tr> <td>U-45</td> <td>"</td> <td>"</td> <td>V-675</td> <td>122</td> <td>1/2</td> <td>2900</td> <td>1\"/&gt;  <tr> <td>U-46</td> <td>"</td> <td>"</td> <td>V-675</td> <td>122</td> <td>1/2</td> <td>2900</td> <td>1\"/&gt;  <tr> <td>U-47</td> <td>"</td> <td>"</td> <td>V-675</td> <td>122</td> <td>1/2</td> <td>2900</td> <td>1\"/&gt;  <tr> <td>U-48</td> <td>"</td> <td>"</td> <td>V-675</td> <td>122</td> <td>1/2</td> <td>2900</td> <td>1\"/&gt;  <tr> <td>U-49</td> <td>"</td> <td>"</td> <td>V-675</td> <td>122</td> <td>1/2</td> <td>2900</td> <td>1\"/&gt;  <tr> <td>U-50</td> <td>"</td> <td>"</td> <td>V-675</td> <td>122</td> <td>1/2</td> <td>2900</td> <td>1\"/&gt;  </td></tr></td></tr></td></tr></td></tr></td></tr></td></tr></td></tr></td></tr></td></tr></td></tr></td></tr></td></tr></td></tr></td></tr></td></tr></td></tr></td></tr></td></tr></td></tr></td></tr></td></tr></td></tr></td></tr></td></tr></td></tr></td></tr></td></tr></td></tr></td></tr></td></tr></td></tr></td></tr></td></tr></td></tr></td></tr></td></tr></td></tr>   | U-14 | " | " | V-675 | 122 | 1/2 | 2900    | 1\"/> <tr> <td>U-15</td> <td>"</td> <td>"</td> <td>V-675</td> <td>122</td> <td>1/2</td> <td>2900</td> <td>1\"/&gt;  <tr> <td>U-16</td> <td>"</td> <td>"</td> <td>V-675</td> <td>122</td> <td>1/2</td> <td>2900</td> <td>1\"/&gt;  <tr> <td>U-17</td> <td>"</td> <td>"</td> <td>V-675</td> <td>122</td> <td>1/2</td> <td>2900</td> <td>1\"/&gt;  <tr> <td>U-18</td> <td>"</td> <td>"</td> <td>V-675</td> <td>122</td> <td>1/2</td> <td>2900</td> <td>1\"/&gt;  <tr> <td>U-19</td> <td>"</td> <td>"</td> <td>V-675</td> <td>122</td> <td>1/2</td> <td>2900</td> <td>1\"/&gt;  <tr> <td>U-20</td> <td>"</td> <td>"</td> <td>V-675</td> <td>122</td> <td>1/2</td> <td>2900</td> <td>1\"/&gt;  <tr> <td>U-21</td> <td>"</td> <td>"</td> <td>V-675</td> <td>122</td> <td>1/2</td> <td>2900</td> <td>1\"/&gt;  <tr>
<td>U-22</td> <td>"</td> <td>"</td> <td>V-675</td> <td>122</td> <td>1/2</td> <td>2900</td> <td>1\"/&gt;  <tr> <td>U-23</td> <td>"</td> <td>"</td> <td>V-675</td> <td>122</td> <td>1/2</td> <td>2900</td> <td>1\"/&gt;  <tr> <td>U-24</td> <td>"</td> <td>"</td> <td>V-675</td> <td>122</td> <td>1/2</td> <td>2900</td> <td>1\"/&gt;  <tr> <td>U-25</td> <td>"</td> <td>"</td> <td>V-675</td> <td>122</td> <td>1/2</td> <td>2900</td> <td>1\"/&gt;  <tr> <td>U-26</td> <td>"</td> <td>"</td> <td>V-675</td> <td>122</td> <td>1/2</td> <td>2900</td> <td>1\"/&gt;  <tr> <td>U-27</td> <td>"</td> <td>"</td> <td>V-675</td> <td>122</td> <td>1/2</td> <td>2900</td> <td>1\"/&gt;  <tr> <td>U-28</td> <td>"</td> <td>"</td> <td>V-675</td> <td>122</td> <td>1/2</td> <td>2900</td> <td>1\"/&gt;  <tr> <td>U-29</td> <td>"</td> <td>"</td> <td>V-675</td> <td>122</td> <td>1/2</td> <td>2900</td> <td>1\"/&gt;  <tr> <td>U-30</td> <td>"</td> <td>"</td> <td>V-675</td> <td>122</td> <td>1/2</td> <td>2900</td> <td>1\"/&gt;  <tr> <td>U-31</td> <td>"</td> <td>"</td> <td>V-675</td> <td>122</td> <td>1/2</td> <td>2900</td> <td>1\"/&gt;  <tr> <td>U-32</td> <td>"</td> <td>"</td> <td>V-675</td> <td>122</td> <td>1/2</td> <td>2900</td> <td>1\"/&gt;  <tr> <td>U-33</td> <td>"</td> <td>"</td> <td>V-675</td> <td>122</td> <td>1/2</td> <td>2900</td> <td>1\"/&gt;  <tr> <td>U-34</td> <td>"</td> <td>"</td> <td>V-675</td> <td>122</td> <td>1/2</td> <td>2900</td> <td>1\"/&gt;  <tr> <td>U-35</td> <td>"</td> <td>"</td> <td>V-675</td> <td>122</td> <td>1/2</td> <td>2900</td> <td>1\"/&gt;  <tr> <td>U-36</td> <td>"</td> <td>"</td> <td>V-675</td> <td>122</td> <td>1/2</td> <td>2900</td> <td>1\"/&gt;  <tr> <td>U-37</td> <td>"</td> <td>"</td> <td>V-675</td> <td>122</td> <td>1/2</td> <td>2900</td> <td>1\"/&gt;  <tr> <td>U-38</td> <td>"</td> <td>"</td> <td>V-675</td> <td>122</td> <td>1/2</td> <td>2900</td> <td>1\"/&gt;  <tr> <td>U-39</td> <td>"</td> <td>"</td> <td>V-675</td> <td>122</td> <td>1/2</td> <td>2900</td> <td>1\"/&gt;  <tr> <td>U-40</td> <td>"</td> <td>"</td> <td>V-675</td> <td>122</td> <td>1/2</td> <td>2900</td> <td>1\"/&gt;  <tr> <td>U-41</td> <td>"</td> <td>"</td> <td>V-675</td> <td>122</td> <td>1/2</td> <td>2900</td> <td>1\"/&gt;  <tr> <td>U-42</td> <td>"</td> <td>"</td> <td>V-675</td> <td>122</td> <td>1/2</td> <td>2900</td> <td>1\"/&gt;  <tr> <td>U-43</td> <td>"</td> <td>"</td> <td>V-675</td> <td>122</td> <td>1/2</td> <td>2900</td> <td>1\"/&gt;  <tr> <td>U-44</td> <td>"</td> <td>"</td> <td>V-675</td> <td>122</td> <td>1/2</td> <td>2900</td> <td>1\"/&gt;  <tr> <td>U-45</td> <td>"</td> <td>"</td> <td>V-675</td> <td>122</td> <td>1/2</td> <td>2900</td> <td>1\"/&gt;  <tr> <td>U-46</td> <td>"</td> <td>"</td> <td>V-675</td> <td>122</td> <td>1/2</td> <td>2900</td> <td>1\"/&gt;  <tr> <td>U-47</td> <td>"</td> <td>"</td> <td>V-675</td> <td>122</td> <td>1/2</td> <td>2900</td> <td>1\"/&gt;  <tr> <td>U-48</td> <td>"</td> <td>"</td> <td>V-675</td> <td>122</td> <td>1/2</td> <td>2900</td> <td>1\"/&gt;  <tr> <td>U-49</td> <td>"</td> <td>"</td> <td>V-675</td> <td>122</td> <td>1/2</td> <td>2900</td> <td>1\"/&gt;  <tr> <td>U-50</td> <td>"</td> <td>"</td> <td>V-675</td> <td>122</td> <td>1/2</td> <td>2900</td> <td>1\"/&gt;  </td></tr></td></tr></td></tr></td></tr></td></tr></td></tr></td></tr></td></tr></td></tr></td></tr></td></tr></td></tr></td></tr></td></tr></td></tr></td></tr></td></tr></td></tr></td></tr></td></tr></td></tr></td></tr></td></tr></td></tr></td></tr></td></tr></td></tr></td></tr></td></tr></td></tr></td></tr></td></tr></td></tr></td></tr></td></tr></td></tr>  | U-15 | "           | "      | V-675  | 122  | 1/2 | 2900 | 1\"/> <tr> <td>U-16</td> <td>"</td> <td>"</td> <td>V-675</td> <td>122</td> <td>1/2</td> <td>2900</td> <td>1\"/&gt;  <tr> <td>U-17</td> <td>"</td> <td>"</td> <td>V-675</td> <td>122</td> <td>1/2</td> <td>2900</td> <td>1\"/&gt;  <tr> <td>U-18</td> <td>"</td> <td>"</td> <td>V-675</td> <td>122</td> <td>1/2</td> <td>2900</td> <td>1\"/&gt;  <tr> <td>U-19</td> <td>"</td> <td>"</td> <td>V-675</td> <td>122</td> <td>1/2</td> <td>2900</td> <td>1\"/&gt;  <tr> <td>U-20</td> <td>"</td> <td>"</td> <td>V-675</td> <td>122</td> <td>1/2</td> <td>2900</td> <td>1\"/&gt;  <tr> <td>U-21</td> <td>"</td> <td>"</td> <td>V-675</td> <td>122</td> <td>1/2</td> <td>2900</td> <td>1\"/&gt;  <tr> <td>U-22</td> <td>"</td> <td>"</td> <td>V-675</td> <td>122</td> <td>1/2</td> <td>2900</td> <td>1\"/&gt;  <tr> <td>U-23</td> <td>"</td> <td>"</td> <td>V-675</td> <td>122</td> <td>1/2</td> <td>2900</td> <td>1\"/&gt;  <tr> <td>U-24</td> <td>"</td> <td>"</td> <td>V-675</td> <td>122</td> <td>1/2</td> <td>2900</td> <td>1\"/&gt;  <tr> <td>U-25</td> <td>"</td> <td>"</td> <td>V-675</td> <td>122</td> <td>1/2</td> <td>2900</td> <td>1\"/&gt;  <tr> <td>U-26</td> <td>"</td> <td>"</td> <td>V-675</td> <td>122</td> <td>1/2</td> <td>2900</td> <td>1\"/&gt;  <tr> <td>U-27</td> <td>"</td> <td>"</td> <td>V-675</td> <td>122</td> <td>1/2</td> <td>2900</td> <td>1\"/&gt;  <tr> <td>U-28</td> <td>"</td> <td>"</td> <td>V-675</td> <td>122</td> <td>1/2</td> <td>2900</td> <td>1\"/&gt;  <tr> <td>U-29</td> <td>"</td> <td>"</td> <td>V-675</td> <td>122</td> <td>1/2</td> <td>2900</td> <td>1\"/&gt;  <tr> <td>U-30</td> <td>"</td> <td>"</td> <td>V-675</td> <td>122</td> <td>1/2</td> <td>2900</td> <td>1\"/&gt;  <tr> <td>U-31</td> <td>"</td> <td>"</td> <td>V-675</td> <td>122</td> <td>1/2</td> <td>2900</td> <td>1\"/&gt;  <tr> <td>U-32</td> <td>"</td> <td>"</td> <td>V-675</td> <td>122</td> <td>1/2</td> <td>2900</td> <td>1\"/&gt;  <tr> <td>U-33</td> <td>"</td> <td>"</td> <td>V-675</td> <td>122</td> <td>1/2</td> <td>2900</td> <td>1\"/&gt;  <tr> <td>U-34</td> <td>"</td> <td>"</td> <td>V-675</td> <td>122</td> <td>1/2</td> <td>2900</td> <td>1\"/&gt;  <tr> <td>U-35</td> <td>"</td> <td>"</td> <td>V-675</td> <td>122</td> <td>1/2</td> <td>2900</td> <td>1\"/&gt;  <tr> <td>U-36</td> <td>"</td> <td>"</td> <td>V-675</td> <td>122</td> <td>1/2</td> <td>2900</td> <td>1\"/&gt;  <tr> <td>U-37</td> <td>"</td> <td>"</td> <td>V-675</td> <td>122</td> <td>1/2</td> <td>2900</td> <td>1\"/&gt;  <tr> <td>U-38</td> <td>"</td> <td>"</td> <td>V-675</td> <td>122</td> <td>1/2</td> <td>2900</td> <td>1\"/&gt;  <tr> <td>U-39</td> <td>"</td> <td>"</td> <td>V-675</td> <td>122</td> <td>1/2</td> <td>2900</td> <td>1\"/&gt;  <tr> <td>U-40</td> <td>"</td> <td>"</td> <td>V-675</td> <td>122</td> <td>1/2</td> <td>2900</td> <td>1\"/&gt;  <tr> <td>U-41</td> <td>"</td> <td>"</td> <td>V-675</td> <td>122</td> <td>1/2</td> <td>2900</td> <td>1\"/&gt;  <tr> <td>U-42</td> <td>"</td> <td>"</td> <td>V-675</td> <td>122</td> <td>1/2</td> <td>2900</td> <td>1\"/&gt;  <tr> <td>U-43</td> <td>"</td> <td>"</td> <td>V-675</td> <td>122</td> <td>1/2</td> <td>2900</td> <td>1\"/&gt;  <tr> <td>U-44</td> <td>"</td> <td>"</td> <td>V-675</td> <td>122</td> <td>1/2</td> <td>2900</td> <td>1\"/&gt;  <tr> <td>U-45</td> <td>"</td> <td>"</td> <td>V-675</td> <td>122</td> <td>1/2</td> <td>2900</td> <td>1\"/&gt;  <tr> <td>U-46</td> <td>"</td> <td>"</td> <td>V-675</td> <td>122</td> <td>1/2</td> <td>2900</td> <td>1\"/&gt;  <tr> <td>U-47</td> <td>"</td> <td>"</td> <td>V-675</td> <td>122</td> <td>1/2</td> <td>2900</td> <td>1\"/&gt;  <tr> <td>U-48</td> <td>"</td> <td>"</td> <td>V-675</td> <td>122</td> <td>1/2</td> <td>2900</td> <td>1\"/&gt;  <tr> <td>U-49</td> <td>"</td> <td>"</td> <td>V-675</td> <td>122</td> <td>1/2</td> <td>2900</td> <td>1\"/&gt;  <tr> <td>U-50</td> <td>"</td> <td>"</td> <td>V-675</td> <td>122</td> <td>1/2</td> <td>2900</td> <td>1\"/&gt;  </td></tr></td></tr></td></tr></td></tr></td></tr></td></tr></td></tr></td></tr></td></tr></td></tr></td></tr></td></tr></td></tr></td></tr></td></tr></td></tr></td></tr></td></tr></td></tr></td></tr></td></tr></td></tr></td></tr></td></tr></td></tr></td></tr></td></tr></td></tr></td></tr></td></tr></td></tr></td></tr></td></tr></td></tr></td></tr>   
  | U-16 | " | " | V-675  | 122  | 1/2 | 2900 | 1\"/> <tr> <td>U-17</td> <td>"</td> <td>"</td> <td>V-675</td> <td>122</td> <td>1/2</td> <td>2900</td> <td>1\"/&gt;  <tr> <td>U-18</td> <td>"</td> <td>"</td> <td>V-675</td> <td>122</td> <td>1/2</td> <td>2900</td> <td>1\"/&gt;  <tr> <td>U-19</td> <td>"</td> <td>"</td> <td>V-675</td> <td>122</td> <td>1/2</td> <td>2900</td> <td>1\"/&gt;  <tr> <td>U-20</td> <td>"</td> <td>"</td> <td>V-675</td> <td>122</td> <td>1/2</td> <td>2900</td> <td>1\"/&gt;  <tr> <td>U-21</td> <td>"</td> <td>"</td> <td>V-675</td> <td>122</td> <td>1/2</td> <td>2900</td> <td>1\"/&gt;  <tr> <td>U-22</td> <td>"</td> <td>"</td> <td>V-675</td> <td>122</td> <td>1/2</td> <td>2900</td> <td>1\"/&gt;  <tr> <td>U-23</td> <td>"</td> <td>"</td> <td>V-675</td> <td>122</td> <td>1/2</td> <td>2900</td> <td>1\"/&gt;  <tr> <td>U-24</td> <td>"</td> <td>"</td> <td>V-675</td> <td>122</td> <td>1/2</td> <td>2900</td> <td>1\"/&gt;  <tr> <td>U-25</td> <td>"</td> <td>"</td> <td>V-675</td> <td>122</td> <td>1/2</td> <td>2900</td> <td>1\"/&gt;  <tr> <td>U-26</td> <td>"</td> <td>"</td> <td>V-675</td> <td>122</td> <td>1/2</td> <td>2900</td> <td>1\"/&gt;  <tr> <td>U-27</td> <td>"</td> <td>"</td> <td>V-675</td> <td>122</td> <td>1/2</td> <td>2900</td> <td>1\"/&gt;  <tr> <td>U-28</td> <td>"</td> <td>"</td> <td>V-675</td> <td>122</td> <td>1/2</td> <td>2900</td> <td>1\"/&gt;  <tr> <td>U-29</td> <td>"</td> <td>"</td> <td>V-675</td> <td>122</td> <td>1/2</td> <td>2900</td> <td>1\"/&gt;  <tr> <td>U-30</td> <td>"</td> <td>"</td> <td>V-675</td> <td>122</td> <td>1/2</td> <td>2900</td> <td>1\"/&gt;  <tr> <td>U-31</td> <td>"</td> <td>"</td> <td>V-675</td> <td>122</td> <td>1/2</td> <td>2900</td> <td>1\"/&gt;  <tr> <td>U-32</td> <td>"</td> <td>"</td> <td>V-675</td> <td>122</td> <td>1/2</td> <td>2900</td> <td>1\"/&gt;  <tr> <td>U-33</td> <td>"</td> <td>"</td> <td>V-675</td> <td>122</td> <td>1/2</td> <td>2900</td> <td>1\"/&gt;  <tr> <td>U-34</td> <td>"</td> <td>"</td> <td>V-675</td> <td>122</td> <td>1/2</td> <td>2900</td> <td>1\"/&gt;  <tr> <td>U-35</td> <td>"</td> <td>"</td> <td>V-675</td> <td>122</td> <td>1/2</td> <td>2900</td> <td>1\"/&gt;  <tr> <td>U-36</td> <td>"</td> <td>"</td> <td>V-675</td> <td>122</td> <td>1/2</td> <td>2900</td> <td>1\"/&gt;  <tr> <td>U-37</td> <td>"</td> <td>"</td> <td>V-675</td> <td>122</td> <td>1/2</td> <td>2900</td> <td>1\"/&gt;  <tr> <td>U-38</td> <td>"</td> <td>"</td> <td>V-675</td> <td>122</td> <td>1/2</td> <td>2900</td> <td>1\"/&gt;  <tr> <td>U-39</td> <td>"</td> <td>"</td> <td>V-675</td> <td>122</td> <td>1/2</td> <td>2900</td> <td>1\"/&gt;  <tr> <td>U-40</td> <td>"</td> <td>"</td> <td>V-675</td> <td>122</td> <td>1/2</td> <td>2900</td> <td>1\"/&gt;  <tr> <td>U-41</td> <td>"</td> <td>"</td> <td>V-675</td> <td>122</td> <td>1/2</td> <td>2900</td> <td>1\"/&gt;  <tr> <td>U-42</td> <td>"</td> <td>"</td> <td>V-675</td> <td>122</td> <td>1/2</td> <td>2900</td> <td>1\"/&gt;  <tr> <td>U-43</td> <td>"</td> <td>"</td> <td>V-675</td> <td>122</td> <td>1/2</td> <td>2900</td> <td>1\"/&gt;  <tr> <td>U-44</td> <td>"</td> <td>"</td> <td>V-675</td> <td>122</td> <td>1/2</td> <td>2900</td> <td>1\"/&gt;  <tr> <td>U-45</td> <td>"</td> <td>"</td> <td>V-675</td> <td>122</td> <td>1/2</td> <td>2900</td> <td>1\"/&gt;  <tr> <td>U-46</td> <td>"</td> <td>"</td> <td>V-675</td> <td>122</td> <td>1/2</td> <td>2900</td> <td>1\"/&gt;  <tr> <td>U-47</td> <td>"</td> <td>"</td> <td>V-675</td> <td>122</td> <td>1/2</td> <td>2900</td> <td>1\"/&gt;  <tr> <td>U-48</td> <td>"</td> <td>"</td> <td>V-675</td> <td>122</td> <td>1/2</td> <td>2900</td> <td>1\"/&gt;  <tr> <td>U-49</td> <td>"</td> <td>"</td> <td>V-675</td> <td>122</td> <td>1/2</td> <td>2900</td> <td>1\"/&gt;  <tr> <td>U-50</td> <td>"</td> <td>"</td> <td>V-675</td> <td>122</td> <td>1/2</td> <td>2900</td> <td>1\"/&gt;  </td></tr></td></tr></td></tr></td></tr></td></tr></td></tr></td></tr></td></tr></td></tr></td></tr></td></tr></td></tr></td></tr></td></tr></td></tr></td></tr></td></tr></td></tr></td></tr></td></tr></td></tr></td></tr></td></tr></td></tr></td></tr></td></tr></td></tr></td></tr></td></tr></td></tr></td></tr></td></tr></td></tr></td></tr>   | U-17 | " | " | V-675  | 122 | 1/2 | 2900 | 1\"/> <tr> <td>U-18</td> <td>"</td> <td>"</td> <td>V-675</td> <td>122</td> <td>1/2</td> <td>2900</td> <td>1\"/&gt;  <tr> <td>U-19</td> <td>"</td> <td>"</td> <td>V-675</td> <td>122</td> <td>1/2</td> <td>2900</td> <td>1\"/&gt;  <tr> <td>U-20</td> <td>"</td> <td>"</td> <td>V-675</td> <td>122</td> <td>1/2</td> <td>2900</td> <td>1\"/&gt;  <tr> <td>U-21</td> <td>"</td> <td>"</td> <td>V-675</td> <td>122</td> <td>1/2</td> <td>2900</td> <td>1\"/&gt;  <tr> <td>U-22</td> <td>"</td> <td>"</td> <td>V-675</td> <td>122</td> <td>1/2</td> <td>2900</td> <td>1\"/&gt;  <tr> <td>U-23</td> <td>"</td> <td>"</td> <td>V-675</td> <td>122</td> <td>1/2</td> <td>2900</td> <td>1\"/&gt;  <tr> <td>U-24</td> <td>"</td> <td>"</td> <td>V-675</td> <td>122</td> <td>1/2</td> <td>2900</td> <td>1\"/&gt;  <tr> <td>U-25</td> <td>"</td> <td>"</td> <td>V-675</td> <td>122</td> <td>1/2</td> <td>2900</td> <td>1\"/&gt;  <tr> <td>U-26</td> <td>"</td> <td>"</td> <td>V-675</td> <td>122</td> <td>1/2</td> <td>2900</td> <td>1\"/&gt;  <tr> <td>U-27</td> <td>"</td> <td>"</td> <td>V-675</td> <td>122</td> <td>1/2</td> <td>2900</td> <td>1\"/&gt;  <tr> <td>U-28</td> <td>"</td> <td>"</td> <td>V-675</td> <td>122</td> <td>1/2</td> <td>2900</td> <td>1\"/&gt;  <tr> <td>U-29</td> <td>"</td> <td>"</td> <td>V-675</td> <td>122</td> <td>1/2</td> <td>2900</td> <td>1\"/&gt;  <tr> <td>U-30</td> <td>"</td> <td>"</td> <td>V-675</td> <td>122</td> <td>1/2</td> <td>2900</td> <td>1\"/&gt;  <tr> <td>U-31</td> <td>"</td> <td>"</td> <td>V-675</td> <td>122</td> <td>1/2</td> <td>2900</td> <td>1\"/&gt;  <tr> <td>U-32</td> <td>"</td> <td>"</td> <td>V-675</td> <td>122</td> <td>1/2</td> <td>2900</td> <td>1\"/&gt;  <tr> <td>U-33</td> <td>"</td> <td>"</td> <td>V-675</td> <td>122</td> <td>1/2</td> <td>2900</td> <td>1\"/&gt;  <tr> <td>U-34</td> <td>"</td> <td>"</td> <td>V-675</td> <td>122</td> <td>1/2</td> <td>2900</td> <td>1\"/&gt;  <tr> <td>U-35</td> <td>"</td> <td>"</td> <td>V-675</td> <td>122</td> <td>1/2</td> <td>2900</td> <td>1\"/&gt;  <tr> <td>U-36</td> <td>"</td> <td>"</td> <td>V-675</td> <td>122</td> <td>1/2</td> <td>2900</td> <td>1\"/&gt;  <tr> <td>U-37</td> <td>"</td> <td>"</td> <td>V-675</td> <td>122</td> <td>1/2</td> <td>2900</td> <td>1\"/&gt;  <tr> <td>U-38</td> <td>"</td> <td>"</td> <td>V-675</td> <td>122</td> <td>1/2</td> <td>2900</td> <td>1\"/&gt;  <tr> <td>U-39</td> <td>"</td> <td>"</td> <td>V-675</td> <td>122</td> <td>1/2</td> <td>2900</td> <td>1\"/&gt;  <tr> <td>U-40</td> <td>"</td> <td>"</td> <td>V-675</td> <td>122</td> <td>1/2</td> <td>2900</td> <td>1\"/&gt;  <tr> <td>U-41</td> <td>"</td> <td>"</td> <td>V-675</td> <td>122</td> <td>1/2</td> <td>2900</td> <td>1\"/&gt;  <tr> <td>U-42</td> <td>"</td> <td>"</td> <td>V-675</td> <td>122</td> <td>1/2</td> <td>2900</td> <td>1\"/&gt;  <tr> <td>U-43</td> <td>"</td> <td>"</td> <td>V-675</td> <td>122</td> <td>1/2</td> <td>2900</td> <td>1\"/&gt;  <tr> <td>U-44</td> <td>"</td> <td>"</td> <td>V-675</td> <td>122</td> <td>1/2</td> <td>2900</td> <td>1\"/&gt;  <tr> <td>U-45</td> <td>"</td> <td>"</td> <td>V-675</td> <td>122</td> <td>1/2</td> <td>2900</td> <td>1\"/&gt;  <tr> <td>U-46</td> <td>"</td> <td>"</td> <td>V-675</td> <td>122</td> <td>1/2</td> <td>2900</td> <td>1\"/&gt;  <tr> <td>U-47</td> <td>"</td> <td>"</td> <td>V-675</td> <td>122</td> <td>1/2</td> <td>2900</td> <td>1\"/&gt;  <tr> <td>U-48</td> <td>"</td> <td>"</td> <td>V-675</td> <td>122</td> <td>1/2</td> <td>2900</td> <td>1\"/&gt;  <tr> <td>U-49</td> <td>"</td> <td>"</td> <td>V-675</td> <td>122</td> <td>1/2</td> <td>2900</td> <td>1\"/&gt;  <tr> <td>U-50</td> <td>"</td> <td>"</td> <td>V-675</td> <td>122</td> <td>1/2</td> <td>2900</td> <td>1\"/&gt; 
</td></tr></td></tr></td></tr></td></tr></td></tr></td></tr></td></tr></td></tr></td></tr></td></tr></td></tr></td></tr></td></tr></td></tr></td></tr></td></tr></td></tr></td></tr></td></tr></td></tr></td></tr></td></tr></td></tr></td></tr></td></tr></td></tr></td></tr></td></tr></td></tr></td></tr></td></tr></td></tr></td></tr>   | U-18 | " | " | V-675 | 122 | 1/2 | 2900 | 1\"/> <tr> <td>U-19</td> <td>"</td> <td>"</td> <td>V-675</td> <td>122</td> <td>1/2</td> <td>2900</td> <td>1\"/&gt;  <tr> <td>U-20</td> <td>"</td> <td>"</td> <td>V-675</td> <td>122</td> <td>1/2</td> <td>2900</td> <td>1\"/&gt;  <tr> <td>U-21</td> <td>"</td> <td>"</td> <td>V-675</td> <td>122</td> <td>1/2</td> <td>2900</td> <td>1\"/&gt;  <tr> <td>U-22</td> <td>"</td> <td>"</td> <td>V-675</td> <td>122</td> <td>1/2</td> <td>2900</td> <td>1\"/&gt;  <tr> <td>U-23</td> <td>"</td> <td>"</td> <td>V-675</td> <td>122</td> <td>1/2</td> <td>2900</td> <td>1\"/&gt;  <tr> <td>U-24</td> <td>"</td> <td>"</td> <td>V-675</td> <td>122</td> <td>1/2</td> <td>2900</td> <td>1\"/&gt;  <tr> <td>U-25</td> <td>"</td> <td>"</td> <td>V-675</td> <td>122</td> <td>1/2</td> <td>2900</td> <td>1\"/&gt;  <tr> <td>U-26</td> <td>"</td> <td>"</td> <td>V-675</td> <td>122</td> <td>1/2</td> <td>2900</td> <td>1\"/&gt;  <tr> <td>U-27</td> <td>"</td> <td>"</td> <td>V-675</td> <td>122</td> <td>1/2</td> <td>2900</td> <td>1\"/&gt;  <tr> <td>U-28</td> <td>"</td> <td>"</td> <td>V-675</td> <td>122</td> <td>1/2</td> <td>2900</td> <td>1\"/&gt;  <tr> <td>U-29</td> <td>"</td> <td>"</td> <td>V-675</td> <td>122</td> <td>1/2</td> <td>2900</td> <td>1\"/&gt;  <tr> <td>U-30</td> <td>"</td> <td>"</td> <td>V-675</td> <td>122</td> <td>1/2</td> <td>2900</td> <td>1\"/&gt;  <tr> <td>U-31</td> <td>"</td> <td>"</td> <td>V-675</td> <td>122</td> <td>1/2</td> <td>2900</td> <td>1\"/&gt;  <tr> <td>U-32</td> <td>"</td> <td>"</td> <td>V-675</td> <td>122</td> <td>1/2</td> <td>2900</td> <td>1\"/&gt;  <tr> <td>U-33</td> <td>"</td> <td>"</td> <td>V-675</td> <td>122</td> <td>1/2</td> <td>2900</td> <td>1\"/&gt;  <tr> <td>U-34</td> <td>"</td> <td>"</td> <td>V-675</td> <td>122</td> <td>1/2</td> <td>2900</td> <td>1\"/&gt;  <tr> <td>U-35</td> <td>"</td> <td>"</td> <td>V-675</td> <td>122</td> <td>1/2</td> <td>2900</td> <td>1\"/&gt;  <tr> <td>U-36</td> <td>"</td> <td>"</td> <td>V-675</td> <td>122</td> <td>1/2</td> <td>2900</td> <td>1\"/&gt;  <tr> <td>U-37</td> <td>"</td> <td>"</td> <td>V-675</td> <td>122</td> <td>1/2</td> <td>2900</td> <td>1\"/&gt;  <tr> <td>U-38</td> <td>"</td> <td>"</td> <td>V-675</td> <td>122</td> <td>1/2</td> <td>2900</td> <td>1\"/&gt;  <tr> <td>U-39</td> <td>"</td> <td>"</td> <td>V-675</td> <td>122</td> <td>1/2</td> <td>2900</td> <td>1\"/&gt;  <tr> <td>U-40</td> <td>"</td> <td>"</td> <td>V-675</td> <td>122</td> <td>1/2</td> <td>2900</td> <td>1\"/&gt;  <tr> <td>U-41</td> <td>"</td> <td>"</td> <td>V-675</td> <td>122</td> <td>1/2</td> <td>2900</td> <td>1\"/&gt;  <tr> <td>U-42</td> <td>"</td> <td>"</td> <td>V-675</td> <td>122</td> <td>1/2</td> <td>2900</td> <td>1\"/&gt;  <tr> <td>U-43</td> <td>"</td> <td>"</td> <td>V-675</td> <td>122</td> <td>1/2</td> <td>2900</td> <td>1\"/&gt;  <tr> <td>U-44</td> <td>"</td> <td>"</td> <td>V-675</td> <td>122</td> <td>1/2</td> <td>2900</td> <td>1\"/&gt;  <tr> <td>U-45</td> <td>"</td> <td>"</td> <td>V-675</td> <td>122</td> <td>1/2</td> <td>2900</td> <td>1\"/&gt;  <tr> <td>U-46</td> <td>"</td> <td>"</td> <td>V-675</td> <td>122</td> <td>1/2</td> <td>2900</td> <td>1\"/&gt;  <tr> <td>U-47</td> <td>"</td> <td>"</td> <td>V-675</td> <td>122</td> <td>1/2</td> <td>2900</td> <td>1\"/&gt;  <tr> <td>U-48</td> <td>"</td> <td>"</td> <td>V-675</td> <td>122</td> <td>1/2</td> <td>2900</td> <td>1\"/&gt;  <tr> <td>U-49</td> <td>"</td> <td>"</td> <td>V-675</td> <td>122</td> <td>1/2</td> <td>2900</td> <td>1\"/&gt;  <tr> <td>U-50</td> <td>"</td> <td>"</td> <td>V-675</td> <td>122</td> <td>1/2</td> <td>2900</td> <td>1\"/&gt;  </td></tr></td></tr></td></tr></td></tr></td></tr></td></tr></td></tr></td></tr></td></tr></td></tr></td></tr></td></tr></td></tr></td></tr></td></tr></td></tr></td></tr></td></tr></td></tr></td></tr></td></tr></td></tr></td></tr></td></tr></td></tr></td></tr></td></tr></td></tr></td></tr></td></tr></td></tr></td></tr>  | U-19 | " | " | V-675 | 122 | 1/2 | 2900 | 1\"/> <tr> <td>U-20</td> <td>"</td> <td>"</td> <td>V-675</td> <td>122</td> <td>1/2</td> <td>2900</td> <td>1\"/&gt;  <tr> <td>U-21</td> <td>"</td> <td>"</td> <td>V-675</td> <td>122</td> <td>1/2</td> <td>2900</td> <td>1\"/&gt;  <tr> <td>U-22</td> <td>"</td> <td>"</td> <td>V-675</td> <td>122</td> <td>1/2</td> <td>2900</td> <td>1\"/&gt;  <tr> <td>U-23</td> <td>"</td> <td>"</td> <td>V-675</td> <td>122</td> <td>1/2</td> <td>2900</td> <td>1\"/&gt;  <tr> <td>U-24</td> <td>"</td> <td>"</td> <td>V-675</td> <td>122</td> <td>1/2</td> <td>2900</td> <td>1\"/&gt;  <tr> <td>U-25</td> <td>"</td> <td>"</td> <td>V-675</td> <td>122</td> <td>1/2</td> <td>2900</td> <td>1\"/&gt;  <tr> <td>U-26</td> <td>"</td> <td>"</td> <td>V-675</td> <td>122</td> <td>1/2</td> <td>2900</td> <td>1\"/&gt;  <tr> <td>U-27</td> <td>"</td> <td>"</td> <td>V-675</td> <td>122</td> <td>1/2</td> <td>2900</td> <td>1\"/&gt;  <tr> <td>U-28</td> <td>"</td> <td>"</td> <td>V-675</td> <td>122</td> <td>1/2</td> <td>2900</td> <td>1\"/&gt;  <tr> <td>U-29</td> <td>"</td> <td>"</td> <td>V-675</td> <td>122</td> <td>1/2</td> <td>2900</td> <td>1\"/&gt;  <tr> <td>U-30</td> <td>"</td> <td>"</td> <td>V-675</td> <td>122</td> <td>1/2</td> <td>2900</td> <td>1\"/&gt;  <tr> <td>U-31</td> <td>"</td> <td>"</td> <td>V-675</td> <td>122</td> <td>1/2</td> <td>2900</td> <td>1\"/&gt;  <tr> <td>U-32</td> <td>"</td> <td>"</td> <td>V-675</td> <td>122</td> <td>1/2</td> <td>2900</td> <td>1\"/&gt;  <tr> <td>U-33</td> <td>"</td> <td>"</td> <td>V-675</td> <td>122</td> <td>1/2</td> <td>2900</td> <td>1\"/&gt;  <tr> <td>U-34</td> <td>"</td> <td>"</td> <td>V-675</td> <td>122</td> <td>1/2</td> <td>2900</td> <td>1\"/&gt;  <tr> <td>U-35</td> <td>"</td> <td>"</td> <td>V-675</td> <td>122</td> <td>1/2</td> <td>2900</td> <td>1\"/&gt;  <tr> <td>U-36</td> <td>"</td> <td>"</td> <td>V-675</td> <td>122</td> <td>1/2</td> <td>2900</td> <td>1\"/&gt;  <tr> <td>U-37</td> <td>"</td> <td>"</td> <td>V-675</td> <td>122</td> <td>1/2</td> <td>2900</td> <td>1\"/&gt;  <tr> <td>U-38</td> <td>"</td> <td>"</td> <td>V-675</td> <td>122</td> <td>1/2</td> <td>2900</td> <td>1\"/&gt;  <tr> <td>U-39</td> <td>"</td> <td>"</td> <td>V-675</td> <td>122</td> <td>1/2</td> <td>2900</td> <td>1\"/&gt;  <tr> <td>U-40</td> <td>"</td> <td>"</td> <td>V-675</td> <td>122</td> <td>1/2</td> <td>2900</td> <td>1\"/&gt;  <tr> <td>U-41</td> <td>"</td> <td>"</td> <td>V-675</td> <td>122</td>
<td>1/2</td> <td>2900</td> <td>1\"/&gt;  <tr> <td>U-42</td> <td>"</td> <td>"</td> <td>V-675</td> <td>122</td> <td>1/2</td> <td>2900</td> <td>1\"/&gt;  <tr> <td>U-43</td> <td>"</td> <td>"</td> <td>V-675</td> <td>122</td> <td>1/2</td> <td>2900</td> <td>1\"/&gt;  <tr> <td>U-44</td> <td>"</td> <td>"</td> <td>V-675</td> <td>122</td> <td>1/2</td> <td>2900</td> <td>1\"/&gt;  <tr> <td>U-45</td> <td>"</td> <td>"</td> <td>V-675</td> <td>122</td> <td>1/2</td> <td>2900</td> <td>1\"/&gt;  <tr> <td>U-46</td> <td>"</td> <td>"</td> <td>V-675</td> <td>122</td> <td>1/2</td> <td>2900</td> <td>1\"/&gt;  <tr> <td>U-47</td> <td>"</td> <td>"</td> <td>V-675</td> <td>122</td> <td>1/2</td> <td>2900</td> <td>1\"/&gt;  <tr> <td>U-48</td> <td>"</td> <td>"</td> <td>V-675</td> <td>122</td> <td>1/2</td> <td>2900</td> <td>1\"/&gt;  <tr> <td>U-49</td> <td>"</td> <td>"</td> <td>V-675</td> <td>122</td> <td>1/2</td> <td>2900</td> <td>1\"/&gt;  <tr> <td>U-50</td> <td>"</td> <td>"</td> <td>V-675</td> <td>122</td> <td>1/2</td> <td>2900</td> <td>1\"/&gt;  </td></tr></td></tr></td></tr></td></tr></td></tr></td></tr></td></tr></td></tr></td></tr></td></tr></td></tr></td></tr></td></tr></td></tr></td></tr></td></tr></td></tr></td></tr></td></tr></td></tr></td></tr></td></tr></td></tr></td></tr></td></tr></td></tr></td></tr></td></tr></td></tr></td></tr></td></tr>   | U-20 | " | " | V-675 | 122 | 1/2 | 2900 | 1\"/> <tr> <td>U-21</td> <td>"</td> <td>"</td> <td>V-675</td> <td>122</td> <td>1/2</td> <td>2900</td> <td>1\"/&gt;  <tr> <td>U-22</td> <td>"</td> <td>"</td> <td>V-675</td> <td>122</td> <td>1/2</td> <td>2900</td> <td>1\"/&gt;  <tr> <td>U-23</td> <td>"</td> <td>"</td> <td>V-675</td> <td>122</td> <td>1/2</td> <td>2900</td> <td>1\"/&gt;  <tr> <td>U-24</td> <td>"</td> <td>"</td> <td>V-675</td> <td>122</td> <td>1/2</td> <td>2900</td> <td>1\"/&gt;  <tr> <td>U-25</td> <td>"</td> <td>"</td> <td>V-675</td> <td>122</td> <td>1/2</td> <td>2900</td> <td>1\"/&gt;  <tr> <td>U-26</td> <td>"</td> <td>"</td> <td>V-675</td> <td>122</td> <td>1/2</td> <td>2900</td> <td>1\"/&gt;  <tr> <td>U-27</td> <td>"</td> <td>"</td> <td>V-675</td> <td>122</td> <td>1/2</td> <td>2900</td> <td>1\"/&gt;  <tr> <td>U-28</td> <td>"</td> <td>"</td> <td>V-675</td> <td>122</td> <td>1/2</td> <td>2900</td> <td>1\"/&gt;  <tr> <td>U-29</td> <td>"</td> <td>"</td> <td>V-675</td> <td>122</td> <td>1/2</td> <td>2900</td> <td>1\"/&gt;  <tr> <td>U-30</td> <td>"</td> <td>"</td> <td>V-675</td> <td>122</td> <td>1/2</td> <td>2900</td> <td>1\"/&gt;  <tr> <td>U-31</td> <td>"</td> <td>"</td> <td>V-675</td> <td>122</td> <td>1/2</td> <td>2900</td> <td>1\"/&gt;  <tr> <td>U-32</td> <td>"</td> <td>"</td> <td>V-675</td> <td>122</td> <td>1/2</td> <td>2900</td> <td>1\"/&gt;  <tr> <td>U-33</td> <td>"</td> <td>"</td> <td>V-675</td> <td>122</td> <td>1/2</td> <td>2900</td> <td>1\"/&gt;  <tr> <td>U-34</td> <td>"</td> <td>"</td> <td>V-675</td> <td>122</td> <td>1/2</td> <td>2900</td> <td>1\"/&gt;  <tr> <td>U-35</td> <td>"</td> <td>"</td> <td>V-675</td> <td>122</td> <td>1/2</td> <td>2900</td> <td>1\"/&gt;  <tr> <td>U-36</td> <td>"</td> <td>"</td> <td>V-675</td> <td>122</td> <td>1/2</td> <td>2900</td> <td>1\"/&gt;  <tr> <td>U-37</td> <td>"</td> <td>"</td> <td>V-675</td> <td>122</td> <td>1/2</td> <td>2900</td> <td>1\"/&gt;  <tr> <td>U-38</td> <td>"</td> <td>"</td> <td>V-675</td> <td>122</td> <td>1/2</td> <td>2900</td> <td>1\"/&gt;  <tr> <td>U-39</td> <td>"</td> <td>"</td> <td>V-675</td> <td>122</td> <td>1/2</td> <td>2900</td> <td>1\"/&gt;  <tr> <td>U-40</td> <td>"</td> <td>"</td> <td>V-675</td> <td>122</td> <td>1/2</td> <td>2900</td> <td>1\"/&gt;  <tr> <td>U-41</td> <td>"</td> <td>"</td> <td>V-675</td> <td>122</td> <td>1/2</td> <td>2900</td> <td>1\"/&gt;  <tr> <td>U-42</td> <td>"</td> <td>"</td> <td>V-675</td> <td>122</td> <td>1/2</td> <td>2900</td> <td>1\"/&gt;  <tr> <td>U-43</td> <td>"</td> <td>"</td> <td>V-675</td> <td>122</td> <td>1/2</td> <td>2900</td> <td>1\"/&gt;  <tr> <td>U-44</td> <td>"</td> <td>"</td> <td>V-675</td> <td>122</td> <td>1/2</td> <td>2900</td> <td>1\"/&gt;  <tr> <td>U-45</td> <td>"</td> <td>"</td> <td>V-675</td> <td>122</td> <td>1/2</td> <td>2900</td> <td>1\"/&gt;  <tr> <td>U-46</td> <td>"</td> <td>"</td> <td>V-675</td> <td>122</td> <td>1/2</td> <td>2900</td> <td>1\"/&gt;  <tr> <td>U-47</td> <td>"</td> <td>"</td> <td>V-675</td> <td>122</td> <td>1/2</td> <td>2900</td> <td>1\"/&gt;  <tr> <td>U-48</td> <td>"</td> <td>"</td> <td>V-675</td> <td>122</td> <td>1/2</td> <td>2900</td> <td>1\"/&gt;  <tr> <td>U-49</td> <td>"</td> <td>"</td> <td>V-675</td> <td>122</td> <td>1/2</td> <td>2900</td> <td>1\"/&gt;  <tr> <td>U-50</td> <td>"</td> <td>"</td> <td>V-675</td> <td>122</td> <td>1/2</td> <td>2900</td> <td>1\"/&gt;  </td></tr></td></tr></td></tr></td></tr></td></tr></td></tr></td></tr></td></tr></td></tr></td></tr></td></tr></td></tr></td></tr></td></tr></td></tr></td></tr></td></tr></td></tr></td></tr></td></tr></td></tr></td></tr></td></tr></td></tr></td></tr></td></tr></td></tr></td></tr></td></tr></td></tr>  | U-21 | " | " | V-675 | 122 | 1/2 | 2900 | 1\"/> <tr> <td>U-22</td> <td>"</td> <td>"</td> <td>V-675</td> <td>122</td> <td>1/2</td> <td>2900</td> <td>1\"/&gt;  <tr> <td>U-23</td> <td>"</td> <td>"</td> <td>V-675</td> <td>122</td> <td>1/2</td> <td>2900</td> <td>1\"/&gt;  <tr> <td>U-24</td> <td>"</td> <td>"</td> <td>V-675</td> <td>122</td> <td>1/2</td> <td>2900</td> <td>1\"/&gt;  <tr> <td>U-25</td> <td>"</td> <td>"</td> <td>V-675</td> <td>122</td> <td>1/2</td> <td>2900</td> <td>1\"/&gt;  <tr> <td>U-26</td> <td>"</td> <td>"</td> <td>V-675</td> <td>122</td> <td>1/2</td> <td>2900</td> <td>1\"/&gt;  <tr> <td>U-27</td> <td>"</td> <td>"</td> <td>V-675</td> <td>122</td> <td>1/2</td> <td>2900</td> <td>1\"/&gt;  <tr> <td>U-28</td> <td>"</td> <td>"</td> <td>V-675</td> <td>122</td> <td>1/2</td> <td>2900</td> <td>1\"/&gt;  <tr> <td>U-29</td> <td>"</td> <td>"</td> <td>V-675</td> <td>122</td> <td>1/2</td> <td>2900</td> <td>1\"/&gt;  <tr> <td>U-30</td> <td>"</td> <td>"</td> <td>V-675</td> <td>122</td> <td>1/2</td> <td>2900</td> <td>1\"/&gt;  <tr> <td>U-31</td> <td>"</td> <td>"</td> <td>V-675</td> <td>122</td> <td>1/2</td> <td>2900</td> <td>1\"/&gt;  <tr> <td>U-32</td> <td>"</td> <td>"</td> <td>V-675</td> <td>122</td> <td>1/2</td> <td>2900</td> <td>1\"/&gt;  <tr> <td>U-33</td> <td>"</td> <td>"</td> <td>V-675</td> <td>122</td> <td>1/2</td> <td>2900</td> <td>1\"/&gt;  <tr> <td>U-34</td> <td>"</td> <td>"</td> <td>V-675</td> <td>122</td> <td>1/2</td> <td>2900</td> <td>1\"/&gt;  <tr> <td>U-35</td> <td>"</td> <td>"</td> <td>V-675</td> <td>122</td> <td>1/2</td> <td>2900</td> <td>1\"/&gt;  <tr> <td>U-36</td> <td>"</td> <td>"</td> <td>V-675</td>
<td>122</td> <td>1/2</td> <td>2900</td> <td>1\"/&gt;  <tr> <td>U-37</td> <td>"</td> <td>"</td> <td>V-675</td> <td>122</td> <td>1/2</td> <td>2900</td> <td>1\"/&gt;  <tr> <td>U-38</td> <td>"</td> <td>"</td> <td>V-675</td> <td>122</td> <td>1/2</td> <td>2900</td> <td>1\"/&gt;  <tr> <td>U-39</td> <td>"</td> <td>"</td> <td>V-675</td> <td>122</td> <td>1/2</td> <td>2900</td> <td>1\"/&gt;  <tr> <td>U-40</td> <td>"</td> <td>"</td> <td>V-675</td> <td>122</td> <td>1/2</td> <td>2900</td> <td>1\"/&gt;  <tr> <td>U-41</td> <td>"</td> <td>"</td> <td>V-675</td> <td>122</td> <td>1/2</td> <td>2900</td> <td>1\"/&gt;  <tr> <td>U-42</td> <td>"</td> <td>"</td> <td>V-675</td> <td>122</td> <td>1/2</td> <td>2900</td> <td>1\"/&gt;  <tr> <td>U-43</td> <td>"</td> <td>"</td> <td>V-675</td> <td>122</td> <td>1/2</td> <td>2900</td> <td>1\"/&gt;  <tr> <td>U-44</td> <td>"</td> <td>"</td> <td>V-675</td> <td>122</td> <td>1/2</td> <td>2900</td> <td>1\"/&gt;  <tr> <td>U-45</td> <td>"</td> <td>"</td> <td>V-675</td> <td>122</td> <td>1/2</td> <td>2900</td> <td>1\"/&gt;  <tr> <td>U-46</td> <td>"</td> <td>"</td> <td>V-675</td> <td>122</td> <td>1/2</td> <td>2900</td> <td>1\"/&gt;  <tr> <td>U-47</td> <td>"</td> <td>"</td> <td>V-675</td> <td>122</td> <td>1/2</td> <td>2900</td> <td>1\"/&gt;  <tr> <td>U-48</td> <td>"</td> <td>"</td> <td>V-675</td> <td>122</td> <td>1/2</td> <td>2900</td> <td>1\"/&gt;  <tr> <td>U-49</td> <td>"</td> <td>"</td> <td>V-675</td> <td>122</td> <td>1/2</td> <td>2900</td> <td>1\"/&gt;  <tr> <td>U-50</td> <td>"</td> <td>"</td> <td>V-675</td> <td>122</td> <td>1/2</td> <td>2900</td> <td>1\"/&gt;  </td></tr></td></tr></td></tr></td></tr></td></tr></td></tr></td></tr></td></tr></td></tr></td></tr></td></tr></td></tr></td></tr></td></tr></td></tr></td></tr></td></tr></td></tr></td></tr></td></tr></td></tr></td></tr></td></tr></td></tr></td></tr></td></tr></td></tr></td></tr></td></tr>   | U-22 | " | " | V-675 | 122 | 1/2 | 2900 | 1\"/> <tr> <td>U-23</td> <td>"</td> <td>"</td> <td>V-675</td> <td>122</td> <td>1/2</td> <td>2900</td> <td>1\"/&gt;  <tr> <td>U-24</td> <td>"</td> <td>"</td> <td>V-675</td> <td>122</td> <td>1/2</td> <td>2900</td> <td>1\"/&gt;  <tr> <td>U-25</td> <td>"</td> <td>"</td> <td>V-675</td> <td>122</td> <td>1/2</td> <td>2900</td> <td>1\"/&gt;  <tr> <td>U-26</td> <td>"</td> <td>"</td> <td>V-675</td> <td>122</td> <td>1/2</td> <td>2900</td> <td>1\"/&gt;  <tr> <td>U-27</td> <td>"</td> <td>"</td> <td>V-675</td> <td>122</td> <td>1/2</td> <td>2900</td> <td>1\"/&gt;  <tr> <td>U-28</td> <td>"</td> <td>"</td> <td>V-675</td> <td>122</td> <td>1/2</td> <td>2900</td> <td>1\"/&gt;  <tr> <td>U-29</td> <td>"</td> <td>"</td> <td>V-675</td> <td>122</td> <td>1/2</td> <td>2900</td> <td>1\"/&gt;  <tr> <td>U-30</td> <td>"</td> <td>"</td> <td>V-675</td> <td>122</td> <td>1/2</td> <td>2900</td> <td>1\"/&gt;  <tr> <td>U-31</td> <td>"</td> <td>"</td> <td>V-675</td> <td>122</td> <td>1/2</td> <td>2900</td> <td>1\"/&gt;  <tr> <td>U-32</td> <td>"</td> <td>"</td> <td>V-675</td> <td>122</td> <td>1/2</td> <td>2900</td> <td>1\"/&gt;  <tr> <td>U-33</td> <td>"</td> <td>"</td> <td>V-675</td> <td>122</td> <td>1/2</td> <td>2900</td> <td>1\"/&gt;  <tr> <td>U-34</td> <td>"</td> <td>"</td> <td>V-675</td> <td>122</td> <td>1/2</td> <td>2900</td> <td>1\"/&gt;  <tr> <td>U-35</td> <td>"</td> <td>"</td> <td>V-675</td> <td>122</td> <td>1/2</td> <td>2900</td> <td>1\"/&gt;  <tr> <td>U-36</td> <td>"</td> <td>"</td> <td>V-675</td> <td>122</td> <td>1/2</td> <td>2900</td> <td>1\"/&gt;  <tr> <td>U-37</td> <td>"</td> <td>"</td> <td>V-675</td> <td>122</td> <td>1/2</td> <td>2900</td> <td>1\"/&gt;  <tr> <td>U-38</td> <td>"</td> <td>"</td> <td>V-675</td> <td>122</td> <td>1/2</td> <td>2900</td> <td>1\"/&gt;  <tr> <td>U-39</td> <td>"</td> <td>"</td> <td>V-675</td> <td>122</td> <td>1/2</td> <td>2900</td> <td>1\"/&gt;  <tr> <td>U-40</td> <td>"</td> <td>"</td> <td>V-675</td> <td>122</td> <td>1/2</td> <td>2900</td> <td>1\"/&gt;  <tr> <td>U-41</td> <td>"</td> <td>"</td> <td>V-675</td> <td>122</td> <td>1/2</td> <td>2900</td> <td>1\"/&gt;  <tr> <td>U-42</td> <td>"</td> <td>"</td> <td>V-675</td> <td>122</td> <td>1/2</td> <td>2900</td> <td>1\"/&gt;  <tr> <td>U-43</td> <td>"</td> <td>"</td> <td>V-675</td> <td>122</td> <td>1/2</td> <td>2900</td> <td>1\"/&gt;  <tr> <td>U-44</td> <td>"</td> <td>"</td> <td>V-675</td> <td>122</td> <td>1/2</td> <td>2900</td> <td>1\"/&gt;  <tr> <td>U-45</td> <td>"</td> <td>"</td> <td>V-675</td> <td>122</td> <td>1/2</td> <td>2900</td> <td>1\"/&gt;  <tr> <td>U-46</td> <td>"</td> <td>"</td> <td>V-675</td> <td>122</td> <td>1/2</td> <td>2900</td> <td>1\"/&gt;  <tr> <td>U-47</td> <td>"</td> <td>"</td> <td>V-675</td> <td>122</td> <td>1/2</td> <td>2900</td> <td>1\"/&gt;  <tr> <td>U-48</td> <td>"</td> <td>"</td> <td>V-675</td> <td>122</td> <td>1/2</td> <td>2900</td> <td>1\"/&gt;  <tr> <td>U-49</td> <td>"</td> <td>"</td> <td>V-675</td> <td>122</td> <td>1/2</td> <td>2900</td> <td>1\"/&gt;  <tr> <td>U-50</td> <td>"</td> <td>"</td> <td>V-675</td> <td>122</td> <td>1/2</td> <td>2900</td> <td>1\"/&gt;  </td></tr></td></tr></td></tr></td></tr></td></tr></td></tr></td></tr></td></tr></td></tr></td></tr></td></tr></td></tr></td></tr></td></tr></td></tr></td></tr></td></tr></td></tr></td></tr></td></tr></td></tr></td></tr></td></tr></td></tr></td></tr></td></tr></td></tr></td></tr>  | U-23 | " | " | V-675 | 122 | 1/2 | 2900 | 1\"/> <tr> <td>U-24</td> <td>"</td> <td>"</td> <td>V-675</td> <td>122</td> <td>1/2</td> <td>2900</td> <td>1\"/&gt;  <tr> <td>U-25</td> <td>"</td> <td>"</td> <td>V-675</td> <td>122</td> <td>1/2</td> <td>2900</td> <td>1\"/&gt;  <tr> <td>U-26</td> <td>"</td> <td>"</td> <td>V-675</td> <td>122</td> <td>1/2</td> <td>2900</td> <td>1\"/&gt;  <tr> <td>U-27</td> <td>"</td> <td>"</td> <td>V-675</td> <td>122</td> <td>1/2</td> <td>2900</td> <td>1\"/&gt;  <tr> <td>U-28</td> <td>"</td> <td>"</td> <td>V-675</td> <td>122</td> <td>1/2</td> <td>2900</td> <td>1\"/&gt;  <tr> <td>U-29</td> <td>"</td> <td>"</td> <td>V-675</td> <td>122</td> <td>1/2</td> <td>2900</td> <td>1\"/&gt;  <tr> <td>U-30</td> <td>"</td> <td>"</td> <td>V-675</td> <td>122</td> <td>1/2</td> <td>2900</td> <td>1\"/&gt;  <tr> <td>U-31</td> <td>"</td> <td>"</td> <td>V-675</td> <td>122</td> <td>1/2</td> <td>2900</td> <td>1\"/&gt;  <tr> <td>U-32</td> <td>"</td> <td>"</td> <td>V-675</td> <td>122</td> <td>1/2</td> <td>2900</td> <td>1\"/&gt;  <tr> <td>U-33</td> <td>"</td> <td>"</td> <td>V-675</td> <td>122</td> <td>1/2</td> <td>2900</td> <td>1\"/&gt;  <tr> <td>U-34</td> <td>"</td> <td>"</td> <td>V-675</td> <td>122</td> <td>1/2</td> <td>2900</td> <td>1\"/&gt;  <tr> <td>U-35</td> <td>"</td> <td>"</td> <td>V-675</td> <td>122</td> <td>1/2</td>
<td>2900</td> <td>1\"/&gt;  <tr> <td>U-36</td> <td>"</td> <td>"</td> <td>V-675</td> <td>122</td> <td>1/2</td> <td>2900</td> <td>1\"/&gt;  <tr> <td>U-37</td> <td>"</td> <td>"</td> <td>V-675</td> <td>122</td> <td>1/2</td> <td>2900</td> <td>1\"/&gt;  <tr> <td>U-38</td> <td>"</td> <td>"</td> <td>V-675</td> <td>122</td> <td>1/2</td> <td>2900</td> <td>1\"/&gt;  <tr> <td>U-39</td> <td>"</td> <td>"</td> <td>V-675</td> <td>122</td> <td>1/2</td> <td>2900</td> <td>1\"/&gt;  <tr> <td>U-40</td> <td>"</td> <td>"</td> <td>V-675</td> <td>122</td> <td>1/2</td> <td>2900</td> <td>1\"/&gt;  <tr> <td>U-41</td> <td>"</td> <td>"</td> <td>V-675</td> <td>122</td> <td>1/2</td> <td>2900</td> <td>1\"/&gt;  <tr> <td>U-42</td> <td>"</td> <td>"</td> <td>V-675</td> <td>122</td> <td>1/2</td> <td>2900</td> <td>1\"/&gt;  <tr> <td>U-43</td> <td>"</td> <td>"</td> <td>V-675</td> <td>122</td> <td>1/2</td> <td>2900</td> <td>1\"/&gt;  <tr> <td>U-44</td> <td>"</td> <td>"</td> <td>V-675</td> <td>122</td> <td>1/2</td> <td>2900</td> <td>1\"/&gt;  <tr> <td>U-45</td> <td>"</td> <td>"</td> <td>V-675</td> <td>122</td> <td>1/2</td> <td>2900</td> <td>1\"/&gt;  <tr> <td>U-46</td> <td>"</td> <td>"</td> <td>V-675</td> <td>122</td> <td>1/2</td> <td>2900</td> <td>1\"/&gt;  <tr> <td>U-47</td> <td>"</td> <td>"</td> <td>V-675</td> <td>122</td> <td>1/2</td> <td>2900</td> <td>1\"/&gt;  <tr> <td>U-48</td> <td>"</td> <td>"</td> <td>V-675</td> <td>122</td> <td>1/2</td> <td>2900</td> <td>1\"/&gt;  <tr> <td>U-49</td> <td>"</td> <td>"</td> <td>V-675</td> <td>122</td> <td>1/2</td> <td>2900</td> <td>1\"/&gt;  <tr> <td>U-50</td> <td>"</td> <td>"</td> <td>V-675</td> <td>122</td> <td>1/2</td> <td>2900</td> <td>1\"/&gt;  </td></tr></td></tr></td></tr></td></tr></td></tr></td></tr></td></tr></td></tr></td></tr></td></tr></td></tr></td></tr></td></tr></td></tr></td></tr></td></tr></td></tr></td></tr></td></tr></td></tr></td></tr></td></tr></td></tr></td></tr></td></tr></td></tr></td></tr>   | U-24 | " | " | V-675 | 122 | 1/2 | 2900 | 1\"/> <tr> <td>U-25</td> <td>"</td> <td>"</td> <td>V-675</td> <td>122</td> <td>1/2</td> <td>2900</td> <td>1\"/&gt;  <tr> <td>U-26</td> <td>"</td> <td>"</td> <td>V-675</td> <td>122</td> <td>1/2</td> <td>2900</td> <td>1\"/&gt;  <tr> <td>U-27</td> <td>"</td> <td>"</td> <td>V-675</td> <td>122</td> <td>1/2</td> <td>2900</td> <td>1\"/&gt;  <tr> <td>U-28</td> <td>"</td> <td>"</td> <td>V-675</td> <td>122</td> <td>1/2</td> <td>2900</td> <td>1\"/&gt;  <tr> <td>U-29</td> <td>"</td> <td>"</td> <td>V-675</td> <td>122</td> <td>1/2</td> <td>2900</td> <td>1\"/&gt;  <tr> <td>U-30</td> <td>"</td> <td>"</td> <td>V-675</td> <td>122</td> <td>1/2</td> <td>2900</td> <td>1\"/&gt;  <tr> <td>U-31</td> <td>"</td> <td>"</td> <td>V-675</td> <td>122</td> <td>1/2</td> <td>2900</td> <td>1\"/&gt;  <tr> <td>U-32</td> <td>"</td> <td>"</td> <td>V-675</td> <td>122</td> <td>1/2</td> <td>2900</td> <td>1\"/&gt;  <tr> <td>U-33</td> <td>"</td> <td>"</td> <td>V-675</td> <td>122</td> <td>1/2</td> <td>2900</td> <td>1\"/&gt;  <tr> <td>U-34</td> <td>"</td> <td>"</td> <td>V-675</td> <td>122</td> <td>1/2</td> <td>2900</td> <td>1\"/&gt;  <tr> <td>U-35</td> <td>"</td> <td>"</td> <td>V-675</td> <td>122</td> <td>1/2</td> <td>2900</td> <td>1\"/&gt;  <tr> <td>U-36</td> <td>"</td> <td>"</td> <td>V-675</td> <td>122</td> <td>1/2</td> <td>2900</td> <td>1\"/&gt;  <tr> <td>U-37</td> <td>"</td> <td>"</td> <td>V-675</td> <td>122</td> <td>1/2</td> <td>2900</td> <td>1\"/&gt;  <tr> <td>U-38</td> <td>"</td> <td>"</td> <td>V-675</td> <td>122</td> <td>1/2</td> <td>2900</td> <td>1\"/&gt;  <tr> <td>U-39</td> <td>"</td> <td>"</td> <td>V-675</td> <td>122</td> <td>1/2</td> <td>2900</td> <td>1\"/&gt;  <tr> <td>U-40</td> <td>"</td> <td>"</td> <td>V-675</td> <td>122</td> <td>1/2</td> <td>2900</td> <td>1\"/&gt;  <tr> <td>U-41</td> <td>"</td> <td>"</td> <td>V-675</td> <td>122</td> <td>1/2</td> <td>2900</td> <td>1\"/&gt;  <tr> <td>U-42</td> <td>"</td> <td>"</td> <td>V-675</td> <td>122</td> <td>1/2</td> <td>2900</td> <td>1\"/&gt;  <tr> <td>U-43</td> <td>"</td> <td>"</td> <td>V-675</td> <td>122</td> <td>1/2</td> <td>2900</td> <td>1\"/&gt;  <tr> <td>U-44</td> <td>"</td> <td>"</td> <td>V-675</td> <td>122</td> <td>1/2</td> <td>2900</td> <td>1\"/&gt;  <tr> <td>U-45</td> <td>"</td> <td>"</td> <td>V-675</td> <td>122</td> <td>1/2</td> <td>2900</td> <td>1\"/&gt;  <tr> <td>U-46</td> <td>"</td> <td>"</td> <td>V-675</td> <td>122</td> <td>1/2</td> <td>2900</td> <td>1\"/&gt;  <tr> <td>U-47</td> <td>"</td> <td>"</td> <td>V-675</td> <td>122</td> <td>1/2</td> <td>2900</td> <td>1\"/&gt;  <tr> <td>U-48</td> <td>"</td> <td>"</td> <td>V-675</td> <td>122</td> <td>1/2</td> <td>2900</td> <td>1\"/&gt;  <tr> <td>U-49</td> <td>"</td> <td>"</td> <td>V-675</td> <td>122</td> <td>1/2</td> <td>2900</td> <td>1\"/&gt;  <tr> <td>U-50</td> <td>"</td> <td>"</td> <td>V-675</td> <td>122</td> <td>1/2</td> <td>2900</td> <td>1\"/&gt;  </td></tr></td></tr></td></tr></td></tr></td></tr></td></tr></td></tr></td></tr></td></tr></td></tr></td></tr></td></tr></td></tr></td></tr></td></tr></td></tr></td></tr></td></tr></td></tr></td></tr></td></tr></td></tr></td></tr></td></tr></td></tr></td></tr>   | U-25 | " | " | V-675 | 122 | 1/2 | 2900 | 1\"/> <tr> <td>U-26</td> <td>"</td> <td>"</td> <td>V-675</td> <td>122</td> <td>1/2</td> <td>2900</td> <td>1\"/&gt;  <tr> <td>U-27</td> <td>"</td> <td>"</td> <td>V-675</td> <td>122</td> <td>1/2</td> <td>2900</td> <td>1\"/&gt;  <tr> <td>U-28</td> <td>"</td> <td>"</td> <td>V-675</td> <td>122</td> <td>1/2</td> <td>2900</td> <td>1\"/&gt;  <tr> <td>U-29</td> <td>"</td> <td>"</td> <td>V-675</td> <td>122</td> <td>1/2</td> <td>2900</td> <td>1\"/&gt;  <tr> <td>U-30</td> <td>"</td> <td>"</td> <td>V-675</td> <td>122</td> <td>1/2</td> <td>2900</td> <td>1\"/&gt;  <tr> <td>U-31</td> <td>"</td> <td>"</td> <td>V-675</td> <td>122</td> <td>1/2</td> <td>2900</td> <td>1\"/&gt;  <tr> <td>U-32</td> <td>"</td> <td>"</td> <td>V-675</td> <td>122</td> <td>1/2</td> <td>2900</td> <td>1\"/&gt;  <tr> <td>U-33</td> <td>"</td> <td>"</td> <td>V-675</td> <td>122</td> <td>1/2</td> <td>2900</td> <td>1\"/&gt;  <tr> <td>U-34</td> <td>"</td> <td>"</td> <td>V-675</td> <td>122</td> <td>1/2</td> <td>2900</td> <td>1\"/&gt;  <tr> <td>U-35</td> <td>"</td> <td>"</td> <td>V-675</td> <td>122</td> <td>1/2</td> <td>2900</td> <td>1\"/&gt;  <tr> <td>U-36</td> <td>"</td> <td>"</td> <td>V-675</td> <td>122</td> <td>1/2</td> <td>2900</td> <td>1\"/&gt;  <tr> <td>U-37</td> <td>"</td> <td>"</td> <td>V-675</td> <td>122</td> <td>1/2</td> <td>2900</td> <td>1\"/&gt;  <tr> <td>U-38</td> <td>"</td> <td>"</td> <td>V-675</td> <td>122</td> <td>1/2</td> <td>2900</td> <td>1\"/&gt;  <tr> <td>U-39</td> <td>"</td>
<td>"</td> <td>V-675</td> <td>122</td> <td>1/2</td> <td>2900</td> <td>1\"/&gt;  <tr> <td>U-40</td> <td>"</td> <td>"</td> <td>V-675</td> <td>122</td> <td>1/2</td> <td>2900</td> <td>1\"/&gt;  <tr> <td>U-41</td> <td>"</td> <td>"</td> <td>V-675</td> <td>122</td> <td>1/2</td> <td>2900</td> <td>1\"/&gt;  <tr> <td>U-42</td> <td>"</td> <td>"</td> <td>V-675</td> <td>122</td> <td>1/2</td> <td>2900</td> <td>1\"/&gt;  <tr> <td>U-43</td> <td>"</td> <td>"</td> <td>V-675</td> <td>122</td> <td>1/2</td> <td>2900</td> <td>1\"/&gt;  <tr> <td>U-44</td> <td>"</td> <td>"</td> <td>V-675</td> <td>122</td> <td>1/2</td> <td>2900</td> <td>1\"/&gt;  <tr> <td>U-45</td> <td>"</td> <td>"</td> <td>V-675</td> <td>122</td> <td>1/2</td> <td>2900</td> <td>1\"/&gt;  <tr> <td>U-46</td> <td>"</td> <td>"</td> <td>V-675</td> <td>122</td> <td>1/2</td> <td>2900</td> <td>1\"/&gt;  <tr> <td>U-47</td> <td>"</td> <td>"</td> <td>V-675</td> <td>122</td> <td>1/2</td> <td>2900</td> <td>1\"/&gt;  <tr> <td>U-48</td> <td>"</td> <td>"</td> <td>V-675</td> <td>122</td> <td>1/2</td> <td>2900</td> <td>1\"/&gt;  <tr> <td>U-49</td> <td>"</td> <td>"</td> <td>V-675</td> <td>122</td> <td>1/2</td> <td>2900</td> <td>1\"/&gt;  <tr> <td>U-50</td> <td>"</td> <td>"</td> <td>V-675</td> <td>122</td> <td>1/2</td> <td>2900</td> <td>1\"/&gt;  </td></tr></td></tr></td></tr></td></tr></td></tr></td></tr></td></tr></td></tr></td></tr></td></tr></td></tr></td></tr></td></tr></td></tr></td></tr></td></tr></td></tr></td></tr></td></tr></td></tr></td></tr></td></tr></td></tr></td></tr></td></tr>   | U-26 | " | " | V-675 | 122 | 1/2 | 2900 | 1\"/> <tr> <td>U-27</td> <td>"</td> <td>"</td> <td>V-675</td> <td>122</td> <td>1/2</td> <td>2900</td> <td>1\"/&gt;  <tr> <td>U-28</td> <td>"</td> <td>"</td> <td>V-675</td> <td>122</td> <td>1/2</td> <td>2900</td> <td>1\"/&gt;  <tr> <td>U-29</td> <td>"</td> <td>"</td> <td>V-675</td> <td>122</td> <td>1/2</td> <td>2900</td> <td>1\"/&gt;  <tr> <td>U-30</td> <td>"</td> <td>"</td> <td>V-675</td> <td>122</td> <td>1/2</td> <td>2900</td> <td>1\"/&gt;  <tr> <td>U-31</td> <td>"</td> <td>"</td> <td>V-675</td> <td>122</td> <td>1/2</td> <td>2900</td> <td>1\"/&gt;  <tr> <td>U-32</td> <td>"</td> <td>"</td> <td>V-675</td> <td>122</td> <td>1/2</td> <td>2900</td> <td>1\"/&gt;  <tr> <td>U-33</td> <td>"</td> <td>"</td> <td>V-675</td> <td>122</td> <td>1/2</td> <td>2900</td> <td>1\"/&gt;  <tr> <td>U-34</td> <td>"</td> <td>"</td> <td>V-675</td> <td>122</td> <td>1/2</td> <td>2900</td> <td>1\"/&gt;  <tr> <td>U-35</td> <td>"</td> <td>"</td> <td>V-675</td> <td>122</td> <td>1/2</td> <td>2900</td> <td>1\"/&gt;  <tr> <td>U-36</td> <td>"</td> <td>"</td> <td>V-675</td> <td>122</td> <td>1/2</td> <td>2900</td> <td>1\"/&gt;  <tr> <td>U-37</td> <td>"</td> <td>"</td> <td>V-675</td> <td>122</td> <td>1/2</td> <td>2900</td> <td>1\"/&gt;  <tr> <td>U-38</td> <td>"</td> <td>"</td> <td>V-675</td> <td>122</td> <td>1/2</td> <td>2900</td> <td>1\"/&gt;  <tr> <td>U-39</td> <td>"</td> <td>"</td> <td>V-675</td> <td>122</td> <td>1/2</td> <td>2900</td> <td>1\"/&gt;  <tr> <td>U-40</td> <td>"</td> <td>"</td> <td>V-675</td> <td>122</td> <td>1/2</td> <td>2900</td> <td>1\"/&gt;  <tr> <td>U-41</td> <td>"</td> <td>"</td> <td>V-675</td> <td>122</td> <td>1/2</td> <td>2900</td> <td>1\"/&gt;  <tr> <td>U-42</td> <td>"</td> <td>"</td> <td>V-675</td> <td>122</td> <td>1/2</td> <td>2900</td> <td>1\"/&gt;  <tr> <td>U-43</td> <td>"</td> <td>"</td> <td>V-675</td> <td>122</td> <td>1/2</td> <td>2900</td> <td>1\"/&gt;  <tr> <td>U-44</td> <td>"</td> <td>"</td> <td>V-675</td> <td>122</td> <td>1/2</td> <td>2900</td> <td>1\"/&gt;  <tr> <td>U-45</td> <td>"</td> <td>"</td> <td>V-675</td> <td>122</td> <td>1/2</td> <td>2900</td> <td>1\"/&gt;  <tr> <td>U-46</td> <td>"</td> <td>"</td> <td>V-675</td> <td>122</td> <td>1/2</td> <td>2900</td> <td>1\"/&gt;  <tr> <td>U-47</td> <td>"</td> <td>"</td> <td>V-675</td> <td>122</td> <td>1/2</td> <td>2900</td> <td>1\"/&gt;  <tr> <td>U-48</td> <td>"</td> <td>"</td> <td>V-675</td> <td>122</td> <td>1/2</td> <td>2900</td> <td>1\"/&gt;  <tr> <td>U-49</td> <td>"</td> <td>"</td> <td>V-675</td> <td>122</td> <td>1/2</td> <td>2900</td> <td>1\"/&gt;  <tr> <td>U-50</td> <td>"</td> <td>"</td> <td>V-675</td> <td>122</td> <td>1/2</td> <td>2900</td> <td>1\"/&gt;  </td></tr></td></tr></td></tr></td></tr></td></tr></td></tr></td></tr></td></tr></td></tr></td></tr></td></tr></td></tr></td></tr></td></tr></td></tr></td></tr></td></tr></td></tr></td></tr></td></tr></td></tr></td></tr></td></tr></td></tr>   | U-27 | " | " | V-675 | 122 | 1/2 | 2900 | 1\"/> <tr> <td>U-28</td> <td>"</td> <td>"</td> <td>V-675</td> <td>122</td> <td>1/2</td> <td>2900</td> <td>1\"/&gt;  <tr> <td>U-29</td> <td>"</td> <td>"</td> <td>V-675</td> <td>122</td> <td>1/2</td> <td>2900</td> <td>1\"/&gt;  <tr> <td>U-30</td> <td>"</td> <td>"</td> <td>V-675</td> <td>122</td> <td>1/2</td> <td>2900</td> <td>1\"/&gt;  <tr> <td>U-31</td> <td>"</td> <td>"</td> <td>V-675</td> <td>122</td> <td>1/2</td> <td>2900</td> <td>1\"/&gt;  <tr> <td>U-32</td> <td>"</td> <td>"</td> <td>V-675</td> <td>122</td> <td>1/2</td> <td>2900</td> <td>1\"/&gt;  <tr> <td>U-33</td> <td>"</td> <td>"</td> <td>V-675</td> <td>122</td> <td>1/2</td> <td>2900</td> <td>1\"/&gt;  <tr> <td>U-34</td> <td>"</td> <td>"</td> <td>V-675</td> <td>122</td> <td>1/2</td> <td>2900</td> <td>1\"/&gt;  <tr> <td>U-35</td> <td>"</td> <td>"</td> <td>V-675</td> <td>122</td> <td>1/2</td> <td>2900</td> <td>1\"/&gt;  <tr> <td>U-36</td> <td>"</td> <td>"</td> <td>V-675</td> <td>122</td> <td>1/2</td> <td>2900</td> <td>1\"/&gt;  <tr> <td>U-37</td> <td>"</td> <td>"</td> <td>V-675</td> <td>122</td> <td>1/2</td> <td>2900</td> <td>1\"/&gt;  <tr> <td>U-38</td> <td>"</td> <td>"</td> <td>V-675</td> <td>122</td> <td>1/2</td> <td>2900</td> <td>1\"/&gt;  <tr> <td>U-39</td> <td>"</td> <td>"</td> <td>V-675</td> <td>122</td> <td>1/2</td> <td>2900</td> <td>1\"/&gt;  <tr> <td>U-40</td> <td>"</td> <td>"</td> <td>V-675</td> <td>122</td> <td>1/2</td> <td>2900</td> <td>1\"/&gt;  <tr> <td>U-41</td> <td>"</td> <td>"</td> <td>V-675</td> <td>122</td> <td>1/2</td> <td>2900</td> <td>1\"/&gt;  <tr> <td>U-42</td> <td>"</td> <td>"</td> <td>V-675</td> <td>122</td> <td>1/2</td> <td>2900</td> <td>1\"/&gt;  <tr> <td>U-43</td> <td>"</td> <td>"</td> <td>V-675</td> <td>122</td> <td>1/2</td> <td>2900</td> <td>1\"/&gt;  <tr> <td>U-44</td> <td>"</td> <td>"</td> <td>V-675</td> <td>122</td> <td>1/2</td> <td>2900</td> <td>1\"/&gt;  <tr> <td>U-45</td> <td>"</td> <td>"</td> <td>V-675</td> <td>122</td> <td>1/2</td> <td>2900</td> <td>1\"/&gt;  <tr> <td>U-46</td> <td>"</td> <td>"</td> <td>V-675</td> <td>122</td> <td>1/2</td> <td>2900</td> <td>1\"/&gt;  <tr> <td>U-47</td>
<td>"</td> <td>"</td> <td>V-675</td> <td>122</td> <td>1/2</td> <td>2900</td> <td>1\"/&gt;  <tr> <td>U-48</td> <td>"</td> <td>"</td> <td>V-675</td> <td>122</td> <td>1/2</td> <td>2900</td> <td>1\"/&gt;  <tr> <td>U-49</td> <td>"</td> <td>"</td> <td>V-675</td> <td>122</td> <td>1/2</td> <td>2900</td> <td>1\"/&gt;  <tr> <td>U-50</td> <td>"</td> <td>"</td> <td>V-675</td> <td>122</td> <td>1/2</td> <td>2900</td> <td>1\"/&gt;  </td></tr></td></tr></td></tr></td></tr></td></tr></td></tr></td></tr></td></tr></td></tr></td></tr></td></tr></td></tr></td></tr></td></tr></td></tr></td></tr></td></tr></td></tr></td></tr></td></tr></td></tr></td></tr></td></tr>   | U-28 | " | " | V-675 | 122 | 1/2 | 2900 | 1\"/> <tr> <td>U-29</td> <td>"</td> <td>"</td> <td>V-675</td> <td>122</td> <td>1/2</td> <td>2900</td> <td>1\"/&gt;  <tr> <td>U-30</td> <td>"</td> <td>"</td> <td>V-675</td> <td>122</td> <td>1/2</td> <td>2900</td> <td>1\"/&gt;  <tr> <td>U-31</td> <td>"</td> <td>"</td> <td>V-675</td> <td>122</td> <td>1/2</td> <td>2900</td> <td>1\"/&gt;  <tr> <td>U-32</td> <td>"</td> <td>"</td> <td>V-675</td> <td>122</td> <td>1/2</td> <td>2900</td> <td>1\"/&gt;  <tr> <td>U-33</td> <td>"</td> <td>"</td> <td>V-675</td> <td>122</td> <td>1/2</td> <td>2900</td> <td>1\"/&gt;  <tr> <td>U-34</td> <td>"</td> <td>"</td> <td>V-675</td> <td>122</td> <td>1/2</td> <td>2900</td> <td>1\"/&gt;  <tr> <td>U-35</td> <td>"</td> <td>"</td> <td>V-675</td> <td>122</td> <td>1/2</td> <td>2900</td> <td>1\"/&gt;  <tr> <td>U-36</td> <td>"</td> <td>"</td> <td>V-675</td> <td>122</td> <td>1/2</td> <td>2900</td> <td>1\"/&gt;  <tr> <td>U-37</td> <td>"</td> <td>"</td> <td>V-675</td> <td>122</td> <td>1/2</td> <td>2900</td> <td>1\"/&gt;  <tr> <td>U-38</td> <td>"</td> <td>"</td> <td>V-675</td> <td>122</td> <td>1/2</td> <td>2900</td> <td>1\"/&gt;  <tr> <td>U-39</td> <td>"</td> <td>"</td> <td>V-675</td> <td>122</td> <td>1/2</td> <td>2900</td> <td>1\"/&gt;  <tr> <td>U-40</td> <td>"</td> <td>"</td> <td>V-675</td> <td>122</td> <td>1/2</td> <td>2900</td> <td>1\"/&gt;  <tr> <td>U-41</td> <td>"</td> <td>"</td> <td>V-675</td> <td>122</td> <td>1/2</td> <td>2900</td> <td>1\"/&gt;  <tr> <td>U-42</td> <td>"</td> <td>"</td> <td>V-675</td> <td>122</td> <td>1/2</td> <td>2900</td> <td>1\"/&gt;  <tr> <td>U-43</td> <td>"</td> <td>"</td> <td>V-675</td> <td>122</td> <td>1/2</td> <td>2900</td> <td>1\"/&gt;  <tr> <td>U-44</td> <td>"</td> <td>"</td> <td>V-675</td> <td>122</td> <td>1/2</td> <td>2900</td> <td>1\"/&gt;  <tr> <td>U-45</td> <td>"</td> <td>"</td> <td>V-675</td> <td>122</td> <td>1/2</td> <td>2900</td> <td>1\"/&gt;  <tr> <td>U-46</td> <td>"</td> <td>"</td> <td>V-675</td> <td>122</td> <td>1/2</td> <td>2900</td> <td>1\"/&gt;  <tr> <td>U-47</td> <td>"</td> <td>"</td> <td>V-675</td> <td>122</td> <td>1/2</td> <td>2900</td> <td>1\"/&gt;  <tr> <td>U-48</td> <td>"</td> <td>"</td> <td>V-675</td> <td>122</td> <td>1/2</td> <td>2900</td> <td>1\"/&gt;  <tr> <td>U-49</td> <td>"</td> <td>"</td> <td>V-675</td> <td>122</td> <td>1/2</td> <td>2900</td> <td>1\"/&gt;  <tr> <td>U-50</td> <td>"</td> <td>"</td> <td>V-675</td> <td>122</td> <td>1/2</td> <td>2900</td> <td>1\"/&gt;  </td></tr></td></tr></td></tr></td></tr></td></tr></td></tr></td></tr></td></tr></td></tr></td></tr></td></tr></td></tr></td></tr></td></tr></td></tr></td></tr></td></tr></td></tr></td></tr></td></tr></td></tr></td></tr>   | U-29 | " | " | V-675 | 122 | 1/2 | 2900 | 1\"/> <tr> <td>U-30</td> <td>"</td> <td>"</td> <td>V-675</td> <td>122</td> <td>1/2</td> <td>2900</td> <td>1\"/&gt;  <tr> <td>U-31</td> <td>"</td> <td>"</td> <td>V-675</td> <td>122</td> <td>1/2</td> <td>2900</td> <td>1\"/&gt;  <tr> <td>U-32</td> <td>"</td> <td>"</td> <td>V-675</td> <td>122</td> <td>1/2</td> <td>2900</td> <td>1\"/&gt;  <tr> <td>U-33</td> <td>"</td> <td>"</td> <td>V-675</td> <td>122</td> <td>1/2</td> <td>2900</td> <td>1\"/&gt;  <tr> <td>U-34</td> <td>"</td> <td>"</td> <td>V-675</td> <td>122</td> <td>1/2</td> <td>2900</td> <td>1\"/&gt;  <tr> <td>U-35</td> <td>"</td> <td>"</td> <td>V-675</td> <td>122</td> <td>1/2</td> <td>2900</td> <td>1\"/&gt;  <tr> <td>U-36</td> <td>"</td> <td>"</td> <td>V-675</td> <td>122</td> <td>1/2</td> <td>2900</td> <td>1\"/&gt;  <tr> <td>U-37</td> <td>"</td> <td>"</td> <td>V-675</td> <td>122</td> <td>1/2</td> <td>2900</td> <td>1\"/&gt;  <tr> <td>U-38</td> <td>"</td> <td>"</td> <td>V-675</td> <td>122</td> <td>1/2</td> <td>2900</td> <td>1\"/&gt;  <tr> <td>U-39</td> <td>"</td> <td>"</td> <td>V-675</td> <td>122</td> <td>1/2</td> <td>2900</td> <td>1\"/&gt;  <tr> <td>U-40</td> <td>"</td> <td>"</td> <td>V-675</td> <td>122</td> <td>1/2</td> <td>2900</td> <td>1\"/&gt;  <tr> <td>U-41</td> <td>"</td> <td>"</td> <td>V-675</td> <td>122</td> <td>1/2</td> <td>2900</td> <td>1\"/&gt;  <tr> <td>U-42</td> <td>"</td> <td>"</td> <td>V-675</td> <td>122</td> <td>1/2</td> <td>2900</td> <td>1\"/&gt;  <tr> <td>U-43</td> <td>"</td> <td>"</td> <td>V-675</td> <td>122</td> <td>1/2</td> <td>2900</td> <td>1\"/&gt;  <tr> <td>U-44</td> <td>"</td> <td>"</td> <td>V-675</td> <td>122</td> <td>1/2</td> <td>2900</td> <td>1\"/&gt;  <tr> <td>U-45</td> <td>"</td> <td>"</td> <td>V-675</td> <td>122</td> <td>1/2</td> <td>2900</td> <td>1\"/&gt;  <tr> <td>U-46</td> <td>"</td> <td>"</td> <td>V-675</td> <td>122</td> <td>1/2</td> <td>2900</td> <td>1\"/&gt;  <tr> <td>U-47</td> <td>"</td> <td>"</td> <td>V-675</td> <td>122</td> <td>1/2</td> <td>2900</td> <td>1\"/&gt;  <tr> <td>U-48</td> <td>"</td> <td>"</td> <td>V-675</td> <td>122</td> <td>1/2</td> <td>2900</td> <td>1\"/&gt;  <tr> <td>U-49</td> <td>"</td> <td>"</td> <td>V-675</td> <td>122</td> <td>1/2</td> <td>2900</td> <td>1\"/&gt;  <tr> <td>U-50</td> <td>"</td> <td>"</td> <td>V-675</td> <td>122</td> <td>1/2</td> <td>2900</td> <td>1\"/&gt;  </td></tr></td></tr></td></tr></td></tr></td></tr></td></tr></td></tr></td></tr></td></tr></td></tr></td></tr></td></tr></td></tr></td></tr></td></tr></td></tr></td></tr></td></tr></td></tr></td></tr></td></tr>  
  | U-30 | " | " | V-675 | 122 | 1/2 | 2900 | 1\"/> <tr> <td>U-31</td> <td>"</td> <td>"</td> <td>V-675</td> <td>122</td> <td>1/2</td> <td>2900</td> <td>1\"/&gt;  <tr> <td>U-32</td> <td>"</td> <td>"</td> <td>V-675</td> <td>122</td> <td>1/2</td> <td>2900</td> <td>1\"/&gt;  <tr> <td>U-33</td> <td>"</td> <td>"</td> <td>V-675</td> <td>122</td> <td>1/2</td> <td>2900</td> <td>1\"/&gt;  <tr> <td>U-34</td> <td>"</td> <td>"</td> <td>V-675</td> <td>122</td> <td>1/2</td> <td>2900</td> <td>1\"/&gt;  <tr> <td>U-35</td> <td>"</td> <td>"</td> <td>V-675</td> <td>122</td> <td>1/2</td> <td>2900</td> <td>1\"/&gt;  <tr> <td>U-36</td> <td>"</td> <td>"</td> <td>V-675</td> <td>122</td> <td>1/2</td> <td>2900</td> <td>1\"/&gt;  <tr> <td>U-37</td> <td>"</td> <td>"</td> <td>V-675</td> <td>122</td> <td>1/2</td> <td>2900</td> <td>1\"/&gt;  <tr> <td>U-38</td> <td>"</td> <td>"</td> <td>V-675</td> <td>122</td> <td>1/2</td> <td>2900</td> <td>1\"/&gt;  <tr> <td>U-39</td> <td>"</td> <td>"</td> <td>V-675</td> <td>122</td> <td>1/2</td> <td>2900</td> <td>1\"/&gt;  <tr> <td>U-40</td> <td>"</td> <td>"</td> <td>V-675</td> <td>122</td> <td>1/2</td> <td>2900</td> <td>1\"/&gt;  <tr> <td>U-41</td> <td>"</td> <td>"</td> <td>V-675</td> <td>122</td> <td>1/2</td> <td>2900</td> <td>1\"/&gt;  <tr> <td>U-42</td> <td>"</td> <td>"</td> <td>V-675</td> <td>122</td> <td>1/2</td> <td>2900</td> <td>1\"/&gt;  <tr> <td>U-43</td> <td>"</td> <td>"</td> <td>V-675</td> <td>122</td> <td>1/2</td> <td>2900</td> <td>1\"/&gt;  <tr> <td>U-44</td> <td>"</td> <td>"</td> <td>V-675</td> <td>122</td> <td>1/2</td> <td>2900</td> <td>1\"/&gt;  <tr> <td>U-45</td> <td>"</td> <td>"</td> <td>V-675</td> <td>122</td> <td>1/2</td> <td>2900</td> <td>1\"/&gt;  <tr> <td>U-46</td> <td>"</td> <td>"</td> <td>V-675</td> <td>122</td> <td>1/2</td> <td>2900</td> <td>1\"/&gt;  <tr> <td>U-47</td> <td>"</td> <td>"</td> <td>V-675</td> <td>122</td> <td>1/2</td> <td>2900</td> <td>1\"/&gt;  <tr> <td>U-48</td> <td>"</td> <td>"</td> <td>V-675</td> <td>122</td> <td>1/2</td> <td>2900</td> <td>1\"/&gt;  <tr> <td>U-49</td> <td>"</td> <td>"</td> <td>V-675</td> <td>122</td> <td>1/2</td> <td>2900</td> <td>1\"/&gt;  <tr> <td>U-50</td> <td>"</td> <td>"</td> <td>V-675</td> <td>122</td> <td>1/2</td> <td>2900</td> <td>1\"/&gt;  </td></tr></td></tr></td></tr></td></tr></td></tr></td></tr></td></tr></td></tr></td></tr></td></tr></td></tr></td></tr></td></tr></td></tr></td></tr></td></tr></td></tr></td></tr></td></tr></td></tr>   | U-31 | " | " | V-675 | 122 | 1/2 | 2900 | 1\"/> <tr> <td>U-32</td> <td>"</td> <td>"</td> <td>V-675</td> <td>122</td> <td>1/2</td> <td>2900</td> <td>1\"/&gt;  <tr> <td>U-33</td> <td>"</td> <td>"</td> <td>V-675</td> <td>122</td> <td>1/2</td> <td>2900</td> <td>1\"/&gt;  <tr> <td>U-34</td> <td>"</td> <td>"</td> <td>V-675</td> <td>122</td> <td>1/2</td> <td>2900</td> <td>1\"/&gt;  <tr> <td>U-35</td> <td>"</td> <td>"</td> <td>V-675</td> <td>122</td> <td>1/2</td> <td>2900</td> <td>1\"/&gt;  <tr> <td>U-36</td> <td>"</td> <td>"</td> <td>V-675</td> <td>122</td> <td>1/2</td> <td>2900</td> <td>1\"/&gt;  <tr> <td>U-37</td> <td>"</td> <td>"</td> <td>V-675</td> <td>122</td> <td>1/2</td> <td>2900</td> <td>1\"/&gt;  <tr> <td>U-38</td> <td>"</td> <td>"</td> <td>V-675</td> <td>122</td> <td>1/2</td> <td>2900</td> <td>1\"/&gt;  <tr> <td>U-39</td> <td>"</td> <td>"</td> <td>V-675</td> <td>122</td> <td>1/2</td> <td>2900</td> <td>1\"/&gt;  <tr> <td>U-40</td> <td>"</td> <td>"</td> <td>V-675</td> <td>122</td> <td>1/2</td> <td>2900</td> <td>1\"/&gt;  <tr> <td>U-41</td> <td>"</td> <td>"</td> <td>V-675</td> <td>122</td> <td>1/2</td> <td>2900</td> <td>1\"/&gt;  <tr> <td>U-42</td> <td>"</td> <td>"</td> <td>V-675</td> <td>122</td> <td>1/2</td> <td>2900</td> <td>1\"/&gt;  <tr> <td>U-43</td> <td>"</td> <td>"</td> <td>V-675</td> <td>122</td> <td>1/2</td> <td>2900</td> <td>1\"/&gt;  <tr> <td>U-44</td> <td>"</td> <td>"</td> <td>V-675</td> <td>122</td> <td>1/2</td> <td>2900</td> <td>1\"/&gt;  <tr> <td>U-45</td> <td>"</td> <td>"</td> <td>V-675</td> <td>122</td> <td>1/2</td> <td>2900</td> <td>1\"/&gt;  <tr> <td>U-46</td> <td>"</td> <td>"</td> <td>V-675</td> <td>122</td> <td>1/2</td> <td>2900</td> <td>1\"/&gt;  <tr> <td>U-47</td> <td>"</td> <td>"</td> <td>V-675</td> <td>122</td> <td>1/2</td> <td>2900</td> <td>1\"/&gt;  <tr> <td>U-48</td> <td>"</td> <td>"</td> <td>V-675</td> <td>122</td> <td>1/2</td> <td>2900</td> <td>1\"/&gt;  <tr> <td>U-49</td> <td>"</td> <td>"</td> <td>V-675</td> <td>122</td> <td>1/2</td> <td>2900</td> <td>1\"/&gt;  <tr> <td>U-50</td> <td>"</td> <td>"</td> <td>V-675</td> <td>122</td> <td>1/2</td> <td>2900</td> <td>1\"/&gt;  </td></tr></td></tr></td></tr></td></tr></td></tr></td></tr></td></tr></td></tr></td></tr></td></tr></td></tr></td></tr></td></tr></td></tr></td></tr></td></tr></td></tr></td></tr></td></tr>   | U-32 | " | " | V-675 | 122 | 1/2 | 2900 | 1\"/> <tr> <td>U-33</td> <td>"</td> <td>"</td> <td>V-675</td> <td>122</td> <td>1/2</td> <td>2900</td> <td>1\"/&gt;  <tr> <td>U-34</td> <td>"</td> <td>"</td> <td>V-675</td> <td>122</td> <td>1/2</td> <td>2900</td> <td>1\"/&gt;  <tr> <td>U-35</td> <td>"</td> <td>"</td> <td>V-675</td> <td>122</td> <td>1/2</td> <td>2900</td> <td>1\"/&gt;  <tr> <td>U-36</td> <td>"</td> <td>"</td> <td>V-675</td> <td>122</td> <td>1/2</td> <td>2900</td> <td>1\"/&gt;  <tr> <td>U-37</td> <td>"</td> <td>"</td> <td>V-675</td> <td>122</td> <td>1/2</td> <td>2900</td> <td>1\"/&gt;  <tr> <td>U-38</td> <td>"</td> <td>"</td> <td>V-675</td> <td>122</td> <td>1/2</td> <td>2900</td> <td>1\"/&gt;  <tr> <td>U-39</td> <td>"</td> <td>"</td> <td>V-675</td> <td>122</td> <td>1/2</td> <td>2900</td> <td>1\"/&gt;  <tr> <td>U-40</td> <td>"</td> <td>"</td> <td>V-675</td> <td>122</td> <td>1/2</td>
<td>2900</td> <td>1\"/&gt;  <tr> <td>U-41</td> <td>"</td> <td>"</td> <td>V-675</td> <td>122</td> <td>1/2</td> <td>2900</td> <td>1\"/&gt;  <tr> <td>U-42</td> <td>"</td> <td>"</td> <td>V-675</td> <td>122</td> <td>1/2</td> <td>2900</td> <td>1\"/&gt;  <tr> <td>U-43</td> <td>"</td> <td>"</td> <td>V-675</td> <td>122</td> <td>1/2</td> <td>2900</td> <td>1\"/&gt;  <tr> <td>U-44</td> <td>"</td> <td>"</td> <td>V-675</td> <td>122</td> <td>1/2</td> <td>2900</td> <td>1\"/&gt;  <tr> <td>U-45</td> <td>"</td> <td>"</td> <td>V-675</td> <td>122</td> <td>1/2</td> <td>2900</td> <td>1\"/&gt;  <tr> <td>U-46</td> <td>"</td> <td>"</td> <td>V-675</td> <td>122</td> <td>1/2</td> <td>2900</td> <td>1\"/&gt;  <tr> <td>U-47</td> <td>"</td> <td>"</td> <td>V-675</td> <td>122</td> <td>1/2</td> <td>2900</td> <td>1\"/&gt;  <tr> <td>U-48</td> <td>"</td> <td>"</td> <td>V-675</td> <td>122</td> <td>1/2</td> <td>2900</td> <td>1\"/&gt;  <tr> <td>U-49</td> <td>"</td> <td>"</td> <td>V-675</td> <td>122</td> <td>1/2</td> <td>2900</td> <td>1\"/&gt;  <tr> <td>U-50</td> <td>"</td> <td>"</td> <td>V-675</td> <td>122</td> <td>1/2</td> <td>2900</td> <td>1\"/&gt;  </td></tr></td></tr></td></tr></td></tr></td></tr></td></tr></td></tr></td></tr></td></tr></td></tr></td></tr></td></tr></td></tr></td></tr></td></tr></td></tr></td></tr></td></tr>   | U-33 | " | " | V-675 | 122 | 1/2 | 2900 | 1\"/> <tr> <td>U-34</td> <td>"</td> <td>"</td> <td>V-675</td> <td>122</td> <td>1/2</td> <td>2900</td> <td>1\"/&gt;  <tr> <td>U-35</td> <td>"</td> <td>"</td> <td>V-675</td> <td>122</td> <td>1/2</td> <td>2900</td> <td>1\"/&gt;  <tr> <td>U-36</td> <td>"</td> <td>"</td> <td>V-675</td> <td>122</td> <td>1/2</td> <td>2900</td> <td>1\"/&gt;  <tr> <td>U-37</td> <td>"</td> <td>"</td> <td>V-675</td> <td>122</td> <td>1/2</td> <td>2900</td> <td>1\"/&gt;  <tr> <td>U-38</td> <td>"</td> <td>"</td> <td>V-675</td> <td>122</td> <td>1/2</td> <td>2900</td> <td>1\"/&gt;  <tr> <td>U-39</td> <td>"</td> <td>"</td> <td>V-675</td> <td>122</td> <td>1/2</td> <td>2900</td> <td>1\"/&gt;  <tr> <td>U-40</td> <td>"</td> <td>"</td> <td>V-675</td> <td>122</td> <td>1/2</td> <td>2900</td> <td>1\"/&gt;  <tr> <td>U-41</td> <td>"</td> <td>"</td> <td>V-675</td> <td>122</td> <td>1/2</td> <td>2900</td> <td>1\"/&gt;  <tr> <td>U-42</td> <td>"</td> <td>"</td> <td>V-675</td> <td>122</td> <td>1/2</td> <td>2900</td> <td>1\"/&gt;  <tr> <td>U-43</td> <td>"</td> <td>"</td> <td>V-675</td> <td>122</td> <td>1/2</td> <td>2900</td> <td>1\"/&gt;  <tr> <td>U-44</td> <td>"</td> <td>"</td> <td>V-675</td> <td>122</td> <td>1/2</td> <td>2900</td> <td>1\"/&gt;  <tr> <td>U-45</td> <td>"</td> <td>"</td> <td>V-675</td> <td>122</td> <td>1/2</td> <td>2900</td> <td>1\"/&gt;  <tr> <td>U-46</td> <td>"</td> <td>"</td> <td>V-675</td> <td>122</td> <td>1/2</td> <td>2900</td> <td>1\"/&gt;  <tr> <td>U-47</td> <td>"</td> <td>"</td> <td>V-675</td> <td>122</td> <td>1/2</td> <td>2900</td> <td>1\"/&gt;  <tr> <td>U-48</td> <td>"</td> <td>"</td> <td>V-675</td> <td>122</td> <td>1/2</td> <td>2900</td> <td>1\"/&gt;  <tr> <td>U-49</td> <td>"</td> <td>"</td> <td>V-675</td> <td>122</td> <td>1/2</td> <td>2900</td> <td>1\"/&gt;  <tr> <td>U-50</td> <td>"</td> <td>"</td> <td>V-675</td> <td>122</td> <td>1/2</td> <td>2900</td> <td>1\"/&gt;  </td></tr></td></tr></td></tr></td></tr></td></tr></td></tr></td></tr></td></tr></td></tr></td></tr></td></tr></td></tr></td></tr></td></tr></td></tr></td></tr></td></tr>   | U-34 | " | " | V-675 | 122 | 1/2 | 2900 | 1\"/> <tr> <td>U-35</td> <td>"</td> <td>"</td> <td>V-675</td> <td>122</td> <td>1/2</td> <td>2900</td> <td>1\"/&gt;  <tr> <td>U-36</td> <td>"</td> <td>"</td> <td>V-675</td> <td>122</td> <td>1/2</td> <td>2900</td> <td>1\"/&gt;  <tr> <td>U-37</td> <td>"</td> <td>"</td> <td>V-675</td> <td>122</td> <td>1/2</td> <td>2900</td> <td>1\"/&gt;  <tr> <td>U-38</td> <td>"</td> <td>"</td> <td>V-675</td> <td>122</td> <td>1/2</td> <td>2900</td> <td>1\"/&gt;  <tr> <td>U-39</td> <td>"</td> <td>"</td> <td>V-675</td> <td>122</td> <td>1/2</td> <td>2900</td> <td>1\"/&gt;  <tr> <td>U-40</td> <td>"</td> <td>"</td> <td>V-675</td> <td>122</td> <td>1/2</td> <td>2900</td> <td>1\"/&gt;  <tr> <td>U-41</td> <td>"</td> <td>"</td> <td>V-675</td> <td>122</td> <td>1/2</td> <td>2900</td> <td>1\"/&gt;  <tr> <td>U-42</td> <td>"</td> <td>"</td> <td>V-675</td> <td>122</td> <td>1/2</td> <td>2900</td> <td>1\"/&gt;  <tr> <td>U-43</td> <td>"</td> <td>"</td> <td>V-675</td> <td>122</td> <td>1/2</td> <td>2900</td> <td>1\"/&gt;  <tr> <td>U-44</td> <td>"</td> <td>"</td> <td>V-675</td> <td>122</td> <td>1/2</td> <td>2900</td> <td>1\"/&gt;  <tr> <td>U-45</td> <td>"</td> <td>"</td> <td>V-675</td> <td>122</td> <td>1/2</td> <td>2900</td> <td>1\"/&gt;  <tr> <td>U-46</td> <td>"</td> <td>"</td> <td>V-675</td> <td>122</td> <td>1/2</td> <td>2900</td> <td>1\"/&gt;  <tr> <td>U-47</td> <td>"</td> <td>"</td> <td>V-675</td> <td>122</td> <td>1/2</td> <td>2900</td> <td>1\"/&gt;  <tr> <td>U-48</td> <td>"</td> <td>"</td> <td>V-675</td> <td>122</td> <td>1/2</td> <td>2900</td> <td>1\"/&gt;  <tr> <td>U-49</td> <td>"</td> <td>"</td> <td>V-675</td> <td>122</td> <td>1/2</td> <td>2900</td> <td>1\"/&gt;  <tr> <td>U-50</td> <td>"</td> <td>"</td> <td>V-675</td> <td>122</td> <td>1/2</td> <td>2900</td> <td>1\"/&gt;  </td></tr></td></tr></td></tr></td></tr></td></tr></td></tr></td></tr></td></tr></td></tr></td></tr></td></tr></td></tr></td></tr></td></tr></td></tr></td></tr>   
   | U-35 | " | " | V-675 | 122 | 1/2 | 2900 | 1\"/> <tr> <td>U-36</td> <td>"</td> <td>"</td> <td>V-675</td> <td>122</td> <td>1/2</td> <td>2900</td> <td>1\"/&gt;  <tr> <td>U-37</td> <td>"</td> <td>"</td> <td>V-675</td> <td>122</td> <td>1/2</td> <td>2900</td> <td>1\"/&gt;  <tr> <td>U-38</td> <td>"</td> <td>"</td> <td>V-675</td> <td>122</td> <td>1/2</td> <td>2900</td> <td>1\"/&gt;  <tr> <td>U-39</td> <td>"</td> <td>"</td> <td>V-675</td> <td>122</td> <td>1/2</td> <td>2900</td> <td>1\"/&gt;  <tr> <td>U-40</td> <td>"</td> <td>"</td> <td>V-675</td> <td>122</td> <td>1/2</td> <td>2900</td> <td>1\"/&gt;  <tr> <td>U-41</td> <td>"</td> <td>"</td> <td>V-675</td> <td>122</td> <td>1/2</td> <td>2900</td> <td>1\"/&gt;  <tr> <td>U-42</td> <td>"</td> <td>"</td> <td>V-675</td> <td>122</td> <td>1/2</td> <td>2900</td> <td>1\"/&gt;  <tr> <td>U-43</td> <td>"</td> <td>"</td> <td>V-675</td> <td>122</td> <td>1/2</td> <td>2900</td> <td>1\"/&gt;  <tr> <td>U-44</td> <td>"</td> <td>"</td> <td>V-675</td> <td>122</td> <td>1/2</td> <td>2900</td> <td>1\"/&gt;  <tr> <td>U-45</td> <td>"</td> <td>"</td> <td>V-675</td> <td>122</td> <td>1/2</td> <td>2900</td> <td>1\"/&gt;  <tr> <td>U-46</td> <td>"</td> <td>"</td> <td>V-675</td> <td>122</td> <td>1/2</td> <td>2900</td> <td>1\"/&gt;  <tr> <td>U-47</td> <td>"</td> <td>"</td> <td>V-675</td> <td>122</td> <td>1/2</td> <td>2900</td> <td>1\"/&gt;  <tr> <td>U-48</td> <td>"</td> <td>"</td> <td>V-675</td> <td>122</td> <td>1/2</td> <td>2900</td> <td>1\"/&gt;  <tr> <td>U-49</td> <td>"</td> <td>"</td> <td>V-675</td> <td>122</td> <td>1/2</td> <td>2900</td> <td>1\"/&gt;  <tr> <td>U-50</td> <td>"</td> <td>"</td> <td>V-675</td> <td>122</td> <td>1/2</td> <td>2900</td> <td>1\"/&gt;  </td></tr></td></tr></td></tr></td></tr></td></tr></td></tr></td></tr></td></tr></td></tr></td></tr></td></tr></td></tr></td></tr></td></tr></td></tr>   | U-36 | " | " | V-675 | 122 | 1/2 | 2900 | 1\"/> <tr> <td>U-37</td> <td>"</td> <td>"</td> <td>V-675</td> <td>122</td> <td>1/2</td> <td>2900</td> <td>1\"/&gt;  <tr> <td>U-38</td> <td>"</td> <td>"</td> <td>V-675</td> <td>122</td> <td>1/2</td> <td>2900</td> <td>1\"/&gt;  <tr> <td>U-39</td> <td>"</td> <td>"</td> <td>V-675</td> <td>122</td> <td>1/2</td> <td>2900</td> <td>1\"/&gt;  <tr> <td>U-40</td> <td>"</td> <td>"</td> <td>V-675</td> <td>122</td> <td>1/2</td> <td>2900</td> <td>1\"/&gt;  <tr> <td>U-41</td> <td>"</td> <td>"</td> <td>V-675</td> <td>122</td> <td>1/2</td> <td>2900</td> <td>1\"/&gt;  <tr> <td>U-42</td> <td>"</td> <td>"</td> <td>V-675</td> <td>122</td> <td>1/2</td> <td>2900</td> <td>1\"/&gt;  <tr> <td>U-43</td> <td>"</td> <td>"</td> <td>V-675</td> <td>122</td> <td>1/2</td> <td>2900</td> <td>1\"/&gt;  <tr> <td>U-44</td> <td>"</td> <td>"</td> <td>V-675</td> <td>122</td> <td>1/2</td> <td>2900</td> <td>1\"/&gt;  <tr> <td>U-45</td> <td>"</td> <td>"</td> <td>V-675</td> <td>122</td> <td>1/2</td> <td>2900</td> <td>1\"/&gt;  <tr> <td>U-46</td> <td>"</td> <td>"</td> <td>V-675</td> <td>122</td> <td>1/2</td> <td>2900</td> <td>1\"/&gt;  <tr> <td>U-47</td> <td>"</td> <td>"</td> <td>V-675</td> <td>122</td> <td>1/2</td> <td>2900</td> <td>1\"/&gt;  <tr> <td>U-48</td> <td>"</td> <td>"</td> <td>V-675</td> <td>122</td> <td>1/2</td> <td>2900</td> <td>1\"/&gt;  <tr> <td>U-49</td> <td>"</td> <td>"</td> <td>V-675</td> <td>122</td> <td>1/2</td> <td>2900</td> <td>1\"/&gt;  <tr> <td>U-50</td> <td>"</td> <td>"</td> <td>V-675</td> <td>122</td> <td>1/2</td> <td>2900</td> <td>1\"/&gt;  </td></tr></td></tr></td></tr></td></tr></td></tr></td></tr></td></tr></td></tr></td></tr></td></tr></td></tr></td></tr></td></tr></td></tr>   | U-37 | " | " | V-675 | 122 | 1/2 | 2900 | 1\"/> <tr> <td>U-38</td> <td>"</td> <td>"</td> <td>V-675</td> <td>122</td> <td>1/2</td> <td>2900</td> <td>1\"/&gt;  <tr> <td>U-39</td> <td>"</td> <td>"</td> <td>V-675</td> <td>122</td> <td>1/2</td> <td>2900</td> <td>1\"/&gt;  <tr> <td>U-40</td> <td>"</td> <td>"</td> <td>V-675</td> <td>122</td> <td>1/2</td> <td>2900</td> <td>1\"/&gt;  <tr> <td>U-41</td> <td>"</td> <td>"</td> <td>V-675</td> <td>122</td> <td>1/2</td> <td>2900</td> <td>1\"/&gt;  <tr> <td>U-42</td> <td>"</td> <td>"</td> <td>V-675</td> <td>122</td> <td>1/2</td> <td>2900</td> <td>1\"/&gt;  <tr> <td>U-43</td> <td>"</td> <td>"</td> <td>V-675</td> <td>122</td> <td>1/2</td> <td>2900</td> <td>1\"/&gt;  <tr> <td>U-44</td> <td>"</td> <td>"</td> <td>V-675</td> <td>122</td> <td>1/2</td> <td>2900</td> <td>1\"/&gt;  <tr> <td>U-45</td> <td>"</td> <td>"</td> <td>V-675</td> <td>122</td> <td>1/2</td> <td>2900</td> <td>1\"/&gt;  <tr> <td>U-46</td> <td>"</td> <td>"</td> <td>V-675</td> <td>122</td> <td>1/2</td> <td>2900</td> <td>1\"/&gt;  <tr> <td>U-47</td> <td>"</td> <td>"</td> <td>V-675</td> <td>122</td> <td>1/2</td> <td>2900</td> <td>1\"/&gt;  <tr> <td>U-48</td> <td>"</td> <td>"</td> <td>V-675</td> <td>122</td> <td>1/2</td> <td>2900</td> <td>1\"/&gt;  <tr> <td>U-49</td> <td>"</td> <td>"</td> <td>V-675</td> <td>122</td> <td>1/2</td> <td>2900</td> <td>1\"/&gt;  <tr> <td>U-50</td> <td>"</td> <td>"</td> <td>V-675</td> <td>122</td> <td>1/2</td> <td>2900</td> <td>1\"/&gt;  </td></tr></td></tr></td></tr></td></tr></td></tr></td></tr></td></tr></td></tr></td></tr></td></tr></td></tr></td></tr></td></tr>  
  | U-38 | " | " | V-675 | 122 | 1/2 | 2900 | 1\"/> <tr> <td>U-39</td> <td>"</td> <td>"</td> <td>V-675</td> <td>122</td> <td>1/2</td> <td>2900</td> <td>1\"/&gt;  <tr> <td>U-40</td> <td>"</td> <td>"</td> <td>V-675</td> <td>122</td> <td>1/2</td> <td>2900</td> <td>1\"/&gt;  <tr> <td>U-41</td> <td>"</td> <td>"</td> <td>V-675</td> <td>122</td> <td>1/2</td> <td>2900</td> <td>1\"/&gt;  <tr> <td>U-42</td> <td>"</td> <td>"</td> <td>V-675</td> <td>122</td> <td>1/2</td> <td>2900</td> <td>1\"/&gt;  <tr> <td>U-43</td> <td>"</td> <td>"</td> <td>V-675</td> <td>122</td> <td>1/2</td> <td>2900</td> <td>1\"/&gt;  <tr> <td>U-44</td> <td>"</td> <td>"</td> <td>V-675</td> <td>122</td> <td>1/2</td> <td>2900</td> <td>1\"/&gt;  <tr> <td>U-45</td> <td>"</td> <td>"</td> <td>V-675</td> <td>122</td> <td>1/2</td> <td>2900</td> <td>1\"/&gt;  <tr> <td>U-46</td> <td>"</td> <td>"</td> <td>V-675</td> <td>122</td> <td>1/2</td> <td>2900</td> <td>1\"/&gt;  <tr> <td>U-47</td> <td>"</td> <td>"</td> <td>V-675</td> <td>122</td> <td>1/2</td> <td>2900</td> <td>1\"/&gt;  <tr> <td>U-48</td> <td>"</td> <td>"</td> <td>V-675</td> <td>122</td> <td>1/2</td> <td>2900</td> <td>1\"/&gt;  <tr> <td>U-49</td> <td>"</td> <td>"</td> <td>V-675</td> <td>122</td> <td>1/2</td> <td>2900</td> <td>1\"/&gt;  <tr> <td>U-50</td> <td>"</td> <td>"</td> <td>V-675</td> <td>122</td> <td>1/2</td> <td>2900</td> <td>1\"/&gt;  </td></tr></td></tr></td></tr></td></tr></td></tr></td></tr></td></tr></td></tr></td></tr></td></tr></td></tr></td></tr>   | U-39 | " | " | V-675 | 122 | 1/2 | 2900 | 1\"/> <tr> <td>U-40</td> <td>"</td> <td>"</td> <td>V-675</td> <td>122</td> <td>1/2</td> <td>2900</td> <td>1\"/&gt;  <tr> <td>U-41</td> <td>"</td> <td>"</td> <td>V-675</td> <td>122</td> <td>1/2</td> <td>2900</td> <td>1\"/&gt;  <tr> <td>U-42</td> <td>"</td> <td>"</td> <td>V-675</td> <td>122</td> <td>1/2</td> <td>2900</td> <td>1\"/&gt;  <tr> <td>U-43</td> <td>"</td> <td>"</td> <td>V-675</td> <td>122</td> <td>1/2</td> <td>2900</td> <td>1\"/&gt;  <tr> <td>U-44</td> <td>"</td> <td>"</td> <td>V-675</td> <td>122</td> <td>1/2</td> <td>2900</td> <td>1\"/&gt;  <tr> <td>U-45</td> <td>"</td> <td>"</td> <td>V-675</td> <td>122</td> <td>1/2</td> <td>2900</td> <td>1\"/&gt;  <tr> <td>U-46</td> <td>"</td> <td>"</td> <td>V-675</td> <td>122</td> <td>1/2</td> <td>2900</td> <td>1\"/&gt;  <tr> <td>U-47</td> <td>"</td> <td>"</td> <td>V-675</td> <td>122</td> <td>1/2</td> <td>2900</td> <td>1\"/&gt;  <tr> <td>U-48</td> <td>"</td> <td>"</td> <td>V-675</td> <td>122</td> <td>1/2</td> <td>2900</td> <td>1\"/&gt;  <tr> <td>U-49</td> <td>"</td> <td>"</td> <td>V-675</td> <td>122</td> <td>1/2</td> <td>2900</td> <td>1\"/&gt;  <tr> <td>U-50</td> <td>"</td> <td>"</td> <td>V-675</td> <td>122</td> <td>1/2</td> <td>2900</td> <td>1\"/&gt;  </td></tr></td></tr></td></tr></td></tr></td></tr></td></tr></td></tr></td></tr></td></tr></td></tr></td></tr>   | U-40 | " | " | V-675 | 122 | 1/2 | 2900 | 1\"/> <tr> <td>U-41</td> <td>"</td> <td>"</td> <td>V-675</td> <td>122</td> <td>1/2</td> <td>2900</td> <td>1\"/&gt;  <tr> <td>U-42</td> <td>"</td> <td>"</td> <td>V-675</td> <td>122</td> <td>1/2</td> <td>2900</td> <td>1\"/&gt;  <tr> <td>U-43</td> <td>"</td> <td>"</td> <td>V-675</td> <td>122</td> <td>1/2</td> <td>2900</td> <td>1\"/&gt;  <tr> <td>U-44</td> <td>"</td> <td>"</td> <td>V-675</td> <td>122</td> <td>1/2</td> <td>2900</td> <td>1\"/&gt;  <tr> <td>U-45</td> <td>"</td> <td>"</td> <td>V-675</td> <td>122</td> <td>1/2</td> <td>2900</td> <td>1\"/&gt;  <tr> <td>U-46</td> <td>"</td> <td>"</td> <td>V-675</td> <td>122</td> <td>1/2</td> <td>2900</td> <td>1\"/&gt;  <tr> <td>U-47</td> <td>"</td> <td>"</td> <td>V-675</td> <td>122</td> <td>1/2</td> <td>2900</td> <td>1\"/&gt;  <tr> <td>U-48</td> <td>"</td> <td>"</td> <td>V-675</td> <td>122</td> <td>1/2</td> <td>2900</td> <td>1\"/&gt;  <tr> <td>U-49</td> <td>"</td> <td>"</td> <td>V-675</td> <td>122</td> <td>1/2</td> <td>2900</td> <td>1\"/&gt;  <tr> <td>U-50</td> <td>"</td> <td>"</td> <td>V-675</td> <td>122</td> <td>1/2</td> <td>2900</td> <td>1\"/&gt;  </td></tr></td></tr></td></tr></td></tr></td></tr></td></tr></td></tr></td></tr></td></tr></td></tr>   | U-41 | " | " | V-675 | 122 | 1/2 | 2900 | 1\"/> <tr> <td>U-42</td> <td>"</td> <td>"</td> <td>V-675</td> <td>122</td> <td>1/2</td> <td>2900</td> <td>1\"/&gt;  <tr> <td>U-43</td> <td>"</td> <td>"</td>
<td>V-675</td> <td>122</td> <td>1/2</td> <td>2900</td> <td>1\"/&gt;  <tr> <td>U-44</td> <td>"</td> <td>"</td> <td>V-675</td> <td>122</td> <td>1/2</td> <td>2900</td> <td>1\"/&gt;  <tr> <td>U-45</td> <td>"</td> <td>"</td> <td>V-675</td> <td>122</td> <td>1/2</td> <td>2900</td> <td>1\"/&gt;  <tr> <td>U-46</td> <td>"</td> <td>"</td> <td>V-675</td> <td>122</td> <td>1/2</td> <td>2900</td> <td>1\"/&gt;  <tr> <td>U-47</td> <td>"</td> <td>"</td> <td>V-675</td> <td>122</td> <td>1/2</td> <td>2900</td> <td>1\"/&gt;  <tr> <td>U-48</td> <td>"</td> <td>"</td> <td>V-675</td> <td>122</td> <td>1/2</td> <td>2900</td> <td>1\"/&gt;  <tr> <td>U-49</td> <td>"</td> <td>"</td> <td>V-675</td> <td>122</td> <td>1/2</td> <td>2900</td> <td>1\"/&gt;  <tr> <td>U-50</td> <td>"</td> <td>"</td> <td>V-675</td> <td>122</td> <td>1/2</td> <td>2900</td> <td>1\"/&gt;  </td></tr></td></tr></td></tr></td></tr></td></tr></td></tr></td></tr></td></tr></td></tr>   | U-42 | " | " | V-675 | 122 | 1/2 | 2900 | 1\"/> <tr> <td>U-43</td> <td>"</td> <td>"</td> <td>V-675</td> <td>122</td> <td>1/2</td> <td>2900</td> <td>1\"/&gt;  <tr> <td>U-44</td> <td>"</td> <td>"</td> <td>V-675</td> <td>122</td> <td>1/2</td> <td>2900</td> <td>1\"/&gt;  <tr> <td>U-45</td> <td>"</td> <td>"</td> <td>V-675</td> <td>122</td> <td>1/2</td> <td>2900</td> <td>1\"/&gt;  <tr> <td>U-46</td> <td>"</td> <td>"</td> <td>V-675</td> <td>122</td> <td>1/2</td> <td>2900</td> <td>1\"/&gt;  <tr> <td>U-47</td> <td>"</td> <td>"</td> <td>V-675</td> <td>122</td> <td>1/2</td> <td>2900</td> <td>1\"/&gt;  <tr> <td>U-48</td> <td>"</td> <td>"</td> <td>V-675</td> <td>122</td> <td>1/2</td> <td>2900</td> <td>1\"/&gt;  <tr> <td>U-49</td> <td>"</td> <td>"</td> <td>V-675</td> <td>122</td> <td>1/2</td> <td>2900</td> <td>1\"/&gt;  <tr> <td>U-50</td> <td>"</td> <td>"</td> <td>V-675</td> <td>122</td> <td>1/2</td> <td>2900</td> <td>1\"/&gt;  </td></tr></td></tr></td></tr></td></tr></td></tr></td></tr></td></tr></td></tr>   | U-43 | " | " | V-675 | 122 | 1/2 | 2900 | 1\"/> <tr> <td>U-44</td> <td>"</td> <td>"</td> <td>V-675</td> <td>122</td> <td>1/2</td> <td>2900</td> <td>1\"/&gt;  <tr> <td>U-45</td> <td>"</td> <td>"</td> <td>V-675</td> <td>122</td> <td>1/2</td> <td>2900</td> <td>1\"/&gt;  <tr> <td>U-46</td> <td>"</td> <td>"</td> <td>V-675</td> <td>122</td> <td>1/2</td> <td>2900</td> <td>1\"/&gt;  <tr> <td>U-47</td> <td>"</td> <td>"</td> <td>V-675</td> <td>122</td> <td>1/2</td> <td>2900</td> <td>1\"/&gt;  <tr> <td>U-48</td> <td>"</td> <td>"</td> <td>V-675</td> <td>122</td> <td>1/2</td> <td>2900</td> <td>1\"/&gt;  <tr> <td>U-49</td> <td>"</td> <td>"</td> <td>V-675</td> <td>122</td> <td>1/2</td> <td>2900</td> <td>1\"/&gt;  <tr> <td>U-50</td> <td>"</td> <td>"</td> <td>V-675</td> <td>122</td> <td>1/2</td> <td>2900</td> <td>1\"/&gt;  </td></tr></td></tr></td></tr></td></tr></td></tr></td></tr></td></tr>   | U-44 | " | " | V-675 | 122 | 1/2 | 2900 | 1\"/> <tr> <td>U-45</td> <td>"</td> <td>"</td> <td>V-675</td> <td>122</td> <td>1/2</td> <td>2900</td> <td>1\"/&gt;  <tr> <td>U-46</td> <td>"</td> <td>"</td> <td>V-675</td> <td>122</td> <td>1/2</td> <td>2900</td> <td>1\"/&gt;  <tr> <td>U-47</td> <td>"</td> <td>"</td> <td>V-675</td> <td>122</td> <td>1/2</td> <td>2900</td> <td>1\"/&gt;  <tr> <td>U-48</td> <td>"</td> <td>"</td> <td>V-675</td> <td>122</td> <td>1/2</td> <td>2900</td> <td>1\"/&gt;  <tr> <td>U-49</td> <td>"</td> <td>"</td> <td>V-675</td> <td>122</td> <td>1/2</td> <td>2900</td> <td>1\"/&gt;  <tr> <td>U-50</td> <td>"</td> <td>"</td> <td>V-675</td> <td>122</td> <td>1/2</td> <td>2900</td> <td>1\"/&gt;  </td></tr></td></tr></td></tr></td></tr></td></tr></td></tr>   
   | U-45 | " | " | V-675 | 122 | 1/2 | 2900 | 1\"/> <tr> <td>U-46</td> <td>"</td> <td>"</td> <td>V-675</td> <td>122</td> <td>1/2</td> <td>2900</td> <td>1\"/&gt;  <tr> <td>U-47</td> <td>"</td> <td>"</td> <td>V-675</td> <td>122</td> <td>1/2</td> <td>2900</td> <td>1\"/&gt;  <tr> <td>U-48</td> <td>"</td> <td>"</td> <td>V-675</td> <td>122</td> <td>1/2</td> <td>2900</td> <td>1\"/&gt;  <tr> <td>U-49</td> <td>"</td> <td>"</td> <td>V-675</td> <td>122</td> <td>1/2</td> <td>2900</td> <td>1\"/&gt;  <tr> <td>U-50</td> <td>"</td> <td>"</td> <td>V-675</td> <td>122</td> <td>1/2</td> <td>2900</td> <td>1\"/&gt;  </td></tr></td></tr></td></tr></td></tr></td></tr>   | U-46 | " | " | V-675 | 122 | 1/2 | 2900 | 1\"/> <tr> <td>U-47</td> <td>"</td> <td>"</td> <td>V-675</td> <td>122</td> <td>1/2</td> <td>2900</td> <td>1\"/&gt;  <tr> <td>U-48</td> <td>"</td> <td>"</td> <td>V-675</td> <td>122</td> <td>1/2</td> <td>2900</td> <td>1\"/&gt;  <tr> <td>U-49</td> <td>"</td> <td>"</td> <td>V-675</td> <td>122</td> <td>1/2</td> <td>2900</td> <td>1\"/&gt;  <tr> <td>U-50</td> <td>"</td> <td>"</td> <td>V-675</td> <td>122</td> <td>1/2</td> <td>2900</td> <td>1\"/&gt;  </td></tr></td></tr></td></tr></td></tr>   | U-47 | " | " | V-675 | 122 | 1/2 | 2900 | 1\"/> <tr> <td>U-48</td> <td>"</td> <td>"</td> <td>V-675</td> <td>122</td> <td>1/2</td> <td>2900</td> <td>1\"/&gt;  <tr> <td>U-49</td> <td>"</td> <td>"</td> <td>V-675</td> <td>122</td> <td>1/2</td> <td>2900</td> <td>1\"/&gt;  <tr> <td>U-50</td> <td>"</td> <td>"</td> <td>V-675</td> <td>122</td> <td>1/2</td> <td>2900</td> <td>1\"/&gt;  </td></tr></td></tr></td></tr>   | U-48 | " | " | V-675 | 122 | 1/2 | 2900 | 1\"/> <tr> <td>U-49</td> <td>"</td> <td>"</td> <td>V-675</td> <td>122</td> <td>1/2</td> <td>2900</td> <td>1\"/&gt;  <tr> <td>U-50</td> <td>"</td> <td>"</td> <td>V-675</td> <td>122</td> <td>1/2</td> <td>2900</td> <td>1\"/&gt;  </td></tr></td></tr>   | U-49 | " | " | V-675 | 122 | 1/2 | 2900 | 1\"/> <tr> <td>U-50</td> <td>"</td> <td>"</td> <td>V-675</td> <td>122</td> <td>1/2</td> <td>2900</td> <td>1\"/&gt;  </td></tr>  
  | U-50 | " | " | V-675 | 122 | 1/2 | 2900 | 1\"/>  |      |   |   |       |     |     |      |  |      |   |   |       |     |     |      |  |      |   |   |       |     |     |      |  |      |   |   |       |     |     |      |  |      |   |   |       |     |     |      |  |      |   |   |       |     |     |      |  
   |      |   |   |       |     |     |      |  |      |   |   |       |     |     |      |  |      |   |   |       |     |     |      |  |      |   |   |       |     |     |      |  |      |   |   |       |     |     |      |  |      |   |   |       |     |     |      |  |      |   |   |       |     |     |      |  |      |   |   |       |     |     |      |       |
| U-10 | "             | "                       | V-675    | 122  | 1/2           | 2900    | 1\"/> <tr> <td>U-11</td> <td>"</td> <td>"</td> <td>V-675</td> <td>122</td> <td>1/2</td> <td>2900</td> <td>1\"/&gt;  <tr> <td>U-12</td> <td>"</td> <td>"</td> <td>V-675</td> <td>122</td> <td>1/2</td> <td>2900</td> <td>1\"/&gt;  <tr> <td>U-13</td> <td>"</td> <td>"</td> <td>V-675</td> <td>122</td> <td>1/2</td> <td>2900</td> <td>1\"/&gt;  <tr> <td>U-14</td> <td>"</td> <td>"</td> <td>V-675</td> <td>122</td> <td>1/2</td> <td>2900</td> <td>1\"/&gt;  <tr> <td>U-15</td> <td>"</td> <td>"</td> <td>V-675</td> <td>122</td> <td>1/2</td> <td>2900</td> <td>1\"/&gt;  <tr> <td>U-16</td> <td>"</td> <td>"</td> <td>V-675</td> <td>122</td> <td>1/2</td> <td>2900</td> <td>1\"/&gt;  <tr> <td>U-17</td> <td>"</td> <td>"</td> <td>V-675</td> <td>122</td> <td>1/2</td> <td>2900</td> <td>1\"/&gt;  <tr> <td>U-18</td> <td>"</td> <td>"</td> <td>V-675</td> <td>122</td> <td>1/2</td> <td>2900</td> <td>1\"/&gt;  <tr> <td>U-19</td> <td>"</td> <td>"</td> <td>V-675</td> <td>122</td> <td>1/2</td> <td>2900</td> <td>1\"/&gt;  <tr> <td>U-20</td> <td>"</td> <td>"</td> <td>V-675</td> <td>122</td> <td>1/2</td> <td>2900</td> <td>1\"/&gt;  <tr> <td>U-21</td> <td>"</td> <td>"</td> <td>V-675</td> <td>122</td> <td>1/2</td> <td>2900</td> <td>1\"/&gt;  <tr> <td>U-22</td> <td>"</td> <td>"</td> <td>V-675</td> <td>122</td> <td>1/2</td> <td>2900</td> <td>1\"/&gt;  <tr> <td>U-23</td> <td>"</td> <td>"</td> <td>V-675</td> <td>122</td> <td>1/2</td> <td>2900</td> <td>1\"/&gt;  <tr> <td>U-24</td> <td>"</td> <td>"</td> <td>V-675</td> <td>122</td> <td>1/2</td> <td>2900</td> <td>1\"/&gt;  <tr> <td>U-25</td> <td>"</td> <td>"</td> <td>V-675</td> <td>122</td> <td>1/2</td> <td>2900</td> <td>1\"/&gt;  <tr> <td>U-26</td> <td>"</td> <td>"</td> <td>V-675</td> <td>122</td> <td>1/2</td> <td>2900</td> <td>1\"/&gt;  <tr> <td>U-27</td> <td>"</td> <td>"</td> <td>V-675</td> <td>122</td> <td>1/2</td> <td>2900</td> <td>1\"/&gt;  <tr> <td>U-28</td> <td>"</td> <td>"</td> <td>V-675</td> <td>122</td> <td>1/2</td> <td>2900</td> <td>1\"/&gt;  <tr> <td>U-29</td> <td>"</td> <td>"</td> <td>V-675</td> <td>122</td> <td>1/2</td> <td>2900</td> <td>1\"/&gt;  <tr> <td>U-30</td> <td>"</td> <td>"</td> <td>V-675</td> <td>122</td> <td>1/2</td> <td>2900</td> <td>1\"/&gt;  <tr> <td>U-31</td> <td>"</td> <td>"</td> <td>V-675</td> <td>122</td> <td>1/2</td> <td>2900</td> <td>1\"/&gt;  <tr> <td>U-32</td> <td>"</td> <td>"</td> <td>V-675</td> <td>122</td> <td>1/2</td> <td>2900</td> <td>1\"/&gt;  <tr> <td>U-33</td> <td>"</td> <td>"</td> <td>V-675</td> <td>122</td> <td>1/2</td> <td>2900</td> <td>1\"/&gt;  <tr> <td>U-34</td> <td>"</td> <td>"</td> <td>V-675</td> <td>122</td> <td>1/2</td> <td>2900</td> <td>1\"/&gt;  <tr> <td>U-35</td> <td>"</td> <td>"</td> <td>V-675</td> <td>122</td> <td>1/2</td> <td>2900</td> <td>1\"/&gt;  <tr> <td>U-36</td> <td>"</td> <td>"</td> <td>V-675</td> <td>122</td> <td>1/2</td> <td>2900</td> <td>1\"/&gt;  <tr> <td>U-37</td> <td>"</td> <td>"</td> <td>V-675</td> <td>122</td> <td>1/2</td> <td>2900</td> <td>1\"/&gt;  <tr> <td>U-38</td> <td>"</td> <td>"</td> <td>V-675</td> <td>122</td> <td>1/2</td> <td>2900</td> <td>1\"/&gt;  <tr> <td>U-39</td> <td>"</td> <td>"</td> <td>V-675</td> <td>122</td> <td>1/2</td> <td>2900</td> <td>1\"/&gt;  <tr> <td>U-40</td> <td>"</td> <td>"</td> <td>V-675</td> <td>122</td> <td>1/2</td> <td>2900</td> <td>1\"/&gt;  <tr> <td>U-41</td> <td>"</td> <td>"</td> <td>V-675</td> <td>122</td> <td>1/2</td> <td>2900</td> <td>1\"/&gt;  <tr> <td>U-42</td> <td>"</td> <td>"</td> <td>V-675</td> <td>122</td> <td>1/2</td> <td>2900</td> <td>1\"/&gt;  <tr> <td>U-43</td> <td>"</td> <td>"</td> <td>V-675</td> <td>122</td> <td>1/2</td> <td>2900</td> <td>1\"/&gt;  <tr> <td>U-44</td> <td>"</td> <td>"</td> <td>V-675</td> <td>122</td> <td>1/2</td> <td>2900</td> <td>1\"/&gt;  <tr> <td>U-45</td> <td>"</td> <td>"</td> <td>V-675</td> <td>122</td> <td>1/2</td> <td>2900</td> <td>1\"/&gt;  <tr> <td>U-46</td> <td>"</td> <td>"</td> <td>V-675</td> <td>122</td> <td>1/2</td> <td>2900</td> <td>1\"/&gt;  <tr> <td>U-47</td> <td>"</td> <td>"</td> <td>V-675</td> <td>122</td> <td>1/2</td> <td>2900</td> <td>1\"/&gt;  <tr> <td>U-48</td> <td>"</td> <td>"</td> <td>V-675</td> <td>122</td> <td>1/2</td> <td>2900</td> <td>1\"/&gt;  <tr> <td>U-49</td> <td>"</td> <td>"</td> <td>V-675</td> <td>122</td> <td>1/2</td> <td>2900</td> <td>1\"/&gt;  <tr> <td>U-50</td> <td>"</td> <td>"</td> <td>V-675</td> <td>122</td> <td>1/2</td> <td>2900</td> <td>1\"/&gt;  </td></tr></td></tr></td></tr></td></tr></td></tr></td></tr></td></tr></td></tr></td></tr></td></tr></td></tr></td></tr></td></tr></td></tr></td></tr></td></tr></td></tr></td></tr></td></tr></td></tr></td></tr></td></tr></td></tr></td></tr></td></tr></td></tr></td></tr></td></tr></td></tr></td></tr></td></tr></td></tr></td></tr></td></tr></td></tr></td></tr></td></tr></td></tr></td></tr></td></tr>  | U-11 | " | " | V-675  | 122  | 1/2 | 2900   | 1\"/> <tr> <td>U-12</td> <td>"</td> <td>"</td> <td>V-675</td> <td>122</td> <td>1/2</td> <td>2900</td> <td>1\"/&gt;  <tr> <td>U-13</td> <td>"</td> <td>"</td> <td>V-675</td> <td>122</td> <td>1/2</td> <td>2900</td> <td>1\"/&gt;  <tr> <td>U-14</td> <td>"</td> <td>"</td> <td>V-675</td> <td>122</td> <td>1/2</td> <td>2900</td> <td>1\"/&gt;  <tr> <td>U-15</td> <td>"</td> <td>"</td> <td>V-675</td> <td>122</td> <td>1/2</td> <td>2900</td> <td>1\"/&gt;  <tr> <td>U-16</td> <td>"</td> <td>"</td> <td>V-675</td> <td>122</td> <td>1/2</td> <td>2900</td> <td>1\"/&gt;  <tr> <td>U-17</td> <td>"</td> <td>"</td> <td>V-675</td> <td>122</td> <td>1/2</td> <td>2900</td> <td>1\"/&gt;  <tr> <td>U-18</td> <td>"</td> <td>"</td> <td>V-675</td> <td>122</td> <td>1/2</td> <td>2900</td> <td>1\"/&gt;  <tr> <td>U-19</td> <td>"</td> <td>"</td> <td>V-675</td> <td>122</td> <td>1/2</td> <td>2900</td> <td>1\"/&gt;  <tr> <td>U-20</td> <td>"</td> <td>"</td> <td>V-675</td> <td>122</td> <td>1/2</td> <td>2900</td> <td>1\"/&gt;  <tr> <td>U-21</td> <td>"</td> <td>"</td> <td>V-675</td> <td>122</td> <td>1/2</td> <td>2900</td> <td>1\"/&gt;  <tr> <td>U-22</td> <td>"</td> <td>"</td> <td>V-675</td> <td>122</td> <td>1/2</td> <td>2900</td> <td>1\"/&gt;  <tr> <td>U-23</td> <td>"</td> <td>"</td> <td>V-675</td> <td>122</td> <td>1/2</td> <td>2900</td> <td>1\"/&gt;  <tr> <td>U-24</td> <td>"</td> <td>"</td> <td>V-675</td> <td>122</td> <td>1/2</td> <td>2900</td> <td>1\"/&gt;  <tr> <td>U-25</td> <td>"</td> <td>"</td> <td>V-675</td> <td>122</td> <td>1/2</td> <td>2900</td> <td>1\"/&gt;  <tr> <td>U-26</td> <td>"</td> <td>"</td> <td>V-675</td> <td>122</td> <td>1/2</td> <td>2900</td> <td>1\"/&gt;  <tr> <td>U-27</td> <td>"</td> <td>"</td> <td>V-675</td> <td>122</td> <td>1/2</td> <td>2900</td> <td>1\"/&gt;  <tr> <td>U-28</td> <td>"</td> <td>"</td> <td>V-675</td> <td>122</td> <td>1/2</td> <td>2900</td> <td>1\"/&gt;  <tr> <td>U-29</td> <td>"</td> <td>"</td> <td>V-675</td> <td>122</td> <td>1/2</td> <td>2900</td> <td>1\"/&gt;  <tr> <td>U-30</td> <td>"</td> <td>"</td> <td>V-675</td> <td>122</td> <td>1/2</td> <td>2900</td> <td>1\"/&gt;  <tr> <td>U-31</td> <td>"</td> <td>"</td> <td>V-675</td> <td>122</td> <td>1/2</td> <td>2900</td> <td>1\"/&gt;  <tr> <td>U-32</td> <td>"</td> <td>"</td> <td>V-675</td> <td>122</td> <td>1/2</td> <td>2900</td> <td>1\"/&gt;  <tr> <td>U-33</td> <td>"</td> <td>"</td> <td>V-675</td> <td>122</td> <td>1/2</td> <td>2900</td> <td>1\"/&gt;  <tr> <td>U-34</td> <td>"</td> <td>"</td> <td>V-675</td> <td>122</td> <td>1/2</td> <td>2900</td> <td>1\"/&gt;  <tr> <td>U-35</td> <td>"</td> <td>"</td> <td>V-675</td> <td>122</td> <td>1/2</td> <td>2900</td> <td>1\"/&gt;  <tr> <td>U-36</td> <td>"</td> <td>"</td> <td>V-675</td> <td>122</td> <td>1/2</td> <td>2900</td> <td>1\"/&gt;  <tr> <td>U-37</td> <td>"</td> <td>"</td> <td>V-675</td> <td>122</td> <td>1/2</td> <td>2900</td> <td>1\"/&gt;  <tr> <td>U-38</td> <td>"</td> <td>"</td> <td>V-675</td> <td>122</td> <td>1/2</td> <td>2900</td> <td>1\"/&gt;  <tr> <td>U-39</td> <td>"</td> <td>"</td> <td>V-675</td> <td>122</td> <td>1/2</td> <td>2900</td> <td>1\"/&gt;  <tr> <td>U-40</td> <td>"</td> <td>"</td> <td>V-675</td> <td>122</td> <td>1/2</td> <td>2900</td> <td>1\"/&gt;  <tr> <td>U-41</td> <td>"</td> <td>"</td> <td>V-675</td> <td>122</td> <td>1/2</td> <td>2900</td> <td>1\"/&gt; 
<tr> <td>U-42</td> <td>"</td> <td>"</td> <td>V-675</td> <td>122</td> <td>1/2</td> <td>2900</td> <td>1\"/&gt;  <tr> <td>U-43</td> <td>"</td> <td>"</td> <td>V-675</td> <td>122</td> <td>1/2</td> <td>2900</td> <td>1\"/&gt;  <tr> <td>U-44</td> <td>"</td> <td>"</td> <td>V-675</td> <td>122</td> <td>1/2</td> <td>2900</td> <td>1\"/&gt;  <tr> <td>U-45</td> <td>"</td> <td>"</td> <td>V-675</td> <td>122</td> <td>1/2</td> <td>2900</td> <td>1\"/&gt;  <tr> <td>U-46</td> <td>"</td> <td>"</td> <td>V-675</td> <td>122</td> <td>1/2</td> <td>2900</td> <td>1\"/&gt;  <tr> <td>U-47</td> <td>"</td> <td>"</td> <td>V-675</td> <td>122</td> <td>1/2</td> <td>2900</td> <td>1\"/&gt;  <tr> <td>U-48</td> <td>"</td> <td>"</td> <td>V-675</td> <td>122</td> <td>1/2</td> <td>2900</td> <td>1\"/&gt;  <tr> <td>U-49</td> <td>"</td> <td>"</td> <td>V-675</td> <td>122</td> <td>1/2</td> <td>2900</td> <td>1\"/&gt;  <tr> <td>U-50</td> <td>"</td> <td>"</td> <td>V-675</td> <td>122</td> <td>1/2</td> <td>2900</td> <td>1\"/&gt;  </td></tr></td></tr></td></tr></td></tr></td></tr></td></tr></td></tr></td></tr></td></tr></td></tr></td></tr></td></tr></td></tr></td></tr></td></tr></td></tr></td></tr></td></tr></td></tr></td></tr></td></tr></td></tr></td></tr></td></tr></td></tr></td></tr></td></tr></td></tr></td></tr></td></tr></td></tr></td></tr></td></tr></td></tr></td></tr></td></tr></td></tr></td></tr></td></tr>   | U-12 | " | " | V-675  | 122 | 1/2 | 2900   | 1\"/> <tr> <td>U-13</td> <td>"</td> <td>"</td> <td>V-675</td> <td>122</td> <td>1/2</td> <td>2900</td> <td>1\"/&gt;  <tr> <td>U-14</td> <td>"</td> <td>"</td> <td>V-675</td> <td>122</td> <td>1/2</td> <td>2900</td> <td>1\"/&gt;  <tr> <td>U-15</td> <td>"</td> <td>"</td> <td>V-675</td> <td>122</td> <td>1/2</td> <td>2900</td> <td>1\"/&gt;  <tr> <td>U-16</td> <td>"</td> <td>"</td> <td>V-675</td> <td>122</td> <td>1/2</td> <td>2900</td> <td>1\"/&gt;  <tr> <td>U-17</td> <td>"</td> <td>"</td> <td>V-675</td> <td>122</td> <td>1/2</td> <td>2900</td> <td>1\"/&gt;  <tr> <td>U-18</td> <td>"</td> <td>"</td> <td>V-675</td> <td>122</td> <td>1/2</td> <td>2900</td> <td>1\"/&gt;  <tr> <td>U-19</td> <td>"</td> <td>"</td> <td>V-675</td> <td>122</td> <td>1/2</td> <td>2900</td> <td>1\"/&gt;  <tr> <td>U-20</td> <td>"</td> <td>"</td> <td>V-675</td> <td>122</td> <td>1/2</td> <td>2900</td> <td>1\"/&gt;  <tr> <td>U-21</td> <td>"</td> <td>"</td> <td>V-675</td> <td>122</td> <td>1/2</td> <td>2900</td> <td>1\"/&gt;  <tr> <td>U-22</td> <td>"</td> <td>"</td> <td>V-675</td> <td>122</td> <td>1/2</td> <td>2900</td> <td>1\"/&gt;  <tr> <td>U-23</td> <td>"</td> <td>"</td> <td>V-675</td> <td>122</td> <td>1/2</td> <td>2900</td> <td>1\"/&gt;  <tr> <td>U-24</td> <td>"</td> <td>"</td> <td>V-675</td> <td>122</td> <td>1/2</td> <td>2900</td> <td>1\"/&gt;  <tr> <td>U-25</td> <td>"</td> <td>"</td> <td>V-675</td> <td>122</td> <td>1/2</td> <td>2900</td> <td>1\"/&gt;  <tr> <td>U-26</td> <td>"</td> <td>"</td> <td>V-675</td> <td>122</td> <td>1/2</td> <td>2900</td> <td>1\"/&gt;  <tr> <td>U-27</td> <td>"</td> <td>"</td> <td>V-675</td> <td>122</td> <td>1/2</td> <td>2900</td> <td>1\"/&gt;  <tr> <td>U-28</td> <td>"</td> <td>"</td> <td>V-675</td> <td>122</td> <td>1/2</td> <td>2900</td> <td>1\"/&gt;  <tr> <td>U-29</td> <td>"</td> <td>"</td> <td>V-675</td> <td>122</td> <td>1/2</td> <td>2900</td> <td>1\"/&gt;  <tr> <td>U-30</td> <td>"</td> <td>"</td> <td>V-675</td> <td>122</td> <td>1/2</td> <td>2900</td> <td>1\"/&gt;  <tr> <td>U-31</td> <td>"</td> <td>"</td> <td>V-675</td> <td>122</td> <td>1/2</td> <td>2900</td> <td>1\"/&gt;  <tr> <td>U-32</td> <td>"</td> <td>"</td> <td>V-675</td> <td>122</td> <td>1/2</td> <td>2900</td> <td>1\"/&gt;  <tr> <td>U-33</td> <td>"</td> <td>"</td> <td>V-675</td> <td>122</td> <td>1/2</td> <td>2900</td> <td>1\"/&gt;  <tr> <td>U-34</td> <td>"</td> <td>"</td> <td>V-675</td> <td>122</td> <td>1/2</td> <td>2900</td> <td>1\"/&gt;  <tr> <td>U-35</td> <td>"</td> <td>"</td> <td>V-675</td> <td>122</td> <td>1/2</td> <td>2900</td> <td>1\"/&gt;  <tr> <td>U-36</td> <td>"</td> <td>"</td> <td>V-675</td> <td>122</td> <td>1/2</td> <td>2900</td> <td>1\"/&gt;  <tr> <td>U-37</td> <td>"</td> <td>"</td> <td>V-675</td> <td>122</td> <td>1/2</td> <td>2900</td> <td>1\"/&gt;  <tr> <td>U-38</td> <td>"</td> <td>"</td> <td>V-675</td> <td>122</td> <td>1/2</td> <td>2900</td> <td>1\"/&gt;  <tr> <td>U-39</td> <td>"</td> <td>"</td> <td>V-675</td> <td>122</td> <td>1/2</td> <td>2900</td> <td>1\"/&gt;  <tr> <td>U-40</td> <td>"</td> <td>"</td> <td>V-675</td> <td>122</td> <td>1/2</td> <td>2900</td> <td>1\"/&gt;  <tr> <td>U-41</td> <td>"</td> <td>"</td> <td>V-675</td> <td>122</td> <td>1/2</td> <td>2900</td> <td>1\"/&gt;  <tr> <td>U-42</td> <td>"</td> <td>"</td> <td>V-675</td> <td>122</td> <td>1/2</td> <td>2900</td> <td>1\"/&gt;  <tr> <td>U-43</td> <td>"</td> <td>"</td> <td>V-675</td> <td>122</td> <td>1/2</td> <td>2900</td> <td>1\"/&gt;  <tr> <td>U-44</td> <td>"</td> <td>"</td> <td>V-675</td> <td>122</td> <td>1/2</td> <td>2900</td> <td>1\"/&gt;  <tr> <td>U-45</td> <td>"</td> <td>"</td> <td>V-675</td> <td>122</td> <td>1/2</td> <td>2900</td> <td>1\"/&gt;  <tr> <td>U-46</td> <td>"</td> <td>"</td> <td>V-675</td> <td>122</td> <td>1/2</td> <td>2900</td> <td>1\"/&gt;  <tr> <td>U-47</td> <td>"</td> <td>"</td> <td>V-675</td> <td>122</td> <td>1/2</td> <td>2900</td> <td>1\"/&gt;  <tr> <td>U-48</td> <td>"</td> <td>"</td> <td>V-675</td> <td>122</td> <td>1/2</td> <td>2900</td> <td>1\"/&gt;  <tr> <td>U-49</td> <td>"</td> <td>"</td> <td>V-675</td> <td>122</td> <td>1/2</td> <td>2900</td> <td>1\"/&gt;  <tr> <td>U-50</td> <td>"</td> <td>"</td> <td>V-675</td> <td>122</td> <td>1/2</td> <td>2900</td> <td>1\"/&gt;  </td></tr></td></tr></td></tr></td></tr></td></tr></td></tr></td></tr></td></tr></td></tr></td></tr></td></tr></td></tr></td></tr></td></tr></td></tr></td></tr></td></tr></td></tr></td></tr></td></tr></td></tr></td></tr></td></tr></td></tr></td></tr></td></tr></td></tr></td></tr></td></tr></td></tr></td></tr></td></tr></td></tr></td></tr></td></tr></td></tr></td></tr></td></tr>   | U-13 | " | " | V-675 | 122 | 1/2 | 2900    | 1\"/> <tr> <td>U-14</td> <td>"</td> <td>"</td> <td>V-675</td> <td>122</td> <td>1/2</td> <td>2900</td> <td>1\"/&gt;  <tr> <td>U-15</td> <td>"</td> <td>"</td> <td>V-675</td> <td>122</td> <td>1/2</td> <td>2900</td> <td>1\"/&gt;  <tr> <td>U-16</td> <td>"</td> <td>"</td> <td>V-675</td> <td>122</td> <td>1/2</td> <td>2900</td> <td>1\"/&gt;  <tr> <td>U-17</td> <td>"</td> <td>"</td> <td>V-675</td> <td>122</td> <td>1/2</td> <td>2900</td> <td>1\"/&gt;  <tr> <td>U-18</td> <td>"</td> <td>"</td> <td>V-675</td> <td>122</td> <td>1/2</td> <td>2900</td> <td>1\"/&gt;  <tr> <td>U-19</td> <td>"</td> <td>"</td> <td>V-675</td> <td>122</td> <td>1/2</td> <td>2900</td> <td>1\"/&gt;  <tr> <td>U-20</td> <td>"</td> <td>"</td> <td>V-675</td> <td>122</td> <td>1/2</td> <td>2900</td> <td>1\"/&gt;  <tr> <td>U-21</td> <td>"</td> <td>"</td> <td>V-675</td> <td>122</td> <td>1/2</td> <td>2900</td> <td>1\"/&gt;  <tr> <td>U-22</td> <td>"</td> <td>"</td> <td>V-675</td> <td>122</td> <td>1/2</td> <td>2900</td> <td>1\"/&gt;  <tr> <td>U-23</td> <td>"</td> <td>"</td> <td>V-675</td> <td>122</td> <td>1/2</td> <td>2900</td> <td>1\"/&gt;  <tr> <td>U-24</td> <td>"</td> <td>"</td> <td>V-675</td> <td>122</td> <td>1/2</td> <td>2900</td> <td>1\"/&gt;  <tr> <td>U-25</td> <td>"</td> <td>"</td> <td>V-675</td> <td>122</td> <td>1/2</td> <td>2900</td> <td>1\"/&gt;  <tr> <td>U-26</td> <td>"</td> <td>"</td> <td>V-675</td> <td>122</td> <td>1/2</td> <td>2900</td> <td>1\"/&gt;  <tr> <td>U-27</td> <td>"</td> <td>"</td> <td>V-675</td> <td>122</td> <td>1/2</td> <td>2900</td> <td>1\"/&gt;  <tr> <td>U-28</td> <td>"</td> <td>"</td> <td>V-675</td> <td>122</td> <td>1/2</td> <td>2900</td> <td>1\"/&gt;  <tr> <td>U-29</td> <td>"</td> <td>"</td> <td>V-675</td> <td>122</td> <td>1/2</td> <td>2900</td> <td>1\"/&gt;  <tr> <td>U-30</td> <td>"</td> <td>"</td>
<td>V-675</td> <td>122</td> <td>1/2</td> <td>2900</td> <td>1\"/&gt;  <tr> <td>U-31</td> <td>"</td> <td>"</td> <td>V-675</td> <td>122</td> <td>1/2</td> <td>2900</td> <td>1\"/&gt;  <tr> <td>U-32</td> <td>"</td> <td>"</td> <td>V-675</td> <td>122</td> <td>1/2</td> <td>2900</td> <td>1\"/&gt;  <tr> <td>U-33</td> <td>"</td> <td>"</td> <td>V-675</td> <td>122</td> <td>1/2</td> <td>2900</td> <td>1\"/&gt;  <tr> <td>U-34</td> <td>"</td> <td>"</td> <td>V-675</td> <td>122</td> <td>1/2</td> <td>2900</td> <td>1\"/&gt;  <tr> <td>U-35</td> <td>"</td> <td>"</td> <td>V-675</td> <td>122</td> <td>1/2</td> <td>2900</td> <td>1\"/&gt;  <tr> <td>U-36</td> <td>"</td> <td>"</td> <td>V-675</td> <td>122</td> <td>1/2</td> <td>2900</td> <td>1\"/&gt;  <tr> <td>U-37</td> <td>"</td> <td>"</td> <td>V-675</td> <td>122</td> <td>1/2</td> <td>2900</td> <td>1\"/&gt;  <tr> <td>U-38</td> <td>"</td> <td>"</td> <td>V-675</td> <td>122</td> <td>1/2</td> <td>2900</td> <td>1\"/&gt;  <tr> <td>U-39</td> <td>"</td> <td>"</td> <td>V-675</td> <td>122</td> <td>1/2</td> <td>2900</td> <td>1\"/&gt;  <tr> <td>U-40</td> <td>"</td> <td>"</td> <td>V-675</td> <td>122</td> <td>1/2</td> <td>2900</td> <td>1\"/&gt;  <tr> <td>U-41</td> <td>"</td> <td>"</td> <td>V-675</td> <td>122</td> <td>1/2</td> <td>2900</td> <td>1\"/&gt;  <tr> <td>U-42</td> <td>"</td> <td>"</td> <td>V-675</td> <td>122</td> <td>1/2</td> <td>2900</td> <td>1\"/&gt;  <tr> <td>U-43</td> <td>"</td> <td>"</td> <td>V-675</td> <td>122</td> <td>1/2</td> <td>2900</td> <td>1\"/&gt;  <tr> <td>U-44</td> <td>"</td> <td>"</td> <td>V-675</td> <td>122</td> <td>1/2</td> <td>2900</td> <td>1\"/&gt;  <tr> <td>U-45</td> <td>"</td> <td>"</td> <td>V-675</td> <td>122</td> <td>1/2</td> <td>2900</td> <td>1\"/&gt;  <tr> <td>U-46</td> <td>"</td> <td>"</td> <td>V-675</td> <td>122</td> <td>1/2</td> <td>2900</td> <td>1\"/&gt;  <tr> <td>U-47</td> <td>"</td> <td>"</td> <td>V-675</td> <td>122</td> <td>1/2</td> <td>2900</td> <td>1\"/&gt;  <tr> <td>U-48</td> <td>"</td> <td>"</td> <td>V-675</td> <td>122</td> <td>1/2</td> <td>2900</td> <td>1\"/&gt;  <tr> <td>U-49</td> <td>"</td> <td>"</td> <td>V-675</td> <td>122</td> <td>1/2</td> <td>2900</td> <td>1\"/&gt;  <tr> <td>U-50</td> <td>"</td> <td>"</td> <td>V-675</td> <td>122</td> <td>1/2</td> <td>2900</td> <td>1\"/&gt;  </td></tr></td></tr></td></tr></td></tr></td></tr></td></tr></td></tr></td></tr></td></tr></td></tr></td></tr></td></tr></td></tr></td></tr></td></tr></td></tr></td></tr></td></tr></td></tr></td></tr></td></tr></td></tr></td></tr></td></tr></td></tr></td></tr></td></tr></td></tr></td></tr></td></tr></td></tr></td></tr></td></tr></td></tr></td></tr></td></tr></td></tr>  | U-14 | " | " | V-675 | 122 | 1/2 | 2900   | 1\"/> <tr> <td>U-15</td> <td>"</td> <td>"</td> <td>V-675</td> <td>122</td> <td>1/2</td> <td>2900</td> <td>1\"/&gt;  <tr> <td>U-16</td> <td>"</td> <td>"</td> <td>V-675</td> <td>122</td> <td>1/2</td> <td>2900</td> <td>1\"/&gt;  <tr> <td>U-17</td> <td>"</td> <td>"</td> <td>V-675</td> <td>122</td> <td>1/2</td> <td>2900</td> <td>1\"/&gt;  <tr> <td>U-18</td> <td>"</td> <td>"</td> <td>V-675</td> <td>122</td> <td>1/2</td> <td>2900</td> <td>1\"/&gt;  <tr> <td>U-19</td> <td>"</td> <td>"</td> <td>V-675</td> <td>122</td> <td>1/2</td> <td>2900</td> <td>1\"/&gt;  <tr> <td>U-20</td> <td>"</td> <td>"</td> <td>V-675</td> <td>122</td> <td>1/2</td> <td>2900</td> <td>1\"/&gt;  <tr> <td>U-21</td> <td>"</td> <td>"</td> <td>V-675</td> <td>122</td> <td>1/2</td> <td>2900</td> <td>1\"/&gt;  <tr> <td>U-22</td> <td>"</td> <td>"</td> <td>V-675</td> <td>122</td> <td>1/2</td> <td>2900</td> <td>1\"/&gt;  <tr> <td>U-23</td> <td>"</td> <td>"</td> <td>V-675</td> <td>122</td> <td>1/2</td> <td>2900</td> <td>1\"/&gt;  <tr> <td>U-24</td> <td>"</td> <td>"</td> <td>V-675</td> <td>122</td> <td>1/2</td> <td>2900</td> <td>1\"/&gt;  <tr> <td>U-25</td> <td>"</td> <td>"</td> <td>V-675</td> <td>122</td> <td>1/2</td> <td>2900</td> <td>1\"/&gt;  <tr> <td>U-26</td> <td>"</td> <td>"</td> <td>V-675</td> <td>122</td> <td>1/2</td> <td>2900</td> <td>1\"/&gt;  <tr> <td>U-27</td> <td>"</td> <td>"</td> <td>V-675</td> <td>122</td> <td>1/2</td> <td>2900</td> <td>1\"/&gt;  <tr> <td>U-28</td> <td>"</td> <td>"</td> <td>V-675</td> <td>122</td> <td>1/2</td> <td>2900</td> <td>1\"/&gt;  <tr> <td>U-29</td> <td>"</td> <td>"</td> <td>V-675</td> <td>122</td> <td>1/2</td> <td>2900</td> <td>1\"/&gt;  <tr> <td>U-30</td> <td>"</td> <td>"</td> <td>V-675</td> <td>122</td> <td>1/2</td> <td>2900</td> <td>1\"/&gt;  <tr> <td>U-31</td> <td>"</td> <td>"</td> <td>V-675</td> <td>122</td> <td>1/2</td> <td>2900</td> <td>1\"/&gt;  <tr> <td>U-32</td> <td>"</td> <td>"</td> <td>V-675</td> <td>122</td> <td>1/2</td> <td>2900</td> <td>1\"/&gt;  <tr> <td>U-33</td> <td>"</td> <td>"</td> <td>V-675</td> <td>122</td> <td>1/2</td> <td>2900</td> <td>1\"/&gt;  <tr> <td>U-34</td> <td>"</td> <td>"</td> <td>V-675</td> <td>122</td> <td>1/2</td> <td>2900</td> <td>1\"/&gt;  <tr> <td>U-35</td> <td>"</td> <td>"</td> <td>V-675</td> <td>122</td> <td>1/2</td> <td>2900</td> <td>1\"/&gt;  <tr> <td>U-36</td> <td>"</td> <td>"</td> <td>V-675</td> <td>122</td> <td>1/2</td> <td>2900</td> <td>1\"/&gt;  <tr> <td>U-37</td> <td>"</td> <td>"</td> <td>V-675</td> <td>122</td> <td>1/2</td> <td>2900</td> <td>1\"/&gt;  <tr> <td>U-38</td> <td>"</td> <td>"</td> <td>V-675</td> <td>122</td> <td>1/2</td> <td>2900</td> <td>1\"/&gt;  <tr> <td>U-39</td> <td>"</td> <td>"</td> <td>V-675</td> <td>122</td> <td>1/2</td> <td>2900</td> <td>1\"/&gt;  <tr> <td>U-40</td> <td>"</td> <td>"</td> <td>V-675</td> <td>122</td> <td>1/2</td> <td>2900</td> <td>1\"/&gt;  <tr> <td>U-41</td> <td>"</td> <td>"</td> <td>V-675</td> <td>122</td> <td>1/2</td> <td>2900</td> <td>1\"/&gt;  <tr> <td>U-42</td> <td>"</td> <td>"</td> <td>V-675</td> <td>122</td> <td>1/2</td> <td>2900</td> <td>1\"/&gt;  <tr> <td>U-43</td> <td>"</td> <td>"</td> <td>V-675</td> <td>122</td> <td>1/2</td> <td>2900</td> <td>1\"/&gt;  <tr> <td>U-44</td> <td>"</td> <td>"</td> <td>V-675</td> <td>122</td> <td>1/2</td> <td>2900</td> <td>1\"/&gt;  <tr> <td>U-45</td> <td>"</td> <td>"</td> <td>V-675</td> <td>122</td> <td>1/2</td> <td>2900</td> <td>1\"/&gt;  <tr> <td>U-46</td> <td>"</td> <td>"</td> <td>V-675</td> <td>122</td> <td>1/2</td> <td>2900</td> <td>1\"/&gt;  <tr> <td>U-47</td> <td>"</td> <td>"</td> <td>V-675</td> <td>122</td> <td>1/2</td> <td>2900</td> <td>1\"/&gt;  <tr> <td>U-48</td> <td>"</td> <td>"</td> <td>V-675</td> <td>122</td> <td>1/2</td> <td>2900</td> <td>1\"/&gt;  <tr> <td>U-49</td> <td>"</td> <td>"</td> <td>V-675</td> <td>122</td> <td>1/2</td> <td>2900</td> <td>1\"/&gt;  <tr> <td>U-50</td> <td>"</td> <td>"</td> <td>V-675</td> <td>122</td> <td>1/2</td> <td>2900</td> <td>1\"/&gt;  </td></tr></td></tr></td></tr></td></tr></td></tr></td></tr></td></tr></td></tr></td></tr></td></tr></td></tr></td></tr></td></tr></td></tr></td></tr></td></tr></td></tr></td></tr></td></tr></td></tr></td></tr></td></tr></td></tr></td></tr></td></tr></td></tr></td></tr></td></tr></td></tr></td></tr></td></tr></td></tr></td></tr></td></tr></td></tr></td></tr>   | U-15 | " | " | V-675 | 122 | 1/2 | 2900    | 1\"/> <tr> <td>U-16</td> <td>"</td> <td>"</td> <td>V-675</td> <td>122</td> <td>1/2</td> <td>2900</td> <td>1\"/&gt;  <tr> <td>U-17</td> <td>"</td> <td>"</td> <td>V-675</td> <td>122</td> <td>1/2</td> <td>2900</td> <td>1\"/&gt;  <tr> <td>U-18</td> <td>"</td> <td>"</td> <td>V-675</td> <td>122</td> <td>1/2</td> <td>2900</td> <td>1\"/&gt;  <tr> <td>U-19</td> <td>"</td> <td>"</td> <td>V-675</td> <td>122</td> <td>1/2</td> <td>2900</td> <td>1\"/&gt;  <tr> <td>U-20</td> <td>"</td> <td>"</td> <td>V-675</td> <td>122</td> <td>1/2</td> <td>2900</td> <td>1\"/&gt;  <tr> <td>U-21</td> <td>"</td> <td>"</td> <td>V-675</td> <td>122</td> <td>1/2</td> <td>2900</td> <td>1\"/&gt;  <tr> <td>U-22</td> <td>"</td> <td>"</td> <td>V-675</td> <td>122</td> <td>1/2</td> <td>2900</td> <td>1\"/&gt;  <tr>
<td>U-23</td> <td>"</td> <td>"</td> <td>V-675</td> <td>122</td> <td>1/2</td> <td>2900</td> <td>1\"/&gt;  <tr> <td>U-24</td> <td>"</td> <td>"</td> <td>V-675</td> <td>122</td> <td>1/2</td> <td>2900</td> <td>1\"/&gt;  <tr> <td>U-25</td> <td>"</td> <td>"</td> <td>V-675</td> <td>122</td> <td>1/2</td> <td>2900</td> <td>1\"/&gt;  <tr> <td>U-26</td> <td>"</td> <td>"</td> <td>V-675</td> <td>122</td> <td>1/2</td> <td>2900</td> <td>1\"/&gt;  <tr> <td>U-27</td> <td>"</td> <td>"</td> <td>V-675</td> <td>122</td> <td>1/2</td> <td>2900</td> <td>1\"/&gt;  <tr> <td>U-28</td> <td>"</td> <td>"</td> <td>V-675</td> <td>122</td> <td>1/2</td> <td>2900</td> <td>1\"/&gt;  <tr> <td>U-29</td> <td>"</td> <td>"</td> <td>V-675</td> <td>122</td> <td>1/2</td> <td>2900</td> <td>1\"/&gt;  <tr> <td>U-30</td> <td>"</td> <td>"</td> <td>V-675</td> <td>122</td> <td>1/2</td> <td>2900</td> <td>1\"/&gt;  <tr> <td>U-31</td> <td>"</td> <td>"</td> <td>V-675</td> <td>122</td> <td>1/2</td> <td>2900</td> <td>1\"/&gt;  <tr> <td>U-32</td> <td>"</td> <td>"</td> <td>V-675</td> <td>122</td> <td>1/2</td> <td>2900</td> <td>1\"/&gt;  <tr> <td>U-33</td> <td>"</td> <td>"</td> <td>V-675</td> <td>122</td> <td>1/2</td> <td>2900</td> <td>1\"/&gt;  <tr> <td>U-34</td> <td>"</td> <td>"</td> <td>V-675</td> <td>122</td> <td>1/2</td> <td>2900</td> <td>1\"/&gt;  <tr> <td>U-35</td> <td>"</td> <td>"</td> <td>V-675</td> <td>122</td> <td>1/2</td> <td>2900</td> <td>1\"/&gt;  <tr> <td>U-36</td> <td>"</td> <td>"</td> <td>V-675</td> <td>122</td> <td>1/2</td> <td>2900</td> <td>1\"/&gt;  <tr> <td>U-37</td> <td>"</td> <td>"</td> <td>V-675</td> <td>122</td> <td>1/2</td> <td>2900</td> <td>1\"/&gt;  <tr> <td>U-38</td> <td>"</td> <td>"</td> <td>V-675</td> <td>122</td> <td>1/2</td> <td>2900</td> <td>1\"/&gt;  <tr> <td>U-39</td> <td>"</td> <td>"</td> <td>V-675</td> <td>122</td> <td>1/2</td> <td>2900</td> <td>1\"/&gt;  <tr> <td>U-40</td> <td>"</td> <td>"</td> <td>V-675</td> <td>122</td> <td>1/2</td> <td>2900</td> <td>1\"/&gt;  <tr> <td>U-41</td> <td>"</td> <td>"</td> <td>V-675</td> <td>122</td> <td>1/2</td> <td>2900</td> <td>1\"/&gt;  <tr> <td>U-42</td> <td>"</td> <td>"</td> <td>V-675</td> <td>122</td> <td>1/2</td> <td>2900</td> <td>1\"/&gt;  <tr> <td>U-43</td> <td>"</td> <td>"</td> <td>V-675</td> <td>122</td> <td>1/2</td> <td>2900</td> <td>1\"/&gt;  <tr> <td>U-44</td> <td>"</td> <td>"</td> <td>V-675</td> <td>122</td> <td>1/2</td> <td>2900</td> <td>1\"/&gt;  <tr> <td>U-45</td> <td>"</td> <td>"</td> <td>V-675</td> <td>122</td> <td>1/2</td> <td>2900</td> <td>1\"/&gt;  <tr> <td>U-46</td> <td>"</td> <td>"</td> <td>V-675</td> <td>122</td> <td>1/2</td> <td>2900</td> <td>1\"/&gt;  <tr> <td>U-47</td> <td>"</td> <td>"</td> <td>V-675</td> <td>122</td> <td>1/2</td> <td>2900</td> <td>1\"/&gt;  <tr> <td>U-48</td> <td>"</td> <td>"</td> <td>V-675</td> <td>122</td> <td>1/2</td> <td>2900</td> <td>1\"/&gt;  <tr> <td>U-49</td> <td>"</td> <td>"</td> <td>V-675</td> <td>122</td> <td>1/2</td> <td>2900</td> <td>1\"/&gt;  <tr> <td>U-50</td> <td>"</td> <td>"</td> <td>V-675</td> <td>122</td> <td>1/2</td> <td>2900</td> <td>1\"/&gt;  </td></tr></td></tr></td></tr></td></tr></td></tr></td></tr></td></tr></td></tr></td></tr></td></tr></td></tr></td></tr></td></tr></td></tr></td></tr></td></tr></td></tr></td></tr></td></tr></td></tr></td></tr></td></tr></td></tr></td></tr></td></tr></td></tr></td></tr></td></tr></td></tr></td></tr></td></tr></td></tr></td></tr></td></tr></td></tr>  | U-16 | "           | "      | V-675  | 122  | 1/2 | 2900 | 1\"/> <tr> <td>U-17</td> <td>"</td> <td>"</td> <td>V-675</td> <td>122</td> <td>1/2</td> <td>2900</td> <td>1\"/&gt;  <tr> <td>U-18</td> <td>"</td> <td>"</td> <td>V-675</td> <td>122</td> <td>1/2</td> <td>2900</td> <td>1\"/&gt;  <tr> <td>U-19</td> <td>"</td> <td>"</td> <td>V-675</td> <td>122</td> <td>1/2</td> <td>2900</td> <td>1\"/&gt;  <tr> <td>U-20</td> <td>"</td> <td>"</td> <td>V-675</td> <td>122</td> <td>1/2</td> <td>2900</td> <td>1\"/&gt;  <tr> <td>U-21</td> <td>"</td> <td>"</td> <td>V-675</td> <td>122</td> <td>1/2</td> <td>2900</td> <td>1\"/&gt;  <tr> <td>U-22</td> <td>"</td> <td>"</td> <td>V-675</td> <td>122</td> <td>1/2</td> <td>2900</td> <td>1\"/&gt;  <tr> <td>U-23</td> <td>"</td> <td>"</td> <td>V-675</td> <td>122</td> <td>1/2</td> <td>2900</td> <td>1\"/&gt;  <tr> <td>U-24</td> <td>"</td> <td>"</td> <td>V-675</td> <td>122</td> <td>1/2</td> <td>2900</td> <td>1\"/&gt;  <tr> <td>U-25</td> <td>"</td> <td>"</td> <td>V-675</td> <td>122</td> <td>1/2</td> <td>2900</td> <td>1\"/&gt;  <tr> <td>U-26</td> <td>"</td> <td>"</td> <td>V-675</td> <td>122</td> <td>1/2</td> <td>2900</td> <td>1\"/&gt;  <tr> <td>U-27</td> <td>"</td> <td>"</td> <td>V-675</td> <td>122</td> <td>1/2</td> <td>2900</td> <td>1\"/&gt;  <tr> <td>U-28</td> <td>"</td> <td>"</td> <td>V-675</td> <td>122</td> <td>1/2</td> <td>2900</td> <td>1\"/&gt;  <tr> <td>U-29</td> <td>"</td> <td>"</td> <td>V-675</td> <td>122</td> <td>1/2</td> <td>2900</td> <td>1\"/&gt;  <tr> <td>U-30</td> <td>"</td> <td>"</td> <td>V-675</td> <td>122</td> <td>1/2</td> <td>2900</td> <td>1\"/&gt;  <tr> <td>U-31</td> <td>"</td> <td>"</td> <td>V-675</td> <td>122</td> <td>1/2</td> <td>2900</td> <td>1\"/&gt;  <tr> <td>U-32</td> <td>"</td> <td>"</td> <td>V-675</td> <td>122</td> <td>1/2</td> <td>2900</td> <td>1\"/&gt;  <tr> <td>U-33</td> <td>"</td> <td>"</td> <td>V-675</td> <td>122</td> <td>1/2</td> <td>2900</td> <td>1\"/&gt;  <tr> <td>U-34</td> <td>"</td> <td>"</td> <td>V-675</td> <td>122</td> <td>1/2</td> <td>2900</td> <td>1\"/&gt;  <tr> <td>U-35</td> <td>"</td> <td>"</td> <td>V-675</td> <td>122</td> <td>1/2</td> <td>2900</td> <td>1\"/&gt;  <tr> <td>U-36</td> <td>"</td> <td>"</td> <td>V-675</td> <td>122</td> <td>1/2</td> <td>2900</td> <td>1\"/&gt;  <tr> <td>U-37</td> <td>"</td> <td>"</td> <td>V-675</td> <td>122</td> <td>1/2</td> <td>2900</td> <td>1\"/&gt;  <tr> <td>U-38</td> <td>"</td> <td>"</td> <td>V-675</td> <td>122</td> <td>1/2</td> <td>2900</td> <td>1\"/&gt;  <tr> <td>U-39</td> <td>"</td> <td>"</td> <td>V-675</td> <td>122</td> <td>1/2</td> <td>2900</td> <td>1\"/&gt;  <tr> <td>U-40</td> <td>"</td> <td>"</td> <td>V-675</td> <td>122</td> <td>1/2</td> <td>2900</td> <td>1\"/&gt;  <tr> <td>U-41</td> <td>"</td> <td>"</td> <td>V-675</td> <td>122</td> <td>1/2</td> <td>2900</td> <td>1\"/&gt;  <tr> <td>U-42</td> <td>"</td> <td>"</td> <td>V-675</td> <td>122</td> <td>1/2</td> <td>2900</td> <td>1\"/&gt;  <tr> <td>U-43</td> <td>"</td> <td>"</td> <td>V-675</td> <td>122</td> <td>1/2</td> <td>2900</td> <td>1\"/&gt;  <tr> <td>U-44</td> <td>"</td> <td>"</td> <td>V-675</td> <td>122</td> <td>1/2</td> <td>2900</td> <td>1\"/&gt;  <tr> <td>U-45</td> <td>"</td> <td>"</td> <td>V-675</td> <td>122</td> <td>1/2</td> <td>2900</td> <td>1\"/&gt;  <tr> <td>U-46</td> <td>"</td> <td>"</td> <td>V-675</td> <td>122</td> <td>1/2</td> <td>2900</td> <td>1\"/&gt;  <tr> <td>U-47</td> <td>"</td> <td>"</td> <td>V-675</td> <td>122</td> <td>1/2</td> <td>2900</td> <td>1\"/&gt;  <tr> <td>U-48</td> <td>"</td> <td>"</td> <td>V-675</td> <td>122</td> <td>1/2</td> <td>2900</td> <td>1\"/&gt;  <tr> <td>U-49</td> <td>"</td> <td>"</td> <td>V-675</td> <td>122</td> <td>1/2</td> <td>2900</td> <td>1\"/&gt;  <tr> <td>U-50</td> <td>"</td> <td>"</td> <td>V-675</td> <td>122</td> <td>1/2</td> <td>2900</td> <td>1\"/&gt;  </td></tr></td></tr></td></tr></td></tr></td></tr></td></tr></td></tr></td></tr></td></tr></td></tr></td></tr></td></tr></td></tr></td></tr></td></tr></td></tr></td></tr></td></tr></td></tr></td></tr></td></tr></td></tr></td></tr></td></tr></td></tr></td></tr></td></tr></td></tr></td></tr></td></tr></td></tr></td></tr></td></tr></td></tr>   
  | U-17 | " | " | V-675  | 122  | 1/2 | 2900 | 1\"/> <tr> <td>U-18</td> <td>"</td> <td>"</td> <td>V-675</td> <td>122</td> <td>1/2</td> <td>2900</td> <td>1\"/&gt;  <tr> <td>U-19</td> <td>"</td> <td>"</td> <td>V-675</td> <td>122</td> <td>1/2</td> <td>2900</td> <td>1\"/&gt;  <tr> <td>U-20</td> <td>"</td> <td>"</td> <td>V-675</td> <td>122</td> <td>1/2</td> <td>2900</td> <td>1\"/&gt;  <tr> <td>U-21</td> <td>"</td> <td>"</td> <td>V-675</td> <td>122</td> <td>1/2</td> <td>2900</td> <td>1\"/&gt;  <tr> <td>U-22</td> <td>"</td> <td>"</td> <td>V-675</td> <td>122</td> <td>1/2</td> <td>2900</td> <td>1\"/&gt;  <tr> <td>U-23</td> <td>"</td> <td>"</td> <td>V-675</td> <td>122</td> <td>1/2</td> <td>2900</td> <td>1\"/&gt;  <tr> <td>U-24</td> <td>"</td> <td>"</td> <td>V-675</td> <td>122</td> <td>1/2</td> <td>2900</td> <td>1\"/&gt;  <tr> <td>U-25</td> <td>"</td> <td>"</td> <td>V-675</td> <td>122</td> <td>1/2</td> <td>2900</td> <td>1\"/&gt;  <tr> <td>U-26</td> <td>"</td> <td>"</td> <td>V-675</td> <td>122</td> <td>1/2</td> <td>2900</td> <td>1\"/&gt;  <tr> <td>U-27</td> <td>"</td> <td>"</td> <td>V-675</td> <td>122</td> <td>1/2</td> <td>2900</td> <td>1\"/&gt;  <tr> <td>U-28</td> <td>"</td> <td>"</td> <td>V-675</td> <td>122</td> <td>1/2</td> <td>2900</td> <td>1\"/&gt;  <tr> <td>U-29</td> <td>"</td> <td>"</td> <td>V-675</td> <td>122</td> <td>1/2</td> <td>2900</td> <td>1\"/&gt;  <tr> <td>U-30</td> <td>"</td> <td>"</td> <td>V-675</td> <td>122</td> <td>1/2</td> <td>2900</td> <td>1\"/&gt;  <tr> <td>U-31</td> <td>"</td> <td>"</td> <td>V-675</td> <td>122</td> <td>1/2</td> <td>2900</td> <td>1\"/&gt;  <tr> <td>U-32</td> <td>"</td> <td>"</td> <td>V-675</td> <td>122</td> <td>1/2</td> <td>2900</td> <td>1\"/&gt;  <tr> <td>U-33</td> <td>"</td> <td>"</td> <td>V-675</td> <td>122</td> <td>1/2</td> <td>2900</td> <td>1\"/&gt;  <tr> <td>U-34</td> <td>"</td> <td>"</td> <td>V-675</td> <td>122</td> <td>1/2</td> <td>2900</td> <td>1\"/&gt;  <tr> <td>U-35</td> <td>"</td> <td>"</td> <td>V-675</td> <td>122</td> <td>1/2</td> <td>2900</td> <td>1\"/&gt;  <tr> <td>U-36</td> <td>"</td> <td>"</td> <td>V-675</td> <td>122</td> <td>1/2</td> <td>2900</td> <td>1\"/&gt;  <tr> <td>U-37</td> <td>"</td> <td>"</td> <td>V-675</td> <td>122</td> <td>1/2</td> <td>2900</td> <td>1\"/&gt;  <tr> <td>U-38</td> <td>"</td> <td>"</td> <td>V-675</td> <td>122</td> <td>1/2</td> <td>2900</td> <td>1\"/&gt;  <tr> <td>U-39</td> <td>"</td> <td>"</td> <td>V-675</td> <td>122</td> <td>1/2</td> <td>2900</td> <td>1\"/&gt;  <tr> <td>U-40</td> <td>"</td> <td>"</td> <td>V-675</td> <td>122</td> <td>1/2</td> <td>2900</td> <td>1\"/&gt;  <tr> <td>U-41</td> <td>"</td> <td>"</td> <td>V-675</td> <td>122</td> <td>1/2</td> <td>2900</td> <td>1\"/&gt;  <tr> <td>U-42</td> <td>"</td> <td>"</td> <td>V-675</td> <td>122</td> <td>1/2</td> <td>2900</td> <td>1\"/&gt;  <tr> <td>U-43</td> <td>"</td> <td>"</td> <td>V-675</td> <td>122</td> <td>1/2</td> <td>2900</td> <td>1\"/&gt;  <tr> <td>U-44</td> <td>"</td> <td>"</td> <td>V-675</td> <td>122</td> <td>1/2</td> <td>2900</td> <td>1\"/&gt;  <tr> <td>U-45</td> <td>"</td> <td>"</td> <td>V-675</td> <td>122</td> <td>1/2</td> <td>2900</td> <td>1\"/&gt;  <tr> <td>U-46</td> <td>"</td> <td>"</td> <td>V-675</td> <td>122</td> <td>1/2</td> <td>2900</td> <td>1\"/&gt;  <tr> <td>U-47</td> <td>"</td> <td>"</td> <td>V-675</td> <td>122</td> <td>1/2</td> <td>2900</td> <td>1\"/&gt;  <tr> <td>U-48</td> <td>"</td> <td>"</td> <td>V-675</td> <td>122</td> <td>1/2</td> <td>2900</td> <td>1\"/&gt;  <tr> <td>U-49</td> <td>"</td> <td>"</td> <td>V-675</td> <td>122</td> <td>1/2</td> <td>2900</td> <td>1\"/&gt;  <tr> <td>U-50</td> <td>"</td> <td>"</td> <td>V-675</td> <td>122</td> <td>1/2</td> <td>2900</td> <td>1\"/&gt;  </td></tr></td></tr></td></tr></td></tr></td></tr></td></tr></td></tr></td></tr></td></tr></td></tr></td></tr></td></tr></td></tr></td></tr></td></tr></td></tr></td></tr></td></tr></td></tr></td></tr></td></tr></td></tr></td></tr></td></tr></td></tr></td></tr></td></tr></td></tr></td></tr></td></tr></td></tr></td></tr></td></tr>   | U-18 | " | " | V-675  | 122 | 1/2 | 2900 | 1\"/> <tr> <td>U-19</td> <td>"</td> <td>"</td> <td>V-675</td> <td>122</td> <td>1/2</td> <td>2900</td> <td>1\"/&gt;  <tr> <td>U-20</td> <td>"</td> <td>"</td> <td>V-675</td> <td>122</td> <td>1/2</td> <td>2900</td> <td>1\"/&gt;  <tr> <td>U-21</td> <td>"</td> <td>"</td> <td>V-675</td> <td>122</td> <td>1/2</td> <td>2900</td> <td>1\"/&gt;  <tr> <td>U-22</td> <td>"</td> <td>"</td> <td>V-675</td> <td>122</td> <td>1/2</td> <td>2900</td> <td>1\"/&gt;  <tr> <td>U-23</td> <td>"</td> <td>"</td> <td>V-675</td> <td>122</td> <td>1/2</td> <td>2900</td> <td>1\"/&gt;  <tr> <td>U-24</td> <td>"</td> <td>"</td> <td>V-675</td> <td>122</td> <td>1/2</td> <td>2900</td> <td>1\"/&gt;  <tr> <td>U-25</td> <td>"</td> <td>"</td> <td>V-675</td> <td>122</td> <td>1/2</td> <td>2900</td> <td>1\"/&gt;  <tr> <td>U-26</td> <td>"</td> <td>"</td> <td>V-675</td> <td>122</td> <td>1/2</td> <td>2900</td> <td>1\"/&gt;  <tr> <td>U-27</td> <td>"</td> <td>"</td> <td>V-675</td> <td>122</td> <td>1/2</td> <td>2900</td> <td>1\"/&gt;  <tr> <td>U-28</td> <td>"</td> <td>"</td> <td>V-675</td> <td>122</td> <td>1/2</td> <td>2900</td> <td>1\"/&gt;  <tr> <td>U-29</td> <td>"</td> <td>"</td> <td>V-675</td> <td>122</td> <td>1/2</td> <td>2900</td> <td>1\"/&gt;  <tr> <td>U-30</td> <td>"</td> <td>"</td> <td>V-675</td> <td>122</td> <td>1/2</td> <td>2900</td> <td>1\"/&gt;  <tr> <td>U-31</td> <td>"</td> <td>"</td> <td>V-675</td> <td>122</td> <td>1/2</td> <td>2900</td> <td>1\"/&gt;  <tr> <td>U-32</td> <td>"</td> <td>"</td> <td>V-675</td> <td>122</td> <td>1/2</td> <td>2900</td> <td>1\"/&gt;  <tr> <td>U-33</td> <td>"</td> <td>"</td> <td>V-675</td> <td>122</td> <td>1/2</td> <td>2900</td> <td>1\"/&gt;  <tr> <td>U-34</td> <td>"</td> <td>"</td> <td>V-675</td> <td>122</td> <td>1/2</td> <td>2900</td> <td>1\"/&gt;  <tr> <td>U-35</td> <td>"</td> <td>"</td> <td>V-675</td> <td>122</td> <td>1/2</td> <td>2900</td> <td>1\"/&gt;  <tr> <td>U-36</td> <td>"</td> <td>"</td> <td>V-675</td> <td>122</td> <td>1/2</td> <td>2900</td> <td>1\"/&gt;  <tr> <td>U-37</td> <td>"</td> <td>"</td> <td>V-675</td> <td>122</td> <td>1/2</td> <td>2900</td> <td>1\"/&gt;  <tr> <td>U-38</td> <td>"</td> <td>"</td> <td>V-675</td> <td>122</td> <td>1/2</td> <td>2900</td> <td>1\"/&gt;  <tr> <td>U-39</td> <td>"</td> <td>"</td> <td>V-675</td> <td>122</td> <td>1/2</td> <td>2900</td> <td>1\"/&gt;  <tr> <td>U-40</td> <td>"</td> <td>"</td> <td>V-675</td> <td>122</td> <td>1/2</td> <td>2900</td> <td>1\"/&gt;  <tr> <td>U-41</td> <td>"</td> <td>"</td> <td>V-675</td> <td>122</td> <td>1/2</td> <td>2900</td> <td>1\"/&gt;  <tr> <td>U-42</td> <td>"</td> <td>"</td> <td>V-675</td> <td>122</td> <td>1/2</td> <td>2900</td> <td>1\"/&gt;  <tr> <td>U-43</td> <td>"</td> <td>"</td> <td>V-675</td> <td>122</td> <td>1/2</td> <td>2900</td> <td>1\"/&gt;  <tr> <td>U-44</td> <td>"</td> <td>"</td> <td>V-675</td> <td>122</td> <td>1/2</td> <td>2900</td> <td>1\"/&gt;  <tr> <td>U-45</td> <td>"</td> <td>"</td> <td>V-675</td> <td>122</td> <td>1/2</td> <td>2900</td> <td>1\"/&gt;  <tr> <td>U-46</td> <td>"</td> <td>"</td> <td>V-675</td> <td>122</td> <td>1/2</td> <td>2900</td> <td>1\"/&gt;  <tr> <td>U-47</td> <td>"</td> <td>"</td> <td>V-675</td> <td>122</td> <td>1/2</td> <td>2900</td> <td>1\"/&gt;  <tr> <td>U-48</td> <td>"</td> <td>"</td> <td>V-675</td> <td>122</td> <td>1/2</td> <td>2900</td> <td>1\"/&gt;  <tr> <td>U-49</td> <td>"</td> <td>"</td> <td>V-675</td> <td>122</td> <td>1/2</td> <td>2900</td> <td>1\"/&gt;  <tr> <td>U-50</td> <td>"</td> <td>"</td> <td>V-675</td> <td>122</td> <td>1/2</td> <td>2900</td> <td>1\"/&gt; 
</td></tr></td></tr></td></tr></td></tr></td></tr></td></tr></td></tr></td></tr></td></tr></td></tr></td></tr></td></tr></td></tr></td></tr></td></tr></td></tr></td></tr></td></tr></td></tr></td></tr></td></tr></td></tr></td></tr></td></tr></td></tr></td></tr></td></tr></td></tr></td></tr></td></tr></td></tr></td></tr>   | U-19 | " | " | V-675 | 122 | 1/2 | 2900 | 1\"/> <tr> <td>U-20</td> <td>"</td> <td>"</td> <td>V-675</td> <td>122</td> <td>1/2</td> <td>2900</td> <td>1\"/&gt;  <tr> <td>U-21</td> <td>"</td> <td>"</td> <td>V-675</td> <td>122</td> <td>1/2</td> <td>2900</td> <td>1\"/&gt;  <tr> <td>U-22</td> <td>"</td> <td>"</td> <td>V-675</td> <td>122</td> <td>1/2</td> <td>2900</td> <td>1\"/&gt;  <tr> <td>U-23</td> <td>"</td> <td>"</td> <td>V-675</td> <td>122</td> <td>1/2</td> <td>2900</td> <td>1\"/&gt;  <tr> <td>U-24</td> <td>"</td> <td>"</td> <td>V-675</td> <td>122</td> <td>1/2</td> <td>2900</td> <td>1\"/&gt;  <tr> <td>U-25</td> <td>"</td> <td>"</td> <td>V-675</td> <td>122</td> <td>1/2</td> <td>2900</td> <td>1\"/&gt;  <tr> <td>U-26</td> <td>"</td> <td>"</td> <td>V-675</td> <td>122</td> <td>1/2</td> <td>2900</td> <td>1\"/&gt;  <tr> <td>U-27</td> <td>"</td> <td>"</td> <td>V-675</td> <td>122</td> <td>1/2</td> <td>2900</td> <td>1\"/&gt;  <tr> <td>U-28</td> <td>"</td> <td>"</td> <td>V-675</td> <td>122</td> <td>1/2</td> <td>2900</td> <td>1\"/&gt;  <tr> <td>U-29</td> <td>"</td> <td>"</td> <td>V-675</td> <td>122</td> <td>1/2</td> <td>2900</td> <td>1\"/&gt;  <tr> <td>U-30</td> <td>"</td> <td>"</td> <td>V-675</td> <td>122</td> <td>1/2</td> <td>2900</td> <td>1\"/&gt;  <tr> <td>U-31</td> <td>"</td> <td>"</td> <td>V-675</td> <td>122</td> <td>1/2</td> <td>2900</td> <td>1\"/&gt;  <tr> <td>U-32</td> <td>"</td> <td>"</td> <td>V-675</td> <td>122</td> <td>1/2</td> <td>2900</td> <td>1\"/&gt;  <tr> <td>U-33</td> <td>"</td> <td>"</td> <td>V-675</td> <td>122</td> <td>1/2</td> <td>2900</td> <td>1\"/&gt;  <tr> <td>U-34</td> <td>"</td> <td>"</td> <td>V-675</td> <td>122</td> <td>1/2</td> <td>2900</td> <td>1\"/&gt;  <tr> <td>U-35</td> <td>"</td> <td>"</td> <td>V-675</td> <td>122</td> <td>1/2</td> <td>2900</td> <td>1\"/&gt;  <tr> <td>U-36</td> <td>"</td> <td>"</td> <td>V-675</td> <td>122</td> <td>1/2</td> <td>2900</td> <td>1\"/&gt;  <tr> <td>U-37</td> <td>"</td> <td>"</td> <td>V-675</td> <td>122</td> <td>1/2</td> <td>2900</td> <td>1\"/&gt;  <tr> <td>U-38</td> <td>"</td> <td>"</td> <td>V-675</td> <td>122</td> <td>1/2</td> <td>2900</td> <td>1\"/&gt;  <tr> <td>U-39</td> <td>"</td> <td>"</td> <td>V-675</td> <td>122</td> <td>1/2</td> <td>2900</td> <td>1\"/&gt;  <tr> <td>U-40</td> <td>"</td> <td>"</td> <td>V-675</td> <td>122</td> <td>1/2</td> <td>2900</td> <td>1\"/&gt;  <tr> <td>U-41</td> <td>"</td> <td>"</td> <td>V-675</td> <td>122</td> <td>1/2</td> <td>2900</td> <td>1\"/&gt;  <tr> <td>U-42</td> <td>"</td> <td>"</td> <td>V-675</td> <td>122</td> <td>1/2</td> <td>2900</td> <td>1\"/&gt;  <tr> <td>U-43</td> <td>"</td> <td>"</td> <td>V-675</td> <td>122</td> <td>1/2</td> <td>2900</td> <td>1\"/&gt;  <tr> <td>U-44</td> <td>"</td> <td>"</td> <td>V-675</td> <td>122</td> <td>1/2</td> <td>2900</td> <td>1\"/&gt;  <tr> <td>U-45</td> <td>"</td> <td>"</td> <td>V-675</td> <td>122</td> <td>1/2</td> <td>2900</td> <td>1\"/&gt;  <tr> <td>U-46</td> <td>"</td> <td>"</td> <td>V-675</td> <td>122</td> <td>1/2</td> <td>2900</td> <td>1\"/&gt;  <tr> <td>U-47</td> <td>"</td> <td>"</td> <td>V-675</td> <td>122</td> <td>1/2</td> <td>2900</td> <td>1\"/&gt;  <tr> <td>U-48</td> <td>"</td> <td>"</td> <td>V-675</td> <td>122</td> <td>1/2</td> <td>2900</td> <td>1\"/&gt;  <tr> <td>U-49</td> <td>"</td> <td>"</td> <td>V-675</td> <td>122</td> <td>1/2</td> <td>2900</td> <td>1\"/&gt;  <tr> <td>U-50</td> <td>"</td> <td>"</td> <td>V-675</td> <td>122</td> <td>1/2</td> <td>2900</td> <td>1\"/&gt;  </td></tr></td></tr></td></tr></td></tr></td></tr></td></tr></td></tr></td></tr></td></tr></td></tr></td></tr></td></tr></td></tr></td></tr></td></tr></td></tr></td></tr></td></tr></td></tr></td></tr></td></tr></td></tr></td></tr></td></tr></td></tr></td></tr></td></tr></td></tr></td></tr></td></tr></td></tr>  | U-20 | " | " | V-675 | 122 | 1/2 | 2900 | 1\"/> <tr> <td>U-21</td> <td>"</td> <td>"</td> <td>V-675</td> <td>122</td> <td>1/2</td> <td>2900</td> <td>1\"/&gt;  <tr> <td>U-22</td> <td>"</td> <td>"</td> <td>V-675</td> <td>122</td> <td>1/2</td> <td>2900</td> <td>1\"/&gt;  <tr> <td>U-23</td> <td>"</td> <td>"</td> <td>V-675</td> <td>122</td> <td>1/2</td> <td>2900</td> <td>1\"/&gt;  <tr> <td>U-24</td> <td>"</td> <td>"</td> <td>V-675</td> <td>122</td> <td>1/2</td> <td>2900</td> <td>1\"/&gt;  <tr> <td>U-25</td> <td>"</td> <td>"</td> <td>V-675</td> <td>122</td> <td>1/2</td> <td>2900</td> <td>1\"/&gt;  <tr> <td>U-26</td> <td>"</td> <td>"</td> <td>V-675</td> <td>122</td> <td>1/2</td> <td>2900</td> <td>1\"/&gt;  <tr> <td>U-27</td> <td>"</td> <td>"</td> <td>V-675</td> <td>122</td> <td>1/2</td> <td>2900</td> <td>1\"/&gt;  <tr> <td>U-28</td> <td>"</td> <td>"</td> <td>V-675</td> <td>122</td> <td>1/2</td> <td>2900</td> <td>1\"/&gt;  <tr> <td>U-29</td> <td>"</td> <td>"</td> <td>V-675</td> <td>122</td> <td>1/2</td> <td>2900</td> <td>1\"/&gt;  <tr> <td>U-30</td> <td>"</td> <td>"</td> <td>V-675</td> <td>122</td> <td>1/2</td> <td>2900</td> <td>1\"/&gt;  <tr> <td>U-31</td> <td>"</td> <td>"</td> <td>V-675</td> <td>122</td> <td>1/2</td> <td>2900</td> <td>1\"/&gt;  <tr> <td>U-32</td> <td>"</td> <td>"</td> <td>V-675</td> <td>122</td> <td>1/2</td> <td>2900</td> <td>1\"/&gt;  <tr> <td>U-33</td> <td>"</td> <td>"</td> <td>V-675</td> <td>122</td> <td>1/2</td> <td>2900</td> <td>1\"/&gt;  <tr> <td>U-34</td> <td>"</td> <td>"</td> <td>V-675</td> <td>122</td> <td>1/2</td> <td>2900</td> <td>1\"/&gt;  <tr> <td>U-35</td> <td>"</td> <td>"</td> <td>V-675</td> <td>122</td> <td>1/2</td> <td>2900</td> <td>1\"/&gt;  <tr> <td>U-36</td> <td>"</td> <td>"</td> <td>V-675</td> <td>122</td> <td>1/2</td> <td>2900</td> <td>1\"/&gt;  <tr> <td>U-37</td> <td>"</td> <td>"</td> <td>V-675</td> <td>122</td> <td>1/2</td> <td>2900</td> <td>1\"/&gt;  <tr> <td>U-38</td> <td>"</td> <td>"</td> <td>V-675</td> <td>122</td> <td>1/2</td> <td>2900</td> <td>1\"/&gt;  <tr> <td>U-39</td> <td>"</td> <td>"</td> <td>V-675</td> <td>122</td> <td>1/2</td> <td>2900</td> <td>1\"/&gt;  <tr> <td>U-40</td> <td>"</td> <td>"</td> <td>V-675</td> <td>122</td> <td>1/2</td> <td>2900</td> <td>1\"/&gt;  <tr> <td>U-41</td> <td>"</td> <td>"</td> <td>V-675</td> <td>122</td>
<td>1/2</td> <td>2900</td> <td>1\"/&gt;  <tr> <td>U-42</td> <td>"</td> <td>"</td> <td>V-675</td> <td>122</td> <td>1/2</td> <td>2900</td> <td>1\"/&gt;  <tr> <td>U-43</td> <td>"</td> <td>"</td> <td>V-675</td> <td>122</td> <td>1/2</td> <td>2900</td> <td>1\"/&gt;  <tr> <td>U-44</td> <td>"</td> <td>"</td> <td>V-675</td> <td>122</td> <td>1/2</td> <td>2900</td> <td>1\"/&gt;  <tr> <td>U-45</td> <td>"</td> <td>"</td> <td>V-675</td> <td>122</td> <td>1/2</td> <td>2900</td> <td>1\"/&gt;  <tr> <td>U-46</td> <td>"</td> <td>"</td> <td>V-675</td> <td>122</td> <td>1/2</td> <td>2900</td> <td>1\"/&gt;  <tr> <td>U-47</td> <td>"</td> <td>"</td> <td>V-675</td> <td>122</td> <td>1/2</td> <td>2900</td> <td>1\"/&gt;  <tr> <td>U-48</td> <td>"</td> <td>"</td> <td>V-675</td> <td>122</td> <td>1/2</td> <td>2900</td> <td>1\"/&gt;  <tr> <td>U-49</td> <td>"</td> <td>"</td> <td>V-675</td> <td>122</td> <td>1/2</td> <td>2900</td> <td>1\"/&gt;  <tr> <td>U-50</td> <td>"</td> <td>"</td> <td>V-675</td> <td>122</td> <td>1/2</td> <td>2900</td> <td>1\"/&gt;  </td></tr></td></tr></td></tr></td></tr></td></tr></td></tr></td></tr></td></tr></td></tr></td></tr></td></tr></td></tr></td></tr></td></tr></td></tr></td></tr></td></tr></td></tr></td></tr></td></tr></td></tr></td></tr></td></tr></td></tr></td></tr></td></tr></td></tr></td></tr></td></tr></td></tr>   | U-21 | " | " | V-675 | 122 | 1/2 | 2900 | 1\"/> <tr> <td>U-22</td> <td>"</td> <td>"</td> <td>V-675</td> <td>122</td> <td>1/2</td> <td>2900</td> <td>1\"/&gt;  <tr> <td>U-23</td> <td>"</td> <td>"</td> <td>V-675</td> <td>122</td> <td>1/2</td> <td>2900</td> <td>1\"/&gt;  <tr> <td>U-24</td> <td>"</td> <td>"</td> <td>V-675</td> <td>122</td> <td>1/2</td> <td>2900</td> <td>1\"/&gt;  <tr> <td>U-25</td> <td>"</td> <td>"</td> <td>V-675</td> <td>122</td> <td>1/2</td> <td>2900</td> <td>1\"/&gt;  <tr> <td>U-26</td> <td>"</td> <td>"</td> <td>V-675</td> <td>122</td> <td>1/2</td> <td>2900</td> <td>1\"/&gt;  <tr> <td>U-27</td> <td>"</td> <td>"</td> <td>V-675</td> <td>122</td> <td>1/2</td> <td>2900</td> <td>1\"/&gt;  <tr> <td>U-28</td> <td>"</td> <td>"</td> <td>V-675</td> <td>122</td> <td>1/2</td> <td>2900</td> <td>1\"/&gt;  <tr> <td>U-29</td> <td>"</td> <td>"</td> <td>V-675</td> <td>122</td> <td>1/2</td> <td>2900</td> <td>1\"/&gt;  <tr> <td>U-30</td> <td>"</td> <td>"</td> <td>V-675</td> <td>122</td> <td>1/2</td> <td>2900</td> <td>1\"/&gt;  <tr> <td>U-31</td> <td>"</td> <td>"</td> <td>V-675</td> <td>122</td> <td>1/2</td> <td>2900</td> <td>1\"/&gt;  <tr> <td>U-32</td> <td>"</td> <td>"</td> <td>V-675</td> <td>122</td> <td>1/2</td> <td>2900</td> <td>1\"/&gt;  <tr> <td>U-33</td> <td>"</td> <td>"</td> <td>V-675</td> <td>122</td> <td>1/2</td> <td>2900</td> <td>1\"/&gt;  <tr> <td>U-34</td> <td>"</td> <td>"</td> <td>V-675</td> <td>122</td> <td>1/2</td> <td>2900</td> <td>1\"/&gt;  <tr> <td>U-35</td> <td>"</td> <td>"</td> <td>V-675</td> <td>122</td> <td>1/2</td> <td>2900</td> <td>1\"/&gt;  <tr> <td>U-36</td> <td>"</td> <td>"</td> <td>V-675</td> <td>122</td> <td>1/2</td> <td>2900</td> <td>1\"/&gt;  <tr> <td>U-37</td> <td>"</td> <td>"</td> <td>V-675</td> <td>122</td> <td>1/2</td> <td>2900</td> <td>1\"/&gt;  <tr> <td>U-38</td> <td>"</td> <td>"</td> <td>V-675</td> <td>122</td> <td>1/2</td> <td>2900</td> <td>1\"/&gt;  <tr> <td>U-39</td> <td>"</td> <td>"</td> <td>V-675</td> <td>122</td> <td>1/2</td> <td>2900</td> <td>1\"/&gt;  <tr> <td>U-40</td> <td>"</td> <td>"</td> <td>V-675</td> <td>122</td> <td>1/2</td> <td>2900</td> <td>1\"/&gt;  <tr> <td>U-41</td> <td>"</td> <td>"</td> <td>V-675</td> <td>122</td> <td>1/2</td> <td>2900</td> <td>1\"/&gt;  <tr> <td>U-42</td> <td>"</td> <td>"</td> <td>V-675</td> <td>122</td> <td>1/2</td> <td>2900</td> <td>1\"/&gt;  <tr> <td>U-43</td> <td>"</td> <td>"</td> <td>V-675</td> <td>122</td> <td>1/2</td> <td>2900</td> <td>1\"/&gt;  <tr> <td>U-44</td> <td>"</td> <td>"</td> <td>V-675</td> <td>122</td> <td>1/2</td> <td>2900</td> <td>1\"/&gt;  <tr> <td>U-45</td> <td>"</td> <td>"</td> <td>V-675</td> <td>122</td> <td>1/2</td> <td>2900</td> <td>1\"/&gt;  <tr> <td>U-46</td> <td>"</td> <td>"</td> <td>V-675</td> <td>122</td> <td>1/2</td> <td>2900</td> <td>1\"/&gt;  <tr> <td>U-47</td> <td>"</td> <td>"</td> <td>V-675</td> <td>122</td> <td>1/2</td> <td>2900</td> <td>1\"/&gt;  <tr> <td>U-48</td> <td>"</td> <td>"</td> <td>V-675</td> <td>122</td> <td>1/2</td> <td>2900</td> <td>1\"/&gt;  <tr> <td>U-49</td> <td>"</td> <td>"</td> <td>V-675</td> <td>122</td> <td>1/2</td> <td>2900</td> <td>1\"/&gt;  <tr> <td>U-50</td> <td>"</td> <td>"</td> <td>V-675</td> <td>122</td> <td>1/2</td> <td>2900</td> <td>1\"/&gt;  </td></tr></td></tr></td></tr></td></tr></td></tr></td></tr></td></tr></td></tr></td></tr></td></tr></td></tr></td></tr></td></tr></td></tr></td></tr></td></tr></td></tr></td></tr></td></tr></td></tr></td></tr></td></tr></td></tr></td></tr></td></tr></td></tr></td></tr></td></tr></td></tr>  | U-22 | " | " | V-675 | 122 | 1/2 | 2900 | 1\"/> <tr> <td>U-23</td> <td>"</td> <td>"</td> <td>V-675</td> <td>122</td> <td>1/2</td> <td>2900</td> <td>1\"/&gt;  <tr> <td>U-24</td> <td>"</td> <td>"</td> <td>V-675</td> <td>122</td> <td>1/2</td> <td>2900</td> <td>1\"/&gt;  <tr> <td>U-25</td> <td>"</td> <td>"</td> <td>V-675</td> <td>122</td> <td>1/2</td> <td>2900</td> <td>1\"/&gt;  <tr> <td>U-26</td> <td>"</td> <td>"</td> <td>V-675</td> <td>122</td> <td>1/2</td> <td>2900</td> <td>1\"/&gt;  <tr> <td>U-27</td> <td>"</td> <td>"</td> <td>V-675</td> <td>122</td> <td>1/2</td> <td>2900</td> <td>1\"/&gt;  <tr> <td>U-28</td> <td>"</td> <td>"</td> <td>V-675</td> <td>122</td> <td>1/2</td> <td>2900</td> <td>1\"/&gt;  <tr> <td>U-29</td> <td>"</td> <td>"</td> <td>V-675</td> <td>122</td> <td>1/2</td> <td>2900</td> <td>1\"/&gt;  <tr> <td>U-30</td> <td>"</td> <td>"</td> <td>V-675</td> <td>122</td> <td>1/2</td> <td>2900</td> <td>1\"/&gt;  <tr> <td>U-31</td> <td>"</td> <td>"</td> <td>V-675</td> <td>122</td> <td>1/2</td> <td>2900</td> <td>1\"/&gt;  <tr> <td>U-32</td> <td>"</td> <td>"</td> <td>V-675</td> <td>122</td> <td>1/2</td> <td>2900</td> <td>1\"/&gt;  <tr> <td>U-33</td> <td>"</td> <td>"</td> <td>V-675</td> <td>122</td> <td>1/2</td> <td>2900</td> <td>1\"/&gt;  <tr> <td>U-34</td> <td>"</td> <td>"</td> <td>V-675</td> <td>122</td> <td>1/2</td> <td>2900</td> <td>1\"/&gt;  <tr> <td>U-35</td> <td>"</td> <td>"</td> <td>V-675</td> <td>122</td> <td>1/2</td> <td>2900</td> <td>1\"/&gt;  <tr> <td>U-36</td> <td>"</td> <td>"</td> <td>V-675</td>
<td>122</td> <td>1/2</td> <td>2900</td> <td>1\"/&gt;  <tr> <td>U-37</td> <td>"</td> <td>"</td> <td>V-675</td> <td>122</td> <td>1/2</td> <td>2900</td> <td>1\"/&gt;  <tr> <td>U-38</td> <td>"</td> <td>"</td> <td>V-675</td> <td>122</td> <td>1/2</td> <td>2900</td> <td>1\"/&gt;  <tr> <td>U-39</td> <td>"</td> <td>"</td> <td>V-675</td> <td>122</td> <td>1/2</td> <td>2900</td> <td>1\"/&gt;  <tr> <td>U-40</td> <td>"</td> <td>"</td> <td>V-675</td> <td>122</td> <td>1/2</td> <td>2900</td> <td>1\"/&gt;  <tr> <td>U-41</td> <td>"</td> <td>"</td> <td>V-675</td> <td>122</td> <td>1/2</td> <td>2900</td> <td>1\"/&gt;  <tr> <td>U-42</td> <td>"</td> <td>"</td> <td>V-675</td> <td>122</td> <td>1/2</td> <td>2900</td> <td>1\"/&gt;  <tr> <td>U-43</td> <td>"</td> <td>"</td> <td>V-675</td> <td>122</td> <td>1/2</td> <td>2900</td> <td>1\"/&gt;  <tr> <td>U-44</td> <td>"</td> <td>"</td> <td>V-675</td> <td>122</td> <td>1/2</td> <td>2900</td> <td>1\"/&gt;  <tr> <td>U-45</td> <td>"</td> <td>"</td> <td>V-675</td> <td>122</td> <td>1/2</td> <td>2900</td> <td>1\"/&gt;  <tr> <td>U-46</td> <td>"</td> <td>"</td> <td>V-675</td> <td>122</td> <td>1/2</td> <td>2900</td> <td>1\"/&gt;  <tr> <td>U-47</td> <td>"</td> <td>"</td> <td>V-675</td> <td>122</td> <td>1/2</td> <td>2900</td> <td>1\"/&gt;  <tr> <td>U-48</td> <td>"</td> <td>"</td> <td>V-675</td> <td>122</td> <td>1/2</td> <td>2900</td> <td>1\"/&gt;  <tr> <td>U-49</td> <td>"</td> <td>"</td> <td>V-675</td> <td>122</td> <td>1/2</td> <td>2900</td> <td>1\"/&gt;  <tr> <td>U-50</td> <td>"</td> <td>"</td> <td>V-675</td> <td>122</td> <td>1/2</td> <td>2900</td> <td>1\"/&gt;  </td></tr></td></tr></td></tr></td></tr></td></tr></td></tr></td></tr></td></tr></td></tr></td></tr></td></tr></td></tr></td></tr></td></tr></td></tr></td></tr></td></tr></td></tr></td></tr></td></tr></td></tr></td></tr></td></tr></td></tr></td></tr></td></tr></td></tr></td></tr>   | U-23 | " | " | V-675 | 122 | 1/2 | 2900 | 1\"/> <tr> <td>U-24</td> <td>"</td> <td>"</td> <td>V-675</td> <td>122</td> <td>1/2</td> <td>2900</td> <td>1\"/&gt;  <tr> <td>U-25</td> <td>"</td> <td>"</td> <td>V-675</td> <td>122</td> <td>1/2</td> <td>2900</td> <td>1\"/&gt;  <tr> <td>U-26</td> <td>"</td> <td>"</td> <td>V-675</td> <td>122</td> <td>1/2</td> <td>2900</td> <td>1\"/&gt;  <tr> <td>U-27</td> <td>"</td> <td>"</td> <td>V-675</td> <td>122</td> <td>1/2</td> <td>2900</td> <td>1\"/&gt;  <tr> <td>U-28</td> <td>"</td> <td>"</td> <td>V-675</td> <td>122</td> <td>1/2</td> <td>2900</td> <td>1\"/&gt;  <tr> <td>U-29</td> <td>"</td> <td>"</td> <td>V-675</td> <td>122</td> <td>1/2</td> <td>2900</td> <td>1\"/&gt;  <tr> <td>U-30</td> <td>"</td> <td>"</td> <td>V-675</td> <td>122</td> <td>1/2</td> <td>2900</td> <td>1\"/&gt;  <tr> <td>U-31</td> <td>"</td> <td>"</td> <td>V-675</td> <td>122</td> <td>1/2</td> <td>2900</td> <td>1\"/&gt;  <tr> <td>U-32</td> <td>"</td> <td>"</td> <td>V-675</td> <td>122</td> <td>1/2</td> <td>2900</td> <td>1\"/&gt;  <tr> <td>U-33</td> <td>"</td> <td>"</td> <td>V-675</td> <td>122</td> <td>1/2</td> <td>2900</td> <td>1\"/&gt;  <tr> <td>U-34</td> <td>"</td> <td>"</td> <td>V-675</td> <td>122</td> <td>1/2</td> <td>2900</td> <td>1\"/&gt;  <tr> <td>U-35</td> <td>"</td> <td>"</td> <td>V-675</td> <td>122</td> <td>1/2</td> <td>2900</td> <td>1\"/&gt;  <tr> <td>U-36</td> <td>"</td> <td>"</td> <td>V-675</td> <td>122</td> <td>1/2</td> <td>2900</td> <td>1\"/&gt;  <tr> <td>U-37</td> <td>"</td> <td>"</td> <td>V-675</td> <td>122</td> <td>1/2</td> <td>2900</td> <td>1\"/&gt;  <tr> <td>U-38</td> <td>"</td> <td>"</td> <td>V-675</td> <td>122</td> <td>1/2</td> <td>2900</td> <td>1\"/&gt;  <tr> <td>U-39</td> <td>"</td> <td>"</td> <td>V-675</td> <td>122</td> <td>1/2</td> <td>2900</td> <td>1\"/&gt;  <tr> <td>U-40</td> <td>"</td> <td>"</td> <td>V-675</td> <td>122</td> <td>1/2</td> <td>2900</td> <td>1\"/&gt;  <tr> <td>U-41</td> <td>"</td> <td>"</td> <td>V-675</td> <td>122</td> <td>1/2</td> <td>2900</td> <td>1\"/&gt;  <tr> <td>U-42</td> <td>"</td> <td>"</td> <td>V-675</td> <td>122</td> <td>1/2</td> <td>2900</td> <td>1\"/&gt;  <tr> <td>U-43</td> <td>"</td> <td>"</td> <td>V-675</td> <td>122</td> <td>1/2</td> <td>2900</td> <td>1\"/&gt;  <tr> <td>U-44</td> <td>"</td> <td>"</td> <td>V-675</td> <td>122</td> <td>1/2</td> <td>2900</td> <td>1\"/&gt;  <tr> <td>U-45</td> <td>"</td> <td>"</td> <td>V-675</td> <td>122</td> <td>1/2</td> <td>2900</td> <td>1\"/&gt;  <tr> <td>U-46</td> <td>"</td> <td>"</td> <td>V-675</td> <td>122</td> <td>1/2</td> <td>2900</td> <td>1\"/&gt;  <tr> <td>U-47</td> <td>"</td> <td>"</td> <td>V-675</td> <td>122</td> <td>1/2</td> <td>2900</td> <td>1\"/&gt;  <tr> <td>U-48</td> <td>"</td> <td>"</td> <td>V-675</td> <td>122</td> <td>1/2</td> <td>2900</td> <td>1\"/&gt;  <tr> <td>U-49</td> <td>"</td> <td>"</td> <td>V-675</td> <td>122</td> <td>1/2</td> <td>2900</td> <td>1\"/&gt;  <tr> <td>U-50</td> <td>"</td> <td>"</td> <td>V-675</td> <td>122</td> <td>1/2</td> <td>2900</td> <td>1\"/&gt;  </td></tr></td></tr></td></tr></td></tr></td></tr></td></tr></td></tr></td></tr></td></tr></td></tr></td></tr></td></tr></td></tr></td></tr></td></tr></td></tr></td></tr></td></tr></td></tr></td></tr></td></tr></td></tr></td></tr></td></tr></td></tr></td></tr></td></tr>  | U-24 | " | " | V-675 | 122 | 1/2 | 2900 | 1\"/> <tr> <td>U-25</td> <td>"</td> <td>"</td> <td>V-675</td> <td>122</td> <td>1/2</td> <td>2900</td> <td>1\"/&gt;  <tr> <td>U-26</td> <td>"</td> <td>"</td> <td>V-675</td> <td>122</td> <td>1/2</td> <td>2900</td> <td>1\"/&gt;  <tr> <td>U-27</td> <td>"</td> <td>"</td> <td>V-675</td> <td>122</td> <td>1/2</td> <td>2900</td> <td>1\"/&gt;  <tr> <td>U-28</td> <td>"</td> <td>"</td> <td>V-675</td> <td>122</td> <td>1/2</td> <td>2900</td> <td>1\"/&gt;  <tr> <td>U-29</td> <td>"</td> <td>"</td> <td>V-675</td> <td>122</td> <td>1/2</td> <td>2900</td> <td>1\"/&gt;  <tr> <td>U-30</td> <td>"</td> <td>"</td> <td>V-675</td> <td>122</td> <td>1/2</td> <td>2900</td> <td>1\"/&gt;  <tr> <td>U-31</td> <td>"</td> <td>"</td> <td>V-675</td> <td>122</td> <td>1/2</td> <td>2900</td> <td>1\"/&gt;  <tr> <td>U-32</td> <td>"</td> <td>"</td> <td>V-675</td> <td>122</td> <td>1/2</td> <td>2900</td> <td>1\"/&gt;  <tr> <td>U-33</td> <td>"</td> <td>"</td> <td>V-675</td> <td>122</td> <td>1/2</td> <td>2900</td> <td>1\"/&gt;  <tr> <td>U-34</td> <td>"</td> <td>"</td> <td>V-675</td> <td>122</td> <td>1/2</td> <td>2900</td> <td>1\"/&gt;  <tr> <td>U-35</td> <td>"</td> <td>"</td> <td>V-675</td> <td>122</td> <td>1/2</td>
<td>2900</td> <td>1\"/&gt;  <tr> <td>U-36</td> <td>"</td> <td>"</td> <td>V-675</td> <td>122</td> <td>1/2</td> <td>2900</td> <td>1\"/&gt;  <tr> <td>U-37</td> <td>"</td> <td>"</td> <td>V-675</td> <td>122</td> <td>1/2</td> <td>2900</td> <td>1\"/&gt;  <tr> <td>U-38</td> <td>"</td> <td>"</td> <td>V-675</td> <td>122</td> <td>1/2</td> <td>2900</td> <td>1\"/&gt;  <tr> <td>U-39</td> <td>"</td> <td>"</td> <td>V-675</td> <td>122</td> <td>1/2</td> <td>2900</td> <td>1\"/&gt;  <tr> <td>U-40</td> <td>"</td> <td>"</td> <td>V-675</td> <td>122</td> <td>1/2</td> <td>2900</td> <td>1\"/&gt;  <tr> <td>U-41</td> <td>"</td> <td>"</td> <td>V-675</td> <td>122</td> <td>1/2</td> <td>2900</td> <td>1\"/&gt;  <tr> <td>U-42</td> <td>"</td> <td>"</td> <td>V-675</td> <td>122</td> <td>1/2</td> <td>2900</td> <td>1\"/&gt;  <tr> <td>U-43</td> <td>"</td> <td>"</td> <td>V-675</td> <td>122</td> <td>1/2</td> <td>2900</td> <td>1\"/&gt;  <tr> <td>U-44</td> <td>"</td> <td>"</td> <td>V-675</td> <td>122</td> <td>1/2</td> <td>2900</td> <td>1\"/&gt;  <tr> <td>U-45</td> <td>"</td> <td>"</td> <td>V-675</td> <td>122</td> <td>1/2</td> <td>2900</td> <td>1\"/&gt;  <tr> <td>U-46</td> <td>"</td> <td>"</td> <td>V-675</td> <td>122</td> <td>1/2</td> <td>2900</td> <td>1\"/&gt;  <tr> <td>U-47</td> <td>"</td> <td>"</td> <td>V-675</td> <td>122</td> <td>1/2</td> <td>2900</td> <td>1\"/&gt;  <tr> <td>U-48</td> <td>"</td> <td>"</td> <td>V-675</td> <td>122</td> <td>1/2</td> <td>2900</td> <td>1\"/&gt;  <tr> <td>U-49</td> <td>"</td> <td>"</td> <td>V-675</td> <td>122</td> <td>1/2</td> <td>2900</td> <td>1\"/&gt;  <tr> <td>U-50</td> <td>"</td> <td>"</td> <td>V-675</td> <td>122</td> <td>1/2</td> <td>2900</td> <td>1\"/&gt;  </td></tr></td></tr></td></tr></td></tr></td></tr></td></tr></td></tr></td></tr></td></tr></td></tr></td></tr></td></tr></td></tr></td></tr></td></tr></td></tr></td></tr></td></tr></td></tr></td></tr></td></tr></td></tr></td></tr></td></tr></td></tr></td></tr>   | U-25 | " | " | V-675 | 122 | 1/2 | 2900 | 1\"/> <tr> <td>U-26</td> <td>"</td> <td>"</td> <td>V-675</td> <td>122</td> <td>1/2</td> <td>2900</td> <td>1\"/&gt;  <tr> <td>U-27</td> <td>"</td> <td>"</td> <td>V-675</td> <td>122</td> <td>1/2</td> <td>2900</td> <td>1\"/&gt;  <tr> <td>U-28</td> <td>"</td> <td>"</td> <td>V-675</td> <td>122</td> <td>1/2</td> <td>2900</td> <td>1\"/&gt;  <tr> <td>U-29</td> <td>"</td> <td>"</td> <td>V-675</td> <td>122</td> <td>1/2</td> <td>2900</td> <td>1\"/&gt;  <tr> <td>U-30</td> <td>"</td> <td>"</td> <td>V-675</td> <td>122</td> <td>1/2</td> <td>2900</td> <td>1\"/&gt;  <tr> <td>U-31</td> <td>"</td> <td>"</td> <td>V-675</td> <td>122</td> <td>1/2</td> <td>2900</td> <td>1\"/&gt;  <tr> <td>U-32</td> <td>"</td> <td>"</td> <td>V-675</td> <td>122</td> <td>1/2</td> <td>2900</td> <td>1\"/&gt;  <tr> <td>U-33</td> <td>"</td> <td>"</td> <td>V-675</td> <td>122</td> <td>1/2</td> <td>2900</td> <td>1\"/&gt;  <tr> <td>U-34</td> <td>"</td> <td>"</td> <td>V-675</td> <td>122</td> <td>1/2</td> <td>2900</td> <td>1\"/&gt;  <tr> <td>U-35</td> <td>"</td> <td>"</td> <td>V-675</td> <td>122</td> <td>1/2</td> <td>2900</td> <td>1\"/&gt;  <tr> <td>U-36</td> <td>"</td> <td>"</td> <td>V-675</td> <td>122</td> <td>1/2</td> <td>2900</td> <td>1\"/&gt;  <tr> <td>U-37</td> <td>"</td> <td>"</td> <td>V-675</td> <td>122</td> <td>1/2</td> <td>2900</td> <td>1\"/&gt;  <tr> <td>U-38</td> <td>"</td> <td>"</td> <td>V-675</td> <td>122</td> <td>1/2</td> <td>2900</td> <td>1\"/&gt;  <tr> <td>U-39</td> <td>"</td> <td>"</td> <td>V-675</td> <td>122</td> <td>1/2</td> <td>2900</td> <td>1\"/&gt;  <tr> <td>U-40</td> <td>"</td> <td>"</td> <td>V-675</td> <td>122</td> <td>1/2</td> <td>2900</td> <td>1\"/&gt;  <tr> <td>U-41</td> <td>"</td> <td>"</td> <td>V-675</td> <td>122</td> <td>1/2</td> <td>2900</td> <td>1\"/&gt;  <tr> <td>U-42</td> <td>"</td> <td>"</td> <td>V-675</td> <td>122</td> <td>1/2</td> <td>2900</td> <td>1\"/&gt;  <tr> <td>U-43</td> <td>"</td> <td>"</td> <td>V-675</td> <td>122</td> <td>1/2</td> <td>2900</td> <td>1\"/&gt;  <tr> <td>U-44</td> <td>"</td> <td>"</td> <td>V-675</td> <td>122</td> <td>1/2</td> <td>2900</td> <td>1\"/&gt;  <tr> <td>U-45</td> <td>"</td> <td>"</td> <td>V-675</td> <td>122</td> <td>1/2</td> <td>2900</td> <td>1\"/&gt;  <tr> <td>U-46</td> <td>"</td> <td>"</td> <td>V-675</td> <td>122</td> <td>1/2</td> <td>2900</td> <td>1\"/&gt;  <tr> <td>U-47</td> <td>"</td> <td>"</td> <td>V-675</td> <td>122</td> <td>1/2</td> <td>2900</td> <td>1\"/&gt;  <tr> <td>U-48</td> <td>"</td> <td>"</td> <td>V-675</td> <td>122</td> <td>1/2</td> <td>2900</td> <td>1\"/&gt;  <tr> <td>U-49</td> <td>"</td> <td>"</td> <td>V-675</td> <td>122</td> <td>1/2</td> <td>2900</td> <td>1\"/&gt;  <tr> <td>U-50</td> <td>"</td> <td>"</td> <td>V-675</td> <td>122</td> <td>1/2</td> <td>2900</td> <td>1\"/&gt;  </td></tr></td></tr></td></tr></td></tr></td></tr></td></tr></td></tr></td></tr></td></tr></td></tr></td></tr></td></tr></td></tr></td></tr></td></tr></td></tr></td></tr></td></tr></td></tr></td></tr></td></tr></td></tr></td></tr></td></tr></td></tr>   | U-26 | " | " | V-675 | 122 | 1/2 | 2900 | 1\"/> <tr> <td>U-27</td> <td>"</td> <td>"</td> <td>V-675</td> <td>122</td> <td>1/2</td> <td>2900</td> <td>1\"/&gt;  <tr> <td>U-28</td> <td>"</td> <td>"</td> <td>V-675</td> <td>122</td> <td>1/2</td> <td>2900</td> <td>1\"/&gt;  <tr> <td>U-29</td> <td>"</td> <td>"</td> <td>V-675</td> <td>122</td> <td>1/2</td> <td>2900</td> <td>1\"/&gt;  <tr> <td>U-30</td> <td>"</td> <td>"</td> <td>V-675</td> <td>122</td> <td>1/2</td> <td>2900</td> <td>1\"/&gt;  <tr> <td>U-31</td> <td>"</td> <td>"</td> <td>V-675</td> <td>122</td> <td>1/2</td> <td>2900</td> <td>1\"/&gt;  <tr> <td>U-32</td> <td>"</td> <td>"</td> <td>V-675</td> <td>122</td> <td>1/2</td> <td>2900</td> <td>1\"/&gt;  <tr> <td>U-33</td> <td>"</td> <td>"</td> <td>V-675</td> <td>122</td> <td>1/2</td> <td>2900</td> <td>1\"/&gt;  <tr> <td>U-34</td> <td>"</td> <td>"</td> <td>V-675</td> <td>122</td> <td>1/2</td> <td>2900</td> <td>1\"/&gt;  <tr> <td>U-35</td> <td>"</td> <td>"</td> <td>V-675</td> <td>122</td> <td>1/2</td> <td>2900</td> <td>1\"/&gt;  <tr> <td>U-36</td> <td>"</td> <td>"</td> <td>V-675</td> <td>122</td> <td>1/2</td> <td>2900</td> <td>1\"/&gt;  <tr> <td>U-37</td> <td>"</td> <td>"</td> <td>V-675</td> <td>122</td> <td>1/2</td> <td>2900</td> <td>1\"/&gt;  <tr> <td>U-38</td> <td>"</td> <td>"</td> <td>V-675</td> <td>122</td> <td>1/2</td> <td>2900</td> <td>1\"/&gt;  <tr> <td>U-39</td> <td>"</td>
<td>"</td> <td>V-675</td> <td>122</td> <td>1/2</td> <td>2900</td> <td>1\"/&gt;  <tr> <td>U-40</td> <td>"</td> <td>"</td> <td>V-675</td> <td>122</td> <td>1/2</td> <td>2900</td> <td>1\"/&gt;  <tr> <td>U-41</td> <td>"</td> <td>"</td> <td>V-675</td> <td>122</td> <td>1/2</td> <td>2900</td> <td>1\"/&gt;  <tr> <td>U-42</td> <td>"</td> <td>"</td> <td>V-675</td> <td>122</td> <td>1/2</td> <td>2900</td> <td>1\"/&gt;  <tr> <td>U-43</td> <td>"</td> <td>"</td> <td>V-675</td> <td>122</td> <td>1/2</td> <td>2900</td> <td>1\"/&gt;  <tr> <td>U-44</td> <td>"</td> <td>"</td> <td>V-675</td> <td>122</td> <td>1/2</td> <td>2900</td> <td>1\"/&gt;  <tr> <td>U-45</td> <td>"</td> <td>"</td> <td>V-675</td> <td>122</td> <td>1/2</td> <td>2900</td> <td>1\"/&gt;  <tr> <td>U-46</td> <td>"</td> <td>"</td> <td>V-675</td> <td>122</td> <td>1/2</td> <td>2900</td> <td>1\"/&gt;  <tr> <td>U-47</td> <td>"</td> <td>"</td> <td>V-675</td> <td>122</td> <td>1/2</td> <td>2900</td> <td>1\"/&gt;  <tr> <td>U-48</td> <td>"</td> <td>"</td> <td>V-675</td> <td>122</td> <td>1/2</td> <td>2900</td> <td>1\"/&gt;  <tr> <td>U-49</td> <td>"</td> <td>"</td> <td>V-675</td> <td>122</td> <td>1/2</td> <td>2900</td> <td>1\"/&gt;  <tr> <td>U-50</td> <td>"</td> <td>"</td> <td>V-675</td> <td>122</td> <td>1/2</td> <td>2900</td> <td>1\"/&gt;  </td></tr></td></tr></td></tr></td></tr></td></tr></td></tr></td></tr></td></tr></td></tr></td></tr></td></tr></td></tr></td></tr></td></tr></td></tr></td></tr></td></tr></td></tr></td></tr></td></tr></td></tr></td></tr></td></tr></td></tr>   | U-27 | " | " | V-675 | 122 | 1/2 | 2900 | 1\"/> <tr> <td>U-28</td> <td>"</td> <td>"</td> <td>V-675</td> <td>122</td> <td>1/2</td> <td>2900</td> <td>1\"/&gt;  <tr> <td>U-29</td> <td>"</td> <td>"</td> <td>V-675</td> <td>122</td> <td>1/2</td> <td>2900</td> <td>1\"/&gt;  <tr> <td>U-30</td> <td>"</td> <td>"</td> <td>V-675</td> <td>122</td> <td>1/2</td> <td>2900</td> <td>1\"/&gt;  <tr> <td>U-31</td> <td>"</td> <td>"</td> <td>V-675</td> <td>122</td> <td>1/2</td> <td>2900</td> <td>1\"/&gt;  <tr> <td>U-32</td> <td>"</td> <td>"</td> <td>V-675</td> <td>122</td> <td>1/2</td> <td>2900</td> <td>1\"/&gt;  <tr> <td>U-33</td> <td>"</td> <td>"</td> <td>V-675</td> <td>122</td> <td>1/2</td> <td>2900</td> <td>1\"/&gt;  <tr> <td>U-34</td> <td>"</td> <td>"</td> <td>V-675</td> <td>122</td> <td>1/2</td> <td>2900</td> <td>1\"/&gt;  <tr> <td>U-35</td> <td>"</td> <td>"</td> <td>V-675</td> <td>122</td> <td>1/2</td> <td>2900</td> <td>1\"/&gt;  <tr> <td>U-36</td> <td>"</td> <td>"</td> <td>V-675</td> <td>122</td> <td>1/2</td> <td>2900</td> <td>1\"/&gt;  <tr> <td>U-37</td> <td>"</td> <td>"</td> <td>V-675</td> <td>122</td> <td>1/2</td> <td>2900</td> <td>1\"/&gt;  <tr> <td>U-38</td> <td>"</td> <td>"</td> <td>V-675</td> <td>122</td> <td>1/2</td> <td>2900</td> <td>1\"/&gt;  <tr> <td>U-39</td> <td>"</td> <td>"</td> <td>V-675</td> <td>122</td> <td>1/2</td> <td>2900</td> <td>1\"/&gt;  <tr> <td>U-40</td> <td>"</td> <td>"</td> <td>V-675</td> <td>122</td> <td>1/2</td> <td>2900</td> <td>1\"/&gt;  <tr> <td>U-41</td> <td>"</td> <td>"</td> <td>V-675</td> <td>122</td> <td>1/2</td> <td>2900</td> <td>1\"/&gt;  <tr> <td>U-42</td> <td>"</td> <td>"</td> <td>V-675</td> <td>122</td> <td>1/2</td> <td>2900</td> <td>1\"/&gt;  <tr> <td>U-43</td> <td>"</td> <td>"</td> <td>V-675</td> <td>122</td> <td>1/2</td> <td>2900</td> <td>1\"/&gt;  <tr> <td>U-44</td> <td>"</td> <td>"</td> <td>V-675</td> <td>122</td> <td>1/2</td> <td>2900</td> <td>1\"/&gt;  <tr> <td>U-45</td> <td>"</td> <td>"</td> <td>V-675</td> <td>122</td> <td>1/2</td> <td>2900</td> <td>1\"/&gt;  <tr> <td>U-46</td> <td>"</td> <td>"</td> <td>V-675</td> <td>122</td> <td>1/2</td> <td>2900</td> <td>1\"/&gt;  <tr> <td>U-47</td> <td>"</td> <td>"</td> <td>V-675</td> <td>122</td> <td>1/2</td> <td>2900</td> <td>1\"/&gt;  <tr> <td>U-48</td> <td>"</td> <td>"</td> <td>V-675</td> <td>122</td> <td>1/2</td> <td>2900</td> <td>1\"/&gt;  <tr> <td>U-49</td> <td>"</td> <td>"</td> <td>V-675</td> <td>122</td> <td>1/2</td> <td>2900</td> <td>1\"/&gt;  <tr> <td>U-50</td> <td>"</td> <td>"</td> <td>V-675</td> <td>122</td> <td>1/2</td> <td>2900</td> <td>1\"/&gt;  </td></tr></td></tr></td></tr></td></tr></td></tr></td></tr></td></tr></td></tr></td></tr></td></tr></td></tr></td></tr></td></tr></td></tr></td></tr></td></tr></td></tr></td></tr></td></tr></td></tr></td></tr></td></tr></td></tr>   | U-28 | " | " | V-675 | 122 | 1/2 | 2900 | 1\"/> <tr> <td>U-29</td> <td>"</td> <td>"</td> <td>V-675</td> <td>122</td> <td>1/2</td> <td>2900</td> <td>1\"/&gt;  <tr> <td>U-30</td> <td>"</td> <td>"</td> <td>V-675</td> <td>122</td> <td>1/2</td> <td>2900</td> <td>1\"/&gt;  <tr> <td>U-31</td> <td>"</td> <td>"</td> <td>V-675</td> <td>122</td> <td>1/2</td> <td>2900</td> <td>1\"/&gt;  <tr> <td>U-32</td> <td>"</td> <td>"</td> <td>V-675</td> <td>122</td> <td>1/2</td> <td>2900</td> <td>1\"/&gt;  <tr> <td>U-33</td> <td>"</td> <td>"</td> <td>V-675</td> <td>122</td> <td>1/2</td> <td>2900</td> <td>1\"/&gt;  <tr> <td>U-34</td> <td>"</td> <td>"</td> <td>V-675</td> <td>122</td> <td>1/2</td> <td>2900</td> <td>1\"/&gt;  <tr> <td>U-35</td> <td>"</td> <td>"</td> <td>V-675</td> <td>122</td> <td>1/2</td> <td>2900</td> <td>1\"/&gt;  <tr> <td>U-36</td> <td>"</td> <td>"</td> <td>V-675</td> <td>122</td> <td>1/2</td> <td>2900</td> <td>1\"/&gt;  <tr> <td>U-37</td> <td>"</td> <td>"</td> <td>V-675</td> <td>122</td> <td>1/2</td> <td>2900</td> <td>1\"/&gt;  <tr> <td>U-38</td> <td>"</td> <td>"</td> <td>V-675</td> <td>122</td> <td>1/2</td> <td>2900</td> <td>1\"/&gt;  <tr> <td>U-39</td> <td>"</td> <td>"</td> <td>V-675</td> <td>122</td> <td>1/2</td> <td>2900</td> <td>1\"/&gt;  <tr> <td>U-40</td> <td>"</td> <td>"</td> <td>V-675</td> <td>122</td> <td>1/2</td> <td>2900</td> <td>1\"/&gt;  <tr> <td>U-41</td> <td>"</td> <td>"</td> <td>V-675</td> <td>122</td> <td>1/2</td> <td>2900</td> <td>1\"/&gt;  <tr> <td>U-42</td> <td>"</td> <td>"</td> <td>V-675</td> <td>122</td> <td>1/2</td> <td>2900</td> <td>1\"/&gt;  <tr> <td>U-43</td> <td>"</td> <td>"</td> <td>V-675</td> <td>122</td> <td>1/2</td> <td>2900</td> <td>1\"/&gt;  <tr> <td>U-44</td> <td>"</td> <td>"</td> <td>V-675</td> <td>122</td> <td>1/2</td> <td>2900</td> <td>1\"/&gt;  <tr> <td>U-45</td> <td>"</td> <td>"</td> <td>V-675</td> <td>122</td> <td>1/2</td> <td>2900</td> <td>1\"/&gt;  <tr> <td>U-46</td> <td>"</td> <td>"</td> <td>V-675</td> <td>122</td> <td>1/2</td> <td>2900</td> <td>1\"/&gt;  <tr> <td>U-47</td>
<td>"</td> <td>"</td> <td>V-675</td> <td>122</td> <td>1/2</td> <td>2900</td> <td>1\"/&gt;  <tr> <td>U-48</td> <td>"</td> <td>"</td> <td>V-675</td> <td>122</td> <td>1/2</td> <td>2900</td> <td>1\"/&gt;  <tr> <td>U-49</td> <td>"</td> <td>"</td> <td>V-675</td> <td>122</td> <td>1/2</td> <td>2900</td> <td>1\"/&gt;  <tr> <td>U-50</td> <td>"</td> <td>"</td> <td>V-675</td> <td>122</td> <td>1/2</td> <td>2900</td> <td>1\"/&gt;  </td></tr></td></tr></td></tr></td></tr></td></tr></td></tr></td></tr></td></tr></td></tr></td></tr></td></tr></td></tr></td></tr></td></tr></td></tr></td></tr></td></tr></td></tr></td></tr></td></tr></td></tr></td></tr>   | U-29 | " | " | V-675 | 122 | 1/2 | 2900 | 1\"/> <tr> <td>U-30</td> <td>"</td> <td>"</td> <td>V-675</td> <td>122</td> <td>1/2</td> <td>2900</td> <td>1\"/&gt;  <tr> <td>U-31</td> <td>"</td> <td>"</td> <td>V-675</td> <td>122</td> <td>1/2</td> <td>2900</td> <td>1\"/&gt;  <tr> <td>U-32</td> <td>"</td> <td>"</td> <td>V-675</td> <td>122</td> <td>1/2</td> <td>2900</td> <td>1\"/&gt;  <tr> <td>U-33</td> <td>"</td> <td>"</td> <td>V-675</td> <td>122</td> <td>1/2</td> <td>2900</td> <td>1\"/&gt;  <tr> <td>U-34</td> <td>"</td> <td>"</td> <td>V-675</td> <td>122</td> <td>1/2</td> <td>2900</td> <td>1\"/&gt;  <tr> <td>U-35</td> <td>"</td> <td>"</td> <td>V-675</td> <td>122</td> <td>1/2</td> <td>2900</td> <td>1\"/&gt;  <tr> <td>U-36</td> <td>"</td> <td>"</td> <td>V-675</td> <td>122</td> <td>1/2</td> <td>2900</td> <td>1\"/&gt;  <tr> <td>U-37</td> <td>"</td> <td>"</td> <td>V-675</td> <td>122</td> <td>1/2</td> <td>2900</td> <td>1\"/&gt;  <tr> <td>U-38</td> <td>"</td> <td>"</td> <td>V-675</td> <td>122</td> <td>1/2</td> <td>2900</td> <td>1\"/&gt;  <tr> <td>U-39</td> <td>"</td> <td>"</td> <td>V-675</td> <td>122</td> <td>1/2</td> <td>2900</td> <td>1\"/&gt;  <tr> <td>U-40</td> <td>"</td> <td>"</td> <td>V-675</td> <td>122</td> <td>1/2</td> <td>2900</td> <td>1\"/&gt;  <tr> <td>U-41</td> <td>"</td> <td>"</td> <td>V-675</td> <td>122</td> <td>1/2</td> <td>2900</td> <td>1\"/&gt;  <tr> <td>U-42</td> <td>"</td> <td>"</td> <td>V-675</td> <td>122</td> <td>1/2</td> <td>2900</td> <td>1\"/&gt;  <tr> <td>U-43</td> <td>"</td> <td>"</td> <td>V-675</td> <td>122</td> <td>1/2</td> <td>2900</td> <td>1\"/&gt;  <tr> <td>U-44</td> <td>"</td> <td>"</td> <td>V-675</td> <td>122</td> <td>1/2</td> <td>2900</td> <td>1\"/&gt;  <tr> <td>U-45</td> <td>"</td> <td>"</td> <td>V-675</td> <td>122</td> <td>1/2</td> <td>2900</td> <td>1\"/&gt;  <tr> <td>U-46</td> <td>"</td> <td>"</td> <td>V-675</td> <td>122</td> <td>1/2</td> <td>2900</td> <td>1\"/&gt;  <tr> <td>U-47</td> <td>"</td> <td>"</td> <td>V-675</td> <td>122</td> <td>1/2</td> <td>2900</td> <td>1\"/&gt;  <tr> <td>U-48</td> <td>"</td> <td>"</td> <td>V-675</td> <td>122</td> <td>1/2</td> <td>2900</td> <td>1\"/&gt;  <tr> <td>U-49</td> <td>"</td> <td>"</td> <td>V-675</td> <td>122</td> <td>1/2</td> <td>2900</td> <td>1\"/&gt;  <tr> <td>U-50</td> <td>"</td> <td>"</td> <td>V-675</td> <td>122</td> <td>1/2</td> <td>2900</td> <td>1\"/&gt;  </td></tr></td></tr></td></tr></td></tr></td></tr></td></tr></td></tr></td></tr></td></tr></td></tr></td></tr></td></tr></td></tr></td></tr></td></tr></td></tr></td></tr></td></tr></td></tr></td></tr></td></tr>   | U-30 | " | " | V-675 | 122 | 1/2 | 2900 | 1\"/> <tr> <td>U-31</td> <td>"</td> <td>"</td> <td>V-675</td> <td>122</td> <td>1/2</td> <td>2900</td> <td>1\"/&gt;  <tr> <td>U-32</td> <td>"</td> <td>"</td> <td>V-675</td> <td>122</td> <td>1/2</td> <td>2900</td> <td>1\"/&gt;  <tr> <td>U-33</td> <td>"</td> <td>"</td> <td>V-675</td> <td>122</td> <td>1/2</td> <td>2900</td> <td>1\"/&gt;  <tr> <td>U-34</td> <td>"</td> <td>"</td> <td>V-675</td> <td>122</td> <td>1/2</td> <td>2900</td> <td>1\"/&gt;  <tr> <td>U-35</td> <td>"</td> <td>"</td> <td>V-675</td> <td>122</td> <td>1/2</td> <td>2900</td> <td>1\"/&gt;  <tr> <td>U-36</td> <td>"</td> <td>"</td> <td>V-675</td> <td>122</td> <td>1/2</td> <td>2900</td> <td>1\"/&gt;  <tr> <td>U-37</td> <td>"</td> <td>"</td> <td>V-675</td> <td>122</td> <td>1/2</td> <td>2900</td> <td>1\"/&gt;  <tr> <td>U-38</td> <td>"</td> <td>"</td> <td>V-675</td> <td>122</td> <td>1/2</td> <td>2900</td> <td>1\"/&gt;  <tr> <td>U-39</td> <td>"</td> <td>"</td> <td>V-675</td> <td>122</td> <td>1/2</td> <td>2900</td> <td>1\"/&gt;  <tr> <td>U-40</td> <td>"</td> <td>"</td> <td>V-675</td> <td>122</td> <td>1/2</td> <td>2900</td> <td>1\"/&gt;  <tr> <td>U-41</td> <td>"</td> <td>"</td> <td>V-675</td> <td>122</td> <td>1/2</td> <td>2900</td> <td>1\"/&gt;  <tr> <td>U-42</td> <td>"</td> <td>"</td> <td>V-675</td> <td>122</td> <td>1/2</td> <td>2900</td> <td>1\"/&gt;  <tr> <td>U-43</td> <td>"</td> <td>"</td> <td>V-675</td> <td>122</td> <td>1/2</td> <td>2900</td> <td>1\"/&gt;  <tr> <td>U-44</td> <td>"</td> <td>"</td> <td>V-675</td> <td>122</td> <td>1/2</td> <td>2900</td> <td>1\"/&gt;  <tr> <td>U-45</td> <td>"</td> <td>"</td> <td>V-675</td> <td>122</td> <td>1/2</td> <td>2900</td> <td>1\"/&gt;  <tr> <td>U-46</td> <td>"</td> <td>"</td> <td>V-675</td> <td>122</td> <td>1/2</td> <td>2900</td> <td>1\"/&gt;  <tr> <td>U-47</td> <td>"</td> <td>"</td> <td>V-675</td> <td>122</td> <td>1/2</td> <td>2900</td> <td>1\"/&gt;  <tr> <td>U-48</td> <td>"</td> <td>"</td> <td>V-675</td> <td>122</td> <td>1/2</td> <td>2900</td> <td>1\"/&gt;  <tr> <td>U-49</td> <td>"</td> <td>"</td> <td>V-675</td> <td>122</td> <td>1/2</td> <td>2900</td> <td>1\"/&gt;  <tr> <td>U-50</td> <td>"</td> <td>"</td> <td>V-675</td> <td>122</td> <td>1/2</td> <td>2900</td> <td>1\"/&gt;  </td></tr></td></tr></td></tr></td></tr></td></tr></td></tr></td></tr></td></tr></td></tr></td></tr></td></tr></td></tr></td></tr></td></tr></td></tr></td></tr></td></tr></td></tr></td></tr></td></tr>  
  | U-31 | " | " | V-675 | 122 | 1/2 | 2900 | 1\"/> <tr> <td>U-32</td> <td>"</td> <td>"</td> <td>V-675</td> <td>122</td> <td>1/2</td> <td>2900</td> <td>1\"/&gt;  <tr> <td>U-33</td> <td>"</td> <td>"</td> <td>V-675</td> <td>122</td> <td>1/2</td> <td>2900</td> <td>1\"/&gt;  <tr> <td>U-34</td> <td>"</td> <td>"</td> <td>V-675</td> <td>122</td> <td>1/2</td> <td>2900</td> <td>1\"/&gt;  <tr> <td>U-35</td> <td>"</td> <td>"</td> <td>V-675</td> <td>122</td> <td>1/2</td> <td>2900</td> <td>1\"/&gt;  <tr> <td>U-36</td> <td>"</td> <td>"</td> <td>V-675</td> <td>122</td> <td>1/2</td> <td>2900</td> <td>1\"/&gt;  <tr> <td>U-37</td> <td>"</td> <td>"</td> <td>V-675</td> <td>122</td> <td>1/2</td> <td>2900</td> <td>1\"/&gt;  <tr> <td>U-38</td> <td>"</td> <td>"</td> <td>V-675</td> <td>122</td> <td>1/2</td> <td>2900</td> <td>1\"/&gt;  <tr> <td>U-39</td> <td>"</td> <td>"</td> <td>V-675</td> <td>122</td> <td>1/2</td> <td>2900</td> <td>1\"/&gt;  <tr> <td>U-40</td> <td>"</td> <td>"</td> <td>V-675</td> <td>122</td> <td>1/2</td> <td>2900</td> <td>1\"/&gt;  <tr> <td>U-41</td> <td>"</td> <td>"</td> <td>V-675</td> <td>122</td> <td>1/2</td> <td>2900</td> <td>1\"/&gt;  <tr> <td>U-42</td> <td>"</td> <td>"</td> <td>V-675</td> <td>122</td> <td>1/2</td> <td>2900</td> <td>1\"/&gt;  <tr> <td>U-43</td> <td>"</td> <td>"</td> <td>V-675</td> <td>122</td> <td>1/2</td> <td>2900</td> <td>1\"/&gt;  <tr> <td>U-44</td> <td>"</td> <td>"</td> <td>V-675</td> <td>122</td> <td>1/2</td> <td>2900</td> <td>1\"/&gt;  <tr> <td>U-45</td> <td>"</td> <td>"</td> <td>V-675</td> <td>122</td> <td>1/2</td> <td>2900</td> <td>1\"/&gt;  <tr> <td>U-46</td> <td>"</td> <td>"</td> <td>V-675</td> <td>122</td> <td>1/2</td> <td>2900</td> <td>1\"/&gt;  <tr> <td>U-47</td> <td>"</td> <td>"</td> <td>V-675</td> <td>122</td> <td>1/2</td> <td>2900</td> <td>1\"/&gt;  <tr> <td>U-48</td> <td>"</td> <td>"</td> <td>V-675</td> <td>122</td> <td>1/2</td> <td>2900</td> <td>1\"/&gt;  <tr> <td>U-49</td> <td>"</td> <td>"</td> <td>V-675</td> <td>122</td> <td>1/2</td> <td>2900</td> <td>1\"/&gt;  <tr> <td>U-50</td> <td>"</td> <td>"</td> <td>V-675</td> <td>122</td> <td>1/2</td> <td>2900</td> <td>1\"/&gt;  </td></tr></td></tr></td></tr></td></tr></td></tr></td></tr></td></tr></td></tr></td></tr></td></tr></td></tr></td></tr></td></tr></td></tr></td></tr></td></tr></td></tr></td></tr></td></tr>   | U-32 | " | " | V-675 | 122 | 1/2 | 2900 | 1\"/> <tr> <td>U-33</td> <td>"</td> <td>"</td> <td>V-675</td> <td>122</td> <td>1/2</td> <td>2900</td> <td>1\"/&gt;  <tr> <td>U-34</td> <td>"</td> <td>"</td> <td>V-675</td> <td>122</td> <td>1/2</td> <td>2900</td> <td>1\"/&gt;  <tr> <td>U-35</td> <td>"</td> <td>"</td> <td>V-675</td> <td>122</td> <td>1/2</td> <td>2900</td> <td>1\"/&gt;  <tr> <td>U-36</td> <td>"</td> <td>"</td> <td>V-675</td> <td>122</td> <td>1/2</td> <td>2900</td> <td>1\"/&gt;  <tr> <td>U-37</td> <td>"</td> <td>"</td> <td>V-675</td> <td>122</td> <td>1/2</td> <td>2900</td> <td>1\"/&gt;  <tr> <td>U-38</td> <td>"</td> <td>"</td> <td>V-675</td> <td>122</td> <td>1/2</td> <td>2900</td> <td>1\"/&gt;  <tr> <td>U-39</td> <td>"</td> <td>"</td> <td>V-675</td> <td>122</td> <td>1/2</td> <td>2900</td> <td>1\"/&gt;  <tr> <td>U-40</td> <td>"</td> <td>"</td> <td>V-675</td> <td>122</td> <td>1/2</td> <td>2900</td> <td>1\"/&gt;  <tr> <td>U-41</td> <td>"</td> <td>"</td> <td>V-675</td> <td>122</td> <td>1/2</td> <td>2900</td> <td>1\"/&gt;  <tr> <td>U-42</td> <td>"</td> <td>"</td> <td>V-675</td> <td>122</td> <td>1/2</td> <td>2900</td> <td>1\"/&gt;  <tr> <td>U-43</td> <td>"</td> <td>"</td> <td>V-675</td> <td>122</td> <td>1/2</td> <td>2900</td> <td>1\"/&gt;  <tr> <td>U-44</td> <td>"</td> <td>"</td> <td>V-675</td> <td>122</td> <td>1/2</td> <td>2900</td> <td>1\"/&gt;  <tr> <td>U-45</td> <td>"</td> <td>"</td> <td>V-675</td> <td>122</td> <td>1/2</td> <td>2900</td> <td>1\"/&gt;  <tr> <td>U-46</td> <td>"</td> <td>"</td> <td>V-675</td> <td>122</td> <td>1/2</td> <td>2900</td> <td>1\"/&gt;  <tr> <td>U-47</td> <td>"</td> <td>"</td> <td>V-675</td> <td>122</td> <td>1/2</td> <td>2900</td> <td>1\"/&gt;  <tr> <td>U-48</td> <td>"</td> <td>"</td> <td>V-675</td> <td>122</td> <td>1/2</td> <td>2900</td> <td>1\"/&gt;  <tr> <td>U-49</td> <td>"</td> <td>"</td> <td>V-675</td> <td>122</td> <td>1/2</td> <td>2900</td> <td>1\"/&gt;  <tr> <td>U-50</td> <td>"</td> <td>"</td> <td>V-675</td> <td>122</td> <td>1/2</td> <td>2900</td> <td>1\"/&gt;  </td></tr></td></tr></td></tr></td></tr></td></tr></td></tr></td></tr></td></tr></td></tr></td></tr></td></tr></td></tr></td></tr></td></tr></td></tr></td></tr></td></tr></td></tr>   | U-33 | " | " | V-675 | 122 | 1/2 | 2900 | 1\"/> <tr> <td>U-34</td> <td>"</td> <td>"</td> <td>V-675</td> <td>122</td> <td>1/2</td> <td>2900</td> <td>1\"/&gt;  <tr> <td>U-35</td> <td>"</td> <td>"</td> <td>V-675</td> <td>122</td> <td>1/2</td> <td>2900</td> <td>1\"/&gt;  <tr> <td>U-36</td> <td>"</td> <td>"</td> <td>V-675</td> <td>122</td> <td>1/2</td> <td>2900</td> <td>1\"/&gt;  <tr> <td>U-37</td> <td>"</td> <td>"</td> <td>V-675</td> <td>122</td> <td>1/2</td> <td>2900</td> <td>1\"/&gt;  <tr> <td>U-38</td> <td>"</td> <td>"</td> <td>V-675</td> <td>122</td> <td>1/2</td> <td>2900</td> <td>1\"/&gt;  <tr> <td>U-39</td> <td>"</td> <td>"</td> <td>V-675</td> <td>122</td> <td>1/2</td> <td>2900</td> <td>1\"/&gt;  <tr> <td>U-40</td> <td>"</td> <td>"</td> <td>V-675</td> <td>122</td> <td>1/2</td>
<td>2900</td> <td>1\"/&gt;  <tr> <td>U-41</td> <td>"</td> <td>"</td> <td>V-675</td> <td>122</td> <td>1/2</td> <td>2900</td> <td>1\"/&gt;  <tr> <td>U-42</td> <td>"</td> <td>"</td> <td>V-675</td> <td>122</td> <td>1/2</td> <td>2900</td> <td>1\"/&gt;  <tr> <td>U-43</td> <td>"</td> <td>"</td> <td>V-675</td> <td>122</td> <td>1/2</td> <td>2900</td> <td>1\"/&gt;  <tr> <td>U-44</td> <td>"</td> <td>"</td> <td>V-675</td> <td>122</td> <td>1/2</td> <td>2900</td> <td>1\"/&gt;  <tr> <td>U-45</td> <td>"</td> <td>"</td> <td>V-675</td> <td>122</td> <td>1/2</td> <td>2900</td> <td>1\"/&gt;  <tr> <td>U-46</td> <td>"</td> <td>"</td> <td>V-675</td> <td>122</td> <td>1/2</td> <td>2900</td> <td>1\"/&gt;  <tr> <td>U-47</td> <td>"</td> <td>"</td> <td>V-675</td> <td>122</td> <td>1/2</td> <td>2900</td> <td>1\"/&gt;  <tr> <td>U-48</td> <td>"</td> <td>"</td> <td>V-675</td> <td>122</td> <td>1/2</td> <td>2900</td> <td>1\"/&gt;  <tr> <td>U-49</td> <td>"</td> <td>"</td> <td>V-675</td> <td>122</td> <td>1/2</td> <td>2900</td> <td>1\"/&gt;  <tr> <td>U-50</td> <td>"</td> <td>"</td> <td>V-675</td> <td>122</td> <td>1/2</td> <td>2900</td> <td>1\"/&gt;  </td></tr></td></tr></td></tr></td></tr></td></tr></td></tr></td></tr></td></tr></td></tr></td></tr></td></tr></td></tr></td></tr></td></tr></td></tr></td></tr></td></tr>   | U-34 | " | " | V-675 | 122 | 1/2 | 2900 | 1\"/> <tr> <td>U-35</td> <td>"</td> <td>"</td> <td>V-675</td> <td>122</td> <td>1/2</td> <td>2900</td> <td>1\"/&gt;  <tr> <td>U-36</td> <td>"</td> <td>"</td> <td>V-675</td> <td>122</td> <td>1/2</td> <td>2900</td> <td>1\"/&gt;  <tr> <td>U-37</td> <td>"</td> <td>"</td> <td>V-675</td> <td>122</td> <td>1/2</td> <td>2900</td> <td>1\"/&gt;  <tr> <td>U-38</td> <td>"</td> <td>"</td> <td>V-675</td> <td>122</td> <td>1/2</td> <td>2900</td> <td>1\"/&gt;  <tr> <td>U-39</td> <td>"</td> <td>"</td> <td>V-675</td> <td>122</td> <td>1/2</td> <td>2900</td> <td>1\"/&gt;  <tr> <td>U-40</td> <td>"</td> <td>"</td> <td>V-675</td> <td>122</td> <td>1/2</td> <td>2900</td> <td>1\"/&gt;  <tr> <td>U-41</td> <td>"</td> <td>"</td> <td>V-675</td> <td>122</td> <td>1/2</td> <td>2900</td> <td>1\"/&gt;  <tr> <td>U-42</td> <td>"</td> <td>"</td> <td>V-675</td> <td>122</td> <td>1/2</td> <td>2900</td> <td>1\"/&gt;  <tr> <td>U-43</td> <td>"</td> <td>"</td> <td>V-675</td> <td>122</td> <td>1/2</td> <td>2900</td> <td>1\"/&gt;  <tr> <td>U-44</td> <td>"</td> <td>"</td> <td>V-675</td> <td>122</td> <td>1/2</td> <td>2900</td> <td>1\"/&gt;  <tr> <td>U-45</td> <td>"</td> <td>"</td> <td>V-675</td> <td>122</td> <td>1/2</td> <td>2900</td> <td>1\"/&gt;  <tr> <td>U-46</td> <td>"</td> <td>"</td> <td>V-675</td> <td>122</td> <td>1/2</td> <td>2900</td> <td>1\"/&gt;  <tr> <td>U-47</td> <td>"</td> <td>"</td> <td>V-675</td> <td>122</td> <td>1/2</td> <td>2900</td> <td>1\"/&gt;  <tr> <td>U-48</td> <td>"</td> <td>"</td> <td>V-675</td> <td>122</td> <td>1/2</td> <td>2900</td> <td>1\"/&gt;  <tr> <td>U-49</td> <td>"</td> <td>"</td> <td>V-675</td> <td>122</td> <td>1/2</td> <td>2900</td> <td>1\"/&gt;  <tr> <td>U-50</td> <td>"</td> <td>"</td> <td>V-675</td> <td>122</td> <td>1/2</td> <td>2900</td> <td>1\"/&gt;  </td></tr></td></tr></td></tr></td></tr></td></tr></td></tr></td></tr></td></tr></td></tr></td></tr></td></tr></td></tr></td></tr></td></tr></td></tr></td></tr>   | U-35 | " | " | V-675 | 122 | 1/2 | 2900 | 1\"/> <tr> <td>U-36</td> <td>"</td> <td>"</td> <td>V-675</td> <td>122</td> <td>1/2</td> <td>2900</td> <td>1\"/&gt;  <tr> <td>U-37</td> <td>"</td> <td>"</td> <td>V-675</td> <td>122</td> <td>1/2</td> <td>2900</td> <td>1\"/&gt;  <tr> <td>U-38</td> <td>"</td> <td>"</td> <td>V-675</td> <td>122</td> <td>1/2</td> <td>2900</td> <td>1\"/&gt;  <tr> <td>U-39</td> <td>"</td> <td>"</td> <td>V-675</td> <td>122</td> <td>1/2</td> <td>2900</td> <td>1\"/&gt;  <tr> <td>U-40</td> <td>"</td> <td>"</td> <td>V-675</td> <td>122</td> <td>1/2</td> <td>2900</td> <td>1\"/&gt;  <tr> <td>U-41</td> <td>"</td> <td>"</td> <td>V-675</td> <td>122</td> <td>1/2</td> <td>2900</td> <td>1\"/&gt;  <tr> <td>U-42</td> <td>"</td> <td>"</td> <td>V-675</td> <td>122</td> <td>1/2</td> <td>2900</td> <td>1\"/&gt;  <tr> <td>U-43</td> <td>"</td> <td>"</td> <td>V-675</td> <td>122</td> <td>1/2</td> <td>2900</td> <td>1\"/&gt;  <tr> <td>U-44</td> <td>"</td> <td>"</td> <td>V-675</td> <td>122</td> <td>1/2</td> <td>2900</td> <td>1\"/&gt;  <tr> <td>U-45</td> <td>"</td> <td>"</td> <td>V-675</td> <td>122</td> <td>1/2</td> <td>2900</td> <td>1\"/&gt;  <tr> <td>U-46</td> <td>"</td> <td>"</td> <td>V-675</td> <td>122</td> <td>1/2</td> <td>2900</td> <td>1\"/&gt;  <tr> <td>U-47</td> <td>"</td> <td>"</td> <td>V-675</td> <td>122</td> <td>1/2</td> <td>2900</td> <td>1\"/&gt;  <tr> <td>U-48</td> <td>"</td> <td>"</td> <td>V-675</td> <td>122</td> <td>1/2</td> <td>2900</td> <td>1\"/&gt;  <tr> <td>U-49</td> <td>"</td> <td>"</td> <td>V-675</td> <td>122</td> <td>1/2</td> <td>2900</td> <td>1\"/&gt;  <tr> <td>U-50</td> <td>"</td> <td>"</td> <td>V-675</td> <td>122</td> <td>1/2</td> <td>2900</td> <td>1\"/&gt;  </td></tr></td></tr></td></tr></td></tr></td></tr></td></tr></td></tr></td></tr></td></tr></td></tr></td></tr></td></tr></td></tr></td></tr></td></tr>   
   | U-36 | " | " | V-675 | 122 | 1/2 | 2900 | 1\"/> <tr> <td>U-37</td> <td>"</td> <td>"</td> <td>V-675</td> <td>122</td> <td>1/2</td> <td>2900</td> <td>1\"/&gt;  <tr> <td>U-38</td> <td>"</td> <td>"</td> <td>V-675</td> <td>122</td> <td>1/2</td> <td>2900</td> <td>1\"/&gt;  <tr> <td>U-39</td> <td>"</td> <td>"</td> <td>V-675</td> <td>122</td> <td>1/2</td> <td>2900</td> <td>1\"/&gt;  <tr> <td>U-40</td> <td>"</td> <td>"</td> <td>V-675</td> <td>122</td> <td>1/2</td> <td>2900</td> <td>1\"/&gt;  <tr> <td>U-41</td> <td>"</td> <td>"</td> <td>V-675</td> <td>122</td> <td>1/2</td> <td>2900</td> <td>1\"/&gt;  <tr> <td>U-42</td> <td>"</td> <td>"</td> <td>V-675</td> <td>122</td> <td>1/2</td> <td>2900</td> <td>1\"/&gt;  <tr> <td>U-43</td> <td>"</td> <td>"</td> <td>V-675</td> <td>122</td> <td>1/2</td> <td>2900</td> <td>1\"/&gt;  <tr> <td>U-44</td> <td>"</td> <td>"</td> <td>V-675</td> <td>122</td> <td>1/2</td> <td>2900</td> <td>1\"/&gt;  <tr> <td>U-45</td> <td>"</td> <td>"</td> <td>V-675</td> <td>122</td> <td>1/2</td> <td>2900</td> <td>1\"/&gt;  <tr> <td>U-46</td> <td>"</td> <td>"</td> <td>V-675</td> <td>122</td> <td>1/2</td> <td>2900</td> <td>1\"/&gt;  <tr> <td>U-47</td> <td>"</td> <td>"</td> <td>V-675</td> <td>122</td> <td>1/2</td> <td>2900</td> <td>1\"/&gt;  <tr> <td>U-48</td> <td>"</td> <td>"</td> <td>V-675</td> <td>122</td> <td>1/2</td> <td>2900</td> <td>1\"/&gt;  <tr> <td>U-49</td> <td>"</td> <td>"</td> <td>V-675</td> <td>122</td> <td>1/2</td> <td>2900</td> <td>1\"/&gt;  <tr> <td>U-50</td> <td>"</td> <td>"</td> <td>V-675</td> <td>122</td> <td>1/2</td> <td>2900</td> <td>1\"/&gt;  </td></tr></td></tr></td></tr></td></tr></td></tr></td></tr></td></tr></td></tr></td></tr></td></tr></td></tr></td></tr></td></tr></td></tr>   | U-37 | " | " | V-675 | 122 | 1/2 | 2900 | 1\"/> <tr> <td>U-38</td> <td>"</td> <td>"</td> <td>V-675</td> <td>122</td> <td>1/2</td> <td>2900</td> <td>1\"/&gt;  <tr> <td>U-39</td> <td>"</td> <td>"</td> <td>V-675</td> <td>122</td> <td>1/2</td> <td>2900</td> <td>1\"/&gt;  <tr> <td>U-40</td> <td>"</td> <td>"</td> <td>V-675</td> <td>122</td> <td>1/2</td> <td>2900</td> <td>1\"/&gt;  <tr> <td>U-41</td> <td>"</td> <td>"</td> <td>V-675</td> <td>122</td> <td>1/2</td> <td>2900</td> <td>1\"/&gt;  <tr> <td>U-42</td> <td>"</td> <td>"</td> <td>V-675</td> <td>122</td> <td>1/2</td> <td>2900</td> <td>1\"/&gt;  <tr> <td>U-43</td> <td>"</td> <td>"</td> <td>V-675</td> <td>122</td> <td>1/2</td> <td>2900</td> <td>1\"/&gt;  <tr> <td>U-44</td> <td>"</td> <td>"</td> <td>V-675</td> <td>122</td> <td>1/2</td> <td>2900</td> <td>1\"/&gt;  <tr> <td>U-45</td> <td>"</td> <td>"</td> <td>V-675</td> <td>122</td> <td>1/2</td> <td>2900</td> <td>1\"/&gt;  <tr> <td>U-46</td> <td>"</td> <td>"</td> <td>V-675</td> <td>122</td> <td>1/2</td> <td>2900</td> <td>1\"/&gt;  <tr> <td>U-47</td> <td>"</td> <td>"</td> <td>V-675</td> <td>122</td> <td>1/2</td> <td>2900</td> <td>1\"/&gt;  <tr> <td>U-48</td> <td>"</td> <td>"</td> <td>V-675</td> <td>122</td> <td>1/2</td> <td>2900</td> <td>1\"/&gt;  <tr> <td>U-49</td> <td>"</td> <td>"</td> <td>V-675</td> <td>122</td> <td>1/2</td> <td>2900</td> <td>1\"/&gt;  <tr> <td>U-50</td> <td>"</td> <td>"</td> <td>V-675</td> <td>122</td> <td>1/2</td> <td>2900</td> <td>1\"/&gt;  </td></tr></td></tr></td></tr></td></tr></td></tr></td></tr></td></tr></td></tr></td></tr></td></tr></td></tr></td></tr></td></tr>   | U-38 | " | " | V-675 | 122 | 1/2 | 2900 | 1\"/> <tr> <td>U-39</td> <td>"</td> <td>"</td> <td>V-675</td> <td>122</td> <td>1/2</td> <td>2900</td> <td>1\"/&gt;  <tr> <td>U-40</td> <td>"</td> <td>"</td> <td>V-675</td> <td>122</td> <td>1/2</td> <td>2900</td> <td>1\"/&gt;  <tr> <td>U-41</td> <td>"</td> <td>"</td> <td>V-675</td> <td>122</td> <td>1/2</td> <td>2900</td> <td>1\"/&gt;  <tr> <td>U-42</td> <td>"</td> <td>"</td> <td>V-675</td> <td>122</td> <td>1/2</td> <td>2900</td> <td>1\"/&gt;  <tr> <td>U-43</td> <td>"</td> <td>"</td> <td>V-675</td> <td>122</td> <td>1/2</td> <td>2900</td> <td>1\"/&gt;  <tr> <td>U-44</td> <td>"</td> <td>"</td> <td>V-675</td> <td>122</td> <td>1/2</td> <td>2900</td> <td>1\"/&gt;  <tr> <td>U-45</td> <td>"</td> <td>"</td> <td>V-675</td> <td>122</td> <td>1/2</td> <td>2900</td> <td>1\"/&gt;  <tr> <td>U-46</td> <td>"</td> <td>"</td> <td>V-675</td> <td>122</td> <td>1/2</td> <td>2900</td> <td>1\"/&gt;  <tr> <td>U-47</td> <td>"</td> <td>"</td> <td>V-675</td> <td>122</td> <td>1/2</td> <td>2900</td> <td>1\"/&gt;  <tr> <td>U-48</td> <td>"</td> <td>"</td> <td>V-675</td> <td>122</td> <td>1/2</td> <td>2900</td> <td>1\"/&gt;  <tr> <td>U-49</td> <td>"</td> <td>"</td> <td>V-675</td> <td>122</td> <td>1/2</td> <td>2900</td> <td>1\"/&gt;  <tr> <td>U-50</td> <td>"</td> <td>"</td> <td>V-675</td> <td>122</td> <td>1/2</td> <td>2900</td> <td>1\"/&gt;  </td></tr></td></tr></td></tr></td></tr></td></tr></td></tr></td></tr></td></tr></td></tr></td></tr></td></tr></td></tr>  
  | U-39 | " | " | V-675 | 122 | 1/2 | 2900 | 1\"/> <tr> <td>U-40</td> <td>"</td> <td>"</td> <td>V-675</td> <td>122</td> <td>1/2</td> <td>2900</td> <td>1\"/&gt;  <tr> <td>U-41</td> <td>"</td> <td>"</td> <td>V-675</td> <td>122</td> <td>1/2</td> <td>2900</td> <td>1\"/&gt;  <tr> <td>U-42</td> <td>"</td> <td>"</td> <td>V-675</td> <td>122</td> <td>1/2</td> <td>2900</td> <td>1\"/&gt;  <tr> <td>U-43</td> <td>"</td> <td>"</td> <td>V-675</td> <td>122</td> <td>1/2</td> <td>2900</td> <td>1\"/&gt;  <tr> <td>U-44</td> <td>"</td> <td>"</td> <td>V-675</td> <td>122</td> <td>1/2</td> <td>2900</td> <td>1\"/&gt;  <tr> <td>U-45</td> <td>"</td> <td>"</td> <td>V-675</td> <td>122</td> <td>1/2</td> <td>2900</td> <td>1\"/&gt;  <tr> <td>U-46</td> <td>"</td> <td>"</td> <td>V-675</td> <td>122</td> <td>1/2</td> <td>2900</td> <td>1\"/&gt;  <tr> <td>U-47</td> <td>"</td> <td>"</td> <td>V-675</td> <td>122</td> <td>1/2</td> <td>2900</td> <td>1\"/&gt;  <tr> <td>U-48</td> <td>"</td> <td>"</td> <td>V-675</td> <td>122</td> <td>1/2</td> <td>2900</td> <td>1\"/&gt;  <tr> <td>U-49</td> <td>"</td> <td>"</td> <td>V-675</td> <td>122</td> <td>1/2</td> <td>2900</td> <td>1\"/&gt;  <tr> <td>U-50</td> <td>"</td> <td>"</td> <td>V-675</td> <td>122</td> <td>1/2</td> <td>2900</td> <td>1\"/&gt;  </td></tr></td></tr></td></tr></td></tr></td></tr></td></tr></td></tr></td></tr></td></tr></td></tr></td></tr>   | U-40 | " | " | V-675 | 122 | 1/2 | 2900 | 1\"/> <tr> <td>U-41</td> <td>"</td> <td>"</td> <td>V-675</td> <td>122</td> <td>1/2</td> <td>2900</td> <td>1\"/&gt;  <tr> <td>U-42</td> <td>"</td> <td>"</td> <td>V-675</td> <td>122</td> <td>1/2</td> <td>2900</td> <td>1\"/&gt;  <tr> <td>U-43</td> <td>"</td> <td>"</td> <td>V-675</td> <td>122</td> <td>1/2</td> <td>2900</td> <td>1\"/&gt;  <tr> <td>U-44</td> <td>"</td> <td>"</td> <td>V-675</td> <td>122</td> <td>1/2</td> <td>2900</td> <td>1\"/&gt;  <tr> <td>U-45</td> <td>"</td> <td>"</td> <td>V-675</td> <td>122</td> <td>1/2</td> <td>2900</td> <td>1\"/&gt;  <tr> <td>U-46</td> <td>"</td> <td>"</td> <td>V-675</td> <td>122</td> <td>1/2</td> <td>2900</td> <td>1\"/&gt;  <tr> <td>U-47</td> <td>"</td> <td>"</td> <td>V-675</td> <td>122</td> <td>1/2</td> <td>2900</td> <td>1\"/&gt;  <tr> <td>U-48</td> <td>"</td> <td>"</td> <td>V-675</td> <td>122</td> <td>1/2</td> <td>2900</td> <td>1\"/&gt;  <tr> <td>U-49</td> <td>"</td> <td>"</td> <td>V-675</td> <td>122</td> <td>1/2</td> <td>2900</td> <td>1\"/&gt;  <tr> <td>U-50</td> <td>"</td> <td>"</td> <td>V-675</td> <td>122</td> <td>1/2</td> <td>2900</td> <td>1\"/&gt;  </td></tr></td></tr></td></tr></td></tr></td></tr></td></tr></td></tr></td></tr></td></tr></td></tr>   | U-41 | " | " | V-675 | 122 | 1/2 | 2900 | 1\"/> <tr> <td>U-42</td> <td>"</td> <td>"</td> <td>V-675</td> <td>122</td> <td>1/2</td> <td>2900</td> <td>1\"/&gt;  <tr> <td>U-43</td> <td>"</td> <td>"</td> <td>V-675</td> <td>122</td> <td>1/2</td> <td>2900</td> <td>1\"/&gt;  <tr> <td>U-44</td> <td>"</td> <td>"</td> <td>V-675</td> <td>122</td> <td>1/2</td> <td>2900</td> <td>1\"/&gt;  <tr> <td>U-45</td> <td>"</td> <td>"</td> <td>V-675</td> <td>122</td> <td>1/2</td> <td>2900</td> <td>1\"/&gt;  <tr> <td>U-46</td> <td>"</td> <td>"</td> <td>V-675</td> <td>122</td> <td>1/2</td> <td>2900</td> <td>1\"/&gt;  <tr> <td>U-47</td> <td>"</td> <td>"</td> <td>V-675</td> <td>122</td> <td>1/2</td> <td>2900</td> <td>1\"/&gt;  <tr> <td>U-48</td> <td>"</td> <td>"</td> <td>V-675</td> <td>122</td> <td>1/2</td> <td>2900</td> <td>1\"/&gt;  <tr> <td>U-49</td> <td>"</td> <td>"</td> <td>V-675</td> <td>122</td> <td>1/2</td> <td>2900</td> <td>1\"/&gt;  <tr> <td>U-50</td> <td>"</td> <td>"</td> <td>V-675</td> <td>122</td> <td>1/2</td> <td>2900</td> <td>1\"/&gt;  </td></tr></td></tr></td></tr></td></tr></td></tr></td></tr></td></tr></td></tr></td></tr>   | U-42 | " | " | V-675 | 122 | 1/2 | 2900 | 1\"/> <tr> <td>U-43</td> <td>"</td> <td>"</td>
<td>V-675</td> <td>122</td> <td>1/2</td> <td>2900</td> <td>1\"/&gt;  <tr> <td>U-44</td> <td>"</td> <td>"</td> <td>V-675</td> <td>122</td> <td>1/2</td> <td>2900</td> <td>1\"/&gt;  <tr> <td>U-45</td> <td>"</td> <td>"</td> <td>V-675</td> <td>122</td> <td>1/2</td> <td>2900</td> <td>1\"/&gt;  <tr> <td>U-46</td> <td>"</td> <td>"</td> <td>V-675</td> <td>122</td> <td>1/2</td> <td>2900</td> <td>1\"/&gt;  <tr> <td>U-47</td> <td>"</td> <td>"</td> <td>V-675</td> <td>122</td> <td>1/2</td> <td>2900</td> <td>1\"/&gt;  <tr> <td>U-48</td> <td>"</td> <td>"</td> <td>V-675</td> <td>122</td> <td>1/2</td> <td>2900</td> <td>1\"/&gt;  <tr> <td>U-49</td> <td>"</td> <td>"</td> <td>V-675</td> <td>122</td> <td>1/2</td> <td>2900</td> <td>1\"/&gt;  <tr> <td>U-50</td> <td>"</td> <td>"</td> <td>V-675</td> <td>122</td> <td>1/2</td> <td>2900</td> <td>1\"/&gt;  </td></tr></td></tr></td></tr></td></tr></td></tr></td></tr></td></tr></td></tr>   | U-43 | " | " | V-675 | 122 | 1/2 | 2900 | 1\"/> <tr> <td>U-44</td> <td>"</td> <td>"</td> <td>V-675</td> <td>122</td> <td>1/2</td> <td>2900</td> <td>1\"/&gt;  <tr> <td>U-45</td> <td>"</td> <td>"</td> <td>V-675</td> <td>122</td> <td>1/2</td> <td>2900</td> <td>1\"/&gt;  <tr> <td>U-46</td> <td>"</td> <td>"</td> <td>V-675</td> <td>122</td> <td>1/2</td> <td>2900</td> <td>1\"/&gt;  <tr> <td>U-47</td> <td>"</td> <td>"</td> <td>V-675</td> <td>122</td> <td>1/2</td> <td>2900</td> <td>1\"/&gt;  <tr> <td>U-48</td> <td>"</td> <td>"</td> <td>V-675</td> <td>122</td> <td>1/2</td> <td>2900</td> <td>1\"/&gt;  <tr> <td>U-49</td> <td>"</td> <td>"</td> <td>V-675</td> <td>122</td> <td>1/2</td> <td>2900</td> <td>1\"/&gt;  <tr> <td>U-50</td> <td>"</td> <td>"</td> <td>V-675</td> <td>122</td> <td>1/2</td> <td>2900</td> <td>1\"/&gt;  </td></tr></td></tr></td></tr></td></tr></td></tr></td></tr></td></tr>   | U-44 | " | " | V-675 | 122 | 1/2 | 2900 | 1\"/> <tr> <td>U-45</td> <td>"</td> <td>"</td> <td>V-675</td> <td>122</td> <td>1/2</td> <td>2900</td> <td>1\"/&gt;  <tr> <td>U-46</td> <td>"</td> <td>"</td> <td>V-675</td> <td>122</td> <td>1/2</td> <td>2900</td> <td>1\"/&gt;  <tr> <td>U-47</td> <td>"</td> <td>"</td> <td>V-675</td> <td>122</td> <td>1/2</td> <td>2900</td> <td>1\"/&gt;  <tr> <td>U-48</td> <td>"</td> <td>"</td> <td>V-675</td> <td>122</td> <td>1/2</td> <td>2900</td> <td>1\"/&gt;  <tr> <td>U-49</td> <td>"</td> <td>"</td> <td>V-675</td> <td>122</td> <td>1/2</td> <td>2900</td> <td>1\"/&gt;  <tr> <td>U-50</td> <td>"</td> <td>"</td> <td>V-675</td> <td>122</td> <td>1/2</td> <td>2900</td> <td>1\"/&gt;  </td></tr></td></tr></td></tr></td></tr></td></tr></td></tr>   | U-45 | " | " | V-675 | 122 | 1/2 | 2900 | 1\"/> <tr> <td>U-46</td> <td>"</td> <td>"</td> <td>V-675</td> <td>122</td> <td>1/2</td> <td>2900</td> <td>1\"/&gt;  <tr> <td>U-47</td> <td>"</td> <td>"</td> <td>V-675</td> <td>122</td> <td>1/2</td> <td>2900</td> <td>1\"/&gt;  <tr> <td>U-48</td> <td>"</td> <td>"</td> <td>V-675</td> <td>122</td> <td>1/2</td> <td>2900</td> <td>1\"/&gt;  <tr> <td>U-49</td> <td>"</td> <td>"</td> <td>V-675</td> <td>122</td> <td>1/2</td> <td>2900</td> <td>1\"/&gt;  <tr> <td>U-50</td> <td>"</td> <td>"</td> <td>V-675</td> <td>122</td> <td>1/2</td> <td>2900</td> <td>1\"/&gt;  </td></tr></td></tr></td></tr></td></tr></td></tr>   
   | U-46 | " | " | V-675 | 122 | 1/2 | 2900 | 1\"/> <tr> <td>U-47</td> <td>"</td> <td>"</td> <td>V-675</td> <td>122</td> <td>1/2</td> <td>2900</td> <td>1\"/&gt;  <tr> <td>U-48</td> <td>"</td> <td>"</td> <td>V-675</td> <td>122</td> <td>1/2</td> <td>2900</td> <td>1\"/&gt;  <tr> <td>U-49</td> <td>"</td> <td>"</td> <td>V-675</td> <td>122</td> <td>1/2</td> <td>2900</td> <td>1\"/&gt;  <tr> <td>U-50</td> <td>"</td> <td>"</td> <td>V-675</td> <td>122</td> <td>1/2</td> <td>2900</td> <td>1\"/&gt;  </td></tr></td></tr></td></tr></td></tr>   | U-47 | " | " | V-675 | 122 | 1/2 | 2900 | 1\"/> <tr> <td>U-48</td> <td>"</td> <td>"</td> <td>V-675</td> <td>122</td> <td>1/2</td> <td>2900</td> <td>1\"/&gt;  <tr> <td>U-49</td> <td>"</td> <td>"</td> <td>V-675</td> <td>122</td> <td>1/2</td> <td>2900</td> <td>1\"/&gt;  <tr> <td>U-50</td> <td>"</td> <td>"</td> <td>V-675</td> <td>122</td> <td>1/2</td> <td>2900</td> <td>1\"/&gt;  </td></tr></td></tr></td></tr>   | U-48 | " | " | V-675 | 122 | 1/2 | 2900 | 1\"/> <tr> <td>U-49</td> <td>"</td> <td>"</td> <td>V-675</td> <td>122</td> <td>1/2</td> <td>2900</td> <td>1\"/&gt;  <tr> <td>U-50</td> <td>"</td> <td>"</td> <td>V-675</td> <td>122</td> <td>1/2</td> <td>2900</td> <td>1\"/&gt;  </td></tr></td></tr>   | U-49 | " | " | V-675 | 122 | 1/2 | 2900 | 1\"/> <tr> <td>U-50</td> <td>"</td> <td>"</td> <td>V-675</td> <td>122</td> <td>1/2</td> <td>2900</td> <td>1\"/&gt;  </td></tr>   | U-50 | " | " | V-675 | 122 | 1/2 | 2900 | 1\"/>   
  |      |   |   |       |     |     |      |  |      |   |   |       |     |     |      |  |      |   |   |       |     |     |      |  |      |   |   |       |     |     |      |  |      |   |   |       |     |     |      |  |      |   |   |       |     |     |      |  |      |   |   |       |     |     |      |  
   |      |   |   |       |     |     |      |  |      |   |   |       |     |     |      |  |      |   |   |       |     |     |      |  |      |   |   |       |     |     |      |  |      |   |   |       |     |     |      |  |      |   |   |       |     |     |      |  |      |   |   |       |     |     |      |  |      |   |   |       |     |     |      |       |
| U-11 | "             | "                       | V-675    | 122  | 1/2           | 2900    | 1\"/> <tr> <td>U-12</td> <td>"</td> <td>"</td> <td>V-675</td> <td>122</td> <td>1/2</td> <td>2900</td> <td>1\"/&gt;  <tr> <td>U-13</td> <td>"</td> <td>"</td> <td>V-675</td> <td>122</td> <td>1/2</td> <td>2900</td> <td>1\"/&gt;  <tr> <td>U-14</td> <td>"</td> <td>"</td> <td>V-675</td> <td>122</td> <td>1/2</td> <td>2900</td> <td>1\"/&gt;  <tr> <td>U-15</td> <td>"</td> <td>"</td> <td>V-675</td> <td>122</td> <td>1/2</td> <td>2900</td> <td>1\"/&gt;  <tr> <td>U-16</td> <td>"</td> <td>"</td> <td>V-675</td> <td>122</td> <td>1/2</td> <td>2900</td> <td>1\"/&gt;  <tr> <td>U-17</td> <td>"</td> <td>"</td> <td>V-675</td> <td>122</td> <td>1/2</td> <td>2900</td> <td>1\"/&gt;  <tr> <td>U-18</td> <td>"</td> <td>"</td> <td>V-675</td> <td>122</td> <td>1/2</td> <td>2900</td> <td>1\"/&gt;  <tr> <td>U-19</td> <td>"</td> <td>"</td> <td>V-675</td> <td>122</td> <td>1/2</td> <td>2900</td> <td>1\"/&gt;  <tr> <td>U-20</td> <td>"</td> <td>"</td> <td>V-675</td> <td>122</td> <td>1/2</td> <td>2900</td> <td>1\"/&gt;  <tr> <td>U-21</td> <td>"</td> <td>"</td> <td>V-675</td> <td>122</td> <td>1/2</td> <td>2900</td> <td>1\"/&gt;  <tr> <td>U-22</td> <td>"</td> <td>"</td> <td>V-675</td> <td>122</td> <td>1/2</td> <td>2900</td> <td>1\"/&gt;  <tr> <td>U-23</td> <td>"</td> <td>"</td> <td>V-675</td> <td>122</td> <td>1/2</td> <td>2900</td> <td>1\"/&gt;  <tr> <td>U-24</td> <td>"</td> <td>"</td> <td>V-675</td> <td>122</td> <td>1/2</td> <td>2900</td> <td>1\"/&gt;  <tr> <td>U-25</td> <td>"</td> <td>"</td> <td>V-675</td> <td>122</td> <td>1/2</td> <td>2900</td> <td>1\"/&gt;  <tr> <td>U-26</td> <td>"</td> <td>"</td> <td>V-675</td> <td>122</td> <td>1/2</td> <td>2900</td> <td>1\"/&gt;  <tr> <td>U-27</td> <td>"</td> <td>"</td> <td>V-675</td> <td>122</td> <td>1/2</td> <td>2900</td> <td>1\"/&gt;  <tr> <td>U-28</td> <td>"</td> <td>"</td> <td>V-675</td> <td>122</td> <td>1/2</td> <td>2900</td> <td>1\"/&gt;  <tr> <td>U-29</td> <td>"</td> <td>"</td> <td>V-675</td> <td>122</td> <td>1/2</td> <td>2900</td> <td>1\"/&gt;  <tr> <td>U-30</td> <td>"</td> <td>"</td> <td>V-675</td> <td>122</td> <td>1/2</td> <td>2900</td> <td>1\"/&gt;  <tr> <td>U-31</td> <td>"</td> <td>"</td> <td>V-675</td> <td>122</td> <td>1/2</td> <td>2900</td> <td>1\"/&gt;  <tr> <td>U-32</td> <td>"</td> <td>"</td> <td>V-675</td> <td>122</td> <td>1/2</td> <td>2900</td> <td>1\"/&gt;  <tr> <td>U-33</td> <td>"</td> <td>"</td> <td>V-675</td> <td>122</td> <td>1/2</td> <td>2900</td> <td>1\"/&gt;  <tr> <td>U-34</td> <td>"</td> <td>"</td> <td>V-675</td> <td>122</td> <td>1/2</td> <td>2900</td> <td>1\"/&gt;  <tr> <td>U-35</td> <td>"</td> <td>"</td> <td>V-675</td> <td>122</td> <td>1/2</td> <td>2900</td> <td>1\"/&gt;  <tr> <td>U-36</td> <td>"</td> <td>"</td> <td>V-675</td> <td>122</td> <td>1/2</td> <td>2900</td> <td>1\"/&gt;  <tr> <td>U-37</td> <td>"</td> <td>"</td> <td>V-675</td> <td>122</td> <td>1/2</td> <td>2900</td> <td>1\"/&gt;  <tr> <td>U-38</td> <td>"</td> <td>"</td> <td>V-675</td> <td>122</td> <td>1/2</td> <td>2900</td> <td>1\"/&gt;  <tr> <td>U-39</td> <td>"</td> <td>"</td> <td>V-675</td> <td>122</td> <td>1/2</td> <td>2900</td> <td>1\"/&gt;  <tr> <td>U-40</td> <td>"</td> <td>"</td> <td>V-675</td> <td>122</td> <td>1/2</td> <td>2900</td> <td>1\"/&gt;  <tr> <td>U-41</td> <td>"</td> <td>"</td> <td>V-675</td> <td>122</td> <td>1/2</td> <td>2900</td> <td>1\"/&gt;  <tr> <td>U-42</td> <td>"</td> <td>"</td> <td>V-675</td> <td>122</td> <td>1/2</td> <td>2900</td> <td>1\"/&gt;  <tr> <td>U-43</td> <td>"</td> <td>"</td> <td>V-675</td> <td>122</td> <td>1/2</td> <td>2900</td> <td>1\"/&gt;  <tr> <td>U-44</td> <td>"</td> <td>"</td> <td>V-675</td> <td>122</td> <td>1/2</td> <td>2900</td> <td>1\"/&gt;  <tr> <td>U-45</td> <td>"</td> <td>"</td> <td>V-675</td> <td>122</td> <td>1/2</td> <td>2900</td> <td>1\"/&gt;  <tr> <td>U-46</td> <td>"</td> <td>"</td> <td>V-675</td> <td>122</td> <td>1/2</td> <td>2900</td> <td>1\"/&gt;  <tr> <td>U-47</td> <td>"</td> <td>"</td> <td>V-675</td> <td>122</td> <td>1/2</td> <td>2900</td> <td>1\"/&gt;  <tr> <td>U-48</td> <td>"</td> <td>"</td> <td>V-675</td> <td>122</td> <td>1/2</td> <td>2900</td> <td>1\"/&gt;  <tr> <td>U-49</td> <td>"</td> <td>"</td> <td>V-675</td> <td>122</td> <td>1/2</td> <td>2900</td> <td>1\"/&gt;  <tr> <td>U-50</td> <td>"</td> <td>"</td> <td>V-675</td> <td>122</td> <td>1/2</td> <td>2900</td> <td>1\"/&gt;  </td></tr></td></tr></td></tr></td></tr></td></tr></td></tr></td></tr></td></tr></td></tr></td></tr></td></tr></td></tr></td></tr></td></tr></td></tr></td></tr></td></tr></td></tr></td></tr></td></tr></td></tr></td></tr></td></tr></td></tr></td></tr></td></tr></td></tr></td></tr></td></tr></td></tr></td></tr></td></tr></td></tr></td></tr></td></tr></td></tr></td></tr></td></tr></td></tr>  | U-12 | " | " | V-675  | 122  | 1/2 | 2900   | 1\"/> <tr> <td>U-13</td> <td>"</td> <td>"</td> <td>V-675</td> <td>122</td> <td>1/2</td> <td>2900</td> <td>1\"/&gt;  <tr> <td>U-14</td> <td>"</td> <td>"</td> <td>V-675</td> <td>122</td> <td>1/2</td> <td>2900</td> <td>1\"/&gt;  <tr> <td>U-15</td> <td>"</td> <td>"</td> <td>V-675</td> <td>122</td> <td>1/2</td> <td>2900</td> <td>1\"/&gt;  <tr> <td>U-16</td> <td>"</td> <td>"</td> <td>V-675</td> <td>122</td> <td>1/2</td> <td>2900</td> <td>1\"/&gt;  <tr> <td>U-17</td> <td>"</td> <td>"</td> <td>V-675</td> <td>122</td> <td>1/2</td> <td>2900</td> <td>1\"/&gt;  <tr> <td>U-18</td> <td>"</td> <td>"</td> <td>V-675</td> <td>122</td> <td>1/2</td> <td>2900</td> <td>1\"/&gt;  <tr> <td>U-19</td> <td>"</td> <td>"</td> <td>V-675</td> <td>122</td> <td>1/2</td> <td>2900</td> <td>1\"/&gt;  <tr> <td>U-20</td> <td>"</td> <td>"</td> <td>V-675</td> <td>122</td> <td>1/2</td> <td>2900</td> <td>1\"/&gt;  <tr> <td>U-21</td> <td>"</td> <td>"</td> <td>V-675</td> <td>122</td> <td>1/2</td> <td>2900</td> <td>1\"/&gt;  <tr> <td>U-22</td> <td>"</td> <td>"</td> <td>V-675</td> <td>122</td> <td>1/2</td> <td>2900</td> <td>1\"/&gt;  <tr> <td>U-23</td> <td>"</td> <td>"</td> <td>V-675</td> <td>122</td> <td>1/2</td> <td>2900</td> <td>1\"/&gt;  <tr> <td>U-24</td> <td>"</td> <td>"</td> <td>V-675</td> <td>122</td> <td>1/2</td> <td>2900</td> <td>1\"/&gt;  <tr> <td>U-25</td> <td>"</td> <td>"</td> <td>V-675</td> <td>122</td> <td>1/2</td> <td>2900</td> <td>1\"/&gt;  <tr> <td>U-26</td> <td>"</td> <td>"</td> <td>V-675</td> <td>122</td> <td>1/2</td> <td>2900</td> <td>1\"/&gt;  <tr> <td>U-27</td> <td>"</td> <td>"</td> <td>V-675</td> <td>122</td> <td>1/2</td> <td>2900</td> <td>1\"/&gt;  <tr> <td>U-28</td> <td>"</td> <td>"</td> <td>V-675</td> <td>122</td> <td>1/2</td> <td>2900</td> <td>1\"/&gt;  <tr> <td>U-29</td> <td>"</td> <td>"</td> <td>V-675</td> <td>122</td> <td>1/2</td> <td>2900</td> <td>1\"/&gt;  <tr> <td>U-30</td> <td>"</td> <td>"</td> <td>V-675</td> <td>122</td> <td>1/2</td> <td>2900</td> <td>1\"/&gt;  <tr> <td>U-31</td> <td>"</td> <td>"</td> <td>V-675</td> <td>122</td> <td>1/2</td> <td>2900</td> <td>1\"/&gt;  <tr> <td>U-32</td> <td>"</td> <td>"</td> <td>V-675</td> <td>122</td> <td>1/2</td> <td>2900</td> <td>1\"/&gt;  <tr> <td>U-33</td> <td>"</td> <td>"</td> <td>V-675</td> <td>122</td> <td>1/2</td> <td>2900</td> <td>1\"/&gt;  <tr> <td>U-34</td> <td>"</td> <td>"</td> <td>V-675</td> <td>122</td> <td>1/2</td> <td>2900</td> <td>1\"/&gt;  <tr> <td>U-35</td> <td>"</td> <td>"</td> <td>V-675</td> <td>122</td> <td>1/2</td> <td>2900</td> <td>1\"/&gt;  <tr> <td>U-36</td> <td>"</td> <td>"</td> <td>V-675</td> <td>122</td> <td>1/2</td> <td>2900</td> <td>1\"/&gt;  <tr> <td>U-37</td> <td>"</td> <td>"</td> <td>V-675</td> <td>122</td> <td>1/2</td> <td>2900</td> <td>1\"/&gt;  <tr> <td>U-38</td> <td>"</td> <td>"</td> <td>V-675</td> <td>122</td> <td>1/2</td> <td>2900</td> <td>1\"/&gt;  <tr> <td>U-39</td> <td>"</td> <td>"</td> <td>V-675</td> <td>122</td> <td>1/2</td> <td>2900</td> <td>1\"/&gt;  <tr> <td>U-40</td> <td>"</td> <td>"</td> <td>V-675</td> <td>122</td> <td>1/2</td> <td>2900</td> <td>1\"/&gt;  <tr> <td>U-41</td> <td>"</td> <td>"</td> <td>V-675</td> <td>122</td> <td>1/2</td> <td>2900</td> <td>1\"/&gt;  <tr> <td>U-42</td> <td>"</td> <td>"</td> <td>V-675</td> <td>122</td> <td>1/2</td> <td>2900</td> <td>1\"/&gt; 
<tr> <td>U-43</td> <td>"</td> <td>"</td> <td>V-675</td> <td>122</td> <td>1/2</td> <td>2900</td> <td>1\"/&gt;  <tr> <td>U-44</td> <td>"</td> <td>"</td> <td>V-675</td> <td>122</td> <td>1/2</td> <td>2900</td> <td>1\"/&gt;  <tr> <td>U-45</td> <td>"</td> <td>"</td> <td>V-675</td> <td>122</td> <td>1/2</td> <td>2900</td> <td>1\"/&gt;  <tr> <td>U-46</td> <td>"</td> <td>"</td> <td>V-675</td> <td>122</td> <td>1/2</td> <td>2900</td> <td>1\"/&gt;  <tr> <td>U-47</td> <td>"</td> <td>"</td> <td>V-675</td> <td>122</td> <td>1/2</td> <td>2900</td> <td>1\"/&gt;  <tr> <td>U-48</td> <td>"</td> <td>"</td> <td>V-675</td> <td>122</td> <td>1/2</td> <td>2900</td> <td>1\"/&gt;  <tr> <td>U-49</td> <td>"</td> <td>"</td> <td>V-675</td> <td>122</td> <td>1/2</td> <td>2900</td> <td>1\"/&gt;  <tr> <td>U-50</td> <td>"</td> <td>"</td> <td>V-675</td> <td>122</td> <td>1/2</td> <td>2900</td> <td>1\"/&gt;  </td></tr></td></tr></td></tr></td></tr></td></tr></td></tr></td></tr></td></tr></td></tr></td></tr></td></tr></td></tr></td></tr></td></tr></td></tr></td></tr></td></tr></td></tr></td></tr></td></tr></td></tr></td></tr></td></tr></td></tr></td></tr></td></tr></td></tr></td></tr></td></tr></td></tr></td></tr></td></tr></td></tr></td></tr></td></tr></td></tr></td></tr></td></tr>   | U-13 | " | " | V-675  | 122 | 1/2 | 2900   | 1\"/> <tr> <td>U-14</td> <td>"</td> <td>"</td> <td>V-675</td> <td>122</td> <td>1/2</td> <td>2900</td> <td>1\"/&gt;  <tr> <td>U-15</td> <td>"</td> <td>"</td> <td>V-675</td> <td>122</td> <td>1/2</td> <td>2900</td> <td>1\"/&gt;  <tr> <td>U-16</td> <td>"</td> <td>"</td> <td>V-675</td> <td>122</td> <td>1/2</td> <td>2900</td> <td>1\"/&gt;  <tr> <td>U-17</td> <td>"</td> <td>"</td> <td>V-675</td> <td>122</td> <td>1/2</td> <td>2900</td> <td>1\"/&gt;  <tr> <td>U-18</td> <td>"</td> <td>"</td> <td>V-675</td> <td>122</td> <td>1/2</td> <td>2900</td> <td>1\"/&gt;  <tr> <td>U-19</td> <td>"</td> <td>"</td> <td>V-675</td> <td>122</td> <td>1/2</td> <td>2900</td> <td>1\"/&gt;  <tr> <td>U-20</td> <td>"</td> <td>"</td> <td>V-675</td> <td>122</td> <td>1/2</td> <td>2900</td> <td>1\"/&gt;  <tr> <td>U-21</td> <td>"</td> <td>"</td> <td>V-675</td> <td>122</td> <td>1/2</td> <td>2900</td> <td>1\"/&gt;  <tr> <td>U-22</td> <td>"</td> <td>"</td> <td>V-675</td> <td>122</td> <td>1/2</td> <td>2900</td> <td>1\"/&gt;  <tr> <td>U-23</td> <td>"</td> <td>"</td> <td>V-675</td> <td>122</td> <td>1/2</td> <td>2900</td> <td>1\"/&gt;  <tr> <td>U-24</td> <td>"</td> <td>"</td> <td>V-675</td> <td>122</td> <td>1/2</td> <td>2900</td> <td>1\"/&gt;  <tr> <td>U-25</td> <td>"</td> <td>"</td> <td>V-675</td> <td>122</td> <td>1/2</td> <td>2900</td> <td>1\"/&gt;  <tr> <td>U-26</td> <td>"</td> <td>"</td> <td>V-675</td> <td>122</td> <td>1/2</td> <td>2900</td> <td>1\"/&gt;  <tr> <td>U-27</td> <td>"</td> <td>"</td> <td>V-675</td> <td>122</td> <td>1/2</td> <td>2900</td> <td>1\"/&gt;  <tr> <td>U-28</td> <td>"</td> <td>"</td> <td>V-675</td> <td>122</td> <td>1/2</td> <td>2900</td> <td>1\"/&gt;  <tr> <td>U-29</td> <td>"</td> <td>"</td> <td>V-675</td> <td>122</td> <td>1/2</td> <td>2900</td> <td>1\"/&gt;  <tr> <td>U-30</td> <td>"</td> <td>"</td> <td>V-675</td> <td>122</td> <td>1/2</td> <td>2900</td> <td>1\"/&gt;  <tr> <td>U-31</td> <td>"</td> <td>"</td> <td>V-675</td> <td>122</td> <td>1/2</td> <td>2900</td> <td>1\"/&gt;  <tr> <td>U-32</td> <td>"</td> <td>"</td> <td>V-675</td> <td>122</td> <td>1/2</td> <td>2900</td> <td>1\"/&gt;  <tr> <td>U-33</td> <td>"</td> <td>"</td> <td>V-675</td> <td>122</td> <td>1/2</td> <td>2900</td> <td>1\"/&gt;  <tr> <td>U-34</td> <td>"</td> <td>"</td> <td>V-675</td> <td>122</td> <td>1/2</td> <td>2900</td> <td>1\"/&gt;  <tr> <td>U-35</td> <td>"</td> <td>"</td> <td>V-675</td> <td>122</td> <td>1/2</td> <td>2900</td> <td>1\"/&gt;  <tr> <td>U-36</td> <td>"</td> <td>"</td> <td>V-675</td> <td>122</td> <td>1/2</td> <td>2900</td> <td>1\"/&gt;  <tr> <td>U-37</td> <td>"</td> <td>"</td> <td>V-675</td> <td>122</td> <td>1/2</td> <td>2900</td> <td>1\"/&gt;  <tr> <td>U-38</td> <td>"</td> <td>"</td> <td>V-675</td> <td>122</td> <td>1/2</td> <td>2900</td> <td>1\"/&gt;  <tr> <td>U-39</td> <td>"</td> <td>"</td> <td>V-675</td> <td>122</td> <td>1/2</td> <td>2900</td> <td>1\"/&gt;  <tr> <td>U-40</td> <td>"</td> <td>"</td> <td>V-675</td> <td>122</td> <td>1/2</td> <td>2900</td> <td>1\"/&gt;  <tr> <td>U-41</td> <td>"</td> <td>"</td> <td>V-675</td> <td>122</td> <td>1/2</td> <td>2900</td> <td>1\"/&gt;  <tr> <td>U-42</td> <td>"</td> <td>"</td> <td>V-675</td> <td>122</td> <td>1/2</td> <td>2900</td> <td>1\"/&gt;  <tr> <td>U-43</td> <td>"</td> <td>"</td> <td>V-675</td> <td>122</td> <td>1/2</td> <td>2900</td> <td>1\"/&gt;  <tr> <td>U-44</td> <td>"</td> <td>"</td> <td>V-675</td> <td>122</td> <td>1/2</td> <td>2900</td> <td>1\"/&gt;  <tr> <td>U-45</td> <td>"</td> <td>"</td> <td>V-675</td> <td>122</td> <td>1/2</td> <td>2900</td> <td>1\"/&gt;  <tr> <td>U-46</td> <td>"</td> <td>"</td> <td>V-675</td> <td>122</td> <td>1/2</td> <td>2900</td> <td>1\"/&gt;  <tr> <td>U-47</td> <td>"</td> <td>"</td> <td>V-675</td> <td>122</td> <td>1/2</td> <td>2900</td> <td>1\"/&gt;  <tr> <td>U-48</td> <td>"</td> <td>"</td> <td>V-675</td> <td>122</td> <td>1/2</td> <td>2900</td> <td>1\"/&gt;  <tr> <td>U-49</td> <td>"</td> <td>"</td> <td>V-675</td> <td>122</td> <td>1/2</td> <td>2900</td> <td>1\"/&gt;  <tr> <td>U-50</td> <td>"</td> <td>"</td> <td>V-675</td> <td>122</td> <td>1/2</td> <td>2900</td> <td>1\"/&gt;  </td></tr></td></tr></td></tr></td></tr></td></tr></td></tr></td></tr></td></tr></td></tr></td></tr></td></tr></td></tr></td></tr></td></tr></td></tr></td></tr></td></tr></td></tr></td></tr></td></tr></td></tr></td></tr></td></tr></td></tr></td></tr></td></tr></td></tr></td></tr></td></tr></td></tr></td></tr></td></tr></td></tr></td></tr></td></tr></td></tr></td></tr>   | U-14 | " | " | V-675 | 122 | 1/2 | 2900    | 1\"/> <tr> <td>U-15</td> <td>"</td> <td>"</td> <td>V-675</td> <td>122</td> <td>1/2</td> <td>2900</td> <td>1\"/&gt;  <tr> <td>U-16</td> <td>"</td> <td>"</td> <td>V-675</td> <td>122</td> <td>1/2</td> <td>2900</td> <td>1\"/&gt;  <tr> <td>U-17</td> <td>"</td> <td>"</td> <td>V-675</td> <td>122</td> <td>1/2</td> <td>2900</td> <td>1\"/&gt;  <tr> <td>U-18</td> <td>"</td> <td>"</td> <td>V-675</td> <td>122</td> <td>1/2</td> <td>2900</td> <td>1\"/&gt;  <tr> <td>U-19</td> <td>"</td> <td>"</td> <td>V-675</td> <td>122</td> <td>1/2</td> <td>2900</td> <td>1\"/&gt;  <tr> <td>U-20</td> <td>"</td> <td>"</td> <td>V-675</td> <td>122</td> <td>1/2</td> <td>2900</td> <td>1\"/&gt;  <tr> <td>U-21</td> <td>"</td> <td>"</td> <td>V-675</td> <td>122</td> <td>1/2</td> <td>2900</td> <td>1\"/&gt;  <tr> <td>U-22</td> <td>"</td> <td>"</td> <td>V-675</td> <td>122</td> <td>1/2</td> <td>2900</td> <td>1\"/&gt;  <tr> <td>U-23</td> <td>"</td> <td>"</td> <td>V-675</td> <td>122</td> <td>1/2</td> <td>2900</td> <td>1\"/&gt;  <tr> <td>U-24</td> <td>"</td> <td>"</td> <td>V-675</td> <td>122</td> <td>1/2</td> <td>2900</td> <td>1\"/&gt;  <tr> <td>U-25</td> <td>"</td> <td>"</td> <td>V-675</td> <td>122</td> <td>1/2</td> <td>2900</td> <td>1\"/&gt;  <tr> <td>U-26</td> <td>"</td> <td>"</td> <td>V-675</td> <td>122</td> <td>1/2</td> <td>2900</td> <td>1\"/&gt;  <tr> <td>U-27</td> <td>"</td> <td>"</td> <td>V-675</td> <td>122</td> <td>1/2</td> <td>2900</td> <td>1\"/&gt;  <tr> <td>U-28</td> <td>"</td> <td>"</td> <td>V-675</td> <td>122</td> <td>1/2</td> <td>2900</td> <td>1\"/&gt;  <tr> <td>U-29</td> <td>"</td> <td>"</td> <td>V-675</td> <td>122</td> <td>1/2</td> <td>2900</td> <td>1\"/&gt;  <tr> <td>U-30</td> <td>"</td> <td>"</td> <td>V-675</td> <td>122</td> <td>1/2</td> <td>2900</td> <td>1\"/&gt;  <tr> <td>U-31</td> <td>"</td> <td>"</td>
<td>V-675</td> <td>122</td> <td>1/2</td> <td>2900</td> <td>1\"/&gt;  <tr> <td>U-32</td> <td>"</td> <td>"</td> <td>V-675</td> <td>122</td> <td>1/2</td> <td>2900</td> <td>1\"/&gt;  <tr> <td>U-33</td> <td>"</td> <td>"</td> <td>V-675</td> <td>122</td> <td>1/2</td> <td>2900</td> <td>1\"/&gt;  <tr> <td>U-34</td> <td>"</td> <td>"</td> <td>V-675</td> <td>122</td> <td>1/2</td> <td>2900</td> <td>1\"/&gt;  <tr> <td>U-35</td> <td>"</td> <td>"</td> <td>V-675</td> <td>122</td> <td>1/2</td> <td>2900</td> <td>1\"/&gt;  <tr> <td>U-36</td> <td>"</td> <td>"</td> <td>V-675</td> <td>122</td> <td>1/2</td> <td>2900</td> <td>1\"/&gt;  <tr> <td>U-37</td> <td>"</td> <td>"</td> <td>V-675</td> <td>122</td> <td>1/2</td> <td>2900</td> <td>1\"/&gt;  <tr> <td>U-38</td> <td>"</td> <td>"</td> <td>V-675</td> <td>122</td> <td>1/2</td> <td>2900</td> <td>1\"/&gt;  <tr> <td>U-39</td> <td>"</td> <td>"</td> <td>V-675</td> <td>122</td> <td>1/2</td> <td>2900</td> <td>1\"/&gt;  <tr> <td>U-40</td> <td>"</td> <td>"</td> <td>V-675</td> <td>122</td> <td>1/2</td> <td>2900</td> <td>1\"/&gt;  <tr> <td>U-41</td> <td>"</td> <td>"</td> <td>V-675</td> <td>122</td> <td>1/2</td> <td>2900</td> <td>1\"/&gt;  <tr> <td>U-42</td> <td>"</td> <td>"</td> <td>V-675</td> <td>122</td> <td>1/2</td> <td>2900</td> <td>1\"/&gt;  <tr> <td>U-43</td> <td>"</td> <td>"</td> <td>V-675</td> <td>122</td> <td>1/2</td> <td>2900</td> <td>1\"/&gt;  <tr> <td>U-44</td> <td>"</td> <td>"</td> <td>V-675</td> <td>122</td> <td>1/2</td> <td>2900</td> <td>1\"/&gt;  <tr> <td>U-45</td> <td>"</td> <td>"</td> <td>V-675</td> <td>122</td> <td>1/2</td> <td>2900</td> <td>1\"/&gt;  <tr> <td>U-46</td> <td>"</td> <td>"</td> <td>V-675</td> <td>122</td> <td>1/2</td> <td>2900</td> <td>1\"/&gt;  <tr> <td>U-47</td> <td>"</td> <td>"</td> <td>V-675</td> <td>122</td> <td>1/2</td> <td>2900</td> <td>1\"/&gt;  <tr> <td>U-48</td> <td>"</td> <td>"</td> <td>V-675</td> <td>122</td> <td>1/2</td> <td>2900</td> <td>1\"/&gt;  <tr> <td>U-49</td> <td>"</td> <td>"</td> <td>V-675</td> <td>122</td> <td>1/2</td> <td>2900</td> <td>1\"/&gt;  <tr> <td>U-50</td> <td>"</td> <td>"</td> <td>V-675</td> <td>122</td> <td>1/2</td> <td>2900</td> <td>1\"/&gt;  </td></tr></td></tr></td></tr></td></tr></td></tr></td></tr></td></tr></td></tr></td></tr></td></tr></td></tr></td></tr></td></tr></td></tr></td></tr></td></tr></td></tr></td></tr></td></tr></td></tr></td></tr></td></tr></td></tr></td></tr></td></tr></td></tr></td></tr></td></tr></td></tr></td></tr></td></tr></td></tr></td></tr></td></tr></td></tr></td></tr>  | U-15 | " | " | V-675 | 122 | 1/2 | 2900   | 1\"/> <tr> <td>U-16</td> <td>"</td> <td>"</td> <td>V-675</td> <td>122</td> <td>1/2</td> <td>2900</td> <td>1\"/&gt;  <tr> <td>U-17</td> <td>"</td> <td>"</td> <td>V-675</td> <td>122</td> <td>1/2</td> <td>2900</td> <td>1\"/&gt;  <tr> <td>U-18</td> <td>"</td> <td>"</td> <td>V-675</td> <td>122</td> <td>1/2</td> <td>2900</td> <td>1\"/&gt;  <tr> <td>U-19</td> <td>"</td> <td>"</td> <td>V-675</td> <td>122</td> <td>1/2</td> <td>2900</td> <td>1\"/&gt;  <tr> <td>U-20</td> <td>"</td> <td>"</td> <td>V-675</td> <td>122</td> <td>1/2</td> <td>2900</td> <td>1\"/&gt;  <tr> <td>U-21</td> <td>"</td> <td>"</td> <td>V-675</td> <td>122</td> <td>1/2</td> <td>2900</td> <td>1\"/&gt;  <tr> <td>U-22</td> <td>"</td> <td>"</td> <td>V-675</td> <td>122</td> <td>1/2</td> <td>2900</td> <td>1\"/&gt;  <tr> <td>U-23</td> <td>"</td> <td>"</td> <td>V-675</td> <td>122</td> <td>1/2</td> <td>2900</td> <td>1\"/&gt;  <tr> <td>U-24</td> <td>"</td> <td>"</td> <td>V-675</td> <td>122</td> <td>1/2</td> <td>2900</td> <td>1\"/&gt;  <tr> <td>U-25</td> <td>"</td> <td>"</td> <td>V-675</td> <td>122</td> <td>1/2</td> <td>2900</td> <td>1\"/&gt;  <tr> <td>U-26</td> <td>"</td> <td>"</td> <td>V-675</td> <td>122</td> <td>1/2</td> <td>2900</td> <td>1\"/&gt;  <tr> <td>U-27</td> <td>"</td> <td>"</td> <td>V-675</td> <td>122</td> <td>1/2</td> <td>2900</td> <td>1\"/&gt;  <tr> <td>U-28</td> <td>"</td> <td>"</td> <td>V-675</td> <td>122</td> <td>1/2</td> <td>2900</td> <td>1\"/&gt;  <tr> <td>U-29</td> <td>"</td> <td>"</td> <td>V-675</td> <td>122</td> <td>1/2</td> <td>2900</td> <td>1\"/&gt;  <tr> <td>U-30</td> <td>"</td> <td>"</td> <td>V-675</td> <td>122</td> <td>1/2</td> <td>2900</td> <td>1\"/&gt;  <tr> <td>U-31</td> <td>"</td> <td>"</td> <td>V-675</td> <td>122</td> <td>1/2</td> <td>2900</td> <td>1\"/&gt;  <tr> <td>U-32</td> <td>"</td> <td>"</td> <td>V-675</td> <td>122</td> <td>1/2</td> <td>2900</td> <td>1\"/&gt;  <tr> <td>U-33</td> <td>"</td> <td>"</td> <td>V-675</td> <td>122</td> <td>1/2</td> <td>2900</td> <td>1\"/&gt;  <tr> <td>U-34</td> <td>"</td> <td>"</td> <td>V-675</td> <td>122</td> <td>1/2</td> <td>2900</td> <td>1\"/&gt;  <tr> <td>U-35</td> <td>"</td> <td>"</td> <td>V-675</td> <td>122</td> <td>1/2</td> <td>2900</td> <td>1\"/&gt;  <tr> <td>U-36</td> <td>"</td> <td>"</td> <td>V-675</td> <td>122</td> <td>1/2</td> <td>2900</td> <td>1\"/&gt;  <tr> <td>U-37</td> <td>"</td> <td>"</td> <td>V-675</td> <td>122</td> <td>1/2</td> <td>2900</td> <td>1\"/&gt;  <tr> <td>U-38</td> <td>"</td> <td>"</td> <td>V-675</td> <td>122</td> <td>1/2</td> <td>2900</td> <td>1\"/&gt;  <tr> <td>U-39</td> <td>"</td> <td>"</td> <td>V-675</td> <td>122</td> <td>1/2</td> <td>2900</td> <td>1\"/&gt;  <tr> <td>U-40</td> <td>"</td> <td>"</td> <td>V-675</td> <td>122</td> <td>1/2</td> <td>2900</td> <td>1\"/&gt;  <tr> <td>U-41</td> <td>"</td> <td>"</td> <td>V-675</td> <td>122</td> <td>1/2</td> <td>2900</td> <td>1\"/&gt;  <tr> <td>U-42</td> <td>"</td> <td>"</td> <td>V-675</td> <td>122</td> <td>1/2</td> <td>2900</td> <td>1\"/&gt;  <tr> <td>U-43</td> <td>"</td> <td>"</td> <td>V-675</td> <td>122</td> <td>1/2</td> <td>2900</td> <td>1\"/&gt;  <tr> <td>U-44</td> <td>"</td> <td>"</td> <td>V-675</td> <td>122</td> <td>1/2</td> <td>2900</td> <td>1\"/&gt;  <tr> <td>U-45</td> <td>"</td> <td>"</td> <td>V-675</td> <td>122</td> <td>1/2</td> <td>2900</td> <td>1\"/&gt;  <tr> <td>U-46</td> <td>"</td> <td>"</td> <td>V-675</td> <td>122</td> <td>1/2</td> <td>2900</td> <td>1\"/&gt;  <tr> <td>U-47</td> <td>"</td> <td>"</td> <td>V-675</td> <td>122</td> <td>1/2</td> <td>2900</td> <td>1\"/&gt;  <tr> <td>U-48</td> <td>"</td> <td>"</td> <td>V-675</td> <td>122</td> <td>1/2</td> <td>2900</td> <td>1\"/&gt;  <tr> <td>U-49</td> <td>"</td> <td>"</td> <td>V-675</td> <td>122</td> <td>1/2</td> <td>2900</td> <td>1\"/&gt;  <tr> <td>U-50</td> <td>"</td> <td>"</td> <td>V-675</td> <td>122</td> <td>1/2</td> <td>2900</td> <td>1\"/&gt;  </td></tr></td></tr></td></tr></td></tr></td></tr></td></tr></td></tr></td></tr></td></tr></td></tr></td></tr></td></tr></td></tr></td></tr></td></tr></td></tr></td></tr></td></tr></td></tr></td></tr></td></tr></td></tr></td></tr></td></tr></td></tr></td></tr></td></tr></td></tr></td></tr></td></tr></td></tr></td></tr></td></tr></td></tr></td></tr>   | U-16 | " | " | V-675 | 122 | 1/2 | 2900    | 1\"/> <tr> <td>U-17</td> <td>"</td> <td>"</td> <td>V-675</td> <td>122</td> <td>1/2</td> <td>2900</td> <td>1\"/&gt;  <tr> <td>U-18</td> <td>"</td> <td>"</td> <td>V-675</td> <td>122</td> <td>1/2</td> <td>2900</td> <td>1\"/&gt;  <tr> <td>U-19</td> <td>"</td> <td>"</td> <td>V-675</td> <td>122</td> <td>1/2</td> <td>2900</td> <td>1\"/&gt;  <tr> <td>U-20</td> <td>"</td> <td>"</td> <td>V-675</td> <td>122</td> <td>1/2</td> <td>2900</td> <td>1\"/&gt;  <tr> <td>U-21</td> <td>"</td> <td>"</td> <td>V-675</td> <td>122</td> <td>1/2</td> <td>2900</td> <td>1\"/&gt;  <tr> <td>U-22</td> <td>"</td> <td>"</td> <td>V-675</td> <td>122</td> <td>1/2</td> <td>2900</td> <td>1\"/&gt;  <tr> <td>U-23</td> <td>"</td> <td>"</td> <td>V-675</td> <td>122</td> <td>1/2</td> <td>2900</td> <td>1\"/&gt;  <tr>
<td>U-24</td> <td>"</td> <td>"</td> <td>V-675</td> <td>122</td> <td>1/2</td> <td>2900</td> <td>1\"/&gt;  <tr> <td>U-25</td> <td>"</td> <td>"</td> <td>V-675</td> <td>122</td> <td>1/2</td> <td>2900</td> <td>1\"/&gt;  <tr> <td>U-26</td> <td>"</td> <td>"</td> <td>V-675</td> <td>122</td> <td>1/2</td> <td>2900</td> <td>1\"/&gt;  <tr> <td>U-27</td> <td>"</td> <td>"</td> <td>V-675</td> <td>122</td> <td>1/2</td> <td>2900</td> <td>1\"/&gt;  <tr> <td>U-28</td> <td>"</td> <td>"</td> <td>V-675</td> <td>122</td> <td>1/2</td> <td>2900</td> <td>1\"/&gt;  <tr> <td>U-29</td> <td>"</td> <td>"</td> <td>V-675</td> <td>122</td> <td>1/2</td> <td>2900</td> <td>1\"/&gt;  <tr> <td>U-30</td> <td>"</td> <td>"</td> <td>V-675</td> <td>122</td> <td>1/2</td> <td>2900</td> <td>1\"/&gt;  <tr> <td>U-31</td> <td>"</td> <td>"</td> <td>V-675</td> <td>122</td> <td>1/2</td> <td>2900</td> <td>1\"/&gt;  <tr> <td>U-32</td> <td>"</td> <td>"</td> <td>V-675</td> <td>122</td> <td>1/2</td> <td>2900</td> <td>1\"/&gt;  <tr> <td>U-33</td> <td>"</td> <td>"</td> <td>V-675</td> <td>122</td> <td>1/2</td> <td>2900</td> <td>1\"/&gt;  <tr> <td>U-34</td> <td>"</td> <td>"</td> <td>V-675</td> <td>122</td> <td>1/2</td> <td>2900</td> <td>1\"/&gt;  <tr> <td>U-35</td> <td>"</td> <td>"</td> <td>V-675</td> <td>122</td> <td>1/2</td> <td>2900</td> <td>1\"/&gt;  <tr> <td>U-36</td> <td>"</td> <td>"</td> <td>V-675</td> <td>122</td> <td>1/2</td> <td>2900</td> <td>1\"/&gt;  <tr> <td>U-37</td> <td>"</td> <td>"</td> <td>V-675</td> <td>122</td> <td>1/2</td> <td>2900</td> <td>1\"/&gt;  <tr> <td>U-38</td> <td>"</td> <td>"</td> <td>V-675</td> <td>122</td> <td>1/2</td> <td>2900</td> <td>1\"/&gt;  <tr> <td>U-39</td> <td>"</td> <td>"</td> <td>V-675</td> <td>122</td> <td>1/2</td> <td>2900</td> <td>1\"/&gt;  <tr> <td>U-40</td> <td>"</td> <td>"</td> <td>V-675</td> <td>122</td> <td>1/2</td> <td>2900</td> <td>1\"/&gt;  <tr> <td>U-41</td> <td>"</td> <td>"</td> <td>V-675</td> <td>122</td> <td>1/2</td> <td>2900</td> <td>1\"/&gt;  <tr> <td>U-42</td> <td>"</td> <td>"</td> <td>V-675</td> <td>122</td> <td>1/2</td> <td>2900</td> <td>1\"/&gt;  <tr> <td>U-43</td> <td>"</td> <td>"</td> <td>V-675</td> <td>122</td> <td>1/2</td> <td>2900</td> <td>1\"/&gt;  <tr> <td>U-44</td> <td>"</td> <td>"</td> <td>V-675</td> <td>122</td> <td>1/2</td> <td>2900</td> <td>1\"/&gt;  <tr> <td>U-45</td> <td>"</td> <td>"</td> <td>V-675</td> <td>122</td> <td>1/2</td> <td>2900</td> <td>1\"/&gt;  <tr> <td>U-46</td> <td>"</td> <td>"</td> <td>V-675</td> <td>122</td> <td>1/2</td> <td>2900</td> <td>1\"/&gt;  <tr> <td>U-47</td> <td>"</td> <td>"</td> <td>V-675</td> <td>122</td> <td>1/2</td> <td>2900</td> <td>1\"/&gt;  <tr> <td>U-48</td> <td>"</td> <td>"</td> <td>V-675</td> <td>122</td> <td>1/2</td> <td>2900</td> <td>1\"/&gt;  <tr> <td>U-49</td> <td>"</td> <td>"</td> <td>V-675</td> <td>122</td> <td>1/2</td> <td>2900</td> <td>1\"/&gt;  <tr> <td>U-50</td> <td>"</td> <td>"</td> <td>V-675</td> <td>122</td> <td>1/2</td> <td>2900</td> <td>1\"/&gt;  </td></tr></td></tr></td></tr></td></tr></td></tr></td></tr></td></tr></td></tr></td></tr></td></tr></td></tr></td></tr></td></tr></td></tr></td></tr></td></tr></td></tr></td></tr></td></tr></td></tr></td></tr></td></tr></td></tr></td></tr></td></tr></td></tr></td></tr></td></tr></td></tr></td></tr></td></tr></td></tr></td></tr></td></tr>  | U-17 | "           | "      | V-675  | 122  | 1/2 | 2900 | 1\"/> <tr> <td>U-18</td> <td>"</td> <td>"</td> <td>V-675</td> <td>122</td> <td>1/2</td> <td>2900</td> <td>1\"/&gt;  <tr> <td>U-19</td> <td>"</td> <td>"</td> <td>V-675</td> <td>122</td> <td>1/2</td> <td>2900</td> <td>1\"/&gt;  <tr> <td>U-20</td> <td>"</td> <td>"</td> <td>V-675</td> <td>122</td> <td>1/2</td> <td>2900</td> <td>1\"/&gt;  <tr> <td>U-21</td> <td>"</td> <td>"</td> <td>V-675</td> <td>122</td> <td>1/2</td> <td>2900</td> <td>1\"/&gt;  <tr> <td>U-22</td> <td>"</td> <td>"</td> <td>V-675</td> <td>122</td> <td>1/2</td> <td>2900</td> <td>1\"/&gt;  <tr> <td>U-23</td> <td>"</td> <td>"</td> <td>V-675</td> <td>122</td> <td>1/2</td> <td>2900</td> <td>1\"/&gt;  <tr> <td>U-24</td> <td>"</td> <td>"</td> <td>V-675</td> <td>122</td> <td>1/2</td> <td>2900</td> <td>1\"/&gt;  <tr> <td>U-25</td> <td>"</td> <td>"</td> <td>V-675</td> <td>122</td> <td>1/2</td> <td>2900</td> <td>1\"/&gt;  <tr> <td>U-26</td> <td>"</td> <td>"</td> <td>V-675</td> <td>122</td> <td>1/2</td> <td>2900</td> <td>1\"/&gt;  <tr> <td>U-27</td> <td>"</td> <td>"</td> <td>V-675</td> <td>122</td> <td>1/2</td> <td>2900</td> <td>1\"/&gt;  <tr> <td>U-28</td> <td>"</td> <td>"</td> <td>V-675</td> <td>122</td> <td>1/2</td> <td>2900</td> <td>1\"/&gt;  <tr> <td>U-29</td> <td>"</td> <td>"</td> <td>V-675</td> <td>122</td> <td>1/2</td> <td>2900</td> <td>1\"/&gt;  <tr> <td>U-30</td> <td>"</td> <td>"</td> <td>V-675</td> <td>122</td> <td>1/2</td> <td>2900</td> <td>1\"/&gt;  <tr> <td>U-31</td> <td>"</td> <td>"</td> <td>V-675</td> <td>122</td> <td>1/2</td> <td>2900</td> <td>1\"/&gt;  <tr> <td>U-32</td> <td>"</td> <td>"</td> <td>V-675</td> <td>122</td> <td>1/2</td> <td>2900</td> <td>1\"/&gt;  <tr> <td>U-33</td> <td>"</td> <td>"</td> <td>V-675</td> <td>122</td> <td>1/2</td> <td>2900</td> <td>1\"/&gt;  <tr> <td>U-34</td> <td>"</td> <td>"</td> <td>V-675</td> <td>122</td> <td>1/2</td> <td>2900</td> <td>1\"/&gt;  <tr> <td>U-35</td> <td>"</td> <td>"</td> <td>V-675</td> <td>122</td> <td>1/2</td> <td>2900</td> <td>1\"/&gt;  <tr> <td>U-36</td> <td>"</td> <td>"</td> <td>V-675</td> <td>122</td> <td>1/2</td> <td>2900</td> <td>1\"/&gt;  <tr> <td>U-37</td> <td>"</td> <td>"</td> <td>V-675</td> <td>122</td> <td>1/2</td> <td>2900</td> <td>1\"/&gt;  <tr> <td>U-38</td> <td>"</td> <td>"</td> <td>V-675</td> <td>122</td> <td>1/2</td> <td>2900</td> <td>1\"/&gt;  <tr> <td>U-39</td> <td>"</td> <td>"</td> <td>V-675</td> <td>122</td> <td>1/2</td> <td>2900</td> <td>1\"/&gt;  <tr> <td>U-40</td> <td>"</td> <td>"</td> <td>V-675</td> <td>122</td> <td>1/2</td> <td>2900</td> <td>1\"/&gt;  <tr> <td>U-41</td> <td>"</td> <td>"</td> <td>V-675</td> <td>122</td> <td>1/2</td> <td>2900</td> <td>1\"/&gt;  <tr> <td>U-42</td> <td>"</td> <td>"</td> <td>V-675</td> <td>122</td> <td>1/2</td> <td>2900</td> <td>1\"/&gt;  <tr> <td>U-43</td> <td>"</td> <td>"</td> <td>V-675</td> <td>122</td> <td>1/2</td> <td>2900</td> <td>1\"/&gt;  <tr> <td>U-44</td> <td>"</td> <td>"</td> <td>V-675</td> <td>122</td> <td>1/2</td> <td>2900</td> <td>1\"/&gt;  <tr> <td>U-45</td> <td>"</td> <td>"</td> <td>V-675</td> <td>122</td> <td>1/2</td> <td>2900</td> <td>1\"/&gt;  <tr> <td>U-46</td> <td>"</td> <td>"</td> <td>V-675</td> <td>122</td> <td>1/2</td> <td>2900</td> <td>1\"/&gt;  <tr> <td>U-47</td> <td>"</td> <td>"</td> <td>V-675</td> <td>122</td> <td>1/2</td> <td>2900</td> <td>1\"/&gt;  <tr> <td>U-48</td> <td>"</td> <td>"</td> <td>V-675</td> <td>122</td> <td>1/2</td> <td>2900</td> <td>1\"/&gt;  <tr> <td>U-49</td> <td>"</td> <td>"</td> <td>V-675</td> <td>122</td> <td>1/2</td> <td>2900</td> <td>1\"/&gt;  <tr> <td>U-50</td> <td>"</td> <td>"</td> <td>V-675</td> <td>122</td> <td>1/2</td> <td>2900</td> <td>1\"/&gt;  </td></tr></td></tr></td></tr></td></tr></td></tr></td></tr></td></tr></td></tr></td></tr></td></tr></td></tr></td></tr></td></tr></td></tr></td></tr></td></tr></td></tr></td></tr></td></tr></td></tr></td></tr></td></tr></td></tr></td></tr></td></tr></td></tr></td></tr></td></tr></td></tr></td></tr></td></tr></td></tr></td></tr>   
  | U-18 | " | " | V-675  | 122  | 1/2 | 2900 | 1\"/> <tr> <td>U-19</td> <td>"</td> <td>"</td> <td>V-675</td> <td>122</td> <td>1/2</td> <td>2900</td> <td>1\"/&gt;  <tr> <td>U-20</td> <td>"</td> <td>"</td> <td>V-675</td> <td>122</td> <td>1/2</td> <td>2900</td> <td>1\"/&gt;  <tr> <td>U-21</td> <td>"</td> <td>"</td> <td>V-675</td> <td>122</td> <td>1/2</td> <td>2900</td> <td>1\"/&gt;  <tr> <td>U-22</td> <td>"</td> <td>"</td> <td>V-675</td> <td>122</td> <td>1/2</td> <td>2900</td> <td>1\"/&gt;  <tr> <td>U-23</td> <td>"</td> <td>"</td> <td>V-675</td> <td>122</td> <td>1/2</td> <td>2900</td> <td>1\"/&gt;  <tr> <td>U-24</td> <td>"</td> <td>"</td> <td>V-675</td> <td>122</td> <td>1/2</td> <td>2900</td> <td>1\"/&gt;  <tr> <td>U-25</td> <td>"</td> <td>"</td> <td>V-675</td> <td>122</td> <td>1/2</td> <td>2900</td> <td>1\"/&gt;  <tr> <td>U-26</td> <td>"</td> <td>"</td> <td>V-675</td> <td>122</td> <td>1/2</td> <td>2900</td> <td>1\"/&gt;  <tr> <td>U-27</td> <td>"</td> <td>"</td> <td>V-675</td> <td>122</td> <td>1/2</td> <td>2900</td> <td>1\"/&gt;  <tr> <td>U-28</td> <td>"</td> <td>"</td> <td>V-675</td> <td>122</td> <td>1/2</td> <td>2900</td> <td>1\"/&gt;  <tr> <td>U-29</td> <td>"</td> <td>"</td> <td>V-675</td> <td>122</td> <td>1/2</td> <td>2900</td> <td>1\"/&gt;  <tr> <td>U-30</td> <td>"</td> <td>"</td> <td>V-675</td> <td>122</td> <td>1/2</td> <td>2900</td> <td>1\"/&gt;  <tr> <td>U-31</td> <td>"</td> <td>"</td> <td>V-675</td> <td>122</td> <td>1/2</td> <td>2900</td> <td>1\"/&gt;  <tr> <td>U-32</td> <td>"</td> <td>"</td> <td>V-675</td> <td>122</td> <td>1/2</td> <td>2900</td> <td>1\"/&gt;  <tr> <td>U-33</td> <td>"</td> <td>"</td> <td>V-675</td> <td>122</td> <td>1/2</td> <td>2900</td> <td>1\"/&gt;  <tr> <td>U-34</td> <td>"</td> <td>"</td> <td>V-675</td> <td>122</td> <td>1/2</td> <td>2900</td> <td>1\"/&gt;  <tr> <td>U-35</td> <td>"</td> <td>"</td> <td>V-675</td> <td>122</td> <td>1/2</td> <td>2900</td> <td>1\"/&gt;  <tr> <td>U-36</td> <td>"</td> <td>"</td> <td>V-675</td> <td>122</td> <td>1/2</td> <td>2900</td> <td>1\"/&gt;  <tr> <td>U-37</td> <td>"</td> <td>"</td> <td>V-675</td> <td>122</td> <td>1/2</td> <td>2900</td> <td>1\"/&gt;  <tr> <td>U-38</td> <td>"</td> <td>"</td> <td>V-675</td> <td>122</td> <td>1/2</td> <td>2900</td> <td>1\"/&gt;  <tr> <td>U-39</td> <td>"</td> <td>"</td> <td>V-675</td> <td>122</td> <td>1/2</td> <td>2900</td> <td>1\"/&gt;  <tr> <td>U-40</td> <td>"</td> <td>"</td> <td>V-675</td> <td>122</td> <td>1/2</td> <td>2900</td> <td>1\"/&gt;  <tr> <td>U-41</td> <td>"</td> <td>"</td> <td>V-675</td> <td>122</td> <td>1/2</td> <td>2900</td> <td>1\"/&gt;  <tr> <td>U-42</td> <td>"</td> <td>"</td> <td>V-675</td> <td>122</td> <td>1/2</td> <td>2900</td> <td>1\"/&gt;  <tr> <td>U-43</td> <td>"</td> <td>"</td> <td>V-675</td> <td>122</td> <td>1/2</td> <td>2900</td> <td>1\"/&gt;  <tr> <td>U-44</td> <td>"</td> <td>"</td> <td>V-675</td> <td>122</td> <td>1/2</td> <td>2900</td> <td>1\"/&gt;  <tr> <td>U-45</td> <td>"</td> <td>"</td> <td>V-675</td> <td>122</td> <td>1/2</td> <td>2900</td> <td>1\"/&gt;  <tr> <td>U-46</td> <td>"</td> <td>"</td> <td>V-675</td> <td>122</td> <td>1/2</td> <td>2900</td> <td>1\"/&gt;  <tr> <td>U-47</td> <td>"</td> <td>"</td> <td>V-675</td> <td>122</td> <td>1/2</td> <td>2900</td> <td>1\"/&gt;  <tr> <td>U-48</td> <td>"</td> <td>"</td> <td>V-675</td> <td>122</td> <td>1/2</td> <td>2900</td> <td>1\"/&gt;  <tr> <td>U-49</td> <td>"</td> <td>"</td> <td>V-675</td> <td>122</td> <td>1/2</td> <td>2900</td> <td>1\"/&gt;  <tr> <td>U-50</td> <td>"</td> <td>"</td> <td>V-675</td> <td>122</td> <td>1/2</td> <td>2900</td> <td>1\"/&gt;  </td></tr></td></tr></td></tr></td></tr></td></tr></td></tr></td></tr></td></tr></td></tr></td></tr></td></tr></td></tr></td></tr></td></tr></td></tr></td></tr></td></tr></td></tr></td></tr></td></tr></td></tr></td></tr></td></tr></td></tr></td></tr></td></tr></td></tr></td></tr></td></tr></td></tr></td></tr></td></tr>   | U-19 | " | " | V-675  | 122 | 1/2 | 2900 | 1\"/> <tr> <td>U-20</td> <td>"</td> <td>"</td> <td>V-675</td> <td>122</td> <td>1/2</td> <td>2900</td> <td>1\"/&gt;  <tr> <td>U-21</td> <td>"</td> <td>"</td> <td>V-675</td> <td>122</td> <td>1/2</td> <td>2900</td> <td>1\"/&gt;  <tr> <td>U-22</td> <td>"</td> <td>"</td> <td>V-675</td> <td>122</td> <td>1/2</td> <td>2900</td> <td>1\"/&gt;  <tr> <td>U-23</td> <td>"</td> <td>"</td> <td>V-675</td> <td>122</td> <td>1/2</td> <td>2900</td> <td>1\"/&gt;  <tr> <td>U-24</td> <td>"</td> <td>"</td> <td>V-675</td> <td>122</td> <td>1/2</td> <td>2900</td> <td>1\"/&gt;  <tr> <td>U-25</td> <td>"</td> <td>"</td> <td>V-675</td> <td>122</td> <td>1/2</td> <td>2900</td> <td>1\"/&gt;  <tr> <td>U-26</td> <td>"</td> <td>"</td> <td>V-675</td> <td>122</td> <td>1/2</td> <td>2900</td> <td>1\"/&gt;  <tr> <td>U-27</td> <td>"</td> <td>"</td> <td>V-675</td> <td>122</td> <td>1/2</td> <td>2900</td> <td>1\"/&gt;  <tr> <td>U-28</td> <td>"</td> <td>"</td> <td>V-675</td> <td>122</td> <td>1/2</td> <td>2900</td> <td>1\"/&gt;  <tr> <td>U-29</td> <td>"</td> <td>"</td> <td>V-675</td> <td>122</td> <td>1/2</td> <td>2900</td> <td>1\"/&gt;  <tr> <td>U-30</td> <td>"</td> <td>"</td> <td>V-675</td> <td>122</td> <td>1/2</td> <td>2900</td> <td>1\"/&gt;  <tr> <td>U-31</td> <td>"</td> <td>"</td> <td>V-675</td> <td>122</td> <td>1/2</td> <td>2900</td> <td>1\"/&gt;  <tr> <td>U-32</td> <td>"</td> <td>"</td> <td>V-675</td> <td>122</td> <td>1/2</td> <td>2900</td> <td>1\"/&gt;  <tr> <td>U-33</td> <td>"</td> <td>"</td> <td>V-675</td> <td>122</td> <td>1/2</td> <td>2900</td> <td>1\"/&gt;  <tr> <td>U-34</td> <td>"</td> <td>"</td> <td>V-675</td> <td>122</td> <td>1/2</td> <td>2900</td> <td>1\"/&gt;  <tr> <td>U-35</td> <td>"</td> <td>"</td> <td>V-675</td> <td>122</td> <td>1/2</td> <td>2900</td> <td>1\"/&gt;  <tr> <td>U-36</td> <td>"</td> <td>"</td> <td>V-675</td> <td>122</td> <td>1/2</td> <td>2900</td> <td>1\"/&gt;  <tr> <td>U-37</td> <td>"</td> <td>"</td> <td>V-675</td> <td>122</td> <td>1/2</td> <td>2900</td> <td>1\"/&gt;  <tr> <td>U-38</td> <td>"</td> <td>"</td> <td>V-675</td> <td>122</td> <td>1/2</td> <td>2900</td> <td>1\"/&gt;  <tr> <td>U-39</td> <td>"</td> <td>"</td> <td>V-675</td> <td>122</td> <td>1/2</td> <td>2900</td> <td>1\"/&gt;  <tr> <td>U-40</td> <td>"</td> <td>"</td> <td>V-675</td> <td>122</td> <td>1/2</td> <td>2900</td> <td>1\"/&gt;  <tr> <td>U-41</td> <td>"</td> <td>"</td> <td>V-675</td> <td>122</td> <td>1/2</td> <td>2900</td> <td>1\"/&gt;  <tr> <td>U-42</td> <td>"</td> <td>"</td> <td>V-675</td> <td>122</td> <td>1/2</td> <td>2900</td> <td>1\"/&gt;  <tr> <td>U-43</td> <td>"</td> <td>"</td> <td>V-675</td> <td>122</td> <td>1/2</td> <td>2900</td> <td>1\"/&gt;  <tr> <td>U-44</td> <td>"</td> <td>"</td> <td>V-675</td> <td>122</td> <td>1/2</td> <td>2900</td> <td>1\"/&gt;  <tr> <td>U-45</td> <td>"</td> <td>"</td> <td>V-675</td> <td>122</td> <td>1/2</td> <td>2900</td> <td>1\"/&gt;  <tr> <td>U-46</td> <td>"</td> <td>"</td> <td>V-675</td> <td>122</td> <td>1/2</td> <td>2900</td> <td>1\"/&gt;  <tr> <td>U-47</td> <td>"</td> <td>"</td> <td>V-675</td> <td>122</td> <td>1/2</td> <td>2900</td> <td>1\"/&gt;  <tr> <td>U-48</td> <td>"</td> <td>"</td> <td>V-675</td> <td>122</td> <td>1/2</td> <td>2900</td> <td>1\"/&gt;  <tr> <td>U-49</td> <td>"</td> <td>"</td> <td>V-675</td> <td>122</td> <td>1/2</td> <td>2900</td> <td>1\"/&gt;  <tr> <td>U-50</td> <td>"</td> <td>"</td> <td>V-675</td> <td>122</td> <td>1/2</td> <td>2900</td> <td>1\"/&gt; 
</td></tr></td></tr></td></tr></td></tr></td></tr></td></tr></td></tr></td></tr></td></tr></td></tr></td></tr></td></tr></td></tr></td></tr></td></tr></td></tr></td></tr></td></tr></td></tr></td></tr></td></tr></td></tr></td></tr></td></tr></td></tr></td></tr></td></tr></td></tr></td></tr></td></tr></td></tr>   | U-20 | " | " | V-675 | 122 | 1/2 | 2900 | 1\"/> <tr> <td>U-21</td> <td>"</td> <td>"</td> <td>V-675</td> <td>122</td> <td>1/2</td> <td>2900</td> <td>1\"/&gt;  <tr> <td>U-22</td> <td>"</td> <td>"</td> <td>V-675</td> <td>122</td> <td>1/2</td> <td>2900</td> <td>1\"/&gt;  <tr> <td>U-23</td> <td>"</td> <td>"</td> <td>V-675</td> <td>122</td> <td>1/2</td> <td>2900</td> <td>1\"/&gt;  <tr> <td>U-24</td> <td>"</td> <td>"</td> <td>V-675</td> <td>122</td> <td>1/2</td> <td>2900</td> <td>1\"/&gt;  <tr> <td>U-25</td> <td>"</td> <td>"</td> <td>V-675</td> <td>122</td> <td>1/2</td> <td>2900</td> <td>1\"/&gt;  <tr> <td>U-26</td> <td>"</td> <td>"</td> <td>V-675</td> <td>122</td> <td>1/2</td> <td>2900</td> <td>1\"/&gt;  <tr> <td>U-27</td> <td>"</td> <td>"</td> <td>V-675</td> <td>122</td> <td>1/2</td> <td>2900</td> <td>1\"/&gt;  <tr> <td>U-28</td> <td>"</td> <td>"</td> <td>V-675</td> <td>122</td> <td>1/2</td> <td>2900</td> <td>1\"/&gt;  <tr> <td>U-29</td> <td>"</td> <td>"</td> <td>V-675</td> <td>122</td> <td>1/2</td> <td>2900</td> <td>1\"/&gt;  <tr> <td>U-30</td> <td>"</td> <td>"</td> <td>V-675</td> <td>122</td> <td>1/2</td> <td>2900</td> <td>1\"/&gt;  <tr> <td>U-31</td> <td>"</td> <td>"</td> <td>V-675</td> <td>122</td> <td>1/2</td> <td>2900</td> <td>1\"/&gt;  <tr> <td>U-32</td> <td>"</td> <td>"</td> <td>V-675</td> <td>122</td> <td>1/2</td> <td>2900</td> <td>1\"/&gt;  <tr> <td>U-33</td> <td>"</td> <td>"</td> <td>V-675</td> <td>122</td> <td>1/2</td> <td>2900</td> <td>1\"/&gt;  <tr> <td>U-34</td> <td>"</td> <td>"</td> <td>V-675</td> <td>122</td> <td>1/2</td> <td>2900</td> <td>1\"/&gt;  <tr> <td>U-35</td> <td>"</td> <td>"</td> <td>V-675</td> <td>122</td> <td>1/2</td> <td>2900</td> <td>1\"/&gt;  <tr> <td>U-36</td> <td>"</td> <td>"</td> <td>V-675</td> <td>122</td> <td>1/2</td> <td>2900</td> <td>1\"/&gt;  <tr> <td>U-37</td> <td>"</td> <td>"</td> <td>V-675</td> <td>122</td> <td>1/2</td> <td>2900</td> <td>1\"/&gt;  <tr> <td>U-38</td> <td>"</td> <td>"</td> <td>V-675</td> <td>122</td> <td>1/2</td> <td>2900</td> <td>1\"/&gt;  <tr> <td>U-39</td> <td>"</td> <td>"</td> <td>V-675</td> <td>122</td> <td>1/2</td> <td>2900</td> <td>1\"/&gt;  <tr> <td>U-40</td> <td>"</td> <td>"</td> <td>V-675</td> <td>122</td> <td>1/2</td> <td>2900</td> <td>1\"/&gt;  <tr> <td>U-41</td> <td>"</td> <td>"</td> <td>V-675</td> <td>122</td> <td>1/2</td> <td>2900</td> <td>1\"/&gt;  <tr> <td>U-42</td> <td>"</td> <td>"</td> <td>V-675</td> <td>122</td> <td>1/2</td> <td>2900</td> <td>1\"/&gt;  <tr> <td>U-43</td> <td>"</td> <td>"</td> <td>V-675</td> <td>122</td> <td>1/2</td> <td>2900</td> <td>1\"/&gt;  <tr> <td>U-44</td> <td>"</td> <td>"</td> <td>V-675</td> <td>122</td> <td>1/2</td> <td>2900</td> <td>1\"/&gt;  <tr> <td>U-45</td> <td>"</td> <td>"</td> <td>V-675</td> <td>122</td> <td>1/2</td> <td>2900</td> <td>1\"/&gt;  <tr> <td>U-46</td> <td>"</td> <td>"</td> <td>V-675</td> <td>122</td> <td>1/2</td> <td>2900</td> <td>1\"/&gt;  <tr> <td>U-47</td> <td>"</td> <td>"</td> <td>V-675</td> <td>122</td> <td>1/2</td> <td>2900</td> <td>1\"/&gt;  <tr> <td>U-48</td> <td>"</td> <td>"</td> <td>V-675</td> <td>122</td> <td>1/2</td> <td>2900</td> <td>1\"/&gt;  <tr> <td>U-49</td> <td>"</td> <td>"</td> <td>V-675</td> <td>122</td> <td>1/2</td> <td>2900</td> <td>1\"/&gt;  <tr> <td>U-50</td> <td>"</td> <td>"</td> <td>V-675</td> <td>122</td> <td>1/2</td> <td>2900</td> <td>1\"/&gt;  </td></tr></td></tr></td></tr></td></tr></td></tr></td></tr></td></tr></td></tr></td></tr></td></tr></td></tr></td></tr></td></tr></td></tr></td></tr></td></tr></td></tr></td></tr></td></tr></td></tr></td></tr></td></tr></td></tr></td></tr></td></tr></td></tr></td></tr></td></tr></td></tr></td></tr>  | U-21 | " | " | V-675 | 122 | 1/2 | 2900 | 1\"/> <tr> <td>U-22</td> <td>"</td> <td>"</td> <td>V-675</td> <td>122</td> <td>1/2</td> <td>2900</td> <td>1\"/&gt;  <tr> <td>U-23</td> <td>"</td> <td>"</td> <td>V-675</td> <td>122</td> <td>1/2</td> <td>2900</td> <td>1\"/&gt;  <tr> <td>U-24</td> <td>"</td> <td>"</td> <td>V-675</td> <td>122</td> <td>1/2</td> <td>2900</td> <td>1\"/&gt;  <tr> <td>U-25</td> <td>"</td> <td>"</td> <td>V-675</td> <td>122</td> <td>1/2</td> <td>2900</td> <td>1\"/&gt;  <tr> <td>U-26</td> <td>"</td> <td>"</td> <td>V-675</td> <td>122</td> <td>1/2</td> <td>2900</td> <td>1\"/&gt;  <tr> <td>U-27</td> <td>"</td> <td>"</td> <td>V-675</td> <td>122</td> <td>1/2</td> <td>2900</td> <td>1\"/&gt;  <tr> <td>U-28</td> <td>"</td> <td>"</td> <td>V-675</td> <td>122</td> <td>1/2</td> <td>2900</td> <td>1\"/&gt;  <tr> <td>U-29</td> <td>"</td> <td>"</td> <td>V-675</td> <td>122</td> <td>1/2</td> <td>2900</td> <td>1\"/&gt;  <tr> <td>U-30</td> <td>"</td> <td>"</td> <td>V-675</td> <td>122</td> <td>1/2</td> <td>2900</td> <td>1\"/&gt;  <tr> <td>U-31</td> <td>"</td> <td>"</td> <td>V-675</td> <td>122</td> <td>1/2</td> <td>2900</td> <td>1\"/&gt;  <tr> <td>U-32</td> <td>"</td> <td>"</td> <td>V-675</td> <td>122</td> <td>1/2</td> <td>2900</td> <td>1\"/&gt;  <tr> <td>U-33</td> <td>"</td> <td>"</td> <td>V-675</td> <td>122</td> <td>1/2</td> <td>2900</td> <td>1\"/&gt;  <tr> <td>U-34</td> <td>"</td> <td>"</td> <td>V-675</td> <td>122</td> <td>1/2</td> <td>2900</td> <td>1\"/&gt;  <tr> <td>U-35</td> <td>"</td> <td>"</td> <td>V-675</td> <td>122</td> <td>1/2</td> <td>2900</td> <td>1\"/&gt;  <tr> <td>U-36</td> <td>"</td> <td>"</td> <td>V-675</td> <td>122</td> <td>1/2</td> <td>2900</td> <td>1\"/&gt;  <tr> <td>U-37</td> <td>"</td> <td>"</td> <td>V-675</td> <td>122</td> <td>1/2</td> <td>2900</td> <td>1\"/&gt;  <tr> <td>U-38</td> <td>"</td> <td>"</td> <td>V-675</td> <td>122</td> <td>1/2</td> <td>2900</td> <td>1\"/&gt;  <tr> <td>U-39</td> <td>"</td> <td>"</td> <td>V-675</td> <td>122</td> <td>1/2</td> <td>2900</td> <td>1\"/&gt;  <tr> <td>U-40</td> <td>"</td> <td>"</td> <td>V-675</td> <td>122</td> <td>1/2</td> <td>2900</td> <td>1\"/&gt;  <tr> <td>U-41</td> <td>"</td> <td>"</td> <td>V-675</td> <td>122</td>
<td>1/2</td> <td>2900</td> <td>1\"/&gt;  <tr> <td>U-42</td> <td>"</td> <td>"</td> <td>V-675</td> <td>122</td> <td>1/2</td> <td>2900</td> <td>1\"/&gt;  <tr> <td>U-43</td> <td>"</td> <td>"</td> <td>V-675</td> <td>122</td> <td>1/2</td> <td>2900</td> <td>1\"/&gt;  <tr> <td>U-44</td> <td>"</td> <td>"</td> <td>V-675</td> <td>122</td> <td>1/2</td> <td>2900</td> <td>1\"/&gt;  <tr> <td>U-45</td> <td>"</td> <td>"</td> <td>V-675</td> <td>122</td> <td>1/2</td> <td>2900</td> <td>1\"/&gt;  <tr> <td>U-46</td> <td>"</td> <td>"</td> <td>V-675</td> <td>122</td> <td>1/2</td> <td>2900</td> <td>1\"/&gt;  <tr> <td>U-47</td> <td>"</td> <td>"</td> <td>V-675</td> <td>122</td> <td>1/2</td> <td>2900</td> <td>1\"/&gt;  <tr> <td>U-48</td> <td>"</td> <td>"</td> <td>V-675</td> <td>122</td> <td>1/2</td> <td>2900</td> <td>1\"/&gt;  <tr> <td>U-49</td> <td>"</td> <td>"</td> <td>V-675</td> <td>122</td> <td>1/2</td> <td>2900</td> <td>1\"/&gt;  <tr> <td>U-50</td> <td>"</td> <td>"</td> <td>V-675</td> <td>122</td> <td>1/2</td> <td>2900</td> <td>1\"/&gt;  </td></tr></td></tr></td></tr></td></tr></td></tr></td></tr></td></tr></td></tr></td></tr></td></tr></td></tr></td></tr></td></tr></td></tr></td></tr></td></tr></td></tr></td></tr></td></tr></td></tr></td></tr></td></tr></td></tr></td></tr></td></tr></td></tr></td></tr></td></tr></td></tr>   | U-22 | " | " | V-675 | 122 | 1/2 | 2900 | 1\"/> <tr> <td>U-23</td> <td>"</td> <td>"</td> <td>V-675</td> <td>122</td> <td>1/2</td> <td>2900</td> <td>1\"/&gt;  <tr> <td>U-24</td> <td>"</td> <td>"</td> <td>V-675</td> <td>122</td> <td>1/2</td> <td>2900</td> <td>1\"/&gt;  <tr> <td>U-25</td> <td>"</td> <td>"</td> <td>V-675</td> <td>122</td> <td>1/2</td> <td>2900</td> <td>1\"/&gt;  <tr> <td>U-26</td> <td>"</td> <td>"</td> <td>V-675</td> <td>122</td> <td>1/2</td> <td>2900</td> <td>1\"/&gt;  <tr> <td>U-27</td> <td>"</td> <td>"</td> <td>V-675</td> <td>122</td> <td>1/2</td> <td>2900</td> <td>1\"/&gt;  <tr> <td>U-28</td> <td>"</td> <td>"</td> <td>V-675</td> <td>122</td> <td>1/2</td> <td>2900</td> <td>1\"/&gt;  <tr> <td>U-29</td> <td>"</td> <td>"</td> <td>V-675</td> <td>122</td> <td>1/2</td> <td>2900</td> <td>1\"/&gt;  <tr> <td>U-30</td> <td>"</td> <td>"</td> <td>V-675</td> <td>122</td> <td>1/2</td> <td>2900</td> <td>1\"/&gt;  <tr> <td>U-31</td> <td>"</td> <td>"</td> <td>V-675</td> <td>122</td> <td>1/2</td> <td>2900</td> <td>1\"/&gt;  <tr> <td>U-32</td> <td>"</td> <td>"</td> <td>V-675</td> <td>122</td> <td>1/2</td> <td>2900</td> <td>1\"/&gt;  <tr> <td>U-33</td> <td>"</td> <td>"</td> <td>V-675</td> <td>122</td> <td>1/2</td> <td>2900</td> <td>1\"/&gt;  <tr> <td>U-34</td> <td>"</td> <td>"</td> <td>V-675</td> <td>122</td> <td>1/2</td> <td>2900</td> <td>1\"/&gt;  <tr> <td>U-35</td> <td>"</td> <td>"</td> <td>V-675</td> <td>122</td> <td>1/2</td> <td>2900</td> <td>1\"/&gt;  <tr> <td>U-36</td> <td>"</td> <td>"</td> <td>V-675</td> <td>122</td> <td>1/2</td> <td>2900</td> <td>1\"/&gt;  <tr> <td>U-37</td> <td>"</td> <td>"</td> <td>V-675</td> <td>122</td> <td>1/2</td> <td>2900</td> <td>1\"/&gt;  <tr> <td>U-38</td> <td>"</td> <td>"</td> <td>V-675</td> <td>122</td> <td>1/2</td> <td>2900</td> <td>1\"/&gt;  <tr> <td>U-39</td> <td>"</td> <td>"</td> <td>V-675</td> <td>122</td> <td>1/2</td> <td>2900</td> <td>1\"/&gt;  <tr> <td>U-40</td> <td>"</td> <td>"</td> <td>V-675</td> <td>122</td> <td>1/2</td> <td>2900</td> <td>1\"/&gt;  <tr> <td>U-41</td> <td>"</td> <td>"</td> <td>V-675</td> <td>122</td> <td>1/2</td> <td>2900</td> <td>1\"/&gt;  <tr> <td>U-42</td> <td>"</td> <td>"</td> <td>V-675</td> <td>122</td> <td>1/2</td> <td>2900</td> <td>1\"/&gt;  <tr> <td>U-43</td> <td>"</td> <td>"</td> <td>V-675</td> <td>122</td> <td>1/2</td> <td>2900</td> <td>1\"/&gt;  <tr> <td>U-44</td> <td>"</td> <td>"</td> <td>V-675</td> <td>122</td> <td>1/2</td> <td>2900</td> <td>1\"/&gt;  <tr> <td>U-45</td> <td>"</td> <td>"</td> <td>V-675</td> <td>122</td> <td>1/2</td> <td>2900</td> <td>1\"/&gt;  <tr> <td>U-46</td> <td>"</td> <td>"</td> <td>V-675</td> <td>122</td> <td>1/2</td> <td>2900</td> <td>1\"/&gt;  <tr> <td>U-47</td> <td>"</td> <td>"</td> <td>V-675</td> <td>122</td> <td>1/2</td> <td>2900</td> <td>1\"/&gt;  <tr> <td>U-48</td> <td>"</td> <td>"</td> <td>V-675</td> <td>122</td> <td>1/2</td> <td>2900</td> <td>1\"/&gt;  <tr> <td>U-49</td> <td>"</td> <td>"</td> <td>V-675</td> <td>122</td> <td>1/2</td> <td>2900</td> <td>1\"/&gt;  <tr> <td>U-50</td> <td>"</td> <td>"</td> <td>V-675</td> <td>122</td> <td>1/2</td> <td>2900</td> <td>1\"/&gt;  </td></tr></td></tr></td></tr></td></tr></td></tr></td></tr></td></tr></td></tr></td></tr></td></tr></td></tr></td></tr></td></tr></td></tr></td></tr></td></tr></td></tr></td></tr></td></tr></td></tr></td></tr></td></tr></td></tr></td></tr></td></tr></td></tr></td></tr></td></tr>  | U-23 | " | " | V-675 | 122 | 1/2 | 2900 | 1\"/> <tr> <td>U-24</td> <td>"</td> <td>"</td> <td>V-675</td> <td>122</td> <td>1/2</td> <td>2900</td> <td>1\"/&gt;  <tr> <td>U-25</td> <td>"</td> <td>"</td> <td>V-675</td> <td>122</td> <td>1/2</td> <td>2900</td> <td>1\"/&gt;  <tr> <td>U-26</td> <td>"</td> <td>"</td> <td>V-675</td> <td>122</td> <td>1/2</td> <td>2900</td> <td>1\"/&gt;  <tr> <td>U-27</td> <td>"</td> <td>"</td> <td>V-675</td> <td>122</td> <td>1/2</td> <td>2900</td> <td>1\"/&gt;  <tr> <td>U-28</td> <td>"</td> <td>"</td> <td>V-675</td> <td>122</td> <td>1/2</td> <td>2900</td> <td>1\"/&gt;  <tr> <td>U-29</td> <td>"</td> <td>"</td> <td>V-675</td> <td>122</td> <td>1/2</td> <td>2900</td> <td>1\"/&gt;  <tr> <td>U-30</td> <td>"</td> <td>"</td> <td>V-675</td> <td>122</td> <td>1/2</td> <td>2900</td> <td>1\"/&gt;  <tr> <td>U-31</td> <td>"</td> <td>"</td> <td>V-675</td> <td>122</td> <td>1/2</td> <td>2900</td> <td>1\"/&gt;  <tr> <td>U-32</td> <td>"</td> <td>"</td> <td>V-675</td> <td>122</td> <td>1/2</td> <td>2900</td> <td>1\"/&gt;  <tr> <td>U-33</td> <td>"</td> <td>"</td> <td>V-675</td> <td>122</td> <td>1/2</td> <td>2900</td> <td>1\"/&gt;  <tr> <td>U-34</td> <td>"</td> <td>"</td> <td>V-675</td> <td>122</td> <td>1/2</td> <td>2900</td> <td>1\"/&gt;  <tr> <td>U-35</td> <td>"</td> <td>"</td> <td>V-675</td> <td>122</td> <td>1/2</td> <td>2900</td> <td>1\"/&gt;  <tr> <td>U-36</td> <td>"</td> <td>"</td> <td>V-675</td>
<td>122</td> <td>1/2</td> <td>2900</td> <td>1\"/&gt;  <tr> <td>U-37</td> <td>"</td> <td>"</td> <td>V-675</td> <td>122</td> <td>1/2</td> <td>2900</td> <td>1\"/&gt;  <tr> <td>U-38</td> <td>"</td> <td>"</td> <td>V-675</td> <td>122</td> <td>1/2</td> <td>2900</td> <td>1\"/&gt;  <tr> <td>U-39</td> <td>"</td> <td>"</td> <td>V-675</td> <td>122</td> <td>1/2</td> <td>2900</td> <td>1\"/&gt;  <tr> <td>U-40</td> <td>"</td> <td>"</td> <td>V-675</td> <td>122</td> <td>1/2</td> <td>2900</td> <td>1\"/&gt;  <tr> <td>U-41</td> <td>"</td> <td>"</td> <td>V-675</td> <td>122</td> <td>1/2</td> <td>2900</td> <td>1\"/&gt;  <tr> <td>U-42</td> <td>"</td> <td>"</td> <td>V-675</td> <td>122</td> <td>1/2</td> <td>2900</td> <td>1\"/&gt;  <tr> <td>U-43</td> <td>"</td> <td>"</td> <td>V-675</td> <td>122</td> <td>1/2</td> <td>2900</td> <td>1\"/&gt;  <tr> <td>U-44</td> <td>"</td> <td>"</td> <td>V-675</td> <td>122</td> <td>1/2</td> <td>2900</td> <td>1\"/&gt;  <tr> <td>U-45</td> <td>"</td> <td>"</td> <td>V-675</td> <td>122</td> <td>1/2</td> <td>2900</td> <td>1\"/&gt;  <tr> <td>U-46</td> <td>"</td> <td>"</td> <td>V-675</td> <td>122</td> <td>1/2</td> <td>2900</td> <td>1\"/&gt;  <tr> <td>U-47</td> <td>"</td> <td>"</td> <td>V-675</td> <td>122</td> <td>1/2</td> <td>2900</td> <td>1\"/&gt;  <tr> <td>U-48</td> <td>"</td> <td>"</td> <td>V-675</td> <td>122</td> <td>1/2</td> <td>2900</td> <td>1\"/&gt;  <tr> <td>U-49</td> <td>"</td> <td>"</td> <td>V-675</td> <td>122</td> <td>1/2</td> <td>2900</td> <td>1\"/&gt;  <tr> <td>U-50</td> <td>"</td> <td>"</td> <td>V-675</td> <td>122</td> <td>1/2</td> <td>2900</td> <td>1\"/&gt;  </td></tr></td></tr></td></tr></td></tr></td></tr></td></tr></td></tr></td></tr></td></tr></td></tr></td></tr></td></tr></td></tr></td></tr></td></tr></td></tr></td></tr></td></tr></td></tr></td></tr></td></tr></td></tr></td></tr></td></tr></td></tr></td></tr></td></tr>   | U-24 | " | " | V-675 | 122 | 1/2 | 2900 | 1\"/> <tr> <td>U-25</td> <td>"</td> <td>"</td> <td>V-675</td> <td>122</td> <td>1/2</td> <td>2900</td> <td>1\"/&gt;  <tr> <td>U-26</td> <td>"</td> <td>"</td> <td>V-675</td> <td>122</td> <td>1/2</td> <td>2900</td> <td>1\"/&gt;  <tr> <td>U-27</td> <td>"</td> <td>"</td> <td>V-675</td> <td>122</td> <td>1/2</td> <td>2900</td> <td>1\"/&gt;  <tr> <td>U-28</td> <td>"</td> <td>"</td> <td>V-675</td> <td>122</td> <td>1/2</td> <td>2900</td> <td>1\"/&gt;  <tr> <td>U-29</td> <td>"</td> <td>"</td> <td>V-675</td> <td>122</td> <td>1/2</td> <td>2900</td> <td>1\"/&gt;  <tr> <td>U-30</td> <td>"</td> <td>"</td> <td>V-675</td> <td>122</td> <td>1/2</td> <td>2900</td> <td>1\"/&gt;  <tr> <td>U-31</td> <td>"</td> <td>"</td> <td>V-675</td> <td>122</td> <td>1/2</td> <td>2900</td> <td>1\"/&gt;  <tr> <td>U-32</td> <td>"</td> <td>"</td> <td>V-675</td> <td>122</td> <td>1/2</td> <td>2900</td> <td>1\"/&gt;  <tr> <td>U-33</td> <td>"</td> <td>"</td> <td>V-675</td> <td>122</td> <td>1/2</td> <td>2900</td> <td>1\"/&gt;  <tr> <td>U-34</td> <td>"</td> <td>"</td> <td>V-675</td> <td>122</td> <td>1/2</td> <td>2900</td> <td>1\"/&gt;  <tr> <td>U-35</td> <td>"</td> <td>"</td> <td>V-675</td> <td>122</td> <td>1/2</td> <td>2900</td> <td>1\"/&gt;  <tr> <td>U-36</td> <td>"</td> <td>"</td> <td>V-675</td> <td>122</td> <td>1/2</td> <td>2900</td> <td>1\"/&gt;  <tr> <td>U-37</td> <td>"</td> <td>"</td> <td>V-675</td> <td>122</td> <td>1/2</td> <td>2900</td> <td>1\"/&gt;  <tr> <td>U-38</td> <td>"</td> <td>"</td> <td>V-675</td> <td>122</td> <td>1/2</td> <td>2900</td> <td>1\"/&gt;  <tr> <td>U-39</td> <td>"</td> <td>"</td> <td>V-675</td> <td>122</td> <td>1/2</td> <td>2900</td> <td>1\"/&gt;  <tr> <td>U-40</td> <td>"</td> <td>"</td> <td>V-675</td> <td>122</td> <td>1/2</td> <td>2900</td> <td>1\"/&gt;  <tr> <td>U-41</td> <td>"</td> <td>"</td> <td>V-675</td> <td>122</td> <td>1/2</td> <td>2900</td> <td>1\"/&gt;  <tr> <td>U-42</td> <td>"</td> <td>"</td> <td>V-675</td> <td>122</td> <td>1/2</td> <td>2900</td> <td>1\"/&gt;  <tr> <td>U-43</td> <td>"</td> <td>"</td> <td>V-675</td> <td>122</td> <td>1/2</td> <td>2900</td> <td>1\"/&gt;  <tr> <td>U-44</td> <td>"</td> <td>"</td> <td>V-675</td> <td>122</td> <td>1/2</td> <td>2900</td> <td>1\"/&gt;  <tr> <td>U-45</td> <td>"</td> <td>"</td> <td>V-675</td> <td>122</td> <td>1/2</td> <td>2900</td> <td>1\"/&gt;  <tr> <td>U-46</td> <td>"</td> <td>"</td> <td>V-675</td> <td>122</td> <td>1/2</td> <td>2900</td> <td>1\"/&gt;  <tr> <td>U-47</td> <td>"</td> <td>"</td> <td>V-675</td> <td>122</td> <td>1/2</td> <td>2900</td> <td>1\"/&gt;  <tr> <td>U-48</td> <td>"</td> <td>"</td> <td>V-675</td> <td>122</td> <td>1/2</td> <td>2900</td> <td>1\"/&gt;  <tr> <td>U-49</td> <td>"</td> <td>"</td> <td>V-675</td> <td>122</td> <td>1/2</td> <td>2900</td> <td>1\"/&gt;  <tr> <td>U-50</td> <td>"</td> <td>"</td> <td>V-675</td> <td>122</td> <td>1/2</td> <td>2900</td> <td>1\"/&gt;  </td></tr></td></tr></td></tr></td></tr></td></tr></td></tr></td></tr></td></tr></td></tr></td></tr></td></tr></td></tr></td></tr></td></tr></td></tr></td></tr></td></tr></td></tr></td></tr></td></tr></td></tr></td></tr></td></tr></td></tr></td></tr></td></tr>  | U-25 | " | " | V-675 | 122 | 1/2 | 2900 | 1\"/> <tr> <td>U-26</td> <td>"</td> <td>"</td> <td>V-675</td> <td>122</td> <td>1/2</td> <td>2900</td> <td>1\"/&gt;  <tr> <td>U-27</td> <td>"</td> <td>"</td> <td>V-675</td> <td>122</td> <td>1/2</td> <td>2900</td> <td>1\"/&gt;  <tr> <td>U-28</td> <td>"</td> <td>"</td> <td>V-675</td> <td>122</td> <td>1/2</td> <td>2900</td> <td>1\"/&gt;  <tr> <td>U-29</td> <td>"</td> <td>"</td> <td>V-675</td> <td>122</td> <td>1/2</td> <td>2900</td> <td>1\"/&gt;  <tr> <td>U-30</td> <td>"</td> <td>"</td> <td>V-675</td> <td>122</td> <td>1/2</td> <td>2900</td> <td>1\"/&gt;  <tr> <td>U-31</td> <td>"</td> <td>"</td> <td>V-675</td> <td>122</td> <td>1/2</td> <td>2900</td> <td>1\"/&gt;  <tr> <td>U-32</td> <td>"</td> <td>"</td> <td>V-675</td> <td>122</td> <td>1/2</td> <td>2900</td> <td>1\"/&gt;  <tr> <td>U-33</td> <td>"</td> <td>"</td> <td>V-675</td> <td>122</td> <td>1/2</td> <td>2900</td> <td>1\"/&gt;  <tr> <td>U-34</td> <td>"</td> <td>"</td> <td>V-675</td> <td>122</td> <td>1/2</td> <td>2900</td> <td>1\"/&gt;  <tr> <td>U-35</td> <td>"</td> <td>"</td> <td>V-675</td> <td>122</td> <td>1/2</td>
<td>2900</td> <td>1\"/&gt;  <tr> <td>U-36</td> <td>"</td> <td>"</td> <td>V-675</td> <td>122</td> <td>1/2</td> <td>2900</td> <td>1\"/&gt;  <tr> <td>U-37</td> <td>"</td> <td>"</td> <td>V-675</td> <td>122</td> <td>1/2</td> <td>2900</td> <td>1\"/&gt;  <tr> <td>U-38</td> <td>"</td> <td>"</td> <td>V-675</td> <td>122</td> <td>1/2</td> <td>2900</td> <td>1\"/&gt;  <tr> <td>U-39</td> <td>"</td> <td>"</td> <td>V-675</td> <td>122</td> <td>1/2</td> <td>2900</td> <td>1\"/&gt;  <tr> <td>U-40</td> <td>"</td> <td>"</td> <td>V-675</td> <td>122</td> <td>1/2</td> <td>2900</td> <td>1\"/&gt;  <tr> <td>U-41</td> <td>"</td> <td>"</td> <td>V-675</td> <td>122</td> <td>1/2</td> <td>2900</td> <td>1\"/&gt;  <tr> <td>U-42</td> <td>"</td> <td>"</td> <td>V-675</td> <td>122</td> <td>1/2</td> <td>2900</td> <td>1\"/&gt;  <tr> <td>U-43</td> <td>"</td> <td>"</td> <td>V-675</td> <td>122</td> <td>1/2</td> <td>2900</td> <td>1\"/&gt;  <tr> <td>U-44</td> <td>"</td> <td>"</td> <td>V-675</td> <td>122</td> <td>1/2</td> <td>2900</td> <td>1\"/&gt;  <tr> <td>U-45</td> <td>"</td> <td>"</td> <td>V-675</td> <td>122</td> <td>1/2</td> <td>2900</td> <td>1\"/&gt;  <tr> <td>U-46</td> <td>"</td> <td>"</td> <td>V-675</td> <td>122</td> <td>1/2</td> <td>2900</td> <td>1\"/&gt;  <tr> <td>U-47</td> <td>"</td> <td>"</td> <td>V-675</td> <td>122</td> <td>1/2</td> <td>2900</td> <td>1\"/&gt;  <tr> <td>U-48</td> <td>"</td> <td>"</td> <td>V-675</td> <td>122</td> <td>1/2</td> <td>2900</td> <td>1\"/&gt;  <tr> <td>U-49</td> <td>"</td> <td>"</td> <td>V-675</td> <td>122</td> <td>1/2</td> <td>2900</td> <td>1\"/&gt;  <tr> <td>U-50</td> <td>"</td> <td>"</td> <td>V-675</td> <td>122</td> <td>1/2</td> <td>2900</td> <td>1\"/&gt;  </td></tr></td></tr></td></tr></td></tr></td></tr></td></tr></td></tr></td></tr></td></tr></td></tr></td></tr></td></tr></td></tr></td></tr></td></tr></td></tr></td></tr></td></tr></td></tr></td></tr></td></tr></td></tr></td></tr></td></tr></td></tr>   | U-26 | " | " | V-675 | 122 | 1/2 | 2900 | 1\"/> <tr> <td>U-27</td> <td>"</td> <td>"</td> <td>V-675</td> <td>122</td> <td>1/2</td> <td>2900</td> <td>1\"/&gt;  <tr> <td>U-28</td> <td>"</td> <td>"</td> <td>V-675</td> <td>122</td> <td>1/2</td> <td>2900</td> <td>1\"/&gt;  <tr> <td>U-29</td> <td>"</td> <td>"</td> <td>V-675</td> <td>122</td> <td>1/2</td> <td>2900</td> <td>1\"/&gt;  <tr> <td>U-30</td> <td>"</td> <td>"</td> <td>V-675</td> <td>122</td> <td>1/2</td> <td>2900</td> <td>1\"/&gt;  <tr> <td>U-31</td> <td>"</td> <td>"</td> <td>V-675</td> <td>122</td> <td>1/2</td> <td>2900</td> <td>1\"/&gt;  <tr> <td>U-32</td> <td>"</td> <td>"</td> <td>V-675</td> <td>122</td> <td>1/2</td> <td>2900</td> <td>1\"/&gt;  <tr> <td>U-33</td> <td>"</td> <td>"</td> <td>V-675</td> <td>122</td> <td>1/2</td> <td>2900</td> <td>1\"/&gt;  <tr> <td>U-34</td> <td>"</td> <td>"</td> <td>V-675</td> <td>122</td> <td>1/2</td> <td>2900</td> <td>1\"/&gt;  <tr> <td>U-35</td> <td>"</td> <td>"</td> <td>V-675</td> <td>122</td> <td>1/2</td> <td>2900</td> <td>1\"/&gt;  <tr> <td>U-36</td> <td>"</td> <td>"</td> <td>V-675</td> <td>122</td> <td>1/2</td> <td>2900</td> <td>1\"/&gt;  <tr> <td>U-37</td> <td>"</td> <td>"</td> <td>V-675</td> <td>122</td> <td>1/2</td> <td>2900</td> <td>1\"/&gt;  <tr> <td>U-38</td> <td>"</td> <td>"</td> <td>V-675</td> <td>122</td> <td>1/2</td> <td>2900</td> <td>1\"/&gt;  <tr> <td>U-39</td> <td>"</td> <td>"</td> <td>V-675</td> <td>122</td> <td>1/2</td> <td>2900</td> <td>1\"/&gt;  <tr> <td>U-40</td> <td>"</td> <td>"</td> <td>V-675</td> <td>122</td> <td>1/2</td> <td>2900</td> <td>1\"/&gt;  <tr> <td>U-41</td> <td>"</td> <td>"</td> <td>V-675</td> <td>122</td> <td>1/2</td> <td>2900</td> <td>1\"/&gt;  <tr> <td>U-42</td> <td>"</td> <td>"</td> <td>V-675</td> <td>122</td> <td>1/2</td> <td>2900</td> <td>1\"/&gt;  <tr> <td>U-43</td> <td>"</td> <td>"</td> <td>V-675</td> <td>122</td> <td>1/2</td> <td>2900</td> <td>1\"/&gt;  <tr> <td>U-44</td> <td>"</td> <td>"</td> <td>V-675</td> <td>122</td> <td>1/2</td> <td>2900</td> <td>1\"/&gt;  <tr> <td>U-45</td> <td>"</td> <td>"</td> <td>V-675</td> <td>122</td> <td>1/2</td> <td>2900</td> <td>1\"/&gt;  <tr> <td>U-46</td> <td>"</td> <td>"</td> <td>V-675</td> <td>122</td> <td>1/2</td> <td>2900</td> <td>1\"/&gt;  <tr> <td>U-47</td> <td>"</td> <td>"</td> <td>V-675</td> <td>122</td> <td>1/2</td> <td>2900</td> <td>1\"/&gt;  <tr> <td>U-48</td> <td>"</td> <td>"</td> <td>V-675</td> <td>122</td> <td>1/2</td> <td>2900</td> <td>1\"/&gt;  <tr> <td>U-49</td> <td>"</td> <td>"</td> <td>V-675</td> <td>122</td> <td>1/2</td> <td>2900</td> <td>1\"/&gt;  <tr> <td>U-50</td> <td>"</td> <td>"</td> <td>V-675</td> <td>122</td> <td>1/2</td> <td>2900</td> <td>1\"/&gt;  </td></tr></td></tr></td></tr></td></tr></td></tr></td></tr></td></tr></td></tr></td></tr></td></tr></td></tr></td></tr></td></tr></td></tr></td></tr></td></tr></td></tr></td></tr></td></tr></td></tr></td></tr></td></tr></td></tr></td></tr>   | U-27 | " | " | V-675 | 122 | 1/2 | 2900 | 1\"/> <tr> <td>U-28</td> <td>"</td> <td>"</td> <td>V-675</td> <td>122</td> <td>1/2</td> <td>2900</td> <td>1\"/&gt;  <tr> <td>U-29</td> <td>"</td> <td>"</td> <td>V-675</td> <td>122</td> <td>1/2</td> <td>2900</td> <td>1\"/&gt;  <tr> <td>U-30</td> <td>"</td> <td>"</td> <td>V-675</td> <td>122</td> <td>1/2</td> <td>2900</td> <td>1\"/&gt;  <tr> <td>U-31</td> <td>"</td> <td>"</td> <td>V-675</td> <td>122</td> <td>1/2</td> <td>2900</td> <td>1\"/&gt;  <tr> <td>U-32</td> <td>"</td> <td>"</td> <td>V-675</td> <td>122</td> <td>1/2</td> <td>2900</td> <td>1\"/&gt;  <tr> <td>U-33</td> <td>"</td> <td>"</td> <td>V-675</td> <td>122</td> <td>1/2</td> <td>2900</td> <td>1\"/&gt;  <tr> <td>U-34</td> <td>"</td> <td>"</td> <td>V-675</td> <td>122</td> <td>1/2</td> <td>2900</td> <td>1\"/&gt;  <tr> <td>U-35</td> <td>"</td> <td>"</td> <td>V-675</td> <td>122</td> <td>1/2</td> <td>2900</td> <td>1\"/&gt;  <tr> <td>U-36</td> <td>"</td> <td>"</td> <td>V-675</td> <td>122</td> <td>1/2</td> <td>2900</td> <td>1\"/&gt;  <tr> <td>U-37</td> <td>"</td> <td>"</td> <td>V-675</td> <td>122</td> <td>1/2</td> <td>2900</td> <td>1\"/&gt;  <tr> <td>U-38</td> <td>"</td> <td>"</td> <td>V-675</td> <td>122</td> <td>1/2</td> <td>2900</td> <td>1\"/&gt;  <tr> <td>U-39</td> <td>"</td>
<td>"</td> <td>V-675</td> <td>122</td> <td>1/2</td> <td>2900</td> <td>1\"/&gt;  <tr> <td>U-40</td> <td>"</td> <td>"</td> <td>V-675</td> <td>122</td> <td>1/2</td> <td>2900</td> <td>1\"/&gt;  <tr> <td>U-41</td> <td>"</td> <td>"</td> <td>V-675</td> <td>122</td> <td>1/2</td> <td>2900</td> <td>1\"/&gt;  <tr> <td>U-42</td> <td>"</td> <td>"</td> <td>V-675</td> <td>122</td> <td>1/2</td> <td>2900</td> <td>1\"/&gt;  <tr> <td>U-43</td> <td>"</td> <td>"</td> <td>V-675</td> <td>122</td> <td>1/2</td> <td>2900</td> <td>1\"/&gt;  <tr> <td>U-44</td> <td>"</td> <td>"</td> <td>V-675</td> <td>122</td> <td>1/2</td> <td>2900</td> <td>1\"/&gt;  <tr> <td>U-45</td> <td>"</td> <td>"</td> <td>V-675</td> <td>122</td> <td>1/2</td> <td>2900</td> <td>1\"/&gt;  <tr> <td>U-46</td> <td>"</td> <td>"</td> <td>V-675</td> <td>122</td> <td>1/2</td> <td>2900</td> <td>1\"/&gt;  <tr> <td>U-47</td> <td>"</td> <td>"</td> <td>V-675</td> <td>122</td> <td>1/2</td> <td>2900</td> <td>1\"/&gt;  <tr> <td>U-48</td> <td>"</td> <td>"</td> <td>V-675</td> <td>122</td> <td>1/2</td> <td>2900</td> <td>1\"/&gt;  <tr> <td>U-49</td> <td>"</td> <td>"</td> <td>V-675</td> <td>122</td> <td>1/2</td> <td>2900</td> <td>1\"/&gt;  <tr> <td>U-50</td> <td>"</td> <td>"</td> <td>V-675</td> <td>122</td> <td>1/2</td> <td>2900</td> <td>1\"/&gt;  </td></tr></td></tr></td></tr></td></tr></td></tr></td></tr></td></tr></td></tr></td></tr></td></tr></td></tr></td></tr></td></tr></td></tr></td></tr></td></tr></td></tr></td></tr></td></tr></td></tr></td></tr></td></tr></td></tr>   | U-28 | " | " | V-675 | 122 | 1/2 | 2900 | 1\"/> <tr> <td>U-29</td> <td>"</td> <td>"</td> <td>V-675</td> <td>122</td> <td>1/2</td> <td>2900</td> <td>1\"/&gt;  <tr> <td>U-30</td> <td>"</td> <td>"</td> <td>V-675</td> <td>122</td> <td>1/2</td> <td>2900</td> <td>1\"/&gt;  <tr> <td>U-31</td> <td>"</td> <td>"</td> <td>V-675</td> <td>122</td> <td>1/2</td> <td>2900</td> <td>1\"/&gt;  <tr> <td>U-32</td> <td>"</td> <td>"</td> <td>V-675</td> <td>122</td> <td>1/2</td> <td>2900</td> <td>1\"/&gt;  <tr> <td>U-33</td> <td>"</td> <td>"</td> <td>V-675</td> <td>122</td> <td>1/2</td> <td>2900</td> <td>1\"/&gt;  <tr> <td>U-34</td> <td>"</td> <td>"</td> <td>V-675</td> <td>122</td> <td>1/2</td> <td>2900</td> <td>1\"/&gt;  <tr> <td>U-35</td> <td>"</td> <td>"</td> <td>V-675</td> <td>122</td> <td>1/2</td> <td>2900</td> <td>1\"/&gt;  <tr> <td>U-36</td> <td>"</td> <td>"</td> <td>V-675</td> <td>122</td> <td>1/2</td> <td>2900</td> <td>1\"/&gt;  <tr> <td>U-37</td> <td>"</td> <td>"</td> <td>V-675</td> <td>122</td> <td>1/2</td> <td>2900</td> <td>1\"/&gt;  <tr> <td>U-38</td> <td>"</td> <td>"</td> <td>V-675</td> <td>122</td> <td>1/2</td> <td>2900</td> <td>1\"/&gt;  <tr> <td>U-39</td> <td>"</td> <td>"</td> <td>V-675</td> <td>122</td> <td>1/2</td> <td>2900</td> <td>1\"/&gt;  <tr> <td>U-40</td> <td>"</td> <td>"</td> <td>V-675</td> <td>122</td> <td>1/2</td> <td>2900</td> <td>1\"/&gt;  <tr> <td>U-41</td> <td>"</td> <td>"</td> <td>V-675</td> <td>122</td> <td>1/2</td> <td>2900</td> <td>1\"/&gt;  <tr> <td>U-42</td> <td>"</td> <td>"</td> <td>V-675</td> <td>122</td> <td>1/2</td> <td>2900</td> <td>1\"/&gt;  <tr> <td>U-43</td> <td>"</td> <td>"</td> <td>V-675</td> <td>122</td> <td>1/2</td> <td>2900</td> <td>1\"/&gt;  <tr> <td>U-44</td> <td>"</td> <td>"</td> <td>V-675</td> <td>122</td> <td>1/2</td> <td>2900</td> <td>1\"/&gt;  <tr> <td>U-45</td> <td>"</td> <td>"</td> <td>V-675</td> <td>122</td> <td>1/2</td> <td>2900</td> <td>1\"/&gt;  <tr> <td>U-46</td> <td>"</td> <td>"</td> <td>V-675</td> <td>122</td> <td>1/2</td> <td>2900</td> <td>1\"/&gt;  <tr> <td>U-47</td> <td>"</td> <td>"</td> <td>V-675</td> <td>122</td> <td>1/2</td> <td>2900</td> <td>1\"/&gt;  <tr> <td>U-48</td> <td>"</td> <td>"</td> <td>V-675</td> <td>122</td> <td>1/2</td> <td>2900</td> <td>1\"/&gt;  <tr> <td>U-49</td> <td>"</td> <td>"</td> <td>V-675</td> <td>122</td> <td>1/2</td> <td>2900</td> <td>1\"/&gt;  <tr> <td>U-50</td> <td>"</td> <td>"</td> <td>V-675</td> <td>122</td> <td>1/2</td> <td>2900</td> <td>1\"/&gt;  </td></tr></td></tr></td></tr></td></tr></td></tr></td></tr></td></tr></td></tr></td></tr></td></tr></td></tr></td></tr></td></tr></td></tr></td></tr></td></tr></td></tr></td></tr></td></tr></td></tr></td></tr></td></tr>   | U-29 | " | " | V-675 | 122 | 1/2 | 2900 | 1\"/> <tr> <td>U-30</td> <td>"</td> <td>"</td> <td>V-675</td> <td>122</td> <td>1/2</td> <td>2900</td> <td>1\"/&gt;  <tr> <td>U-31</td> <td>"</td> <td>"</td> <td>V-675</td> <td>122</td> <td>1/2</td> <td>2900</td> <td>1\"/&gt;  <tr> <td>U-32</td> <td>"</td> <td>"</td> <td>V-675</td> <td>122</td> <td>1/2</td> <td>2900</td> <td>1\"/&gt;  <tr> <td>U-33</td> <td>"</td> <td>"</td> <td>V-675</td> <td>122</td> <td>1/2</td> <td>2900</td> <td>1\"/&gt;  <tr> <td>U-34</td> <td>"</td> <td>"</td> <td>V-675</td> <td>122</td> <td>1/2</td> <td>2900</td> <td>1\"/&gt;  <tr> <td>U-35</td> <td>"</td> <td>"</td> <td>V-675</td> <td>122</td> <td>1/2</td> <td>2900</td> <td>1\"/&gt;  <tr> <td>U-36</td> <td>"</td> <td>"</td> <td>V-675</td> <td>122</td> <td>1/2</td> <td>2900</td> <td>1\"/&gt;  <tr> <td>U-37</td> <td>"</td> <td>"</td> <td>V-675</td> <td>122</td> <td>1/2</td> <td>2900</td> <td>1\"/&gt;  <tr> <td>U-38</td> <td>"</td> <td>"</td> <td>V-675</td> <td>122</td> <td>1/2</td> <td>2900</td> <td>1\"/&gt;  <tr> <td>U-39</td> <td>"</td> <td>"</td> <td>V-675</td> <td>122</td> <td>1/2</td> <td>2900</td> <td>1\"/&gt;  <tr> <td>U-40</td> <td>"</td> <td>"</td> <td>V-675</td> <td>122</td> <td>1/2</td> <td>2900</td> <td>1\"/&gt;  <tr> <td>U-41</td> <td>"</td> <td>"</td> <td>V-675</td> <td>122</td> <td>1/2</td> <td>2900</td> <td>1\"/&gt;  <tr> <td>U-42</td> <td>"</td> <td>"</td> <td>V-675</td> <td>122</td> <td>1/2</td> <td>2900</td> <td>1\"/&gt;  <tr> <td>U-43</td> <td>"</td> <td>"</td> <td>V-675</td> <td>122</td> <td>1/2</td> <td>2900</td> <td>1\"/&gt;  <tr> <td>U-44</td> <td>"</td> <td>"</td> <td>V-675</td> <td>122</td> <td>1/2</td> <td>2900</td> <td>1\"/&gt;  <tr> <td>U-45</td> <td>"</td> <td>"</td> <td>V-675</td> <td>122</td> <td>1/2</td> <td>2900</td> <td>1\"/&gt;  <tr> <td>U-46</td> <td>"</td> <td>"</td> <td>V-675</td> <td>122</td> <td>1/2</td> <td>2900</td> <td>1\"/&gt;  <tr> <td>U-47</td>
<td>"</td> <td>"</td> <td>V-675</td> <td>122</td> <td>1/2</td> <td>2900</td> <td>1\"/&gt;  <tr> <td>U-48</td> <td>"</td> <td>"</td> <td>V-675</td> <td>122</td> <td>1/2</td> <td>2900</td> <td>1\"/&gt;  <tr> <td>U-49</td> <td>"</td> <td>"</td> <td>V-675</td> <td>122</td> <td>1/2</td> <td>2900</td> <td>1\"/&gt;  <tr> <td>U-50</td> <td>"</td> <td>"</td> <td>V-675</td> <td>122</td> <td>1/2</td> <td>2900</td> <td>1\"/&gt;  </td></tr></td></tr></td></tr></td></tr></td></tr></td></tr></td></tr></td></tr></td></tr></td></tr></td></tr></td></tr></td></tr></td></tr></td></tr></td></tr></td></tr></td></tr></td></tr></td></tr></td></tr>   | U-30 | " | " | V-675 | 122 | 1/2 | 2900 | 1\"/> <tr> <td>U-31</td> <td>"</td> <td>"</td> <td>V-675</td> <td>122</td> <td>1/2</td> <td>2900</td> <td>1\"/&gt;  <tr> <td>U-32</td> <td>"</td> <td>"</td> <td>V-675</td> <td>122</td> <td>1/2</td> <td>2900</td> <td>1\"/&gt;  <tr> <td>U-33</td> <td>"</td> <td>"</td> <td>V-675</td> <td>122</td> <td>1/2</td> <td>2900</td> <td>1\"/&gt;  <tr> <td>U-34</td> <td>"</td> <td>"</td> <td>V-675</td> <td>122</td> <td>1/2</td> <td>2900</td> <td>1\"/&gt;  <tr> <td>U-35</td> <td>"</td> <td>"</td> <td>V-675</td> <td>122</td> <td>1/2</td> <td>2900</td> <td>1\"/&gt;  <tr> <td>U-36</td> <td>"</td> <td>"</td> <td>V-675</td> <td>122</td> <td>1/2</td> <td>2900</td> <td>1\"/&gt;  <tr> <td>U-37</td> <td>"</td> <td>"</td> <td>V-675</td> <td>122</td> <td>1/2</td> <td>2900</td> <td>1\"/&gt;  <tr> <td>U-38</td> <td>"</td> <td>"</td> <td>V-675</td> <td>122</td> <td>1/2</td> <td>2900</td> <td>1\"/&gt;  <tr> <td>U-39</td> <td>"</td> <td>"</td> <td>V-675</td> <td>122</td> <td>1/2</td> <td>2900</td> <td>1\"/&gt;  <tr> <td>U-40</td> <td>"</td> <td>"</td> <td>V-675</td> <td>122</td> <td>1/2</td> <td>2900</td> <td>1\"/&gt;  <tr> <td>U-41</td> <td>"</td> <td>"</td> <td>V-675</td> <td>122</td> <td>1/2</td> <td>2900</td> <td>1\"/&gt;  <tr> <td>U-42</td> <td>"</td> <td>"</td> <td>V-675</td> <td>122</td> <td>1/2</td> <td>2900</td> <td>1\"/&gt;  <tr> <td>U-43</td> <td>"</td> <td>"</td> <td>V-675</td> <td>122</td> <td>1/2</td> <td>2900</td> <td>1\"/&gt;  <tr> <td>U-44</td> <td>"</td> <td>"</td> <td>V-675</td> <td>122</td> <td>1/2</td> <td>2900</td> <td>1\"/&gt;  <tr> <td>U-45</td> <td>"</td> <td>"</td> <td>V-675</td> <td>122</td> <td>1/2</td> <td>2900</td> <td>1\"/&gt;  <tr> <td>U-46</td> <td>"</td> <td>"</td> <td>V-675</td> <td>122</td> <td>1/2</td> <td>2900</td> <td>1\"/&gt;  <tr> <td>U-47</td> <td>"</td> <td>"</td> <td>V-675</td> <td>122</td> <td>1/2</td> <td>2900</td> <td>1\"/&gt;  <tr> <td>U-48</td> <td>"</td> <td>"</td> <td>V-675</td> <td>122</td> <td>1/2</td> <td>2900</td> <td>1\"/&gt;  <tr> <td>U-49</td> <td>"</td> <td>"</td> <td>V-675</td> <td>122</td> <td>1/2</td> <td>2900</td> <td>1\"/&gt;  <tr> <td>U-50</td> <td>"</td> <td>"</td> <td>V-675</td> <td>122</td> <td>1/2</td> <td>2900</td> <td>1\"/&gt;  </td></tr></td></tr></td></tr></td></tr></td></tr></td></tr></td></tr></td></tr></td></tr></td></tr></td></tr></td></tr></td></tr></td></tr></td></tr></td></tr></td></tr></td></tr></td></tr></td></tr>   | U-31 | " | " | V-675 | 122 | 1/2 | 2900 | 1\"/> <tr> <td>U-32</td> <td>"</td> <td>"</td> <td>V-675</td> <td>122</td> <td>1/2</td> <td>2900</td> <td>1\"/&gt;  <tr> <td>U-33</td> <td>"</td> <td>"</td> <td>V-675</td> <td>122</td> <td>1/2</td> <td>2900</td> <td>1\"/&gt;  <tr> <td>U-34</td> <td>"</td> <td>"</td> <td>V-675</td> <td>122</td> <td>1/2</td> <td>2900</td> <td>1\"/&gt;  <tr> <td>U-35</td> <td>"</td> <td>"</td> <td>V-675</td> <td>122</td> <td>1/2</td> <td>2900</td> <td>1\"/&gt;  <tr> <td>U-36</td> <td>"</td> <td>"</td> <td>V-675</td> <td>122</td> <td>1/2</td> <td>2900</td> <td>1\"/&gt;  <tr> <td>U-37</td> <td>"</td> <td>"</td> <td>V-675</td> <td>122</td> <td>1/2</td> <td>2900</td> <td>1\"/&gt;  <tr> <td>U-38</td> <td>"</td> <td>"</td> <td>V-675</td> <td>122</td> <td>1/2</td> <td>2900</td> <td>1\"/&gt;  <tr> <td>U-39</td> <td>"</td> <td>"</td> <td>V-675</td> <td>122</td> <td>1/2</td> <td>2900</td> <td>1\"/&gt;  <tr> <td>U-40</td> <td>"</td> <td>"</td> <td>V-675</td> <td>122</td> <td>1/2</td> <td>2900</td> <td>1\"/&gt;  <tr> <td>U-41</td> <td>"</td> <td>"</td> <td>V-675</td> <td>122</td> <td>1/2</td> <td>2900</td> <td>1\"/&gt;  <tr> <td>U-42</td> <td>"</td> <td>"</td> <td>V-675</td> <td>122</td> <td>1/2</td> <td>2900</td> <td>1\"/&gt;  <tr> <td>U-43</td> <td>"</td> <td>"</td> <td>V-675</td> <td>122</td> <td>1/2</td> <td>2900</td> <td>1\"/&gt;  <tr> <td>U-44</td> <td>"</td> <td>"</td> <td>V-675</td> <td>122</td> <td>1/2</td> <td>2900</td> <td>1\"/&gt;  <tr> <td>U-45</td> <td>"</td> <td>"</td> <td>V-675</td> <td>122</td> <td>1/2</td> <td>2900</td> <td>1\"/&gt;  <tr> <td>U-46</td> <td>"</td> <td>"</td> <td>V-675</td> <td>122</td> <td>1/2</td> <td>2900</td> <td>1\"/&gt;  <tr> <td>U-47</td> <td>"</td> <td>"</td> <td>V-675</td> <td>122</td> <td>1/2</td> <td>2900</td> <td>1\"/&gt;  <tr> <td>U-48</td> <td>"</td> <td>"</td> <td>V-675</td> <td>122</td> <td>1/2</td> <td>2900</td> <td>1\"/&gt;  <tr> <td>U-49</td> <td>"</td> <td>"</td> <td>V-675</td> <td>122</td> <td>1/2</td> <td>2900</td> <td>1\"/&gt;  <tr> <td>U-50</td> <td>"</td> <td>"</td> <td>V-675</td> <td>122</td> <td>1/2</td> <td>2900</td> <td>1\"/&gt;  </td></tr></td></tr></td></tr></td></tr></td></tr></td></tr></td></tr></td></tr></td></tr></td></tr></td></tr></td></tr></td></tr></td></tr></td></tr></td></tr></td></tr></td></tr></td></tr>  
  | U-32 | " | " | V-675 | 122 | 1/2 | 2900 | 1\"/> <tr> <td>U-33</td> <td>"</td> <td>"</td> <td>V-675</td> <td>122</td> <td>1/2</td> <td>2900</td> <td>1\"/&gt;  <tr> <td>U-34</td> <td>"</td> <td>"</td> <td>V-675</td> <td>122</td> <td>1/2</td> <td>2900</td> <td>1\"/&gt;  <tr> <td>U-35</td> <td>"</td> <td>"</td> <td>V-675</td> <td>122</td> <td>1/2</td> <td>2900</td> <td>1\"/&gt;  <tr> <td>U-36</td> <td>"</td> <td>"</td> <td>V-675</td> <td>122</td> <td>1/2</td> <td>2900</td> <td>1\"/&gt;  <tr> <td>U-37</td> <td>"</td> <td>"</td> <td>V-675</td> <td>122</td> <td>1/2</td> <td>2900</td> <td>1\"/&gt;  <tr> <td>U-38</td> <td>"</td> <td>"</td> <td>V-675</td> <td>122</td> <td>1/2</td> <td>2900</td> <td>1\"/&gt;  <tr> <td>U-39</td> <td>"</td> <td>"</td> <td>V-675</td> <td>122</td> <td>1/2</td> <td>2900</td> <td>1\"/&gt;  <tr> <td>U-40</td> <td>"</td> <td>"</td> <td>V-675</td> <td>122</td> <td>1/2</td> <td>2900</td> <td>1\"/&gt;  <tr> <td>U-41</td> <td>"</td> <td>"</td> <td>V-675</td> <td>122</td> <td>1/2</td> <td>2900</td> <td>1\"/&gt;  <tr> <td>U-42</td> <td>"</td> <td>"</td> <td>V-675</td> <td>122</td> <td>1/2</td> <td>2900</td> <td>1\"/&gt;  <tr> <td>U-43</td> <td>"</td> <td>"</td> <td>V-675</td> <td>122</td> <td>1/2</td> <td>2900</td> <td>1\"/&gt;  <tr> <td>U-44</td> <td>"</td> <td>"</td> <td>V-675</td> <td>122</td> <td>1/2</td> <td>2900</td> <td>1\"/&gt;  <tr> <td>U-45</td> <td>"</td> <td>"</td> <td>V-675</td> <td>122</td> <td>1/2</td> <td>2900</td> <td>1\"/&gt;  <tr> <td>U-46</td> <td>"</td> <td>"</td> <td>V-675</td> <td>122</td> <td>1/2</td> <td>2900</td> <td>1\"/&gt;  <tr> <td>U-47</td> <td>"</td> <td>"</td> <td>V-675</td> <td>122</td> <td>1/2</td> <td>2900</td> <td>1\"/&gt;  <tr> <td>U-48</td> <td>"</td> <td>"</td> <td>V-675</td> <td>122</td> <td>1/2</td> <td>2900</td> <td>1\"/&gt;  <tr> <td>U-49</td> <td>"</td> <td>"</td> <td>V-675</td> <td>122</td> <td>1/2</td> <td>2900</td> <td>1\"/&gt;  <tr> <td>U-50</td> <td>"</td> <td>"</td> <td>V-675</td> <td>122</td> <td>1/2</td> <td>2900</td> <td>1\"/&gt;  </td></tr></td></tr></td></tr></td></tr></td></tr></td></tr></td></tr></td></tr></td></tr></td></tr></td></tr></td></tr></td></tr></td></tr></td></tr></td></tr></td></tr></td></tr>   | U-33 | " | " | V-675 | 122 | 1/2 | 2900 | 1\"/> <tr> <td>U-34</td> <td>"</td> <td>"</td> <td>V-675</td> <td>122</td> <td>1/2</td> <td>2900</td> <td>1\"/&gt;  <tr> <td>U-35</td> <td>"</td> <td>"</td> <td>V-675</td> <td>122</td> <td>1/2</td> <td>2900</td> <td>1\"/&gt;  <tr> <td>U-36</td> <td>"</td> <td>"</td> <td>V-675</td> <td>122</td> <td>1/2</td> <td>2900</td> <td>1\"/&gt;  <tr> <td>U-37</td> <td>"</td> <td>"</td> <td>V-675</td> <td>122</td> <td>1/2</td> <td>2900</td> <td>1\"/&gt;  <tr> <td>U-38</td> <td>"</td> <td>"</td> <td>V-675</td> <td>122</td> <td>1/2</td> <td>2900</td> <td>1\"/&gt;  <tr> <td>U-39</td> <td>"</td> <td>"</td> <td>V-675</td> <td>122</td> <td>1/2</td> <td>2900</td> <td>1\"/&gt;  <tr> <td>U-40</td> <td>"</td> <td>"</td> <td>V-675</td> <td>122</td> <td>1/2</td> <td>2900</td> <td>1\"/&gt;  <tr> <td>U-41</td> <td>"</td> <td>"</td> <td>V-675</td> <td>122</td> <td>1/2</td> <td>2900</td> <td>1\"/&gt;  <tr> <td>U-42</td> <td>"</td> <td>"</td> <td>V-675</td> <td>122</td> <td>1/2</td> <td>2900</td> <td>1\"/&gt;  <tr> <td>U-43</td> <td>"</td> <td>"</td> <td>V-675</td> <td>122</td> <td>1/2</td> <td>2900</td> <td>1\"/&gt;  <tr> <td>U-44</td> <td>"</td> <td>"</td> <td>V-675</td> <td>122</td> <td>1/2</td> <td>2900</td> <td>1\"/&gt;  <tr> <td>U-45</td> <td>"</td> <td>"</td> <td>V-675</td> <td>122</td> <td>1/2</td> <td>2900</td> <td>1\"/&gt;  <tr> <td>U-46</td> <td>"</td> <td>"</td> <td>V-675</td> <td>122</td> <td>1/2</td> <td>2900</td> <td>1\"/&gt;  <tr> <td>U-47</td> <td>"</td> <td>"</td> <td>V-675</td> <td>122</td> <td>1/2</td> <td>2900</td> <td>1\"/&gt;  <tr> <td>U-48</td> <td>"</td> <td>"</td> <td>V-675</td> <td>122</td> <td>1/2</td> <td>2900</td> <td>1\"/&gt;  <tr> <td>U-49</td> <td>"</td> <td>"</td> <td>V-675</td> <td>122</td> <td>1/2</td> <td>2900</td> <td>1\"/&gt;  <tr> <td>U-50</td> <td>"</td> <td>"</td> <td>V-675</td> <td>122</td> <td>1/2</td> <td>2900</td> <td>1\"/&gt;  </td></tr></td></tr></td></tr></td></tr></td></tr></td></tr></td></tr></td></tr></td></tr></td></tr></td></tr></td></tr></td></tr></td></tr></td></tr></td></tr></td></tr>   | U-34 | " | " | V-675 | 122 | 1/2 | 2900 | 1\"/> <tr> <td>U-35</td> <td>"</td> <td>"</td> <td>V-675</td> <td>122</td> <td>1/2</td> <td>2900</td> <td>1\"/&gt;  <tr> <td>U-36</td> <td>"</td> <td>"</td> <td>V-675</td> <td>122</td> <td>1/2</td> <td>2900</td> <td>1\"/&gt;  <tr> <td>U-37</td> <td>"</td> <td>"</td> <td>V-675</td> <td>122</td> <td>1/2</td> <td>2900</td> <td>1\"/&gt;  <tr> <td>U-38</td> <td>"</td> <td>"</td> <td>V-675</td> <td>122</td> <td>1/2</td> <td>2900</td> <td>1\"/&gt;  <tr> <td>U-39</td> <td>"</td> <td>"</td> <td>V-675</td> <td>122</td> <td>1/2</td> <td>2900</td> <td>1\"/&gt;  <tr> <td>U-40</td> <td>"</td> <td>"</td> <td>V-675</td> <td>122</td> <td>1/2</td>
<td>2900</td> <td>1\"/&gt;  <tr> <td>U-41</td> <td>"</td> <td>"</td> <td>V-675</td> <td>122</td> <td>1/2</td> <td>2900</td> <td>1\"/&gt;  <tr> <td>U-42</td> <td>"</td> <td>"</td> <td>V-675</td> <td>122</td> <td>1/2</td> <td>2900</td> <td>1\"/&gt;  <tr> <td>U-43</td> <td>"</td> <td>"</td> <td>V-675</td> <td>122</td> <td>1/2</td> <td>2900</td> <td>1\"/&gt;  <tr> <td>U-44</td> <td>"</td> <td>"</td> <td>V-675</td> <td>122</td> <td>1/2</td> <td>2900</td> <td>1\"/&gt;  <tr> <td>U-45</td> <td>"</td> <td>"</td> <td>V-675</td> <td>122</td> <td>1/2</td> <td>2900</td> <td>1\"/&gt;  <tr> <td>U-46</td> <td>"</td> <td>"</td> <td>V-675</td> <td>122</td> <td>1/2</td> <td>2900</td> <td>1\"/&gt;  <tr> <td>U-47</td> <td>"</td> <td>"</td> <td>V-675</td> <td>122</td> <td>1/2</td> <td>2900</td> <td>1\"/&gt;  <tr> <td>U-48</td> <td>"</td> <td>"</td> <td>V-675</td> <td>122</td> <td>1/2</td> <td>2900</td> <td>1\"/&gt;  <tr> <td>U-49</td> <td>"</td> <td>"</td> <td>V-675</td> <td>122</td> <td>1/2</td> <td>2900</td> <td>1\"/&gt;  <tr> <td>U-50</td> <td>"</td> <td>"</td> <td>V-675</td> <td>122</td> <td>1/2</td> <td>2900</td> <td>1\"/&gt;  </td></tr></td></tr></td></tr></td></tr></td></tr></td></tr></td></tr></td></tr></td></tr></td></tr></td></tr></td></tr></td></tr></td></tr></td></tr></td></tr>   | U-35 | " | " | V-675 | 122 | 1/2 | 2900 | 1\"/> <tr> <td>U-36</td> <td>"</td> <td>"</td> <td>V-675</td> <td>122</td> <td>1/2</td> <td>2900</td> <td>1\"/&gt;  <tr> <td>U-37</td> <td>"</td> <td>"</td> <td>V-675</td> <td>122</td> <td>1/2</td> <td>2900</td> <td>1\"/&gt;  <tr> <td>U-38</td> <td>"</td> <td>"</td> <td>V-675</td> <td>122</td> <td>1/2</td> <td>2900</td> <td>1\"/&gt;  <tr> <td>U-39</td> <td>"</td> <td>"</td> <td>V-675</td> <td>122</td> <td>1/2</td> <td>2900</td> <td>1\"/&gt;  <tr> <td>U-40</td> <td>"</td> <td>"</td> <td>V-675</td> <td>122</td> <td>1/2</td> <td>2900</td> <td>1\"/&gt;  <tr> <td>U-41</td> <td>"</td> <td>"</td> <td>V-675</td> <td>122</td> <td>1/2</td> <td>2900</td> <td>1\"/&gt;  <tr> <td>U-42</td> <td>"</td> <td>"</td> <td>V-675</td> <td>122</td> <td>1/2</td> <td>2900</td> <td>1\"/&gt;  <tr> <td>U-43</td> <td>"</td> <td>"</td> <td>V-675</td> <td>122</td> <td>1/2</td> <td>2900</td> <td>1\"/&gt;  <tr> <td>U-44</td> <td>"</td> <td>"</td> <td>V-675</td> <td>122</td> <td>1/2</td> <td>2900</td> <td>1\"/&gt;  <tr> <td>U-45</td> <td>"</td> <td>"</td> <td>V-675</td> <td>122</td> <td>1/2</td> <td>2900</td> <td>1\"/&gt;  <tr> <td>U-46</td> <td>"</td> <td>"</td> <td>V-675</td> <td>122</td> <td>1/2</td> <td>2900</td> <td>1\"/&gt;  <tr> <td>U-47</td> <td>"</td> <td>"</td> <td>V-675</td> <td>122</td> <td>1/2</td> <td>2900</td> <td>1\"/&gt;  <tr> <td>U-48</td> <td>"</td> <td>"</td> <td>V-675</td> <td>122</td> <td>1/2</td> <td>2900</td> <td>1\"/&gt;  <tr> <td>U-49</td> <td>"</td> <td>"</td> <td>V-675</td> <td>122</td> <td>1/2</td> <td>2900</td> <td>1\"/&gt;  <tr> <td>U-50</td> <td>"</td> <td>"</td> <td>V-675</td> <td>122</td> <td>1/2</td> <td>2900</td> <td>1\"/&gt;  </td></tr></td></tr></td></tr></td></tr></td></tr></td></tr></td></tr></td></tr></td></tr></td></tr></td></tr></td></tr></td></tr></td></tr></td></tr>   | U-36 | " | " | V-675 | 122 | 1/2 | 2900 | 1\"/> <tr> <td>U-37</td> <td>"</td> <td>"</td> <td>V-675</td> <td>122</td> <td>1/2</td> <td>2900</td> <td>1\"/&gt;  <tr> <td>U-38</td> <td>"</td> <td>"</td> <td>V-675</td> <td>122</td> <td>1/2</td> <td>2900</td> <td>1\"/&gt;  <tr> <td>U-39</td> <td>"</td> <td>"</td> <td>V-675</td> <td>122</td> <td>1/2</td> <td>2900</td> <td>1\"/&gt;  <tr> <td>U-40</td> <td>"</td> <td>"</td> <td>V-675</td> <td>122</td> <td>1/2</td> <td>2900</td> <td>1\"/&gt;  <tr> <td>U-41</td> <td>"</td> <td>"</td> <td>V-675</td> <td>122</td> <td>1/2</td> <td>2900</td> <td>1\"/&gt;  <tr> <td>U-42</td> <td>"</td> <td>"</td> <td>V-675</td> <td>122</td> <td>1/2</td> <td>2900</td> <td>1\"/&gt;  <tr> <td>U-43</td> <td>"</td> <td>"</td> <td>V-675</td> <td>122</td> <td>1/2</td> <td>2900</td> <td>1\"/&gt;  <tr> <td>U-44</td> <td>"</td> <td>"</td> <td>V-675</td> <td>122</td> <td>1/2</td> <td>2900</td> <td>1\"/&gt;  <tr> <td>U-45</td> <td>"</td> <td>"</td> <td>V-675</td> <td>122</td> <td>1/2</td> <td>2900</td> <td>1\"/&gt;  <tr> <td>U-46</td> <td>"</td> <td>"</td> <td>V-675</td> <td>122</td> <td>1/2</td> <td>2900</td> <td>1\"/&gt;  <tr> <td>U-47</td> <td>"</td> <td>"</td> <td>V-675</td> <td>122</td> <td>1/2</td> <td>2900</td> <td>1\"/&gt;  <tr> <td>U-48</td> <td>"</td> <td>"</td> <td>V-675</td> <td>122</td> <td>1/2</td> <td>2900</td> <td>1\"/&gt;  <tr> <td>U-49</td> <td>"</td> <td>"</td> <td>V-675</td> <td>122</td> <td>1/2</td> <td>2900</td> <td>1\"/&gt;  <tr> <td>U-50</td> <td>"</td> <td>"</td> <td>V-675</td> <td>122</td> <td>1/2</td> <td>2900</td> <td>1\"/&gt;  </td></tr></td></tr></td></tr></td></tr></td></tr></td></tr></td></tr></td></tr></td></tr></td></tr></td></tr></td></tr></td></tr></td></tr>   
   | U-37 | " | " | V-675 | 122 | 1/2 | 2900 | 1\"/> <tr> <td>U-38</td> <td>"</td> <td>"</td> <td>V-675</td> <td>122</td> <td>1/2</td> <td>2900</td> <td>1\"/&gt;  <tr> <td>U-39</td> <td>"</td> <td>"</td> <td>V-675</td> <td>122</td> <td>1/2</td> <td>2900</td> <td>1\"/&gt;  <tr> <td>U-40</td> <td>"</td> <td>"</td> <td>V-675</td> <td>122</td> <td>1/2</td> <td>2900</td> <td>1\"/&gt;  <tr> <td>U-41</td> <td>"</td> <td>"</td> <td>V-675</td> <td>122</td> <td>1/2</td> <td>2900</td> <td>1\"/&gt;  <tr> <td>U-42</td> <td>"</td> <td>"</td> <td>V-675</td> <td>122</td> <td>1/2</td> <td>2900</td> <td>1\"/&gt;  <tr> <td>U-43</td> <td>"</td> <td>"</td> <td>V-675</td> <td>122</td> <td>1/2</td> <td>2900</td> <td>1\"/&gt;  <tr> <td>U-44</td> <td>"</td> <td>"</td> <td>V-675</td> <td>122</td> <td>1/2</td> <td>2900</td> <td>1\"/&gt;  <tr> <td>U-45</td> <td>"</td> <td>"</td> <td>V-675</td> <td>122</td> <td>1/2</td> <td>2900</td> <td>1\"/&gt;  <tr> <td>U-46</td> <td>"</td> <td>"</td> <td>V-675</td> <td>122</td> <td>1/2</td> <td>2900</td> <td>1\"/&gt;  <tr> <td>U-47</td> <td>"</td> <td>"</td> <td>V-675</td> <td>122</td> <td>1/2</td> <td>2900</td> <td>1\"/&gt;  <tr> <td>U-48</td> <td>"</td> <td>"</td> <td>V-675</td> <td>122</td> <td>1/2</td> <td>2900</td> <td>1\"/&gt;  <tr> <td>U-49</td> <td>"</td> <td>"</td> <td>V-675</td> <td>122</td> <td>1/2</td> <td>2900</td> <td>1\"/&gt;  <tr> <td>U-50</td> <td>"</td> <td>"</td> <td>V-675</td> <td>122</td> <td>1/2</td> <td>2900</td> <td>1\"/&gt;  </td></tr></td></tr></td></tr></td></tr></td></tr></td></tr></td></tr></td></tr></td></tr></td></tr></td></tr></td></tr></td></tr>   | U-38 | " | " | V-675 | 122 | 1/2 | 2900 | 1\"/> <tr> <td>U-39</td> <td>"</td> <td>"</td> <td>V-675</td> <td>122</td> <td>1/2</td> <td>2900</td> <td>1\"/&gt;  <tr> <td>U-40</td> <td>"</td> <td>"</td> <td>V-675</td> <td>122</td> <td>1/2</td> <td>2900</td> <td>1\"/&gt;  <tr> <td>U-41</td> <td>"</td> <td>"</td> <td>V-675</td> <td>122</td> <td>1/2</td> <td>2900</td> <td>1\"/&gt;  <tr> <td>U-42</td> <td>"</td> <td>"</td> <td>V-675</td> <td>122</td> <td>1/2</td> <td>2900</td> <td>1\"/&gt;  <tr> <td>U-43</td> <td>"</td> <td>"</td> <td>V-675</td> <td>122</td> <td>1/2</td> <td>2900</td> <td>1\"/&gt;  <tr> <td>U-44</td> <td>"</td> <td>"</td> <td>V-675</td> <td>122</td> <td>1/2</td> <td>2900</td> <td>1\"/&gt;  <tr> <td>U-45</td> <td>"</td> <td>"</td> <td>V-675</td> <td>122</td> <td>1/2</td> <td>2900</td> <td>1\"/&gt;  <tr> <td>U-46</td> <td>"</td> <td>"</td> <td>V-675</td> <td>122</td> <td>1/2</td> <td>2900</td> <td>1\"/&gt;  <tr> <td>U-47</td> <td>"</td> <td>"</td> <td>V-675</td> <td>122</td> <td>1/2</td> <td>2900</td> <td>1\"/&gt;  <tr> <td>U-48</td> <td>"</td> <td>"</td> <td>V-675</td> <td>122</td> <td>1/2</td> <td>2900</td> <td>1\"/&gt;  <tr> <td>U-49</td> <td>"</td> <td>"</td> <td>V-675</td> <td>122</td> <td>1/2</td> <td>2900</td> <td>1\"/&gt;  <tr> <td>U-50</td> <td>"</td> <td>"</td> <td>V-675</td> <td>122</td> <td>1/2</td> <td>2900</td> <td>1\"/&gt;  </td></tr></td></tr></td></tr></td></tr></td></tr></td></tr></td></tr></td></tr></td></tr></td></tr></td></tr></td></tr>   | U-39 | " | " | V-675 | 122 | 1/2 | 2900 | 1\"/> <tr> <td>U-40</td> <td>"</td> <td>"</td> <td>V-675</td> <td>122</td> <td>1/2</td> <td>2900</td> <td>1\"/&gt;  <tr> <td>U-41</td> <td>"</td> <td>"</td> <td>V-675</td> <td>122</td> <td>1/2</td> <td>2900</td> <td>1\"/&gt;  <tr> <td>U-42</td> <td>"</td> <td>"</td> <td>V-675</td> <td>122</td> <td>1/2</td> <td>2900</td> <td>1\"/&gt;  <tr> <td>U-43</td> <td>"</td> <td>"</td> <td>V-675</td> <td>122</td> <td>1/2</td> <td>2900</td> <td>1\"/&gt;  <tr> <td>U-44</td> <td>"</td> <td>"</td> <td>V-675</td> <td>122</td> <td>1/2</td> <td>2900</td> <td>1\"/&gt;  <tr> <td>U-45</td> <td>"</td> <td>"</td> <td>V-675</td> <td>122</td> <td>1/2</td> <td>2900</td> <td>1\"/&gt;  <tr> <td>U-46</td> <td>"</td> <td>"</td> <td>V-675</td> <td>122</td> <td>1/2</td> <td>2900</td> <td>1\"/&gt;  <tr> <td>U-47</td> <td>"</td> <td>"</td> <td>V-675</td> <td>122</td> <td>1/2</td> <td>2900</td> <td>1\"/&gt;  <tr> <td>U-48</td> <td>"</td> <td>"</td> <td>V-675</td> <td>122</td> <td>1/2</td> <td>2900</td> <td>1\"/&gt;  <tr> <td>U-49</td> <td>"</td> <td>"</td> <td>V-675</td> <td>122</td> <td>1/2</td> <td>2900</td> <td>1\"/&gt;  <tr> <td>U-50</td> <td>"</td> <td>"</td> <td>V-675</td> <td>122</td> <td>1/2</td> <td>2900</td> <td>1\"/&gt;  </td></tr></td></tr></td></tr></td></tr></td></tr></td></tr></td></tr></td></tr></td></tr></td></tr></td></tr>  
  | U-40 | " | " | V-675 | 122 | 1/2 | 2900 | 1\"/> <tr> <td>U-41</td> <td>"</td> <td>"</td> <td>V-675</td> <td>122</td> <td>1/2</td> <td>2900</td> <td>1\"/&gt;  <tr> <td>U-42</td> <td>"</td> <td>"</td> <td>V-675</td> <td>122</td> <td>1/2</td> <td>2900</td> <td>1\"/&gt;  <tr> <td>U-43</td> <td>"</td> <td>"</td> <td>V-675</td> <td>122</td> <td>1/2</td> <td>2900</td> <td>1\"/&gt;  <tr> <td>U-44</td> <td>"</td> <td>"</td> <td>V-675</td> <td>122</td> <td>1/2</td> <td>2900</td> <td>1\"/&gt;  <tr> <td>U-45</td> <td>"</td> <td>"</td> <td>V-675</td> <td>122</td> <td>1/2</td> <td>2900</td> <td>1\"/&gt;  <tr> <td>U-46</td> <td>"</td> <td>"</td> <td>V-675</td> <td>122</td> <td>1/2</td> <td>2900</td> <td>1\"/&gt;  <tr> <td>U-47</td> <td>"</td> <td>"</td> <td>V-675</td> <td>122</td> <td>1/2</td> <td>2900</td> <td>1\"/&gt;  <tr> <td>U-48</td> <td>"</td> <td>"</td> <td>V-675</td> <td>122</td> <td>1/2</td> <td>2900</td> <td>1\"/&gt;  <tr> <td>U-49</td> <td>"</td> <td>"</td> <td>V-675</td> <td>122</td> <td>1/2</td> <td>2900</td> <td>1\"/&gt;  <tr> <td>U-50</td> <td>"</td> <td>"</td> <td>V-675</td> <td>122</td> <td>1/2</td> <td>2900</td> <td>1\"/&gt;  </td></tr></td></tr></td></tr></td></tr></td></tr></td></tr></td></tr></td></tr></td></tr></td></tr>   | U-41 | " | " | V-675 | 122 | 1/2 | 2900 | 1\"/> <tr> <td>U-42</td> <td>"</td> <td>"</td> <td>V-675</td> <td>122</td> <td>1/2</td> <td>2900</td> <td>1\"/&gt;  <tr> <td>U-43</td> <td>"</td> <td>"</td> <td>V-675</td> <td>122</td> <td>1/2</td> <td>2900</td> <td>1\"/&gt;  <tr> <td>U-44</td> <td>"</td> <td>"</td> <td>V-675</td> <td>122</td> <td>1/2</td> <td>2900</td> <td>1\"/&gt;  <tr> <td>U-45</td> <td>"</td> <td>"</td> <td>V-675</td> <td>122</td> <td>1/2</td> <td>2900</td> <td>1\"/&gt;  <tr> <td>U-46</td> <td>"</td> <td>"</td> <td>V-675</td> <td>122</td> <td>1/2</td> <td>2900</td> <td>1\"/&gt;  <tr> <td>U-47</td> <td>"</td> <td>"</td> <td>V-675</td> <td>122</td> <td>1/2</td> <td>2900</td> <td>1\"/&gt;  <tr> <td>U-48</td> <td>"</td> <td>"</td> <td>V-675</td> <td>122</td> <td>1/2</td> <td>2900</td> <td>1\"/&gt;  <tr> <td>U-49</td> <td>"</td> <td>"</td> <td>V-675</td> <td>122</td> <td>1/2</td> <td>2900</td> <td>1\"/&gt;  <tr> <td>U-50</td> <td>"</td> <td>"</td> <td>V-675</td> <td>122</td> <td>1/2</td> <td>2900</td> <td>1\"/&gt;  </td></tr></td></tr></td></tr></td></tr></td></tr></td></tr></td></tr></td></tr></td></tr>   | U-42 | " | " | V-675 | 122 | 1/2 | 2900 | 1\"/> <tr> <td>U-43</td> <td>"</td> <td>"</td> <td>V-675</td> <td>122</td> <td>1/2</td> <td>2900</td> <td>1\"/&gt;  <tr> <td>U-44</td> <td>"</td> <td>"</td> <td>V-675</td> <td>122</td> <td>1/2</td> <td>2900</td> <td>1\"/&gt;  <tr> <td>U-45</td> <td>"</td> <td>"</td> <td>V-675</td> <td>122</td> <td>1/2</td> <td>2900</td> <td>1\"/&gt;  <tr> <td>U-46</td> <td>"</td> <td>"</td> <td>V-675</td> <td>122</td> <td>1/2</td> <td>2900</td> <td>1\"/&gt;  <tr> <td>U-47</td> <td>"</td> <td>"</td> <td>V-675</td> <td>122</td> <td>1/2</td> <td>2900</td> <td>1\"/&gt;  <tr> <td>U-48</td> <td>"</td> <td>"</td> <td>V-675</td> <td>122</td> <td>1/2</td> <td>2900</td> <td>1\"/&gt;  <tr> <td>U-49</td> <td>"</td> <td>"</td> <td>V-675</td> <td>122</td> <td>1/2</td> <td>2900</td> <td>1\"/&gt;  <tr> <td>U-50</td> <td>"</td> <td>"</td> <td>V-675</td> <td>122</td> <td>1/2</td> <td>2900</td> <td>1\"/&gt;  </td></tr></td></tr></td></tr></td></tr></td></tr></td></tr></td></tr></td></tr>   
                 | U-43 | " | " | V-675 | 122 | 1/2 | 2900 | 1\"/> <tr> <td>U-44</td> <td>"</td> <td>"</td> <td>V-675</td> <td>122</td> <td>1/2</td> <td>2900</td> <td>1\"/&gt;  <tr> <td>U-45</td> <td>"</td> <td>"</td> <td>V-675</td> <td>122</td> <td>1/2</td> <td>2900</td> <td>1\"/&gt;  <tr> <td>U-46</td> <td>"</td> <td>"</td> <td>V-675</td> <td>122</td> <td>1/2</td> <td>2900</td> <td>1\"/&gt;  <tr> <td>U-47</td> <td>"</td> <td>"</td> <td>V-675</td> <td>122</td> <td>1/2</td> <td>2900</td> <td>1\"/&gt;  <tr> <td>U-48</td> <td>"</td> <td>"</td> <td>V-675</td> <td>122</td> <td>1/2</td> <td>2900</td> <td>1\"/&gt;  <tr> <td>U-49</td> <td>"</td> <td>"</td> <td>V-675</td> <td>122</td> <td>1/2</td> <td>2900</td> <td>1\"/&gt;  <tr> <td>U-50</td> <td>"</td> <td>"</td> <td>V-675</td> <td>122</td> <td>1/2</td> <td>2900</td> <td>1\"/&gt;  </td></tr></td></tr></td></tr></td></tr></td></tr></td></tr></td></tr>   | U-44 | " | " | V-675 | 122 | 1/2 | 2900 | 1\"/> <tr> <td>U-45</td> <td>"</td> <td>"</td> <td>V-675</td> <td>122</td> <td>1/2</td> <td>2900</td> <td>1\"/&gt;  <tr> <td>U-46</td> <td>"</td> <td>"</td> <td>V-675</td> <td>122</td> <td>1/2</td> <td>2900</td> <td>1\"/&gt;  <tr> <td>U-47</td> <td>"</td> <td>"</td> <td>V-675</td> <td>122</td> <td>1/2</td> <td>2900</td> <td>1\"/&gt;  <tr> <td>U-48</td> <td>"</td> <td>"</td> <td>V-675</td> <td>122</td> <td>1/2</td> <td>2900</td> <td>1\"/&gt;  <tr> <td>U-49</td> <td>"</td> <td>"</td> <td>V-675</td> <td>122</td> <td>1/2</td> <td>2900</td> <td>1\"/&gt;  <tr> <td>U-50</td> <td>"</td> <td>"</td> <td>V-675</td> <td>122</td> <td>1/2</td> <td>2900</td> <td>1\"/&gt;  </td></tr></td></tr></td></tr></td></tr></td></tr></td></tr>   | U-45 | " | " | V-675 | 122 | 1/2 | 2900 | 1\"/> <tr> <td>U-46</td> <td>"</td> <td>"</td> <td>V-675</td> <td>122</td> <td>1/2</td> <td>2900</td> <td>1\"/&gt;  <tr> <td>U-47</td> <td>"</td> <td>"</td> <td>V-675</td> <td>122</td> <td>1/2</td> <td>2900</td> <td>1\"/&gt;  <tr> <td>U-48</td> <td>"</td> <td>"</td> <td>V-675</td> <td>122</td> <td>1/2</td> <td>2900</td> <td>1\"/&gt;  <tr> <td>U-49</td> <td>"</td> <td>"</td> <td>V-675</td> <td>122</td> <td>1/2</td> <td>2900</td> <td>1\"/&gt;  <tr> <td>U-50</td> <td>"</td> <td>"</td> <td>V-675</td> <td>122</td> <td>1/2</td> <td>2900</td> <td>1\"/&gt;  </td></tr></td></tr></td></tr></td></tr></td></tr>   | U-46 | " | " | V-675 | 122 | 1/2 | 2900 | 1\"/> <tr> <td>U-47</td> <td>"</td> <td>"</td> <td>V-675</td> <td>122</td> <td>1/2</td> <td>2900</td> <td>1\"/&gt;  <tr> <td>U-48</td> <td>"</td> <td>"</td> <td>V-675</td> <td>122</td> <td>1/2</td> <td>2900</td> <td>1\"/&gt;  <tr> <td>U-49</td> <td>"</td> <td>"</td> <td>V-675</td> <td>122</td> <td>1/2</td> <td>2900</td> <td>1\"/&gt;  <tr> <td>U-50</td> <td>"</td> <td>"</td> <td>V-675</td> <td>122</td> <td>1/2</td> <td>2900</td> <td>1\"/&gt;  </td></tr></td></tr></td></tr></td></tr>   
   | U-47 | " | " | V-675 | 122 | 1/2 | 2900 | 1\"/> <tr> <td>U-48</td> <td>"</td> <td>"</td> <td>V-675</td> <td>122</td> <td>1/2</td> <td>2900</td> <td>1\"/&gt;  <tr> <td>U-49</td> <td>"</td> <td>"</td> <td>V-675</td> <td>122</td> <td>1/2</td> <td>2900</td> <td>1\"/&gt;  <tr> <td>U-50</td> <td>"</td> <td>"</td> <td>V-675</td> <td>122</td> <td>1/2</td> <td>2900</td> <td>1\"/&gt;  </td></tr></td></tr></td></tr>   | U-48 | " | " | V-675 | 122 | 1/2 | 2900 | 1\"/> <tr> <td>U-49</td> <td>"</td> <td>"</td> <td>V-675</td> <td>122</td> <td>1/2</td> <td>2900</td> <td>1\"/&gt;  <tr> <td>U-50</td> <td>"</td> <td>"</td> <td>V-675</td> <td>122</td> <td>1/2</td> <td>2900</td> <td>1\"/&gt;  </td></tr></td></tr>   | U-49 | " | " | V-675 | 122 | 1/2 | 2900 | 1\"/> <tr> <td>U-50</td> <td>"</td> <td>"</td> <td>V-675</td> <td>122</td> <td>1/2</td> <td>2900</td> <td>1\"/&gt;  </td></tr>   | U-50 | " | " | V-675 | 122 | 1/2 | 2900 | 1\"/>  |      |   |   |       |     |     |      | | | | | | | | | | | | | | | | | | | | | | | | | |
  |      |   |   |       |     |     |      |  |      |   |   |       |     |     |      |  |      |   |   |       |     |     |      |  |      |   |   |       |     |     |      |  |      |   |   |       |     |     |      |  |      |   |   |       |     |     |      |  |      |   |   |       |     |     |      |  
   |      |   |   |       |     |     |      |  |      |   |   |       |     |     |      |  |      |   |   |       |     |     |      |  |      |   |   |       |     |     |      |  |      |   |   |       |     |     |      |  |      |   |   |       |     |     |      |  |      |   |   |       |     |     |      |  |      |   |   |       |     |     |      |       |
| U-12 | "             | "                       | V-675    | 122  | 1/2           | 2900    | 1\"/> <tr> <td>U-13</td> <td>"</td> <td>"</td> <td>V-675</td> <td>122</td> <td>1/2</td> <td>2900</td> <td>1\"/&gt;  <tr> <td>U-14</td> <td>"</td> <td>"</td> <td>V-675</td> <td>122</td> <td>1/2</td> <td>2900</td> <td>1\"/&gt;  <tr> <td>U-15</td> <td>"</td> <td>"</td> <td>V-675</td> <td>122</td> <td>1/2</td> <td>2900</td> <td>1\"/&gt;  <tr> <td>U-16</td> <td>"</td> <td>"</td> <td>V-675</td> <td>122</td> <td>1/2</td> <td>2900</td> <td>1\"/&gt;  <tr> <td>U-17</td> <td>"</td> <td>"</td> <td>V-675</td> <td>122</td> <td>1/2</td> <td>2900</td> <td>1\"/&gt;  <tr> <td>U-18</td> <td>"</td> <td>"</td> <td>V-675</td> <td>122</td> <td>1/2</td> <td>2900</td> <td>1\"/&gt;  <tr> <td>U-19</td> <td>"</td> <td>"</td> <td>V-675</td> <td>122</td> <td>1/2</td> <td>2900</td> <td>1\"/&gt;  <tr> <td>U-20</td> <td>"</td> <td>"</td> <td>V-675</td> <td>122</td> <td>1/2</td> <td>2900</td> <td>1\"/&gt;  <tr> <td>U-21</td> <td>"</td> <td>"</td> <td>V-675</td> <td>122</td> <td>1/2</td> <td>2900</td> <td>1\"/&gt;  <tr> <td>U-22</td> <td>"</td> <td>"</td> <td>V-675</td> <td>122</td> <td>1/2</td> <td>2900</td> <td>1\"/&gt;  <tr> <td>U-23</td> <td>"</td> <td>"</td> <td>V-675</td> <td>122</td> <td>1/2</td> <td>2900</td> <td>1\"/&gt;  <tr> <td>U-24</td> <td>"</td> <td>"</td> <td>V-675</td> <td>122</td> <td>1/2</td> <td>2900</td> <td>1\"/&gt;  <tr> <td>U-25</td> <td>"</td> <td>"</td> <td>V-675</td> <td>122</td> <td>1/2</td> <td>2900</td> <td>1\"/&gt;  <tr> <td>U-26</td> <td>"</td> <td>"</td> <td>V-675</td> <td>122</td> <td>1/2</td> <td>2900</td> <td>1\"/&gt;  <tr> <td>U-27</td> <td>"</td> <td>"</td> <td>V-675</td> <td>122</td> <td>1/2</td> <td>2900</td> <td>1\"/&gt;  <tr> <td>U-28</td> <td>"</td> <td>"</td> <td>V-675</td> <td>122</td> <td>1/2</td> <td>2900</td> <td>1\"/&gt;  <tr> <td>U-29</td> <td>"</td> <td>"</td> <td>V-675</td> <td>122</td> <td>1/2</td> <td>2900</td> <td>1\"/&gt;  <tr> <td>U-30</td> <td>"</td> <td>"</td> <td>V-675</td> <td>122</td> <td>1/2</td> <td>2900</td> <td>1\"/&gt;  <tr> <td>U-31</td> <td>"</td> <td>"</td> <td>V-675</td> <td>122</td> <td>1/2</td> <td>2900</td> <td>1\"/&gt;  <tr> <td>U-32</td> <td>"</td> <td>"</td> <td>V-675</td> <td>122</td> <td>1/2</td> <td>2900</td> <td>1\"/&gt;  <tr> <td>U-33</td> <td>"</td> <td>"</td> <td>V-675</td> <td>122</td> <td>1/2</td> <td>2900</td> <td>1\"/&gt;  <tr> <td>U-34</td> <td>"</td> <td>"</td> <td>V-675</td> <td>122</td> <td>1/2</td> <td>2900</td> <td>1\"/&gt;  <tr> <td>U-35</td> <td>"</td> <td>"</td> <td>V-675</td> <td>122</td> <td>1/2</td> <td>2900</td> <td>1\"/&gt;  <tr> <td>U-36</td> <td>"</td> <td>"</td> <td>V-675</td> <td>122</td> <td>1/2</td> <td>2900</td> <td>1\"/&gt;  <tr> <td>U-37</td> <td>"</td> <td>"</td> <td>V-675</td> <td>122</td> <td>1/2</td> <td>2900</td> <td>1\"/&gt;  <tr> <td>U-38</td> <td>"</td> <td>"</td> <td>V-675</td> <td>122</td> <td>1/2</td> <td>2900</td> <td>1\"/&gt;  <tr> <td>U-39</td> <td>"</td> <td>"</td> <td>V-675</td> <td>122</td> <td>1/2</td> <td>2900</td> <td>1\"/&gt;  <tr> <td>U-40</td> <td>"</td> <td>"</td> <td>V-675</td> <td>122</td> <td>1/2</td> <td>2900</td> <td>1\"/&gt;  <tr> <td>U-41</td> <td>"</td> <td>"</td> <td>V-675</td> <td>122</td> <td>1/2</td> <td>2900</td> <td>1\"/&gt;  <tr> <td>U-42</td> <td>"</td> <td>"</td> <td>V-675</td> <td>122</td> <td>1/2</td> <td>2900</td> <td>1\"/&gt;  <tr> <td>U-43</td> <td>"</td> <td>"</td> <td>V-675</td> <td>122</td> <td>1/2</td> <td>2900</td> <td>1\"/&gt;  <tr> <td>U-44</td> <td>"</td> <td>"</td> <td>V-675</td> <td>122</td> <td>1/2</td> <td>2900</td> <td>1\"/&gt;  <tr> <td>U-45</td> <td>"</td> <td>"</td> <td>V-675</td> <td>122</td> <td>1/2</td> <td>2900</td> <td>1\"/&gt;  <tr> <td>U-46</td> <td>"</td> <td>"</td> <td>V-675</td> <td>122</td> <td>1/2</td> <td>2900</td> <td>1\"/&gt;  <tr> <td>U-47</td> <td>"</td> <td>"</td> <td>V-675</td> <td>122</td> <td>1/2</td> <td>2900</td> <td>1\"/&gt;  <tr> <td>U-48</td> <td>"</td> <td>"</td> <td>V-675</td> <td>122</td> <td>1/2</td> <td>2900</td> <td>1\"/&gt;  <tr> <td>U-49</td> <td>"</td> <td>"</td> <td>V-675</td> <td>122</td> <td>1/2</td> <td>2900</td> <td>1\"/&gt;  <tr> <td>U-50</td> <td>"</td> <td>"</td> <td>V-675</td> <td>122</td> <td>1/2</td> <td>2900</td> <td>1\"/&gt;  </td></tr></td></tr></td></tr></td></tr></td></tr></td></tr></td></tr></td></tr></td></tr></td></tr></td></tr></td></tr></td></tr></td></tr></td></tr></td></tr></td></tr></td></tr></td></tr></td></tr></td></tr></td></tr></td></tr></td></tr></td></tr></td></tr></td></tr></td></tr></td></tr></td></tr></td></tr></td></tr></td></tr></td></tr></td></tr></td></tr></td></tr></td></tr>  | U-13 | " | " | V-675  | 122  | 1/2 | 2900   | 1\"/> <tr> <td>U-14</td> <td>"</td> <td>"</td> <td>V-675</td> <td>122</td> <td>1/2</td> <td>2900</td> <td>1\"/&gt;  <tr> <td>U-15</td> <td>"</td> <td>"</td> <td>V-675</td> <td>122</td> <td>1/2</td> <td>2900</td> <td>1\"/&gt;  <tr> <td>U-16</td> <td>"</td> <td>"</td> <td>V-675</td> <td>122</td> <td>1/2</td> <td>2900</td> <td>1\"/&gt;  <tr> <td>U-17</td> <td>"</td> <td>"</td> <td>V-675</td> <td>122</td> <td>1/2</td> <td>2900</td> <td>1\"/&gt;  <tr> <td>U-18</td> <td>"</td> <td>"</td> <td>V-675</td> <td>122</td> <td>1/2</td> <td>2900</td> <td>1\"/&gt;  <tr> <td>U-19</td> <td>"</td> <td>"</td> <td>V-675</td> <td>122</td> <td>1/2</td> <td>2900</td> <td>1\"/&gt;  <tr> <td>U-20</td> <td>"</td> <td>"</td> <td>V-675</td> <td>122</td> <td>1/2</td> <td>2900</td> <td>1\"/&gt;  <tr> <td>U-21</td> <td>"</td> <td>"</td> <td>V-675</td> <td>122</td> <td>1/2</td> <td>2900</td> <td>1\"/&gt;  <tr> <td>U-22</td> <td>"</td> <td>"</td> <td>V-675</td> <td>122</td> <td>1/2</td> <td>2900</td> <td>1\"/&gt;  <tr> <td>U-23</td> <td>"</td> <td>"</td> <td>V-675</td> <td>122</td> <td>1/2</td> <td>2900</td> <td>1\"/&gt;  <tr> <td>U-24</td> <td>"</td> <td>"</td> <td>V-675</td> <td>122</td> <td>1/2</td> <td>2900</td> <td>1\"/&gt;  <tr> <td>U-25</td> <td>"</td> <td>"</td> <td>V-675</td> <td>122</td> <td>1/2</td> <td>2900</td> <td>1\"/&gt;  <tr> <td>U-26</td> <td>"</td> <td>"</td> <td>V-675</td> <td>122</td> <td>1/2</td> <td>2900</td> <td>1\"/&gt;  <tr> <td>U-27</td> <td>"</td> <td>"</td> <td>V-675</td> <td>122</td> <td>1/2</td> <td>2900</td> <td>1\"/&gt;  <tr> <td>U-28</td> <td>"</td> <td>"</td> <td>V-675</td> <td>122</td> <td>1/2</td> <td>2900</td> <td>1\"/&gt;  <tr> <td>U-29</td> <td>"</td> <td>"</td> <td>V-675</td> <td>122</td> <td>1/2</td> <td>2900</td> <td>1\"/&gt;  <tr> <td>U-30</td> <td>"</td> <td>"</td> <td>V-675</td> <td>122</td> <td>1/2</td> <td>2900</td> <td>1\"/&gt;  <tr> <td>U-31</td> <td>"</td> <td>"</td> <td>V-675</td> <td>122</td> <td>1/2</td> <td>2900</td> <td>1\"/&gt;  <tr> <td>U-32</td> <td>"</td> <td>"</td> <td>V-675</td> <td>122</td> <td>1/2</td> <td>2900</td> <td>1\"/&gt;  <tr> <td>U-33</td> <td>"</td> <td>"</td> <td>V-675</td> <td>122</td> <td>1/2</td> <td>2900</td> <td>1\"/&gt;  <tr> <td>U-34</td> <td>"</td> <td>"</td> <td>V-675</td> <td>122</td> <td>1/2</td> <td>2900</td> <td>1\"/&gt;  <tr> <td>U-35</td> <td>"</td> <td>"</td> <td>V-675</td> <td>122</td> <td>1/2</td> <td>2900</td> <td>1\"/&gt;  <tr> <td>U-36</td> <td>"</td> <td>"</td> <td>V-675</td> <td>122</td> <td>1/2</td> <td>2900</td> <td>1\"/&gt;  <tr> <td>U-37</td> <td>"</td> <td>"</td> <td>V-675</td> <td>122</td> <td>1/2</td> <td>2900</td> <td>1\"/&gt;  <tr> <td>U-38</td> <td>"</td> <td>"</td> <td>V-675</td> <td>122</td> <td>1/2</td> <td>2900</td> <td>1\"/&gt;  <tr> <td>U-39</td> <td>"</td> <td>"</td> <td>V-675</td> <td>122</td> <td>1/2</td> <td>2900</td> <td>1\"/&gt;  <tr> <td>U-40</td> <td>"</td> <td>"</td> <td>V-675</td> <td>122</td> <td>1/2</td> <td>2900</td> <td>1\"/&gt;  <tr> <td>U-41</td> <td>"</td> <td>"</td> <td>V-675</td> <td>122</td> <td>1/2</td> <td>2900</td> <td>1\"/&gt;  <tr> <td>U-42</td> <td>"</td> <td>"</td> <td>V-675</td> <td>122</td> <td>1/2</td> <td>2900</td> <td>1\"/&gt;  <tr> <td>U-43</td> <td>"</td> <td>"</td> <td>V-675</td> <td>122</td> <td>1/2</td> <td>2900</td> <td>1\"/&gt; 
<tr> <td>U-44</td> <td>"</td> <td>"</td> <td>V-675</td> <td>122</td> <td>1/2</td> <td>2900</td> <td>1\"/&gt;  <tr> <td>U-45</td> <td>"</td> <td>"</td> <td>V-675</td> <td>122</td> <td>1/2</td> <td>2900</td> <td>1\"/&gt;  <tr> <td>U-46</td> <td>"</td> <td>"</td> <td>V-675</td> <td>122</td> <td>1/2</td> <td>2900</td> <td>1\"/&gt;  <tr> <td>U-47</td> <td>"</td> <td>"</td> <td>V-675</td> <td>122</td> <td>1/2</td> <td>2900</td> <td>1\"/&gt;  <tr> <td>U-48</td> <td>"</td> <td>"</td> <td>V-675</td> <td>122</td> <td>1/2</td> <td>2900</td> <td>1\"/&gt;  <tr> <td>U-49</td> <td>"</td> <td>"</td> <td>V-675</td> <td>122</td> <td>1/2</td> <td>2900</td> <td>1\"/&gt;  <tr> <td>U-50</td> <td>"</td> <td>"</td> <td>V-675</td> <td>122</td> <td>1/2</td> <td>2900</td> <td>1\"/&gt;  </td></tr></td></tr></td></tr></td></tr></td></tr></td></tr></td></tr></td></tr></td></tr></td></tr></td></tr></td></tr></td></tr></td></tr></td></tr></td></tr></td></tr></td></tr></td></tr></td></tr></td></tr></td></tr></td></tr></td></tr></td></tr></td></tr></td></tr></td></tr></td></tr></td></tr></td></tr></td></tr></td></tr></td></tr></td></tr></td></tr></td></tr>   | U-14 | " | " | V-675  | 122 | 1/2 | 2900   | 1\"/> <tr> <td>U-15</td> <td>"</td> <td>"</td> <td>V-675</td> <td>122</td> <td>1/2</td> <td>2900</td> <td>1\"/&gt;  <tr> <td>U-16</td> <td>"</td> <td>"</td> <td>V-675</td> <td>122</td> <td>1/2</td> <td>2900</td> <td>1\"/&gt;  <tr> <td>U-17</td> <td>"</td> <td>"</td> <td>V-675</td> <td>122</td> <td>1/2</td> <td>2900</td> <td>1\"/&gt;  <tr> <td>U-18</td> <td>"</td> <td>"</td> <td>V-675</td> <td>122</td> <td>1/2</td> <td>2900</td> <td>1\"/&gt;  <tr> <td>U-19</td> <td>"</td> <td>"</td> <td>V-675</td> <td>122</td> <td>1/2</td> <td>2900</td> <td>1\"/&gt;  <tr> <td>U-20</td> <td>"</td> <td>"</td> <td>V-675</td> <td>122</td> <td>1/2</td> <td>2900</td> <td>1\"/&gt;  <tr> <td>U-21</td> <td>"</td> <td>"</td> <td>V-675</td> <td>122</td> <td>1/2</td> <td>2900</td> <td>1\"/&gt;  <tr> <td>U-22</td> <td>"</td> <td>"</td> <td>V-675</td> <td>122</td> <td>1/2</td> <td>2900</td> <td>1\"/&gt;  <tr> <td>U-23</td> <td>"</td> <td>"</td> <td>V-675</td> <td>122</td> <td>1/2</td> <td>2900</td> <td>1\"/&gt;  <tr> <td>U-24</td> <td>"</td> <td>"</td> <td>V-675</td> <td>122</td> <td>1/2</td> <td>2900</td> <td>1\"/&gt;  <tr> <td>U-25</td> <td>"</td> <td>"</td> <td>V-675</td> <td>122</td> <td>1/2</td> <td>2900</td> <td>1\"/&gt;  <tr> <td>U-26</td> <td>"</td> <td>"</td> <td>V-675</td> <td>122</td> <td>1/2</td> <td>2900</td> <td>1\"/&gt;  <tr> <td>U-27</td> <td>"</td> <td>"</td> <td>V-675</td> <td>122</td> <td>1/2</td> <td>2900</td> <td>1\"/&gt;  <tr> <td>U-28</td> <td>"</td> <td>"</td> <td>V-675</td> <td>122</td> <td>1/2</td> <td>2900</td> <td>1\"/&gt;  <tr> <td>U-29</td> <td>"</td> <td>"</td> <td>V-675</td> <td>122</td> <td>1/2</td> <td>2900</td> <td>1\"/&gt;  <tr> <td>U-30</td> <td>"</td> <td>"</td> <td>V-675</td> <td>122</td> <td>1/2</td> <td>2900</td> <td>1\"/&gt;  <tr> <td>U-31</td> <td>"</td> <td>"</td> <td>V-675</td> <td>122</td> <td>1/2</td> <td>2900</td> <td>1\"/&gt;  <tr> <td>U-32</td> <td>"</td> <td>"</td> <td>V-675</td> <td>122</td> <td>1/2</td> <td>2900</td> <td>1\"/&gt;  <tr> <td>U-33</td> <td>"</td> <td>"</td> <td>V-675</td> <td>122</td> <td>1/2</td> <td>2900</td> <td>1\"/&gt;  <tr> <td>U-34</td> <td>"</td> <td>"</td> <td>V-675</td> <td>122</td> <td>1/2</td> <td>2900</td> <td>1\"/&gt;  <tr> <td>U-35</td> <td>"</td> <td>"</td> <td>V-675</td> <td>122</td> <td>1/2</td> <td>2900</td> <td>1\"/&gt;  <tr> <td>U-36</td> <td>"</td> <td>"</td> <td>V-675</td> <td>122</td> <td>1/2</td> <td>2900</td> <td>1\"/&gt;  <tr> <td>U-37</td> <td>"</td> <td>"</td> <td>V-675</td> <td>122</td> <td>1/2</td> <td>2900</td> <td>1\"/&gt;  <tr> <td>U-38</td> <td>"</td> <td>"</td> <td>V-675</td> <td>122</td> <td>1/2</td> <td>2900</td> <td>1\"/&gt;  <tr> <td>U-39</td> <td>"</td> <td>"</td> <td>V-675</td> <td>122</td> <td>1/2</td> <td>2900</td> <td>1\"/&gt;  <tr> <td>U-40</td> <td>"</td> <td>"</td> <td>V-675</td> <td>122</td> <td>1/2</td> <td>2900</td> <td>1\"/&gt;  <tr> <td>U-41</td> <td>"</td> <td>"</td> <td>V-675</td> <td>122</td> <td>1/2</td> <td>2900</td> <td>1\"/&gt;  <tr> <td>U-42</td> <td>"</td> <td>"</td> <td>V-675</td> <td>122</td> <td>1/2</td> <td>2900</td> <td>1\"/&gt;  <tr> <td>U-43</td> <td>"</td> <td>"</td> <td>V-675</td> <td>122</td> <td>1/2</td> <td>2900</td> <td>1\"/&gt;  <tr> <td>U-44</td> <td>"</td> <td>"</td> <td>V-675</td> <td>122</td> <td>1/2</td> <td>2900</td> <td>1\"/&gt;  <tr> <td>U-45</td> <td>"</td> <td>"</td> <td>V-675</td> <td>122</td> <td>1/2</td> <td>2900</td> <td>1\"/&gt;  <tr> <td>U-46</td> <td>"</td> <td>"</td> <td>V-675</td> <td>122</td> <td>1/2</td> <td>2900</td> <td>1\"/&gt;  <tr> <td>U-47</td> <td>"</td> <td>"</td> <td>V-675</td> <td>122</td> <td>1/2</td> <td>2900</td> <td>1\"/&gt;  <tr> <td>U-48</td> <td>"</td> <td>"</td> <td>V-675</td> <td>122</td> <td>1/2</td> <td>2900</td> <td>1\"/&gt;  <tr> <td>U-49</td> <td>"</td> <td>"</td> <td>V-675</td> <td>122</td> <td>1/2</td> <td>2900</td> <td>1\"/&gt;  <tr> <td>U-50</td> <td>"</td> <td>"</td> <td>V-675</td> <td>122</td> <td>1/2</td> <td>2900</td> <td>1\"/&gt;  </td></tr></td></tr></td></tr></td></tr></td></tr></td></tr></td></tr></td></tr></td></tr></td></tr></td></tr></td></tr></td></tr></td></tr></td></tr></td></tr></td></tr></td></tr></td></tr></td></tr></td></tr></td></tr></td></tr></td></tr></td></tr></td></tr></td></tr></td></tr></td></tr></td></tr></td></tr></td></tr></td></tr></td></tr></td></tr></td></tr>   | U-15 | " | " | V-675 | 122 | 1/2 | 2900    | 1\"/> <tr> <td>U-16</td> <td>"</td> <td>"</td> <td>V-675</td> <td>122</td> <td>1/2</td> <td>2900</td> <td>1\"/&gt;  <tr> <td>U-17</td> <td>"</td> <td>"</td> <td>V-675</td> <td>122</td> <td>1/2</td> <td>2900</td> <td>1\"/&gt;  <tr> <td>U-18</td> <td>"</td> <td>"</td> <td>V-675</td> <td>122</td> <td>1/2</td> <td>2900</td> <td>1\"/&gt;  <tr> <td>U-19</td> <td>"</td> <td>"</td> <td>V-675</td> <td>122</td> <td>1/2</td> <td>2900</td> <td>1\"/&gt;  <tr> <td>U-20</td> <td>"</td> <td>"</td> <td>V-675</td> <td>122</td> <td>1/2</td> <td>2900</td> <td>1\"/&gt;  <tr> <td>U-21</td> <td>"</td> <td>"</td> <td>V-675</td> <td>122</td> <td>1/2</td> <td>2900</td> <td>1\"/&gt;  <tr> <td>U-22</td> <td>"</td> <td>"</td> <td>V-675</td> <td>122</td> <td>1/2</td> <td>2900</td> <td>1\"/&gt;  <tr> <td>U-23</td> <td>"</td> <td>"</td> <td>V-675</td> <td>122</td> <td>1/2</td> <td>2900</td> <td>1\"/&gt;  <tr> <td>U-24</td> <td>"</td> <td>"</td> <td>V-675</td> <td>122</td> <td>1/2</td> <td>2900</td> <td>1\"/&gt;  <tr> <td>U-25</td> <td>"</td> <td>"</td> <td>V-675</td> <td>122</td> <td>1/2</td> <td>2900</td> <td>1\"/&gt;  <tr> <td>U-26</td> <td>"</td> <td>"</td> <td>V-675</td> <td>122</td> <td>1/2</td> <td>2900</td> <td>1\"/&gt;  <tr> <td>U-27</td> <td>"</td> <td>"</td> <td>V-675</td> <td>122</td> <td>1/2</td> <td>2900</td> <td>1\"/&gt;  <tr> <td>U-28</td> <td>"</td> <td>"</td> <td>V-675</td> <td>122</td> <td>1/2</td> <td>2900</td> <td>1\"/&gt;  <tr> <td>U-29</td> <td>"</td> <td>"</td> <td>V-675</td> <td>122</td> <td>1/2</td> <td>2900</td> <td>1\"/&gt;  <tr> <td>U-30</td> <td>"</td> <td>"</td> <td>V-675</td> <td>122</td> <td>1/2</td> <td>2900</td> <td>1\"/&gt;  <tr> <td>U-31</td> <td>"</td> <td>"</td> <td>V-675</td> <td>122</td> <td>1/2</td> <td>2900</td> <td>1\"/&gt;  <tr> <td>U-32</td> <td>"</td> <td>"</td>
<td>V-675</td> <td>122</td> <td>1/2</td> <td>2900</td> <td>1\"/&gt;  <tr> <td>U-33</td> <td>"</td> <td>"</td> <td>V-675</td> <td>122</td> <td>1/2</td> <td>2900</td> <td>1\"/&gt;  <tr> <td>U-34</td> <td>"</td> <td>"</td> <td>V-675</td> <td>122</td> <td>1/2</td> <td>2900</td> <td>1\"/&gt;  <tr> <td>U-35</td> <td>"</td> <td>"</td> <td>V-675</td> <td>122</td> <td>1/2</td> <td>2900</td> <td>1\"/&gt;  <tr> <td>U-36</td> <td>"</td> <td>"</td> <td>V-675</td> <td>122</td> <td>1/2</td> <td>2900</td> <td>1\"/&gt;  <tr> <td>U-37</td> <td>"</td> <td>"</td> <td>V-675</td> <td>122</td> <td>1/2</td> <td>2900</td> <td>1\"/&gt;  <tr> <td>U-38</td> <td>"</td> <td>"</td> <td>V-675</td> <td>122</td> <td>1/2</td> <td>2900</td> <td>1\"/&gt;  <tr> <td>U-39</td> <td>"</td> <td>"</td> <td>V-675</td> <td>122</td> <td>1/2</td> <td>2900</td> <td>1\"/&gt;  <tr> <td>U-40</td> <td>"</td> <td>"</td> <td>V-675</td> <td>122</td> <td>1/2</td> <td>2900</td> <td>1\"/&gt;  <tr> <td>U-41</td> <td>"</td> <td>"</td> <td>V-675</td> <td>122</td> <td>1/2</td> <td>2900</td> <td>1\"/&gt;  <tr> <td>U-42</td> <td>"</td> <td>"</td> <td>V-675</td> <td>122</td> <td>1/2</td> <td>2900</td> <td>1\"/&gt;  <tr> <td>U-43</td> <td>"</td> <td>"</td> <td>V-675</td> <td>122</td> <td>1/2</td> <td>2900</td> <td>1\"/&gt;  <tr> <td>U-44</td> <td>"</td> <td>"</td> <td>V-675</td> <td>122</td> <td>1/2</td> <td>2900</td> <td>1\"/&gt;  <tr> <td>U-45</td> <td>"</td> <td>"</td> <td>V-675</td> <td>122</td> <td>1/2</td> <td>2900</td> <td>1\"/&gt;  <tr> <td>U-46</td> <td>"</td> <td>"</td> <td>V-675</td> <td>122</td> <td>1/2</td> <td>2900</td> <td>1\"/&gt;  <tr> <td>U-47</td> <td>"</td> <td>"</td> <td>V-675</td> <td>122</td> <td>1/2</td> <td>2900</td> <td>1\"/&gt;  <tr> <td>U-48</td> <td>"</td> <td>"</td> <td>V-675</td> <td>122</td> <td>1/2</td> <td>2900</td> <td>1\"/&gt;  <tr> <td>U-49</td> <td>"</td> <td>"</td> <td>V-675</td> <td>122</td> <td>1/2</td> <td>2900</td> <td>1\"/&gt;  <tr> <td>U-50</td> <td>"</td> <td>"</td> <td>V-675</td> <td>122</td> <td>1/2</td> <td>2900</td> <td>1\"/&gt;  </td></tr></td></tr></td></tr></td></tr></td></tr></td></tr></td></tr></td></tr></td></tr></td></tr></td></tr></td></tr></td></tr></td></tr></td></tr></td></tr></td></tr></td></tr></td></tr></td></tr></td></tr></td></tr></td></tr></td></tr></td></tr></td></tr></td></tr></td></tr></td></tr></td></tr></td></tr></td></tr></td></tr></td></tr></td></tr>  | U-16 | " | " | V-675 | 122 | 1/2 | 2900   | 1\"/> <tr> <td>U-17</td> <td>"</td> <td>"</td> <td>V-675</td> <td>122</td> <td>1/2</td> <td>2900</td> <td>1\"/&gt;  <tr> <td>U-18</td> <td>"</td> <td>"</td> <td>V-675</td> <td>122</td> <td>1/2</td> <td>2900</td> <td>1\"/&gt;  <tr> <td>U-19</td> <td>"</td> <td>"</td> <td>V-675</td> <td>122</td> <td>1/2</td> <td>2900</td> <td>1\"/&gt;  <tr> <td>U-20</td> <td>"</td> <td>"</td> <td>V-675</td> <td>122</td> <td>1/2</td> <td>2900</td> <td>1\"/&gt;  <tr> <td>U-21</td> <td>"</td> <td>"</td> <td>V-675</td> <td>122</td> <td>1/2</td> <td>2900</td> <td>1\"/&gt;  <tr> <td>U-22</td> <td>"</td> <td>"</td> <td>V-675</td> <td>122</td> <td>1/2</td> <td>2900</td> <td>1\"/&gt;  <tr> <td>U-23</td> <td>"</td> <td>"</td> <td>V-675</td> <td>122</td> <td>1/2</td> <td>2900</td> <td>1\"/&gt;  <tr> <td>U-24</td> <td>"</td> <td>"</td> <td>V-675</td> <td>122</td> <td>1/2</td> <td>2900</td> <td>1\"/&gt;  <tr> <td>U-25</td> <td>"</td> <td>"</td> <td>V-675</td> <td>122</td> <td>1/2</td> <td>2900</td> <td>1\"/&gt;  <tr> <td>U-26</td> <td>"</td> <td>"</td> <td>V-675</td> <td>122</td> <td>1/2</td> <td>2900</td> <td>1\"/&gt;  <tr> <td>U-27</td> <td>"</td> <td>"</td> <td>V-675</td> <td>122</td> <td>1/2</td> <td>2900</td> <td>1\"/&gt;  <tr> <td>U-28</td> <td>"</td> <td>"</td> <td>V-675</td> <td>122</td> <td>1/2</td> <td>2900</td> <td>1\"/&gt;  <tr> <td>U-29</td> <td>"</td> <td>"</td> <td>V-675</td> <td>122</td> <td>1/2</td> <td>2900</td> <td>1\"/&gt;  <tr> <td>U-30</td> <td>"</td> <td>"</td> <td>V-675</td> <td>122</td> <td>1/2</td> <td>2900</td> <td>1\"/&gt;  <tr> <td>U-31</td> <td>"</td> <td>"</td> <td>V-675</td> <td>122</td> <td>1/2</td> <td>2900</td> <td>1\"/&gt;  <tr> <td>U-32</td> <td>"</td> <td>"</td> <td>V-675</td> <td>122</td> <td>1/2</td> <td>2900</td> <td>1\"/&gt;  <tr> <td>U-33</td> <td>"</td> <td>"</td> <td>V-675</td> <td>122</td> <td>1/2</td> <td>2900</td> <td>1\"/&gt;  <tr> <td>U-34</td> <td>"</td> <td>"</td> <td>V-675</td> <td>122</td> <td>1/2</td> <td>2900</td> <td>1\"/&gt;  <tr> <td>U-35</td> <td>"</td> <td>"</td> <td>V-675</td> <td>122</td> <td>1/2</td> <td>2900</td> <td>1\"/&gt;  <tr> <td>U-36</td> <td>"</td> <td>"</td> <td>V-675</td> <td>122</td> <td>1/2</td> <td>2900</td> <td>1\"/&gt;  <tr> <td>U-37</td> <td>"</td> <td>"</td> <td>V-675</td> <td>122</td> <td>1/2</td> <td>2900</td> <td>1\"/&gt;  <tr> <td>U-38</td> <td>"</td> <td>"</td> <td>V-675</td> <td>122</td> <td>1/2</td> <td>2900</td> <td>1\"/&gt;  <tr> <td>U-39</td> <td>"</td> <td>"</td> <td>V-675</td> <td>122</td> <td>1/2</td> <td>2900</td> <td>1\"/&gt;  <tr> <td>U-40</td> <td>"</td> <td>"</td> <td>V-675</td> <td>122</td> <td>1/2</td> <td>2900</td> <td>1\"/&gt;  <tr> <td>U-41</td> <td>"</td> <td>"</td> <td>V-675</td> <td>122</td> <td>1/2</td> <td>2900</td> <td>1\"/&gt;  <tr> <td>U-42</td> <td>"</td> <td>"</td> <td>V-675</td> <td>122</td> <td>1/2</td> <td>2900</td> <td>1\"/&gt;  <tr> <td>U-43</td> <td>"</td> <td>"</td> <td>V-675</td> <td>122</td> <td>1/2</td> <td>2900</td> <td>1\"/&gt;  <tr> <td>U-44</td> <td>"</td> <td>"</td> <td>V-675</td> <td>122</td> <td>1/2</td> <td>2900</td> <td>1\"/&gt;  <tr> <td>U-45</td> <td>"</td> <td>"</td> <td>V-675</td> <td>122</td> <td>1/2</td> <td>2900</td> <td>1\"/&gt;  <tr> <td>U-46</td> <td>"</td> <td>"</td> <td>V-675</td> <td>122</td> <td>1/2</td> <td>2900</td> <td>1\"/&gt;  <tr> <td>U-47</td> <td>"</td> <td>"</td> <td>V-675</td> <td>122</td> <td>1/2</td> <td>2900</td> <td>1\"/&gt;  <tr> <td>U-48</td> <td>"</td> <td>"</td> <td>V-675</td> <td>122</td> <td>1/2</td> <td>2900</td> <td>1\"/&gt;  <tr> <td>U-49</td> <td>"</td> <td>"</td> <td>V-675</td> <td>122</td> <td>1/2</td> <td>2900</td> <td>1\"/&gt;  <tr> <td>U-50</td> <td>"</td> <td>"</td> <td>V-675</td> <td>122</td> <td>1/2</td> <td>2900</td> <td>1\"/&gt;  </td></tr></td></tr></td></tr></td></tr></td></tr></td></tr></td></tr></td></tr></td></tr></td></tr></td></tr></td></tr></td></tr></td></tr></td></tr></td></tr></td></tr></td></tr></td></tr></td></tr></td></tr></td></tr></td></tr></td></tr></td></tr></td></tr></td></tr></td></tr></td></tr></td></tr></td></tr></td></tr></td></tr></td></tr>   | U-17 | " | " | V-675 | 122 | 1/2 | 2900    | 1\"/> <tr> <td>U-18</td> <td>"</td> <td>"</td> <td>V-675</td> <td>122</td> <td>1/2</td> <td>2900</td> <td>1\"/&gt;  <tr> <td>U-19</td> <td>"</td> <td>"</td> <td>V-675</td> <td>122</td> <td>1/2</td> <td>2900</td> <td>1\"/&gt;  <tr> <td>U-20</td> <td>"</td> <td>"</td> <td>V-675</td> <td>122</td> <td>1/2</td> <td>2900</td> <td>1\"/&gt;  <tr> <td>U-21</td> <td>"</td> <td>"</td> <td>V-675</td> <td>122</td> <td>1/2</td> <td>2900</td> <td>1\"/&gt;  <tr> <td>U-22</td> <td>"</td> <td>"</td> <td>V-675</td> <td>122</td> <td>1/2</td> <td>2900</td> <td>1\"/&gt;  <tr> <td>U-23</td> <td>"</td> <td>"</td> <td>V-675</td> <td>122</td> <td>1/2</td> <td>2900</td> <td>1\"/&gt;  <tr> <td>U-24</td> <td>"</td> <td>"</td> <td>V-675</td> <td>122</td> <td>1/2</td> <td>2900</td> <td>1\"/&gt;  <tr>
<td>U-25</td> <td>"</td> <td>"</td> <td>V-675</td> <td>122</td> <td>1/2</td> <td>2900</td> <td>1\"/&gt;  <tr> <td>U-26</td> <td>"</td> <td>"</td> <td>V-675</td> <td>122</td> <td>1/2</td> <td>2900</td> <td>1\"/&gt;  <tr> <td>U-27</td> <td>"</td> <td>"</td> <td>V-675</td> <td>122</td> <td>1/2</td> <td>2900</td> <td>1\"/&gt;  <tr> <td>U-28</td> <td>"</td> <td>"</td> <td>V-675</td> <td>122</td> <td>1/2</td> <td>2900</td> <td>1\"/&gt;  <tr> <td>U-29</td> <td>"</td> <td>"</td> <td>V-675</td> <td>122</td> <td>1/2</td> <td>2900</td> <td>1\"/&gt;  <tr> <td>U-30</td> <td>"</td> <td>"</td> <td>V-675</td> <td>122</td> <td>1/2</td> <td>2900</td> <td>1\"/&gt;  <tr> <td>U-31</td> <td>"</td> <td>"</td> <td>V-675</td> <td>122</td> <td>1/2</td> <td>2900</td> <td>1\"/&gt;  <tr> <td>U-32</td> <td>"</td> <td>"</td> <td>V-675</td> <td>122</td> <td>1/2</td> <td>2900</td> <td>1\"/&gt;  <tr> <td>U-33</td> <td>"</td> <td>"</td> <td>V-675</td> <td>122</td> <td>1/2</td> <td>2900</td> <td>1\"/&gt;  <tr> <td>U-34</td> <td>"</td> <td>"</td> <td>V-675</td> <td>122</td> <td>1/2</td> <td>2900</td> <td>1\"/&gt;  <tr> <td>U-35</td> <td>"</td> <td>"</td> <td>V-675</td> <td>122</td> <td>1/2</td> <td>2900</td> <td>1\"/&gt;  <tr> <td>U-36</td> <td>"</td> <td>"</td> <td>V-675</td> <td>122</td> <td>1/2</td> <td>2900</td> <td>1\"/&gt;  <tr> <td>U-37</td> <td>"</td> <td>"</td> <td>V-675</td> <td>122</td> <td>1/2</td> <td>2900</td> <td>1\"/&gt;  <tr> <td>U-38</td> <td>"</td> <td>"</td> <td>V-675</td> <td>122</td> <td>1/2</td> <td>2900</td> <td>1\"/&gt;  <tr> <td>U-39</td> <td>"</td> <td>"</td> <td>V-675</td> <td>122</td> <td>1/2</td> <td>2900</td> <td>1\"/&gt;  <tr> <td>U-40</td> <td>"</td> <td>"</td> <td>V-675</td> <td>122</td> <td>1/2</td> <td>2900</td> <td>1\"/&gt;  <tr> <td>U-41</td> <td>"</td> <td>"</td> <td>V-675</td> <td>122</td> <td>1/2</td> <td>2900</td> <td>1\"/&gt;  <tr> <td>U-42</td> <td>"</td> <td>"</td> <td>V-675</td> <td>122</td> <td>1/2</td> <td>2900</td> <td>1\"/&gt;  <tr> <td>U-43</td> <td>"</td> <td>"</td> <td>V-675</td> <td>122</td> <td>1/2</td> <td>2900</td> <td>1\"/&gt;  <tr> <td>U-44</td> <td>"</td> <td>"</td> <td>V-675</td> <td>122</td> <td>1/2</td> <td>2900</td> <td>1\"/&gt;  <tr> <td>U-45</td> <td>"</td> <td>"</td> <td>V-675</td> <td>122</td> <td>1/2</td> <td>2900</td> <td>1\"/&gt;  <tr> <td>U-46</td> <td>"</td> <td>"</td> <td>V-675</td> <td>122</td> <td>1/2</td> <td>2900</td> <td>1\"/&gt;  <tr> <td>U-47</td> <td>"</td> <td>"</td> <td>V-675</td> <td>122</td> <td>1/2</td> <td>2900</td> <td>1\"/&gt;  <tr> <td>U-48</td> <td>"</td> <td>"</td> <td>V-675</td> <td>122</td> <td>1/2</td> <td>2900</td> <td>1\"/&gt;  <tr> <td>U-49</td> <td>"</td> <td>"</td> <td>V-675</td> <td>122</td> <td>1/2</td> <td>2900</td> <td>1\"/&gt;  <tr> <td>U-50</td> <td>"</td> <td>"</td> <td>V-675</td> <td>122</td> <td>1/2</td> <td>2900</td> <td>1\"/&gt;  </td></tr></td></tr></td></tr></td></tr></td></tr></td></tr></td></tr></td></tr></td></tr></td></tr></td></tr></td></tr></td></tr></td></tr></td></tr></td></tr></td></tr></td></tr></td></tr></td></tr></td></tr></td></tr></td></tr></td></tr></td></tr></td></tr></td></tr></td></tr></td></tr></td></tr></td></tr></td></tr></td></tr>  | U-18 | "           | "      | V-675  | 122  | 1/2 | 2900 | 1\"/> <tr> <td>U-19</td> <td>"</td> <td>"</td> <td>V-675</td> <td>122</td> <td>1/2</td> <td>2900</td> <td>1\"/&gt;  <tr> <td>U-20</td> <td>"</td> <td>"</td> <td>V-675</td> <td>122</td> <td>1/2</td> <td>2900</td> <td>1\"/&gt;  <tr> <td>U-21</td> <td>"</td> <td>"</td> <td>V-675</td> <td>122</td> <td>1/2</td> <td>2900</td> <td>1\"/&gt;  <tr> <td>U-22</td> <td>"</td> <td>"</td> <td>V-675</td> <td>122</td> <td>1/2</td> <td>2900</td> <td>1\"/&gt;  <tr> <td>U-23</td> <td>"</td> <td>"</td> <td>V-675</td> <td>122</td> <td>1/2</td> <td>2900</td> <td>1\"/&gt;  <tr> <td>U-24</td> <td>"</td> <td>"</td> <td>V-675</td> <td>122</td> <td>1/2</td> <td>2900</td> <td>1\"/&gt;  <tr> <td>U-25</td> <td>"</td> <td>"</td> <td>V-675</td> <td>122</td> <td>1/2</td> <td>2900</td> <td>1\"/&gt;  <tr> <td>U-26</td> <td>"</td> <td>"</td> <td>V-675</td> <td>122</td> <td>1/2</td> <td>2900</td> <td>1\"/&gt;  <tr> <td>U-27</td> <td>"</td> <td>"</td> <td>V-675</td> <td>122</td> <td>1/2</td> <td>2900</td> <td>1\"/&gt;  <tr> <td>U-28</td> <td>"</td> <td>"</td> <td>V-675</td> <td>122</td> <td>1/2</td> <td>2900</td> <td>1\"/&gt;  <tr> <td>U-29</td> <td>"</td> <td>"</td> <td>V-675</td> <td>122</td> <td>1/2</td> <td>2900</td> <td>1\"/&gt;  <tr> <td>U-30</td> <td>"</td> <td>"</td> <td>V-675</td> <td>122</td> <td>1/2</td> <td>2900</td> <td>1\"/&gt;  <tr> <td>U-31</td> <td>"</td> <td>"</td> <td>V-675</td> <td>122</td> <td>1/2</td> <td>2900</td> <td>1\"/&gt;  <tr> <td>U-32</td> <td>"</td> <td>"</td> <td>V-675</td> <td>122</td> <td>1/2</td> <td>2900</td> <td>1\"/&gt;  <tr> <td>U-33</td> <td>"</td> <td>"</td> <td>V-675</td> <td>122</td> <td>1/2</td> <td>2900</td> <td>1\"/&gt;  <tr> <td>U-34</td> <td>"</td> <td>"</td> <td>V-675</td> <td>122</td> <td>1/2</td> <td>2900</td> <td>1\"/&gt;  <tr> <td>U-35</td> <td>"</td> <td>"</td> <td>V-675</td> <td>122</td> <td>1/2</td> <td>2900</td> <td>1\"/&gt;  <tr> <td>U-36</td> <td>"</td> <td>"</td> <td>V-675</td> <td>122</td> <td>1/2</td> <td>2900</td> <td>1\"/&gt;  <tr> <td>U-37</td> <td>"</td> <td>"</td> <td>V-675</td> <td>122</td> <td>1/2</td> <td>2900</td> <td>1\"/&gt;  <tr> <td>U-38</td> <td>"</td> <td>"</td> <td>V-675</td> <td>122</td> <td>1/2</td> <td>2900</td> <td>1\"/&gt;  <tr> <td>U-39</td> <td>"</td> <td>"</td> <td>V-675</td> <td>122</td> <td>1/2</td> <td>2900</td> <td>1\"/&gt;  <tr> <td>U-40</td> <td>"</td> <td>"</td> <td>V-675</td> <td>122</td> <td>1/2</td> <td>2900</td> <td>1\"/&gt;  <tr> <td>U-41</td> <td>"</td> <td>"</td> <td>V-675</td> <td>122</td> <td>1/2</td> <td>2900</td> <td>1\"/&gt;  <tr> <td>U-42</td> <td>"</td> <td>"</td> <td>V-675</td> <td>122</td> <td>1/2</td> <td>2900</td> <td>1\"/&gt;  <tr> <td>U-43</td> <td>"</td> <td>"</td> <td>V-675</td> <td>122</td> <td>1/2</td> <td>2900</td> <td>1\"/&gt;  <tr> <td>U-44</td> <td>"</td> <td>"</td> <td>V-675</td> <td>122</td> <td>1/2</td> <td>2900</td> <td>1\"/&gt;  <tr> <td>U-45</td> <td>"</td> <td>"</td> <td>V-675</td> <td>122</td> <td>1/2</td> <td>2900</td> <td>1\"/&gt;  <tr> <td>U-46</td> <td>"</td> <td>"</td> <td>V-675</td> <td>122</td> <td>1/2</td> <td>2900</td> <td>1\"/&gt;  <tr> <td>U-47</td> <td>"</td> <td>"</td> <td>V-675</td> <td>122</td> <td>1/2</td> <td>2900</td> <td>1\"/&gt;  <tr> <td>U-48</td> <td>"</td> <td>"</td> <td>V-675</td> <td>122</td> <td>1/2</td> <td>2900</td> <td>1\"/&gt;  <tr> <td>U-49</td> <td>"</td> <td>"</td> <td>V-675</td> <td>122</td> <td>1/2</td> <td>2900</td> <td>1\"/&gt;  <tr> <td>U-50</td> <td>"</td> <td>"</td> <td>V-675</td> <td>122</td> <td>1/2</td> <td>2900</td> <td>1\"/&gt;  </td></tr></td></tr></td></tr></td></tr></td></tr></td></tr></td></tr></td></tr></td></tr></td></tr></td></tr></td></tr></td></tr></td></tr></td></tr></td></tr></td></tr></td></tr></td></tr></td></tr></td></tr></td></tr></td></tr></td></tr></td></tr></td></tr></td></tr></td></tr></td></tr></td></tr></td></tr></td></tr>   
  | U-19 | " | " | V-675  | 122  | 1/2 | 2900 | 1\"/> <tr> <td>U-20</td> <td>"</td> <td>"</td> <td>V-675</td> <td>122</td> <td>1/2</td> <td>2900</td> <td>1\"/&gt;  <tr> <td>U-21</td> <td>"</td> <td>"</td> <td>V-675</td> <td>122</td> <td>1/2</td> <td>2900</td> <td>1\"/&gt;  <tr> <td>U-22</td> <td>"</td> <td>"</td> <td>V-675</td> <td>122</td> <td>1/2</td> <td>2900</td> <td>1\"/&gt;  <tr> <td>U-23</td> <td>"</td> <td>"</td> <td>V-675</td> <td>122</td> <td>1/2</td> <td>2900</td> <td>1\"/&gt;  <tr> <td>U-24</td> <td>"</td> <td>"</td> <td>V-675</td> <td>122</td> <td>1/2</td> <td>2900</td> <td>1\"/&gt;  <tr> <td>U-25</td> <td>"</td> <td>"</td> <td>V-675</td> <td>122</td> <td>1/2</td> <td>2900</td> <td>1\"/&gt;  <tr> <td>U-26</td> <td>"</td> <td>"</td> <td>V-675</td> <td>122</td> <td>1/2</td> <td>2900</td> <td>1\"/&gt;  <tr> <td>U-27</td> <td>"</td> <td>"</td> <td>V-675</td> <td>122</td> <td>1/2</td> <td>2900</td> <td>1\"/&gt;  <tr> <td>U-28</td> <td>"</td> <td>"</td> <td>V-675</td> <td>122</td> <td>1/2</td> <td>2900</td> <td>1\"/&gt;  <tr> <td>U-29</td> <td>"</td> <td>"</td> <td>V-675</td> <td>122</td> <td>1/2</td> <td>2900</td> <td>1\"/&gt;  <tr> <td>U-30</td> <td>"</td> <td>"</td> <td>V-675</td> <td>122</td> <td>1/2</td> <td>2900</td> <td>1\"/&gt;  <tr> <td>U-31</td> <td>"</td> <td>"</td> <td>V-675</td> <td>122</td> <td>1/2</td> <td>2900</td> <td>1\"/&gt;  <tr> <td>U-32</td> <td>"</td> <td>"</td> <td>V-675</td> <td>122</td> <td>1/2</td> <td>2900</td> <td>1\"/&gt;  <tr> <td>U-33</td> <td>"</td> <td>"</td> <td>V-675</td> <td>122</td> <td>1/2</td> <td>2900</td> <td>1\"/&gt;  <tr> <td>U-34</td> <td>"</td> <td>"</td> <td>V-675</td> <td>122</td> <td>1/2</td> <td>2900</td> <td>1\"/&gt;  <tr> <td>U-35</td> <td>"</td> <td>"</td> <td>V-675</td> <td>122</td> <td>1/2</td> <td>2900</td> <td>1\"/&gt;  <tr> <td>U-36</td> <td>"</td> <td>"</td> <td>V-675</td> <td>122</td> <td>1/2</td> <td>2900</td> <td>1\"/&gt;  <tr> <td>U-37</td> <td>"</td> <td>"</td> <td>V-675</td> <td>122</td> <td>1/2</td> <td>2900</td> <td>1\"/&gt;  <tr> <td>U-38</td> <td>"</td> <td>"</td> <td>V-675</td> <td>122</td> <td>1/2</td> <td>2900</td> <td>1\"/&gt;  <tr> <td>U-39</td> <td>"</td> <td>"</td> <td>V-675</td> <td>122</td> <td>1/2</td> <td>2900</td> <td>1\"/&gt;  <tr> <td>U-40</td> <td>"</td> <td>"</td> <td>V-675</td> <td>122</td> <td>1/2</td> <td>2900</td> <td>1\"/&gt;  <tr> <td>U-41</td> <td>"</td> <td>"</td> <td>V-675</td> <td>122</td> <td>1/2</td> <td>2900</td> <td>1\"/&gt;  <tr> <td>U-42</td> <td>"</td> <td>"</td> <td>V-675</td> <td>122</td> <td>1/2</td> <td>2900</td> <td>1\"/&gt;  <tr> <td>U-43</td> <td>"</td> <td>"</td> <td>V-675</td> <td>122</td> <td>1/2</td> <td>2900</td> <td>1\"/&gt;  <tr> <td>U-44</td> <td>"</td> <td>"</td> <td>V-675</td> <td>122</td> <td>1/2</td> <td>2900</td> <td>1\"/&gt;  <tr> <td>U-45</td> <td>"</td> <td>"</td> <td>V-675</td> <td>122</td> <td>1/2</td> <td>2900</td> <td>1\"/&gt;  <tr> <td>U-46</td> <td>"</td> <td>"</td> <td>V-675</td> <td>122</td> <td>1/2</td> <td>2900</td> <td>1\"/&gt;  <tr> <td>U-47</td> <td>"</td> <td>"</td> <td>V-675</td> <td>122</td> <td>1/2</td> <td>2900</td> <td>1\"/&gt;  <tr> <td>U-48</td> <td>"</td> <td>"</td> <td>V-675</td> <td>122</td> <td>1/2</td> <td>2900</td> <td>1\"/&gt;  <tr> <td>U-49</td> <td>"</td> <td>"</td> <td>V-675</td> <td>122</td> <td>1/2</td> <td>2900</td> <td>1\"/&gt;  <tr> <td>U-50</td> <td>"</td> <td>"</td> <td>V-675</td> <td>122</td> <td>1/2</td> <td>2900</td> <td>1\"/&gt;  </td></tr></td></tr></td></tr></td></tr></td></tr></td></tr></td></tr></td></tr></td></tr></td></tr></td></tr></td></tr></td></tr></td></tr></td></tr></td></tr></td></tr></td></tr></td></tr></td></tr></td></tr></td></tr></td></tr></td></tr></td></tr></td></tr></td></tr></td></tr></td></tr></td></tr></td></tr>   | U-20 | " | " | V-675  | 122 | 1/2 | 2900 | 1\"/> <tr> <td>U-21</td> <td>"</td> <td>"</td> <td>V-675</td> <td>122</td> <td>1/2</td> <td>2900</td> <td>1\"/&gt;  <tr> <td>U-22</td> <td>"</td> <td>"</td> <td>V-675</td> <td>122</td> <td>1/2</td> <td>2900</td> <td>1\"/&gt;  <tr> <td>U-23</td> <td>"</td> <td>"</td> <td>V-675</td> <td>122</td> <td>1/2</td> <td>2900</td> <td>1\"/&gt;  <tr> <td>U-24</td> <td>"</td> <td>"</td> <td>V-675</td> <td>122</td> <td>1/2</td> <td>2900</td> <td>1\"/&gt;  <tr> <td>U-25</td> <td>"</td> <td>"</td> <td>V-675</td> <td>122</td> <td>1/2</td> <td>2900</td> <td>1\"/&gt;  <tr> <td>U-26</td> <td>"</td> <td>"</td> <td>V-675</td> <td>122</td> <td>1/2</td> <td>2900</td> <td>1\"/&gt;  <tr> <td>U-27</td> <td>"</td> <td>"</td> <td>V-675</td> <td>122</td> <td>1/2</td> <td>2900</td> <td>1\"/&gt;  <tr> <td>U-28</td> <td>"</td> <td>"</td> <td>V-675</td> <td>122</td> <td>1/2</td> <td>2900</td> <td>1\"/&gt;  <tr> <td>U-29</td> <td>"</td> <td>"</td> <td>V-675</td> <td>122</td> <td>1/2</td> <td>2900</td> <td>1\"/&gt;  <tr> <td>U-30</td> <td>"</td> <td>"</td> <td>V-675</td> <td>122</td> <td>1/2</td> <td>2900</td> <td>1\"/&gt;  <tr> <td>U-31</td> <td>"</td> <td>"</td> <td>V-675</td> <td>122</td> <td>1/2</td> <td>2900</td> <td>1\"/&gt;  <tr> <td>U-32</td> <td>"</td> <td>"</td> <td>V-675</td> <td>122</td> <td>1/2</td> <td>2900</td> <td>1\"/&gt;  <tr> <td>U-33</td> <td>"</td> <td>"</td> <td>V-675</td> <td>122</td> <td>1/2</td> <td>2900</td> <td>1\"/&gt;  <tr> <td>U-34</td> <td>"</td> <td>"</td> <td>V-675</td> <td>122</td> <td>1/2</td> <td>2900</td> <td>1\"/&gt;  <tr> <td>U-35</td> <td>"</td> <td>"</td> <td>V-675</td> <td>122</td> <td>1/2</td> <td>2900</td> <td>1\"/&gt;  <tr> <td>U-36</td> <td>"</td> <td>"</td> <td>V-675</td> <td>122</td> <td>1/2</td> <td>2900</td> <td>1\"/&gt;  <tr> <td>U-37</td> <td>"</td> <td>"</td> <td>V-675</td> <td>122</td> <td>1/2</td> <td>2900</td> <td>1\"/&gt;  <tr> <td>U-38</td> <td>"</td> <td>"</td> <td>V-675</td> <td>122</td> <td>1/2</td> <td>2900</td> <td>1\"/&gt;  <tr> <td>U-39</td> <td>"</td> <td>"</td> <td>V-675</td> <td>122</td> <td>1/2</td> <td>2900</td> <td>1\"/&gt;  <tr> <td>U-40</td> <td>"</td> <td>"</td> <td>V-675</td> <td>122</td> <td>1/2</td> <td>2900</td> <td>1\"/&gt;  <tr> <td>U-41</td> <td>"</td> <td>"</td> <td>V-675</td> <td>122</td> <td>1/2</td> <td>2900</td> <td>1\"/&gt;  <tr> <td>U-42</td> <td>"</td> <td>"</td> <td>V-675</td> <td>122</td> <td>1/2</td> <td>2900</td> <td>1\"/&gt;  <tr> <td>U-43</td> <td>"</td> <td>"</td> <td>V-675</td> <td>122</td> <td>1/2</td> <td>2900</td> <td>1\"/&gt;  <tr> <td>U-44</td> <td>"</td> <td>"</td> <td>V-675</td> <td>122</td> <td>1/2</td> <td>2900</td> <td>1\"/&gt;  <tr> <td>U-45</td> <td>"</td> <td>"</td> <td>V-675</td> <td>122</td> <td>1/2</td> <td>2900</td> <td>1\"/&gt;  <tr> <td>U-46</td> <td>"</td> <td>"</td> <td>V-675</td> <td>122</td> <td>1/2</td> <td>2900</td> <td>1\"/&gt;  <tr> <td>U-47</td> <td>"</td> <td>"</td> <td>V-675</td> <td>122</td> <td>1/2</td> <td>2900</td> <td>1\"/&gt;  <tr> <td>U-48</td> <td>"</td> <td>"</td> <td>V-675</td> <td>122</td> <td>1/2</td> <td>2900</td> <td>1\"/&gt;  <tr> <td>U-49</td> <td>"</td> <td>"</td> <td>V-675</td> <td>122</td> <td>1/2</td> <td>2900</td> <td>1\"/&gt;  <tr> <td>U-50</td> <td>"</td> <td>"</td> <td>V-675</td> <td>122</td> <td>1/2</td> <td>2900</td> <td>1\"/&gt;  </td></tr></td></tr></td></tr></td></tr></td></tr></td></tr></td></tr></td></tr></td></tr></td></tr></td></tr></td></tr></td></tr></td></tr></td></tr></td></tr></td></tr></td></tr></td></tr></td></tr></td></tr></td></tr></td></tr></td></tr></td></tr></td></tr></td></tr></td></tr></td></tr></td></tr>   
   | U-21 | " | " | V-675 | 122 | 1/2 | 2900 | 1\"/> <tr> <td>U-22</td> <td>"</td> <td>"</td> <td>V-675</td> <td>122</td> <td>1/2</td> <td>2900</td> <td>1\"/&gt;  <tr> <td>U-23</td> <td>"</td> <td>"</td> <td>V-675</td> <td>122</td> <td>1/2</td> <td>2900</td> <td>1\"/&gt;  <tr> <td>U-24</td> <td>"</td> <td>"</td> <td>V-675</td> <td>122</td> <td>1/2</td> <td>2900</td> <td>1\"/&gt;  <tr> <td>U-25</td> <td>"</td> <td>"</td> <td>V-675</td> <td>122</td> <td>1/2</td> <td>2900</td> <td>1\"/&gt;  <tr> <td>U-26</td> <td>"</td> <td>"</td> <td>V-675</td> <td>122</td> <td>1/2</td> <td>2900</td> <td>1\"/&gt;  <tr> <td>U-27</td> <td>"</td> <td>"</td> <td>V-675</td> <td>122</td> <td>1/2</td> <td>2900</td> <td>1\"/&gt;  <tr> <td>U-28</td> <td>"</td> <td>"</td> <td>V-675</td> <td>122</td> <td>1/2</td> <td>2900</td> <td>1\"/&gt;  <tr> <td>U-29</td> <td>"</td> <td>"</td> <td>V-675</td> <td>122</td> <td>1/2</td> <td>2900</td> <td>1\"/&gt;  <tr> <td>U-30</td> <td>"</td> <td>"</td> <td>V-675</td> <td>122</td> <td>1/2</td> <td>2900</td> <td>1\"/&gt;  <tr> <td>U-31</td> <td>"</td> <td>"</td> <td>V-675</td> <td>122</td> <td>1/2</td> <td>2900</td> <td>1\"/&gt;  <tr> <td>U-32</td> <td>"</td> <td>"</td> <td>V-675</td> <td>122</td> <td>1/2</td> <td>2900</td> <td>1\"/&gt;  <tr> <td>U-33</td> <td>"</td> <td>"</td> <td>V-675</td> <td>122</td> <td>1/2</td> <td>2900</td> <td>1\"/&gt;  <tr> <td>U-34</td> <td>"</td> <td>"</td> <td>V-675</td> <td>122</td> <td>1/2</td> <td>2900</td> <td>1\"/&gt;  <tr> <td>U-35</td> <td>"</td> <td>"</td> <td>V-675</td> <td>122</td> <td>1/2</td> <td>2900</td> <td>1\"/&gt;  <tr> <td>U-36</td> <td>"</td> <td>"</td> <td>V-675</td> <td>122</td> <td>1/2</td> <td>2900</td> <td>1\"/&gt;  <tr> <td>U-37</td> <td>"</td> <td>"</td> <td>V-675</td> <td>122</td> <td>1/2</td> <td>2900</td> <td>1\"/&gt;  <tr> <td>U-38</td> <td>"</td> <td>"</td> <td>V-675</td> <td>122</td> <td>1/2</td> <td>2900</td> <td>1\"/&gt;  <tr> <td>U-39</td> <td>"</td> <td>"</td> <td>V-675</td> <td>122</td> <td>1/2</td> <td>2900</td> <td>1\"/&gt;  <tr> <td>U-40</td> <td>"</td> <td>"</td> <td>V-675</td> <td>122</td> <td>1/2</td> <td>2900</td> <td>1\"/&gt;  <tr> <td>U-41</td> <td>"</td> <td>"</td> <td>V-675</td> <td>122</td> <td>1/2</td> <td>2900</td> <td>1\"/&gt;  <tr> <td>U-42</td> <td>"</td> <td>"</td> <td>V-675</td> <td>122</td> <td>1/2</td> <td>2900</td> <td>1\"/&gt;  <tr> <td>U-43</td> <td>"</td> <td>"</td> <td>V-675</td> <td>122</td> <td>1/2</td> <td>2900</td> <td>1\"/&gt;  <tr> <td>U-44</td> <td>"</td> <td>"</td> <td>V-675</td> <td>122</td> <td>1/2</td> <td>2900</td> <td>1\"/&gt;  <tr> <td>U-45</td> <td>"</td> <td>"</td> <td>V-675</td> <td>122</td> <td>1/2</td> <td>2900</td> <td>1\"/&gt;  <tr> <td>U-46</td> <td>"</td> <td>"</td> <td>V-675</td> <td>122</td> <td>1/2</td> <td>2900</td> <td>1\"/&gt;  <tr> <td>U-47</td> <td>"</td> <td>"</td> <td>V-675</td> <td>122</td> <td>1/2</td> <td>2900</td> <td>1\"/&gt;  <tr> <td>U-48</td> <td>"</td> <td>"</td> <td>V-675</td> <td>122</td> <td>1/2</td> <td>2900</td> <td>1\"/&gt;  <tr> <td>U-49</td> <td>"</td> <td>"</td> <td>V-675</td> <td>122</td> <td>1/2</td> <td>2900</td> <td>1\"/&gt;  <tr> <td>U-50</td> <td>"</td> <td>"</td> <td>V-675</td> <td>122</td> <td>1/2</td> <td>2900</td> <td>1\"/&gt;  </td></tr></td></tr></td></tr></td></tr></td></tr></td></tr></td></tr></td></tr></td></tr></td></tr></td></tr></td></tr></td></tr></td></tr></td></tr></td></tr></td></tr></td></tr></td></tr></td></tr></td></tr></td></tr></td></tr></td></tr></td></tr></td></tr></td></tr></td></tr></td></tr>  | U-22 | " | " | V-675 | 122 | 1/2 | 2900 | 1\"/> <tr> <td>U-23</td> <td>"</td> <td>"</td> <td>V-675</td> <td>122</td> <td>1/2</td> <td>2900</td> <td>1\"/&gt;  <tr> <td>U-24</td> <td>"</td> <td>"</td> <td>V-675</td> <td>122</td> <td>1/2</td> <td>2900</td> <td>1\"/&gt;  <tr> <td>U-25</td> <td>"</td> <td>"</td> <td>V-675</td> <td>122</td> <td>1/2</td> <td>2900</td> <td>1\"/&gt;  <tr> <td>U-26</td> <td>"</td> <td>"</td> <td>V-675</td> <td>122</td> <td>1/2</td> <td>2900</td> <td>1\"/&gt;  <tr> <td>U-27</td> <td>"</td> <td>"</td> <td>V-675</td> <td>122</td> <td>1/2</td> <td>2900</td> <td>1\"/&gt;  <tr> <td>U-28</td> <td>"</td> <td>"</td> <td>V-675</td> <td>122</td> <td>1/2</td> <td>2900</td> <td>1\"/&gt;  <tr> <td>U-29</td> <td>"</td> <td>"</td> <td>V-675</td> <td>122</td> <td>1/2</td> <td>2900</td> <td>1\"/&gt;  <tr> <td>U-30</td> <td>"</td> <td>"</td> <td>V-675</td> <td>122</td> <td>1/2</td> <td>2900</td> <td>1\"/&gt;  <tr> <td>U-31</td> <td>"</td> <td>"</td> <td>V-675</td> <td>122</td> <td>1/2</td> <td>2900</td> <td>1\"/&gt;  <tr> <td>U-32</td> <td>"</td> <td>"</td> <td>V-675</td> <td>122</td> <td>1/2</td> <td>2900</td> <td>1\"/&gt;  <tr> <td>U-33</td> <td>"</td> <td>"</td> <td>V-675</td> <td>122</td> <td>1/2</td> <td>2900</td> <td>1\"/&gt;  <tr> <td>U-34</td> <td>"</td> <td>"</td> <td>V-675</td> <td>122</td> <td>1/2</td> <td>2900</td> <td>1\"/&gt;  <tr> <td>U-35</td> <td>"</td> <td>"</td> <td>V-675</td> <td>122</td> <td>1/2</td> <td>2900</td> <td>1\"/&gt;  <tr> <td>U-36</td> <td>"</td> <td>"</td> <td>V-675</td> <td>122</td> <td>1/2</td> <td>2900</td> <td>1\"/&gt;  <tr> <td>U-37</td> <td>"</td> <td>"</td> <td>V-675</td> <td>122</td> <td>1/2</td> <td>2900</td> <td>1\"/&gt;  <tr> <td>U-38</td> <td>"</td> <td>"</td> <td>V-675</td> <td>122</td> <td>1/2</td> <td>2900</td> <td>1\"/&gt;  <tr> <td>U-39</td> <td>"</td> <td>"</td> <td>V-675</td> <td>122</td> <td>1/2</td> <td>2900</td> <td>1\"/&gt;  <tr> <td>U-40</td> <td>"</td> <td>"</td> <td>V-675</td> <td>122</td> <td>1/2</td> <td>2900</td> <td>1\"/&gt;  <tr> <td>U-41</td> <td>"</td> <td>"</td> <td>V-675</td> <td>122</td> <td>1/2</td> <td>2900</td> <td>1\"/&gt;  <tr> <td>U-42</td> <td>"</td> <td>"</td> <td>V-675</td> <td>122</td> <td>1/2</td> <td>2900</td> <td>1\"/&gt;  <tr> <td>U-43</td> <td>"</td> <td>"</td> <td>V-675</td> <td>122</td> <td>1/2</td> <td>2900</td> <td>1\"/&gt;  <tr> <td>U-44</td> <td>"</td> <td>"</td> <td>V-675</td> <td>122</td> <td>1/2</td> <td>2900</td> <td>1\"/&gt;  <tr> <td>U-45</td>
<td>"</td> <td>"</td> <td>V-675</td> <td>122</td> <td>1/2</td> <td>2900</td> <td>1\"/&gt;  <tr> <td>U-46</td> <td>"</td> <td>"</td> <td>V-675</td> <td>122</td> <td>1/2</td> <td>2900</td> <td>1\"/&gt;  <tr> <td>U-47</td> <td>"</td> <td>"</td> <td>V-675</td> <td>122</td> <td>1/2</td> <td>2900</td> <td>1\"/&gt;  <tr> <td>U-48</td> <td>"</td> <td>"</td> <td>V-675</td> <td>122</td> <td>1/2</td> <td>2900</td> <td>1\"/&gt;  <tr> <td>U-49</td> <td>"</td> <td>"</td> <td>V-675</td> <td>122</td> <td>1/2</td> <td>2900</td> <td>1\"/&gt;  <tr> <td>U-50</td> <td>"</td> <td>"</td> <td>V-675</td> <td>122</td> <td>1/2</td> <td>2900</td> <td>1\"/&gt;  </td></tr></td></tr></td></tr></td></tr></td></tr></td></tr></td></tr></td></tr></td></tr></td></tr></td></tr></td></tr></td></tr></td></tr></td></tr></td></tr></td></tr></td></tr></td></tr></td></tr></td></tr></td></tr></td></tr></td></tr></td></tr></td></tr></td></tr></td></tr>   | U-23 | " | " | V-675 | 122 | 1/2 | 2900 | 1\"/> <tr> <td>U-24</td> <td>"</td> <td>"</td> <td>V-675</td> <td>122</td> <td>1/2</td> <td>2900</td> <td>1\"/&gt;  <tr> <td>U-25</td> <td>"</td> <td>"</td> <td>V-675</td> <td>122</td> <td>1/2</td> <td>2900</td> <td>1\"/&gt;  <tr> <td>U-26</td> <td>"</td> <td>"</td> <td>V-675</td> <td>122</td> <td>1/2</td> <td>2900</td> <td>1\"/&gt;  <tr> <td>U-27</td> <td>"</td> <td>"</td> <td>V-675</td> <td>122</td> <td>1/2</td> <td>2900</td> <td>1\"/&gt;  <tr> <td>U-28</td> <td>"</td> <td>"</td> <td>V-675</td> <td>122</td> <td>1/2</td> <td>2900</td> <td>1\"/&gt;  <tr> <td>U-29</td> <td>"</td> <td>"</td> <td>V-675</td> <td>122</td> <td>1/2</td> <td>2900</td> <td>1\"/&gt;  <tr> <td>U-30</td> <td>"</td> <td>"</td> <td>V-675</td> <td>122</td> <td>1/2</td> <td>2900</td> <td>1\"/&gt;  <tr> <td>U-31</td> <td>"</td> <td>"</td> <td>V-675</td> <td>122</td> <td>1/2</td> <td>2900</td> <td>1\"/&gt;  <tr> <td>U-32</td> <td>"</td> <td>"</td> <td>V-675</td> <td>122</td> <td>1/2</td> <td>2900</td> <td>1\"/&gt;  <tr> <td>U-33</td> <td>"</td> <td>"</td> <td>V-675</td> <td>122</td> <td>1/2</td> <td>2900</td> <td>1\"/&gt;  <tr> <td>U-34</td> <td>"</td> <td>"</td> <td>V-675</td> <td>122</td> <td>1/2</td> <td>2900</td> <td>1\"/&gt;  <tr> <td>U-35</td> <td>"</td> <td>"</td> <td>V-675</td> <td>122</td> <td>1/2</td> <td>2900</td> <td>1\"/&gt;  <tr> <td>U-36</td> <td>"</td> <td>"</td> <td>V-675</td> <td>122</td> <td>1/2</td> <td>2900</td> <td>1\"/&gt;  <tr> <td>U-37</td> <td>"</td> <td>"</td> <td>V-675</td> <td>122</td> <td>1/2</td> <td>2900</td> <td>1\"/&gt;  <tr> <td>U-38</td> <td>"</td> <td>"</td> <td>V-675</td> <td>122</td> <td>1/2</td> <td>2900</td> <td>1\"/&gt;  <tr> <td>U-39</td> <td>"</td> <td>"</td> <td>V-675</td> <td>122</td> <td>1/2</td> <td>2900</td> <td>1\"/&gt;  <tr> <td>U-40</td> <td>"</td> <td>"</td> <td>V-675</td> <td>122</td> <td>1/2</td> <td>2900</td> <td>1\"/&gt;  <tr> <td>U-41</td> <td>"</td> <td>"</td> <td>V-675</td> <td>122</td> <td>1/2</td> <td>2900</td> <td>1\"/&gt;  <tr> <td>U-42</td> <td>"</td> <td>"</td> <td>V-675</td> <td>122</td> <td>1/2</td> <td>2900</td> <td>1\"/&gt;  <tr> <td>U-43</td> <td>"</td> <td>"</td> <td>V-675</td> <td>122</td> <td>1/2</td> <td>2900</td> <td>1\"/&gt;  <tr> <td>U-44</td> <td>"</td> <td>"</td> <td>V-675</td> <td>122</td> <td>1/2</td> <td>2900</td> <td>1\"/&gt;  <tr> <td>U-45</td> <td>"</td> <td>"</td> <td>V-675</td> <td>122</td> <td>1/2</td> <td>2900</td> <td>1\"/&gt;  <tr> <td>U-46</td> <td>"</td> <td>"</td> <td>V-675</td> <td>122</td> <td>1/2</td> <td>2900</td> <td>1\"/&gt;  <tr> <td>U-47</td> <td>"</td> <td>"</td> <td>V-675</td> <td>122</td> <td>1/2</td> <td>2900</td> <td>1\"/&gt;  <tr> <td>U-48</td> <td>"</td> <td>"</td> <td>V-675</td> <td>122</td> <td>1/2</td> <td>2900</td> <td>1\"/&gt;  <tr> <td>U-49</td> <td>"</td> <td>"</td> <td>V-675</td> <td>122</td> <td>1/2</td> <td>2900</td> <td>1\"/&gt;  <tr> <td>U-50</td> <td>"</td> <td>"</td> <td>V-675</td> <td>122</td> <td>1/2</td> <td>2900</td> <td>1\"/&gt;  </td></tr></td></tr></td></tr></td></tr></td></tr></td></tr></td></tr></td></tr></td></tr></td></tr></td></tr></td></tr></td></tr></td></tr></td></tr></td></tr></td></tr></td></tr></td></tr></td></tr></td></tr></td></tr></td></tr></td></tr></td></tr></td></tr></td></tr>  | U-24 | " | " | V-675 | 122 | 1/2 | 2900 | 1\"/> <tr> <td>U-25</td> <td>"</td> <td>"</td> <td>V-675</td> <td>122</td> <td>1/2</td> <td>2900</td> <td>1\"/&gt;  <tr> <td>U-26</td> <td>"</td> <td>"</td> <td>V-675</td> <td>122</td> <td>1/2</td> <td>2900</td> <td>1\"/&gt;  <tr> <td>U-27</td> <td>"</td> <td>"</td> <td>V-675</td> <td>122</td> <td>1/2</td> <td>2900</td> <td>1\"/&gt;  <tr> <td>U-28</td> <td>"</td> <td>"</td> <td>V-675</td> <td>122</td> <td>1/2</td> <td>2900</td> <td>1\"/&gt;  <tr> <td>U-29</td> <td>"</td> <td>"</td> <td>V-675</td> <td>122</td> <td>1/2</td> <td>2900</td> <td>1\"/&gt;  <tr> <td>U-30</td> <td>"</td> <td>"</td> <td>V-675</td> <td>122</td> <td>1/2</td> <td>2900</td> <td>1\"/&gt;  <tr> <td>U-31</td> <td>"</td> <td>"</td> <td>V-675</td> <td>122</td> <td>1/2</td> <td>2900</td> <td>1\"/&gt;  <tr> <td>U-32</td> <td>"</td> <td>"</td> <td>V-675</td> <td>122</td> <td>1/2</td> <td>2900</td> <td>1\"/&gt;  <tr> <td>U-33</td> <td>"</td> <td>"</td> <td>V-675</td> <td>122</td> <td>1/2</td> <td>2900</td> <td>1\"/&gt;  <tr> <td>U-34</td> <td>"</td> <td>"</td> <td>V-675</td> <td>122</td> <td>1/2</td> <td>2900</td> <td>1\"/&gt;  <tr> <td>U-35</td> <td>"</td> <td>"</td> <td>V-675</td> <td>122</td> <td>1/2</td> <td>2900</td> <td>1\"/&gt;  <tr> <td>U-36</td> <td>"</td> <td>"</td> <td>V-675</td> <td>122</td> <td>1/2</td> <td>2900</td> <td>1\"/&gt;  <tr> <td>U-37</td> <td>"</td> <td>"</td> <td>V-675</td> <td>122</td> <td>1/2</td> <td>2900</td> <td>1\"/&gt;  <tr> <td>U-38</td> <td>"</td> <td>"</td> <td>V-675</td> <td>122</td> <td>1/2</td> <td>2900</td> <td>1\"/&gt;  <tr> <td>U-39</td> <td>"</td> <td>"</td> <td>V-675</td> <td>122</td> <td>1/2</td> <td>2900</td> <td>1\"/&gt;  <tr>
<td>U-40</td> <td>"</td> <td>"</td> <td>V-675</td> <td>122</td> <td>1/2</td> <td>2900</td> <td>1\"/&gt;  <tr> <td>U-41</td> <td>"</td> <td>"</td> <td>V-675</td> <td>122</td> <td>1/2</td> <td>2900</td> <td>1\"/&gt;  <tr> <td>U-42</td> <td>"</td> <td>"</td> <td>V-675</td> <td>122</td> <td>1/2</td> <td>2900</td> <td>1\"/&gt;  <tr> <td>U-43</td> <td>"</td> <td>"</td> <td>V-675</td> <td>122</td> <td>1/2</td> <td>2900</td> <td>1\"/&gt;  <tr> <td>U-44</td> <td>"</td> <td>"</td> <td>V-675</td> <td>122</td> <td>1/2</td> <td>2900</td> <td>1\"/&gt;  <tr> <td>U-45</td> <td>"</td> <td>"</td> <td>V-675</td> <td>122</td> <td>1/2</td> <td>2900</td> <td>1\"/&gt;  <tr> <td>U-46</td> <td>"</td> <td>"</td> <td>V-675</td> <td>122</td> <td>1/2</td> <td>2900</td> <td>1\"/&gt;  <tr> <td>U-47</td> <td>"</td> <td>"</td> <td>V-675</td> <td>122</td> <td>1/2</td> <td>2900</td> <td>1\"/&gt;  <tr> <td>U-48</td> <td>"</td> <td>"</td> <td>V-675</td> <td>122</td> <td>1/2</td> <td>2900</td> <td>1\"/&gt;  <tr> <td>U-49</td> <td>"</td> <td>"</td> <td>V-675</td> <td>122</td> <td>1/2</td> <td>2900</td> <td>1\"/&gt;  <tr> <td>U-50</td> <td>"</td> <td>"</td> <td>V-675</td> <td>122</td> <td>1/2</td> <td>2900</td> <td>1\"/&gt;  </td></tr></td></tr></td></tr></td></tr></td></tr></td></tr></td></tr></td></tr></td></tr></td></tr></td></tr></td></tr></td></tr></td></tr></td></tr></td></tr></td></tr></td></tr></td></tr></td></tr></td></tr></td></tr></td></tr></td></tr></td></tr></td></tr>   | U-25 | " | " | V-675 | 122 | 1/2 | 2900 | 1\"/> <tr> <td>U-26</td> <td>"</td> <td>"</td> <td>V-675</td> <td>122</td> <td>1/2</td> <td>2900</td> <td>1\"/&gt;  <tr> <td>U-27</td> <td>"</td> <td>"</td> <td>V-675</td> <td>122</td> <td>1/2</td> <td>2900</td> <td>1\"/&gt;  <tr> <td>U-28</td> <td>"</td> <td>"</td> <td>V-675</td> <td>122</td> <td>1/2</td> <td>2900</td> <td>1\"/&gt;  <tr> <td>U-29</td> <td>"</td> <td>"</td> <td>V-675</td> <td>122</td> <td>1/2</td> <td>2900</td> <td>1\"/&gt;  <tr> <td>U-30</td> <td>"</td> <td>"</td> <td>V-675</td> <td>122</td> <td>1/2</td> <td>2900</td> <td>1\"/&gt;  <tr> <td>U-31</td> <td>"</td> <td>"</td> <td>V-675</td> <td>122</td> <td>1/2</td> <td>2900</td> <td>1\"/&gt;  <tr> <td>U-32</td> <td>"</td> <td>"</td> <td>V-675</td> <td>122</td> <td>1/2</td> <td>2900</td> <td>1\"/&gt;  <tr> <td>U-33</td> <td>"</td> <td>"</td> <td>V-675</td> <td>122</td> <td>1/2</td> <td>2900</td> <td>1\"/&gt;  <tr> <td>U-34</td> <td>"</td> <td>"</td> <td>V-675</td> <td>122</td> <td>1/2</td> <td>2900</td> <td>1\"/&gt;  <tr> <td>U-35</td> <td>"</td> <td>"</td> <td>V-675</td> <td>122</td> <td>1/2</td> <td>2900</td> <td>1\"/&gt;  <tr> <td>U-36</td> <td>"</td> <td>"</td> <td>V-675</td> <td>122</td> <td>1/2</td> <td>2900</td> <td>1\"/&gt;  <tr> <td>U-37</td> <td>"</td> <td>"</td> <td>V-675</td> <td>122</td> <td>1/2</td> <td>2900</td> <td>1\"/&gt;  <tr> <td>U-38</td> <td>"</td> <td>"</td> <td>V-675</td> <td>122</td> <td>1/2</td> <td>2900</td> <td>1\"/&gt;  <tr> <td>U-39</td> <td>"</td> <td>"</td> <td>V-675</td> <td>122</td> <td>1/2</td> <td>2900</td> <td>1\"/&gt;  <tr> <td>U-40</td> <td>"</td> <td>"</td> <td>V-675</td> <td>122</td> <td>1/2</td> <td>2900</td> <td>1\"/&gt;  <tr> <td>U-41</td> <td>"</td> <td>"</td> <td>V-675</td> <td>122</td> <td>1/2</td> <td>2900</td> <td>1\"/&gt;  <tr> <td>U-42</td> <td>"</td> <td>"</td> <td>V-675</td> <td>122</td> <td>1/2</td> <td>2900</td> <td>1\"/&gt;  <tr> <td>U-43</td> <td>"</td> <td>"</td> <td>V-675</td> <td>122</td> <td>1/2</td> <td>2900</td> <td>1\"/&gt;  <tr> <td>U-44</td> <td>"</td> <td>"</td> <td>V-675</td> <td>122</td> <td>1/2</td> <td>2900</td> <td>1\"/&gt;  <tr> <td>U-45</td> <td>"</td> <td>"</td> <td>V-675</td> <td>122</td> <td>1/2</td> <td>2900</td> <td>1\"/&gt;  <tr> <td>U-46</td> <td>"</td> <td>"</td> <td>V-675</td> <td>122</td> <td>1/2</td> <td>2900</td> <td>1\"/&gt;  <tr> <td>U-47</td> <td>"</td> <td>"</td> <td>V-675</td> <td>122</td> <td>1/2</td> <td>2900</td> <td>1\"/&gt;  <tr> <td>U-48</td> <td>"</td> <td>"</td> <td>V-675</td> <td>122</td> <td>1/2</td> <td>2900</td> <td>1\"/&gt;  <tr> <td>U-49</td> <td>"</td> <td>"</td> <td>V-675</td> <td>122</td> <td>1/2</td> <td>2900</td> <td>1\"/&gt;  <tr> <td>U-50</td> <td>"</td> <td>"</td> <td>V-675</td> <td>122</td> <td>1/2</td> <td>2900</td> <td>1\"/&gt;  </td></tr></td></tr></td></tr></td></tr></td></tr></td></tr></td></tr></td></tr></td></tr></td></tr></td></tr></td></tr></td></tr></td></tr></td></tr></td></tr></td></tr></td></tr></td></tr></td></tr></td></tr></td></tr></td></tr></td></tr></td></tr>  | U-26 | " | " | V-675 | 122 | 1/2 | 2900 | 1\"/> <tr> <td>U-27</td> <td>"</td> <td>"</td> <td>V-675</td> <td>122</td> <td>1/2</td> <td>2900</td> <td>1\"/&gt;  <tr> <td>U-28</td> <td>"</td> <td>"</td> <td>V-675</td> <td>122</td> <td>1/2</td> <td>2900</td> <td>1\"/&gt;  <tr> <td>U-29</td> <td>"</td> <td>"</td> <td>V-675</td> <td>122</td> <td>1/2</td> <td>2900</td> <td>1\"/&gt;  <tr> <td>U-30</td> <td>"</td> <td>"</td> <td>V-675</td> <td>122</td> <td>1/2</td> <td>2900</td> <td>1\"/&gt;  <tr> <td>U-31</td> <td>"</td> <td>"</td> <td>V-675</td> <td>122</td> <td>1/2</td> <td>2900</td> <td>1\"/&gt;  <tr> <td>U-32</td> <td>"</td> <td>"</td> <td>V-675</td> <td>122</td> <td>1/2</td> <td>2900</td> <td>1\"/&gt;  <tr> <td>U-33</td> <td>"</td> <td>"</td> <td>V-675</td> <td>122</td> <td>1/2</td> <td>2900</td> <td>1\"/&gt;  <tr> <td>U-34</td> <td>"</td> <td>"</td> <td>V-675</td> <td>122</td> <td>1/2</td> <td>2900</td> <td>1\"/&gt;  <tr> <td>U-35</td> <td>"</td> <td>"</td> <td>V-675</td> <td>122</td> <td>1/2</td> <td>2900</td> <td>1\"/&gt;  <tr> <td>U-36</td> <td>"</td> <td>"</td> <td>V-675</td> <td>122</td> <td>1/2</td> <td>2900</td> <td>1\"/&gt;  <tr> <td>U-37</td> <td>"</td> <td>"</td> <td>V-675</td> <td>122</td> <td>1/2</td> <td>2900</td> <td>1\"/&gt;  <tr> <td>U-38</td> <td>"</td> <td>"</td> <td>V-675</td> <td>122</td> <td>1/2</td> <td>2900</td> <td>1\"/&gt;  <tr> <td>U-39</td> <td>"</td>
<td>"</td> <td>V-675</td> <td>122</td> <td>1/2</td> <td>2900</td> <td>1\"/&gt;  <tr> <td>U-40</td> <td>"</td> <td>"</td> <td>V-675</td> <td>122</td> <td>1/2</td> <td>2900</td> <td>1\"/&gt;  <tr> <td>U-41</td> <td>"</td> <td>"</td> <td>V-675</td> <td>122</td> <td>1/2</td> <td>2900</td> <td>1\"/&gt;  <tr> <td>U-42</td> <td>"</td> <td>"</td> <td>V-675</td> <td>122</td> <td>1/2</td> <td>2900</td> <td>1\"/&gt;  <tr> <td>U-43</td> <td>"</td> <td>"</td> <td>V-675</td> <td>122</td> <td>1/2</td> <td>2900</td> <td>1\"/&gt;  <tr> <td>U-44</td> <td>"</td> <td>"</td> <td>V-675</td> <td>122</td> <td>1/2</td> <td>2900</td> <td>1\"/&gt;  <tr> <td>U-45</td> <td>"</td> <td>"</td> <td>V-675</td> <td>122</td> <td>1/2</td> <td>2900</td> <td>1\"/&gt;  <tr> <td>U-46</td> <td>"</td> <td>"</td> <td>V-675</td> <td>122</td> <td>1/2</td> <td>2900</td> <td>1\"/&gt;  <tr> <td>U-47</td> <td>"</td> <td>"</td> <td>V-675</td> <td>122</td> <td>1/2</td> <td>2900</td> <td>1\"/&gt;  <tr> <td>U-48</td> <td>"</td> <td>"</td> <td>V-675</td> <td>122</td> <td>1/2</td> <td>2900</td> <td>1\"/&gt;  <tr> <td>U-49</td> <td>"</td> <td>"</td> <td>V-675</td> <td>122</td> <td>1/2</td> <td>2900</td> <td>1\"/&gt;  <tr> <td>U-50</td> <td>"</td> <td>"</td> <td>V-675</td> <td>122</td> <td>1/2</td> <td>2900</td> <td>1\"/&gt;  </td></tr></td></tr></td></tr></td></tr></td></tr></td></tr></td></tr></td></tr></td></tr></td></tr></td></tr></td></tr></td></tr></td></tr></td></tr></td></tr></td></tr></td></tr></td></tr></td></tr></td></tr></td></tr></td></tr></td></tr>   | U-27 | " | " | V-675 | 122 | 1/2 | 2900 | 1\"/> <tr> <td>U-28</td> <td>"</td> <td>"</td> <td>V-675</td> <td>122</td> <td>1/2</td> <td>2900</td> <td>1\"/&gt;  <tr> <td>U-29</td> <td>"</td> <td>"</td> <td>V-675</td> <td>122</td> <td>1/2</td> <td>2900</td> <td>1\"/&gt;  <tr> <td>U-30</td> <td>"</td> <td>"</td> <td>V-675</td> <td>122</td> <td>1/2</td> <td>2900</td> <td>1\"/&gt;  <tr> <td>U-31</td> <td>"</td> <td>"</td> <td>V-675</td> <td>122</td> <td>1/2</td> <td>2900</td> <td>1\"/&gt;  <tr> <td>U-32</td> <td>"</td> <td>"</td> <td>V-675</td> <td>122</td> <td>1/2</td> <td>2900</td> <td>1\"/&gt;  <tr> <td>U-33</td> <td>"</td> <td>"</td> <td>V-675</td> <td>122</td> <td>1/2</td> <td>2900</td> <td>1\"/&gt;  <tr> <td>U-34</td> <td>"</td> <td>"</td> <td>V-675</td> <td>122</td> <td>1/2</td> <td>2900</td> <td>1\"/&gt;  <tr> <td>U-35</td> <td>"</td> <td>"</td> <td>V-675</td> <td>122</td> <td>1/2</td> <td>2900</td> <td>1\"/&gt;  <tr> <td>U-36</td> <td>"</td> <td>"</td> <td>V-675</td> <td>122</td> <td>1/2</td> <td>2900</td> <td>1\"/&gt;  <tr> <td>U-37</td> <td>"</td> <td>"</td> <td>V-675</td> <td>122</td> <td>1/2</td> <td>2900</td> <td>1\"/&gt;  <tr> <td>U-38</td> <td>"</td> <td>"</td> <td>V-675</td> <td>122</td> <td>1/2</td> <td>2900</td> <td>1\"/&gt;  <tr> <td>U-39</td> <td>"</td> <td>"</td> <td>V-675</td> <td>122</td> <td>1/2</td> <td>2900</td> <td>1\"/&gt;  <tr> <td>U-40</td> <td>"</td> <td>"</td> <td>V-675</td> <td>122</td> <td>1/2</td> <td>2900</td> <td>1\"/&gt;  <tr> <td>U-41</td> <td>"</td> <td>"</td> <td>V-675</td> <td>122</td> <td>1/2</td> <td>2900</td> <td>1\"/&gt;  <tr> <td>U-42</td> <td>"</td> <td>"</td> <td>V-675</td> <td>122</td> <td>1/2</td> <td>2900</td> <td>1\"/&gt;  <tr> <td>U-43</td> <td>"</td> <td>"</td> <td>V-675</td> <td>122</td> <td>1/2</td> <td>2900</td> <td>1\"/&gt;  <tr> <td>U-44</td> <td>"</td> <td>"</td> <td>V-675</td> <td>122</td> <td>1/2</td> <td>2900</td> <td>1\"/&gt;  <tr> <td>U-45</td> <td>"</td> <td>"</td> <td>V-675</td> <td>122</td> <td>1/2</td> <td>2900</td> <td>1\"/&gt;  <tr> <td>U-46</td> <td>"</td> <td>"</td> <td>V-675</td> <td>122</td> <td>1/2</td> <td>2900</td> <td>1\"/&gt;  <tr> <td>U-47</td> <td>"</td> <td>"</td> <td>V-675</td> <td>122</td> <td>1/2</td> <td>2900</td> <td>1\"/&gt;  <tr> <td>U-48</td> <td>"</td> <td>"</td> <td>V-675</td> <td>122</td> <td>1/2</td> <td>2900</td> <td>1\"/&gt;  <tr> <td>U-49</td> <td>"</td> <td>"</td> <td>V-675</td> <td>122</td> <td>1/2</td> <td>2900</td> <td>1\"/&gt;  <tr> <td>U-50</td> <td>"</td> <td>"</td> <td>V-675</td> <td>122</td> <td>1/2</td> <td>2900</td> <td>1\"/&gt;  </td></tr></td></tr></td></tr></td></tr></td></tr></td></tr></td></tr></td></tr></td></tr></td></tr></td></tr></td></tr></td></tr></td></tr></td></tr></td></tr></td></tr></td></tr></td></tr></td></tr></td></tr></td></tr></td></tr>   | U-28 | " | " | V-675 | 122 | 1/2 | 2900 | 1\"/> <tr> <td>U-29</td> <td>"</td> <td>"</td> <td>V-675</td> <td>122</td> <td>1/2</td> <td>2900</td> <td>1\"/&gt;  <tr> <td>U-30</td> <td>"</td> <td>"</td> <td>V-675</td> <td>122</td> <td>1/2</td> <td>2900</td> <td>1\"/&gt;  <tr> <td>U-31</td> <td>"</td> <td>"</td> <td>V-675</td> <td>122</td> <td>1/2</td> <td>2900</td> <td>1\"/&gt;  <tr> <td>U-32</td> <td>"</td> <td>"</td> <td>V-675</td> <td>122</td> <td>1/2</td> <td>2900</td> <td>1\"/&gt;  <tr> <td>U-33</td> <td>"</td> <td>"</td> <td>V-675</td> <td>122</td> <td>1/2</td> <td>2900</td> <td>1\"/&gt;  <tr> <td>U-34</td> <td>"</td> <td>"</td> <td>V-675</td> <td>122</td> <td>1/2</td> <td>2900</td> <td>1\"/&gt;  <tr> <td>U-35</td> <td>"</td> <td>"</td> <td>V-675</td> <td>122</td> <td>1/2</td> <td>2900</td> <td>1\"/&gt;  <tr> <td>U-36</td> <td>"</td> <td>"</td> <td>V-675</td> <td>122</td> <td>1/2</td> <td>2900</td> <td>1\"/&gt;  <tr> <td>U-37</td> <td>"</td> <td>"</td> <td>V-675</td> <td>122</td> <td>1/2</td> <td>2900</td> <td>1\"/&gt;  <tr> <td>U-38</td> <td>"</td> <td>"</td> <td>V-675</td> <td>122</td> <td>1/2</td> <td>2900</td> <td>1\"/&gt;  <tr> <td>U-39</td> <td>"</td> <td>"</td> <td>V-675</td> <td>122</td> <td>1/2</td> <td>2900</td> <td>1\"/&gt;  <tr> <td>U-40</td> <td>"</td> <td>"</td> <td>V-675</td> <td>122</td> <td>1/2</td> <td>2900</td> <td>1\"/&gt;  <tr> <td>U-41</td> <td>"</td> <td>"</td> <td>V-675</td> <td>122</td> <td>1/2</td> <td>2900</td> <td>1\"/&gt;  <tr> <td>U-42</td> <td>"</td> <td>"</td> <td>V-675</td> <td>122</td> <td>1/2</td> <td>2900</td>
<td>1\"/&gt;  <tr> <td>U-43</td> <td>"</td> <td>"</td> <td>V-675</td> <td>122</td> <td>1/2</td> <td>2900</td> <td>1\"/&gt;  <tr> <td>U-44</td> <td>"</td> <td>"</td> <td>V-675</td> <td>122</td> <td>1/2</td> <td>2900</td> <td>1\"/&gt;  <tr> <td>U-45</td> <td>"</td> <td>"</td> <td>V-675</td> <td>122</td> <td>1/2</td> <td>2900</td> <td>1\"/&gt;  <tr> <td>U-46</td> <td>"</td> <td>"</td> <td>V-675</td> <td>122</td> <td>1/2</td> <td>2900</td> <td>1\"/&gt;  <tr> <td>U-47</td> <td>"</td> <td>"</td> <td>V-675</td> <td>122</td> <td>1/2</td> <td>2900</td> <td>1\"/&gt;  <tr> <td>U-48</td> <td>"</td> <td>"</td> <td>V-675</td> <td>122</td> <td>1/2</td> <td>2900</td> <td>1\"/&gt;  <tr> <td>U-49</td> <td>"</td> <td>"</td> <td>V-675</td> <td>122</td> <td>1/2</td> <td>2900</td> <td>1\"/&gt;  <tr> <td>U-50</td> <td>"</td> <td>"</td> <td>V-675</td> <td>122</td> <td>1/2</td> <td>2900</td> <td>1\"/&gt;  </td></tr></td></tr></td></tr></td></tr></td></tr></td></tr></td></tr></td></tr></td></tr></td></tr></td></tr></td></tr></td></tr></td></tr></td></tr></td></tr></td></tr></td></tr></td></tr></td></tr></td></tr></td></tr>   | U-29 | " | " | V-675 | 122 | 1/2 | 2900 | 1\"/> <tr> <td>U-30</td> <td>"</td> <td>"</td> <td>V-675</td> <td>122</td> <td>1/2</td> <td>2900</td> <td>1\"/&gt;  <tr> <td>U-31</td> <td>"</td> <td>"</td> <td>V-675</td> <td>122</td> <td>1/2</td> <td>2900</td> <td>1\"/&gt;  <tr> <td>U-32</td> <td>"</td> <td>"</td> <td>V-675</td> <td>122</td> <td>1/2</td> <td>2900</td> <td>1\"/&gt;  <tr> <td>U-33</td> <td>"</td> <td>"</td> <td>V-675</td> <td>122</td> <td>1/2</td> <td>2900</td> <td>1\"/&gt;  <tr> <td>U-34</td> <td>"</td> <td>"</td> <td>V-675</td> <td>122</td> <td>1/2</td> <td>2900</td> <td>1\"/&gt;  <tr> <td>U-35</td> <td>"</td> <td>"</td> <td>V-675</td> <td>122</td> <td>1/2</td> <td>2900</td> <td>1\"/&gt;  <tr> <td>U-36</td> <td>"</td> <td>"</td> <td>V-675</td> <td>122</td> <td>1/2</td> <td>2900</td> <td>1\"/&gt;  <tr> <td>U-37</td> <td>"</td> <td>"</td> <td>V-675</td> <td>122</td> <td>1/2</td> <td>2900</td> <td>1\"/&gt;  <tr> <td>U-38</td> <td>"</td> <td>"</td> <td>V-675</td> <td>122</td> <td>1/2</td> <td>2900</td> <td>1\"/&gt;  <tr> <td>U-39</td> <td>"</td> <td>"</td> <td>V-675</td> <td>122</td> <td>1/2</td> <td>2900</td> <td>1\"/&gt;  <tr> <td>U-40</td> <td>"</td> <td>"</td> <td>V-675</td> <td>122</td> <td>1/2</td> <td>2900</td> <td>1\"/&gt;  <tr> <td>U-41</td> <td>"</td> <td>"</td> <td>V-675</td> <td>122</td> <td>1/2</td> <td>2900</td> <td>1\"/&gt;  <tr> <td>U-42</td> <td>"</td> <td>"</td> <td>V-675</td> <td>122</td> <td>1/2</td> <td>2900</td> <td>1\"/&gt;  <tr> <td>U-43</td> <td>"</td> <td>"</td> <td>V-675</td> <td>122</td> <td>1/2</td> <td>2900</td> <td>1\"/&gt;  <tr> <td>U-44</td> <td>"</td> <td>"</td> <td>V-675</td> <td>122</td> <td>1/2</td> <td>2900</td> <td>1\"/&gt;  <tr> <td>U-45</td> <td>"</td> <td>"</td> <td>V-675</td> <td>122</td> <td>1/2</td> <td>2900</td> <td>1\"/&gt;  <tr> <td>U-46</td> <td>"</td> <td>"</td> <td>V-675</td> <td>122</td> <td>1/2</td> <td>2900</td> <td>1\"/&gt;  <tr> <td>U-47</td> <td>"</td> <td>"</td> <td>V-675</td> <td>122</td> <td>1/2</td> <td>2900</td> <td>1\"/&gt;  <tr> <td>U-48</td> <td>"</td> <td>"</td> <td>V-675</td> <td>122</td> <td>1/2</td> <td>2900</td> <td>1\"/&gt;  <tr> <td>U-49</td> <td>"</td> <td>"</td> <td>V-675</td> <td>122</td> <td>1/2</td> <td>2900</td> <td>1\"/&gt;  <tr> <td>U-50</td> <td>"</td> <td>"</td> <td>V-675</td> <td>122</td> <td>1/2</td> <td>2900</td> <td>1\"/&gt;  </td></tr></td></tr></td></tr></td></tr></td></tr></td></tr></td></tr></td></tr></td></tr></td></tr></td></tr></td></tr></td></tr></td></tr></td></tr></td></tr></td></tr></td></tr></td></tr></td></tr></td></tr>   | U-30 | " | " | V-675 | 122 | 1/2 | 2900 | 1\"/> <tr> <td>U-31</td> <td>"</td> <td>"</td> <td>V-675</td> <td>122</td> <td>1/2</td> <td>2900</td> <td>1\"/&gt;  <tr> <td>U-32</td> <td>"</td> <td>"</td> <td>V-675</td> <td>122</td> <td>1/2</td> <td>2900</td> <td>1\"/&gt;  <tr> <td>U-33</td> <td>"</td> <td>"</td> <td>V-675</td> <td>122</td> <td>1/2</td> <td>2900</td> <td>1\"/&gt;  <tr> <td>U-34</td> <td>"</td> <td>"</td> <td>V-675</td> <td>122</td> <td>1/2</td> <td>2900</td> <td>1\"/&gt;  <tr> <td>U-35</td> <td>"</td> <td>"</td> <td>V-675</td> <td>122</td> <td>1/2</td> <td>2900</td> <td>1\"/&gt;  <tr> <td>U-36</td> <td>"</td> <td>"</td> <td>V-675</td> <td>122</td> <td>1/2</td> <td>2900</td> <td>1\"/&gt;  <tr> <td>U-37</td> <td>"</td> <td>"</td> <td>V-675</td> <td>122</td> <td>1/2</td> <td>2900</td> <td>1\"/&gt;  <tr> <td>U-38</td> <td>"</td> <td>"</td> <td>V-675</td> <td>122</td> <td>1/2</td> <td>2900</td> <td>1\"/&gt;  <tr> <td>U-39</td> <td>"</td> <td>"</td> <td>V-675</td> <td>122</td> <td>1/2</td> <td>2900</td> <td>1\"/&gt;  <tr> <td>U-40</td> <td>"</td> <td>"</td> <td>V-675</td> <td>122</td> <td>1/2</td> <td>2900</td> <td>1\"/&gt;  <tr> <td>U-41</td> <td>"</td> <td>"</td> <td>V-675</td> <td>122</td> <td>1/2</td> <td>2900</td> <td>1\"/&gt;  <tr> <td>U-42</td> <td>"</td> <td>"</td> <td>V-675</td> <td>122</td> <td>1/2</td> <td>2900</td> <td>1\"/&gt;  <tr> <td>U-43</td> <td>"</td> <td>"</td> <td>V-675</td> <td>122</td> <td>1/2</td> <td>2900</td> <td>1\"/&gt;  <tr> <td>U-44</td> <td>"</td> <td>"</td> <td>V-675</td> <td>122</td> <td>1/2</td> <td>2900</td> <td>1\"/&gt;  <tr> <td>U-45</td> <td>"</td> <td>"</td> <td>V-675</td> <td>122</td> <td>1/2</td> <td>2900</td> <td>1\"/&gt;  <tr> <td>U-46</td> <td>"</td> <td>"</td> <td>V-675</td> <td>122</td> <td>1/2</td> <td>2900</td> <td>1\"/&gt;  <tr> <td>U-47</td> <td>"</td> <td>"</td> <td>V-675</td> <td>122</td> <td>1/2</td> <td>2900</td> <td>1\"/&gt;  <tr> <td>U-48</td> <td>"</td> <td>"</td> <td>V-675</td> <td>122</td> <td>1/2</td> <td>2900</td> <td>1\"/&gt;  <tr> <td>U-49</td> <td>"</td> <td>"</td> <td>V-675</td> <td>122</td> <td>1/2</td> <td>2900</td> <td>1\"/&gt;  <tr> <td>U-50</td> <td>"</td> <td>"</td> <td>V-675</td> <td>122</td> <td>1/2</td>
<td>2900</td> <td>1\"/&gt;  </td></tr></td></tr></td></tr></td></tr></td></tr></td></tr></td></tr></td></tr></td></tr></td></tr></td></tr></td></tr></td></tr></td></tr></td></tr></td></tr></td></tr></td></tr></td></tr></td></tr>   | U-31 | " | " | V-675 | 122 | 1/2 | 2900 | 1\"/> <tr> <td>U-32</td> <td>"</td> <td>"</td> <td>V-675</td> <td>122</td> <td>1/2</td> <td>2900</td> <td>1\"/&gt;  <tr> <td>U-33</td> <td>"</td> <td>"</td> <td>V-675</td> <td>122</td> <td>1/2</td> <td>2900</td> <td>1\"/&gt;  <tr> <td>U-34</td> <td>"</td> <td>"</td> <td>V-675</td> <td>122</td> <td>1/2</td> <td>2900</td> <td>1\"/&gt;  <tr> <td>U-35</td> <td>"</td> <td>"</td> <td>V-675</td> <td>122</td> <td>1/2</td> <td>2900</td> <td>1\"/&gt;  <tr> <td>U-36</td> <td>"</td> <td>"</td> <td>V-675</td> <td>122</td> <td>1/2</td> <td>2900</td> <td>1\"/&gt;  <tr> <td>U-37</td> <td>"</td> <td>"</td> <td>V-675</td> <td>122</td> <td>1/2</td> <td>2900</td> <td>1\"/&gt;  <tr> <td>U-38</td> <td>"</td> <td>"</td> <td>V-675</td> <td>122</td> <td>1/2</td> <td>2900</td> <td>1\"/&gt;  <tr> <td>U-39</td> <td>"</td> <td>"</td> <td>V-675</td> <td>122</td> <td>1/2</td> <td>2900</td> <td>1\"/&gt;  <tr> <td>U-40</td> <td>"</td> <td>"</td> <td>V-675</td> <td>122</td> <td>1/2</td> <td>2900</td> <td>1\"/&gt;  <tr> <td>U-41</td> <td>"</td> <td>"</td> <td>V-675</td> <td>122</td> <td>1/2</td> <td>2900</td> <td>1\"/&gt;  <tr> <td>U-42</td> <td>"</td> <td>"</td> <td>V-675</td> <td>122</td> <td>1/2</td> <td>2900</td> <td>1\"/&gt;  <tr> <td>U-43</td> <td>"</td> <td>"</td> <td>V-675</td> <td>122</td> <td>1/2</td> <td>2900</td> <td>1\"/&gt;  <tr> <td>U-44</td> <td>"</td> <td>"</td> <td>V-675</td> <td>122</td> <td>1/2</td> <td>2900</td> <td>1\"/&gt;  <tr> <td>U-45</td> <td>"</td> <td>"</td> <td>V-675</td> <td>122</td> <td>1/2</td> <td>2900</td> <td>1\"/&gt;  <tr> <td>U-46</td> <td>"</td> <td>"</td> <td>V-675</td> <td>122</td> <td>1/2</td> <td>2900</td> <td>1\"/&gt;  <tr> <td>U-47</td> <td>"</td> <td>"</td> <td>V-675</td> <td>122</td> <td>1/2</td> <td>2900</td> <td>1\"/&gt;  <tr> <td>U-48</td> <td>"</td> <td>"</td> <td>V-675</td> <td>122</td> <td>1/2</td> <td>2900</td> <td>1\"/&gt;  <tr> <td>U-49</td> <td>"</td> <td>"</td> <td>V-675</td> <td>122</td> <td>1/2</td> <td>2900</td> <td>1\"/&gt;  <tr> <td>U-50</td> <td>"</td> <td>"</td> <td>V-675</td> <td>122</td> <td>1/2</td> <td>2900</td> <td>1\"/&gt;  </td></tr></td></tr></td></tr></td></tr></td></tr></td></tr></td></tr></td></tr></td></tr></td></tr></td></tr></td></tr></td></tr></td></tr></td></tr></td></tr></td></tr></td></tr></td></tr>   | U-32 | " | " | V-675 | 122 | 1/2 | 2900 | 1\"/> <tr> <td>U-33</td> <td>"</td> <td>"</td> <td>V-675</td> <td>122</td> <td>1/2</td> <td>2900</td> <td>1\"/&gt;  <tr> <td>U-34</td> <td>"</td> <td>"</td> <td>V-675</td> <td>122</td> <td>1/2</td> <td>2900</td> <td>1\"/&gt;  <tr> <td>U-35</td> <td>"</td> <td>"</td> <td>V-675</td> <td>122</td> <td>1/2</td> <td>2900</td> <td>1\"/&gt;  <tr> <td>U-36</td> <td>"</td> <td>"</td> <td>V-675</td> <td>122</td> <td>1/2</td> <td>2900</td> <td>1\"/&gt;  <tr> <td>U-37</td> <td>"</td> <td>"</td> <td>V-675</td> <td>122</td> <td>1/2</td> <td>2900</td> <td>1\"/&gt;  <tr> <td>U-38</td> <td>"</td> <td>"</td> <td>V-675</td> <td>122</td> <td>1/2</td> <td>2900</td> <td>1\"/&gt;  <tr> <td>U-39</td> <td>"</td> <td>"</td> <td>V-675</td> <td>122</td> <td>1/2</td> <td>2900</td> <td>1\"/&gt;  <tr> <td>U-40</td> <td>"</td> <td>"</td> <td>V-675</td> <td>122</td> <td>1/2</td> <td>2900</td> <td>1\"/&gt;  <tr> <td>U-41</td> <td>"</td> <td>"</td> <td>V-675</td> <td>122</td> <td>1/2</td> <td>2900</td> <td>1\"/&gt;  <tr> <td>U-42</td> <td>"</td> <td>"</td> <td>V-675</td> <td>122</td> <td>1/2</td> <td>2900</td> <td>1\"/&gt;  <tr> <td>U-43</td> <td>"</td> <td>"</td> <td>V-675</td> <td>122</td> <td>1/2</td> <td>2900</td> <td>1\"/&gt;  <tr> <td>U-44</td> <td>"</td> <td>"</td> <td>V-675</td> <td>122</td> <td>1/2</td> <td>2900</td> <td>1\"/&gt;  <tr> <td>U-45</td> <td>"</td> <td>"</td> <td>V-675</td> <td>122</td> <td>1/2</td> <td>2900</td> <td>1\"/&gt;  <tr> <td>U-46</td> <td>"</td> <td>"</td> <td>V-675</td> <td>122</td> <td>1/2</td> <td>2900</td> <td>1\"/&gt;  <tr> <td>U-47</td> <td>"</td> <td>"</td> <td>V-675</td> <td>122</td> <td>1/2</td> <td>2900</td> <td>1\"/&gt;  <tr> <td>U-48</td> <td>"</td> <td>"</td> <td>V-675</td> <td>122</td> <td>1/2</td> <td>2900</td> <td>1\"/&gt;  <tr> <td>U-49</td> <td>"</td> <td>"</td> <td>V-675</td> <td>122</td> <td>1/2</td> <td>2900</td> <td>1\"/&gt;  <tr> <td>U-50</td> <td>"</td> <td>"</td> <td>V-675</td> <td>122</td> <td>1/2</td> <td>2900</td> <td>1\"/&gt;  </td></tr></td></tr></td></tr></td></tr></td></tr></td></tr></td></tr></td></tr></td></tr></td></tr></td></tr></td></tr></td></tr></td></tr></td></tr></td></tr></td></tr></td></tr>   
   | U-33 | " | " | V-675 | 122 | 1/2 | 2900 | 1\"/> <tr> <td>U-34</td> <td>"</td> <td>"</td> <td>V-675</td> <td>122</td> <td>1/2</td> <td>2900</td> <td>1\"/&gt;  <tr> <td>U-35</td> <td>"</td> <td>"</td> <td>V-675</td> <td>122</td> <td>1/2</td> <td>2900</td> <td>1\"/&gt;  <tr> <td>U-36</td> <td>"</td> <td>"</td> <td>V-675</td> <td>122</td> <td>1/2</td> <td>2900</td> <td>1\"/&gt;  <tr> <td>U-37</td> <td>"</td> <td>"</td> <td>V-675</td> <td>122</td> <td>1/2</td> <td>2900</td> <td>1\"/&gt;  <tr> <td>U-38</td> <td>"</td> <td>"</td> <td>V-675</td> <td>122</td> <td>1/2</td> <td>2900</td> <td>1\"/&gt;  <tr> <td>U-39</td> <td>"</td> <td>"</td> <td>V-675</td> <td>122</td> <td>1/2</td> <td>2900</td> <td>1\"/&gt;  <tr> <td>U-40</td> <td>"</td> <td>"</td> <td>V-675</td> <td>122</td> <td>1/2</td> <td>2900</td> <td>1\"/&gt;  <tr> <td>U-41</td> <td>"</td> <td>"</td> <td>V-675</td> <td>122</td> <td>1/2</td> <td>2900</td> <td>1\"/&gt;  <tr> <td>U-42</td> <td>"</td> <td>"</td> <td>V-675</td> <td>122</td> <td>1/2</td> <td>2900</td> <td>1\"/&gt;  <tr> <td>U-43</td> <td>"</td> <td>"</td> <td>V-675</td> <td>122</td> <td>1/2</td> <td>2900</td> <td>1\"/&gt;  <tr> <td>U-44</td> <td>"</td> <td>"</td> <td>V-675</td> <td>122</td> <td>1/2</td> <td>2900</td> <td>1\"/&gt;  <tr> <td>U-45</td> <td>"</td> <td>"</td> <td>V-675</td> <td>122</td> <td>1/2</td> <td>2900</td> <td>1\"/&gt;  <tr> <td>U-46</td> <td>"</td> <td>"</td> <td>V-675</td> <td>122</td> <td>1/2</td> <td>2900</td> <td>1\"/&gt;  <tr> <td>U-47</td> <td>"</td> <td>"</td> <td>V-675</td> <td>122</td> <td>1/2</td> <td>2900</td> <td>1\"/&gt;  <tr> <td>U-48</td> <td>"</td> <td>"</td> <td>V-675</td> <td>122</td> <td>1/2</td> <td>2900</td> <td>1\"/&gt;  <tr> <td>U-49</td> <td>"</td> <td>"</td> <td>V-675</td> <td>122</td> <td>1/2</td> <td>2900</td> <td>1\"/&gt;  <tr> <td>U-50</td> <td>"</td> <td>"</td> <td>V-675</td> <td>122</td> <td>1/2</td> <td>2900</td> <td>1\"/&gt;  </td></tr></td></tr></td></tr></td></tr></td></tr></td></tr></td></tr></td></tr></td></tr></td></tr></td></tr></td></tr></td></tr></td></tr></td></tr></td></tr></td></tr>   | U-34 | " | " | V-675 | 122 | 1/2 | 2900 | 1\"/> <tr> <td>U-35</td> <td>"</td> <td>"</td> <td>V-675</td> <td>122</td> <td>1/2</td> <td>2900</td> <td>1\"/&gt;  <tr> <td>U-36</td> <td>"</td> <td>"</td> <td>V-675</td> <td>122</td> <td>1/2</td> <td>2900</td> <td>1\"/&gt;  <tr> <td>U-37</td> <td>"</td> <td>"</td> <td>V-675</td> <td>122</td> <td>1/2</td> <td>2900</td> <td>1\"/&gt;  <tr> <td>U-38</td> <td>"</td> <td>"</td> <td>V-675</td> <td>122</td> <td>1/2</td> <td>2900</td> <td>1\"/&gt;  <tr> <td>U-39</td> <td>"</td> <td>"</td> <td>V-675</td> <td>122</td> <td>1/2</td> <td>2900</td> <td>1\"/&gt;  <tr> <td>U-40</td> <td>"</td> <td>"</td> <td>V-675</td> <td>122</td> <td>1/2</td> <td>2900</td> <td>1\"/&gt;  <tr> <td>U-41</td> <td>"</td> <td>"</td> <td>V-675</td> <td>122</td> <td>1/2</td> <td>2900</td> <td>1\"/&gt;  <tr> <td>U-42</td> <td>"</td> <td>"</td> <td>V-675</td> <td>122</td> <td>1/2</td> <td>2900</td> <td>1\"/&gt;  <tr> <td>U-43</td> <td>"</td> <td>"</td> <td>V-675</td> <td>122</td> <td>1/2</td> <td>2900</td> <td>1\"/&gt;  <tr> <td>U-44</td> <td>"</td> <td>"</td> <td>V-675</td> <td>122</td> <td>1/2</td> <td>2900</td> <td>1\"/&gt;  <tr> <td>U-45</td> <td>"</td> <td>"</td> <td>V-675</td> <td>122</td> <td>1/2</td> <td>2900</td> <td>1\"/&gt;  <tr> <td>U-46</td> <td>"</td> <td>"</td> <td>V-675</td> <td>122</td> <td>1/2</td> <td>2900</td> <td>1\"/&gt;  <tr> <td>U-47</td> <td>"</td> <td>"</td> <td>V-675</td> <td>122</td> <td>1/2</td> <td>2900</td> <td>1\"/&gt;  <tr> <td>U-48</td> <td>"</td> <td>"</td> <td>V-675</td> <td>122</td> <td>1/2</td> <td>2900</td> <td>1\"/&gt;  <tr> <td>U-49</td> <td>"</td> <td>"</td> <td>V-675</td> <td>122</td> <td>1/2</td> <td>2900</td> <td>1\"/&gt;  <tr> <td>U-50</td> <td>"</td> <td>"</td> <td>V-675</td> <td>122</td> <td>1/2</td> <td>2900</td> <td>1\"/&gt;  </td></tr></td></tr></td></tr></td></tr></td></tr></td></tr></td></tr></td></tr></td></tr></td></tr></td></tr></td></tr></td></tr></td></tr></td></tr></td></tr>   | U-35 | " | " | V-675 | 122 | 1/2 | 2900 | 1\"/> <tr> <td>U-36</td> <td>"</td> <td>"</td> <td>V-675</td> <td>122</td> <td>1/2</td> <td>2900</td> <td>1\"/&gt;  <tr> <td>U-37</td> <td>"</td> <td>"</td> <td>V-675</td> <td>122</td> <td>1/2</td> <td>2900</td> <td>1\"/&gt;  <tr> <td>U-38</td> <td>"</td> <td>"</td> <td>V-675</td> <td>122</td> <td>1/2</td> <td>2900</td> <td>1\"/&gt;  <tr> <td>U-39</td> <td>"</td> <td>"</td> <td>V-675</td> <td>122</td> <td>1/2</td> <td>2900</td> <td>1\"/&gt;  <tr> <td>U-40</td> <td>"</td> <td>"</td> <td>V-675</td> <td>122</td> <td>1/2</td> <td>2900</td> <td>1\"/&gt;  <tr> <td>U-41</td> <td>"</td> <td>"</td> <td>V-675</td> <td>122</td> <td>1/2</td> <td>2900</td> <td>1\"/&gt;  <tr> <td>U-42</td> <td>"</td> <td>"</td> <td>V-675</td> <td>122</td> <td>1/2</td> <td>2900</td> <td>1\"/&gt;  <tr> <td>U-43</td> <td>"</td> <td>"</td> <td>V-675</td> <td>122</td> <td>1/2</td> <td>2900</td> <td>1\"/&gt;  <tr> <td>U-44</td> <td>"</td>
<td>"</td> <td>V-675</td> <td>122</td> <td>1/2</td> <td>2900</td> <td>1\"/&gt;  <tr> <td>U-45</td> <td>"</td> <td>"</td> <td>V-675</td> <td>122</td> <td>1/2</td> <td>2900</td> <td>1\"/&gt;  <tr> <td>U-46</td> <td>"</td> <td>"</td> <td>V-675</td> <td>122</td> <td>1/2</td> <td>2900</td> <td>1\"/&gt;  <tr> <td>U-47</td> <td>"</td> <td>"</td> <td>V-675</td> <td>122</td> <td>1/2</td> <td>2900</td> <td>1\"/&gt;  <tr> <td>U-48</td> <td>"</td> <td>"</td> <td>V-675</td> <td>122</td> <td>1/2</td> <td>2900</td> <td>1\"/&gt;  <tr> <td>U-49</td> <td>"</td> <td>"</td> <td>V-675</td> <td>122</td> <td>1/2</td> <td>2900</td> <td>1\"/&gt;  <tr> <td>U-50</td> <td>"</td> <td>"</td> <td>V-675</td> <td>122</td> <td>1/2</td> <td>2900</td> <td>1\"/&gt;  </td></tr></td></tr></td></tr></td></tr></td></tr></td></tr></td></tr></td></tr></td></tr></td></tr></td></tr></td></tr></td></tr></td></tr></td></tr>   | U-36 | " | " | V-675 | 122 | 1/2 | 2900 | 1\"/> <tr> <td>U-37</td> <td>"</td> <td>"</td> <td>V-675</td> <td>122</td> <td>1/2</td> <td>2900</td> <td>1\"/&gt;  <tr> <td>U-38</td> <td>"</td> <td>"</td> <td>V-675</td> <td>122</td> <td>1/2</td> <td>2900</td> <td>1\"/&gt;  <tr> <td>U-39</td> <td>"</td> <td>"</td> <td>V-675</td> <td>122</td> <td>1/2</td> <td>2900</td> <td>1\"/&gt;  <tr> <td>U-40</td> <td>"</td> <td>"</td> <td>V-675</td> <td>122</td> <td>1/2</td> <td>2900</td> <td>1\"/&gt;  <tr> <td>U-41</td> <td>"</td> <td>"</td> <td>V-675</td> <td>122</td> <td>1/2</td> <td>2900</td> <td>1\"/&gt;  <tr> <td>U-42</td> <td>"</td> <td>"</td> <td>V-675</td> <td>122</td> <td>1/2</td> <td>2900</td> <td>1\"/&gt;  <tr> <td>U-43</td> <td>"</td> <td>"</td> <td>V-675</td> <td>122</td> <td>1/2</td> <td>2900</td> <td>1\"/&gt;  <tr> <td>U-44</td> <td>"</td> <td>"</td> <td>V-675</td> <td>122</td> <td>1/2</td> <td>2900</td> <td>1\"/&gt;  <tr> <td>U-45</td> <td>"</td> <td>"</td> <td>V-675</td> <td>122</td> <td>1/2</td> <td>2900</td> <td>1\"/&gt;  <tr> <td>U-46</td> <td>"</td> <td>"</td> <td>V-675</td> <td>122</td> <td>1/2</td> <td>2900</td> <td>1\"/&gt;  <tr> <td>U-47</td> <td>"</td> <td>"</td> <td>V-675</td> <td>122</td> <td>1/2</td> <td>2900</td> <td>1\"/&gt;  <tr> <td>U-48</td> <td>"</td> <td>"</td> <td>V-675</td> <td>122</td> <td>1/2</td> <td>2900</td> <td>1\"/&gt;  <tr> <td>U-49</td> <td>"</td> <td>"</td> <td>V-675</td> <td>122</td> <td>1/2</td> <td>2900</td> <td>1\"/&gt;  <tr> <td>U-50</td> <td>"</td> <td>"</td> <td>V-675</td> <td>122</td> <td>1/2</td> <td>2900</td> <td>1\"/&gt;  </td></tr></td></tr></td></tr></td></tr></td></tr></td></tr></td></tr></td></tr></td></tr></td></tr></td></tr></td></tr></td></tr></td></tr>   | U-37 | " | " | V-675 | 122 | 1/2 | 2900 | 1\"/> <tr> <td>U-38</td> <td>"</td> <td>"</td> <td>V-675</td> <td>122</td> <td>1/2</td> <td>2900</td> <td>1\"/&gt;  <tr> <td>U-39</td> <td>"</td> <td>"</td> <td>V-675</td> <td>122</td> <td>1/2</td> <td>2900</td> <td>1\"/&gt;  <tr> <td>U-40</td> <td>"</td> <td>"</td> <td>V-675</td> <td>122</td> <td>1/2</td> <td>2900</td> <td>1\"/&gt;  <tr> <td>U-41</td> <td>"</td> <td>"</td> <td>V-675</td> <td>122</td> <td>1/2</td> <td>2900</td> <td>1\"/&gt;  <tr> <td>U-42</td> <td>"</td> <td>"</td> <td>V-675</td> <td>122</td> <td>1/2</td> <td>2900</td> <td>1\"/&gt;  <tr> <td>U-43</td> <td>"</td> <td>"</td> <td>V-675</td> <td>122</td> <td>1/2</td> <td>2900</td> <td>1\"/&gt;  <tr> <td>U-44</td> <td>"</td> <td>"</td> <td>V-675</td> <td>122</td> <td>1/2</td> <td>2900</td> <td>1\"/&gt;  <tr> <td>U-45</td> <td>"</td> <td>"</td> <td>V-675</td> <td>122</td> <td>1/2</td> <td>2900</td> <td>1\"/&gt;  <tr> <td>U-46</td> <td>"</td> <td>"</td> <td>V-675</td> <td>122</td> <td>1/2</td> <td>2900</td> <td>1\"/&gt;  <tr> <td>U-47</td> <td>"</td> <td>"</td> <td>V-675</td> <td>122</td> <td>1/2</td> <td>2900</td> <td>1\"/&gt;  <tr> <td>U-48</td> <td>"</td> <td>"</td> <td>V-675</td> <td>122</td> <td>1/2</td> <td>2900</td> <td>1\"/&gt;  <tr> <td>U-49</td> <td>"</td> <td>"</td> <td>V-675</td> <td>122</td> <td>1/2</td> <td>2900</td> <td>1\"/&gt;  <tr> <td>U-50</td> <td>"</td> <td>"</td> <td>V-675</td> <td>122</td> <td>1/2</td> <td>2900</td> <td>1\"/&gt;  </td></tr></td></tr></td></tr></td></tr></td></tr></td></tr></td></tr></td></tr></td></tr></td></tr></td></tr></td></tr></td></tr>   
   | U-38 | " | " | V-675 | 122 | 1/2 | 2900 | 1\"/> <tr> <td>U-39</td> <td>"</td> <td>"</td> <td>V-675</td> <td>122</td> <td>1/2</td> <td>2900</td> <td>1\"/&gt;  <tr> <td>U-40</td> <td>"</td> <td>"</td> <td>V-675</td> <td>122</td> <td>1/2</td> <td>2900</td> <td>1\"/&gt;  <tr> <td>U-41</td> <td>"</td> <td>"</td> <td>V-675</td> <td>122</td> <td>1/2</td> <td>2900</td> <td>1\"/&gt;  <tr> <td>U-42</td> <td>"</td> <td>"</td> <td>V-675</td> <td>122</td> <td>1/2</td> <td>2900</td> <td>1\"/&gt;  <tr> <td>U-43</td> <td>"</td> <td>"</td> <td>V-675</td> <td>122</td> <td>1/2</td> <td>2900</td> <td>1\"/&gt;  <tr> <td>U-44</td> <td>"</td> <td>"</td> <td>V-675</td> <td>122</td> <td>1/2</td> <td>2900</td> <td>1\"/&gt;  <tr> <td>U-45</td> <td>"</td> <td>"</td> <td>V-675</td> <td>122</td> <td>1/2</td> <td>2900</td> <td>1\"/&gt;  <tr> <td>U-46</td> <td>"</td> <td>"</td> <td>V-675</td> <td>122</td> <td>1/2</td> <td>2900</td> <td>1\"/&gt;  <tr> <td>U-47</td> <td>"</td> <td>"</td> <td>V-675</td> <td>122</td> <td>1/2</td> <td>2900</td> <td>1\"/&gt;  <tr> <td>U-48</td> <td>"</td> <td>"</td> <td>V-675</td> <td>122</td> <td>1/2</td> <td>2900</td> <td>1\"/&gt;  <tr> <td>U-49</td> <td>"</td> <td>"</td> <td>V-675</td> <td>122</td> <td>1/2</td> <td>2900</td> <td>1\"/&gt;  <tr> <td>U-50</td> <td>"</td> <td>"</td> <td>V-675</td> <td>122</td> <td>1/2</td> <td>2900</td> <td>1\"/&gt;  </td></tr></td></tr></td></tr></td></tr></td></tr></td></tr></td></tr></td></tr></td></tr></td></tr></td></tr></td></tr>   | U-39 | " | " | V-675 | 122 | 1/2 | 2900 | 1\"/> <tr> <td>U-40</td> <td>"</td> <td>"</td> <td>V-675</td> <td>122</td> <td>1/2</td> <td>2900</td> <td>1\"/&gt;  <tr> <td>U-41</td> <td>"</td> <td>"</td> <td>V-675</td> <td>122</td> <td>1/2</td> <td>2900</td> <td>1\"/&gt;  <tr> <td>U-42</td> <td>"</td> <td>"</td> <td>V-675</td> <td>122</td> <td>1/2</td> <td>2900</td> <td>1\"/&gt;  <tr> <td>U-43</td> <td>"</td> <td>"</td> <td>V-675</td> <td>122</td> <td>1/2</td> <td>2900</td> <td>1\"/&gt;  <tr> <td>U-44</td> <td>"</td> <td>"</td> <td>V-675</td> <td>122</td> <td>1/2</td> <td>2900</td> <td>1\"/&gt;  <tr> <td>U-45</td> <td>"</td> <td>"</td> <td>V-675</td> <td>122</td> <td>1/2</td> <td>2900</td> <td>1\"/&gt;  <tr> <td>U-46</td> <td>"</td> <td>"</td> <td>V-675</td> <td>122</td> <td>1/2</td> <td>2900</td> <td>1\"/&gt;  <tr> <td>U-47</td> <td>"</td> <td>"</td> <td>V-675</td> <td>122</td> <td>1/2</td> <td>2900</td> <td>1\"/&gt;  <tr> <td>U-48</td> <td>"</td> <td>"</td> <td>V-675</td> <td>122</td> <td>1/2</td> <td>2900</td> <td>1\"/&gt;  <tr> <td>U-49</td> <td>"</td> <td>"</td> <td>V-675</td> <td>122</td> <td>1/2</td> <td>2900</td> <td>1\"/&gt;  <tr> <td>U-50</td> <td>"</td> <td>"</td> <td>V-675</td> <td>122</td> <td>1/2</td> <td>2900</td> <td>1\"/&gt;  </td></tr></td></tr></td></tr></td></tr></td></tr></td></tr></td></tr></td></tr></td></tr></td></tr></td></tr>   | U-40 | " | " | V-675 | 122 | 1/2 | 2900 | 1\"/> <tr> <td>U-41</td> <td>"</td> <td>"</td> <td>V-675</td> <td>122</td> <td>1/2</td> <td>2900</td> <td>1\"/&gt;  <tr> <td>U-42</td> <td>"</td> <td>"</td> <td>V-675</td> <td>122</td> <td>1/2</td> <td>2900</td> <td>1\"/&gt;  <tr> <td>U-43</td> <td>"</td> <td>"</td> <td>V-675</td> <td>122</td> <td>1/2</td> <td>2900</td> <td>1\"/&gt;  <tr> <td>U-44</td> <td>"</td> <td>"</td> <td>V-675</td> <td>122</td> <td>1/2</td> <td>2900</td> <td>1\"/&gt;  <tr> <td>U-45</td> <td>"</td> <td>"</td> <td>V-675</td> <td>122</td> <td>1/2</td> <td>2900</td> <td>1\"/&gt;  <tr> <td>U-46</td> <td>"</td> <td>"</td> <td>V-675</td> <td>122</td> <td>1/2</td> <td>2900</td> <td>1\"/&gt;  <tr> <td>U-47</td> <td>"</td> <td>"</td> <td>V-675</td> <td>122</td> <td>1/2</td> <td>2900</td> <td>1\"/&gt;  <tr> <td>U-48</td> <td>"</td> <td>"</td> <td>V-675</td> <td>122</td> <td>1/2</td> <td>2900</td> <td>1\"/&gt;  <tr> <td>U-49</td> <td>"</td> <td>"</td> <td>V-675</td> <td>122</td> <td>1/2</td> <td>2900</td> <td>1\"/&gt;  <tr> <td>U-50</td> <td>"</td> <td>"</td> <td>V-675</td> <td>122</td> <td>1/2</td> <td>2900</td> <td>1\"/&gt;  </td></tr></td></tr></td></tr></td></tr></td></tr></td></tr></td></tr></td></tr></td></tr></td></tr>  
  | U-41 | " | " | V-675 | 122 | 1/2 | 2900 | 1\"/> <tr> <td>U-42</td> <td>"</td> <td>"</td> <td>V-675</td> <td>122</td> <td>1/2</td> <td>2900</td> <td>1\"/&gt;  <tr> <td>U-43</td> <td>"</td> <td>"</td> <td>V-675</td> <td>122</td> <td>1/2</td> <td>2900</td> <td>1\"/&gt;  <tr> <td>U-44</td> <td>"</td> <td>"</td> <td>V-675</td> <td>122</td> <td>1/2</td> <td>2900</td> <td>1\"/&gt;  <tr> <td>U-45</td> <td>"</td> <td>"</td> <td>V-675</td> <td>122</td> <td>1/2</td> <td>2900</td> <td>1\"/&gt;  <tr> <td>U-46</td> <td>"</td> <td>"</td> <td>V-675</td> <td>122</td> <td>1/2</td> <td>2900</td> <td>1\"/&gt;  <tr> <td>U-47</td> <td>"</td> <td>"</td> <td>V-675</td> <td>122</td> <td>1/2</td> <td>2900</td> <td>1\"/&gt;  <tr> <td>U-48</td> <td>"</td> <td>"</td> <td>V-675</td> <td>122</td> <td>1/2</td> <td>2900</td> <td>1\"/&gt;  <tr> <td>U-49</td> <td>"</td> <td>"</td> <td>V-675</td> <td>122</td> <td>1/2</td> <td>2900</td> <td>1\"/&gt;  <tr> <td>U-50</td> <td>"</td> <td>"</td> <td>V-675</td> <td>122</td> <td>1/2</td> <td>2900</td> <td>1\"/&gt;  </td></tr></td></tr></td></tr></td></tr></td></tr></td></tr></td></tr></td></tr></td></tr>   | U-42 | " | " | V-675 | 122 | 1/2 | 2900 | 1\"/> <tr> <td>U-43</td> <td>"</td> <td>"</td> <td>V-675</td> <td>122</td> <td>1/2</td> <td>2900</td> <td>1\"/&gt;  <tr> <td>U-44</td> <td>"</td> <td>"</td> <td>V-675</td> <td>122</td> <td>1/2</td> <td>2900</td> <td>1\"/&gt;  <tr> <td>U-45</td> <td>"</td> <td>"</td> <td>V-675</td> <td>122</td> <td>1/2</td> <td>2900</td> <td>1\"/&gt;  <tr> <td>U-46</td> <td>"</td> <td>"</td> <td>V-675</td> <td>122</td> <td>1/2</td> <td>2900</td> <td>1\"/&gt;  <tr> <td>U-47</td> <td>"</td> <td>"</td> <td>V-675</td> <td>122</td> <td>1/2</td> <td>2900</td> <td>1\"/&gt;  <tr> <td>U-48</td> <td>"</td> <td>"</td> <td>V-675</td> <td>122</td> <td>1/2</td> <td>2900</td> <td>1\"/&gt;  <tr> <td>U-49</td> <td>"</td> <td>"</td> <td>V-675</td> <td>122</td> <td>1/2</td> <td>2900</td> <td>1\"/&gt;  <tr> <td>U-50</td> <td>"</td> <td>"</td> <td>V-675</td> <td>122</td> <td>1/2</td> <td>2900</td> <td>1\"/&gt;  </td></tr></td></tr></td></tr></td></tr></td></tr></td></tr></td></tr></td></tr>   | U-43 | " | " | V-675 | 122 | 1/2 | 2900 | 1\"/> <tr> <td>U-44</td> <td>"</td> <td>"</td> <td>V-675</td> <td>122</td> <td>1/2</td> <td>2900</td> <td>1\"/&gt;  <tr> <td>U-45</td> <td>"</td> <td>"</td> <td>V-675</td> <td>122</td> <td>1/2</td> <td>2900</td> <td>1\"/&gt;  <tr> <td>U-46</td> <td>"</td> <td>"</td> <td>V-675</td> <td>122</td> <td>1/2</td> <td>2900</td> <td>1\"/&gt;  <tr> <td>U-47</td> <td>"</td> <td>"</td> <td>V-675</td> <td>122</td> <td>1/2</td> <td>2900</td> <td>1\"/&gt;  <tr> <td>U-48</td> <td>"</td> <td>"</td> <td>V-675</td> <td>122</td> <td>1/2</td> <td>2900</td> <td>1\"/&gt;  <tr> <td>U-49</td> <td>"</td> <td>"</td> <td>V-675</td> <td>122</td> <td>1/2</td> <td>2900</td> <td>1\"/&gt;  <tr> <td>U-50</td> <td>"</td> <td>"</td> <td>V-675</td> <td>122</td> <td>1/2</td> <td>2900</td> <td>1\"/&gt;  </td></tr></td></tr></td></tr></td></tr></td></tr></td></tr></td></tr>   | U-44 | " | " | V-675 | 122 | 1/2 | 2900 | 1\"/> <tr> <td>U-45</td> <td>"</td> <td>"</td> <td>V-675</td> <td>122</td> <td>1/2</td> <td>2900</td> <td>1\"/&gt;  <tr> <td>U-46</td> <td>"</td> <td>"</td> <td>V-675</td> <td>122</td> <td>1/2</td> <td>2900</td>
<td>1\"/&gt;  <tr> <td>U-47</td> <td>"</td> <td>"</td> <td>V-675</td> <td>122</td> <td>1/2</td> <td>2900</td> <td>1\"/&gt;  <tr> <td>U-48</td> <td>"</td> <td>"</td> <td>V-675</td> <td>122</td> <td>1/2</td> <td>2900</td> <td>1\"/&gt;  <tr> <td>U-49</td> <td>"</td> <td>"</td> <td>V-675</td> <td>122</td> <td>1/2</td> <td>2900</td> <td>1\"/&gt;  <tr> <td>U-50</td> <td>"</td> <td>"</td> <td>V-675</td> <td>122</td> <td>1/2</td> <td>2900</td> <td>1\"/&gt;  </td></tr></td></tr></td></tr></td></tr></td></tr></td></tr>   | U-45 | " | " | V-675 | 122 | 1/2 | 2900 | 1\"/> <tr> <td>U-46</td> <td>"</td> <td>"</td> <td>V-675</td> <td>122</td> <td>1/2</td> <td>2900</td> <td>1\"/&gt;  <tr> <td>U-47</td> <td>"</td> <td>"</td> <td>V-675</td> <td>122</td> <td>1/2</td> <td>2900</td> <td>1\"/&gt;  <tr> <td>U-48</td> <td>"</td> <td>"</td> <td>V-675</td> <td>122</td> <td>1/2</td> <td>2900</td> <td>1\"/&gt;  <tr> <td>U-49</td> <td>"</td> <td>"</td> <td>V-675</td> <td>122</td> <td>1/2</td> <td>2900</td> <td>1\"/&gt;  <tr> <td>U-50</td> <td>"</td> <td>"</td> <td>V-675</td> <td>122</td> <td>1/2</td> <td>2900</td> <td>1\"/&gt;  </td></tr></td></tr></td></tr></td></tr></td></tr>   | U-46 | " | " | V-675 | 122 | 1/2 | 2900 | 1\"/> <tr> <td>U-47</td> <td>"</td> <td>"</td> <td>V-675</td> <td>122</td> <td>1/2</td> <td>2900</td> <td>1\"/&gt;  <tr> <td>U-48</td> <td>"</td> <td>"</td> <td>V-675</td> <td>122</td> <td>1/2</td> <td>2900</td> <td>1\"/&gt;  <tr> <td>U-49</td> <td>"</td> <td>"</td> <td>V-675</td> <td>122</td> <td>1/2</td> <td>2900</td> <td>1\"/&gt;  <tr> <td>U-50</td> <td>"</td> <td>"</td> <td>V-675</td> <td>122</td> <td>1/2</td> <td>2900</td> <td>1\"/&gt;  </td></tr></td></tr></td></tr></td></tr>   | U-47 | " | " | V-675 | 122 | 1/2 | 2900 | 1\"/> <tr> <td>U-48</td> <td>"</td> <td>"</td> <td>V-675</td> <td>122</td> <td>1/2</td> <td>2900</td> <td>1\"/&gt;  <tr> <td>U-49</td> <td>"</td> <td>"</td> <td>V-675</td> <td>122</td> <td>1/2</td> <td>2900</td> <td>1\"/&gt;  <tr> <td>U-50</td> <td>"</td> <td>"</td> <td>V-675</td> <td>122</td> <td>1/2</td> <td>2900</td> <td>1\"/&gt;  </td></tr></td></tr></td></tr>  
  | U-48 | " | " | V-675 | 122 | 1/2 | 2900 | 1\"/> <tr> <td>U-49</td> <td>"</td> <td>"</td> <td>V-675</td> <td>122</td> <td>1/2</td> <td>2900</td> <td>1\"/&gt;  <tr> <td>U-50</td> <td>"</td> <td>"</td> <td>V-675</td> <td>122</td> <td>1/2</td> <td>2900</td> <td>1\"/&gt;  </td></tr></td></tr>   | U-49 | " | " | V-675 | 122 | 1/2 | 2900 | 1\"/> <tr> <td>U-50</td> <td>"</td> <td>"</td> <td>V-675</td> <td>122</td> <td>1/2</td> <td>2900</td> <td>1\"/&gt;  </td></tr>   | U-50 | " | " | V-675 | 122 | 1/2 | 2900 | 1\"/>  |      |   |   |       |     |     |      |  |      |   |   |       |     |     |      | | | | | | | | | | | | | | | | | | | | | | | | | |
   |      |   |   |       |     |     |      |  |      |   |   |       |     |     |      |  |      |   |   |       |     |     |      |  |      |   |   |       |     |     |      |  |      |   |   |       |     |     |      |  |      |   |   |       |     |     |      |  |      |   |   |       |     |     |      |   
  |      |   |   |       |     |     |      |  |      |   |   |       |     |     |      |  |      |   |   |       |     |     |      |  |      |   |   |       |     |     |      |  |      |   |   |       |     |     |      |  |      |   |   |       |     |     |      |  |      |   |   |       |     |     |      |  |      |   |   |       |     |     |      |       |
| U-13 | "             | "                       | V-675    | 122  | 1/2           | 2900    | 1\"/> <tr> <td>U-14</td> <td>"</td> <td>"</td> <td>V-675</td> <td>122</td> <td>1/2</td> <td>2900</td> <td>1\"/&gt;  <tr> <td>U-15</td> <td>"</td> <td>"</td> <td>V-675</td> <td>122</td> <td>1/2</td> <td>2900</td> <td>1\"/&gt;  <tr> <td>U-16</td> <td>"</td> <td>"</td> <td>V-675</td> <td>122</td> <td>1/2</td> <td>2900</td> <td>1\"/&gt;  <tr> <td>U-17</td> <td>"</td> <td>"</td> <td>V-675</td> <td>122</td> <td>1/2</td> <td>2900</td> <td>1\"/&gt;  <tr> <td>U-18</td> <td>"</td> <td>"</td> <td>V-675</td> <td>122</td> <td>1/2</td> <td>2900</td> <td>1\"/&gt;  <tr> <td>U-19</td> <td>"</td> <td>"</td> <td>V-675</td> <td>122</td> <td>1/2</td> <td>2900</td> <td>1\"/&gt;  <tr> <td>U-20</td> <td>"</td> <td>"</td> <td>V-675</td> <td>122</td> <td>1/2</td> <td>2900</td> <td>1\"/&gt;  <tr> <td>U-21</td> <td>"</td> <td>"</td> <td>V-675</td> <td>122</td> <td>1/2</td> <td>2900</td> <td>1\"/&gt;  <tr> <td>U-22</td> <td>"</td> <td>"</td> <td>V-675</td> <td>122</td> <td>1/2</td> <td>2900</td> <td>1\"/&gt;  <tr> <td>U-23</td> <td>"</td> <td>"</td> <td>V-675</td> <td>122</td> <td>1/2</td> <td>2900</td> <td>1\"/&gt;  <tr> <td>U-24</td> <td>"</td> <td>"</td> <td>V-675</td> <td>122</td> <td>1/2</td> <td>2900</td> <td>1\"/&gt;  <tr> <td>U-25</td> <td>"</td> <td>"</td> <td>V-675</td> <td>122</td> <td>1/2</td> <td>2900</td> <td>1\"/&gt;  <tr> <td>U-26</td> <td>"</td> <td>"</td> <td>V-675</td> <td>122</td> <td>1/2</td> <td>2900</td> <td>1\"/&gt;  <tr> <td>U-27</td> <td>"</td> <td>"</td> <td>V-675</td> <td>122</td> <td>1/2</td> <td>2900</td> <td>1\"/&gt;  <tr> <td>U-28</td> <td>"</td> <td>"</td> <td>V-675</td> <td>122</td> <td>1/2</td> <td>2900</td> <td>1\"/&gt;  <tr> <td>U-29</td> <td>"</td> <td>"</td> <td>V-675</td> <td>122</td> <td>1/2</td> <td>2900</td> <td>1\"/&gt;  <tr> <td>U-30</td> <td>"</td> <td>"</td> <td>V-675</td> <td>122</td> <td>1/2</td> <td>2900</td> <td>1\"/&gt;  <tr> <td>U-31</td> <td>"</td> <td>"</td> <td>V-675</td> <td>122</td> <td>1/2</td> <td>2900</td> <td>1\"/&gt;  <tr> <td>U-32</td> <td>"</td> <td>"</td> <td>V-675</td> <td>122</td> <td>1/2</td> <td>2900</td> <td>1\"/&gt;  <tr> <td>U-33</td> <td>"</td> <td>"</td> <td>V-675</td> <td>122</td> <td>1/2</td> <td>2900</td> <td>1\"/&gt;  <tr> <td>U-34</td> <td>"</td> <td>"</td> <td>V-675</td> <td>122</td> <td>1/2</td> <td>2900</td> <td>1\"/&gt;  <tr> <td>U-35</td> <td>"</td> <td>"</td> <td>V-675</td> <td>122</td> <td>1/2</td> <td>2900</td> <td>1\"/&gt;  <tr> <td>U-36</td> <td>"</td> <td>"</td> <td>V-675</td> <td>122</td> <td>1/2</td> <td>2900</td> <td>1\"/&gt;  <tr> <td>U-37</td> <td>"</td> <td>"</td> <td>V-675</td> <td>122</td> <td>1/2</td> <td>2900</td> <td>1\"/&gt;  <tr> <td>U-38</td> <td>"</td> <td>"</td> <td>V-675</td> <td>122</td> <td>1/2</td> <td>2900</td> <td>1\"/&gt;  <tr> <td>U-39</td> <td>"</td> <td>"</td> <td>V-675</td> <td>122</td> <td>1/2</td> <td>2900</td> <td>1\"/&gt;  <tr> <td>U-40</td> <td>"</td> <td>"</td> <td>V-675</td> <td>122</td> <td>1/2</td> <td>2900</td> <td>1\"/&gt;  <tr> <td>U-41</td> <td>"</td> <td>"</td> <td>V-675</td> <td>122</td> <td>1/2</td> <td>2900</td> <td>1\"/&gt;  <tr> <td>U-42</td> <td>"</td> <td>"</td> <td>V-675</td> <td>122</td> <td>1/2</td> <td>2900</td> <td>1\"/&gt;  <tr> <td>U-43</td> <td>"</td> <td>"</td> <td>V-675</td> <td>122</td> <td>1/2</td> <td>2900</td> <td>1\"/&gt;  <tr> <td>U-44</td> <td>"</td> <td>"</td> <td>V-675</td> <td>122</td> <td>1/2</td> <td>2900</td> <td>1\"/&gt;  <tr> <td>U-45</td> <td>"</td> <td>"</td> <td>V-675</td> <td>122</td> <td>1/2</td> <td>2900</td> <td>1\"/&gt;  <tr> <td>U-46</td> <td>"</td> <td>"</td> <td>V-675</td> <td>122</td> <td>1/2</td> <td>2900</td> <td>1\"/&gt;  <tr> <td>U-47</td> <td>"</td> <td>"</td> <td>V-675</td> <td>122</td> <td>1/2</td> <td>2900</td> <td>1\"/&gt;  <tr> <td>U-48</td> <td>"</td> <td>"</td> <td>V-675</td> <td>122</td> <td>1/2</td> <td>2900</td> <td>1\"/&gt;  <tr> <td>U-49</td> <td>"</td> <td>"</td> <td>V-675</td> <td>122</td> <td>1/2</td> <td>2900</td> <td>1\"/&gt;  <tr> <td>U-50</td> <td>"</td> <td>"</td> <td>V-675</td> <td>122</td> <td>1/2</td> <td>2900</td> <td>1\"/&gt;  </td></tr></td></tr></td></tr></td></tr></td></tr></td></tr></td></tr></td></tr></td></tr></td></tr></td></tr></td></tr></td></tr></td></tr></td></tr></td></tr></td></tr></td></tr></td></tr></td></tr></td></tr></td></tr></td></tr></td></tr></td></tr></td></tr></td></tr></td></tr></td></tr></td></tr></td></tr></td></tr></td></tr></td></tr></td></tr></td></tr></td></tr>  | U-14 | " | " | V-675  | 122  | 1/2 | 2900   | 1\"/> <tr> <td>U-15</td> <td>"</td> <td>"</td> <td>V-675</td> <td>122</td> <td>1/2</td> <td>2900</td> <td>1\"/&gt;  <tr> <td>U-16</td> <td>"</td> <td>"</td> <td>V-675</td> <td>122</td> <td>1/2</td> <td>2900</td> <td>1\"/&gt;  <tr> <td>U-17</td> <td>"</td> <td>"</td> <td>V-675</td> <td>122</td> <td>1/2</td> <td>2900</td> <td>1\"/&gt;  <tr> <td>U-18</td> <td>"</td> <td>"</td> <td>V-675</td> <td>122</td> <td>1/2</td> <td>2900</td> <td>1\"/&gt;  <tr> <td>U-19</td> <td>"</td> <td>"</td> <td>V-675</td> <td>122</td> <td>1/2</td> <td>2900</td> <td>1\"/&gt;  <tr> <td>U-20</td> <td>"</td> <td>"</td> <td>V-675</td> <td>122</td> <td>1/2</td> <td>2900</td> <td>1\"/&gt;  <tr> <td>U-21</td> <td>"</td> <td>"</td> <td>V-675</td> <td>122</td> <td>1/2</td> <td>2900</td> <td>1\"/&gt;  <tr> <td>U-22</td> <td>"</td> <td>"</td> <td>V-675</td> <td>122</td> <td>1/2</td> <td>2900</td> <td>1\"/&gt;  <tr> <td>U-23</td> <td>"</td> <td>"</td> <td>V-675</td> <td>122</td> <td>1/2</td> <td>2900</td> <td>1\"/&gt;  <tr> <td>U-24</td> <td>"</td> <td>"</td> <td>V-675</td> <td>122</td> <td>1/2</td> <td>2900</td> <td>1\"/&gt;  <tr> <td>U-25</td> <td>"</td> <td>"</td> <td>V-675</td> <td>122</td> <td>1/2</td> <td>2900</td> <td>1\"/&gt;  <tr> <td>U-26</td> <td>"</td> <td>"</td> <td>V-675</td> <td>122</td> <td>1/2</td> <td>2900</td> <td>1\"/&gt;  <tr> <td>U-27</td> <td>"</td> <td>"</td> <td>V-675</td> <td>122</td> <td>1/2</td> <td>2900</td> <td>1\"/&gt;  <tr> <td>U-28</td> <td>"</td> <td>"</td> <td>V-675</td> <td>122</td> <td>1/2</td> <td>2900</td> <td>1\"/&gt;  <tr> <td>U-29</td> <td>"</td> <td>"</td> <td>V-675</td> <td>122</td> <td>1/2</td> <td>2900</td> <td>1\"/&gt;  <tr> <td>U-30</td> <td>"</td> <td>"</td> <td>V-675</td> <td>122</td> <td>1/2</td> <td>2900</td> <td>1\"/&gt;  <tr> <td>U-31</td> <td>"</td> <td>"</td> <td>V-675</td> <td>122</td> <td>1/2</td> <td>2900</td> <td>1\"/&gt;  <tr> <td>U-32</td> <td>"</td> <td>"</td> <td>V-675</td> <td>122</td> <td>1/2</td> <td>2900</td> <td>1\"/&gt;  <tr> <td>U-33</td> <td>"</td> <td>"</td> <td>V-675</td> <td>122</td> <td>1/2</td> <td>2900</td> <td>1\"/&gt;  <tr> <td>U-34</td> <td>"</td> <td>"</td> <td>V-675</td> <td>122</td> <td>1/2</td> <td>2900</td> <td>1\"/&gt;  <tr> <td>U-35</td> <td>"</td> <td>"</td> <td>V-675</td> <td>122</td> <td>1/2</td> <td>2900</td> <td>1\"/&gt;  <tr> <td>U-36</td> <td>"</td> <td>"</td> <td>V-675</td> <td>122</td> <td>1/2</td> <td>2900</td> <td>1\"/&gt;  <tr> <td>U-37</td> <td>"</td> <td>"</td> <td>V-675</td> <td>122</td> <td>1/2</td> <td>2900</td> <td>1\"/&gt;  <tr> <td>U-38</td> <td>"</td> <td>"</td> <td>V-675</td> <td>122</td> <td>1/2</td> <td>2900</td> <td>1\"/&gt;  <tr> <td>U-39</td> <td>"</td> <td>"</td> <td>V-675</td> <td>122</td> <td>1/2</td> <td>2900</td> <td>1\"/&gt;  <tr> <td>U-40</td> <td>"</td> <td>"</td> <td>V-675</td> <td>122</td> <td>1/2</td> <td>2900</td> <td>1\"/&gt;  <tr> <td>U-41</td> <td>"</td> <td>"</td> <td>V-675</td> <td>122</td> <td>1/2</td> <td>2900</td> <td>1\"/&gt;  <tr> <td>U-42</td> <td>"</td> <td>"</td> <td>V-675</td> <td>122</td> <td>1/2</td> <td>2900</td> <td>1\"/&gt;  <tr> <td>U-43</td> <td>"</td> <td>"</td> <td>V-675</td> <td>122</td> <td>1/2</td> <td>2900</td> <td>1\"/&gt;  <tr> <td>U-44</td> <td>"</td> <td>"</td> <td>V-675</td> <td>122</td> <td>1/2</td> <td>2900</td> <td>1\"/&gt; 
<tr> <td>U-45</td> <td>"</td> <td>"</td> <td>V-675</td> <td>122</td> <td>1/2</td> <td>2900</td> <td>1\"/&gt;  <tr> <td>U-46</td> <td>"</td> <td>"</td> <td>V-675</td> <td>122</td> <td>1/2</td> <td>2900</td> <td>1\"/&gt;  <tr> <td>U-47</td> <td>"</td> <td>"</td> <td>V-675</td> <td>122</td> <td>1/2</td> <td>2900</td> <td>1\"/&gt;  <tr> <td>U-48</td> <td>"</td> <td>"</td> <td>V-675</td> <td>122</td> <td>1/2</td> <td>2900</td> <td>1\"/&gt;  <tr> <td>U-49</td> <td>"</td> <td>"</td> <td>V-675</td> <td>122</td> <td>1/2</td> <td>2900</td> <td>1\"/&gt;  <tr> <td>U-50</td> <td>"</td> <td>"</td> <td>V-675</td> <td>122</td> <td>1/2</td> <td>2900</td> <td>1\"/&gt;  </td></tr></td></tr></td></tr></td></tr></td></tr></td></tr></td></tr></td></tr></td></tr></td></tr></td></tr></td></tr></td></tr></td></tr></td></tr></td></tr></td></tr></td></tr></td></tr></td></tr></td></tr></td></tr></td></tr></td></tr></td></tr></td></tr></td></tr></td></tr></td></tr></td></tr></td></tr></td></tr></td></tr></td></tr></td></tr></td></tr>   | U-15 | " | " | V-675  | 122 | 1/2 | 2900   | 1\"/> <tr> <td>U-16</td> <td>"</td> <td>"</td> <td>V-675</td> <td>122</td> <td>1/2</td> <td>2900</td> <td>1\"/&gt;  <tr> <td>U-17</td> <td>"</td> <td>"</td> <td>V-675</td> <td>122</td> <td>1/2</td> <td>2900</td> <td>1\"/&gt;  <tr> <td>U-18</td> <td>"</td> <td>"</td> <td>V-675</td> <td>122</td> <td>1/2</td> <td>2900</td> <td>1\"/&gt;  <tr> <td>U-19</td> <td>"</td> <td>"</td> <td>V-675</td> <td>122</td> <td>1/2</td> <td>2900</td> <td>1\"/&gt;  <tr> <td>U-20</td> <td>"</td> <td>"</td> <td>V-675</td> <td>122</td> <td>1/2</td> <td>2900</td> <td>1\"/&gt;  <tr> <td>U-21</td> <td>"</td> <td>"</td> <td>V-675</td> <td>122</td> <td>1/2</td> <td>2900</td> <td>1\"/&gt;  <tr> <td>U-22</td> <td>"</td> <td>"</td> <td>V-675</td> <td>122</td> <td>1/2</td> <td>2900</td> <td>1\"/&gt;  <tr> <td>U-23</td> <td>"</td> <td>"</td> <td>V-675</td> <td>122</td> <td>1/2</td> <td>2900</td> <td>1\"/&gt;  <tr> <td>U-24</td> <td>"</td> <td>"</td> <td>V-675</td> <td>122</td> <td>1/2</td> <td>2900</td> <td>1\"/&gt;  <tr> <td>U-25</td> <td>"</td> <td>"</td> <td>V-675</td> <td>122</td> <td>1/2</td> <td>2900</td> <td>1\"/&gt;  <tr> <td>U-26</td> <td>"</td> <td>"</td> <td>V-675</td> <td>122</td> <td>1/2</td> <td>2900</td> <td>1\"/&gt;  <tr> <td>U-27</td> <td>"</td> <td>"</td> <td>V-675</td> <td>122</td> <td>1/2</td> <td>2900</td> <td>1\"/&gt;  <tr> <td>U-28</td> <td>"</td> <td>"</td> <td>V-675</td> <td>122</td> <td>1/2</td> <td>2900</td> <td>1\"/&gt;  <tr> <td>U-29</td> <td>"</td> <td>"</td> <td>V-675</td> <td>122</td> <td>1/2</td> <td>2900</td> <td>1\"/&gt;  <tr> <td>U-30</td> <td>"</td> <td>"</td> <td>V-675</td> <td>122</td> <td>1/2</td> <td>2900</td> <td>1\"/&gt;  <tr> <td>U-31</td> <td>"</td> <td>"</td> <td>V-675</td> <td>122</td> <td>1/2</td> <td>2900</td> <td>1\"/&gt;  <tr> <td>U-32</td> <td>"</td> <td>"</td> <td>V-675</td> <td>122</td> <td>1/2</td> <td>2900</td> <td>1\"/&gt;  <tr> <td>U-33</td> <td>"</td> <td>"</td> <td>V-675</td> <td>122</td> <td>1/2</td> <td>2900</td> <td>1\"/&gt;  <tr> <td>U-34</td> <td>"</td> <td>"</td> <td>V-675</td> <td>122</td> <td>1/2</td> <td>2900</td> <td>1\"/&gt;  <tr> <td>U-35</td> <td>"</td> <td>"</td> <td>V-675</td> <td>122</td> <td>1/2</td> <td>2900</td> <td>1\"/&gt;  <tr> <td>U-36</td> <td>"</td> <td>"</td> <td>V-675</td> <td>122</td> <td>1/2</td> <td>2900</td> <td>1\"/&gt;  <tr> <td>U-37</td> <td>"</td> <td>"</td> <td>V-675</td> <td>122</td> <td>1/2</td> <td>2900</td> <td>1\"/&gt;  <tr> <td>U-38</td> <td>"</td> <td>"</td> <td>V-675</td> <td>122</td> <td>1/2</td> <td>2900</td> <td>1\"/&gt;  <tr> <td>U-39</td> <td>"</td> <td>"</td> <td>V-675</td> <td>122</td> <td>1/2</td> <td>2900</td> <td>1\"/&gt;  <tr> <td>U-40</td> <td>"</td> <td>"</td> <td>V-675</td> <td>122</td> <td>1/2</td> <td>2900</td> <td>1\"/&gt;  <tr> <td>U-41</td> <td>"</td> <td>"</td> <td>V-675</td> <td>122</td> <td>1/2</td> <td>2900</td> <td>1\"/&gt;  <tr> <td>U-42</td> <td>"</td> <td>"</td> <td>V-675</td> <td>122</td> <td>1/2</td> <td>2900</td> <td>1\"/&gt;  <tr> <td>U-43</td> <td>"</td> <td>"</td> <td>V-675</td> <td>122</td> <td>1/2</td> <td>2900</td> <td>1\"/&gt;  <tr> <td>U-44</td> <td>"</td> <td>"</td> <td>V-675</td> <td>122</td> <td>1/2</td> <td>2900</td> <td>1\"/&gt;  <tr> <td>U-45</td> <td>"</td> <td>"</td> <td>V-675</td> <td>122</td> <td>1/2</td> <td>2900</td> <td>1\"/&gt;  <tr> <td>U-46</td> <td>"</td> <td>"</td> <td>V-675</td> <td>122</td> <td>1/2</td> <td>2900</td> <td>1\"/&gt;  <tr> <td>U-47</td> <td>"</td> <td>"</td> <td>V-675</td> <td>122</td> <td>1/2</td> <td>2900</td> <td>1\"/&gt;  <tr> <td>U-48</td> <td>"</td> <td>"</td> <td>V-675</td> <td>122</td> <td>1/2</td> <td>2900</td> <td>1\"/&gt;  <tr> <td>U-49</td> <td>"</td> <td>"</td> <td>V-675</td> <td>122</td> <td>1/2</td> <td>2900</td> <td>1\"/&gt;  <tr> <td>U-50</td> <td>"</td> <td>"</td> <td>V-675</td> <td>122</td> <td>1/2</td> <td>2900</td> <td>1\"/&gt;  </td></tr></td></tr></td></tr></td></tr></td></tr></td></tr></td></tr></td></tr></td></tr></td></tr></td></tr></td></tr></td></tr></td></tr></td></tr></td></tr></td></tr></td></tr></td></tr></td></tr></td></tr></td></tr></td></tr></td></tr></td></tr></td></tr></td></tr></td></tr></td></tr></td></tr></td></tr></td></tr></td></tr></td></tr></td></tr>   | U-16 | " | " | V-675 | 122 | 1/2 | 2900    | 1\"/> <tr> <td>U-17</td> <td>"</td> <td>"</td> <td>V-675</td> <td>122</td> <td>1/2</td> <td>2900</td> <td>1\"/&gt;  <tr> <td>U-18</td> <td>"</td> <td>"</td> <td>V-675</td> <td>122</td> <td>1/2</td> <td>2900</td> <td>1\"/&gt;  <tr> <td>U-19</td> <td>"</td> <td>"</td> <td>V-675</td> <td>122</td> <td>1/2</td> <td>2900</td> <td>1\"/&gt;  <tr> <td>U-20</td> <td>"</td> <td>"</td> <td>V-675</td> <td>122</td> <td>1/2</td> <td>2900</td> <td>1\"/&gt;  <tr> <td>U-21</td> <td>"</td> <td>"</td> <td>V-675</td> <td>122</td> <td>1/2</td> <td>2900</td> <td>1\"/&gt;  <tr> <td>U-22</td> <td>"</td> <td>"</td> <td>V-675</td> <td>122</td> <td>1/2</td> <td>2900</td> <td>1\"/&gt;  <tr> <td>U-23</td> <td>"</td> <td>"</td> <td>V-675</td> <td>122</td> <td>1/2</td> <td>2900</td> <td>1\"/&gt;  <tr> <td>U-24</td> <td>"</td> <td>"</td> <td>V-675</td> <td>122</td> <td>1/2</td> <td>2900</td> <td>1\"/&gt;  <tr> <td>U-25</td> <td>"</td> <td>"</td> <td>V-675</td> <td>122</td> <td>1/2</td> <td>2900</td> <td>1\"/&gt;  <tr> <td>U-26</td> <td>"</td> <td>"</td> <td>V-675</td> <td>122</td> <td>1/2</td> <td>2900</td> <td>1\"/&gt;  <tr> <td>U-27</td> <td>"</td> <td>"</td> <td>V-675</td> <td>122</td> <td>1/2</td> <td>2900</td> <td>1\"/&gt;  <tr> <td>U-28</td> <td>"</td> <td>"</td> <td>V-675</td> <td>122</td> <td>1/2</td> <td>2900</td> <td>1\"/&gt;  <tr> <td>U-29</td> <td>"</td> <td>"</td> <td>V-675</td> <td>122</td> <td>1/2</td> <td>2900</td> <td>1\"/&gt;  <tr> <td>U-30</td> <td>"</td> <td>"</td> <td>V-675</td> <td>122</td> <td>1/2</td> <td>2900</td> <td>1\"/&gt;  <tr> <td>U-31</td> <td>"</td> <td>"</td> <td>V-675</td> <td>122</td> <td>1/2</td> <td>2900</td> <td>1\"/&gt;  <tr> <td>U-32</td> <td>"</td> <td>"</td> <td>V-675</td> <td>122</td> <td>1/2</td> <td>2900</td> <td>1\"/&gt;  <tr> <td>U-33</td> <td>"</td> <td>"</td>
<td>V-675</td> <td>122</td> <td>1/2</td> <td>2900</td> <td>1\"/&gt;  <tr> <td>U-34</td> <td>"</td> <td>"</td> <td>V-675</td> <td>122</td> <td>1/2</td> <td>2900</td> <td>1\"/&gt;  <tr> <td>U-35</td> <td>"</td> <td>"</td> <td>V-675</td> <td>122</td> <td>1/2</td> <td>2900</td> <td>1\"/&gt;  <tr> <td>U-36</td> <td>"</td> <td>"</td> <td>V-675</td> <td>122</td> <td>1/2</td> <td>2900</td> <td>1\"/&gt;  <tr> <td>U-37</td> <td>"</td> <td>"</td> <td>V-675</td> <td>122</td> <td>1/2</td> <td>2900</td> <td>1\"/&gt;  <tr> <td>U-38</td> <td>"</td> <td>"</td> <td>V-675</td> <td>122</td> <td>1/2</td> <td>2900</td> <td>1\"/&gt;  <tr> <td>U-39</td> <td>"</td> <td>"</td> <td>V-675</td> <td>122</td> <td>1/2</td> <td>2900</td> <td>1\"/&gt;  <tr> <td>U-40</td> <td>"</td> <td>"</td> <td>V-675</td> <td>122</td> <td>1/2</td> <td>2900</td> <td>1\"/&gt;  <tr> <td>U-41</td> <td>"</td> <td>"</td> <td>V-675</td> <td>122</td> <td>1/2</td> <td>2900</td> <td>1\"/&gt;  <tr> <td>U-42</td> <td>"</td> <td>"</td> <td>V-675</td> <td>122</td> <td>1/2</td> <td>2900</td> <td>1\"/&gt;  <tr> <td>U-43</td> <td>"</td> <td>"</td> <td>V-675</td> <td>122</td> <td>1/2</td> <td>2900</td> <td>1\"/&gt;  <tr> <td>U-44</td> <td>"</td> <td>"</td> <td>V-675</td> <td>122</td> <td>1/2</td> <td>2900</td> <td>1\"/&gt;  <tr> <td>U-45</td> <td>"</td> <td>"</td> <td>V-675</td> <td>122</td> <td>1/2</td> <td>2900</td> <td>1\"/&gt;  <tr> <td>U-46</td> <td>"</td> <td>"</td> <td>V-675</td> <td>122</td> <td>1/2</td> <td>2900</td> <td>1\"/&gt;  <tr> <td>U-47</td> <td>"</td> <td>"</td> <td>V-675</td> <td>122</td> <td>1/2</td> <td>2900</td> <td>1\"/&gt;  <tr> <td>U-48</td> <td>"</td> <td>"</td> <td>V-675</td> <td>122</td> <td>1/2</td> <td>2900</td> <td>1\"/&gt;  <tr> <td>U-49</td> <td>"</td> <td>"</td> <td>V-675</td> <td>122</td> <td>1/2</td> <td>2900</td> <td>1\"/&gt;  <tr> <td>U-50</td> <td>"</td> <td>"</td> <td>V-675</td> <td>122</td> <td>1/2</td> <td>2900</td> <td>1\"/&gt;  </td></tr></td></tr></td></tr></td></tr></td></tr></td></tr></td></tr></td></tr></td></tr></td></tr></td></tr></td></tr></td></tr></td></tr></td></tr></td></tr></td></tr></td></tr></td></tr></td></tr></td></tr></td></tr></td></tr></td></tr></td></tr></td></tr></td></tr></td></tr></td></tr></td></tr></td></tr></td></tr></td></tr></td></tr>  | U-17 | " | " | V-675 | 122 | 1/2 | 2900   | 1\"/> <tr> <td>U-18</td> <td>"</td> <td>"</td> <td>V-675</td> <td>122</td> <td>1/2</td> <td>2900</td> <td>1\"/&gt;  <tr> <td>U-19</td> <td>"</td> <td>"</td> <td>V-675</td> <td>122</td> <td>1/2</td> <td>2900</td> <td>1\"/&gt;  <tr> <td>U-20</td> <td>"</td> <td>"</td> <td>V-675</td> <td>122</td> <td>1/2</td> <td>2900</td> <td>1\"/&gt;  <tr> <td>U-21</td> <td>"</td> <td>"</td> <td>V-675</td> <td>122</td> <td>1/2</td> <td>2900</td> <td>1\"/&gt;  <tr> <td>U-22</td> <td>"</td> <td>"</td> <td>V-675</td> <td>122</td> <td>1/2</td> <td>2900</td> <td>1\"/&gt;  <tr> <td>U-23</td> <td>"</td> <td>"</td> <td>V-675</td> <td>122</td> <td>1/2</td> <td>2900</td> <td>1\"/&gt;  <tr> <td>U-24</td> <td>"</td> <td>"</td> <td>V-675</td> <td>122</td> <td>1/2</td> <td>2900</td> <td>1\"/&gt;  <tr> <td>U-25</td> <td>"</td> <td>"</td> <td>V-675</td> <td>122</td> <td>1/2</td> <td>2900</td> <td>1\"/&gt;  <tr> <td>U-26</td> <td>"</td> <td>"</td> <td>V-675</td> <td>122</td> <td>1/2</td> <td>2900</td> <td>1\"/&gt;  <tr> <td>U-27</td> <td>"</td> <td>"</td> <td>V-675</td> <td>122</td> <td>1/2</td> <td>2900</td> <td>1\"/&gt;  <tr> <td>U-28</td> <td>"</td> <td>"</td> <td>V-675</td> <td>122</td> <td>1/2</td> <td>2900</td> <td>1\"/&gt;  <tr> <td>U-29</td> <td>"</td> <td>"</td> <td>V-675</td> <td>122</td> <td>1/2</td> <td>2900</td> <td>1\"/&gt;  <tr> <td>U-30</td> <td>"</td> <td>"</td> <td>V-675</td> <td>122</td> <td>1/2</td> <td>2900</td> <td>1\"/&gt;  <tr> <td>U-31</td> <td>"</td> <td>"</td> <td>V-675</td> <td>122</td> <td>1/2</td> <td>2900</td> <td>1\"/&gt;  <tr> <td>U-32</td> <td>"</td> <td>"</td> <td>V-675</td> <td>122</td> <td>1/2</td> <td>2900</td> <td>1\"/&gt;  <tr> <td>U-33</td> <td>"</td> <td>"</td> <td>V-675</td> <td>122</td> <td>1/2</td> <td>2900</td> <td>1\"/&gt;  <tr> <td>U-34</td> <td>"</td> <td>"</td> <td>V-675</td> <td>122</td> <td>1/2</td> <td>2900</td> <td>1\"/&gt;  <tr> <td>U-35</td> <td>"</td> <td>"</td> <td>V-675</td> <td>122</td> <td>1/2</td> <td>2900</td> <td>1\"/&gt;  <tr> <td>U-36</td> <td>"</td> <td>"</td> <td>V-675</td> <td>122</td> <td>1/2</td> <td>2900</td> <td>1\"/&gt;  <tr> <td>U-37</td> <td>"</td> <td>"</td> <td>V-675</td> <td>122</td> <td>1/2</td> <td>2900</td> <td>1\"/&gt;  <tr> <td>U-38</td> <td>"</td> <td>"</td> <td>V-675</td> <td>122</td> <td>1/2</td> <td>2900</td> <td>1\"/&gt;  <tr> <td>U-39</td> <td>"</td> <td>"</td> <td>V-675</td> <td>122</td> <td>1/2</td> <td>2900</td> <td>1\"/&gt;  <tr> <td>U-40</td> <td>"</td> <td>"</td> <td>V-675</td> <td>122</td> <td>1/2</td> <td>2900</td> <td>1\"/&gt;  <tr> <td>U-41</td> <td>"</td> <td>"</td> <td>V-675</td> <td>122</td> <td>1/2</td> <td>2900</td> <td>1\"/&gt;  <tr> <td>U-42</td> <td>"</td> <td>"</td> <td>V-675</td> <td>122</td> <td>1/2</td> <td>2900</td> <td>1\"/&gt;  <tr> <td>U-43</td> <td>"</td> <td>"</td> <td>V-675</td> <td>122</td> <td>1/2</td> <td>2900</td> <td>1\"/&gt;  <tr> <td>U-44</td> <td>"</td> <td>"</td> <td>V-675</td> <td>122</td> <td>1/2</td> <td>2900</td> <td>1\"/&gt;  <tr> <td>U-45</td> <td>"</td> <td>"</td> <td>V-675</td> <td>122</td> <td>1/2</td> <td>2900</td> <td>1\"/&gt;  <tr> <td>U-46</td> <td>"</td> <td>"</td> <td>V-675</td> <td>122</td> <td>1/2</td> <td>2900</td> <td>1\"/&gt;  <tr> <td>U-47</td> <td>"</td> <td>"</td> <td>V-675</td> <td>122</td> <td>1/2</td> <td>2900</td> <td>1\"/&gt;  <tr> <td>U-48</td> <td>"</td> <td>"</td> <td>V-675</td> <td>122</td> <td>1/2</td> <td>2900</td> <td>1\"/&gt;  <tr> <td>U-49</td> <td>"</td> <td>"</td> <td>V-675</td> <td>122</td> <td>1/2</td> <td>2900</td> <td>1\"/&gt;  <tr> <td>U-50</td> <td>"</td> <td>"</td> <td>V-675</td> <td>122</td> <td>1/2</td> <td>2900</td> <td>1\"/&gt;  </td></tr></td></tr></td></tr></td></tr></td></tr></td></tr></td></tr></td></tr></td></tr></td></tr></td></tr></td></tr></td></tr></td></tr></td></tr></td></tr></td></tr></td></tr></td></tr></td></tr></td></tr></td></tr></td></tr></td></tr></td></tr></td></tr></td></tr></td></tr></td></tr></td></tr></td></tr></td></tr></td></tr>   | U-18 | " | " | V-675 | 122 | 1/2 | 2900    | 1\"/> <tr> <td>U-19</td> <td>"</td> <td>"</td> <td>V-675</td> <td>122</td> <td>1/2</td> <td>2900</td> <td>1\"/&gt;  <tr> <td>U-20</td> <td>"</td> <td>"</td> <td>V-675</td> <td>122</td> <td>1/2</td> <td>2900</td> <td>1\"/&gt;  <tr> <td>U-21</td> <td>"</td> <td>"</td> <td>V-675</td> <td>122</td> <td>1/2</td> <td>2900</td> <td>1\"/&gt;  <tr> <td>U-22</td> <td>"</td> <td>"</td> <td>V-675</td> <td>122</td> <td>1/2</td> <td>2900</td> <td>1\"/&gt;  <tr> <td>U-23</td> <td>"</td> <td>"</td> <td>V-675</td> <td>122</td> <td>1/2</td> <td>2900</td> <td>1\"/&gt;  <tr> <td>U-24</td> <td>"</td> <td>"</td> <td>V-675</td> <td>122</td> <td>1/2</td> <td>2900</td> <td>1\"/&gt;  <tr> <td>U-25</td> <td>"</td> <td>"</td> <td>V-675</td> <td>122</td> <td>1/2</td> <td>2900</td> <td>1\"/&gt;  <tr>
<td>U-26</td> <td>"</td> <td>"</td> <td>V-675</td> <td>122</td> <td>1/2</td> <td>2900</td> <td>1\"/&gt;  <tr> <td>U-27</td> <td>"</td> <td>"</td> <td>V-675</td> <td>122</td> <td>1/2</td> <td>2900</td> <td>1\"/&gt;  <tr> <td>U-28</td> <td>"</td> <td>"</td> <td>V-675</td> <td>122</td> <td>1/2</td> <td>2900</td> <td>1\"/&gt;  <tr> <td>U-29</td> <td>"</td> <td>"</td> <td>V-675</td> <td>122</td> <td>1/2</td> <td>2900</td> <td>1\"/&gt;  <tr> <td>U-30</td> <td>"</td> <td>"</td> <td>V-675</td> <td>122</td> <td>1/2</td> <td>2900</td> <td>1\"/&gt;  <tr> <td>U-31</td> <td>"</td> <td>"</td> <td>V-675</td> <td>122</td> <td>1/2</td> <td>2900</td> <td>1\"/&gt;  <tr> <td>U-32</td> <td>"</td> <td>"</td> <td>V-675</td> <td>122</td> <td>1/2</td> <td>2900</td> <td>1\"/&gt;  <tr> <td>U-33</td> <td>"</td> <td>"</td> <td>V-675</td> <td>122</td> <td>1/2</td> <td>2900</td> <td>1\"/&gt;  <tr> <td>U-34</td> <td>"</td> <td>"</td> <td>V-675</td> <td>122</td> <td>1/2</td> <td>2900</td> <td>1\"/&gt;  <tr> <td>U-35</td> <td>"</td> <td>"</td> <td>V-675</td> <td>122</td> <td>1/2</td> <td>2900</td> <td>1\"/&gt;  <tr> <td>U-36</td> <td>"</td> <td>"</td> <td>V-675</td> <td>122</td> <td>1/2</td> <td>2900</td> <td>1\"/&gt;  <tr> <td>U-37</td> <td>"</td> <td>"</td> <td>V-675</td> <td>122</td> <td>1/2</td> <td>2900</td> <td>1\"/&gt;  <tr> <td>U-38</td> <td>"</td> <td>"</td> <td>V-675</td> <td>122</td> <td>1/2</td> <td>2900</td> <td>1\"/&gt;  <tr> <td>U-39</td> <td>"</td> <td>"</td> <td>V-675</td> <td>122</td> <td>1/2</td> <td>2900</td> <td>1\"/&gt;  <tr> <td>U-40</td> <td>"</td> <td>"</td> <td>V-675</td> <td>122</td> <td>1/2</td> <td>2900</td> <td>1\"/&gt;  <tr> <td>U-41</td> <td>"</td> <td>"</td> <td>V-675</td> <td>122</td> <td>1/2</td> <td>2900</td> <td>1\"/&gt;  <tr> <td>U-42</td> <td>"</td> <td>"</td> <td>V-675</td> <td>122</td> <td>1/2</td> <td>2900</td> <td>1\"/&gt;  <tr> <td>U-43</td> <td>"</td> <td>"</td> <td>V-675</td> <td>122</td> <td>1/2</td> <td>2900</td> <td>1\"/&gt;  <tr> <td>U-44</td> <td>"</td> <td>"</td> <td>V-675</td> <td>122</td> <td>1/2</td> <td>2900</td> <td>1\"/&gt;  <tr> <td>U-45</td> <td>"</td> <td>"</td> <td>V-675</td> <td>122</td> <td>1/2</td> <td>2900</td> <td>1\"/&gt;  <tr> <td>U-46</td> <td>"</td> <td>"</td> <td>V-675</td> <td>122</td> <td>1/2</td> <td>2900</td> <td>1\"/&gt;  <tr> <td>U-47</td> <td>"</td> <td>"</td> <td>V-675</td> <td>122</td> <td>1/2</td> <td>2900</td> <td>1\"/&gt;  <tr> <td>U-48</td> <td>"</td> <td>"</td> <td>V-675</td> <td>122</td> <td>1/2</td> <td>2900</td> <td>1\"/&gt;  <tr> <td>U-49</td> <td>"</td> <td>"</td> <td>V-675</td> <td>122</td> <td>1/2</td> <td>2900</td> <td>1\"/&gt;  <tr> <td>U-50</td> <td>"</td> <td>"</td> <td>V-675</td> <td>122</td> <td>1/2</td> <td>2900</td> <td>1\"/&gt;  </td></tr></td></tr></td></tr></td></tr></td></tr></td></tr></td></tr></td></tr></td></tr></td></tr></td></tr></td></tr></td></tr></td></tr></td></tr></td></tr></td></tr></td></tr></td></tr></td></tr></td></tr></td></tr></td></tr></td></tr></td></tr></td></tr></td></tr></td></tr></td></tr></td></tr></td></tr></td></tr>  | U-19 | "           | "      | V-675  | 122  | 1/2 | 2900 | 1\"/> <tr> <td>U-20</td> <td>"</td> <td>"</td> <td>V-675</td> <td>122</td> <td>1/2</td> <td>2900</td> <td>1\"/&gt;  <tr> <td>U-21</td> <td>"</td> <td>"</td> <td>V-675</td> <td>122</td> <td>1/2</td> <td>2900</td> <td>1\"/&gt;  <tr> <td>U-22</td> <td>"</td> <td>"</td> <td>V-675</td> <td>122</td> <td>1/2</td> <td>2900</td> <td>1\"/&gt;  <tr> <td>U-23</td> <td>"</td> <td>"</td> <td>V-675</td> <td>122</td> <td>1/2</td> <td>2900</td> <td>1\"/&gt;  <tr> <td>U-24</td> <td>"</td> <td>"</td> <td>V-675</td> <td>122</td> <td>1/2</td> <td>2900</td> <td>1\"/&gt;  <tr> <td>U-25</td> <td>"</td> <td>"</td> <td>V-675</td> <td>122</td> <td>1/2</td> <td>2900</td> <td>1\"/&gt;  <tr> <td>U-26</td> <td>"</td> <td>"</td> <td>V-675</td> <td>122</td> <td>1/2</td> <td>2900</td> <td>1\"/&gt;  <tr> <td>U-27</td> <td>"</td> <td>"</td> <td>V-675</td> <td>122</td> <td>1/2</td> <td>2900</td> <td>1\"/&gt;  <tr> <td>U-28</td> <td>"</td> <td>"</td> <td>V-675</td> <td>122</td> <td>1/2</td> <td>2900</td> <td>1\"/&gt;  <tr> <td>U-29</td> <td>"</td> <td>"</td> <td>V-675</td> <td>122</td> <td>1/2</td> <td>2900</td> <td>1\"/&gt;  <tr> <td>U-30</td> <td>"</td> <td>"</td> <td>V-675</td> <td>122</td> <td>1/2</td> <td>2900</td> <td>1\"/&gt;  <tr> <td>U-31</td> <td>"</td> <td>"</td> <td>V-675</td> <td>122</td> <td>1/2</td> <td>2900</td> <td>1\"/&gt;  <tr> <td>U-32</td> <td>"</td> <td>"</td> <td>V-675</td> <td>122</td> <td>1/2</td> <td>2900</td> <td>1\"/&gt;  <tr> <td>U-33</td> <td>"</td> <td>"</td> <td>V-675</td> <td>122</td> <td>1/2</td> <td>2900</td> <td>1\"/&gt;  <tr> <td>U-34</td> <td>"</td> <td>"</td> <td>V-675</td> <td>122</td> <td>1/2</td> <td>2900</td> <td>1\"/&gt;  <tr> <td>U-35</td> <td>"</td> <td>"</td> <td>V-675</td> <td>122</td> <td>1/2</td> <td>2900</td> <td>1\"/&gt;  <tr> <td>U-36</td> <td>"</td> <td>"</td> <td>V-675</td> <td>122</td> <td>1/2</td> <td>2900</td> <td>1\"/&gt;  <tr> <td>U-37</td> <td>"</td> <td>"</td> <td>V-675</td> <td>122</td> <td>1/2</td> <td>2900</td> <td>1\"/&gt;  <tr> <td>U-38</td> <td>"</td> <td>"</td> <td>V-675</td> <td>122</td> <td>1/2</td> <td>2900</td> <td>1\"/&gt;  <tr> <td>U-39</td> <td>"</td> <td>"</td> <td>V-675</td> <td>122</td> <td>1/2</td> <td>2900</td> <td>1\"/&gt;  <tr> <td>U-40</td> <td>"</td> <td>"</td> <td>V-675</td> <td>122</td> <td>1/2</td> <td>2900</td> <td>1\"/&gt;  <tr> <td>U-41</td> <td>"</td> <td>"</td> <td>V-675</td> <td>122</td> <td>1/2</td> <td>2900</td> <td>1\"/&gt;  <tr> <td>U-42</td> <td>"</td> <td>"</td> <td>V-675</td> <td>122</td> <td>1/2</td> <td>2900</td> <td>1\"/&gt;  <tr> <td>U-43</td> <td>"</td> <td>"</td> <td>V-675</td> <td>122</td> <td>1/2</td> <td>2900</td> <td>1\"/&gt;  <tr> <td>U-44</td> <td>"</td> <td>"</td> <td>V-675</td> <td>122</td> <td>1/2</td> <td>2900</td> <td>1\"/&gt;  <tr> <td>U-45</td> <td>"</td> <td>"</td> <td>V-675</td> <td>122</td> <td>1/2</td> <td>2900</td> <td>1\"/&gt;  <tr> <td>U-46</td> <td>"</td> <td>"</td> <td>V-675</td> <td>122</td> <td>1/2</td> <td>2900</td> <td>1\"/&gt;  <tr> <td>U-47</td> <td>"</td> <td>"</td> <td>V-675</td> <td>122</td> <td>1/2</td> <td>2900</td> <td>1\"/&gt;  <tr> <td>U-48</td> <td>"</td> <td>"</td> <td>V-675</td> <td>122</td> <td>1/2</td> <td>2900</td> <td>1\"/&gt;  <tr> <td>U-49</td> <td>"</td> <td>"</td> <td>V-675</td> <td>122</td> <td>1/2</td> <td>2900</td> <td>1\"/&gt;  <tr> <td>U-50</td> <td>"</td> <td>"</td> <td>V-675</td> <td>122</td> <td>1/2</td> <td>2900</td> <td>1\"/&gt;  </td></tr></td></tr></td></tr></td></tr></td></tr></td></tr></td></tr></td></tr></td></tr></td></tr></td></tr></td></tr></td></tr></td></tr></td></tr></td></tr></td></tr></td></tr></td></tr></td></tr></td></tr></td></tr></td></tr></td></tr></td></tr></td></tr></td></tr></td></tr></td></tr></td></tr></td></tr>   
  | U-20 | " | " | V-675  | 122  | 1/2 | 2900 | 1\"/> <tr> <td>U-21</td> <td>"</td> <td>"</td> <td>V-675</td> <td>122</td> <td>1/2</td> <td>2900</td> <td>1\"/&gt;  <tr> <td>U-22</td> <td>"</td> <td>"</td> <td>V-675</td> <td>122</td> <td>1/2</td> <td>2900</td> <td>1\"/&gt;  <tr> <td>U-23</td> <td>"</td> <td>"</td> <td>V-675</td> <td>122</td> <td>1/2</td> <td>2900</td> <td>1\"/&gt;  <tr> <td>U-24</td> <td>"</td> <td>"</td> <td>V-675</td> <td>122</td> <td>1/2</td> <td>2900</td> <td>1\"/&gt;  <tr> <td>U-25</td> <td>"</td> <td>"</td> <td>V-675</td> <td>122</td> <td>1/2</td> <td>2900</td> <td>1\"/&gt;  <tr> <td>U-26</td> <td>"</td> <td>"</td> <td>V-675</td> <td>122</td> <td>1/2</td> <td>2900</td> <td>1\"/&gt;  <tr> <td>U-27</td> <td>"</td> <td>"</td> <td>V-675</td> <td>122</td> <td>1/2</td> <td>2900</td> <td>1\"/&gt;  <tr> <td>U-28</td> <td>"</td> <td>"</td> <td>V-675</td> <td>122</td> <td>1/2</td> <td>2900</td> <td>1\"/&gt;  <tr> <td>U-29</td> <td>"</td> <td>"</td> <td>V-675</td> <td>122</td> <td>1/2</td> <td>2900</td> <td>1\"/&gt;  <tr> <td>U-30</td> <td>"</td> <td>"</td> <td>V-675</td> <td>122</td> <td>1/2</td> <td>2900</td> <td>1\"/&gt;  <tr> <td>U-31</td> <td>"</td> <td>"</td> <td>V-675</td> <td>122</td> <td>1/2</td> <td>2900</td> <td>1\"/&gt;  <tr> <td>U-32</td> <td>"</td> <td>"</td> <td>V-675</td> <td>122</td> <td>1/2</td> <td>2900</td> <td>1\"/&gt;  <tr> <td>U-33</td> <td>"</td> <td>"</td> <td>V-675</td> <td>122</td> <td>1/2</td> <td>2900</td> <td>1\"/&gt;  <tr> <td>U-34</td> <td>"</td> <td>"</td> <td>V-675</td> <td>122</td> <td>1/2</td> <td>2900</td> <td>1\"/&gt;  <tr> <td>U-35</td> <td>"</td> <td>"</td> <td>V-675</td> <td>122</td> <td>1/2</td> <td>2900</td> <td>1\"/&gt;  <tr> <td>U-36</td> <td>"</td> <td>"</td> <td>V-675</td> <td>122</td> <td>1/2</td> <td>2900</td> <td>1\"/&gt;  <tr> <td>U-37</td> <td>"</td> <td>"</td> <td>V-675</td> <td>122</td> <td>1/2</td> <td>2900</td> <td>1\"/&gt;  <tr> <td>U-38</td> <td>"</td> <td>"</td> <td>V-675</td> <td>122</td> <td>1/2</td> <td>2900</td> <td>1\"/&gt;  <tr> <td>U-39</td> <td>"</td> <td>"</td> <td>V-675</td> <td>122</td> <td>1/2</td> <td>2900</td> <td>1\"/&gt;  <tr> <td>U-40</td> <td>"</td> <td>"</td> <td>V-675</td> <td>122</td> <td>1/2</td> <td>2900</td> <td>1\"/&gt;  <tr> <td>U-41</td> <td>"</td> <td>"</td> <td>V-675</td> <td>122</td> <td>1/2</td> <td>2900</td> <td>1\"/&gt;  <tr> <td>U-42</td> <td>"</td> <td>"</td> <td>V-675</td> <td>122</td> <td>1/2</td> <td>2900</td> <td>1\"/&gt;  <tr> <td>U-43</td> <td>"</td> <td>"</td> <td>V-675</td> <td>122</td> <td>1/2</td> <td>2900</td> <td>1\"/&gt;  <tr> <td>U-44</td> <td>"</td> <td>"</td> <td>V-675</td> <td>122</td> <td>1/2</td> <td>2900</td> <td>1\"/&gt;  <tr> <td>U-45</td> <td>"</td> <td>"</td> <td>V-675</td> <td>122</td> <td>1/2</td> <td>2900</td> <td>1\"/&gt;  <tr> <td>U-46</td> <td>"</td> <td>"</td> <td>V-675</td> <td>122</td> <td>1/2</td> <td>2900</td> <td>1\"/&gt;  <tr> <td>U-47</td> <td>"</td> <td>"</td> <td>V-675</td> <td>122</td> <td>1/2</td> <td>2900</td> <td>1\"/&gt;  <tr> <td>U-48</td> <td>"</td> <td>"</td> <td>V-675</td> <td>122</td> <td>1/2</td> <td>2900</td> <td>1\"/&gt;  <tr> <td>U-49</td> <td>"</td> <td>"</td> <td>V-675</td> <td>122</td> <td>1/2</td> <td>2900</td> <td>1\"/&gt;  <tr> <td>U-50</td> <td>"</td> <td>"</td> <td>V-675</td> <td>122</td> <td>1/2</td> <td>2900</td> <td>1\"/&gt;  </td></tr></td></tr></td></tr></td></tr></td></tr></td></tr></td></tr></td></tr></td></tr></td></tr></td></tr></td></tr></td></tr></td></tr></td></tr></td></tr></td></tr></td></tr></td></tr></td></tr></td></tr></td></tr></td></tr></td></tr></td></tr></td></tr></td></tr></td></tr></td></tr></td></tr>   | U-21 | " | " | V-675  | 122 | 1/2 | 2900 | 1\"/> <tr> <td>U-22</td> <td>"</td> <td>"</td> <td>V-675</td> <td>122</td> <td>1/2</td> <td>2900</td> <td>1\"/&gt;  <tr> <td>U-23</td> <td>"</td> <td>"</td> <td>V-675</td> <td>122</td> <td>1/2</td> <td>2900</td> <td>1\"/&gt;  <tr> <td>U-24</td> <td>"</td> <td>"</td> <td>V-675</td> <td>122</td> <td>1/2</td> <td>2900</td> <td>1\"/&gt;  <tr> <td>U-25</td> <td>"</td> <td>"</td> <td>V-675</td> <td>122</td> <td>1/2</td> <td>2900</td> <td>1\"/&gt;  <tr> <td>U-26</td> <td>"</td> <td>"</td> <td>V-675</td> <td>122</td> <td>1/2</td> <td>2900</td> <td>1\"/&gt;  <tr> <td>U-27</td> <td>"</td> <td>"</td> <td>V-675</td> <td>122</td> <td>1/2</td> <td>2900</td> <td>1\"/&gt;  <tr> <td>U-28</td> <td>"</td> <td>"</td> <td>V-675</td> <td>122</td> <td>1/2</td> <td>2900</td> <td>1\"/&gt;  <tr> <td>U-29</td> <td>"</td> <td>"</td> <td>V-675</td> <td>122</td> <td>1/2</td> <td>2900</td> <td>1\"/&gt;  <tr> <td>U-30</td> <td>"</td> <td>"</td> <td>V-675</td> <td>122</td> <td>1/2</td> <td>2900</td> <td>1\"/&gt;  <tr> <td>U-31</td> <td>"</td> <td>"</td> <td>V-675</td> <td>122</td> <td>1/2</td> <td>2900</td> <td>1\"/&gt;  <tr> <td>U-32</td> <td>"</td> <td>"</td> <td>V-675</td> <td>122</td> <td>1/2</td> <td>2900</td> <td>1\"/&gt;  <tr> <td>U-33</td> <td>"</td> <td>"</td> <td>V-675</td> <td>122</td> <td>1/2</td> <td>2900</td> <td>1\"/&gt;  <tr> <td>U-34</td> <td>"</td> <td>"</td> <td>V-675</td> <td>122</td> <td>1/2</td> <td>2900</td> <td>1\"/&gt;  <tr> <td>U-35</td> <td>"</td> <td>"</td> <td>V-675</td> <td>122</td> <td>1/2</td> <td>2900</td> <td>1\"/&gt;  <tr> <td>U-36</td> <td>"</td> <td>"</td> <td>V-675</td> <td>122</td> <td>1/2</td> <td>2900</td> <td>1\"/&gt;  <tr> <td>U-37</td> <td>"</td> <td>"</td> <td>V-675</td> <td>122</td> <td>1/2</td> <td>2900</td> <td>1\"/&gt;  <tr> <td>U-38</td> <td>"</td> <td>"</td> <td>V-675</td> <td>122</td> <td>1/2</td> <td>2900</td> <td>1\"/&gt;  <tr> <td>U-39</td> <td>"</td> <td>"</td> <td>V-675</td> <td>122</td> <td>1/2</td> <td>2900</td> <td>1\"/&gt;  <tr> <td>U-40</td> <td>"</td> <td>"</td> <td>V-675</td> <td>122</td> <td>1/2</td> <td>2900</td> <td>1\"/&gt;  <tr> <td>U-41</td> <td>"</td> <td>"</td> <td>V-675</td> <td>122</td> <td>1/2</td> <td>2900</td> <td>1\"/&gt;  <tr> <td>U-42</td> <td>"</td> <td>"</td> <td>V-675</td> <td>122</td> <td>1/2</td> <td>2900</td> <td>1\"/&gt;  <tr> <td>U-43</td> <td>"</td> <td>"</td> <td>V-675</td> <td>122</td> <td>1/2</td> <td>2900</td> <td>1\"/&gt;  <tr> <td>U-44</td> <td>"</td> <td>"</td> <td>V-675</td> <td>122</td> <td>1/2</td> <td>2900</td> <td>1\"/&gt;  <tr> <td>U-45</td> <td>"</td> <td>"</td> <td>V-675</td> <td>122</td> <td>1/2</td> <td>2900</td> <td>1\"/&gt;  <tr> <td>U-46</td> <td>"</td> <td>"</td> <td>V-675</td> <td>122</td> <td>1/2</td> <td>2900</td> <td>1\"/&gt;  <tr> <td>U-47</td> <td>"</td> <td>"</td> <td>V-675</td> <td>122</td> <td>1/2</td> <td>2900</td> <td>1\"/&gt;  <tr> <td>U-48</td> <td>"</td> <td>"</td> <td>V-675</td> <td>122</td> <td>1/2</td> <td>2900</td> <td>1\"/&gt;  <tr> <td>U-49</td> <td>"</td> <td>"</td> <td>V-675</td> <td>122</td> <td>1/2</td> <td>2900</td> <td>1\"/&gt;  <tr> <td>U-50</td> <td>"</td> <td>"</td> <td>V-675</td> <td>122</td> <td>1/2</td> <td>2900</td> <td>1\"/&gt;  </td></tr></td></tr></td></tr></td></tr></td></tr></td></tr></td></tr></td></tr></td></tr></td></tr></td></tr></td></tr></td></tr></td></tr></td></tr></td></tr></td></tr></td></tr></td></tr></td></tr></td></tr></td></tr></td></tr></td></tr></td></tr></td></tr></td></tr></td></tr></td></tr>   
   | U-22 | " | " | V-675 | 122 | 1/2 | 2900 | 1\"/> <tr> <td>U-23</td> <td>"</td> <td>"</td> <td>V-675</td> <td>122</td> <td>1/2</td> <td>2900</td> <td>1\"/&gt;  <tr> <td>U-24</td> <td>"</td> <td>"</td> <td>V-675</td> <td>122</td> <td>1/2</td> <td>2900</td> <td>1\"/&gt;  <tr> <td>U-25</td> <td>"</td> <td>"</td> <td>V-675</td> <td>122</td> <td>1/2</td> <td>2900</td> <td>1\"/&gt;  <tr> <td>U-26</td> <td>"</td> <td>"</td> <td>V-675</td> <td>122</td> <td>1/2</td> <td>2900</td> <td>1\"/&gt;  <tr> <td>U-27</td> <td>"</td> <td>"</td> <td>V-675</td> <td>122</td> <td>1/2</td> <td>2900</td> <td>1\"/&gt;  <tr> <td>U-28</td> <td>"</td> <td>"</td> <td>V-675</td> <td>122</td> <td>1/2</td> <td>2900</td> <td>1\"/&gt;  <tr> <td>U-29</td> <td>"</td> <td>"</td> <td>V-675</td> <td>122</td> <td>1/2</td> <td>2900</td> <td>1\"/&gt;  <tr> <td>U-30</td> <td>"</td> <td>"</td> <td>V-675</td> <td>122</td> <td>1/2</td> <td>2900</td> <td>1\"/&gt;  <tr> <td>U-31</td> <td>"</td> <td>"</td> <td>V-675</td> <td>122</td> <td>1/2</td> <td>2900</td> <td>1\"/&gt;  <tr> <td>U-32</td> <td>"</td> <td>"</td> <td>V-675</td> <td>122</td> <td>1/2</td> <td>2900</td> <td>1\"/&gt;  <tr> <td>U-33</td> <td>"</td> <td>"</td> <td>V-675</td> <td>122</td> <td>1/2</td> <td>2900</td> <td>1\"/&gt;  <tr> <td>U-34</td> <td>"</td> <td>"</td> <td>V-675</td> <td>122</td> <td>1/2</td> <td>2900</td> <td>1\"/&gt;  <tr> <td>U-35</td> <td>"</td> <td>"</td> <td>V-675</td> <td>122</td> <td>1/2</td> <td>2900</td> <td>1\"/&gt;  <tr> <td>U-36</td> <td>"</td> <td>"</td> <td>V-675</td> <td>122</td> <td>1/2</td> <td>2900</td> <td>1\"/&gt;  <tr> <td>U-37</td> <td>"</td> <td>"</td> <td>V-675</td> <td>122</td> <td>1/2</td> <td>2900</td> <td>1\"/&gt;  <tr> <td>U-38</td> <td>"</td> <td>"</td> <td>V-675</td> <td>122</td> <td>1/2</td> <td>2900</td> <td>1\"/&gt;  <tr> <td>U-39</td> <td>"</td> <td>"</td> <td>V-675</td> <td>122</td> <td>1/2</td> <td>2900</td> <td>1\"/&gt;  <tr> <td>U-40</td> <td>"</td> <td>"</td> <td>V-675</td> <td>122</td> <td>1/2</td> <td>2900</td> <td>1\"/&gt;  <tr> <td>U-41</td> <td>"</td> <td>"</td> <td>V-675</td> <td>122</td> <td>1/2</td> <td>2900</td> <td>1\"/&gt;  <tr> <td>U-42</td> <td>"</td> <td>"</td> <td>V-675</td> <td>122</td> <td>1/2</td> <td>2900</td> <td>1\"/&gt;  <tr> <td>U-43</td> <td>"</td> <td>"</td> <td>V-675</td> <td>122</td> <td>1/2</td> <td>2900</td> <td>1\"/&gt;  <tr> <td>U-44</td> <td>"</td> <td>"</td> <td>V-675</td> <td>122</td> <td>1/2</td> <td>2900</td> <td>1\"/&gt;  <tr> <td>U-45</td> <td>"</td> <td>"</td> <td>V-675</td> <td>122</td> <td>1/2</td> <td>2900</td> <td>1\"/&gt;  <tr> <td>U-46</td> <td>"</td> <td>"</td> <td>V-675</td> <td>122</td> <td>1/2</td> <td>2900</td> <td>1\"/&gt;  <tr> <td>U-47</td> <td>"</td> <td>"</td> <td>V-675</td> <td>122</td> <td>1/2</td> <td>2900</td> <td>1\"/&gt;  <tr> <td>U-48</td> <td>"</td> <td>"</td> <td>V-675</td> <td>122</td> <td>1/2</td> <td>2900</td> <td>1\"/&gt;  <tr> <td>U-49</td> <td>"</td> <td>"</td> <td>V-675</td> <td>122</td> <td>1/2</td> <td>2900</td> <td>1\"/&gt;  <tr> <td>U-50</td> <td>"</td> <td>"</td> <td>V-675</td> <td>122</td> <td>1/2</td> <td>2900</td> <td>1\"/&gt;  </td></tr></td></tr></td></tr></td></tr></td></tr></td></tr></td></tr></td></tr></td></tr></td></tr></td></tr></td></tr></td></tr></td></tr></td></tr></td></tr></td></tr></td></tr></td></tr></td></tr></td></tr></td></tr></td></tr></td></tr></td></tr></td></tr></td></tr></td></tr>  | U-23 | " | " | V-675 | 122 | 1/2 | 2900 | 1\"/> <tr> <td>U-24</td> <td>"</td> <td>"</td> <td>V-675</td> <td>122</td> <td>1/2</td> <td>2900</td> <td>1\"/&gt;  <tr> <td>U-25</td> <td>"</td> <td>"</td> <td>V-675</td> <td>122</td> <td>1/2</td> <td>2900</td> <td>1\"/&gt;  <tr> <td>U-26</td> <td>"</td> <td>"</td> <td>V-675</td> <td>122</td> <td>1/2</td> <td>2900</td> <td>1\"/&gt;  <tr> <td>U-27</td> <td>"</td> <td>"</td> <td>V-675</td> <td>122</td> <td>1/2</td> <td>2900</td> <td>1\"/&gt;  <tr> <td>U-28</td> <td>"</td> <td>"</td> <td>V-675</td> <td>122</td> <td>1/2</td> <td>2900</td> <td>1\"/&gt;  <tr> <td>U-29</td> <td>"</td> <td>"</td> <td>V-675</td> <td>122</td> <td>1/2</td> <td>2900</td> <td>1\"/&gt;  <tr> <td>U-30</td> <td>"</td> <td>"</td> <td>V-675</td> <td>122</td> <td>1/2</td> <td>2900</td> <td>1\"/&gt;  <tr> <td>U-31</td> <td>"</td> <td>"</td> <td>V-675</td> <td>122</td> <td>1/2</td> <td>2900</td> <td>1\"/&gt;  <tr> <td>U-32</td> <td>"</td> <td>"</td> <td>V-675</td> <td>122</td> <td>1/2</td> <td>2900</td> <td>1\"/&gt;  <tr> <td>U-33</td> <td>"</td> <td>"</td> <td>V-675</td> <td>122</td> <td>1/2</td> <td>2900</td> <td>1\"/&gt;  <tr> <td>U-34</td> <td>"</td> <td>"</td> <td>V-675</td> <td>122</td> <td>1/2</td> <td>2900</td> <td>1\"/&gt;  <tr> <td>U-35</td> <td>"</td> <td>"</td> <td>V-675</td> <td>122</td> <td>1/2</td> <td>2900</td> <td>1\"/&gt;  <tr> <td>U-36</td> <td>"</td> <td>"</td> <td>V-675</td> <td>122</td> <td>1/2</td> <td>2900</td> <td>1\"/&gt;  <tr> <td>U-37</td> <td>"</td> <td>"</td> <td>V-675</td> <td>122</td> <td>1/2</td> <td>2900</td> <td>1\"/&gt;  <tr> <td>U-38</td> <td>"</td> <td>"</td> <td>V-675</td> <td>122</td> <td>1/2</td> <td>2900</td> <td>1\"/&gt;  <tr> <td>U-39</td> <td>"</td> <td>"</td> <td>V-675</td> <td>122</td> <td>1/2</td> <td>2900</td> <td>1\"/&gt;  <tr> <td>U-40</td> <td>"</td> <td>"</td> <td>V-675</td> <td>122</td> <td>1/2</td> <td>2900</td> <td>1\"/&gt;  <tr> <td>U-41</td> <td>"</td> <td>"</td> <td>V-675</td> <td>122</td> <td>1/2</td> <td>2900</td> <td>1\"/&gt;  <tr> <td>U-42</td> <td>"</td> <td>"</td> <td>V-675</td> <td>122</td> <td>1/2</td> <td>2900</td> <td>1\"/&gt;  <tr> <td>U-43</td> <td>"</td> <td>"</td> <td>V-675</td> <td>122</td> <td>1/2</td> <td>2900</td> <td>1\"/&gt;  <tr> <td>U-44</td> <td>"</td> <td>"</td> <td>V-675</td> <td>122</td> <td>1/2</td> <td>2900</td> <td>1\"/&gt;  <tr> <td>U-45</td> <td>"</td> <td>"</td> <td>V-675</td> <td>122</td> <td>1/2</td> <td>2900</td> <td>1\"/&gt;  <tr> <td>U-46</td>
<td>"</td> <td>"</td> <td>V-675</td> <td>122</td> <td>1/2</td> <td>2900</td> <td>1\"/&gt;  <tr> <td>U-47</td> <td>"</td> <td>"</td> <td>V-675</td> <td>122</td> <td>1/2</td> <td>2900</td> <td>1\"/&gt;  <tr> <td>U-48</td> <td>"</td> <td>"</td> <td>V-675</td> <td>122</td> <td>1/2</td> <td>2900</td> <td>1\"/&gt;  <tr> <td>U-49</td> <td>"</td> <td>"</td> <td>V-675</td> <td>122</td> <td>1/2</td> <td>2900</td> <td>1\"/&gt;  <tr> <td>U-50</td> <td>"</td> <td>"</td> <td>V-675</td> <td>122</td> <td>1/2</td> <td>2900</td> <td>1\"/&gt;  </td></tr></td></tr></td></tr></td></tr></td></tr></td></tr></td></tr></td></tr></td></tr></td></tr></td></tr></td></tr></td></tr></td></tr></td></tr></td></tr></td></tr></td></tr></td></tr></td></tr></td></tr></td></tr></td></tr></td></tr></td></tr></td></tr></td></tr>   | U-24 | " | " | V-675 | 122 | 1/2 | 2900 | 1\"/> <tr> <td>U-25</td> <td>"</td> <td>"</td> <td>V-675</td> <td>122</td> <td>1/2</td> <td>2900</td> <td>1\"/&gt;  <tr> <td>U-26</td> <td>"</td> <td>"</td> <td>V-675</td> <td>122</td> <td>1/2</td> <td>2900</td> <td>1\"/&gt;  <tr> <td>U-27</td> <td>"</td> <td>"</td> <td>V-675</td> <td>122</td> <td>1/2</td> <td>2900</td> <td>1\"/&gt;  <tr> <td>U-28</td> <td>"</td> <td>"</td> <td>V-675</td> <td>122</td> <td>1/2</td> <td>2900</td> <td>1\"/&gt;  <tr> <td>U-29</td> <td>"</td> <td>"</td> <td>V-675</td> <td>122</td> <td>1/2</td> <td>2900</td> <td>1\"/&gt;  <tr> <td>U-30</td> <td>"</td> <td>"</td> <td>V-675</td> <td>122</td> <td>1/2</td> <td>2900</td> <td>1\"/&gt;  <tr> <td>U-31</td> <td>"</td> <td>"</td> <td>V-675</td> <td>122</td> <td>1/2</td> <td>2900</td> <td>1\"/&gt;  <tr> <td>U-32</td> <td>"</td> <td>"</td> <td>V-675</td> <td>122</td> <td>1/2</td> <td>2900</td> <td>1\"/&gt;  <tr> <td>U-33</td> <td>"</td> <td>"</td> <td>V-675</td> <td>122</td> <td>1/2</td> <td>2900</td> <td>1\"/&gt;  <tr> <td>U-34</td> <td>"</td> <td>"</td> <td>V-675</td> <td>122</td> <td>1/2</td> <td>2900</td> <td>1\"/&gt;  <tr> <td>U-35</td> <td>"</td> <td>"</td> <td>V-675</td> <td>122</td> <td>1/2</td> <td>2900</td> <td>1\"/&gt;  <tr> <td>U-36</td> <td>"</td> <td>"</td> <td>V-675</td> <td>122</td> <td>1/2</td> <td>2900</td> <td>1\"/&gt;  <tr> <td>U-37</td> <td>"</td> <td>"</td> <td>V-675</td> <td>122</td> <td>1/2</td> <td>2900</td> <td>1\"/&gt;  <tr> <td>U-38</td> <td>"</td> <td>"</td> <td>V-675</td> <td>122</td> <td>1/2</td> <td>2900</td> <td>1\"/&gt;  <tr> <td>U-39</td> <td>"</td> <td>"</td> <td>V-675</td> <td>122</td> <td>1/2</td> <td>2900</td> <td>1\"/&gt;  <tr> <td>U-40</td> <td>"</td> <td>"</td> <td>V-675</td> <td>122</td> <td>1/2</td> <td>2900</td> <td>1\"/&gt;  <tr> <td>U-41</td> <td>"</td> <td>"</td> <td>V-675</td> <td>122</td> <td>1/2</td> <td>2900</td> <td>1\"/&gt;  <tr> <td>U-42</td> <td>"</td> <td>"</td> <td>V-675</td> <td>122</td> <td>1/2</td> <td>2900</td> <td>1\"/&gt;  <tr> <td>U-43</td> <td>"</td> <td>"</td> <td>V-675</td> <td>122</td> <td>1/2</td> <td>2900</td> <td>1\"/&gt;  <tr> <td>U-44</td> <td>"</td> <td>"</td> <td>V-675</td> <td>122</td> <td>1/2</td> <td>2900</td> <td>1\"/&gt;  <tr> <td>U-45</td> <td>"</td> <td>"</td> <td>V-675</td> <td>122</td> <td>1/2</td> <td>2900</td> <td>1\"/&gt;  <tr> <td>U-46</td> <td>"</td> <td>"</td> <td>V-675</td> <td>122</td> <td>1/2</td> <td>2900</td> <td>1\"/&gt;  <tr> <td>U-47</td> <td>"</td> <td>"</td> <td>V-675</td> <td>122</td> <td>1/2</td> <td>2900</td> <td>1\"/&gt;  <tr> <td>U-48</td> <td>"</td> <td>"</td> <td>V-675</td> <td>122</td> <td>1/2</td> <td>2900</td> <td>1\"/&gt;  <tr> <td>U-49</td> <td>"</td> <td>"</td> <td>V-675</td> <td>122</td> <td>1/2</td> <td>2900</td> <td>1\"/&gt;  <tr> <td>U-50</td> <td>"</td> <td>"</td> <td>V-675</td> <td>122</td> <td>1/2</td> <td>2900</td> <td>1\"/&gt;  </td></tr></td></tr></td></tr></td></tr></td></tr></td></tr></td></tr></td></tr></td></tr></td></tr></td></tr></td></tr></td></tr></td></tr></td></tr></td></tr></td></tr></td></tr></td></tr></td></tr></td></tr></td></tr></td></tr></td></tr></td></tr></td></tr>  | U-25 | " | " | V-675 | 122 | 1/2 | 2900 | 1\"/> <tr> <td>U-26</td> <td>"</td> <td>"</td> <td>V-675</td> <td>122</td> <td>1/2</td> <td>2900</td> <td>1\"/&gt;  <tr> <td>U-27</td> <td>"</td> <td>"</td> <td>V-675</td> <td>122</td> <td>1/2</td> <td>2900</td> <td>1\"/&gt;  <tr> <td>U-28</td> <td>"</td> <td>"</td> <td>V-675</td> <td>122</td> <td>1/2</td> <td>2900</td> <td>1\"/&gt;  <tr> <td>U-29</td> <td>"</td> <td>"</td> <td>V-675</td> <td>122</td> <td>1/2</td> <td>2900</td> <td>1\"/&gt;  <tr> <td>U-30</td> <td>"</td> <td>"</td> <td>V-675</td> <td>122</td> <td>1/2</td> <td>2900</td> <td>1\"/&gt;  <tr> <td>U-31</td> <td>"</td> <td>"</td> <td>V-675</td> <td>122</td> <td>1/2</td> <td>2900</td> <td>1\"/&gt;  <tr> <td>U-32</td> <td>"</td> <td>"</td> <td>V-675</td> <td>122</td> <td>1/2</td> <td>2900</td> <td>1\"/&gt;  <tr> <td>U-33</td> <td>"</td> <td>"</td> <td>V-675</td> <td>122</td> <td>1/2</td> <td>2900</td> <td>1\"/&gt;  <tr> <td>U-34</td> <td>"</td> <td>"</td> <td>V-675</td> <td>122</td> <td>1/2</td> <td>2900</td> <td>1\"/&gt;  <tr> <td>U-35</td> <td>"</td> <td>"</td> <td>V-675</td> <td>122</td> <td>1/2</td> <td>2900</td> <td>1\"/&gt;  <tr> <td>U-36</td> <td>"</td> <td>"</td> <td>V-675</td> <td>122</td> <td>1/2</td> <td>2900</td> <td>1\"/&gt;  <tr> <td>U-37</td> <td>"</td> <td>"</td> <td>V-675</td> <td>122</td> <td>1/2</td> <td>2900</td> <td>1\"/&gt;  <tr> <td>U-38</td> <td>"</td> <td>"</td> <td>V-675</td> <td>122</td> <td>1/2</td> <td>2900</td> <td>1\"/&gt;  <tr> <td>U-39</td> <td>"</td> <td>"</td> <td>V-675</td> <td>122</td> <td>1/2</td> <td>2900</td> <td>1\"/&gt;  <tr> <td>U-40</td> <td>"</td> <td>"</td> <td>V-675</td> <td>122</td> <td>1/2</td> <td>2900</td> <td>1\"/&gt;  <tr>
<td>U-41</td> <td>"</td> <td>"</td> <td>V-675</td> <td>122</td> <td>1/2</td> <td>2900</td> <td>1\"/&gt;  <tr> <td>U-42</td> <td>"</td> <td>"</td> <td>V-675</td> <td>122</td> <td>1/2</td> <td>2900</td> <td>1\"/&gt;  <tr> <td>U-43</td> <td>"</td> <td>"</td> <td>V-675</td> <td>122</td> <td>1/2</td> <td>2900</td> <td>1\"/&gt;  <tr> <td>U-44</td> <td>"</td> <td>"</td> <td>V-675</td> <td>122</td> <td>1/2</td> <td>2900</td> <td>1\"/&gt;  <tr> <td>U-45</td> <td>"</td> <td>"</td> <td>V-675</td> <td>122</td> <td>1/2</td> <td>2900</td> <td>1\"/&gt;  <tr> <td>U-46</td> <td>"</td> <td>"</td> <td>V-675</td> <td>122</td> <td>1/2</td> <td>2900</td> <td>1\"/&gt;  <tr> <td>U-47</td> <td>"</td> <td>"</td> <td>V-675</td> <td>122</td> <td>1/2</td> <td>2900</td> <td>1\"/&gt;  <tr> <td>U-48</td> <td>"</td> <td>"</td> <td>V-675</td> <td>122</td> <td>1/2</td> <td>2900</td> <td>1\"/&gt;  <tr> <td>U-49</td> <td>"</td> <td>"</td> <td>V-675</td> <td>122</td> <td>1/2</td> <td>2900</td> <td>1\"/&gt;  <tr> <td>U-50</td> <td>"</td> <td>"</td> <td>V-675</td> <td>122</td> <td>1/2</td> <td>2900</td> <td>1\"/&gt;  </td></tr></td></tr></td></tr></td></tr></td></tr></td></tr></td></tr></td></tr></td></tr></td></tr></td></tr></td></tr></td></tr></td></tr></td></tr></td></tr></td></tr></td></tr></td></tr></td></tr></td></tr></td></tr></td></tr></td></tr></td></tr>   | U-26 | " | " | V-675 | 122 | 1/2 | 2900 | 1\"/> <tr> <td>U-27</td> <td>"</td> <td>"</td> <td>V-675</td> <td>122</td> <td>1/2</td> <td>2900</td> <td>1\"/&gt;  <tr> <td>U-28</td> <td>"</td> <td>"</td> <td>V-675</td> <td>122</td> <td>1/2</td> <td>2900</td> <td>1\"/&gt;  <tr> <td>U-29</td> <td>"</td> <td>"</td> <td>V-675</td> <td>122</td> <td>1/2</td> <td>2900</td> <td>1\"/&gt;  <tr> <td>U-30</td> <td>"</td> <td>"</td> <td>V-675</td> <td>122</td> <td>1/2</td> <td>2900</td> <td>1\"/&gt;  <tr> <td>U-31</td> <td>"</td> <td>"</td> <td>V-675</td> <td>122</td> <td>1/2</td> <td>2900</td> <td>1\"/&gt;  <tr> <td>U-32</td> <td>"</td> <td>"</td> <td>V-675</td> <td>122</td> <td>1/2</td> <td>2900</td> <td>1\"/&gt;  <tr> <td>U-33</td> <td>"</td> <td>"</td> <td>V-675</td> <td>122</td> <td>1/2</td> <td>2900</td> <td>1\"/&gt;  <tr> <td>U-34</td> <td>"</td> <td>"</td> <td>V-675</td> <td>122</td> <td>1/2</td> <td>2900</td> <td>1\"/&gt;  <tr> <td>U-35</td> <td>"</td> <td>"</td> <td>V-675</td> <td>122</td> <td>1/2</td> <td>2900</td> <td>1\"/&gt;  <tr> <td>U-36</td> <td>"</td> <td>"</td> <td>V-675</td> <td>122</td> <td>1/2</td> <td>2900</td> <td>1\"/&gt;  <tr> <td>U-37</td> <td>"</td> <td>"</td> <td>V-675</td> <td>122</td> <td>1/2</td> <td>2900</td> <td>1\"/&gt;  <tr> <td>U-38</td> <td>"</td> <td>"</td> <td>V-675</td> <td>122</td> <td>1/2</td> <td>2900</td> <td>1\"/&gt;  <tr> <td>U-39</td> <td>"</td> <td>"</td> <td>V-675</td> <td>122</td> <td>1/2</td> <td>2900</td> <td>1\"/&gt;  <tr> <td>U-40</td> <td>"</td> <td>"</td> <td>V-675</td> <td>122</td> <td>1/2</td> <td>2900</td> <td>1\"/&gt;  <tr> <td>U-41</td> <td>"</td> <td>"</td> <td>V-675</td> <td>122</td> <td>1/2</td> <td>2900</td> <td>1\"/&gt;  <tr> <td>U-42</td> <td>"</td> <td>"</td> <td>V-675</td> <td>122</td> <td>1/2</td> <td>2900</td> <td>1\"/&gt;  <tr> <td>U-43</td> <td>"</td> <td>"</td> <td>V-675</td> <td>122</td> <td>1/2</td> <td>2900</td> <td>1\"/&gt;  <tr> <td>U-44</td> <td>"</td> <td>"</td> <td>V-675</td> <td>122</td> <td>1/2</td> <td>2900</td> <td>1\"/&gt;  <tr> <td>U-45</td> <td>"</td> <td>"</td> <td>V-675</td> <td>122</td> <td>1/2</td> <td>2900</td> <td>1\"/&gt;  <tr> <td>U-46</td> <td>"</td> <td>"</td> <td>V-675</td> <td>122</td> <td>1/2</td> <td>2900</td> <td>1\"/&gt;  <tr> <td>U-47</td> <td>"</td> <td>"</td> <td>V-675</td> <td>122</td> <td>1/2</td> <td>2900</td> <td>1\"/&gt;  <tr> <td>U-48</td> <td>"</td> <td>"</td> <td>V-675</td> <td>122</td> <td>1/2</td> <td>2900</td> <td>1\"/&gt;  <tr> <td>U-49</td> <td>"</td> <td>"</td> <td>V-675</td> <td>122</td> <td>1/2</td> <td>2900</td> <td>1\"/&gt;  <tr> <td>U-50</td> <td>"</td> <td>"</td> <td>V-675</td> <td>122</td> <td>1/2</td> <td>2900</td> <td>1\"/&gt;  </td></tr></td></tr></td></tr></td></tr></td></tr></td></tr></td></tr></td></tr></td></tr></td></tr></td></tr></td></tr></td></tr></td></tr></td></tr></td></tr></td></tr></td></tr></td></tr></td></tr></td></tr></td></tr></td></tr></td></tr>  | U-27 | " | " | V-675 | 122 | 1/2 | 2900 | 1\"/> <tr> <td>U-28</td> <td>"</td> <td>"</td> <td>V-675</td> <td>122</td> <td>1/2</td> <td>2900</td> <td>1\"/&gt;  <tr> <td>U-29</td> <td>"</td> <td>"</td> <td>V-675</td> <td>122</td> <td>1/2</td> <td>2900</td> <td>1\"/&gt;  <tr> <td>U-30</td> <td>"</td> <td>"</td> <td>V-675</td> <td>122</td> <td>1/2</td> <td>2900</td> <td>1\"/&gt;  <tr> <td>U-31</td> <td>"</td> <td>"</td> <td>V-675</td> <td>122</td> <td>1/2</td> <td>2900</td> <td>1\"/&gt;  <tr> <td>U-32</td> <td>"</td> <td>"</td> <td>V-675</td> <td>122</td> <td>1/2</td> <td>2900</td> <td>1\"/&gt;  <tr> <td>U-33</td> <td>"</td> <td>"</td> <td>V-675</td> <td>122</td> <td>1/2</td> <td>2900</td> <td>1\"/&gt;  <tr> <td>U-34</td> <td>"</td> <td>"</td> <td>V-675</td> <td>122</td> <td>1/2</td> <td>2900</td> <td>1\"/&gt;  <tr> <td>U-35</td> <td>"</td> <td>"</td> <td>V-675</td> <td>122</td> <td>1/2</td> <td>2900</td> <td>1\"/&gt;  <tr> <td>U-36</td> <td>"</td> <td>"</td> <td>V-675</td> <td>122</td> <td>1/2</td> <td>2900</td> <td>1\"/&gt;  <tr> <td>U-37</td> <td>"</td> <td>"</td> <td>V-675</td> <td>122</td> <td>1/2</td> <td>2900</td> <td>1\"/&gt;  <tr> <td>U-38</td> <td>"</td> <td>"</td> <td>V-675</td> <td>122</td> <td>1/2</td> <td>2900</td> <td>1\"/&gt;  <tr> <td>U-39</td> <td>"</td> <td>"</td> <td>V-675</td> <td>122</td> <td>1/2</td> <td>2900</td> <td>1\"/&gt;  <tr> <td>U-40</td> <td>"</td>
<td>"</td> <td>V-675</td> <td>122</td> <td>1/2</td> <td>2900</td> <td>1\"/&gt;  <tr> <td>U-41</td> <td>"</td> <td>"</td> <td>V-675</td> <td>122</td> <td>1/2</td> <td>2900</td> <td>1\"/&gt;  <tr> <td>U-42</td> <td>"</td> <td>"</td> <td>V-675</td> <td>122</td> <td>1/2</td> <td>2900</td> <td>1\"/&gt;  <tr> <td>U-43</td> <td>"</td> <td>"</td> <td>V-675</td> <td>122</td> <td>1/2</td> <td>2900</td> <td>1\"/&gt;  <tr> <td>U-44</td> <td>"</td> <td>"</td> <td>V-675</td> <td>122</td> <td>1/2</td> <td>2900</td> <td>1\"/&gt;  <tr> <td>U-45</td> <td>"</td> <td>"</td> <td>V-675</td> <td>122</td> <td>1/2</td> <td>2900</td> <td>1\"/&gt;  <tr> <td>U-46</td> <td>"</td> <td>"</td> <td>V-675</td> <td>122</td> <td>1/2</td> <td>2900</td> <td>1\"/&gt;  <tr> <td>U-47</td> <td>"</td> <td>"</td> <td>V-675</td> <td>122</td> <td>1/2</td> <td>2900</td> <td>1\"/&gt;  <tr> <td>U-48</td> <td>"</td> <td>"</td> <td>V-675</td> <td>122</td> <td>1/2</td> <td>2900</td> <td>1\"/&gt;  <tr> <td>U-49</td> <td>"</td> <td>"</td> <td>V-675</td> <td>122</td> <td>1/2</td> <td>2900</td> <td>1\"/&gt;  <tr> <td>U-50</td> <td>"</td> <td>"</td> <td>V-675</td> <td>122</td> <td>1/2</td> <td>2900</td> <td>1\"/&gt;  </td></tr></td></tr></td></tr></td></tr></td></tr></td></tr></td></tr></td></tr></td></tr></td></tr></td></tr></td></tr></td></tr></td></tr></td></tr></td></tr></td></tr></td></tr></td></tr></td></tr></td></tr></td></tr></td></tr>   | U-28 | " | " | V-675 | 122 | 1/2 | 2900 | 1\"/> <tr> <td>U-29</td> <td>"</td> <td>"</td> <td>V-675</td> <td>122</td> <td>1/2</td> <td>2900</td> <td>1\"/&gt;  <tr> <td>U-30</td> <td>"</td> <td>"</td> <td>V-675</td> <td>122</td> <td>1/2</td> <td>2900</td> <td>1\"/&gt;  <tr> <td>U-31</td> <td>"</td> <td>"</td> <td>V-675</td> <td>122</td> <td>1/2</td> <td>2900</td> <td>1\"/&gt;  <tr> <td>U-32</td> <td>"</td> <td>"</td> <td>V-675</td> <td>122</td> <td>1/2</td> <td>2900</td> <td>1\"/&gt;  <tr> <td>U-33</td> <td>"</td> <td>"</td> <td>V-675</td> <td>122</td> <td>1/2</td> <td>2900</td> <td>1\"/&gt;  <tr> <td>U-34</td> <td>"</td> <td>"</td> <td>V-675</td> <td>122</td> <td>1/2</td> <td>2900</td> <td>1\"/&gt;  <tr> <td>U-35</td> <td>"</td> <td>"</td> <td>V-675</td> <td>122</td> <td>1/2</td> <td>2900</td> <td>1\"/&gt;  <tr> <td>U-36</td> <td>"</td> <td>"</td> <td>V-675</td> <td>122</td> <td>1/2</td> <td>2900</td> <td>1\"/&gt;  <tr> <td>U-37</td> <td>"</td> <td>"</td> <td>V-675</td> <td>122</td> <td>1/2</td> <td>2900</td> <td>1\"/&gt;  <tr> <td>U-38</td> <td>"</td> <td>"</td> <td>V-675</td> <td>122</td> <td>1/2</td> <td>2900</td> <td>1\"/&gt;  <tr> <td>U-39</td> <td>"</td> <td>"</td> <td>V-675</td> <td>122</td> <td>1/2</td> <td>2900</td> <td>1\"/&gt;  <tr> <td>U-40</td> <td>"</td> <td>"</td> <td>V-675</td> <td>122</td> <td>1/2</td> <td>2900</td> <td>1\"/&gt;  <tr> <td>U-41</td> <td>"</td> <td>"</td> <td>V-675</td> <td>122</td> <td>1/2</td> <td>2900</td> <td>1\"/&gt;  <tr> <td>U-42</td> <td>"</td> <td>"</td> <td>V-675</td> <td>122</td> <td>1/2</td> <td>2900</td> <td>1\"/&gt;  <tr> <td>U-43</td> <td>"</td> <td>"</td> <td>V-675</td> <td>122</td> <td>1/2</td> <td>2900</td> <td>1\"/&gt;  <tr> <td>U-44</td> <td>"</td> <td>"</td> <td>V-675</td> <td>122</td> <td>1/2</td> <td>2900</td> <td>1\"/&gt;  <tr> <td>U-45</td> <td>"</td> <td>"</td> <td>V-675</td> <td>122</td> <td>1/2</td> <td>2900</td> <td>1\"/&gt;  <tr> <td>U-46</td> <td>"</td> <td>"</td> <td>V-675</td> <td>122</td> <td>1/2</td> <td>2900</td> <td>1\"/&gt;  <tr> <td>U-47</td> <td>"</td> <td>"</td> <td>V-675</td> <td>122</td> <td>1/2</td> <td>2900</td> <td>1\"/&gt;  <tr> <td>U-48</td> <td>"</td> <td>"</td> <td>V-675</td> <td>122</td> <td>1/2</td> <td>2900</td> <td>1\"/&gt;  <tr> <td>U-49</td> <td>"</td> <td>"</td> <td>V-675</td> <td>122</td> <td>1/2</td> <td>2900</td> <td>1\"/&gt;  <tr> <td>U-50</td> <td>"</td> <td>"</td> <td>V-675</td> <td>122</td> <td>1/2</td> <td>2900</td> <td>1\"/&gt;  </td></tr></td></tr></td></tr></td></tr></td></tr></td></tr></td></tr></td></tr></td></tr></td></tr></td></tr></td></tr></td></tr></td></tr></td></tr></td></tr></td></tr></td></tr></td></tr></td></tr></td></tr></td></tr>   | U-29 | " | " | V-675 | 122 | 1/2 | 2900 | 1\"/> <tr> <td>U-30</td> <td>"</td> <td>"</td> <td>V-675</td> <td>122</td> <td>1/2</td> <td>2900</td> <td>1\"/&gt;  <tr> <td>U-31</td> <td>"</td> <td>"</td> <td>V-675</td> <td>122</td> <td>1/2</td> <td>2900</td> <td>1\"/&gt;  <tr> <td>U-32</td> <td>"</td> <td>"</td> <td>V-675</td> <td>122</td> <td>1/2</td> <td>2900</td> <td>1\"/&gt;  <tr> <td>U-33</td> <td>"</td> <td>"</td> <td>V-675</td> <td>122</td> <td>1/2</td> <td>2900</td> <td>1\"/&gt;  <tr> <td>U-34</td> <td>"</td> <td>"</td> <td>V-675</td> <td>122</td> <td>1/2</td> <td>2900</td> <td>1\"/&gt;  <tr> <td>U-35</td> <td>"</td> <td>"</td> <td>V-675</td> <td>122</td> <td>1/2</td> <td>2900</td> <td>1\"/&gt;  <tr> <td>U-36</td> <td>"</td> <td>"</td> <td>V-675</td> <td>122</td> <td>1/2</td> <td>2900</td> <td>1\"/&gt;  <tr> <td>U-37</td> <td>"</td> <td>"</td> <td>V-675</td> <td>122</td> <td>1/2</td> <td>2900</td> <td>1\"/&gt;  <tr> <td>U-38</td> <td>"</td> <td>"</td> <td>V-675</td> <td>122</td> <td>1/2</td> <td>2900</td> <td>1\"/&gt;  <tr> <td>U-39</td> <td>"</td> <td>"</td> <td>V-675</td> <td>122</td> <td>1/2</td> <td>2900</td> <td>1\"/&gt;  <tr> <td>U-40</td> <td>"</td> <td>"</td> <td>V-675</td> <td>122</td> <td>1/2</td> <td>2900</td> <td>1\"/&gt;  <tr> <td>U-41</td> <td>"</td> <td>"</td> <td>V-675</td> <td>122</td> <td>1/2</td> <td>2900</td> <td>1\"/&gt;  <tr> <td>U-42</td> <td>"</td> <td>"</td> <td>V-675</td> <td>122</td> <td>1/2</td> <td>2900</td> <td>1\"/&gt;  <tr> <td>U-43</td> <td>"</td> <td>"</td> <td>V-675</td> <td>122</td> <td>1/2</td> <td>2900</td>
<td>1\"/&gt;  <tr> <td>U-44</td> <td>"</td> <td>"</td> <td>V-675</td> <td>122</td> <td>1/2</td> <td>2900</td> <td>1\"/&gt;  <tr> <td>U-45</td> <td>"</td> <td>"</td> <td>V-675</td> <td>122</td> <td>1/2</td> <td>2900</td> <td>1\"/&gt;  <tr> <td>U-46</td> <td>"</td> <td>"</td> <td>V-675</td> <td>122</td> <td>1/2</td> <td>2900</td> <td>1\"/&gt;  <tr> <td>U-47</td> <td>"</td> <td>"</td> <td>V-675</td> <td>122</td> <td>1/2</td> <td>2900</td> <td>1\"/&gt;  <tr> <td>U-48</td> <td>"</td> <td>"</td> <td>V-675</td> <td>122</td> <td>1/2</td> <td>2900</td> <td>1\"/&gt;  <tr> <td>U-49</td> <td>"</td> <td>"</td> <td>V-675</td> <td>122</td> <td>1/2</td> <td>2900</td> <td>1\"/&gt;  <tr> <td>U-50</td> <td>"</td> <td>"</td> <td>V-675</td> <td>122</td> <td>1/2</td> <td>2900</td> <td>1\"/&gt;  </td></tr></td></tr></td></tr></td></tr></td></tr></td></tr></td></tr></td></tr></td></tr></td></tr></td></tr></td></tr></td></tr></td></tr></td></tr></td></tr></td></tr></td></tr></td></tr></td></tr></td></tr>   | U-30 | " | " | V-675 | 122 | 1/2 | 2900 | 1\"/> <tr> <td>U-31</td> <td>"</td> <td>"</td> <td>V-675</td> <td>122</td> <td>1/2</td> <td>2900</td> <td>1\"/&gt;  <tr> <td>U-32</td> <td>"</td> <td>"</td> <td>V-675</td> <td>122</td> <td>1/2</td> <td>2900</td> <td>1\"/&gt;  <tr> <td>U-33</td> <td>"</td> <td>"</td> <td>V-675</td> <td>122</td> <td>1/2</td> <td>2900</td> <td>1\"/&gt;  <tr> <td>U-34</td> <td>"</td> <td>"</td> <td>V-675</td> <td>122</td> <td>1/2</td> <td>2900</td> <td>1\"/&gt;  <tr> <td>U-35</td> <td>"</td> <td>"</td> <td>V-675</td> <td>122</td> <td>1/2</td> <td>2900</td> <td>1\"/&gt;  <tr> <td>U-36</td> <td>"</td> <td>"</td> <td>V-675</td> <td>122</td> <td>1/2</td> <td>2900</td> <td>1\"/&gt;  <tr> <td>U-37</td> <td>"</td> <td>"</td> <td>V-675</td> <td>122</td> <td>1/2</td> <td>2900</td> <td>1\"/&gt;  <tr> <td>U-38</td> <td>"</td> <td>"</td> <td>V-675</td> <td>122</td> <td>1/2</td> <td>2900</td> <td>1\"/&gt;  <tr> <td>U-39</td> <td>"</td> <td>"</td> <td>V-675</td> <td>122</td> <td>1/2</td> <td>2900</td> <td>1\"/&gt;  <tr> <td>U-40</td> <td>"</td> <td>"</td> <td>V-675</td> <td>122</td> <td>1/2</td> <td>2900</td> <td>1\"/&gt;  <tr> <td>U-41</td> <td>"</td> <td>"</td> <td>V-675</td> <td>122</td> <td>1/2</td> <td>2900</td> <td>1\"/&gt;  <tr> <td>U-42</td> <td>"</td> <td>"</td> <td>V-675</td> <td>122</td> <td>1/2</td> <td>2900</td> <td>1\"/&gt;  <tr> <td>U-43</td> <td>"</td> <td>"</td> <td>V-675</td> <td>122</td> <td>1/2</td> <td>2900</td> <td>1\"/&gt;  <tr> <td>U-44</td> <td>"</td> <td>"</td> <td>V-675</td> <td>122</td> <td>1/2</td> <td>2900</td> <td>1\"/&gt;  <tr> <td>U-45</td> <td>"</td> <td>"</td> <td>V-675</td> <td>122</td> <td>1/2</td> <td>2900</td> <td>1\"/&gt;  <tr> <td>U-46</td> <td>"</td> <td>"</td> <td>V-675</td> <td>122</td> <td>1/2</td> <td>2900</td> <td>1\"/&gt;  <tr> <td>U-47</td> <td>"</td> <td>"</td> <td>V-675</td> <td>122</td> <td>1/2</td> <td>2900</td> <td>1\"/&gt;  <tr> <td>U-48</td> <td>"</td> <td>"</td> <td>V-675</td> <td>122</td> <td>1/2</td> <td>2900</td> <td>1\"/&gt;  <tr> <td>U-49</td> <td>"</td> <td>"</td> <td>V-675</td> <td>122</td> <td>1/2</td> <td>2900</td> <td>1\"/&gt;  <tr> <td>U-50</td> <td>"</td> <td>"</td> <td>V-675</td> <td>122</td> <td>1/2</td> <td>2900</td> <td>1\"/&gt;  </td></tr></td></tr></td></tr></td></tr></td></tr></td></tr></td></tr></td></tr></td></tr></td></tr></td></tr></td></tr></td></tr></td></tr></td></tr></td></tr></td></tr></td></tr></td></tr></td></tr>   | U-31 | " | " | V-675 | 122 | 1/2 | 2900 | 1\"/> <tr> <td>U-32</td> <td>"</td> <td>"</td> <td>V-675</td> <td>122</td> <td>1/2</td> <td>2900</td> <td>1\"/&gt;  <tr> <td>U-33</td> <td>"</td> <td>"</td> <td>V-675</td> <td>122</td> <td>1/2</td> <td>2900</td> <td>1\"/&gt;  <tr> <td>U-34</td> <td>"</td> <td>"</td> <td>V-675</td> <td>122</td> <td>1/2</td> <td>2900</td> <td>1\"/&gt;  <tr> <td>U-35</td> <td>"</td> <td>"</td> <td>V-675</td> <td>122</td> <td>1/2</td> <td>2900</td> <td>1\"/&gt;  <tr> <td>U-36</td> <td>"</td> <td>"</td> <td>V-675</td> <td>122</td> <td>1/2</td> <td>2900</td> <td>1\"/&gt;  <tr> <td>U-37</td> <td>"</td> <td>"</td> <td>V-675</td> <td>122</td> <td>1/2</td> <td>2900</td> <td>1\"/&gt;  <tr> <td>U-38</td> <td>"</td> <td>"</td> <td>V-675</td> <td>122</td> <td>1/2</td> <td>2900</td> <td>1\"/&gt;  <tr> <td>U-39</td> <td>"</td> <td>"</td> <td>V-675</td> <td>122</td> <td>1/2</td> <td>2900</td> <td>1\"/&gt;  <tr> <td>U-40</td> <td>"</td> <td>"</td> <td>V-675</td> <td>122</td> <td>1/2</td> <td>2900</td> <td>1\"/&gt;  <tr> <td>U-41</td> <td>"</td> <td>"</td> <td>V-675</td> <td>122</td> <td>1/2</td> <td>2900</td> <td>1\"/&gt;  <tr> <td>U-42</td> <td>"</td> <td>"</td> <td>V-675</td> <td>122</td> <td>1/2</td> <td>2900</td> <td>1\"/&gt;  <tr> <td>U-43</td> <td>"</td> <td>"</td> <td>V-675</td> <td>122</td> <td>1/2</td> <td>2900</td> <td>1\"/&gt;  <tr> <td>U-44</td> <td>"</td> <td>"</td> <td>V-675</td> <td>122</td> <td>1/2</td> <td>2900</td> <td>1\"/&gt;  <tr> <td>U-45</td> <td>"</td> <td>"</td> <td>V-675</td> <td>122</td> <td>1/2</td> <td>2900</td> <td>1\"/&gt;  <tr> <td>U-46</td> <td>"</td> <td>"</td> <td>V-675</td> <td>122</td> <td>1/2</td> <td>2900</td> <td>1\"/&gt;  <tr> <td>U-47</td> <td>"</td> <td>"</td> <td>V-675</td> <td>122</td> <td>1/2</td> <td>2900</td> <td>1\"/&gt;  <tr> <td>U-48</td> <td>"</td> <td>"</td> <td>V-675</td> <td>122</td> <td>1/2</td> <td>2900</td> <td>1\"/&gt;  <tr> <td>U-49</td> <td>"</td> <td>"</td> <td>V-675</td> <td>122</td> <td>1/2</td> <td>2900</td> <td>1\"/&gt;  <tr> <td>U-50</td> <td>"</td> <td>"</td> <td>V-675</td> <td>122</td> <td>1/2</td> <td>2900</td> <td>1\"/&gt; 
</td></tr></td></tr></td></tr></td></tr></td></tr></td></tr></td></tr></td></tr></td></tr></td></tr></td></tr></td></tr></td></tr></td></tr></td></tr></td></tr></td></tr></td></tr></td></tr>   | U-32 | " | " | V-675 | 122 | 1/2 | 2900 | 1\"/> <tr> <td>U-33</td> <td>"</td> <td>"</td> <td>V-675</td> <td>122</td> <td>1/2</td> <td>2900</td> <td>1\"/&gt;  <tr> <td>U-34</td> <td>"</td> <td>"</td> <td>V-675</td> <td>122</td> <td>1/2</td> <td>2900</td> <td>1\"/&gt;  <tr> <td>U-35</td> <td>"</td> <td>"</td> <td>V-675</td> <td>122</td> <td>1/2</td> <td>2900</td> <td>1\"/&gt;  <tr> <td>U-36</td> <td>"</td> <td>"</td> <td>V-675</td> <td>122</td> <td>1/2</td> <td>2900</td> <td>1\"/&gt;  <tr> <td>U-37</td> <td>"</td> <td>"</td> <td>V-675</td> <td>122</td> <td>1/2</td> <td>2900</td> <td>1\"/&gt;  <tr> <td>U-38</td> <td>"</td> <td>"</td> <td>V-675</td> <td>122</td> <td>1/2</td> <td>2900</td> <td>1\"/&gt;  <tr> <td>U-39</td> <td>"</td> <td>"</td> <td>V-675</td> <td>122</td> <td>1/2</td> <td>2900</td> <td>1\"/&gt;  <tr> <td>U-40</td> <td>"</td> <td>"</td> <td>V-675</td> <td>122</td> <td>1/2</td> <td>2900</td> <td>1\"/&gt;  <tr> <td>U-41</td> <td>"</td> <td>"</td> <td>V-675</td> <td>122</td> <td>1/2</td> <td>2900</td> <td>1\"/&gt;  <tr> <td>U-42</td> <td>"</td> <td>"</td> <td>V-675</td> <td>122</td> <td>1/2</td> <td>2900</td> <td>1\"/&gt;  <tr> <td>U-43</td> <td>"</td> <td>"</td> <td>V-675</td> <td>122</td> <td>1/2</td> <td>2900</td> <td>1\"/&gt;  <tr> <td>U-44</td> <td>"</td> <td>"</td> <td>V-675</td> <td>122</td> <td>1/2</td> <td>2900</td> <td>1\"/&gt;  <tr> <td>U-45</td> <td>"</td> <td>"</td> <td>V-675</td> <td>122</td> <td>1/2</td> <td>2900</td> <td>1\"/&gt;  <tr> <td>U-46</td> <td>"</td> <td>"</td> <td>V-675</td> <td>122</td> <td>1/2</td> <td>2900</td> <td>1\"/&gt;  <tr> <td>U-47</td> <td>"</td> <td>"</td> <td>V-675</td> <td>122</td> <td>1/2</td> <td>2900</td> <td>1\"/&gt;  <tr> <td>U-48</td> <td>"</td> <td>"</td> <td>V-675</td> <td>122</td> <td>1/2</td> <td>2900</td> <td>1\"/&gt;  <tr> <td>U-49</td> <td>"</td> <td>"</td> <td>V-675</td> <td>122</td> <td>1/2</td> <td>2900</td> <td>1\"/&gt;  <tr> <td>U-50</td> <td>"</td> <td>"</td> <td>V-675</td> <td>122</td> <td>1/2</td> <td>2900</td> <td>1\"/&gt;  </td></tr></td></tr></td></tr></td></tr></td></tr></td></tr></td></tr></td></tr></td></tr></td></tr></td></tr></td></tr></td></tr></td></tr></td></tr></td></tr></td></tr></td></tr>   | U-33 | " | " | V-675 | 122 | 1/2 | 2900 | 1\"/> <tr> <td>U-34</td> <td>"</td> <td>"</td> <td>V-675</td> <td>122</td> <td>1/2</td> <td>2900</td> <td>1\"/&gt;  <tr> <td>U-35</td> <td>"</td> <td>"</td> <td>V-675</td> <td>122</td> <td>1/2</td> <td>2900</td> <td>1\"/&gt;  <tr> <td>U-36</td> <td>"</td> <td>"</td> <td>V-675</td> <td>122</td> <td>1/2</td> <td>2900</td> <td>1\"/&gt;  <tr> <td>U-37</td> <td>"</td> <td>"</td> <td>V-675</td> <td>122</td> <td>1/2</td> <td>2900</td> <td>1\"/&gt;  <tr> <td>U-38</td> <td>"</td> <td>"</td> <td>V-675</td> <td>122</td> <td>1/2</td> <td>2900</td> <td>1\"/&gt;  <tr> <td>U-39</td> <td>"</td> <td>"</td> <td>V-675</td> <td>122</td> <td>1/2</td> <td>2900</td> <td>1\"/&gt;  <tr> <td>U-40</td> <td>"</td> <td>"</td> <td>V-675</td> <td>122</td> <td>1/2</td> <td>2900</td> <td>1\"/&gt;  <tr> <td>U-41</td> <td>"</td> <td>"</td> <td>V-675</td> <td>122</td> <td>1/2</td> <td>2900</td> <td>1\"/&gt;  <tr> <td>U-42</td> <td>"</td> <td>"</td> <td>V-675</td> <td>122</td> <td>1/2</td> <td>2900</td> <td>1\"/&gt;  <tr> <td>U-43</td> <td>"</td> <td>"</td> <td>V-675</td> <td>122</td> <td>1/2</td> <td>2900</td> <td>1\"/&gt;  <tr> <td>U-44</td> <td>"</td> <td>"</td> <td>V-675</td> <td>122</td> <td>1/2</td> <td>2900</td> <td>1\"/&gt;  <tr> <td>U-45</td> <td>"</td> <td>"</td> <td>V-675</td> <td>122</td> <td>1/2</td> <td>2900</td> <td>1\"/&gt;  <tr> <td>U-46</td> <td>"</td> <td>"</td> <td>V-675</td> <td>122</td> <td>1/2</td> <td>2900</td> <td>1\"/&gt;  <tr> <td>U-47</td> <td>"</td> <td>"</td> <td>V-675</td> <td>122</td> <td>1/2</td> <td>2900</td> <td>1\"/&gt;  <tr> <td>U-48</td> <td>"</td> <td>"</td> <td>V-675</td> <td>122</td> <td>1/2</td> <td>2900</td> <td>1\"/&gt;  <tr> <td>U-49</td> <td>"</td> <td>"</td> <td>V-675</td> <td>122</td> <td>1/2</td> <td>2900</td> <td>1\"/&gt;  <tr> <td>U-50</td> <td>"</td> <td>"</td> <td>V-675</td> <td>122</td> <td>1/2</td> <td>2900</td> <td>1\"/&gt;  </td></tr></td></tr></td></tr></td></tr></td></tr></td></tr></td></tr></td></tr></td></tr></td></tr></td></tr></td></tr></td></tr></td></tr></td></tr></td></tr></td></tr>   
   | U-34 | " | " | V-675 | 122 | 1/2 | 2900 | 1\"/> <tr> <td>U-35</td> <td>"</td> <td>"</td> <td>V-675</td> <td>122</td> <td>1/2</td> <td>2900</td> <td>1\"/&gt;  <tr> <td>U-36</td> <td>"</td> <td>"</td> <td>V-675</td> <td>122</td> <td>1/2</td> <td>2900</td> <td>1\"/&gt;  <tr> <td>U-37</td> <td>"</td> <td>"</td> <td>V-675</td> <td>122</td> <td>1/2</td> <td>2900</td> <td>1\"/&gt;  <tr> <td>U-38</td> <td>"</td> <td>"</td> <td>V-675</td> <td>122</td> <td>1/2</td> <td>2900</td> <td>1\"/&gt;  <tr> <td>U-39</td> <td>"</td> <td>"</td> <td>V-675</td> <td>122</td> <td>1/2</td> <td>2900</td> <td>1\"/&gt;  <tr> <td>U-40</td> <td>"</td> <td>"</td> <td>V-675</td> <td>122</td> <td>1/2</td> <td>2900</td> <td>1\"/&gt;  <tr> <td>U-41</td> <td>"</td> <td>"</td> <td>V-675</td> <td>122</td> <td>1/2</td> <td>2900</td> <td>1\"/&gt;  <tr> <td>U-42</td> <td>"</td> <td>"</td> <td>V-675</td> <td>122</td> <td>1/2</td> <td>2900</td> <td>1\"/&gt;  <tr> <td>U-43</td> <td>"</td> <td>"</td> <td>V-675</td> <td>122</td> <td>1/2</td> <td>2900</td> <td>1\"/&gt;  <tr> <td>U-44</td> <td>"</td> <td>"</td> <td>V-675</td> <td>122</td> <td>1/2</td> <td>2900</td> <td>1\"/&gt;  <tr> <td>U-45</td> <td>"</td> <td>"</td> <td>V-675</td> <td>122</td> <td>1/2</td> <td>2900</td> <td>1\"/&gt;  <tr> <td>U-46</td> <td>"</td> <td>"</td> <td>V-675</td> <td>122</td> <td>1/2</td> <td>2900</td> <td>1\"/&gt;  <tr> <td>U-47</td> <td>"</td> <td>"</td> <td>V-675</td> <td>122</td> <td>1/2</td> <td>2900</td> <td>1\"/&gt;  <tr> <td>U-48</td> <td>"</td> <td>"</td> <td>V-675</td> <td>122</td> <td>1/2</td> <td>2900</td> <td>1\"/&gt;  <tr> <td>U-49</td> <td>"</td> <td>"</td> <td>V-675</td> <td>122</td> <td>1/2</td> <td>2900</td> <td>1\"/&gt;  <tr> <td>U-50</td> <td>"</td> <td>"</td> <td>V-675</td> <td>122</td> <td>1/2</td> <td>2900</td> <td>1\"/&gt;  </td></tr></td></tr></td></tr></td></tr></td></tr></td></tr></td></tr></td></tr></td></tr></td></tr></td></tr></td></tr></td></tr></td></tr></td></tr></td></tr>   | U-35 | " | " | V-675 | 122 | 1/2 | 2900 | 1\"/> <tr> <td>U-36</td> <td>"</td> <td>"</td> <td>V-675</td> <td>122</td> <td>1/2</td> <td>2900</td> <td>1\"/&gt;  <tr> <td>U-37</td> <td>"</td> <td>"</td> <td>V-675</td> <td>122</td> <td>1/2</td> <td>2900</td> <td>1\"/&gt;  <tr> <td>U-38</td> <td>"</td> <td>"</td> <td>V-675</td> <td>122</td> <td>1/2</td> <td>2900</td> <td>1\"/&gt;  <tr> <td>U-39</td> <td>"</td> <td>"</td> <td>V-675</td> <td>122</td> <td>1/2</td> <td>2900</td> <td>1\"/&gt;  <tr> <td>U-40</td> <td>"</td> <td>"</td> <td>V-675</td> <td>122</td> <td>1/2</td> <td>2900</td> <td>1\"/&gt;  <tr> <td>U-41</td> <td>"</td> <td>"</td> <td>V-675</td> <td>122</td> <td>1/2</td> <td>2900</td> <td>1\"/&gt;  <tr> <td>U-42</td> <td>"</td> <td>"</td> <td>V-675</td> <td>122</td> <td>1/2</td> <td>2900</td> <td>1\"/&gt;  <tr> <td>U-43</td> <td>"</td> <td>"</td> <td>V-675</td> <td>122</td> <td>1/2</td> <td>2900</td> <td>1\"/&gt;  <tr> <td>U-44</td> <td>"</td> <td>"</td> <td>V-675</td> <td>122</td> <td>1/2</td> <td>2900</td> <td>1\"/&gt;  <tr> <td>U-45</td> <td>"</td> <td>"</td> <td>V-675</td> <td>122</td> <td>1/2</td> <td>2900</td> <td>1\"/&gt;  <tr> <td>U-46</td> <td>"</td> <td>"</td> <td>V-675</td> <td>122</td> <td>1/2</td> <td>2900</td> <td>1\"/&gt;  <tr> <td>U-47</td> <td>"</td> <td>"</td> <td>V-675</td> <td>122</td> <td>1/2</td> <td>2900</td> <td>1\"/&gt;  <tr> <td>U-48</td> <td>"</td> <td>"</td> <td>V-675</td> <td>122</td> <td>1/2</td> <td>2900</td> <td>1\"/&gt;  <tr> <td>U-49</td> <td>"</td> <td>"</td> <td>V-675</td> <td>122</td> <td>1/2</td> <td>2900</td> <td>1\"/&gt;  <tr> <td>U-50</td> <td>"</td> <td>"</td> <td>V-675</td> <td>122</td> <td>1/2</td> <td>2900</td> <td>1\"/&gt;  </td></tr></td></tr></td></tr></td></tr></td></tr></td></tr></td></tr></td></tr></td></tr></td></tr></td></tr></td></tr></td></tr></td></tr></td></tr>   | U-36 | " | " | V-675 | 122 | 1/2 | 2900 | 1\"/> <tr> <td>U-37</td> <td>"</td> <td>"</td> <td>V-675</td> <td>122</td> <td>1/2</td> <td>2900</td> <td>1\"/&gt;  <tr> <td>U-38</td> <td>"</td> <td>"</td> <td>V-675</td> <td>122</td> <td>1/2</td> <td>2900</td> <td>1\"/&gt;  <tr> <td>U-39</td> <td>"</td> <td>"</td> <td>V-675</td> <td>122</td> <td>1/2</td> <td>2900</td> <td>1\"/&gt;  <tr> <td>U-40</td> <td>"</td> <td>"</td> <td>V-675</td> <td>122</td> <td>1/2</td> <td>2900</td> <td>1\"/&gt;  <tr> <td>U-41</td> <td>"</td> <td>"</td> <td>V-675</td> <td>122</td> <td>1/2</td> <td>2900</td> <td>1\"/&gt;  <tr> <td>U-42</td> <td>"</td> <td>"</td> <td>V-675</td> <td>122</td> <td>1/2</td> <td>2900</td> <td>1\"/&gt;  <tr> <td>U-43</td> <td>"</td> <td>"</td> <td>V-675</td> <td>122</td> <td>1/2</td> <td>2900</td> <td>1\"/&gt;  <tr> <td>U-44</td> <td>"</td> <td>"</td> <td>V-675</td>
<td>122</td> <td>1/2</td> <td>2900</td> <td>1\"/&gt;  <tr> <td>U-45</td> <td>"</td> <td>"</td> <td>V-675</td> <td>122</td> <td>1/2</td> <td>2900</td> <td>1\"/&gt;  <tr> <td>U-46</td> <td>"</td> <td>"</td> <td>V-675</td> <td>122</td> <td>1/2</td> <td>2900</td> <td>1\"/&gt;  <tr> <td>U-47</td> <td>"</td> <td>"</td> <td>V-675</td> <td>122</td> <td>1/2</td> <td>2900</td> <td>1\"/&gt;  <tr> <td>U-48</td> <td>"</td> <td>"</td> <td>V-675</td> <td>122</td> <td>1/2</td> <td>2900</td> <td>1\"/&gt;  <tr> <td>U-49</td> <td>"</td> <td>"</td> <td>V-675</td> <td>122</td> <td>1/2</td> <td>2900</td> <td>1\"/&gt;  <tr> <td>U-50</td> <td>"</td> <td>"</td> <td>V-675</td> <td>122</td> <td>1/2</td> <td>2900</td> <td>1\"/&gt;  </td></tr></td></tr></td></tr></td></tr></td></tr></td></tr></td></tr></td></tr></td></tr></td></tr></td></tr></td></tr></td></tr></td></tr>   | U-37 | " | " | V-675 | 122 | 1/2 | 2900 | 1\"/> <tr> <td>U-38</td> <td>"</td> <td>"</td> <td>V-675</td> <td>122</td> <td>1/2</td> <td>2900</td> <td>1\"/&gt;  <tr> <td>U-39</td> <td>"</td> <td>"</td> <td>V-675</td> <td>122</td> <td>1/2</td> <td>2900</td> <td>1\"/&gt;  <tr> <td>U-40</td> <td>"</td> <td>"</td> <td>V-675</td> <td>122</td> <td>1/2</td> <td>2900</td> <td>1\"/&gt;  <tr> <td>U-41</td> <td>"</td> <td>"</td> <td>V-675</td> <td>122</td> <td>1/2</td> <td>2900</td> <td>1\"/&gt;  <tr> <td>U-42</td> <td>"</td> <td>"</td> <td>V-675</td> <td>122</td> <td>1/2</td> <td>2900</td> <td>1\"/&gt;  <tr> <td>U-43</td> <td>"</td> <td>"</td> <td>V-675</td> <td>122</td> <td>1/2</td> <td>2900</td> <td>1\"/&gt;  <tr> <td>U-44</td> <td>"</td> <td>"</td> <td>V-675</td> <td>122</td> <td>1/2</td> <td>2900</td> <td>1\"/&gt;  <tr> <td>U-45</td> <td>"</td> <td>"</td> <td>V-675</td> <td>122</td> <td>1/2</td> <td>2900</td> <td>1\"/&gt;  <tr> <td>U-46</td> <td>"</td> <td>"</td> <td>V-675</td> <td>122</td> <td>1/2</td> <td>2900</td> <td>1\"/&gt;  <tr> <td>U-47</td> <td>"</td> <td>"</td> <td>V-675</td> <td>122</td> <td>1/2</td> <td>2900</td> <td>1\"/&gt;  <tr> <td>U-48</td> <td>"</td> <td>"</td> <td>V-675</td> <td>122</td> <td>1/2</td> <td>2900</td> <td>1\"/&gt;  <tr> <td>U-49</td> <td>"</td> <td>"</td> <td>V-675</td> <td>122</td> <td>1/2</td> <td>2900</td> <td>1\"/&gt;  <tr> <td>U-50</td> <td>"</td> <td>"</td> <td>V-675</td> <td>122</td> <td>1/2</td> <td>2900</td> <td>1\"/&gt;  </td></tr></td></tr></td></tr></td></tr></td></tr></td></tr></td></tr></td></tr></td></tr></td></tr></td></tr></td></tr></td></tr>   | U-38 | " | " | V-675 | 122 | 1/2 | 2900 | 1\"/> <tr> <td>U-39</td> <td>"</td> <td>"</td> <td>V-675</td> <td>122</td> <td>1/2</td> <td>2900</td> <td>1\"/&gt;  <tr> <td>U-40</td> <td>"</td> <td>"</td> <td>V-675</td> <td>122</td> <td>1/2</td> <td>2900</td> <td>1\"/&gt;  <tr> <td>U-41</td> <td>"</td> <td>"</td> <td>V-675</td> <td>122</td> <td>1/2</td> <td>2900</td> <td>1\"/&gt;  <tr> <td>U-42</td> <td>"</td> <td>"</td> <td>V-675</td> <td>122</td> <td>1/2</td> <td>2900</td> <td>1\"/&gt;  <tr> <td>U-43</td> <td>"</td> <td>"</td> <td>V-675</td> <td>122</td> <td>1/2</td> <td>2900</td> <td>1\"/&gt;  <tr> <td>U-44</td> <td>"</td> <td>"</td> <td>V-675</td> <td>122</td> <td>1/2</td> <td>2900</td> <td>1\"/&gt;  <tr> <td>U-45</td> <td>"</td> <td>"</td> <td>V-675</td> <td>122</td> <td>1/2</td> <td>2900</td> <td>1\"/&gt;  <tr> <td>U-46</td> <td>"</td> <td>"</td> <td>V-675</td> <td>122</td> <td>1/2</td> <td>2900</td> <td>1\"/&gt;  <tr> <td>U-47</td> <td>"</td> <td>"</td> <td>V-675</td> <td>122</td> <td>1/2</td> <td>2900</td> <td>1\"/&gt;  <tr> <td>U-48</td> <td>"</td> <td>"</td> <td>V-675</td> <td>122</td> <td>1/2</td> <td>2900</td> <td>1\"/&gt;  <tr> <td>U-49</td> <td>"</td> <td>"</td> <td>V-675</td> <td>122</td> <td>1/2</td> <td>2900</td> <td>1\"/&gt;  <tr> <td>U-50</td> <td>"</td> <td>"</td> <td>V-675</td> <td>122</td> <td>1/2</td> <td>2900</td> <td>1\"/&gt;  </td></tr></td></tr></td></tr></td></tr></td></tr></td></tr></td></tr></td></tr></td></tr></td></tr></td></tr></td></tr>   
   | U-39 | " | " | V-675 | 122 | 1/2 | 2900 | 1\"/> <tr> <td>U-40</td> <td>"</td> <td>"</td> <td>V-675</td> <td>122</td> <td>1/2</td> <td>2900</td> <td>1\"/&gt;  <tr> <td>U-41</td> <td>"</td> <td>"</td> <td>V-675</td> <td>122</td> <td>1/2</td> <td>2900</td> <td>1\"/&gt;  <tr> <td>U-42</td> <td>"</td> <td>"</td> <td>V-675</td> <td>122</td> <td>1/2</td> <td>2900</td> <td>1\"/&gt;  <tr> <td>U-43</td> <td>"</td> <td>"</td> <td>V-675</td> <td>122</td> <td>1/2</td> <td>2900</td> <td>1\"/&gt;  <tr> <td>U-44</td> <td>"</td> <td>"</td> <td>V-675</td> <td>122</td> <td>1/2</td> <td>2900</td> <td>1\"/&gt;  <tr> <td>U-45</td> <td>"</td> <td>"</td> <td>V-675</td> <td>122</td> <td>1/2</td> <td>2900</td> <td>1\"/&gt;  <tr> <td>U-46</td> <td>"</td> <td>"</td> <td>V-675</td> <td>122</td> <td>1/2</td> <td>2900</td> <td>1\"/&gt;  <tr> <td>U-47</td> <td>"</td> <td>"</td> <td>V-675</td> <td>122</td> <td>1/2</td> <td>2900</td> <td>1\"/&gt;  <tr> <td>U-48</td> <td>"</td> <td>"</td> <td>V-675</td> <td>122</td> <td>1/2</td> <td>2900</td> <td>1\"/&gt;  <tr> <td>U-49</td> <td>"</td> <td>"</td> <td>V-675</td> <td>122</td> <td>1/2</td> <td>2900</td> <td>1\"/&gt;  <tr> <td>U-50</td> <td>"</td> <td>"</td> <td>V-675</td> <td>122</td> <td>1/2</td> <td>2900</td> <td>1\"/&gt;  </td></tr></td></tr></td></tr></td></tr></td></tr></td></tr></td></tr></td></tr></td></tr></td></tr></td></tr>   | U-40 | " | " | V-675 | 122 | 1/2 | 2900 | 1\"/> <tr> <td>U-41</td> <td>"</td> <td>"</td> <td>V-675</td> <td>122</td> <td>1/2</td> <td>2900</td> <td>1\"/&gt;  <tr> <td>U-42</td> <td>"</td> <td>"</td> <td>V-675</td> <td>122</td> <td>1/2</td> <td>2900</td> <td>1\"/&gt;  <tr> <td>U-43</td> <td>"</td> <td>"</td> <td>V-675</td> <td>122</td> <td>1/2</td> <td>2900</td> <td>1\"/&gt;  <tr> <td>U-44</td> <td>"</td> <td>"</td> <td>V-675</td> <td>122</td> <td>1/2</td> <td>2900</td> <td>1\"/&gt;  <tr> <td>U-45</td> <td>"</td> <td>"</td> <td>V-675</td> <td>122</td> <td>1/2</td> <td>2900</td> <td>1\"/&gt;  <tr> <td>U-46</td> <td>"</td> <td>"</td> <td>V-675</td> <td>122</td> <td>1/2</td> <td>2900</td> <td>1\"/&gt;  <tr> <td>U-47</td> <td>"</td> <td>"</td> <td>V-675</td> <td>122</td> <td>1/2</td> <td>2900</td> <td>1\"/&gt;  <tr> <td>U-48</td> <td>"</td> <td>"</td> <td>V-675</td> <td>122</td> <td>1/2</td> <td>2900</td> <td>1\"/&gt;  <tr> <td>U-49</td> <td>"</td> <td>"</td> <td>V-675</td> <td>122</td> <td>1/2</td> <td>2900</td> <td>1\"/&gt;  <tr> <td>U-50</td> <td>"</td> <td>"</td> <td>V-675</td> <td>122</td> <td>1/2</td> <td>2900</td> <td>1\"/&gt;  </td></tr></td></tr></td></tr></td></tr></td></tr></td></tr></td></tr></td></tr></td></tr></td></tr>   | U-41 | " | " | V-675 | 122 | 1/2 | 2900 | 1\"/> <tr> <td>U-42</td> <td>"</td> <td>"</td> <td>V-675</td> <td>122</td> <td>1/2</td> <td>2900</td> <td>1\"/&gt;  <tr> <td>U-43</td> <td>"</td> <td>"</td> <td>V-675</td> <td>122</td> <td>1/2</td> <td>2900</td> <td>1\"/&gt;  <tr> <td>U-44</td> <td>"</td> <td>"</td> <td>V-675</td> <td>122</td> <td>1/2</td> <td>2900</td> <td>1\"/&gt;  <tr> <td>U-45</td> <td>"</td> <td>"</td> <td>V-675</td> <td>122</td> <td>1/2</td> <td>2900</td> <td>1\"/&gt;  <tr> <td>U-46</td> <td>"</td> <td>"</td> <td>V-675</td> <td>122</td> <td>1/2</td> <td>2900</td> <td>1\"/&gt;  <tr> <td>U-47</td> <td>"</td> <td>"</td> <td>V-675</td> <td>122</td> <td>1/2</td> <td>2900</td> <td>1\"/&gt;  <tr> <td>U-48</td> <td>"</td> <td>"</td> <td>V-675</td> <td>122</td> <td>1/2</td> <td>2900</td> <td>1\"/&gt;  <tr> <td>U-49</td> <td>"</td> <td>"</td> <td>V-675</td> <td>122</td> <td>1/2</td> <td>2900</td> <td>1\"/&gt;  <tr> <td>U-50</td> <td>"</td> <td>"</td> <td>V-675</td> <td>122</td> <td>1/2</td> <td>2900</td> <td>1\"/&gt;  </td></tr></td></tr></td></tr></td></tr></td></tr></td></tr></td></tr></td></tr></td></tr>  
  | U-42 | " | " | V-675 | 122 | 1/2 | 2900 | 1\"/> <tr> <td>U-43</td> <td>"</td> <td>"</td> <td>V-675</td> <td>122</td> <td>1/2</td> <td>2900</td> <td>1\"/&gt;  <tr> <td>U-44</td> <td>"</td> <td>"</td> <td>V-675</td> <td>122</td> <td>1/2</td> <td>2900</td> <td>1\"/&gt;  <tr> <td>U-45</td> <td>"</td> <td>"</td> <td>V-675</td> <td>122</td> <td>1/2</td> <td>2900</td> <td>1\"/&gt;  <tr> <td>U-46</td> <td>"</td> <td>"</td> <td>V-675</td> <td>122</td> <td>1/2</td> <td>2900</td> <td>1\"/&gt;  <tr> <td>U-47</td> <td>"</td> <td>"</td> <td>V-675</td> <td>122</td> <td>1/2</td> <td>2900</td> <td>1\"/&gt;  <tr> <td>U-48</td> <td>"</td> <td>"</td> <td>V-675</td> <td>122</td> <td>1/2</td> <td>2900</td> <td>1\"/&gt;  <tr> <td>U-49</td> <td>"</td> <td>"</td> <td>V-675</td> <td>122</td> <td>1/2</td> <td>2900</td> <td>1\"/&gt;  <tr> <td>U-50</td> <td>"</td> <td>"</td> <td>V-675</td> <td>122</td> <td>1/2</td> <td>2900</td> <td>1\"/&gt;  </td></tr></td></tr></td></tr></td></tr></td></tr></td></tr></td></tr></td></tr>   | U-43 | " | " | V-675 | 122 | 1/2 | 2900 | 1\"/> <tr> <td>U-44</td> <td>"</td> <td>"</td> <td>V-675</td> <td>122</td> <td>1/2</td> <td>2900</td> <td>1\"/&gt;  <tr> <td>U-45</td> <td>"</td> <td>"</td> <td>V-675</td> <td>122</td> <td>1/2</td> <td>2900</td> <td>1\"/&gt;  <tr> <td>U-46</td> <td>"</td> <td>"</td> <td>V-675</td> <td>122</td> <td>1/2</td> <td>2900</td> <td>1\"/&gt;  <tr> <td>U-47</td> <td>"</td> <td>"</td> <td>V-675</td> <td>122</td> <td>1/2</td> <td>2900</td> <td>1\"/&gt;  <tr> <td>U-48</td> <td>"</td> <td>"</td> <td>V-675</td> <td>122</td> <td>1/2</td> <td>2900</td> <td>1\"/&gt;  <tr> <td>U-49</td> <td>"</td> <td>"</td> <td>V-675</td> <td>122</td> <td>1/2</td> <td>2900</td> <td>1\"/&gt;  <tr> <td>U-50</td> <td>"</td> <td>"</td> <td>V-675</td> <td>122</td> <td>1/2</td> <td>2900</td> <td>1\"/&gt;  </td></tr></td></tr></td></tr></td></tr></td></tr></td></tr></td></tr>   | U-44 | " | " | V-675 | 122 | 1/2 | 2900 | 1\"/> <tr> <td>U-45</td> <td>"</td> <td>"</td> <td>V-675</td> <td>122</td> <td>1/2</td> <td>2900</td> <td>1\"/&gt;  <tr> <td>U-46</td> <td>"</td> <td>"</td> <td>V-675</td> <td>122</td> <td>1/2</td> <td>2900</td> <td>1\"/&gt;  <tr> <td>U-47</td> <td>"</td> <td>"</td> <td>V-675</td> <td>122</td> <td>1/2</td> <td>2900</td> <td>1\"/&gt;  <tr> <td>U-48</td> <td>"</td> <td>"</td> <td>V-675</td> <td>122</td> <td>1/2</td> <td>2900</td> <td>1\"/&gt;  <tr> <td>U-49</td> <td>"</td> <td>"</td> <td>V-675</td> <td>122</td> <td>1/2</td> <td>2900</td> <td>1\"/&gt;  <tr> <td>U-50</td> <td>"</td> <td>"</td> <td>V-675</td> <td>122</td> <td>1/2</td> <td>2900</td> <td>1\"/&gt;  </td></tr></td></tr></td></tr></td></tr></td></tr></td></tr>   | U-45 | " | " | V-675 | 122 | 1/2 | 2900 | 1\"/> <tr> <td>U-46</td> <td>"</td> <td>"</td> <td>V-675</td> <td>122</td> <td>1/2</td> <td>2900</td> <td>1\"/&gt;  <tr>
<td>U-47</td> <td>"</td> <td>"</td> <td>V-675</td> <td>122</td> <td>1/2</td> <td>2900</td> <td>1\"/&gt;  <tr> <td>U-48</td> <td>"</td> <td>"</td> <td>V-675</td> <td>122</td> <td>1/2</td> <td>2900</td> <td>1\"/&gt;  <tr> <td>U-49</td> <td>"</td> <td>"</td> <td>V-675</td> <td>122</td> <td>1/2</td> <td>2900</td> <td>1\"/&gt;  <tr> <td>U-50</td> <td>"</td> <td>"</td> <td>V-675</td> <td>122</td> <td>1/2</td> <td>2900</td> <td>1\"/&gt;  </td></tr></td></tr></td></tr></td></tr></td></tr>   | U-46 | " | " | V-675 | 122 | 1/2 | 2900 | 1\"/> <tr> <td>U-47</td> <td>"</td> <td>"</td> <td>V-675</td> <td>122</td> <td>1/2</td> <td>2900</td> <td>1\"/&gt;  <tr> <td>U-48</td> <td>"</td> <td>"</td> <td>V-675</td> <td>122</td> <td>1/2</td> <td>2900</td> <td>1\"/&gt;  <tr> <td>U-49</td> <td>"</td> <td>"</td> <td>V-675</td> <td>122</td> <td>1/2</td> <td>2900</td> <td>1\"/&gt;  <tr> <td>U-50</td> <td>"</td> <td>"</td> <td>V-675</td> <td>122</td> <td>1/2</td> <td>2900</td> <td>1\"/&gt;  </td></tr></td></tr></td></tr></td></tr>   | U-47 | " | " | V-675 | 122 | 1/2 | 2900 | 1\"/> <tr> <td>U-48</td> <td>"</td> <td>"</td> <td>V-675</td> <td>122</td> <td>1/2</td> <td>2900</td> <td>1\"/&gt;  <tr> <td>U-49</td> <td>"</td> <td>"</td> <td>V-675</td> <td>122</td> <td>1/2</td> <td>2900</td> <td>1\"/&gt;  <tr> <td>U-50</td> <td>"</td> <td>"</td> <td>V-675</td> <td>122</td> <td>1/2</td> <td>2900</td> <td>1\"/&gt;  </td></tr></td></tr></td></tr>   | U-48 | " | " | V-675 | 122 | 1/2 | 2900 | 1\"/> <tr> <td>U-49</td> <td>"</td> <td>"</td> <td>V-675</td> <td>122</td> <td>1/2</td> <td>2900</td> <td>1\"/&gt;  <tr> <td>U-50</td> <td>"</td> <td>"</td> <td>V-675</td> <td>122</td> <td>1/2</td> <td>2900</td> <td>1\"/&gt;  </td></tr></td></tr>   
   | U-49 | " | " | V-675 | 122 | 1/2 | 2900 | 1\"/> <tr> <td>U-50</td> <td>"</td> <td>"</td> <td>V-675</td> <td>122</td> <td>1/2</td> <td>2900</td> <td>1\"/&gt;  </td></tr>   | U-50 | " | " | V-675 | 122 | 1/2 | 2900 | 1\"/>  |      |   |   |       |     |     |      |  |      |   |   |       |     |     |      |  |      |   |   |       |     |     |      | | | | | | | | | | | | | | | | | | | | | | | | | |
  |      |   |   |       |     |     |      |  |      |   |   |       |     |     |      |  |      |   |   |       |     |     |      |  |      |   |   |       |     |     |      |  |      |   |   |       |     |     |      |  |      |   |   |       |     |     |      |  |      |   |   |       |     |     |      |  
   |      |   |   |       |     |     |      |  |      |   |   |       |     |     |      |  |      |   |   |       |     |     |      |  |      |   |   |       |     |     |      |  |      |   |   |       |     |     |      |  |      |   |   |       |     |     |      |  |      |   |   |       |     |     |      |  |      |   |   |       |     |     |      |       |
| U-14 | "             | "                       | V-675    | 122  | 1/2           | 2900    | 1\"/> <tr> <td>U-15</td> <td>"</td> <td>"</td> <td>V-675</td> <td>122</td> <td>1/2</td> <td>2900</td> <td>1\"/&gt;  <tr> <td>U-16</td> <td>"</td> <td>"</td> <td>V-675</td> <td>122</td> <td>1/2</td> <td>2900</td> <td>1\"/&gt;  <tr> <td>U-17</td> <td>"</td> <td>"</td> <td>V-675</td> <td>122</td> <td>1/2</td> <td>2900</td> <td>1\"/&gt;  <tr> <td>U-18</td> <td>"</td> <td>"</td> <td>V-675</td> <td>122</td> <td>1/2</td> <td>2900</td> <td>1\"/&gt;  <tr> <td>U-19</td> <td>"</td> <td>"</td> <td>V-675</td> <td>122</td> <td>1/2</td> <td>2900</td> <td>1\"/&gt;  <tr> <td>U-20</td> <td>"</td> <td>"</td> <td>V-675</td> <td>122</td> <td>1/2</td> <td>2900</td> <td>1\"/&gt;  <tr> <td>U-21</td> <td>"</td> <td>"</td> <td>V-675</td> <td>122</td> <td>1/2</td> <td>2900</td> <td>1\"/&gt;  <tr> <td>U-22</td> <td>"</td> <td>"</td> <td>V-675</td> <td>122</td> <td>1/2</td> <td>2900</td> <td>1\"/&gt;  <tr> <td>U-23</td> <td>"</td> <td>"</td> <td>V-675</td> <td>122</td> <td>1/2</td> <td>2900</td> <td>1\"/&gt;  <tr> <td>U-24</td> <td>"</td> <td>"</td> <td>V-675</td> <td>122</td> <td>1/2</td> <td>2900</td> <td>1\"/&gt;  <tr> <td>U-25</td> <td>"</td> <td>"</td> <td>V-675</td> <td>122</td> <td>1/2</td> <td>2900</td> <td>1\"/&gt;  <tr> <td>U-26</td> <td>"</td> <td>"</td> <td>V-675</td> <td>122</td> <td>1/2</td> <td>2900</td> <td>1\"/&gt;  <tr> <td>U-27</td> <td>"</td> <td>"</td> <td>V-675</td> <td>122</td> <td>1/2</td> <td>2900</td> <td>1\"/&gt;  <tr> <td>U-28</td> <td>"</td> <td>"</td> <td>V-675</td> <td>122</td> <td>1/2</td> <td>2900</td> <td>1\"/&gt;  <tr> <td>U-29</td> <td>"</td> <td>"</td> <td>V-675</td> <td>122</td> <td>1/2</td> <td>2900</td> <td>1\"/&gt;  <tr> <td>U-30</td> <td>"</td> <td>"</td> <td>V-675</td> <td>122</td> <td>1/2</td> <td>2900</td> <td>1\"/&gt;  <tr> <td>U-31</td> <td>"</td> <td>"</td> <td>V-675</td> <td>122</td> <td>1/2</td> <td>2900</td> <td>1\"/&gt;  <tr> <td>U-32</td> <td>"</td> <td>"</td> <td>V-675</td> <td>122</td> <td>1/2</td> <td>2900</td> <td>1\"/&gt;  <tr> <td>U-33</td> <td>"</td> <td>"</td> <td>V-675</td> <td>122</td> <td>1/2</td> <td>2900</td> <td>1\"/&gt;  <tr> <td>U-34</td> <td>"</td> <td>"</td> <td>V-675</td> <td>122</td> <td>1/2</td> <td>2900</td> <td>1\"/&gt;  <tr> <td>U-35</td> <td>"</td> <td>"</td> <td>V-675</td> <td>122</td> <td>1/2</td> <td>2900</td> <td>1\"/&gt;  <tr> <td>U-36</td> <td>"</td> <td>"</td> <td>V-675</td> <td>122</td> <td>1/2</td> <td>2900</td> <td>1\"/&gt;  <tr> <td>U-37</td> <td>"</td> <td>"</td> <td>V-675</td> <td>122</td> <td>1/2</td> <td>2900</td> <td>1\"/&gt;  <tr> <td>U-38</td> <td>"</td> <td>"</td> <td>V-675</td> <td>122</td> <td>1/2</td> <td>2900</td> <td>1\"/&gt;  <tr> <td>U-39</td> <td>"</td> <td>"</td> <td>V-675</td> <td>122</td> <td>1/2</td> <td>2900</td> <td>1\"/&gt;  <tr> <td>U-40</td> <td>"</td> <td>"</td> <td>V-675</td> <td>122</td> <td>1/2</td> <td>2900</td> <td>1\"/&gt;  <tr> <td>U-41</td> <td>"</td> <td>"</td> <td>V-675</td> <td>122</td> <td>1/2</td> <td>2900</td> <td>1\"/&gt;  <tr> <td>U-42</td> <td>"</td> <td>"</td> <td>V-675</td> <td>122</td> <td>1/2</td> <td>2900</td> <td>1\"/&gt;  <tr> <td>U-43</td> <td>"</td> <td>"</td> <td>V-675</td> <td>122</td> <td>1/2</td> <td>2900</td> <td>1\"/&gt;  <tr> <td>U-44</td> <td>"</td> <td>"</td> <td>V-675</td> <td>122</td> <td>1/2</td> <td>2900</td> <td>1\"/&gt;  <tr> <td>U-45</td> <td>"</td> <td>"</td> <td>V-675</td> <td>122</td> <td>1/2</td> <td>2900</td> <td>1\"/&gt;  <tr> <td>U-46</td> <td>"</td> <td>"</td> <td>V-675</td> <td>122</td> <td>1/2</td> <td>2900</td> <td>1\"/&gt;  <tr> <td>U-47</td> <td>"</td> <td>"</td> <td>V-675</td> <td>122</td> <td>1/2</td> <td>2900</td> <td>1\"/&gt;  <tr> <td>U-48</td> <td>"</td> <td>"</td> <td>V-675</td> <td>122</td> <td>1/2</td> <td>2900</td> <td>1\"/&gt;  <tr> <td>U-49</td> <td>"</td> <td>"</td> <td>V-675</td> <td>122</td> <td>1/2</td> <td>2900</td> <td>1\"/&gt;  <tr> <td>U-50</td> <td>"</td> <td>"</td> <td>V-675</td> <td>122</td> <td>1/2</td> <td>2900</td> <td>1\"/&gt;  </td></tr></td></tr></td></tr></td></tr></td></tr></td></tr></td></tr></td></tr></td></tr></td></tr></td></tr></td></tr></td></tr></td></tr></td></tr></td></tr></td></tr></td></tr></td></tr></td></tr></td></tr></td></tr></td></tr></td></tr></td></tr></td></tr></td></tr></td></tr></td></tr></td></tr></td></tr></td></tr></td></tr></td></tr></td></tr></td></tr>  | U-15 | " | " | V-675  | 122  | 1/2 | 2900   | 1\"/> <tr> <td>U-16</td> <td>"</td> <td>"</td> <td>V-675</td> <td>122</td> <td>1/2</td> <td>2900</td> <td>1\"/&gt;  <tr> <td>U-17</td> <td>"</td> <td>"</td> <td>V-675</td> <td>122</td> <td>1/2</td> <td>2900</td> <td>1\"/&gt;  <tr> <td>U-18</td> <td>"</td> <td>"</td> <td>V-675</td> <td>122</td> <td>1/2</td> <td>2900</td> <td>1\"/&gt;  <tr> <td>U-19</td> <td>"</td> <td>"</td> <td>V-675</td> <td>122</td> <td>1/2</td> <td>2900</td> <td>1\"/&gt;  <tr> <td>U-20</td> <td>"</td> <td>"</td> <td>V-675</td> <td>122</td> <td>1/2</td> <td>2900</td> <td>1\"/&gt;  <tr> <td>U-21</td> <td>"</td> <td>"</td> <td>V-675</td> <td>122</td> <td>1/2</td> <td>2900</td> <td>1\"/&gt;  <tr> <td>U-22</td> <td>"</td> <td>"</td> <td>V-675</td> <td>122</td> <td>1/2</td> <td>2900</td> <td>1\"/&gt;  <tr> <td>U-23</td> <td>"</td> <td>"</td> <td>V-675</td> <td>122</td> <td>1/2</td> <td>2900</td> <td>1\"/&gt;  <tr> <td>U-24</td> <td>"</td> <td>"</td> <td>V-675</td> <td>122</td> <td>1/2</td> <td>2900</td> <td>1\"/&gt;  <tr> <td>U-25</td> <td>"</td> <td>"</td> <td>V-675</td> <td>122</td> <td>1/2</td> <td>2900</td> <td>1\"/&gt;  <tr> <td>U-26</td> <td>"</td> <td>"</td> <td>V-675</td> <td>122</td> <td>1/2</td> <td>2900</td> <td>1\"/&gt;  <tr> <td>U-27</td> <td>"</td> <td>"</td> <td>V-675</td> <td>122</td> <td>1/2</td> <td>2900</td> <td>1\"/&gt;  <tr> <td>U-28</td> <td>"</td> <td>"</td> <td>V-675</td> <td>122</td> <td>1/2</td> <td>2900</td> <td>1\"/&gt;  <tr> <td>U-29</td> <td>"</td> <td>"</td> <td>V-675</td> <td>122</td> <td>1/2</td> <td>2900</td> <td>1\"/&gt;  <tr> <td>U-30</td> <td>"</td> <td>"</td> <td>V-675</td> <td>122</td> <td>1/2</td> <td>2900</td> <td>1\"/&gt;  <tr> <td>U-31</td> <td>"</td> <td>"</td> <td>V-675</td> <td>122</td> <td>1/2</td> <td>2900</td> <td>1\"/&gt;  <tr> <td>U-32</td> <td>"</td> <td>"</td> <td>V-675</td> <td>122</td> <td>1/2</td> <td>2900</td> <td>1\"/&gt;  <tr> <td>U-33</td> <td>"</td> <td>"</td> <td>V-675</td> <td>122</td> <td>1/2</td> <td>2900</td> <td>1\"/&gt;  <tr> <td>U-34</td> <td>"</td> <td>"</td> <td>V-675</td> <td>122</td> <td>1/2</td> <td>2900</td> <td>1\"/&gt;  <tr> <td>U-35</td> <td>"</td> <td>"</td> <td>V-675</td> <td>122</td> <td>1/2</td> <td>2900</td> <td>1\"/&gt;  <tr> <td>U-36</td> <td>"</td> <td>"</td> <td>V-675</td> <td>122</td> <td>1/2</td> <td>2900</td> <td>1\"/&gt;  <tr> <td>U-37</td> <td>"</td> <td>"</td> <td>V-675</td> <td>122</td> <td>1/2</td> <td>2900</td> <td>1\"/&gt;  <tr> <td>U-38</td> <td>"</td> <td>"</td> <td>V-675</td> <td>122</td> <td>1/2</td> <td>2900</td> <td>1\"/&gt;  <tr> <td>U-39</td> <td>"</td> <td>"</td> <td>V-675</td> <td>122</td> <td>1/2</td> <td>2900</td> <td>1\"/&gt;  <tr> <td>U-40</td> <td>"</td> <td>"</td> <td>V-675</td> <td>122</td> <td>1/2</td> <td>2900</td> <td>1\"/&gt;  <tr> <td>U-41</td> <td>"</td> <td>"</td> <td>V-675</td> <td>122</td> <td>1/2</td> <td>2900</td> <td>1\"/&gt;  <tr> <td>U-42</td> <td>"</td> <td>"</td> <td>V-675</td> <td>122</td> <td>1/2</td> <td>2900</td> <td>1\"/&gt;  <tr> <td>U-43</td> <td>"</td> <td>"</td> <td>V-675</td> <td>122</td> <td>1/2</td> <td>2900</td> <td>1\"/&gt;  <tr> <td>U-44</td> <td>"</td> <td>"</td> <td>V-675</td> <td>122</td> <td>1/2</td> <td>2900</td> <td>1\"/&gt;  <tr> <td>U-45</td> <td>"</td> <td>"</td> <td>V-675</td> <td>122</td> <td>1/2</td> <td>2900</td> <td>1\"/&gt; 
<tr> <td>U-46</td> <td>"</td> <td>"</td> <td>V-675</td> <td>122</td> <td>1/2</td> <td>2900</td> <td>1\"/&gt;  <tr> <td>U-47</td> <td>"</td> <td>"</td> <td>V-675</td> <td>122</td> <td>1/2</td> <td>2900</td> <td>1\"/&gt;  <tr> <td>U-48</td> <td>"</td> <td>"</td> <td>V-675</td> <td>122</td> <td>1/2</td> <td>2900</td> <td>1\"/&gt;  <tr> <td>U-49</td> <td>"</td> <td>"</td> <td>V-675</td> <td>122</td> <td>1/2</td> <td>2900</td> <td>1\"/&gt;  <tr> <td>U-50</td> <td>"</td> <td>"</td> <td>V-675</td> <td>122</td> <td>1/2</td> <td>2900</td> <td>1\"/&gt;  </td></tr></td></tr></td></tr></td></tr></td></tr></td></tr></td></tr></td></tr></td></tr></td></tr></td></tr></td></tr></td></tr></td></tr></td></tr></td></tr></td></tr></td></tr></td></tr></td></tr></td></tr></td></tr></td></tr></td></tr></td></tr></td></tr></td></tr></td></tr></td></tr></td></tr></td></tr></td></tr></td></tr></td></tr></td></tr>   | U-16 | " | " | V-675  | 122 | 1/2 | 2900   | 1\"/> <tr> <td>U-17</td> <td>"</td> <td>"</td> <td>V-675</td> <td>122</td> <td>1/2</td> <td>2900</td> <td>1\"/&gt;  <tr> <td>U-18</td> <td>"</td> <td>"</td> <td>V-675</td> <td>122</td> <td>1/2</td> <td>2900</td> <td>1\"/&gt;  <tr> <td>U-19</td> <td>"</td> <td>"</td> <td>V-675</td> <td>122</td> <td>1/2</td> <td>2900</td> <td>1\"/&gt;  <tr> <td>U-20</td> <td>"</td> <td>"</td> <td>V-675</td> <td>122</td> <td>1/2</td> <td>2900</td> <td>1\"/&gt;  <tr> <td>U-21</td> <td>"</td> <td>"</td> <td>V-675</td> <td>122</td> <td>1/2</td> <td>2900</td> <td>1\"/&gt;  <tr> <td>U-22</td> <td>"</td> <td>"</td> <td>V-675</td> <td>122</td> <td>1/2</td> <td>2900</td> <td>1\"/&gt;  <tr> <td>U-23</td> <td>"</td> <td>"</td> <td>V-675</td> <td>122</td> <td>1/2</td> <td>2900</td> <td>1\"/&gt;  <tr> <td>U-24</td> <td>"</td> <td>"</td> <td>V-675</td> <td>122</td> <td>1/2</td> <td>2900</td> <td>1\"/&gt;  <tr> <td>U-25</td> <td>"</td> <td>"</td> <td>V-675</td> <td>122</td> <td>1/2</td> <td>2900</td> <td>1\"/&gt;  <tr> <td>U-26</td> <td>"</td> <td>"</td> <td>V-675</td> <td>122</td> <td>1/2</td> <td>2900</td> <td>1\"/&gt;  <tr> <td>U-27</td> <td>"</td> <td>"</td> <td>V-675</td> <td>122</td> <td>1/2</td> <td>2900</td> <td>1\"/&gt;  <tr> <td>U-28</td> <td>"</td> <td>"</td> <td>V-675</td> <td>122</td> <td>1/2</td> <td>2900</td> <td>1\"/&gt;  <tr> <td>U-29</td> <td>"</td> <td>"</td> <td>V-675</td> <td>122</td> <td>1/2</td> <td>2900</td> <td>1\"/&gt;  <tr> <td>U-30</td> <td>"</td> <td>"</td> <td>V-675</td> <td>122</td> <td>1/2</td> <td>2900</td> <td>1\"/&gt;  <tr> <td>U-31</td> <td>"</td> <td>"</td> <td>V-675</td> <td>122</td> <td>1/2</td> <td>2900</td> <td>1\"/&gt;  <tr> <td>U-32</td> <td>"</td> <td>"</td> <td>V-675</td> <td>122</td> <td>1/2</td> <td>2900</td> <td>1\"/&gt;  <tr> <td>U-33</td> <td>"</td> <td>"</td> <td>V-675</td> <td>122</td> <td>1/2</td> <td>2900</td> <td>1\"/&gt;  <tr> <td>U-34</td> <td>"</td> <td>"</td> <td>V-675</td> <td>122</td> <td>1/2</td> <td>2900</td> <td>1\"/&gt;  <tr> <td>U-35</td> <td>"</td> <td>"</td> <td>V-675</td> <td>122</td> <td>1/2</td> <td>2900</td> <td>1\"/&gt;  <tr> <td>U-36</td> <td>"</td> <td>"</td> <td>V-675</td> <td>122</td> <td>1/2</td> <td>2900</td> <td>1\"/&gt;  <tr> <td>U-37</td> <td>"</td> <td>"</td> <td>V-675</td> <td>122</td> <td>1/2</td> <td>2900</td> <td>1\"/&gt;  <tr> <td>U-38</td> <td>"</td> <td>"</td> <td>V-675</td> <td>122</td> <td>1/2</td> <td>2900</td> <td>1\"/&gt;  <tr> <td>U-39</td> <td>"</td> <td>"</td> <td>V-675</td> <td>122</td> <td>1/2</td> <td>2900</td> <td>1\"/&gt;  <tr> <td>U-40</td> <td>"</td> <td>"</td> <td>V-675</td> <td>122</td> <td>1/2</td> <td>2900</td> <td>1\"/&gt;  <tr> <td>U-41</td> <td>"</td> <td>"</td> <td>V-675</td> <td>122</td> <td>1/2</td> <td>2900</td> <td>1\"/&gt;  <tr> <td>U-42</td> <td>"</td> <td>"</td> <td>V-675</td> <td>122</td> <td>1/2</td> <td>2900</td> <td>1\"/&gt;  <tr> <td>U-43</td> <td>"</td> <td>"</td> <td>V-675</td> <td>122</td> <td>1/2</td> <td>2900</td> <td>1\"/&gt;  <tr> <td>U-44</td> <td>"</td> <td>"</td> <td>V-675</td> <td>122</td> <td>1/2</td> <td>2900</td> <td>1\"/&gt;  <tr> <td>U-45</td> <td>"</td> <td>"</td> <td>V-675</td> <td>122</td> <td>1/2</td> <td>2900</td> <td>1\"/&gt;  <tr> <td>U-46</td> <td>"</td> <td>"</td> <td>V-675</td> <td>122</td> <td>1/2</td> <td>2900</td> <td>1\"/&gt;  <tr> <td>U-47</td> <td>"</td> <td>"</td> <td>V-675</td> <td>122</td> <td>1/2</td> <td>2900</td> <td>1\"/&gt;  <tr> <td>U-48</td> <td>"</td> <td>"</td> <td>V-675</td> <td>122</td> <td>1/2</td> <td>2900</td> <td>1\"/&gt;  <tr> <td>U-49</td> <td>"</td> <td>"</td> <td>V-675</td> <td>122</td> <td>1/2</td> <td>2900</td> <td>1\"/&gt;  <tr> <td>U-50</td> <td>"</td> <td>"</td> <td>V-675</td> <td>122</td> <td>1/2</td> <td>2900</td> <td>1\"/&gt;  </td></tr></td></tr></td></tr></td></tr></td></tr></td></tr></td></tr></td></tr></td></tr></td></tr></td></tr></td></tr></td></tr></td></tr></td></tr></td></tr></td></tr></td></tr></td></tr></td></tr></td></tr></td></tr></td></tr></td></tr></td></tr></td></tr></td></tr></td></tr></td></tr></td></tr></td></tr></td></tr></td></tr></td></tr>   | U-17 | " | " | V-675 | 122 | 1/2 | 2900    | 1\"/> <tr> <td>U-18</td> <td>"</td> <td>"</td> <td>V-675</td> <td>122</td> <td>1/2</td> <td>2900</td> <td>1\"/&gt;  <tr> <td>U-19</td> <td>"</td> <td>"</td> <td>V-675</td> <td>122</td> <td>1/2</td> <td>2900</td> <td>1\"/&gt;  <tr> <td>U-20</td> <td>"</td> <td>"</td> <td>V-675</td> <td>122</td> <td>1/2</td> <td>2900</td> <td>1\"/&gt;  <tr> <td>U-21</td> <td>"</td> <td>"</td> <td>V-675</td> <td>122</td> <td>1/2</td> <td>2900</td> <td>1\"/&gt;  <tr> <td>U-22</td> <td>"</td> <td>"</td> <td>V-675</td> <td>122</td> <td>1/2</td> <td>2900</td> <td>1\"/&gt;  <tr> <td>U-23</td> <td>"</td> <td>"</td> <td>V-675</td> <td>122</td> <td>1/2</td> <td>2900</td> <td>1\"/&gt;  <tr> <td>U-24</td> <td>"</td> <td>"</td> <td>V-675</td> <td>122</td> <td>1/2</td> <td>2900</td> <td>1\"/&gt;  <tr> <td>U-25</td> <td>"</td> <td>"</td> <td>V-675</td> <td>122</td> <td>1/2</td> <td>2900</td> <td>1\"/&gt;  <tr> <td>U-26</td> <td>"</td> <td>"</td> <td>V-675</td> <td>122</td> <td>1/2</td> <td>2900</td> <td>1\"/&gt;  <tr> <td>U-27</td> <td>"</td> <td>"</td> <td>V-675</td> <td>122</td> <td>1/2</td> <td>2900</td> <td>1\"/&gt;  <tr> <td>U-28</td> <td>"</td> <td>"</td> <td>V-675</td> <td>122</td> <td>1/2</td> <td>2900</td> <td>1\"/&gt;  <tr> <td>U-29</td> <td>"</td> <td>"</td> <td>V-675</td> <td>122</td> <td>1/2</td> <td>2900</td> <td>1\"/&gt;  <tr> <td>U-30</td> <td>"</td> <td>"</td> <td>V-675</td> <td>122</td> <td>1/2</td> <td>2900</td> <td>1\"/&gt;  <tr> <td>U-31</td> <td>"</td> <td>"</td> <td>V-675</td> <td>122</td> <td>1/2</td> <td>2900</td> <td>1\"/&gt;  <tr> <td>U-32</td> <td>"</td> <td>"</td> <td>V-675</td> <td>122</td> <td>1/2</td> <td>2900</td> <td>1\"/&gt;  <tr> <td>U-33</td> <td>"</td> <td>"</td> <td>V-675</td> <td>122</td> <td>1/2</td> <td>2900</td> <td>1\"/&gt;  <tr> <td>U-34</td> <td>"</td> <td>"</td>
<td>V-675</td> <td>122</td> <td>1/2</td> <td>2900</td> <td>1\"/&gt;  <tr> <td>U-35</td> <td>"</td> <td>"</td> <td>V-675</td> <td>122</td> <td>1/2</td> <td>2900</td> <td>1\"/&gt;  <tr> <td>U-36</td> <td>"</td> <td>"</td> <td>V-675</td> <td>122</td> <td>1/2</td> <td>2900</td> <td>1\"/&gt;  <tr> <td>U-37</td> <td>"</td> <td>"</td> <td>V-675</td> <td>122</td> <td>1/2</td> <td>2900</td> <td>1\"/&gt;  <tr> <td>U-38</td> <td>"</td> <td>"</td> <td>V-675</td> <td>122</td> <td>1/2</td> <td>2900</td> <td>1\"/&gt;  <tr> <td>U-39</td> <td>"</td> <td>"</td> <td>V-675</td> <td>122</td> <td>1/2</td> <td>2900</td> <td>1\"/&gt;  <tr> <td>U-40</td> <td>"</td> <td>"</td> <td>V-675</td> <td>122</td> <td>1/2</td> <td>2900</td> <td>1\"/&gt;  <tr> <td>U-41</td> <td>"</td> <td>"</td> <td>V-675</td> <td>122</td> <td>1/2</td> <td>2900</td> <td>1\"/&gt;  <tr> <td>U-42</td> <td>"</td> <td>"</td> <td>V-675</td> <td>122</td> <td>1/2</td> <td>2900</td> <td>1\"/&gt;  <tr> <td>U-43</td> <td>"</td> <td>"</td> <td>V-675</td> <td>122</td> <td>1/2</td> <td>2900</td> <td>1\"/&gt;  <tr> <td>U-44</td> <td>"</td> <td>"</td> <td>V-675</td> <td>122</td> <td>1/2</td> <td>2900</td> <td>1\"/&gt;  <tr> <td>U-45</td> <td>"</td> <td>"</td> <td>V-675</td> <td>122</td> <td>1/2</td> <td>2900</td> <td>1\"/&gt;  <tr> <td>U-46</td> <td>"</td> <td>"</td> <td>V-675</td> <td>122</td> <td>1/2</td> <td>2900</td> <td>1\"/&gt;  <tr> <td>U-47</td> <td>"</td> <td>"</td> <td>V-675</td> <td>122</td> <td>1/2</td> <td>2900</td> <td>1\"/&gt;  <tr> <td>U-48</td> <td>"</td> <td>"</td> <td>V-675</td> <td>122</td> <td>1/2</td> <td>2900</td> <td>1\"/&gt;  <tr> <td>U-49</td> <td>"</td> <td>"</td> <td>V-675</td> <td>122</td> <td>1/2</td> <td>2900</td> <td>1\"/&gt;  <tr> <td>U-50</td> <td>"</td> <td>"</td> <td>V-675</td> <td>122</td> <td>1/2</td> <td>2900</td> <td>1\"/&gt;  </td></tr></td></tr></td></tr></td></tr></td></tr></td></tr></td></tr></td></tr></td></tr></td></tr></td></tr></td></tr></td></tr></td></tr></td></tr></td></tr></td></tr></td></tr></td></tr></td></tr></td></tr></td></tr></td></tr></td></tr></td></tr></td></tr></td></tr></td></tr></td></tr></td></tr></td></tr></td></tr></td></tr>  | U-18 | " | " | V-675 | 122 | 1/2 | 2900   | 1\"/> <tr> <td>U-19</td> <td>"</td> <td>"</td> <td>V-675</td> <td>122</td> <td>1/2</td> <td>2900</td> <td>1\"/&gt;  <tr> <td>U-20</td> <td>"</td> <td>"</td> <td>V-675</td> <td>122</td> <td>1/2</td> <td>2900</td> <td>1\"/&gt;  <tr> <td>U-21</td> <td>"</td> <td>"</td> <td>V-675</td> <td>122</td> <td>1/2</td> <td>2900</td> <td>1\"/&gt;  <tr> <td>U-22</td> <td>"</td> <td>"</td> <td>V-675</td> <td>122</td> <td>1/2</td> <td>2900</td> <td>1\"/&gt;  <tr> <td>U-23</td> <td>"</td> <td>"</td> <td>V-675</td> <td>122</td> <td>1/2</td> <td>2900</td> <td>1\"/&gt;  <tr> <td>U-24</td> <td>"</td> <td>"</td> <td>V-675</td> <td>122</td> <td>1/2</td> <td>2900</td> <td>1\"/&gt;  <tr> <td>U-25</td> <td>"</td> <td>"</td> <td>V-675</td> <td>122</td> <td>1/2</td> <td>2900</td> <td>1\"/&gt;  <tr> <td>U-26</td> <td>"</td> <td>"</td> <td>V-675</td> <td>122</td> <td>1/2</td> <td>2900</td> <td>1\"/&gt;  <tr> <td>U-27</td> <td>"</td> <td>"</td> <td>V-675</td> <td>122</td> <td>1/2</td> <td>2900</td> <td>1\"/&gt;  <tr> <td>U-28</td> <td>"</td> <td>"</td> <td>V-675</td> <td>122</td> <td>1/2</td> <td>2900</td> <td>1\"/&gt;  <tr> <td>U-29</td> <td>"</td> <td>"</td> <td>V-675</td> <td>122</td> <td>1/2</td> <td>2900</td> <td>1\"/&gt;  <tr> <td>U-30</td> <td>"</td> <td>"</td> <td>V-675</td> <td>122</td> <td>1/2</td> <td>2900</td> <td>1\"/&gt;  <tr> <td>U-31</td> <td>"</td> <td>"</td> <td>V-675</td> <td>122</td> <td>1/2</td> <td>2900</td> <td>1\"/&gt;  <tr> <td>U-32</td> <td>"</td> <td>"</td> <td>V-675</td> <td>122</td> <td>1/2</td> <td>2900</td> <td>1\"/&gt;  <tr> <td>U-33</td> <td>"</td> <td>"</td> <td>V-675</td> <td>122</td> <td>1/2</td> <td>2900</td> <td>1\"/&gt;  <tr> <td>U-34</td> <td>"</td> <td>"</td> <td>V-675</td> <td>122</td> <td>1/2</td> <td>2900</td> <td>1\"/&gt;  <tr> <td>U-35</td> <td>"</td> <td>"</td> <td>V-675</td> <td>122</td> <td>1/2</td> <td>2900</td> <td>1\"/&gt;  <tr> <td>U-36</td> <td>"</td> <td>"</td> <td>V-675</td> <td>122</td> <td>1/2</td> <td>2900</td> <td>1\"/&gt;  <tr> <td>U-37</td> <td>"</td> <td>"</td> <td>V-675</td> <td>122</td> <td>1/2</td> <td>2900</td> <td>1\"/&gt;  <tr> <td>U-38</td> <td>"</td> <td>"</td> <td>V-675</td> <td>122</td> <td>1/2</td> <td>2900</td> <td>1\"/&gt;  <tr> <td>U-39</td> <td>"</td> <td>"</td> <td>V-675</td> <td>122</td> <td>1/2</td> <td>2900</td> <td>1\"/&gt;  <tr> <td>U-40</td> <td>"</td> <td>"</td> <td>V-675</td> <td>122</td> <td>1/2</td> <td>2900</td> <td>1\"/&gt;  <tr> <td>U-41</td> <td>"</td> <td>"</td> <td>V-675</td> <td>122</td> <td>1/2</td> <td>2900</td> <td>1\"/&gt;  <tr> <td>U-42</td> <td>"</td> <td>"</td> <td>V-675</td> <td>122</td> <td>1/2</td> <td>2900</td> <td>1\"/&gt;  <tr> <td>U-43</td> <td>"</td> <td>"</td> <td>V-675</td> <td>122</td> <td>1/2</td> <td>2900</td> <td>1\"/&gt;  <tr> <td>U-44</td> <td>"</td> <td>"</td> <td>V-675</td> <td>122</td> <td>1/2</td> <td>2900</td> <td>1\"/&gt;  <tr> <td>U-45</td> <td>"</td> <td>"</td> <td>V-675</td> <td>122</td> <td>1/2</td> <td>2900</td> <td>1\"/&gt;  <tr> <td>U-46</td> <td>"</td> <td>"</td> <td>V-675</td> <td>122</td> <td>1/2</td> <td>2900</td> <td>1\"/&gt;  <tr> <td>U-47</td> <td>"</td> <td>"</td> <td>V-675</td> <td>122</td> <td>1/2</td> <td>2900</td> <td>1\"/&gt;  <tr> <td>U-48</td> <td>"</td> <td>"</td> <td>V-675</td> <td>122</td> <td>1/2</td> <td>2900</td> <td>1\"/&gt;  <tr> <td>U-49</td> <td>"</td> <td>"</td> <td>V-675</td> <td>122</td> <td>1/2</td> <td>2900</td> <td>1\"/&gt;  <tr> <td>U-50</td> <td>"</td> <td>"</td> <td>V-675</td> <td>122</td> <td>1/2</td> <td>2900</td> <td>1\"/&gt;  </td></tr></td></tr></td></tr></td></tr></td></tr></td></tr></td></tr></td></tr></td></tr></td></tr></td></tr></td></tr></td></tr></td></tr></td></tr></td></tr></td></tr></td></tr></td></tr></td></tr></td></tr></td></tr></td></tr></td></tr></td></tr></td></tr></td></tr></td></tr></td></tr></td></tr></td></tr></td></tr>   | U-19 | " | " | V-675 | 122 | 1/2 | 2900    | 1\"/> <tr> <td>U-20</td> <td>"</td> <td>"</td> <td>V-675</td> <td>122</td> <td>1/2</td> <td>2900</td> <td>1\"/&gt;  <tr> <td>U-21</td> <td>"</td> <td>"</td> <td>V-675</td> <td>122</td> <td>1/2</td> <td>2900</td> <td>1\"/&gt;  <tr> <td>U-22</td> <td>"</td> <td>"</td> <td>V-675</td> <td>122</td> <td>1/2</td> <td>2900</td> <td>1\"/&gt;  <tr> <td>U-23</td> <td>"</td> <td>"</td> <td>V-675</td> <td>122</td> <td>1/2</td> <td>2900</td> <td>1\"/&gt;  <tr> <td>U-24</td> <td>"</td> <td>"</td> <td>V-675</td> <td>122</td> <td>1/2</td> <td>2900</td> <td>1\"/&gt;  <tr> <td>U-25</td> <td>"</td> <td>"</td> <td>V-675</td> <td>122</td> <td>1/2</td> <td>2900</td> <td>1\"/&gt;  <tr> <td>U-26</td> <td>"</td> <td>"</td> <td>V-675</td> <td>122</td> <td>1/2</td> <td>2900</td> <td>1\"/&gt;  <tr>
<td>U-27</td> <td>"</td> <td>"</td> <td>V-675</td> <td>122</td> <td>1/2</td> <td>2900</td> <td>1\"/&gt;  <tr> <td>U-28</td> <td>"</td> <td>"</td> <td>V-675</td> <td>122</td> <td>1/2</td> <td>2900</td> <td>1\"/&gt;  <tr> <td>U-29</td> <td>"</td> <td>"</td> <td>V-675</td> <td>122</td> <td>1/2</td> <td>2900</td> <td>1\"/&gt;  <tr> <td>U-30</td> <td>"</td> <td>"</td> <td>V-675</td> <td>122</td> <td>1/2</td> <td>2900</td> <td>1\"/&gt;  <tr> <td>U-31</td> <td>"</td> <td>"</td> <td>V-675</td> <td>122</td> <td>1/2</td> <td>2900</td> <td>1\"/&gt;  <tr> <td>U-32</td> <td>"</td> <td>"</td> <td>V-675</td> <td>122</td> <td>1/2</td> <td>2900</td> <td>1\"/&gt;  <tr> <td>U-33</td> <td>"</td> <td>"</td> <td>V-675</td> <td>122</td> <td>1/2</td> <td>2900</td> <td>1\"/&gt;  <tr> <td>U-34</td> <td>"</td> <td>"</td> <td>V-675</td> <td>122</td> <td>1/2</td> <td>2900</td> <td>1\"/&gt;  <tr> <td>U-35</td> <td>"</td> <td>"</td> <td>V-675</td> <td>122</td> <td>1/2</td> <td>2900</td> <td>1\"/&gt;  <tr> <td>U-36</td> <td>"</td> <td>"</td> <td>V-675</td> <td>122</td> <td>1/2</td> <td>2900</td> <td>1\"/&gt;  <tr> <td>U-37</td> <td>"</td> <td>"</td> <td>V-675</td> <td>122</td> <td>1/2</td> <td>2900</td> <td>1\"/&gt;  <tr> <td>U-38</td> <td>"</td> <td>"</td> <td>V-675</td> <td>122</td> <td>1/2</td> <td>2900</td> <td>1\"/&gt;  <tr> <td>U-39</td> <td>"</td> <td>"</td> <td>V-675</td> <td>122</td> <td>1/2</td> <td>2900</td> <td>1\"/&gt;  <tr> <td>U-40</td> <td>"</td> <td>"</td> <td>V-675</td> <td>122</td> <td>1/2</td> <td>2900</td> <td>1\"/&gt;  <tr> <td>U-41</td> <td>"</td> <td>"</td> <td>V-675</td> <td>122</td> <td>1/2</td> <td>2900</td> <td>1\"/&gt;  <tr> <td>U-42</td> <td>"</td> <td>"</td> <td>V-675</td> <td>122</td> <td>1/2</td> <td>2900</td> <td>1\"/&gt;  <tr> <td>U-43</td> <td>"</td> <td>"</td> <td>V-675</td> <td>122</td> <td>1/2</td> <td>2900</td> <td>1\"/&gt;  <tr> <td>U-44</td> <td>"</td> <td>"</td> <td>V-675</td> <td>122</td> <td>1/2</td> <td>2900</td> <td>1\"/&gt;  <tr> <td>U-45</td> <td>"</td> <td>"</td> <td>V-675</td> <td>122</td> <td>1/2</td> <td>2900</td> <td>1\"/&gt;  <tr> <td>U-46</td> <td>"</td> <td>"</td> <td>V-675</td> <td>122</td> <td>1/2</td> <td>2900</td> <td>1\"/&gt;  <tr> <td>U-47</td> <td>"</td> <td>"</td> <td>V-675</td> <td>122</td> <td>1/2</td> <td>2900</td> <td>1\"/&gt;  <tr> <td>U-48</td> <td>"</td> <td>"</td> <td>V-675</td> <td>122</td> <td>1/2</td> <td>2900</td> <td>1\"/&gt;  <tr> <td>U-49</td> <td>"</td> <td>"</td> <td>V-675</td> <td>122</td> <td>1/2</td> <td>2900</td> <td>1\"/&gt;  <tr> <td>U-50</td> <td>"</td> <td>"</td> <td>V-675</td> <td>122</td> <td>1/2</td> <td>2900</td> <td>1\"/&gt;  </td></tr></td></tr></td></tr></td></tr></td></tr></td></tr></td></tr></td></tr></td></tr></td></tr></td></tr></td></tr></td></tr></td></tr></td></tr></td></tr></td></tr></td></tr></td></tr></td></tr></td></tr></td></tr></td></tr></td></tr></td></tr></td></tr></td></tr></td></tr></td></tr></td></tr></td></tr>  | U-20 | "           | "      | V-675  | 122  | 1/2 | 2900 | 1\"/> <tr> <td>U-21</td> <td>"</td> <td>"</td> <td>V-675</td> <td>122</td> <td>1/2</td> <td>2900</td> <td>1\"/&gt;  <tr> <td>U-22</td> <td>"</td> <td>"</td> <td>V-675</td> <td>122</td> <td>1/2</td> <td>2900</td> <td>1\"/&gt;  <tr> <td>U-23</td> <td>"</td> <td>"</td> <td>V-675</td> <td>122</td> <td>1/2</td> <td>2900</td> <td>1\"/&gt;  <tr> <td>U-24</td> <td>"</td> <td>"</td> <td>V-675</td> <td>122</td> <td>1/2</td> <td>2900</td> <td>1\"/&gt;  <tr> <td>U-25</td> <td>"</td> <td>"</td> <td>V-675</td> <td>122</td> <td>1/2</td> <td>2900</td> <td>1\"/&gt;  <tr> <td>U-26</td> <td>"</td> <td>"</td> <td>V-675</td> <td>122</td> <td>1/2</td> <td>2900</td> <td>1\"/&gt;  <tr> <td>U-27</td> <td>"</td> <td>"</td> <td>V-675</td> <td>122</td> <td>1/2</td> <td>2900</td> <td>1\"/&gt;  <tr> <td>U-28</td> <td>"</td> <td>"</td> <td>V-675</td> <td>122</td> <td>1/2</td> <td>2900</td> <td>1\"/&gt;  <tr> <td>U-29</td> <td>"</td> <td>"</td> <td>V-675</td> <td>122</td> <td>1/2</td> <td>2900</td> <td>1\"/&gt;  <tr> <td>U-30</td> <td>"</td> <td>"</td> <td>V-675</td> <td>122</td> <td>1/2</td> <td>2900</td> <td>1\"/&gt;  <tr> <td>U-31</td> <td>"</td> <td>"</td> <td>V-675</td> <td>122</td> <td>1/2</td> <td>2900</td> <td>1\"/&gt;  <tr> <td>U-32</td> <td>"</td> <td>"</td> <td>V-675</td> <td>122</td> <td>1/2</td> <td>2900</td> <td>1\"/&gt;  <tr> <td>U-33</td> <td>"</td> <td>"</td> <td>V-675</td> <td>122</td> <td>1/2</td> <td>2900</td> <td>1\"/&gt;  <tr> <td>U-34</td> <td>"</td> <td>"</td> <td>V-675</td> <td>122</td> <td>1/2</td> <td>2900</td> <td>1\"/&gt;  <tr> <td>U-35</td> <td>"</td> <td>"</td> <td>V-675</td> <td>122</td> <td>1/2</td> <td>2900</td> <td>1\"/&gt;  <tr> <td>U-36</td> <td>"</td> <td>"</td> <td>V-675</td> <td>122</td> <td>1/2</td> <td>2900</td> <td>1\"/&gt;  <tr> <td>U-37</td> <td>"</td> <td>"</td> <td>V-675</td> <td>122</td> <td>1/2</td> <td>2900</td> <td>1\"/&gt;  <tr> <td>U-38</td> <td>"</td> <td>"</td> <td>V-675</td> <td>122</td> <td>1/2</td> <td>2900</td> <td>1\"/&gt;  <tr> <td>U-39</td> <td>"</td> <td>"</td> <td>V-675</td> <td>122</td> <td>1/2</td> <td>2900</td> <td>1\"/&gt;  <tr> <td>U-40</td> <td>"</td> <td>"</td> <td>V-675</td> <td>122</td> <td>1/2</td> <td>2900</td> <td>1\"/&gt;  <tr> <td>U-41</td> <td>"</td> <td>"</td> <td>V-675</td> <td>122</td> <td>1/2</td> <td>2900</td> <td>1\"/&gt;  <tr> <td>U-42</td> <td>"</td> <td>"</td> <td>V-675</td> <td>122</td> <td>1/2</td> <td>2900</td> <td>1\"/&gt;  <tr> <td>U-43</td> <td>"</td> <td>"</td> <td>V-675</td> <td>122</td> <td>1/2</td> <td>2900</td> <td>1\"/&gt;  <tr> <td>U-44</td> <td>"</td> <td>"</td> <td>V-675</td> <td>122</td> <td>1/2</td> <td>2900</td> <td>1\"/&gt;  <tr> <td>U-45</td> <td>"</td> <td>"</td> <td>V-675</td> <td>122</td> <td>1/2</td> <td>2900</td> <td>1\"/&gt;  <tr> <td>U-46</td> <td>"</td> <td>"</td> <td>V-675</td> <td>122</td> <td>1/2</td> <td>2900</td> <td>1\"/&gt;  <tr> <td>U-47</td> <td>"</td> <td>"</td> <td>V-675</td> <td>122</td> <td>1/2</td> <td>2900</td> <td>1\"/&gt;  <tr> <td>U-48</td> <td>"</td> <td>"</td> <td>V-675</td> <td>122</td> <td>1/2</td> <td>2900</td> <td>1\"/&gt;  <tr> <td>U-49</td> <td>"</td> <td>"</td> <td>V-675</td> <td>122</td> <td>1/2</td> <td>2900</td> <td>1\"/&gt;  <tr> <td>U-50</td> <td>"</td> <td>"</td> <td>V-675</td> <td>122</td> <td>1/2</td> <td>2900</td> <td>1\"/&gt;  </td></tr></td></tr></td></tr></td></tr></td></tr></td></tr></td></tr></td></tr></td></tr></td></tr></td></tr></td></tr></td></tr></td></tr></td></tr></td></tr></td></tr></td></tr></td></tr></td></tr></td></tr></td></tr></td></tr></td></tr></td></tr></td></tr></td></tr></td></tr></td></tr></td></tr>   
  | U-21 | " | " | V-675  | 122  | 1/2 | 2900 | 1\"/> <tr> <td>U-22</td> <td>"</td> <td>"</td> <td>V-675</td> <td>122</td> <td>1/2</td> <td>2900</td> <td>1\"/&gt;  <tr> <td>U-23</td> <td>"</td> <td>"</td> <td>V-675</td> <td>122</td> <td>1/2</td> <td>2900</td> <td>1\"/&gt;  <tr> <td>U-24</td> <td>"</td> <td>"</td> <td>V-675</td> <td>122</td> <td>1/2</td> <td>2900</td> <td>1\"/&gt;  <tr> <td>U-25</td> <td>"</td> <td>"</td> <td>V-675</td> <td>122</td> <td>1/2</td> <td>2900</td> <td>1\"/&gt;  <tr> <td>U-26</td> <td>"</td> <td>"</td> <td>V-675</td> <td>122</td> <td>1/2</td> <td>2900</td> <td>1\"/&gt;  <tr> <td>U-27</td> <td>"</td> <td>"</td> <td>V-675</td> <td>122</td> <td>1/2</td> <td>2900</td> <td>1\"/&gt;  <tr> <td>U-28</td> <td>"</td> <td>"</td> <td>V-675</td> <td>122</td> <td>1/2</td> <td>2900</td> <td>1\"/&gt;  <tr> <td>U-29</td> <td>"</td> <td>"</td> <td>V-675</td> <td>122</td> <td>1/2</td> <td>2900</td> <td>1\"/&gt;  <tr> <td>U-30</td> <td>"</td> <td>"</td> <td>V-675</td> <td>122</td> <td>1/2</td> <td>2900</td> <td>1\"/&gt;  <tr> <td>U-31</td> <td>"</td> <td>"</td> <td>V-675</td> <td>122</td> <td>1/2</td> <td>2900</td> <td>1\"/&gt;  <tr> <td>U-32</td> <td>"</td> <td>"</td> <td>V-675</td> <td>122</td> <td>1/2</td> <td>2900</td> <td>1\"/&gt;  <tr> <td>U-33</td> <td>"</td> <td>"</td> <td>V-675</td> <td>122</td> <td>1/2</td> <td>2900</td> <td>1\"/&gt;  <tr> <td>U-34</td> <td>"</td> <td>"</td> <td>V-675</td> <td>122</td> <td>1/2</td> <td>2900</td> <td>1\"/&gt;  <tr> <td>U-35</td> <td>"</td> <td>"</td> <td>V-675</td> <td>122</td> <td>1/2</td> <td>2900</td> <td>1\"/&gt;  <tr> <td>U-36</td> <td>"</td> <td>"</td> <td>V-675</td> <td>122</td> <td>1/2</td> <td>2900</td> <td>1\"/&gt;  <tr> <td>U-37</td> <td>"</td> <td>"</td> <td>V-675</td> <td>122</td> <td>1/2</td> <td>2900</td> <td>1\"/&gt;  <tr> <td>U-38</td> <td>"</td> <td>"</td> <td>V-675</td> <td>122</td> <td>1/2</td> <td>2900</td> <td>1\"/&gt;  <tr> <td>U-39</td> <td>"</td> <td>"</td> <td>V-675</td> <td>122</td> <td>1/2</td> <td>2900</td> <td>1\"/&gt;  <tr> <td>U-40</td> <td>"</td> <td>"</td> <td>V-675</td> <td>122</td> <td>1/2</td> <td>2900</td> <td>1\"/&gt;  <tr> <td>U-41</td> <td>"</td> <td>"</td> <td>V-675</td> <td>122</td> <td>1/2</td> <td>2900</td> <td>1\"/&gt;  <tr> <td>U-42</td> <td>"</td> <td>"</td> <td>V-675</td> <td>122</td> <td>1/2</td> <td>2900</td> <td>1\"/&gt;  <tr> <td>U-43</td> <td>"</td> <td>"</td> <td>V-675</td> <td>122</td> <td>1/2</td> <td>2900</td> <td>1\"/&gt;  <tr> <td>U-44</td> <td>"</td> <td>"</td> <td>V-675</td> <td>122</td> <td>1/2</td> <td>2900</td> <td>1\"/&gt;  <tr> <td>U-45</td> <td>"</td> <td>"</td> <td>V-675</td> <td>122</td> <td>1/2</td> <td>2900</td> <td>1\"/&gt;  <tr> <td>U-46</td> <td>"</td> <td>"</td> <td>V-675</td> <td>122</td> <td>1/2</td> <td>2900</td> <td>1\"/&gt;  <tr> <td>U-47</td> <td>"</td> <td>"</td> <td>V-675</td> <td>122</td> <td>1/2</td> <td>2900</td> <td>1\"/&gt;  <tr> <td>U-48</td> <td>"</td> <td>"</td> <td>V-675</td> <td>122</td> <td>1/2</td> <td>2900</td> <td>1\"/&gt;  <tr> <td>U-49</td> <td>"</td> <td>"</td> <td>V-675</td> <td>122</td> <td>1/2</td> <td>2900</td> <td>1\"/&gt;  <tr> <td>U-50</td> <td>"</td> <td>"</td> <td>V-675</td> <td>122</td> <td>1/2</td> <td>2900</td> <td>1\"/&gt;  </td></tr></td></tr></td></tr></td></tr></td></tr></td></tr></td></tr></td></tr></td></tr></td></tr></td></tr></td></tr></td></tr></td></tr></td></tr></td></tr></td></tr></td></tr></td></tr></td></tr></td></tr></td></tr></td></tr></td></tr></td></tr></td></tr></td></tr></td></tr></td></tr>   | U-22 | " | " | V-675  | 122 | 1/2 | 2900 | 1\"/> <tr> <td>U-23</td> <td>"</td> <td>"</td> <td>V-675</td> <td>122</td> <td>1/2</td> <td>2900</td> <td>1\"/&gt;  <tr> <td>U-24</td> <td>"</td> <td>"</td> <td>V-675</td> <td>122</td> <td>1/2</td> <td>2900</td> <td>1\"/&gt;  <tr> <td>U-25</td> <td>"</td> <td>"</td> <td>V-675</td> <td>122</td> <td>1/2</td> <td>2900</td> <td>1\"/&gt;  <tr> <td>U-26</td> <td>"</td> <td>"</td> <td>V-675</td> <td>122</td> <td>1/2</td> <td>2900</td> <td>1\"/&gt;  <tr> <td>U-27</td> <td>"</td> <td>"</td> <td>V-675</td> <td>122</td> <td>1/2</td> <td>2900</td> <td>1\"/&gt;  <tr> <td>U-28</td> <td>"</td> <td>"</td> <td>V-675</td> <td>122</td> <td>1/2</td> <td>2900</td> <td>1\"/&gt;  <tr> <td>U-29</td> <td>"</td> <td>"</td> <td>V-675</td> <td>122</td> <td>1/2</td> <td>2900</td> <td>1\"/&gt;  <tr> <td>U-30</td> <td>"</td> <td>"</td> <td>V-675</td> <td>122</td> <td>1/2</td> <td>2900</td> <td>1\"/&gt;  <tr> <td>U-31</td> <td>"</td> <td>"</td> <td>V-675</td> <td>122</td> <td>1/2</td> <td>2900</td> <td>1\"/&gt;  <tr> <td>U-32</td> <td>"</td> <td>"</td> <td>V-675</td> <td>122</td> <td>1/2</td> <td>2900</td> <td>1\"/&gt;  <tr> <td>U-33</td> <td>"</td> <td>"</td> <td>V-675</td> <td>122</td> <td>1/2</td> <td>2900</td> <td>1\"/&gt;  <tr> <td>U-34</td> <td>"</td> <td>"</td> <td>V-675</td> <td>122</td> <td>1/2</td> <td>2900</td> <td>1\"/&gt;  <tr> <td>U-35</td> <td>"</td> <td>"</td> <td>V-675</td> <td>122</td> <td>1/2</td> <td>2900</td> <td>1\"/&gt;  <tr> <td>U-36</td> <td>"</td> <td>"</td> <td>V-675</td> <td>122</td> <td>1/2</td> <td>2900</td> <td>1\"/&gt;  <tr> <td>U-37</td> <td>"</td> <td>"</td> <td>V-675</td> <td>122</td> <td>1/2</td> <td>2900</td> <td>1\"/&gt;  <tr> <td>U-38</td> <td>"</td> <td>"</td> <td>V-675</td> <td>122</td> <td>1/2</td> <td>2900</td> <td>1\"/&gt;  <tr> <td>U-39</td> <td>"</td> <td>"</td> <td>V-675</td> <td>122</td> <td>1/2</td> <td>2900</td> <td>1\"/&gt;  <tr> <td>U-40</td> <td>"</td> <td>"</td> <td>V-675</td> <td>122</td> <td>1/2</td> <td>2900</td> <td>1\"/&gt;  <tr> <td>U-41</td> <td>"</td> <td>"</td> <td>V-675</td> <td>122</td> <td>1/2</td> <td>2900</td> <td>1\"/&gt;  <tr> <td>U-42</td> <td>"</td> <td>"</td> <td>V-675</td> <td>122</td> <td>1/2</td> <td>2900</td> <td>1\"/&gt;  <tr> <td>U-43</td> <td>"</td> <td>"</td> <td>V-675</td> <td>122</td> <td>1/2</td> <td>2900</td> <td>1\"/&gt;  <tr> <td>U-44</td> <td>"</td> <td>"</td> <td>V-675</td> <td>122</td> <td>1/2</td> <td>2900</td> <td>1\"/&gt;  <tr> <td>U-45</td> <td>"</td> <td>"</td> <td>V-675</td> <td>122</td> <td>1/2</td> <td>2900</td> <td>1\"/&gt;  <tr> <td>U-46</td> <td>"</td> <td>"</td> <td>V-675</td> <td>122</td> <td>1/2</td> <td>2900</td> <td>1\"/&gt;  <tr> <td>U-47</td> <td>"</td> <td>"</td> <td>V-675</td> <td>122</td> <td>1/2</td> <td>2900</td> <td>1\"/&gt;  <tr> <td>U-48</td> <td>"</td> <td>"</td> <td>V-675</td> <td>122</td> <td>1/2</td> <td>2900</td> <td>1\"/&gt;  <tr> <td>U-49</td> <td>"</td> <td>"</td> <td>V-675</td> <td>122</td> <td>1/2</td> <td>2900</td> <td>1\"/&gt;  <tr> <td>U-50</td> <td>"</td> <td>"</td> <td>V-675</td> <td>122</td> <td>1/2</td> <td>2900</td> <td>1\"/&gt;  </td></tr></td></tr></td></tr></td></tr></td></tr></td></tr></td></tr></td></tr></td></tr></td></tr></td></tr></td></tr></td></tr></td></tr></td></tr></td></tr></td></tr></td></tr></td></tr></td></tr></td></tr></td></tr></td></tr></td></tr></td></tr></td></tr></td></tr></td></tr>   
   | U-23 | " | " | V-675 | 122 | 1/2 | 2900 | 1\"/> <tr> <td>U-24</td> <td>"</td> <td>"</td> <td>V-675</td> <td>122</td> <td>1/2</td> <td>2900</td> <td>1\"/&gt;  <tr> <td>U-25</td> <td>"</td> <td>"</td> <td>V-675</td> <td>122</td> <td>1/2</td> <td>2900</td> <td>1\"/&gt;  <tr> <td>U-26</td> <td>"</td> <td>"</td> <td>V-675</td> <td>122</td> <td>1/2</td> <td>2900</td> <td>1\"/&gt;  <tr> <td>U-27</td> <td>"</td> <td>"</td> <td>V-675</td> <td>122</td> <td>1/2</td> <td>2900</td> <td>1\"/&gt;  <tr> <td>U-28</td> <td>"</td> <td>"</td> <td>V-675</td> <td>122</td> <td>1/2</td> <td>2900</td> <td>1\"/&gt;  <tr> <td>U-29</td> <td>"</td> <td>"</td> <td>V-675</td> <td>122</td> <td>1/2</td> <td>2900</td> <td>1\"/&gt;  <tr> <td>U-30</td> <td>"</td> <td>"</td> <td>V-675</td> <td>122</td> <td>1/2</td> <td>2900</td> <td>1\"/&gt;  <tr> <td>U-31</td> <td>"</td> <td>"</td> <td>V-675</td> <td>122</td> <td>1/2</td> <td>2900</td> <td>1\"/&gt;  <tr> <td>U-32</td> <td>"</td> <td>"</td> <td>V-675</td> <td>122</td> <td>1/2</td> <td>2900</td> <td>1\"/&gt;  <tr> <td>U-33</td> <td>"</td> <td>"</td> <td>V-675</td> <td>122</td> <td>1/2</td> <td>2900</td> <td>1\"/&gt;  <tr> <td>U-34</td> <td>"</td> <td>"</td> <td>V-675</td> <td>122</td> <td>1/2</td> <td>2900</td> <td>1\"/&gt;  <tr> <td>U-35</td> <td>"</td> <td>"</td> <td>V-675</td> <td>122</td> <td>1/2</td> <td>2900</td> <td>1\"/&gt;  <tr> <td>U-36</td> <td>"</td> <td>"</td> <td>V-675</td> <td>122</td> <td>1/2</td> <td>2900</td> <td>1\"/&gt;  <tr> <td>U-37</td> <td>"</td> <td>"</td> <td>V-675</td> <td>122</td> <td>1/2</td> <td>2900</td> <td>1\"/&gt;  <tr> <td>U-38</td> <td>"</td> <td>"</td> <td>V-675</td> <td>122</td> <td>1/2</td> <td>2900</td> <td>1\"/&gt;  <tr> <td>U-39</td> <td>"</td> <td>"</td> <td>V-675</td> <td>122</td> <td>1/2</td> <td>2900</td> <td>1\"/&gt;  <tr> <td>U-40</td> <td>"</td> <td>"</td> <td>V-675</td> <td>122</td> <td>1/2</td> <td>2900</td> <td>1\"/&gt;  <tr> <td>U-41</td> <td>"</td> <td>"</td> <td>V-675</td> <td>122</td> <td>1/2</td> <td>2900</td> <td>1\"/&gt;  <tr> <td>U-42</td> <td>"</td> <td>"</td> <td>V-675</td> <td>122</td> <td>1/2</td> <td>2900</td> <td>1\"/&gt;  <tr> <td>U-43</td> <td>"</td> <td>"</td> <td>V-675</td> <td>122</td> <td>1/2</td> <td>2900</td> <td>1\"/&gt;  <tr> <td>U-44</td> <td>"</td> <td>"</td> <td>V-675</td> <td>122</td> <td>1/2</td> <td>2900</td> <td>1\"/&gt;  <tr> <td>U-45</td> <td>"</td> <td>"</td> <td>V-675</td> <td>122</td> <td>1/2</td> <td>2900</td> <td>1\"/&gt;  <tr> <td>U-46</td> <td>"</td> <td>"</td> <td>V-675</td> <td>122</td> <td>1/2</td> <td>2900</td> <td>1\"/&gt;  <tr> <td>U-47</td> <td>"</td> <td>"</td> <td>V-675</td> <td>122</td> <td>1/2</td> <td>2900</td> <td>1\"/&gt;  <tr> <td>U-48</td> <td>"</td> <td>"</td> <td>V-675</td> <td>122</td> <td>1/2</td> <td>2900</td> <td>1\"/&gt;  <tr> <td>U-49</td> <td>"</td> <td>"</td> <td>V-675</td> <td>122</td> <td>1/2</td> <td>2900</td> <td>1\"/&gt;  <tr> <td>U-50</td> <td>"</td> <td>"</td> <td>V-675</td> <td>122</td> <td>1/2</td> <td>2900</td> <td>1\"/&gt;  </td></tr></td></tr></td></tr></td></tr></td></tr></td></tr></td></tr></td></tr></td></tr></td></tr></td></tr></td></tr></td></tr></td></tr></td></tr></td></tr></td></tr></td></tr></td></tr></td></tr></td></tr></td></tr></td></tr></td></tr></td></tr></td></tr></td></tr>  | U-24 | " | " | V-675 | 122 | 1/2 | 2900 | 1\"/> <tr> <td>U-25</td> <td>"</td> <td>"</td> <td>V-675</td> <td>122</td> <td>1/2</td> <td>2900</td> <td>1\"/&gt;  <tr> <td>U-26</td> <td>"</td> <td>"</td> <td>V-675</td> <td>122</td> <td>1/2</td> <td>2900</td> <td>1\"/&gt;  <tr> <td>U-27</td> <td>"</td> <td>"</td> <td>V-675</td> <td>122</td> <td>1/2</td> <td>2900</td> <td>1\"/&gt;  <tr> <td>U-28</td> <td>"</td> <td>"</td> <td>V-675</td> <td>122</td> <td>1/2</td> <td>2900</td> <td>1\"/&gt;  <tr> <td>U-29</td> <td>"</td> <td>"</td> <td>V-675</td> <td>122</td> <td>1/2</td> <td>2900</td> <td>1\"/&gt;  <tr> <td>U-30</td> <td>"</td> <td>"</td> <td>V-675</td> <td>122</td> <td>1/2</td> <td>2900</td> <td>1\"/&gt;  <tr> <td>U-31</td> <td>"</td> <td>"</td> <td>V-675</td> <td>122</td> <td>1/2</td> <td>2900</td> <td>1\"/&gt;  <tr> <td>U-32</td> <td>"</td> <td>"</td> <td>V-675</td> <td>122</td> <td>1/2</td> <td>2900</td> <td>1\"/&gt;  <tr> <td>U-33</td> <td>"</td> <td>"</td> <td>V-675</td> <td>122</td> <td>1/2</td> <td>2900</td> <td>1\"/&gt;  <tr> <td>U-34</td> <td>"</td> <td>"</td> <td>V-675</td> <td>122</td> <td>1/2</td> <td>2900</td> <td>1\"/&gt;  <tr> <td>U-35</td> <td>"</td> <td>"</td> <td>V-675</td> <td>122</td> <td>1/2</td> <td>2900</td> <td>1\"/&gt;  <tr> <td>U-36</td> <td>"</td> <td>"</td> <td>V-675</td> <td>122</td> <td>1/2</td> <td>2900</td> <td>1\"/&gt;  <tr> <td>U-37</td> <td>"</td> <td>"</td> <td>V-675</td> <td>122</td> <td>1/2</td> <td>2900</td> <td>1\"/&gt;  <tr> <td>U-38</td> <td>"</td> <td>"</td> <td>V-675</td> <td>122</td> <td>1/2</td> <td>2900</td> <td>1\"/&gt;  <tr> <td>U-39</td> <td>"</td> <td>"</td> <td>V-675</td> <td>122</td> <td>1/2</td> <td>2900</td> <td>1\"/&gt;  <tr> <td>U-40</td> <td>"</td> <td>"</td> <td>V-675</td> <td>122</td> <td>1/2</td> <td>2900</td> <td>1\"/&gt;  <tr> <td>U-41</td> <td>"</td> <td>"</td> <td>V-675</td> <td>122</td> <td>1/2</td> <td>2900</td> <td>1\"/&gt;  <tr> <td>U-42</td> <td>"</td> <td>"</td> <td>V-675</td> <td>122</td> <td>1/2</td> <td>2900</td> <td>1\"/&gt;  <tr> <td>U-43</td> <td>"</td> <td>"</td> <td>V-675</td> <td>122</td> <td>1/2</td> <td>2900</td> <td>1\"/&gt;  <tr> <td>U-44</td> <td>"</td> <td>"</td> <td>V-675</td> <td>122</td> <td>1/2</td> <td>2900</td> <td>1\"/&gt;  <tr> <td>U-45</td> <td>"</td> <td>"</td> <td>V-675</td> <td>122</td> <td>1/2</td> <td>2900</td> <td>1\"/&gt;  <tr> <td>U-46</td> <td>"</td> <td>"</td> <td>V-675</td> <td>122</td> <td>1/2</td> <td>2900</td> <td>1\"/&gt;  <tr> <td>U-47</td>
<td>"</td> <td>"</td> <td>V-675</td> <td>122</td> <td>1/2</td> <td>2900</td> <td>1\"/&gt;  <tr> <td>U-48</td> <td>"</td> <td>"</td> <td>V-675</td> <td>122</td> <td>1/2</td> <td>2900</td> <td>1\"/&gt;  <tr> <td>U-49</td> <td>"</td> <td>"</td> <td>V-675</td> <td>122</td> <td>1/2</td> <td>2900</td> <td>1\"/&gt;  <tr> <td>U-50</td> <td>"</td> <td>"</td> <td>V-675</td> <td>122</td> <td>1/2</td> <td>2900</td> <td>1\"/&gt;  </td></tr></td></tr></td></tr></td></tr></td></tr></td></tr></td></tr></td></tr></td></tr></td></tr></td></tr></td></tr></td></tr></td></tr></td></tr></td></tr></td></tr></td></tr></td></tr></td></tr></td></tr></td></tr></td></tr></td></tr></td></tr></td></tr>   | U-25 | " | " | V-675 | 122 | 1/2 | 2900 | 1\"/> <tr> <td>U-26</td> <td>"</td> <td>"</td> <td>V-675</td> <td>122</td> <td>1/2</td> <td>2900</td> <td>1\"/&gt;  <tr> <td>U-27</td> <td>"</td> <td>"</td> <td>V-675</td> <td>122</td> <td>1/2</td> <td>2900</td> <td>1\"/&gt;  <tr> <td>U-28</td> <td>"</td> <td>"</td> <td>V-675</td> <td>122</td> <td>1/2</td> <td>2900</td> <td>1\"/&gt;  <tr> <td>U-29</td> <td>"</td> <td>"</td> <td>V-675</td> <td>122</td> <td>1/2</td> <td>2900</td> <td>1\"/&gt;  <tr> <td>U-30</td> <td>"</td> <td>"</td> <td>V-675</td> <td>122</td> <td>1/2</td> <td>2900</td> <td>1\"/&gt;  <tr> <td>U-31</td> <td>"</td> <td>"</td> <td>V-675</td> <td>122</td> <td>1/2</td> <td>2900</td> <td>1\"/&gt;  <tr> <td>U-32</td> <td>"</td> <td>"</td> <td>V-675</td> <td>122</td> <td>1/2</td> <td>2900</td> <td>1\"/&gt;  <tr> <td>U-33</td> <td>"</td> <td>"</td> <td>V-675</td> <td>122</td> <td>1/2</td> <td>2900</td> <td>1\"/&gt;  <tr> <td>U-34</td> <td>"</td> <td>"</td> <td>V-675</td> <td>122</td> <td>1/2</td> <td>2900</td> <td>1\"/&gt;  <tr> <td>U-35</td> <td>"</td> <td>"</td> <td>V-675</td> <td>122</td> <td>1/2</td> <td>2900</td> <td>1\"/&gt;  <tr> <td>U-36</td> <td>"</td> <td>"</td> <td>V-675</td> <td>122</td> <td>1/2</td> <td>2900</td> <td>1\"/&gt;  <tr> <td>U-37</td> <td>"</td> <td>"</td> <td>V-675</td> <td>122</td> <td>1/2</td> <td>2900</td> <td>1\"/&gt;  <tr> <td>U-38</td> <td>"</td> <td>"</td> <td>V-675</td> <td>122</td> <td>1/2</td> <td>2900</td> <td>1\"/&gt;  <tr> <td>U-39</td> <td>"</td> <td>"</td> <td>V-675</td> <td>122</td> <td>1/2</td> <td>2900</td> <td>1\"/&gt;  <tr> <td>U-40</td> <td>"</td> <td>"</td> <td>V-675</td> <td>122</td> <td>1/2</td> <td>2900</td> <td>1\"/&gt;  <tr> <td>U-41</td> <td>"</td> <td>"</td> <td>V-675</td> <td>122</td> <td>1/2</td> <td>2900</td> <td>1\"/&gt;  <tr> <td>U-42</td> <td>"</td> <td>"</td> <td>V-675</td> <td>122</td> <td>1/2</td> <td>2900</td> <td>1\"/&gt;  <tr> <td>U-43</td> <td>"</td> <td>"</td> <td>V-675</td> <td>122</td> <td>1/2</td> <td>2900</td> <td>1\"/&gt;  <tr> <td>U-44</td> <td>"</td> <td>"</td> <td>V-675</td> <td>122</td> <td>1/2</td> <td>2900</td> <td>1\"/&gt;  <tr> <td>U-45</td> <td>"</td> <td>"</td> <td>V-675</td> <td>122</td> <td>1/2</td> <td>2900</td> <td>1\"/&gt;  <tr> <td>U-46</td> <td>"</td> <td>"</td> <td>V-675</td> <td>122</td> <td>1/2</td> <td>2900</td> <td>1\"/&gt;  <tr> <td>U-47</td> <td>"</td> <td>"</td> <td>V-675</td> <td>122</td> <td>1/2</td> <td>2900</td> <td>1\"/&gt;  <tr> <td>U-48</td> <td>"</td> <td>"</td> <td>V-675</td> <td>122</td> <td>1/2</td> <td>2900</td> <td>1\"/&gt;  <tr> <td>U-49</td> <td>"</td> <td>"</td> <td>V-675</td> <td>122</td> <td>1/2</td> <td>2900</td> <td>1\"/&gt;  <tr> <td>U-50</td> <td>"</td> <td>"</td> <td>V-675</td> <td>122</td> <td>1/2</td> <td>2900</td> <td>1\"/&gt;  </td></tr></td></tr></td></tr></td></tr></td></tr></td></tr></td></tr></td></tr></td></tr></td></tr></td></tr></td></tr></td></tr></td></tr></td></tr></td></tr></td></tr></td></tr></td></tr></td></tr></td></tr></td></tr></td></tr></td></tr></td></tr>  | U-26 | " | " | V-675 | 122 | 1/2 | 2900 | 1\"/> <tr> <td>U-27</td> <td>"</td> <td>"</td> <td>V-675</td> <td>122</td> <td>1/2</td> <td>2900</td> <td>1\"/&gt;  <tr> <td>U-28</td> <td>"</td> <td>"</td> <td>V-675</td> <td>122</td> <td>1/2</td> <td>2900</td> <td>1\"/&gt;  <tr> <td>U-29</td> <td>"</td> <td>"</td> <td>V-675</td> <td>122</td> <td>1/2</td> <td>2900</td> <td>1\"/&gt;  <tr> <td>U-30</td> <td>"</td> <td>"</td> <td>V-675</td> <td>122</td> <td>1/2</td> <td>2900</td> <td>1\"/&gt;  <tr> <td>U-31</td> <td>"</td> <td>"</td> <td>V-675</td> <td>122</td> <td>1/2</td> <td>2900</td> <td>1\"/&gt;  <tr> <td>U-32</td> <td>"</td> <td>"</td> <td>V-675</td> <td>122</td> <td>1/2</td> <td>2900</td> <td>1\"/&gt;  <tr> <td>U-33</td> <td>"</td> <td>"</td> <td>V-675</td> <td>122</td> <td>1/2</td> <td>2900</td> <td>1\"/&gt;  <tr> <td>U-34</td> <td>"</td> <td>"</td> <td>V-675</td> <td>122</td> <td>1/2</td> <td>2900</td> <td>1\"/&gt;  <tr> <td>U-35</td> <td>"</td> <td>"</td> <td>V-675</td> <td>122</td> <td>1/2</td> <td>2900</td> <td>1\"/&gt;  <tr> <td>U-36</td> <td>"</td> <td>"</td> <td>V-675</td> <td>122</td> <td>1/2</td> <td>2900</td> <td>1\"/&gt;  <tr> <td>U-37</td> <td>"</td> <td>"</td> <td>V-675</td> <td>122</td> <td>1/2</td> <td>2900</td> <td>1\"/&gt;  <tr> <td>U-38</td> <td>"</td> <td>"</td> <td>V-675</td> <td>122</td> <td>1/2</td> <td>2900</td> <td>1\"/&gt;  <tr> <td>U-39</td> <td>"</td> <td>"</td> <td>V-675</td> <td>122</td> <td>1/2</td> <td>2900</td> <td>1\"/&gt;  <tr> <td>U-40</td> <td>"</td> <td>"</td> <td>V-675</td> <td>122</td> <td>1/2</td> <td>2900</td> <td>1\"/&gt;  <tr> <td>U-41</td> <td>"</td> <td>"</td> <td>V-675</td> <td>122</td> <td>1/2</td> <td>2900</td> <td>1\"/&gt;  <tr>
<td>U-42</td> <td>"</td> <td>"</td> <td>V-675</td> <td>122</td> <td>1/2</td> <td>2900</td> <td>1\"/&gt;  <tr> <td>U-43</td> <td>"</td> <td>"</td> <td>V-675</td> <td>122</td> <td>1/2</td> <td>2900</td> <td>1\"/&gt;  <tr> <td>U-44</td> <td>"</td> <td>"</td> <td>V-675</td> <td>122</td> <td>1/2</td> <td>2900</td> <td>1\"/&gt;  <tr> <td>U-45</td> <td>"</td> <td>"</td> <td>V-675</td> <td>122</td> <td>1/2</td> <td>2900</td> <td>1\"/&gt;  <tr> <td>U-46</td> <td>"</td> <td>"</td> <td>V-675</td> <td>122</td> <td>1/2</td> <td>2900</td> <td>1\"/&gt;  <tr> <td>U-47</td> <td>"</td> <td>"</td> <td>V-675</td> <td>122</td> <td>1/2</td> <td>2900</td> <td>1\"/&gt;  <tr> <td>U-48</td> <td>"</td> <td>"</td> <td>V-675</td> <td>122</td> <td>1/2</td> <td>2900</td> <td>1\"/&gt;  <tr> <td>U-49</td> <td>"</td> <td>"</td> <td>V-675</td> <td>122</td> <td>1/2</td> <td>2900</td> <td>1\"/&gt;  <tr> <td>U-50</td> <td>"</td> <td>"</td> <td>V-675</td> <td>122</td> <td>1/2</td> <td>2900</td> <td>1\"/&gt;  </td></tr></td></tr></td></tr></td></tr></td></tr></td></tr></td></tr></td></tr></td></tr></td></tr></td></tr></td></tr></td></tr></td></tr></td></tr></td></tr></td></tr></td></tr></td></tr></td></tr></td></tr></td></tr></td></tr></td></tr>   | U-27 | " | " | V-675 | 122 | 1/2 | 2900 | 1\"/> <tr> <td>U-28</td> <td>"</td> <td>"</td> <td>V-675</td> <td>122</td> <td>1/2</td> <td>2900</td> <td>1\"/&gt;  <tr> <td>U-29</td> <td>"</td> <td>"</td> <td>V-675</td> <td>122</td> <td>1/2</td> <td>2900</td> <td>1\"/&gt;  <tr> <td>U-30</td> <td>"</td> <td>"</td> <td>V-675</td> <td>122</td> <td>1/2</td> <td>2900</td> <td>1\"/&gt;  <tr> <td>U-31</td> <td>"</td> <td>"</td> <td>V-675</td> <td>122</td> <td>1/2</td> <td>2900</td> <td>1\"/&gt;  <tr> <td>U-32</td> <td>"</td> <td>"</td> <td>V-675</td> <td>122</td> <td>1/2</td> <td>2900</td> <td>1\"/&gt;  <tr> <td>U-33</td> <td>"</td> <td>"</td> <td>V-675</td> <td>122</td> <td>1/2</td> <td>2900</td> <td>1\"/&gt;  <tr> <td>U-34</td> <td>"</td> <td>"</td> <td>V-675</td> <td>122</td> <td>1/2</td> <td>2900</td> <td>1\"/&gt;  <tr> <td>U-35</td> <td>"</td> <td>"</td> <td>V-675</td> <td>122</td> <td>1/2</td> <td>2900</td> <td>1\"/&gt;  <tr> <td>U-36</td> <td>"</td> <td>"</td> <td>V-675</td> <td>122</td> <td>1/2</td> <td>2900</td> <td>1\"/&gt;  <tr> <td>U-37</td> <td>"</td> <td>"</td> <td>V-675</td> <td>122</td> <td>1/2</td> <td>2900</td> <td>1\"/&gt;  <tr> <td>U-38</td> <td>"</td> <td>"</td> <td>V-675</td> <td>122</td> <td>1/2</td> <td>2900</td> <td>1\"/&gt;  <tr> <td>U-39</td> <td>"</td> <td>"</td> <td>V-675</td> <td>122</td> <td>1/2</td> <td>2900</td> <td>1\"/&gt;  <tr> <td>U-40</td> <td>"</td> <td>"</td> <td>V-675</td> <td>122</td> <td>1/2</td> <td>2900</td> <td>1\"/&gt;  <tr> <td>U-41</td> <td>"</td> <td>"</td> <td>V-675</td> <td>122</td> <td>1/2</td> <td>2900</td> <td>1\"/&gt;  <tr> <td>U-42</td> <td>"</td> <td>"</td> <td>V-675</td> <td>122</td> <td>1/2</td> <td>2900</td> <td>1\"/&gt;  <tr> <td>U-43</td> <td>"</td> <td>"</td> <td>V-675</td> <td>122</td> <td>1/2</td> <td>2900</td> <td>1\"/&gt;  <tr> <td>U-44</td> <td>"</td> <td>"</td> <td>V-675</td> <td>122</td> <td>1/2</td> <td>2900</td> <td>1\"/&gt;  <tr> <td>U-45</td> <td>"</td> <td>"</td> <td>V-675</td> <td>122</td> <td>1/2</td> <td>2900</td> <td>1\"/&gt;  <tr> <td>U-46</td> <td>"</td> <td>"</td> <td>V-675</td> <td>122</td> <td>1/2</td> <td>2900</td> <td>1\"/&gt;  <tr> <td>U-47</td> <td>"</td> <td>"</td> <td>V-675</td> <td>122</td> <td>1/2</td> <td>2900</td> <td>1\"/&gt;  <tr> <td>U-48</td> <td>"</td> <td>"</td> <td>V-675</td> <td>122</td> <td>1/2</td> <td>2900</td> <td>1\"/&gt;  <tr> <td>U-49</td> <td>"</td> <td>"</td> <td>V-675</td> <td>122</td> <td>1/2</td> <td>2900</td> <td>1\"/&gt;  <tr> <td>U-50</td> <td>"</td> <td>"</td> <td>V-675</td> <td>122</td> <td>1/2</td> <td>2900</td> <td>1\"/&gt;  </td></tr></td></tr></td></tr></td></tr></td></tr></td></tr></td></tr></td></tr></td></tr></td></tr></td></tr></td></tr></td></tr></td></tr></td></tr></td></tr></td></tr></td></tr></td></tr></td></tr></td></tr></td></tr></td></tr>  | U-28 | " | " | V-675 | 122 | 1/2 | 2900 | 1\"/> <tr> <td>U-29</td> <td>"</td> <td>"</td> <td>V-675</td> <td>122</td> <td>1/2</td> <td>2900</td> <td>1\"/&gt;  <tr> <td>U-30</td> <td>"</td> <td>"</td> <td>V-675</td> <td>122</td> <td>1/2</td> <td>2900</td> <td>1\"/&gt;  <tr> <td>U-31</td> <td>"</td> <td>"</td> <td>V-675</td> <td>122</td> <td>1/2</td> <td>2900</td> <td>1\"/&gt;  <tr> <td>U-32</td> <td>"</td> <td>"</td> <td>V-675</td> <td>122</td> <td>1/2</td> <td>2900</td> <td>1\"/&gt;  <tr> <td>U-33</td> <td>"</td> <td>"</td> <td>V-675</td> <td>122</td> <td>1/2</td> <td>2900</td> <td>1\"/&gt;  <tr> <td>U-34</td> <td>"</td> <td>"</td> <td>V-675</td> <td>122</td> <td>1/2</td> <td>2900</td> <td>1\"/&gt;  <tr> <td>U-35</td> <td>"</td> <td>"</td> <td>V-675</td> <td>122</td> <td>1/2</td> <td>2900</td> <td>1\"/&gt;  <tr> <td>U-36</td> <td>"</td> <td>"</td> <td>V-675</td> <td>122</td> <td>1/2</td> <td>2900</td> <td>1\"/&gt;  <tr> <td>U-37</td> <td>"</td> <td>"</td> <td>V-675</td> <td>122</td> <td>1/2</td> <td>2900</td> <td>1\"/&gt;  <tr> <td>U-38</td> <td>"</td> <td>"</td> <td>V-675</td> <td>122</td> <td>1/2</td> <td>2900</td> <td>1\"/&gt;  <tr> <td>U-39</td> <td>"</td> <td>"</td> <td>V-675</td> <td>122</td> <td>1/2</td> <td>2900</td> <td>1\"/&gt;  <tr> <td>U-40</td> <td>"</td> <td>"</td> <td>V-675</td> <td>122</td> <td>1/2</td> <td>2900</td> <td>1\"/&gt;  <tr> <td>U-41</td> <td>"</td>
<td>"</td> <td>V-675</td> <td>122</td> <td>1/2</td> <td>2900</td> <td>1\"/&gt;  <tr> <td>U-42</td> <td>"</td> <td>"</td> <td>V-675</td> <td>122</td> <td>1/2</td> <td>2900</td> <td>1\"/&gt;  <tr> <td>U-43</td> <td>"</td> <td>"</td> <td>V-675</td> <td>122</td> <td>1/2</td> <td>2900</td> <td>1\"/&gt;  <tr> <td>U-44</td> <td>"</td> <td>"</td> <td>V-675</td> <td>122</td> <td>1/2</td> <td>2900</td> <td>1\"/&gt;  <tr> <td>U-45</td> <td>"</td> <td>"</td> <td>V-675</td> <td>122</td> <td>1/2</td> <td>2900</td> <td>1\"/&gt;  <tr> <td>U-46</td> <td>"</td> <td>"</td> <td>V-675</td> <td>122</td> <td>1/2</td> <td>2900</td> <td>1\"/&gt;  <tr> <td>U-47</td> <td>"</td> <td>"</td> <td>V-675</td> <td>122</td> <td>1/2</td> <td>2900</td> <td>1\"/&gt;  <tr> <td>U-48</td> <td>"</td> <td>"</td> <td>V-675</td> <td>122</td> <td>1/2</td> <td>2900</td> <td>1\"/&gt;  <tr> <td>U-49</td> <td>"</td> <td>"</td> <td>V-675</td> <td>122</td> <td>1/2</td> <td>2900</td> <td>1\"/&gt;  <tr> <td>U-50</td> <td>"</td> <td>"</td> <td>V-675</td> <td>122</td> <td>1/2</td> <td>2900</td> <td>1\"/&gt;  </td></tr></td></tr></td></tr></td></tr></td></tr></td></tr></td></tr></td></tr></td></tr></td></tr></td></tr></td></tr></td></tr></td></tr></td></tr></td></tr></td></tr></td></tr></td></tr></td></tr></td></tr></td></tr>   | U-29 | " | " | V-675 | 122 | 1/2 | 2900 | 1\"/> <tr> <td>U-30</td> <td>"</td> <td>"</td> <td>V-675</td> <td>122</td> <td>1/2</td> <td>2900</td> <td>1\"/&gt;  <tr> <td>U-31</td> <td>"</td> <td>"</td> <td>V-675</td> <td>122</td> <td>1/2</td> <td>2900</td> <td>1\"/&gt;  <tr> <td>U-32</td> <td>"</td> <td>"</td> <td>V-675</td> <td>122</td> <td>1/2</td> <td>2900</td> <td>1\"/&gt;  <tr> <td>U-33</td> <td>"</td> <td>"</td> <td>V-675</td> <td>122</td> <td>1/2</td> <td>2900</td> <td>1\"/&gt;  <tr> <td>U-34</td> <td>"</td> <td>"</td> <td>V-675</td> <td>122</td> <td>1/2</td> <td>2900</td> <td>1\"/&gt;  <tr> <td>U-35</td> <td>"</td> <td>"</td> <td>V-675</td> <td>122</td> <td>1/2</td> <td>2900</td> <td>1\"/&gt;  <tr> <td>U-36</td> <td>"</td> <td>"</td> <td>V-675</td> <td>122</td> <td>1/2</td> <td>2900</td> <td>1\"/&gt;  <tr> <td>U-37</td> <td>"</td> <td>"</td> <td>V-675</td> <td>122</td> <td>1/2</td> <td>2900</td> <td>1\"/&gt;  <tr> <td>U-38</td> <td>"</td> <td>"</td> <td>V-675</td> <td>122</td> <td>1/2</td> <td>2900</td> <td>1\"/&gt;  <tr> <td>U-39</td> <td>"</td> <td>"</td> <td>V-675</td> <td>122</td> <td>1/2</td> <td>2900</td> <td>1\"/&gt;  <tr> <td>U-40</td> <td>"</td> <td>"</td> <td>V-675</td> <td>122</td> <td>1/2</td> <td>2900</td> <td>1\"/&gt;  <tr> <td>U-41</td> <td>"</td> <td>"</td> <td>V-675</td> <td>122</td> <td>1/2</td> <td>2900</td> <td>1\"/&gt;  <tr> <td>U-42</td> <td>"</td> <td>"</td> <td>V-675</td> <td>122</td> <td>1/2</td> <td>2900</td> <td>1\"/&gt;  <tr> <td>U-43</td> <td>"</td> <td>"</td> <td>V-675</td> <td>122</td> <td>1/2</td> <td>2900</td> <td>1\"/&gt;  <tr> <td>U-44</td> <td>"</td> <td>"</td> <td>V-675</td> <td>122</td> <td>1/2</td> <td>2900</td> <td>1\"/&gt;  <tr> <td>U-45</td> <td>"</td> <td>"</td> <td>V-675</td> <td>122</td> <td>1/2</td> <td>2900</td> <td>1\"/&gt;  <tr> <td>U-46</td> <td>"</td> <td>"</td> <td>V-675</td> <td>122</td> <td>1/2</td> <td>2900</td> <td>1\"/&gt;  <tr> <td>U-47</td> <td>"</td> <td>"</td> <td>V-675</td> <td>122</td> <td>1/2</td> <td>2900</td> <td>1\"/&gt;  <tr> <td>U-48</td> <td>"</td> <td>"</td> <td>V-675</td> <td>122</td> <td>1/2</td> <td>2900</td> <td>1\"/&gt;  <tr> <td>U-49</td> <td>"</td> <td>"</td> <td>V-675</td> <td>122</td> <td>1/2</td> <td>2900</td> <td>1\"/&gt;  <tr> <td>U-50</td> <td>"</td> <td>"</td> <td>V-675</td> <td>122</td> <td>1/2</td> <td>2900</td> <td>1\"/&gt;  </td></tr></td></tr></td></tr></td></tr></td></tr></td></tr></td></tr></td></tr></td></tr></td></tr></td></tr></td></tr></td></tr></td></tr></td></tr></td></tr></td></tr></td></tr></td></tr></td></tr></td></tr>   | U-30 | " | " | V-675 | 122 | 1/2 | 2900 | 1\"/> <tr> <td>U-31</td> <td>"</td> <td>"</td> <td>V-675</td> <td>122</td> <td>1/2</td> <td>2900</td> <td>1\"/&gt;  <tr> <td>U-32</td> <td>"</td> <td>"</td> <td>V-675</td> <td>122</td> <td>1/2</td> <td>2900</td> <td>1\"/&gt;  <tr> <td>U-33</td> <td>"</td> <td>"</td> <td>V-675</td> <td>122</td> <td>1/2</td> <td>2900</td> <td>1\"/&gt;  <tr> <td>U-34</td> <td>"</td> <td>"</td> <td>V-675</td> <td>122</td> <td>1/2</td> <td>2900</td> <td>1\"/&gt;  <tr> <td>U-35</td> <td>"</td> <td>"</td> <td>V-675</td> <td>122</td> <td>1/2</td> <td>2900</td> <td>1\"/&gt;  <tr> <td>U-36</td> <td>"</td> <td>"</td> <td>V-675</td> <td>122</td> <td>1/2</td> <td>2900</td> <td>1\"/&gt;  <tr> <td>U-37</td> <td>"</td> <td>"</td> <td>V-675</td> <td>122</td> <td>1/2</td> <td>2900</td> <td>1\"/&gt;  <tr> <td>U-38</td> <td>"</td> <td>"</td> <td>V-675</td> <td>122</td> <td>1/2</td> <td>2900</td> <td>1\"/&gt;  <tr> <td>U-39</td> <td>"</td> <td>"</td> <td>V-675</td> <td>122</td> <td>1/2</td> <td>2900</td> <td>1\"/&gt;  <tr> <td>U-40</td> <td>"</td> <td>"</td> <td>V-675</td> <td>122</td> <td>1/2</td> <td>2900</td> <td>1\"/&gt;  <tr> <td>U-41</td> <td>"</td> <td>"</td> <td>V-675</td> <td>122</td> <td>1/2</td> <td>2900</td> <td>1\"/&gt;  <tr> <td>U-42</td> <td>"</td> <td>"</td> <td>V-675</td> <td>122</td> <td>1/2</td> <td>2900</td> <td>1\"/&gt;  <tr> <td>U-43</td> <td>"</td> <td>"</td> <td>V-675</td> <td>122</td> <td>1/2</td> <td>2900</td> <td>1\"/&gt;  <tr> <td>U-44</td> <td>"</td> <td>"</td> <td>V-675</td> <td>122</td> <td>1/2</td> <td>2900</td>
<td>1\"/&gt;  <tr> <td>U-45</td> <td>"</td> <td>"</td> <td>V-675</td> <td>122</td> <td>1/2</td> <td>2900</td> <td>1\"/&gt;  <tr> <td>U-46</td> <td>"</td> <td>"</td> <td>V-675</td> <td>122</td> <td>1/2</td> <td>2900</td> <td>1\"/&gt;  <tr> <td>U-47</td> <td>"</td> <td>"</td> <td>V-675</td> <td>122</td> <td>1/2</td> <td>2900</td> <td>1\"/&gt;  <tr> <td>U-48</td> <td>"</td> <td>"</td> <td>V-675</td> <td>122</td> <td>1/2</td> <td>2900</td> <td>1\"/&gt;  <tr> <td>U-49</td> <td>"</td> <td>"</td> <td>V-675</td> <td>122</td> <td>1/2</td> <td>2900</td> <td>1\"/&gt;  <tr> <td>U-50</td> <td>"</td> <td>"</td> <td>V-675</td> <td>122</td> <td>1/2</td> <td>2900</td> <td>1\"/&gt;  </td></tr></td></tr></td></tr></td></tr></td></tr></td></tr></td></tr></td></tr></td></tr></td></tr></td></tr></td></tr></td></tr></td></tr></td></tr></td></tr></td></tr></td></tr></td></tr></td></tr>   | U-31 | " | " | V-675 | 122 | 1/2 | 2900 | 1\"/> <tr> <td>U-32</td> <td>"</td> <td>"</td> <td>V-675</td> <td>122</td> <td>1/2</td> <td>2900</td> <td>1\"/&gt;  <tr> <td>U-33</td> <td>"</td> <td>"</td> <td>V-675</td> <td>122</td> <td>1/2</td> <td>2900</td> <td>1\"/&gt;  <tr> <td>U-34</td> <td>"</td> <td>"</td> <td>V-675</td> <td>122</td> <td>1/2</td> <td>2900</td> <td>1\"/&gt;  <tr> <td>U-35</td> <td>"</td> <td>"</td> <td>V-675</td> <td>122</td> <td>1/2</td> <td>2900</td> <td>1\"/&gt;  <tr> <td>U-36</td> <td>"</td> <td>"</td> <td>V-675</td> <td>122</td> <td>1/2</td> <td>2900</td> <td>1\"/&gt;  <tr> <td>U-37</td> <td>"</td> <td>"</td> <td>V-675</td> <td>122</td> <td>1/2</td> <td>2900</td> <td>1\"/&gt;  <tr> <td>U-38</td> <td>"</td> <td>"</td> <td>V-675</td> <td>122</td> <td>1/2</td> <td>2900</td> <td>1\"/&gt;  <tr> <td>U-39</td> <td>"</td> <td>"</td> <td>V-675</td> <td>122</td> <td>1/2</td> <td>2900</td> <td>1\"/&gt;  <tr> <td>U-40</td> <td>"</td> <td>"</td> <td>V-675</td> <td>122</td> <td>1/2</td> <td>2900</td> <td>1\"/&gt;  <tr> <td>U-41</td> <td>"</td> <td>"</td> <td>V-675</td> <td>122</td> <td>1/2</td> <td>2900</td> <td>1\"/&gt;  <tr> <td>U-42</td> <td>"</td> <td>"</td> <td>V-675</td> <td>122</td> <td>1/2</td> <td>2900</td> <td>1\"/&gt;  <tr> <td>U-43</td> <td>"</td> <td>"</td> <td>V-675</td> <td>122</td> <td>1/2</td> <td>2900</td> <td>1\"/&gt;  <tr> <td>U-44</td> <td>"</td> <td>"</td> <td>V-675</td> <td>122</td> <td>1/2</td> <td>2900</td> <td>1\"/&gt;  <tr> <td>U-45</td> <td>"</td> <td>"</td> <td>V-675</td> <td>122</td> <td>1/2</td> <td>2900</td> <td>1\"/&gt;  <tr> <td>U-46</td> <td>"</td> <td>"</td> <td>V-675</td> <td>122</td> <td>1/2</td> <td>2900</td> <td>1\"/&gt;  <tr> <td>U-47</td> <td>"</td> <td>"</td> <td>V-675</td> <td>122</td> <td>1/2</td> <td>2900</td> <td>1\"/&gt;  <tr> <td>U-48</td> <td>"</td> <td>"</td> <td>V-675</td> <td>122</td> <td>1/2</td> <td>2900</td> <td>1\"/&gt;  <tr> <td>U-49</td> <td>"</td> <td>"</td> <td>V-675</td> <td>122</td> <td>1/2</td> <td>2900</td> <td>1\"/&gt;  <tr> <td>U-50</td> <td>"</td> <td>"</td> <td>V-675</td> <td>122</td> <td>1/2</td> <td>2900</td> <td>1\"/&gt;  </td></tr></td></tr></td></tr></td></tr></td></tr></td></tr></td></tr></td></tr></td></tr></td></tr></td></tr></td></tr></td></tr></td></tr></td></tr></td></tr></td></tr></td></tr></td></tr>   | U-32 | " | " | V-675 | 122 | 1/2 | 2900 | 1\"/> <tr> <td>U-33</td> <td>"</td> <td>"</td> <td>V-675</td> <td>122</td> <td>1/2</td> <td>2900</td> <td>1\"/&gt;  <tr> <td>U-34</td> <td>"</td> <td>"</td> <td>V-675</td> <td>122</td> <td>1/2</td> <td>2900</td> <td>1\"/&gt;  <tr> <td>U-35</td> <td>"</td> <td>"</td> <td>V-675</td> <td>122</td> <td>1/2</td> <td>2900</td> <td>1\"/&gt;  <tr> <td>U-36</td> <td>"</td> <td>"</td> <td>V-675</td> <td>122</td> <td>1/2</td> <td>2900</td> <td>1\"/&gt;  <tr> <td>U-37</td> <td>"</td> <td>"</td> <td>V-675</td> <td>122</td> <td>1/2</td> <td>2900</td> <td>1\"/&gt;  <tr> <td>U-38</td> <td>"</td> <td>"</td> <td>V-675</td> <td>122</td> <td>1/2</td> <td>2900</td> <td>1\"/&gt;  <tr> <td>U-39</td> <td>"</td> <td>"</td> <td>V-675</td> <td>122</td> <td>1/2</td> <td>2900</td> <td>1\"/&gt;  <tr> <td>U-40</td> <td>"</td> <td>"</td> <td>V-675</td> <td>122</td> <td>1/2</td> <td>2900</td> <td>1\"/&gt;  <tr> <td>U-41</td> <td>"</td> <td>"</td> <td>V-675</td> <td>122</td> <td>1/2</td> <td>2900</td> <td>1\"/&gt;  <tr> <td>U-42</td> <td>"</td> <td>"</td> <td>V-675</td> <td>122</td> <td>1/2</td> <td>2900</td> <td>1\"/&gt;  <tr> <td>U-43</td> <td>"</td> <td>"</td> <td>V-675</td> <td>122</td> <td>1/2</td> <td>2900</td> <td>1\"/&gt;  <tr> <td>U-44</td> <td>"</td> <td>"</td> <td>V-675</td> <td>122</td> <td>1/2</td> <td>2900</td> <td>1\"/&gt;  <tr> <td>U-45</td> <td>"</td> <td>"</td> <td>V-675</td> <td>122</td> <td>1/2</td> <td>2900</td> <td>1\"/&gt;  <tr> <td>U-46</td> <td>"</td> <td>"</td> <td>V-675</td> <td>122</td> <td>1/2</td> <td>2900</td> <td>1\"/&gt;  <tr> <td>U-47</td> <td>"</td> <td>"</td> <td>V-675</td> <td>122</td> <td>1/2</td> <td>2900</td> <td>1\"/&gt;  <tr> <td>U-48</td> <td>"</td> <td>"</td> <td>V-675</td> <td>122</td> <td>1/2</td> <td>2900</td> <td>1\"/&gt;  <tr> <td>U-49</td> <td>"</td> <td>"</td> <td>V-675</td> <td>122</td> <td>1/2</td> <td>2900</td> <td>1\"/&gt;  <tr> <td>U-50</td> <td>"</td> <td>"</td> <td>V-675</td> <td>122</td> <td>1/2</td> <td>2900</td> <td>1\"/&gt;  </td></tr></td></tr></td></tr></td></tr></td></tr></td></tr></td></tr></td></tr></td></tr></td></tr></td></tr></td></tr></td></tr></td></tr></td></tr></td></tr></td></tr></td></tr>                       
   | U-33 | " | " | V-675 | 122 | 1/2 | 2900 | 1\"/> <tr> <td>U-34</td> <td>"</td> <td>"</td> <td>V-675</td> <td>122</td> <td>1/2</td> <td>2900</td> <td>1\"/&gt;  <tr> <td>U-35</td> <td>"</td> <td>"</td> <td>V-675</td> <td>122</td> <td>1/2</td> <td>2900</td> <td>1\"/&gt;  <tr> <td>U-36</td> <td>"</td> <td>"</td> <td>V-675</td> <td>122</td> <td>1/2</td> <td>2900</td> <td>1\"/&gt;  <tr> <td>U-37</td> <td>"</td> <td>"</td> <td>V-675</td> <td>122</td> <td>1/2</td> <td>2900</td> <td>1\"/&gt;  <tr> <td>U-38</td> <td>"</td> <td>"</td> <td>V-675</td> <td>122</td> <td>1/2</td> <td>2900</td> <td>1\"/&gt;  <tr> <td>U-39</td> <td>"</td> <td>"</td> <td>V-675</td> <td>122</td> <td>1/2</td> <td>2900</td> <td>1\"/&gt;  <tr> <td>U-40</td> <td>"</td> <td>"</td> <td>V-675</td> <td>122</td> <td>1/2</td> <td>2900</td> <td>1\"/&gt;  <tr> <td>U-41</td> <td>"</td> <td>"</td> <td>V-675</td> <td>122</td> <td>1/2</td> <td>2900</td> <td>1\"/&gt;  <tr> <td>U-42</td> <td>"</td> <td>"</td> <td>V-675</td> <td>122</td> <td>1/2</td> <td>2900</td> <td>1\"/&gt;  <tr> <td>U-43</td> <td>"</td> <td>"</td> <td>V-675</td> <td>122</td> <td>1/2</td> <td>2900</td> <td>1\"/&gt;  <tr> <td>U-44</td> <td>"</td> <td>"</td> <td>V-675</td> <td>122</td> <td>1/2</td> <td>2900</td> <td>1\"/&gt;  <tr> <td>U-45</td> <td>"</td> <td>"</td> <td>V-675</td> <td>122</td> <td>1/2</td> <td>2900</td> <td>1\"/&gt;  <tr> <td>U-46</td> <td>"</td> <td>"</td> <td>V-675</td> <td>122</td> <td>1/2</td> <td>2900</td> <td>1\"/&gt;  <tr> <td>U-47</td> <td>"</td> <td>"</td> <td>V-675</td> <td>122</td> <td>1/2</td> <td>2900</td> <td>1\"/&gt;  <tr> <td>U-48</td> <td>"</td> <td>"</td> <td>V-675</td> <td>122</td> <td>1/2</td> <td>2900</td> <td>1\"/&gt;  <tr> <td>U-49</td> <td>"</td> <td>"</td> <td>V-675</td> <td>122</td> <td>1/2</td> <td>2900</td> <td>1\"/&gt;  <tr> <td>U-50</td> <td>"</td> <td>"</td> <td>V-675</td> <td>122</td> <td>1/2</td> <td>2900</td> <td>1\"/&gt;  </td></tr></td></tr></td></tr></td></tr></td></tr></td></tr></td></tr></td></tr></td></tr></td></tr></td></tr></td></tr></td></tr></td></tr></td></tr></td></tr></td></tr>   | U-34 | " | " | V-675 | 122 | 1/2 | 2900 | 1\"/> <tr> <td>U-35</td> <td>"</td> <td>"</td> <td>V-675</td> <td>122</td> <td>1/2</td> <td>2900</td> <td>1\"/&gt;  <tr> <td>U-36</td> <td>"</td> <td>"</td> <td>V-675</td> <td>122</td> <td>1/2</td> <td>2900</td> <td>1\"/&gt;  <tr> <td>U-37</td> <td>"</td> <td>"</td> <td>V-675</td> <td>122</td> <td>1/2</td> <td>2900</td> <td>1\"/&gt;  <tr> <td>U-38</td> <td>"</td> <td>"</td> <td>V-675</td> <td>122</td> <td>1/2</td> <td>2900</td> <td>1\"/&gt;  <tr> <td>U-39</td> <td>"</td> <td>"</td> <td>V-675</td> <td>122</td> <td>1/2</td> <td>2900</td> <td>1\"/&gt;  <tr> <td>U-40</td> <td>"</td> <td>"</td> <td>V-675</td> <td>122</td> <td>1/2</td> <td>2900</td> <td>1\"/&gt;  <tr> <td>U-41</td> <td>"</td> <td>"</td> <td>V-675</td> <td>122</td> <td>1/2</td> <td>2900</td> <td>1\"/&gt;  <tr> <td>U-42</td> <td>"</td> <td>"</td> <td>V-675</td> <td>122</td> <td>1/2</td> <td>2900</td> <td>1\"/&gt;  <tr> <td>U-43</td> <td>"</td> <td>"</td> <td>V-675</td> <td>122</td> <td>1/2</td> <td>2900</td> <td>1\"/&gt;  <tr> <td>U-44</td> <td>"</td> <td>"</td> <td>V-675</td> <td>122</td> <td>1/2</td> <td>2900</td> <td>1\"/&gt;  <tr> <td>U-45</td> <td>"</td> <td>"</td> <td>V-675</td> <td>122</td> <td>1/2</td> <td>2900</td> <td>1\"/&gt;  <tr> <td>U-46</td> <td>"</td> <td>"</td> <td>V-675</td> <td>122</td> <td>1/2</td> <td>2900</td> <td>1\"/&gt;  <tr> <td>U-47</td> <td>"</td> <td>"</td> <td>V-675</td> <td>122</td> <td>1/2</td> <td>2900</td> <td>1\"/&gt;  <tr> <td>U-48</td> <td>"</td> <td>"</td> <td>V-675</td> <td>122</td> <td>1/2</td> <td>2900</td> <td>1\"/&gt;  <tr> <td>U-49</td> <td>"</td> <td>"</td> <td>V-675</td> <td>122</td> <td>1/2</td> <td>2900</td> <td>1\"/&gt;  <tr> <td>U-50</td> <td>"</td> <td>"</td> <td>V-675</td> <td>122</td> <td>1/2</td> <td>2900</td> <td>1\"/&gt;  </td></tr></td></tr></td></tr></td></tr></td></tr></td></tr></td></tr></td></tr></td></tr></td></tr></td></tr></td></tr></td></tr></td></tr></td></tr></td></tr>   
   | U-35 | " | " | V-675 | 122 | 1/2 | 2900 | 1\"/> <tr> <td>U-36</td> <td>"</td> <td>"</td> <td>V-675</td> <td>122</td> <td>1/2</td> <td>2900</td> <td>1\"/&gt;  <tr> <td>U-37</td> <td>"</td> <td>"</td> <td>V-675</td> <td>122</td> <td>1/2</td> <td>2900</td> <td>1\"/&gt;  <tr> <td>U-38</td> <td>"</td> <td>"</td> <td>V-675</td> <td>122</td> <td>1/2</td> <td>2900</td> <td>1\"/&gt;  <tr> <td>U-39</td> <td>"</td> <td>"</td> <td>V-675</td> <td>122</td> <td>1/2</td> <td>2900</td> <td>1\"/&gt;  <tr> <td>U-40</td> <td>"</td> <td>"</td> <td>V-675</td> <td>122</td> <td>1/2</td> <td>2900</td> <td>1\"/&gt;  <tr> <td>U-41</td> <td>"</td> <td>"</td> <td>V-675</td> <td>122</td> <td>1/2</td> <td>2900</td> <td>1\"/&gt;  <tr> <td>U-42</td> <td>"</td> <td>"</td> <td>V-675</td> <td>122</td> <td>1/2</td> <td>2900</td> <td>1\"/&gt;  <tr> <td>U-43</td> <td>"</td> <td>"</td> <td>V-675</td> <td>122</td> <td>1/2</td> <td>2900</td> <td>1\"/&gt;  <tr> <td>U-44</td> <td>"</td> <td>"</td> <td>V-675</td> <td>122</td> <td>1/2</td> <td>2900</td> <td>1\"/&gt;  <tr> <td>U-45</td> <td>"</td> <td>"</td> <td>V-675</td> <td>122</td> <td>1/2</td> <td>2900</td> <td>1\"/&gt;  <tr> <td>U-46</td> <td>"</td> <td>"</td> <td>V-675</td> <td>122</td> <td>1/2</td> <td>2900</td> <td>1\"/&gt;  <tr> <td>U-47</td> <td>"</td> <td>"</td> <td>V-675</td> <td>122</td> <td>1/2</td> <td>2900</td> <td>1\"/&gt;  <tr> <td>U-48</td> <td>"</td> <td>"</td> <td>V-675</td> <td>122</td> <td>1/2</td> <td>2900</td> <td>1\"/&gt;  <tr> <td>U-49</td> <td>"</td> <td>"</td> <td>V-675</td> <td>122</td> <td>1/2</td> <td>2900</td> <td>1\"/&gt;  <tr> <td>U-50</td> <td>"</td> <td>"</td> <td>V-675</td> <td>122</td> <td>1/2</td> <td>2900</td> <td>1\"/&gt;  </td></tr></td></tr></td></tr></td></tr></td></tr></td></tr></td></tr></td></tr></td></tr></td></tr></td></tr></td></tr></td></tr></td></tr></td></tr>   | U-36 | " | " | V-675 | 122 | 1/2 | 2900 | 1\"/> <tr> <td>U-37</td> <td>"</td> <td>"</td> <td>V-675</td> <td>122</td> <td>1/2</td> <td>2900</td> <td>1\"/&gt;  <tr> <td>U-38</td> <td>"</td> <td>"</td> <td>V-675</td> <td>122</td> <td>1/2</td> <td>2900</td> <td>1\"/&gt;  <tr> <td>U-39</td> <td>"</td> <td>"</td> <td>V-675</td> <td>122</td> <td>1/2</td> <td>2900</td> <td>1\"/&gt;  <tr> <td>U-40</td> <td>"</td> <td>"</td> <td>V-675</td> <td>122</td> <td>1/2</td> <td>2900</td> <td>1\"/&gt;  <tr> <td>U-41</td> <td>"</td> <td>"</td> <td>V-675</td> <td>122</td> <td>1/2</td> <td>2900</td> <td>1\"/&gt;  <tr> <td>U-42</td> <td>"</td> <td>"</td> <td>V-675</td> <td>122</td> <td>1/2</td> <td>2900</td> <td>1\"/&gt;  <tr> <td>U-43</td> <td>"</td> <td>"</td> <td>V-675</td> <td>122</td> <td>1/2</td> <td>2900</td> <td>1\"/&gt;  <tr> <td>U-44</td> <td>"</td> <td>"</td> <td>V-675</td> <td>122</td> <td>1/2</td> <td>2900</td> <td>1\"/&gt;  <tr> <td>U-45</td> <td>"</td> <td>"</td> <td>V-675</td> <td>122</td> <td>1/2</td> <td>2900</td> <td>1\"/&gt;  <tr> <td>U-46</td> <td>"</td> <td>"</td> <td>V-675</td> <td>122</td> <td>1/2</td> <td>2900</td> <td>1\"/&gt;  <tr> <td>U-47</td> <td>"</td> <td>"</td> <td>V-675</td> <td>122</td> <td>1/2</td> <td>2900</td> <td>1\"/&gt;  <tr> <td>U-48</td> <td>"</td> <td>"</td> <td>V-675</td> <td>122</td> <td>1/2</td> <td>2900</td> <td>1\"/&gt;  <tr> <td>U-49</td> <td>"</td> <td>"</td> <td>V-675</td> <td>122</td> <td>1/2</td> <td>2900</td> <td>1\"/&gt;  <tr> <td>U-50</td> <td>"</td> <td>"</td> <td>V-675</td> <td>122</td> <td>1/2</td> <td>2900</td> <td>1\"/&gt;  </td></tr></td></tr></td></tr></td></tr></td></tr></td></tr></td></tr></td></tr></td></tr></td></tr></td></tr></td></tr></td></tr></td></tr>   | U-37 | " | " | V-675 | 122 | 1/2 | 2900 | 1\"/> <tr> <td>U-38</td> <td>"</td> <td>"</td> <td>V-675</td> <td>122</td> <td>1/2</td> <td>2900</td> <td>1\"/&gt;  <tr> <td>U-39</td> <td>"</td> <td>"</td> <td>V-675</td> <td>122</td> <td>1/2</td> <td>2900</td> <td>1\"/&gt;  <tr> <td>U-40</td> <td>"</td> <td>"</td> <td>V-675</td> <td>122</td> <td>1/2</td> <td>2900</td> <td>1\"/&gt;  <tr> <td>U-41</td> <td>"</td> <td>"</td> <td>V-675</td> <td>122</td> <td>1/2</td> <td>2900</td> <td>1\"/&gt;  <tr> <td>U-42</td> <td>"</td> <td>"</td> <td>V-675</td> <td>122</td> <td>1/2</td> <td>2900</td> <td>1\"/&gt;  <tr> <td>U-43</td> <td>"</td> <td>"</td> <td>V-675</td> <td>122</td> <td>1/2</td> <td>2900</td> <td>1\"/&gt;  <tr> <td>U-44</td> <td>"</td> <td>"</td> <td>V-675</td> <td>122</td> <td>1/2</td> <td>2900</td> <td>1\"/&gt;  <tr> <td>U-45</td> <td>"</td> <td>"</td> <td>V-675</td> <td>122</td> <td>1/2</td> <td>2900</td> <td>1\"/&gt;  <tr> <td>U-46</td> <td>"</td> <td>"</td>
<td>V-675</td> <td>122</td> <td>1/2</td> <td>2900</td> <td>1\"/&gt;  <tr> <td>U-47</td> <td>"</td> <td>"</td> <td>V-675</td> <td>122</td> <td>1/2</td> <td>2900</td> <td>1\"/&gt;  <tr> <td>U-48</td> <td>"</td> <td>"</td> <td>V-675</td> <td>122</td> <td>1/2</td> <td>2900</td> <td>1\"/&gt;  <tr> <td>U-49</td> <td>"</td> <td>"</td> <td>V-675</td> <td>122</td> <td>1/2</td> <td>2900</td> <td>1\"/&gt;  <tr> <td>U-50</td> <td>"</td> <td>"</td> <td>V-675</td> <td>122</td> <td>1/2</td> <td>2900</td> <td>1\"/&gt;  </td></tr></td></tr></td></tr></td></tr></td></tr></td></tr></td></tr></td></tr></td></tr></td></tr></td></tr></td></tr></td></tr>   | U-38 | " | " | V-675 | 122 | 1/2 | 2900 | 1\"/> <tr> <td>U-39</td> <td>"</td> <td>"</td> <td>V-675</td> <td>122</td> <td>1/2</td> <td>2900</td> <td>1\"/&gt;  <tr> <td>U-40</td> <td>"</td> <td>"</td> <td>V-675</td> <td>122</td> <td>1/2</td> <td>2900</td> <td>1\"/&gt;  <tr> <td>U-41</td> <td>"</td> <td>"</td> <td>V-675</td> <td>122</td> <td>1/2</td> <td>2900</td> <td>1\"/&gt;  <tr> <td>U-42</td> <td>"</td> <td>"</td> <td>V-675</td> <td>122</td> <td>1/2</td> <td>2900</td> <td>1\"/&gt;  <tr> <td>U-43</td> <td>"</td> <td>"</td> <td>V-675</td> <td>122</td> <td>1/2</td> <td>2900</td> <td>1\"/&gt;  <tr> <td>U-44</td> <td>"</td> <td>"</td> <td>V-675</td> <td>122</td> <td>1/2</td> <td>2900</td> <td>1\"/&gt;  <tr> <td>U-45</td> <td>"</td> <td>"</td> <td>V-675</td> <td>122</td> <td>1/2</td> <td>2900</td> <td>1\"/&gt;  <tr> <td>U-46</td> <td>"</td> <td>"</td> <td>V-675</td> <td>122</td> <td>1/2</td> <td>2900</td> <td>1\"/&gt;  <tr> <td>U-47</td> <td>"</td> <td>"</td> <td>V-675</td> <td>122</td> <td>1/2</td> <td>2900</td> <td>1\"/&gt;  <tr> <td>U-48</td> <td>"</td> <td>"</td> <td>V-675</td> <td>122</td> <td>1/2</td> <td>2900</td> <td>1\"/&gt;  <tr> <td>U-49</td> <td>"</td> <td>"</td> <td>V-675</td> <td>122</td> <td>1/2</td> <td>2900</td> <td>1\"/&gt;  <tr> <td>U-50</td> <td>"</td> <td>"</td> <td>V-675</td> <td>122</td> <td>1/2</td> <td>2900</td> <td>1\"/&gt;  </td></tr></td></tr></td></tr></td></tr></td></tr></td></tr></td></tr></td></tr></td></tr></td></tr></td></tr></td></tr>   | U-39 | " | " | V-675 | 122 | 1/2 | 2900 | 1\"/> <tr> <td>U-40</td> <td>"</td> <td>"</td> <td>V-675</td> <td>122</td> <td>1/2</td> <td>2900</td> <td>1\"/&gt;  <tr> <td>U-41</td> <td>"</td> <td>"</td> <td>V-675</td> <td>122</td> <td>1/2</td> <td>2900</td> <td>1\"/&gt;  <tr> <td>U-42</td> <td>"</td> <td>"</td> <td>V-675</td> <td>122</td> <td>1/2</td> <td>2900</td> <td>1\"/&gt;  <tr> <td>U-43</td> <td>"</td> <td>"</td> <td>V-675</td> <td>122</td> <td>1/2</td> <td>2900</td> <td>1\"/&gt;  <tr> <td>U-44</td> <td>"</td> <td>"</td> <td>V-675</td> <td>122</td> <td>1/2</td> <td>2900</td> <td>1\"/&gt;  <tr> <td>U-45</td> <td>"</td> <td>"</td> <td>V-675</td> <td>122</td> <td>1/2</td> <td>2900</td> <td>1\"/&gt;  <tr> <td>U-46</td> <td>"</td> <td>"</td> <td>V-675</td> <td>122</td> <td>1/2</td> <td>2900</td> <td>1\"/&gt;  <tr> <td>U-47</td> <td>"</td> <td>"</td> <td>V-675</td> <td>122</td> <td>1/2</td> <td>2900</td> <td>1\"/&gt;  <tr> <td>U-48</td> <td>"</td> <td>"</td> <td>V-675</td> <td>122</td> <td>1/2</td> <td>2900</td> <td>1\"/&gt;  <tr> <td>U-49</td> <td>"</td> <td>"</td> <td>V-675</td> <td>122</td> <td>1/2</td> <td>2900</td> <td>1\"/&gt;  <tr> <td>U-50</td> <td>"</td> <td>"</td> <td>V-675</td> <td>122</td> <td>1/2</td> <td>2900</td> <td>1\"/&gt;  </td></tr></td></tr></td></tr></td></tr></td></tr></td></tr></td></tr></td></tr></td></tr></td></tr></td></tr>  
  | U-40 | " | " | V-675 | 122 | 1/2 | 2900 | 1\"/> <tr> <td>U-41</td> <td>"</td> <td>"</td> <td>V-675</td> <td>122</td> <td>1/2</td> <td>2900</td> <td>1\"/&gt;  <tr> <td>U-42</td> <td>"</td> <td>"</td> <td>V-675</td> <td>122</td> <td>1/2</td> <td>2900</td> <td>1\"/&gt;  <tr> <td>U-43</td> <td>"</td> <td>"</td> <td>V-675</td> <td>122</td> <td>1/2</td> <td>2900</td> <td>1\"/&gt;  <tr> <td>U-44</td> <td>"</td> <td>"</td> <td>V-675</td> <td>122</td> <td>1/2</td> <td>2900</td> <td>1\"/&gt;  <tr> <td>U-45</td> <td>"</td> <td>"</td> <td>V-675</td> <td>122</td> <td>1/2</td> <td>2900</td> <td>1\"/&gt;  <tr> <td>U-46</td> <td>"</td> <td>"</td> <td>V-675</td> <td>122</td> <td>1/2</td> <td>2900</td> <td>1\"/&gt;  <tr> <td>U-47</td> <td>"</td> <td>"</td> <td>V-675</td> <td>122</td> <td>1/2</td> <td>2900</td> <td>1\"/&gt;  <tr> <td>U-48</td> <td>"</td> <td>"</td> <td>V-675</td> <td>122</td> <td>1/2</td> <td>2900</td> <td>1\"/&gt;  <tr> <td>U-49</td> <td>"</td> <td>"</td> <td>V-675</td> <td>122</td> <td>1/2</td> <td>2900</td> <td>1\"/&gt;  <tr> <td>U-50</td> <td>"</td> <td>"</td> <td>V-675</td> <td>122</td> <td>1/2</td> <td>2900</td> <td>1\"/&gt;  </td></tr></td></tr></td></tr></td></tr></td></tr></td></tr></td></tr></td></tr></td></tr></td></tr>   | U-41 | " | " | V-675 | 122 | 1/2 | 2900 | 1\"/> <tr> <td>U-42</td> <td>"</td> <td>"</td> <td>V-675</td> <td>122</td> <td>1/2</td> <td>2900</td> <td>1\"/&gt;  <tr> <td>U-43</td> <td>"</td> <td>"</td> <td>V-675</td> <td>122</td> <td>1/2</td> <td>2900</td> <td>1\"/&gt;  <tr> <td>U-44</td> <td>"</td> <td>"</td> <td>V-675</td> <td>122</td> <td>1/2</td> <td>2900</td> <td>1\"/&gt;  <tr> <td>U-45</td> <td>"</td> <td>"</td> <td>V-675</td> <td>122</td> <td>1/2</td> <td>2900</td> <td>1\"/&gt;  <tr> <td>U-46</td> <td>"</td> <td>"</td> <td>V-675</td> <td>122</td> <td>1/2</td> <td>2900</td> <td>1\"/&gt;  <tr> <td>U-47</td> <td>"</td> <td>"</td> <td>V-675</td> <td>122</td> <td>1/2</td> <td>2900</td> <td>1\"/&gt;  <tr> <td>U-48</td> <td>"</td> <td>"</td> <td>V-675</td> <td>122</td> <td>1/2</td> <td>2900</td> <td>1\"/&gt;  <tr> <td>U-49</td> <td>"</td> <td>"</td> <td>V-675</td> <td>122</td> <td>1/2</td> <td>2900</td> <td>1\"/&gt;  <tr> <td>U-50</td> <td>"</td> <td>"</td> <td>V-675</td> <td>122</td> <td>1/2</td> <td>2900</td> <td>1\"/&gt;  </td></tr></td></tr></td></tr></td></tr></td></tr></td></tr></td></tr></td></tr></td></tr>   | U-42 | " | " | V-675 | 122 | 1/2 | 2900 | 1\"/> <tr> <td>U-43</td> <td>"</td> <td>"</td> <td>V-675</td> <td>122</td> <td>1/2</td> <td>2900</td> <td>1\"/&gt;  <tr> <td>U-44</td> <td>"</td> <td>"</td> <td>V-675</td> <td>122</td> <td>1/2</td> <td>2900</td> <td>1\"/&gt;  <tr> <td>U-45</td> <td>"</td> <td>"</td> <td>V-675</td> <td>122</td> <td>1/2</td> <td>2900</td> <td>1\"/&gt;  <tr> <td>U-46</td> <td>"</td> <td>"</td> <td>V-675</td> <td>122</td> <td>1/2</td> <td>2900</td> <td>1\"/&gt;  <tr> <td>U-47</td> <td>"</td> <td>"</td> <td>V-675</td> <td>122</td> <td>1/2</td> <td>2900</td> <td>1\"/&gt;  <tr> <td>U-48</td> <td>"</td> <td>"</td> <td>V-675</td> <td>122</td> <td>1/2</td> <td>2900</td> <td>1\"/&gt;  <tr> <td>U-49</td> <td>"</td> <td>"</td> <td>V-675</td> <td>122</td> <td>1/2</td> <td>2900</td> <td>1\"/&gt;  <tr> <td>U-50</td> <td>"</td> <td>"</td> <td>V-675</td> <td>122</td> <td>1/2</td> <td>2900</td> <td>1\"/&gt;  </td></tr></td></tr></td></tr></td></tr></td></tr></td></tr></td></tr></td></tr>   
   | U-43 | " | " | V-675 | 122 | 1/2 | 2900 | 1\"/> <tr> <td>U-44</td> <td>"</td> <td>"</td> <td>V-675</td> <td>122</td> <td>1/2</td> <td>2900</td> <td>1\"/&gt;  <tr> <td>U-45</td> <td>"</td> <td>"</td> <td>V-675</td> <td>122</td> <td>1/2</td> <td>2900</td> <td>1\"/&gt;  <tr> <td>U-46</td> <td>"</td> <td>"</td> <td>V-675</td> <td>122</td> <td>1/2</td> <td>2900</td> <td>1\"/&gt;  <tr> <td>U-47</td> <td>"</td> <td>"</td> <td>V-675</td> <td>122</td> <td>1/2</td> <td>2900</td> <td>1\"/&gt;  <tr> <td>U-48</td> <td>"</td> <td>"</td> <td>V-675</td> <td>122</td> <td>1/2</td> <td>2900</td> <td>1\"/&gt;  <tr> <td>U-49</td> <td>"</td> <td>"</td> <td>V-675</td> <td>122</td> <td>1/2</td> <td>2900</td> <td>1\"/&gt;  <tr> <td>U-50</td> <td>"</td> <td>"</td> <td>V-675</td> <td>122</td> <td>1/2</td> <td>2900</td> <td>1\"/&gt;  </td></tr></td></tr></td></tr></td></tr></td></tr></td></tr></td></tr>   | U-44 | " | " | V-675 | 122 | 1/2 | 2900 | 1\"/> <tr> <td>U-45</td> <td>"</td> <td>"</td> <td>V-675</td> <td>122</td> <td>1/2</td> <td>2900</td> <td>1\"/&gt;  <tr> <td>U-46</td> <td>"</td> <td>"</td> <td>V-675</td> <td>122</td> <td>1/2</td> <td>2900</td> <td>1\"/&gt;  <tr> <td>U-47</td> <td>"</td> <td>"</td> <td>V-675</td> <td>122</td> <td>1/2</td> <td>2900</td> <td>1\"/&gt;  <tr> <td>U-48</td> <td>"</td> <td>"</td> <td>V-675</td> <td>122</td> <td>1/2</td> <td>2900</td> <td>1\"/&gt;  <tr> <td>U-49</td> <td>"</td> <td>"</td> <td>V-675</td> <td>122</td> <td>1/2</td> <td>2900</td> <td>1\"/&gt;  <tr> <td>U-50</td> <td>"</td> <td>"</td> <td>V-675</td> <td>122</td> <td>1/2</td> <td>2900</td> <td>1\"/&gt;  </td></tr></td></tr></td></tr></td></tr></td></tr></td></tr>   | U-45 | " | " | V-675 | 122 | 1/2 | 2900 | 1\"/> <tr> <td>U-46</td> <td>"</td> <td>"</td> <td>V-675</td> <td>122</td> <td>1/2</td> <td>2900</td> <td>1\"/&gt;  <tr> <td>U-47</td> <td>"</td> <td>"</td> <td>V-675</td> <td>122</td> <td>1/2</td> <td>2900</td> <td>1\"/&gt;  <tr> <td>U-48</td> <td>"</td> <td>"</td> <td>V-675</td> <td>122</td> <td>1/2</td> <td>2900</td> <td>1\"/&gt;  <tr> <td>U-49</td> <td>"</td> <td>"</td> <td>V-675</td> <td>122</td> <td>1/2</td> <td>2900</td> <td>1\"/&gt;  <tr> <td>U-50</td> <td>"</td> <td>"</td> <td>V-675</td> <td>122</td> <td>1/2</td> <td>2900</td> <td>1\"/&gt;  </td></tr></td></tr></td></tr></td></tr></td></tr>   | U-46 | " | " | V-675 | 122 | 1/2 | 2900 | 1\"/> <tr> <td>U-47</td> <td>"</td> <td>"</td> <td>V-675</td> <td>122</td> <td>1/2</td> <td>2900</td> <td>1\"/&gt;  <tr> <td>U-48</td> <td>"</td> <td>"</td> <td>V-675</td> <td>122</td> <td>1/2</td> <td>2900</td> <td>1\"/&gt; 
<tr> <td>U-49</td> <td>"</td> <td>"</td> <td>V-675</td> <td>122</td> <td>1/2</td> <td>2900</td> <td>1\"/&gt;  <tr> <td>U-50</td> <td>"</td> <td>"</td> <td>V-675</td> <td>122</td> <td>1/2</td> <td>2900</td> <td>1\"/&gt;  </td></tr></td></tr></td></tr></td></tr>   | U-47 | " | " | V-675 | 122 | 1/2 | 2900 | 1\"/> <tr> <td>U-48</td> <td>"</td> <td>"</td> <td>V-675</td> <td>122</td> <td>1/2</td> <td>2900</td> <td>1\"/&gt;  <tr> <td>U-49</td> <td>"</td> <td>"</td> <td>V-675</td> <td>122</td> <td>1/2</td> <td>2900</td> <td>1\"/&gt;  <tr> <td>U-50</td> <td>"</td> <td>"</td> <td>V-675</td> <td>122</td> <td>1/2</td> <td>2900</td> <td>1\"/&gt;  </td></tr></td></tr></td></tr>   | U-48 | " | " | V-675 | 122 | 1/2 | 2900 | 1\"/> <tr> <td>U-49</td> <td>"</td> <td>"</td> <td>V-675</td> <td>122</td> <td>1/2</td> <td>2900</td> <td>1\"/&gt;  <tr> <td>U-50</td> <td>"</td> <td>"</td> <td>V-675</td> <td>122</td> <td>1/2</td> <td>2900</td> <td>1\"/&gt;  </td></tr></td></tr>   | U-49 | " | " | V-675 | 122 | 1/2 | 2900 | 1\"/> <tr> <td>U-50</td> <td>"</td> <td>"</td> <td>V-675</td> <td>122</td> <td>1/2</td> <td>2900</td> <td>1\"/&gt;  </td></tr>  
  | U-50 | " | " | V-675 | 122 | 1/2 | 2900 | 1\"/>  |      |   |   |       |     |     |      |  |      |   |   |       |     |     |      |  |      |   |   |       |     |     |      |  |      |   |   |       |     |     |      | | | | | | | | | | | | | | | | | | | | | | | | | |
   |      |   |   |       |     |     |      |  |      |   |   |       |     |     |      |  |      |   |   |       |     |     |      |  |      |   |   |       |     |     |      |  |      |   |   |       |     |     |      |  |      |   |   |       |     |     |      |  |      |   |   |       |     |     |      |   
  |      |   |   |       |     |     |      |  |      |   |   |       |     |     |      |  |      |   |   |       |     |     |      |  |      |   |   |       |     |     |      |  |      |   |   |       |     |     |      |  |      |   |   |       |     |     |      |  |      |   |   |       |     |     |      |  |      |   |   |       |     |     |      |       |
| U-15 | "             | "                       | V-675    | 122  | 1/2           | 2900    | 1\"/> <tr> <td>U-16</td> <td>"</td> <td>"</td> <td>V-675</td> <td>122</td> <td>1/2</td> <td>2900</td> <td>1\"/&gt;  <tr> <td>U-17</td> <td>"</td> <td>"</td> <td>V-675</td> <td>122</td> <td>1/2</td> <td>2900</td> <td>1\"/&gt;  <tr> <td>U-18</td> <td>"</td> <td>"</td> <td>V-675</td> <td>122</td> <td>1/2</td> <td>2900</td> <td>1\"/&gt;  <tr> <td>U-19</td> <td>"</td> <td>"</td> <td>V-675</td> <td>122</td> <td>1/2</td> <td>2900</td> <td>1\"/&gt;  <tr> <td>U-20</td> <td>"</td> <td>"</td> <td>V-675</td> <td>122</td> <td>1/2</td> <td>2900</td> <td>1\"/&gt;  <tr> <td>U-21</td> <td>"</td> <td>"</td> <td>V-675</td> <td>122</td> <td>1/2</td> <td>2900</td> <td>1\"/&gt;  <tr> <td>U-22</td> <td>"</td> <td>"</td> <td>V-675</td> <td>122</td> <td>1/2</td> <td>2900</td> <td>1\"/&gt;  <tr> <td>U-23</td> <td>"</td> <td>"</td> <td>V-675</td> <td>122</td> <td>1/2</td> <td>2900</td> <td>1\"/&gt;  <tr> <td>U-24</td> <td>"</td> <td>"</td> <td>V-675</td> <td>122</td> <td>1/2</td> <td>2900</td> <td>1\"/&gt;  <tr> <td>U-25</td> <td>"</td> <td>"</td> <td>V-675</td> <td>122</td> <td>1/2</td> <td>2900</td> <td>1\"/&gt;  <tr> <td>U-26</td> <td>"</td> <td>"</td> <td>V-675</td> <td>122</td> <td>1/2</td> <td>2900</td> <td>1\"/&gt;  <tr> <td>U-27</td> <td>"</td> <td>"</td> <td>V-675</td> <td>122</td> <td>1/2</td> <td>2900</td> <td>1\"/&gt;  <tr> <td>U-28</td> <td>"</td> <td>"</td> <td>V-675</td> <td>122</td> <td>1/2</td> <td>2900</td> <td>1\"/&gt;  <tr> <td>U-29</td> <td>"</td> <td>"</td> <td>V-675</td> <td>122</td> <td>1/2</td> <td>2900</td> <td>1\"/&gt;  <tr> <td>U-30</td> <td>"</td> <td>"</td> <td>V-675</td> <td>122</td> <td>1/2</td> <td>2900</td> <td>1\"/&gt;  <tr> <td>U-31</td> <td>"</td> <td>"</td> <td>V-675</td> <td>122</td> <td>1/2</td> <td>2900</td> <td>1\"/&gt;  <tr> <td>U-32</td> <td>"</td> <td>"</td> <td>V-675</td> <td>122</td> <td>1/2</td> <td>2900</td> <td>1\"/&gt;  <tr> <td>U-33</td> <td>"</td> <td>"</td> <td>V-675</td> <td>122</td> <td>1/2</td> <td>2900</td> <td>1\"/&gt;  <tr> <td>U-34</td> <td>"</td> <td>"</td> <td>V-675</td> <td>122</td> <td>1/2</td> <td>2900</td> <td>1\"/&gt;  <tr> <td>U-35</td> <td>"</td> <td>"</td> <td>V-675</td> <td>122</td> <td>1/2</td> <td>2900</td> <td>1\"/&gt;  <tr> <td>U-36</td> <td>"</td> <td>"</td> <td>V-675</td> <td>122</td> <td>1/2</td> <td>2900</td> <td>1\"/&gt;  <tr> <td>U-37</td> <td>"</td> <td>"</td> <td>V-675</td> <td>122</td> <td>1/2</td> <td>2900</td> <td>1\"/&gt;  <tr> <td>U-38</td> <td>"</td> <td>"</td> <td>V-675</td> <td>122</td> <td>1/2</td> <td>2900</td> <td>1\"/&gt;  <tr> <td>U-39</td> <td>"</td> <td>"</td> <td>V-675</td> <td>122</td> <td>1/2</td> <td>2900</td> <td>1\"/&gt;  <tr> <td>U-40</td> <td>"</td> <td>"</td> <td>V-675</td> <td>122</td> <td>1/2</td> <td>2900</td> <td>1\"/&gt;  <tr> <td>U-41</td> <td>"</td> <td>"</td> <td>V-675</td> <td>122</td> <td>1/2</td> <td>2900</td> <td>1\"/&gt;  <tr> <td>U-42</td> <td>"</td> <td>"</td> <td>V-675</td> <td>122</td> <td>1/2</td> <td>2900</td> <td>1\"/&gt;  <tr> <td>U-43</td> <td>"</td> <td>"</td> <td>V-675</td> <td>122</td> <td>1/2</td> <td>2900</td> <td>1\"/&gt;  <tr> <td>U-44</td> <td>"</td> <td>"</td> <td>V-675</td> <td>122</td> <td>1/2</td> <td>2900</td> <td>1\"/&gt;  <tr> <td>U-45</td> <td>"</td> <td>"</td> <td>V-675</td> <td>122</td> <td>1/2</td> <td>2900</td> <td>1\"/&gt;  <tr> <td>U-46</td> <td>"</td> <td>"</td> <td>V-675</td> <td>122</td> <td>1/2</td> <td>2900</td> <td>1\"/&gt;  <tr> <td>U-47</td> <td>"</td> <td>"</td> <td>V-675</td> <td>122</td> <td>1/2</td> <td>2900</td> <td>1\"/&gt;  <tr> <td>U-48</td> <td>"</td> <td>"</td> <td>V-675</td> <td>122</td> <td>1/2</td> <td>2900</td> <td>1\"/&gt;  <tr> <td>U-49</td> <td>"</td> <td>"</td> <td>V-675</td> <td>122</td> <td>1/2</td> <td>2900</td> <td>1\"/&gt;  <tr> <td>U-50</td> <td>"</td> <td>"</td> <td>V-675</td> <td>122</td> <td>1/2</td> <td>2900</td> <td>1\"/&gt;  </td></tr></td></tr></td></tr></td></tr></td></tr></td></tr></td></tr></td></tr></td></tr></td></tr></td></tr></td></tr></td></tr></td></tr></td></tr></td></tr></td></tr></td></tr></td></tr></td></tr></td></tr></td></tr></td></tr></td></tr></td></tr></td></tr></td></tr></td></tr></td></tr></td></tr></td></tr></td></tr></td></tr></td></tr></td></tr>  | U-16 | " | " | V-675  | 122  | 1/2 | 2900   | 1\"/> <tr> <td>U-17</td> <td>"</td> <td>"</td> <td>V-675</td> <td>122</td> <td>1/2</td> <td>2900</td> <td>1\"/&gt;  <tr> <td>U-18</td> <td>"</td> <td>"</td> <td>V-675</td> <td>122</td> <td>1/2</td> <td>2900</td> <td>1\"/&gt;  <tr> <td>U-19</td> <td>"</td> <td>"</td> <td>V-675</td> <td>122</td> <td>1/2</td> <td>2900</td> <td>1\"/&gt;  <tr> <td>U-20</td> <td>"</td> <td>"</td> <td>V-675</td> <td>122</td> <td>1/2</td> <td>2900</td> <td>1\"/&gt;  <tr> <td>U-21</td> <td>"</td> <td>"</td> <td>V-675</td> <td>122</td> <td>1/2</td> <td>2900</td> <td>1\"/&gt;  <tr> <td>U-22</td> <td>"</td> <td>"</td> <td>V-675</td> <td>122</td> <td>1/2</td> <td>2900</td> <td>1\"/&gt;  <tr> <td>U-23</td> <td>"</td> <td>"</td> <td>V-675</td> <td>122</td> <td>1/2</td> <td>2900</td> <td>1\"/&gt;  <tr> <td>U-24</td> <td>"</td> <td>"</td> <td>V-675</td> <td>122</td> <td>1/2</td> <td>2900</td> <td>1\"/&gt;  <tr> <td>U-25</td> <td>"</td> <td>"</td> <td>V-675</td> <td>122</td> <td>1/2</td> <td>2900</td> <td>1\"/&gt;  <tr> <td>U-26</td> <td>"</td> <td>"</td> <td>V-675</td> <td>122</td> <td>1/2</td> <td>2900</td> <td>1\"/&gt;  <tr> <td>U-27</td> <td>"</td> <td>"</td> <td>V-675</td> <td>122</td> <td>1/2</td> <td>2900</td> <td>1\"/&gt;  <tr> <td>U-28</td> <td>"</td> <td>"</td> <td>V-675</td> <td>122</td> <td>1/2</td> <td>2900</td> <td>1\"/&gt;  <tr> <td>U-29</td> <td>"</td> <td>"</td> <td>V-675</td> <td>122</td> <td>1/2</td> <td>2900</td> <td>1\"/&gt;  <tr> <td>U-30</td> <td>"</td> <td>"</td> <td>V-675</td> <td>122</td> <td>1/2</td> <td>2900</td> <td>1\"/&gt;  <tr> <td>U-31</td> <td>"</td> <td>"</td> <td>V-675</td> <td>122</td> <td>1/2</td> <td>2900</td> <td>1\"/&gt;  <tr> <td>U-32</td> <td>"</td> <td>"</td> <td>V-675</td> <td>122</td> <td>1/2</td> <td>2900</td> <td>1\"/&gt;  <tr> <td>U-33</td> <td>"</td> <td>"</td> <td>V-675</td> <td>122</td> <td>1/2</td> <td>2900</td> <td>1\"/&gt;  <tr> <td>U-34</td> <td>"</td> <td>"</td> <td>V-675</td> <td>122</td> <td>1/2</td> <td>2900</td> <td>1\"/&gt;  <tr> <td>U-35</td> <td>"</td> <td>"</td> <td>V-675</td> <td>122</td> <td>1/2</td> <td>2900</td> <td>1\"/&gt;  <tr> <td>U-36</td> <td>"</td> <td>"</td> <td>V-675</td> <td>122</td> <td>1/2</td> <td>2900</td> <td>1\"/&gt;  <tr> <td>U-37</td> <td>"</td> <td>"</td> <td>V-675</td> <td>122</td> <td>1/2</td> <td>2900</td> <td>1\"/&gt;  <tr> <td>U-38</td> <td>"</td> <td>"</td> <td>V-675</td> <td>122</td> <td>1/2</td> <td>2900</td> <td>1\"/&gt;  <tr> <td>U-39</td> <td>"</td> <td>"</td> <td>V-675</td> <td>122</td> <td>1/2</td> <td>2900</td> <td>1\"/&gt;  <tr> <td>U-40</td> <td>"</td> <td>"</td> <td>V-675</td> <td>122</td> <td>1/2</td> <td>2900</td> <td>1\"/&gt;  <tr> <td>U-41</td> <td>"</td> <td>"</td> <td>V-675</td> <td>122</td> <td>1/2</td> <td>2900</td> <td>1\"/&gt;  <tr> <td>U-42</td> <td>"</td> <td>"</td> <td>V-675</td> <td>122</td> <td>1/2</td> <td>2900</td> <td>1\"/&gt;  <tr> <td>U-43</td> <td>"</td> <td>"</td> <td>V-675</td> <td>122</td> <td>1/2</td> <td>2900</td> <td>1\"/&gt;  <tr> <td>U-44</td> <td>"</td> <td>"</td> <td>V-675</td> <td>122</td> <td>1/2</td> <td>2900</td> <td>1\"/&gt;  <tr> <td>U-45</td> <td>"</td> <td>"</td> <td>V-675</td> <td>122</td> <td>1/2</td> <td>2900</td> <td>1\"/&gt;  <tr> <td>U-46</td> <td>"</td> <td>"</td> <td>V-675</td> <td>122</td> <td>1/2</td> <td>2900</td> <td>1\"/&gt; 
<tr> <td>U-47</td> <td>"</td> <td>"</td> <td>V-675</td> <td>122</td> <td>1/2</td> <td>2900</td> <td>1\"/&gt;  <tr> <td>U-48</td> <td>"</td> <td>"</td> <td>V-675</td> <td>122</td> <td>1/2</td> <td>2900</td> <td>1\"/&gt;  <tr> <td>U-49</td> <td>"</td> <td>"</td> <td>V-675</td> <td>122</td> <td>1/2</td> <td>2900</td> <td>1\"/&gt;  <tr> <td>U-50</td> <td>"</td> <td>"</td> <td>V-675</td> <td>122</td> <td>1/2</td> <td>2900</td> <td>1\"/&gt;  </td></tr></td></tr></td></tr></td></tr></td></tr></td></tr></td></tr></td></tr></td></tr></td></tr></td></tr></td></tr></td></tr></td></tr></td></tr></td></tr></td></tr></td></tr></td></tr></td></tr></td></tr></td></tr></td></tr></td></tr></td></tr></td></tr></td></tr></td></tr></td></tr></td></tr></td></tr></td></tr></td></tr></td></tr>   | U-17 | " | " | V-675  | 122 | 1/2 | 2900   | 1\"/> <tr> <td>U-18</td> <td>"</td> <td>"</td> <td>V-675</td> <td>122</td> <td>1/2</td> <td>2900</td> <td>1\"/&gt;  <tr> <td>U-19</td> <td>"</td> <td>"</td> <td>V-675</td> <td>122</td> <td>1/2</td> <td>2900</td> <td>1\"/&gt;  <tr> <td>U-20</td> <td>"</td> <td>"</td> <td>V-675</td> <td>122</td> <td>1/2</td> <td>2900</td> <td>1\"/&gt;  <tr> <td>U-21</td> <td>"</td> <td>"</td> <td>V-675</td> <td>122</td> <td>1/2</td> <td>2900</td> <td>1\"/&gt;  <tr> <td>U-22</td> <td>"</td> <td>"</td> <td>V-675</td> <td>122</td> <td>1/2</td> <td>2900</td> <td>1\"/&gt;  <tr> <td>U-23</td> <td>"</td> <td>"</td> <td>V-675</td> <td>122</td> <td>1/2</td> <td>2900</td> <td>1\"/&gt;  <tr> <td>U-24</td> <td>"</td> <td>"</td> <td>V-675</td> <td>122</td> <td>1/2</td> <td>2900</td> <td>1\"/&gt;  <tr> <td>U-25</td> <td>"</td> <td>"</td> <td>V-675</td> <td>122</td> <td>1/2</td> <td>2900</td> <td>1\"/&gt;  <tr> <td>U-26</td> <td>"</td> <td>"</td> <td>V-675</td> <td>122</td> <td>1/2</td> <td>2900</td> <td>1\"/&gt;  <tr> <td>U-27</td> <td>"</td> <td>"</td> <td>V-675</td> <td>122</td> <td>1/2</td> <td>2900</td> <td>1\"/&gt;  <tr> <td>U-28</td> <td>"</td> <td>"</td> <td>V-675</td> <td>122</td> <td>1/2</td> <td>2900</td> <td>1\"/&gt;  <tr> <td>U-29</td> <td>"</td> <td>"</td> <td>V-675</td> <td>122</td> <td>1/2</td> <td>2900</td> <td>1\"/&gt;  <tr> <td>U-30</td> <td>"</td> <td>"</td> <td>V-675</td> <td>122</td> <td>1/2</td> <td>2900</td> <td>1\"/&gt;  <tr> <td>U-31</td> <td>"</td> <td>"</td> <td>V-675</td> <td>122</td> <td>1/2</td> <td>2900</td> <td>1\"/&gt;  <tr> <td>U-32</td> <td>"</td> <td>"</td> <td>V-675</td> <td>122</td> <td>1/2</td> <td>2900</td> <td>1\"/&gt;  <tr> <td>U-33</td> <td>"</td> <td>"</td> <td>V-675</td> <td>122</td> <td>1/2</td> <td>2900</td> <td>1\"/&gt;  <tr> <td>U-34</td> <td>"</td> <td>"</td> <td>V-675</td> <td>122</td> <td>1/2</td> <td>2900</td> <td>1\"/&gt;  <tr> <td>U-35</td> <td>"</td> <td>"</td> <td>V-675</td> <td>122</td> <td>1/2</td> <td>2900</td> <td>1\"/&gt;  <tr> <td>U-36</td> <td>"</td> <td>"</td> <td>V-675</td> <td>122</td> <td>1/2</td> <td>2900</td> <td>1\"/&gt;  <tr> <td>U-37</td> <td>"</td> <td>"</td> <td>V-675</td> <td>122</td> <td>1/2</td> <td>2900</td> <td>1\"/&gt;  <tr> <td>U-38</td> <td>"</td> <td>"</td> <td>V-675</td> <td>122</td> <td>1/2</td> <td>2900</td> <td>1\"/&gt;  <tr> <td>U-39</td> <td>"</td> <td>"</td> <td>V-675</td> <td>122</td> <td>1/2</td> <td>2900</td> <td>1\"/&gt;  <tr> <td>U-40</td> <td>"</td> <td>"</td> <td>V-675</td> <td>122</td> <td>1/2</td> <td>2900</td> <td>1\"/&gt;  <tr> <td>U-41</td> <td>"</td> <td>"</td> <td>V-675</td> <td>122</td> <td>1/2</td> <td>2900</td> <td>1\"/&gt;  <tr> <td>U-42</td> <td>"</td> <td>"</td> <td>V-675</td> <td>122</td> <td>1/2</td> <td>2900</td> <td>1\"/&gt;  <tr> <td>U-43</td> <td>"</td> <td>"</td> <td>V-675</td> <td>122</td> <td>1/2</td> <td>2900</td> <td>1\"/&gt;  <tr> <td>U-44</td> <td>"</td> <td>"</td> <td>V-675</td> <td>122</td> <td>1/2</td> <td>2900</td> <td>1\"/&gt;  <tr> <td>U-45</td> <td>"</td> <td>"</td> <td>V-675</td> <td>122</td> <td>1/2</td> <td>2900</td> <td>1\"/&gt;  <tr> <td>U-46</td> <td>"</td> <td>"</td> <td>V-675</td> <td>122</td> <td>1/2</td> <td>2900</td> <td>1\"/&gt;  <tr> <td>U-47</td> <td>"</td> <td>"</td> <td>V-675</td> <td>122</td> <td>1/2</td> <td>2900</td> <td>1\"/&gt;  <tr> <td>U-48</td> <td>"</td> <td>"</td> <td>V-675</td> <td>122</td> <td>1/2</td> <td>2900</td> <td>1\"/&gt;  <tr> <td>U-49</td> <td>"</td> <td>"</td> <td>V-675</td> <td>122</td> <td>1/2</td> <td>2900</td> <td>1\"/&gt;  <tr> <td>U-50</td> <td>"</td> <td>"</td> <td>V-675</td> <td>122</td> <td>1/2</td> <td>2900</td> <td>1\"/&gt;  </td></tr></td></tr></td></tr></td></tr></td></tr></td></tr></td></tr></td></tr></td></tr></td></tr></td></tr></td></tr></td></tr></td></tr></td></tr></td></tr></td></tr></td></tr></td></tr></td></tr></td></tr></td></tr></td></tr></td></tr></td></tr></td></tr></td></tr></td></tr></td></tr></td></tr></td></tr></td></tr></td></tr>   | U-18 | " | " | V-675 | 122 | 1/2 | 2900    | 1\"/> <tr> <td>U-19</td> <td>"</td> <td>"</td> <td>V-675</td> <td>122</td> <td>1/2</td> <td>2900</td> <td>1\"/&gt;  <tr> <td>U-20</td> <td>"</td> <td>"</td> <td>V-675</td> <td>122</td> <td>1/2</td> <td>2900</td> <td>1\"/&gt;  <tr> <td>U-21</td> <td>"</td> <td>"</td> <td>V-675</td> <td>122</td> <td>1/2</td> <td>2900</td> <td>1\"/&gt;  <tr> <td>U-22</td> <td>"</td> <td>"</td> <td>V-675</td> <td>122</td> <td>1/2</td> <td>2900</td> <td>1\"/&gt;  <tr> <td>U-23</td> <td>"</td> <td>"</td> <td>V-675</td> <td>122</td> <td>1/2</td> <td>2900</td> <td>1\"/&gt;  <tr> <td>U-24</td> <td>"</td> <td>"</td> <td>V-675</td> <td>122</td> <td>1/2</td> <td>2900</td> <td>1\"/&gt;  <tr> <td>U-25</td> <td>"</td> <td>"</td> <td>V-675</td> <td>122</td> <td>1/2</td> <td>2900</td> <td>1\"/&gt;  <tr> <td>U-26</td> <td>"</td> <td>"</td> <td>V-675</td> <td>122</td> <td>1/2</td> <td>2900</td> <td>1\"/&gt;  <tr> <td>U-27</td> <td>"</td> <td>"</td> <td>V-675</td> <td>122</td> <td>1/2</td> <td>2900</td> <td>1\"/&gt;  <tr> <td>U-28</td> <td>"</td> <td>"</td> <td>V-675</td> <td>122</td> <td>1/2</td> <td>2900</td> <td>1\"/&gt;  <tr> <td>U-29</td> <td>"</td> <td>"</td> <td>V-675</td> <td>122</td> <td>1/2</td> <td>2900</td> <td>1\"/&gt;  <tr> <td>U-30</td> <td>"</td> <td>"</td> <td>V-675</td> <td>122</td> <td>1/2</td> <td>2900</td> <td>1\"/&gt;  <tr> <td>U-31</td> <td>"</td> <td>"</td> <td>V-675</td> <td>122</td> <td>1/2</td> <td>2900</td> <td>1\"/&gt;  <tr> <td>U-32</td> <td>"</td> <td>"</td> <td>V-675</td> <td>122</td> <td>1/2</td> <td>2900</td> <td>1\"/&gt;  <tr> <td>U-33</td> <td>"</td> <td>"</td> <td>V-675</td> <td>122</td> <td>1/2</td> <td>2900</td> <td>1\"/&gt;  <tr> <td>U-34</td> <td>"</td> <td>"</td> <td>V-675</td> <td>122</td> <td>1/2</td> <td>2900</td> <td>1\"/&gt;  <tr> <td>U-35</td> <td>"</td> <td>"</td>
<td>V-675</td> <td>122</td> <td>1/2</td> <td>2900</td> <td>1\"/&gt;  <tr> <td>U-36</td> <td>"</td> <td>"</td> <td>V-675</td> <td>122</td> <td>1/2</td> <td>2900</td> <td>1\"/&gt;  <tr> <td>U-37</td> <td>"</td> <td>"</td> <td>V-675</td> <td>122</td> <td>1/2</td> <td>2900</td> <td>1\"/&gt;  <tr> <td>U-38</td> <td>"</td> <td>"</td> <td>V-675</td> <td>122</td> <td>1/2</td> <td>2900</td> <td>1\"/&gt;  <tr> <td>U-39</td> <td>"</td> <td>"</td> <td>V-675</td> <td>122</td> <td>1/2</td> <td>2900</td> <td>1\"/&gt;  <tr> <td>U-40</td> <td>"</td> <td>"</td> <td>V-675</td> <td>122</td> <td>1/2</td> <td>2900</td> <td>1\"/&gt;  <tr> <td>U-41</td> <td>"</td> <td>"</td> <td>V-675</td> <td>122</td> <td>1/2</td> <td>2900</td> <td>1\"/&gt;  <tr> <td>U-42</td> <td>"</td> <td>"</td> <td>V-675</td> <td>122</td> <td>1/2</td> <td>2900</td> <td>1\"/&gt;  <tr> <td>U-43</td> <td>"</td> <td>"</td> <td>V-675</td> <td>122</td> <td>1/2</td> <td>2900</td> <td>1\"/&gt;  <tr> <td>U-44</td> <td>"</td> <td>"</td> <td>V-675</td> <td>122</td> <td>1/2</td> <td>2900</td> <td>1\"/&gt;  <tr> <td>U-45</td> <td>"</td> <td>"</td> <td>V-675</td> <td>122</td> <td>1/2</td> <td>2900</td> <td>1\"/&gt;  <tr> <td>U-46</td> <td>"</td> <td>"</td> <td>V-675</td> <td>122</td> <td>1/2</td> <td>2900</td> <td>1\"/&gt;  <tr> <td>U-47</td> <td>"</td> <td>"</td> <td>V-675</td> <td>122</td> <td>1/2</td> <td>2900</td> <td>1\"/&gt;  <tr> <td>U-48</td> <td>"</td> <td>"</td> <td>V-675</td> <td>122</td> <td>1/2</td> <td>2900</td> <td>1\"/&gt;  <tr> <td>U-49</td> <td>"</td> <td>"</td> <td>V-675</td> <td>122</td> <td>1/2</td> <td>2900</td> <td>1\"/&gt;  <tr> <td>U-50</td> <td>"</td> <td>"</td> <td>V-675</td> <td>122</td> <td>1/2</td> <td>2900</td> <td>1\"/&gt;  </td></tr></td></tr></td></tr></td></tr></td></tr></td></tr></td></tr></td></tr></td></tr></td></tr></td></tr></td></tr></td></tr></td></tr></td></tr></td></tr></td></tr></td></tr></td></tr></td></tr></td></tr></td></tr></td></tr></td></tr></td></tr></td></tr></td></tr></td></tr></td></tr></td></tr></td></tr></td></tr>  | U-19 | " | " | V-675 | 122 | 1/2 | 2900   | 1\"/> <tr> <td>U-20</td> <td>"</td> <td>"</td> <td>V-675</td> <td>122</td> <td>1/2</td> <td>2900</td> <td>1\"/&gt;  <tr> <td>U-21</td> <td>"</td> <td>"</td> <td>V-675</td> <td>122</td> <td>1/2</td> <td>2900</td> <td>1\"/&gt;  <tr> <td>U-22</td> <td>"</td> <td>"</td> <td>V-675</td> <td>122</td> <td>1/2</td> <td>2900</td> <td>1\"/&gt;  <tr> <td>U-23</td> <td>"</td> <td>"</td> <td>V-675</td> <td>122</td> <td>1/2</td> <td>2900</td> <td>1\"/&gt;  <tr> <td>U-24</td> <td>"</td> <td>"</td> <td>V-675</td> <td>122</td> <td>1/2</td> <td>2900</td> <td>1\"/&gt;  <tr> <td>U-25</td> <td>"</td> <td>"</td> <td>V-675</td> <td>122</td> <td>1/2</td> <td>2900</td> <td>1\"/&gt;  <tr> <td>U-26</td> <td>"</td> <td>"</td> <td>V-675</td> <td>122</td> <td>1/2</td> <td>2900</td> <td>1\"/&gt;  <tr> <td>U-27</td> <td>"</td> <td>"</td> <td>V-675</td> <td>122</td> <td>1/2</td> <td>2900</td> <td>1\"/&gt;  <tr> <td>U-28</td> <td>"</td> <td>"</td> <td>V-675</td> <td>122</td> <td>1/2</td> <td>2900</td> <td>1\"/&gt;  <tr> <td>U-29</td> <td>"</td> <td>"</td> <td>V-675</td> <td>122</td> <td>1/2</td> <td>2900</td> <td>1\"/&gt;  <tr> <td>U-30</td> <td>"</td> <td>"</td> <td>V-675</td> <td>122</td> <td>1/2</td> <td>2900</td> <td>1\"/&gt;  <tr> <td>U-31</td> <td>"</td> <td>"</td> <td>V-675</td> <td>122</td> <td>1/2</td> <td>2900</td> <td>1\"/&gt;  <tr> <td>U-32</td> <td>"</td> <td>"</td> <td>V-675</td> <td>122</td> <td>1/2</td> <td>2900</td> <td>1\"/&gt;  <tr> <td>U-33</td> <td>"</td> <td>"</td> <td>V-675</td> <td>122</td> <td>1/2</td> <td>2900</td> <td>1\"/&gt;  <tr> <td>U-34</td> <td>"</td> <td>"</td> <td>V-675</td> <td>122</td> <td>1/2</td> <td>2900</td> <td>1\"/&gt;  <tr> <td>U-35</td> <td>"</td> <td>"</td> <td>V-675</td> <td>122</td> <td>1/2</td> <td>2900</td> <td>1\"/&gt;  <tr> <td>U-36</td> <td>"</td> <td>"</td> <td>V-675</td> <td>122</td> <td>1/2</td> <td>2900</td> <td>1\"/&gt;  <tr> <td>U-37</td> <td>"</td> <td>"</td> <td>V-675</td> <td>122</td> <td>1/2</td> <td>2900</td> <td>1\"/&gt;  <tr> <td>U-38</td> <td>"</td> <td>"</td> <td>V-675</td> <td>122</td> <td>1/2</td> <td>2900</td> <td>1\"/&gt;  <tr> <td>U-39</td> <td>"</td> <td>"</td> <td>V-675</td> <td>122</td> <td>1/2</td> <td>2900</td> <td>1\"/&gt;  <tr> <td>U-40</td> <td>"</td> <td>"</td> <td>V-675</td> <td>122</td> <td>1/2</td> <td>2900</td> <td>1\"/&gt;  <tr> <td>U-41</td> <td>"</td> <td>"</td> <td>V-675</td> <td>122</td> <td>1/2</td> <td>2900</td> <td>1\"/&gt;  <tr> <td>U-42</td> <td>"</td> <td>"</td> <td>V-675</td> <td>122</td> <td>1/2</td> <td>2900</td> <td>1\"/&gt;  <tr> <td>U-43</td> <td>"</td> <td>"</td> <td>V-675</td> <td>122</td> <td>1/2</td> <td>2900</td> <td>1\"/&gt;  <tr> <td>U-44</td> <td>"</td> <td>"</td> <td>V-675</td> <td>122</td> <td>1/2</td> <td>2900</td> <td>1\"/&gt;  <tr> <td>U-45</td> <td>"</td> <td>"</td> <td>V-675</td> <td>122</td> <td>1/2</td> <td>2900</td> <td>1\"/&gt;  <tr> <td>U-46</td> <td>"</td> <td>"</td> <td>V-675</td> <td>122</td> <td>1/2</td> <td>2900</td> <td>1\"/&gt;  <tr> <td>U-47</td> <td>"</td> <td>"</td> <td>V-675</td> <td>122</td> <td>1/2</td> <td>2900</td> <td>1\"/&gt;  <tr> <td>U-48</td> <td>"</td> <td>"</td> <td>V-675</td> <td>122</td> <td>1/2</td> <td>2900</td> <td>1\"/&gt;  <tr> <td>U-49</td> <td>"</td> <td>"</td> <td>V-675</td> <td>122</td> <td>1/2</td> <td>2900</td> <td>1\"/&gt;  <tr> <td>U-50</td> <td>"</td> <td>"</td> <td>V-675</td> <td>122</td> <td>1/2</td> <td>2900</td> <td>1\"/&gt;  </td></tr></td></tr></td></tr></td></tr></td></tr></td></tr></td></tr></td></tr></td></tr></td></tr></td></tr></td></tr></td></tr></td></tr></td></tr></td></tr></td></tr></td></tr></td></tr></td></tr></td></tr></td></tr></td></tr></td></tr></td></tr></td></tr></td></tr></td></tr></td></tr></td></tr></td></tr>   | U-20 | " | " | V-675 | 122 | 1/2 | 2900    | 1\"/> <tr> <td>U-21</td> <td>"</td> <td>"</td> <td>V-675</td> <td>122</td> <td>1/2</td> <td>2900</td> <td>1\"/&gt;  <tr> <td>U-22</td> <td>"</td> <td>"</td> <td>V-675</td> <td>122</td> <td>1/2</td> <td>2900</td> <td>1\"/&gt;  <tr> <td>U-23</td> <td>"</td> <td>"</td> <td>V-675</td> <td>122</td> <td>1/2</td> <td>2900</td> <td>1\"/&gt;  <tr> <td>U-24</td> <td>"</td> <td>"</td> <td>V-675</td> <td>122</td> <td>1/2</td> <td>2900</td> <td>1\"/&gt;  <tr> <td>U-25</td> <td>"</td> <td>"</td> <td>V-675</td> <td>122</td> <td>1/2</td> <td>2900</td> <td>1\"/&gt;  <tr> <td>U-26</td> <td>"</td> <td>"</td> <td>V-675</td> <td>122</td> <td>1/2</td> <td>2900</td> <td>1\"/&gt;  <tr> <td>U-27</td> <td>"</td> <td>"</td> <td>V-675</td> <td>122</td> <td>1/2</td> <td>2900</td> <td>1\"/&gt;  <tr>
<td>U-28</td> <td>"</td> <td>"</td> <td>V-675</td> <td>122</td> <td>1/2</td> <td>2900</td> <td>1\"/&gt;  <tr> <td>U-29</td> <td>"</td> <td>"</td> <td>V-675</td> <td>122</td> <td>1/2</td> <td>2900</td> <td>1\"/&gt;  <tr> <td>U-30</td> <td>"</td> <td>"</td> <td>V-675</td> <td>122</td> <td>1/2</td> <td>2900</td> <td>1\"/&gt;  <tr> <td>U-31</td> <td>"</td> <td>"</td> <td>V-675</td> <td>122</td> <td>1/2</td> <td>2900</td> <td>1\"/&gt;  <tr> <td>U-32</td> <td>"</td> <td>"</td> <td>V-675</td> <td>122</td> <td>1/2</td> <td>2900</td> <td>1\"/&gt;  <tr> <td>U-33</td> <td>"</td> <td>"</td> <td>V-675</td> <td>122</td> <td>1/2</td> <td>2900</td> <td>1\"/&gt;  <tr> <td>U-34</td> <td>"</td> <td>"</td> <td>V-675</td> <td>122</td> <td>1/2</td> <td>2900</td> <td>1\"/&gt;  <tr> <td>U-35</td> <td>"</td> <td>"</td> <td>V-675</td> <td>122</td> <td>1/2</td> <td>2900</td> <td>1\"/&gt;  <tr> <td>U-36</td> <td>"</td> <td>"</td> <td>V-675</td> <td>122</td> <td>1/2</td> <td>2900</td> <td>1\"/&gt;  <tr> <td>U-37</td> <td>"</td> <td>"</td> <td>V-675</td> <td>122</td> <td>1/2</td> <td>2900</td> <td>1\"/&gt;  <tr> <td>U-38</td> <td>"</td> <td>"</td> <td>V-675</td> <td>122</td> <td>1/2</td> <td>2900</td> <td>1\"/&gt;  <tr> <td>U-39</td> <td>"</td> <td>"</td> <td>V-675</td> <td>122</td> <td>1/2</td> <td>2900</td> <td>1\"/&gt;  <tr> <td>U-40</td> <td>"</td> <td>"</td> <td>V-675</td> <td>122</td> <td>1/2</td> <td>2900</td> <td>1\"/&gt;  <tr> <td>U-41</td> <td>"</td> <td>"</td> <td>V-675</td> <td>122</td> <td>1/2</td> <td>2900</td> <td>1\"/&gt;  <tr> <td>U-42</td> <td>"</td> <td>"</td> <td>V-675</td> <td>122</td> <td>1/2</td> <td>2900</td> <td>1\"/&gt;  <tr> <td>U-43</td> <td>"</td> <td>"</td> <td>V-675</td> <td>122</td> <td>1/2</td> <td>2900</td> <td>1\"/&gt;  <tr> <td>U-44</td> <td>"</td> <td>"</td> <td>V-675</td> <td>122</td> <td>1/2</td> <td>2900</td> <td>1\"/&gt;  <tr> <td>U-45</td> <td>"</td> <td>"</td> <td>V-675</td> <td>122</td> <td>1/2</td> <td>2900</td> <td>1\"/&gt;  <tr> <td>U-46</td> <td>"</td> <td>"</td> <td>V-675</td> <td>122</td> <td>1/2</td> <td>2900</td> <td>1\"/&gt;  <tr> <td>U-47</td> <td>"</td> <td>"</td> <td>V-675</td> <td>122</td> <td>1/2</td> <td>2900</td> <td>1\"/&gt;  <tr> <td>U-48</td> <td>"</td> <td>"</td> <td>V-675</td> <td>122</td> <td>1/2</td> <td>2900</td> <td>1\"/&gt;  <tr> <td>U-49</td> <td>"</td> <td>"</td> <td>V-675</td> <td>122</td> <td>1/2</td> <td>2900</td> <td>1\"/&gt;  <tr> <td>U-50</td> <td>"</td> <td>"</td> <td>V-675</td> <td>122</td> <td>1/2</td> <td>2900</td> <td>1\"/&gt;  </td></tr></td></tr></td></tr></td></tr></td></tr></td></tr></td></tr></td></tr></td></tr></td></tr></td></tr></td></tr></td></tr></td></tr></td></tr></td></tr></td></tr></td></tr></td></tr></td></tr></td></tr></td></tr></td></tr></td></tr></td></tr></td></tr></td></tr></td></tr></td></tr></td></tr>  | U-21 | "           | "      | V-675  | 122  | 1/2 | 2900 | 1\"/> <tr> <td>U-22</td> <td>"</td> <td>"</td> <td>V-675</td> <td>122</td> <td>1/2</td> <td>2900</td> <td>1\"/&gt;  <tr> <td>U-23</td> <td>"</td> <td>"</td> <td>V-675</td> <td>122</td> <td>1/2</td> <td>2900</td> <td>1\"/&gt;  <tr> <td>U-24</td> <td>"</td> <td>"</td> <td>V-675</td> <td>122</td> <td>1/2</td> <td>2900</td> <td>1\"/&gt;  <tr> <td>U-25</td> <td>"</td> <td>"</td> <td>V-675</td> <td>122</td> <td>1/2</td> <td>2900</td> <td>1\"/&gt;  <tr> <td>U-26</td> <td>"</td> <td>"</td> <td>V-675</td> <td>122</td> <td>1/2</td> <td>2900</td> <td>1\"/&gt;  <tr> <td>U-27</td> <td>"</td> <td>"</td> <td>V-675</td> <td>122</td> <td>1/2</td> <td>2900</td> <td>1\"/&gt;  <tr> <td>U-28</td> <td>"</td> <td>"</td> <td>V-675</td> <td>122</td> <td>1/2</td> <td>2900</td> <td>1\"/&gt;  <tr> <td>U-29</td> <td>"</td> <td>"</td> <td>V-675</td> <td>122</td> <td>1/2</td> <td>2900</td> <td>1\"/&gt;  <tr> <td>U-30</td> <td>"</td> <td>"</td> <td>V-675</td> <td>122</td> <td>1/2</td> <td>2900</td> <td>1\"/&gt;  <tr> <td>U-31</td> <td>"</td> <td>"</td> <td>V-675</td> <td>122</td> <td>1/2</td> <td>2900</td> <td>1\"/&gt;  <tr> <td>U-32</td> <td>"</td> <td>"</td> <td>V-675</td> <td>122</td> <td>1/2</td> <td>2900</td> <td>1\"/&gt;  <tr> <td>U-33</td> <td>"</td> <td>"</td> <td>V-675</td> <td>122</td> <td>1/2</td> <td>2900</td> <td>1\"/&gt;  <tr> <td>U-34</td> <td>"</td> <td>"</td> <td>V-675</td> <td>122</td> <td>1/2</td> <td>2900</td> <td>1\"/&gt;  <tr> <td>U-35</td> <td>"</td> <td>"</td> <td>V-675</td> <td>122</td> <td>1/2</td> <td>2900</td> <td>1\"/&gt;  <tr> <td>U-36</td> <td>"</td> <td>"</td> <td>V-675</td> <td>122</td> <td>1/2</td> <td>2900</td> <td>1\"/&gt;  <tr> <td>U-37</td> <td>"</td> <td>"</td> <td>V-675</td> <td>122</td> <td>1/2</td> <td>2900</td> <td>1\"/&gt;  <tr> <td>U-38</td> <td>"</td> <td>"</td> <td>V-675</td> <td>122</td> <td>1/2</td> <td>2900</td> <td>1\"/&gt;  <tr> <td>U-39</td> <td>"</td> <td>"</td> <td>V-675</td> <td>122</td> <td>1/2</td> <td>2900</td> <td>1\"/&gt;  <tr> <td>U-40</td> <td>"</td> <td>"</td> <td>V-675</td> <td>122</td> <td>1/2</td> <td>2900</td> <td>1\"/&gt;  <tr> <td>U-41</td> <td>"</td> <td>"</td> <td>V-675</td> <td>122</td> <td>1/2</td> <td>2900</td> <td>1\"/&gt;  <tr> <td>U-42</td> <td>"</td> <td>"</td> <td>V-675</td> <td>122</td> <td>1/2</td> <td>2900</td> <td>1\"/&gt;  <tr> <td>U-43</td> <td>"</td> <td>"</td> <td>V-675</td> <td>122</td> <td>1/2</td> <td>2900</td> <td>1\"/&gt;  <tr> <td>U-44</td> <td>"</td> <td>"</td> <td>V-675</td> <td>122</td> <td>1/2</td> <td>2900</td> <td>1\"/&gt;  <tr> <td>U-45</td> <td>"</td> <td>"</td> <td>V-675</td> <td>122</td> <td>1/2</td> <td>2900</td> <td>1\"/&gt;  <tr> <td>U-46</td> <td>"</td> <td>"</td> <td>V-675</td> <td>122</td> <td>1/2</td> <td>2900</td> <td>1\"/&gt;  <tr> <td>U-47</td> <td>"</td> <td>"</td> <td>V-675</td> <td>122</td> <td>1/2</td> <td>2900</td> <td>1\"/&gt;  <tr> <td>U-48</td> <td>"</td> <td>"</td> <td>V-675</td> <td>122</td> <td>1/2</td> <td>2900</td> <td>1\"/&gt;  <tr> <td>U-49</td> <td>"</td> <td>"</td> <td>V-675</td> <td>122</td> <td>1/2</td> <td>2900</td> <td>1\"/&gt;  <tr> <td>U-50</td> <td>"</td> <td>"</td> <td>V-675</td> <td>122</td> <td>1/2</td> <td>2900</td> <td>1\"/&gt;  </td></tr></td></tr></td></tr></td></tr></td></tr></td></tr></td></tr></td></tr></td></tr></td></tr></td></tr></td></tr></td></tr></td></tr></td></tr></td></tr></td></tr></td></tr></td></tr></td></tr></td></tr></td></tr></td></tr></td></tr></td></tr></td></tr></td></tr></td></tr></td></tr>   
  | U-22 | " | " | V-675  | 122  | 1/2 | 2900 | 1\"/> <tr> <td>U-23</td> <td>"</td> <td>"</td> <td>V-675</td> <td>122</td> <td>1/2</td> <td>2900</td> <td>1\"/&gt;  <tr> <td>U-24</td> <td>"</td> <td>"</td> <td>V-675</td> <td>122</td> <td>1/2</td> <td>2900</td> <td>1\"/&gt;  <tr> <td>U-25</td> <td>"</td> <td>"</td> <td>V-675</td> <td>122</td> <td>1/2</td> <td>2900</td> <td>1\"/&gt;  <tr> <td>U-26</td> <td>"</td> <td>"</td> <td>V-675</td> <td>122</td> <td>1/2</td> <td>2900</td> <td>1\"/&gt;  <tr> <td>U-27</td> <td>"</td> <td>"</td> <td>V-675</td> <td>122</td> <td>1/2</td> <td>2900</td> <td>1\"/&gt;  <tr> <td>U-28</td> <td>"</td> <td>"</td> <td>V-675</td> <td>122</td> <td>1/2</td> <td>2900</td> <td>1\"/&gt;  <tr> <td>U-29</td> <td>"</td> <td>"</td> <td>V-675</td> <td>122</td> <td>1/2</td> <td>2900</td> <td>1\"/&gt;  <tr> <td>U-30</td> <td>"</td> <td>"</td> <td>V-675</td> <td>122</td> <td>1/2</td> <td>2900</td> <td>1\"/&gt;  <tr> <td>U-31</td> <td>"</td> <td>"</td> <td>V-675</td> <td>122</td> <td>1/2</td> <td>2900</td> <td>1\"/&gt;  <tr> <td>U-32</td> <td>"</td> <td>"</td> <td>V-675</td> <td>122</td> <td>1/2</td> <td>2900</td> <td>1\"/&gt;  <tr> <td>U-33</td> <td>"</td> <td>"</td> <td>V-675</td> <td>122</td> <td>1/2</td> <td>2900</td> <td>1\"/&gt;  <tr> <td>U-34</td> <td>"</td> <td>"</td> <td>V-675</td> <td>122</td> <td>1/2</td> <td>2900</td> <td>1\"/&gt;  <tr> <td>U-35</td> <td>"</td> <td>"</td> <td>V-675</td> <td>122</td> <td>1/2</td> <td>2900</td> <td>1\"/&gt;  <tr> <td>U-36</td> <td>"</td> <td>"</td> <td>V-675</td> <td>122</td> <td>1/2</td> <td>2900</td> <td>1\"/&gt;  <tr> <td>U-37</td> <td>"</td> <td>"</td> <td>V-675</td> <td>122</td> <td>1/2</td> <td>2900</td> <td>1\"/&gt;  <tr> <td>U-38</td> <td>"</td> <td>"</td> <td>V-675</td> <td>122</td> <td>1/2</td> <td>2900</td> <td>1\"/&gt;  <tr> <td>U-39</td> <td>"</td> <td>"</td> <td>V-675</td> <td>122</td> <td>1/2</td> <td>2900</td> <td>1\"/&gt;  <tr> <td>U-40</td> <td>"</td> <td>"</td> <td>V-675</td> <td>122</td> <td>1/2</td> <td>2900</td> <td>1\"/&gt;  <tr> <td>U-41</td> <td>"</td> <td>"</td> <td>V-675</td> <td>122</td> <td>1/2</td> <td>2900</td> <td>1\"/&gt;  <tr> <td>U-42</td> <td>"</td> <td>"</td> <td>V-675</td> <td>122</td> <td>1/2</td> <td>2900</td> <td>1\"/&gt;  <tr> <td>U-43</td> <td>"</td> <td>"</td> <td>V-675</td> <td>122</td> <td>1/2</td> <td>2900</td> <td>1\"/&gt;  <tr> <td>U-44</td> <td>"</td> <td>"</td> <td>V-675</td> <td>122</td> <td>1/2</td> <td>2900</td> <td>1\"/&gt;  <tr> <td>U-45</td> <td>"</td> <td>"</td> <td>V-675</td> <td>122</td> <td>1/2</td> <td>2900</td> <td>1\"/&gt;  <tr> <td>U-46</td> <td>"</td> <td>"</td> <td>V-675</td> <td>122</td> <td>1/2</td> <td>2900</td> <td>1\"/&gt;  <tr> <td>U-47</td> <td>"</td> <td>"</td> <td>V-675</td> <td>122</td> <td>1/2</td> <td>2900</td> <td>1\"/&gt;  <tr> <td>U-48</td> <td>"</td> <td>"</td> <td>V-675</td> <td>122</td> <td>1/2</td> <td>2900</td> <td>1\"/&gt;  <tr> <td>U-49</td> <td>"</td> <td>"</td> <td>V-675</td> <td>122</td> <td>1/2</td> <td>2900</td> <td>1\"/&gt;  <tr> <td>U-50</td> <td>"</td> <td>"</td> <td>V-675</td> <td>122</td> <td>1/2</td> <td>2900</td> <td>1\"/&gt;  </td></tr></td></tr></td></tr></td></tr></td></tr></td></tr></td></tr></td></tr></td></tr></td></tr></td></tr></td></tr></td></tr></td></tr></td></tr></td></tr></td></tr></td></tr></td></tr></td></tr></td></tr></td></tr></td></tr></td></tr></td></tr></td></tr></td></tr></td></tr>   | U-23 | " | " | V-675  | 122 | 1/2 | 2900 | 1\"/> <tr> <td>U-24</td> <td>"</td> <td>"</td> <td>V-675</td> <td>122</td> <td>1/2</td> <td>2900</td> <td>1\"/&gt;  <tr> <td>U-25</td> <td>"</td> <td>"</td> <td>V-675</td> <td>122</td> <td>1/2</td> <td>2900</td> <td>1\"/&gt;  <tr> <td>U-26</td> <td>"</td> <td>"</td> <td>V-675</td> <td>122</td> <td>1/2</td> <td>2900</td> <td>1\"/&gt;  <tr> <td>U-27</td> <td>"</td> <td>"</td> <td>V-675</td> <td>122</td> <td>1/2</td> <td>2900</td> <td>1\"/&gt;  <tr> <td>U-28</td> <td>"</td> <td>"</td> <td>V-675</td> <td>122</td> <td>1/2</td> <td>2900</td> <td>1\"/&gt;  <tr> <td>U-29</td> <td>"</td> <td>"</td> <td>V-675</td> <td>122</td> <td>1/2</td> <td>2900</td> <td>1\"/&gt;  <tr> <td>U-30</td> <td>"</td> <td>"</td> <td>V-675</td> <td>122</td> <td>1/2</td> <td>2900</td> <td>1\"/&gt;  <tr> <td>U-31</td> <td>"</td> <td>"</td> <td>V-675</td> <td>122</td> <td>1/2</td> <td>2900</td> <td>1\"/&gt;  <tr> <td>U-32</td> <td>"</td> <td>"</td> <td>V-675</td> <td>122</td> <td>1/2</td> <td>2900</td> <td>1\"/&gt;  <tr> <td>U-33</td> <td>"</td> <td>"</td> <td>V-675</td> <td>122</td> <td>1/2</td> <td>2900</td> <td>1\"/&gt;  <tr> <td>U-34</td> <td>"</td> <td>"</td> <td>V-675</td> <td>122</td> <td>1/2</td> <td>2900</td> <td>1\"/&gt;  <tr> <td>U-35</td> <td>"</td> <td>"</td> <td>V-675</td> <td>122</td> <td>1/2</td> <td>2900</td> <td>1\"/&gt;  <tr> <td>U-36</td> <td>"</td> <td>"</td> <td>V-675</td> <td>122</td> <td>1/2</td> <td>2900</td> <td>1\"/&gt;  <tr> <td>U-37</td> <td>"</td> <td>"</td> <td>V-675</td> <td>122</td> <td>1/2</td> <td>2900</td> <td>1\"/&gt;  <tr> <td>U-38</td> <td>"</td> <td>"</td> <td>V-675</td> <td>122</td> <td>1/2</td> <td>2900</td> <td>1\"/&gt;  <tr> <td>U-39</td> <td>"</td> <td>"</td> <td>V-675</td> <td>122</td> <td>1/2</td> <td>2900</td> <td>1\"/&gt;  <tr> <td>U-40</td> <td>"</td> <td>"</td> <td>V-675</td> <td>122</td> <td>1/2</td> <td>2900</td> <td>1\"/&gt;  <tr> <td>U-41</td> <td>"</td> <td>"</td> <td>V-675</td> <td>122</td> <td>1/2</td> <td>2900</td> <td>1\"/&gt;  <tr> <td>U-42</td> <td>"</td> <td>"</td> <td>V-675</td> <td>122</td> <td>1/2</td> <td>2900</td> <td>1\"/&gt;  <tr> <td>U-43</td> <td>"</td> <td>"</td> <td>V-675</td> <td>122</td> <td>1/2</td> <td>2900</td> <td>1\"/&gt;  <tr> <td>U-44</td> <td>"</td> <td>"</td> <td>V-675</td> <td>122</td> <td>1/2</td> <td>2900</td> <td>1\"/&gt;  <tr> <td>U-45</td> <td>"</td> <td>"</td> <td>V-675</td> <td>122</td> <td>1/2</td> <td>2900</td> <td>1\"/&gt;  <tr> <td>U-46</td> <td>"</td> <td>"</td> <td>V-675</td> <td>122</td> <td>1/2</td> <td>2900</td> <td>1\"/&gt;  <tr> <td>U-47</td> <td>"</td> <td>"</td> <td>V-675</td> <td>122</td> <td>1/2</td> <td>2900</td> <td>1\"/&gt;  <tr> <td>U-48</td> <td>"</td> <td>"</td> <td>V-675</td> <td>122</td> <td>1/2</td> <td>2900</td> <td>1\"/&gt;  <tr> <td>U-49</td> <td>"</td> <td>"</td> <td>V-675</td> <td>122</td> <td>1/2</td> <td>2900</td> <td>1\"/&gt;  <tr> <td>U-50</td> <td>"</td> <td>"</td> <td>V-675</td> <td>122</td> <td>1/2</td> <td>2900</td> <td>1\"/&gt;  </td></tr></td></tr></td></tr></td></tr></td></tr></td></tr></td></tr></td></tr></td></tr></td></tr></td></tr></td></tr></td></tr></td></tr></td></tr></td></tr></td></tr></td></tr></td></tr></td></tr></td></tr></td></tr></td></tr></td></tr></td></tr></td></tr></td></tr>   
   | U-24 | " | " | V-675 | 122 | 1/2 | 2900 | 1\"/> <tr> <td>U-25</td> <td>"</td> <td>"</td> <td>V-675</td> <td>122</td> <td>1/2</td> <td>2900</td> <td>1\"/&gt;  <tr> <td>U-26</td> <td>"</td> <td>"</td> <td>V-675</td> <td>122</td> <td>1/2</td> <td>2900</td> <td>1\"/&gt;  <tr> <td>U-27</td> <td>"</td> <td>"</td> <td>V-675</td> <td>122</td> <td>1/2</td> <td>2900</td> <td>1\"/&gt;  <tr> <td>U-28</td> <td>"</td> <td>"</td> <td>V-675</td> <td>122</td> <td>1/2</td> <td>2900</td> <td>1\"/&gt;  <tr> <td>U-29</td> <td>"</td> <td>"</td> <td>V-675</td> <td>122</td> <td>1/2</td> <td>2900</td> <td>1\"/&gt;  <tr> <td>U-30</td> <td>"</td> <td>"</td> <td>V-675</td> <td>122</td> <td>1/2</td> <td>2900</td> <td>1\"/&gt;  <tr> <td>U-31</td> <td>"</td> <td>"</td> <td>V-675</td> <td>122</td> <td>1/2</td> <td>2900</td> <td>1\"/&gt;  <tr> <td>U-32</td> <td>"</td> <td>"</td> <td>V-675</td> <td>122</td> <td>1/2</td> <td>2900</td> <td>1\"/&gt;  <tr> <td>U-33</td> <td>"</td> <td>"</td> <td>V-675</td> <td>122</td> <td>1/2</td> <td>2900</td> <td>1\"/&gt;  <tr> <td>U-34</td> <td>"</td> <td>"</td> <td>V-675</td> <td>122</td> <td>1/2</td> <td>2900</td> <td>1\"/&gt;  <tr> <td>U-35</td> <td>"</td> <td>"</td> <td>V-675</td> <td>122</td> <td>1/2</td> <td>2900</td> <td>1\"/&gt;  <tr> <td>U-36</td> <td>"</td> <td>"</td> <td>V-675</td> <td>122</td> <td>1/2</td> <td>2900</td> <td>1\"/&gt;  <tr> <td>U-37</td> <td>"</td> <td>"</td> <td>V-675</td> <td>122</td> <td>1/2</td> <td>2900</td> <td>1\"/&gt;  <tr> <td>U-38</td> <td>"</td> <td>"</td> <td>V-675</td> <td>122</td> <td>1/2</td> <td>2900</td> <td>1\"/&gt;  <tr> <td>U-39</td> <td>"</td> <td>"</td> <td>V-675</td> <td>122</td> <td>1/2</td> <td>2900</td> <td>1\"/&gt;  <tr> <td>U-40</td> <td>"</td> <td>"</td> <td>V-675</td> <td>122</td> <td>1/2</td> <td>2900</td> <td>1\"/&gt;  <tr> <td>U-41</td> <td>"</td> <td>"</td> <td>V-675</td> <td>122</td> <td>1/2</td> <td>2900</td> <td>1\"/&gt;  <tr> <td>U-42</td> <td>"</td> <td>"</td> <td>V-675</td> <td>122</td> <td>1/2</td> <td>2900</td> <td>1\"/&gt;  <tr> <td>U-43</td> <td>"</td> <td>"</td> <td>V-675</td> <td>122</td> <td>1/2</td> <td>2900</td> <td>1\"/&gt;  <tr> <td>U-44</td> <td>"</td> <td>"</td> <td>V-675</td> <td>122</td> <td>1/2</td> <td>2900</td> <td>1\"/&gt;  <tr> <td>U-45</td> <td>"</td> <td>"</td> <td>V-675</td> <td>122</td> <td>1/2</td> <td>2900</td> <td>1\"/&gt;  <tr> <td>U-46</td> <td>"</td> <td>"</td> <td>V-675</td> <td>122</td> <td>1/2</td> <td>2900</td> <td>1\"/&gt;  <tr> <td>U-47</td> <td>"</td> <td>"</td> <td>V-675</td> <td>122</td> <td>1/2</td> <td>2900</td> <td>1\"/&gt;  <tr> <td>U-48</td> <td>"</td> <td>"</td> <td>V-675</td> <td>122</td> <td>1/2</td> <td>2900</td> <td>1\"/&gt;  <tr> <td>U-49</td> <td>"</td> <td>"</td> <td>V-675</td> <td>122</td> <td>1/2</td> <td>2900</td> <td>1\"/&gt;  <tr> <td>U-50</td> <td>"</td> <td>"</td> <td>V-675</td> <td>122</td> <td>1/2</td> <td>2900</td> <td>1\"/&gt;  </td></tr></td></tr></td></tr></td></tr></td></tr></td></tr></td></tr></td></tr></td></tr></td></tr></td></tr></td></tr></td></tr></td></tr></td></tr></td></tr></td></tr></td></tr></td></tr></td></tr></td></tr></td></tr></td></tr></td></tr></td></tr></td></tr>  | U-25 | " | " | V-675 | 122 | 1/2 | 2900 | 1\"/> <tr> <td>U-26</td> <td>"</td> <td>"</td> <td>V-675</td> <td>122</td> <td>1/2</td> <td>2900</td> <td>1\"/&gt;  <tr> <td>U-27</td> <td>"</td> <td>"</td> <td>V-675</td> <td>122</td> <td>1/2</td> <td>2900</td> <td>1\"/&gt;  <tr> <td>U-28</td> <td>"</td> <td>"</td> <td>V-675</td> <td>122</td> <td>1/2</td> <td>2900</td> <td>1\"/&gt;  <tr> <td>U-29</td> <td>"</td> <td>"</td> <td>V-675</td> <td>122</td> <td>1/2</td> <td>2900</td> <td>1\"/&gt;  <tr> <td>U-30</td> <td>"</td> <td>"</td> <td>V-675</td> <td>122</td> <td>1/2</td> <td>2900</td> <td>1\"/&gt;  <tr> <td>U-31</td> <td>"</td> <td>"</td> <td>V-675</td> <td>122</td> <td>1/2</td> <td>2900</td> <td>1\"/&gt;  <tr> <td>U-32</td> <td>"</td> <td>"</td> <td>V-675</td> <td>122</td> <td>1/2</td> <td>2900</td> <td>1\"/&gt;  <tr> <td>U-33</td> <td>"</td> <td>"</td> <td>V-675</td> <td>122</td> <td>1/2</td> <td>2900</td> <td>1\"/&gt;  <tr> <td>U-34</td> <td>"</td> <td>"</td> <td>V-675</td> <td>122</td> <td>1/2</td> <td>2900</td> <td>1\"/&gt;  <tr> <td>U-35</td> <td>"</td> <td>"</td> <td>V-675</td> <td>122</td> <td>1/2</td> <td>2900</td> <td>1\"/&gt;  <tr> <td>U-36</td> <td>"</td> <td>"</td> <td>V-675</td> <td>122</td> <td>1/2</td> <td>2900</td> <td>1\"/&gt;  <tr> <td>U-37</td> <td>"</td> <td>"</td> <td>V-675</td> <td>122</td> <td>1/2</td> <td>2900</td> <td>1\"/&gt;  <tr> <td>U-38</td> <td>"</td> <td>"</td> <td>V-675</td> <td>122</td> <td>1/2</td> <td>2900</td> <td>1\"/&gt;  <tr> <td>U-39</td> <td>"</td> <td>"</td> <td>V-675</td> <td>122</td> <td>1/2</td> <td>2900</td> <td>1\"/&gt;  <tr> <td>U-40</td> <td>"</td> <td>"</td> <td>V-675</td> <td>122</td> <td>1/2</td> <td>2900</td> <td>1\"/&gt;  <tr> <td>U-41</td> <td>"</td> <td>"</td> <td>V-675</td> <td>122</td> <td>1/2</td> <td>2900</td> <td>1\"/&gt;  <tr> <td>U-42</td> <td>"</td> <td>"</td> <td>V-675</td> <td>122</td> <td>1/2</td> <td>2900</td> <td>1\"/&gt;  <tr> <td>U-43</td> <td>"</td> <td>"</td> <td>V-675</td> <td>122</td> <td>1/2</td> <td>2900</td> <td>1\"/&gt;  <tr> <td>U-44</td> <td>"</td> <td>"</td> <td>V-675</td> <td>122</td> <td>1/2</td> <td>2900</td> <td>1\"/&gt;  <tr> <td>U-45</td> <td>"</td> <td>"</td> <td>V-675</td> <td>122</td> <td>1/2</td> <td>2900</td> <td>1\"/&gt;  <tr> <td>U-46</td> <td>"</td> <td>"</td> <td>V-675</td> <td>122</td> <td>1/2</td> <td>2900</td> <td>1\"/&gt;  <tr> <td>U-47</td> <td>"</td> <td>"</td> <td>V-675</td> <td>122</td> <td>1/2</td> <td>2900</td> <td>1\"/&gt;  <tr> <td>U-48</td>
<td>"</td> <td>"</td> <td>V-675</td> <td>122</td> <td>1/2</td> <td>2900</td> <td>1\"/&gt;  <tr> <td>U-49</td> <td>"</td> <td>"</td> <td>V-675</td> <td>122</td> <td>1/2</td> <td>2900</td> <td>1\"/&gt;  <tr> <td>U-50</td> <td>"</td> <td>"</td> <td>V-675</td> <td>122</td> <td>1/2</td> <td>2900</td> <td>1\"/&gt;  </td></tr></td></tr></td></tr></td></tr></td></tr></td></tr></td></tr></td></tr></td></tr></td></tr></td></tr></td></tr></td></tr></td></tr></td></tr></td></tr></td></tr></td></tr></td></tr></td></tr></td></tr></td></tr></td></tr></td></tr></td></tr>   | U-26 | " | " | V-675 | 122 | 1/2 | 2900 | 1\"/> <tr> <td>U-27</td> <td>"</td> <td>"</td> <td>V-675</td> <td>122</td> <td>1/2</td> <td>2900</td> <td>1\"/&gt;  <tr> <td>U-28</td> <td>"</td> <td>"</td> <td>V-675</td> <td>122</td> <td>1/2</td> <td>2900</td> <td>1\"/&gt;  <tr> <td>U-29</td> <td>"</td> <td>"</td> <td>V-675</td> <td>122</td> <td>1/2</td> <td>2900</td> <td>1\"/&gt;  <tr> <td>U-30</td> <td>"</td> <td>"</td> <td>V-675</td> <td>122</td> <td>1/2</td> <td>2900</td> <td>1\"/&gt;  <tr> <td>U-31</td> <td>"</td> <td>"</td> <td>V-675</td> <td>122</td> <td>1/2</td> <td>2900</td> <td>1\"/&gt;  <tr> <td>U-32</td> <td>"</td> <td>"</td> <td>V-675</td> <td>122</td> <td>1/2</td> <td>2900</td> <td>1\"/&gt;  <tr> <td>U-33</td> <td>"</td> <td>"</td> <td>V-675</td> <td>122</td> <td>1/2</td> <td>2900</td> <td>1\"/&gt;  <tr> <td>U-34</td> <td>"</td> <td>"</td> <td>V-675</td> <td>122</td> <td>1/2</td> <td>2900</td> <td>1\"/&gt;  <tr> <td>U-35</td> <td>"</td> <td>"</td> <td>V-675</td> <td>122</td> <td>1/2</td> <td>2900</td> <td>1\"/&gt;  <tr> <td>U-36</td> <td>"</td> <td>"</td> <td>V-675</td> <td>122</td> <td>1/2</td> <td>2900</td> <td>1\"/&gt;  <tr> <td>U-37</td> <td>"</td> <td>"</td> <td>V-675</td> <td>122</td> <td>1/2</td> <td>2900</td> <td>1\"/&gt;  <tr> <td>U-38</td> <td>"</td> <td>"</td> <td>V-675</td> <td>122</td> <td>1/2</td> <td>2900</td> <td>1\"/&gt;  <tr> <td>U-39</td> <td>"</td> <td>"</td> <td>V-675</td> <td>122</td> <td>1/2</td> <td>2900</td> <td>1\"/&gt;  <tr> <td>U-40</td> <td>"</td> <td>"</td> <td>V-675</td> <td>122</td> <td>1/2</td> <td>2900</td> <td>1\"/&gt;  <tr> <td>U-41</td> <td>"</td> <td>"</td> <td>V-675</td> <td>122</td> <td>1/2</td> <td>2900</td> <td>1\"/&gt;  <tr> <td>U-42</td> <td>"</td> <td>"</td> <td>V-675</td> <td>122</td> <td>1/2</td> <td>2900</td> <td>1\"/&gt;  <tr> <td>U-43</td> <td>"</td> <td>"</td> <td>V-675</td> <td>122</td> <td>1/2</td> <td>2900</td> <td>1\"/&gt;  <tr> <td>U-44</td> <td>"</td> <td>"</td> <td>V-675</td> <td>122</td> <td>1/2</td> <td>2900</td> <td>1\"/&gt;  <tr> <td>U-45</td> <td>"</td> <td>"</td> <td>V-675</td> <td>122</td> <td>1/2</td> <td>2900</td> <td>1\"/&gt;  <tr> <td>U-46</td> <td>"</td> <td>"</td> <td>V-675</td> <td>122</td> <td>1/2</td> <td>2900</td> <td>1\"/&gt;  <tr> <td>U-47</td> <td>"</td> <td>"</td> <td>V-675</td> <td>122</td> <td>1/2</td> <td>2900</td> <td>1\"/&gt;  <tr> <td>U-48</td> <td>"</td> <td>"</td> <td>V-675</td> <td>122</td> <td>1/2</td> <td>2900</td> <td>1\"/&gt;  <tr> <td>U-49</td> <td>"</td> <td>"</td> <td>V-675</td> <td>122</td> <td>1/2</td> <td>2900</td> <td>1\"/&gt;  <tr> <td>U-50</td> <td>"</td> <td>"</td> <td>V-675</td> <td>122</td> <td>1/2</td> <td>2900</td> <td>1\"/&gt;  </td></tr></td></tr></td></tr></td></tr></td></tr></td></tr></td></tr></td></tr></td></tr></td></tr></td></tr></td></tr></td></tr></td></tr></td></tr></td></tr></td></tr></td></tr></td></tr></td></tr></td></tr></td></tr></td></tr></td></tr>  | U-27 | " | " | V-675 | 122 | 1/2 | 2900 | 1\"/> <tr> <td>U-28</td> <td>"</td> <td>"</td> <td>V-675</td> <td>122</td> <td>1/2</td> <td>2900</td> <td>1\"/&gt;  <tr> <td>U-29</td> <td>"</td> <td>"</td> <td>V-675</td> <td>122</td> <td>1/2</td> <td>2900</td> <td>1\"/&gt;  <tr> <td>U-30</td> <td>"</td> <td>"</td> <td>V-675</td> <td>122</td> <td>1/2</td> <td>2900</td> <td>1\"/&gt;  <tr> <td>U-31</td> <td>"</td> <td>"</td> <td>V-675</td> <td>122</td> <td>1/2</td> <td>2900</td> <td>1\"/&gt;  <tr> <td>U-32</td> <td>"</td> <td>"</td> <td>V-675</td> <td>122</td> <td>1/2</td> <td>2900</td> <td>1\"/&gt;  <tr> <td>U-33</td> <td>"</td> <td>"</td> <td>V-675</td> <td>122</td> <td>1/2</td> <td>2900</td> <td>1\"/&gt;  <tr> <td>U-34</td> <td>"</td> <td>"</td> <td>V-675</td> <td>122</td> <td>1/2</td> <td>2900</td> <td>1\"/&gt;  <tr> <td>U-35</td> <td>"</td> <td>"</td> <td>V-675</td> <td>122</td> <td>1/2</td> <td>2900</td> <td>1\"/&gt;  <tr> <td>U-36</td> <td>"</td> <td>"</td> <td>V-675</td> <td>122</td> <td>1/2</td> <td>2900</td> <td>1\"/&gt;  <tr> <td>U-37</td> <td>"</td> <td>"</td> <td>V-675</td> <td>122</td> <td>1/2</td> <td>2900</td> <td>1\"/&gt;  <tr> <td>U-38</td> <td>"</td> <td>"</td> <td>V-675</td> <td>122</td> <td>1/2</td> <td>2900</td> <td>1\"/&gt;  <tr> <td>U-39</td> <td>"</td> <td>"</td> <td>V-675</td> <td>122</td> <td>1/2</td> <td>2900</td> <td>1\"/&gt;  <tr> <td>U-40</td> <td>"</td> <td>"</td> <td>V-675</td> <td>122</td> <td>1/2</td> <td>2900</td> <td>1\"/&gt;  <tr> <td>U-41</td> <td>"</td> <td>"</td> <td>V-675</td> <td>122</td> <td>1/2</td> <td>2900</td> <td>1\"/&gt;  <tr> <td>U-42</td> <td>"</td> <td>"</td> <td>V-675</td> <td>122</td> <td>1/2</td> <td>2900</td> <td>1\"/&gt;  <tr>
<td>U-43</td> <td>"</td> <td>"</td> <td>V-675</td> <td>122</td> <td>1/2</td> <td>2900</td> <td>1\"/&gt;  <tr> <td>U-44</td> <td>"</td> <td>"</td> <td>V-675</td> <td>122</td> <td>1/2</td> <td>2900</td> <td>1\"/&gt;  <tr> <td>U-45</td> <td>"</td> <td>"</td> <td>V-675</td> <td>122</td> <td>1/2</td> <td>2900</td> <td>1\"/&gt;  <tr> <td>U-46</td> <td>"</td> <td>"</td> <td>V-675</td> <td>122</td> <td>1/2</td> <td>2900</td> <td>1\"/&gt;  <tr> <td>U-47</td> <td>"</td> <td>"</td> <td>V-675</td> <td>122</td> <td>1/2</td> <td>2900</td> <td>1\"/&gt;  <tr> <td>U-48</td> <td>"</td> <td>"</td> <td>V-675</td> <td>122</td> <td>1/2</td> <td>2900</td> <td>1\"/&gt;  <tr> <td>U-49</td> <td>"</td> <td>"</td> <td>V-675</td> <td>122</td> <td>1/2</td> <td>2900</td> <td>1\"/&gt;  <tr> <td>U-50</td> <td>"</td> <td>"</td> <td>V-675</td> <td>122</td> <td>1/2</td> <td>2900</td> <td>1\"/&gt;  </td></tr></td></tr></td></tr></td></tr></td></tr></td></tr></td></tr></td></tr></td></tr></td></tr></td></tr></td></tr></td></tr></td></tr></td></tr></td></tr></td></tr></td></tr></td></tr></td></tr></td></tr></td></tr></td></tr>   | U-28 | " | " | V-675 | 122 | 1/2 | 2900 | 1\"/> <tr> <td>U-29</td> <td>"</td> <td>"</td> <td>V-675</td> <td>122</td> <td>1/2</td> <td>2900</td> <td>1\"/&gt;  <tr> <td>U-30</td> <td>"</td> <td>"</td> <td>V-675</td> <td>122</td> <td>1/2</td> <td>2900</td> <td>1\"/&gt;  <tr> <td>U-31</td> <td>"</td> <td>"</td> <td>V-675</td> <td>122</td> <td>1/2</td> <td>2900</td> <td>1\"/&gt;  <tr> <td>U-32</td> <td>"</td> <td>"</td> <td>V-675</td> <td>122</td> <td>1/2</td> <td>2900</td> <td>1\"/&gt;  <tr> <td>U-33</td> <td>"</td> <td>"</td> <td>V-675</td> <td>122</td> <td>1/2</td> <td>2900</td> <td>1\"/&gt;  <tr> <td>U-34</td> <td>"</td> <td>"</td> <td>V-675</td> <td>122</td> <td>1/2</td> <td>2900</td> <td>1\"/&gt;  <tr> <td>U-35</td> <td>"</td> <td>"</td> <td>V-675</td> <td>122</td> <td>1/2</td> <td>2900</td> <td>1\"/&gt;  <tr> <td>U-36</td> <td>"</td> <td>"</td> <td>V-675</td> <td>122</td> <td>1/2</td> <td>2900</td> <td>1\"/&gt;  <tr> <td>U-37</td> <td>"</td> <td>"</td> <td>V-675</td> <td>122</td> <td>1/2</td> <td>2900</td> <td>1\"/&gt;  <tr> <td>U-38</td> <td>"</td> <td>"</td> <td>V-675</td> <td>122</td> <td>1/2</td> <td>2900</td> <td>1\"/&gt;  <tr> <td>U-39</td> <td>"</td> <td>"</td> <td>V-675</td> <td>122</td> <td>1/2</td> <td>2900</td> <td>1\"/&gt;  <tr> <td>U-40</td> <td>"</td> <td>"</td> <td>V-675</td> <td>122</td> <td>1/2</td> <td>2900</td> <td>1\"/&gt;  <tr> <td>U-41</td> <td>"</td> <td>"</td> <td>V-675</td> <td>122</td> <td>1/2</td> <td>2900</td> <td>1\"/&gt;  <tr> <td>U-42</td> <td>"</td> <td>"</td> <td>V-675</td> <td>122</td> <td>1/2</td> <td>2900</td> <td>1\"/&gt;  <tr> <td>U-43</td> <td>"</td> <td>"</td> <td>V-675</td> <td>122</td> <td>1/2</td> <td>2900</td> <td>1\"/&gt;  <tr> <td>U-44</td> <td>"</td> <td>"</td> <td>V-675</td> <td>122</td> <td>1/2</td> <td>2900</td> <td>1\"/&gt;  <tr> <td>U-45</td> <td>"</td> <td>"</td> <td>V-675</td> <td>122</td> <td>1/2</td> <td>2900</td> <td>1\"/&gt;  <tr> <td>U-46</td> <td>"</td> <td>"</td> <td>V-675</td> <td>122</td> <td>1/2</td> <td>2900</td> <td>1\"/&gt;  <tr> <td>U-47</td> <td>"</td> <td>"</td> <td>V-675</td> <td>122</td> <td>1/2</td> <td>2900</td> <td>1\"/&gt;  <tr> <td>U-48</td> <td>"</td> <td>"</td> <td>V-675</td> <td>122</td> <td>1/2</td> <td>2900</td> <td>1\"/&gt;  <tr> <td>U-49</td> <td>"</td> <td>"</td> <td>V-675</td> <td>122</td> <td>1/2</td> <td>2900</td> <td>1\"/&gt;  <tr> <td>U-50</td> <td>"</td> <td>"</td> <td>V-675</td> <td>122</td> <td>1/2</td> <td>2900</td> <td>1\"/&gt;  </td></tr></td></tr></td></tr></td></tr></td></tr></td></tr></td></tr></td></tr></td></tr></td></tr></td></tr></td></tr></td></tr></td></tr></td></tr></td></tr></td></tr></td></tr></td></tr></td></tr></td></tr></td></tr>  | U-29 | " | " | V-675 | 122 | 1/2 | 2900 | 1\"/> <tr> <td>U-30</td> <td>"</td> <td>"</td> <td>V-675</td> <td>122</td> <td>1/2</td> <td>2900</td> <td>1\"/&gt;  <tr> <td>U-31</td> <td>"</td> <td>"</td> <td>V-675</td> <td>122</td> <td>1/2</td> <td>2900</td> <td>1\"/&gt;  <tr> <td>U-32</td> <td>"</td> <td>"</td> <td>V-675</td> <td>122</td> <td>1/2</td> <td>2900</td> <td>1\"/&gt;  <tr> <td>U-33</td> <td>"</td> <td>"</td> <td>V-675</td> <td>122</td> <td>1/2</td> <td>2900</td> <td>1\"/&gt;  <tr> <td>U-34</td> <td>"</td> <td>"</td> <td>V-675</td> <td>122</td> <td>1/2</td> <td>2900</td> <td>1\"/&gt;  <tr> <td>U-35</td> <td>"</td> <td>"</td> <td>V-675</td> <td>122</td> <td>1/2</td> <td>2900</td> <td>1\"/&gt;  <tr> <td>U-36</td> <td>"</td> <td>"</td> <td>V-675</td> <td>122</td> <td>1/2</td> <td>2900</td> <td>1\"/&gt;  <tr> <td>U-37</td> <td>"</td> <td>"</td> <td>V-675</td> <td>122</td> <td>1/2</td> <td>2900</td> <td>1\"/&gt;  <tr> <td>U-38</td> <td>"</td> <td>"</td> <td>V-675</td> <td>122</td> <td>1/2</td> <td>2900</td> <td>1\"/&gt;  <tr> <td>U-39</td> <td>"</td> <td>"</td> <td>V-675</td> <td>122</td> <td>1/2</td> <td>2900</td> <td>1\"/&gt;  <tr> <td>U-40</td> <td>"</td> <td>"</td> <td>V-675</td> <td>122</td> <td>1/2</td> <td>2900</td> <td>1\"/&gt;  <tr> <td>U-41</td> <td>"</td> <td>"</td> <td>V-675</td> <td>122</td> <td>1/2</td> <td>2900</td> <td>1\"/&gt;  <tr> <td>U-42</td> <td>"</td>
<td>"</td> <td>V-675</td> <td>122</td> <td>1/2</td> <td>2900</td> <td>1\"/&gt;  <tr> <td>U-43</td> <td>"</td> <td>"</td> <td>V-675</td> <td>122</td> <td>1/2</td> <td>2900</td> <td>1\"/&gt;  <tr> <td>U-44</td> <td>"</td> <td>"</td> <td>V-675</td> <td>122</td> <td>1/2</td> <td>2900</td> <td>1\"/&gt;  <tr> <td>U-45</td> <td>"</td> <td>"</td> <td>V-675</td> <td>122</td> <td>1/2</td> <td>2900</td> <td>1\"/&gt;  <tr> <td>U-46</td> <td>"</td> <td>"</td> <td>V-675</td> <td>122</td> <td>1/2</td> <td>2900</td> <td>1\"/&gt;  <tr> <td>U-47</td> <td>"</td> <td>"</td> <td>V-675</td> <td>122</td> <td>1/2</td> <td>2900</td> <td>1\"/&gt;  <tr> <td>U-48</td> <td>"</td> <td>"</td> <td>V-675</td> <td>122</td> <td>1/2</td> <td>2900</td> <td>1\"/&gt;  <tr> <td>U-49</td> <td>"</td> <td>"</td> <td>V-675</td> <td>122</td> <td>1/2</td> <td>2900</td> <td>1\"/&gt;  <tr> <td>U-50</td> <td>"</td> <td>"</td> <td>V-675</td> <td>122</td> <td>1/2</td> <td>2900</td> <td>1\"/&gt;  </td></tr></td></tr></td></tr></td></tr></td></tr></td></tr></td></tr></td></tr></td></tr></td></tr></td></tr></td></tr></td></tr></td></tr></td></tr></td></tr></td></tr></td></tr></td></tr></td></tr></td></tr>   | U-30 | " | " | V-675 | 122 | 1/2 | 2900 | 1\"/> <tr> <td>U-31</td> <td>"</td> <td>"</td> <td>V-675</td> <td>122</td> <td>1/2</td> <td>2900</td> <td>1\"/&gt;  <tr> <td>U-32</td> <td>"</td> <td>"</td> <td>V-675</td> <td>122</td> <td>1/2</td> <td>2900</td> <td>1\"/&gt;  <tr> <td>U-33</td> <td>"</td> <td>"</td> <td>V-675</td> <td>122</td> <td>1/2</td> <td>2900</td> <td>1\"/&gt;  <tr> <td>U-34</td> <td>"</td> <td>"</td> <td>V-675</td> <td>122</td> <td>1/2</td> <td>2900</td> <td>1\"/&gt;  <tr> <td>U-35</td> <td>"</td> <td>"</td> <td>V-675</td> <td>122</td> <td>1/2</td> <td>2900</td> <td>1\"/&gt;  <tr> <td>U-36</td> <td>"</td> <td>"</td> <td>V-675</td> <td>122</td> <td>1/2</td> <td>2900</td> <td>1\"/&gt;  <tr> <td>U-37</td> <td>"</td> <td>"</td> <td>V-675</td> <td>122</td> <td>1/2</td> <td>2900</td> <td>1\"/&gt;  <tr> <td>U-38</td> <td>"</td> <td>"</td> <td>V-675</td> <td>122</td> <td>1/2</td> <td>2900</td> <td>1\"/&gt;  <tr> <td>U-39</td> <td>"</td> <td>"</td> <td>V-675</td> <td>122</td> <td>1/2</td> <td>2900</td> <td>1\"/&gt;  <tr> <td>U-40</td> <td>"</td> <td>"</td> <td>V-675</td> <td>122</td> <td>1/2</td> <td>2900</td> <td>1\"/&gt;  <tr> <td>U-41</td> <td>"</td> <td>"</td> <td>V-675</td> <td>122</td> <td>1/2</td> <td>2900</td> <td>1\"/&gt;  <tr> <td>U-42</td> <td>"</td> <td>"</td> <td>V-675</td> <td>122</td> <td>1/2</td> <td>2900</td> <td>1\"/&gt;  <tr> <td>U-43</td> <td>"</td> <td>"</td> <td>V-675</td> <td>122</td> <td>1/2</td> <td>2900</td> <td>1\"/&gt;  <tr> <td>U-44</td> <td>"</td> <td>"</td> <td>V-675</td> <td>122</td> <td>1/2</td> <td>2900</td> <td>1\"/&gt;  <tr> <td>U-45</td> <td>"</td> <td>"</td> <td>V-675</td> <td>122</td> <td>1/2</td> <td>2900</td> <td>1\"/&gt;  <tr> <td>U-46</td> <td>"</td> <td>"</td> <td>V-675</td> <td>122</td> <td>1/2</td> <td>2900</td> <td>1\"/&gt;  <tr> <td>U-47</td> <td>"</td> <td>"</td> <td>V-675</td> <td>122</td> <td>1/2</td> <td>2900</td> <td>1\"/&gt;  <tr> <td>U-48</td> <td>"</td> <td>"</td> <td>V-675</td> <td>122</td> <td>1/2</td> <td>2900</td> <td>1\"/&gt;  <tr> <td>U-49</td> <td>"</td> <td>"</td> <td>V-675</td> <td>122</td> <td>1/2</td> <td>2900</td> <td>1\"/&gt;  <tr> <td>U-50</td> <td>"</td> <td>"</td> <td>V-675</td> <td>122</td> <td>1/2</td> <td>2900</td> <td>1\"/&gt;  </td></tr></td></tr></td></tr></td></tr></td></tr></td></tr></td></tr></td></tr></td></tr></td></tr></td></tr></td></tr></td></tr></td></tr></td></tr></td></tr></td></tr></td></tr></td></tr></td></tr>   | U-31 | " | " | V-675 | 122 | 1/2 | 2900 | 1\"/> <tr> <td>U-32</td> <td>"</td> <td>"</td> <td>V-675</td> <td>122</td> <td>1/2</td> <td>2900</td> <td>1\"/&gt;  <tr> <td>U-33</td> <td>"</td> <td>"</td> <td>V-675</td> <td>122</td> <td>1/2</td> <td>2900</td> <td>1\"/&gt;  <tr> <td>U-34</td> <td>"</td> <td>"</td> <td>V-675</td> <td>122</td> <td>1/2</td> <td>2900</td> <td>1\"/&gt;  <tr> <td>U-35</td> <td>"</td> <td>"</td> <td>V-675</td> <td>122</td> <td>1/2</td> <td>2900</td> <td>1\"/&gt;  <tr> <td>U-36</td> <td>"</td> <td>"</td> <td>V-675</td> <td>122</td> <td>1/2</td> <td>2900</td> <td>1\"/&gt;  <tr> <td>U-37</td> <td>"</td> <td>"</td> <td>V-675</td> <td>122</td> <td>1/2</td> <td>2900</td> <td>1\"/&gt;  <tr> <td>U-38</td> <td>"</td> <td>"</td> <td>V-675</td> <td>122</td> <td>1/2</td> <td>2900</td> <td>1\"/&gt;  <tr> <td>U-39</td> <td>"</td> <td>"</td> <td>V-675</td> <td>122</td> <td>1/2</td> <td>2900</td> <td>1\"/&gt;  <tr> <td>U-40</td> <td>"</td> <td>"</td> <td>V-675</td> <td>122</td> <td>1/2</td> <td>2900</td> <td>1\"/&gt;  <tr> <td>U-41</td> <td>"</td> <td>"</td> <td>V-675</td> <td>122</td> <td>1/2</td> <td>2900</td> <td>1\"/&gt;  <tr> <td>U-42</td> <td>"</td> <td>"</td> <td>V-675</td> <td>122</td> <td>1/2</td> <td>2900</td> <td>1\"/&gt;  <tr> <td>U-43</td> <td>"</td> <td>"</td> <td>V-675</td> <td>122</td> <td>1/2</td> <td>2900</td> <td>1\"/&gt;  <tr> <td>U-44</td> <td>"</td> <td>"</td> <td>V-675</td> <td>122</td> <td>1/2</td> <td>2900</td> <td>1\"/&gt;  <tr> <td>U-45</td> <td>"</td> <td>"</td> <td>V-675</td> <td>122</td> <td>1/2</td> <td>2900</td>
<td>1\"/&gt;  <tr> <td>U-46</td> <td>"</td> <td>"</td> <td>V-675</td> <td>122</td> <td>1/2</td> <td>2900</td> <td>1\"/&gt;  <tr> <td>U-47</td> <td>"</td> <td>"</td> <td>V-675</td> <td>122</td> <td>1/2</td> <td>2900</td> <td>1\"/&gt;  <tr> <td>U-48</td> <td>"</td> <td>"</td> <td>V-675</td> <td>122</td> <td>1/2</td> <td>2900</td> <td>1\"/&gt;  <tr> <td>U-49</td> <td>"</td> <td>"</td> <td>V-675</td> <td>122</td> <td>1/2</td> <td>2900</td> <td>1\"/&gt;  <tr> <td>U-50</td> <td>"</td> <td>"</td> <td>V-675</td> <td>122</td> <td>1/2</td> <td>2900</td> <td>1\"/&gt;  </td></tr></td></tr></td></tr></td></tr></td></tr></td></tr></td></tr></td></tr></td></tr></td></tr></td></tr></td></tr></td></tr></td></tr></td></tr></td></tr></td></tr></td></tr></td></tr>   | U-32 | " | " | V-675 | 122 | 1/2 | 2900 | 1\"/> <tr> <td>U-33</td> <td>"</td> <td>"</td> <td>V-675</td> <td>122</td> <td>1/2</td> <td>2900</td> <td>1\"/&gt;  <tr> <td>U-34</td> <td>"</td> <td>"</td> <td>V-675</td> <td>122</td> <td>1/2</td> <td>2900</td> <td>1\"/&gt;  <tr> <td>U-35</td> <td>"</td> <td>"</td> <td>V-675</td> <td>122</td> <td>1/2</td> <td>2900</td> <td>1\"/&gt;  <tr> <td>U-36</td> <td>"</td> <td>"</td> <td>V-675</td> <td>122</td> <td>1/2</td> <td>2900</td> <td>1\"/&gt;  <tr> <td>U-37</td> <td>"</td> <td>"</td> <td>V-675</td> <td>122</td> <td>1/2</td> <td>2900</td> <td>1\"/&gt;  <tr> <td>U-38</td> <td>"</td> <td>"</td> <td>V-675</td> <td>122</td> <td>1/2</td> <td>2900</td> <td>1\"/&gt;  <tr> <td>U-39</td> <td>"</td> <td>"</td> <td>V-675</td> <td>122</td> <td>1/2</td> <td>2900</td> <td>1\"/&gt;  <tr> <td>U-40</td> <td>"</td> <td>"</td> <td>V-675</td> <td>122</td> <td>1/2</td> <td>2900</td> <td>1\"/&gt;  <tr> <td>U-41</td> <td>"</td> <td>"</td> <td>V-675</td> <td>122</td> <td>1/2</td> <td>2900</td> <td>1\"/&gt;  <tr> <td>U-42</td> <td>"</td> <td>"</td> <td>V-675</td> <td>122</td> <td>1/2</td> <td>2900</td> <td>1\"/&gt;  <tr> <td>U-43</td> <td>"</td> <td>"</td> <td>V-675</td> <td>122</td> <td>1/2</td> <td>2900</td> <td>1\"/&gt;  <tr> <td>U-44</td> <td>"</td> <td>"</td> <td>V-675</td> <td>122</td> <td>1/2</td> <td>2900</td> <td>1\"/&gt;  <tr> <td>U-45</td> <td>"</td> <td>"</td> <td>V-675</td> <td>122</td> <td>1/2</td> <td>2900</td> <td>1\"/&gt;  <tr> <td>U-46</td> <td>"</td> <td>"</td> <td>V-675</td> <td>122</td> <td>1/2</td> <td>2900</td> <td>1\"/&gt;  <tr> <td>U-47</td> <td>"</td> <td>"</td> <td>V-675</td> <td>122</td> <td>1/2</td> <td>2900</td> <td>1\"/&gt;  <tr> <td>U-48</td> <td>"</td> <td>"</td> <td>V-675</td> <td>122</td> <td>1/2</td> <td>2900</td> <td>1\"/&gt;  <tr> <td>U-49</td> <td>"</td> <td>"</td> <td>V-675</td> <td>122</td> <td>1/2</td> <td>2900</td> <td>1\"/&gt;  <tr> <td>U-50</td> <td>"</td> <td>"</td> <td>V-675</td> <td>122</td> <td>1/2</td> <td>2900</td> <td>1\"/&gt;  </td></tr></td></tr></td></tr></td></tr></td></tr></td></tr></td></tr></td></tr></td></tr></td></tr></td></tr></td></tr></td></tr></td></tr></td></tr></td></tr></td></tr></td></tr>   | U-33 | " | " | V-675 | 122 | 1/2 | 2900 | 1\"/> <tr> <td>U-34</td> <td>"</td> <td>"</td> <td>V-675</td> <td>122</td> <td>1/2</td> <td>2900</td> <td>1\"/&gt;  <tr> <td>U-35</td> <td>"</td> <td>"</td> <td>V-675</td> <td>122</td> <td>1/2</td> <td>2900</td> <td>1\"/&gt;  <tr> <td>U-36</td> <td>"</td> <td>"</td> <td>V-675</td> <td>122</td> <td>1/2</td> <td>2900</td> <td>1\"/&gt;  <tr> <td>U-37</td> <td>"</td> <td>"</td> <td>V-675</td> <td>122</td> <td>1/2</td> <td>2900</td> <td>1\"/&gt;  <tr> <td>U-38</td> <td>"</td> <td>"</td> <td>V-675</td> <td>122</td> <td>1/2</td> <td>2900</td> <td>1\"/&gt;  <tr> <td>U-39</td> <td>"</td> <td>"</td> <td>V-675</td> <td>122</td> <td>1/2</td> <td>2900</td> <td>1\"/&gt;  <tr> <td>U-40</td> <td>"</td> <td>"</td> <td>V-675</td> <td>122</td> <td>1/2</td> <td>2900</td> <td>1\"/&gt;  <tr> <td>U-41</td> <td>"</td> <td>"</td> <td>V-675</td> <td>122</td> <td>1/2</td> <td>2900</td> <td>1\"/&gt;  <tr> <td>U-42</td> <td>"</td> <td>"</td> <td>V-675</td> <td>122</td> <td>1/2</td> <td>2900</td> <td>1\"/&gt;  <tr> <td>U-43</td> <td>"</td> <td>"</td> <td>V-675</td> <td>122</td> <td>1/2</td> <td>2900</td> <td>1\"/&gt;  <tr> <td>U-44</td> <td>"</td> <td>"</td> <td>V-675</td> <td>122</td> <td>1/2</td> <td>2900</td> <td>1\"/&gt;  <tr> <td>U-45</td> <td>"</td> <td>"</td> <td>V-675</td> <td>122</td> <td>1/2</td> <td>2900</td> <td>1\"/&gt;  <tr> <td>U-46</td> <td>"</td> <td>"</td> <td>V-675</td> <td>122</td> <td>1/2</td> <td>2900</td> <td>1\"/&gt;  <tr> <td>U-47</td> <td>"</td> <td>"</td> <td>V-675</td> <td>122</td> <td>1/2</td> <td>2900</td> <td>1\"/&gt;  <tr> <td>U-48</td> <td>"</td> <td>"</td> <td>V-675</td> <td>122</td> <td>1/2</td> <td>2900</td> <td>1\"/&gt;  <tr> <td>U-49</td> <td>"</td> <td>"</td> <td>V-675</td> <td>122</td> <td>1/2</td> <td>2900</td> <td>1\"/&gt;  <tr> <td>U-50</td> <td>"</td> <td>"</td> <td>V-675</td> <td>122</td> <td>1/2</td> <td>2900</td> <td>1\"/&gt;  </td></tr></td></tr></td></tr></td></tr></td></tr></td></tr></td></tr></td></tr></td></tr></td></tr></td></tr></td></tr></td></tr></td></tr></td></tr></td></tr></td></tr>   
   | U-34 | " | " | V-675 | 122 | 1/2 | 2900 | 1\"/> <tr> <td>U-35</td> <td>"</td> <td>"</td> <td>V-675</td> <td>122</td> <td>1/2</td> <td>2900</td> <td>1\"/&gt;  <tr> <td>U-36</td> <td>"</td> <td>"</td> <td>V-675</td> <td>122</td> <td>1/2</td> <td>2900</td> <td>1\"/&gt;  <tr> <td>U-37</td> <td>"</td> <td>"</td> <td>V-675</td> <td>122</td> <td>1/2</td> <td>2900</td> <td>1\"/&gt;  <tr> <td>U-38</td> <td>"</td> <td>"</td> <td>V-675</td> <td>122</td> <td>1/2</td> <td>2900</td> <td>1\"/&gt;  <tr> <td>U-39</td> <td>"</td> <td>"</td> <td>V-675</td> <td>122</td> <td>1/2</td> <td>2900</td> <td>1\"/&gt;  <tr> <td>U-40</td> <td>"</td> <td>"</td> <td>V-675</td> <td>122</td> <td>1/2</td> <td>2900</td> <td>1\"/&gt;  <tr> <td>U-41</td> <td>"</td> <td>"</td> <td>V-675</td> <td>122</td> <td>1/2</td> <td>2900</td> <td>1\"/&gt;  <tr> <td>U-42</td> <td>"</td> <td>"</td> <td>V-675</td> <td>122</td> <td>1/2</td> <td>2900</td> <td>1\"/&gt;  <tr> <td>U-43</td> <td>"</td> <td>"</td> <td>V-675</td> <td>122</td> <td>1/2</td> <td>2900</td> <td>1\"/&gt;  <tr> <td>U-44</td> <td>"</td> <td>"</td> <td>V-675</td> <td>122</td> <td>1/2</td> <td>2900</td> <td>1\"/&gt;  <tr> <td>U-45</td> <td>"</td> <td>"</td> <td>V-675</td> <td>122</td> <td>1/2</td> <td>2900</td> <td>1\"/&gt;  <tr> <td>U-46</td> <td>"</td> <td>"</td> <td>V-675</td> <td>122</td> <td>1/2</td> <td>2900</td> <td>1\"/&gt;  <tr> <td>U-47</td> <td>"</td> <td>"</td> <td>V-675</td> <td>122</td> <td>1/2</td> <td>2900</td> <td>1\"/&gt;  <tr> <td>U-48</td> <td>"</td> <td>"</td> <td>V-675</td> <td>122</td> <td>1/2</td> <td>2900</td> <td>1\"/&gt;  <tr> <td>U-49</td> <td>"</td> <td>"</td> <td>V-675</td> <td>122</td> <td>1/2</td> <td>2900</td> <td>1\"/&gt;  <tr> <td>U-50</td> <td>"</td> <td>"</td> <td>V-675</td> <td>122</td> <td>1/2</td> <td>2900</td> <td>1\"/&gt;  </td></tr></td></tr></td></tr></td></tr></td></tr></td></tr></td></tr></td></tr></td></tr></td></tr></td></tr></td></tr></td></tr></td></tr></td></tr></td></tr>   | U-35 | " | " | V-675 | 122 | 1/2 | 2900 | 1\"/> <tr> <td>U-36</td> <td>"</td> <td>"</td> <td>V-675</td> <td>122</td> <td>1/2</td> <td>2900</td> <td>1\"/&gt;  <tr> <td>U-37</td> <td>"</td> <td>"</td> <td>V-675</td> <td>122</td> <td>1/2</td> <td>2900</td> <td>1\"/&gt;  <tr> <td>U-38</td> <td>"</td> <td>"</td> <td>V-675</td> <td>122</td> <td>1/2</td> <td>2900</td> <td>1\"/&gt;  <tr> <td>U-39</td> <td>"</td> <td>"</td> <td>V-675</td> <td>122</td> <td>1/2</td> <td>2900</td> <td>1\"/&gt;  <tr> <td>U-40</td> <td>"</td> <td>"</td> <td>V-675</td> <td>122</td> <td>1/2</td> <td>2900</td> <td>1\"/&gt;  <tr> <td>U-41</td> <td>"</td> <td>"</td> <td>V-675</td> <td>122</td> <td>1/2</td> <td>2900</td> <td>1\"/&gt;  <tr> <td>U-42</td> <td>"</td> <td>"</td> <td>V-675</td> <td>122</td> <td>1/2</td> <td>2900</td> <td>1\"/&gt;  <tr> <td>U-43</td> <td>"</td> <td>"</td> <td>V-675</td> <td>122</td> <td>1/2</td> <td>2900</td> <td>1\"/&gt;  <tr> <td>U-44</td> <td>"</td> <td>"</td> <td>V-675</td> <td>122</td> <td>1/2</td> <td>2900</td> <td>1\"/&gt;  <tr> <td>U-45</td> <td>"</td> <td>"</td> <td>V-675</td> <td>122</td> <td>1/2</td> <td>2900</td> <td>1\"/&gt;  <tr> <td>U-46</td> <td>"</td> <td>"</td> <td>V-675</td> <td>122</td> <td>1/2</td> <td>2900</td> <td>1\"/&gt;  <tr> <td>U-47</td> <td>"</td> <td>"</td> <td>V-675</td> <td>122</td> <td>1/2</td> <td>2900</td> <td>1\"/&gt;  <tr> <td>U-48</td> <td>"</td> <td>"</td> <td>V-675</td> <td>122</td> <td>1/2</td> <td>2900</td> <td>1\"/&gt;  <tr> <td>U-49</td> <td>"</td> <td>"</td> <td>V-675</td> <td>122</td> <td>1/2</td> <td>2900</td> <td>1\"/&gt;  <tr> <td>U-50</td> <td>"</td> <td>"</td> <td>V-675</td> <td>122</td> <td>1/2</td> <td>2900</td> <td>1\"/&gt;  </td></tr></td></tr></td></tr></td></tr></td></tr></td></tr></td></tr></td></tr></td></tr></td></tr></td></tr></td></tr></td></tr></td></tr></td></tr>   
   | U-36 | " | " | V-675 | 122 | 1/2 | 2900 | 1\"/> <tr> <td>U-37</td> <td>"</td> <td>"</td> <td>V-675</td> <td>122</td> <td>1/2</td> <td>2900</td> <td>1\"/&gt;  <tr> <td>U-38</td> <td>"</td> <td>"</td> <td>V-675</td> <td>122</td> <td>1/2</td> <td>2900</td> <td>1\"/&gt;  <tr> <td>U-39</td> <td>"</td> <td>"</td> <td>V-675</td> <td>122</td> <td>1/2</td> <td>2900</td> <td>1\"/&gt;  <tr> <td>U-40</td> <td>"</td> <td>"</td> <td>V-675</td> <td>122</td> <td>1/2</td> <td>2900</td> <td>1\"/&gt;  <tr> <td>U-41</td> <td>"</td> <td>"</td> <td>V-675</td> <td>122</td> <td>1/2</td> <td>2900</td> <td>1\"/&gt;  <tr> <td>U-42</td> <td>"</td> <td>"</td> <td>V-675</td> <td>122</td> <td>1/2</td> <td>2900</td> <td>1\"/&gt;  <tr> <td>U-43</td> <td>"</td> <td>"</td> <td>V-675</td> <td>122</td> <td>1/2</td> <td>2900</td> <td>1\"/&gt;  <tr> <td>U-44</td> <td>"</td> <td>"</td> <td>V-675</td> <td>122</td> <td>1/2</td> <td>2900</td> <td>1\"/&gt;  <tr> <td>U-45</td> <td>"</td> <td>"</td> <td>V-675</td> <td>122</td> <td>1/2</td> <td>2900</td> <td>1\"/&gt;  <tr> <td>U-46</td> <td>"</td> <td>"</td> <td>V-675</td> <td>122</td> <td>1/2</td> <td>2900</td> <td>1\"/&gt;  <tr> <td>U-47</td> <td>"</td> <td>"</td> <td>V-675</td> <td>122</td> <td>1/2</td> <td>2900</td> <td>1\"/&gt;  <tr> <td>U-48</td> <td>"</td> <td>"</td> <td>V-675</td> <td>122</td> <td>1/2</td> <td>2900</td> <td>1\"/&gt;  <tr> <td>U-49</td> <td>"</td> <td>"</td> <td>V-675</td> <td>122</td> <td>1/2</td> <td>2900</td> <td>1\"/&gt;  <tr> <td>U-50</td> <td>"</td> <td>"</td> <td>V-675</td> <td>122</td> <td>1/2</td> <td>2900</td> <td>1\"/&gt;  </td></tr></td></tr></td></tr></td></tr></td></tr></td></tr></td></tr></td></tr></td></tr></td></tr></td></tr></td></tr></td></tr></td></tr>   | U-37 | " | " | V-675 | 122 | 1/2 | 2900 | 1\"/> <tr> <td>U-38</td> <td>"</td> <td>"</td> <td>V-675</td> <td>122</td> <td>1/2</td> <td>2900</td> <td>1\"/&gt;  <tr> <td>U-39</td> <td>"</td> <td>"</td> <td>V-675</td> <td>122</td> <td>1/2</td> <td>2900</td> <td>1\"/&gt;  <tr> <td>U-40</td> <td>"</td> <td>"</td> <td>V-675</td> <td>122</td> <td>1/2</td> <td>2900</td> <td>1\"/&gt;  <tr> <td>U-41</td> <td>"</td> <td>"</td> <td>V-675</td> <td>122</td> <td>1/2</td> <td>2900</td> <td>1\"/&gt;  <tr> <td>U-42</td> <td>"</td> <td>"</td> <td>V-675</td> <td>122</td> <td>1/2</td> <td>2900</td> <td>1\"/&gt;  <tr> <td>U-43</td> <td>"</td> <td>"</td> <td>V-675</td> <td>122</td> <td>1/2</td> <td>2900</td> <td>1\"/&gt;  <tr> <td>U-44</td> <td>"</td> <td>"</td> <td>V-675</td> <td>122</td> <td>1/2</td> <td>2900</td> <td>1\"/&gt;  <tr> <td>U-45</td> <td>"</td> <td>"</td> <td>V-675</td> <td>122</td> <td>1/2</td> <td>2900</td> <td>1\"/&gt;  <tr> <td>U-46</td> <td>"</td> <td>"</td> <td>V-675</td> <td>122</td> <td>1/2</td> <td>2900</td> <td>1\"/&gt;  <tr> <td>U-47</td> <td>"</td> <td>"</td> <td>V-675</td> <td>122</td> <td>1/2</td> <td>2900</td> <td>1\"/&gt;  <tr> <td>U-48</td> <td>"</td> <td>"</td> <td>V-675</td> <td>122</td> <td>1/2</td> <td>2900</td> <td>1\"/&gt;  <tr> <td>U-49</td> <td>"</td> <td>"</td> <td>V-675</td> <td>122</td> <td>1/2</td> <td>2900</td> <td>1\"/&gt;  <tr> <td>U-50</td> <td>"</td> <td>"</td> <td>V-675</td> <td>122</td> <td>1/2</td> <td>2900</td> <td>1\"/&gt;  </td></tr></td></tr></td></tr></td></tr></td></tr></td></tr></td></tr></td></tr></td></tr></td></tr></td></tr></td></tr></td></tr>   | U-38 | " | " | V-675 | 122 | 1/2 | 2900 | 1\"/> <tr> <td>U-39</td> <td>"</td> <td>"</td> <td>V-675</td> <td>122</td> <td>1/2</td> <td>2900</td> <td>1\"/&gt;  <tr> <td>U-40</td> <td>"</td> <td>"</td> <td>V-675</td> <td>122</td> <td>1/2</td> <td>2900</td> <td>1\"/&gt;  <tr> <td>U-41</td> <td>"</td> <td>"</td> <td>V-675</td> <td>122</td> <td>1/2</td> <td>2900</td> <td>1\"/&gt;  <tr> <td>U-42</td> <td>"</td> <td>"</td> <td>V-675</td> <td>122</td> <td>1/2</td> <td>2900</td> <td>1\"/&gt;  <tr> <td>U-43</td> <td>"</td> <td>"</td> <td>V-675</td> <td>122</td> <td>1/2</td> <td>2900</td> <td>1\"/&gt;  <tr> <td>U-44</td> <td>"</td> <td>"</td> <td>V-675</td> <td>122</td> <td>1/2</td> <td>2900</td> <td>1\"/&gt;  <tr> <td>U-45</td> <td>"</td> <td>"</td> <td>V-675</td> <td>122</td> <td>1/2</td> <td>2900</td> <td>1\"/&gt;  <tr> <td>U-46</td> <td>"</td> <td>"</td> <td>V-675</td> <td>122</td> <td>1/2</td> <td>2900</td> <td>1\"/&gt;  <tr> <td>U-47</td> <td>"</td> <td>"</td>
<td>V-675</td> <td>122</td> <td>1/2</td> <td>2900</td> <td>1\"/&gt;  <tr> <td>U-48</td> <td>"</td> <td>"</td> <td>V-675</td> <td>122</td> <td>1/2</td> <td>2900</td> <td>1\"/&gt;  <tr> <td>U-49</td> <td>"</td> <td>"</td> <td>V-675</td> <td>122</td> <td>1/2</td> <td>2900</td> <td>1\"/&gt;  <tr> <td>U-50</td> <td>"</td> <td>"</td> <td>V-675</td> <td>122</td> <td>1/2</td> <td>2900</td> <td>1\"/&gt;  </td></tr></td></tr></td></tr></td></tr></td></tr></td></tr></td></tr></td></tr></td></tr></td></tr></td></tr></td></tr>   | U-39 | " | " | V-675 | 122 | 1/2 | 2900 | 1\"/> <tr> <td>U-40</td> <td>"</td> <td>"</td> <td>V-675</td> <td>122</td> <td>1/2</td> <td>2900</td> <td>1\"/&gt;  <tr> <td>U-41</td> <td>"</td> <td>"</td> <td>V-675</td> <td>122</td> <td>1/2</td> <td>2900</td> <td>1\"/&gt;  <tr> <td>U-42</td> <td>"</td> <td>"</td> <td>V-675</td> <td>122</td> <td>1/2</td> <td>2900</td> <td>1\"/&gt;  <tr> <td>U-43</td> <td>"</td> <td>"</td> <td>V-675</td> <td>122</td> <td>1/2</td> <td>2900</td> <td>1\"/&gt;  <tr> <td>U-44</td> <td>"</td> <td>"</td> <td>V-675</td> <td>122</td> <td>1/2</td> <td>2900</td> <td>1\"/&gt;  <tr> <td>U-45</td> <td>"</td> <td>"</td> <td>V-675</td> <td>122</td> <td>1/2</td> <td>2900</td> <td>1\"/&gt;  <tr> <td>U-46</td> <td>"</td> <td>"</td> <td>V-675</td> <td>122</td> <td>1/2</td> <td>2900</td> <td>1\"/&gt;  <tr> <td>U-47</td> <td>"</td> <td>"</td> <td>V-675</td> <td>122</td> <td>1/2</td> <td>2900</td> <td>1\"/&gt;  <tr> <td>U-48</td> <td>"</td> <td>"</td> <td>V-675</td> <td>122</td> <td>1/2</td> <td>2900</td> <td>1\"/&gt;  <tr> <td>U-49</td> <td>"</td> <td>"</td> <td>V-675</td> <td>122</td> <td>1/2</td> <td>2900</td> <td>1\"/&gt;  <tr> <td>U-50</td> <td>"</td> <td>"</td> <td>V-675</td> <td>122</td> <td>1/2</td> <td>2900</td> <td>1\"/&gt;  </td></tr></td></tr></td></tr></td></tr></td></tr></td></tr></td></tr></td></tr></td></tr></td></tr></td></tr>   | U-40 | " | " | V-675 | 122 | 1/2 | 2900 | 1\"/> <tr> <td>U-41</td> <td>"</td> <td>"</td> <td>V-675</td> <td>122</td> <td>1/2</td> <td>2900</td> <td>1\"/&gt;  <tr> <td>U-42</td> <td>"</td> <td>"</td> <td>V-675</td> <td>122</td> <td>1/2</td> <td>2900</td> <td>1\"/&gt;  <tr> <td>U-43</td> <td>"</td> <td>"</td> <td>V-675</td> <td>122</td> <td>1/2</td> <td>2900</td> <td>1\"/&gt;  <tr> <td>U-44</td> <td>"</td> <td>"</td> <td>V-675</td> <td>122</td> <td>1/2</td> <td>2900</td> <td>1\"/&gt;  <tr> <td>U-45</td> <td>"</td> <td>"</td> <td>V-675</td> <td>122</td> <td>1/2</td> <td>2900</td> <td>1\"/&gt;  <tr> <td>U-46</td> <td>"</td> <td>"</td> <td>V-675</td> <td>122</td> <td>1/2</td> <td>2900</td> <td>1\"/&gt;  <tr> <td>U-47</td> <td>"</td> <td>"</td> <td>V-675</td> <td>122</td> <td>1/2</td> <td>2900</td> <td>1\"/&gt;  <tr> <td>U-48</td> <td>"</td> <td>"</td> <td>V-675</td> <td>122</td> <td>1/2</td> <td>2900</td> <td>1\"/&gt;  <tr> <td>U-49</td> <td>"</td> <td>"</td> <td>V-675</td> <td>122</td> <td>1/2</td> <td>2900</td> <td>1\"/&gt;  <tr> <td>U-50</td> <td>"</td> <td>"</td> <td>V-675</td> <td>122</td> <td>1/2</td> <td>2900</td> <td>1\"/&gt;  </td></tr></td></tr></td></tr></td></tr></td></tr></td></tr></td></tr></td></tr></td></tr></td></tr>  
  | U-41 | " | " | V-675 | 122 | 1/2 | 2900 | 1\"/> <tr> <td>U-42</td> <td>"</td> <td>"</td> <td>V-675</td> <td>122</td> <td>1/2</td> <td>2900</td> <td>1\"/&gt;  <tr> <td>U-43</td> <td>"</td> <td>"</td> <td>V-675</td> <td>122</td> <td>1/2</td> <td>2900</td> <td>1\"/&gt;  <tr> <td>U-44</td> <td>"</td> <td>"</td> <td>V-675</td> <td>122</td> <td>1/2</td> <td>2900</td> <td>1\"/&gt;  <tr> <td>U-45</td> <td>"</td> <td>"</td> <td>V-675</td> <td>122</td> <td>1/2</td> <td>2900</td> <td>1\"/&gt;  <tr> <td>U-46</td> <td>"</td> <td>"</td> <td>V-675</td> <td>122</td> <td>1/2</td> <td>2900</td> <td>1\"/&gt;  <tr> <td>U-47</td> <td>"</td> <td>"</td> <td>V-675</td> <td>122</td> <td>1/2</td> <td>2900</td> <td>1\"/&gt;  <tr> <td>U-48</td> <td>"</td> <td>"</td> <td>V-675</td> <td>122</td> <td>1/2</td> <td>2900</td> <td>1\"/&gt;  <tr> <td>U-49</td> <td>"</td> <td>"</td> <td>V-675</td> <td>122</td> <td>1/2</td> <td>2900</td> <td>1\"/&gt;  <tr> <td>U-50</td> <td>"</td> <td>"</td> <td>V-675</td> <td>122</td> <td>1/2</td> <td>2900</td> <td>1\"/&gt;  </td></tr></td></tr></td></tr></td></tr></td></tr></td></tr></td></tr></td></tr></td></tr>   | U-42 | " | " | V-675 | 122 | 1/2 | 2900 | 1\"/> <tr> <td>U-43</td> <td>"</td> <td>"</td> <td>V-675</td> <td>122</td> <td>1/2</td> <td>2900</td> <td>1\"/&gt;  <tr> <td>U-44</td> <td>"</td> <td>"</td> <td>V-675</td> <td>122</td> <td>1/2</td> <td>2900</td> <td>1\"/&gt;  <tr> <td>U-45</td> <td>"</td> <td>"</td> <td>V-675</td> <td>122</td> <td>1/2</td> <td>2900</td> <td>1\"/&gt;  <tr> <td>U-46</td> <td>"</td> <td>"</td> <td>V-675</td> <td>122</td> <td>1/2</td> <td>2900</td> <td>1\"/&gt;  <tr> <td>U-47</td> <td>"</td> <td>"</td> <td>V-675</td> <td>122</td> <td>1/2</td> <td>2900</td> <td>1\"/&gt;  <tr> <td>U-48</td> <td>"</td> <td>"</td> <td>V-675</td> <td>122</td> <td>1/2</td> <td>2900</td> <td>1\"/&gt;  <tr> <td>U-49</td> <td>"</td> <td>"</td> <td>V-675</td> <td>122</td> <td>1/2</td> <td>2900</td> <td>1\"/&gt;  <tr> <td>U-50</td> <td>"</td> <td>"</td> <td>V-675</td> <td>122</td> <td>1/2</td> <td>2900</td> <td>1\"/&gt;  </td></tr></td></tr></td></tr></td></tr></td></tr></td></tr></td></tr></td></tr>   | U-43 | " | " | V-675 | 122 | 1/2 | 2900 | 1\"/> <tr> <td>U-44</td> <td>"</td> <td>"</td> <td>V-675</td> <td>122</td> <td>1/2</td> <td>2900</td> <td>1\"/&gt;  <tr> <td>U-45</td> <td>"</td> <td>"</td> <td>V-675</td> <td>122</td> <td>1/2</td> <td>2900</td> <td>1\"/&gt;  <tr> <td>U-46</td> <td>"</td> <td>"</td> <td>V-675</td> <td>122</td> <td>1/2</td> <td>2900</td> <td>1\"/&gt;  <tr> <td>U-47</td> <td>"</td> <td>"</td> <td>V-675</td> <td>122</td> <td>1/2</td> <td>2900</td> <td>1\"/&gt;  <tr> <td>U-48</td> <td>"</td> <td>"</td> <td>V-675</td> <td>122</td> <td>1/2</td> <td>2900</td> <td>1\"/&gt;  <tr> <td>U-49</td> <td>"</td> <td>"</td> <td>V-675</td> <td>122</td> <td>1/2</td> <td>2900</td> <td>1\"/&gt;  <tr> <td>U-50</td> <td>"</td> <td>"</td> <td>V-675</td> <td>122</td> <td>1/2</td> <td>2900</td> <td>1\"/&gt;  </td></tr></td></tr></td></tr></td></tr></td></tr></td></tr></td></tr>   
   | U-44 | " | " | V-675 | 122 | 1/2 | 2900 | 1\"/> <tr> <td>U-45</td> <td>"</td> <td>"</td> <td>V-675</td> <td>122</td> <td>1/2</td> <td>2900</td> <td>1\"/&gt;  <tr> <td>U-46</td> <td>"</td> <td>"</td> <td>V-675</td> <td>122</td> <td>1/2</td> <td>2900</td> <td>1\"/&gt;  <tr> <td>U-47</td> <td>"</td> <td>"</td> <td>V-675</td> <td>122</td> <td>1/2</td> <td>2900</td> <td>1\"/&gt;  <tr> <td>U-48</td> <td>"</td> <td>"</td> <td>V-675</td> <td>122</td> <td>1/2</td> <td>2900</td> <td>1\"/&gt;  <tr> <td>U-49</td> <td>"</td> <td>"</td> <td>V-675</td> <td>122</td> <td>1/2</td> <td>2900</td> <td>1\"/&gt;  <tr> <td>U-50</td> <td>"</td> <td>"</td> <td>V-675</td> <td>122</td> <td>1/2</td> <td>2900</td> <td>1\"/&gt;  </td></tr></td></tr></td></tr></td></tr></td></tr></td></tr>   | U-45 | " | " | V-675 | 122 | 1/2 | 2900 | 1\"/> <tr> <td>U-46</td> <td>"</td> <td>"</td> <td>V-675</td> <td>122</td> <td>1/2</td> <td>2900</td> <td>1\"/&gt;  <tr> <td>U-47</td> <td>"</td> <td>"</td> <td>V-675</td> <td>122</td> <td>1/2</td> <td>2900</td> <td>1\"/&gt;  <tr> <td>U-48</td> <td>"</td> <td>"</td> <td>V-675</td> <td>122</td> <td>1/2</td> <td>2900</td> <td>1\"/&gt;  <tr> <td>U-49</td> <td>"</td> <td>"</td> <td>V-675</td> <td>122</td> <td>1/2</td> <td>2900</td> <td>1\"/&gt;  <tr> <td>U-50</td> <td>"</td> <td>"</td> <td>V-675</td> <td>122</td> <td>1/2</td> <td>2900</td> <td>1\"/&gt;  </td></tr></td></tr></td></tr></td></tr></td></tr>   | U-46 | " | " | V-675 | 122 | 1/2 | 2900 | 1\"/> <tr> <td>U-47</td> <td>"</td> <td>"</td> <td>V-675</td> <td>122</td> <td>1/2</td> <td>2900</td> <td>1\"/&gt;  <tr> <td>U-48</td> <td>"</td> <td>"</td> <td>V-675</td> <td>122</td> <td>1/2</td> <td>2900</td> <td>1\"/&gt;  <tr> <td>U-49</td> <td>"</td> <td>"</td> <td>V-675</td> <td>122</td> <td>1/2</td> <td>2900</td> <td>1\"/&gt;  <tr> <td>U-50</td> <td>"</td> <td>"</td> <td>V-675</td> <td>122</td> <td>1/2</td> <td>2900</td> <td>1\"/&gt;  </td></tr></td></tr></td></tr></td></tr>   | U-47 | " | " | V-675 | 122 | 1/2 | 2900 | 1\"/> <tr> <td>U-48</td> <td>"</td> <td>"</td> <td>V-675</td> <td>122</td> <td>1/2</td> <td>2900</td> <td>1\"/&gt;  <tr> <td>U-49</td> <td>"</td> <td>"</td> <td>V-675</td> <td>122</td> <td>1/2</td> <td>2900</td> <td>1\"/&gt; 
<tr> <td>U-50</td> <td>"</td> <td>"</td> <td>V-675</td> <td>122</td> <td>1/2</td> <td>2900</td> <td>1\"/&gt;  </td></tr></td></tr></td></tr>   | U-48 | " | " | V-675 | 122 | 1/2 | 2900 | 1\"/> <tr> <td>U-49</td> <td>"</td> <td>"</td> <td>V-675</td> <td>122</td> <td>1/2</td> <td>2900</td> <td>1\"/&gt;  <tr> <td>U-50</td> <td>"</td> <td>"</td> <td>V-675</td> <td>122</td> <td>1/2</td> <td>2900</td> <td>1\"/&gt;  </td></tr></td></tr>   | U-49 | " | " | V-675 | 122 | 1/2 | 2900 | 1\"/> <tr> <td>U-50</td> <td>"</td> <td>"</td> <td>V-675</td> <td>122</td> <td>1/2</td> <td>2900</td> <td>1\"/&gt;  </td></tr>   | U-50 | " | " | V-675 | 122 | 1/2 | 2900 | 1\"/>   
  |      |   |   |       |     |     |      |  |      |   |   |       |     |     |      |  |      |   |   |       |     |     |      |  |      |   |   |       |     |     |      |  |      |   |   |       |     |     |      | | | | | | | | | | | | | | | | | | | | | | | | | |
   |      |   |   |       |     |     |      |  |      |   |   |       |     |     |      |  |      |   |   |       |     |     |      |  |      |   |   |       |     |     |      |  |      |   |   |       |     |     |      |  |      |   |   |       |     |     |      |  |      |   |   |       |     |     |      |   
  |      |   |   |       |     |     |      |  |      |   |   |       |     |     |      |  |      |   |   |       |     |     |      |  |      |   |   |       |     |     |      |  |      |   |   |       |     |     |      |  |      |   |   |       |     |     |      |  |      |   |   |       |     |     |      |  |      |   |   |       |     |     |      |       |
| U-16 | "             | "                       | V-675    | 122  | 1/2           | 2900    | 1\"/> <tr> <td>U-17</td> <td>"</td> <td>"</td> <td>V-675</td> <td>122</td> <td>1/2</td> <td>2900</td> <td>1\"/&gt;  <tr> <td>U-18</td> <td>"</td> <td>"</td> <td>V-675</td> <td>122</td> <td>1/2</td> <td>2900</td> <td>1\"/&gt;  <tr> <td>U-19</td> <td>"</td> <td>"</td> <td>V-675</td> <td>122</td> <td>1/2</td> <td>2900</td> <td>1\"/&gt;  <tr> <td>U-20</td> <td>"</td> <td>"</td> <td>V-675</td> <td>122</td> <td>1/2</td> <td>2900</td> <td>1\"/&gt;  <tr> <td>U-21</td> <td>"</td> <td>"</td> <td>V-675</td> <td>122</td> <td>1/2</td> <td>2900</td> <td>1\"/&gt;  <tr> <td>U-22</td> <td>"</td> <td>"</td> <td>V-675</td> <td>122</td> <td>1/2</td> <td>2900</td> <td>1\"/&gt;  <tr> <td>U-23</td> <td>"</td> <td>"</td> <td>V-675</td> <td>122</td> <td>1/2</td> <td>2900</td> <td>1\"/&gt;  <tr> <td>U-24</td> <td>"</td> <td>"</td> <td>V-675</td> <td>122</td> <td>1/2</td> <td>2900</td> <td>1\"/&gt;  <tr> <td>U-25</td> <td>"</td> <td>"</td> <td>V-675</td> <td>122</td> <td>1/2</td> <td>2900</td> <td>1\"/&gt;  <tr> <td>U-26</td> <td>"</td> <td>"</td> <td>V-675</td> <td>122</td> <td>1/2</td> <td>2900</td> <td>1\"/&gt;  <tr> <td>U-27</td> <td>"</td> <td>"</td> <td>V-675</td> <td>122</td> <td>1/2</td> <td>2900</td> <td>1\"/&gt;  <tr> <td>U-28</td> <td>"</td> <td>"</td> <td>V-675</td> <td>122</td> <td>1/2</td> <td>2900</td> <td>1\"/&gt;  <tr> <td>U-29</td> <td>"</td> <td>"</td> <td>V-675</td> <td>122</td> <td>1/2</td> <td>2900</td> <td>1\"/&gt;  <tr> <td>U-30</td> <td>"</td> <td>"</td> <td>V-675</td> <td>122</td> <td>1/2</td> <td>2900</td> <td>1\"/&gt;  <tr> <td>U-31</td> <td>"</td> <td>"</td> <td>V-675</td> <td>122</td> <td>1/2</td> <td>2900</td> <td>1\"/&gt;  <tr> <td>U-32</td> <td>"</td> <td>"</td> <td>V-675</td> <td>122</td> <td>1/2</td> <td>2900</td> <td>1\"/&gt;  <tr> <td>U-33</td> <td>"</td> <td>"</td> <td>V-675</td> <td>122</td> <td>1/2</td> <td>2900</td> <td>1\"/&gt;  <tr> <td>U-34</td> <td>"</td> <td>"</td> <td>V-675</td> <td>122</td> <td>1/2</td> <td>2900</td> <td>1\"/&gt;  <tr> <td>U-35</td> <td>"</td> <td>"</td> <td>V-675</td> <td>122</td> <td>1/2</td> <td>2900</td> <td>1\"/&gt;  <tr> <td>U-36</td> <td>"</td> <td>"</td> <td>V-675</td> <td>122</td> <td>1/2</td> <td>2900</td> <td>1\"/&gt;  <tr> <td>U-37</td> <td>"</td> <td>"</td> <td>V-675</td> <td>122</td> <td>1/2</td> <td>2900</td> <td>1\"/&gt;  <tr> <td>U-38</td> <td>"</td> <td>"</td> <td>V-675</td> <td>122</td> <td>1/2</td> <td>2900</td> <td>1\"/&gt;  <tr> <td>U-39</td> <td>"</td> <td>"</td> <td>V-675</td> <td>122</td> <td>1/2</td> <td>2900</td> <td>1\"/&gt;  <tr> <td>U-40</td> <td>"</td> <td>"</td> <td>V-675</td> <td>122</td> <td>1/2</td> <td>2900</td> <td>1\"/&gt;  <tr> <td>U-41</td> <td>"</td> <td>"</td> <td>V-675</td> <td>122</td> <td>1/2</td> <td>2900</td> <td>1\"/&gt;  <tr> <td>U-42</td> <td>"</td> <td>"</td> <td>V-675</td> <td>122</td> <td>1/2</td> <td>2900</td> <td>1\"/&gt;  <tr> <td>U-43</td> <td>"</td> <td>"</td> <td>V-675</td> <td>122</td> <td>1/2</td> <td>2900</td> <td>1\"/&gt;  <tr> <td>U-44</td> <td>"</td> <td>"</td> <td>V-675</td> <td>122</td> <td>1/2</td> <td>2900</td> <td>1\"/&gt;  <tr> <td>U-45</td> <td>"</td> <td>"</td> <td>V-675</td> <td>122</td> <td>1/2</td> <td>2900</td> <td>1\"/&gt;  <tr> <td>U-46</td> <td>"</td> <td>"</td> <td>V-675</td> <td>122</td> <td>1/2</td> <td>2900</td> <td>1\"/&gt;  <tr> <td>U-47</td> <td>"</td> <td>"</td> <td>V-675</td> <td>122</td> <td>1/2</td> <td>2900</td> <td>1\"/&gt;  <tr> <td>U-48</td> <td>"</td> <td>"</td> <td>V-675</td> <td>122</td> <td>1/2</td> <td>2900</td> <td>1\"/&gt;  <tr> <td>U-49</td> <td>"</td> <td>"</td> <td>V-675</td> <td>122</td> <td>1/2</td> <td>2900</td> <td>1\"/&gt;  <tr> <td>U-50</td> <td>"</td> <td>"</td> <td>V-675</td> <td>122</td> <td>1/2</td> <td>2900</td> <td>1\"/&gt;  </td></tr></td></tr></td></tr></td></tr></td></tr></td></tr></td></tr></td></tr></td></tr></td></tr></td></tr></td></tr></td></tr></td></tr></td></tr></td></tr></td></tr></td></tr></td></tr></td></tr></td></tr></td></tr></td></tr></td></tr></td></tr></td></tr></td></tr></td></tr></td></tr></td></tr></td></tr></td></tr></td></tr></td></tr>  | U-17 | " | " | V-675  | 122  | 1/2 | 2900   | 1\"/> <tr> <td>U-18</td> <td>"</td> <td>"</td> <td>V-675</td> <td>122</td> <td>1/2</td> <td>2900</td> <td>1\"/&gt;  <tr> <td>U-19</td> <td>"</td> <td>"</td> <td>V-675</td> <td>122</td> <td>1/2</td> <td>2900</td> <td>1\"/&gt;  <tr> <td>U-20</td> <td>"</td> <td>"</td> <td>V-675</td> <td>122</td> <td>1/2</td> <td>2900</td> <td>1\"/&gt;  <tr> <td>U-21</td> <td>"</td> <td>"</td> <td>V-675</td> <td>122</td> <td>1/2</td> <td>2900</td> <td>1\"/&gt;  <tr> <td>U-22</td> <td>"</td> <td>"</td> <td>V-675</td> <td>122</td> <td>1/2</td> <td>2900</td> <td>1\"/&gt;  <tr> <td>U-23</td> <td>"</td> <td>"</td> <td>V-675</td> <td>122</td> <td>1/2</td> <td>2900</td> <td>1\"/&gt;  <tr> <td>U-24</td> <td>"</td> <td>"</td> <td>V-675</td> <td>122</td> <td>1/2</td> <td>2900</td> <td>1\"/&gt;  <tr> <td>U-25</td> <td>"</td> <td>"</td> <td>V-675</td> <td>122</td> <td>1/2</td> <td>2900</td> <td>1\"/&gt;  <tr> <td>U-26</td> <td>"</td> <td>"</td> <td>V-675</td> <td>122</td> <td>1/2</td> <td>2900</td> <td>1\"/&gt;  <tr> <td>U-27</td> <td>"</td> <td>"</td> <td>V-675</td> <td>122</td> <td>1/2</td> <td>2900</td> <td>1\"/&gt;  <tr> <td>U-28</td> <td>"</td> <td>"</td> <td>V-675</td> <td>122</td> <td>1/2</td> <td>2900</td> <td>1\"/&gt;  <tr> <td>U-29</td> <td>"</td> <td>"</td> <td>V-675</td> <td>122</td> <td>1/2</td> <td>2900</td> <td>1\"/&gt;  <tr> <td>U-30</td> <td>"</td> <td>"</td> <td>V-675</td> <td>122</td> <td>1/2</td> <td>2900</td> <td>1\"/&gt;  <tr> <td>U-31</td> <td>"</td> <td>"</td> <td>V-675</td> <td>122</td> <td>1/2</td> <td>2900</td> <td>1\"/&gt;  <tr> <td>U-32</td> <td>"</td> <td>"</td> <td>V-675</td> <td>122</td> <td>1/2</td> <td>2900</td> <td>1\"/&gt;  <tr> <td>U-33</td> <td>"</td> <td>"</td> <td>V-675</td> <td>122</td> <td>1/2</td> <td>2900</td> <td>1\"/&gt;  <tr> <td>U-34</td> <td>"</td> <td>"</td> <td>V-675</td> <td>122</td> <td>1/2</td> <td>2900</td> <td>1\"/&gt;  <tr> <td>U-35</td> <td>"</td> <td>"</td> <td>V-675</td> <td>122</td> <td>1/2</td> <td>2900</td> <td>1\"/&gt;  <tr> <td>U-36</td> <td>"</td> <td>"</td> <td>V-675</td> <td>122</td> <td>1/2</td> <td>2900</td> <td>1\"/&gt;  <tr> <td>U-37</td> <td>"</td> <td>"</td> <td>V-675</td> <td>122</td> <td>1/2</td> <td>2900</td> <td>1\"/&gt;  <tr> <td>U-38</td> <td>"</td> <td>"</td> <td>V-675</td> <td>122</td> <td>1/2</td> <td>2900</td> <td>1\"/&gt;  <tr> <td>U-39</td> <td>"</td> <td>"</td> <td>V-675</td> <td>122</td> <td>1/2</td> <td>2900</td> <td>1\"/&gt;  <tr> <td>U-40</td> <td>"</td> <td>"</td> <td>V-675</td> <td>122</td> <td>1/2</td> <td>2900</td> <td>1\"/&gt;  <tr> <td>U-41</td> <td>"</td> <td>"</td> <td>V-675</td> <td>122</td> <td>1/2</td> <td>2900</td> <td>1\"/&gt;  <tr> <td>U-42</td> <td>"</td> <td>"</td> <td>V-675</td> <td>122</td> <td>1/2</td> <td>2900</td> <td>1\"/&gt;  <tr> <td>U-43</td> <td>"</td> <td>"</td> <td>V-675</td> <td>122</td> <td>1/2</td> <td>2900</td> <td>1\"/&gt;  <tr> <td>U-44</td> <td>"</td> <td>"</td> <td>V-675</td> <td>122</td> <td>1/2</td> <td>2900</td> <td>1\"/&gt;  <tr> <td>U-45</td> <td>"</td> <td>"</td> <td>V-675</td> <td>122</td> <td>1/2</td> <td>2900</td> <td>1\"/&gt;  <tr> <td>U-46</td> <td>"</td> <td>"</td> <td>V-675</td> <td>122</td> <td>1/2</td> <td>2900</td> <td>1\"/&gt;  <tr> <td>U-47</td> <td>"</td> <td>"</td> <td>V-675</td> <td>122</td> <td>1/2</td> <td>2900</td> <td>1\"/&gt; 
<tr> <td>U-48</td> <td>"</td> <td>"</td> <td>V-675</td> <td>122</td> <td>1/2</td> <td>2900</td> <td>1\"/&gt;  <tr> <td>U-49</td> <td>"</td> <td>"</td> <td>V-675</td> <td>122</td> <td>1/2</td> <td>2900</td> <td>1\"/&gt;  <tr> <td>U-50</td> <td>"</td> <td>"</td> <td>V-675</td> <td>122</td> <td>1/2</td> <td>2900</td> <td>1\"/&gt;  </td></tr></td></tr></td></tr></td></tr></td></tr></td></tr></td></tr></td></tr></td></tr></td></tr></td></tr></td></tr></td></tr></td></tr></td></tr></td></tr></td></tr></td></tr></td></tr></td></tr></td></tr></td></tr></td></tr></td></tr></td></tr></td></tr></td></tr></td></tr></td></tr></td></tr></td></tr></td></tr></td></tr>   | U-18 | " | " | V-675  | 122 | 1/2 | 2900   | 1\"/> <tr> <td>U-19</td> <td>"</td> <td>"</td> <td>V-675</td> <td>122</td> <td>1/2</td> <td>2900</td> <td>1\"/&gt;  <tr> <td>U-20</td> <td>"</td> <td>"</td> <td>V-675</td> <td>122</td> <td>1/2</td> <td>2900</td> <td>1\"/&gt;  <tr> <td>U-21</td> <td>"</td> <td>"</td> <td>V-675</td> <td>122</td> <td>1/2</td> <td>2900</td> <td>1\"/&gt;  <tr> <td>U-22</td> <td>"</td> <td>"</td> <td>V-675</td> <td>122</td> <td>1/2</td> <td>2900</td> <td>1\"/&gt;  <tr> <td>U-23</td> <td>"</td> <td>"</td> <td>V-675</td> <td>122</td> <td>1/2</td> <td>2900</td> <td>1\"/&gt;  <tr> <td>U-24</td> <td>"</td> <td>"</td> <td>V-675</td> <td>122</td> <td>1/2</td> <td>2900</td> <td>1\"/&gt;  <tr> <td>U-25</td> <td>"</td> <td>"</td> <td>V-675</td> <td>122</td> <td>1/2</td> <td>2900</td> <td>1\"/&gt;  <tr> <td>U-26</td> <td>"</td> <td>"</td> <td>V-675</td> <td>122</td> <td>1/2</td> <td>2900</td> <td>1\"/&gt;  <tr> <td>U-27</td> <td>"</td> <td>"</td> <td>V-675</td> <td>122</td> <td>1/2</td> <td>2900</td> <td>1\"/&gt;  <tr> <td>U-28</td> <td>"</td> <td>"</td> <td>V-675</td> <td>122</td> <td>1/2</td> <td>2900</td> <td>1\"/&gt;  <tr> <td>U-29</td> <td>"</td> <td>"</td> <td>V-675</td> <td>122</td> <td>1/2</td> <td>2900</td> <td>1\"/&gt;  <tr> <td>U-30</td> <td>"</td> <td>"</td> <td>V-675</td> <td>122</td> <td>1/2</td> <td>2900</td> <td>1\"/&gt;  <tr> <td>U-31</td> <td>"</td> <td>"</td> <td>V-675</td> <td>122</td> <td>1/2</td> <td>2900</td> <td>1\"/&gt;  <tr> <td>U-32</td> <td>"</td> <td>"</td> <td>V-675</td> <td>122</td> <td>1/2</td> <td>2900</td> <td>1\"/&gt;  <tr> <td>U-33</td> <td>"</td> <td>"</td> <td>V-675</td> <td>122</td> <td>1/2</td> <td>2900</td> <td>1\"/&gt;  <tr> <td>U-34</td> <td>"</td> <td>"</td> <td>V-675</td> <td>122</td> <td>1/2</td> <td>2900</td> <td>1\"/&gt;  <tr> <td>U-35</td> <td>"</td> <td>"</td> <td>V-675</td> <td>122</td> <td>1/2</td> <td>2900</td> <td>1\"/&gt;  <tr> <td>U-36</td> <td>"</td> <td>"</td> <td>V-675</td> <td>122</td> <td>1/2</td> <td>2900</td> <td>1\"/&gt;  <tr> <td>U-37</td> <td>"</td> <td>"</td> <td>V-675</td> <td>122</td> <td>1/2</td> <td>2900</td> <td>1\"/&gt;  <tr> <td>U-38</td> <td>"</td> <td>"</td> <td>V-675</td> <td>122</td> <td>1/2</td> <td>2900</td> <td>1\"/&gt;  <tr> <td>U-39</td> <td>"</td> <td>"</td> <td>V-675</td> <td>122</td> <td>1/2</td> <td>2900</td> <td>1\"/&gt;  <tr> <td>U-40</td> <td>"</td> <td>"</td> <td>V-675</td> <td>122</td> <td>1/2</td> <td>2900</td> <td>1\"/&gt;  <tr> <td>U-41</td> <td>"</td> <td>"</td> <td>V-675</td> <td>122</td> <td>1/2</td> <td>2900</td> <td>1\"/&gt;  <tr> <td>U-42</td> <td>"</td> <td>"</td> <td>V-675</td> <td>122</td> <td>1/2</td> <td>2900</td> <td>1\"/&gt;  <tr> <td>U-43</td> <td>"</td> <td>"</td> <td>V-675</td> <td>122</td> <td>1/2</td> <td>2900</td> <td>1\"/&gt;  <tr> <td>U-44</td> <td>"</td> <td>"</td> <td>V-675</td> <td>122</td> <td>1/2</td> <td>2900</td> <td>1\"/&gt;  <tr> <td>U-45</td> <td>"</td> <td>"</td> <td>V-675</td> <td>122</td> <td>1/2</td> <td>2900</td> <td>1\"/&gt;  <tr> <td>U-46</td> <td>"</td> <td>"</td> <td>V-675</td> <td>122</td> <td>1/2</td> <td>2900</td> <td>1\"/&gt;  <tr> <td>U-47</td> <td>"</td> <td>"</td> <td>V-675</td> <td>122</td> <td>1/2</td> <td>2900</td> <td>1\"/&gt;  <tr> <td>U-48</td> <td>"</td> <td>"</td> <td>V-675</td> <td>122</td> <td>1/2</td> <td>2900</td> <td>1\"/&gt;  <tr> <td>U-49</td> <td>"</td> <td>"</td> <td>V-675</td> <td>122</td> <td>1/2</td> <td>2900</td> <td>1\"/&gt;  <tr> <td>U-50</td> <td>"</td> <td>"</td> <td>V-675</td> <td>122</td> <td>1/2</td> <td>2900</td> <td>1\"/&gt;  </td></tr></td></tr></td></tr></td></tr></td></tr></td></tr></td></tr></td></tr></td></tr></td></tr></td></tr></td></tr></td></tr></td></tr></td></tr></td></tr></td></tr></td></tr></td></tr></td></tr></td></tr></td></tr></td></tr></td></tr></td></tr></td></tr></td></tr></td></tr></td></tr></td></tr></td></tr></td></tr>   | U-19 | " | " | V-675 | 122 | 1/2 | 2900    | 1\"/> <tr> <td>U-20</td> <td>"</td> <td>"</td> <td>V-675</td> <td>122</td> <td>1/2</td> <td>2900</td> <td>1\"/&gt;  <tr> <td>U-21</td> <td>"</td> <td>"</td> <td>V-675</td> <td>122</td> <td>1/2</td> <td>2900</td> <td>1\"/&gt;  <tr> <td>U-22</td> <td>"</td> <td>"</td> <td>V-675</td> <td>122</td> <td>1/2</td> <td>2900</td> <td>1\"/&gt;  <tr> <td>U-23</td> <td>"</td> <td>"</td> <td>V-675</td> <td>122</td> <td>1/2</td> <td>2900</td> <td>1\"/&gt;  <tr> <td>U-24</td> <td>"</td> <td>"</td> <td>V-675</td> <td>122</td> <td>1/2</td> <td>2900</td> <td>1\"/&gt;  <tr> <td>U-25</td> <td>"</td> <td>"</td> <td>V-675</td> <td>122</td> <td>1/2</td> <td>2900</td> <td>1\"/&gt;  <tr> <td>U-26</td> <td>"</td> <td>"</td> <td>V-675</td> <td>122</td> <td>1/2</td> <td>2900</td> <td>1\"/&gt;  <tr> <td>U-27</td> <td>"</td> <td>"</td> <td>V-675</td> <td>122</td> <td>1/2</td> <td>2900</td> <td>1\"/&gt;  <tr> <td>U-28</td> <td>"</td> <td>"</td> <td>V-675</td> <td>122</td> <td>1/2</td> <td>2900</td> <td>1\"/&gt;  <tr> <td>U-29</td> <td>"</td> <td>"</td> <td>V-675</td> <td>122</td> <td>1/2</td> <td>2900</td> <td>1\"/&gt;  <tr> <td>U-30</td> <td>"</td> <td>"</td> <td>V-675</td> <td>122</td> <td>1/2</td> <td>2900</td> <td>1\"/&gt;  <tr> <td>U-31</td> <td>"</td> <td>"</td> <td>V-675</td> <td>122</td> <td>1/2</td> <td>2900</td> <td>1\"/&gt;  <tr> <td>U-32</td> <td>"</td> <td>"</td> <td>V-675</td> <td>122</td> <td>1/2</td> <td>2900</td> <td>1\"/&gt;  <tr> <td>U-33</td> <td>"</td> <td>"</td> <td>V-675</td> <td>122</td> <td>1/2</td> <td>2900</td> <td>1\"/&gt;  <tr> <td>U-34</td> <td>"</td> <td>"</td> <td>V-675</td> <td>122</td> <td>1/2</td> <td>2900</td> <td>1\"/&gt;  <tr> <td>U-35</td> <td>"</td> <td>"</td> <td>V-675</td> <td>122</td> <td>1/2</td> <td>2900</td> <td>1\"/&gt;  <tr> <td>U-36</td> <td>"</td> <td>"</td>
<td>V-675</td> <td>122</td> <td>1/2</td> <td>2900</td> <td>1\"/&gt;  <tr> <td>U-37</td> <td>"</td> <td>"</td> <td>V-675</td> <td>122</td> <td>1/2</td> <td>2900</td> <td>1\"/&gt;  <tr> <td>U-38</td> <td>"</td> <td>"</td> <td>V-675</td> <td>122</td> <td>1/2</td> <td>2900</td> <td>1\"/&gt;  <tr> <td>U-39</td> <td>"</td> <td>"</td> <td>V-675</td> <td>122</td> <td>1/2</td> <td>2900</td> <td>1\"/&gt;  <tr> <td>U-40</td> <td>"</td> <td>"</td> <td>V-675</td> <td>122</td> <td>1/2</td> <td>2900</td> <td>1\"/&gt;  <tr> <td>U-41</td> <td>"</td> <td>"</td> <td>V-675</td> <td>122</td> <td>1/2</td> <td>2900</td> <td>1\"/&gt;  <tr> <td>U-42</td> <td>"</td> <td>"</td> <td>V-675</td> <td>122</td> <td>1/2</td> <td>2900</td> <td>1\"/&gt;  <tr> <td>U-43</td> <td>"</td> <td>"</td> <td>V-675</td> <td>122</td> <td>1/2</td> <td>2900</td> <td>1\"/&gt;  <tr> <td>U-44</td> <td>"</td> <td>"</td> <td>V-675</td> <td>122</td> <td>1/2</td> <td>2900</td> <td>1\"/&gt;  <tr> <td>U-45</td> <td>"</td> <td>"</td> <td>V-675</td> <td>122</td> <td>1/2</td> <td>2900</td> <td>1\"/&gt;  <tr> <td>U-46</td> <td>"</td> <td>"</td> <td>V-675</td> <td>122</td> <td>1/2</td> <td>2900</td> <td>1\"/&gt;  <tr> <td>U-47</td> <td>"</td> <td>"</td> <td>V-675</td> <td>122</td> <td>1/2</td> <td>2900</td> <td>1\"/&gt;  <tr> <td>U-48</td> <td>"</td> <td>"</td> <td>V-675</td> <td>122</td> <td>1/2</td> <td>2900</td> <td>1\"/&gt;  <tr> <td>U-49</td> <td>"</td> <td>"</td> <td>V-675</td> <td>122</td> <td>1/2</td> <td>2900</td> <td>1\"/&gt;  <tr> <td>U-50</td> <td>"</td> <td>"</td> <td>V-675</td> <td>122</td> <td>1/2</td> <td>2900</td> <td>1\"/&gt;  </td></tr></td></tr></td></tr></td></tr></td></tr></td></tr></td></tr></td></tr></td></tr></td></tr></td></tr></td></tr></td></tr></td></tr></td></tr></td></tr></td></tr></td></tr></td></tr></td></tr></td></tr></td></tr></td></tr></td></tr></td></tr></td></tr></td></tr></td></tr></td></tr></td></tr></td></tr>  | U-20 | " | " | V-675 | 122 | 1/2 | 2900   | 1\"/> <tr> <td>U-21</td> <td>"</td> <td>"</td> <td>V-675</td> <td>122</td> <td>1/2</td> <td>2900</td> <td>1\"/&gt;  <tr> <td>U-22</td> <td>"</td> <td>"</td> <td>V-675</td> <td>122</td> <td>1/2</td> <td>2900</td> <td>1\"/&gt;  <tr> <td>U-23</td> <td>"</td> <td>"</td> <td>V-675</td> <td>122</td> <td>1/2</td> <td>2900</td> <td>1\"/&gt;  <tr> <td>U-24</td> <td>"</td> <td>"</td> <td>V-675</td> <td>122</td> <td>1/2</td> <td>2900</td> <td>1\"/&gt;  <tr> <td>U-25</td> <td>"</td> <td>"</td> <td>V-675</td> <td>122</td> <td>1/2</td> <td>2900</td> <td>1\"/&gt;  <tr> <td>U-26</td> <td>"</td> <td>"</td> <td>V-675</td> <td>122</td> <td>1/2</td> <td>2900</td> <td>1\"/&gt;  <tr> <td>U-27</td> <td>"</td> <td>"</td> <td>V-675</td> <td>122</td> <td>1/2</td> <td>2900</td> <td>1\"/&gt;  <tr> <td>U-28</td> <td>"</td> <td>"</td> <td>V-675</td> <td>122</td> <td>1/2</td> <td>2900</td> <td>1\"/&gt;  <tr> <td>U-29</td> <td>"</td> <td>"</td> <td>V-675</td> <td>122</td> <td>1/2</td> <td>2900</td> <td>1\"/&gt;  <tr> <td>U-30</td> <td>"</td> <td>"</td> <td>V-675</td> <td>122</td> <td>1/2</td> <td>2900</td> <td>1\"/&gt;  <tr> <td>U-31</td> <td>"</td> <td>"</td> <td>V-675</td> <td>122</td> <td>1/2</td> <td>2900</td> <td>1\"/&gt;  <tr> <td>U-32</td> <td>"</td> <td>"</td> <td>V-675</td> <td>122</td> <td>1/2</td> <td>2900</td> <td>1\"/&gt;  <tr> <td>U-33</td> <td>"</td> <td>"</td> <td>V-675</td> <td>122</td> <td>1/2</td> <td>2900</td> <td>1\"/&gt;  <tr> <td>U-34</td> <td>"</td> <td>"</td> <td>V-675</td> <td>122</td> <td>1/2</td> <td>2900</td> <td>1\"/&gt;  <tr> <td>U-35</td> <td>"</td> <td>"</td> <td>V-675</td> <td>122</td> <td>1/2</td> <td>2900</td> <td>1\"/&gt;  <tr> <td>U-36</td> <td>"</td> <td>"</td> <td>V-675</td> <td>122</td> <td>1/2</td> <td>2900</td> <td>1\"/&gt;  <tr> <td>U-37</td> <td>"</td> <td>"</td> <td>V-675</td> <td>122</td> <td>1/2</td> <td>2900</td> <td>1\"/&gt;  <tr> <td>U-38</td> <td>"</td> <td>"</td> <td>V-675</td> <td>122</td> <td>1/2</td> <td>2900</td> <td>1\"/&gt;  <tr> <td>U-39</td> <td>"</td> <td>"</td> <td>V-675</td> <td>122</td> <td>1/2</td> <td>2900</td> <td>1\"/&gt;  <tr> <td>U-40</td> <td>"</td> <td>"</td> <td>V-675</td> <td>122</td> <td>1/2</td> <td>2900</td> <td>1\"/&gt;  <tr> <td>U-41</td> <td>"</td> <td>"</td> <td>V-675</td> <td>122</td> <td>1/2</td> <td>2900</td> <td>1\"/&gt;  <tr> <td>U-42</td> <td>"</td> <td>"</td> <td>V-675</td> <td>122</td> <td>1/2</td> <td>2900</td> <td>1\"/&gt;  <tr> <td>U-43</td> <td>"</td> <td>"</td> <td>V-675</td> <td>122</td> <td>1/2</td> <td>2900</td> <td>1\"/&gt;  <tr> <td>U-44</td> <td>"</td> <td>"</td> <td>V-675</td> <td>122</td> <td>1/2</td> <td>2900</td> <td>1\"/&gt;  <tr> <td>U-45</td> <td>"</td> <td>"</td> <td>V-675</td> <td>122</td> <td>1/2</td> <td>2900</td> <td>1\"/&gt;  <tr> <td>U-46</td> <td>"</td> <td>"</td> <td>V-675</td> <td>122</td> <td>1/2</td> <td>2900</td> <td>1\"/&gt;  <tr> <td>U-47</td> <td>"</td> <td>"</td> <td>V-675</td> <td>122</td> <td>1/2</td> <td>2900</td> <td>1\"/&gt;  <tr> <td>U-48</td> <td>"</td> <td>"</td> <td>V-675</td> <td>122</td> <td>1/2</td> <td>2900</td> <td>1\"/&gt;  <tr> <td>U-49</td> <td>"</td> <td>"</td> <td>V-675</td> <td>122</td> <td>1/2</td> <td>2900</td> <td>1\"/&gt;  <tr> <td>U-50</td> <td>"</td> <td>"</td> <td>V-675</td> <td>122</td> <td>1/2</td> <td>2900</td> <td>1\"/&gt;  </td></tr></td></tr></td></tr></td></tr></td></tr></td></tr></td></tr></td></tr></td></tr></td></tr></td></tr></td></tr></td></tr></td></tr></td></tr></td></tr></td></tr></td></tr></td></tr></td></tr></td></tr></td></tr></td></tr></td></tr></td></tr></td></tr></td></tr></td></tr></td></tr></td></tr>   | U-21 | " | " | V-675 | 122 | 1/2 | 2900    | 1\"/> <tr> <td>U-22</td> <td>"</td> <td>"</td> <td>V-675</td> <td>122</td> <td>1/2</td> <td>2900</td> <td>1\"/&gt;  <tr> <td>U-23</td> <td>"</td> <td>"</td> <td>V-675</td> <td>122</td> <td>1/2</td> <td>2900</td> <td>1\"/&gt;  <tr> <td>U-24</td> <td>"</td> <td>"</td> <td>V-675</td> <td>122</td> <td>1/2</td> <td>2900</td> <td>1\"/&gt;  <tr> <td>U-25</td> <td>"</td> <td>"</td> <td>V-675</td> <td>122</td> <td>1/2</td> <td>2900</td> <td>1\"/&gt;  <tr> <td>U-26</td> <td>"</td> <td>"</td> <td>V-675</td> <td>122</td> <td>1/2</td> <td>2900</td> <td>1\"/&gt;  <tr> <td>U-27</td> <td>"</td> <td>"</td> <td>V-675</td> <td>122</td> <td>1/2</td> <td>2900</td> <td>1\"/&gt;  <tr> <td>U-28</td> <td>"</td> <td>"</td> <td>V-675</td> <td>122</td> <td>1/2</td> <td>2900</td> <td>1\"/&gt;  <tr>
<td>U-29</td> <td>"</td> <td>"</td> <td>V-675</td> <td>122</td> <td>1/2</td> <td>2900</td> <td>1\"/&gt;  <tr> <td>U-30</td> <td>"</td> <td>"</td> <td>V-675</td> <td>122</td> <td>1/2</td> <td>2900</td> <td>1\"/&gt;  <tr> <td>U-31</td> <td>"</td> <td>"</td> <td>V-675</td> <td>122</td> <td>1/2</td> <td>2900</td> <td>1\"/&gt;  <tr> <td>U-32</td> <td>"</td> <td>"</td> <td>V-675</td> <td>122</td> <td>1/2</td> <td>2900</td> <td>1\"/&gt;  <tr> <td>U-33</td> <td>"</td> <td>"</td> <td>V-675</td> <td>122</td> <td>1/2</td> <td>2900</td> <td>1\"/&gt;  <tr> <td>U-34</td> <td>"</td> <td>"</td> <td>V-675</td> <td>122</td> <td>1/2</td> <td>2900</td> <td>1\"/&gt;  <tr> <td>U-35</td> <td>"</td> <td>"</td> <td>V-675</td> <td>122</td> <td>1/2</td> <td>2900</td> <td>1\"/&gt;  <tr> <td>U-36</td> <td>"</td> <td>"</td> <td>V-675</td> <td>122</td> <td>1/2</td> <td>2900</td> <td>1\"/&gt;  <tr> <td>U-37</td> <td>"</td> <td>"</td> <td>V-675</td> <td>122</td> <td>1/2</td> <td>2900</td> <td>1\"/&gt;  <tr> <td>U-38</td> <td>"</td> <td>"</td> <td>V-675</td> <td>122</td> <td>1/2</td> <td>2900</td> <td>1\"/&gt;  <tr> <td>U-39</td> <td>"</td> <td>"</td> <td>V-675</td> <td>122</td> <td>1/2</td> <td>2900</td> <td>1\"/&gt;  <tr> <td>U-40</td> <td>"</td> <td>"</td> <td>V-675</td> <td>122</td> <td>1/2</td> <td>2900</td> <td>1\"/&gt;  <tr> <td>U-41</td> <td>"</td> <td>"</td> <td>V-675</td> <td>122</td> <td>1/2</td> <td>2900</td> <td>1\"/&gt;  <tr> <td>U-42</td> <td>"</td> <td>"</td> <td>V-675</td> <td>122</td> <td>1/2</td> <td>2900</td> <td>1\"/&gt;  <tr> <td>U-43</td> <td>"</td> <td>"</td> <td>V-675</td> <td>122</td> <td>1/2</td> <td>2900</td> <td>1\"/&gt;  <tr> <td>U-44</td> <td>"</td> <td>"</td> <td>V-675</td> <td>122</td> <td>1/2</td> <td>2900</td> <td>1\"/&gt;  <tr> <td>U-45</td> <td>"</td> <td>"</td> <td>V-675</td> <td>122</td> <td>1/2</td> <td>2900</td> <td>1\"/&gt;  <tr> <td>U-46</td> <td>"</td> <td>"</td> <td>V-675</td> <td>122</td> <td>1/2</td> <td>2900</td> <td>1\"/&gt;  <tr> <td>U-47</td> <td>"</td> <td>"</td> <td>V-675</td> <td>122</td> <td>1/2</td> <td>2900</td> <td>1\"/&gt;  <tr> <td>U-48</td> <td>"</td> <td>"</td> <td>V-675</td> <td>122</td> <td>1/2</td> <td>2900</td> <td>1\"/&gt;  <tr> <td>U-49</td> <td>"</td> <td>"</td> <td>V-675</td> <td>122</td> <td>1/2</td> <td>2900</td> <td>1\"/&gt;  <tr> <td>U-50</td> <td>"</td> <td>"</td> <td>V-675</td> <td>122</td> <td>1/2</td> <td>2900</td> <td>1\"/&gt;  </td></tr></td></tr></td></tr></td></tr></td></tr></td></tr></td></tr></td></tr></td></tr></td></tr></td></tr></td></tr></td></tr></td></tr></td></tr></td></tr></td></tr></td></tr></td></tr></td></tr></td></tr></td></tr></td></tr></td></tr></td></tr></td></tr></td></tr></td></tr></td></tr>  | U-22 | "           | "      | V-675  | 122  | 1/2 | 2900 | 1\"/> <tr> <td>U-23</td> <td>"</td> <td>"</td> <td>V-675</td> <td>122</td> <td>1/2</td> <td>2900</td> <td>1\"/&gt;  <tr> <td>U-24</td> <td>"</td> <td>"</td> <td>V-675</td> <td>122</td> <td>1/2</td> <td>2900</td> <td>1\"/&gt;  <tr> <td>U-25</td> <td>"</td> <td>"</td> <td>V-675</td> <td>122</td> <td>1/2</td> <td>2900</td> <td>1\"/&gt;  <tr> <td>U-26</td> <td>"</td> <td>"</td> <td>V-675</td> <td>122</td> <td>1/2</td> <td>2900</td> <td>1\"/&gt;  <tr> <td>U-27</td> <td>"</td> <td>"</td> <td>V-675</td> <td>122</td> <td>1/2</td> <td>2900</td> <td>1\"/&gt;  <tr> <td>U-28</td> <td>"</td> <td>"</td> <td>V-675</td> <td>122</td> <td>1/2</td> <td>2900</td> <td>1\"/&gt;  <tr> <td>U-29</td> <td>"</td> <td>"</td> <td>V-675</td> <td>122</td> <td>1/2</td> <td>2900</td> <td>1\"/&gt;  <tr> <td>U-30</td> <td>"</td> <td>"</td> <td>V-675</td> <td>122</td> <td>1/2</td> <td>2900</td> <td>1\"/&gt;  <tr> <td>U-31</td> <td>"</td> <td>"</td> <td>V-675</td> <td>122</td> <td>1/2</td> <td>2900</td> <td>1\"/&gt;  <tr> <td>U-32</td> <td>"</td> <td>"</td> <td>V-675</td> <td>122</td> <td>1/2</td> <td>2900</td> <td>1\"/&gt;  <tr> <td>U-33</td> <td>"</td> <td>"</td> <td>V-675</td> <td>122</td> <td>1/2</td> <td>2900</td> <td>1\"/&gt;  <tr> <td>U-34</td> <td>"</td> <td>"</td> <td>V-675</td> <td>122</td> <td>1/2</td> <td>2900</td> <td>1\"/&gt;  <tr> <td>U-35</td> <td>"</td> <td>"</td> <td>V-675</td> <td>122</td> <td>1/2</td> <td>2900</td> <td>1\"/&gt;  <tr> <td>U-36</td> <td>"</td> <td>"</td> <td>V-675</td> <td>122</td> <td>1/2</td> <td>2900</td> <td>1\"/&gt;  <tr> <td>U-37</td> <td>"</td> <td>"</td> <td>V-675</td> <td>122</td> <td>1/2</td> <td>2900</td> <td>1\"/&gt;  <tr> <td>U-38</td> <td>"</td> <td>"</td> <td>V-675</td> <td>122</td> <td>1/2</td> <td>2900</td> <td>1\"/&gt;  <tr> <td>U-39</td> <td>"</td> <td>"</td> <td>V-675</td> <td>122</td> <td>1/2</td> <td>2900</td> <td>1\"/&gt;  <tr> <td>U-40</td> <td>"</td> <td>"</td> <td>V-675</td> <td>122</td> <td>1/2</td> <td>2900</td> <td>1\"/&gt;  <tr> <td>U-41</td> <td>"</td> <td>"</td> <td>V-675</td> <td>122</td> <td>1/2</td> <td>2900</td> <td>1\"/&gt;  <tr> <td>U-42</td> <td>"</td> <td>"</td> <td>V-675</td> <td>122</td> <td>1/2</td> <td>2900</td> <td>1\"/&gt;  <tr> <td>U-43</td> <td>"</td> <td>"</td> <td>V-675</td> <td>122</td> <td>1/2</td> <td>2900</td> <td>1\"/&gt;  <tr> <td>U-44</td> <td>"</td> <td>"</td> <td>V-675</td> <td>122</td> <td>1/2</td> <td>2900</td> <td>1\"/&gt;  <tr> <td>U-45</td> <td>"</td> <td>"</td> <td>V-675</td> <td>122</td> <td>1/2</td> <td>2900</td> <td>1\"/&gt;  <tr> <td>U-46</td> <td>"</td> <td>"</td> <td>V-675</td> <td>122</td> <td>1/2</td> <td>2900</td> <td>1\"/&gt;  <tr> <td>U-47</td> <td>"</td> <td>"</td> <td>V-675</td> <td>122</td> <td>1/2</td> <td>2900</td> <td>1\"/&gt;  <tr> <td>U-48</td> <td>"</td> <td>"</td> <td>V-675</td> <td>122</td> <td>1/2</td> <td>2900</td> <td>1\"/&gt;  <tr> <td>U-49</td> <td>"</td> <td>"</td> <td>V-675</td> <td>122</td> <td>1/2</td> <td>2900</td> <td>1\"/&gt;  <tr> <td>U-50</td> <td>"</td> <td>"</td> <td>V-675</td> <td>122</td> <td>1/2</td> <td>2900</td> <td>1\"/&gt;  </td></tr></td></tr></td></tr></td></tr></td></tr></td></tr></td></tr></td></tr></td></tr></td></tr></td></tr></td></tr></td></tr></td></tr></td></tr></td></tr></td></tr></td></tr></td></tr></td></tr></td></tr></td></tr></td></tr></td></tr></td></tr></td></tr></td></tr></td></tr>   
  | U-23 | " | " | V-675  | 122  | 1/2 | 2900 | 1\"/> <tr> <td>U-24</td> <td>"</td> <td>"</td> <td>V-675</td> <td>122</td> <td>1/2</td> <td>2900</td> <td>1\"/&gt;  <tr> <td>U-25</td> <td>"</td> <td>"</td> <td>V-675</td> <td>122</td> <td>1/2</td> <td>2900</td> <td>1\"/&gt;  <tr> <td>U-26</td> <td>"</td> <td>"</td> <td>V-675</td> <td>122</td> <td>1/2</td> <td>2900</td> <td>1\"/&gt;  <tr> <td>U-27</td> <td>"</td> <td>"</td> <td>V-675</td> <td>122</td> <td>1/2</td> <td>2900</td> <td>1\"/&gt;  <tr> <td>U-28</td> <td>"</td> <td>"</td> <td>V-675</td> <td>122</td> <td>1/2</td> <td>2900</td> <td>1\"/&gt;  <tr> <td>U-29</td> <td>"</td> <td>"</td> <td>V-675</td> <td>122</td> <td>1/2</td> <td>2900</td> <td>1\"/&gt;  <tr> <td>U-30</td> <td>"</td> <td>"</td> <td>V-675</td> <td>122</td> <td>1/2</td> <td>2900</td> <td>1\"/&gt;  <tr> <td>U-31</td> <td>"</td> <td>"</td> <td>V-675</td> <td>122</td> <td>1/2</td> <td>2900</td> <td>1\"/&gt;  <tr> <td>U-32</td> <td>"</td> <td>"</td> <td>V-675</td> <td>122</td> <td>1/2</td> <td>2900</td> <td>1\"/&gt;  <tr> <td>U-33</td> <td>"</td> <td>"</td> <td>V-675</td> <td>122</td> <td>1/2</td> <td>2900</td> <td>1\"/&gt;  <tr> <td>U-34</td> <td>"</td> <td>"</td> <td>V-675</td> <td>122</td> <td>1/2</td> <td>2900</td> <td>1\"/&gt;  <tr> <td>U-35</td> <td>"</td> <td>"</td> <td>V-675</td> <td>122</td> <td>1/2</td> <td>2900</td> <td>1\"/&gt;  <tr> <td>U-36</td> <td>"</td> <td>"</td> <td>V-675</td> <td>122</td> <td>1/2</td> <td>2900</td> <td>1\"/&gt;  <tr> <td>U-37</td> <td>"</td> <td>"</td> <td>V-675</td> <td>122</td> <td>1/2</td> <td>2900</td> <td>1\"/&gt;  <tr> <td>U-38</td> <td>"</td> <td>"</td> <td>V-675</td> <td>122</td> <td>1/2</td> <td>2900</td> <td>1\"/&gt;  <tr> <td>U-39</td> <td>"</td> <td>"</td> <td>V-675</td> <td>122</td> <td>1/2</td> <td>2900</td> <td>1\"/&gt;  <tr> <td>U-40</td> <td>"</td> <td>"</td> <td>V-675</td> <td>122</td> <td>1/2</td> <td>2900</td> <td>1\"/&gt;  <tr> <td>U-41</td> <td>"</td> <td>"</td> <td>V-675</td> <td>122</td> <td>1/2</td> <td>2900</td> <td>1\"/&gt;  <tr> <td>U-42</td> <td>"</td> <td>"</td> <td>V-675</td> <td>122</td> <td>1/2</td> <td>2900</td> <td>1\"/&gt;  <tr> <td>U-43</td> <td>"</td> <td>"</td> <td>V-675</td> <td>122</td> <td>1/2</td> <td>2900</td> <td>1\"/&gt;  <tr> <td>U-44</td> <td>"</td> <td>"</td> <td>V-675</td> <td>122</td> <td>1/2</td> <td>2900</td> <td>1\"/&gt;  <tr> <td>U-45</td> <td>"</td> <td>"</td> <td>V-675</td> <td>122</td> <td>1/2</td> <td>2900</td> <td>1\"/&gt;  <tr> <td>U-46</td> <td>"</td> <td>"</td> <td>V-675</td> <td>122</td> <td>1/2</td> <td>2900</td> <td>1\"/&gt;  <tr> <td>U-47</td> <td>"</td> <td>"</td> <td>V-675</td> <td>122</td> <td>1/2</td> <td>2900</td> <td>1\"/&gt;  <tr> <td>U-48</td> <td>"</td> <td>"</td> <td>V-675</td> <td>122</td> <td>1/2</td> <td>2900</td> <td>1\"/&gt;  <tr> <td>U-49</td> <td>"</td> <td>"</td> <td>V-675</td> <td>122</td> <td>1/2</td> <td>2900</td> <td>1\"/&gt;  <tr> <td>U-50</td> <td>"</td> <td>"</td> <td>V-675</td> <td>122</td> <td>1/2</td> <td>2900</td> <td>1\"/&gt;  </td></tr></td></tr></td></tr></td></tr></td></tr></td></tr></td></tr></td></tr></td></tr></td></tr></td></tr></td></tr></td></tr></td></tr></td></tr></td></tr></td></tr></td></tr></td></tr></td></tr></td></tr></td></tr></td></tr></td></tr></td></tr></td></tr></td></tr>   | U-24 | " | " | V-675  | 122 | 1/2 | 2900 | 1\"/> <tr> <td>U-25</td> <td>"</td> <td>"</td> <td>V-675</td> <td>122</td> <td>1/2</td> <td>2900</td> <td>1\"/&gt;  <tr> <td>U-26</td> <td>"</td> <td>"</td> <td>V-675</td> <td>122</td> <td>1/2</td> <td>2900</td> <td>1\"/&gt;  <tr> <td>U-27</td> <td>"</td> <td>"</td> <td>V-675</td> <td>122</td> <td>1/2</td> <td>2900</td> <td>1\"/&gt;  <tr> <td>U-28</td> <td>"</td> <td>"</td> <td>V-675</td> <td>122</td> <td>1/2</td> <td>2900</td> <td>1\"/&gt;  <tr> <td>U-29</td> <td>"</td> <td>"</td> <td>V-675</td> <td>122</td> <td>1/2</td> <td>2900</td> <td>1\"/&gt;  <tr> <td>U-30</td> <td>"</td> <td>"</td> <td>V-675</td> <td>122</td> <td>1/2</td> <td>2900</td> <td>1\"/&gt;  <tr> <td>U-31</td> <td>"</td> <td>"</td> <td>V-675</td> <td>122</td> <td>1/2</td> <td>2900</td> <td>1\"/&gt;  <tr> <td>U-32</td> <td>"</td> <td>"</td> <td>V-675</td> <td>122</td> <td>1/2</td> <td>2900</td> <td>1\"/&gt;  <tr> <td>U-33</td> <td>"</td> <td>"</td> <td>V-675</td> <td>122</td> <td>1/2</td> <td>2900</td> <td>1\"/&gt;  <tr> <td>U-34</td> <td>"</td> <td>"</td> <td>V-675</td> <td>122</td> <td>1/2</td> <td>2900</td> <td>1\"/&gt;  <tr> <td>U-35</td> <td>"</td> <td>"</td> <td>V-675</td> <td>122</td> <td>1/2</td> <td>2900</td> <td>1\"/&gt;  <tr> <td>U-36</td> <td>"</td> <td>"</td> <td>V-675</td> <td>122</td> <td>1/2</td> <td>2900</td> <td>1\"/&gt;  <tr> <td>U-37</td> <td>"</td> <td>"</td> <td>V-675</td> <td>122</td> <td>1/2</td> <td>2900</td> <td>1\"/&gt;  <tr> <td>U-38</td> <td>"</td> <td>"</td> <td>V-675</td> <td>122</td> <td>1/2</td> <td>2900</td> <td>1\"/&gt;  <tr> <td>U-39</td> <td>"</td> <td>"</td> <td>V-675</td> <td>122</td> <td>1/2</td> <td>2900</td> <td>1\"/&gt;  <tr> <td>U-40</td> <td>"</td> <td>"</td> <td>V-675</td> <td>122</td> <td>1/2</td> <td>2900</td> <td>1\"/&gt;  <tr> <td>U-41</td> <td>"</td> <td>"</td> <td>V-675</td> <td>122</td> <td>1/2</td> <td>2900</td> <td>1\"/&gt;  <tr> <td>U-42</td> <td>"</td> <td>"</td> <td>V-675</td> <td>122</td> <td>1/2</td> <td>2900</td> <td>1\"/&gt;  <tr> <td>U-43</td> <td>"</td> <td>"</td> <td>V-675</td> <td>122</td> <td>1/2</td> <td>2900</td> <td>1\"/&gt;  <tr> <td>U-44</td> <td>"</td> <td>"</td> <td>V-675</td> <td>122</td> <td>1/2</td> <td>2900</td> <td>1\"/&gt;  <tr> <td>U-45</td> <td>"</td> <td>"</td> <td>V-675</td> <td>122</td> <td>1/2</td> <td>2900</td> <td>1\"/&gt;  <tr> <td>U-46</td> <td>"</td> <td>"</td> <td>V-675</td> <td>122</td> <td>1/2</td> <td>2900</td> <td>1\"/&gt;  <tr> <td>U-47</td> <td>"</td> <td>"</td> <td>V-675</td> <td>122</td> <td>1/2</td> <td>2900</td> <td>1\"/&gt;  <tr> <td>U-48</td> <td>"</td> <td>"</td> <td>V-675</td> <td>122</td> <td>1/2</td> <td>2900</td> <td>1\"/&gt;  <tr> <td>U-49</td> <td>"</td> <td>"</td> <td>V-675</td> <td>122</td> <td>1/2</td> <td>2900</td> <td>1\"/&gt;  <tr> <td>U-50</td> <td>"</td> <td>"</td> <td>V-675</td> <td>122</td> <td>1/2</td> <td>2900</td> <td>1\"/&gt;  </td></tr></td></tr></td></tr></td></tr></td></tr></td></tr></td></tr></td></tr></td></tr></td></tr></td></tr></td></tr></td></tr></td></tr></td></tr></td></tr></td></tr></td></tr></td></tr></td></tr></td></tr></td></tr></td></tr></td></tr></td></tr></td></tr>   
   | U-25 | " | " | V-675 | 122 | 1/2 | 2900 | 1\"/> <tr> <td>U-26</td> <td>"</td> <td>"</td> <td>V-675</td> <td>122</td> <td>1/2</td> <td>2900</td> <td>1\"/&gt;  <tr> <td>U-27</td> <td>"</td> <td>"</td> <td>V-675</td> <td>122</td> <td>1/2</td> <td>2900</td> <td>1\"/&gt;  <tr> <td>U-28</td> <td>"</td> <td>"</td> <td>V-675</td> <td>122</td> <td>1/2</td> <td>2900</td> <td>1\"/&gt;  <tr> <td>U-29</td> <td>"</td> <td>"</td> <td>V-675</td> <td>122</td> <td>1/2</td> <td>2900</td> <td>1\"/&gt;  <tr> <td>U-30</td> <td>"</td> <td>"</td> <td>V-675</td> <td>122</td> <td>1/2</td> <td>2900</td> <td>1\"/&gt;  <tr> <td>U-31</td> <td>"</td> <td>"</td> <td>V-675</td> <td>122</td> <td>1/2</td> <td>2900</td> <td>1\"/&gt;  <tr> <td>U-32</td> <td>"</td> <td>"</td> <td>V-675</td> <td>122</td> <td>1/2</td> <td>2900</td> <td>1\"/&gt;  <tr> <td>U-33</td> <td>"</td> <td>"</td> <td>V-675</td> <td>122</td> <td>1/2</td> <td>2900</td> <td>1\"/&gt;  <tr> <td>U-34</td> <td>"</td> <td>"</td> <td>V-675</td> <td>122</td> <td>1/2</td> <td>2900</td> <td>1\"/&gt;  <tr> <td>U-35</td> <td>"</td> <td>"</td> <td>V-675</td> <td>122</td> <td>1/2</td> <td>2900</td> <td>1\"/&gt;  <tr> <td>U-36</td> <td>"</td> <td>"</td> <td>V-675</td> <td>122</td> <td>1/2</td> <td>2900</td> <td>1\"/&gt;  <tr> <td>U-37</td> <td>"</td> <td>"</td> <td>V-675</td> <td>122</td> <td>1/2</td> <td>2900</td> <td>1\"/&gt;  <tr> <td>U-38</td> <td>"</td> <td>"</td> <td>V-675</td> <td>122</td> <td>1/2</td> <td>2900</td> <td>1\"/&gt;  <tr> <td>U-39</td> <td>"</td> <td>"</td> <td>V-675</td> <td>122</td> <td>1/2</td> <td>2900</td> <td>1\"/&gt;  <tr> <td>U-40</td> <td>"</td> <td>"</td> <td>V-675</td> <td>122</td> <td>1/2</td> <td>2900</td> <td>1\"/&gt;  <tr> <td>U-41</td> <td>"</td> <td>"</td> <td>V-675</td> <td>122</td> <td>1/2</td> <td>2900</td> <td>1\"/&gt;  <tr> <td>U-42</td> <td>"</td> <td>"</td> <td>V-675</td> <td>122</td> <td>1/2</td> <td>2900</td> <td>1\"/&gt;  <tr> <td>U-43</td> <td>"</td> <td>"</td> <td>V-675</td> <td>122</td> <td>1/2</td> <td>2900</td> <td>1\"/&gt;  <tr> <td>U-44</td> <td>"</td> <td>"</td> <td>V-675</td> <td>122</td> <td>1/2</td> <td>2900</td> <td>1\"/&gt;  <tr> <td>U-45</td> <td>"</td> <td>"</td> <td>V-675</td> <td>122</td> <td>1/2</td> <td>2900</td> <td>1\"/&gt;  <tr> <td>U-46</td> <td>"</td> <td>"</td> <td>V-675</td> <td>122</td> <td>1/2</td> <td>2900</td> <td>1\"/&gt;  <tr> <td>U-47</td> <td>"</td> <td>"</td> <td>V-675</td> <td>122</td> <td>1/2</td> <td>2900</td> <td>1\"/&gt;  <tr> <td>U-48</td> <td>"</td> <td>"</td> <td>V-675</td> <td>122</td> <td>1/2</td> <td>2900</td> <td>1\"/&gt;  <tr> <td>U-49</td> <td>"</td> <td>"</td> <td>V-675</td> <td>122</td> <td>1/2</td> <td>2900</td> <td>1\"/&gt;  <tr> <td>U-50</td> <td>"</td> <td>"</td> <td>V-675</td> <td>122</td> <td>1/2</td> <td>2900</td> <td>1\"/&gt;  </td></tr></td></tr></td></tr></td></tr></td></tr></td></tr></td></tr></td></tr></td></tr></td></tr></td></tr></td></tr></td></tr></td></tr></td></tr></td></tr></td></tr></td></tr></td></tr></td></tr></td></tr></td></tr></td></tr></td></tr></td></tr>  | U-26 | " | " | V-675 | 122 | 1/2 | 2900 | 1\"/> <tr> <td>U-27</td> <td>"</td> <td>"</td> <td>V-675</td> <td>122</td> <td>1/2</td> <td>2900</td> <td>1\"/&gt;  <tr> <td>U-28</td> <td>"</td> <td>"</td> <td>V-675</td> <td>122</td> <td>1/2</td> <td>2900</td> <td>1\"/&gt;  <tr> <td>U-29</td> <td>"</td> <td>"</td> <td>V-675</td> <td>122</td> <td>1/2</td> <td>2900</td> <td>1\"/&gt;  <tr> <td>U-30</td> <td>"</td> <td>"</td> <td>V-675</td> <td>122</td> <td>1/2</td> <td>2900</td> <td>1\"/&gt;  <tr> <td>U-31</td> <td>"</td> <td>"</td> <td>V-675</td> <td>122</td> <td>1/2</td> <td>2900</td> <td>1\"/&gt;  <tr> <td>U-32</td> <td>"</td> <td>"</td> <td>V-675</td> <td>122</td> <td>1/2</td> <td>2900</td> <td>1\"/&gt;  <tr> <td>U-33</td> <td>"</td> <td>"</td> <td>V-675</td> <td>122</td> <td>1/2</td> <td>2900</td> <td>1\"/&gt;  <tr> <td>U-34</td> <td>"</td> <td>"</td> <td>V-675</td> <td>122</td> <td>1/2</td> <td>2900</td> <td>1\"/&gt;  <tr> <td>U-35</td> <td>"</td> <td>"</td> <td>V-675</td> <td>122</td> <td>1/2</td> <td>2900</td> <td>1\"/&gt;  <tr> <td>U-36</td> <td>"</td> <td>"</td> <td>V-675</td> <td>122</td> <td>1/2</td> <td>2900</td> <td>1\"/&gt;  <tr> <td>U-37</td> <td>"</td> <td>"</td> <td>V-675</td> <td>122</td> <td>1/2</td> <td>2900</td> <td>1\"/&gt;  <tr> <td>U-38</td> <td>"</td> <td>"</td> <td>V-675</td> <td>122</td> <td>1/2</td> <td>2900</td> <td>1\"/&gt;  <tr> <td>U-39</td> <td>"</td> <td>"</td> <td>V-675</td> <td>122</td> <td>1/2</td> <td>2900</td> <td>1\"/&gt;  <tr> <td>U-40</td> <td>"</td> <td>"</td> <td>V-675</td> <td>122</td> <td>1/2</td> <td>2900</td> <td>1\"/&gt;  <tr> <td>U-41</td> <td>"</td> <td>"</td> <td>V-675</td> <td>122</td> <td>1/2</td> <td>2900</td> <td>1\"/&gt;  <tr> <td>U-42</td> <td>"</td> <td>"</td> <td>V-675</td> <td>122</td> <td>1/2</td> <td>2900</td> <td>1\"/&gt;  <tr> <td>U-43</td> <td>"</td> <td>"</td> <td>V-675</td> <td>122</td> <td>1/2</td> <td>2900</td> <td>1\"/&gt;  <tr> <td>U-44</td> <td>"</td> <td>"</td> <td>V-675</td> <td>122</td> <td>1/2</td> <td>2900</td> <td>1\"/&gt;  <tr> <td>U-45</td> <td>"</td> <td>"</td> <td>V-675</td> <td>122</td> <td>1/2</td> <td>2900</td> <td>1\"/&gt;  <tr> <td>U-46</td> <td>"</td> <td>"</td> <td>V-675</td> <td>122</td> <td>1/2</td> <td>2900</td> <td>1\"/&gt;  <tr> <td>U-47</td> <td>"</td> <td>"</td> <td>V-675</td> <td>122</td> <td>1/2</td> <td>2900</td> <td>1\"/&gt;  <tr> <td>U-48</td> <td>"</td> <td>"</td> <td>V-675</td> <td>122</td> <td>1/2</td> <td>2900</td> <td>1\"/&gt;  <tr> <td>U-49</td>
<td>"</td> <td>"</td> <td>V-675</td> <td>122</td> <td>1/2</td> <td>2900</td> <td>1\"/&gt;  <tr> <td>U-50</td> <td>"</td> <td>"</td> <td>V-675</td> <td>122</td> <td>1/2</td> <td>2900</td> <td>1\"/&gt;  </td></tr></td></tr></td></tr></td></tr></td></tr></td></tr></td></tr></td></tr></td></tr></td></tr></td></tr></td></tr></td></tr></td></tr></td></tr></td></tr></td></tr></td></tr></td></tr></td></tr></td></tr></td></tr></td></tr></td></tr>   | U-27 | " | " | V-675 | 122 | 1/2 | 2900 | 1\"/> <tr> <td>U-28</td> <td>"</td> <td>"</td> <td>V-675</td> <td>122</td> <td>1/2</td> <td>2900</td> <td>1\"/&gt;  <tr> <td>U-29</td> <td>"</td> <td>"</td> <td>V-675</td> <td>122</td> <td>1/2</td> <td>2900</td> <td>1\"/&gt;  <tr> <td>U-30</td> <td>"</td> <td>"</td> <td>V-675</td> <td>122</td> <td>1/2</td> <td>2900</td> <td>1\"/&gt;  <tr> <td>U-31</td> <td>"</td> <td>"</td> <td>V-675</td> <td>122</td> <td>1/2</td> <td>2900</td> <td>1\"/&gt;  <tr> <td>U-32</td> <td>"</td> <td>"</td> <td>V-675</td> <td>122</td> <td>1/2</td> <td>2900</td> <td>1\"/&gt;  <tr> <td>U-33</td> <td>"</td> <td>"</td> <td>V-675</td> <td>122</td> <td>1/2</td> <td>2900</td> <td>1\"/&gt;  <tr> <td>U-34</td> <td>"</td> <td>"</td> <td>V-675</td> <td>122</td> <td>1/2</td> <td>2900</td> <td>1\"/&gt;  <tr> <td>U-35</td> <td>"</td> <td>"</td> <td>V-675</td> <td>122</td> <td>1/2</td> <td>2900</td> <td>1\"/&gt;  <tr> <td>U-36</td> <td>"</td> <td>"</td> <td>V-675</td> <td>122</td> <td>1/2</td> <td>2900</td> <td>1\"/&gt;  <tr> <td>U-37</td> <td>"</td> <td>"</td> <td>V-675</td> <td>122</td> <td>1/2</td> <td>2900</td> <td>1\"/&gt;  <tr> <td>U-38</td> <td>"</td> <td>"</td> <td>V-675</td> <td>122</td> <td>1/2</td> <td>2900</td> <td>1\"/&gt;  <tr> <td>U-39</td> <td>"</td> <td>"</td> <td>V-675</td> <td>122</td> <td>1/2</td> <td>2900</td> <td>1\"/&gt;  <tr> <td>U-40</td> <td>"</td> <td>"</td> <td>V-675</td> <td>122</td> <td>1/2</td> <td>2900</td> <td>1\"/&gt;  <tr> <td>U-41</td> <td>"</td> <td>"</td> <td>V-675</td> <td>122</td> <td>1/2</td> <td>2900</td> <td>1\"/&gt;  <tr> <td>U-42</td> <td>"</td> <td>"</td> <td>V-675</td> <td>122</td> <td>1/2</td> <td>2900</td> <td>1\"/&gt;  <tr> <td>U-43</td> <td>"</td> <td>"</td> <td>V-675</td> <td>122</td> <td>1/2</td> <td>2900</td> <td>1\"/&gt;  <tr> <td>U-44</td> <td>"</td> <td>"</td> <td>V-675</td> <td>122</td> <td>1/2</td> <td>2900</td> <td>1\"/&gt;  <tr> <td>U-45</td> <td>"</td> <td>"</td> <td>V-675</td> <td>122</td> <td>1/2</td> <td>2900</td> <td>1\"/&gt;  <tr> <td>U-46</td> <td>"</td> <td>"</td> <td>V-675</td> <td>122</td> <td>1/2</td> <td>2900</td> <td>1\"/&gt;  <tr> <td>U-47</td> <td>"</td> <td>"</td> <td>V-675</td> <td>122</td> <td>1/2</td> <td>2900</td> <td>1\"/&gt;  <tr> <td>U-48</td> <td>"</td> <td>"</td> <td>V-675</td> <td>122</td> <td>1/2</td> <td>2900</td> <td>1\"/&gt;  <tr> <td>U-49</td> <td>"</td> <td>"</td> <td>V-675</td> <td>122</td> <td>1/2</td> <td>2900</td> <td>1\"/&gt;  <tr> <td>U-50</td> <td>"</td> <td>"</td> <td>V-675</td> <td>122</td> <td>1/2</td> <td>2900</td> <td>1\"/&gt;  </td></tr></td></tr></td></tr></td></tr></td></tr></td></tr></td></tr></td></tr></td></tr></td></tr></td></tr></td></tr></td></tr></td></tr></td></tr></td></tr></td></tr></td></tr></td></tr></td></tr></td></tr></td></tr></td></tr>  | U-28 | " | " | V-675 | 122 | 1/2 | 2900 | 1\"/> <tr> <td>U-29</td> <td>"</td> <td>"</td> <td>V-675</td> <td>122</td> <td>1/2</td> <td>2900</td> <td>1\"/&gt;  <tr> <td>U-30</td> <td>"</td> <td>"</td> <td>V-675</td> <td>122</td> <td>1/2</td> <td>2900</td> <td>1\"/&gt;  <tr> <td>U-31</td> <td>"</td> <td>"</td> <td>V-675</td> <td>122</td> <td>1/2</td> <td>2900</td> <td>1\"/&gt;  <tr> <td>U-32</td> <td>"</td> <td>"</td> <td>V-675</td> <td>122</td> <td>1/2</td> <td>2900</td> <td>1\"/&gt;  <tr> <td>U-33</td> <td>"</td> <td>"</td> <td>V-675</td> <td>122</td> <td>1/2</td> <td>2900</td> <td>1\"/&gt;  <tr> <td>U-34</td> <td>"</td> <td>"</td> <td>V-675</td> <td>122</td> <td>1/2</td> <td>2900</td> <td>1\"/&gt;  <tr> <td>U-35</td> <td>"</td> <td>"</td> <td>V-675</td> <td>122</td> <td>1/2</td> <td>2900</td> <td>1\"/&gt;  <tr> <td>U-36</td> <td>"</td> <td>"</td> <td>V-675</td> <td>122</td> <td>1/2</td> <td>2900</td> <td>1\"/&gt;  <tr> <td>U-37</td> <td>"</td> <td>"</td> <td>V-675</td> <td>122</td> <td>1/2</td> <td>2900</td> <td>1\"/&gt;  <tr> <td>U-38</td> <td>"</td> <td>"</td> <td>V-675</td> <td>122</td> <td>1/2</td> <td>2900</td> <td>1\"/&gt;  <tr> <td>U-39</td> <td>"</td> <td>"</td> <td>V-675</td> <td>122</td> <td>1/2</td> <td>2900</td> <td>1\"/&gt;  <tr> <td>U-40</td> <td>"</td> <td>"</td> <td>V-675</td> <td>122</td> <td>1/2</td> <td>2900</td> <td>1\"/&gt;  <tr> <td>U-41</td> <td>"</td> <td>"</td> <td>V-675</td> <td>122</td> <td>1/2</td> <td>2900</td> <td>1\"/&gt;  <tr> <td>U-42</td> <td>"</td> <td>"</td> <td>V-675</td> <td>122</td> <td>1/2</td> <td>2900</td> <td>1\"/&gt;  <tr> <td>U-43</td> <td>"</td> <td>"</td> <td>V-675</td> <td>122</td> <td>1/2</td> <td>2900</td> <td>1\"/&gt;  <tr>
<td>U-44</td> <td>"</td> <td>"</td> <td>V-675</td> <td>122</td> <td>1/2</td> <td>2900</td> <td>1\"/&gt;  <tr> <td>U-45</td> <td>"</td> <td>"</td> <td>V-675</td> <td>122</td> <td>1/2</td> <td>2900</td> <td>1\"/&gt;  <tr> <td>U-46</td> <td>"</td> <td>"</td> <td>V-675</td> <td>122</td> <td>1/2</td> <td>2900</td> <td>1\"/&gt;  <tr> <td>U-47</td> <td>"</td> <td>"</td> <td>V-675</td> <td>122</td> <td>1/2</td> <td>2900</td> <td>1\"/&gt;  <tr> <td>U-48</td> <td>"</td> <td>"</td> <td>V-675</td> <td>122</td> <td>1/2</td> <td>2900</td> <td>1\"/&gt;  <tr> <td>U-49</td> <td>"</td> <td>"</td> <td>V-675</td> <td>122</td> <td>1/2</td> <td>2900</td> <td>1\"/&gt;  <tr> <td>U-50</td> <td>"</td> <td>"</td> <td>V-675</td> <td>122</td> <td>1/2</td> <td>2900</td> <td>1\"/&gt;  </td></tr></td></tr></td></tr></td></tr></td></tr></td></tr></td></tr></td></tr></td></tr></td></tr></td></tr></td></tr></td></tr></td></tr></td></tr></td></tr></td></tr></td></tr></td></tr></td></tr></td></tr></td></tr>   | U-29 | " | " | V-675 | 122 | 1/2 | 2900 | 1\"/> <tr> <td>U-30</td> <td>"</td> <td>"</td> <td>V-675</td> <td>122</td> <td>1/2</td> <td>2900</td> <td>1\"/&gt;  <tr> <td>U-31</td> <td>"</td> <td>"</td> <td>V-675</td> <td>122</td> <td>1/2</td> <td>2900</td> <td>1\"/&gt;  <tr> <td>U-32</td> <td>"</td> <td>"</td> <td>V-675</td> <td>122</td> <td>1/2</td> <td>2900</td> <td>1\"/&gt;  <tr> <td>U-33</td> <td>"</td> <td>"</td> <td>V-675</td> <td>122</td> <td>1/2</td> <td>2900</td> <td>1\"/&gt;  <tr> <td>U-34</td> <td>"</td> <td>"</td> <td>V-675</td> <td>122</td> <td>1/2</td> <td>2900</td> <td>1\"/&gt;  <tr> <td>U-35</td> <td>"</td> <td>"</td> <td>V-675</td> <td>122</td> <td>1/2</td> <td>2900</td> <td>1\"/&gt;  <tr> <td>U-36</td> <td>"</td> <td>"</td> <td>V-675</td> <td>122</td> <td>1/2</td> <td>2900</td> <td>1\"/&gt;  <tr> <td>U-37</td> <td>"</td> <td>"</td> <td>V-675</td> <td>122</td> <td>1/2</td> <td>2900</td> <td>1\"/&gt;  <tr> <td>U-38</td> <td>"</td> <td>"</td> <td>V-675</td> <td>122</td> <td>1/2</td> <td>2900</td> <td>1\"/&gt;  <tr> <td>U-39</td> <td>"</td> <td>"</td> <td>V-675</td> <td>122</td> <td>1/2</td> <td>2900</td> <td>1\"/&gt;  <tr> <td>U-40</td> <td>"</td> <td>"</td> <td>V-675</td> <td>122</td> <td>1/2</td> <td>2900</td> <td>1\"/&gt;  <tr> <td>U-41</td> <td>"</td> <td>"</td> <td>V-675</td> <td>122</td> <td>1/2</td> <td>2900</td> <td>1\"/&gt;  <tr> <td>U-42</td> <td>"</td> <td>"</td> <td>V-675</td> <td>122</td> <td>1/2</td> <td>2900</td> <td>1\"/&gt;  <tr> <td>U-43</td> <td>"</td> <td>"</td> <td>V-675</td> <td>122</td> <td>1/2</td> <td>2900</td> <td>1\"/&gt;  <tr> <td>U-44</td> <td>"</td> <td>"</td> <td>V-675</td> <td>122</td> <td>1/2</td> <td>2900</td> <td>1\"/&gt;  <tr> <td>U-45</td> <td>"</td> <td>"</td> <td>V-675</td> <td>122</td> <td>1/2</td> <td>2900</td> <td>1\"/&gt;  <tr> <td>U-46</td> <td>"</td> <td>"</td> <td>V-675</td> <td>122</td> <td>1/2</td> <td>2900</td> <td>1\"/&gt;  <tr> <td>U-47</td> <td>"</td> <td>"</td> <td>V-675</td> <td>122</td> <td>1/2</td> <td>2900</td> <td>1\"/&gt;  <tr> <td>U-48</td> <td>"</td> <td>"</td> <td>V-675</td> <td>122</td> <td>1/2</td> <td>2900</td> <td>1\"/&gt;  <tr> <td>U-49</td> <td>"</td> <td>"</td> <td>V-675</td> <td>122</td> <td>1/2</td> <td>2900</td> <td>1\"/&gt;  <tr> <td>U-50</td> <td>"</td> <td>"</td> <td>V-675</td> <td>122</td> <td>1/2</td> <td>2900</td> <td>1\"/&gt;  </td></tr></td></tr></td></tr></td></tr></td></tr></td></tr></td></tr></td></tr></td></tr></td></tr></td></tr></td></tr></td></tr></td></tr></td></tr></td></tr></td></tr></td></tr></td></tr></td></tr></td></tr>  | U-30 | " | " | V-675 | 122 | 1/2 | 2900 | 1\"/> <tr> <td>U-31</td> <td>"</td> <td>"</td> <td>V-675</td> <td>122</td> <td>1/2</td> <td>2900</td> <td>1\"/&gt;  <tr> <td>U-32</td> <td>"</td> <td>"</td> <td>V-675</td> <td>122</td> <td>1/2</td> <td>2900</td> <td>1\"/&gt;  <tr> <td>U-33</td> <td>"</td> <td>"</td> <td>V-675</td> <td>122</td> <td>1/2</td> <td>2900</td> <td>1\"/&gt;  <tr> <td>U-34</td> <td>"</td> <td>"</td> <td>V-675</td> <td>122</td> <td>1/2</td> <td>2900</td> <td>1\"/&gt;  <tr> <td>U-35</td> <td>"</td> <td>"</td> <td>V-675</td> <td>122</td> <td>1/2</td> <td>2900</td> <td>1\"/&gt;  <tr> <td>U-36</td> <td>"</td> <td>"</td> <td>V-675</td> <td>122</td> <td>1/2</td> <td>2900</td> <td>1\"/&gt;  <tr> <td>U-37</td> <td>"</td> <td>"</td> <td>V-675</td> <td>122</td> <td>1/2</td> <td>2900</td> <td>1\"/&gt;  <tr> <td>U-38</td> <td>"</td> <td>"</td> <td>V-675</td> <td>122</td> <td>1/2</td> <td>2900</td> <td>1\"/&gt;  <tr> <td>U-39</td> <td>"</td> <td>"</td> <td>V-675</td> <td>122</td> <td>1/2</td> <td>2900</td> <td>1\"/&gt;  <tr> <td>U-40</td> <td>"</td> <td>"</td> <td>V-675</td> <td>122</td> <td>1/2</td> <td>2900</td> <td>1\"/&gt;  <tr> <td>U-41</td> <td>"</td> <td>"</td> <td>V-675</td> <td>122</td> <td>1/2</td> <td>2900</td> <td>1\"/&gt;  <tr> <td>U-42</td> <td>"</td> <td>"</td> <td>V-675</td> <td>122</td> <td>1/2</td> <td>2900</td> <td>1\"/&gt;  <tr> <td>U-43</td> <td>"</td>
<td>"</td> <td>V-675</td> <td>122</td> <td>1/2</td> <td>2900</td> <td>1\"/&gt;  <tr> <td>U-44</td> <td>"</td> <td>"</td> <td>V-675</td> <td>122</td> <td>1/2</td> <td>2900</td> <td>1\"/&gt;  <tr> <td>U-45</td> <td>"</td> <td>"</td> <td>V-675</td> <td>122</td> <td>1/2</td> <td>2900</td> <td>1\"/&gt;  <tr> <td>U-46</td> <td>"</td> <td>"</td> <td>V-675</td> <td>122</td> <td>1/2</td> <td>2900</td> <td>1\"/&gt;  <tr> <td>U-47</td> <td>"</td> <td>"</td> <td>V-675</td> <td>122</td> <td>1/2</td> <td>2900</td> <td>1\"/&gt;  <tr> <td>U-48</td> <td>"</td> <td>"</td> <td>V-675</td> <td>122</td> <td>1/2</td> <td>2900</td> <td>1\"/&gt;  <tr> <td>U-49</td> <td>"</td> <td>"</td> <td>V-675</td> <td>122</td> <td>1/2</td> <td>2900</td> <td>1\"/&gt;  <tr> <td>U-50</td> <td>"</td> <td>"</td> <td>V-675</td> <td>122</td> <td>1/2</td> <td>2900</td> <td>1\"/&gt;  </td></tr></td></tr></td></tr></td></tr></td></tr></td></tr></td></tr></td></tr></td></tr></td></tr></td></tr></td></tr></td></tr></td></tr></td></tr></td></tr></td></tr></td></tr></td></tr></td></tr>   | U-31 | " | " | V-675 | 122 | 1/2 | 2900 | 1\"/> <tr> <td>U-32</td> <td>"</td> <td>"</td> <td>V-675</td> <td>122</td> <td>1/2</td> <td>2900</td> <td>1\"/&gt;  <tr> <td>U-33</td> <td>"</td> <td>"</td> <td>V-675</td> <td>122</td> <td>1/2</td> <td>2900</td> <td>1\"/&gt;  <tr> <td>U-34</td> <td>"</td> <td>"</td> <td>V-675</td> <td>122</td> <td>1/2</td> <td>2900</td> <td>1\"/&gt;  <tr> <td>U-35</td> <td>"</td> <td>"</td> <td>V-675</td> <td>122</td> <td>1/2</td> <td>2900</td> <td>1\"/&gt;  <tr> <td>U-36</td> <td>"</td> <td>"</td> <td>V-675</td> <td>122</td> <td>1/2</td> <td>2900</td> <td>1\"/&gt;  <tr> <td>U-37</td> <td>"</td> <td>"</td> <td>V-675</td> <td>122</td> <td>1/2</td> <td>2900</td> <td>1\"/&gt;  <tr> <td>U-38</td> <td>"</td> <td>"</td> <td>V-675</td> <td>122</td> <td>1/2</td> <td>2900</td> <td>1\"/&gt;  <tr> <td>U-39</td> <td>"</td> <td>"</td> <td>V-675</td> <td>122</td> <td>1/2</td> <td>2900</td> <td>1\"/&gt;  <tr> <td>U-40</td> <td>"</td> <td>"</td> <td>V-675</td> <td>122</td> <td>1/2</td> <td>2900</td> <td>1\"/&gt;  <tr> <td>U-41</td> <td>"</td> <td>"</td> <td>V-675</td> <td>122</td> <td>1/2</td> <td>2900</td> <td>1\"/&gt;  <tr> <td>U-42</td> <td>"</td> <td>"</td> <td>V-675</td> <td>122</td> <td>1/2</td> <td>2900</td> <td>1\"/&gt;  <tr> <td>U-43</td> <td>"</td> <td>"</td> <td>V-675</td> <td>122</td> <td>1/2</td> <td>2900</td> <td>1\"/&gt;  <tr> <td>U-44</td> <td>"</td> <td>"</td> <td>V-675</td> <td>122</td> <td>1/2</td> <td>2900</td> <td>1\"/&gt;  <tr> <td>U-45</td> <td>"</td> <td>"</td> <td>V-675</td> <td>122</td> <td>1/2</td> <td>2900</td> <td>1\"/&gt;  <tr> <td>U-46</td> <td>"</td> <td>"</td> <td>V-675</td> <td>122</td> <td>1/2</td> <td>2900</td> <td>1\"/&gt;  <tr> <td>U-47</td> <td>"</td> <td>"</td> <td>V-675</td> <td>122</td> <td>1/2</td> <td>2900</td> <td>1\"/&gt;  <tr> <td>U-48</td> <td>"</td> <td>"</td> <td>V-675</td> <td>122</td> <td>1/2</td> <td>2900</td> <td>1\"/&gt;  <tr> <td>U-49</td> <td>"</td> <td>"</td> <td>V-675</td> <td>122</td> <td>1/2</td> <td>2900</td> <td>1\"/&gt;  <tr> <td>U-50</td> <td>"</td> <td>"</td> <td>V-675</td> <td>122</td> <td>1/2</td> <td>2900</td> <td>1\"/&gt;  </td></tr></td></tr></td></tr></td></tr></td></tr></td></tr></td></tr></td></tr></td></tr></td></tr></td></tr></td></tr></td></tr></td></tr></td></tr></td></tr></td></tr></td></tr></td></tr>   | U-32 | " | " | V-675 | 122 | 1/2 | 2900 | 1\"/> <tr> <td>U-33</td> <td>"</td> <td>"</td> <td>V-675</td> <td>122</td> <td>1/2</td> <td>2900</td> <td>1\"/&gt;  <tr> <td>U-34</td> <td>"</td> <td>"</td> <td>V-675</td> <td>122</td> <td>1/2</td> <td>2900</td> <td>1\"/&gt;  <tr> <td>U-35</td> <td>"</td> <td>"</td> <td>V-675</td> <td>122</td> <td>1/2</td> <td>2900</td> <td>1\"/&gt;  <tr> <td>U-36</td> <td>"</td> <td>"</td> <td>V-675</td> <td>122</td> <td>1/2</td> <td>2900</td> <td>1\"/&gt;  <tr> <td>U-37</td> <td>"</td> <td>"</td> <td>V-675</td> <td>122</td> <td>1/2</td> <td>2900</td> <td>1\"/&gt;  <tr> <td>U-38</td> <td>"</td> <td>"</td> <td>V-675</td> <td>122</td> <td>1/2</td> <td>2900</td> <td>1\"/&gt;  <tr> <td>U-39</td> <td>"</td> <td>"</td> <td>V-675</td> <td>122</td> <td>1/2</td> <td>2900</td> <td>1\"/&gt;  <tr> <td>U-40</td> <td>"</td> <td>"</td> <td>V-675</td> <td>122</td> <td>1/2</td> <td>2900</td> <td>1\"/&gt;  <tr> <td>U-41</td> <td>"</td> <td>"</td> <td>V-675</td> <td>122</td> <td>1/2</td> <td>2900</td> <td>1\"/&gt;  <tr> <td>U-42</td> <td>"</td> <td>"</td> <td>V-675</td> <td>122</td> <td>1/2</td> <td>2900</td> <td>1\"/&gt;  <tr> <td>U-43</td> <td>"</td> <td>"</td> <td>V-675</td> <td>122</td> <td>1/2</td> <td>2900</td> <td>1\"/&gt;  <tr> <td>U-44</td> <td>"</td> <td>"</td> <td>V-675</td> <td>122</td> <td>1/2</td> <td>2900</td> <td>1\"/&gt;  <tr> <td>U-45</td> <td>"</td> <td>"</td> <td>V-675</td> <td>122</td> <td>1/2</td> <td>2900</td> <td>1\"/&gt;  <tr> <td>U-46</td> <td>"</td> <td>"</td> <td>V-675</td> <td>122</td> <td>1/2</td> <td>2900</td>
<td>1\"/&gt;  <tr> <td>U-47</td> <td>"</td> <td>"</td> <td>V-675</td> <td>122</td> <td>1/2</td> <td>2900</td> <td>1\"/&gt;  <tr> <td>U-48</td> <td>"</td> <td>"</td> <td>V-675</td> <td>122</td> <td>1/2</td> <td>2900</td> <td>1\"/&gt;  <tr> <td>U-49</td> <td>"</td> <td>"</td> <td>V-675</td> <td>122</td> <td>1/2</td> <td>2900</td> <td>1\"/&gt;  <tr> <td>U-50</td> <td>"</td> <td>"</td> <td>V-675</td> <td>122</td> <td>1/2</td> <td>2900</td> <td>1\"/&gt;  </td></tr></td></tr></td></tr></td></tr></td></tr></td></tr></td></tr></td></tr></td></tr></td></tr></td></tr></td></tr></td></tr></td></tr></td></tr></td></tr></td></tr></td></tr>   | U-33 | " | " | V-675 | 122 | 1/2 | 2900 | 1\"/> <tr> <td>U-34</td> <td>"</td> <td>"</td> <td>V-675</td> <td>122</td> <td>1/2</td> <td>2900</td> <td>1\"/&gt;  <tr> <td>U-35</td> <td>"</td> <td>"</td> <td>V-675</td> <td>122</td> <td>1/2</td> <td>2900</td> <td>1\"/&gt;  <tr> <td>U-36</td> <td>"</td> <td>"</td> <td>V-675</td> <td>122</td> <td>1/2</td> <td>2900</td> <td>1\"/&gt;  <tr> <td>U-37</td> <td>"</td> <td>"</td> <td>V-675</td> <td>122</td> <td>1/2</td> <td>2900</td> <td>1\"/&gt;  <tr> <td>U-38</td> <td>"</td> <td>"</td> <td>V-675</td> <td>122</td> <td>1/2</td> <td>2900</td> <td>1\"/&gt;  <tr> <td>U-39</td> <td>"</td> <td>"</td> <td>V-675</td> <td>122</td> <td>1/2</td> <td>2900</td> <td>1\"/&gt;  <tr> <td>U-40</td> <td>"</td> <td>"</td> <td>V-675</td> <td>122</td> <td>1/2</td> <td>2900</td> <td>1\"/&gt;  <tr> <td>U-41</td> <td>"</td> <td>"</td> <td>V-675</td> <td>122</td> <td>1/2</td> <td>2900</td> <td>1\"/&gt;  <tr> <td>U-42</td> <td>"</td> <td>"</td> <td>V-675</td> <td>122</td> <td>1/2</td> <td>2900</td> <td>1\"/&gt;  <tr> <td>U-43</td> <td>"</td> <td>"</td> <td>V-675</td> <td>122</td> <td>1/2</td> <td>2900</td> <td>1\"/&gt;  <tr> <td>U-44</td> <td>"</td> <td>"</td> <td>V-675</td> <td>122</td> <td>1/2</td> <td>2900</td> <td>1\"/&gt;  <tr> <td>U-45</td> <td>"</td> <td>"</td> <td>V-675</td> <td>122</td> <td>1/2</td> <td>2900</td> <td>1\"/&gt;  <tr> <td>U-46</td> <td>"</td> <td>"</td> <td>V-675</td> <td>122</td> <td>1/2</td> <td>2900</td> <td>1\"/&gt;  <tr> <td>U-47</td> <td>"</td> <td>"</td> <td>V-675</td> <td>122</td> <td>1/2</td> <td>2900</td> <td>1\"/&gt;  <tr> <td>U-48</td> <td>"</td> <td>"</td> <td>V-675</td> <td>122</td> <td>1/2</td> <td>2900</td> <td>1\"/&gt;  <tr> <td>U-49</td> <td>"</td> <td>"</td> <td>V-675</td> <td>122</td> <td>1/2</td> <td>2900</td> <td>1\"/&gt;  <tr> <td>U-50</td> <td>"</td> <td>"</td> <td>V-675</td> <td>122</td> <td>1/2</td> <td>2900</td> <td>1\"/&gt;  </td></tr></td></tr></td></tr></td></tr></td></tr></td></tr></td></tr></td></tr></td></tr></td></tr></td></tr></td></tr></td></tr></td></tr></td></tr></td></tr></td></tr>   | U-34 | " | " | V-675 | 122 | 1/2 | 2900 | 1\"/> <tr> <td>U-35</td> <td>"</td> <td>"</td> <td>V-675</td> <td>122</td> <td>1/2</td> <td>2900</td> <td>1\"/&gt;  <tr> <td>U-36</td> <td>"</td> <td>"</td> <td>V-675</td> <td>122</td> <td>1/2</td> <td>2900</td> <td>1\"/&gt;  <tr> <td>U-37</td> <td>"</td> <td>"</td> <td>V-675</td> <td>122</td> <td>1/2</td> <td>2900</td> <td>1\"/&gt;  <tr> <td>U-38</td> <td>"</td> <td>"</td> <td>V-675</td> <td>122</td> <td>1/2</td> <td>2900</td> <td>1\"/&gt;  <tr> <td>U-39</td> <td>"</td> <td>"</td> <td>V-675</td> <td>122</td> <td>1/2</td> <td>2900</td> <td>1\"/&gt;  <tr> <td>U-40</td> <td>"</td> <td>"</td> <td>V-675</td> <td>122</td> <td>1/2</td> <td>2900</td> <td>1\"/&gt;  <tr> <td>U-41</td> <td>"</td> <td>"</td> <td>V-675</td> <td>122</td> <td>1/2</td> <td>2900</td> <td>1\"/&gt;  <tr> <td>U-42</td> <td>"</td> <td>"</td> <td>V-675</td> <td>122</td> <td>1/2</td> <td>2900</td> <td>1\"/&gt;  <tr> <td>U-43</td> <td>"</td> <td>"</td> <td>V-675</td> <td>122</td> <td>1/2</td> <td>2900</td> <td>1\"/&gt;  <tr> <td>U-44</td> <td>"</td> <td>"</td> <td>V-675</td> <td>122</td> <td>1/2</td> <td>2900</td> <td>1\"/&gt;  <tr> <td>U-45</td> <td>"</td> <td>"</td> <td>V-675</td> <td>122</td> <td>1/2</td> <td>2900</td> <td>1\"/&gt;  <tr> <td>U-46</td> <td>"</td> <td>"</td> <td>V-675</td> <td>122</td> <td>1/2</td> <td>2900</td> <td>1\"/&gt;  <tr> <td>U-47</td> <td>"</td> <td>"</td> <td>V-675</td> <td>122</td> <td>1/2</td> <td>2900</td> <td>1\"/&gt;  <tr> <td>U-48</td> <td>"</td> <td>"</td> <td>V-675</td> <td>122</td> <td>1/2</td> <td>2900</td> <td>1\"/&gt;  <tr> <td>U-49</td> <td>"</td> <td>"</td> <td>V-675</td> <td>122</td> <td>1/2</td> <td>2900</td> <td>1\"/&gt;  <tr> <td>U-50</td> <td>"</td> <td>"</td> <td>V-675</td> <td>122</td> <td>1/2</td> <td>2900</td> <td>1\"/&gt;  </td></tr></td></tr></td></tr></td></tr></td></tr></td></tr></td></tr></td></tr></td></tr></td></tr></td></tr></td></tr></td></tr></td></tr></td></tr></td></tr>   
   | U-35 | " | " | V-675 | 122 | 1/2 | 2900 | 1\"/> <tr> <td>U-36</td> <td>"</td> <td>"</td> <td>V-675</td> <td>122</td> <td>1/2</td> <td>2900</td> <td>1\"/&gt;  <tr> <td>U-37</td> <td>"</td> <td>"</td> <td>V-675</td> <td>122</td> <td>1/2</td> <td>2900</td> <td>1\"/&gt;  <tr> <td>U-38</td> <td>"</td> <td>"</td> <td>V-675</td> <td>122</td> <td>1/2</td> <td>2900</td> <td>1\"/&gt;  <tr> <td>U-39</td> <td>"</td> <td>"</td> <td>V-675</td> <td>122</td> <td>1/2</td> <td>2900</td> <td>1\"/&gt;  <tr> <td>U-40</td> <td>"</td> <td>"</td> <td>V-675</td> <td>122</td> <td>1/2</td> <td>2900</td> <td>1\"/&gt;  <tr> <td>U-41</td> <td>"</td> <td>"</td> <td>V-675</td> <td>122</td> <td>1/2</td> <td>2900</td> <td>1\"/&gt;  <tr> <td>U-42</td> <td>"</td> <td>"</td> <td>V-675</td> <td>122</td> <td>1/2</td> <td>2900</td> <td>1\"/&gt;  <tr> <td>U-43</td> <td>"</td> <td>"</td> <td>V-675</td> <td>122</td> <td>1/2</td> <td>2900</td> <td>1\"/&gt;  <tr> <td>U-44</td> <td>"</td> <td>"</td> <td>V-675</td> <td>122</td> <td>1/2</td> <td>2900</td> <td>1\"/&gt;  <tr> <td>U-45</td> <td>"</td> <td>"</td> <td>V-675</td> <td>122</td> <td>1/2</td> <td>2900</td> <td>1\"/&gt;  <tr> <td>U-46</td> <td>"</td> <td>"</td> <td>V-675</td> <td>122</td> <td>1/2</td> <td>2900</td> <td>1\"/&gt;  <tr> <td>U-47</td> <td>"</td> <td>"</td> <td>V-675</td> <td>122</td> <td>1/2</td> <td>2900</td> <td>1\"/&gt;  <tr> <td>U-48</td> <td>"</td> <td>"</td> <td>V-675</td> <td>122</td> <td>1/2</td> <td>2900</td> <td>1\"/&gt;  <tr> <td>U-49</td> <td>"</td> <td>"</td> <td>V-675</td> <td>122</td> <td>1/2</td> <td>2900</td> <td>1\"/&gt;  <tr> <td>U-50</td> <td>"</td> <td>"</td> <td>V-675</td> <td>122</td> <td>1/2</td> <td>2900</td> <td>1\"/&gt;  </td></tr></td></tr></td></tr></td></tr></td></tr></td></tr></td></tr></td></tr></td></tr></td></tr></td></tr></td></tr></td></tr></td></tr></td></tr>   | U-36 | " | " | V-675 | 122 | 1/2 | 2900 | 1\"/> <tr> <td>U-37</td> <td>"</td> <td>"</td> <td>V-675</td> <td>122</td> <td>1/2</td> <td>2900</td> <td>1\"/&gt;  <tr> <td>U-38</td> <td>"</td> <td>"</td> <td>V-675</td> <td>122</td> <td>1/2</td> <td>2900</td> <td>1\"/&gt;  <tr> <td>U-39</td> <td>"</td> <td>"</td> <td>V-675</td> <td>122</td> <td>1/2</td> <td>2900</td> <td>1\"/&gt;  <tr> <td>U-40</td> <td>"</td> <td>"</td> <td>V-675</td> <td>122</td> <td>1/2</td> <td>2900</td> <td>1\"/&gt;  <tr> <td>U-41</td> <td>"</td> <td>"</td> <td>V-675</td> <td>122</td> <td>1/2</td> <td>2900</td> <td>1\"/&gt;  <tr> <td>U-42</td> <td>"</td> <td>"</td> <td>V-675</td> <td>122</td> <td>1/2</td> <td>2900</td> <td>1\"/&gt;  <tr> <td>U-43</td> <td>"</td> <td>"</td> <td>V-675</td> <td>122</td> <td>1/2</td> <td>2900</td> <td>1\"/&gt;  <tr> <td>U-44</td> <td>"</td> <td>"</td> <td>V-675</td> <td>122</td> <td>1/2</td> <td>2900</td> <td>1\"/&gt;  <tr> <td>U-45</td> <td>"</td> <td>"</td> <td>V-675</td> <td>122</td> <td>1/2</td> <td>2900</td> <td>1\"/&gt;  <tr> <td>U-46</td> <td>"</td> <td>"</td> <td>V-675</td> <td>122</td> <td>1/2</td> <td>2900</td> <td>1\"/&gt;  <tr> <td>U-47</td> <td>"</td> <td>"</td> <td>V-675</td> <td>122</td> <td>1/2</td> <td>2900</td> <td>1\"/&gt;  <tr> <td>U-48</td> <td>"</td> <td>"</td> <td>V-675</td> <td>122</td> <td>1/2</td> <td>2900</td> <td>1\"/&gt;  <tr> <td>U-49</td> <td>"</td> <td>"</td> <td>V-675</td> <td>122</td> <td>1/2</td> <td>2900</td> <td>1\"/&gt;  <tr> <td>U-50</td> <td>"</td> <td>"</td> <td>V-675</td> <td>122</td> <td>1/2</td> <td>2900</td> <td>1\"/&gt;  </td></tr></td></tr></td></tr></td></tr></td></tr></td></tr></td></tr></td></tr></td></tr></td></tr></td></tr></td></tr></td></tr></td></tr>   
   | U-37 | " | " | V-675 | 122 | 1/2 | 2900 | 1\"/> <tr> <td>U-38</td> <td>"</td> <td>"</td> <td>V-675</td> <td>122</td> <td>1/2</td> <td>2900</td> <td>1\"/&gt;  <tr> <td>U-39</td> <td>"</td> <td>"</td> <td>V-675</td> <td>122</td> <td>1/2</td> <td>2900</td> <td>1\"/&gt;  <tr> <td>U-40</td> <td>"</td> <td>"</td> <td>V-675</td> <td>122</td> <td>1/2</td> <td>2900</td> <td>1\"/&gt;  <tr> <td>U-41</td> <td>"</td> <td>"</td> <td>V-675</td> <td>122</td> <td>1/2</td> <td>2900</td> <td>1\"/&gt;  <tr> <td>U-42</td> <td>"</td> <td>"</td> <td>V-675</td> <td>122</td> <td>1/2</td> <td>2900</td> <td>1\"/&gt;  <tr> <td>U-43</td> <td>"</td> <td>"</td> <td>V-675</td> <td>122</td> <td>1/2</td> <td>2900</td> <td>1\"/&gt;  <tr> <td>U-44</td> <td>"</td> <td>"</td> <td>V-675</td> <td>122</td> <td>1/2</td> <td>2900</td> <td>1\"/&gt;  <tr> <td>U-45</td> <td>"</td> <td>"</td> <td>V-675</td> <td>122</td> <td>1/2</td> <td>2900</td> <td>1\"/&gt;  <tr> <td>U-46</td> <td>"</td> <td>"</td> <td>V-675</td> <td>122</td> <td>1/2</td> <td>2900</td> <td>1\"/&gt;  <tr> <td>U-47</td> <td>"</td> <td>"</td> <td>V-675</td> <td>122</td> <td>1/2</td> <td>2900</td> <td>1\"/&gt;  <tr> <td>U-48</td> <td>"</td> <td>"</td> <td>V-675</td> <td>122</td> <td>1/2</td> <td>2900</td> <td>1\"/&gt;  <tr> <td>U-49</td> <td>"</td> <td>"</td> <td>V-675</td> <td>122</td> <td>1/2</td> <td>2900</td> <td>1\"/&gt;  <tr> <td>U-50</td> <td>"</td> <td>"</td> <td>V-675</td> <td>122</td> <td>1/2</td> <td>2900</td> <td>1\"/&gt;  </td></tr></td></tr></td></tr></td></tr></td></tr></td></tr></td></tr></td></tr></td></tr></td></tr></td></tr></td></tr></td></tr>   | U-38 | " | " | V-675 | 122 | 1/2 | 2900 | 1\"/> <tr> <td>U-39</td> <td>"</td> <td>"</td> <td>V-675</td> <td>122</td> <td>1/2</td> <td>2900</td> <td>1\"/&gt;  <tr> <td>U-40</td> <td>"</td> <td>"</td> <td>V-675</td> <td>122</td> <td>1/2</td> <td>2900</td> <td>1\"/&gt;  <tr> <td>U-41</td> <td>"</td> <td>"</td> <td>V-675</td> <td>122</td> <td>1/2</td> <td>2900</td> <td>1\"/&gt;  <tr> <td>U-42</td> <td>"</td> <td>"</td> <td>V-675</td> <td>122</td> <td>1/2</td> <td>2900</td> <td>1\"/&gt;  <tr> <td>U-43</td> <td>"</td> <td>"</td> <td>V-675</td> <td>122</td> <td>1/2</td> <td>2900</td> <td>1\"/&gt;  <tr> <td>U-44</td> <td>"</td> <td>"</td> <td>V-675</td> <td>122</td> <td>1/2</td> <td>2900</td> <td>1\"/&gt;  <tr> <td>U-45</td> <td>"</td> <td>"</td> <td>V-675</td> <td>122</td> <td>1/2</td> <td>2900</td> <td>1\"/&gt;  <tr> <td>U-46</td> <td>"</td> <td>"</td> <td>V-675</td> <td>122</td> <td>1/2</td> <td>2900</td> <td>1\"/&gt;  <tr> <td>U-47</td> <td>"</td> <td>"</td> <td>V-675</td> <td>122</td> <td>1/2</td> <td>2900</td> <td>1\"/&gt;  <tr> <td>U-48</td> <td>"</td> <td>"</td> <td>V-675</td> <td>122</td> <td>1/2</td> <td>2900</td> <td>1\"/&gt;  <tr> <td>U-49</td> <td>"</td> <td>"</td> <td>V-675</td> <td>122</td> <td>1/2</td> <td>2900</td> <td>1\"/&gt;  <tr> <td>U-50</td> <td>"</td> <td>"</td> <td>V-675</td> <td>122</td> <td>1/2</td> <td>2900</td> <td>1\"/&gt;  </td></tr></td></tr></td></tr></td></tr></td></tr></td></tr></td></tr></td></tr></td></tr></td></tr></td></tr></td></tr>   | U-39 | " | " | V-675 | 122 | 1/2 | 2900 | 1\"/> <tr> <td>U-40</td> <td>"</td> <td>"</td> <td>V-675</td> <td>122</td> <td>1/2</td> <td>2900</td> <td>1\"/&gt;  <tr> <td>U-41</td> <td>"</td> <td>"</td> <td>V-675</td> <td>122</td> <td>1/2</td> <td>2900</td> <td>1\"/&gt;  <tr> <td>U-42</td> <td>"</td> <td>"</td> <td>V-675</td> <td>122</td> <td>1/2</td> <td>2900</td> <td>1\"/&gt;  <tr> <td>U-43</td> <td>"</td> <td>"</td> <td>V-675</td> <td>122</td> <td>1/2</td> <td>2900</td> <td>1\"/&gt;  <tr> <td>U-44</td> <td>"</td> <td>"</td> <td>V-675</td> <td>122</td> <td>1/2</td> <td>2900</td> <td>1\"/&gt;  <tr> <td>U-45</td> <td>"</td> <td>"</td> <td>V-675</td> <td>122</td> <td>1/2</td> <td>2900</td> <td>1\"/&gt;  <tr> <td>U-46</td> <td>"</td> <td>"</td> <td>V-675</td> <td>122</td> <td>1/2</td> <td>2900</td> <td>1\"/&gt;  <tr> <td>U-47</td> <td>"</td> <td>"</td> <td>V-675</td> <td>122</td> <td>1/2</td> <td>2900</td> <td>1\"/&gt;  <tr> <td>U-48</td> <td>"</td> <td>"</td>
<td>V-675</td> <td>122</td> <td>1/2</td> <td>2900</td> <td>1\"/&gt;  <tr> <td>U-49</td> <td>"</td> <td>"</td> <td>V-675</td> <td>122</td> <td>1/2</td> <td>2900</td> <td>1\"/&gt;  <tr> <td>U-50</td> <td>"</td> <td>"</td> <td>V-675</td> <td>122</td> <td>1/2</td> <td>2900</td> <td>1\"/&gt;  </td></tr></td></tr></td></tr></td></tr></td></tr></td></tr></td></tr></td></tr></td></tr></td></tr></td></tr>   | U-40 | " | " | V-675 | 122 | 1/2 | 2900 | 1\"/> <tr> <td>U-41</td> <td>"</td> <td>"</td> <td>V-675</td> <td>122</td> <td>1/2</td> <td>2900</td> <td>1\"/&gt;  <tr> <td>U-42</td> <td>"</td> <td>"</td> <td>V-675</td> <td>122</td> <td>1/2</td> <td>2900</td> <td>1\"/&gt;  <tr> <td>U-43</td> <td>"</td> <td>"</td> <td>V-675</td> <td>122</td> <td>1/2</td> <td>2900</td> <td>1\"/&gt;  <tr> <td>U-44</td> <td>"</td> <td>"</td> <td>V-675</td> <td>122</td> <td>1/2</td> <td>2900</td> <td>1\"/&gt;  <tr> <td>U-45</td> <td>"</td> <td>"</td> <td>V-675</td> <td>122</td> <td>1/2</td> <td>2900</td> <td>1\"/&gt;  <tr> <td>U-46</td> <td>"</td> <td>"</td> <td>V-675</td> <td>122</td> <td>1/2</td> <td>2900</td> <td>1\"/&gt;  <tr> <td>U-47</td> <td>"</td> <td>"</td> <td>V-675</td> <td>122</td> <td>1/2</td> <td>2900</td> <td>1\"/&gt;  <tr> <td>U-48</td> <td>"</td> <td>"</td> <td>V-675</td> <td>122</td> <td>1/2</td> <td>2900</td> <td>1\"/&gt;  <tr> <td>U-49</td> <td>"</td> <td>"</td> <td>V-675</td> <td>122</td> <td>1/2</td> <td>2900</td> <td>1\"/&gt;  <tr> <td>U-50</td> <td>"</td> <td>"</td> <td>V-675</td> <td>122</td> <td>1/2</td> <td>2900</td> <td>1\"/&gt;  </td></tr></td></tr></td></tr></td></tr></td></tr></td></tr></td></tr></td></tr></td></tr></td></tr>   | U-41 | " | " | V-675 | 122 | 1/2 | 2900 | 1\"/> <tr> <td>U-42</td> <td>"</td> <td>"</td> <td>V-675</td> <td>122</td> <td>1/2</td> <td>2900</td> <td>1\"/&gt;  <tr> <td>U-43</td> <td>"</td> <td>"</td> <td>V-675</td> <td>122</td> <td>1/2</td> <td>2900</td> <td>1\"/&gt;  <tr> <td>U-44</td> <td>"</td> <td>"</td> <td>V-675</td> <td>122</td> <td>1/2</td> <td>2900</td> <td>1\"/&gt;  <tr> <td>U-45</td> <td>"</td> <td>"</td> <td>V-675</td> <td>122</td> <td>1/2</td> <td>2900</td> <td>1\"/&gt;  <tr> <td>U-46</td> <td>"</td> <td>"</td> <td>V-675</td> <td>122</td> <td>1/2</td> <td>2900</td> <td>1\"/&gt;  <tr> <td>U-47</td> <td>"</td> <td>"</td> <td>V-675</td> <td>122</td> <td>1/2</td> <td>2900</td> <td>1\"/&gt;  <tr> <td>U-48</td> <td>"</td> <td>"</td> <td>V-675</td> <td>122</td> <td>1/2</td> <td>2900</td> <td>1\"/&gt;  <tr> <td>U-49</td> <td>"</td> <td>"</td> <td>V-675</td> <td>122</td> <td>1/2</td> <td>2900</td> <td>1\"/&gt;  <tr> <td>U-50</td> <td>"</td> <td>"</td> <td>V-675</td> <td>122</td> <td>1/2</td> <td>2900</td> <td>1\"/&gt;  </td></tr></td></tr></td></tr></td></tr></td></tr></td></tr></td></tr></td></tr></td></tr>  
  | U-42 | " | " | V-675 | 122 | 1/2 | 2900 | 1\"/> <tr> <td>U-43</td> <td>"</td> <td>"</td> <td>V-675</td> <td>122</td> <td>1/2</td> <td>2900</td> <td>1\"/&gt;  <tr> <td>U-44</td> <td>"</td> <td>"</td> <td>V-675</td> <td>122</td> <td>1/2</td> <td>2900</td> <td>1\"/&gt;  <tr> <td>U-45</td> <td>"</td> <td>"</td> <td>V-675</td> <td>122</td> <td>1/2</td> <td>2900</td> <td>1\"/&gt;  <tr> <td>U-46</td> <td>"</td> <td>"</td> <td>V-675</td> <td>122</td> <td>1/2</td> <td>2900</td> <td>1\"/&gt;  <tr> <td>U-47</td> <td>"</td> <td>"</td> <td>V-675</td> <td>122</td> <td>1/2</td> <td>2900</td> <td>1\"/&gt;  <tr> <td>U-48</td> <td>"</td> <td>"</td> <td>V-675</td> <td>122</td> <td>1/2</td> <td>2900</td> <td>1\"/&gt;  <tr> <td>U-49</td> <td>"</td> <td>"</td> <td>V-675</td> <td>122</td> <td>1/2</td> <td>2900</td> <td>1\"/&gt;  <tr> <td>U-50</td> <td>"</td> <td>"</td> <td>V-675</td> <td>122</td> <td>1/2</td> <td>2900</td> <td>1\"/&gt;  </td></tr></td></tr></td></tr></td></tr></td></tr></td></tr></td></tr></td></tr>   | U-43 | " | " | V-675 | 122 | 1/2 | 2900 | 1\"/> <tr> <td>U-44</td> <td>"</td> <td>"</td> <td>V-675</td> <td>122</td> <td>1/2</td> <td>2900</td> <td>1\"/&gt;  <tr> <td>U-45</td> <td>"</td> <td>"</td> <td>V-675</td> <td>122</td> <td>1/2</td> <td>2900</td> <td>1\"/&gt;  <tr> <td>U-46</td> <td>"</td> <td>"</td> <td>V-675</td> <td>122</td> <td>1/2</td> <td>2900</td> <td>1\"/&gt;  <tr> <td>U-47</td> <td>"</td> <td>"</td> <td>V-675</td> <td>122</td> <td>1/2</td> <td>2900</td> <td>1\"/&gt;  <tr> <td>U-48</td> <td>"</td> <td>"</td> <td>V-675</td> <td>122</td> <td>1/2</td> <td>2900</td> <td>1\"/&gt;  <tr> <td>U-49</td> <td>"</td> <td>"</td> <td>V-675</td> <td>122</td> <td>1/2</td> <td>2900</td> <td>1\"/&gt;  <tr> <td>U-50</td> <td>"</td> <td>"</td> <td>V-675</td> <td>122</td> <td>1/2</td> <td>2900</td> <td>1\"/&gt;  </td></tr></td></tr></td></tr></td></tr></td></tr></td></tr></td></tr>   | U-44 | " | " | V-675 | 122 | 1/2 | 2900 | 1\"/> <tr> <td>U-45</td> <td>"</td> <td>"</td> <td>V-675</td> <td>122</td> <td>1/2</td> <td>2900</td> <td>1\"/&gt;  <tr> <td>U-46</td> <td>"</td> <td>"</td> <td>V-675</td> <td>122</td> <td>1/2</td> <td>2900</td> <td>1\"/&gt;  <tr> <td>U-47</td> <td>"</td> <td>"</td> <td>V-675</td> <td>122</td> <td>1/2</td> <td>2900</td> <td>1\"/&gt;  <tr> <td>U-48</td> <td>"</td> <td>"</td> <td>V-675</td> <td>122</td> <td>1/2</td> <td>2900</td> <td>1\"/&gt;  <tr> <td>U-49</td> <td>"</td> <td>"</td> <td>V-675</td> <td>122</td> <td>1/2</td> <td>2900</td> <td>1\"/&gt;  <tr> <td>U-50</td> <td>"</td> <td>"</td> <td>V-675</td> <td>122</td> <td>1/2</td> <td>2900</td> <td>1\"/&gt;  </td></tr></td></tr></td></tr></td></tr></td></tr></td></tr>   
   | U-45 | " | " | V-675 | 122 | 1/2 | 2900 | 1\"/> <tr> <td>U-46</td> <td>"</td> <td>"</td> <td>V-675</td> <td>122</td> <td>1/2</td> <td>2900</td> <td>1\"/&gt;  <tr> <td>U-47</td> <td>"</td> <td>"</td> <td>V-675</td> <td>122</td> <td>1/2</td> <td>2900</td> <td>1\"/&gt;  <tr> <td>U-48</td> <td>"</td> <td>"</td> <td>V-675</td> <td>122</td> <td>1/2</td> <td>2900</td> <td>1\"/&gt;  <tr> <td>U-49</td> <td>"</td> <td>"</td> <td>V-675</td> <td>122</td> <td>1/2</td> <td>2900</td> <td>1\"/&gt;  <tr> <td>U-50</td> <td>"</td> <td>"</td> <td>V-675</td> <td>122</td> <td>1/2</td> <td>2900</td> <td>1\"/&gt;  </td></tr></td></tr></td></tr></td></tr></td></tr>   | U-46 | " | " | V-675 | 122 | 1/2 | 2900 | 1\"/> <tr> <td>U-47</td> <td>"</td> <td>"</td> <td>V-675</td> <td>122</td> <td>1/2</td> <td>2900</td> <td>1\"/&gt;  <tr> <td>U-48</td> <td>"</td> <td>"</td> <td>V-675</td> <td>122</td> <td>1/2</td> <td>2900</td> <td>1\"/&gt;  <tr> <td>U-49</td> <td>"</td> <td>"</td> <td>V-675</td> <td>122</td> <td>1/2</td> <td>2900</td> <td>1\"/&gt;  <tr> <td>U-50</td> <td>"</td> <td>"</td> <td>V-675</td> <td>122</td> <td>1/2</td> <td>2900</td> <td>1\"/&gt;  </td></tr></td></tr></td></tr></td></tr>   | U-47 | " | " | V-675 | 122 | 1/2 | 2900 | 1\"/> <tr> <td>U-48</td> <td>"</td> <td>"</td> <td>V-675</td> <td>122</td> <td>1/2</td> <td>2900</td> <td>1\"/&gt;  <tr> <td>U-49</td> <td>"</td> <td>"</td> <td>V-675</td> <td>122</td> <td>1/2</td> <td>2900</td> <td>1\"/&gt;  <tr> <td>U-50</td> <td>"</td> <td>"</td> <td>V-675</td> <td>122</td> <td>1/2</td> <td>2900</td> <td>1\"/&gt;  </td></tr></td></tr></td></tr>   | U-48 | " | " | V-675 | 122 | 1/2 | 2900 | 1\"/> <tr> <td>U-49</td> <td>"</td> <td>"</td> <td>V-675</td> <td>122</td> <td>1/2</td> <td>2900</td> <td>1\"/&gt;  <tr> <td>U-50</td> <td>"</td> <td>"</td> <td>V-675</td> <td>122</td> <td>1/2</td> <td>2900</td> <td>1\"/&gt; 
</td></tr></td></tr>   | U-49 | " | " | V-675 | 122 | 1/2 | 2900 | 1\"/> <tr> <td>U-50</td> <td>"</td> <td>"</td> <td>V-675</td> <td>122</td> <td>1/2</td> <td>2900</td> <td>1\"/&gt;  </td></tr>   | U-50 | " | " | V-675 | 122 | 1/2 | 2900 | 1\"/>  |      |   |   |       |     |     |      |   
  |      |   |   |       |     |     |      |  |      |   |   |       |     |     |      |  |      |   |   |       |     |     |      |  |      |   |   |       |     |     |      |  |      |   |   |       |     |     |      | | | | | | | | | | | | | | | | | | | | | | | | | |
   |      |   |   |       |     |     |      |  |      |   |   |       |     |     |      |  |      |   |   |       |     |     |      |  |      |   |   |       |     |     |      |  |      |   |   |       |     |     |      |  |      |   |   |       |     |     |      |  |      |   |   |       |     |     |      |   
  |      |   |   |       |     |     |      |  |      |   |   |       |     |     |      |  |      |   |   |       |     |     |      |  |      |   |   |       |     |     |      |  |      |   |   |       |     |     |      |  |      |   |   |       |     |     |      |  |      |   |   |       |     |     |      |  |      |   |   |       |     |     |      |       |
| U-17 | "             | "                       | V-675    | 122  | 1/2           | 2900    | 1\"/> <tr> <td>U-18</td> <td>"</td> <td>"</td> <td>V-675</td> <td>122</td> <td>1/2</td> <td>2900</td> <td>1\"/&gt;  <tr> <td>U-19</td> <td>"</td> <td>"</td> <td>V-675</td> <td>122</td> <td>1/2</td> <td>2900</td> <td>1\"/&gt;  <tr> <td>U-20</td> <td>"</td> <td>"</td> <td>V-675</td> <td>122</td> <td>1/2</td> <td>2900</td> <td>1\"/&gt;  <tr> <td>U-21</td> <td>"</td> <td>"</td> <td>V-675</td> <td>122</td> <td>1/2</td> <td>2900</td> <td>1\"/&gt;  <tr> <td>U-22</td> <td>"</td> <td>"</td> <td>V-675</td> <td>122</td> <td>1/2</td> <td>2900</td> <td>1\"/&gt;  <tr> <td>U-23</td> <td>"</td> <td>"</td> <td>V-675</td> <td>122</td> <td>1/2</td> <td>2900</td> <td>1\"/&gt;  <tr> <td>U-24</td> <td>"</td> <td>"</td> <td>V-675</td> <td>122</td> <td>1/2</td> <td>2900</td> <td>1\"/&gt;  <tr> <td>U-25</td> <td>"</td> <td>"</td> <td>V-675</td> <td>122</td> <td>1/2</td> <td>2900</td> <td>1\"/&gt;  <tr> <td>U-26</td> <td>"</td> <td>"</td> <td>V-675</td> <td>122</td> <td>1/2</td> <td>2900</td> <td>1\"/&gt;  <tr> <td>U-27</td> <td>"</td> <td>"</td> <td>V-675</td> <td>122</td> <td>1/2</td> <td>2900</td> <td>1\"/&gt;  <tr> <td>U-28</td> <td>"</td> <td>"</td> <td>V-675</td> <td>122</td> <td>1/2</td> <td>2900</td> <td>1\"/&gt;  <tr> <td>U-29</td> <td>"</td> <td>"</td> <td>V-675</td> <td>122</td> <td>1/2</td> <td>2900</td> <td>1\"/&gt;  <tr> <td>U-30</td> <td>"</td> <td>"</td> <td>V-675</td> <td>122</td> <td>1/2</td> <td>2900</td> <td>1\"/&gt;  <tr> <td>U-31</td> <td>"</td> <td>"</td> <td>V-675</td> <td>122</td> <td>1/2</td> <td>2900</td> <td>1\"/&gt;  <tr> <td>U-32</td> <td>"</td> <td>"</td> <td>V-675</td> <td>122</td> <td>1/2</td> <td>2900</td> <td>1\"/&gt;  <tr> <td>U-33</td> <td>"</td> <td>"</td> <td>V-675</td> <td>122</td> <td>1/2</td> <td>2900</td> <td>1\"/&gt;  <tr> <td>U-34</td> <td>"</td> <td>"</td> <td>V-675</td> <td>122</td> <td>1/2</td> <td>2900</td> <td>1\"/&gt;  <tr> <td>U-35</td> <td>"</td> <td>"</td> <td>V-675</td> <td>122</td> <td>1/2</td> <td>2900</td> <td>1\"/&gt;  <tr> <td>U-36</td> <td>"</td> <td>"</td> <td>V-675</td> <td>122</td> <td>1/2</td> <td>2900</td> <td>1\"/&gt;  <tr> <td>U-37</td> <td>"</td> <td>"</td> <td>V-675</td> <td>122</td> <td>1/2</td> <td>2900</td> <td>1\"/&gt;  <tr> <td>U-38</td> <td>"</td> <td>"</td> <td>V-675</td> <td>122</td> <td>1/2</td> <td>2900</td> <td>1\"/&gt;  <tr> <td>U-39</td> <td>"</td> <td>"</td> <td>V-675</td> <td>122</td> <td>1/2</td> <td>2900</td> <td>1\"/&gt;  <tr> <td>U-40</td> <td>"</td> <td>"</td> <td>V-675</td> <td>122</td> <td>1/2</td> <td>2900</td> <td>1\"/&gt;  <tr> <td>U-41</td> <td>"</td> <td>"</td> <td>V-675</td> <td>122</td> <td>1/2</td> <td>2900</td> <td>1\"/&gt;  <tr> <td>U-42</td> <td>"</td> <td>"</td> <td>V-675</td> <td>122</td> <td>1/2</td> <td>2900</td> <td>1\"/&gt;  <tr> <td>U-43</td> <td>"</td> <td>"</td> <td>V-675</td> <td>122</td> <td>1/2</td> <td>2900</td> <td>1\"/&gt;  <tr> <td>U-44</td> <td>"</td> <td>"</td> <td>V-675</td> <td>122</td> <td>1/2</td> <td>2900</td> <td>1\"/&gt;  <tr> <td>U-45</td> <td>"</td> <td>"</td> <td>V-675</td> <td>122</td> <td>1/2</td> <td>2900</td> <td>1\"/&gt;  <tr> <td>U-46</td> <td>"</td> <td>"</td> <td>V-675</td> <td>122</td> <td>1/2</td> <td>2900</td> <td>1\"/&gt;  <tr> <td>U-47</td> <td>"</td> <td>"</td> <td>V-675</td> <td>122</td> <td>1/2</td> <td>2900</td> <td>1\"/&gt;  <tr> <td>U-48</td> <td>"</td> <td>"</td> <td>V-675</td> <td>122</td> <td>1/2</td> <td>2900</td> <td>1\"/&gt;  <tr> <td>U-49</td> <td>"</td> <td>"</td> <td>V-675</td> <td>122</td> <td>1/2</td> <td>2900</td> <td>1\"/&gt;  <tr> <td>U-50</td> <td>"</td> <td>"</td> <td>V-675</td> <td>122</td> <td>1/2</td> <td>2900</td> <td>1\"/&gt;  </td></tr></td></tr></td></tr></td></tr></td></tr></td></tr></td></tr></td></tr></td></tr></td></tr></td></tr></td></tr></td></tr></td></tr></td></tr></td></tr></td></tr></td></tr></td></tr></td></tr></td></tr></td></tr></td></tr></td></tr></td></tr></td></tr></td></tr></td></tr></td></tr></td></tr></td></tr></td></tr></td></tr>  | U-18 | " | " | V-675  | 122  | 1/2 | 2900   | 1\"/> <tr> <td>U-19</td> <td>"</td> <td>"</td> <td>V-675</td> <td>122</td> <td>1/2</td> <td>2900</td> <td>1\"/&gt;  <tr> <td>U-20</td> <td>"</td> <td>"</td> <td>V-675</td> <td>122</td> <td>1/2</td> <td>2900</td> <td>1\"/&gt;  <tr> <td>U-21</td> <td>"</td> <td>"</td> <td>V-675</td> <td>122</td> <td>1/2</td> <td>2900</td> <td>1\"/&gt;  <tr> <td>U-22</td> <td>"</td> <td>"</td> <td>V-675</td> <td>122</td> <td>1/2</td> <td>2900</td> <td>1\"/&gt;  <tr> <td>U-23</td> <td>"</td> <td>"</td> <td>V-675</td> <td>122</td> <td>1/2</td> <td>2900</td> <td>1\"/&gt;  <tr> <td>U-24</td> <td>"</td> <td>"</td> <td>V-675</td> <td>122</td> <td>1/2</td> <td>2900</td> <td>1\"/&gt;  <tr> <td>U-25</td> <td>"</td> <td>"</td> <td>V-675</td> <td>122</td> <td>1/2</td> <td>2900</td> <td>1\"/&gt;  <tr> <td>U-26</td> <td>"</td> <td>"</td> <td>V-675</td> <td>122</td> <td>1/2</td> <td>2900</td> <td>1\"/&gt;  <tr> <td>U-27</td> <td>"</td> <td>"</td> <td>V-675</td> <td>122</td> <td>1/2</td> <td>2900</td> <td>1\"/&gt;  <tr> <td>U-28</td> <td>"</td> <td>"</td> <td>V-675</td> <td>122</td> <td>1/2</td> <td>2900</td> <td>1\"/&gt;  <tr> <td>U-29</td> <td>"</td> <td>"</td> <td>V-675</td> <td>122</td> <td>1/2</td> <td>2900</td> <td>1\"/&gt;  <tr> <td>U-30</td> <td>"</td> <td>"</td> <td>V-675</td> <td>122</td> <td>1/2</td> <td>2900</td> <td>1\"/&gt;  <tr> <td>U-31</td> <td>"</td> <td>"</td> <td>V-675</td> <td>122</td> <td>1/2</td> <td>2900</td> <td>1\"/&gt;  <tr> <td>U-32</td> <td>"</td> <td>"</td> <td>V-675</td> <td>122</td> <td>1/2</td> <td>2900</td> <td>1\"/&gt;  <tr> <td>U-33</td> <td>"</td> <td>"</td> <td>V-675</td> <td>122</td> <td>1/2</td> <td>2900</td> <td>1\"/&gt;  <tr> <td>U-34</td> <td>"</td> <td>"</td> <td>V-675</td> <td>122</td> <td>1/2</td> <td>2900</td> <td>1\"/&gt;  <tr> <td>U-35</td> <td>"</td> <td>"</td> <td>V-675</td> <td>122</td> <td>1/2</td> <td>2900</td> <td>1\"/&gt;  <tr> <td>U-36</td> <td>"</td> <td>"</td> <td>V-675</td> <td>122</td> <td>1/2</td> <td>2900</td> <td>1\"/&gt;  <tr> <td>U-37</td> <td>"</td> <td>"</td> <td>V-675</td> <td>122</td> <td>1/2</td> <td>2900</td> <td>1\"/&gt;  <tr> <td>U-38</td> <td>"</td> <td>"</td> <td>V-675</td> <td>122</td> <td>1/2</td> <td>2900</td> <td>1\"/&gt;  <tr> <td>U-39</td> <td>"</td> <td>"</td> <td>V-675</td> <td>122</td> <td>1/2</td> <td>2900</td> <td>1\"/&gt;  <tr> <td>U-40</td> <td>"</td> <td>"</td> <td>V-675</td> <td>122</td> <td>1/2</td> <td>2900</td> <td>1\"/&gt;  <tr> <td>U-41</td> <td>"</td> <td>"</td> <td>V-675</td> <td>122</td> <td>1/2</td> <td>2900</td> <td>1\"/&gt;  <tr> <td>U-42</td> <td>"</td> <td>"</td> <td>V-675</td> <td>122</td> <td>1/2</td> <td>2900</td> <td>1\"/&gt;  <tr> <td>U-43</td> <td>"</td> <td>"</td> <td>V-675</td> <td>122</td> <td>1/2</td> <td>2900</td> <td>1\"/&gt;  <tr> <td>U-44</td> <td>"</td> <td>"</td> <td>V-675</td> <td>122</td> <td>1/2</td> <td>2900</td> <td>1\"/&gt;  <tr> <td>U-45</td> <td>"</td> <td>"</td> <td>V-675</td> <td>122</td> <td>1/2</td> <td>2900</td> <td>1\"/&gt;  <tr> <td>U-46</td> <td>"</td> <td>"</td> <td>V-675</td> <td>122</td> <td>1/2</td> <td>2900</td> <td>1\"/&gt;  <tr> <td>U-47</td> <td>"</td> <td>"</td> <td>V-675</td> <td>122</td> <td>1/2</td> <td>2900</td> <td>1\"/&gt;  <tr> <td>U-48</td> <td>"</td> <td>"</td> <td>V-675</td> <td>122</td> <td>1/2</td> <td>2900</td> <td>1\"/&gt; 
<tr> <td>U-49</td> <td>"</td> <td>"</td> <td>V-675</td> <td>122</td> <td>1/2</td> <td>2900</td> <td>1\"/&gt;  <tr> <td>U-50</td> <td>"</td> <td>"</td> <td>V-675</td> <td>122</td> <td>1/2</td> <td>2900</td> <td>1\"/&gt;  </td></tr></td></tr></td></tr></td></tr></td></tr></td></tr></td></tr></td></tr></td></tr></td></tr></td></tr></td></tr></td></tr></td></tr></td></tr></td></tr></td></tr></td></tr></td></tr></td></tr></td></tr></td></tr></td></tr></td></tr></td></tr></td></tr></td></tr></td></tr></td></tr></td></tr></td></tr></td></tr>   | U-19 | " | " | V-675  | 122 | 1/2 | 2900   | 1\"/> <tr> <td>U-20</td> <td>"</td> <td>"</td> <td>V-675</td> <td>122</td> <td>1/2</td> <td>2900</td> <td>1\"/&gt;  <tr> <td>U-21</td> <td>"</td> <td>"</td> <td>V-675</td> <td>122</td> <td>1/2</td> <td>2900</td> <td>1\"/&gt;  <tr> <td>U-22</td> <td>"</td> <td>"</td> <td>V-675</td> <td>122</td> <td>1/2</td> <td>2900</td> <td>1\"/&gt;  <tr> <td>U-23</td> <td>"</td> <td>"</td> <td>V-675</td> <td>122</td> <td>1/2</td> <td>2900</td> <td>1\"/&gt;  <tr> <td>U-24</td> <td>"</td> <td>"</td> <td>V-675</td> <td>122</td> <td>1/2</td> <td>2900</td> <td>1\"/&gt;  <tr> <td>U-25</td> <td>"</td> <td>"</td> <td>V-675</td> <td>122</td> <td>1/2</td> <td>2900</td> <td>1\"/&gt;  <tr> <td>U-26</td> <td>"</td> <td>"</td> <td>V-675</td> <td>122</td> <td>1/2</td> <td>2900</td> <td>1\"/&gt;  <tr> <td>U-27</td> <td>"</td> <td>"</td> <td>V-675</td> <td>122</td> <td>1/2</td> <td>2900</td> <td>1\"/&gt;  <tr> <td>U-28</td> <td>"</td> <td>"</td> <td>V-675</td> <td>122</td> <td>1/2</td> <td>2900</td> <td>1\"/&gt;  <tr> <td>U-29</td> <td>"</td> <td>"</td> <td>V-675</td> <td>122</td> <td>1/2</td> <td>2900</td> <td>1\"/&gt;  <tr> <td>U-30</td> <td>"</td> <td>"</td> <td>V-675</td> <td>122</td> <td>1/2</td> <td>2900</td> <td>1\"/&gt;  <tr> <td>U-31</td> <td>"</td> <td>"</td> <td>V-675</td> <td>122</td> <td>1/2</td> <td>2900</td> <td>1\"/&gt;  <tr> <td>U-32</td> <td>"</td> <td>"</td> <td>V-675</td> <td>122</td> <td>1/2</td> <td>2900</td> <td>1\"/&gt;  <tr> <td>U-33</td> <td>"</td> <td>"</td> <td>V-675</td> <td>122</td> <td>1/2</td> <td>2900</td> <td>1\"/&gt;  <tr> <td>U-34</td> <td>"</td> <td>"</td> <td>V-675</td> <td>122</td> <td>1/2</td> <td>2900</td> <td>1\"/&gt;  <tr> <td>U-35</td> <td>"</td> <td>"</td> <td>V-675</td> <td>122</td> <td>1/2</td> <td>2900</td> <td>1\"/&gt;  <tr> <td>U-36</td> <td>"</td> <td>"</td> <td>V-675</td> <td>122</td> <td>1/2</td> <td>2900</td> <td>1\"/&gt;  <tr> <td>U-37</td> <td>"</td> <td>"</td> <td>V-675</td> <td>122</td> <td>1/2</td> <td>2900</td> <td>1\"/&gt;  <tr> <td>U-38</td> <td>"</td> <td>"</td> <td>V-675</td> <td>122</td> <td>1/2</td> <td>2900</td> <td>1\"/&gt;  <tr> <td>U-39</td> <td>"</td> <td>"</td> <td>V-675</td> <td>122</td> <td>1/2</td> <td>2900</td> <td>1\"/&gt;  <tr> <td>U-40</td> <td>"</td> <td>"</td> <td>V-675</td> <td>122</td> <td>1/2</td> <td>2900</td> <td>1\"/&gt;  <tr> <td>U-41</td> <td>"</td> <td>"</td> <td>V-675</td> <td>122</td> <td>1/2</td> <td>2900</td> <td>1\"/&gt;  <tr> <td>U-42</td> <td>"</td> <td>"</td> <td>V-675</td> <td>122</td> <td>1/2</td> <td>2900</td> <td>1\"/&gt;  <tr> <td>U-43</td> <td>"</td> <td>"</td> <td>V-675</td> <td>122</td> <td>1/2</td> <td>2900</td> <td>1\"/&gt;  <tr> <td>U-44</td> <td>"</td> <td>"</td> <td>V-675</td> <td>122</td> <td>1/2</td> <td>2900</td> <td>1\"/&gt;  <tr> <td>U-45</td> <td>"</td> <td>"</td> <td>V-675</td> <td>122</td> <td>1/2</td> <td>2900</td> <td>1\"/&gt;  <tr> <td>U-46</td> <td>"</td> <td>"</td> <td>V-675</td> <td>122</td> <td>1/2</td> <td>2900</td> <td>1\"/&gt;  <tr> <td>U-47</td> <td>"</td> <td>"</td> <td>V-675</td> <td>122</td> <td>1/2</td> <td>2900</td> <td>1\"/&gt;  <tr> <td>U-48</td> <td>"</td> <td>"</td> <td>V-675</td> <td>122</td> <td>1/2</td> <td>2900</td> <td>1\"/&gt;  <tr> <td>U-49</td> <td>"</td> <td>"</td> <td>V-675</td> <td>122</td> <td>1/2</td> <td>2900</td> <td>1\"/&gt;  <tr> <td>U-50</td> <td>"</td> <td>"</td> <td>V-675</td> <td>122</td> <td>1/2</td> <td>2900</td> <td>1\"/&gt;  </td></tr></td></tr></td></tr></td></tr></td></tr></td></tr></td></tr></td></tr></td></tr></td></tr></td></tr></td></tr></td></tr></td></tr></td></tr></td></tr></td></tr></td></tr></td></tr></td></tr></td></tr></td></tr></td></tr></td></tr></td></tr></td></tr></td></tr></td></tr></td></tr></td></tr></td></tr>   | U-20 | " | " | V-675 | 122 | 1/2 | 2900    | 1\"/> <tr> <td>U-21</td> <td>"</td> <td>"</td> <td>V-675</td> <td>122</td> <td>1/2</td> <td>2900</td> <td>1\"/&gt;  <tr> <td>U-22</td> <td>"</td> <td>"</td> <td>V-675</td> <td>122</td> <td>1/2</td> <td>2900</td> <td>1\"/&gt;  <tr> <td>U-23</td> <td>"</td> <td>"</td> <td>V-675</td> <td>122</td> <td>1/2</td> <td>2900</td> <td>1\"/&gt;  <tr> <td>U-24</td> <td>"</td> <td>"</td> <td>V-675</td> <td>122</td> <td>1/2</td> <td>2900</td> <td>1\"/&gt;  <tr> <td>U-25</td> <td>"</td> <td>"</td> <td>V-675</td> <td>122</td> <td>1/2</td> <td>2900</td> <td>1\"/&gt;  <tr> <td>U-26</td> <td>"</td> <td>"</td> <td>V-675</td> <td>122</td> <td>1/2</td> <td>2900</td> <td>1\"/&gt;  <tr> <td>U-27</td> <td>"</td> <td>"</td> <td>V-675</td> <td>122</td> <td>1/2</td> <td>2900</td> <td>1\"/&gt;  <tr> <td>U-28</td> <td>"</td> <td>"</td> <td>V-675</td> <td>122</td> <td>1/2</td> <td>2900</td> <td>1\"/&gt;  <tr> <td>U-29</td> <td>"</td> <td>"</td> <td>V-675</td> <td>122</td> <td>1/2</td> <td>2900</td> <td>1\"/&gt;  <tr> <td>U-30</td> <td>"</td> <td>"</td> <td>V-675</td> <td>122</td> <td>1/2</td> <td>2900</td> <td>1\"/&gt;  <tr> <td>U-31</td> <td>"</td> <td>"</td> <td>V-675</td> <td>122</td> <td>1/2</td> <td>2900</td> <td>1\"/&gt;  <tr> <td>U-32</td> <td>"</td> <td>"</td> <td>V-675</td> <td>122</td> <td>1/2</td> <td>2900</td> <td>1\"/&gt;  <tr> <td>U-33</td> <td>"</td> <td>"</td> <td>V-675</td> <td>122</td> <td>1/2</td> <td>2900</td> <td>1\"/&gt;  <tr> <td>U-34</td> <td>"</td> <td>"</td> <td>V-675</td> <td>122</td> <td>1/2</td> <td>2900</td> <td>1\"/&gt;  <tr> <td>U-35</td> <td>"</td> <td>"</td> <td>V-675</td> <td>122</td> <td>1/2</td> <td>2900</td> <td>1\"/&gt;  <tr> <td>U-36</td> <td>"</td> <td>"</td> <td>V-675</td> <td>122</td> <td>1/2</td> <td>2900</td> <td>1\"/&gt;  <tr> <td>U-37</td> <td>"</td> <td>"</td>
<td>V-675</td> <td>122</td> <td>1/2</td> <td>2900</td> <td>1\"/&gt;  <tr> <td>U-38</td> <td>"</td> <td>"</td> <td>V-675</td> <td>122</td> <td>1/2</td> <td>2900</td> <td>1\"/&gt;  <tr> <td>U-39</td> <td>"</td> <td>"</td> <td>V-675</td> <td>122</td> <td>1/2</td> <td>2900</td> <td>1\"/&gt;  <tr> <td>U-40</td> <td>"</td> <td>"</td> <td>V-675</td> <td>122</td> <td>1/2</td> <td>2900</td> <td>1\"/&gt;  <tr> <td>U-41</td> <td>"</td> <td>"</td> <td>V-675</td> <td>122</td> <td>1/2</td> <td>2900</td> <td>1\"/&gt;  <tr> <td>U-42</td> <td>"</td> <td>"</td> <td>V-675</td> <td>122</td> <td>1/2</td> <td>2900</td> <td>1\"/&gt;  <tr> <td>U-43</td> <td>"</td> <td>"</td> <td>V-675</td> <td>122</td> <td>1/2</td> <td>2900</td> <td>1\"/&gt;  <tr> <td>U-44</td> <td>"</td> <td>"</td> <td>V-675</td> <td>122</td> <td>1/2</td> <td>2900</td> <td>1\"/&gt;  <tr> <td>U-45</td> <td>"</td> <td>"</td> <td>V-675</td> <td>122</td> <td>1/2</td> <td>2900</td> <td>1\"/&gt;  <tr> <td>U-46</td> <td>"</td> <td>"</td> <td>V-675</td> <td>122</td> <td>1/2</td> <td>2900</td> <td>1\"/&gt;  <tr> <td>U-47</td> <td>"</td> <td>"</td> <td>V-675</td> <td>122</td> <td>1/2</td> <td>2900</td> <td>1\"/&gt;  <tr> <td>U-48</td> <td>"</td> <td>"</td> <td>V-675</td> <td>122</td> <td>1/2</td> <td>2900</td> <td>1\"/&gt;  <tr> <td>U-49</td> <td>"</td> <td>"</td> <td>V-675</td> <td>122</td> <td>1/2</td> <td>2900</td> <td>1\"/&gt;  <tr> <td>U-50</td> <td>"</td> <td>"</td> <td>V-675</td> <td>122</td> <td>1/2</td> <td>2900</td> <td>1\"/&gt;  </td></tr></td></tr></td></tr></td></tr></td></tr></td></tr></td></tr></td></tr></td></tr></td></tr></td></tr></td></tr></td></tr></td></tr></td></tr></td></tr></td></tr></td></tr></td></tr></td></tr></td></tr></td></tr></td></tr></td></tr></td></tr></td></tr></td></tr></td></tr></td></tr></td></tr>  | U-21 | " | " | V-675 | 122 | 1/2 | 2900   | 1\"/> <tr> <td>U-22</td> <td>"</td> <td>"</td> <td>V-675</td> <td>122</td> <td>1/2</td> <td>2900</td> <td>1\"/&gt;  <tr> <td>U-23</td> <td>"</td> <td>"</td> <td>V-675</td> <td>122</td> <td>1/2</td> <td>2900</td> <td>1\"/&gt;  <tr> <td>U-24</td> <td>"</td> <td>"</td> <td>V-675</td> <td>122</td> <td>1/2</td> <td>2900</td> <td>1\"/&gt;  <tr> <td>U-25</td> <td>"</td> <td>"</td> <td>V-675</td> <td>122</td> <td>1/2</td> <td>2900</td> <td>1\"/&gt;  <tr> <td>U-26</td> <td>"</td> <td>"</td> <td>V-675</td> <td>122</td> <td>1/2</td> <td>2900</td> <td>1\"/&gt;  <tr> <td>U-27</td> <td>"</td> <td>"</td> <td>V-675</td> <td>122</td> <td>1/2</td> <td>2900</td> <td>1\"/&gt;  <tr> <td>U-28</td> <td>"</td> <td>"</td> <td>V-675</td> <td>122</td> <td>1/2</td> <td>2900</td> <td>1\"/&gt;  <tr> <td>U-29</td> <td>"</td> <td>"</td> <td>V-675</td> <td>122</td> <td>1/2</td> <td>2900</td> <td>1\"/&gt;  <tr> <td>U-30</td> <td>"</td> <td>"</td> <td>V-675</td> <td>122</td> <td>1/2</td> <td>2900</td> <td>1\"/&gt;  <tr> <td>U-31</td> <td>"</td> <td>"</td> <td>V-675</td> <td>122</td> <td>1/2</td> <td>2900</td> <td>1\"/&gt;  <tr> <td>U-32</td> <td>"</td> <td>"</td> <td>V-675</td> <td>122</td> <td>1/2</td> <td>2900</td> <td>1\"/&gt;  <tr> <td>U-33</td> <td>"</td> <td>"</td> <td>V-675</td> <td>122</td> <td>1/2</td> <td>2900</td> <td>1\"/&gt;  <tr> <td>U-34</td> <td>"</td> <td>"</td> <td>V-675</td> <td>122</td> <td>1/2</td> <td>2900</td> <td>1\"/&gt;  <tr> <td>U-35</td> <td>"</td> <td>"</td> <td>V-675</td> <td>122</td> <td>1/2</td> <td>2900</td> <td>1\"/&gt;  <tr> <td>U-36</td> <td>"</td> <td>"</td> <td>V-675</td> <td>122</td> <td>1/2</td> <td>2900</td> <td>1\"/&gt;  <tr> <td>U-37</td> <td>"</td> <td>"</td> <td>V-675</td> <td>122</td> <td>1/2</td> <td>2900</td> <td>1\"/&gt;  <tr> <td>U-38</td> <td>"</td> <td>"</td> <td>V-675</td> <td>122</td> <td>1/2</td> <td>2900</td> <td>1\"/&gt;  <tr> <td>U-39</td> <td>"</td> <td>"</td> <td>V-675</td> <td>122</td> <td>1/2</td> <td>2900</td> <td>1\"/&gt;  <tr> <td>U-40</td> <td>"</td> <td>"</td> <td>V-675</td> <td>122</td> <td>1/2</td> <td>2900</td> <td>1\"/&gt;  <tr> <td>U-41</td> <td>"</td> <td>"</td> <td>V-675</td> <td>122</td> <td>1/2</td> <td>2900</td> <td>1\"/&gt;  <tr> <td>U-42</td> <td>"</td> <td>"</td> <td>V-675</td> <td>122</td> <td>1/2</td> <td>2900</td> <td>1\"/&gt;  <tr> <td>U-43</td> <td>"</td> <td>"</td> <td>V-675</td> <td>122</td> <td>1/2</td> <td>2900</td> <td>1\"/&gt;  <tr> <td>U-44</td> <td>"</td> <td>"</td> <td>V-675</td> <td>122</td> <td>1/2</td> <td>2900</td> <td>1\"/&gt;  <tr> <td>U-45</td> <td>"</td> <td>"</td> <td>V-675</td> <td>122</td> <td>1/2</td> <td>2900</td> <td>1\"/&gt;  <tr> <td>U-46</td> <td>"</td> <td>"</td> <td>V-675</td> <td>122</td> <td>1/2</td> <td>2900</td> <td>1\"/&gt;  <tr> <td>U-47</td> <td>"</td> <td>"</td> <td>V-675</td> <td>122</td> <td>1/2</td> <td>2900</td> <td>1\"/&gt;  <tr> <td>U-48</td> <td>"</td> <td>"</td> <td>V-675</td> <td>122</td> <td>1/2</td> <td>2900</td> <td>1\"/&gt;  <tr> <td>U-49</td> <td>"</td> <td>"</td> <td>V-675</td> <td>122</td> <td>1/2</td> <td>2900</td> <td>1\"/&gt;  <tr> <td>U-50</td> <td>"</td> <td>"</td> <td>V-675</td> <td>122</td> <td>1/2</td> <td>2900</td> <td>1\"/&gt;  </td></tr></td></tr></td></tr></td></tr></td></tr></td></tr></td></tr></td></tr></td></tr></td></tr></td></tr></td></tr></td></tr></td></tr></td></tr></td></tr></td></tr></td></tr></td></tr></td></tr></td></tr></td></tr></td></tr></td></tr></td></tr></td></tr></td></tr></td></tr></td></tr>   | U-22 | " | " | V-675 | 122 | 1/2 | 2900    | 1\"/> <tr> <td>U-23</td> <td>"</td> <td>"</td> <td>V-675</td> <td>122</td> <td>1/2</td> <td>2900</td> <td>1\"/&gt;  <tr> <td>U-24</td> <td>"</td> <td>"</td> <td>V-675</td> <td>122</td> <td>1/2</td> <td>2900</td> <td>1\"/&gt;  <tr> <td>U-25</td> <td>"</td> <td>"</td> <td>V-675</td> <td>122</td> <td>1/2</td> <td>2900</td> <td>1\"/&gt;  <tr> <td>U-26</td> <td>"</td> <td>"</td> <td>V-675</td> <td>122</td> <td>1/2</td> <td>2900</td> <td>1\"/&gt;  <tr> <td>U-27</td> <td>"</td> <td>"</td> <td>V-675</td> <td>122</td> <td>1/2</td> <td>2900</td> <td>1\"/&gt;  <tr> <td>U-28</td> <td>"</td> <td>"</td> <td>V-675</td> <td>122</td> <td>1/2</td> <td>2900</td> <td>1\"/&gt;  <tr> <td>U-29</td> <td>"</td> <td>"</td> <td>V-675</td> <td>122</td> <td>1/2</td> <td>2900</td> <td>1\"/&gt;  <tr>
<td>U-30</td> <td>"</td> <td>"</td> <td>V-675</td> <td>122</td> <td>1/2</td> <td>2900</td> <td>1\"/&gt;  <tr> <td>U-31</td> <td>"</td> <td>"</td> <td>V-675</td> <td>122</td> <td>1/2</td> <td>2900</td> <td>1\"/&gt;  <tr> <td>U-32</td> <td>"</td> <td>"</td> <td>V-675</td> <td>122</td> <td>1/2</td> <td>2900</td> <td>1\"/&gt;  <tr> <td>U-33</td> <td>"</td> <td>"</td> <td>V-675</td> <td>122</td> <td>1/2</td> <td>2900</td> <td>1\"/&gt;  <tr> <td>U-34</td> <td>"</td> <td>"</td> <td>V-675</td> <td>122</td> <td>1/2</td> <td>2900</td> <td>1\"/&gt;  <tr> <td>U-35</td> <td>"</td> <td>"</td> <td>V-675</td> <td>122</td> <td>1/2</td> <td>2900</td> <td>1\"/&gt;  <tr> <td>U-36</td> <td>"</td> <td>"</td> <td>V-675</td> <td>122</td> <td>1/2</td> <td>2900</td> <td>1\"/&gt;  <tr> <td>U-37</td> <td>"</td> <td>"</td> <td>V-675</td> <td>122</td> <td>1/2</td> <td>2900</td> <td>1\"/&gt;  <tr> <td>U-38</td> <td>"</td> <td>"</td> <td>V-675</td> <td>122</td> <td>1/2</td> <td>2900</td> <td>1\"/&gt;  <tr> <td>U-39</td> <td>"</td> <td>"</td> <td>V-675</td> <td>122</td> <td>1/2</td> <td>2900</td> <td>1\"/&gt;  <tr> <td>U-40</td> <td>"</td> <td>"</td> <td>V-675</td> <td>122</td> <td>1/2</td> <td>2900</td> <td>1\"/&gt;  <tr> <td>U-41</td> <td>"</td> <td>"</td> <td>V-675</td> <td>122</td> <td>1/2</td> <td>2900</td> <td>1\"/&gt;  <tr> <td>U-42</td> <td>"</td> <td>"</td> <td>V-675</td> <td>122</td> <td>1/2</td> <td>2900</td> <td>1\"/&gt;  <tr> <td>U-43</td> <td>"</td> <td>"</td> <td>V-675</td> <td>122</td> <td>1/2</td> <td>2900</td> <td>1\"/&gt;  <tr> <td>U-44</td> <td>"</td> <td>"</td> <td>V-675</td> <td>122</td> <td>1/2</td> <td>2900</td> <td>1\"/&gt;  <tr> <td>U-45</td> <td>"</td> <td>"</td> <td>V-675</td> <td>122</td> <td>1/2</td> <td>2900</td> <td>1\"/&gt;  <tr> <td>U-46</td> <td>"</td> <td>"</td> <td>V-675</td> <td>122</td> <td>1/2</td> <td>2900</td> <td>1\"/&gt;  <tr> <td>U-47</td> <td>"</td> <td>"</td> <td>V-675</td> <td>122</td> <td>1/2</td> <td>2900</td> <td>1\"/&gt;  <tr> <td>U-48</td> <td>"</td> <td>"</td> <td>V-675</td> <td>122</td> <td>1/2</td> <td>2900</td> <td>1\"/&gt;  <tr> <td>U-49</td> <td>"</td> <td>"</td> <td>V-675</td> <td>122</td> <td>1/2</td> <td>2900</td> <td>1\"/&gt;  <tr> <td>U-50</td> <td>"</td> <td>"</td> <td>V-675</td> <td>122</td> <td>1/2</td> <td>2900</td> <td>1\"/&gt;  </td></tr></td></tr></td></tr></td></tr></td></tr></td></tr></td></tr></td></tr></td></tr></td></tr></td></tr></td></tr></td></tr></td></tr></td></tr></td></tr></td></tr></td></tr></td></tr></td></tr></td></tr></td></tr></td></tr></td></tr></td></tr></td></tr></td></tr></td></tr>  | U-23 | "           | "      | V-675  | 122  | 1/2 | 2900 | 1\"/> <tr> <td>U-24</td> <td>"</td> <td>"</td> <td>V-675</td> <td>122</td> <td>1/2</td> <td>2900</td> <td>1\"/&gt;  <tr> <td>U-25</td> <td>"</td> <td>"</td> <td>V-675</td> <td>122</td> <td>1/2</td> <td>2900</td> <td>1\"/&gt;  <tr> <td>U-26</td> <td>"</td> <td>"</td> <td>V-675</td> <td>122</td> <td>1/2</td> <td>2900</td> <td>1\"/&gt;  <tr> <td>U-27</td> <td>"</td> <td>"</td> <td>V-675</td> <td>122</td> <td>1/2</td> <td>2900</td> <td>1\"/&gt;  <tr> <td>U-28</td> <td>"</td> <td>"</td> <td>V-675</td> <td>122</td> <td>1/2</td> <td>2900</td> <td>1\"/&gt;  <tr> <td>U-29</td> <td>"</td> <td>"</td> <td>V-675</td> <td>122</td> <td>1/2</td> <td>2900</td> <td>1\"/&gt;  <tr> <td>U-30</td> <td>"</td> <td>"</td> <td>V-675</td> <td>122</td> <td>1/2</td> <td>2900</td> <td>1\"/&gt;  <tr> <td>U-31</td> <td>"</td> <td>"</td> <td>V-675</td> <td>122</td> <td>1/2</td> <td>2900</td> <td>1\"/&gt;  <tr> <td>U-32</td> <td>"</td> <td>"</td> <td>V-675</td> <td>122</td> <td>1/2</td> <td>2900</td> <td>1\"/&gt;  <tr> <td>U-33</td> <td>"</td> <td>"</td> <td>V-675</td> <td>122</td> <td>1/2</td> <td>2900</td> <td>1\"/&gt;  <tr> <td>U-34</td> <td>"</td> <td>"</td> <td>V-675</td> <td>122</td> <td>1/2</td> <td>2900</td> <td>1\"/&gt;  <tr> <td>U-35</td> <td>"</td> <td>"</td> <td>V-675</td> <td>122</td> <td>1/2</td> <td>2900</td> <td>1\"/&gt;  <tr> <td>U-36</td> <td>"</td> <td>"</td> <td>V-675</td> <td>122</td> <td>1/2</td> <td>2900</td> <td>1\"/&gt;  <tr> <td>U-37</td> <td>"</td> <td>"</td> <td>V-675</td> <td>122</td> <td>1/2</td> <td>2900</td> <td>1\"/&gt;  <tr> <td>U-38</td> <td>"</td> <td>"</td> <td>V-675</td> <td>122</td> <td>1/2</td> <td>2900</td> <td>1\"/&gt;  <tr> <td>U-39</td> <td>"</td> <td>"</td> <td>V-675</td> <td>122</td> <td>1/2</td> <td>2900</td> <td>1\"/&gt;  <tr> <td>U-40</td> <td>"</td> <td>"</td> <td>V-675</td> <td>122</td> <td>1/2</td> <td>2900</td> <td>1\"/&gt;  <tr> <td>U-41</td> <td>"</td> <td>"</td> <td>V-675</td> <td>122</td> <td>1/2</td> <td>2900</td> <td>1\"/&gt;  <tr> <td>U-42</td> <td>"</td> <td>"</td> <td>V-675</td> <td>122</td> <td>1/2</td> <td>2900</td> <td>1\"/&gt;  <tr> <td>U-43</td> <td>"</td> <td>"</td> <td>V-675</td> <td>122</td> <td>1/2</td> <td>2900</td> <td>1\"/&gt;  <tr> <td>U-44</td> <td>"</td> <td>"</td> <td>V-675</td> <td>122</td> <td>1/2</td> <td>2900</td> <td>1\"/&gt;  <tr> <td>U-45</td> <td>"</td> <td>"</td> <td>V-675</td> <td>122</td> <td>1/2</td> <td>2900</td> <td>1\"/&gt;  <tr> <td>U-46</td> <td>"</td> <td>"</td> <td>V-675</td> <td>122</td> <td>1/2</td> <td>2900</td> <td>1\"/&gt;  <tr> <td>U-47</td> <td>"</td> <td>"</td> <td>V-675</td> <td>122</td> <td>1/2</td> <td>2900</td> <td>1\"/&gt;  <tr> <td>U-48</td> <td>"</td> <td>"</td> <td>V-675</td> <td>122</td> <td>1/2</td> <td>2900</td> <td>1\"/&gt;  <tr> <td>U-49</td> <td>"</td> <td>"</td> <td>V-675</td> <td>122</td> <td>1/2</td> <td>2900</td> <td>1\"/&gt;  <tr> <td>U-50</td> <td>"</td> <td>"</td> <td>V-675</td> <td>122</td> <td>1/2</td> <td>2900</td> <td>1\"/&gt;  </td></tr></td></tr></td></tr></td></tr></td></tr></td></tr></td></tr></td></tr></td></tr></td></tr></td></tr></td></tr></td></tr></td></tr></td></tr></td></tr></td></tr></td></tr></td></tr></td></tr></td></tr></td></tr></td></tr></td></tr></td></tr></td></tr></td></tr>   
  | U-24 | " | " | V-675  | 122  | 1/2 | 2900 | 1\"/> <tr> <td>U-25</td> <td>"</td> <td>"</td> <td>V-675</td> <td>122</td> <td>1/2</td> <td>2900</td> <td>1\"/&gt;  <tr> <td>U-26</td> <td>"</td> <td>"</td> <td>V-675</td> <td>122</td> <td>1/2</td> <td>2900</td> <td>1\"/&gt;  <tr> <td>U-27</td> <td>"</td> <td>"</td> <td>V-675</td> <td>122</td> <td>1/2</td> <td>2900</td> <td>1\"/&gt;  <tr> <td>U-28</td> <td>"</td> <td>"</td> <td>V-675</td> <td>122</td> <td>1/2</td> <td>2900</td> <td>1\"/&gt;  <tr> <td>U-29</td> <td>"</td> <td>"</td> <td>V-675</td> <td>122</td> <td>1/2</td> <td>2900</td> <td>1\"/&gt;  <tr> <td>U-30</td> <td>"</td> <td>"</td> <td>V-675</td> <td>122</td> <td>1/2</td> <td>2900</td> <td>1\"/&gt;  <tr> <td>U-31</td> <td>"</td> <td>"</td> <td>V-675</td> <td>122</td> <td>1/2</td> <td>2900</td> <td>1\"/&gt;  <tr> <td>U-32</td> <td>"</td> <td>"</td> <td>V-675</td> <td>122</td> <td>1/2</td> <td>2900</td> <td>1\"/&gt;  <tr> <td>U-33</td> <td>"</td> <td>"</td> <td>V-675</td> <td>122</td> <td>1/2</td> <td>2900</td> <td>1\"/&gt;  <tr> <td>U-34</td> <td>"</td> <td>"</td> <td>V-675</td> <td>122</td> <td>1/2</td> <td>2900</td> <td>1\"/&gt;  <tr> <td>U-35</td> <td>"</td> <td>"</td> <td>V-675</td> <td>122</td> <td>1/2</td> <td>2900</td> <td>1\"/&gt;  <tr> <td>U-36</td> <td>"</td> <td>"</td> <td>V-675</td> <td>122</td> <td>1/2</td> <td>2900</td> <td>1\"/&gt;  <tr> <td>U-37</td> <td>"</td> <td>"</td> <td>V-675</td> <td>122</td> <td>1/2</td> <td>2900</td> <td>1\"/&gt;  <tr> <td>U-38</td> <td>"</td> <td>"</td> <td>V-675</td> <td>122</td> <td>1/2</td> <td>2900</td> <td>1\"/&gt;  <tr> <td>U-39</td> <td>"</td> <td>"</td> <td>V-675</td> <td>122</td> <td>1/2</td> <td>2900</td> <td>1\"/&gt;  <tr> <td>U-40</td> <td>"</td> <td>"</td> <td>V-675</td> <td>122</td> <td>1/2</td> <td>2900</td> <td>1\"/&gt;  <tr> <td>U-41</td> <td>"</td> <td>"</td> <td>V-675</td> <td>122</td> <td>1/2</td> <td>2900</td> <td>1\"/&gt;  <tr> <td>U-42</td> <td>"</td> <td>"</td> <td>V-675</td> <td>122</td> <td>1/2</td> <td>2900</td> <td>1\"/&gt;  <tr> <td>U-43</td> <td>"</td> <td>"</td> <td>V-675</td> <td>122</td> <td>1/2</td> <td>2900</td> <td>1\"/&gt;  <tr> <td>U-44</td> <td>"</td> <td>"</td> <td>V-675</td> <td>122</td> <td>1/2</td> <td>2900</td> <td>1\"/&gt;  <tr> <td>U-45</td> <td>"</td> <td>"</td> <td>V-675</td> <td>122</td> <td>1/2</td> <td>2900</td> <td>1\"/&gt;  <tr> <td>U-46</td> <td>"</td> <td>"</td> <td>V-675</td> <td>122</td> <td>1/2</td> <td>2900</td> <td>1\"/&gt;  <tr> <td>U-47</td> <td>"</td> <td>"</td> <td>V-675</td> <td>122</td> <td>1/2</td> <td>2900</td> <td>1\"/&gt;  <tr> <td>U-48</td> <td>"</td> <td>"</td> <td>V-675</td> <td>122</td> <td>1/2</td> <td>2900</td> <td>1\"/&gt;  <tr> <td>U-49</td> <td>"</td> <td>"</td> <td>V-675</td> <td>122</td> <td>1/2</td> <td>2900</td> <td>1\"/&gt;  <tr> <td>U-50</td> <td>"</td> <td>"</td> <td>V-675</td> <td>122</td> <td>1/2</td> <td>2900</td> <td>1\"/&gt;  </td></tr></td></tr></td></tr></td></tr></td></tr></td></tr></td></tr></td></tr></td></tr></td></tr></td></tr></td></tr></td></tr></td></tr></td></tr></td></tr></td></tr></td></tr></td></tr></td></tr></td></tr></td></tr></td></tr></td></tr></td></tr></td></tr>   | U-25 | " | " | V-675  | 122 | 1/2 | 2900 | 1\"/> <tr> <td>U-26</td> <td>"</td> <td>"</td> <td>V-675</td> <td>122</td> <td>1/2</td> <td>2900</td> <td>1\"/&gt;  <tr> <td>U-27</td> <td>"</td> <td>"</td> <td>V-675</td> <td>122</td> <td>1/2</td> <td>2900</td> <td>1\"/&gt;  <tr> <td>U-28</td> <td>"</td> <td>"</td> <td>V-675</td> <td>122</td> <td>1/2</td> <td>2900</td> <td>1\"/&gt;  <tr> <td>U-29</td> <td>"</td> <td>"</td> <td>V-675</td> <td>122</td> <td>1/2</td> <td>2900</td> <td>1\"/&gt;  <tr> <td>U-30</td> <td>"</td> <td>"</td> <td>V-675</td> <td>122</td> <td>1/2</td> <td>2900</td> <td>1\"/&gt;  <tr> <td>U-31</td> <td>"</td> <td>"</td> <td>V-675</td> <td>122</td> <td>1/2</td> <td>2900</td> <td>1\"/&gt;  <tr> <td>U-32</td> <td>"</td> <td>"</td> <td>V-675</td> <td>122</td> <td>1/2</td> <td>2900</td> <td>1\"/&gt;  <tr> <td>U-33</td> <td>"</td> <td>"</td> <td>V-675</td> <td>122</td> <td>1/2</td> <td>2900</td> <td>1\"/&gt;  <tr> <td>U-34</td> <td>"</td> <td>"</td> <td>V-675</td> <td>122</td> <td>1/2</td> <td>2900</td> <td>1\"/&gt;  <tr> <td>U-35</td> <td>"</td> <td>"</td> <td>V-675</td> <td>122</td> <td>1/2</td> <td>2900</td> <td>1\"/&gt;  <tr> <td>U-36</td> <td>"</td> <td>"</td> <td>V-675</td> <td>122</td> <td>1/2</td> <td>2900</td> <td>1\"/&gt;  <tr> <td>U-37</td> <td>"</td> <td>"</td> <td>V-675</td> <td>122</td> <td>1/2</td> <td>2900</td> <td>1\"/&gt;  <tr> <td>U-38</td> <td>"</td> <td>"</td> <td>V-675</td> <td>122</td> <td>1/2</td> <td>2900</td> <td>1\"/&gt;  <tr> <td>U-39</td> <td>"</td> <td>"</td> <td>V-675</td> <td>122</td> <td>1/2</td> <td>2900</td> <td>1\"/&gt;  <tr> <td>U-40</td> <td>"</td> <td>"</td> <td>V-675</td> <td>122</td> <td>1/2</td> <td>2900</td> <td>1\"/&gt;  <tr> <td>U-41</td> <td>"</td> <td>"</td> <td>V-675</td> <td>122</td> <td>1/2</td> <td>2900</td> <td>1\"/&gt;  <tr> <td>U-42</td> <td>"</td> <td>"</td> <td>V-675</td> <td>122</td> <td>1/2</td> <td>2900</td> <td>1\"/&gt;  <tr> <td>U-43</td> <td>"</td> <td>"</td> <td>V-675</td> <td>122</td> <td>1/2</td> <td>2900</td> <td>1\"/&gt;  <tr> <td>U-44</td> <td>"</td> <td>"</td> <td>V-675</td> <td>122</td> <td>1/2</td> <td>2900</td> <td>1\"/&gt;  <tr> <td>U-45</td> <td>"</td> <td>"</td> <td>V-675</td> <td>122</td> <td>1/2</td> <td>2900</td> <td>1\"/&gt;  <tr> <td>U-46</td> <td>"</td> <td>"</td> <td>V-675</td> <td>122</td> <td>1/2</td> <td>2900</td> <td>1\"/&gt;  <tr> <td>U-47</td> <td>"</td> <td>"</td> <td>V-675</td> <td>122</td> <td>1/2</td> <td>2900</td> <td>1\"/&gt;  <tr> <td>U-48</td> <td>"</td> <td>"</td> <td>V-675</td> <td>122</td> <td>1/2</td> <td>2900</td> <td>1\"/&gt;  <tr> <td>U-49</td> <td>"</td> <td>"</td> <td>V-675</td> <td>122</td> <td>1/2</td> <td>2900</td> <td>1\"/&gt;  <tr> <td>U-50</td> <td>"</td> <td>"</td> <td>V-675</td> <td>122</td> <td>1/2</td> <td>2900</td> <td>1\"/&gt;  </td></tr></td></tr></td></tr></td></tr></td></tr></td></tr></td></tr></td></tr></td></tr></td></tr></td></tr></td></tr></td></tr></td></tr></td></tr></td></tr></td></tr></td></tr></td></tr></td></tr></td></tr></td></tr></td></tr></td></tr></td></tr>   
   | U-26 | " | " | V-675 | 122 | 1/2 | 2900 | 1\"/> <tr> <td>U-27</td> <td>"</td> <td>"</td> <td>V-675</td> <td>122</td> <td>1/2</td> <td>2900</td> <td>1\"/&gt;  <tr> <td>U-28</td> <td>"</td> <td>"</td> <td>V-675</td> <td>122</td> <td>1/2</td> <td>2900</td> <td>1\"/&gt;  <tr> <td>U-29</td> <td>"</td> <td>"</td> <td>V-675</td> <td>122</td> <td>1/2</td> <td>2900</td> <td>1\"/&gt;  <tr> <td>U-30</td> <td>"</td> <td>"</td> <td>V-675</td> <td>122</td> <td>1/2</td> <td>2900</td> <td>1\"/&gt;  <tr> <td>U-31</td> <td>"</td> <td>"</td> <td>V-675</td> <td>122</td> <td>1/2</td> <td>2900</td> <td>1\"/&gt;  <tr> <td>U-32</td> <td>"</td> <td>"</td> <td>V-675</td> <td>122</td> <td>1/2</td> <td>2900</td> <td>1\"/&gt;  <tr> <td>U-33</td> <td>"</td> <td>"</td> <td>V-675</td> <td>122</td> <td>1/2</td> <td>2900</td> <td>1\"/&gt;  <tr> <td>U-34</td> <td>"</td> <td>"</td> <td>V-675</td> <td>122</td> <td>1/2</td> <td>2900</td> <td>1\"/&gt;  <tr> <td>U-35</td> <td>"</td> <td>"</td> <td>V-675</td> <td>122</td> <td>1/2</td> <td>2900</td> <td>1\"/&gt;  <tr> <td>U-36</td> <td>"</td> <td>"</td> <td>V-675</td> <td>122</td> <td>1/2</td> <td>2900</td> <td>1\"/&gt;  <tr> <td>U-37</td> <td>"</td> <td>"</td> <td>V-675</td> <td>122</td> <td>1/2</td> <td>2900</td> <td>1\"/&gt;  <tr> <td>U-38</td> <td>"</td> <td>"</td> <td>V-675</td> <td>122</td> <td>1/2</td> <td>2900</td> <td>1\"/&gt;  <tr> <td>U-39</td> <td>"</td> <td>"</td> <td>V-675</td> <td>122</td> <td>1/2</td> <td>2900</td> <td>1\"/&gt;  <tr> <td>U-40</td> <td>"</td> <td>"</td> <td>V-675</td> <td>122</td> <td>1/2</td> <td>2900</td> <td>1\"/&gt;  <tr> <td>U-41</td> <td>"</td> <td>"</td> <td>V-675</td> <td>122</td> <td>1/2</td> <td>2900</td> <td>1\"/&gt;  <tr> <td>U-42</td> <td>"</td> <td>"</td> <td>V-675</td> <td>122</td> <td>1/2</td> <td>2900</td> <td>1\"/&gt;  <tr> <td>U-43</td> <td>"</td> <td>"</td> <td>V-675</td> <td>122</td> <td>1/2</td> <td>2900</td> <td>1\"/&gt;  <tr> <td>U-44</td> <td>"</td> <td>"</td> <td>V-675</td> <td>122</td> <td>1/2</td> <td>2900</td> <td>1\"/&gt;  <tr> <td>U-45</td> <td>"</td> <td>"</td> <td>V-675</td> <td>122</td> <td>1/2</td> <td>2900</td> <td>1\"/&gt;  <tr> <td>U-46</td> <td>"</td> <td>"</td> <td>V-675</td> <td>122</td> <td>1/2</td> <td>2900</td> <td>1\"/&gt;  <tr> <td>U-47</td> <td>"</td> <td>"</td> <td>V-675</td> <td>122</td> <td>1/2</td> <td>2900</td> <td>1\"/&gt;  <tr> <td>U-48</td> <td>"</td> <td>"</td> <td>V-675</td> <td>122</td> <td>1/2</td> <td>2900</td> <td>1\"/&gt;  <tr> <td>U-49</td> <td>"</td> <td>"</td> <td>V-675</td> <td>122</td> <td>1/2</td> <td>2900</td> <td>1\"/&gt;  <tr> <td>U-50</td> <td>"</td> <td>"</td> <td>V-675</td> <td>122</td> <td>1/2</td> <td>2900</td> <td>1\"/&gt;  </td></tr></td></tr></td></tr></td></tr></td></tr></td></tr></td></tr></td></tr></td></tr></td></tr></td></tr></td></tr></td></tr></td></tr></td></tr></td></tr></td></tr></td></tr></td></tr></td></tr></td></tr></td></tr></td></tr></td></tr>  | U-27 | " | " | V-675 | 122 | 1/2 | 2900 | 1\"/> <tr> <td>U-28</td> <td>"</td> <td>"</td> <td>V-675</td> <td>122</td> <td>1/2</td> <td>2900</td> <td>1\"/&gt;  <tr> <td>U-29</td> <td>"</td> <td>"</td> <td>V-675</td> <td>122</td> <td>1/2</td> <td>2900</td> <td>1\"/&gt;  <tr> <td>U-30</td> <td>"</td> <td>"</td> <td>V-675</td> <td>122</td> <td>1/2</td> <td>2900</td> <td>1\"/&gt;  <tr> <td>U-31</td> <td>"</td> <td>"</td> <td>V-675</td> <td>122</td> <td>1/2</td> <td>2900</td> <td>1\"/&gt;  <tr> <td>U-32</td> <td>"</td> <td>"</td> <td>V-675</td> <td>122</td> <td>1/2</td> <td>2900</td> <td>1\"/&gt;  <tr> <td>U-33</td> <td>"</td> <td>"</td> <td>V-675</td> <td>122</td> <td>1/2</td> <td>2900</td> <td>1\"/&gt;  <tr> <td>U-34</td> <td>"</td> <td>"</td> <td>V-675</td> <td>122</td> <td>1/2</td> <td>2900</td> <td>1\"/&gt;  <tr> <td>U-35</td> <td>"</td> <td>"</td> <td>V-675</td> <td>122</td> <td>1/2</td> <td>2900</td> <td>1\"/&gt;  <tr> <td>U-36</td> <td>"</td> <td>"</td> <td>V-675</td> <td>122</td> <td>1/2</td> <td>2900</td> <td>1\"/&gt;  <tr> <td>U-37</td> <td>"</td> <td>"</td> <td>V-675</td> <td>122</td> <td>1/2</td> <td>2900</td> <td>1\"/&gt;  <tr> <td>U-38</td> <td>"</td> <td>"</td> <td>V-675</td> <td>122</td> <td>1/2</td> <td>2900</td> <td>1\"/&gt;  <tr> <td>U-39</td> <td>"</td> <td>"</td> <td>V-675</td> <td>122</td> <td>1/2</td> <td>2900</td> <td>1\"/&gt;  <tr> <td>U-40</td> <td>"</td> <td>"</td> <td>V-675</td> <td>122</td> <td>1/2</td> <td>2900</td> <td>1\"/&gt;  <tr> <td>U-41</td> <td>"</td> <td>"</td> <td>V-675</td> <td>122</td> <td>1/2</td> <td>2900</td> <td>1\"/&gt;  <tr> <td>U-42</td> <td>"</td> <td>"</td> <td>V-675</td> <td>122</td> <td>1/2</td> <td>2900</td> <td>1\"/&gt;  <tr> <td>U-43</td> <td>"</td> <td>"</td> <td>V-675</td> <td>122</td> <td>1/2</td> <td>2900</td> <td>1\"/&gt;  <tr> <td>U-44</td> <td>"</td> <td>"</td> <td>V-675</td> <td>122</td> <td>1/2</td> <td>2900</td> <td>1\"/&gt;  <tr> <td>U-45</td> <td>"</td> <td>"</td> <td>V-675</td> <td>122</td> <td>1/2</td> <td>2900</td> <td>1\"/&gt;  <tr> <td>U-46</td> <td>"</td> <td>"</td> <td>V-675</td> <td>122</td> <td>1/2</td> <td>2900</td> <td>1\"/&gt;  <tr> <td>U-47</td> <td>"</td> <td>"</td> <td>V-675</td> <td>122</td> <td>1/2</td> <td>2900</td> <td>1\"/&gt;  <tr> <td>U-48</td> <td>"</td> <td>"</td> <td>V-675</td> <td>122</td> <td>1/2</td> <td>2900</td> <td>1\"/&gt;  <tr> <td>U-49</td> <td>"</td> <td>"</td> <td>V-675</td> <td>122</td> <td>1/2</td> <td>2900</td> <td>1\"/&gt;  <tr> <td>U-50</td>
<td>"</td> <td>"</td> <td>V-675</td> <td>122</td> <td>1/2</td> <td>2900</td> <td>1\"/&gt;  </td></tr></td></tr></td></tr></td></tr></td></tr></td></tr></td></tr></td></tr></td></tr></td></tr></td></tr></td></tr></td></tr></td></tr></td></tr></td></tr></td></tr></td></tr></td></tr></td></tr></td></tr></td></tr></td></tr>   | U-28 | " | " | V-675 | 122 | 1/2 | 2900 | 1\"/> <tr> <td>U-29</td> <td>"</td> <td>"</td> <td>V-675</td> <td>122</td> <td>1/2</td> <td>2900</td> <td>1\"/&gt;  <tr> <td>U-30</td> <td>"</td> <td>"</td> <td>V-675</td> <td>122</td> <td>1/2</td> <td>2900</td> <td>1\"/&gt;  <tr> <td>U-31</td> <td>"</td> <td>"</td> <td>V-675</td> <td>122</td> <td>1/2</td> <td>2900</td> <td>1\"/&gt;  <tr> <td>U-32</td> <td>"</td> <td>"</td> <td>V-675</td> <td>122</td> <td>1/2</td> <td>2900</td> <td>1\"/&gt;  <tr> <td>U-33</td> <td>"</td> <td>"</td> <td>V-675</td> <td>122</td> <td>1/2</td> <td>2900</td> <td>1\"/&gt;  <tr> <td>U-34</td> <td>"</td> <td>"</td> <td>V-675</td> <td>122</td> <td>1/2</td> <td>2900</td> <td>1\"/&gt;  <tr> <td>U-35</td> <td>"</td> <td>"</td> <td>V-675</td> <td>122</td> <td>1/2</td> <td>2900</td> <td>1\"/&gt;  <tr> <td>U-36</td> <td>"</td> <td>"</td> <td>V-675</td> <td>122</td> <td>1/2</td> <td>2900</td> <td>1\"/&gt;  <tr> <td>U-37</td> <td>"</td> <td>"</td> <td>V-675</td> <td>122</td> <td>1/2</td> <td>2900</td> <td>1\"/&gt;  <tr> <td>U-38</td> <td>"</td> <td>"</td> <td>V-675</td> <td>122</td> <td>1/2</td> <td>2900</td> <td>1\"/&gt;  <tr> <td>U-39</td> <td>"</td> <td>"</td> <td>V-675</td> <td>122</td> <td>1/2</td> <td>2900</td> <td>1\"/&gt;  <tr> <td>U-40</td> <td>"</td> <td>"</td> <td>V-675</td> <td>122</td> <td>1/2</td> <td>2900</td> <td>1\"/&gt;  <tr> <td>U-41</td> <td>"</td> <td>"</td> <td>V-675</td> <td>122</td> <td>1/2</td> <td>2900</td> <td>1\"/&gt;  <tr> <td>U-42</td> <td>"</td> <td>"</td> <td>V-675</td> <td>122</td> <td>1/2</td> <td>2900</td> <td>1\"/&gt;  <tr> <td>U-43</td> <td>"</td> <td>"</td> <td>V-675</td> <td>122</td> <td>1/2</td> <td>2900</td> <td>1\"/&gt;  <tr> <td>U-44</td> <td>"</td> <td>"</td> <td>V-675</td> <td>122</td> <td>1/2</td> <td>2900</td> <td>1\"/&gt;  <tr> <td>U-45</td> <td>"</td> <td>"</td> <td>V-675</td> <td>122</td> <td>1/2</td> <td>2900</td> <td>1\"/&gt;  <tr> <td>U-46</td> <td>"</td> <td>"</td> <td>V-675</td> <td>122</td> <td>1/2</td> <td>2900</td> <td>1\"/&gt;  <tr> <td>U-47</td> <td>"</td> <td>"</td> <td>V-675</td> <td>122</td> <td>1/2</td> <td>2900</td> <td>1\"/&gt;  <tr> <td>U-48</td> <td>"</td> <td>"</td> <td>V-675</td> <td>122</td> <td>1/2</td> <td>2900</td> <td>1\"/&gt;  <tr> <td>U-49</td> <td>"</td> <td>"</td> <td>V-675</td> <td>122</td> <td>1/2</td> <td>2900</td> <td>1\"/&gt;  <tr> <td>U-50</td> <td>"</td> <td>"</td> <td>V-675</td> <td>122</td> <td>1/2</td> <td>2900</td> <td>1\"/&gt;  </td></tr></td></tr></td></tr></td></tr></td></tr></td></tr></td></tr></td></tr></td></tr></td></tr></td></tr></td></tr></td></tr></td></tr></td></tr></td></tr></td></tr></td></tr></td></tr></td></tr></td></tr></td></tr>  | U-29 | " | " | V-675 | 122 | 1/2 | 2900 | 1\"/> <tr> <td>U-30</td> <td>"</td> <td>"</td> <td>V-675</td> <td>122</td> <td>1/2</td> <td>2900</td> <td>1\"/&gt;  <tr> <td>U-31</td> <td>"</td> <td>"</td> <td>V-675</td> <td>122</td> <td>1/2</td> <td>2900</td> <td>1\"/&gt;  <tr> <td>U-32</td> <td>"</td> <td>"</td> <td>V-675</td> <td>122</td> <td>1/2</td> <td>2900</td> <td>1\"/&gt;  <tr> <td>U-33</td> <td>"</td> <td>"</td> <td>V-675</td> <td>122</td> <td>1/2</td> <td>2900</td> <td>1\"/&gt;  <tr> <td>U-34</td> <td>"</td> <td>"</td> <td>V-675</td> <td>122</td> <td>1/2</td> <td>2900</td> <td>1\"/&gt;  <tr> <td>U-35</td> <td>"</td> <td>"</td> <td>V-675</td> <td>122</td> <td>1/2</td> <td>2900</td> <td>1\"/&gt;  <tr> <td>U-36</td> <td>"</td> <td>"</td> <td>V-675</td> <td>122</td> <td>1/2</td> <td>2900</td> <td>1\"/&gt;  <tr> <td>U-37</td> <td>"</td> <td>"</td> <td>V-675</td> <td>122</td> <td>1/2</td> <td>2900</td> <td>1\"/&gt;  <tr> <td>U-38</td> <td>"</td> <td>"</td> <td>V-675</td> <td>122</td> <td>1/2</td> <td>2900</td> <td>1\"/&gt;  <tr> <td>U-39</td> <td>"</td> <td>"</td> <td>V-675</td> <td>122</td> <td>1/2</td> <td>2900</td> <td>1\"/&gt;  <tr> <td>U-40</td> <td>"</td> <td>"</td> <td>V-675</td> <td>122</td> <td>1/2</td> <td>2900</td> <td>1\"/&gt;  <tr> <td>U-41</td> <td>"</td> <td>"</td> <td>V-675</td> <td>122</td> <td>1/2</td> <td>2900</td> <td>1\"/&gt;  <tr> <td>U-42</td> <td>"</td> <td>"</td> <td>V-675</td> <td>122</td> <td>1/2</td> <td>2900</td> <td>1\"/&gt;  <tr> <td>U-43</td> <td>"</td> <td>"</td> <td>V-675</td> <td>122</td> <td>1/2</td> <td>2900</td> <td>1\"/&gt;  <tr> <td>U-44</td> <td>"</td> <td>"</td> <td>V-675</td> <td>122</td> <td>1/2</td> <td>2900</td> <td>1\"/&gt;  <tr>
<td>U-45</td> <td>"</td> <td>"</td> <td>V-675</td> <td>122</td> <td>1/2</td> <td>2900</td> <td>1\"/&gt;  <tr> <td>U-46</td> <td>"</td> <td>"</td> <td>V-675</td> <td>122</td> <td>1/2</td> <td>2900</td> <td>1\"/&gt;  <tr> <td>U-47</td> <td>"</td> <td>"</td> <td>V-675</td> <td>122</td> <td>1/2</td> <td>2900</td> <td>1\"/&gt;  <tr> <td>U-48</td> <td>"</td> <td>"</td> <td>V-675</td> <td>122</td> <td>1/2</td> <td>2900</td> <td>1\"/&gt;  <tr> <td>U-49</td> <td>"</td> <td>"</td> <td>V-675</td> <td>122</td> <td>1/2</td> <td>2900</td> <td>1\"/&gt;  <tr> <td>U-50</td> <td>"</td> <td>"</td> <td>V-675</td> <td>122</td> <td>1/2</td> <td>2900</td> <td>1\"/&gt;  </td></tr></td></tr></td></tr></td></tr></td></tr></td></tr></td></tr></td></tr></td></tr></td></tr></td></tr></td></tr></td></tr></td></tr></td></tr></td></tr></td></tr></td></tr></td></tr></td></tr></td></tr>   | U-30 | " | " | V-675 | 122 | 1/2 | 2900 | 1\"/> <tr> <td>U-31</td> <td>"</td> <td>"</td> <td>V-675</td> <td>122</td> <td>1/2</td> <td>2900</td> <td>1\"/&gt;  <tr> <td>U-32</td> <td>"</td> <td>"</td> <td>V-675</td> <td>122</td> <td>1/2</td> <td>2900</td> <td>1\"/&gt;  <tr> <td>U-33</td> <td>"</td> <td>"</td> <td>V-675</td> <td>122</td> <td>1/2</td> <td>2900</td> <td>1\"/&gt;  <tr> <td>U-34</td> <td>"</td> <td>"</td> <td>V-675</td> <td>122</td> <td>1/2</td> <td>2900</td> <td>1\"/&gt;  <tr> <td>U-35</td> <td>"</td> <td>"</td> <td>V-675</td> <td>122</td> <td>1/2</td> <td>2900</td> <td>1\"/&gt;  <tr> <td>U-36</td> <td>"</td> <td>"</td> <td>V-675</td> <td>122</td> <td>1/2</td> <td>2900</td> <td>1\"/&gt;  <tr> <td>U-37</td> <td>"</td> <td>"</td> <td>V-675</td> <td>122</td> <td>1/2</td> <td>2900</td> <td>1\"/&gt;  <tr> <td>U-38</td> <td>"</td> <td>"</td> <td>V-675</td> <td>122</td> <td>1/2</td> <td>2900</td> <td>1\"/&gt;  <tr> <td>U-39</td> <td>"</td> <td>"</td> <td>V-675</td> <td>122</td> <td>1/2</td> <td>2900</td> <td>1\"/&gt;  <tr> <td>U-40</td> <td>"</td> <td>"</td> <td>V-675</td> <td>122</td> <td>1/2</td> <td>2900</td> <td>1\"/&gt;  <tr> <td>U-41</td> <td>"</td> <td>"</td> <td>V-675</td> <td>122</td> <td>1/2</td> <td>2900</td> <td>1\"/&gt;  <tr> <td>U-42</td> <td>"</td> <td>"</td> <td>V-675</td> <td>122</td> <td>1/2</td> <td>2900</td> <td>1\"/&gt;  <tr> <td>U-43</td> <td>"</td> <td>"</td> <td>V-675</td> <td>122</td> <td>1/2</td> <td>2900</td> <td>1\"/&gt;  <tr> <td>U-44</td> <td>"</td> <td>"</td> <td>V-675</td> <td>122</td> <td>1/2</td> <td>2900</td> <td>1\"/&gt;  <tr> <td>U-45</td> <td>"</td> <td>"</td> <td>V-675</td> <td>122</td> <td>1/2</td> <td>2900</td> <td>1\"/&gt;  <tr> <td>U-46</td> <td>"</td> <td>"</td> <td>V-675</td> <td>122</td> <td>1/2</td> <td>2900</td> <td>1\"/&gt;  <tr> <td>U-47</td> <td>"</td> <td>"</td> <td>V-675</td> <td>122</td> <td>1/2</td> <td>2900</td> <td>1\"/&gt;  <tr> <td>U-48</td> <td>"</td> <td>"</td> <td>V-675</td> <td>122</td> <td>1/2</td> <td>2900</td> <td>1\"/&gt;  <tr> <td>U-49</td> <td>"</td> <td>"</td> <td>V-675</td> <td>122</td> <td>1/2</td> <td>2900</td> <td>1\"/&gt;  <tr> <td>U-50</td> <td>"</td> <td>"</td> <td>V-675</td> <td>122</td> <td>1/2</td> <td>2900</td> <td>1\"/&gt;  </td></tr></td></tr></td></tr></td></tr></td></tr></td></tr></td></tr></td></tr></td></tr></td></tr></td></tr></td></tr></td></tr></td></tr></td></tr></td></tr></td></tr></td></tr></td></tr></td></tr>  | U-31 | " | " | V-675 | 122 | 1/2 | 2900 | 1\"/> <tr> <td>U-32</td> <td>"</td> <td>"</td> <td>V-675</td> <td>122</td> <td>1/2</td> <td>2900</td> <td>1\"/&gt;  <tr> <td>U-33</td> <td>"</td> <td>"</td> <td>V-675</td> <td>122</td> <td>1/2</td> <td>2900</td> <td>1\"/&gt;  <tr> <td>U-34</td> <td>"</td> <td>"</td> <td>V-675</td> <td>122</td> <td>1/2</td> <td>2900</td> <td>1\"/&gt;  <tr> <td>U-35</td> <td>"</td> <td>"</td> <td>V-675</td> <td>122</td> <td>1/2</td> <td>2900</td> <td>1\"/&gt;  <tr> <td>U-36</td> <td>"</td> <td>"</td> <td>V-675</td> <td>122</td> <td>1/2</td> <td>2900</td> <td>1\"/&gt;  <tr> <td>U-37</td> <td>"</td> <td>"</td> <td>V-675</td> <td>122</td> <td>1/2</td> <td>2900</td> <td>1\"/&gt;  <tr> <td>U-38</td> <td>"</td> <td>"</td> <td>V-675</td> <td>122</td> <td>1/2</td> <td>2900</td> <td>1\"/&gt;  <tr> <td>U-39</td> <td>"</td> <td>"</td> <td>V-675</td> <td>122</td> <td>1/2</td> <td>2900</td> <td>1\"/&gt;  <tr> <td>U-40</td> <td>"</td> <td>"</td> <td>V-675</td> <td>122</td> <td>1/2</td> <td>2900</td> <td>1\"/&gt;  <tr> <td>U-41</td> <td>"</td> <td>"</td> <td>V-675</td> <td>122</td> <td>1/2</td> <td>2900</td> <td>1\"/&gt;  <tr> <td>U-42</td> <td>"</td> <td>"</td> <td>V-675</td> <td>122</td> <td>1/2</td> <td>2900</td> <td>1\"/&gt;  <tr> <td>U-43</td> <td>"</td> <td>"</td> <td>V-675</td> <td>122</td> <td>1/2</td> <td>2900</td> <td>1\"/&gt;  <tr> <td>U-44</td> <td>"</td>
<td>"</td> <td>V-675</td> <td>122</td> <td>1/2</td> <td>2900</td> <td>1\"/&gt;  <tr> <td>U-45</td> <td>"</td> <td>"</td> <td>V-675</td> <td>122</td> <td>1/2</td> <td>2900</td> <td>1\"/&gt;  <tr> <td>U-46</td> <td>"</td> <td>"</td> <td>V-675</td> <td>122</td> <td>1/2</td> <td>2900</td> <td>1\"/&gt;  <tr> <td>U-47</td> <td>"</td> <td>"</td> <td>V-675</td> <td>122</td> <td>1/2</td> <td>2900</td> <td>1\"/&gt;  <tr> <td>U-48</td> <td>"</td> <td>"</td> <td>V-675</td> <td>122</td> <td>1/2</td> <td>2900</td> <td>1\"/&gt;  <tr> <td>U-49</td> <td>"</td> <td>"</td> <td>V-675</td> <td>122</td> <td>1/2</td> <td>2900</td> <td>1\"/&gt;  <tr> <td>U-50</td> <td>"</td> <td>"</td> <td>V-675</td> <td>122</td> <td>1/2</td> <td>2900</td> <td>1\"/&gt;  </td></tr></td></tr></td></tr></td></tr></td></tr></td></tr></td></tr></td></tr></td></tr></td></tr></td></tr></td></tr></td></tr></td></tr></td></tr></td></tr></td></tr></td></tr></td></tr>   | U-32 | " | " | V-675 | 122 | 1/2 | 2900 | 1\"/> <tr> <td>U-33</td> <td>"</td> <td>"</td> <td>V-675</td> <td>122</td> <td>1/2</td> <td>2900</td> <td>1\"/&gt;  <tr> <td>U-34</td> <td>"</td> <td>"</td> <td>V-675</td> <td>122</td> <td>1/2</td> <td>2900</td> <td>1\"/&gt;  <tr> <td>U-35</td> <td>"</td> <td>"</td> <td>V-675</td> <td>122</td> <td>1/2</td> <td>2900</td> <td>1\"/&gt;  <tr> <td>U-36</td> <td>"</td> <td>"</td> <td>V-675</td> <td>122</td> <td>1/2</td> <td>2900</td> <td>1\"/&gt;  <tr> <td>U-37</td> <td>"</td> <td>"</td> <td>V-675</td> <td>122</td> <td>1/2</td> <td>2900</td> <td>1\"/&gt;  <tr> <td>U-38</td> <td>"</td> <td>"</td> <td>V-675</td> <td>122</td> <td>1/2</td> <td>2900</td> <td>1\"/&gt;  <tr> <td>U-39</td> <td>"</td> <td>"</td> <td>V-675</td> <td>122</td> <td>1/2</td> <td>2900</td> <td>1\"/&gt;  <tr> <td>U-40</td> <td>"</td> <td>"</td> <td>V-675</td> <td>122</td> <td>1/2</td> <td>2900</td> <td>1\"/&gt;  <tr> <td>U-41</td> <td>"</td> <td>"</td> <td>V-675</td> <td>122</td> <td>1/2</td> <td>2900</td> <td>1\"/&gt;  <tr> <td>U-42</td> <td>"</td> <td>"</td> <td>V-675</td> <td>122</td> <td>1/2</td> <td>2900</td> <td>1\"/&gt;  <tr> <td>U-43</td> <td>"</td> <td>"</td> <td>V-675</td> <td>122</td> <td>1/2</td> <td>2900</td> <td>1\"/&gt;  <tr> <td>U-44</td> <td>"</td> <td>"</td> <td>V-675</td> <td>122</td> <td>1/2</td> <td>2900</td> <td>1\"/&gt;  <tr> <td>U-45</td> <td>"</td> <td>"</td> <td>V-675</td> <td>122</td> <td>1/2</td> <td>2900</td> <td>1\"/&gt;  <tr> <td>U-46</td> <td>"</td> <td>"</td> <td>V-675</td> <td>122</td> <td>1/2</td> <td>2900</td> <td>1\"/&gt;  <tr> <td>U-47</td> <td>"</td> <td>"</td> <td>V-675</td> <td>122</td> <td>1/2</td> <td>2900</td> <td>1\"/&gt;  <tr> <td>U-48</td> <td>"</td> <td>"</td> <td>V-675</td> <td>122</td> <td>1/2</td> <td>2900</td> <td>1\"/&gt;  <tr> <td>U-49</td> <td>"</td> <td>"</td> <td>V-675</td> <td>122</td> <td>1/2</td> <td>2900</td> <td>1\"/&gt;  <tr> <td>U-50</td> <td>"</td> <td>"</td> <td>V-675</td> <td>122</td> <td>1/2</td> <td>2900</td> <td>1\"/&gt;  </td></tr></td></tr></td></tr></td></tr></td></tr></td></tr></td></tr></td></tr></td></tr></td></tr></td></tr></td></tr></td></tr></td></tr></td></tr></td></tr></td></tr></td></tr>   | U-33 | " | " | V-675 | 122 | 1/2 | 2900 | 1\"/> <tr> <td>U-34</td> <td>"</td> <td>"</td> <td>V-675</td> <td>122</td> <td>1/2</td> <td>2900</td> <td>1\"/&gt;  <tr> <td>U-35</td> <td>"</td> <td>"</td> <td>V-675</td> <td>122</td> <td>1/2</td> <td>2900</td> <td>1\"/&gt;  <tr> <td>U-36</td> <td>"</td> <td>"</td> <td>V-675</td> <td>122</td> <td>1/2</td> <td>2900</td> <td>1\"/&gt;  <tr> <td>U-37</td> <td>"</td> <td>"</td> <td>V-675</td> <td>122</td> <td>1/2</td> <td>2900</td> <td>1\"/&gt;  <tr> <td>U-38</td> <td>"</td> <td>"</td> <td>V-675</td> <td>122</td> <td>1/2</td> <td>2900</td> <td>1\"/&gt;  <tr> <td>U-39</td> <td>"</td> <td>"</td> <td>V-675</td> <td>122</td> <td>1/2</td> <td>2900</td> <td>1\"/&gt;  <tr> <td>U-40</td> <td>"</td> <td>"</td> <td>V-675</td> <td>122</td> <td>1/2</td> <td>2900</td> <td>1\"/&gt;  <tr> <td>U-41</td> <td>"</td> <td>"</td> <td>V-675</td> <td>122</td> <td>1/2</td> <td>2900</td> <td>1\"/&gt;  <tr> <td>U-42</td> <td>"</td> <td>"</td> <td>V-675</td> <td>122</td> <td>1/2</td> <td>2900</td> <td>1\"/&gt;  <tr> <td>U-43</td> <td>"</td> <td>"</td> <td>V-675</td> <td>122</td> <td>1/2</td> <td>2900</td> <td>1\"/&gt;  <tr> <td>U-44</td> <td>"</td> <td>"</td> <td>V-675</td> <td>122</td> <td>1/2</td> <td>2900</td> <td>1\"/&gt;  <tr> <td>U-45</td> <td>"</td> <td>"</td> <td>V-675</td> <td>122</td> <td>1/2</td> <td>2900</td> <td>1\"/&gt;  <tr> <td>U-46</td> <td>"</td> <td>"</td> <td>V-675</td> <td>122</td> <td>1/2</td> <td>2900</td> <td>1\"/&gt;  <tr> <td>U-47</td> <td>"</td> <td>"</td> <td>V-675</td> <td>122</td> <td>1/2</td> <td>2900</td>
<td>1\"/&gt;  <tr> <td>U-48</td> <td>"</td> <td>"</td> <td>V-675</td> <td>122</td> <td>1/2</td> <td>2900</td> <td>1\"/&gt;  <tr> <td>U-49</td> <td>"</td> <td>"</td> <td>V-675</td> <td>122</td> <td>1/2</td> <td>2900</td> <td>1\"/&gt;  <tr> <td>U-50</td> <td>"</td> <td>"</td> <td>V-675</td> <td>122</td> <td>1/2</td> <td>2900</td> <td>1\"/&gt;  </td></tr></td></tr></td></tr></td></tr></td></tr></td></tr></td></tr></td></tr></td></tr></td></tr></td></tr></td></tr></td></tr></td></tr></td></tr></td></tr></td></tr>   | U-34 | " | " | V-675 | 122 | 1/2 | 2900 | 1\"/> <tr> <td>U-35</td> <td>"</td> <td>"</td> <td>V-675</td> <td>122</td> <td>1/2</td> <td>2900</td> <td>1\"/&gt;  <tr> <td>U-36</td> <td>"</td> <td>"</td> <td>V-675</td> <td>122</td> <td>1/2</td> <td>2900</td> <td>1\"/&gt;  <tr> <td>U-37</td> <td>"</td> <td>"</td> <td>V-675</td> <td>122</td> <td>1/2</td> <td>2900</td> <td>1\"/&gt;  <tr> <td>U-38</td> <td>"</td> <td>"</td> <td>V-675</td> <td>122</td> <td>1/2</td> <td>2900</td> <td>1\"/&gt;  <tr> <td>U-39</td> <td>"</td> <td>"</td> <td>V-675</td> <td>122</td> <td>1/2</td> <td>2900</td> <td>1\"/&gt;  <tr> <td>U-40</td> <td>"</td> <td>"</td> <td>V-675</td> <td>122</td> <td>1/2</td> <td>2900</td> <td>1\"/&gt;  <tr> <td>U-41</td> <td>"</td> <td>"</td> <td>V-675</td> <td>122</td> <td>1/2</td> <td>2900</td> <td>1\"/&gt;  <tr> <td>U-42</td> <td>"</td> <td>"</td> <td>V-675</td> <td>122</td> <td>1/2</td> <td>2900</td> <td>1\"/&gt;  <tr> <td>U-43</td> <td>"</td> <td>"</td> <td>V-675</td> <td>122</td> <td>1/2</td> <td>2900</td> <td>1\"/&gt;  <tr> <td>U-44</td> <td>"</td> <td>"</td> <td>V-675</td> <td>122</td> <td>1/2</td> <td>2900</td> <td>1\"/&gt;  <tr> <td>U-45</td> <td>"</td> <td>"</td> <td>V-675</td> <td>122</td> <td>1/2</td> <td>2900</td> <td>1\"/&gt;  <tr> <td>U-46</td> <td>"</td> <td>"</td> <td>V-675</td> <td>122</td> <td>1/2</td> <td>2900</td> <td>1\"/&gt;  <tr> <td>U-47</td> <td>"</td> <td>"</td> <td>V-675</td> <td>122</td> <td>1/2</td> <td>2900</td> <td>1\"/&gt;  <tr> <td>U-48</td> <td>"</td> <td>"</td> <td>V-675</td> <td>122</td> <td>1/2</td> <td>2900</td> <td>1\"/&gt;  <tr> <td>U-49</td> <td>"</td> <td>"</td> <td>V-675</td> <td>122</td> <td>1/2</td> <td>2900</td> <td>1\"/&gt;  <tr> <td>U-50</td> <td>"</td> <td>"</td> <td>V-675</td> <td>122</td> <td>1/2</td> <td>2900</td> <td>1\"/&gt;  </td></tr></td></tr></td></tr></td></tr></td></tr></td></tr></td></tr></td></tr></td></tr></td></tr></td></tr></td></tr></td></tr></td></tr></td></tr></td></tr>   | U-35 | " | " | V-675 | 122 | 1/2 | 2900 | 1\"/> <tr> <td>U-36</td> <td>"</td> <td>"</td> <td>V-675</td> <td>122</td> <td>1/2</td> <td>2900</td> <td>1\"/&gt;  <tr> <td>U-37</td> <td>"</td> <td>"</td> <td>V-675</td> <td>122</td> <td>1/2</td> <td>2900</td> <td>1\"/&gt;  <tr> <td>U-38</td> <td>"</td> <td>"</td> <td>V-675</td> <td>122</td> <td>1/2</td> <td>2900</td> <td>1\"/&gt;  <tr> <td>U-39</td> <td>"</td> <td>"</td> <td>V-675</td> <td>122</td> <td>1/2</td> <td>2900</td> <td>1\"/&gt;  <tr> <td>U-40</td> <td>"</td> <td>"</td> <td>V-675</td> <td>122</td> <td>1/2</td> <td>2900</td> <td>1\"/&gt;  <tr> <td>U-41</td> <td>"</td> <td>"</td> <td>V-675</td> <td>122</td> <td>1/2</td> <td>2900</td> <td>1\"/&gt;  <tr> <td>U-42</td> <td>"</td> <td>"</td> <td>V-675</td> <td>122</td> <td>1/2</td> <td>2900</td> <td>1\"/&gt;  <tr> <td>U-43</td> <td>"</td> <td>"</td> <td>V-675</td> <td>122</td> <td>1/2</td> <td>2900</td> <td>1\"/&gt;  <tr> <td>U-44</td> <td>"</td> <td>"</td> <td>V-675</td> <td>122</td> <td>1/2</td> <td>2900</td> <td>1\"/&gt;  <tr> <td>U-45</td> <td>"</td> <td>"</td> <td>V-675</td> <td>122</td> <td>1/2</td> <td>2900</td> <td>1\"/&gt;  <tr> <td>U-46</td> <td>"</td> <td>"</td> <td>V-675</td> <td>122</td> <td>1/2</td> <td>2900</td> <td>1\"/&gt;  <tr> <td>U-47</td> <td>"</td> <td>"</td> <td>V-675</td> <td>122</td> <td>1/2</td> <td>2900</td> <td>1\"/&gt;  <tr> <td>U-48</td> <td>"</td> <td>"</td> <td>V-675</td> <td>122</td> <td>1/2</td> <td>2900</td> <td>1\"/&gt;  <tr> <td>U-49</td> <td>"</td> <td>"</td> <td>V-675</td> <td>122</td> <td>1/2</td> <td>2900</td> <td>1\"/&gt;  <tr> <td>U-50</td> <td>"</td> <td>"</td> <td>V-675</td> <td>122</td> <td>1/2</td> <td>2900</td> <td>1\"/&gt;  </td></tr></td></tr></td></tr></td></tr></td></tr></td></tr></td></tr></td></tr></td></tr></td></tr></td></tr></td></tr></td></tr></td></tr></td></tr>   
   | U-36 | " | " | V-675 | 122 | 1/2 | 2900 | 1\"/> <tr> <td>U-37</td> <td>"</td> <td>"</td> <td>V-675</td> <td>122</td> <td>1/2</td> <td>2900</td> <td>1\"/&gt;  <tr> <td>U-38</td> <td>"</td> <td>"</td> <td>V-675</td> <td>122</td> <td>1/2</td> <td>2900</td> <td>1\"/&gt;  <tr> <td>U-39</td> <td>"</td> <td>"</td> <td>V-675</td> <td>122</td> <td>1/2</td> <td>2900</td> <td>1\"/&gt;  <tr> <td>U-40</td> <td>"</td> <td>"</td> <td>V-675</td> <td>122</td> <td>1/2</td> <td>2900</td> <td>1\"/&gt;  <tr> <td>U-41</td> <td>"</td> <td>"</td> <td>V-675</td> <td>122</td> <td>1/2</td> <td>2900</td> <td>1\"/&gt;  <tr> <td>U-42</td> <td>"</td> <td>"</td> <td>V-675</td> <td>122</td> <td>1/2</td> <td>2900</td> <td>1\"/&gt;  <tr> <td>U-43</td> <td>"</td> <td>"</td> <td>V-675</td> <td>122</td> <td>1/2</td> <td>2900</td> <td>1\"/&gt;  <tr> <td>U-44</td> <td>"</td> <td>"</td> <td>V-675</td> <td>122</td> <td>1/2</td> <td>2900</td> <td>1\"/&gt;  <tr> <td>U-45</td> <td>"</td> <td>"</td> <td>V-675</td> <td>122</td> <td>1/2</td> <td>2900</td> <td>1\"/&gt;  <tr> <td>U-46</td> <td>"</td> <td>"</td> <td>V-675</td> <td>122</td> <td>1/2</td> <td>2900</td> <td>1\"/&gt;  <tr> <td>U-47</td> <td>"</td> <td>"</td> <td>V-675</td> <td>122</td> <td>1/2</td> <td>2900</td> <td>1\"/&gt;  <tr> <td>U-48</td> <td>"</td> <td>"</td> <td>V-675</td> <td>122</td> <td>1/2</td> <td>2900</td> <td>1\"/&gt;  <tr> <td>U-49</td> <td>"</td> <td>"</td> <td>V-675</td> <td>122</td> <td>1/2</td> <td>2900</td> <td>1\"/&gt;  <tr> <td>U-50</td> <td>"</td> <td>"</td> <td>V-675</td> <td>122</td> <td>1/2</td> <td>2900</td> <td>1\"/&gt;  </td></tr></td></tr></td></tr></td></tr></td></tr></td></tr></td></tr></td></tr></td></tr></td></tr></td></tr></td></tr></td></tr></td></tr>   | U-37 | " | " | V-675 | 122 | 1/2 | 2900 | 1\"/> <tr> <td>U-38</td> <td>"</td> <td>"</td> <td>V-675</td> <td>122</td> <td>1/2</td> <td>2900</td> <td>1\"/&gt;  <tr> <td>U-39</td> <td>"</td> <td>"</td> <td>V-675</td> <td>122</td> <td>1/2</td> <td>2900</td> <td>1\"/&gt;  <tr> <td>U-40</td> <td>"</td> <td>"</td> <td>V-675</td> <td>122</td> <td>1/2</td> <td>2900</td> <td>1\"/&gt;  <tr> <td>U-41</td> <td>"</td> <td>"</td> <td>V-675</td> <td>122</td> <td>1/2</td> <td>2900</td> <td>1\"/&gt;  <tr> <td>U-42</td> <td>"</td> <td>"</td> <td>V-675</td> <td>122</td> <td>1/2</td> <td>2900</td> <td>1\"/&gt;  <tr> <td>U-43</td> <td>"</td> <td>"</td> <td>V-675</td> <td>122</td> <td>1/2</td> <td>2900</td> <td>1\"/&gt;  <tr> <td>U-44</td> <td>"</td> <td>"</td> <td>V-675</td> <td>122</td> <td>1/2</td> <td>2900</td> <td>1\"/&gt;  <tr> <td>U-45</td> <td>"</td> <td>"</td> <td>V-675</td> <td>122</td> <td>1/2</td> <td>2900</td> <td>1\"/&gt;  <tr> <td>U-46</td> <td>"</td> <td>"</td> <td>V-675</td> <td>122</td> <td>1/2</td> <td>2900</td> <td>1\"/&gt;  <tr> <td>U-47</td> <td>"</td> <td>"</td> <td>V-675</td> <td>122</td> <td>1/2</td> <td>2900</td> <td>1\"/&gt;  <tr> <td>U-48</td> <td>"</td> <td>"</td> <td>V-675</td> <td>122</td> <td>1/2</td> <td>2900</td> <td>1\"/&gt;  <tr> <td>U-49</td> <td>"</td> <td>"</td> <td>V-675</td> <td>122</td> <td>1/2</td> <td>2900</td> <td>1\"/&gt;  <tr> <td>U-50</td> <td>"</td> <td>"</td> <td>V-675</td> <td>122</td> <td>1/2</td> <td>2900</td> <td>1\"/&gt;  </td></tr></td></tr></td></tr></td></tr></td></tr></td></tr></td></tr></td></tr></td></tr></td></tr></td></tr></td></tr></td></tr>   
   | U-38 | " | " | V-675 | 122 | 1/2 | 2900 | 1\"/> <tr> <td>U-39</td> <td>"</td> <td>"</td> <td>V-675</td> <td>122</td> <td>1/2</td> <td>2900</td> <td>1\"/&gt;  <tr> <td>U-40</td> <td>"</td> <td>"</td> <td>V-675</td> <td>122</td> <td>1/2</td> <td>2900</td> <td>1\"/&gt;  <tr> <td>U-41</td> <td>"</td> <td>"</td> <td>V-675</td> <td>122</td> <td>1/2</td> <td>2900</td> <td>1\"/&gt;  <tr> <td>U-42</td> <td>"</td> <td>"</td> <td>V-675</td> <td>122</td> <td>1/2</td> <td>2900</td> <td>1\"/&gt;  <tr> <td>U-43</td> <td>"</td> <td>"</td> <td>V-675</td> <td>122</td> <td>1/2</td> <td>2900</td> <td>1\"/&gt;  <tr> <td>U-44</td> <td>"</td> <td>"</td> <td>V-675</td> <td>122</td> <td>1/2</td> <td>2900</td> <td>1\"/&gt;  <tr> <td>U-45</td> <td>"</td> <td>"</td> <td>V-675</td> <td>122</td> <td>1/2</td> <td>2900</td> <td>1\"/&gt;  <tr> <td>U-46</td> <td>"</td> <td>"</td> <td>V-675</td> <td>122</td> <td>1/2</td> <td>2900</td> <td>1\"/&gt;  <tr> <td>U-47</td> <td>"</td> <td>"</td> <td>V-675</td> <td>122</td> <td>1/2</td> <td>2900</td> <td>1\"/&gt;  <tr> <td>U-48</td> <td>"</td> <td>"</td> <td>V-675</td> <td>122</td> <td>1/2</td> <td>2900</td> <td>1\"/&gt;  <tr> <td>U-49</td> <td>"</td> <td>"</td> <td>V-675</td> <td>122</td> <td>1/2</td> <td>2900</td> <td>1\"/&gt;  <tr> <td>U-50</td> <td>"</td> <td>"</td> <td>V-675</td> <td>122</td> <td>1/2</td> <td>2900</td> <td>1\"/&gt;  </td></tr></td></tr></td></tr></td></tr></td></tr></td></tr></td></tr></td></tr></td></tr></td></tr></td></tr></td></tr>   | U-39 | " | " | V-675 | 122 | 1/2 | 2900 | 1\"/> <tr> <td>U-40</td> <td>"</td> <td>"</td> <td>V-675</td> <td>122</td> <td>1/2</td> <td>2900</td> <td>1\"/&gt;  <tr> <td>U-41</td> <td>"</td> <td>"</td> <td>V-675</td> <td>122</td> <td>1/2</td> <td>2900</td> <td>1\"/&gt;  <tr> <td>U-42</td> <td>"</td> <td>"</td> <td>V-675</td> <td>122</td> <td>1/2</td> <td>2900</td> <td>1\"/&gt;  <tr> <td>U-43</td> <td>"</td> <td>"</td> <td>V-675</td> <td>122</td> <td>1/2</td> <td>2900</td> <td>1\"/&gt;  <tr> <td>U-44</td> <td>"</td> <td>"</td> <td>V-675</td> <td>122</td> <td>1/2</td> <td>2900</td> <td>1\"/&gt;  <tr> <td>U-45</td> <td>"</td> <td>"</td> <td>V-675</td> <td>122</td> <td>1/2</td> <td>2900</td> <td>1\"/&gt;  <tr> <td>U-46</td> <td>"</td> <td>"</td> <td>V-675</td> <td>122</td> <td>1/2</td> <td>2900</td> <td>1\"/&gt;  <tr> <td>U-47</td> <td>"</td> <td>"</td> <td>V-675</td> <td>122</td> <td>1/2</td> <td>2900</td> <td>1\"/&gt;  <tr> <td>U-48</td> <td>"</td> <td>"</td> <td>V-675</td> <td>122</td> <td>1/2</td> <td>2900</td> <td>1\"/&gt;  <tr> <td>U-49</td> <td>"</td> <td>"</td> <td>V-675</td> <td>122</td> <td>1/2</td> <td>2900</td> <td>1\"/&gt;  <tr> <td>U-50</td> <td>"</td> <td>"</td> <td>V-675</td> <td>122</td> <td>1/2</td> <td>2900</td> <td>1\"/&gt;  </td></tr></td></tr></td></tr></td></tr></td></tr></td></tr></td></tr></td></tr></td></tr></td></tr></td></tr>   | U-40 | " | " | V-675 | 122 | 1/2 | 2900 | 1\"/> <tr> <td>U-41</td> <td>"</td> <td>"</td> <td>V-675</td> <td>122</td> <td>1/2</td> <td>2900</td> <td>1\"/&gt;  <tr> <td>U-42</td> <td>"</td> <td>"</td> <td>V-675</td> <td>122</td> <td>1/2</td> <td>2900</td> <td>1\"/&gt;  <tr> <td>U-43</td> <td>"</td> <td>"</td> <td>V-675</td> <td>122</td> <td>1/2</td> <td>2900</td> <td>1\"/&gt;  <tr> <td>U-44</td> <td>"</td> <td>"</td> <td>V-675</td> <td>122</td> <td>1/2</td> <td>2900</td> <td>1\"/&gt;  <tr> <td>U-45</td> <td>"</td> <td>"</td> <td>V-675</td> <td>122</td> <td>1/2</td> <td>2900</td> <td>1\"/&gt;  <tr> <td>U-46</td> <td>"</td> <td>"</td> <td>V-675</td> <td>122</td> <td>1/2</td> <td>2900</td> <td>1\"/&gt;  <tr> <td>U-47</td> <td>"</td> <td>"</td> <td>V-675</td> <td>122</td> <td>1/2</td> <td>2900</td> <td>1\"/&gt;  <tr> <td>U-48</td> <td>"</td> <td>"</td> <td>V-675</td> <td>122</td> <td>1/2</td> <td>2900</td> <td>1\"/&gt;  <tr> <td>U-49</td> <td>"</td> <td>"</td>
<td>V-675</td> <td>122</td> <td>1/2</td> <td>2900</td> <td>1\"/&gt;  <tr> <td>U-50</td> <td>"</td> <td>"</td> <td>V-675</td> <td>122</td> <td>1/2</td> <td>2900</td> <td>1\"/&gt;  </td></tr></td></tr></td></tr></td></tr></td></tr></td></tr></td></tr></td></tr></td></tr></td></tr>   | U-41 | " | " | V-675 | 122 | 1/2 | 2900 | 1\"/> <tr> <td>U-42</td> <td>"</td> <td>"</td> <td>V-675</td> <td>122</td> <td>1/2</td> <td>2900</td> <td>1\"/&gt;  <tr> <td>U-43</td> <td>"</td> <td>"</td> <td>V-675</td> <td>122</td> <td>1/2</td> <td>2900</td> <td>1\"/&gt;  <tr> <td>U-44</td> <td>"</td> <td>"</td> <td>V-675</td> <td>122</td> <td>1/2</td> <td>2900</td> <td>1\"/&gt;  <tr> <td>U-45</td> <td>"</td> <td>"</td> <td>V-675</td> <td>122</td> <td>1/2</td> <td>2900</td> <td>1\"/&gt;  <tr> <td>U-46</td> <td>"</td> <td>"</td> <td>V-675</td> <td>122</td> <td>1/2</td> <td>2900</td> <td>1\"/&gt;  <tr> <td>U-47</td> <td>"</td> <td>"</td> <td>V-675</td> <td>122</td> <td>1/2</td> <td>2900</td> <td>1\"/&gt;  <tr> <td>U-48</td> <td>"</td> <td>"</td> <td>V-675</td> <td>122</td> <td>1/2</td> <td>2900</td> <td>1\"/&gt;  <tr> <td>U-49</td> <td>"</td> <td>"</td> <td>V-675</td> <td>122</td> <td>1/2</td> <td>2900</td> <td>1\"/&gt;  <tr> <td>U-50</td> <td>"</td> <td>"</td> <td>V-675</td> <td>122</td> <td>1/2</td> <td>2900</td> <td>1\"/&gt;  </td></tr></td></tr></td></tr></td></tr></td></tr></td></tr></td></tr></td></tr></td></tr>   | U-42 | " | " | V-675 | 122 | 1/2 | 2900 | 1\"/> <tr> <td>U-43</td> <td>"</td> <td>"</td> <td>V-675</td> <td>122</td> <td>1/2</td> <td>2900</td> <td>1\"/&gt;  <tr> <td>U-44</td> <td>"</td> <td>"</td> <td>V-675</td> <td>122</td> <td>1/2</td> <td>2900</td> <td>1\"/&gt;  <tr> <td>U-45</td> <td>"</td> <td>"</td> <td>V-675</td> <td>122</td> <td>1/2</td> <td>2900</td> <td>1\"/&gt;  <tr> <td>U-46</td> <td>"</td> <td>"</td> <td>V-675</td> <td>122</td> <td>1/2</td> <td>2900</td> <td>1\"/&gt;  <tr> <td>U-47</td> <td>"</td> <td>"</td> <td>V-675</td> <td>122</td> <td>1/2</td> <td>2900</td> <td>1\"/&gt;  <tr> <td>U-48</td> <td>"</td> <td>"</td> <td>V-675</td> <td>122</td> <td>1/2</td> <td>2900</td> <td>1\"/&gt;  <tr> <td>U-49</td> <td>"</td> <td>"</td> <td>V-675</td> <td>122</td> <td>1/2</td> <td>2900</td> <td>1\"/&gt;  <tr> <td>U-50</td> <td>"</td> <td>"</td> <td>V-675</td> <td>122</td> <td>1/2</td> <td>2900</td> <td>1\"/&gt;  </td></tr></td></tr></td></tr></td></tr></td></tr></td></tr></td></tr></td></tr>  
  | U-43 | " | " | V-675 | 122 | 1/2 | 2900 | 1\"/> <tr> <td>U-44</td> <td>"</td> <td>"</td> <td>V-675</td> <td>122</td> <td>1/2</td> <td>2900</td> <td>1\"/&gt;  <tr> <td>U-45</td> <td>"</td> <td>"</td> <td>V-675</td> <td>122</td> <td>1/2</td> <td>2900</td> <td>1\"/&gt;  <tr> <td>U-46</td> <td>"</td> <td>"</td> <td>V-675</td> <td>122</td> <td>1/2</td> <td>2900</td> <td>1\"/&gt;  <tr> <td>U-47</td> <td>"</td> <td>"</td> <td>V-675</td> <td>122</td> <td>1/2</td> <td>2900</td> <td>1\"/&gt;  <tr> <td>U-48</td> <td>"</td> <td>"</td> <td>V-675</td> <td>122</td> <td>1/2</td> <td>2900</td> <td>1\"/&gt;  <tr> <td>U-49</td> <td>"</td> <td>"</td> <td>V-675</td> <td>122</td> <td>1/2</td> <td>2900</td> <td>1\"/&gt;  <tr> <td>U-50</td> <td>"</td> <td>"</td> <td>V-675</td> <td>122</td> <td>1/2</td> <td>2900</td> <td>1\"/&gt;  </td></tr></td></tr></td></tr></td></tr></td></tr></td></tr></td></tr>   | U-44 | " | " | V-675 | 122 | 1/2 | 2900 | 1\"/> <tr> <td>U-45</td> <td>"</td> <td>"</td> <td>V-675</td> <td>122</td> <td>1/2</td> <td>2900</td> <td>1\"/&gt;  <tr> <td>U-46</td> <td>"</td> <td>"</td> <td>V-675</td> <td>122</td> <td>1/2</td> <td>2900</td> <td>1\"/&gt;  <tr> <td>U-47</td> <td>"</td> <td>"</td> <td>V-675</td> <td>122</td> <td>1/2</td> <td>2900</td> <td>1\"/&gt;  <tr> <td>U-48</td> <td>"</td> <td>"</td> <td>V-675</td> <td>122</td> <td>1/2</td> <td>2900</td> <td>1\"/&gt;  <tr> <td>U-49</td> <td>"</td> <td>"</td> <td>V-675</td> <td>122</td> <td>1/2</td> <td>2900</td> <td>1\"/&gt;  <tr> <td>U-50</td> <td>"</td> <td>"</td> <td>V-675</td> <td>122</td> <td>1/2</td> <td>2900</td> <td>1\"/&gt;  </td></tr></td></tr></td></tr></td></tr></td></tr></td></tr>   | U-45 | " | " | V-675 | 122 | 1/2 | 2900 | 1\"/> <tr> <td>U-46</td> <td>"</td> <td>"</td> <td>V-675</td> <td>122</td> <td>1/2</td> <td>2900</td> <td>1\"/&gt;  <tr> <td>U-47</td> <td>"</td> <td>"</td> <td>V-675</td> <td>122</td> <td>1/2</td> <td>2900</td> <td>1\"/&gt;  <tr> <td>U-48</td> <td>"</td> <td>"</td> <td>V-675</td> <td>122</td> <td>1/2</td> <td>2900</td> <td>1\"/&gt;  <tr> <td>U-49</td> <td>"</td> <td>"</td> <td>V-675</td> <td>122</td> <td>1/2</td> <td>2900</td> <td>1\"/&gt;  <tr> <td>U-50</td> <td>"</td> <td>"</td> <td>V-675</td> <td>122</td> <td>1/2</td> <td>2900</td> <td>1\"/&gt;  </td></tr></td></tr></td></tr></td></tr></td></tr>   
   | U-46 | " | " | V-675 | 122 | 1/2 | 2900 | 1\"/> <tr> <td>U-47</td> <td>"</td> <td>"</td> <td>V-675</td> <td>122</td> <td>1/2</td> <td>2900</td> <td>1\"/&gt;  <tr> <td>U-48</td> <td>"</td> <td>"</td> <td>V-675</td> <td>122</td> <td>1/2</td> <td>2900</td> <td>1\"/&gt;  <tr> <td>U-49</td> <td>"</td> <td>"</td> <td>V-675</td> <td>122</td> <td>1/2</td> <td>2900</td> <td>1\"/&gt;  <tr> <td>U-50</td> <td>"</td> <td>"</td> <td>V-675</td> <td>122</td> <td>1/2</td> <td>2900</td> <td>1\"/&gt;  </td></tr></td></tr></td></tr></td></tr>   | U-47 | " | " | V-675 | 122 | 1/2 | 2900 | 1\"/> <tr> <td>U-48</td> <td>"</td> <td>"</td> <td>V-675</td> <td>122</td> <td>1/2</td> <td>2900</td> <td>1\"/&gt;  <tr> <td>U-49</td> <td>"</td> <td>"</td> <td>V-675</td> <td>122</td> <td>1/2</td> <td>2900</td> <td>1\"/&gt;  <tr> <td>U-50</td> <td>"</td> <td>"</td> <td>V-675</td> <td>122</td> <td>1/2</td> <td>2900</td> <td>1\"/&gt;  </td></tr></td></tr></td></tr>   | U-48 | " | " | V-675 | 122 | 1/2 | 2900 | 1\"/> <tr> <td>U-49</td> <td>"</td> <td>"</td> <td>V-675</td> <td>122</td> <td>1/2</td> <td>2900</td> <td>1\"/&gt;  <tr> <td>U-50</td> <td>"</td> <td>"</td> <td>V-675</td> <td>122</td> <td>1/2</td> <td>2900</td> <td>1\"/&gt;  </td></tr></td></tr>   | U-49 | " | " | V-675 | 122 | 1/2 | 2900 | 1\"/> <tr> <td>U-50</td> <td>"</td> <td>"</td> <td>V-675</td> <td>122</td> <td>1/2</td> <td>2900</td> <td>1\"/&gt;  </td></tr>   
   | U-50 | " | " | V-675 | 122 | 1/2 | 2900 | 1\"/>  |      |   |   |       |     |     |      |  |      |   |   |       |     |     |      | | | | | | | | | | | | | | | | | | | | | | | | | | | | | | | | | | | | | | | | | |
  |      |   |   |       |     |     |      |  |      |   |   |       |     |     |      |  |      |   |   |       |     |     |      |  |      |   |   |       |     |     |      |  |      |   |   |       |     |     |      |  
   |      |   |   |       |     |     |      |  |      |   |   |       |     |     |      |  |      |   |   |       |     |     |      |  |      |   |   |       |     |     |      |  |      |   |   |       |     |     |      |  |      |   |   |       |     |     |      |  |      |   |   |       |     |     |      |   
  |      |   |   |       |     |     |      |  |      |   |   |       |     |     |      |  |      |   |   |       |     |     |      |  |      |   |   |       |     |     |      |  |      |   |   |       |     |     |      |  |      |   |   |       |     |     |      |  |      |   |   |       |     |     |      |  |      |   |   |       |     |     |      |       |
| U-18 | "             | "                       | V-675    | 122  | 1/2           | 2900    | 1\"/> <tr> <td>U-19</td> <td>"</td> <td>"</td> <td>V-675</td> <td>122</td> <td>1/2</td> <td>2900</td> <td>1\"/&gt;  <tr> <td>U-20</td> <td>"</td> <td>"</td> <td>V-675</td> <td>122</td> <td>1/2</td> <td>2900</td> <td>1\"/&gt;  <tr> <td>U-21</td> <td>"</td> <td>"</td> <td>V-675</td> <td>122</td> <td>1/2</td> <td>2900</td> <td>1\"/&gt;  <tr> <td>U-22</td> <td>"</td> <td>"</td> <td>V-675</td> <td>122</td> <td>1/2</td> <td>2900</td> <td>1\"/&gt;  <tr> <td>U-23</td> <td>"</td> <td>"</td> <td>V-675</td> <td>122</td> <td>1/2</td> <td>2900</td> <td>1\"/&gt;  <tr> <td>U-24</td> <td>"</td> <td>"</td> <td>V-675</td> <td>122</td> <td>1/2</td> <td>2900</td> <td>1\"/&gt;  <tr> <td>U-25</td> <td>"</td> <td>"</td> <td>V-675</td> <td>122</td> <td>1/2</td> <td>2900</td> <td>1\"/&gt;  <tr> <td>U-26</td> <td>"</td> <td>"</td> <td>V-675</td> <td>122</td> <td>1/2</td> <td>2900</td> <td>1\"/&gt;  <tr> <td>U-27</td> <td>"</td> <td>"</td> <td>V-675</td> <td>122</td> <td>1/2</td> <td>2900</td> <td>1\"/&gt;  <tr> <td>U-28</td> <td>"</td> <td>"</td> <td>V-675</td> <td>122</td> <td>1/2</td> <td>2900</td> <td>1\"/&gt;  <tr> <td>U-29</td> <td>"</td> <td>"</td> <td>V-675</td> <td>122</td> <td>1/2</td> <td>2900</td> <td>1\"/&gt;  <tr> <td>U-30</td> <td>"</td> <td>"</td> <td>V-675</td> <td>122</td> <td>1/2</td> <td>2900</td> <td>1\"/&gt;  <tr> <td>U-31</td> <td>"</td> <td>"</td> <td>V-675</td> <td>122</td> <td>1/2</td> <td>2900</td> <td>1\"/&gt;  <tr> <td>U-32</td> <td>"</td> <td>"</td> <td>V-675</td> <td>122</td> <td>1/2</td> <td>2900</td> <td>1\"/&gt;  <tr> <td>U-33</td> <td>"</td> <td>"</td> <td>V-675</td> <td>122</td> <td>1/2</td> <td>2900</td> <td>1\"/&gt;  <tr> <td>U-34</td> <td>"</td> <td>"</td> <td>V-675</td> <td>122</td> <td>1/2</td> <td>2900</td> <td>1\"/&gt;  <tr> <td>U-35</td> <td>"</td> <td>"</td> <td>V-675</td> <td>122</td> <td>1/2</td> <td>2900</td> <td>1\"/&gt;  <tr> <td>U-36</td> <td>"</td> <td>"</td> <td>V-675</td> <td>122</td> <td>1/2</td> <td>2900</td> <td>1\"/&gt;  <tr> <td>U-37</td> <td>"</td> <td>"</td> <td>V-675</td> <td>122</td> <td>1/2</td> <td>2900</td> <td>1\"/&gt;  <tr> <td>U-38</td> <td>"</td> <td>"</td> <td>V-675</td> <td>122</td> <td>1/2</td> <td>2900</td> <td>1\"/&gt;  <tr> <td>U-39</td> <td>"</td> <td>"</td> <td>V-675</td> <td>122</td> <td>1/2</td> <td>2900</td> <td>1\"/&gt;  <tr> <td>U-40</td> <td>"</td> <td>"</td> <td>V-675</td> <td>122</td> <td>1/2</td> <td>2900</td> <td>1\"/&gt;  <tr> <td>U-41</td> <td>"</td> <td>"</td> <td>V-675</td> <td>122</td> <td>1/2</td> <td>2900</td> <td>1\"/&gt;  <tr> <td>U-42</td> <td>"</td> <td>"</td> <td>V-675</td> <td>122</td> <td>1/2</td> <td>2900</td> <td>1\"/&gt;  <tr> <td>U-43</td> <td>"</td> <td>"</td> <td>V-675</td> <td>122</td> <td>1/2</td> <td>2900</td> <td>1\"/&gt;  <tr> <td>U-44</td> <td>"</td> <td>"</td> <td>V-675</td> <td>122</td> <td>1/2</td> <td>2900</td> <td>1\"/&gt;  <tr> <td>U-45</td> <td>"</td> <td>"</td> <td>V-675</td> <td>122</td> <td>1/2</td> <td>2900</td> <td>1\"/&gt;  <tr> <td>U-46</td> <td>"</td> <td>"</td> <td>V-675</td> <td>122</td> <td>1/2</td> <td>2900</td> <td>1\"/&gt;  <tr> <td>U-47</td> <td>"</td> <td>"</td> <td>V-675</td> <td>122</td> <td>1/2</td> <td>2900</td> <td>1\"/&gt;  <tr> <td>U-48</td> <td>"</td> <td>"</td> <td>V-675</td> <td>122</td> <td>1/2</td> <td>2900</td> <td>1\"/&gt;  <tr> <td>U-49</td> <td>"</td> <td>"</td> <td>V-675</td> <td>122</td> <td>1/2</td> <td>2900</td> <td>1\"/&gt;  <tr> <td>U-50</td> <td>"</td> <td>"</td> <td>V-675</td> <td>122</td> <td>1/2</td> <td>2900</td> <td>1\"/&gt;  </td></tr></td></tr></td></tr></td></tr></td></tr></td></tr></td></tr></td></tr></td></tr></td></tr></td></tr></td></tr></td></tr></td></tr></td></tr></td></tr></td></tr></td></tr></td></tr></td></tr></td></tr></td></tr></td></tr></td></tr></td></tr></td></tr></td></tr></td></tr></td></tr></td></tr></td></tr></td></tr>  | U-19 | " | " | V-675  | 122  | 1/2 | 2900   | 1\"/> <tr> <td>U-20</td> <td>"</td> <td>"</td> <td>V-675</td> <td>122</td> <td>1/2</td> <td>2900</td> <td>1\"/&gt;  <tr> <td>U-21</td> <td>"</td> <td>"</td> <td>V-675</td> <td>122</td> <td>1/2</td> <td>2900</td> <td>1\"/&gt;  <tr> <td>U-22</td> <td>"</td> <td>"</td> <td>V-675</td> <td>122</td> <td>1/2</td> <td>2900</td> <td>1\"/&gt;  <tr> <td>U-23</td> <td>"</td> <td>"</td> <td>V-675</td> <td>122</td> <td>1/2</td> <td>2900</td> <td>1\"/&gt;  <tr> <td>U-24</td> <td>"</td> <td>"</td> <td>V-675</td> <td>122</td> <td>1/2</td> <td>2900</td> <td>1\"/&gt;  <tr> <td>U-25</td> <td>"</td> <td>"</td> <td>V-675</td> <td>122</td> <td>1/2</td> <td>2900</td> <td>1\"/&gt;  <tr> <td>U-26</td> <td>"</td> <td>"</td> <td>V-675</td> <td>122</td> <td>1/2</td> <td>2900</td> <td>1\"/&gt;  <tr> <td>U-27</td> <td>"</td> <td>"</td> <td>V-675</td> <td>122</td> <td>1/2</td> <td>2900</td> <td>1\"/&gt;  <tr> <td>U-28</td> <td>"</td> <td>"</td> <td>V-675</td> <td>122</td> <td>1/2</td> <td>2900</td> <td>1\"/&gt;  <tr> <td>U-29</td> <td>"</td> <td>"</td> <td>V-675</td> <td>122</td> <td>1/2</td> <td>2900</td> <td>1\"/&gt;  <tr> <td>U-30</td> <td>"</td> <td>"</td> <td>V-675</td> <td>122</td> <td>1/2</td> <td>2900</td> <td>1\"/&gt;  <tr> <td>U-31</td> <td>"</td> <td>"</td> <td>V-675</td> <td>122</td> <td>1/2</td> <td>2900</td> <td>1\"/&gt;  <tr> <td>U-32</td> <td>"</td> <td>"</td> <td>V-675</td> <td>122</td> <td>1/2</td> <td>2900</td> <td>1\"/&gt;  <tr> <td>U-33</td> <td>"</td> <td>"</td> <td>V-675</td> <td>122</td> <td>1/2</td> <td>2900</td> <td>1\"/&gt;  <tr> <td>U-34</td> <td>"</td> <td>"</td> <td>V-675</td> <td>122</td> <td>1/2</td> <td>2900</td> <td>1\"/&gt;  <tr> <td>U-35</td> <td>"</td> <td>"</td> <td>V-675</td> <td>122</td> <td>1/2</td> <td>2900</td> <td>1\"/&gt;  <tr> <td>U-36</td> <td>"</td> <td>"</td> <td>V-675</td> <td>122</td> <td>1/2</td> <td>2900</td> <td>1\"/&gt;  <tr> <td>U-37</td> <td>"</td> <td>"</td> <td>V-675</td> <td>122</td> <td>1/2</td> <td>2900</td> <td>1\"/&gt;  <tr> <td>U-38</td> <td>"</td> <td>"</td> <td>V-675</td> <td>122</td> <td>1/2</td> <td>2900</td> <td>1\"/&gt;  <tr> <td>U-39</td> <td>"</td> <td>"</td> <td>V-675</td> <td>122</td> <td>1/2</td> <td>2900</td> <td>1\"/&gt;  <tr> <td>U-40</td> <td>"</td> <td>"</td> <td>V-675</td> <td>122</td> <td>1/2</td> <td>2900</td> <td>1\"/&gt;  <tr> <td>U-41</td> <td>"</td> <td>"</td> <td>V-675</td> <td>122</td> <td>1/2</td> <td>2900</td> <td>1\"/&gt;  <tr> <td>U-42</td> <td>"</td> <td>"</td> <td>V-675</td> <td>122</td> <td>1/2</td> <td>2900</td> <td>1\"/&gt;  <tr> <td>U-43</td> <td>"</td> <td>"</td> <td>V-675</td> <td>122</td> <td>1/2</td> <td>2900</td> <td>1\"/&gt;  <tr> <td>U-44</td> <td>"</td> <td>"</td> <td>V-675</td> <td>122</td> <td>1/2</td> <td>2900</td> <td>1\"/&gt;  <tr> <td>U-45</td> <td>"</td> <td>"</td> <td>V-675</td> <td>122</td> <td>1/2</td> <td>2900</td> <td>1\"/&gt;  <tr> <td>U-46</td> <td>"</td> <td>"</td> <td>V-675</td> <td>122</td> <td>1/2</td> <td>2900</td> <td>1\"/&gt;  <tr> <td>U-47</td> <td>"</td> <td>"</td> <td>V-675</td> <td>122</td> <td>1/2</td> <td>2900</td> <td>1\"/&gt;  <tr> <td>U-48</td> <td>"</td> <td>"</td> <td>V-675</td> <td>122</td> <td>1/2</td> <td>2900</td> <td>1\"/&gt;  <tr> <td>U-49</td> <td>"</td> <td>"</td> <td>V-675</td> <td>122</td> <td>1/2</td> <td>2900</td> <td>1\"/&gt; 
<tr> <td>U-50</td> <td>"</td> <td>"</td> <td>V-675</td> <td>122</td> <td>1/2</td> <td>2900</td> <td>1\"/&gt;  </td></tr></td></tr></td></tr></td></tr></td></tr></td></tr></td></tr></td></tr></td></tr></td></tr></td></tr></td></tr></td></tr></td></tr></td></tr></td></tr></td></tr></td></tr></td></tr></td></tr></td></tr></td></tr></td></tr></td></tr></td></tr></td></tr></td></tr></td></tr></td></tr></td></tr></td></tr>   | U-20 | " | " | V-675  | 122 | 1/2 | 2900   | 1\"/> <tr> <td>U-21</td> <td>"</td> <td>"</td> <td>V-675</td> <td>122</td> <td>1/2</td> <td>2900</td> <td>1\"/&gt;  <tr> <td>U-22</td> <td>"</td> <td>"</td> <td>V-675</td> <td>122</td> <td>1/2</td> <td>2900</td> <td>1\"/&gt;  <tr> <td>U-23</td> <td>"</td> <td>"</td> <td>V-675</td> <td>122</td> <td>1/2</td> <td>2900</td> <td>1\"/&gt;  <tr> <td>U-24</td> <td>"</td> <td>"</td> <td>V-675</td> <td>122</td> <td>1/2</td> <td>2900</td> <td>1\"/&gt;  <tr> <td>U-25</td> <td>"</td> <td>"</td> <td>V-675</td> <td>122</td> <td>1/2</td> <td>2900</td> <td>1\"/&gt;  <tr> <td>U-26</td> <td>"</td> <td>"</td> <td>V-675</td> <td>122</td> <td>1/2</td> <td>2900</td> <td>1\"/&gt;  <tr> <td>U-27</td> <td>"</td> <td>"</td> <td>V-675</td> <td>122</td> <td>1/2</td> <td>2900</td> <td>1\"/&gt;  <tr> <td>U-28</td> <td>"</td> <td>"</td> <td>V-675</td> <td>122</td> <td>1/2</td> <td>2900</td> <td>1\"/&gt;  <tr> <td>U-29</td> <td>"</td> <td>"</td> <td>V-675</td> <td>122</td> <td>1/2</td> <td>2900</td> <td>1\"/&gt;  <tr> <td>U-30</td> <td>"</td> <td>"</td> <td>V-675</td> <td>122</td> <td>1/2</td> <td>2900</td> <td>1\"/&gt;  <tr> <td>U-31</td> <td>"</td> <td>"</td> <td>V-675</td> <td>122</td> <td>1/2</td> <td>2900</td> <td>1\"/&gt;  <tr> <td>U-32</td> <td>"</td> <td>"</td> <td>V-675</td> <td>122</td> <td>1/2</td> <td>2900</td> <td>1\"/&gt;  <tr> <td>U-33</td> <td>"</td> <td>"</td> <td>V-675</td> <td>122</td> <td>1/2</td> <td>2900</td> <td>1\"/&gt;  <tr> <td>U-34</td> <td>"</td> <td>"</td> <td>V-675</td> <td>122</td> <td>1/2</td> <td>2900</td> <td>1\"/&gt;  <tr> <td>U-35</td> <td>"</td> <td>"</td> <td>V-675</td> <td>122</td> <td>1/2</td> <td>2900</td> <td>1\"/&gt;  <tr> <td>U-36</td> <td>"</td> <td>"</td> <td>V-675</td> <td>122</td> <td>1/2</td> <td>2900</td> <td>1\"/&gt;  <tr> <td>U-37</td> <td>"</td> <td>"</td> <td>V-675</td> <td>122</td> <td>1/2</td> <td>2900</td> <td>1\"/&gt;  <tr> <td>U-38</td> <td>"</td> <td>"</td> <td>V-675</td> <td>122</td> <td>1/2</td> <td>2900</td> <td>1\"/&gt;  <tr> <td>U-39</td> <td>"</td> <td>"</td> <td>V-675</td> <td>122</td> <td>1/2</td> <td>2900</td> <td>1\"/&gt;  <tr> <td>U-40</td> <td>"</td> <td>"</td> <td>V-675</td> <td>122</td> <td>1/2</td> <td>2900</td> <td>1\"/&gt;  <tr> <td>U-41</td> <td>"</td> <td>"</td> <td>V-675</td> <td>122</td> <td>1/2</td> <td>2900</td> <td>1\"/&gt;  <tr> <td>U-42</td> <td>"</td> <td>"</td> <td>V-675</td> <td>122</td> <td>1/2</td> <td>2900</td> <td>1\"/&gt;  <tr> <td>U-43</td> <td>"</td> <td>"</td> <td>V-675</td> <td>122</td> <td>1/2</td> <td>2900</td> <td>1\"/&gt;  <tr> <td>U-44</td> <td>"</td> <td>"</td> <td>V-675</td> <td>122</td> <td>1/2</td> <td>2900</td> <td>1\"/&gt;  <tr> <td>U-45</td> <td>"</td> <td>"</td> <td>V-675</td> <td>122</td> <td>1/2</td> <td>2900</td> <td>1\"/&gt;  <tr> <td>U-46</td> <td>"</td> <td>"</td> <td>V-675</td> <td>122</td> <td>1/2</td> <td>2900</td> <td>1\"/&gt;  <tr> <td>U-47</td> <td>"</td> <td>"</td> <td>V-675</td> <td>122</td> <td>1/2</td> <td>2900</td> <td>1\"/&gt;  <tr> <td>U-48</td> <td>"</td> <td>"</td> <td>V-675</td> <td>122</td> <td>1/2</td> <td>2900</td> <td>1\"/&gt;  <tr> <td>U-49</td> <td>"</td> <td>"</td> <td>V-675</td> <td>122</td> <td>1/2</td> <td>2900</td> <td>1\"/&gt;  <tr> <td>U-50</td> <td>"</td> <td>"</td> <td>V-675</td> <td>122</td> <td>1/2</td> <td>2900</td> <td>1\"/&gt;  </td></tr></td></tr></td></tr></td></tr></td></tr></td></tr></td></tr></td></tr></td></tr></td></tr></td></tr></td></tr></td></tr></td></tr></td></tr></td></tr></td></tr></td></tr></td></tr></td></tr></td></tr></td></tr></td></tr></td></tr></td></tr></td></tr></td></tr></td></tr></td></tr></td></tr>   | U-21 | " | " | V-675 | 122 | 1/2 | 2900    | 1\"/> <tr> <td>U-22</td> <td>"</td> <td>"</td> <td>V-675</td> <td>122</td> <td>1/2</td> <td>2900</td> <td>1\"/&gt;  <tr> <td>U-23</td> <td>"</td> <td>"</td> <td>V-675</td> <td>122</td> <td>1/2</td> <td>2900</td> <td>1\"/&gt;  <tr> <td>U-24</td> <td>"</td> <td>"</td> <td>V-675</td> <td>122</td> <td>1/2</td> <td>2900</td> <td>1\"/&gt;  <tr> <td>U-25</td> <td>"</td> <td>"</td> <td>V-675</td> <td>122</td> <td>1/2</td> <td>2900</td> <td>1\"/&gt;  <tr> <td>U-26</td> <td>"</td> <td>"</td> <td>V-675</td> <td>122</td> <td>1/2</td> <td>2900</td> <td>1\"/&gt;  <tr> <td>U-27</td> <td>"</td> <td>"</td> <td>V-675</td> <td>122</td> <td>1/2</td> <td>2900</td> <td>1\"/&gt;  <tr> <td>U-28</td> <td>"</td> <td>"</td> <td>V-675</td> <td>122</td> <td>1/2</td> <td>2900</td> <td>1\"/&gt;  <tr> <td>U-29</td> <td>"</td> <td>"</td> <td>V-675</td> <td>122</td> <td>1/2</td> <td>2900</td> <td>1\"/&gt;  <tr> <td>U-30</td> <td>"</td> <td>"</td> <td>V-675</td> <td>122</td> <td>1/2</td> <td>2900</td> <td>1\"/&gt;  <tr> <td>U-31</td> <td>"</td> <td>"</td> <td>V-675</td> <td>122</td> <td>1/2</td> <td>2900</td> <td>1\"/&gt;  <tr> <td>U-32</td> <td>"</td> <td>"</td> <td>V-675</td> <td>122</td> <td>1/2</td> <td>2900</td> <td>1\"/&gt;  <tr> <td>U-33</td> <td>"</td> <td>"</td> <td>V-675</td> <td>122</td> <td>1/2</td> <td>2900</td> <td>1\"/&gt;  <tr> <td>U-34</td> <td>"</td> <td>"</td> <td>V-675</td> <td>122</td> <td>1/2</td> <td>2900</td> <td>1\"/&gt;  <tr> <td>U-35</td> <td>"</td> <td>"</td> <td>V-675</td> <td>122</td> <td>1/2</td> <td>2900</td> <td>1\"/&gt;  <tr> <td>U-36</td> <td>"</td> <td>"</td> <td>V-675</td> <td>122</td> <td>1/2</td> <td>2900</td> <td>1\"/&gt;  <tr> <td>U-37</td> <td>"</td> <td>"</td> <td>V-675</td> <td>122</td> <td>1/2</td> <td>2900</td> <td>1\"/&gt;  <tr> <td>U-38</td> <td>"</td> <td>"</td>
<td>V-675</td> <td>122</td> <td>1/2</td> <td>2900</td> <td>1\"/&gt;  <tr> <td>U-39</td> <td>"</td> <td>"</td> <td>V-675</td> <td>122</td> <td>1/2</td> <td>2900</td> <td>1\"/&gt;  <tr> <td>U-40</td> <td>"</td> <td>"</td> <td>V-675</td> <td>122</td> <td>1/2</td> <td>2900</td> <td>1\"/&gt;  <tr> <td>U-41</td> <td>"</td> <td>"</td> <td>V-675</td> <td>122</td> <td>1/2</td> <td>2900</td> <td>1\"/&gt;  <tr> <td>U-42</td> <td>"</td> <td>"</td> <td>V-675</td> <td>122</td> <td>1/2</td> <td>2900</td> <td>1\"/&gt;  <tr> <td>U-43</td> <td>"</td> <td>"</td> <td>V-675</td> <td>122</td> <td>1/2</td> <td>2900</td> <td>1\"/&gt;  <tr> <td>U-44</td> <td>"</td> <td>"</td> <td>V-675</td> <td>122</td> <td>1/2</td> <td>2900</td> <td>1\"/&gt;  <tr> <td>U-45</td> <td>"</td> <td>"</td> <td>V-675</td> <td>122</td> <td>1/2</td> <td>2900</td> <td>1\"/&gt;  <tr> <td>U-46</td> <td>"</td> <td>"</td> <td>V-675</td> <td>122</td> <td>1/2</td> <td>2900</td> <td>1\"/&gt;  <tr> <td>U-47</td> <td>"</td> <td>"</td> <td>V-675</td> <td>122</td> <td>1/2</td> <td>2900</td> <td>1\"/&gt;  <tr> <td>U-48</td> <td>"</td> <td>"</td> <td>V-675</td> <td>122</td> <td>1/2</td> <td>2900</td> <td>1\"/&gt;  <tr> <td>U-49</td> <td>"</td> <td>"</td> <td>V-675</td> <td>122</td> <td>1/2</td> <td>2900</td> <td>1\"/&gt;  <tr> <td>U-50</td> <td>"</td> <td>"</td> <td>V-675</td> <td>122</td> <td>1/2</td> <td>2900</td> <td>1\"/&gt;  </td></tr></td></tr></td></tr></td></tr></td></tr></td></tr></td></tr></td></tr></td></tr></td></tr></td></tr></td></tr></td></tr></td></tr></td></tr></td></tr></td></tr></td></tr></td></tr></td></tr></td></tr></td></tr></td></tr></td></tr></td></tr></td></tr></td></tr></td></tr></td></tr>  | U-22 | " | " | V-675 | 122 | 1/2 | 2900   | 1\"/> <tr> <td>U-23</td> <td>"</td> <td>"</td> <td>V-675</td> <td>122</td> <td>1/2</td> <td>2900</td> <td>1\"/&gt;  <tr> <td>U-24</td> <td>"</td> <td>"</td> <td>V-675</td> <td>122</td> <td>1/2</td> <td>2900</td> <td>1\"/&gt;  <tr> <td>U-25</td> <td>"</td> <td>"</td> <td>V-675</td> <td>122</td> <td>1/2</td> <td>2900</td> <td>1\"/&gt;  <tr> <td>U-26</td> <td>"</td> <td>"</td> <td>V-675</td> <td>122</td> <td>1/2</td> <td>2900</td> <td>1\"/&gt;  <tr> <td>U-27</td> <td>"</td> <td>"</td> <td>V-675</td> <td>122</td> <td>1/2</td> <td>2900</td> <td>1\"/&gt;  <tr> <td>U-28</td> <td>"</td> <td>"</td> <td>V-675</td> <td>122</td> <td>1/2</td> <td>2900</td> <td>1\"/&gt;  <tr> <td>U-29</td> <td>"</td> <td>"</td> <td>V-675</td> <td>122</td> <td>1/2</td> <td>2900</td> <td>1\"/&gt;  <tr> <td>U-30</td> <td>"</td> <td>"</td> <td>V-675</td> <td>122</td> <td>1/2</td> <td>2900</td> <td>1\"/&gt;  <tr> <td>U-31</td> <td>"</td> <td>"</td> <td>V-675</td> <td>122</td> <td>1/2</td> <td>2900</td> <td>1\"/&gt;  <tr> <td>U-32</td> <td>"</td> <td>"</td> <td>V-675</td> <td>122</td> <td>1/2</td> <td>2900</td> <td>1\"/&gt;  <tr> <td>U-33</td> <td>"</td> <td>"</td> <td>V-675</td> <td>122</td> <td>1/2</td> <td>2900</td> <td>1\"/&gt;  <tr> <td>U-34</td> <td>"</td> <td>"</td> <td>V-675</td> <td>122</td> <td>1/2</td> <td>2900</td> <td>1\"/&gt;  <tr> <td>U-35</td> <td>"</td> <td>"</td> <td>V-675</td> <td>122</td> <td>1/2</td> <td>2900</td> <td>1\"/&gt;  <tr> <td>U-36</td> <td>"</td> <td>"</td> <td>V-675</td> <td>122</td> <td>1/2</td> <td>2900</td> <td>1\"/&gt;  <tr> <td>U-37</td> <td>"</td> <td>"</td> <td>V-675</td> <td>122</td> <td>1/2</td> <td>2900</td> <td>1\"/&gt;  <tr> <td>U-38</td> <td>"</td> <td>"</td> <td>V-675</td> <td>122</td> <td>1/2</td> <td>2900</td> <td>1\"/&gt;  <tr> <td>U-39</td> <td>"</td> <td>"</td> <td>V-675</td> <td>122</td> <td>1/2</td> <td>2900</td> <td>1\"/&gt;  <tr> <td>U-40</td> <td>"</td> <td>"</td> <td>V-675</td> <td>122</td> <td>1/2</td> <td>2900</td> <td>1\"/&gt;  <tr> <td>U-41</td> <td>"</td> <td>"</td> <td>V-675</td> <td>122</td> <td>1/2</td> <td>2900</td> <td>1\"/&gt;  <tr> <td>U-42</td> <td>"</td> <td>"</td> <td>V-675</td> <td>122</td> <td>1/2</td> <td>2900</td> <td>1\"/&gt;  <tr> <td>U-43</td> <td>"</td> <td>"</td> <td>V-675</td> <td>122</td> <td>1/2</td> <td>2900</td> <td>1\"/&gt;  <tr> <td>U-44</td> <td>"</td> <td>"</td> <td>V-675</td> <td>122</td> <td>1/2</td> <td>2900</td> <td>1\"/&gt;  <tr> <td>U-45</td> <td>"</td> <td>"</td> <td>V-675</td> <td>122</td> <td>1/2</td> <td>2900</td> <td>1\"/&gt;  <tr> <td>U-46</td> <td>"</td> <td>"</td> <td>V-675</td> <td>122</td> <td>1/2</td> <td>2900</td> <td>1\"/&gt;  <tr> <td>U-47</td> <td>"</td> <td>"</td> <td>V-675</td> <td>122</td> <td>1/2</td> <td>2900</td> <td>1\"/&gt;  <tr> <td>U-48</td> <td>"</td> <td>"</td> <td>V-675</td> <td>122</td> <td>1/2</td> <td>2900</td> <td>1\"/&gt;  <tr> <td>U-49</td> <td>"</td> <td>"</td> <td>V-675</td> <td>122</td> <td>1/2</td> <td>2900</td> <td>1\"/&gt;  <tr> <td>U-50</td> <td>"</td> <td>"</td> <td>V-675</td> <td>122</td> <td>1/2</td> <td>2900</td> <td>1\"/&gt;  </td></tr></td></tr></td></tr></td></tr></td></tr></td></tr></td></tr></td></tr></td></tr></td></tr></td></tr></td></tr></td></tr></td></tr></td></tr></td></tr></td></tr></td></tr></td></tr></td></tr></td></tr></td></tr></td></tr></td></tr></td></tr></td></tr></td></tr></td></tr>   | U-23 | " | " | V-675 | 122 | 1/2 | 2900    | 1\"/> <tr> <td>U-24</td> <td>"</td> <td>"</td> <td>V-675</td> <td>122</td> <td>1/2</td> <td>2900</td> <td>1\"/&gt;  <tr> <td>U-25</td> <td>"</td> <td>"</td> <td>V-675</td> <td>122</td> <td>1/2</td> <td>2900</td> <td>1\"/&gt;  <tr> <td>U-26</td> <td>"</td> <td>"</td> <td>V-675</td> <td>122</td> <td>1/2</td> <td>2900</td> <td>1\"/&gt;  <tr> <td>U-27</td> <td>"</td> <td>"</td> <td>V-675</td> <td>122</td> <td>1/2</td> <td>2900</td> <td>1\"/&gt;  <tr> <td>U-28</td> <td>"</td> <td>"</td> <td>V-675</td> <td>122</td> <td>1/2</td> <td>2900</td> <td>1\"/&gt;  <tr> <td>U-29</td> <td>"</td> <td>"</td> <td>V-675</td> <td>122</td> <td>1/2</td> <td>2900</td> <td>1\"/&gt;  <tr> <td>U-30</td> <td>"</td> <td>"</td> <td>V-675</td> <td>122</td> <td>1/2</td> <td>2900</td> <td>1\"/&gt;  <tr>
<td>U-31</td> <td>"</td> <td>"</td> <td>V-675</td> <td>122</td> <td>1/2</td> <td>2900</td> <td>1\"/&gt;  <tr> <td>U-32</td> <td>"</td> <td>"</td> <td>V-675</td> <td>122</td> <td>1/2</td> <td>2900</td> <td>1\"/&gt;  <tr> <td>U-33</td> <td>"</td> <td>"</td> <td>V-675</td> <td>122</td> <td>1/2</td> <td>2900</td> <td>1\"/&gt;  <tr> <td>U-34</td> <td>"</td> <td>"</td> <td>V-675</td> <td>122</td> <td>1/2</td> <td>2900</td> <td>1\"/&gt;  <tr> <td>U-35</td> <td>"</td> <td>"</td> <td>V-675</td> <td>122</td> <td>1/2</td> <td>2900</td> <td>1\"/&gt;  <tr> <td>U-36</td> <td>"</td> <td>"</td> <td>V-675</td> <td>122</td> <td>1/2</td> <td>2900</td> <td>1\"/&gt;  <tr> <td>U-37</td> <td>"</td> <td>"</td> <td>V-675</td> <td>122</td> <td>1/2</td> <td>2900</td> <td>1\"/&gt;  <tr> <td>U-38</td> <td>"</td> <td>"</td> <td>V-675</td> <td>122</td> <td>1/2</td> <td>2900</td> <td>1\"/&gt;  <tr> <td>U-39</td> <td>"</td> <td>"</td> <td>V-675</td> <td>122</td> <td>1/2</td> <td>2900</td> <td>1\"/&gt;  <tr> <td>U-40</td> <td>"</td> <td>"</td> <td>V-675</td> <td>122</td> <td>1/2</td> <td>2900</td> <td>1\"/&gt;  <tr> <td>U-41</td> <td>"</td> <td>"</td> <td>V-675</td> <td>122</td> <td>1/2</td> <td>2900</td> <td>1\"/&gt;  <tr> <td>U-42</td> <td>"</td> <td>"</td> <td>V-675</td> <td>122</td> <td>1/2</td> <td>2900</td> <td>1\"/&gt;  <tr> <td>U-43</td> <td>"</td> <td>"</td> <td>V-675</td> <td>122</td> <td>1/2</td> <td>2900</td> <td>1\"/&gt;  <tr> <td>U-44</td> <td>"</td> <td>"</td> <td>V-675</td> <td>122</td> <td>1/2</td> <td>2900</td> <td>1\"/&gt;  <tr> <td>U-45</td> <td>"</td> <td>"</td> <td>V-675</td> <td>122</td> <td>1/2</td> <td>2900</td> <td>1\"/&gt;  <tr> <td>U-46</td> <td>"</td> <td>"</td> <td>V-675</td> <td>122</td> <td>1/2</td> <td>2900</td> <td>1\"/&gt;  <tr> <td>U-47</td> <td>"</td> <td>"</td> <td>V-675</td> <td>122</td> <td>1/2</td> <td>2900</td> <td>1\"/&gt;  <tr> <td>U-48</td> <td>"</td> <td>"</td> <td>V-675</td> <td>122</td> <td>1/2</td> <td>2900</td> <td>1\"/&gt;  <tr> <td>U-49</td> <td>"</td> <td>"</td> <td>V-675</td> <td>122</td> <td>1/2</td> <td>2900</td> <td>1\"/&gt;  <tr> <td>U-50</td> <td>"</td> <td>"</td> <td>V-675</td> <td>122</td> <td>1/2</td> <td>2900</td> <td>1\"/&gt;  </td></tr></td></tr></td></tr></td></tr></td></tr></td></tr></td></tr></td></tr></td></tr></td></tr></td></tr></td></tr></td></tr></td></tr></td></tr></td></tr></td></tr></td></tr></td></tr></td></tr></td></tr></td></tr></td></tr></td></tr></td></tr></td></tr></td></tr>  | U-24 | "           | "      | V-675  | 122  | 1/2 | 2900 | 1\"/> <tr> <td>U-25</td> <td>"</td> <td>"</td> <td>V-675</td> <td>122</td> <td>1/2</td> <td>2900</td> <td>1\"/&gt;  <tr> <td>U-26</td> <td>"</td> <td>"</td> <td>V-675</td> <td>122</td> <td>1/2</td> <td>2900</td> <td>1\"/&gt;  <tr> <td>U-27</td> <td>"</td> <td>"</td> <td>V-675</td> <td>122</td> <td>1/2</td> <td>2900</td> <td>1\"/&gt;  <tr> <td>U-28</td> <td>"</td> <td>"</td> <td>V-675</td> <td>122</td> <td>1/2</td> <td>2900</td> <td>1\"/&gt;  <tr> <td>U-29</td> <td>"</td> <td>"</td> <td>V-675</td> <td>122</td> <td>1/2</td> <td>2900</td> <td>1\"/&gt;  <tr> <td>U-30</td> <td>"</td> <td>"</td> <td>V-675</td> <td>122</td> <td>1/2</td> <td>2900</td> <td>1\"/&gt;  <tr> <td>U-31</td> <td>"</td> <td>"</td> <td>V-675</td> <td>122</td> <td>1/2</td> <td>2900</td> <td>1\"/&gt;  <tr> <td>U-32</td> <td>"</td> <td>"</td> <td>V-675</td> <td>122</td> <td>1/2</td> <td>2900</td> <td>1\"/&gt;  <tr> <td>U-33</td> <td>"</td> <td>"</td> <td>V-675</td> <td>122</td> <td>1/2</td> <td>2900</td> <td>1\"/&gt;  <tr> <td>U-34</td> <td>"</td> <td>"</td> <td>V-675</td> <td>122</td> <td>1/2</td> <td>2900</td> <td>1\"/&gt;  <tr> <td>U-35</td> <td>"</td> <td>"</td> <td>V-675</td> <td>122</td> <td>1/2</td> <td>2900</td> <td>1\"/&gt;  <tr> <td>U-36</td> <td>"</td> <td>"</td> <td>V-675</td> <td>122</td> <td>1/2</td> <td>2900</td> <td>1\"/&gt;  <tr> <td>U-37</td> <td>"</td> <td>"</td> <td>V-675</td> <td>122</td> <td>1/2</td> <td>2900</td> <td>1\"/&gt;  <tr> <td>U-38</td> <td>"</td> <td>"</td> <td>V-675</td> <td>122</td> <td>1/2</td> <td>2900</td> <td>1\"/&gt;  <tr> <td>U-39</td> <td>"</td> <td>"</td> <td>V-675</td> <td>122</td> <td>1/2</td> <td>2900</td> <td>1\"/&gt;  <tr> <td>U-40</td> <td>"</td> <td>"</td> <td>V-675</td> <td>122</td> <td>1/2</td> <td>2900</td> <td>1\"/&gt;  <tr> <td>U-41</td> <td>"</td> <td>"</td> <td>V-675</td> <td>122</td> <td>1/2</td> <td>2900</td> <td>1\"/&gt;  <tr> <td>U-42</td> <td>"</td> <td>"</td> <td>V-675</td> <td>122</td> <td>1/2</td> <td>2900</td> <td>1\"/&gt;  <tr> <td>U-43</td> <td>"</td> <td>"</td> <td>V-675</td> <td>122</td> <td>1/2</td> <td>2900</td> <td>1\"/&gt;  <tr> <td>U-44</td> <td>"</td> <td>"</td> <td>V-675</td> <td>122</td> <td>1/2</td> <td>2900</td> <td>1\"/&gt;  <tr> <td>U-45</td> <td>"</td> <td>"</td> <td>V-675</td> <td>122</td> <td>1/2</td> <td>2900</td> <td>1\"/&gt;  <tr> <td>U-46</td> <td>"</td> <td>"</td> <td>V-675</td> <td>122</td> <td>1/2</td> <td>2900</td> <td>1\"/&gt;  <tr> <td>U-47</td> <td>"</td> <td>"</td> <td>V-675</td> <td>122</td> <td>1/2</td> <td>2900</td> <td>1\"/&gt;  <tr> <td>U-48</td> <td>"</td> <td>"</td> <td>V-675</td> <td>122</td> <td>1/2</td> <td>2900</td> <td>1\"/&gt;  <tr> <td>U-49</td> <td>"</td> <td>"</td> <td>V-675</td> <td>122</td> <td>1/2</td> <td>2900</td> <td>1\"/&gt;  <tr> <td>U-50</td> <td>"</td> <td>"</td> <td>V-675</td> <td>122</td> <td>1/2</td> <td>2900</td> <td>1\"/&gt;  </td></tr></td></tr></td></tr></td></tr></td></tr></td></tr></td></tr></td></tr></td></tr></td></tr></td></tr></td></tr></td></tr></td></tr></td></tr></td></tr></td></tr></td></tr></td></tr></td></tr></td></tr></td></tr></td></tr></td></tr></td></tr></td></tr>   
  | U-25 | " | " | V-675  | 122  | 1/2 | 2900 | 1\"/> <tr> <td>U-26</td> <td>"</td> <td>"</td> <td>V-675</td> <td>122</td> <td>1/2</td> <td>2900</td> <td>1\"/&gt;  <tr> <td>U-27</td> <td>"</td> <td>"</td> <td>V-675</td> <td>122</td> <td>1/2</td> <td>2900</td> <td>1\"/&gt;  <tr> <td>U-28</td> <td>"</td> <td>"</td> <td>V-675</td> <td>122</td> <td>1/2</td> <td>2900</td> <td>1\"/&gt;  <tr> <td>U-29</td> <td>"</td> <td>"</td> <td>V-675</td> <td>122</td> <td>1/2</td> <td>2900</td> <td>1\"/&gt;  <tr> <td>U-30</td> <td>"</td> <td>"</td> <td>V-675</td> <td>122</td> <td>1/2</td> <td>2900</td> <td>1\"/&gt;  <tr> <td>U-31</td> <td>"</td> <td>"</td> <td>V-675</td> <td>122</td> <td>1/2</td> <td>2900</td> <td>1\"/&gt;  <tr> <td>U-32</td> <td>"</td> <td>"</td> <td>V-675</td> <td>122</td> <td>1/2</td> <td>2900</td> <td>1\"/&gt;  <tr> <td>U-33</td> <td>"</td> <td>"</td> <td>V-675</td> <td>122</td> <td>1/2</td> <td>2900</td> <td>1\"/&gt;  <tr> <td>U-34</td> <td>"</td> <td>"</td> <td>V-675</td> <td>122</td> <td>1/2</td> <td>2900</td> <td>1\"/&gt;  <tr> <td>U-35</td> <td>"</td> <td>"</td> <td>V-675</td> <td>122</td> <td>1/2</td> <td>2900</td> <td>1\"/&gt;  <tr> <td>U-36</td> <td>"</td> <td>"</td> <td>V-675</td> <td>122</td> <td>1/2</td> <td>2900</td> <td>1\"/&gt;  <tr> <td>U-37</td> <td>"</td> <td>"</td> <td>V-675</td> <td>122</td> <td>1/2</td> <td>2900</td> <td>1\"/&gt;  <tr> <td>U-38</td> <td>"</td> <td>"</td> <td>V-675</td> <td>122</td> <td>1/2</td> <td>2900</td> <td>1\"/&gt;  <tr> <td>U-39</td> <td>"</td> <td>"</td> <td>V-675</td> <td>122</td> <td>1/2</td> <td>2900</td> <td>1\"/&gt;  <tr> <td>U-40</td> <td>"</td> <td>"</td> <td>V-675</td> <td>122</td> <td>1/2</td> <td>2900</td> <td>1\"/&gt;  <tr> <td>U-41</td> <td>"</td> <td>"</td> <td>V-675</td> <td>122</td> <td>1/2</td> <td>2900</td> <td>1\"/&gt;  <tr> <td>U-42</td> <td>"</td> <td>"</td> <td>V-675</td> <td>122</td> <td>1/2</td> <td>2900</td> <td>1\"/&gt;  <tr> <td>U-43</td> <td>"</td> <td>"</td> <td>V-675</td> <td>122</td> <td>1/2</td> <td>2900</td> <td>1\"/&gt;  <tr> <td>U-44</td> <td>"</td> <td>"</td> <td>V-675</td> <td>122</td> <td>1/2</td> <td>2900</td> <td>1\"/&gt;  <tr> <td>U-45</td> <td>"</td> <td>"</td> <td>V-675</td> <td>122</td> <td>1/2</td> <td>2900</td> <td>1\"/&gt;  <tr> <td>U-46</td> <td>"</td> <td>"</td> <td>V-675</td> <td>122</td> <td>1/2</td> <td>2900</td> <td>1\"/&gt;  <tr> <td>U-47</td> <td>"</td> <td>"</td> <td>V-675</td> <td>122</td> <td>1/2</td> <td>2900</td> <td>1\"/&gt;  <tr> <td>U-48</td> <td>"</td> <td>"</td> <td>V-675</td> <td>122</td> <td>1/2</td> <td>2900</td> <td>1\"/&gt;  <tr> <td>U-49</td> <td>"</td> <td>"</td> <td>V-675</td> <td>122</td> <td>1/2</td> <td>2900</td> <td>1\"/&gt;  <tr> <td>U-50</td> <td>"</td> <td>"</td> <td>V-675</td> <td>122</td> <td>1/2</td> <td>2900</td> <td>1\"/&gt;  </td></tr></td></tr></td></tr></td></tr></td></tr></td></tr></td></tr></td></tr></td></tr></td></tr></td></tr></td></tr></td></tr></td></tr></td></tr></td></tr></td></tr></td></tr></td></tr></td></tr></td></tr></td></tr></td></tr></td></tr></td></tr>   | U-26 | " | " | V-675  | 122 | 1/2 | 2900 | 1\"/> <tr> <td>U-27</td> <td>"</td> <td>"</td> <td>V-675</td> <td>122</td> <td>1/2</td> <td>2900</td> <td>1\"/&gt;  <tr> <td>U-28</td> <td>"</td> <td>"</td> <td>V-675</td> <td>122</td> <td>1/2</td> <td>2900</td> <td>1\"/&gt;  <tr> <td>U-29</td> <td>"</td> <td>"</td> <td>V-675</td> <td>122</td> <td>1/2</td> <td>2900</td> <td>1\"/&gt;  <tr> <td>U-30</td> <td>"</td> <td>"</td> <td>V-675</td> <td>122</td> <td>1/2</td> <td>2900</td> <td>1\"/&gt;  <tr> <td>U-31</td> <td>"</td> <td>"</td> <td>V-675</td> <td>122</td> <td>1/2</td> <td>2900</td> <td>1\"/&gt;  <tr> <td>U-32</td> <td>"</td> <td>"</td> <td>V-675</td> <td>122</td> <td>1/2</td> <td>2900</td> <td>1\"/&gt;  <tr> <td>U-33</td> <td>"</td> <td>"</td> <td>V-675</td> <td>122</td> <td>1/2</td> <td>2900</td> <td>1\"/&gt;  <tr> <td>U-34</td> <td>"</td> <td>"</td> <td>V-675</td> <td>122</td> <td>1/2</td> <td>2900</td> <td>1\"/&gt;  <tr> <td>U-35</td> <td>"</td> <td>"</td> <td>V-675</td> <td>122</td> <td>1/2</td> <td>2900</td> <td>1\"/&gt;  <tr> <td>U-36</td> <td>"</td> <td>"</td> <td>V-675</td> <td>122</td> <td>1/2</td> <td>2900</td> <td>1\"/&gt;  <tr> <td>U-37</td> <td>"</td> <td>"</td> <td>V-675</td> <td>122</td> <td>1/2</td> <td>2900</td> <td>1\"/&gt;  <tr> <td>U-38</td> <td>"</td> <td>"</td> <td>V-675</td> <td>122</td> <td>1/2</td> <td>2900</td> <td>1\"/&gt;  <tr> <td>U-39</td> <td>"</td> <td>"</td> <td>V-675</td> <td>122</td> <td>1/2</td> <td>2900</td> <td>1\"/&gt;  <tr> <td>U-40</td> <td>"</td> <td>"</td> <td>V-675</td> <td>122</td> <td>1/2</td> <td>2900</td> <td>1\"/&gt;  <tr> <td>U-41</td> <td>"</td> <td>"</td> <td>V-675</td> <td>122</td> <td>1/2</td> <td>2900</td> <td>1\"/&gt;  <tr> <td>U-42</td> <td>"</td> <td>"</td> <td>V-675</td> <td>122</td> <td>1/2</td> <td>2900</td> <td>1\"/&gt;  <tr> <td>U-43</td> <td>"</td> <td>"</td> <td>V-675</td> <td>122</td> <td>1/2</td> <td>2900</td> <td>1\"/&gt;  <tr> <td>U-44</td> <td>"</td> <td>"</td> <td>V-675</td> <td>122</td> <td>1/2</td> <td>2900</td> <td>1\"/&gt;  <tr> <td>U-45</td> <td>"</td> <td>"</td> <td>V-675</td> <td>122</td> <td>1/2</td> <td>2900</td> <td>1\"/&gt;  <tr> <td>U-46</td> <td>"</td> <td>"</td> <td>V-675</td> <td>122</td> <td>1/2</td> <td>2900</td> <td>1\"/&gt;  <tr> <td>U-47</td> <td>"</td> <td>"</td> <td>V-675</td> <td>122</td> <td>1/2</td> <td>2900</td> <td>1\"/&gt;  <tr> <td>U-48</td> <td>"</td> <td>"</td> <td>V-675</td> <td>122</td> <td>1/2</td> <td>2900</td> <td>1\"/&gt;  <tr> <td>U-49</td> <td>"</td> <td>"</td> <td>V-675</td> <td>122</td> <td>1/2</td> <td>2900</td> <td>1\"/&gt;  <tr> <td>U-50</td> <td>"</td> <td>"</td> <td>V-675</td> <td>122</td> <td>1/2</td> <td>2900</td> <td>1\"/&gt;  </td></tr></td></tr></td></tr></td></tr></td></tr></td></tr></td></tr></td></tr></td></tr></td></tr></td></tr></td></tr></td></tr></td></tr></td></tr></td></tr></td></tr></td></tr></td></tr></td></tr></td></tr></td></tr></td></tr></td></tr>   
   | U-27 | " | " | V-675 | 122 | 1/2 | 2900 | 1\"/> <tr> <td>U-28</td> <td>"</td> <td>"</td> <td>V-675</td> <td>122</td> <td>1/2</td> <td>2900</td> <td>1\"/&gt;  <tr> <td>U-29</td> <td>"</td> <td>"</td> <td>V-675</td> <td>122</td> <td>1/2</td> <td>2900</td> <td>1\"/&gt;  <tr> <td>U-30</td> <td>"</td> <td>"</td> <td>V-675</td> <td>122</td> <td>1/2</td> <td>2900</td> <td>1\"/&gt;  <tr> <td>U-31</td> <td>"</td> <td>"</td> <td>V-675</td> <td>122</td> <td>1/2</td> <td>2900</td> <td>1\"/&gt;  <tr> <td>U-32</td> <td>"</td> <td>"</td> <td>V-675</td> <td>122</td> <td>1/2</td> <td>2900</td> <td>1\"/&gt;  <tr> <td>U-33</td> <td>"</td> <td>"</td> <td>V-675</td> <td>122</td> <td>1/2</td> <td>2900</td> <td>1\"/&gt;  <tr> <td>U-34</td> <td>"</td> <td>"</td> <td>V-675</td> <td>122</td> <td>1/2</td> <td>2900</td> <td>1\"/&gt;  <tr> <td>U-35</td> <td>"</td> <td>"</td> <td>V-675</td> <td>122</td> <td>1/2</td> <td>2900</td> <td>1\"/&gt;  <tr> <td>U-36</td> <td>"</td> <td>"</td> <td>V-675</td> <td>122</td> <td>1/2</td> <td>2900</td> <td>1\"/&gt;  <tr> <td>U-37</td> <td>"</td> <td>"</td> <td>V-675</td> <td>122</td> <td>1/2</td> <td>2900</td> <td>1\"/&gt;  <tr> <td>U-38</td> <td>"</td> <td>"</td> <td>V-675</td> <td>122</td> <td>1/2</td> <td>2900</td> <td>1\"/&gt;  <tr> <td>U-39</td> <td>"</td> <td>"</td> <td>V-675</td> <td>122</td> <td>1/2</td> <td>2900</td> <td>1\"/&gt;  <tr> <td>U-40</td> <td>"</td> <td>"</td> <td>V-675</td> <td>122</td> <td>1/2</td> <td>2900</td> <td>1\"/&gt;  <tr> <td>U-41</td> <td>"</td> <td>"</td> <td>V-675</td> <td>122</td> <td>1/2</td> <td>2900</td> <td>1\"/&gt;  <tr> <td>U-42</td> <td>"</td> <td>"</td> <td>V-675</td> <td>122</td> <td>1/2</td> <td>2900</td> <td>1\"/&gt;  <tr> <td>U-43</td> <td>"</td> <td>"</td> <td>V-675</td> <td>122</td> <td>1/2</td> <td>2900</td> <td>1\"/&gt;  <tr> <td>U-44</td> <td>"</td> <td>"</td> <td>V-675</td> <td>122</td> <td>1/2</td> <td>2900</td> <td>1\"/&gt;  <tr> <td>U-45</td> <td>"</td> <td>"</td> <td>V-675</td> <td>122</td> <td>1/2</td> <td>2900</td> <td>1\"/&gt;  <tr> <td>U-46</td> <td>"</td> <td>"</td> <td>V-675</td> <td>122</td> <td>1/2</td> <td>2900</td> <td>1\"/&gt;  <tr> <td>U-47</td> <td>"</td> <td>"</td> <td>V-675</td> <td>122</td> <td>1/2</td> <td>2900</td> <td>1\"/&gt;  <tr> <td>U-48</td> <td>"</td> <td>"</td> <td>V-675</td> <td>122</td> <td>1/2</td> <td>2900</td> <td>1\"/&gt;  <tr> <td>U-49</td> <td>"</td> <td>"</td> <td>V-675</td> <td>122</td> <td>1/2</td> <td>2900</td> <td>1\"/&gt;  <tr> <td>U-50</td> <td>"</td> <td>"</td> <td>V-675</td> <td>122</td> <td>1/2</td> <td>2900</td> <td>1\"/&gt;  </td></tr></td></tr></td></tr></td></tr></td></tr></td></tr></td></tr></td></tr></td></tr></td></tr></td></tr></td></tr></td></tr></td></tr></td></tr></td></tr></td></tr></td></tr></td></tr></td></tr></td></tr></td></tr></td></tr>  | U-28 | " | " | V-675 | 122 | 1/2 | 2900 | 1\"/> <tr> <td>U-29</td> <td>"</td> <td>"</td> <td>V-675</td> <td>122</td> <td>1/2</td> <td>2900</td> <td>1\"/&gt;  <tr> <td>U-30</td> <td>"</td> <td>"</td> <td>V-675</td> <td>122</td> <td>1/2</td> <td>2900</td> <td>1\"/&gt;  <tr> <td>U-31</td> <td>"</td> <td>"</td> <td>V-675</td> <td>122</td> <td>1/2</td> <td>2900</td> <td>1\"/&gt;  <tr> <td>U-32</td> <td>"</td> <td>"</td> <td>V-675</td> <td>122</td> <td>1/2</td> <td>2900</td> <td>1\"/&gt;  <tr> <td>U-33</td> <td>"</td> <td>"</td> <td>V-675</td> <td>122</td> <td>1/2</td> <td>2900</td> <td>1\"/&gt;  <tr> <td>U-34</td> <td>"</td> <td>"</td> <td>V-675</td> <td>122</td> <td>1/2</td> <td>2900</td> <td>1\"/&gt;  <tr> <td>U-35</td> <td>"</td> <td>"</td> <td>V-675</td> <td>122</td> <td>1/2</td> <td>2900</td> <td>1\"/&gt;  <tr> <td>U-36</td> <td>"</td> <td>"</td> <td>V-675</td> <td>122</td> <td>1/2</td> <td>2900</td> <td>1\"/&gt;  <tr> <td>U-37</td> <td>"</td> <td>"</td> <td>V-675</td> <td>122</td> <td>1/2</td> <td>2900</td> <td>1\"/&gt;  <tr> <td>U-38</td> <td>"</td> <td>"</td> <td>V-675</td> <td>122</td> <td>1/2</td> <td>2900</td> <td>1\"/&gt;  <tr> <td>U-39</td> <td>"</td> <td>"</td> <td>V-675</td> <td>122</td> <td>1/2</td> <td>2900</td> <td>1\"/&gt;  <tr> <td>U-40</td> <td>"</td> <td>"</td> <td>V-675</td> <td>122</td> <td>1/2</td> <td>2900</td> <td>1\"/&gt;  <tr> <td>U-41</td> <td>"</td> <td>"</td> <td>V-675</td> <td>122</td> <td>1/2</td> <td>2900</td> <td>1\"/&gt;  <tr> <td>U-42</td> <td>"</td> <td>"</td> <td>V-675</td> <td>122</td> <td>1/2</td> <td>2900</td> <td>1\"/&gt;  <tr> <td>U-43</td> <td>"</td> <td>"</td> <td>V-675</td> <td>122</td> <td>1/2</td> <td>2900</td> <td>1\"/&gt;  <tr> <td>U-44</td> <td>"</td> <td>"</td> <td>V-675</td> <td>122</td> <td>1/2</td> <td>2900</td> <td>1\"/&gt;  <tr> <td>U-45</td> <td>"</td> <td>"</td> <td>V-675</td> <td>122</td> <td>1/2</td> <td>2900</td> <td>1\"/&gt;  <tr> <td>U-46</td> <td>"</td> <td>"</td> <td>V-675</td> <td>122</td> <td>1/2</td> <td>2900</td> <td>1\"/&gt;  <tr> <td>U-47</td> <td>"</td> <td>"</td> <td>V-675</td> <td>122</td> <td>1/2</td> <td>2900</td> <td>1\"/&gt;  <tr> <td>U-48</td> <td>"</td> <td>"</td> <td>V-675</td> <td>122</td> <td>1/2</td> <td>2900</td> <td>1\"/&gt;  <tr> <td>U-49</td> <td>"</td> <td>"</td> <td>V-675</td> <td>122</td> <td>1/2</td> <td>2900</td> <td>1\"/&gt;  <tr> <td>U-50</td> <td>"</td> <td>"</td> <td>V-675</td> <td>122</td> <td>1/2</td> <td>2900</td> <td>1\"/&gt; 
</td></tr></td></tr></td></tr></td></tr></td></tr></td></tr></td></tr></td></tr></td></tr></td></tr></td></tr></td></tr></td></tr></td></tr></td></tr></td></tr></td></tr></td></tr></td></tr></td></tr></td></tr></td></tr>   | U-29 | " | " | V-675 | 122 | 1/2 | 2900 | 1\"/> <tr> <td>U-30</td> <td>"</td> <td>"</td> <td>V-675</td> <td>122</td> <td>1/2</td> <td>2900</td> <td>1\"/&gt;  <tr> <td>U-31</td> <td>"</td> <td>"</td> <td>V-675</td> <td>122</td> <td>1/2</td> <td>2900</td> <td>1\"/&gt;  <tr> <td>U-32</td> <td>"</td> <td>"</td> <td>V-675</td> <td>122</td> <td>1/2</td> <td>2900</td> <td>1\"/&gt;  <tr> <td>U-33</td> <td>"</td> <td>"</td> <td>V-675</td> <td>122</td> <td>1/2</td> <td>2900</td> <td>1\"/&gt;  <tr> <td>U-34</td> <td>"</td> <td>"</td> <td>V-675</td> <td>122</td> <td>1/2</td> <td>2900</td> <td>1\"/&gt;  <tr> <td>U-35</td> <td>"</td> <td>"</td> <td>V-675</td> <td>122</td> <td>1/2</td> <td>2900</td> <td>1\"/&gt;  <tr> <td>U-36</td> <td>"</td> <td>"</td> <td>V-675</td> <td>122</td> <td>1/2</td> <td>2900</td> <td>1\"/&gt;  <tr> <td>U-37</td> <td>"</td> <td>"</td> <td>V-675</td> <td>122</td> <td>1/2</td> <td>2900</td> <td>1\"/&gt;  <tr> <td>U-38</td> <td>"</td> <td>"</td> <td>V-675</td> <td>122</td> <td>1/2</td> <td>2900</td> <td>1\"/&gt;  <tr> <td>U-39</td> <td>"</td> <td>"</td> <td>V-675</td> <td>122</td> <td>1/2</td> <td>2900</td> <td>1\"/&gt;  <tr> <td>U-40</td> <td>"</td> <td>"</td> <td>V-675</td> <td>122</td> <td>1/2</td> <td>2900</td> <td>1\"/&gt;  <tr> <td>U-41</td> <td>"</td> <td>"</td> <td>V-675</td> <td>122</td> <td>1/2</td> <td>2900</td> <td>1\"/&gt;  <tr> <td>U-42</td> <td>"</td> <td>"</td> <td>V-675</td> <td>122</td> <td>1/2</td> <td>2900</td> <td>1\"/&gt;  <tr> <td>U-43</td> <td>"</td> <td>"</td> <td>V-675</td> <td>122</td> <td>1/2</td> <td>2900</td> <td>1\"/&gt;  <tr> <td>U-44</td> <td>"</td> <td>"</td> <td>V-675</td> <td>122</td> <td>1/2</td> <td>2900</td> <td>1\"/&gt;  <tr> <td>U-45</td> <td>"</td> <td>"</td> <td>V-675</td> <td>122</td> <td>1/2</td> <td>2900</td> <td>1\"/&gt;  <tr> <td>U-46</td> <td>"</td> <td>"</td> <td>V-675</td> <td>122</td> <td>1/2</td> <td>2900</td> <td>1\"/&gt;  <tr> <td>U-47</td> <td>"</td> <td>"</td> <td>V-675</td> <td>122</td> <td>1/2</td> <td>2900</td> <td>1\"/&gt;  <tr> <td>U-48</td> <td>"</td> <td>"</td> <td>V-675</td> <td>122</td> <td>1/2</td> <td>2900</td> <td>1\"/&gt;  <tr> <td>U-49</td> <td>"</td> <td>"</td> <td>V-675</td> <td>122</td> <td>1/2</td> <td>2900</td> <td>1\"/&gt;  <tr> <td>U-50</td> <td>"</td> <td>"</td> <td>V-675</td> <td>122</td> <td>1/2</td> <td>2900</td> <td>1\"/&gt;  </td></tr></td></tr></td></tr></td></tr></td></tr></td></tr></td></tr></td></tr></td></tr></td></tr></td></tr></td></tr></td></tr></td></tr></td></tr></td></tr></td></tr></td></tr></td></tr></td></tr></td></tr>  | U-30 | " | " | V-675 | 122 | 1/2 | 2900 | 1\"/> <tr> <td>U-31</td> <td>"</td> <td>"</td> <td>V-675</td> <td>122</td> <td>1/2</td> <td>2900</td> <td>1\"/&gt;  <tr> <td>U-32</td> <td>"</td> <td>"</td> <td>V-675</td> <td>122</td> <td>1/2</td> <td>2900</td> <td>1\"/&gt;  <tr> <td>U-33</td> <td>"</td> <td>"</td> <td>V-675</td> <td>122</td> <td>1/2</td> <td>2900</td> <td>1\"/&gt;  <tr> <td>U-34</td> <td>"</td> <td>"</td> <td>V-675</td> <td>122</td> <td>1/2</td> <td>2900</td> <td>1\"/&gt;  <tr> <td>U-35</td> <td>"</td> <td>"</td> <td>V-675</td> <td>122</td> <td>1/2</td> <td>2900</td> <td>1\"/&gt;  <tr> <td>U-36</td> <td>"</td> <td>"</td> <td>V-675</td> <td>122</td> <td>1/2</td> <td>2900</td> <td>1\"/&gt;  <tr> <td>U-37</td> <td>"</td> <td>"</td> <td>V-675</td> <td>122</td> <td>1/2</td> <td>2900</td> <td>1\"/&gt;  <tr> <td>U-38</td> <td>"</td> <td>"</td> <td>V-675</td> <td>122</td> <td>1/2</td> <td>2900</td> <td>1\"/&gt;  <tr> <td>U-39</td> <td>"</td> <td>"</td> <td>V-675</td> <td>122</td> <td>1/2</td> <td>2900</td> <td>1\"/&gt;  <tr> <td>U-40</td> <td>"</td> <td>"</td> <td>V-675</td> <td>122</td> <td>1/2</td> <td>2900</td> <td>1\"/&gt;  <tr> <td>U-41</td> <td>"</td> <td>"</td> <td>V-675</td> <td>122</td> <td>1/2</td> <td>2900</td> <td>1\"/&gt;  <tr> <td>U-42</td> <td>"</td> <td>"</td> <td>V-675</td> <td>122</td> <td>1/2</td> <td>2900</td> <td>1\"/&gt;  <tr> <td>U-43</td> <td>"</td> <td>"</td> <td>V-675</td> <td>122</td> <td>1/2</td> <td>2900</td> <td>1\"/&gt;  <tr> <td>U-44</td> <td>"</td> <td>"</td> <td>V-675</td> <td>122</td> <td>1/2</td> <td>2900</td> <td>1\"/&gt;  <tr> <td>U-45</td> <td>"</td> <td>"</td> <td>V-675</td> <td>122</td> <td>1/2</td> <td>2900</td>
<td>1\"/&gt;  <tr> <td>U-46</td> <td>"</td> <td>"</td> <td>V-675</td> <td>122</td> <td>1/2</td> <td>2900</td> <td>1\"/&gt;  <tr> <td>U-47</td> <td>"</td> <td>"</td> <td>V-675</td> <td>122</td> <td>1/2</td> <td>2900</td> <td>1\"/&gt;  <tr> <td>U-48</td> <td>"</td> <td>"</td> <td>V-675</td> <td>122</td> <td>1/2</td> <td>2900</td> <td>1\"/&gt;  <tr> <td>U-49</td> <td>"</td> <td>"</td> <td>V-675</td> <td>122</td> <td>1/2</td> <td>2900</td> <td>1\"/&gt;  <tr> <td>U-50</td> <td>"</td> <td>"</td> <td>V-675</td> <td>122</td> <td>1/2</td> <td>2900</td> <td>1\"/&gt;  </td></tr></td></tr></td></tr></td></tr></td></tr></td></tr></td></tr></td></tr></td></tr></td></tr></td></tr></td></tr></td></tr></td></tr></td></tr></td></tr></td></tr></td></tr></td></tr></td></tr>   | U-31 | " | " | V-675 | 122 | 1/2 | 2900 | 1\"/> <tr> <td>U-32</td> <td>"</td> <td>"</td> <td>V-675</td> <td>122</td> <td>1/2</td> <td>2900</td> <td>1\"/&gt;  <tr> <td>U-33</td> <td>"</td> <td>"</td> <td>V-675</td> <td>122</td> <td>1/2</td> <td>2900</td> <td>1\"/&gt;  <tr> <td>U-34</td> <td>"</td> <td>"</td> <td>V-675</td> <td>122</td> <td>1/2</td> <td>2900</td> <td>1\"/&gt;  <tr> <td>U-35</td> <td>"</td> <td>"</td> <td>V-675</td> <td>122</td> <td>1/2</td> <td>2900</td> <td>1\"/&gt;  <tr> <td>U-36</td> <td>"</td> <td>"</td> <td>V-675</td> <td>122</td> <td>1/2</td> <td>2900</td> <td>1\"/&gt;  <tr> <td>U-37</td> <td>"</td> <td>"</td> <td>V-675</td> <td>122</td> <td>1/2</td> <td>2900</td> <td>1\"/&gt;  <tr> <td>U-38</td> <td>"</td> <td>"</td> <td>V-675</td> <td>122</td> <td>1/2</td> <td>2900</td> <td>1\"/&gt;  <tr> <td>U-39</td> <td>"</td> <td>"</td> <td>V-675</td> <td>122</td> <td>1/2</td> <td>2900</td> <td>1\"/&gt;  <tr> <td>U-40</td> <td>"</td> <td>"</td> <td>V-675</td> <td>122</td> <td>1/2</td> <td>2900</td> <td>1\"/&gt;  <tr> <td>U-41</td> <td>"</td> <td>"</td> <td>V-675</td> <td>122</td> <td>1/2</td> <td>2900</td> <td>1\"/&gt;  <tr> <td>U-42</td> <td>"</td> <td>"</td> <td>V-675</td> <td>122</td> <td>1/2</td> <td>2900</td> <td>1\"/&gt;  <tr> <td>U-43</td> <td>"</td> <td>"</td> <td>V-675</td> <td>122</td> <td>1/2</td> <td>2900</td> <td>1\"/&gt;  <tr> <td>U-44</td> <td>"</td> <td>"</td> <td>V-675</td> <td>122</td> <td>1/2</td> <td>2900</td> <td>1\"/&gt;  <tr> <td>U-45</td> <td>"</td> <td>"</td> <td>V-675</td> <td>122</td> <td>1/2</td> <td>2900</td> <td>1\"/&gt;  <tr> <td>U-46</td> <td>"</td> <td>"</td> <td>V-675</td> <td>122</td> <td>1/2</td> <td>2900</td> <td>1\"/&gt;  <tr> <td>U-47</td> <td>"</td> <td>"</td> <td>V-675</td> <td>122</td> <td>1/2</td> <td>2900</td> <td>1\"/&gt;  <tr> <td>U-48</td> <td>"</td> <td>"</td> <td>V-675</td> <td>122</td> <td>1/2</td> <td>2900</td> <td>1\"/&gt;  <tr> <td>U-49</td> <td>"</td> <td>"</td> <td>V-675</td> <td>122</td> <td>1/2</td> <td>2900</td> <td>1\"/&gt;  <tr> <td>U-50</td> <td>"</td> <td>"</td> <td>V-675</td> <td>122</td> <td>1/2</td> <td>2900</td> <td>1\"/&gt;  </td></tr></td></tr></td></tr></td></tr></td></tr></td></tr></td></tr></td></tr></td></tr></td></tr></td></tr></td></tr></td></tr></td></tr></td></tr></td></tr></td></tr></td></tr></td></tr>  | U-32 | " | " | V-675 | 122 | 1/2 | 2900 | 1\"/> <tr> <td>U-33</td> <td>"</td> <td>"</td> <td>V-675</td> <td>122</td> <td>1/2</td> <td>2900</td> <td>1\"/&gt;  <tr> <td>U-34</td> <td>"</td> <td>"</td> <td>V-675</td> <td>122</td> <td>1/2</td> <td>2900</td> <td>1\"/&gt;  <tr> <td>U-35</td> <td>"</td> <td>"</td> <td>V-675</td> <td>122</td> <td>1/2</td> <td>2900</td> <td>1\"/&gt;  <tr> <td>U-36</td> <td>"</td> <td>"</td> <td>V-675</td> <td>122</td> <td>1/2</td> <td>2900</td> <td>1\"/&gt;  <tr> <td>U-37</td> <td>"</td> <td>"</td> <td>V-675</td> <td>122</td> <td>1/2</td> <td>2900</td> <td>1\"/&gt;  <tr> <td>U-38</td> <td>"</td> <td>"</td> <td>V-675</td> <td>122</td> <td>1/2</td> <td>2900</td> <td>1\"/&gt;  <tr> <td>U-39</td> <td>"</td> <td>"</td> <td>V-675</td> <td>122</td> <td>1/2</td> <td>2900</td> <td>1\"/&gt;  <tr> <td>U-40</td> <td>"</td> <td>"</td> <td>V-675</td> <td>122</td> <td>1/2</td> <td>2900</td> <td>1\"/&gt;  <tr> <td>U-41</td> <td>"</td> <td>"</td> <td>V-675</td> <td>122</td> <td>1/2</td> <td>2900</td> <td>1\"/&gt;  <tr> <td>U-42</td> <td>"</td> <td>"</td> <td>V-675</td> <td>122</td> <td>1/2</td> <td>2900</td> <td>1\"/&gt;  <tr> <td>U-43</td> <td>"</td> <td>"</td> <td>V-675</td> <td>122</td> <td>1/2</td> <td>2900</td> <td>1\"/&gt;  <tr> <td>U-44</td> <td>"</td> <td>"</td> <td>V-675</td> <td>122</td> <td>1/2</td> <td>2900</td> <td>1\"/&gt;  <tr>
<td>U-45</td> <td>"</td> <td>"</td> <td>V-675</td> <td>122</td> <td>1/2</td> <td>2900</td> <td>1\"/&gt;  <tr> <td>U-46</td> <td>"</td> <td>"</td> <td>V-675</td> <td>122</td> <td>1/2</td> <td>2900</td> <td>1\"/&gt;  <tr> <td>U-47</td> <td>"</td> <td>"</td> <td>V-675</td> <td>122</td> <td>1/2</td> <td>2900</td> <td>1\"/&gt;  <tr> <td>U-48</td> <td>"</td> <td>"</td> <td>V-675</td> <td>122</td> <td>1/2</td> <td>2900</td> <td>1\"/&gt;  <tr> <td>U-49</td> <td>"</td> <td>"</td> <td>V-675</td> <td>122</td> <td>1/2</td> <td>2900</td> <td>1\"/&gt;  <tr> <td>U-50</td> <td>"</td> <td>"</td> <td>V-675</td> <td>122</td> <td>1/2</td> <td>2900</td> <td>1\"/&gt;  </td></tr></td></tr></td></tr></td></tr></td></tr></td></tr></td></tr></td></tr></td></tr></td></tr></td></tr></td></tr></td></tr></td></tr></td></tr></td></tr></td></tr></td></tr>   | U-33 | " | " | V-675 | 122 | 1/2 | 2900 | 1\"/> <tr> <td>U-34</td> <td>"</td> <td>"</td> <td>V-675</td> <td>122</td> <td>1/2</td> <td>2900</td> <td>1\"/&gt;  <tr> <td>U-35</td> <td>"</td> <td>"</td> <td>V-675</td> <td>122</td> <td>1/2</td> <td>2900</td> <td>1\"/&gt;  <tr> <td>U-36</td> <td>"</td> <td>"</td> <td>V-675</td> <td>122</td> <td>1/2</td> <td>2900</td> <td>1\"/&gt;  <tr> <td>U-37</td> <td>"</td> <td>"</td> <td>V-675</td> <td>122</td> <td>1/2</td> <td>2900</td> <td>1\"/&gt;  <tr> <td>U-38</td> <td>"</td> <td>"</td> <td>V-675</td> <td>122</td> <td>1/2</td> <td>2900</td> <td>1\"/&gt;  <tr> <td>U-39</td> <td>"</td> <td>"</td> <td>V-675</td> <td>122</td> <td>1/2</td> <td>2900</td> <td>1\"/&gt;  <tr> <td>U-40</td> <td>"</td> <td>"</td> <td>V-675</td> <td>122</td> <td>1/2</td> <td>2900</td> <td>1\"/&gt;  <tr> <td>U-41</td> <td>"</td> <td>"</td> <td>V-675</td> <td>122</td> <td>1/2</td> <td>2900</td> <td>1\"/&gt;  <tr> <td>U-42</td> <td>"</td> <td>"</td> <td>V-675</td> <td>122</td> <td>1/2</td> <td>2900</td> <td>1\"/&gt;  <tr> <td>U-43</td> <td>"</td> <td>"</td> <td>V-675</td> <td>122</td> <td>1/2</td> <td>2900</td> <td>1\"/&gt;  <tr> <td>U-44</td> <td>"</td> <td>"</td> <td>V-675</td> <td>122</td> <td>1/2</td> <td>2900</td> <td>1\"/&gt;  <tr> <td>U-45</td> <td>"</td> <td>"</td> <td>V-675</td> <td>122</td> <td>1/2</td> <td>2900</td> <td>1\"/&gt;  <tr> <td>U-46</td> <td>"</td> <td>"</td> <td>V-675</td> <td>122</td> <td>1/2</td> <td>2900</td> <td>1\"/&gt;  <tr> <td>U-47</td> <td>"</td> <td>"</td> <td>V-675</td> <td>122</td> <td>1/2</td> <td>2900</td> <td>1\"/&gt;  <tr> <td>U-48</td> <td>"</td> <td>"</td> <td>V-675</td> <td>122</td> <td>1/2</td> <td>2900</td> <td>1\"/&gt;  <tr> <td>U-49</td> <td>"</td> <td>"</td> <td>V-675</td> <td>122</td> <td>1/2</td> <td>2900</td> <td>1\"/&gt;  <tr> <td>U-50</td> <td>"</td> <td>"</td> <td>V-675</td> <td>122</td> <td>1/2</td> <td>2900</td> <td>1\"/&gt;  </td></tr></td></tr></td></tr></td></tr></td></tr></td></tr></td></tr></td></tr></td></tr></td></tr></td></tr></td></tr></td></tr></td></tr></td></tr></td></tr></td></tr>   | U-34 | " | " | V-675 | 122 | 1/2 | 2900 | 1\"/> <tr> <td>U-35</td> <td>"</td> <td>"</td> <td>V-675</td> <td>122</td> <td>1/2</td> <td>2900</td> <td>1\"/&gt;  <tr> <td>U-36</td> <td>"</td> <td>"</td> <td>V-675</td> <td>122</td> <td>1/2</td> <td>2900</td> <td>1\"/&gt;  <tr> <td>U-37</td> <td>"</td> <td>"</td> <td>V-675</td> <td>122</td> <td>1/2</td> <td>2900</td> <td>1\"/&gt;  <tr> <td>U-38</td> <td>"</td> <td>"</td> <td>V-675</td> <td>122</td> <td>1/2</td> <td>2900</td> <td>1\"/&gt;  <tr> <td>U-39</td> <td>"</td> <td>"</td> <td>V-675</td> <td>122</td> <td>1/2</td> <td>2900</td> <td>1\"/&gt;  <tr> <td>U-40</td> <td>"</td> <td>"</td> <td>V-675</td> <td>122</td> <td>1/2</td> <td>2900</td> <td>1\"/&gt;  <tr> <td>U-41</td> <td>"</td> <td>"</td> <td>V-675</td> <td>122</td> <td>1/2</td> <td>2900</td> <td>1\"/&gt;  <tr> <td>U-42</td> <td>"</td> <td>"</td> <td>V-675</td> <td>122</td> <td>1/2</td> <td>2900</td> <td>1\"/&gt;  <tr> <td>U-43</td> <td>"</td> <td>"</td> <td>V-675</td> <td>122</td> <td>1/2</td> <td>2900</td> <td>1\"/&gt;  <tr> <td>U-44</td> <td>"</td> <td>"</td> <td>V-675</td> <td>122</td> <td>1/2</td> <td>2900</td> <td>1\"/&gt;  <tr> <td>U-45</td> <td>"</td> <td>"</td> <td>V-675</td> <td>122</td> <td>1/2</td> <td>2900</td> <td>1\"/&gt;  <tr> <td>U-46</td> <td>"</td> <td>"</td> <td>V-675</td> <td>122</td> <td>1/2</td> <td>2900</td> <td>1\"/&gt;  <tr> <td>U-47</td> <td>"</td> <td>"</td> <td>V-675</td> <td>122</td> <td>1/2</td> <td>2900</td> <td>1\"/&gt;  <tr> <td>U-48</td> <td>"</td> <td>"</td> <td>V-675</td> <td>122</td>
<td>1/2</td> <td>2900</td> <td>1\"/&gt;  <tr> <td>U-49</td> <td>"</td> <td>"</td> <td>V-675</td> <td>122</td> <td>1/2</td> <td>2900</td> <td>1\"/&gt;  <tr> <td>U-50</td> <td>"</td> <td>"</td> <td>V-675</td> <td>122</td> <td>1/2</td> <td>2900</td> <td>1\"/&gt;  </td></tr></td></tr></td></tr></td></tr></td></tr></td></tr></td></tr></td></tr></td></tr></td></tr></td></tr></td></tr></td></tr></td></tr></td></tr></td></tr>   | U-35 | " | " | V-675 | 122 | 1/2 | 2900 | 1\"/> <tr> <td>U-36</td> <td>"</td> <td>"</td> <td>V-675</td> <td>122</td> <td>1/2</td> <td>2900</td> <td>1\"/&gt;  <tr> <td>U-37</td> <td>"</td> <td>"</td> <td>V-675</td> <td>122</td> <td>1/2</td> <td>2900</td> <td>1\"/&gt;  <tr> <td>U-38</td> <td>"</td> <td>"</td> <td>V-675</td> <td>122</td> <td>1/2</td> <td>2900</td> <td>1\"/&gt;  <tr> <td>U-39</td> <td>"</td> <td>"</td> <td>V-675</td> <td>122</td> <td>1/2</td> <td>2900</td> <td>1\"/&gt;  <tr> <td>U-40</td> <td>"</td> <td>"</td> <td>V-675</td> <td>122</td> <td>1/2</td> <td>2900</td> <td>1\"/&gt;  <tr> <td>U-41</td> <td>"</td> <td>"</td> <td>V-675</td> <td>122</td> <td>1/2</td> <td>2900</td> <td>1\"/&gt;  <tr> <td>U-42</td> <td>"</td> <td>"</td> <td>V-675</td> <td>122</td> <td>1/2</td> <td>2900</td> <td>1\"/&gt;  <tr> <td>U-43</td> <td>"</td> <td>"</td> <td>V-675</td> <td>122</td> <td>1/2</td> <td>2900</td> <td>1\"/&gt;  <tr> <td>U-44</td> <td>"</td> <td>"</td> <td>V-675</td> <td>122</td> <td>1/2</td> <td>2900</td> <td>1\"/&gt;  <tr> <td>U-45</td> <td>"</td> <td>"</td> <td>V-675</td> <td>122</td> <td>1/2</td> <td>2900</td> <td>1\"/&gt;  <tr> <td>U-46</td> <td>"</td> <td>"</td> <td>V-675</td> <td>122</td> <td>1/2</td> <td>2900</td> <td>1\"/&gt;  <tr> <td>U-47</td> <td>"</td> <td>"</td> <td>V-675</td> <td>122</td> <td>1/2</td> <td>2900</td> <td>1\"/&gt;  <tr> <td>U-48</td> <td>"</td> <td>"</td> <td>V-675</td> <td>122</td> <td>1/2</td> <td>2900</td> <td>1\"/&gt;  <tr> <td>U-49</td> <td>"</td> <td>"</td> <td>V-675</td> <td>122</td> <td>1/2</td> <td>2900</td> <td>1\"/&gt;  <tr> <td>U-50</td> <td>"</td> <td>"</td> <td>V-675</td> <td>122</td> <td>1/2</td> <td>2900</td> <td>1\"/&gt;  </td></tr></td></tr></td></tr></td></tr></td></tr></td></tr></td></tr></td></tr></td></tr></td></tr></td></tr></td></tr></td></tr></td></tr></td></tr>   | U-36 | " | " | V-675 | 122 | 1/2 | 2900 | 1\"/> <tr> <td>U-37</td> <td>"</td> <td>"</td> <td>V-675</td> <td>122</td> <td>1/2</td> <td>2900</td> <td>1\"/&gt;  <tr> <td>U-38</td> <td>"</td> <td>"</td> <td>V-675</td> <td>122</td> <td>1/2</td> <td>2900</td> <td>1\"/&gt;  <tr> <td>U-39</td> <td>"</td> <td>"</td> <td>V-675</td> <td>122</td> <td>1/2</td> <td>2900</td> <td>1\"/&gt;  <tr> <td>U-40</td> <td>"</td> <td>"</td> <td>V-675</td> <td>122</td> <td>1/2</td> <td>2900</td> <td>1\"/&gt;  <tr> <td>U-41</td> <td>"</td> <td>"</td> <td>V-675</td> <td>122</td> <td>1/2</td> <td>2900</td> <td>1\"/&gt;  <tr> <td>U-42</td> <td>"</td> <td>"</td> <td>V-675</td> <td>122</td> <td>1/2</td> <td>2900</td> <td>1\"/&gt;  <tr> <td>U-43</td> <td>"</td> <td>"</td> <td>V-675</td> <td>122</td> <td>1/2</td> <td>2900</td> <td>1\"/&gt;  <tr> <td>U-44</td> <td>"</td> <td>"</td> <td>V-675</td> <td>122</td> <td>1/2</td> <td>2900</td> <td>1\"/&gt;  <tr> <td>U-45</td> <td>"</td> <td>"</td> <td>V-675</td> <td>122</td> <td>1/2</td> <td>2900</td> <td>1\"/&gt;  <tr> <td>U-46</td> <td>"</td> <td>"</td> <td>V-675</td> <td>122</td> <td>1/2</td> <td>2900</td> <td>1\"/&gt;  <tr> <td>U-47</td> <td>"</td> <td>"</td> <td>V-675</td> <td>122</td> <td>1/2</td> <td>2900</td> <td>1\"/&gt;  <tr> <td>U-48</td> <td>"</td> <td>"</td> <td>V-675</td> <td>122</td> <td>1/2</td> <td>2900</td> <td>1\"/&gt;  <tr> <td>U-49</td> <td>"</td> <td>"</td> <td>V-675</td> <td>122</td> <td>1/2</td> <td>2900</td> <td>1\"/&gt;  <tr> <td>U-50</td> <td>"</td> <td>"</td> <td>V-675</td> <td>122</td> <td>1/2</td> <td>2900</td> <td>1\"/&gt;  </td></tr></td></tr></td></tr></td></tr></td></tr></td></tr></td></tr></td></tr></td></tr></td></tr></td></tr></td></tr></td></tr></td></tr>  
  | U-37 | " | " | V-675 | 122 | 1/2 | 2900 | 1\"/> <tr> <td>U-38</td> <td>"</td> <td>"</td> <td>V-675</td> <td>122</td> <td>1/2</td> <td>2900</td> <td>1\"/&gt;  <tr> <td>U-39</td> <td>"</td> <td>"</td> <td>V-675</td> <td>122</td> <td>1/2</td> <td>2900</td> <td>1\"/&gt;  <tr> <td>U-40</td> <td>"</td> <td>"</td> <td>V-675</td> <td>122</td> <td>1/2</td> <td>2900</td> <td>1\"/&gt;  <tr> <td>U-41</td> <td>"</td> <td>"</td> <td>V-675</td> <td>122</td> <td>1/2</td> <td>2900</td> <td>1\"/&gt;  <tr> <td>U-42</td> <td>"</td> <td>"</td> <td>V-675</td> <td>122</td> <td>1/2</td> <td>2900</td> <td>1\"/&gt;  <tr> <td>U-43</td> <td>"</td> <td>"</td> <td>V-675</td> <td>122</td> <td>1/2</td> <td>2900</td> <td>1\"/&gt;  <tr> <td>U-44</td> <td>"</td> <td>"</td> <td>V-675</td> <td>122</td> <td>1/2</td> <td>2900</td> <td>1\"/&gt;  <tr> <td>U-45</td> <td>"</td> <td>"</td> <td>V-675</td> <td>122</td> <td>1/2</td> <td>2900</td> <td>1\"/&gt;  <tr> <td>U-46</td> <td>"</td> <td>"</td> <td>V-675</td> <td>122</td> <td>1/2</td> <td>2900</td> <td>1\"/&gt;  <tr> <td>U-47</td> <td>"</td> <td>"</td> <td>V-675</td> <td>122</td> <td>1/2</td> <td>2900</td> <td>1\"/&gt;  <tr> <td>U-48</td> <td>"</td> <td>"</td> <td>V-675</td> <td>122</td> <td>1/2</td> <td>2900</td> <td>1\"/&gt;  <tr> <td>U-49</td> <td>"</td> <td>"</td> <td>V-675</td> <td>122</td> <td>1/2</td> <td>2900</td> <td>1\"/&gt;  <tr> <td>U-50</td> <td>"</td> <td>"</td> <td>V-675</td> <td>122</td> <td>1/2</td> <td>2900</td> <td>1\"/&gt;  </td></tr></td></tr></td></tr></td></tr></td></tr></td></tr></td></tr></td></tr></td></tr></td></tr></td></tr></td></tr></td></tr>   | U-38 | " | " | V-675 | 122 | 1/2 | 2900 | 1\"/> <tr> <td>U-39</td> <td>"</td> <td>"</td> <td>V-675</td> <td>122</td> <td>1/2</td> <td>2900</td> <td>1\"/&gt;  <tr> <td>U-40</td> <td>"</td> <td>"</td> <td>V-675</td> <td>122</td> <td>1/2</td> <td>2900</td> <td>1\"/&gt;  <tr> <td>U-41</td> <td>"</td> <td>"</td> <td>V-675</td> <td>122</td> <td>1/2</td> <td>2900</td> <td>1\"/&gt;  <tr> <td>U-42</td> <td>"</td> <td>"</td> <td>V-675</td> <td>122</td> <td>1/2</td> <td>2900</td> <td>1\"/&gt;  <tr> <td>U-43</td> <td>"</td> <td>"</td> <td>V-675</td> <td>122</td> <td>1/2</td> <td>2900</td> <td>1\"/&gt;  <tr> <td>U-44</td> <td>"</td> <td>"</td> <td>V-675</td> <td>122</td> <td>1/2</td> <td>2900</td> <td>1\"/&gt;  <tr> <td>U-45</td> <td>"</td> <td>"</td> <td>V-675</td> <td>122</td> <td>1/2</td> <td>2900</td> <td>1\"/&gt;  <tr> <td>U-46</td> <td>"</td> <td>"</td> <td>V-675</td> <td>122</td> <td>1/2</td> <td>2900</td> <td>1\"/&gt;  <tr> <td>U-47</td> <td>"</td> <td>"</td> <td>V-675</td> <td>122</td> <td>1/2</td> <td>2900</td> <td>1\"/&gt;  <tr> <td>U-48</td> <td>"</td> <td>"</td> <td>V-675</td> <td>122</td> <td>1/2</td> <td>2900</td> <td>1\"/&gt;  <tr> <td>U-49</td> <td>"</td> <td>"</td> <td>V-675</td> <td>122</td> <td>1/2</td> <td>2900</td> <td>1\"/&gt;  <tr> <td>U-50</td> <td>"</td> <td>"</td> <td>V-675</td> <td>122</td> <td>1/2</td> <td>2900</td> <td>1\"/&gt;  </td></tr></td></tr></td></tr></td></tr></td></tr></td></tr></td></tr></td></tr></td></tr></td></tr></td></tr></td></tr>  
  | U-39 | " | " | V-675 | 122 | 1/2 | 2900 | 1\"/> <tr> <td>U-40</td> <td>"</td> <td>"</td> <td>V-675</td> <td>122</td> <td>1/2</td> <td>2900</td> <td>1\"/&gt;  <tr> <td>U-41</td> <td>"</td> <td>"</td> <td>V-675</td> <td>122</td> <td>1/2</td> <td>2900</td> <td>1\"/&gt;  <tr> <td>U-42</td> <td>"</td> <td>"</td> <td>V-675</td> <td>122</td> <td>1/2</td> <td>2900</td> <td>1\"/&gt;  <tr> <td>U-43</td> <td>"</td> <td>"</td> <td>V-675</td> <td>122</td> <td>1/2</td> <td>2900</td> <td>1\"/&gt;  <tr> <td>U-44</td> <td>"</td> <td>"</td> <td>V-675</td> <td>122</td> <td>1/2</td> <td>2900</td> <td>1\"/&gt;  <tr> <td>U-45</td> <td>"</td> <td>"</td> <td>V-675</td> <td>122</td> <td>1/2</td> <td>2900</td> <td>1\"/&gt;  <tr> <td>U-46</td> <td>"</td> <td>"</td> <td>V-675</td> <td>122</td> <td>1/2</td> <td>2900</td> <td>1\"/&gt;  <tr> <td>U-47</td> <td>"</td> <td>"</td> <td>V-675</td> <td>122</td> <td>1/2</td> <td>2900</td> <td>1\"/&gt;  <tr> <td>U-48</td> <td>"</td> <td>"</td> <td>V-675</td> <td>122</td> <td>1/2</td> <td>2900</td> <td>1\"/&gt;  <tr> <td>U-49</td> <td>"</td> <td>"</td> <td>V-675</td> <td>122</td> <td>1/2</td> <td>2900</td> <td>1\"/&gt;  <tr> <td>U-50</td> <td>"</td> <td>"</td> <td>V-675</td> <td>122</td> <td>1/2</td> <td>2900</td> <td>1\"/&gt;  </td></tr></td></tr></td></tr></td></tr></td></tr></td></tr></td></tr></td></tr></td></tr></td></tr></td></tr>   | U-40 | " | " | V-675 | 122 | 1/2 | 2900 | 1\"/> <tr> <td>U-41</td> <td>"</td> <td>"</td> <td>V-675</td> <td>122</td> <td>1/2</td> <td>2900</td> <td>1\"/&gt;  <tr> <td>U-42</td> <td>"</td> <td>"</td> <td>V-675</td> <td>122</td> <td>1/2</td> <td>2900</td> <td>1\"/&gt;  <tr> <td>U-43</td> <td>"</td> <td>"</td> <td>V-675</td> <td>122</td> <td>1/2</td> <td>2900</td> <td>1\"/&gt;  <tr> <td>U-44</td> <td>"</td> <td>"</td> <td>V-675</td> <td>122</td> <td>1/2</td> <td>2900</td> <td>1\"/&gt;  <tr> <td>U-45</td> <td>"</td> <td>"</td> <td>V-675</td> <td>122</td> <td>1/2</td> <td>2900</td> <td>1\"/&gt;  <tr> <td>U-46</td> <td>"</td> <td>"</td> <td>V-675</td> <td>122</td> <td>1/2</td> <td>2900</td> <td>1\"/&gt;  <tr> <td>U-47</td> <td>"</td> <td>"</td> <td>V-675</td> <td>122</td> <td>1/2</td> <td>2900</td> <td>1\"/&gt;  <tr> <td>U-48</td> <td>"</td> <td>"</td> <td>V-675</td> <td>122</td> <td>1/2</td> <td>2900</td> <td>1\"/&gt;  <tr> <td>U-49</td> <td>"</td> <td>"</td> <td>V-675</td> <td>122</td> <td>1/2</td> <td>2900</td> <td>1\"/&gt;  <tr> <td>U-50</td> <td>"</td> <td>"</td> <td>V-675</td> <td>122</td> <td>1/2</td> <td>2900</td> <td>1\"/&gt;  </td></tr></td></tr></td></tr></td></tr></td></tr></td></tr></td></tr></td></tr></td></tr></td></tr>   | U-41 | " | " | V-675 | 122 | 1/2 | 2900 | 1\"/> <tr> <td>U-42</td> <td>"</td> <td>"</td> <td>V-675</td> <td>122</td> <td>1/2</td> <td>2900</td> <td>1\"/&gt;  <tr> <td>U-43</td> <td>"</td> <td>"</td> <td>V-675</td> <td>122</td> <td>1/2</td> <td>2900</td> <td>1\"/&gt;  <tr> <td>U-44</td> <td>"</td> <td>"</td> <td>V-675</td> <td>122</td> <td>1/2</td> <td>2900</td> <td>1\"/&gt;  <tr> <td>U-45</td> <td>"</td> <td>"</td> <td>V-675</td> <td>122</td> <td>1/2</td> <td>2900</td> <td>1\"/&gt;  <tr> <td>U-46</td> <td>"</td> <td>"</td> <td>V-675</td> <td>122</td> <td>1/2</td> <td>2900</td> <td>1\"/&gt;  <tr> <td>U-47</td> <td>"</td> <td>"</td> <td>V-675</td> <td>122</td> <td>1/2</td> <td>2900</td> <td>1\"/&gt;  <tr> <td>U-48</td> <td>"</td> <td>"</td> <td>V-675</td> <td>122</td> <td>1/2</td> <td>2900</td> <td>1\"/&gt;  <tr> <td>U-49</td> <td>"</td> <td>"</td> <td>V-675</td> <td>122</td> <td>1/2</td> <td>2900</td> <td>1\"/&gt;  <tr> <td>U-50</td>
<td>"</td> <td>"</td> <td>V-675</td> <td>122</td> <td>1/2</td> <td>2900</td> <td>1\"/&gt;  </td></tr></td></tr></td></tr></td></tr></td></tr></td></tr></td></tr></td></tr></td></tr>   | U-42 | " | " | V-675 | 122 | 1/2 | 2900 | 1\"/> <tr> <td>U-43</td> <td>"</td> <td>"</td> <td>V-675</td> <td>122</td> <td>1/2</td> <td>2900</td> <td>1\"/&gt;  <tr> <td>U-44</td> <td>"</td> <td>"</td> <td>V-675</td> <td>122</td> <td>1/2</td> <td>2900</td> <td>1\"/&gt;  <tr> <td>U-45</td> <td>"</td> <td>"</td> <td>V-675</td> <td>122</td> <td>1/2</td> <td>2900</td> <td>1\"/&gt;  <tr> <td>U-46</td> <td>"</td> <td>"</td> <td>V-675</td> <td>122</td> <td>1/2</td> <td>2900</td> <td>1\"/&gt;  <tr> <td>U-47</td> <td>"</td> <td>"</td> <td>V-675</td> <td>122</td> <td>1/2</td> <td>2900</td> <td>1\"/&gt;  <tr> <td>U-48</td> <td>"</td> <td>"</td> <td>V-675</td> <td>122</td> <td>1/2</td> <td>2900</td> <td>1\"/&gt;  <tr> <td>U-49</td> <td>"</td> <td>"</td> <td>V-675</td> <td>122</td> <td>1/2</td> <td>2900</td> <td>1\"/&gt;  <tr> <td>U-50</td> <td>"</td> <td>"</td> <td>V-675</td> <td>122</td> <td>1/2</td> <td>2900</td> <td>1\"/&gt;  </td></tr></td></tr></td></tr></td></tr></td></tr></td></tr></td></tr></td></tr>   | U-43 | " | " | V-675 | 122 | 1/2 | 2900 | 1\"/> <tr> <td>U-44</td> <td>"</td> <td>"</td> <td>V-675</td> <td>122</td> <td>1/2</td> <td>2900</td> <td>1\"/&gt;  <tr> <td>U-45</td> <td>"</td> <td>"</td> <td>V-675</td> <td>122</td> <td>1/2</td> <td>2900</td> <td>1\"/&gt;  <tr> <td>U-46</td> <td>"</td> <td>"</td> <td>V-675</td> <td>122</td> <td>1/2</td> <td>2900</td> <td>1\"/&gt;  <tr> <td>U-47</td> <td>"</td> <td>"</td> <td>V-675</td> <td>122</td> <td>1/2</td> <td>2900</td> <td>1\"/&gt;  <tr> <td>U-48</td> <td>"</td> <td>"</td> <td>V-675</td> <td>122</td> <td>1/2</td> <td>2900</td> <td>1\"/&gt;  <tr> <td>U-49</td> <td>"</td> <td>"</td> <td>V-675</td> <td>122</td> <td>1/2</td> <td>2900</td> <td>1\"/&gt;  <tr> <td>U-50</td> <td>"</td> <td>"</td> <td>V-675</td> <td>122</td> <td>1/2</td> <td>2900</td> <td>1\"/&gt;  </td></tr></td></tr></td></tr></td></tr></td></tr></td></tr></td></tr>  
  | U-44 | " | " | V-675 | 122 | 1/2 | 2900 | 1\"/> <tr> <td>U-45</td> <td>"</td> <td>"</td> <td>V-675</td> <td>122</td> <td>1/2</td> <td>2900</td> <td>1\"/&gt;  <tr> <td>U-46</td> <td>"</td> <td>"</td> <td>V-675</td> <td>122</td> <td>1/2</td> <td>2900</td> <td>1\"/&gt;  <tr> <td>U-47</td> <td>"</td> <td>"</td> <td>V-675</td> <td>122</td> <td>1/2</td> <td>2900</td> <td>1\"/&gt;  <tr> <td>U-48</td> <td>"</td> <td>"</td> <td>V-675</td> <td>122</td> <td>1/2</td> <td>2900</td> <td>1\"/&gt;  <tr> <td>U-49</td> <td>"</td> <td>"</td> <td>V-675</td> <td>122</td> <td>1/2</td> <td>2900</td> <td>1\"/&gt;  <tr> <td>U-50</td> <td>"</td> <td>"</td> <td>V-675</td> <td>122</td> <td>1/2</td> <td>2900</td> <td>1\"/&gt;  </td></tr></td></tr></td></tr></td></tr></td></tr></td></tr>   | U-45 | " | " | V-675 | 122 | 1/2 | 2900 | 1\"/> <tr> <td>U-46</td> <td>"</td> <td>"</td> <td>V-675</td> <td>122</td> <td>1/2</td> <td>2900</td> <td>1\"/&gt;  <tr> <td>U-47</td> <td>"</td> <td>"</td> <td>V-675</td> <td>122</td> <td>1/2</td> <td>2900</td> <td>1\"/&gt;  <tr> <td>U-48</td> <td>"</td> <td>"</td> <td>V-675</td> <td>122</td> <td>1/2</td> <td>2900</td> <td>1\"/&gt;  <tr> <td>U-49</td> <td>"</td> <td>"</td> <td>V-675</td> <td>122</td> <td>1/2</td> <td>2900</td> <td>1\"/&gt;  <tr> <td>U-50</td> <td>"</td> <td>"</td> <td>V-675</td> <td>122</td> <td>1/2</td> <td>2900</td> <td>1\"/&gt;  </td></tr></td></tr></td></tr></td></tr></td></tr>   | U-46 | " | " | V-675 | 122 | 1/2 | 2900 | 1\"/> <tr> <td>U-47</td> <td>"</td> <td>"</td> <td>V-675</td> <td>122</td> <td>1/2</td> <td>2900</td> <td>1\"/&gt;  <tr> <td>U-48</td> <td>"</td> <td>"</td> <td>V-675</td> <td>122</td> <td>1/2</td> <td>2900</td> <td>1\"/&gt;  <tr> <td>U-49</td> <td>"</td> <td>"</td> <td>V-675</td> <td>122</td> <td>1/2</td> <td>2900</td> <td>1\"/&gt;  <tr> <td>U-50</td> <td>"</td> <td>"</td> <td>V-675</td> <td>122</td> <td>1/2</td> <td>2900</td> <td>1\"/&gt;  </td></tr></td></tr></td></tr></td></tr>   
   | U-47 | " | " | V-675 | 122 | 1/2 | 2900 | 1\"/> <tr> <td>U-48</td> <td>"</td> <td>"</td> <td>V-675</td> <td>122</td> <td>1/2</td> <td>2900</td> <td>1\"/&gt;  <tr> <td>U-49</td> <td>"</td> <td>"</td> <td>V-675</td> <td>122</td> <td>1/2</td> <td>2900</td> <td>1\"/&gt;  <tr> <td>U-50</td> <td>"</td> <td>"</td> <td>V-675</td> <td>122</td> <td>1/2</td> <td>2900</td> <td>1\"/&gt;  </td></tr></td></tr></td></tr>   | U-48 | " | " | V-675 | 122 | 1/2 | 2900 | 1\"/> <tr> <td>U-49</td> <td>"</td> <td>"</td> <td>V-675</td> <td>122</td> <td>1/2</td> <td>2900</td> <td>1\"/&gt;  <tr> <td>U-50</td> <td>"</td> <td>"</td> <td>V-675</td> <td>122</td> <td>1/2</td> <td>2900</td> <td>1\"/&gt;  </td></tr></td></tr>   | U-49 | " | " | V-675 | 122 | 1/2 | 2900 | 1\"/> <tr> <td>U-50</td> <td>"</td> <td>"</td> <td>V-675</td> <td>122</td> <td>1/2</td> <td>2900</td> <td>1\"/&gt;  </td></tr>   | U-50 | " | " | V-675 | 122 | 1/2 | 2900 | 1\"/>  
   |      |   |   |       |     |     |      |  |      |   |   |       |     |     |      |  |      |   |   |       |     |     |      | | | | | | | | | | | | | | | | | | | | | | | | | | | | | | | | | | | | | | | | | |
  |      |   |   |       |     |     |      |  |      |   |   |       |     |     |      |  |      |   |   |       |     |     |      |  |      |   |   |       |     |     |      |  |      |   |   |       |     |     |      |  
   |      |   |   |       |     |     |      |  |      |   |   |       |     |     |      |  |      |   |   |       |     |     |      |  |      |   |   |       |     |     |      |  |      |   |   |       |     |     |      |  |      |   |   |       |     |     |      |  |      |   |   |       |     |     |      |   
  |      |   |   |       |     |     |      |  |      |   |   |       |     |     |      |  |      |   |   |       |     |     |      |  |      |   |   |       |     |     |      |  |      |   |   |       |     |     |      |  |      |   |   |       |     |     |      |  |      |   |   |       |     |     |      |  |      |   |   |       |     |     |      |       |
| U-19 | "             | "                       | V-675    | 122  | 1/2           | 2900    | 1\"/> <tr> <td>U-20</td> <td>"</td> <td>"</td> <td>V-675</td> <td>122</td> <td>1/2</td> <td>2900</td> <td>1\"/&gt;  <tr> <td>U-21</td> <td>"</td> <td>"</td> <td>V-675</td> <td>122</td> <td>1/2</td> <td>2900</td> <td>1\"/&gt;  <tr> <td>U-22</td> <td>"</td> <td>"</td> <td>V-675</td> <td>122</td> <td>1/2</td> <td>2900</td> <td>1\"/&gt;  <tr> <td>U-23</td> <td>"</td> <td>"</td> <td>V-675</td> <td>122</td> <td>1/2</td> <td>2900</td> <td>1\"/&gt;  <tr> <td>U-24</td> <td>"</td> <td>"</td> <td>V-675</td> <td>122</td> <td>1/2</td> <td>2900</td> <td>1\"/&gt;  <tr> <td>U-25</td> <td>"</td> <td>"</td> <td>V-675</td> <td>122</td> <td>1/2</td> <td>2900</td> <td>1\"/&gt;  <tr> <td>U-26</td> <td>"</td> <td>"</td> <td>V-675</td> <td>122</td> <td>1/2</td> <td>2900</td> <td>1\"/&gt;  <tr> <td>U-27</td> <td>"</td> <td>"</td> <td>V-675</td> <td>122</td> <td>1/2</td> <td>2900</td> <td>1\"/&gt;  <tr> <td>U-28</td> <td>"</td> <td>"</td> <td>V-675</td> <td>122</td> <td>1/2</td> <td>2900</td> <td>1\"/&gt;  <tr> <td>U-29</td> <td>"</td> <td>"</td> <td>V-675</td> <td>122</td> <td>1/2</td> <td>2900</td> <td>1\"/&gt;  <tr> <td>U-30</td> <td>"</td> <td>"</td> <td>V-675</td> <td>122</td> <td>1/2</td> <td>2900</td> <td>1\"/&gt;  <tr> <td>U-31</td> <td>"</td> <td>"</td> <td>V-675</td> <td>122</td> <td>1/2</td> <td>2900</td> <td>1\"/&gt;  <tr> <td>U-32</td> <td>"</td> <td>"</td> <td>V-675</td> <td>122</td> <td>1/2</td> <td>2900</td> <td>1\"/&gt;  <tr> <td>U-33</td> <td>"</td> <td>"</td> <td>V-675</td> <td>122</td> <td>1/2</td> <td>2900</td> <td>1\"/&gt;  <tr> <td>U-34</td> <td>"</td> <td>"</td> <td>V-675</td> <td>122</td> <td>1/2</td> <td>2900</td> <td>1\"/&gt;  <tr> <td>U-35</td> <td>"</td> <td>"</td> <td>V-675</td> <td>122</td> <td>1/2</td> <td>2900</td> <td>1\"/&gt;  <tr> <td>U-36</td> <td>"</td> <td>"</td> <td>V-675</td> <td>122</td> <td>1/2</td> <td>2900</td> <td>1\"/&gt;  <tr> <td>U-37</td> <td>"</td> <td>"</td> <td>V-675</td> <td>122</td> <td>1/2</td> <td>2900</td> <td>1\"/&gt;  <tr> <td>U-38</td> <td>"</td> <td>"</td> <td>V-675</td> <td>122</td> <td>1/2</td> <td>2900</td> <td>1\"/&gt;  <tr> <td>U-39</td> <td>"</td> <td>"</td> <td>V-675</td> <td>122</td> <td>1/2</td> <td>2900</td> <td>1\"/&gt;  <tr> <td>U-40</td> <td>"</td> <td>"</td> <td>V-675</td> <td>122</td> <td>1/2</td> <td>2900</td> <td>1\"/&gt;  <tr> <td>U-41</td> <td>"</td> <td>"</td> <td>V-675</td> <td>122</td> <td>1/2</td> <td>2900</td> <td>1\"/&gt;  <tr> <td>U-42</td> <td>"</td> <td>"</td> <td>V-675</td> <td>122</td> <td>1/2</td> <td>2900</td> <td>1\"/&gt;  <tr> <td>U-43</td> <td>"</td> <td>"</td> <td>V-675</td> <td>122</td> <td>1/2</td> <td>2900</td> <td>1\"/&gt;  <tr> <td>U-44</td> <td>"</td> <td>"</td> <td>V-675</td> <td>122</td> <td>1/2</td> <td>2900</td> <td>1\"/&gt;  <tr> <td>U-45</td> <td>"</td> <td>"</td> <td>V-675</td> <td>122</td> <td>1/2</td> <td>2900</td> <td>1\"/&gt;  <tr> <td>U-46</td> <td>"</td> <td>"</td> <td>V-675</td> <td>122</td> <td>1/2</td> <td>2900</td> <td>1\"/&gt;  <tr> <td>U-47</td> <td>"</td> <td>"</td> <td>V-675</td> <td>122</td> <td>1/2</td> <td>2900</td> <td>1\"/&gt;  <tr> <td>U-48</td> <td>"</td> <td>"</td> <td>V-675</td> <td>122</td> <td>1/2</td> <td>2900</td> <td>1\"/&gt;  <tr> <td>U-49</td> <td>"</td> <td>"</td> <td>V-675</td> <td>122</td> <td>1/2</td> <td>2900</td> <td>1\"/&gt;  <tr> <td>U-50</td> <td>"</td> <td>"</td> <td>V-675</td> <td>122</td> <td>1/2</td> <td>2900</td> <td>1\"/&gt;  </td></tr></td></tr></td></tr></td></tr></td></tr></td></tr></td></tr></td></tr></td></tr></td></tr></td></tr></td></tr></td></tr></td></tr></td></tr></td></tr></td></tr></td></tr></td></tr></td></tr></td></tr></td></tr></td></tr></td></tr></td></tr></td></tr></td></tr></td></tr></td></tr></td></tr></td></tr>  | U-20 | " | " | V-675  | 122  | 1/2 | 2900   | 1\"/> <tr> <td>U-21</td> <td>"</td> <td>"</td> <td>V-675</td> <td>122</td> <td>1/2</td> <td>2900</td> <td>1\"/&gt;  <tr> <td>U-22</td> <td>"</td> <td>"</td> <td>V-675</td> <td>122</td> <td>1/2</td> <td>2900</td> <td>1\"/&gt;  <tr> <td>U-23</td> <td>"</td> <td>"</td> <td>V-675</td> <td>122</td> <td>1/2</td> <td>2900</td> <td>1\"/&gt;  <tr> <td>U-24</td> <td>"</td> <td>"</td> <td>V-675</td> <td>122</td> <td>1/2</td> <td>2900</td> <td>1\"/&gt;  <tr> <td>U-25</td> <td>"</td> <td>"</td> <td>V-675</td> <td>122</td> <td>1/2</td> <td>2900</td> <td>1\"/&gt;  <tr> <td>U-26</td> <td>"</td> <td>"</td> <td>V-675</td> <td>122</td> <td>1/2</td> <td>2900</td> <td>1\"/&gt;  <tr> <td>U-27</td> <td>"</td> <td>"</td> <td>V-675</td> <td>122</td> <td>1/2</td> <td>2900</td> <td>1\"/&gt;  <tr> <td>U-28</td> <td>"</td> <td>"</td> <td>V-675</td> <td>122</td> <td>1/2</td> <td>2900</td> <td>1\"/&gt;  <tr> <td>U-29</td> <td>"</td> <td>"</td> <td>V-675</td> <td>122</td> <td>1/2</td> <td>2900</td> <td>1\"/&gt;  <tr> <td>U-30</td> <td>"</td> <td>"</td> <td>V-675</td> <td>122</td> <td>1/2</td> <td>2900</td> <td>1\"/&gt;  <tr> <td>U-31</td> <td>"</td> <td>"</td> <td>V-675</td> <td>122</td> <td>1/2</td> <td>2900</td> <td>1\"/&gt;  <tr> <td>U-32</td> <td>"</td> <td>"</td> <td>V-675</td> <td>122</td> <td>1/2</td> <td>2900</td> <td>1\"/&gt;  <tr> <td>U-33</td> <td>"</td> <td>"</td> <td>V-675</td> <td>122</td> <td>1/2</td> <td>2900</td> <td>1\"/&gt;  <tr> <td>U-34</td> <td>"</td> <td>"</td> <td>V-675</td> <td>122</td> <td>1/2</td> <td>2900</td> <td>1\"/&gt;  <tr> <td>U-35</td> <td>"</td> <td>"</td> <td>V-675</td> <td>122</td> <td>1/2</td> <td>2900</td> <td>1\"/&gt;  <tr> <td>U-36</td> <td>"</td> <td>"</td> <td>V-675</td> <td>122</td> <td>1/2</td> <td>2900</td> <td>1\"/&gt;  <tr> <td>U-37</td> <td>"</td> <td>"</td> <td>V-675</td> <td>122</td> <td>1/2</td> <td>2900</td> <td>1\"/&gt;  <tr> <td>U-38</td> <td>"</td> <td>"</td> <td>V-675</td> <td>122</td> <td>1/2</td> <td>2900</td> <td>1\"/&gt;  <tr> <td>U-39</td> <td>"</td> <td>"</td> <td>V-675</td> <td>122</td> <td>1/2</td> <td>2900</td> <td>1\"/&gt;  <tr> <td>U-40</td> <td>"</td> <td>"</td> <td>V-675</td> <td>122</td> <td>1/2</td> <td>2900</td> <td>1\"/&gt;  <tr> <td>U-41</td> <td>"</td> <td>"</td> <td>V-675</td> <td>122</td> <td>1/2</td> <td>2900</td> <td>1\"/&gt;  <tr> <td>U-42</td> <td>"</td> <td>"</td> <td>V-675</td> <td>122</td> <td>1/2</td> <td>2900</td> <td>1\"/&gt;  <tr> <td>U-43</td> <td>"</td> <td>"</td> <td>V-675</td> <td>122</td> <td>1/2</td> <td>2900</td> <td>1\"/&gt;  <tr> <td>U-44</td> <td>"</td> <td>"</td> <td>V-675</td> <td>122</td> <td>1/2</td> <td>2900</td> <td>1\"/&gt;  <tr> <td>U-45</td> <td>"</td> <td>"</td> <td>V-675</td> <td>122</td> <td>1/2</td> <td>2900</td> <td>1\"/&gt;  <tr> <td>U-46</td> <td>"</td> <td>"</td> <td>V-675</td> <td>122</td> <td>1/2</td> <td>2900</td> <td>1\"/&gt;  <tr> <td>U-47</td> <td>"</td> <td>"</td> <td>V-675</td> <td>122</td> <td>1/2</td> <td>2900</td> <td>1\"/&gt;  <tr> <td>U-48</td> <td>"</td> <td>"</td> <td>V-675</td> <td>122</td> <td>1/2</td> <td>2900</td> <td>1\"/&gt;  <tr> <td>U-49</td> <td>"</td> <td>"</td> <td>V-675</td> <td>122</td> <td>1/2</td> <td>2900</td> <td>1\"/&gt;  <tr> <td>U-50</td> <td>"</td> <td>"</td> <td>V-675</td> <td>122</td> <td>1/2</td> <td>2900</td> <td>1\"/&gt; 
</td></tr></td></tr></td></tr></td></tr></td></tr></td></tr></td></tr></td></tr></td></tr></td></tr></td></tr></td></tr></td></tr></td></tr></td></tr></td></tr></td></tr></td></tr></td></tr></td></tr></td></tr></td></tr></td></tr></td></tr></td></tr></td></tr></td></tr></td></tr></td></tr></td></tr>   | U-21 | " | " | V-675  | 122 | 1/2 | 2900   | 1\"/> <tr> <td>U-22</td> <td>"</td> <td>"</td> <td>V-675</td> <td>122</td> <td>1/2</td> <td>2900</td> <td>1\"/&gt;  <tr> <td>U-23</td> <td>"</td> <td>"</td> <td>V-675</td> <td>122</td> <td>1/2</td> <td>2900</td> <td>1\"/&gt;  <tr> <td>U-24</td> <td>"</td> <td>"</td> <td>V-675</td> <td>122</td> <td>1/2</td> <td>2900</td> <td>1\"/&gt;  <tr> <td>U-25</td> <td>"</td> <td>"</td> <td>V-675</td> <td>122</td> <td>1/2</td> <td>2900</td> <td>1\"/&gt;  <tr> <td>U-26</td> <td>"</td> <td>"</td> <td>V-675</td> <td>122</td> <td>1/2</td> <td>2900</td> <td>1\"/&gt;  <tr> <td>U-27</td> <td>"</td> <td>"</td> <td>V-675</td> <td>122</td> <td>1/2</td> <td>2900</td> <td>1\"/&gt;  <tr> <td>U-28</td> <td>"</td> <td>"</td> <td>V-675</td> <td>122</td> <td>1/2</td> <td>2900</td> <td>1\"/&gt;  <tr> <td>U-29</td> <td>"</td> <td>"</td> <td>V-675</td> <td>122</td> <td>1/2</td> <td>2900</td> <td>1\"/&gt;  <tr> <td>U-30</td> <td>"</td> <td>"</td> <td>V-675</td> <td>122</td> <td>1/2</td> <td>2900</td> <td>1\"/&gt;  <tr> <td>U-31</td> <td>"</td> <td>"</td> <td>V-675</td> <td>122</td> <td>1/2</td> <td>2900</td> <td>1\"/&gt;  <tr> <td>U-32</td> <td>"</td> <td>"</td> <td>V-675</td> <td>122</td> <td>1/2</td> <td>2900</td> <td>1\"/&gt;  <tr> <td>U-33</td> <td>"</td> <td>"</td> <td>V-675</td> <td>122</td> <td>1/2</td> <td>2900</td> <td>1\"/&gt;  <tr> <td>U-34</td> <td>"</td> <td>"</td> <td>V-675</td> <td>122</td> <td>1/2</td> <td>2900</td> <td>1\"/&gt;  <tr> <td>U-35</td> <td>"</td> <td>"</td> <td>V-675</td> <td>122</td> <td>1/2</td> <td>2900</td> <td>1\"/&gt;  <tr> <td>U-36</td> <td>"</td> <td>"</td> <td>V-675</td> <td>122</td> <td>1/2</td> <td>2900</td> <td>1\"/&gt;  <tr> <td>U-37</td> <td>"</td> <td>"</td> <td>V-675</td> <td>122</td> <td>1/2</td> <td>2900</td> <td>1\"/&gt;  <tr> <td>U-38</td> <td>"</td> <td>"</td> <td>V-675</td> <td>122</td> <td>1/2</td> <td>2900</td> <td>1\"/&gt;  <tr> <td>U-39</td> <td>"</td> <td>"</td> <td>V-675</td> <td>122</td> <td>1/2</td> <td>2900</td> <td>1\"/&gt;  <tr> <td>U-40</td> <td>"</td> <td>"</td> <td>V-675</td> <td>122</td> <td>1/2</td> <td>2900</td> <td>1\"/&gt;  <tr> <td>U-41</td> <td>"</td> <td>"</td> <td>V-675</td> <td>122</td> <td>1/2</td> <td>2900</td> <td>1\"/&gt;  <tr> <td>U-42</td> <td>"</td> <td>"</td> <td>V-675</td> <td>122</td> <td>1/2</td> <td>2900</td> <td>1\"/&gt;  <tr> <td>U-43</td> <td>"</td> <td>"</td> <td>V-675</td> <td>122</td> <td>1/2</td> <td>2900</td> <td>1\"/&gt;  <tr> <td>U-44</td> <td>"</td> <td>"</td> <td>V-675</td> <td>122</td> <td>1/2</td> <td>2900</td> <td>1\"/&gt;  <tr> <td>U-45</td> <td>"</td> <td>"</td> <td>V-675</td> <td>122</td> <td>1/2</td> <td>2900</td> <td>1\"/&gt;  <tr> <td>U-46</td> <td>"</td> <td>"</td> <td>V-675</td> <td>122</td> <td>1/2</td> <td>2900</td> <td>1\"/&gt;  <tr> <td>U-47</td> <td>"</td> <td>"</td> <td>V-675</td> <td>122</td> <td>1/2</td> <td>2900</td> <td>1\"/&gt;  <tr> <td>U-48</td> <td>"</td> <td>"</td> <td>V-675</td> <td>122</td> <td>1/2</td> <td>2900</td> <td>1\"/&gt;  <tr> <td>U-49</td> <td>"</td> <td>"</td> <td>V-675</td> <td>122</td> <td>1/2</td> <td>2900</td> <td>1\"/&gt;  <tr> <td>U-50</td> <td>"</td> <td>"</td> <td>V-675</td> <td>122</td> <td>1/2</td> <td>2900</td> <td>1\"/&gt;  </td></tr></td></tr></td></tr></td></tr></td></tr></td></tr></td></tr></td></tr></td></tr></td></tr></td></tr></td></tr></td></tr></td></tr></td></tr></td></tr></td></tr></td></tr></td></tr></td></tr></td></tr></td></tr></td></tr></td></tr></td></tr></td></tr></td></tr></td></tr></td></tr>   | U-22 | " | " | V-675 | 122 | 1/2 | 2900    | 1\"/> <tr> <td>U-23</td> <td>"</td> <td>"</td> <td>V-675</td> <td>122</td> <td>1/2</td> <td>2900</td> <td>1\"/&gt;  <tr> <td>U-24</td> <td>"</td> <td>"</td> <td>V-675</td> <td>122</td> <td>1/2</td> <td>2900</td> <td>1\"/&gt;  <tr> <td>U-25</td> <td>"</td> <td>"</td> <td>V-675</td> <td>122</td> <td>1/2</td> <td>2900</td> <td>1\"/&gt;  <tr> <td>U-26</td> <td>"</td> <td>"</td> <td>V-675</td> <td>122</td> <td>1/2</td> <td>2900</td> <td>1\"/&gt;  <tr> <td>U-27</td> <td>"</td> <td>"</td> <td>V-675</td> <td>122</td> <td>1/2</td> <td>2900</td> <td>1\"/&gt;  <tr> <td>U-28</td> <td>"</td> <td>"</td> <td>V-675</td> <td>122</td> <td>1/2</td> <td>2900</td> <td>1\"/&gt;  <tr> <td>U-29</td> <td>"</td> <td>"</td> <td>V-675</td> <td>122</td> <td>1/2</td> <td>2900</td> <td>1\"/&gt;  <tr> <td>U-30</td> <td>"</td> <td>"</td> <td>V-675</td> <td>122</td> <td>1/2</td> <td>2900</td> <td>1\"/&gt;  <tr> <td>U-31</td> <td>"</td> <td>"</td> <td>V-675</td> <td>122</td> <td>1/2</td> <td>2900</td> <td>1\"/&gt;  <tr> <td>U-32</td> <td>"</td> <td>"</td> <td>V-675</td> <td>122</td> <td>1/2</td> <td>2900</td> <td>1\"/&gt;  <tr> <td>U-33</td> <td>"</td> <td>"</td> <td>V-675</td> <td>122</td> <td>1/2</td> <td>2900</td> <td>1\"/&gt;  <tr> <td>U-34</td> <td>"</td> <td>"</td> <td>V-675</td> <td>122</td> <td>1/2</td> <td>2900</td> <td>1\"/&gt;  <tr> <td>U-35</td> <td>"</td> <td>"</td> <td>V-675</td> <td>122</td> <td>1/2</td> <td>2900</td> <td>1\"/&gt;  <tr> <td>U-36</td> <td>"</td> <td>"</td> <td>V-675</td> <td>122</td> <td>1/2</td> <td>2900</td> <td>1\"/&gt;  <tr> <td>U-37</td> <td>"</td> <td>"</td> <td>V-675</td> <td>122</td> <td>1/2</td> <td>2900</td> <td>1\"/&gt;  <tr> <td>U-38</td> <td>"</td> <td>"</td> <td>V-675</td> <td>122</td> <td>1/2</td> <td>2900</td> <td>1\"/&gt;  <tr> <td>U-39</td> <td>"</td> <td>"</td>
<td>V-675</td> <td>122</td> <td>1/2</td> <td>2900</td> <td>1\"/&gt;  <tr> <td>U-40</td> <td>"</td> <td>"</td> <td>V-675</td> <td>122</td> <td>1/2</td> <td>2900</td> <td>1\"/&gt;  <tr> <td>U-41</td> <td>"</td> <td>"</td> <td>V-675</td> <td>122</td> <td>1/2</td> <td>2900</td> <td>1\"/&gt;  <tr> <td>U-42</td> <td>"</td> <td>"</td> <td>V-675</td> <td>122</td> <td>1/2</td> <td>2900</td> <td>1\"/&gt;  <tr> <td>U-43</td> <td>"</td> <td>"</td> <td>V-675</td> <td>122</td> <td>1/2</td> <td>2900</td> <td>1\"/&gt;  <tr> <td>U-44</td> <td>"</td> <td>"</td> <td>V-675</td> <td>122</td> <td>1/2</td> <td>2900</td> <td>1\"/&gt;  <tr> <td>U-45</td> <td>"</td> <td>"</td> <td>V-675</td> <td>122</td> <td>1/2</td> <td>2900</td> <td>1\"/&gt;  <tr> <td>U-46</td> <td>"</td> <td>"</td> <td>V-675</td> <td>122</td> <td>1/2</td> <td>2900</td> <td>1\"/&gt;  <tr> <td>U-47</td> <td>"</td> <td>"</td> <td>V-675</td> <td>122</td> <td>1/2</td> <td>2900</td> <td>1\"/&gt;  <tr> <td>U-48</td> <td>"</td> <td>"</td> <td>V-675</td> <td>122</td> <td>1/2</td> <td>2900</td> <td>1\"/&gt;  <tr> <td>U-49</td> <td>"</td> <td>"</td> <td>V-675</td> <td>122</td> <td>1/2</td> <td>2900</td> <td>1\"/&gt;  <tr> <td>U-50</td> <td>"</td> <td>"</td> <td>V-675</td> <td>122</td> <td>1/2</td> <td>2900</td> <td>1\"/&gt;  </td></tr></td></tr></td></tr></td></tr></td></tr></td></tr></td></tr></td></tr></td></tr></td></tr></td></tr></td></tr></td></tr></td></tr></td></tr></td></tr></td></tr></td></tr></td></tr></td></tr></td></tr></td></tr></td></tr></td></tr></td></tr></td></tr></td></tr></td></tr>  | U-23 | " | " | V-675 | 122 | 1/2 | 2900   | 1\"/> <tr> <td>U-24</td> <td>"</td> <td>"</td> <td>V-675</td> <td>122</td> <td>1/2</td> <td>2900</td> <td>1\"/&gt;  <tr> <td>U-25</td> <td>"</td> <td>"</td> <td>V-675</td> <td>122</td> <td>1/2</td> <td>2900</td> <td>1\"/&gt;  <tr> <td>U-26</td> <td>"</td> <td>"</td> <td>V-675</td> <td>122</td> <td>1/2</td> <td>2900</td> <td>1\"/&gt;  <tr> <td>U-27</td> <td>"</td> <td>"</td> <td>V-675</td> <td>122</td> <td>1/2</td> <td>2900</td> <td>1\"/&gt;  <tr> <td>U-28</td> <td>"</td> <td>"</td> <td>V-675</td> <td>122</td> <td>1/2</td> <td>2900</td> <td>1\"/&gt;  <tr> <td>U-29</td> <td>"</td> <td>"</td> <td>V-675</td> <td>122</td> <td>1/2</td> <td>2900</td> <td>1\"/&gt;  <tr> <td>U-30</td> <td>"</td> <td>"</td> <td>V-675</td> <td>122</td> <td>1/2</td> <td>2900</td> <td>1\"/&gt;  <tr> <td>U-31</td> <td>"</td> <td>"</td> <td>V-675</td> <td>122</td> <td>1/2</td> <td>2900</td> <td>1\"/&gt;  <tr> <td>U-32</td> <td>"</td> <td>"</td> <td>V-675</td> <td>122</td> <td>1/2</td> <td>2900</td> <td>1\"/&gt;  <tr> <td>U-33</td> <td>"</td> <td>"</td> <td>V-675</td> <td>122</td> <td>1/2</td> <td>2900</td> <td>1\"/&gt;  <tr> <td>U-34</td> <td>"</td> <td>"</td> <td>V-675</td> <td>122</td> <td>1/2</td> <td>2900</td> <td>1\"/&gt;  <tr> <td>U-35</td> <td>"</td> <td>"</td> <td>V-675</td> <td>122</td> <td>1/2</td> <td>2900</td> <td>1\"/&gt;  <tr> <td>U-36</td> <td>"</td> <td>"</td> <td>V-675</td> <td>122</td> <td>1/2</td> <td>2900</td> <td>1\"/&gt;  <tr> <td>U-37</td> <td>"</td> <td>"</td> <td>V-675</td> <td>122</td> <td>1/2</td> <td>2900</td> <td>1\"/&gt;  <tr> <td>U-38</td> <td>"</td> <td>"</td> <td>V-675</td> <td>122</td> <td>1/2</td> <td>2900</td> <td>1\"/&gt;  <tr> <td>U-39</td> <td>"</td> <td>"</td> <td>V-675</td> <td>122</td> <td>1/2</td> <td>2900</td> <td>1\"/&gt;  <tr> <td>U-40</td> <td>"</td> <td>"</td> <td>V-675</td> <td>122</td> <td>1/2</td> <td>2900</td> <td>1\"/&gt;  <tr> <td>U-41</td> <td>"</td> <td>"</td> <td>V-675</td> <td>122</td> <td>1/2</td> <td>2900</td> <td>1\"/&gt;  <tr> <td>U-42</td> <td>"</td> <td>"</td> <td>V-675</td> <td>122</td> <td>1/2</td> <td>2900</td> <td>1\"/&gt;  <tr> <td>U-43</td> <td>"</td> <td>"</td> <td>V-675</td> <td>122</td> <td>1/2</td> <td>2900</td> <td>1\"/&gt;  <tr> <td>U-44</td> <td>"</td> <td>"</td> <td>V-675</td> <td>122</td> <td>1/2</td> <td>2900</td> <td>1\"/&gt;  <tr> <td>U-45</td> <td>"</td> <td>"</td> <td>V-675</td> <td>122</td> <td>1/2</td> <td>2900</td> <td>1\"/&gt;  <tr> <td>U-46</td> <td>"</td> <td>"</td> <td>V-675</td> <td>122</td> <td>1/2</td> <td>2900</td> <td>1\"/&gt;  <tr> <td>U-47</td> <td>"</td> <td>"</td> <td>V-675</td> <td>122</td> <td>1/2</td> <td>2900</td> <td>1\"/&gt;  <tr> <td>U-48</td> <td>"</td> <td>"</td> <td>V-675</td> <td>122</td> <td>1/2</td> <td>2900</td> <td>1\"/&gt;  <tr> <td>U-49</td> <td>"</td> <td>"</td> <td>V-675</td> <td>122</td> <td>1/2</td> <td>2900</td> <td>1\"/&gt;  <tr> <td>U-50</td> <td>"</td> <td>"</td> <td>V-675</td> <td>122</td> <td>1/2</td> <td>2900</td> <td>1\"/&gt;  </td></tr></td></tr></td></tr></td></tr></td></tr></td></tr></td></tr></td></tr></td></tr></td></tr></td></tr></td></tr></td></tr></td></tr></td></tr></td></tr></td></tr></td></tr></td></tr></td></tr></td></tr></td></tr></td></tr></td></tr></td></tr></td></tr></td></tr>   | U-24 | " | " | V-675 | 122 | 1/2 | 2900    | 1\"/> <tr> <td>U-25</td> <td>"</td> <td>"</td> <td>V-675</td> <td>122</td> <td>1/2</td> <td>2900</td> <td>1\"/&gt;  <tr> <td>U-26</td> <td>"</td> <td>"</td> <td>V-675</td> <td>122</td> <td>1/2</td> <td>2900</td> <td>1\"/&gt;  <tr> <td>U-27</td> <td>"</td> <td>"</td> <td>V-675</td> <td>122</td> <td>1/2</td> <td>2900</td> <td>1\"/&gt;  <tr> <td>U-28</td> <td>"</td> <td>"</td> <td>V-675</td> <td>122</td> <td>1/2</td> <td>2900</td> <td>1\"/&gt;  <tr> <td>U-29</td> <td>"</td> <td>"</td> <td>V-675</td> <td>122</td> <td>1/2</td> <td>2900</td> <td>1\"/&gt;  <tr> <td>U-30</td> <td>"</td> <td>"</td> <td>V-675</td> <td>122</td> <td>1/2</td> <td>2900</td> <td>1\"/&gt;  <tr> <td>U-31</td> <td>"</td> <td>"</td> <td>V-675</td> <td>122</td> <td>1/2</td> <td>2900</td> <td>1\"/&gt;  <tr>
<td>U-32</td> <td>"</td> <td>"</td> <td>V-675</td> <td>122</td> <td>1/2</td> <td>2900</td> <td>1\"/&gt;  <tr> <td>U-33</td> <td>"</td> <td>"</td> <td>V-675</td> <td>122</td> <td>1/2</td> <td>2900</td> <td>1\"/&gt;  <tr> <td>U-34</td> <td>"</td> <td>"</td> <td>V-675</td> <td>122</td> <td>1/2</td> <td>2900</td> <td>1\"/&gt;  <tr> <td>U-35</td> <td>"</td> <td>"</td> <td>V-675</td> <td>122</td> <td>1/2</td> <td>2900</td> <td>1\"/&gt;  <tr> <td>U-36</td> <td>"</td> <td>"</td> <td>V-675</td> <td>122</td> <td>1/2</td> <td>2900</td> <td>1\"/&gt;  <tr> <td>U-37</td> <td>"</td> <td>"</td> <td>V-675</td> <td>122</td> <td>1/2</td> <td>2900</td> <td>1\"/&gt;  <tr> <td>U-38</td> <td>"</td> <td>"</td> <td>V-675</td> <td>122</td> <td>1/2</td> <td>2900</td> <td>1\"/&gt;  <tr> <td>U-39</td> <td>"</td> <td>"</td> <td>V-675</td> <td>122</td> <td>1/2</td> <td>2900</td> <td>1\"/&gt;  <tr> <td>U-40</td> <td>"</td> <td>"</td> <td>V-675</td> <td>122</td> <td>1/2</td> <td>2900</td> <td>1\"/&gt;  <tr> <td>U-41</td> <td>"</td> <td>"</td> <td>V-675</td> <td>122</td> <td>1/2</td> <td>2900</td> <td>1\"/&gt;  <tr> <td>U-42</td> <td>"</td> <td>"</td> <td>V-675</td> <td>122</td> <td>1/2</td> <td>2900</td> <td>1\"/&gt;  <tr> <td>U-43</td> <td>"</td> <td>"</td> <td>V-675</td> <td>122</td> <td>1/2</td> <td>2900</td> <td>1\"/&gt;  <tr> <td>U-44</td> <td>"</td> <td>"</td> <td>V-675</td> <td>122</td> <td>1/2</td> <td>2900</td> <td>1\"/&gt;  <tr> <td>U-45</td> <td>"</td> <td>"</td> <td>V-675</td> <td>122</td> <td>1/2</td> <td>2900</td> <td>1\"/&gt;  <tr> <td>U-46</td> <td>"</td> <td>"</td> <td>V-675</td> <td>122</td> <td>1/2</td> <td>2900</td> <td>1\"/&gt;  <tr> <td>U-47</td> <td>"</td> <td>"</td> <td>V-675</td> <td>122</td> <td>1/2</td> <td>2900</td> <td>1\"/&gt;  <tr> <td>U-48</td> <td>"</td> <td>"</td> <td>V-675</td> <td>122</td> <td>1/2</td> <td>2900</td> <td>1\"/&gt;  <tr> <td>U-49</td> <td>"</td> <td>"</td> <td>V-675</td> <td>122</td> <td>1/2</td> <td>2900</td> <td>1\"/&gt;  <tr> <td>U-50</td> <td>"</td> <td>"</td> <td>V-675</td> <td>122</td> <td>1/2</td> <td>2900</td> <td>1\"/&gt;  </td></tr></td></tr></td></tr></td></tr></td></tr></td></tr></td></tr></td></tr></td></tr></td></tr></td></tr></td></tr></td></tr></td></tr></td></tr></td></tr></td></tr></td></tr></td></tr></td></tr></td></tr></td></tr></td></tr></td></tr></td></tr></td></tr>  | U-25 | "           | "      | V-675  | 122  | 1/2 | 2900 | 1\"/> <tr> <td>U-26</td> <td>"</td> <td>"</td> <td>V-675</td> <td>122</td> <td>1/2</td> <td>2900</td> <td>1\"/&gt;  <tr> <td>U-27</td> <td>"</td> <td>"</td> <td>V-675</td> <td>122</td> <td>1/2</td> <td>2900</td> <td>1\"/&gt;  <tr> <td>U-28</td> <td>"</td> <td>"</td> <td>V-675</td> <td>122</td> <td>1/2</td> <td>2900</td> <td>1\"/&gt;  <tr> <td>U-29</td> <td>"</td> <td>"</td> <td>V-675</td> <td>122</td> <td>1/2</td> <td>2900</td> <td>1\"/&gt;  <tr> <td>U-30</td> <td>"</td> <td>"</td> <td>V-675</td> <td>122</td> <td>1/2</td> <td>2900</td> <td>1\"/&gt;  <tr> <td>U-31</td> <td>"</td> <td>"</td> <td>V-675</td> <td>122</td> <td>1/2</td> <td>2900</td> <td>1\"/&gt;  <tr> <td>U-32</td> <td>"</td> <td>"</td> <td>V-675</td> <td>122</td> <td>1/2</td> <td>2900</td> <td>1\"/&gt;  <tr> <td>U-33</td> <td>"</td> <td>"</td> <td>V-675</td> <td>122</td> <td>1/2</td> <td>2900</td> <td>1\"/&gt;  <tr> <td>U-34</td> <td>"</td> <td>"</td> <td>V-675</td> <td>122</td> <td>1/2</td> <td>2900</td> <td>1\"/&gt;  <tr> <td>U-35</td> <td>"</td> <td>"</td> <td>V-675</td> <td>122</td> <td>1/2</td> <td>2900</td> <td>1\"/&gt;  <tr> <td>U-36</td> <td>"</td> <td>"</td> <td>V-675</td> <td>122</td> <td>1/2</td> <td>2900</td> <td>1\"/&gt;  <tr> <td>U-37</td> <td>"</td> <td>"</td> <td>V-675</td> <td>122</td> <td>1/2</td> <td>2900</td> <td>1\"/&gt;  <tr> <td>U-38</td> <td>"</td> <td>"</td> <td>V-675</td> <td>122</td> <td>1/2</td> <td>2900</td> <td>1\"/&gt;  <tr> <td>U-39</td> <td>"</td> <td>"</td> <td>V-675</td> <td>122</td> <td>1/2</td> <td>2900</td> <td>1\"/&gt;  <tr> <td>U-40</td> <td>"</td> <td>"</td> <td>V-675</td> <td>122</td> <td>1/2</td> <td>2900</td> <td>1\"/&gt;  <tr> <td>U-41</td> <td>"</td> <td>"</td> <td>V-675</td> <td>122</td> <td>1/2</td> <td>2900</td> <td>1\"/&gt;  <tr> <td>U-42</td> <td>"</td> <td>"</td> <td>V-675</td> <td>122</td> <td>1/2</td> <td>2900</td> <td>1\"/&gt;  <tr> <td>U-43</td> <td>"</td> <td>"</td> <td>V-675</td> <td>122</td> <td>1/2</td> <td>2900</td> <td>1\"/&gt;  <tr> <td>U-44</td> <td>"</td> <td>"</td> <td>V-675</td> <td>122</td> <td>1/2</td> <td>2900</td> <td>1\"/&gt;  <tr> <td>U-45</td> <td>"</td> <td>"</td> <td>V-675</td> <td>122</td> <td>1/2</td> <td>2900</td> <td>1\"/&gt;  <tr> <td>U-46</td> <td>"</td> <td>"</td> <td>V-675</td> <td>122</td> <td>1/2</td> <td>2900</td> <td>1\"/&gt;  <tr> <td>U-47</td> <td>"</td> <td>"</td> <td>V-675</td> <td>122</td> <td>1/2</td> <td>2900</td> <td>1\"/&gt;  <tr> <td>U-48</td> <td>"</td> <td>"</td> <td>V-675</td> <td>122</td> <td>1/2</td> <td>2900</td> <td>1\"/&gt;  <tr> <td>U-49</td> <td>"</td> <td>"</td> <td>V-675</td> <td>122</td> <td>1/2</td> <td>2900</td> <td>1\"/&gt;  <tr> <td>U-50</td> <td>"</td> <td>"</td> <td>V-675</td> <td>122</td> <td>1/2</td> <td>2900</td> <td>1\"/&gt;  </td></tr></td></tr></td></tr></td></tr></td></tr></td></tr></td></tr></td></tr></td></tr></td></tr></td></tr></td></tr></td></tr></td></tr></td></tr></td></tr></td></tr></td></tr></td></tr></td></tr></td></tr></td></tr></td></tr></td></tr></td></tr>   
  | U-26 | " | " | V-675  | 122  | 1/2 | 2900 | 1\"/> <tr> <td>U-27</td> <td>"</td> <td>"</td> <td>V-675</td> <td>122</td> <td>1/2</td> <td>2900</td> <td>1\"/&gt;  <tr> <td>U-28</td> <td>"</td> <td>"</td> <td>V-675</td> <td>122</td> <td>1/2</td> <td>2900</td> <td>1\"/&gt;  <tr> <td>U-29</td> <td>"</td> <td>"</td> <td>V-675</td> <td>122</td> <td>1/2</td> <td>2900</td> <td>1\"/&gt;  <tr> <td>U-30</td> <td>"</td> <td>"</td> <td>V-675</td> <td>122</td> <td>1/2</td> <td>2900</td> <td>1\"/&gt;  <tr> <td>U-31</td> <td>"</td> <td>"</td> <td>V-675</td> <td>122</td> <td>1/2</td> <td>2900</td> <td>1\"/&gt;  <tr> <td>U-32</td> <td>"</td> <td>"</td> <td>V-675</td> <td>122</td> <td>1/2</td> <td>2900</td> <td>1\"/&gt;  <tr> <td>U-33</td> <td>"</td> <td>"</td> <td>V-675</td> <td>122</td> <td>1/2</td> <td>2900</td> <td>1\"/&gt;  <tr> <td>U-34</td> <td>"</td> <td>"</td> <td>V-675</td> <td>122</td> <td>1/2</td> <td>2900</td> <td>1\"/&gt;  <tr> <td>U-35</td> <td>"</td> <td>"</td> <td>V-675</td> <td>122</td> <td>1/2</td> <td>2900</td> <td>1\"/&gt;  <tr> <td>U-36</td> <td>"</td> <td>"</td> <td>V-675</td> <td>122</td> <td>1/2</td> <td>2900</td> <td>1\"/&gt;  <tr> <td>U-37</td> <td>"</td> <td>"</td> <td>V-675</td> <td>122</td> <td>1/2</td> <td>2900</td> <td>1\"/&gt;  <tr> <td>U-38</td> <td>"</td> <td>"</td> <td>V-675</td> <td>122</td> <td>1/2</td> <td>2900</td> <td>1\"/&gt;  <tr> <td>U-39</td> <td>"</td> <td>"</td> <td>V-675</td> <td>122</td> <td>1/2</td> <td>2900</td> <td>1\"/&gt;  <tr> <td>U-40</td> <td>"</td> <td>"</td> <td>V-675</td> <td>122</td> <td>1/2</td> <td>2900</td> <td>1\"/&gt;  <tr> <td>U-41</td> <td>"</td> <td>"</td> <td>V-675</td> <td>122</td> <td>1/2</td> <td>2900</td> <td>1\"/&gt;  <tr> <td>U-42</td> <td>"</td> <td>"</td> <td>V-675</td> <td>122</td> <td>1/2</td> <td>2900</td> <td>1\"/&gt;  <tr> <td>U-43</td> <td>"</td> <td>"</td> <td>V-675</td> <td>122</td> <td>1/2</td> <td>2900</td> <td>1\"/&gt;  <tr> <td>U-44</td> <td>"</td> <td>"</td> <td>V-675</td> <td>122</td> <td>1/2</td> <td>2900</td> <td>1\"/&gt;  <tr> <td>U-45</td> <td>"</td> <td>"</td> <td>V-675</td> <td>122</td> <td>1/2</td> <td>2900</td> <td>1\"/&gt;  <tr> <td>U-46</td> <td>"</td> <td>"</td> <td>V-675</td> <td>122</td> <td>1/2</td> <td>2900</td> <td>1\"/&gt;  <tr> <td>U-47</td> <td>"</td> <td>"</td> <td>V-675</td> <td>122</td> <td>1/2</td> <td>2900</td> <td>1\"/&gt;  <tr> <td>U-48</td> <td>"</td> <td>"</td> <td>V-675</td> <td>122</td> <td>1/2</td> <td>2900</td> <td>1\"/&gt;  <tr> <td>U-49</td> <td>"</td> <td>"</td> <td>V-675</td> <td>122</td> <td>1/2</td> <td>2900</td> <td>1\"/&gt;  <tr> <td>U-50</td> <td>"</td> <td>"</td> <td>V-675</td> <td>122</td> <td>1/2</td> <td>2900</td> <td>1\"/&gt;  </td></tr></td></tr></td></tr></td></tr></td></tr></td></tr></td></tr></td></tr></td></tr></td></tr></td></tr></td></tr></td></tr></td></tr></td></tr></td></tr></td></tr></td></tr></td></tr></td></tr></td></tr></td></tr></td></tr></td></tr>   | U-27 | " | " | V-675  | 122 | 1/2 | 2900 | 1\"/> <tr> <td>U-28</td> <td>"</td> <td>"</td> <td>V-675</td> <td>122</td> <td>1/2</td> <td>2900</td> <td>1\"/&gt;  <tr> <td>U-29</td> <td>"</td> <td>"</td> <td>V-675</td> <td>122</td> <td>1/2</td> <td>2900</td> <td>1\"/&gt;  <tr> <td>U-30</td> <td>"</td> <td>"</td> <td>V-675</td> <td>122</td> <td>1/2</td> <td>2900</td> <td>1\"/&gt;  <tr> <td>U-31</td> <td>"</td> <td>"</td> <td>V-675</td> <td>122</td> <td>1/2</td> <td>2900</td> <td>1\"/&gt;  <tr> <td>U-32</td> <td>"</td> <td>"</td> <td>V-675</td> <td>122</td> <td>1/2</td> <td>2900</td> <td>1\"/&gt;  <tr> <td>U-33</td> <td>"</td> <td>"</td> <td>V-675</td> <td>122</td> <td>1/2</td> <td>2900</td> <td>1\"/&gt;  <tr> <td>U-34</td> <td>"</td> <td>"</td> <td>V-675</td> <td>122</td> <td>1/2</td> <td>2900</td> <td>1\"/&gt;  <tr> <td>U-35</td> <td>"</td> <td>"</td> <td>V-675</td> <td>122</td> <td>1/2</td> <td>2900</td> <td>1\"/&gt;  <tr> <td>U-36</td> <td>"</td> <td>"</td> <td>V-675</td> <td>122</td> <td>1/2</td> <td>2900</td> <td>1\"/&gt;  <tr> <td>U-37</td> <td>"</td> <td>"</td> <td>V-675</td> <td>122</td> <td>1/2</td> <td>2900</td> <td>1\"/&gt;  <tr> <td>U-38</td> <td>"</td> <td>"</td> <td>V-675</td> <td>122</td> <td>1/2</td> <td>2900</td> <td>1\"/&gt;  <tr> <td>U-39</td> <td>"</td> <td>"</td> <td>V-675</td> <td>122</td> <td>1/2</td> <td>2900</td> <td>1\"/&gt;  <tr> <td>U-40</td> <td>"</td> <td>"</td> <td>V-675</td> <td>122</td> <td>1/2</td> <td>2900</td> <td>1\"/&gt;  <tr> <td>U-41</td> <td>"</td> <td>"</td> <td>V-675</td> <td>122</td> <td>1/2</td> <td>2900</td> <td>1\"/&gt;  <tr> <td>U-42</td> <td>"</td> <td>"</td> <td>V-675</td> <td>122</td> <td>1/2</td> <td>2900</td> <td>1\"/&gt;  <tr> <td>U-43</td> <td>"</td> <td>"</td> <td>V-675</td> <td>122</td> <td>1/2</td> <td>2900</td> <td>1\"/&gt;  <tr> <td>U-44</td> <td>"</td> <td>"</td> <td>V-675</td> <td>122</td> <td>1/2</td> <td>2900</td> <td>1\"/&gt;  <tr> <td>U-45</td> <td>"</td> <td>"</td> <td>V-675</td> <td>122</td> <td>1/2</td> <td>2900</td> <td>1\"/&gt;  <tr> <td>U-46</td> <td>"</td> <td>"</td> <td>V-675</td> <td>122</td> <td>1/2</td> <td>2900</td> <td>1\"/&gt;  <tr> <td>U-47</td> <td>"</td> <td>"</td> <td>V-675</td> <td>122</td> <td>1/2</td> <td>2900</td> <td>1\"/&gt;  <tr> <td>U-48</td> <td>"</td> <td>"</td> <td>V-675</td> <td>122</td> <td>1/2</td> <td>2900</td> <td>1\"/&gt;  <tr> <td>U-49</td> <td>"</td> <td>"</td> <td>V-675</td> <td>122</td> <td>1/2</td> <td>2900</td> <td>1\"/&gt;  <tr> <td>U-50</td> <td>"</td> <td>"</td> <td>V-675</td> <td>122</td> <td>1/2</td> <td>2900</td> <td>1\"/&gt;  </td></tr></td></tr></td></tr></td></tr></td></tr></td></tr></td></tr></td></tr></td></tr></td></tr></td></tr></td></tr></td></tr></td></tr></td></tr></td></tr></td></tr></td></tr></td></tr></td></tr></td></tr></td></tr></td></tr>   
   | U-28 | " | " | V-675 | 122 | 1/2 | 2900 | 1\"/> <tr> <td>U-29</td> <td>"</td> <td>"</td> <td>V-675</td> <td>122</td> <td>1/2</td> <td>2900</td> <td>1\"/&gt;  <tr> <td>U-30</td> <td>"</td> <td>"</td> <td>V-675</td> <td>122</td> <td>1/2</td> <td>2900</td> <td>1\"/&gt;  <tr> <td>U-31</td> <td>"</td> <td>"</td> <td>V-675</td> <td>122</td> <td>1/2</td> <td>2900</td> <td>1\"/&gt;  <tr> <td>U-32</td> <td>"</td> <td>"</td> <td>V-675</td> <td>122</td> <td>1/2</td> <td>2900</td> <td>1\"/&gt;  <tr> <td>U-33</td> <td>"</td> <td>"</td> <td>V-675</td> <td>122</td> <td>1/2</td> <td>2900</td> <td>1\"/&gt;  <tr> <td>U-34</td> <td>"</td> <td>"</td> <td>V-675</td> <td>122</td> <td>1/2</td> <td>2900</td> <td>1\"/&gt;  <tr> <td>U-35</td> <td>"</td> <td>"</td> <td>V-675</td> <td>122</td> <td>1/2</td> <td>2900</td> <td>1\"/&gt;  <tr> <td>U-36</td> <td>"</td> <td>"</td> <td>V-675</td> <td>122</td> <td>1/2</td> <td>2900</td> <td>1\"/&gt;  <tr> <td>U-37</td> <td>"</td> <td>"</td> <td>V-675</td> <td>122</td> <td>1/2</td> <td>2900</td> <td>1\"/&gt;  <tr> <td>U-38</td> <td>"</td> <td>"</td> <td>V-675</td> <td>122</td> <td>1/2</td> <td>2900</td> <td>1\"/&gt;  <tr> <td>U-39</td> <td>"</td> <td>"</td> <td>V-675</td> <td>122</td> <td>1/2</td> <td>2900</td> <td>1\"/&gt;  <tr> <td>U-40</td> <td>"</td> <td>"</td> <td>V-675</td> <td>122</td> <td>1/2</td> <td>2900</td> <td>1\"/&gt;  <tr> <td>U-41</td> <td>"</td> <td>"</td> <td>V-675</td> <td>122</td> <td>1/2</td> <td>2900</td> <td>1\"/&gt;  <tr> <td>U-42</td> <td>"</td> <td>"</td> <td>V-675</td> <td>122</td> <td>1/2</td> <td>2900</td> <td>1\"/&gt;  <tr> <td>U-43</td> <td>"</td> <td>"</td> <td>V-675</td> <td>122</td> <td>1/2</td> <td>2900</td> <td>1\"/&gt;  <tr> <td>U-44</td> <td>"</td> <td>"</td> <td>V-675</td> <td>122</td> <td>1/2</td> <td>2900</td> <td>1\"/&gt;  <tr> <td>U-45</td> <td>"</td> <td>"</td> <td>V-675</td> <td>122</td> <td>1/2</td> <td>2900</td> <td>1\"/&gt;  <tr> <td>U-46</td> <td>"</td> <td>"</td> <td>V-675</td> <td>122</td> <td>1/2</td> <td>2900</td> <td>1\"/&gt;  <tr> <td>U-47</td> <td>"</td> <td>"</td> <td>V-675</td> <td>122</td> <td>1/2</td> <td>2900</td> <td>1\"/&gt;  <tr> <td>U-48</td> <td>"</td> <td>"</td> <td>V-675</td> <td>122</td> <td>1/2</td> <td>2900</td> <td>1\"/&gt;  <tr> <td>U-49</td> <td>"</td> <td>"</td> <td>V-675</td> <td>122</td> <td>1/2</td> <td>2900</td> <td>1\"/&gt;  <tr> <td>U-50</td> <td>"</td> <td>"</td> <td>V-675</td> <td>122</td> <td>1/2</td> <td>2900</td> <td>1\"/&gt;  </td></tr></td></tr></td></tr></td></tr></td></tr></td></tr></td></tr></td></tr></td></tr></td></tr></td></tr></td></tr></td></tr></td></tr></td></tr></td></tr></td></tr></td></tr></td></tr></td></tr></td></tr></td></tr>  | U-29 | " | " | V-675 | 122 | 1/2 | 2900 | 1\"/> <tr> <td>U-30</td> <td>"</td> <td>"</td> <td>V-675</td> <td>122</td> <td>1/2</td> <td>2900</td> <td>1\"/&gt;  <tr> <td>U-31</td> <td>"</td> <td>"</td> <td>V-675</td> <td>122</td> <td>1/2</td> <td>2900</td> <td>1\"/&gt;  <tr> <td>U-32</td> <td>"</td> <td>"</td> <td>V-675</td> <td>122</td> <td>1/2</td> <td>2900</td> <td>1\"/&gt;  <tr> <td>U-33</td> <td>"</td> <td>"</td> <td>V-675</td> <td>122</td> <td>1/2</td> <td>2900</td> <td>1\"/&gt;  <tr> <td>U-34</td> <td>"</td> <td>"</td> <td>V-675</td> <td>122</td> <td>1/2</td> <td>2900</td> <td>1\"/&gt;  <tr> <td>U-35</td> <td>"</td> <td>"</td> <td>V-675</td> <td>122</td> <td>1/2</td> <td>2900</td> <td>1\"/&gt;  <tr> <td>U-36</td> <td>"</td> <td>"</td> <td>V-675</td> <td>122</td> <td>1/2</td> <td>2900</td> <td>1\"/&gt;  <tr> <td>U-37</td> <td>"</td> <td>"</td> <td>V-675</td> <td>122</td> <td>1/2</td> <td>2900</td> <td>1\"/&gt;  <tr> <td>U-38</td> <td>"</td> <td>"</td> <td>V-675</td> <td>122</td> <td>1/2</td> <td>2900</td> <td>1\"/&gt;  <tr> <td>U-39</td> <td>"</td> <td>"</td> <td>V-675</td> <td>122</td> <td>1/2</td> <td>2900</td> <td>1\"/&gt;  <tr> <td>U-40</td> <td>"</td> <td>"</td> <td>V-675</td> <td>122</td> <td>1/2</td> <td>2900</td> <td>1\"/&gt;  <tr> <td>U-41</td> <td>"</td> <td>"</td> <td>V-675</td> <td>122</td> <td>1/2</td> <td>2900</td> <td>1\"/&gt;  <tr> <td>U-42</td> <td>"</td> <td>"</td> <td>V-675</td> <td>122</td> <td>1/2</td> <td>2900</td> <td>1\"/&gt;  <tr> <td>U-43</td> <td>"</td> <td>"</td> <td>V-675</td> <td>122</td> <td>1/2</td> <td>2900</td> <td>1\"/&gt;  <tr> <td>U-44</td> <td>"</td> <td>"</td> <td>V-675</td> <td>122</td> <td>1/2</td> <td>2900</td> <td>1\"/&gt;  <tr> <td>U-45</td> <td>"</td> <td>"</td> <td>V-675</td> <td>122</td> <td>1/2</td> <td>2900</td> <td>1\"/&gt;  <tr> <td>U-46</td> <td>"</td> <td>"</td> <td>V-675</td> <td>122</td> <td>1/2</td> <td>2900</td> <td>1\"/&gt;  <tr> <td>U-47</td> <td>"</td> <td>"</td> <td>V-675</td> <td>122</td> <td>1/2</td> <td>2900</td> <td>1\"/&gt;  <tr> <td>U-48</td> <td>"</td> <td>"</td> <td>V-675</td> <td>122</td> <td>1/2</td> <td>2900</td> <td>1\"/&gt;  <tr> <td>U-49</td> <td>"</td> <td>"</td> <td>V-675</td> <td>122</td> <td>1/2</td> <td>2900</td> <td>1\"/&gt;  <tr> <td>U-50</td> <td>"</td> <td>"</td> <td>V-675</td> <td>122</td> <td>1/2</td> <td>2900</td> <td>1\"/&gt; 
</td></tr></td></tr></td></tr></td></tr></td></tr></td></tr></td></tr></td></tr></td></tr></td></tr></td></tr></td></tr></td></tr></td></tr></td></tr></td></tr></td></tr></td></tr></td></tr></td></tr></td></tr>   | U-30 | " | " | V-675 | 122 | 1/2 | 2900 | 1\"/> <tr> <td>U-31</td> <td>"</td> <td>"</td> <td>V-675</td> <td>122</td> <td>1/2</td> <td>2900</td> <td>1\"/&gt;  <tr> <td>U-32</td> <td>"</td> <td>"</td> <td>V-675</td> <td>122</td> <td>1/2</td> <td>2900</td> <td>1\"/&gt;  <tr> <td>U-33</td> <td>"</td> <td>"</td> <td>V-675</td> <td>122</td> <td>1/2</td> <td>2900</td> <td>1\"/&gt;  <tr> <td>U-34</td> <td>"</td> <td>"</td> <td>V-675</td> <td>122</td> <td>1/2</td> <td>2900</td> <td>1\"/&gt;  <tr> <td>U-35</td> <td>"</td> <td>"</td> <td>V-675</td> <td>122</td> <td>1/2</td> <td>2900</td> <td>1\"/&gt;  <tr> <td>U-36</td> <td>"</td> <td>"</td> <td>V-675</td> <td>122</td> <td>1/2</td> <td>2900</td> <td>1\"/&gt;  <tr> <td>U-37</td> <td>"</td> <td>"</td> <td>V-675</td> <td>122</td> <td>1/2</td> <td>2900</td> <td>1\"/&gt;  <tr> <td>U-38</td> <td>"</td> <td>"</td> <td>V-675</td> <td>122</td> <td>1/2</td> <td>2900</td> <td>1\"/&gt;  <tr> <td>U-39</td> <td>"</td> <td>"</td> <td>V-675</td> <td>122</td> <td>1/2</td> <td>2900</td> <td>1\"/&gt;  <tr> <td>U-40</td> <td>"</td> <td>"</td> <td>V-675</td> <td>122</td> <td>1/2</td> <td>2900</td> <td>1\"/&gt;  <tr> <td>U-41</td> <td>"</td> <td>"</td> <td>V-675</td> <td>122</td> <td>1/2</td> <td>2900</td> <td>1\"/&gt;  <tr> <td>U-42</td> <td>"</td> <td>"</td> <td>V-675</td> <td>122</td> <td>1/2</td> <td>2900</td> <td>1\"/&gt;  <tr> <td>U-43</td> <td>"</td> <td>"</td> <td>V-675</td> <td>122</td> <td>1/2</td> <td>2900</td> <td>1\"/&gt;  <tr> <td>U-44</td> <td>"</td> <td>"</td> <td>V-675</td> <td>122</td> <td>1/2</td> <td>2900</td> <td>1\"/&gt;  <tr> <td>U-45</td> <td>"</td> <td>"</td> <td>V-675</td> <td>122</td> <td>1/2</td> <td>2900</td> <td>1\"/&gt;  <tr> <td>U-46</td> <td>"</td> <td>"</td> <td>V-675</td> <td>122</td> <td>1/2</td> <td>2900</td> <td>1\"/&gt;  <tr> <td>U-47</td> <td>"</td> <td>"</td> <td>V-675</td> <td>122</td> <td>1/2</td> <td>2900</td> <td>1\"/&gt;  <tr> <td>U-48</td> <td>"</td> <td>"</td> <td>V-675</td> <td>122</td> <td>1/2</td> <td>2900</td> <td>1\"/&gt;  <tr> <td>U-49</td> <td>"</td> <td>"</td> <td>V-675</td> <td>122</td> <td>1/2</td> <td>2900</td> <td>1\"/&gt;  <tr> <td>U-50</td> <td>"</td> <td>"</td> <td>V-675</td> <td>122</td> <td>1/2</td> <td>2900</td> <td>1\"/&gt;  </td></tr></td></tr></td></tr></td></tr></td></tr></td></tr></td></tr></td></tr></td></tr></td></tr></td></tr></td></tr></td></tr></td></tr></td></tr></td></tr></td></tr></td></tr></td></tr></td></tr>  | U-31 | " | " | V-675 | 122 | 1/2 | 2900 | 1\"/> <tr> <td>U-32</td> <td>"</td> <td>"</td> <td>V-675</td> <td>122</td> <td>1/2</td> <td>2900</td> <td>1\"/&gt;  <tr> <td>U-33</td> <td>"</td> <td>"</td> <td>V-675</td> <td>122</td> <td>1/2</td> <td>2900</td> <td>1\"/&gt;  <tr> <td>U-34</td> <td>"</td> <td>"</td> <td>V-675</td> <td>122</td> <td>1/2</td> <td>2900</td> <td>1\"/&gt;  <tr> <td>U-35</td> <td>"</td> <td>"</td> <td>V-675</td> <td>122</td> <td>1/2</td> <td>2900</td> <td>1\"/&gt;  <tr> <td>U-36</td> <td>"</td> <td>"</td> <td>V-675</td> <td>122</td> <td>1/2</td> <td>2900</td> <td>1\"/&gt;  <tr> <td>U-37</td> <td>"</td> <td>"</td> <td>V-675</td> <td>122</td> <td>1/2</td> <td>2900</td> <td>1\"/&gt;  <tr> <td>U-38</td> <td>"</td> <td>"</td> <td>V-675</td> <td>122</td> <td>1/2</td> <td>2900</td> <td>1\"/&gt;  <tr> <td>U-39</td> <td>"</td> <td>"</td> <td>V-675</td> <td>122</td> <td>1/2</td> <td>2900</td> <td>1\"/&gt;  <tr> <td>U-40</td> <td>"</td> <td>"</td> <td>V-675</td> <td>122</td> <td>1/2</td> <td>2900</td> <td>1\"/&gt;  <tr> <td>U-41</td> <td>"</td> <td>"</td> <td>V-675</td> <td>122</td> <td>1/2</td> <td>2900</td> <td>1\"/&gt;  <tr> <td>U-42</td> <td>"</td> <td>"</td> <td>V-675</td> <td>122</td> <td>1/2</td> <td>2900</td> <td>1\"/&gt;  <tr> <td>U-43</td> <td>"</td> <td>"</td> <td>V-675</td> <td>122</td> <td>1/2</td> <td>2900</td> <td>1\"/&gt;  <tr> <td>U-44</td> <td>"</td> <td>"</td> <td>V-675</td> <td>122</td> <td>1/2</td> <td>2900</td> <td>1\"/&gt;  <tr> <td>U-45</td> <td>"</td> <td>"</td> <td>V-675</td> <td>122</td> <td>1/2</td> <td>2900</td>
<td>1\"/&gt;  <tr> <td>U-46</td> <td>"</td> <td>"</td> <td>V-675</td> <td>122</td> <td>1/2</td> <td>2900</td> <td>1\"/&gt;  <tr> <td>U-47</td> <td>"</td> <td>"</td> <td>V-675</td> <td>122</td> <td>1/2</td> <td>2900</td> <td>1\"/&gt;  <tr> <td>U-48</td> <td>"</td> <td>"</td> <td>V-675</td> <td>122</td> <td>1/2</td> <td>2900</td> <td>1\"/&gt;  <tr> <td>U-49</td> <td>"</td> <td>"</td> <td>V-675</td> <td>122</td> <td>1/2</td> <td>2900</td> <td>1\"/&gt;  <tr> <td>U-50</td> <td>"</td> <td>"</td> <td>V-675</td> <td>122</td> <td>1/2</td> <td>2900</td> <td>1\"/&gt;  </td></tr></td></tr></td></tr></td></tr></td></tr></td></tr></td></tr></td></tr></td></tr></td></tr></td></tr></td></tr></td></tr></td></tr></td></tr></td></tr></td></tr></td></tr></td></tr>   | U-32 | " | " | V-675 | 122 | 1/2 | 2900 | 1\"/> <tr> <td>U-33</td> <td>"</td> <td>"</td> <td>V-675</td> <td>122</td> <td>1/2</td> <td>2900</td> <td>1\"/&gt;  <tr> <td>U-34</td> <td>"</td> <td>"</td> <td>V-675</td> <td>122</td> <td>1/2</td> <td>2900</td> <td>1\"/&gt;  <tr> <td>U-35</td> <td>"</td> <td>"</td> <td>V-675</td> <td>122</td> <td>1/2</td> <td>2900</td> <td>1\"/&gt;  <tr> <td>U-36</td> <td>"</td> <td>"</td> <td>V-675</td> <td>122</td> <td>1/2</td> <td>2900</td> <td>1\"/&gt;  <tr> <td>U-37</td> <td>"</td> <td>"</td> <td>V-675</td> <td>122</td> <td>1/2</td> <td>2900</td> <td>1\"/&gt;  <tr> <td>U-38</td> <td>"</td> <td>"</td> <td>V-675</td> <td>122</td> <td>1/2</td> <td>2900</td> <td>1\"/&gt;  <tr> <td>U-39</td> <td>"</td> <td>"</td> <td>V-675</td> <td>122</td> <td>1/2</td> <td>2900</td> <td>1\"/&gt;  <tr> <td>U-40</td> <td>"</td> <td>"</td> <td>V-675</td> <td>122</td> <td>1/2</td> <td>2900</td> <td>1\"/&gt;  <tr> <td>U-41</td> <td>"</td> <td>"</td> <td>V-675</td> <td>122</td> <td>1/2</td> <td>2900</td> <td>1\"/&gt;  <tr> <td>U-42</td> <td>"</td> <td>"</td> <td>V-675</td> <td>122</td> <td>1/2</td> <td>2900</td> <td>1\"/&gt;  <tr> <td>U-43</td> <td>"</td> <td>"</td> <td>V-675</td> <td>122</td> <td>1/2</td> <td>2900</td> <td>1\"/&gt;  <tr> <td>U-44</td> <td>"</td> <td>"</td> <td>V-675</td> <td>122</td> <td>1/2</td> <td>2900</td> <td>1\"/&gt;  <tr> <td>U-45</td> <td>"</td> <td>"</td> <td>V-675</td> <td>122</td> <td>1/2</td> <td>2900</td> <td>1\"/&gt;  <tr> <td>U-46</td> <td>"</td> <td>"</td> <td>V-675</td> <td>122</td> <td>1/2</td> <td>2900</td> <td>1\"/&gt;  <tr> <td>U-47</td> <td>"</td> <td>"</td> <td>V-675</td> <td>122</td> <td>1/2</td> <td>2900</td> <td>1\"/&gt;  <tr> <td>U-48</td> <td>"</td> <td>"</td> <td>V-675</td> <td>122</td> <td>1/2</td> <td>2900</td> <td>1\"/&gt;  <tr> <td>U-49</td> <td>"</td> <td>"</td> <td>V-675</td> <td>122</td> <td>1/2</td> <td>2900</td> <td>1\"/&gt;  <tr> <td>U-50</td> <td>"</td> <td>"</td> <td>V-675</td> <td>122</td> <td>1/2</td> <td>2900</td> <td>1\"/&gt;  </td></tr></td></tr></td></tr></td></tr></td></tr></td></tr></td></tr></td></tr></td></tr></td></tr></td></tr></td></tr></td></tr></td></tr></td></tr></td></tr></td></tr></td></tr>  | U-33 | " | " | V-675 | 122 | 1/2 | 2900 | 1\"/> <tr> <td>U-34</td> <td>"</td> <td>"</td> <td>V-675</td> <td>122</td> <td>1/2</td> <td>2900</td> <td>1\"/&gt;  <tr> <td>U-35</td> <td>"</td> <td>"</td> <td>V-675</td> <td>122</td> <td>1/2</td> <td>2900</td> <td>1\"/&gt;  <tr> <td>U-36</td> <td>"</td> <td>"</td> <td>V-675</td> <td>122</td> <td>1/2</td> <td>2900</td> <td>1\"/&gt;  <tr> <td>U-37</td> <td>"</td> <td>"</td> <td>V-675</td> <td>122</td> <td>1/2</td> <td>2900</td> <td>1\"/&gt;  <tr> <td>U-38</td> <td>"</td> <td>"</td> <td>V-675</td> <td>122</td> <td>1/2</td> <td>2900</td> <td>1\"/&gt;  <tr> <td>U-39</td> <td>"</td> <td>"</td> <td>V-675</td> <td>122</td> <td>1/2</td> <td>2900</td> <td>1\"/&gt;  <tr> <td>U-40</td> <td>"</td> <td>"</td> <td>V-675</td> <td>122</td> <td>1/2</td> <td>2900</td> <td>1\"/&gt;  <tr> <td>U-41</td> <td>"</td> <td>"</td> <td>V-675</td> <td>122</td> <td>1/2</td> <td>2900</td> <td>1\"/&gt;  <tr> <td>U-42</td> <td>"</td> <td>"</td> <td>V-675</td> <td>122</td> <td>1/2</td> <td>2900</td> <td>1\"/&gt;  <tr> <td>U-43</td> <td>"</td> <td>"</td> <td>V-675</td> <td>122</td> <td>1/2</td> <td>2900</td> <td>1\"/&gt;  <tr> <td>U-44</td> <td>"</td> <td>"</td> <td>V-675</td> <td>122</td> <td>1/2</td> <td>2900</td> <td>1\"/&gt;  <tr>
<td>U-45</td> <td>"</td> <td>"</td> <td>V-675</td> <td>122</td> <td>1/2</td> <td>2900</td> <td>1\"/&gt;  <tr> <td>U-46</td> <td>"</td> <td>"</td> <td>V-675</td> <td>122</td> <td>1/2</td> <td>2900</td> <td>1\"/&gt;  <tr> <td>U-47</td> <td>"</td> <td>"</td> <td>V-675</td> <td>122</td> <td>1/2</td> <td>2900</td> <td>1\"/&gt;  <tr> <td>U-48</td> <td>"</td> <td>"</td> <td>V-675</td> <td>122</td> <td>1/2</td> <td>2900</td> <td>1\"/&gt;  <tr> <td>U-49</td> <td>"</td> <td>"</td> <td>V-675</td> <td>122</td> <td>1/2</td> <td>2900</td> <td>1\"/&gt;  <tr> <td>U-50</td> <td>"</td> <td>"</td> <td>V-675</td> <td>122</td> <td>1/2</td> <td>2900</td> <td>1\"/&gt;  </td></tr></td></tr></td></tr></td></tr></td></tr></td></tr></td></tr></td></tr></td></tr></td></tr></td></tr></td></tr></td></tr></td></tr></td></tr></td></tr></td></tr>   | U-34 | " | " | V-675 | 122 | 1/2 | 2900 | 1\"/> <tr> <td>U-35</td> <td>"</td> <td>"</td> <td>V-675</td> <td>122</td> <td>1/2</td> <td>2900</td> <td>1\"/&gt;  <tr> <td>U-36</td> <td>"</td> <td>"</td> <td>V-675</td> <td>122</td> <td>1/2</td> <td>2900</td> <td>1\"/&gt;  <tr> <td>U-37</td> <td>"</td> <td>"</td> <td>V-675</td> <td>122</td> <td>1/2</td> <td>2900</td> <td>1\"/&gt;  <tr> <td>U-38</td> <td>"</td> <td>"</td> <td>V-675</td> <td>122</td> <td>1/2</td> <td>2900</td> <td>1\"/&gt;  <tr> <td>U-39</td> <td>"</td> <td>"</td> <td>V-675</td> <td>122</td> <td>1/2</td> <td>2900</td> <td>1\"/&gt;  <tr> <td>U-40</td> <td>"</td> <td>"</td> <td>V-675</td> <td>122</td> <td>1/2</td> <td>2900</td> <td>1\"/&gt;  <tr> <td>U-41</td> <td>"</td> <td>"</td> <td>V-675</td> <td>122</td> <td>1/2</td> <td>2900</td> <td>1\"/&gt;  <tr> <td>U-42</td> <td>"</td> <td>"</td> <td>V-675</td> <td>122</td> <td>1/2</td> <td>2900</td> <td>1\"/&gt;  <tr> <td>U-43</td> <td>"</td> <td>"</td> <td>V-675</td> <td>122</td> <td>1/2</td> <td>2900</td> <td>1\"/&gt;  <tr> <td>U-44</td> <td>"</td> <td>"</td> <td>V-675</td> <td>122</td> <td>1/2</td> <td>2900</td> <td>1\"/&gt;  <tr> <td>U-45</td> <td>"</td> <td>"</td> <td>V-675</td> <td>122</td> <td>1/2</td> <td>2900</td> <td>1\"/&gt;  <tr> <td>U-46</td> <td>"</td> <td>"</td> <td>V-675</td> <td>122</td> <td>1/2</td> <td>2900</td> <td>1\"/&gt;  <tr> <td>U-47</td> <td>"</td> <td>"</td> <td>V-675</td> <td>122</td> <td>1/2</td> <td>2900</td> <td>1\"/&gt;  <tr> <td>U-48</td> <td>"</td> <td>"</td> <td>V-675</td> <td>122</td> <td>1/2</td> <td>2900</td> <td>1\"/&gt;  <tr> <td>U-49</td> <td>"</td> <td>"</td> <td>V-675</td> <td>122</td> <td>1/2</td> <td>2900</td> <td>1\"/&gt;  <tr> <td>U-50</td> <td>"</td> <td>"</td> <td>V-675</td> <td>122</td> <td>1/2</td> <td>2900</td> <td>1\"/&gt;  </td></tr></td></tr></td></tr></td></tr></td></tr></td></tr></td></tr></td></tr></td></tr></td></tr></td></tr></td></tr></td></tr></td></tr></td></tr></td></tr>   | U-35 | " | " | V-675 | 122 | 1/2 | 2900 | 1\"/> <tr> <td>U-36</td> <td>"</td> <td>"</td> <td>V-675</td> <td>122</td> <td>1/2</td> <td>2900</td> <td>1\"/&gt;  <tr> <td>U-37</td> <td>"</td> <td>"</td> <td>V-675</td> <td>122</td> <td>1/2</td> <td>2900</td> <td>1\"/&gt;  <tr> <td>U-38</td> <td>"</td> <td>"</td> <td>V-675</td> <td>122</td> <td>1/2</td> <td>2900</td> <td>1\"/&gt;  <tr> <td>U-39</td> <td>"</td> <td>"</td> <td>V-675</td> <td>122</td> <td>1/2</td> <td>2900</td> <td>1\"/&gt;  <tr> <td>U-40</td> <td>"</td> <td>"</td> <td>V-675</td> <td>122</td> <td>1/2</td> <td>2900</td> <td>1\"/&gt;  <tr> <td>U-41</td> <td>"</td> <td>"</td> <td>V-675</td> <td>122</td> <td>1/2</td> <td>2900</td> <td>1\"/&gt;  <tr> <td>U-42</td> <td>"</td> <td>"</td> <td>V-675</td> <td>122</td> <td>1/2</td> <td>2900</td> <td>1\"/&gt;  <tr> <td>U-43</td> <td>"</td> <td>"</td> <td>V-675</td> <td>122</td> <td>1/2</td> <td>2900</td> <td>1\"/&gt;  <tr> <td>U-44</td> <td>"</td> <td>"</td> <td>V-675</td> <td>122</td> <td>1/2</td> <td>2900</td> <td>1\"/&gt;  <tr> <td>U-45</td> <td>"</td> <td>"</td> <td>V-675</td> <td>122</td> <td>1/2</td> <td>2900</td> <td>1\"/&gt;  <tr> <td>U-46</td> <td>"</td> <td>"</td> <td>V-675</td> <td>122</td> <td>1/2</td> <td>2900</td> <td>1\"/&gt;  <tr> <td>U-47</td> <td>"</td> <td>"</td> <td>V-675</td> <td>122</td> <td>1/2</td> <td>2900</td> <td>1\"/&gt;  <tr> <td>U-48</td> <td>"</td> <td>"</td> <td>V-675</td> <td>122</td>
<td>1/2</td> <td>2900</td> <td>1\"/&gt;  <tr> <td>U-49</td> <td>"</td> <td>"</td> <td>V-675</td> <td>122</td> <td>1/2</td> <td>2900</td> <td>1\"/&gt;  <tr> <td>U-50</td> <td>"</td> <td>"</td> <td>V-675</td> <td>122</td> <td>1/2</td> <td>2900</td> <td>1\"/&gt;  </td></tr></td></tr></td></tr></td></tr></td></tr></td></tr></td></tr></td></tr></td></tr></td></tr></td></tr></td></tr></td></tr></td></tr></td></tr>   | U-36 | " | " | V-675 | 122 | 1/2 | 2900 | 1\"/> <tr> <td>U-37</td> <td>"</td> <td>"</td> <td>V-675</td> <td>122</td> <td>1/2</td> <td>2900</td> <td>1\"/&gt;  <tr> <td>U-38</td> <td>"</td> <td>"</td> <td>V-675</td> <td>122</td> <td>1/2</td> <td>2900</td> <td>1\"/&gt;  <tr> <td>U-39</td> <td>"</td> <td>"</td> <td>V-675</td> <td>122</td> <td>1/2</td> <td>2900</td> <td>1\"/&gt;  <tr> <td>U-40</td> <td>"</td> <td>"</td> <td>V-675</td> <td>122</td> <td>1/2</td> <td>2900</td> <td>1\"/&gt;  <tr> <td>U-41</td> <td>"</td> <td>"</td> <td>V-675</td> <td>122</td> <td>1/2</td> <td>2900</td> <td>1\"/&gt;  <tr> <td>U-42</td> <td>"</td> <td>"</td> <td>V-675</td> <td>122</td> <td>1/2</td> <td>2900</td> <td>1\"/&gt;  <tr> <td>U-43</td> <td>"</td> <td>"</td> <td>V-675</td> <td>122</td> <td>1/2</td> <td>2900</td> <td>1\"/&gt;  <tr> <td>U-44</td> <td>"</td> <td>"</td> <td>V-675</td> <td>122</td> <td>1/2</td> <td>2900</td> <td>1\"/&gt;  <tr> <td>U-45</td> <td>"</td> <td>"</td> <td>V-675</td> <td>122</td> <td>1/2</td> <td>2900</td> <td>1\"/&gt;  <tr> <td>U-46</td> <td>"</td> <td>"</td> <td>V-675</td> <td>122</td> <td>1/2</td> <td>2900</td> <td>1\"/&gt;  <tr> <td>U-47</td> <td>"</td> <td>"</td> <td>V-675</td> <td>122</td> <td>1/2</td> <td>2900</td> <td>1\"/&gt;  <tr> <td>U-48</td> <td>"</td> <td>"</td> <td>V-675</td> <td>122</td> <td>1/2</td> <td>2900</td> <td>1\"/&gt;  <tr> <td>U-49</td> <td>"</td> <td>"</td> <td>V-675</td> <td>122</td> <td>1/2</td> <td>2900</td> <td>1\"/&gt;  <tr> <td>U-50</td> <td>"</td> <td>"</td> <td>V-675</td> <td>122</td> <td>1/2</td> <td>2900</td> <td>1\"/&gt;  </td></tr></td></tr></td></tr></td></tr></td></tr></td></tr></td></tr></td></tr></td></tr></td></tr></td></tr></td></tr></td></tr></td></tr>   | U-37 | " | " | V-675 | 122 | 1/2 | 2900 | 1\"/> <tr> <td>U-38</td> <td>"</td> <td>"</td> <td>V-675</td> <td>122</td> <td>1/2</td> <td>2900</td> <td>1\"/&gt;  <tr> <td>U-39</td> <td>"</td> <td>"</td> <td>V-675</td> <td>122</td> <td>1/2</td> <td>2900</td> <td>1\"/&gt;  <tr> <td>U-40</td> <td>"</td> <td>"</td> <td>V-675</td> <td>122</td> <td>1/2</td> <td>2900</td> <td>1\"/&gt;  <tr> <td>U-41</td> <td>"</td> <td>"</td> <td>V-675</td> <td>122</td> <td>1/2</td> <td>2900</td> <td>1\"/&gt;  <tr> <td>U-42</td> <td>"</td> <td>"</td> <td>V-675</td> <td>122</td> <td>1/2</td> <td>2900</td> <td>1\"/&gt;  <tr> <td>U-43</td> <td>"</td> <td>"</td> <td>V-675</td> <td>122</td> <td>1/2</td> <td>2900</td> <td>1\"/&gt;  <tr> <td>U-44</td> <td>"</td> <td>"</td> <td>V-675</td> <td>122</td> <td>1/2</td> <td>2900</td> <td>1\"/&gt;  <tr> <td>U-45</td> <td>"</td> <td>"</td> <td>V-675</td> <td>122</td> <td>1/2</td> <td>2900</td> <td>1\"/&gt;  <tr> <td>U-46</td> <td>"</td> <td>"</td> <td>V-675</td> <td>122</td> <td>1/2</td> <td>2900</td> <td>1\"/&gt;  <tr> <td>U-47</td> <td>"</td> <td>"</td> <td>V-675</td> <td>122</td> <td>1/2</td> <td>2900</td> <td>1\"/&gt;  <tr> <td>U-48</td> <td>"</td> <td>"</td> <td>V-675</td> <td>122</td> <td>1/2</td> <td>2900</td> <td>1\"/&gt;  <tr> <td>U-49</td> <td>"</td> <td>"</td> <td>V-675</td> <td>122</td> <td>1/2</td> <td>2900</td> <td>1\"/&gt;  <tr> <td>U-50</td> <td>"</td> <td>"</td> <td>V-675</td> <td>122</td> <td>1/2</td> <td>2900</td> <td>1\"/&gt;  </td></tr></td></tr></td></tr></td></tr></td></tr></td></tr></td></tr></td></tr></td></tr></td></tr></td></tr></td></tr></td></tr>  
  | U-38 | " | " | V-675 | 122 | 1/2 | 2900 | 1\"/> <tr> <td>U-39</td> <td>"</td> <td>"</td> <td>V-675</td> <td>122</td> <td>1/2</td> <td>2900</td> <td>1\"/&gt;  <tr> <td>U-40</td> <td>"</td> <td>"</td> <td>V-675</td> <td>122</td> <td>1/2</td> <td>2900</td> <td>1\"/&gt;  <tr> <td>U-41</td> <td>"</td> <td>"</td> <td>V-675</td> <td>122</td> <td>1/2</td> <td>2900</td> <td>1\"/&gt;  <tr> <td>U-42</td> <td>"</td> <td>"</td> <td>V-675</td> <td>122</td> <td>1/2</td> <td>2900</td> <td>1\"/&gt;  <tr> <td>U-43</td> <td>"</td> <td>"</td> <td>V-675</td> <td>122</td> <td>1/2</td> <td>2900</td> <td>1\"/&gt;  <tr> <td>U-44</td> <td>"</td> <td>"</td> <td>V-675</td> <td>122</td> <td>1/2</td> <td>2900</td> <td>1\"/&gt;  <tr> <td>U-45</td> <td>"</td> <td>"</td> <td>V-675</td> <td>122</td> <td>1/2</td> <td>2900</td> <td>1\"/&gt;  <tr> <td>U-46</td> <td>"</td> <td>"</td> <td>V-675</td> <td>122</td> <td>1/2</td> <td>2900</td> <td>1\"/&gt;  <tr> <td>U-47</td> <td>"</td> <td>"</td> <td>V-675</td> <td>122</td> <td>1/2</td> <td>2900</td> <td>1\"/&gt;  <tr> <td>U-48</td> <td>"</td> <td>"</td> <td>V-675</td> <td>122</td> <td>1/2</td> <td>2900</td> <td>1\"/&gt;  <tr> <td>U-49</td> <td>"</td> <td>"</td> <td>V-675</td> <td>122</td> <td>1/2</td> <td>2900</td> <td>1\"/&gt;  <tr> <td>U-50</td> <td>"</td> <td>"</td> <td>V-675</td> <td>122</td> <td>1/2</td> <td>2900</td> <td>1\"/&gt;  </td></tr></td></tr></td></tr></td></tr></td></tr></td></tr></td></tr></td></tr></td></tr></td></tr></td></tr></td></tr>   | U-39 | " | " | V-675 | 122 | 1/2 | 2900 | 1\"/> <tr> <td>U-40</td> <td>"</td> <td>"</td> <td>V-675</td> <td>122</td> <td>1/2</td> <td>2900</td> <td>1\"/&gt;  <tr> <td>U-41</td> <td>"</td> <td>"</td> <td>V-675</td> <td>122</td> <td>1/2</td> <td>2900</td> <td>1\"/&gt;  <tr> <td>U-42</td> <td>"</td> <td>"</td> <td>V-675</td> <td>122</td> <td>1/2</td> <td>2900</td> <td>1\"/&gt;  <tr> <td>U-43</td> <td>"</td> <td>"</td> <td>V-675</td> <td>122</td> <td>1/2</td> <td>2900</td> <td>1\"/&gt;  <tr> <td>U-44</td> <td>"</td> <td>"</td> <td>V-675</td> <td>122</td> <td>1/2</td> <td>2900</td> <td>1\"/&gt;  <tr> <td>U-45</td> <td>"</td> <td>"</td> <td>V-675</td> <td>122</td> <td>1/2</td> <td>2900</td> <td>1\"/&gt;  <tr> <td>U-46</td> <td>"</td> <td>"</td> <td>V-675</td> <td>122</td> <td>1/2</td> <td>2900</td> <td>1\"/&gt;  <tr> <td>U-47</td> <td>"</td> <td>"</td> <td>V-675</td> <td>122</td> <td>1/2</td> <td>2900</td> <td>1\"/&gt;  <tr> <td>U-48</td> <td>"</td> <td>"</td> <td>V-675</td> <td>122</td> <td>1/2</td> <td>2900</td> <td>1\"/&gt;  <tr> <td>U-49</td> <td>"</td> <td>"</td> <td>V-675</td> <td>122</td> <td>1/2</td> <td>2900</td> <td>1\"/&gt;  <tr> <td>U-50</td> <td>"</td> <td>"</td> <td>V-675</td> <td>122</td> <td>1/2</td> <td>2900</td> <td>1\"/&gt;  </td></tr></td></tr></td></tr></td></tr></td></tr></td></tr></td></tr></td></tr></td></tr></td></tr></td></tr>  
  | U-40 | " | " | V-675 | 122 | 1/2 | 2900 | 1\"/> <tr> <td>U-41</td> <td>"</td> <td>"</td> <td>V-675</td> <td>122</td> <td>1/2</td> <td>2900</td> <td>1\"/&gt;  <tr> <td>U-42</td> <td>"</td> <td>"</td> <td>V-675</td> <td>122</td> <td>1/2</td> <td>2900</td> <td>1\"/&gt;  <tr> <td>U-43</td> <td>"</td> <td>"</td> <td>V-675</td> <td>122</td> <td>1/2</td> <td>2900</td> <td>1\"/&gt;  <tr> <td>U-44</td> <td>"</td> <td>"</td> <td>V-675</td> <td>122</td> <td>1/2</td> <td>2900</td> <td>1\"/&gt;  <tr> <td>U-45</td> <td>"</td> <td>"</td> <td>V-675</td> <td>122</td> <td>1/2</td> <td>2900</td> <td>1\"/&gt;  <tr> <td>U-46</td> <td>"</td> <td>"</td> <td>V-675</td> <td>122</td> <td>1/2</td> <td>2900</td> <td>1\"/&gt;  <tr> <td>U-47</td> <td>"</td> <td>"</td> <td>V-675</td> <td>122</td> <td>1/2</td> <td>2900</td> <td>1\"/&gt;  <tr> <td>U-48</td> <td>"</td> <td>"</td> <td>V-675</td> <td>122</td> <td>1/2</td> <td>2900</td> <td>1\"/&gt;  <tr> <td>U-49</td> <td>"</td> <td>"</td> <td>V-675</td> <td>122</td> <td>1/2</td> <td>2900</td> <td>1\"/&gt;  <tr> <td>U-50</td> <td>"</td> <td>"</td> <td>V-675</td> <td>122</td> <td>1/2</td> <td>2900</td> <td>1\"/&gt;  </td></tr></td></tr></td></tr></td></tr></td></tr></td></tr></td></tr></td></tr></td></tr></td></tr>   | U-41 | " | " | V-675 | 122 | 1/2 | 2900 | 1\"/> <tr> <td>U-42</td> <td>"</td> <td>"</td> <td>V-675</td> <td>122</td> <td>1/2</td> <td>2900</td> <td>1\"/&gt;  <tr> <td>U-43</td> <td>"</td> <td>"</td> <td>V-675</td> <td>122</td> <td>1/2</td> <td>2900</td> <td>1\"/&gt;  <tr> <td>U-44</td> <td>"</td> <td>"</td> <td>V-675</td> <td>122</td> <td>1/2</td> <td>2900</td> <td>1\"/&gt;  <tr> <td>U-45</td> <td>"</td> <td>"</td> <td>V-675</td> <td>122</td> <td>1/2</td> <td>2900</td> <td>1\"/&gt;  <tr> <td>U-46</td> <td>"</td> <td>"</td> <td>V-675</td> <td>122</td> <td>1/2</td> <td>2900</td> <td>1\"/&gt;  <tr> <td>U-47</td> <td>"</td> <td>"</td> <td>V-675</td> <td>122</td> <td>1/2</td> <td>2900</td> <td>1\"/&gt;  <tr> <td>U-48</td> <td>"</td> <td>"</td> <td>V-675</td> <td>122</td> <td>1/2</td> <td>2900</td> <td>1\"/&gt;  <tr> <td>U-49</td> <td>"</td> <td>"</td> <td>V-675</td> <td>122</td> <td>1/2</td> <td>2900</td> <td>1\"/&gt;  <tr> <td>U-50</td> <td>"</td> <td>"</td> <td>V-675</td> <td>122</td> <td>1/2</td> <td>2900</td> <td>1\"/&gt;  </td></tr></td></tr></td></tr></td></tr></td></tr></td></tr></td></tr></td></tr></td></tr>   | U-42 | " | " | V-675 | 122 | 1/2 | 2900 | 1\"/> <tr> <td>U-43</td> <td>"</td> <td>"</td> <td>V-675</td> <td>122</td> <td>1/2</td> <td>2900</td> <td>1\"/&gt;  <tr> <td>U-44</td> <td>"</td> <td>"</td> <td>V-675</td> <td>122</td> <td>1/2</td> <td>2900</td> <td>1\"/&gt;  <tr> <td>U-45</td> <td>"</td> <td>"</td> <td>V-675</td> <td>122</td> <td>1/2</td> <td>2900</td> <td>1\"/&gt;  <tr> <td>U-46</td> <td>"</td> <td>"</td> <td>V-675</td> <td>122</td> <td>1/2</td> <td>2900</td> <td>1\"/&gt;  <tr> <td>U-47</td> <td>"</td> <td>"</td> <td>V-675</td> <td>122</td> <td>1/2</td> <td>2900</td> <td>1\"/&gt;  <tr> <td>U-48</td> <td>"</td> <td>"</td> <td>V-675</td> <td>122</td> <td>1/2</td> <td>2900</td> <td>1\"/&gt;  <tr> <td>U-49</td> <td>"</td> <td>"</td> <td>V-675</td> <td>122</td> <td>1/2</td> <td>2900</td> <td>1\"/&gt;  <tr> <td>U-50</td>
<td>"</td> <td>"</td> <td>V-675</td> <td>122</td> <td>1/2</td> <td>2900</td> <td>1\"/&gt;  </td></tr></td></tr></td></tr></td></tr></td></tr></td></tr></td></tr></td></tr>   | U-43 | " | " | V-675 | 122 | 1/2 | 2900 | 1\"/> <tr> <td>U-44</td> <td>"</td> <td>"</td> <td>V-675</td> <td>122</td> <td>1/2</td> <td>2900</td> <td>1\"/&gt;  <tr> <td>U-45</td> <td>"</td> <td>"</td> <td>V-675</td> <td>122</td> <td>1/2</td> <td>2900</td> <td>1\"/&gt;  <tr> <td>U-46</td> <td>"</td> <td>"</td> <td>V-675</td> <td>122</td> <td>1/2</td> <td>2900</td> <td>1\"/&gt;  <tr> <td>U-47</td> <td>"</td> <td>"</td> <td>V-675</td> <td>122</td> <td>1/2</td> <td>2900</td> <td>1\"/&gt;  <tr> <td>U-48</td> <td>"</td> <td>"</td> <td>V-675</td> <td>122</td> <td>1/2</td> <td>2900</td> <td>1\"/&gt;  <tr> <td>U-49</td> <td>"</td> <td>"</td> <td>V-675</td> <td>122</td> <td>1/2</td> <td>2900</td> <td>1\"/&gt;  <tr> <td>U-50</td> <td>"</td> <td>"</td> <td>V-675</td> <td>122</td> <td>1/2</td> <td>2900</td> <td>1\"/&gt;  </td></tr></td></tr></td></tr></td></tr></td></tr></td></tr></td></tr>   | U-44 | " | " | V-675 | 122 | 1/2 | 2900 | 1\"/> <tr> <td>U-45</td> <td>"</td> <td>"</td> <td>V-675</td> <td>122</td> <td>1/2</td> <td>2900</td> <td>1\"/&gt;  <tr> <td>U-46</td> <td>"</td> <td>"</td> <td>V-675</td> <td>122</td> <td>1/2</td> <td>2900</td> <td>1\"/&gt;  <tr> <td>U-47</td> <td>"</td> <td>"</td> <td>V-675</td> <td>122</td> <td>1/2</td> <td>2900</td> <td>1\"/&gt;  <tr> <td>U-48</td> <td>"</td> <td>"</td> <td>V-675</td> <td>122</td> <td>1/2</td> <td>2900</td> <td>1\"/&gt;  <tr> <td>U-49</td> <td>"</td> <td>"</td> <td>V-675</td> <td>122</td> <td>1/2</td> <td>2900</td> <td>1\"/&gt;  <tr> <td>U-50</td> <td>"</td> <td>"</td> <td>V-675</td> <td>122</td> <td>1/2</td> <td>2900</td> <td>1\"/&gt;  </td></tr></td></tr></td></tr></td></tr></td></tr></td></tr>  
  | U-45 | " | " | V-675 | 122 | 1/2 | 2900 | 1\"/> <tr> <td>U-46</td> <td>"</td> <td>"</td> <td>V-675</td> <td>122</td> <td>1/2</td> <td>2900</td> <td>1\"/&gt;  <tr> <td>U-47</td> <td>"</td> <td>"</td> <td>V-675</td> <td>122</td> <td>1/2</td> <td>2900</td> <td>1\"/&gt;  <tr> <td>U-48</td> <td>"</td> <td>"</td> <td>V-675</td> <td>122</td> <td>1/2</td> <td>2900</td> <td>1\"/&gt;  <tr> <td>U-49</td> <td>"</td> <td>"</td> <td>V-675</td> <td>122</td> <td>1/2</td> <td>2900</td> <td>1\"/&gt;  <tr> <td>U-50</td> <td>"</td> <td>"</td> <td>V-675</td> <td>122</td> <td>1/2</td> <td>2900</td> <td>1\"/&gt;  </td></tr></td></tr></td></tr></td></tr></td></tr>   | U-46 | " | " | V-675 | 122 | 1/2 | 2900 | 1\"/> <tr> <td>U-47</td> <td>"</td> <td>"</td> <td>V-675</td> <td>122</td> <td>1/2</td> <td>2900</td> <td>1\"/&gt;  <tr> <td>U-48</td> <td>"</td> <td>"</td> <td>V-675</td> <td>122</td> <td>1/2</td> <td>2900</td> <td>1\"/&gt;  <tr> <td>U-49</td> <td>"</td> <td>"</td> <td>V-675</td> <td>122</td> <td>1/2</td> <td>2900</td> <td>1\"/&gt;  <tr> <td>U-50</td> <td>"</td> <td>"</td> <td>V-675</td> <td>122</td> <td>1/2</td> <td>2900</td> <td>1\"/&gt;  </td></tr></td></tr></td></tr></td></tr>   | U-47 | " | " | V-675 | 122 | 1/2 | 2900 | 1\"/> <tr> <td>U-48</td> <td>"</td> <td>"</td> <td>V-675</td> <td>122</td> <td>1/2</td> <td>2900</td> <td>1\"/&gt;  <tr> <td>U-49</td> <td>"</td> <td>"</td> <td>V-675</td> <td>122</td> <td>1/2</td> <td>2900</td> <td>1\"/&gt;  <tr> <td>U-50</td> <td>"</td> <td>"</td> <td>V-675</td> <td>122</td> <td>1/2</td> <td>2900</td> <td>1\"/&gt;  </td></tr></td></tr></td></tr>   
   | U-48 | " | " | V-675 | 122 | 1/2 | 2900 | 1\"/> <tr> <td>U-49</td> <td>"</td> <td>"</td> <td>V-675</td> <td>122</td> <td>1/2</td> <td>2900</td> <td>1\"/&gt;  <tr> <td>U-50</td> <td>"</td> <td>"</td> <td>V-675</td> <td>122</td> <td>1/2</td> <td>2900</td> <td>1\"/&gt;  </td></tr></td></tr>   | U-49 | " | " | V-675 | 122 | 1/2 | 2900 | 1\"/> <tr> <td>U-50</td> <td>"</td> <td>"</td> <td>V-675</td> <td>122</td> <td>1/2</td> <td>2900</td> <td>1\"/&gt;  </td></tr>   | U-50 | " | " | V-675 | 122 | 1/2 | 2900 | 1\"/>  |      |   |   |       |     |     |      | | | | | | | | | | | | | | | | | | | | | | | | | | | | | | | | | |
   |      |   |   |       |     |     |      |  |      |   |   |       |     |     |      |  |      |   |   |       |     |     |      |   
  |      |   |   |       |     |     |      |  |      |   |   |       |     |     |      |  |      |   |   |       |     |     |      |  |      |   |   |       |     |     |      |  |      |   |   |       |     |     |      |  
   |      |   |   |       |     |     |      |  |      |   |   |       |     |     |      |  |      |   |   |       |     |     |      |  |      |   |   |       |     |     |      |  |      |   |   |       |     |     |      |  |      |   |   |       |     |     |      |  |      |   |   |       |     |     |      |   
  |      |   |   |       |     |     |      |  |      |   |   |       |     |     |      |  |      |   |   |       |     |     |      |  |      |   |   |       |     |     |      |  |      |   |   |       |     |     |      |  |      |   |   |       |     |     |      |  |      |   |   |       |     |     |      |  |      |   |   |       |     |     |      |       |
| U-20 | "             | "                       | V-675    | 122  | 1/2           | 2900    | 1\"/> <tr> <td>U-21</td> <td>"</td> <td>"</td> <td>V-675</td> <td>122</td> <td>1/2</td> <td>2900</td> <td>1\"/&gt;  <tr> <td>U-22</td> <td>"</td> <td>"</td> <td>V-675</td> <td>122</td> <td>1/2</td> <td>2900</td> <td>1\"/&gt;  <tr> <td>U-23</td> <td>"</td> <td>"</td> <td>V-675</td> <td>122</td> <td>1/2</td> <td>2900</td> <td>1\"/&gt;  <tr> <td>U-24</td> <td>"</td> <td>"</td> <td>V-675</td> <td>122</td> <td>1/2</td> <td>2900</td> <td>1\"/&gt;  <tr> <td>U-25</td> <td>"</td> <td>"</td> <td>V-675</td> <td>122</td> <td>1/2</td> <td>2900</td> <td>1\"/&gt;  <tr> <td>U-26</td> <td>"</td> <td>"</td> <td>V-675</td> <td>122</td> <td>1/2</td> <td>2900</td> <td>1\"/&gt;  <tr> <td>U-27</td> <td>"</td> <td>"</td> <td>V-675</td> <td>122</td> <td>1/2</td> <td>2900</td> <td>1\"/&gt;  <tr> <td>U-28</td> <td>"</td> <td>"</td> <td>V-675</td> <td>122</td> <td>1/2</td> <td>2900</td> <td>1\"/&gt;  <tr> <td>U-29</td> <td>"</td> <td>"</td> <td>V-675</td> <td>122</td> <td>1/2</td> <td>2900</td> <td>1\"/&gt;  <tr> <td>U-30</td> <td>"</td> <td>"</td> <td>V-675</td> <td>122</td> <td>1/2</td> <td>2900</td> <td>1\"/&gt;  <tr> <td>U-31</td> <td>"</td> <td>"</td> <td>V-675</td> <td>122</td> <td>1/2</td> <td>2900</td> <td>1\"/&gt;  <tr> <td>U-32</td> <td>"</td> <td>"</td> <td>V-675</td> <td>122</td> <td>1/2</td> <td>2900</td> <td>1\"/&gt;  <tr> <td>U-33</td> <td>"</td> <td>"</td> <td>V-675</td> <td>122</td> <td>1/2</td> <td>2900</td> <td>1\"/&gt;  <tr> <td>U-34</td> <td>"</td> <td>"</td> <td>V-675</td> <td>122</td> <td>1/2</td> <td>2900</td> <td>1\"/&gt;  <tr> <td>U-35</td> <td>"</td> <td>"</td> <td>V-675</td> <td>122</td> <td>1/2</td> <td>2900</td> <td>1\"/&gt;  <tr> <td>U-36</td> <td>"</td> <td>"</td> <td>V-675</td> <td>122</td> <td>1/2</td> <td>2900</td> <td>1\"/&gt;  <tr> <td>U-37</td> <td>"</td> <td>"</td> <td>V-675</td> <td>122</td> <td>1/2</td> <td>2900</td> <td>1\"/&gt;  <tr> <td>U-38</td> <td>"</td> <td>"</td> <td>V-675</td> <td>122</td> <td>1/2</td> <td>2900</td> <td>1\"/&gt;  <tr> <td>U-39</td> <td>"</td> <td>"</td> <td>V-675</td> <td>122</td> <td>1/2</td> <td>2900</td> <td>1\"/&gt;  <tr> <td>U-40</td> <td>"</td> <td>"</td> <td>V-675</td> <td>122</td> <td>1/2</td> <td>2900</td> <td>1\"/&gt;  <tr> <td>U-41</td> <td>"</td> <td>"</td> <td>V-675</td> <td>122</td> <td>1/2</td> <td>2900</td> <td>1\"/&gt;  <tr> <td>U-42</td> <td>"</td> <td>"</td> <td>V-675</td> <td>122</td> <td>1/2</td> <td>2900</td> <td>1\"/&gt;  <tr> <td>U-43</td> <td>"</td> <td>"</td> <td>V-675</td> <td>122</td> <td>1/2</td> <td>2900</td> <td>1\"/&gt;  <tr> <td>U-44</td> <td>"</td> <td>"</td> <td>V-675</td> <td>122</td> <td>1/2</td> <td>2900</td> <td>1\"/&gt;  <tr> <td>U-45</td> <td>"</td> <td>"</td> <td>V-675</td> <td>122</td> <td>1/2</td> <td>2900</td> <td>1\"/&gt;  <tr> <td>U-46</td> <td>"</td> <td>"</td> <td>V-675</td> <td>122</td> <td>1/2</td> <td>2900</td> <td>1\"/&gt;  <tr> <td>U-47</td> <td>"</td> <td>"</td> <td>V-675</td> <td>122</td> <td>1/2</td> <td>2900</td> <td>1\"/&gt;  <tr> <td>U-48</td> <td>"</td> <td>"</td> <td>V-675</td> <td>122</td> <td>1/2</td> <td>2900</td> <td>1\"/&gt;  <tr> <td>U-49</td> <td>"</td> <td>"</td> <td>V-675</td> <td>122</td> <td>1/2</td> <td>2900</td> <td>1\"/&gt;  <tr> <td>U-50</td> <td>"</td> <td>"</td> <td>V-675</td> <td>122</td> <td>1/2</td> <td>2900</td> <td>1\"/&gt;  </td></tr></td></tr></td></tr></td></tr></td></tr></td></tr></td></tr></td></tr></td></tr></td></tr></td></tr></td></tr></td></tr></td></tr></td></tr></td></tr></td></tr></td></tr></td></tr></td></tr></td></tr></td></tr></td></tr></td></tr></td></tr></td></tr></td></tr></td></tr></td></tr></td></tr>  | U-21 | " | " | V-675  | 122  | 1/2 | 2900   | 1\"/> <tr> <td>U-22</td> <td>"</td> <td>"</td> <td>V-675</td> <td>122</td> <td>1/2</td> <td>2900</td> <td>1\"/&gt;  <tr> <td>U-23</td> <td>"</td> <td>"</td> <td>V-675</td> <td>122</td> <td>1/2</td> <td>2900</td> <td>1\"/&gt;  <tr> <td>U-24</td> <td>"</td> <td>"</td> <td>V-675</td> <td>122</td> <td>1/2</td> <td>2900</td> <td>1\"/&gt;  <tr> <td>U-25</td> <td>"</td> <td>"</td> <td>V-675</td> <td>122</td> <td>1/2</td> <td>2900</td> <td>1\"/&gt;  <tr> <td>U-26</td> <td>"</td> <td>"</td> <td>V-675</td> <td>122</td> <td>1/2</td> <td>2900</td> <td>1\"/&gt;  <tr> <td>U-27</td> <td>"</td> <td>"</td> <td>V-675</td> <td>122</td> <td>1/2</td> <td>2900</td> <td>1\"/&gt;  <tr> <td>U-28</td> <td>"</td> <td>"</td> <td>V-675</td> <td>122</td> <td>1/2</td> <td>2900</td> <td>1\"/&gt;  <tr> <td>U-29</td> <td>"</td> <td>"</td> <td>V-675</td> <td>122</td> <td>1/2</td> <td>2900</td> <td>1\"/&gt;  <tr> <td>U-30</td> <td>"</td> <td>"</td> <td>V-675</td> <td>122</td> <td>1/2</td> <td>2900</td> <td>1\"/&gt;  <tr> <td>U-31</td> <td>"</td> <td>"</td> <td>V-675</td> <td>122</td> <td>1/2</td> <td>2900</td> <td>1\"/&gt;  <tr> <td>U-32</td> <td>"</td> <td>"</td> <td>V-675</td> <td>122</td> <td>1/2</td> <td>2900</td> <td>1\"/&gt;  <tr> <td>U-33</td> <td>"</td> <td>"</td> <td>V-675</td> <td>122</td> <td>1/2</td> <td>2900</td> <td>1\"/&gt;  <tr> <td>U-34</td> <td>"</td> <td>"</td> <td>V-675</td> <td>122</td> <td>1/2</td> <td>2900</td> <td>1\"/&gt;  <tr> <td>U-35</td> <td>"</td> <td>"</td> <td>V-675</td> <td>122</td> <td>1/2</td> <td>2900</td> <td>1\"/&gt;  <tr> <td>U-36</td> <td>"</td> <td>"</td> <td>V-675</td> <td>122</td> <td>1/2</td> <td>2900</td> <td>1\"/&gt;  <tr> <td>U-37</td> <td>"</td> <td>"</td> <td>V-675</td> <td>122</td> <td>1/2</td> <td>2900</td> <td>1\"/&gt;  <tr> <td>U-38</td> <td>"</td> <td>"</td> <td>V-675</td> <td>122</td> <td>1/2</td> <td>2900</td> <td>1\"/&gt;  <tr> <td>U-39</td> <td>"</td> <td>"</td> <td>V-675</td> <td>122</td> <td>1/2</td> <td>2900</td> <td>1\"/&gt;  <tr> <td>U-40</td> <td>"</td> <td>"</td> <td>V-675</td> <td>122</td> <td>1/2</td> <td>2900</td> <td>1\"/&gt;  <tr> <td>U-41</td> <td>"</td> <td>"</td> <td>V-675</td> <td>122</td> <td>1/2</td> <td>2900</td> <td>1\"/&gt;  <tr> <td>U-42</td> <td>"</td> <td>"</td> <td>V-675</td> <td>122</td> <td>1/2</td> <td>2900</td> <td>1\"/&gt;  <tr> <td>U-43</td> <td>"</td> <td>"</td> <td>V-675</td> <td>122</td> <td>1/2</td> <td>2900</td> <td>1\"/&gt;  <tr> <td>U-44</td> <td>"</td> <td>"</td> <td>V-675</td> <td>122</td> <td>1/2</td> <td>2900</td> <td>1\"/&gt;  <tr> <td>U-45</td> <td>"</td> <td>"</td> <td>V-675</td> <td>122</td> <td>1/2</td> <td>2900</td> <td>1\"/&gt;  <tr> <td>U-46</td> <td>"</td> <td>"</td> <td>V-675</td> <td>122</td> <td>1/2</td> <td>2900</td> <td>1\"/&gt;  <tr> <td>U-47</td> <td>"</td> <td>"</td> <td>V-675</td> <td>122</td> <td>1/2</td> <td>2900</td> <td>1\"/&gt;  <tr> <td>U-48</td> <td>"</td> <td>"</td> <td>V-675</td> <td>122</td> <td>1/2</td> <td>2900</td> <td>1\"/&gt;  <tr> <td>U-49</td> <td>"</td> <td>"</td> <td>V-675</td> <td>122</td> <td>1/2</td> <td>2900</td> <td>1\"/&gt;  <tr> <td>U-50</td> <td>"</td> <td>"</td> <td>V-675</td> <td>122</td> <td>1/2</td> <td>2900</td> <td>1\"/&gt; 
</td></tr></td></tr></td></tr></td></tr></td></tr></td></tr></td></tr></td></tr></td></tr></td></tr></td></tr></td></tr></td></tr></td></tr></td></tr></td></tr></td></tr></td></tr></td></tr></td></tr></td></tr></td></tr></td></tr></td></tr></td></tr></td></tr></td></tr></td></tr></td></tr>   | U-22 | " | " | V-675  | 122 | 1/2 | 2900   | 1\"/> <tr> <td>U-23</td> <td>"</td> <td>"</td> <td>V-675</td> <td>122</td> <td>1/2</td> <td>2900</td> <td>1\"/&gt;  <tr> <td>U-24</td> <td>"</td> <td>"</td> <td>V-675</td> <td>122</td> <td>1/2</td> <td>2900</td> <td>1\"/&gt;  <tr> <td>U-25</td> <td>"</td> <td>"</td> <td>V-675</td> <td>122</td> <td>1/2</td> <td>2900</td> <td>1\"/&gt;  <tr> <td>U-26</td> <td>"</td> <td>"</td> <td>V-675</td> <td>122</td> <td>1/2</td> <td>2900</td> <td>1\"/&gt;  <tr> <td>U-27</td> <td>"</td> <td>"</td> <td>V-675</td> <td>122</td> <td>1/2</td> <td>2900</td> <td>1\"/&gt;  <tr> <td>U-28</td> <td>"</td> <td>"</td> <td>V-675</td> <td>122</td> <td>1/2</td> <td>2900</td> <td>1\"/&gt;  <tr> <td>U-29</td> <td>"</td> <td>"</td> <td>V-675</td> <td>122</td> <td>1/2</td> <td>2900</td> <td>1\"/&gt;  <tr> <td>U-30</td> <td>"</td> <td>"</td> <td>V-675</td> <td>122</td> <td>1/2</td> <td>2900</td> <td>1\"/&gt;  <tr> <td>U-31</td> <td>"</td> <td>"</td> <td>V-675</td> <td>122</td> <td>1/2</td> <td>2900</td> <td>1\"/&gt;  <tr> <td>U-32</td> <td>"</td> <td>"</td> <td>V-675</td> <td>122</td> <td>1/2</td> <td>2900</td> <td>1\"/&gt;  <tr> <td>U-33</td> <td>"</td> <td>"</td> <td>V-675</td> <td>122</td> <td>1/2</td> <td>2900</td> <td>1\"/&gt;  <tr> <td>U-34</td> <td>"</td> <td>"</td> <td>V-675</td> <td>122</td> <td>1/2</td> <td>2900</td> <td>1\"/&gt;  <tr> <td>U-35</td> <td>"</td> <td>"</td> <td>V-675</td> <td>122</td> <td>1/2</td> <td>2900</td> <td>1\"/&gt;  <tr> <td>U-36</td> <td>"</td> <td>"</td> <td>V-675</td> <td>122</td> <td>1/2</td> <td>2900</td> <td>1\"/&gt;  <tr> <td>U-37</td> <td>"</td> <td>"</td> <td>V-675</td> <td>122</td> <td>1/2</td> <td>2900</td> <td>1\"/&gt;  <tr> <td>U-38</td> <td>"</td> <td>"</td> <td>V-675</td> <td>122</td> <td>1/2</td> <td>2900</td> <td>1\"/&gt;  <tr> <td>U-39</td> <td>"</td> <td>"</td> <td>V-675</td> <td>122</td> <td>1/2</td> <td>2900</td> <td>1\"/&gt;  <tr> <td>U-40</td> <td>"</td> <td>"</td> <td>V-675</td> <td>122</td> <td>1/2</td> <td>2900</td> <td>1\"/&gt;  <tr> <td>U-41</td> <td>"</td> <td>"</td> <td>V-675</td> <td>122</td> <td>1/2</td> <td>2900</td> <td>1\"/&gt;  <tr> <td>U-42</td> <td>"</td> <td>"</td> <td>V-675</td> <td>122</td> <td>1/2</td> <td>2900</td> <td>1\"/&gt;  <tr> <td>U-43</td> <td>"</td> <td>"</td> <td>V-675</td> <td>122</td> <td>1/2</td> <td>2900</td> <td>1\"/&gt;  <tr> <td>U-44</td> <td>"</td> <td>"</td> <td>V-675</td> <td>122</td> <td>1/2</td> <td>2900</td> <td>1\"/&gt;  <tr> <td>U-45</td> <td>"</td> <td>"</td> <td>V-675</td> <td>122</td> <td>1/2</td> <td>2900</td> <td>1\"/&gt;  <tr> <td>U-46</td> <td>"</td> <td>"</td> <td>V-675</td> <td>122</td> <td>1/2</td> <td>2900</td> <td>1\"/&gt;  <tr> <td>U-47</td> <td>"</td> <td>"</td> <td>V-675</td> <td>122</td> <td>1/2</td> <td>2900</td> <td>1\"/&gt;  <tr> <td>U-48</td> <td>"</td> <td>"</td> <td>V-675</td> <td>122</td> <td>1/2</td> <td>2900</td> <td>1\"/&gt;  <tr> <td>U-49</td> <td>"</td> <td>"</td> <td>V-675</td> <td>122</td> <td>1/2</td> <td>2900</td> <td>1\"/&gt;  <tr> <td>U-50</td> <td>"</td> <td>"</td> <td>V-675</td> <td>122</td> <td>1/2</td> <td>2900</td> <td>1\"/&gt;  </td></tr></td></tr></td></tr></td></tr></td></tr></td></tr></td></tr></td></tr></td></tr></td></tr></td></tr></td></tr></td></tr></td></tr></td></tr></td></tr></td></tr></td></tr></td></tr></td></tr></td></tr></td></tr></td></tr></td></tr></td></tr></td></tr></td></tr></td></tr>   | U-23 | " | " | V-675 | 122 | 1/2 | 2900    | 1\"/> <tr> <td>U-24</td> <td>"</td> <td>"</td> <td>V-675</td> <td>122</td> <td>1/2</td> <td>2900</td> <td>1\"/&gt;  <tr> <td>U-25</td> <td>"</td> <td>"</td> <td>V-675</td> <td>122</td> <td>1/2</td> <td>2900</td> <td>1\"/&gt;  <tr> <td>U-26</td> <td>"</td> <td>"</td> <td>V-675</td> <td>122</td> <td>1/2</td> <td>2900</td> <td>1\"/&gt;  <tr> <td>U-27</td> <td>"</td> <td>"</td> <td>V-675</td> <td>122</td> <td>1/2</td> <td>2900</td> <td>1\"/&gt;  <tr> <td>U-28</td> <td>"</td> <td>"</td> <td>V-675</td> <td>122</td> <td>1/2</td> <td>2900</td> <td>1\"/&gt;  <tr> <td>U-29</td> <td>"</td> <td>"</td> <td>V-675</td> <td>122</td> <td>1/2</td> <td>2900</td> <td>1\"/&gt;  <tr> <td>U-30</td> <td>"</td> <td>"</td> <td>V-675</td> <td>122</td> <td>1/2</td> <td>2900</td> <td>1\"/&gt;  <tr> <td>U-31</td> <td>"</td> <td>"</td> <td>V-675</td> <td>122</td> <td>1/2</td> <td>2900</td> <td>1\"/&gt;  <tr> <td>U-32</td> <td>"</td> <td>"</td> <td>V-675</td> <td>122</td> <td>1/2</td> <td>2900</td> <td>1\"/&gt;  <tr> <td>U-33</td> <td>"</td> <td>"</td> <td>V-675</td> <td>122</td> <td>1/2</td> <td>2900</td> <td>1\"/&gt;  <tr> <td>U-34</td> <td>"</td> <td>"</td> <td>V-675</td> <td>122</td> <td>1/2</td> <td>2900</td> <td>1\"/&gt;  <tr> <td>U-35</td> <td>"</td> <td>"</td> <td>V-675</td> <td>122</td> <td>1/2</td> <td>2900</td> <td>1\"/&gt;  <tr> <td>U-36</td> <td>"</td> <td>"</td> <td>V-675</td> <td>122</td> <td>1/2</td> <td>2900</td> <td>1\"/&gt;  <tr> <td>U-37</td> <td>"</td> <td>"</td> <td>V-675</td> <td>122</td> <td>1/2</td> <td>2900</td> <td>1\"/&gt;  <tr> <td>U-38</td> <td>"</td> <td>"</td> <td>V-675</td> <td>122</td> <td>1/2</td> <td>2900</td> <td>1\"/&gt;  <tr> <td>U-39</td> <td>"</td> <td>"</td>
<td>V-675</td> <td>122</td> <td>1/2</td> <td>2900</td> <td>1\"/&gt;  <tr> <td>U-40</td> <td>"</td> <td>"</td> <td>V-675</td> <td>122</td> <td>1/2</td> <td>2900</td> <td>1\"/&gt;  <tr> <td>U-41</td> <td>"</td> <td>"</td> <td>V-675</td> <td>122</td> <td>1/2</td> <td>2900</td> <td>1\"/&gt;  <tr> <td>U-42</td> <td>"</td> <td>"</td> <td>V-675</td> <td>122</td> <td>1/2</td> <td>2900</td> <td>1\"/&gt;  <tr> <td>U-43</td> <td>"</td> <td>"</td> <td>V-675</td> <td>122</td> <td>1/2</td> <td>2900</td> <td>1\"/&gt;  <tr> <td>U-44</td> <td>"</td> <td>"</td> <td>V-675</td> <td>122</td> <td>1/2</td> <td>2900</td> <td>1\"/&gt;  <tr> <td>U-45</td> <td>"</td> <td>"</td> <td>V-675</td> <td>122</td> <td>1/2</td> <td>2900</td> <td>1\"/&gt;  <tr> <td>U-46</td> <td>"</td> <td>"</td> <td>V-675</td> <td>122</td> <td>1/2</td> <td>2900</td> <td>1\"/&gt;  <tr> <td>U-47</td> <td>"</td> <td>"</td> <td>V-675</td> <td>122</td> <td>1/2</td> <td>2900</td> <td>1\"/&gt;  <tr> <td>U-48</td> <td>"</td> <td>"</td> <td>V-675</td> <td>122</td> <td>1/2</td> <td>2900</td> <td>1\"/&gt;  <tr> <td>U-49</td> <td>"</td> <td>"</td> <td>V-675</td> <td>122</td> <td>1/2</td> <td>2900</td> <td>1\"/&gt;  <tr> <td>U-50</td> <td>"</td> <td>"</td> <td>V-675</td> <td>122</td> <td>1/2</td> <td>2900</td> <td>1\"/&gt;  </td></tr></td></tr></td></tr></td></tr></td></tr></td></tr></td></tr></td></tr></td></tr></td></tr></td></tr></td></tr></td></tr></td></tr></td></tr></td></tr></td></tr></td></tr></td></tr></td></tr></td></tr></td></tr></td></tr></td></tr></td></tr></td></tr></td></tr>  | U-24 | " | " | V-675 | 122 | 1/2 | 2900   | 1\"/> <tr> <td>U-25</td> <td>"</td> <td>"</td> <td>V-675</td> <td>122</td> <td>1/2</td> <td>2900</td> <td>1\"/&gt;  <tr> <td>U-26</td> <td>"</td> <td>"</td> <td>V-675</td> <td>122</td> <td>1/2</td> <td>2900</td> <td>1\"/&gt;  <tr> <td>U-27</td> <td>"</td> <td>"</td> <td>V-675</td> <td>122</td> <td>1/2</td> <td>2900</td> <td>1\"/&gt;  <tr> <td>U-28</td> <td>"</td> <td>"</td> <td>V-675</td> <td>122</td> <td>1/2</td> <td>2900</td> <td>1\"/&gt;  <tr> <td>U-29</td> <td>"</td> <td>"</td> <td>V-675</td> <td>122</td> <td>1/2</td> <td>2900</td> <td>1\"/&gt;  <tr> <td>U-30</td> <td>"</td> <td>"</td> <td>V-675</td> <td>122</td> <td>1/2</td> <td>2900</td> <td>1\"/&gt;  <tr> <td>U-31</td> <td>"</td> <td>"</td> <td>V-675</td> <td>122</td> <td>1/2</td> <td>2900</td> <td>1\"/&gt;  <tr> <td>U-32</td> <td>"</td> <td>"</td> <td>V-675</td> <td>122</td> <td>1/2</td> <td>2900</td> <td>1\"/&gt;  <tr> <td>U-33</td> <td>"</td> <td>"</td> <td>V-675</td> <td>122</td> <td>1/2</td> <td>2900</td> <td>1\"/&gt;  <tr> <td>U-34</td> <td>"</td> <td>"</td> <td>V-675</td> <td>122</td> <td>1/2</td> <td>2900</td> <td>1\"/&gt;  <tr> <td>U-35</td> <td>"</td> <td>"</td> <td>V-675</td> <td>122</td> <td>1/2</td> <td>2900</td> <td>1\"/&gt;  <tr> <td>U-36</td> <td>"</td> <td>"</td> <td>V-675</td> <td>122</td> <td>1/2</td> <td>2900</td> <td>1\"/&gt;  <tr> <td>U-37</td> <td>"</td> <td>"</td> <td>V-675</td> <td>122</td> <td>1/2</td> <td>2900</td> <td>1\"/&gt;  <tr> <td>U-38</td> <td>"</td> <td>"</td> <td>V-675</td> <td>122</td> <td>1/2</td> <td>2900</td> <td>1\"/&gt;  <tr> <td>U-39</td> <td>"</td> <td>"</td> <td>V-675</td> <td>122</td> <td>1/2</td> <td>2900</td> <td>1\"/&gt;  <tr> <td>U-40</td> <td>"</td> <td>"</td> <td>V-675</td> <td>122</td> <td>1/2</td> <td>2900</td> <td>1\"/&gt;  <tr> <td>U-41</td> <td>"</td> <td>"</td> <td>V-675</td> <td>122</td> <td>1/2</td> <td>2900</td> <td>1\"/&gt;  <tr> <td>U-42</td> <td>"</td> <td>"</td> <td>V-675</td> <td>122</td> <td>1/2</td> <td>2900</td> <td>1\"/&gt;  <tr> <td>U-43</td> <td>"</td> <td>"</td> <td>V-675</td> <td>122</td> <td>1/2</td> <td>2900</td> <td>1\"/&gt;  <tr> <td>U-44</td> <td>"</td> <td>"</td> <td>V-675</td> <td>122</td> <td>1/2</td> <td>2900</td> <td>1\"/&gt;  <tr> <td>U-45</td> <td>"</td> <td>"</td> <td>V-675</td> <td>122</td> <td>1/2</td> <td>2900</td> <td>1\"/&gt;  <tr> <td>U-46</td> <td>"</td> <td>"</td> <td>V-675</td> <td>122</td> <td>1/2</td> <td>2900</td> <td>1\"/&gt;  <tr> <td>U-47</td> <td>"</td> <td>"</td> <td>V-675</td> <td>122</td> <td>1/2</td> <td>2900</td> <td>1\"/&gt;  <tr> <td>U-48</td> <td>"</td> <td>"</td> <td>V-675</td> <td>122</td> <td>1/2</td> <td>2900</td> <td>1\"/&gt;  <tr> <td>U-49</td> <td>"</td> <td>"</td> <td>V-675</td> <td>122</td> <td>1/2</td> <td>2900</td> <td>1\"/&gt;  <tr> <td>U-50</td> <td>"</td> <td>"</td> <td>V-675</td> <td>122</td> <td>1/2</td> <td>2900</td> <td>1\"/&gt;  </td></tr></td></tr></td></tr></td></tr></td></tr></td></tr></td></tr></td></tr></td></tr></td></tr></td></tr></td></tr></td></tr></td></tr></td></tr></td></tr></td></tr></td></tr></td></tr></td></tr></td></tr></td></tr></td></tr></td></tr></td></tr></td></tr>   | U-25 | " | " | V-675 | 122 | 1/2 | 2900    | 1\"/> <tr> <td>U-26</td> <td>"</td> <td>"</td> <td>V-675</td> <td>122</td> <td>1/2</td> <td>2900</td> <td>1\"/&gt;  <tr> <td>U-27</td> <td>"</td> <td>"</td> <td>V-675</td> <td>122</td> <td>1/2</td> <td>2900</td> <td>1\"/&gt;  <tr> <td>U-28</td> <td>"</td> <td>"</td> <td>V-675</td> <td>122</td> <td>1/2</td> <td>2900</td> <td>1\"/&gt;  <tr> <td>U-29</td> <td>"</td> <td>"</td> <td>V-675</td> <td>122</td> <td>1/2</td> <td>2900</td> <td>1\"/&gt;  <tr> <td>U-30</td> <td>"</td> <td>"</td> <td>V-675</td> <td>122</td> <td>1/2</td> <td>2900</td> <td>1\"/&gt;  <tr> <td>U-31</td> <td>"</td> <td>"</td> <td>V-675</td> <td>122</td> <td>1/2</td> <td>2900</td> <td>1\"/&gt;  <tr>
<td>U-32</td> <td>"</td> <td>"</td> <td>V-675</td> <td>122</td> <td>1/2</td> <td>2900</td> <td>1\"/&gt;  <tr> <td>U-33</td> <td>"</td> <td>"</td> <td>V-675</td> <td>122</td> <td>1/2</td> <td>2900</td> <td>1\"/&gt;  <tr> <td>U-34</td> <td>"</td> <td>"</td> <td>V-675</td> <td>122</td> <td>1/2</td> <td>2900</td> <td>1\"/&gt;  <tr> <td>U-35</td> <td>"</td> <td>"</td> <td>V-675</td> <td>122</td> <td>1/2</td> <td>2900</td> <td>1\"/&gt;  <tr> <td>U-36</td> <td>"</td> <td>"</td> <td>V-675</td> <td>122</td> <td>1/2</td> <td>2900</td> <td>1\"/&gt;  <tr> <td>U-37</td> <td>"</td> <td>"</td> <td>V-675</td> <td>122</td> <td>1/2</td> <td>2900</td> <td>1\"/&gt;  <tr> <td>U-38</td> <td>"</td> <td>"</td> <td>V-675</td> <td>122</td> <td>1/2</td> <td>2900</td> <td>1\"/&gt;  <tr> <td>U-39</td> <td>"</td> <td>"</td> <td>V-675</td> <td>122</td> <td>1/2</td> <td>2900</td> <td>1\"/&gt;  <tr> <td>U-40</td> <td>"</td> <td>"</td> <td>V-675</td> <td>122</td> <td>1/2</td> <td>2900</td> <td>1\"/&gt;  <tr> <td>U-41</td> <td>"</td> <td>"</td> <td>V-675</td> <td>122</td> <td>1/2</td> <td>2900</td> <td>1\"/&gt;  <tr> <td>U-42</td> <td>"</td> <td>"</td> <td>V-675</td> <td>122</td> <td>1/2</td> <td>2900</td> <td>1\"/&gt;  <tr> <td>U-43</td> <td>"</td> <td>"</td> <td>V-675</td> <td>122</td> <td>1/2</td> <td>2900</td> <td>1\"/&gt;  <tr> <td>U-44</td> <td>"</td> <td>"</td> <td>V-675</td> <td>122</td> <td>1/2</td> <td>2900</td> <td>1\"/&gt;  <tr> <td>U-45</td> <td>"</td> <td>"</td> <td>V-675</td> <td>122</td> <td>1/2</td> <td>2900</td> <td>1\"/&gt;  <tr> <td>U-46</td> <td>"</td> <td>"</td> <td>V-675</td> <td>122</td> <td>1/2</td> <td>2900</td> <td>1\"/&gt;  <tr> <td>U-47</td> <td>"</td> <td>"</td> <td>V-675</td> <td>122</td> <td>1/2</td> <td>2900</td> <td>1\"/&gt;  <tr> <td>U-48</td> <td>"</td> <td>"</td> <td>V-675</td> <td>122</td> <td>1/2</td> <td>2900</td> <td>1\"/&gt;  <tr> <td>U-49</td> <td>"</td> <td>"</td> <td>V-675</td> <td>122</td> <td>1/2</td> <td>2900</td> <td>1\"/&gt;  <tr> <td>U-50</td> <td>"</td> <td>"</td> <td>V-675</td> <td>122</td> <td>1/2</td> <td>2900</td> <td>1\"/&gt;  </td></tr></td></tr></td></tr></td></tr></td></tr></td></tr></td></tr></td></tr></td></tr></td></tr></td></tr></td></tr></td></tr></td></tr></td></tr></td></tr></td></tr></td></tr></td></tr></td></tr></td></tr></td></tr></td></tr></td></tr></td></tr>  | U-26 | "           | "      | V-675  | 122  | 1/2 | 2900 | 1\"/> <tr> <td>U-27</td> <td>"</td> <td>"</td> <td>V-675</td> <td>122</td> <td>1/2</td> <td>2900</td> <td>1\"/&gt;  <tr> <td>U-28</td> <td>"</td> <td>"</td> <td>V-675</td> <td>122</td> <td>1/2</td> <td>2900</td> <td>1\"/&gt;  <tr> <td>U-29</td> <td>"</td> <td>"</td> <td>V-675</td> <td>122</td> <td>1/2</td> <td>2900</td> <td>1\"/&gt;  <tr> <td>U-30</td> <td>"</td> <td>"</td> <td>V-675</td> <td>122</td> <td>1/2</td> <td>2900</td> <td>1\"/&gt;  <tr> <td>U-31</td> <td>"</td> <td>"</td> <td>V-675</td> <td>122</td> <td>1/2</td> <td>2900</td> <td>1\"/&gt;  <tr> <td>U-32</td> <td>"</td> <td>"</td> <td>V-675</td> <td>122</td> <td>1/2</td> <td>2900</td> <td>1\"/&gt;  <tr> <td>U-33</td> <td>"</td> <td>"</td> <td>V-675</td> <td>122</td> <td>1/2</td> <td>2900</td> <td>1\"/&gt;  <tr> <td>U-34</td> <td>"</td> <td>"</td> <td>V-675</td> <td>122</td> <td>1/2</td> <td>2900</td> <td>1\"/&gt;  <tr> <td>U-35</td> <td>"</td> <td>"</td> <td>V-675</td> <td>122</td> <td>1/2</td> <td>2900</td> <td>1\"/&gt;  <tr> <td>U-36</td> <td>"</td> <td>"</td> <td>V-675</td> <td>122</td> <td>1/2</td> <td>2900</td> <td>1\"/&gt;  <tr> <td>U-37</td> <td>"</td> <td>"</td> <td>V-675</td> <td>122</td> <td>1/2</td> <td>2900</td> <td>1\"/&gt;  <tr> <td>U-38</td> <td>"</td> <td>"</td> <td>V-675</td> <td>122</td> <td>1/2</td> <td>2900</td> <td>1\"/&gt;  <tr> <td>U-39</td> <td>"</td> <td>"</td> <td>V-675</td> <td>122</td> <td>1/2</td> <td>2900</td> <td>1\"/&gt;  <tr> <td>U-40</td> <td>"</td> <td>"</td> <td>V-675</td> <td>122</td> <td>1/2</td> <td>2900</td> <td>1\"/&gt;  <tr> <td>U-41</td> <td>"</td> <td>"</td> <td>V-675</td> <td>122</td> <td>1/2</td> <td>2900</td> <td>1\"/&gt;  <tr> <td>U-42</td> <td>"</td> <td>"</td> <td>V-675</td> <td>122</td> <td>1/2</td> <td>2900</td> <td>1\"/&gt;  <tr> <td>U-43</td> <td>"</td> <td>"</td> <td>V-675</td> <td>122</td> <td>1/2</td> <td>2900</td> <td>1\"/&gt;  <tr> <td>U-44</td> <td>"</td> <td>"</td> <td>V-675</td> <td>122</td> <td>1/2</td> <td>2900</td> <td>1\"/&gt;  <tr> <td>U-45</td> <td>"</td> <td>"</td> <td>V-675</td> <td>122</td> <td>1/2</td> <td>2900</td> <td>1\"/&gt;  <tr> <td>U-46</td> <td>"</td> <td>"</td> <td>V-675</td> <td>122</td> <td>1/2</td> <td>2900</td> <td>1\"/&gt;  <tr> <td>U-47</td> <td>"</td> <td>"</td> <td>V-675</td> <td>122</td> <td>1/2</td> <td>2900</td> <td>1\"/&gt;  <tr> <td>U-48</td> <td>"</td> <td>"</td> <td>V-675</td> <td>122</td> <td>1/2</td> <td>2900</td> <td>1\"/&gt;  <tr> <td>U-49</td> <td>"</td> <td>"</td> <td>V-675</td> <td>122</td> <td>1/2</td> <td>2900</td> <td>1\"/&gt;  <tr> <td>U-50</td> <td>"</td> <td>"</td> <td>V-675</td> <td>122</td> <td>1/2</td> <td>2900</td> <td>1\"/&gt;  </td></tr></td></tr></td></tr></td></tr></td></tr></td></tr></td></tr></td></tr></td></tr></td></tr></td></tr></td></tr></td></tr></td></tr></td></tr></td></tr></td></tr></td></tr></td></tr></td></tr></td></tr></td></tr></td></tr></td></tr>   
  | U-27 | " | " | V-675  | 122  | 1/2 | 2900 | 1\"/> <tr> <td>U-28</td> <td>"</td> <td>"</td> <td>V-675</td> <td>122</td> <td>1/2</td> <td>2900</td> <td>1\"/&gt;  <tr> <td>U-29</td> <td>"</td> <td>"</td> <td>V-675</td> <td>122</td> <td>1/2</td> <td>2900</td> <td>1\"/&gt;  <tr> <td>U-30</td> <td>"</td> <td>"</td> <td>V-675</td> <td>122</td> <td>1/2</td> <td>2900</td> <td>1\"/&gt;  <tr> <td>U-31</td> <td>"</td> <td>"</td> <td>V-675</td> <td>122</td> <td>1/2</td> <td>2900</td> <td>1\"/&gt;  <tr> <td>U-32</td> <td>"</td> <td>"</td> <td>V-675</td> <td>122</td> <td>1/2</td> <td>2900</td> <td>1\"/&gt;  <tr> <td>U-33</td> <td>"</td> <td>"</td> <td>V-675</td> <td>122</td> <td>1/2</td> <td>2900</td> <td>1\"/&gt;  <tr> <td>U-34</td> <td>"</td> <td>"</td> <td>V-675</td> <td>122</td> <td>1/2</td> <td>2900</td> <td>1\"/&gt;  <tr> <td>U-35</td> <td>"</td> <td>"</td> <td>V-675</td> <td>122</td> <td>1/2</td> <td>2900</td> <td>1\"/&gt;  <tr> <td>U-36</td> <td>"</td> <td>"</td> <td>V-675</td> <td>122</td> <td>1/2</td> <td>2900</td> <td>1\"/&gt;  <tr> <td>U-37</td> <td>"</td> <td>"</td> <td>V-675</td> <td>122</td> <td>1/2</td> <td>2900</td> <td>1\"/&gt;  <tr> <td>U-38</td> <td>"</td> <td>"</td> <td>V-675</td> <td>122</td> <td>1/2</td> <td>2900</td> <td>1\"/&gt;  <tr> <td>U-39</td> <td>"</td> <td>"</td> <td>V-675</td> <td>122</td> <td>1/2</td> <td>2900</td> <td>1\"/&gt;  <tr> <td>U-40</td> <td>"</td> <td>"</td> <td>V-675</td> <td>122</td> <td>1/2</td> <td>2900</td> <td>1\"/&gt;  <tr> <td>U-41</td> <td>"</td> <td>"</td> <td>V-675</td> <td>122</td> <td>1/2</td> <td>2900</td> <td>1\"/&gt;  <tr> <td>U-42</td> <td>"</td> <td>"</td> <td>V-675</td> <td>122</td> <td>1/2</td> <td>2900</td> <td>1\"/&gt;  <tr> <td>U-43</td> <td>"</td> <td>"</td> <td>V-675</td> <td>122</td> <td>1/2</td> <td>2900</td> <td>1\"/&gt;  <tr> <td>U-44</td> <td>"</td> <td>"</td> <td>V-675</td> <td>122</td> <td>1/2</td> <td>2900</td> <td>1\"/&gt;  <tr> <td>U-45</td> <td>"</td> <td>"</td> <td>V-675</td> <td>122</td> <td>1/2</td> <td>2900</td> <td>1\"/&gt;  <tr> <td>U-46</td> <td>"</td> <td>"</td> <td>V-675</td> <td>122</td> <td>1/2</td> <td>2900</td> <td>1\"/&gt;  <tr> <td>U-47</td> <td>"</td> <td>"</td> <td>V-675</td> <td>122</td> <td>1/2</td> <td>2900</td> <td>1\"/&gt;  <tr> <td>U-48</td> <td>"</td> <td>"</td> <td>V-675</td> <td>122</td> <td>1/2</td> <td>2900</td> <td>1\"/&gt;  <tr> <td>U-49</td> <td>"</td> <td>"</td> <td>V-675</td> <td>122</td> <td>1/2</td> <td>2900</td> <td>1\"/&gt;  <tr> <td>U-50</td> <td>"</td> <td>"</td> <td>V-675</td> <td>122</td> <td>1/2</td> <td>2900</td> <td>1\"/&gt;  </td></tr></td></tr></td></tr></td></tr></td></tr></td></tr></td></tr></td></tr></td></tr></td></tr></td></tr></td></tr></td></tr></td></tr></td></tr></td></tr></td></tr></td></tr></td></tr></td></tr></td></tr></td></tr></td></tr>   | U-28 | " | " | V-675  | 122 | 1/2 | 2900 | 1\"/> <tr> <td>U-29</td> <td>"</td> <td>"</td> <td>V-675</td> <td>122</td> <td>1/2</td> <td>2900</td> <td>1\"/&gt;  <tr> <td>U-30</td> <td>"</td> <td>"</td> <td>V-675</td> <td>122</td> <td>1/2</td> <td>2900</td> <td>1\"/&gt;  <tr> <td>U-31</td> <td>"</td> <td>"</td> <td>V-675</td> <td>122</td> <td>1/2</td> <td>2900</td> <td>1\"/&gt;  <tr> <td>U-32</td> <td>"</td> <td>"</td> <td>V-675</td> <td>122</td> <td>1/2</td> <td>2900</td> <td>1\"/&gt;  <tr> <td>U-33</td> <td>"</td> <td>"</td> <td>V-675</td> <td>122</td> <td>1/2</td> <td>2900</td> <td>1\"/&gt;  <tr> <td>U-34</td> <td>"</td> <td>"</td> <td>V-675</td> <td>122</td> <td>1/2</td> <td>2900</td> <td>1\"/&gt;  <tr> <td>U-35</td> <td>"</td> <td>"</td> <td>V-675</td> <td>122</td> <td>1/2</td> <td>2900</td> <td>1\"/&gt;  <tr> <td>U-36</td> <td>"</td> <td>"</td> <td>V-675</td> <td>122</td> <td>1/2</td> <td>2900</td> <td>1\"/&gt;  <tr> <td>U-37</td> <td>"</td> <td>"</td> <td>V-675</td> <td>122</td> <td>1/2</td> <td>2900</td> <td>1\"/&gt;  <tr> <td>U-38</td> <td>"</td> <td>"</td> <td>V-675</td> <td>122</td> <td>1/2</td> <td>2900</td> <td>1\"/&gt;  <tr> <td>U-39</td> <td>"</td> <td>"</td> <td>V-675</td> <td>122</td> <td>1/2</td> <td>2900</td> <td>1\"/&gt;  <tr> <td>U-40</td> <td>"</td> <td>"</td> <td>V-675</td> <td>122</td> <td>1/2</td> <td>2900</td> <td>1\"/&gt;  <tr> <td>U-41</td> <td>"</td> <td>"</td> <td>V-675</td> <td>122</td> <td>1/2</td> <td>2900</td> <td>1\"/&gt;  <tr> <td>U-42</td> <td>"</td> <td>"</td> <td>V-675</td> <td>122</td> <td>1/2</td> <td>2900</td> <td>1\"/&gt;  <tr> <td>U-43</td> <td>"</td> <td>"</td> <td>V-675</td> <td>122</td> <td>1/2</td> <td>2900</td> <td>1\"/&gt;  <tr> <td>U-44</td> <td>"</td> <td>"</td> <td>V-675</td> <td>122</td> <td>1/2</td> <td>2900</td> <td>1\"/&gt;  <tr> <td>U-45</td> <td>"</td> <td>"</td> <td>V-675</td> <td>122</td> <td>1/2</td> <td>2900</td> <td>1\"/&gt;  <tr> <td>U-46</td> <td>"</td> <td>"</td> <td>V-675</td> <td>122</td> <td>1/2</td> <td>2900</td> <td>1\"/&gt;  <tr> <td>U-47</td> <td>"</td> <td>"</td> <td>V-675</td> <td>122</td> <td>1/2</td> <td>2900</td> <td>1\"/&gt;  <tr> <td>U-48</td> <td>"</td> <td>"</td> <td>V-675</td> <td>122</td> <td>1/2</td> <td>2900</td> <td>1\"/&gt;  <tr> <td>U-49</td> <td>"</td> <td>"</td> <td>V-675</td> <td>122</td> <td>1/2</td> <td>2900</td> <td>1\"/&gt;  <tr> <td>U-50</td> <td>"</td> <td>"</td> <td>V-675</td> <td>122</td> <td>1/2</td> <td>2900</td> <td>1\"/&gt;  </td></tr></td></tr></td></tr></td></tr></td></tr></td></tr></td></tr></td></tr></td></tr></td></tr></td></tr></td></tr></td></tr></td></tr></td></tr></td></tr></td></tr></td></tr></td></tr></td></tr></td></tr></td></tr>   
   | U-29 | " | " | V-675 | 122 | 1/2 | 2900 | 1\"/> <tr> <td>U-30</td> <td>"</td> <td>"</td> <td>V-675</td> <td>122</td> <td>1/2</td> <td>2900</td> <td>1\"/&gt;  <tr> <td>U-31</td> <td>"</td> <td>"</td> <td>V-675</td> <td>122</td> <td>1/2</td> <td>2900</td> <td>1\"/&gt;  <tr> <td>U-32</td> <td>"</td> <td>"</td> <td>V-675</td> <td>122</td> <td>1/2</td> <td>2900</td> <td>1\"/&gt;  <tr> <td>U-33</td> <td>"</td> <td>"</td> <td>V-675</td> <td>122</td> <td>1/2</td> <td>2900</td> <td>1\"/&gt;  <tr> <td>U-34</td> <td>"</td> <td>"</td> <td>V-675</td> <td>122</td> <td>1/2</td> <td>2900</td> <td>1\"/&gt;  <tr> <td>U-35</td> <td>"</td> <td>"</td> <td>V-675</td> <td>122</td> <td>1/2</td> <td>2900</td> <td>1\"/&gt;  <tr> <td>U-36</td> <td>"</td> <td>"</td> <td>V-675</td> <td>122</td> <td>1/2</td> <td>2900</td> <td>1\"/&gt;  <tr> <td>U-37</td> <td>"</td> <td>"</td> <td>V-675</td> <td>122</td> <td>1/2</td> <td>2900</td> <td>1\"/&gt;  <tr> <td>U-38</td> <td>"</td> <td>"</td> <td>V-675</td> <td>122</td> <td>1/2</td> <td>2900</td> <td>1\"/&gt;  <tr> <td>U-39</td> <td>"</td> <td>"</td> <td>V-675</td> <td>122</td> <td>1/2</td> <td>2900</td> <td>1\"/&gt;  <tr> <td>U-40</td> <td>"</td> <td>"</td> <td>V-675</td> <td>122</td> <td>1/2</td> <td>2900</td> <td>1\"/&gt;  <tr> <td>U-41</td> <td>"</td> <td>"</td> <td>V-675</td> <td>122</td> <td>1/2</td> <td>2900</td> <td>1\"/&gt;  <tr> <td>U-42</td> <td>"</td> <td>"</td> <td>V-675</td> <td>122</td> <td>1/2</td> <td>2900</td> <td>1\"/&gt;  <tr> <td>U-43</td> <td>"</td> <td>"</td> <td>V-675</td> <td>122</td> <td>1/2</td> <td>2900</td> <td>1\"/&gt;  <tr> <td>U-44</td> <td>"</td> <td>"</td> <td>V-675</td> <td>122</td> <td>1/2</td> <td>2900</td> <td>1\"/&gt;  <tr> <td>U-45</td> <td>"</td> <td>"</td> <td>V-675</td> <td>122</td> <td>1/2</td> <td>2900</td> <td>1\"/&gt;  <tr> <td>U-46</td> <td>"</td> <td>"</td> <td>V-675</td> <td>122</td> <td>1/2</td> <td>2900</td> <td>1\"/&gt;  <tr> <td>U-47</td> <td>"</td> <td>"</td> <td>V-675</td> <td>122</td> <td>1/2</td> <td>2900</td> <td>1\"/&gt;  <tr> <td>U-48</td> <td>"</td> <td>"</td> <td>V-675</td> <td>122</td> <td>1/2</td> <td>2900</td> <td>1\"/&gt;  <tr> <td>U-49</td> <td>"</td> <td>"</td> <td>V-675</td> <td>122</td> <td>1/2</td> <td>2900</td> <td>1\"/&gt;  <tr> <td>U-50</td> <td>"</td> <td>"</td> <td>V-675</td> <td>122</td> <td>1/2</td> <td>2900</td> <td>1\"/&gt;  </td></tr></td></tr></td></tr></td></tr></td></tr></td></tr></td></tr></td></tr></td></tr></td></tr></td></tr></td></tr></td></tr></td></tr></td></tr></td></tr></td></tr></td></tr></td></tr></td></tr></td></tr>  | U-30 | " | " | V-675 | 122 | 1/2 | 2900 | 1\"/> <tr> <td>U-31</td> <td>"</td> <td>"</td> <td>V-675</td> <td>122</td> <td>1/2</td> <td>2900</td> <td>1\"/&gt;  <tr> <td>U-32</td> <td>"</td> <td>"</td> <td>V-675</td> <td>122</td> <td>1/2</td> <td>2900</td> <td>1\"/&gt;  <tr> <td>U-33</td> <td>"</td> <td>"</td> <td>V-675</td> <td>122</td> <td>1/2</td> <td>2900</td> <td>1\"/&gt;  <tr> <td>U-34</td> <td>"</td> <td>"</td> <td>V-675</td> <td>122</td> <td>1/2</td> <td>2900</td> <td>1\"/&gt;  <tr> <td>U-35</td> <td>"</td> <td>"</td> <td>V-675</td> <td>122</td> <td>1/2</td> <td>2900</td> <td>1\"/&gt;  <tr> <td>U-36</td> <td>"</td> <td>"</td> <td>V-675</td> <td>122</td> <td>1/2</td> <td>2900</td> <td>1\"/&gt;  <tr> <td>U-37</td> <td>"</td> <td>"</td> <td>V-675</td> <td>122</td> <td>1/2</td> <td>2900</td> <td>1\"/&gt;  <tr> <td>U-38</td> <td>"</td> <td>"</td> <td>V-675</td> <td>122</td> <td>1/2</td> <td>2900</td> <td>1\"/&gt;  <tr> <td>U-39</td> <td>"</td> <td>"</td> <td>V-675</td> <td>122</td> <td>1/2</td> <td>2900</td> <td>1\"/&gt;  <tr> <td>U-40</td> <td>"</td> <td>"</td> <td>V-675</td> <td>122</td> <td>1/2</td> <td>2900</td> <td>1\"/&gt;  <tr> <td>U-41</td> <td>"</td> <td>"</td> <td>V-675</td> <td>122</td> <td>1/2</td> <td>2900</td> <td>1\"/&gt;  <tr> <td>U-42</td> <td>"</td> <td>"</td> <td>V-675</td> <td>122</td> <td>1/2</td> <td>2900</td> <td>1\"/&gt;  <tr> <td>U-43</td> <td>"</td> <td>"</td> <td>V-675</td> <td>122</td> <td>1/2</td> <td>2900</td> <td>1\"/&gt;  <tr> <td>U-44</td> <td>"</td> <td>"</td> <td>V-675</td> <td>122</td> <td>1/2</td> <td>2900</td> <td>1\"/&gt;  <tr> <td>U-45</td> <td>"</td> <td>"</td> <td>V-675</td> <td>122</td> <td>1/2</td> <td>2900</td> <td>1\"/&gt;  <tr> <td>U-46</td> <td>"</td> <td>"</td> <td>V-675</td> <td>122</td> <td>1/2</td> <td>2900</td> <td>1\"/&gt;  <tr> <td>U-47</td> <td>"</td> <td>"</td> <td>V-675</td> <td>122</td> <td>1/2</td> <td>2900</td> <td>1\"/&gt;  <tr> <td>U-48</td> <td>"</td> <td>"</td> <td>V-675</td> <td>122</td> <td>1/2</td> <td>2900</td> <td>1\"/&gt;  <tr> <td>U-49</td> <td>"</td> <td>"</td> <td>V-675</td> <td>122</td> <td>1/2</td> <td>2900</td> <td>1\"/&gt;  <tr> <td>U-50</td> <td>"</td> <td>"</td> <td>V-675</td> <td>122</td> <td>1/2</td> <td>2900</td> <td>1\"/&gt; 
</td></tr></td></tr></td></tr></td></tr></td></tr></td></tr></td></tr></td></tr></td></tr></td></tr></td></tr></td></tr></td></tr></td></tr></td></tr></td></tr></td></tr></td></tr></td></tr></td></tr>   | U-31 | " | " | V-675 | 122 | 1/2 | 2900 | 1\"/> <tr> <td>U-32</td> <td>"</td> <td>"</td> <td>V-675</td> <td>122</td> <td>1/2</td> <td>2900</td> <td>1\"/&gt;  <tr> <td>U-33</td> <td>"</td> <td>"</td> <td>V-675</td> <td>122</td> <td>1/2</td> <td>2900</td> <td>1\"/&gt;  <tr> <td>U-34</td> <td>"</td> <td>"</td> <td>V-675</td> <td>122</td> <td>1/2</td> <td>2900</td> <td>1\"/&gt;  <tr> <td>U-35</td> <td>"</td> <td>"</td> <td>V-675</td> <td>122</td> <td>1/2</td> <td>2900</td> <td>1\"/&gt;  <tr> <td>U-36</td> <td>"</td> <td>"</td> <td>V-675</td> <td>122</td> <td>1/2</td> <td>2900</td> <td>1\"/&gt;  <tr> <td>U-37</td> <td>"</td> <td>"</td> <td>V-675</td> <td>122</td> <td>1/2</td> <td>2900</td> <td>1\"/&gt;  <tr> <td>U-38</td> <td>"</td> <td>"</td> <td>V-675</td> <td>122</td> <td>1/2</td> <td>2900</td> <td>1\"/&gt;  <tr> <td>U-39</td> <td>"</td> <td>"</td> <td>V-675</td> <td>122</td> <td>1/2</td> <td>2900</td> <td>1\"/&gt;  <tr> <td>U-40</td> <td>"</td> <td>"</td> <td>V-675</td> <td>122</td> <td>1/2</td> <td>2900</td> <td>1\"/&gt;  <tr> <td>U-41</td> <td>"</td> <td>"</td> <td>V-675</td> <td>122</td> <td>1/2</td> <td>2900</td> <td>1\"/&gt;  <tr> <td>U-42</td> <td>"</td> <td>"</td> <td>V-675</td> <td>122</td> <td>1/2</td> <td>2900</td> <td>1\"/&gt;  <tr> <td>U-43</td> <td>"</td> <td>"</td> <td>V-675</td> <td>122</td> <td>1/2</td> <td>2900</td> <td>1\"/&gt;  <tr> <td>U-44</td> <td>"</td> <td>"</td> <td>V-675</td> <td>122</td> <td>1/2</td> <td>2900</td> <td>1\"/&gt;  <tr> <td>U-45</td> <td>"</td> <td>"</td> <td>V-675</td> <td>122</td> <td>1/2</td> <td>2900</td> <td>1\"/&gt;  <tr> <td>U-46</td> <td>"</td> <td>"</td> <td>V-675</td> <td>122</td> <td>1/2</td> <td>2900</td> <td>1\"/&gt;  <tr> <td>U-47</td> <td>"</td> <td>"</td> <td>V-675</td> <td>122</td> <td>1/2</td> <td>2900</td> <td>1\"/&gt;  <tr> <td>U-48</td> <td>"</td> <td>"</td> <td>V-675</td> <td>122</td> <td>1/2</td> <td>2900</td> <td>1\"/&gt;  <tr> <td>U-49</td> <td>"</td> <td>"</td> <td>V-675</td> <td>122</td> <td>1/2</td> <td>2900</td> <td>1\"/&gt;  <tr> <td>U-50</td> <td>"</td> <td>"</td> <td>V-675</td> <td>122</td> <td>1/2</td> <td>2900</td> <td>1\"/&gt;  </td></tr></td></tr></td></tr></td></tr></td></tr></td></tr></td></tr></td></tr></td></tr></td></tr></td></tr></td></tr></td></tr></td></tr></td></tr></td></tr></td></tr></td></tr></td></tr>  | U-32 | " | " | V-675 | 122 | 1/2 | 2900 | 1\"/> <tr> <td>U-33</td> <td>"</td> <td>"</td> <td>V-675</td> <td>122</td> <td>1/2</td> <td>2900</td> <td>1\"/&gt;  <tr> <td>U-34</td> <td>"</td> <td>"</td> <td>V-675</td> <td>122</td> <td>1/2</td> <td>2900</td> <td>1\"/&gt;  <tr> <td>U-35</td> <td>"</td> <td>"</td> <td>V-675</td> <td>122</td> <td>1/2</td> <td>2900</td> <td>1\"/&gt;  <tr> <td>U-36</td> <td>"</td> <td>"</td> <td>V-675</td> <td>122</td> <td>1/2</td> <td>2900</td> <td>1\"/&gt;  <tr> <td>U-37</td> <td>"</td> <td>"</td> <td>V-675</td> <td>122</td> <td>1/2</td> <td>2900</td> <td>1\"/&gt;  <tr> <td>U-38</td> <td>"</td> <td>"</td> <td>V-675</td> <td>122</td> <td>1/2</td> <td>2900</td> <td>1\"/&gt;  <tr> <td>U-39</td> <td>"</td> <td>"</td> <td>V-675</td> <td>122</td> <td>1/2</td> <td>2900</td> <td>1\"/&gt;  <tr> <td>U-40</td> <td>"</td> <td>"</td> <td>V-675</td> <td>122</td> <td>1/2</td> <td>2900</td> <td>1\"/&gt;  <tr> <td>U-41</td> <td>"</td> <td>"</td> <td>V-675</td> <td>122</td> <td>1/2</td> <td>2900</td> <td>1\"/&gt;  <tr> <td>U-42</td> <td>"</td> <td>"</td> <td>V-675</td> <td>122</td> <td>1/2</td> <td>2900</td> <td>1\"/&gt;  <tr> <td>U-43</td> <td>"</td> <td>"</td> <td>V-675</td> <td>122</td> <td>1/2</td> <td>2900</td> <td>1\"/&gt;  <tr> <td>U-44</td> <td>"</td> <td>"</td> <td>V-675</td> <td>122</td> <td>1/2</td> <td>2900</td> <td>1\"/&gt;  <tr> <td>U-45</td> <td>"</td> <td>"</td> <td>V-675</td> <td>122</td> <td>1/2</td> <td>2900</td>
<td>1\"/&gt;  <tr> <td>U-46</td> <td>"</td> <td>"</td> <td>V-675</td> <td>122</td> <td>1/2</td> <td>2900</td> <td>1\"/&gt;  <tr> <td>U-47</td> <td>"</td> <td>"</td> <td>V-675</td> <td>122</td> <td>1/2</td> <td>2900</td> <td>1\"/&gt;  <tr> <td>U-48</td> <td>"</td> <td>"</td> <td>V-675</td> <td>122</td> <td>1/2</td> <td>2900</td> <td>1\"/&gt;  <tr> <td>U-49</td> <td>"</td> <td>"</td> <td>V-675</td> <td>122</td> <td>1/2</td> <td>2900</td> <td>1\"/&gt;  <tr> <td>U-50</td> <td>"</td> <td>"</td> <td>V-675</td> <td>122</td> <td>1/2</td> <td>2900</td> <td>1\"/&gt;  </td></tr></td></tr></td></tr></td></tr></td></tr></td></tr></td></tr></td></tr></td></tr></td></tr></td></tr></td></tr></td></tr></td></tr></td></tr></td></tr></td></tr></td></tr>   | U-33 | " | " | V-675 | 122 | 1/2 | 2900 | 1\"/> <tr> <td>U-34</td> <td>"</td> <td>"</td> <td>V-675</td> <td>122</td> <td>1/2</td> <td>2900</td> <td>1\"/&gt;  <tr> <td>U-35</td> <td>"</td> <td>"</td> <td>V-675</td> <td>122</td> <td>1/2</td> <td>2900</td> <td>1\"/&gt;  <tr> <td>U-36</td> <td>"</td> <td>"</td> <td>V-675</td> <td>122</td> <td>1/2</td> <td>2900</td> <td>1\"/&gt;  <tr> <td>U-37</td> <td>"</td> <td>"</td> <td>V-675</td> <td>122</td> <td>1/2</td> <td>2900</td> <td>1\"/&gt;  <tr> <td>U-38</td> <td>"</td> <td>"</td> <td>V-675</td> <td>122</td> <td>1/2</td> <td>2900</td> <td>1\"/&gt;  <tr> <td>U-39</td> <td>"</td> <td>"</td> <td>V-675</td> <td>122</td> <td>1/2</td> <td>2900</td> <td>1\"/&gt;  <tr> <td>U-40</td> <td>"</td> <td>"</td> <td>V-675</td> <td>122</td> <td>1/2</td> <td>2900</td> <td>1\"/&gt;  <tr> <td>U-41</td> <td>"</td> <td>"</td> <td>V-675</td> <td>122</td> <td>1/2</td> <td>2900</td> <td>1\"/&gt;  <tr> <td>U-42</td> <td>"</td> <td>"</td> <td>V-675</td> <td>122</td> <td>1/2</td> <td>2900</td> <td>1\"/&gt;  <tr> <td>U-43</td> <td>"</td> <td>"</td> <td>V-675</td> <td>122</td> <td>1/2</td> <td>2900</td> <td>1\"/&gt;  <tr> <td>U-44</td> <td>"</td> <td>"</td> <td>V-675</td> <td>122</td> <td>1/2</td> <td>2900</td> <td>1\"/&gt;  <tr> <td>U-45</td> <td>"</td> <td>"</td> <td>V-675</td> <td>122</td> <td>1/2</td> <td>2900</td> <td>1\"/&gt;  <tr> <td>U-46</td> <td>"</td> <td>"</td> <td>V-675</td> <td>122</td> <td>1/2</td> <td>2900</td> <td>1\"/&gt;  <tr> <td>U-47</td> <td>"</td> <td>"</td> <td>V-675</td> <td>122</td> <td>1/2</td> <td>2900</td> <td>1\"/&gt;  <tr> <td>U-48</td> <td>"</td> <td>"</td> <td>V-675</td> <td>122</td> <td>1/2</td> <td>2900</td> <td>1\"/&gt;  <tr> <td>U-49</td> <td>"</td> <td>"</td> <td>V-675</td> <td>122</td> <td>1/2</td> <td>2900</td> <td>1\"/&gt;  <tr> <td>U-50</td> <td>"</td> <td>"</td> <td>V-675</td> <td>122</td> <td>1/2</td> <td>2900</td> <td>1\"/&gt;  </td></tr></td></tr></td></tr></td></tr></td></tr></td></tr></td></tr></td></tr></td></tr></td></tr></td></tr></td></tr></td></tr></td></tr></td></tr></td></tr></td></tr>  | U-34 | " | " | V-675 | 122 | 1/2 | 2900 | 1\"/> <tr> <td>U-35</td> <td>"</td> <td>"</td> <td>V-675</td> <td>122</td> <td>1/2</td> <td>2900</td> <td>1\"/&gt;  <tr> <td>U-36</td> <td>"</td> <td>"</td> <td>V-675</td> <td>122</td> <td>1/2</td> <td>2900</td> <td>1\"/&gt;  <tr> <td>U-37</td> <td>"</td> <td>"</td> <td>V-675</td> <td>122</td> <td>1/2</td> <td>2900</td> <td>1\"/&gt;  <tr> <td>U-38</td> <td>"</td> <td>"</td> <td>V-675</td> <td>122</td> <td>1/2</td> <td>2900</td> <td>1\"/&gt;  <tr> <td>U-39</td> <td>"</td> <td>"</td> <td>V-675</td> <td>122</td> <td>1/2</td> <td>2900</td> <td>1\"/&gt;  <tr> <td>U-40</td> <td>"</td> <td>"</td> <td>V-675</td> <td>122</td> <td>1/2</td> <td>2900</td> <td>1\"/&gt;  <tr> <td>U-41</td> <td>"</td> <td>"</td> <td>V-675</td> <td>122</td> <td>1/2</td> <td>2900</td> <td>1\"/&gt;  <tr> <td>U-42</td> <td>"</td> <td>"</td> <td>V-675</td> <td>122</td> <td>1/2</td> <td>2900</td> <td>1\"/&gt;  <tr> <td>U-43</td> <td>"</td> <td>"</td> <td>V-675</td> <td>122</td> <td>1/2</td> <td>2900</td> <td>1\"/&gt;  <tr> <td>U-44</td> <td>"</td> <td>"</td> <td>V-675</td> <td>122</td> <td>1/2</td> <td>2900</td> <td>1\"/&gt;  <tr>
<td>U-45</td> <td>"</td> <td>"</td> <td>V-675</td> <td>122</td> <td>1/2</td> <td>2900</td> <td>1\"/&gt;  <tr> <td>U-46</td> <td>"</td> <td>"</td> <td>V-675</td> <td>122</td> <td>1/2</td> <td>2900</td> <td>1\"/&gt;  <tr> <td>U-47</td> <td>"</td> <td>"</td> <td>V-675</td> <td>122</td> <td>1/2</td> <td>2900</td> <td>1\"/&gt;  <tr> <td>U-48</td> <td>"</td> <td>"</td> <td>V-675</td> <td>122</td> <td>1/2</td> <td>2900</td> <td>1\"/&gt;  <tr> <td>U-49</td> <td>"</td> <td>"</td> <td>V-675</td> <td>122</td> <td>1/2</td> <td>2900</td> <td>1\"/&gt;  <tr> <td>U-50</td> <td>"</td> <td>"</td> <td>V-675</td> <td>122</td> <td>1/2</td> <td>2900</td> <td>1\"/&gt;  </td></tr></td></tr></td></tr></td></tr></td></tr></td></tr></td></tr></td></tr></td></tr></td></tr></td></tr></td></tr></td></tr></td></tr></td></tr></td></tr>   | U-35 | " | " | V-675 | 122 | 1/2 | 2900 | 1\"/> <tr> <td>U-36</td> <td>"</td> <td>"</td> <td>V-675</td> <td>122</td> <td>1/2</td> <td>2900</td> <td>1\"/&gt;  <tr> <td>U-37</td> <td>"</td> <td>"</td> <td>V-675</td> <td>122</td> <td>1/2</td> <td>2900</td> <td>1\"/&gt;  <tr> <td>U-38</td> <td>"</td> <td>"</td> <td>V-675</td> <td>122</td> <td>1/2</td> <td>2900</td> <td>1\"/&gt;  <tr> <td>U-39</td> <td>"</td> <td>"</td> <td>V-675</td> <td>122</td> <td>1/2</td> <td>2900</td> <td>1\"/&gt;  <tr> <td>U-40</td> <td>"</td> <td>"</td> <td>V-675</td> <td>122</td> <td>1/2</td> <td>2900</td> <td>1\"/&gt;  <tr> <td>U-41</td> <td>"</td> <td>"</td> <td>V-675</td> <td>122</td> <td>1/2</td> <td>2900</td> <td>1\"/&gt;  <tr> <td>U-42</td> <td>"</td> <td>"</td> <td>V-675</td> <td>122</td> <td>1/2</td> <td>2900</td> <td>1\"/&gt;  <tr> <td>U-43</td> <td>"</td> <td>"</td> <td>V-675</td> <td>122</td> <td>1/2</td> <td>2900</td> <td>1\"/&gt;  <tr> <td>U-44</td> <td>"</td> <td>"</td> <td>V-675</td> <td>122</td> <td>1/2</td> <td>2900</td> <td>1\"/&gt;  <tr> <td>U-45</td> <td>"</td> <td>"</td> <td>V-675</td> <td>122</td> <td>1/2</td> <td>2900</td> <td>1\"/&gt;  <tr> <td>U-46</td> <td>"</td> <td>"</td> <td>V-675</td> <td>122</td> <td>1/2</td> <td>2900</td> <td>1\"/&gt;  <tr> <td>U-47</td> <td>"</td> <td>"</td> <td>V-675</td> <td>122</td> <td>1/2</td> <td>2900</td> <td>1\"/&gt;  <tr> <td>U-48</td> <td>"</td> <td>"</td> <td>V-675</td> <td>122</td> <td>1/2</td> <td>2900</td> <td>1\"/&gt;  <tr> <td>U-49</td> <td>"</td> <td>"</td> <td>V-675</td> <td>122</td> <td>1/2</td> <td>2900</td> <td>1\"/&gt;  <tr> <td>U-50</td> <td>"</td> <td>"</td> <td>V-675</td> <td>122</td> <td>1/2</td> <td>2900</td> <td>1\"/&gt;  </td></tr></td></tr></td></tr></td></tr></td></tr></td></tr></td></tr></td></tr></td></tr></td></tr></td></tr></td></tr></td></tr></td></tr></td></tr>   | U-36 | " | " | V-675 | 122 | 1/2 | 2900 | 1\"/> <tr> <td>U-37</td> <td>"</td> <td>"</td> <td>V-675</td> <td>122</td> <td>1/2</td> <td>2900</td> <td>1\"/&gt;  <tr> <td>U-38</td> <td>"</td> <td>"</td> <td>V-675</td> <td>122</td> <td>1/2</td> <td>2900</td> <td>1\"/&gt;  <tr> <td>U-39</td> <td>"</td> <td>"</td> <td>V-675</td> <td>122</td> <td>1/2</td> <td>2900</td> <td>1\"/&gt;  <tr> <td>U-40</td> <td>"</td> <td>"</td> <td>V-675</td> <td>122</td> <td>1/2</td> <td>2900</td> <td>1\"/&gt;  <tr> <td>U-41</td> <td>"</td> <td>"</td> <td>V-675</td> <td>122</td> <td>1/2</td> <td>2900</td> <td>1\"/&gt;  <tr> <td>U-42</td> <td>"</td> <td>"</td> <td>V-675</td> <td>122</td> <td>1/2</td> <td>2900</td> <td>1\"/&gt;  <tr> <td>U-43</td> <td>"</td> <td>"</td> <td>V-675</td> <td>122</td> <td>1/2</td> <td>2900</td> <td>1\"/&gt;  <tr> <td>U-44</td> <td>"</td> <td>"</td> <td>V-675</td> <td>122</td> <td>1/2</td> <td>2900</td> <td>1\"/&gt;  <tr> <td>U-45</td> <td>"</td> <td>"</td> <td>V-675</td> <td>122</td> <td>1/2</td> <td>2900</td> <td>1\"/&gt;  <tr> <td>U-46</td> <td>"</td> <td>"</td> <td>V-675</td> <td>122</td> <td>1/2</td> <td>2900</td> <td>1\"/&gt;  <tr> <td>U-47</td> <td>"</td> <td>"</td> <td>V-675</td> <td>122</td> <td>1/2</td> <td>2900</td> <td>1\"/&gt;  <tr> <td>U-48</td> <td>"</td> <td>"</td> <td>V-675</td> <td>122</td>
<td>1/2</td> <td>2900</td> <td>1\"/&gt;  <tr> <td>U-49</td> <td>"</td> <td>"</td> <td>V-675</td> <td>122</td> <td>1/2</td> <td>2900</td> <td>1\"/&gt;  <tr> <td>U-50</td> <td>"</td> <td>"</td> <td>V-675</td> <td>122</td> <td>1/2</td> <td>2900</td> <td>1\"/&gt;  </td></tr></td></tr></td></tr></td></tr></td></tr></td></tr></td></tr></td></tr></td></tr></td></tr></td></tr></td></tr></td></tr></td></tr>   | U-37 | " | " | V-675 | 122 | 1/2 | 2900 | 1\"/> <tr> <td>U-38</td> <td>"</td> <td>"</td> <td>V-675</td> <td>122</td> <td>1/2</td> <td>2900</td> <td>1\"/&gt;  <tr> <td>U-39</td> <td>"</td> <td>"</td> <td>V-675</td> <td>122</td> <td>1/2</td> <td>2900</td> <td>1\"/&gt;  <tr> <td>U-40</td> <td>"</td> <td>"</td> <td>V-675</td> <td>122</td> <td>1/2</td> <td>2900</td> <td>1\"/&gt;  <tr> <td>U-41</td> <td>"</td> <td>"</td> <td>V-675</td> <td>122</td> <td>1/2</td> <td>2900</td> <td>1\"/&gt;  <tr> <td>U-42</td> <td>"</td> <td>"</td> <td>V-675</td> <td>122</td> <td>1/2</td> <td>2900</td> <td>1\"/&gt;  <tr> <td>U-43</td> <td>"</td> <td>"</td> <td>V-675</td> <td>122</td> <td>1/2</td> <td>2900</td> <td>1\"/&gt;  <tr> <td>U-44</td> <td>"</td> <td>"</td> <td>V-675</td> <td>122</td> <td>1/2</td> <td>2900</td> <td>1\"/&gt;  <tr> <td>U-45</td> <td>"</td> <td>"</td> <td>V-675</td> <td>122</td> <td>1/2</td> <td>2900</td> <td>1\"/&gt;  <tr> <td>U-46</td> <td>"</td> <td>"</td> <td>V-675</td> <td>122</td> <td>1/2</td> <td>2900</td> <td>1\"/&gt;  <tr> <td>U-47</td> <td>"</td> <td>"</td> <td>V-675</td> <td>122</td> <td>1/2</td> <td>2900</td> <td>1\"/&gt;  <tr> <td>U-48</td> <td>"</td> <td>"</td> <td>V-675</td> <td>122</td> <td>1/2</td> <td>2900</td> <td>1\"/&gt;  <tr> <td>U-49</td> <td>"</td> <td>"</td> <td>V-675</td> <td>122</td> <td>1/2</td> <td>2900</td> <td>1\"/&gt;  <tr> <td>U-50</td> <td>"</td> <td>"</td> <td>V-675</td> <td>122</td> <td>1/2</td> <td>2900</td> <td>1\"/&gt;  </td></tr></td></tr></td></tr></td></tr></td></tr></td></tr></td></tr></td></tr></td></tr></td></tr></td></tr></td></tr></td></tr>   | U-38 | " | " | V-675 | 122 | 1/2 | 2900 | 1\"/> <tr> <td>U-39</td> <td>"</td> <td>"</td> <td>V-675</td> <td>122</td> <td>1/2</td> <td>2900</td> <td>1\"/&gt;  <tr> <td>U-40</td> <td>"</td> <td>"</td> <td>V-675</td> <td>122</td> <td>1/2</td> <td>2900</td> <td>1\"/&gt;  <tr> <td>U-41</td> <td>"</td> <td>"</td> <td>V-675</td> <td>122</td> <td>1/2</td> <td>2900</td> <td>1\"/&gt;  <tr> <td>U-42</td> <td>"</td> <td>"</td> <td>V-675</td> <td>122</td> <td>1/2</td> <td>2900</td> <td>1\"/&gt;  <tr> <td>U-43</td> <td>"</td> <td>"</td> <td>V-675</td> <td>122</td> <td>1/2</td> <td>2900</td> <td>1\"/&gt;  <tr> <td>U-44</td> <td>"</td> <td>"</td> <td>V-675</td> <td>122</td> <td>1/2</td> <td>2900</td> <td>1\"/&gt;  <tr> <td>U-45</td> <td>"</td> <td>"</td> <td>V-675</td> <td>122</td> <td>1/2</td> <td>2900</td> <td>1\"/&gt;  <tr> <td>U-46</td> <td>"</td> <td>"</td> <td>V-675</td> <td>122</td> <td>1/2</td> <td>2900</td> <td>1\"/&gt;  <tr> <td>U-47</td> <td>"</td> <td>"</td> <td>V-675</td> <td>122</td> <td>1/2</td> <td>2900</td> <td>1\"/&gt;  <tr> <td>U-48</td> <td>"</td> <td>"</td> <td>V-675</td> <td>122</td> <td>1/2</td> <td>2900</td> <td>1\"/&gt;  <tr> <td>U-49</td> <td>"</td> <td>"</td> <td>V-675</td> <td>122</td> <td>1/2</td> <td>2900</td> <td>1\"/&gt;  <tr> <td>U-50</td> <td>"</td> <td>"</td> <td>V-675</td> <td>122</td> <td>1/2</td> <td>2900</td> <td>1\"/&gt;  </td></tr></td></tr></td></tr></td></tr></td></tr></td></tr></td></tr></td></tr></td></tr></td></tr></td></tr></td></tr>  
  | U-39 | " | " | V-675 | 122 | 1/2 | 2900 | 1\"/> <tr> <td>U-40</td> <td>"</td> <td>"</td> <td>V-675</td> <td>122</td> <td>1/2</td> <td>2900</td> <td>1\"/&gt;  <tr> <td>U-41</td> <td>"</td> <td>"</td> <td>V-675</td> <td>122</td> <td>1/2</td> <td>2900</td> <td>1\"/&gt;  <tr> <td>U-42</td> <td>"</td> <td>"</td> <td>V-675</td> <td>122</td> <td>1/2</td> <td>2900</td> <td>1\"/&gt;  <tr> <td>U-43</td> <td>"</td> <td>"</td> <td>V-675</td> <td>122</td> <td>1/2</td> <td>2900</td> <td>1\"/&gt;  <tr> <td>U-44</td> <td>"</td> <td>"</td> <td>V-675</td> <td>122</td> <td>1/2</td> <td>2900</td> <td>1\"/&gt;  <tr> <td>U-45</td> <td>"</td> <td>"</td> <td>V-675</td> <td>122</td> <td>1/2</td> <td>2900</td> <td>1\"/&gt;  <tr> <td>U-46</td> <td>"</td> <td>"</td> <td>V-675</td> <td>122</td> <td>1/2</td> <td>2900</td> <td>1\"/&gt;  <tr> <td>U-47</td> <td>"</td> <td>"</td> <td>V-675</td> <td>122</td> <td>1/2</td> <td>2900</td> <td>1\"/&gt;  <tr> <td>U-48</td> <td>"</td> <td>"</td> <td>V-675</td> <td>122</td> <td>1/2</td> <td>2900</td> <td>1\"/&gt;  <tr> <td>U-49</td> <td>"</td> <td>"</td> <td>V-675</td> <td>122</td> <td>1/2</td> <td>2900</td> <td>1\"/&gt;  <tr> <td>U-50</td> <td>"</td> <td>"</td> <td>V-675</td> <td>122</td> <td>1/2</td> <td>2900</td> <td>1\"/&gt;  </td></tr></td></tr></td></tr></td></tr></td></tr></td></tr></td></tr></td></tr></td></tr></td></tr></td></tr>   | U-40 | " | " | V-675 | 122 | 1/2 | 2900 | 1\"/> <tr> <td>U-41</td> <td>"</td> <td>"</td> <td>V-675</td> <td>122</td> <td>1/2</td> <td>2900</td> <td>1\"/&gt;  <tr> <td>U-42</td> <td>"</td> <td>"</td> <td>V-675</td> <td>122</td> <td>1/2</td> <td>2900</td> <td>1\"/&gt;  <tr> <td>U-43</td> <td>"</td> <td>"</td> <td>V-675</td> <td>122</td> <td>1/2</td> <td>2900</td> <td>1\"/&gt;  <tr> <td>U-44</td> <td>"</td> <td>"</td> <td>V-675</td> <td>122</td> <td>1/2</td> <td>2900</td> <td>1\"/&gt;  <tr> <td>U-45</td> <td>"</td> <td>"</td> <td>V-675</td> <td>122</td> <td>1/2</td> <td>2900</td> <td>1\"/&gt;  <tr> <td>U-46</td> <td>"</td> <td>"</td> <td>V-675</td> <td>122</td> <td>1/2</td> <td>2900</td> <td>1\"/&gt;  <tr> <td>U-47</td> <td>"</td> <td>"</td> <td>V-675</td> <td>122</td> <td>1/2</td> <td>2900</td> <td>1\"/&gt;  <tr> <td>U-48</td> <td>"</td> <td>"</td> <td>V-675</td> <td>122</td> <td>1/2</td> <td>2900</td> <td>1\"/&gt;  <tr> <td>U-49</td> <td>"</td> <td>"</td> <td>V-675</td> <td>122</td> <td>1/2</td> <td>2900</td> <td>1\"/&gt;  <tr> <td>U-50</td> <td>"</td> <td>"</td> <td>V-675</td> <td>122</td> <td>1/2</td> <td>2900</td> <td>1\"/&gt;  </td></tr></td></tr></td></tr></td></tr></td></tr></td></tr></td></tr></td></tr></td></tr></td></tr>  
  | U-41 | " | " | V-675 | 122 | 1/2 | 2900 | 1\"/> <tr> <td>U-42</td> <td>"</td> <td>"</td> <td>V-675</td> <td>122</td> <td>1/2</td> <td>2900</td> <td>1\"/&gt;  <tr> <td>U-43</td> <td>"</td> <td>"</td> <td>V-675</td> <td>122</td> <td>1/2</td> <td>2900</td> <td>1\"/&gt;  <tr> <td>U-44</td> <td>"</td> <td>"</td> <td>V-675</td> <td>122</td> <td>1/2</td> <td>2900</td> <td>1\"/&gt;  <tr> <td>U-45</td> <td>"</td> <td>"</td> <td>V-675</td> <td>122</td> <td>1/2</td> <td>2900</td> <td>1\"/&gt;  <tr> <td>U-46</td> <td>"</td> <td>"</td> <td>V-675</td> <td>122</td> <td>1/2</td> <td>2900</td> <td>1\"/&gt;  <tr> <td>U-47</td> <td>"</td> <td>"</td> <td>V-675</td> <td>122</td> <td>1/2</td> <td>2900</td> <td>1\"/&gt;  <tr> <td>U-48</td> <td>"</td> <td>"</td> <td>V-675</td> <td>122</td> <td>1/2</td> <td>2900</td> <td>1\"/&gt;  <tr> <td>U-49</td> <td>"</td> <td>"</td> <td>V-675</td> <td>122</td> <td>1/2</td> <td>2900</td> <td>1\"/&gt;  <tr> <td>U-50</td> <td>"</td> <td>"</td> <td>V-675</td> <td>122</td> <td>1/2</td> <td>2900</td> <td>1\"/&gt;  </td></tr></td></tr></td></tr></td></tr></td></tr></td></tr></td></tr></td></tr></td></tr>   | U-42 | " | " | V-675 | 122 | 1/2 | 2900 | 1\"/> <tr> <td>U-43</td> <td>"</td> <td>"</td> <td>V-675</td> <td>122</td> <td>1/2</td> <td>2900</td> <td>1\"/&gt;  <tr> <td>U-44</td> <td>"</td> <td>"</td> <td>V-675</td> <td>122</td> <td>1/2</td> <td>2900</td> <td>1\"/&gt;  <tr> <td>U-45</td> <td>"</td> <td>"</td> <td>V-675</td> <td>122</td> <td>1/2</td> <td>2900</td> <td>1\"/&gt;  <tr> <td>U-46</td> <td>"</td> <td>"</td> <td>V-675</td> <td>122</td> <td>1/2</td> <td>2900</td> <td>1\"/&gt;  <tr> <td>U-47</td> <td>"</td> <td>"</td> <td>V-675</td> <td>122</td> <td>1/2</td> <td>2900</td> <td>1\"/&gt;  <tr> <td>U-48</td> <td>"</td> <td>"</td> <td>V-675</td> <td>122</td> <td>1/2</td> <td>2900</td> <td>1\"/&gt;  <tr> <td>U-49</td> <td>"</td> <td>"</td> <td>V-675</td> <td>122</td> <td>1/2</td> <td>2900</td> <td>1\"/&gt;  <tr> <td>U-50</td> <td>"</td> <td>"</td> <td>V-675</td> <td>122</td> <td>1/2</td> <td>2900</td> <td>1\"/&gt;  </td></tr></td></tr></td></tr></td></tr></td></tr></td></tr></td></tr></td></tr>   | U-43 | " | " | V-675 | 122 | 1/2 | 2900 | 1\"/> <tr> <td>U-44</td> <td>"</td> <td>"</td> <td>V-675</td> <td>122</td> <td>1/2</td> <td>2900</td> <td>1\"/&gt;  <tr> <td>U-45</td> <td>"</td> <td>"</td> <td>V-675</td> <td>122</td> <td>1/2</td> <td>2900</td> <td>1\"/&gt;  <tr> <td>U-46</td> <td>"</td> <td>"</td> <td>V-675</td> <td>122</td> <td>1/2</td> <td>2900</td> <td>1\"/&gt;  <tr> <td>U-47</td> <td>"</td> <td>"</td> <td>V-675</td> <td>122</td> <td>1/2</td> <td>2900</td> <td>1\"/&gt;  <tr> <td>U-48</td> <td>"</td> <td>"</td> <td>V-675</td> <td>122</td> <td>1/2</td> <td>2900</td> <td>1\"/&gt;  <tr> <td>U-49</td> <td>"</td> <td>"</td> <td>V-675</td> <td>122</td> <td>1/2</td> <td>2900</td> <td>1\"/&gt;  <tr> <td>U-50</td>
<td>"</td> <td>"</td> <td>V-675</td> <td>122</td> <td>1/2</td> <td>2900</td> <td>1\"/&gt;  </td></tr></td></tr></td></tr></td></tr></td></tr></td></tr></td></tr>   | U-44 | " | " | V-675 | 122 | 1/2 | 2900 | 1\"/> <tr> <td>U-45</td> <td>"</td> <td>"</td> <td>V-675</td> <td>122</td> <td>1/2</td> <td>2900</td> <td>1\"/&gt;  <tr> <td>U-46</td> <td>"</td> <td>"</td> <td>V-675</td> <td>122</td> <td>1/2</td> <td>2900</td> <td>1\"/&gt;  <tr> <td>U-47</td> <td>"</td> <td>"</td> <td>V-675</td> <td>122</td> <td>1/2</td> <td>2900</td> <td>1\"/&gt;  <tr> <td>U-48</td> <td>"</td> <td>"</td> <td>V-675</td> <td>122</td> <td>1/2</td> <td>2900</td> <td>1\"/&gt;  <tr> <td>U-49</td> <td>"</td> <td>"</td> <td>V-675</td> <td>122</td> <td>1/2</td> <td>2900</td> <td>1\"/&gt;  <tr> <td>U-50</td> <td>"</td> <td>"</td> <td>V-675</td> <td>122</td> <td>1/2</td> <td>2900</td> <td>1\"/&gt;  </td></tr></td></tr></td></tr></td></tr></td></tr></td></tr>   | U-45 | " | " | V-675 | 122 | 1/2 | 2900 | 1\"/> <tr> <td>U-46</td> <td>"</td> <td>"</td> <td>V-675</td> <td>122</td> <td>1/2</td> <td>2900</td> <td>1\"/&gt;  <tr> <td>U-47</td> <td>"</td> <td>"</td> <td>V-675</td> <td>122</td> <td>1/2</td> <td>2900</td> <td>1\"/&gt;  <tr> <td>U-48</td> <td>"</td> <td>"</td> <td>V-675</td> <td>122</td> <td>1/2</td> <td>2900</td> <td>1\"/&gt;  <tr> <td>U-49</td> <td>"</td> <td>"</td> <td>V-675</td> <td>122</td> <td>1/2</td> <td>2900</td> <td>1\"/&gt;  <tr> <td>U-50</td> <td>"</td> <td>"</td> <td>V-675</td> <td>122</td> <td>1/2</td> <td>2900</td> <td>1\"/&gt;  </td></tr></td></tr></td></tr></td></tr></td></tr>  
  | U-46 | " | " | V-675 | 122 | 1/2 | 2900 | 1\"/> <tr> <td>U-47</td> <td>"</td> <td>"</td> <td>V-675</td> <td>122</td> <td>1/2</td> <td>2900</td> <td>1\"/&gt;  <tr> <td>U-48</td> <td>"</td> <td>"</td> <td>V-675</td> <td>122</td> <td>1/2</td> <td>2900</td> <td>1\"/&gt;  <tr> <td>U-49</td> <td>"</td> <td>"</td> <td>V-675</td> <td>122</td> <td>1/2</td> <td>2900</td> <td>1\"/&gt;  <tr> <td>U-50</td> <td>"</td> <td>"</td> <td>V-675</td> <td>122</td> <td>1/2</td> <td>2900</td> <td>1\"/&gt;  </td></tr></td></tr></td></tr></td></tr>   | U-47 | " | " | V-675 | 122 | 1/2 | 2900 | 1\"/> <tr> <td>U-48</td> <td>"</td> <td>"</td> <td>V-675</td> <td>122</td> <td>1/2</td> <td>2900</td> <td>1\"/&gt;  <tr> <td>U-49</td> <td>"</td> <td>"</td> <td>V-675</td> <td>122</td> <td>1/2</td> <td>2900</td> <td>1\"/&gt;  <tr> <td>U-50</td> <td>"</td> <td>"</td> <td>V-675</td> <td>122</td> <td>1/2</td> <td>2900</td> <td>1\"/&gt;  </td></tr></td></tr></td></tr>   | U-48 | " | " | V-675 | 122 | 1/2 | 2900 | 1\"/> <tr> <td>U-49</td> <td>"</td> <td>"</td> <td>V-675</td> <td>122</td> <td>1/2</td> <td>2900</td> <td>1\"/&gt;  <tr> <td>U-50</td> <td>"</td> <td>"</td> <td>V-675</td> <td>122</td> <td>1/2</td> <td>2900</td> <td>1\"/&gt;  </td></tr></td></tr>   
   | U-49 | " | " | V-675 | 122 | 1/2 | 2900 | 1\"/> <tr> <td>U-50</td> <td>"</td> <td>"</td> <td>V-675</td> <td>122</td> <td>1/2</td> <td>2900</td> <td>1\"/&gt;  </td></tr>   | U-50 | " | " | V-675 | 122 | 1/2 | 2900 | 1\"/>  |      |   |   |       |     |     |      |  |      |   |   |       | | | | | | | | | | | | | | | | | | | | | | | | | | | | | | | | | | | | |
     |      |  |      |   |   |       |     |     |      |  |      |   |   |       |     |     |      |  |      |   |   |       |     |     |      |   
  |      |   |   |       |     |     |      |  |      |   |   |       |     |     |      |  |      |   |   |       |     |     |      |  |      |   |   |       |     |     |      |  |      |   |   |       |     |     |      |  
   |      |   |   |       |     |     |      |  |      |   |   |       |     |     |      |  |      |   |   |       |     |     |      |  |      |   |   |       |     |     |      |  |      |   |   |       |     |     |      |  |      |   |   |       |     |     |      |  |      |   |   |       |     |     |      |   
  |      |   |   |       |     |     |      |  |      |   |   |       |     |     |      |  |      |   |   |       |     |     |      |  |      |   |   |       |     |     |      |  |      |   |   |       |     |     |      |  |      |   |   |       |     |     |      |  |      |   |   |       |     |     |      |  |      |   |   |       |     |     |      |       |
| U-21 | "             | "                       | V-675    | 122  | 1/2           | 2900    | 1\"/> <tr> <td>U-22</td> <td>"</td> <td>"</td> <td>V-675</td> <td>122</td> <td>1/2</td> <td>2900</td> <td>1\"/&gt;  <tr> <td>U-23</td> <td>"</td> <td>"</td> <td>V-675</td> <td>122</td> <td>1/2</td> <td>2900</td> <td>1\"/&gt;  <tr> <td>U-24</td> <td>"</td> <td>"</td> <td>V-675</td> <td>122</td> <td>1/2</td> <td>2900</td> <td>1\"/&gt;  <tr> <td>U-25</td> <td>"</td> <td>"</td> <td>V-675</td> <td>122</td> <td>1/2</td> <td>2900</td> <td>1\"/&gt;  <tr> <td>U-26</td> <td>"</td> <td>"</td> <td>V-675</td> <td>122</td> <td>1/2</td> <td>2900</td> <td>1\"/&gt;  <tr> <td>U-27</td> <td>"</td> <td>"</td> <td>V-675</td> <td>122</td> <td>1/2</td> <td>2900</td> <td>1\"/&gt;  <tr> <td>U-28</td> <td>"</td> <td>"</td> <td>V-675</td> <td>122</td> <td>1/2</td> <td>2900</td> <td>1\"/&gt;  <tr> <td>U-29</td> <td>"</td> <td>"</td> <td>V-675</td> <td>122</td> <td>1/2</td> <td>2900</td> <td>1\"/&gt;  <tr> <td>U-30</td> <td>"</td> <td>"</td> <td>V-675</td> <td>122</td> <td>1/2</td> <td>2900</td> <td>1\"/&gt;  <tr> <td>U-31</td> <td>"</td> <td>"</td> <td>V-675</td> <td>122</td> <td>1/2</td> <td>2900</td> <td>1\"/&gt;  <tr> <td>U-32</td> <td>"</td> <td>"</td> <td>V-675</td> <td>122</td> <td>1/2</td> <td>2900</td> <td>1\"/&gt;  <tr> <td>U-33</td> <td>"</td> <td>"</td> <td>V-675</td> <td>122</td> <td>1/2</td> <td>2900</td> <td>1\"/&gt;  <tr> <td>U-34</td> <td>"</td> <td>"</td> <td>V-675</td> <td>122</td> <td>1/2</td> <td>2900</td> <td>1\"/&gt;  <tr> <td>U-35</td> <td>"</td> <td>"</td> <td>V-675</td> <td>122</td> <td>1/2</td> <td>2900</td> <td>1\"/&gt;  <tr> <td>U-36</td> <td>"</td> <td>"</td> <td>V-675</td> <td>122</td> <td>1/2</td> <td>2900</td> <td>1\"/&gt;  <tr> <td>U-37</td> <td>"</td> <td>"</td> <td>V-675</td> <td>122</td> <td>1/2</td> <td>2900</td> <td>1\"/&gt;  <tr> <td>U-38</td> <td>"</td> <td>"</td> <td>V-675</td> <td>122</td> <td>1/2</td> <td>2900</td> <td>1\"/&gt;  <tr> <td>U-39</td> <td>"</td> <td>"</td> <td>V-675</td> <td>122</td> <td>1/2</td> <td>2900</td> <td>1\"/&gt;  <tr> <td>U-40</td> <td>"</td> <td>"</td> <td>V-675</td> <td>122</td> <td>1/2</td> <td>2900</td> <td>1\"/&gt;  <tr> <td>U-41</td> <td>"</td> <td>"</td> <td>V-675</td> <td>122</td> <td>1/2</td> <td>2900</td> <td>1\"/&gt;  <tr> <td>U-42</td> <td>"</td> <td>"</td> <td>V-675</td> <td>122</td> <td>1/2</td> <td>2900</td> <td>1\"/&gt;  <tr> <td>U-43</td> <td>"</td> <td>"</td> <td>V-675</td> <td>122</td> <td>1/2</td> <td>2900</td> <td>1\"/&gt;  <tr> <td>U-44</td> <td>"</td> <td>"</td> <td>V-675</td> <td>122</td> <td>1/2</td> <td>2900</td> <td>1\"/&gt;  <tr> <td>U-45</td> <td>"</td> <td>"</td> <td>V-675</td> <td>122</td> <td>1/2</td> <td>2900</td> <td>1\"/&gt;  <tr> <td>U-46</td> <td>"</td> <td>"</td> <td>V-675</td> <td>122</td> <td>1/2</td> <td>2900</td> <td>1\"/&gt;  <tr> <td>U-47</td> <td>"</td> <td>"</td> <td>V-675</td> <td>122</td> <td>1/2</td> <td>2900</td> <td>1\"/&gt;  <tr> <td>U-48</td> <td>"</td> <td>"</td> <td>V-675</td> <td>122</td> <td>1/2</td> <td>2900</td> <td>1\"/&gt;  <tr> <td>U-49</td> <td>"</td> <td>"</td> <td>V-675</td> <td>122</td> <td>1/2</td> <td>2900</td> <td>1\"/&gt;  <tr> <td>U-50</td> <td>"</td> <td>"</td> <td>V-675</td> <td>122</td> <td>1/2</td> <td>2900</td> <td>1\"/&gt;  </td></tr></td></tr></td></tr></td></tr></td></tr></td></tr></td></tr></td></tr></td></tr></td></tr></td></tr></td></tr></td></tr></td></tr></td></tr></td></tr></td></tr></td></tr></td></tr></td></tr></td></tr></td></tr></td></tr></td></tr></td></tr></td></tr></td></tr></td></tr></td></tr>  | U-22 | " | " | V-675  | 122  | 1/2 | 2900   | 1\"/> <tr> <td>U-23</td> <td>"</td> <td>"</td> <td>V-675</td> <td>122</td> <td>1/2</td> <td>2900</td> <td>1\"/&gt;  <tr> <td>U-24</td> <td>"</td> <td>"</td> <td>V-675</td> <td>122</td> <td>1/2</td> <td>2900</td> <td>1\"/&gt;  <tr> <td>U-25</td> <td>"</td> <td>"</td> <td>V-675</td> <td>122</td> <td>1/2</td> <td>2900</td> <td>1\"/&gt;  <tr> <td>U-26</td> <td>"</td> <td>"</td> <td>V-675</td> <td>122</td> <td>1/2</td> <td>2900</td> <td>1\"/&gt;  <tr> <td>U-27</td> <td>"</td> <td>"</td> <td>V-675</td> <td>122</td> <td>1/2</td> <td>2900</td> <td>1\"/&gt;  <tr> <td>U-28</td> <td>"</td> <td>"</td> <td>V-675</td> <td>122</td> <td>1/2</td> <td>2900</td> <td>1\"/&gt;  <tr> <td>U-29</td> <td>"</td> <td>"</td> <td>V-675</td> <td>122</td> <td>1/2</td> <td>2900</td> <td>1\"/&gt;  <tr> <td>U-30</td> <td>"</td> <td>"</td> <td>V-675</td> <td>122</td> <td>1/2</td> <td>2900</td> <td>1\"/&gt;  <tr> <td>U-31</td> <td>"</td> <td>"</td> <td>V-675</td> <td>122</td> <td>1/2</td> <td>2900</td> <td>1\"/&gt;  <tr> <td>U-32</td> <td>"</td> <td>"</td> <td>V-675</td> <td>122</td> <td>1/2</td> <td>2900</td> <td>1\"/&gt;  <tr> <td>U-33</td> <td>"</td> <td>"</td> <td>V-675</td> <td>122</td> <td>1/2</td> <td>2900</td> <td>1\"/&gt;  <tr> <td>U-34</td> <td>"</td> <td>"</td> <td>V-675</td> <td>122</td> <td>1/2</td> <td>2900</td> <td>1\"/&gt;  <tr> <td>U-35</td> <td>"</td> <td>"</td> <td>V-675</td> <td>122</td> <td>1/2</td> <td>2900</td> <td>1\"/&gt;  <tr> <td>U-36</td> <td>"</td> <td>"</td> <td>V-675</td> <td>122</td> <td>1/2</td> <td>2900</td> <td>1\"/&gt;  <tr> <td>U-37</td> <td>"</td> <td>"</td> <td>V-675</td> <td>122</td> <td>1/2</td> <td>2900</td> <td>1\"/&gt;  <tr> <td>U-38</td> <td>"</td> <td>"</td> <td>V-675</td> <td>122</td> <td>1/2</td> <td>2900</td> <td>1\"/&gt;  <tr> <td>U-39</td> <td>"</td> <td>"</td> <td>V-675</td> <td>122</td> <td>1/2</td> <td>2900</td> <td>1\"/&gt;  <tr> <td>U-40</td> <td>"</td> <td>"</td> <td>V-675</td> <td>122</td> <td>1/2</td> <td>2900</td> <td>1\"/&gt;  <tr> <td>U-41</td> <td>"</td> <td>"</td> <td>V-675</td> <td>122</td> <td>1/2</td> <td>2900</td> <td>1\"/&gt;  <tr> <td>U-42</td> <td>"</td> <td>"</td> <td>V-675</td> <td>122</td> <td>1/2</td> <td>2900</td> <td>1\"/&gt;  <tr> <td>U-43</td> <td>"</td> <td>"</td> <td>V-675</td> <td>122</td> <td>1/2</td> <td>2900</td> <td>1\"/&gt;  <tr> <td>U-44</td> <td>"</td> <td>"</td> <td>V-675</td> <td>122</td> <td>1/2</td> <td>2900</td> <td>1\"/&gt;  <tr> <td>U-45</td> <td>"</td> <td>"</td> <td>V-675</td> <td>122</td> <td>1/2</td> <td>2900</td> <td>1\"/&gt;  <tr> <td>U-46</td> <td>"</td> <td>"</td> <td>V-675</td> <td>122</td> <td>1/2</td> <td>2900</td> <td>1\"/&gt;  <tr> <td>U-47</td> <td>"</td> <td>"</td> <td>V-675</td> <td>122</td> <td>1/2</td> <td>2900</td> <td>1\"/&gt;  <tr> <td>U-48</td> <td>"</td> <td>"</td> <td>V-675</td> <td>122</td> <td>1/2</td> <td>2900</td> <td>1\"/&gt;  <tr> <td>U-49</td> <td>"</td> <td>"</td> <td>V-675</td> <td>122</td> <td>1/2</td> <td>2900</td> <td>1\"/&gt;  <tr> <td>U-50</td> <td>"</td> <td>"</td> <td>V-675</td> <td>122</td> <td>1/2</td> <td>2900</td> <td>1\"/&gt; 
</td></tr></td></tr></td></tr></td></tr></td></tr></td></tr></td></tr></td></tr></td></tr></td></tr></td></tr></td></tr></td></tr></td></tr></td></tr></td></tr></td></tr></td></tr></td></tr></td></tr></td></tr></td></tr></td></tr></td></tr></td></tr></td></tr></td></tr></td></tr>   | U-23 | " | " | V-675  | 122 | 1/2 | 2900   | 1\"/> <tr> <td>U-24</td> <td>"</td> <td>"</td> <td>V-675</td> <td>122</td> <td>1/2</td> <td>2900</td> <td>1\"/&gt;  <tr> <td>U-25</td> <td>"</td> <td>"</td> <td>V-675</td> <td>122</td> <td>1/2</td> <td>2900</td> <td>1\"/&gt;  <tr> <td>U-26</td> <td>"</td> <td>"</td> <td>V-675</td> <td>122</td> <td>1/2</td> <td>2900</td> <td>1\"/&gt;  <tr> <td>U-27</td> <td>"</td> <td>"</td> <td>V-675</td> <td>122</td> <td>1/2</td> <td>2900</td> <td>1\"/&gt;  <tr> <td>U-28</td> <td>"</td> <td>"</td> <td>V-675</td> <td>122</td> <td>1/2</td> <td>2900</td> <td>1\"/&gt;  <tr> <td>U-29</td> <td>"</td> <td>"</td> <td>V-675</td> <td>122</td> <td>1/2</td> <td>2900</td> <td>1\"/&gt;  <tr> <td>U-30</td> <td>"</td> <td>"</td> <td>V-675</td> <td>122</td> <td>1/2</td> <td>2900</td> <td>1\"/&gt;  <tr> <td>U-31</td> <td>"</td> <td>"</td> <td>V-675</td> <td>122</td> <td>1/2</td> <td>2900</td> <td>1\"/&gt;  <tr> <td>U-32</td> <td>"</td> <td>"</td> <td>V-675</td> <td>122</td> <td>1/2</td> <td>2900</td> <td>1\"/&gt;  <tr> <td>U-33</td> <td>"</td> <td>"</td> <td>V-675</td> <td>122</td> <td>1/2</td> <td>2900</td> <td>1\"/&gt;  <tr> <td>U-34</td> <td>"</td> <td>"</td> <td>V-675</td> <td>122</td> <td>1/2</td> <td>2900</td> <td>1\"/&gt;  <tr> <td>U-35</td> <td>"</td> <td>"</td> <td>V-675</td> <td>122</td> <td>1/2</td> <td>2900</td> <td>1\"/&gt;  <tr> <td>U-36</td> <td>"</td> <td>"</td> <td>V-675</td> <td>122</td> <td>1/2</td> <td>2900</td> <td>1\"/&gt;  <tr> <td>U-37</td> <td>"</td> <td>"</td> <td>V-675</td> <td>122</td> <td>1/2</td> <td>2900</td> <td>1\"/&gt;  <tr> <td>U-38</td> <td>"</td> <td>"</td> <td>V-675</td> <td>122</td> <td>1/2</td> <td>2900</td> <td>1\"/&gt;  <tr> <td>U-39</td> <td>"</td> <td>"</td> <td>V-675</td> <td>122</td> <td>1/2</td> <td>2900</td> <td>1\"/&gt;  <tr> <td>U-40</td> <td>"</td> <td>"</td> <td>V-675</td> <td>122</td> <td>1/2</td> <td>2900</td> <td>1\"/&gt;  <tr> <td>U-41</td> <td>"</td> <td>"</td> <td>V-675</td> <td>122</td> <td>1/2</td> <td>2900</td> <td>1\"/&gt;  <tr> <td>U-42</td> <td>"</td> <td>"</td> <td>V-675</td> <td>122</td> <td>1/2</td> <td>2900</td> <td>1\"/&gt;  <tr> <td>U-43</td> <td>"</td> <td>"</td> <td>V-675</td> <td>122</td> <td>1/2</td> <td>2900</td> <td>1\"/&gt;  <tr> <td>U-44</td> <td>"</td> <td>"</td> <td>V-675</td> <td>122</td> <td>1/2</td> <td>2900</td> <td>1\"/&gt;  <tr> <td>U-45</td> <td>"</td> <td>"</td> <td>V-675</td> <td>122</td> <td>1/2</td> <td>2900</td> <td>1\"/&gt;  <tr> <td>U-46</td> <td>"</td> <td>"</td> <td>V-675</td> <td>122</td> <td>1/2</td> <td>2900</td> <td>1\"/&gt;  <tr> <td>U-47</td> <td>"</td> <td>"</td> <td>V-675</td> <td>122</td> <td>1/2</td> <td>2900</td> <td>1\"/&gt;  <tr> <td>U-48</td> <td>"</td> <td>"</td> <td>V-675</td> <td>122</td> <td>1/2</td> <td>2900</td> <td>1\"/&gt;  <tr> <td>U-49</td> <td>"</td> <td>"</td> <td>V-675</td> <td>122</td> <td>1/2</td> <td>2900</td> <td>1\"/&gt;  <tr> <td>U-50</td> <td>"</td> <td>"</td> <td>V-675</td> <td>122</td> <td>1/2</td> <td>2900</td> <td>1\"/&gt;  </td></tr></td></tr></td></tr></td></tr></td></tr></td></tr></td></tr></td></tr></td></tr></td></tr></td></tr></td></tr></td></tr></td></tr></td></tr></td></tr></td></tr></td></tr></td></tr></td></tr></td></tr></td></tr></td></tr></td></tr></td></tr></td></tr></td></tr>   | U-24 | " | " | V-675 | 122 | 1/2 | 2900    | 1\"/> <tr> <td>U-25</td> <td>"</td> <td>"</td> <td>V-675</td> <td>122</td> <td>1/2</td> <td>2900</td> <td>1\"/&gt;  <tr> <td>U-26</td> <td>"</td> <td>"</td> <td>V-675</td> <td>122</td> <td>1/2</td> <td>2900</td> <td>1\"/&gt;  <tr> <td>U-27</td> <td>"</td> <td>"</td> <td>V-675</td> <td>122</td> <td>1/2</td> <td>2900</td> <td>1\"/&gt;  <tr> <td>U-28</td> <td>"</td> <td>"</td> <td>V-675</td> <td>122</td> <td>1/2</td> <td>2900</td> <td>1\"/&gt;  <tr> <td>U-29</td> <td>"</td> <td>"</td> <td>V-675</td> <td>122</td> <td>1/2</td> <td>2900</td> <td>1\"/&gt;  <tr> <td>U-30</td> <td>"</td> <td>"</td> <td>V-675</td> <td>122</td> <td>1/2</td> <td>2900</td> <td>1\"/&gt;  <tr> <td>U-31</td> <td>"</td> <td>"</td> <td>V-675</td> <td>122</td> <td>1/2</td> <td>2900</td> <td>1\"/&gt;  <tr> <td>U-32</td> <td>"</td> <td>"</td> <td>V-675</td> <td>122</td> <td>1/2</td> <td>2900</td> <td>1\"/&gt;  <tr> <td>U-33</td> <td>"</td> <td>"</td> <td>V-675</td> <td>122</td> <td>1/2</td> <td>2900</td> <td>1\"/&gt;  <tr> <td>U-34</td> <td>"</td> <td>"</td> <td>V-675</td> <td>122</td> <td>1/2</td> <td>2900</td> <td>1\"/&gt;  <tr> <td>U-35</td> <td>"</td> <td>"</td> <td>V-675</td> <td>122</td> <td>1/2</td> <td>2900</td> <td>1\"/&gt;  <tr> <td>U-36</td> <td>"</td> <td>"</td> <td>V-675</td> <td>122</td> <td>1/2</td> <td>2900</td> <td>1\"/&gt;  <tr> <td>U-37</td> <td>"</td> <td>"</td> <td>V-675</td> <td>122</td> <td>1/2</td> <td>2900</td> <td>1\"/&gt;  <tr> <td>U-38</td> <td>"</td> <td>"</td> <td>V-675</td> <td>122</td> <td>1/2</td> <td>2900</td> <td>1\"/&gt;  <tr> <td>U-39</td> <td>"</td> <td>"</td>
<td>V-675</td> <td>122</td> <td>1/2</td> <td>2900</td> <td>1\"/&gt;  <tr> <td>U-40</td> <td>"</td> <td>"</td> <td>V-675</td> <td>122</td> <td>1/2</td> <td>2900</td> <td>1\"/&gt;  <tr> <td>U-41</td> <td>"</td> <td>"</td> <td>V-675</td> <td>122</td> <td>1/2</td> <td>2900</td> <td>1\"/&gt;  <tr> <td>U-42</td> <td>"</td> <td>"</td> <td>V-675</td> <td>122</td> <td>1/2</td> <td>2900</td> <td>1\"/&gt;  <tr> <td>U-43</td> <td>"</td> <td>"</td> <td>V-675</td> <td>122</td> <td>1/2</td> <td>2900</td> <td>1\"/&gt;  <tr> <td>U-44</td> <td>"</td> <td>"</td> <td>V-675</td> <td>122</td> <td>1/2</td> <td>2900</td> <td>1\"/&gt;  <tr> <td>U-45</td> <td>"</td> <td>"</td> <td>V-675</td> <td>122</td> <td>1/2</td> <td>2900</td> <td>1\"/&gt;  <tr> <td>U-46</td> <td>"</td> <td>"</td> <td>V-675</td> <td>122</td> <td>1/2</td> <td>2900</td> <td>1\"/&gt;  <tr> <td>U-47</td> <td>"</td> <td>"</td> <td>V-675</td> <td>122</td> <td>1/2</td> <td>2900</td> <td>1\"/&gt;  <tr> <td>U-48</td> <td>"</td> <td>"</td> <td>V-675</td> <td>122</td> <td>1/2</td> <td>2900</td> <td>1\"/&gt;  <tr> <td>U-49</td> <td>"</td> <td>"</td> <td>V-675</td> <td>122</td> <td>1/2</td> <td>2900</td> <td>1\"/&gt;  <tr> <td>U-50</td> <td>"</td> <td>"</td> <td>V-675</td> <td>122</td> <td>1/2</td> <td>2900</td> <td>1\"/&gt;  </td></tr></td></tr></td></tr></td></tr></td></tr></td></tr></td></tr></td></tr></td></tr></td></tr></td></tr></td></tr></td></tr></td></tr></td></tr></td></tr></td></tr></td></tr></td></tr></td></tr></td></tr></td></tr></td></tr></td></tr></td></tr></td></tr>  | U-25 | " | " | V-675 | 122 | 1/2 | 2900   | 1\"/> <tr> <td>U-26</td> <td>"</td> <td>"</td> <td>V-675</td> <td>122</td> <td>1/2</td> <td>2900</td> <td>1\"/&gt;  <tr> <td>U-27</td> <td>"</td> <td>"</td> <td>V-675</td> <td>122</td> <td>1/2</td> <td>2900</td> <td>1\"/&gt;  <tr> <td>U-28</td> <td>"</td> <td>"</td> <td>V-675</td> <td>122</td> <td>1/2</td> <td>2900</td> <td>1\"/&gt;  <tr> <td>U-29</td> <td>"</td> <td>"</td> <td>V-675</td> <td>122</td> <td>1/2</td> <td>2900</td> <td>1\"/&gt;  <tr> <td>U-30</td> <td>"</td> <td>"</td> <td>V-675</td> <td>122</td> <td>1/2</td> <td>2900</td> <td>1\"/&gt;  <tr> <td>U-31</td> <td>"</td> <td>"</td> <td>V-675</td> <td>122</td> <td>1/2</td> <td>2900</td> <td>1\"/&gt;  <tr> <td>U-32</td> <td>"</td> <td>"</td> <td>V-675</td> <td>122</td> <td>1/2</td> <td>2900</td> <td>1\"/&gt;  <tr> <td>U-33</td> <td>"</td> <td>"</td> <td>V-675</td> <td>122</td> <td>1/2</td> <td>2900</td> <td>1\"/&gt;  <tr> <td>U-34</td> <td>"</td> <td>"</td> <td>V-675</td> <td>122</td> <td>1/2</td> <td>2900</td> <td>1\"/&gt;  <tr> <td>U-35</td> <td>"</td> <td>"</td> <td>V-675</td> <td>122</td> <td>1/2</td> <td>2900</td> <td>1\"/&gt;  <tr> <td>U-36</td> <td>"</td> <td>"</td> <td>V-675</td> <td>122</td> <td>1/2</td> <td>2900</td> <td>1\"/&gt;  <tr> <td>U-37</td> <td>"</td> <td>"</td> <td>V-675</td> <td>122</td> <td>1/2</td> <td>2900</td> <td>1\"/&gt;  <tr> <td>U-38</td> <td>"</td> <td>"</td> <td>V-675</td> <td>122</td> <td>1/2</td> <td>2900</td> <td>1\"/&gt;  <tr> <td>U-39</td> <td>"</td> <td>"</td> <td>V-675</td> <td>122</td> <td>1/2</td> <td>2900</td> <td>1\"/&gt;  <tr> <td>U-40</td> <td>"</td> <td>"</td> <td>V-675</td> <td>122</td> <td>1/2</td> <td>2900</td> <td>1\"/&gt;  <tr> <td>U-41</td> <td>"</td> <td>"</td> <td>V-675</td> <td>122</td> <td>1/2</td> <td>2900</td> <td>1\"/&gt;  <tr> <td>U-42</td> <td>"</td> <td>"</td> <td>V-675</td> <td>122</td> <td>1/2</td> <td>2900</td> <td>1\"/&gt;  <tr> <td>U-43</td> <td>"</td> <td>"</td> <td>V-675</td> <td>122</td> <td>1/2</td> <td>2900</td> <td>1\"/&gt;  <tr> <td>U-44</td> <td>"</td> <td>"</td> <td>V-675</td> <td>122</td> <td>1/2</td> <td>2900</td> <td>1\"/&gt;  <tr> <td>U-45</td> <td>"</td> <td>"</td> <td>V-675</td> <td>122</td> <td>1/2</td> <td>2900</td> <td>1\"/&gt;  <tr> <td>U-46</td> <td>"</td> <td>"</td> <td>V-675</td> <td>122</td> <td>1/2</td> <td>2900</td> <td>1\"/&gt;  <tr> <td>U-47</td> <td>"</td> <td>"</td> <td>V-675</td> <td>122</td> <td>1/2</td> <td>2900</td> <td>1\"/&gt;  <tr> <td>U-48</td> <td>"</td> <td>"</td> <td>V-675</td> <td>122</td> <td>1/2</td> <td>2900</td> <td>1\"/&gt;  <tr> <td>U-49</td> <td>"</td> <td>"</td> <td>V-675</td> <td>122</td> <td>1/2</td> <td>2900</td> <td>1\"/&gt;  <tr> <td>U-50</td> <td>"</td> <td>"</td> <td>V-675</td> <td>122</td> <td>1/2</td> <td>2900</td> <td>1\"/&gt;  </td></tr></td></tr></td></tr></td></tr></td></tr></td></tr></td></tr></td></tr></td></tr></td></tr></td></tr></td></tr></td></tr></td></tr></td></tr></td></tr></td></tr></td></tr></td></tr></td></tr></td></tr></td></tr></td></tr></td></tr></td></tr>   | U-26 | " | " | V-675 | 122 | 1/2 | 2900    | 1\"/> <tr> <td>U-27</td> <td>"</td> <td>"</td> <td>V-675</td> <td>122</td> <td>1/2</td> <td>2900</td> <td>1\"/&gt;  <tr> <td>U-28</td> <td>"</td> <td>"</td> <td>V-675</td> <td>122</td> <td>1/2</td> <td>2900</td> <td>1\"/&gt;  <tr> <td>U-29</td> <td>"</td> <td>"</td> <td>V-675</td> <td>122</td> <td>1/2</td> <td>2900</td> <td>1\"/&gt;  <tr> <td>U-30</td> <td>"</td> <td>"</td> <td>V-675</td> <td>122</td> <td>1/2</td> <td>2900</td> <td>1\"/&gt;  <tr> <td>U-31</td> <td>"</td> <td>"</td> <td>V-675</td> <td>122</td> <td>1/2</td> <td>2900</td> <td>1\"/&gt;  <tr>
<td>U-32</td> <td>"</td> <td>"</td> <td>V-675</td> <td>122</td> <td>1/2</td> <td>2900</td> <td>1\"/&gt;  <tr> <td>U-33</td> <td>"</td> <td>"</td> <td>V-675</td> <td>122</td> <td>1/2</td> <td>2900</td> <td>1\"/&gt;  <tr> <td>U-34</td> <td>"</td> <td>"</td> <td>V-675</td> <td>122</td> <td>1/2</td> <td>2900</td> <td>1\"/&gt;  <tr> <td>U-35</td> <td>"</td> <td>"</td> <td>V-675</td> <td>122</td> <td>1/2</td> <td>2900</td> <td>1\"/&gt;  <tr> <td>U-36</td> <td>"</td> <td>"</td> <td>V-675</td> <td>122</td> <td>1/2</td> <td>2900</td> <td>1\"/&gt;  <tr> <td>U-37</td> <td>"</td> <td>"</td> <td>V-675</td> <td>122</td> <td>1/2</td> <td>2900</td> <td>1\"/&gt;  <tr> <td>U-38</td> <td>"</td> <td>"</td> <td>V-675</td> <td>122</td> <td>1/2</td> <td>2900</td> <td>1\"/&gt;  <tr> <td>U-39</td> <td>"</td> <td>"</td> <td>V-675</td> <td>122</td> <td>1/2</td> <td>2900</td> <td>1\"/&gt;  <tr> <td>U-40</td> <td>"</td> <td>"</td> <td>V-675</td> <td>122</td> <td>1/2</td> <td>2900</td> <td>1\"/&gt;  <tr> <td>U-41</td> <td>"</td> <td>"</td> <td>V-675</td> <td>122</td> <td>1/2</td> <td>2900</td> <td>1\"/&gt;  <tr> <td>U-42</td> <td>"</td> <td>"</td> <td>V-675</td> <td>122</td> <td>1/2</td> <td>2900</td> <td>1\"/&gt;  <tr> <td>U-43</td> <td>"</td> <td>"</td> <td>V-675</td> <td>122</td> <td>1/2</td> <td>2900</td> <td>1\"/&gt;  <tr> <td>U-44</td> <td>"</td> <td>"</td> <td>V-675</td> <td>122</td> <td>1/2</td> <td>2900</td> <td>1\"/&gt;  <tr> <td>U-45</td> <td>"</td> <td>"</td> <td>V-675</td> <td>122</td> <td>1/2</td> <td>2900</td> <td>1\"/&gt;  <tr> <td>U-46</td> <td>"</td> <td>"</td> <td>V-675</td> <td>122</td> <td>1/2</td> <td>2900</td> <td>1\"/&gt;  <tr> <td>U-47</td> <td>"</td> <td>"</td> <td>V-675</td> <td>122</td> <td>1/2</td> <td>2900</td> <td>1\"/&gt;  <tr> <td>U-48</td> <td>"</td> <td>"</td> <td>V-675</td> <td>122</td> <td>1/2</td> <td>2900</td> <td>1\"/&gt;  <tr> <td>U-49</td> <td>"</td> <td>"</td> <td>V-675</td> <td>122</td> <td>1/2</td> <td>2900</td> <td>1\"/&gt;  <tr> <td>U-50</td> <td>"</td> <td>"</td> <td>V-675</td> <td>122</td> <td>1/2</td> <td>2900</td> <td>1\"/&gt;  </td></tr></td></tr></td></tr></td></tr></td></tr></td></tr></td></tr></td></tr></td></tr></td></tr></td></tr></td></tr></td></tr></td></tr></td></tr></td></tr></td></tr></td></tr></td></tr></td></tr></td></tr></td></tr></td></tr></td></tr>  | U-27 | "           | "      | V-675  | 122  | 1/2 | 2900 | 1\"/> <tr> <td>U-28</td> <td>"</td> <td>"</td> <td>V-675</td> <td>122</td> <td>1/2</td> <td>2900</td> <td>1\"/&gt;  <tr> <td>U-29</td> <td>"</td> <td>"</td> <td>V-675</td> <td>122</td> <td>1/2</td> <td>2900</td> <td>1\"/&gt;  <tr> <td>U-30</td> <td>"</td> <td>"</td> <td>V-675</td> <td>122</td> <td>1/2</td> <td>2900</td> <td>1\"/&gt;  <tr> <td>U-31</td> <td>"</td> <td>"</td> <td>V-675</td> <td>122</td> <td>1/2</td> <td>2900</td> <td>1\"/&gt;  <tr> <td>U-32</td> <td>"</td> <td>"</td> <td>V-675</td> <td>122</td> <td>1/2</td> <td>2900</td> <td>1\"/&gt;  <tr> <td>U-33</td> <td>"</td> <td>"</td> <td>V-675</td> <td>122</td> <td>1/2</td> <td>2900</td> <td>1\"/&gt;  <tr> <td>U-34</td> <td>"</td> <td>"</td> <td>V-675</td> <td>122</td> <td>1/2</td> <td>2900</td> <td>1\"/&gt;  <tr> <td>U-35</td> <td>"</td> <td>"</td> <td>V-675</td> <td>122</td> <td>1/2</td> <td>2900</td> <td>1\"/&gt;  <tr> <td>U-36</td> <td>"</td> <td>"</td> <td>V-675</td> <td>122</td> <td>1/2</td> <td>2900</td> <td>1\"/&gt;  <tr> <td>U-37</td> <td>"</td> <td>"</td> <td>V-675</td> <td>122</td> <td>1/2</td> <td>2900</td> <td>1\"/&gt;  <tr> <td>U-38</td> <td>"</td> <td>"</td> <td>V-675</td> <td>122</td> <td>1/2</td> <td>2900</td> <td>1\"/&gt;  <tr> <td>U-39</td> <td>"</td> <td>"</td> <td>V-675</td> <td>122</td> <td>1/2</td> <td>2900</td> <td>1\"/&gt;  <tr> <td>U-40</td> <td>"</td> <td>"</td> <td>V-675</td> <td>122</td> <td>1/2</td> <td>2900</td> <td>1\"/&gt;  <tr> <td>U-41</td> <td>"</td> <td>"</td> <td>V-675</td> <td>122</td> <td>1/2</td> <td>2900</td> <td>1\"/&gt;  <tr> <td>U-42</td> <td>"</td> <td>"</td> <td>V-675</td> <td>122</td> <td>1/2</td> <td>2900</td> <td>1\"/&gt;  <tr> <td>U-43</td> <td>"</td> <td>"</td> <td>V-675</td> <td>122</td> <td>1/2</td> <td>2900</td> <td>1\"/&gt;  <tr> <td>U-44</td> <td>"</td> <td>"</td> <td>V-675</td> <td>122</td> <td>1/2</td> <td>2900</td> <td>1\"/&gt;  <tr> <td>U-45</td> <td>"</td> <td>"</td> <td>V-675</td> <td>122</td> <td>1/2</td> <td>2900</td> <td>1\"/&gt;  <tr> <td>U-46</td> <td>"</td> <td>"</td> <td>V-675</td> <td>122</td> <td>1/2</td> <td>2900</td> <td>1\"/&gt;  <tr> <td>U-47</td> <td>"</td> <td>"</td> <td>V-675</td> <td>122</td> <td>1/2</td> <td>2900</td> <td>1\"/&gt;  <tr> <td>U-48</td> <td>"</td> <td>"</td> <td>V-675</td> <td>122</td> <td>1/2</td> <td>2900</td> <td>1\"/&gt;  <tr> <td>U-49</td> <td>"</td> <td>"</td> <td>V-675</td> <td>122</td> <td>1/2</td> <td>2900</td> <td>1\"/&gt;  <tr> <td>U-50</td> <td>"</td> <td>"</td> <td>V-675</td> <td>122</td> <td>1/2</td> <td>2900</td> <td>1\"/&gt;  </td></tr></td></tr></td></tr></td></tr></td></tr></td></tr></td></tr></td></tr></td></tr></td></tr></td></tr></td></tr></td></tr></td></tr></td></tr></td></tr></td></tr></td></tr></td></tr></td></tr></td></tr></td></tr></td></tr>   
  | U-28 | " | " | V-675  | 122  | 1/2 | 2900 | 1\"/> <tr> <td>U-29</td> <td>"</td> <td>"</td> <td>V-675</td> <td>122</td> <td>1/2</td> <td>2900</td> <td>1\"/&gt;  <tr> <td>U-30</td> <td>"</td> <td>"</td> <td>V-675</td> <td>122</td> <td>1/2</td> <td>2900</td> <td>1\"/&gt;  <tr> <td>U-31</td> <td>"</td> <td>"</td> <td>V-675</td> <td>122</td> <td>1/2</td> <td>2900</td> <td>1\"/&gt;  <tr> <td>U-32</td> <td>"</td> <td>"</td> <td>V-675</td> <td>122</td> <td>1/2</td> <td>2900</td> <td>1\"/&gt;  <tr> <td>U-33</td> <td>"</td> <td>"</td> <td>V-675</td> <td>122</td> <td>1/2</td> <td>2900</td> <td>1\"/&gt;  <tr> <td>U-34</td> <td>"</td> <td>"</td> <td>V-675</td> <td>122</td> <td>1/2</td> <td>2900</td> <td>1\"/&gt;  <tr> <td>U-35</td> <td>"</td> <td>"</td> <td>V-675</td> <td>122</td> <td>1/2</td> <td>2900</td> <td>1\"/&gt;  <tr> <td>U-36</td> <td>"</td> <td>"</td> <td>V-675</td> <td>122</td> <td>1/2</td> <td>2900</td> <td>1\"/&gt;  <tr> <td>U-37</td> <td>"</td> <td>"</td> <td>V-675</td> <td>122</td> <td>1/2</td> <td>2900</td> <td>1\"/&gt;  <tr> <td>U-38</td> <td>"</td> <td>"</td> <td>V-675</td> <td>122</td> <td>1/2</td> <td>2900</td> <td>1\"/&gt;  <tr> <td>U-39</td> <td>"</td> <td>"</td> <td>V-675</td> <td>122</td> <td>1/2</td> <td>2900</td> <td>1\"/&gt;  <tr> <td>U-40</td> <td>"</td> <td>"</td> <td>V-675</td> <td>122</td> <td>1/2</td> <td>2900</td> <td>1\"/&gt;  <tr> <td>U-41</td> <td>"</td> <td>"</td> <td>V-675</td> <td>122</td> <td>1/2</td> <td>2900</td> <td>1\"/&gt;  <tr> <td>U-42</td> <td>"</td> <td>"</td> <td>V-675</td> <td>122</td> <td>1/2</td> <td>2900</td> <td>1\"/&gt;  <tr> <td>U-43</td> <td>"</td> <td>"</td> <td>V-675</td> <td>122</td> <td>1/2</td> <td>2900</td> <td>1\"/&gt;  <tr> <td>U-44</td> <td>"</td> <td>"</td> <td>V-675</td> <td>122</td> <td>1/2</td> <td>2900</td> <td>1\"/&gt;  <tr> <td>U-45</td> <td>"</td> <td>"</td> <td>V-675</td> <td>122</td> <td>1/2</td> <td>2900</td> <td>1\"/&gt;  <tr> <td>U-46</td> <td>"</td> <td>"</td> <td>V-675</td> <td>122</td> <td>1/2</td> <td>2900</td> <td>1\"/&gt;  <tr> <td>U-47</td> <td>"</td> <td>"</td> <td>V-675</td> <td>122</td> <td>1/2</td> <td>2900</td> <td>1\"/&gt;  <tr> <td>U-48</td> <td>"</td> <td>"</td> <td>V-675</td> <td>122</td> <td>1/2</td> <td>2900</td> <td>1\"/&gt;  <tr> <td>U-49</td> <td>"</td> <td>"</td> <td>V-675</td> <td>122</td> <td>1/2</td> <td>2900</td> <td>1\"/&gt;  <tr> <td>U-50</td> <td>"</td> <td>"</td> <td>V-675</td> <td>122</td> <td>1/2</td> <td>2900</td> <td>1\"/&gt;  </td></tr></td></tr></td></tr></td></tr></td></tr></td></tr></td></tr></td></tr></td></tr></td></tr></td></tr></td></tr></td></tr></td></tr></td></tr></td></tr></td></tr></td></tr></td></tr></td></tr></td></tr></td></tr>   | U-29 | " | " | V-675  | 122 | 1/2 | 2900 | 1\"/> <tr> <td>U-30</td> <td>"</td> <td>"</td> <td>V-675</td> <td>122</td> <td>1/2</td> <td>2900</td> <td>1\"/&gt;  <tr> <td>U-31</td> <td>"</td> <td>"</td> <td>V-675</td> <td>122</td> <td>1/2</td> <td>2900</td> <td>1\"/&gt;  <tr> <td>U-32</td> <td>"</td> <td>"</td> <td>V-675</td> <td>122</td> <td>1/2</td> <td>2900</td> <td>1\"/&gt;  <tr> <td>U-33</td> <td>"</td> <td>"</td> <td>V-675</td> <td>122</td> <td>1/2</td> <td>2900</td> <td>1\"/&gt;  <tr> <td>U-34</td> <td>"</td> <td>"</td> <td>V-675</td> <td>122</td> <td>1/2</td> <td>2900</td> <td>1\"/&gt;  <tr> <td>U-35</td> <td>"</td> <td>"</td> <td>V-675</td> <td>122</td> <td>1/2</td> <td>2900</td> <td>1\"/&gt;  <tr> <td>U-36</td> <td>"</td> <td>"</td> <td>V-675</td> <td>122</td> <td>1/2</td> <td>2900</td> <td>1\"/&gt;  <tr> <td>U-37</td> <td>"</td> <td>"</td> <td>V-675</td> <td>122</td> <td>1/2</td> <td>2900</td> <td>1\"/&gt;  <tr> <td>U-38</td> <td>"</td> <td>"</td> <td>V-675</td> <td>122</td> <td>1/2</td> <td>2900</td> <td>1\"/&gt;  <tr> <td>U-39</td> <td>"</td> <td>"</td> <td>V-675</td> <td>122</td> <td>1/2</td> <td>2900</td> <td>1\"/&gt;  <tr> <td>U-40</td> <td>"</td> <td>"</td> <td>V-675</td> <td>122</td> <td>1/2</td> <td>2900</td> <td>1\"/&gt;  <tr> <td>U-41</td> <td>"</td> <td>"</td> <td>V-675</td> <td>122</td> <td>1/2</td> <td>2900</td> <td>1\"/&gt;  <tr> <td>U-42</td> <td>"</td> <td>"</td> <td>V-675</td> <td>122</td> <td>1/2</td> <td>2900</td> <td>1\"/&gt;  <tr> <td>U-43</td> <td>"</td> <td>"</td> <td>V-675</td> <td>122</td> <td>1/2</td> <td>2900</td> <td>1\"/&gt;  <tr> <td>U-44</td> <td>"</td> <td>"</td> <td>V-675</td> <td>122</td> <td>1/2</td> <td>2900</td> <td>1\"/&gt;  <tr> <td>U-45</td> <td>"</td> <td>"</td> <td>V-675</td> <td>122</td> <td>1/2</td> <td>2900</td> <td>1\"/&gt;  <tr> <td>U-46</td> <td>"</td> <td>"</td> <td>V-675</td> <td>122</td> <td>1/2</td> <td>2900</td> <td>1\"/&gt;  <tr> <td>U-47</td> <td>"</td> <td>"</td> <td>V-675</td> <td>122</td> <td>1/2</td> <td>2900</td> <td>1\"/&gt;  <tr> <td>U-48</td> <td>"</td> <td>"</td> <td>V-675</td> <td>122</td> <td>1/2</td> <td>2900</td> <td>1\"/&gt;  <tr> <td>U-49</td> <td>"</td> <td>"</td> <td>V-675</td> <td>122</td> <td>1/2</td> <td>2900</td> <td>1\"/&gt;  <tr> <td>U-50</td> <td>"</td> <td>"</td> <td>V-675</td> <td>122</td> <td>1/2</td> <td>2900</td> <td>1\"/&gt;  </td></tr></td></tr></td></tr></td></tr></td></tr></td></tr></td></tr></td></tr></td></tr></td></tr></td></tr></td></tr></td></tr></td></tr></td></tr></td></tr></td></tr></td></tr></td></tr></td></tr></td></tr>   
   | U-30 | " | " | V-675 | 122 | 1/2 | 2900 | 1\"/> <tr> <td>U-31</td> <td>"</td> <td>"</td> <td>V-675</td> <td>122</td> <td>1/2</td> <td>2900</td> <td>1\"/&gt;  <tr> <td>U-32</td> <td>"</td> <td>"</td> <td>V-675</td> <td>122</td> <td>1/2</td> <td>2900</td> <td>1\"/&gt;  <tr> <td>U-33</td> <td>"</td> <td>"</td> <td>V-675</td> <td>122</td> <td>1/2</td> <td>2900</td> <td>1\"/&gt;  <tr> <td>U-34</td> <td>"</td> <td>"</td> <td>V-675</td> <td>122</td> <td>1/2</td> <td>2900</td> <td>1\"/&gt;  <tr> <td>U-35</td> <td>"</td> <td>"</td> <td>V-675</td> <td>122</td> <td>1/2</td> <td>2900</td> <td>1\"/&gt;  <tr> <td>U-36</td> <td>"</td> <td>"</td> <td>V-675</td> <td>122</td> <td>1/2</td> <td>2900</td> <td>1\"/&gt;  <tr> <td>U-37</td> <td>"</td> <td>"</td> <td>V-675</td> <td>122</td> <td>1/2</td> <td>2900</td> <td>1\"/&gt;  <tr> <td>U-38</td> <td>"</td> <td>"</td> <td>V-675</td> <td>122</td> <td>1/2</td> <td>2900</td> <td>1\"/&gt;  <tr> <td>U-39</td> <td>"</td> <td>"</td> <td>V-675</td> <td>122</td> <td>1/2</td> <td>2900</td> <td>1\"/&gt;  <tr> <td>U-40</td> <td>"</td> <td>"</td> <td>V-675</td> <td>122</td> <td>1/2</td> <td>2900</td> <td>1\"/&gt;  <tr> <td>U-41</td> <td>"</td> <td>"</td> <td>V-675</td> <td>122</td> <td>1/2</td> <td>2900</td> <td>1\"/&gt;  <tr> <td>U-42</td> <td>"</td> <td>"</td> <td>V-675</td> <td>122</td> <td>1/2</td> <td>2900</td> <td>1\"/&gt;  <tr> <td>U-43</td> <td>"</td> <td>"</td> <td>V-675</td> <td>122</td> <td>1/2</td> <td>2900</td> <td>1\"/&gt;  <tr> <td>U-44</td> <td>"</td> <td>"</td> <td>V-675</td> <td>122</td> <td>1/2</td> <td>2900</td> <td>1\"/&gt;  <tr> <td>U-45</td> <td>"</td> <td>"</td> <td>V-675</td> <td>122</td> <td>1/2</td> <td>2900</td> <td>1\"/&gt;  <tr> <td>U-46</td> <td>"</td> <td>"</td> <td>V-675</td> <td>122</td> <td>1/2</td> <td>2900</td> <td>1\"/&gt;  <tr> <td>U-47</td> <td>"</td> <td>"</td> <td>V-675</td> <td>122</td> <td>1/2</td> <td>2900</td> <td>1\"/&gt;  <tr> <td>U-48</td> <td>"</td> <td>"</td> <td>V-675</td> <td>122</td> <td>1/2</td> <td>2900</td> <td>1\"/&gt;  <tr> <td>U-49</td> <td>"</td> <td>"</td> <td>V-675</td> <td>122</td> <td>1/2</td> <td>2900</td> <td>1\"/&gt;  <tr> <td>U-50</td> <td>"</td> <td>"</td> <td>V-675</td> <td>122</td> <td>1/2</td> <td>2900</td> <td>1\"/&gt;  </td></tr></td></tr></td></tr></td></tr></td></tr></td></tr></td></tr></td></tr></td></tr></td></tr></td></tr></td></tr></td></tr></td></tr></td></tr></td></tr></td></tr></td></tr></td></tr></td></tr>  | U-31 | " | " | V-675 | 122 | 1/2 | 2900 | 1\"/> <tr> <td>U-32</td> <td>"</td> <td>"</td> <td>V-675</td> <td>122</td> <td>1/2</td> <td>2900</td> <td>1\"/&gt;  <tr> <td>U-33</td> <td>"</td> <td>"</td> <td>V-675</td> <td>122</td> <td>1/2</td> <td>2900</td> <td>1\"/&gt;  <tr> <td>U-34</td> <td>"</td> <td>"</td> <td>V-675</td> <td>122</td> <td>1/2</td> <td>2900</td> <td>1\"/&gt;  <tr> <td>U-35</td> <td>"</td> <td>"</td> <td>V-675</td> <td>122</td> <td>1/2</td> <td>2900</td> <td>1\"/&gt;  <tr> <td>U-36</td> <td>"</td> <td>"</td> <td>V-675</td> <td>122</td> <td>1/2</td> <td>2900</td> <td>1\"/&gt;  <tr> <td>U-37</td> <td>"</td> <td>"</td> <td>V-675</td> <td>122</td> <td>1/2</td> <td>2900</td> <td>1\"/&gt;  <tr> <td>U-38</td> <td>"</td> <td>"</td> <td>V-675</td> <td>122</td> <td>1/2</td> <td>2900</td> <td>1\"/&gt;  <tr> <td>U-39</td> <td>"</td> <td>"</td> <td>V-675</td> <td>122</td> <td>1/2</td> <td>2900</td> <td>1\"/&gt;  <tr> <td>U-40</td> <td>"</td> <td>"</td> <td>V-675</td> <td>122</td> <td>1/2</td> <td>2900</td> <td>1\"/&gt;  <tr> <td>U-41</td> <td>"</td> <td>"</td> <td>V-675</td> <td>122</td> <td>1/2</td> <td>2900</td> <td>1\"/&gt;  <tr> <td>U-42</td> <td>"</td> <td>"</td> <td>V-675</td> <td>122</td> <td>1/2</td> <td>2900</td> <td>1\"/&gt;  <tr> <td>U-43</td> <td>"</td> <td>"</td> <td>V-675</td> <td>122</td> <td>1/2</td> <td>2900</td> <td>1\"/&gt;  <tr> <td>U-44</td> <td>"</td> <td>"</td> <td>V-675</td> <td>122</td> <td>1/2</td> <td>2900</td> <td>1\"/&gt;  <tr> <td>U-45</td> <td>"</td> <td>"</td> <td>V-675</td> <td>122</td> <td>1/2</td> <td>2900</td> <td>1\"/&gt;  <tr> <td>U-46</td> <td>"</td> <td>"</td> <td>V-675</td> <td>122</td> <td>1/2</td> <td>2900</td> <td>1\"/&gt;  <tr> <td>U-47</td> <td>"</td> <td>"</td> <td>V-675</td> <td>122</td> <td>1/2</td> <td>2900</td> <td>1\"/&gt;  <tr> <td>U-48</td> <td>"</td> <td>"</td> <td>V-675</td> <td>122</td> <td>1/2</td> <td>2900</td> <td>1\"/&gt;  <tr> <td>U-49</td> <td>"</td> <td>"</td> <td>V-675</td> <td>122</td> <td>1/2</td> <td>2900</td> <td>1\"/&gt;  <tr> <td>U-50</td> <td>"</td> <td>"</td> <td>V-675</td> <td>122</td> <td>1/2</td> <td>2900</td> <td>1\"/&gt; 
</td></tr></td></tr></td></tr></td></tr></td></tr></td></tr></td></tr></td></tr></td></tr></td></tr></td></tr></td></tr></td></tr></td></tr></td></tr></td></tr></td></tr></td></tr></td></tr>   | U-32 | " | " | V-675 | 122 | 1/2 | 2900 | 1\"/> <tr> <td>U-33</td> <td>"</td> <td>"</td> <td>V-675</td> <td>122</td> <td>1/2</td> <td>2900</td> <td>1\"/&gt;  <tr> <td>U-34</td> <td>"</td> <td>"</td> <td>V-675</td> <td>122</td> <td>1/2</td> <td>2900</td> <td>1\"/&gt;  <tr> <td>U-35</td> <td>"</td> <td>"</td> <td>V-675</td> <td>122</td> <td>1/2</td> <td>2900</td> <td>1\"/&gt;  <tr> <td>U-36</td> <td>"</td> <td>"</td> <td>V-675</td> <td>122</td> <td>1/2</td> <td>2900</td> <td>1\"/&gt;  <tr> <td>U-37</td> <td>"</td> <td>"</td> <td>V-675</td> <td>122</td> <td>1/2</td> <td>2900</td> <td>1\"/&gt;  <tr> <td>U-38</td> <td>"</td> <td>"</td> <td>V-675</td> <td>122</td> <td>1/2</td> <td>2900</td> <td>1\"/&gt;  <tr> <td>U-39</td> <td>"</td> <td>"</td> <td>V-675</td> <td>122</td> <td>1/2</td> <td>2900</td> <td>1\"/&gt;  <tr> <td>U-40</td> <td>"</td> <td>"</td> <td>V-675</td> <td>122</td> <td>1/2</td> <td>2900</td> <td>1\"/&gt;  <tr> <td>U-41</td> <td>"</td> <td>"</td> <td>V-675</td> <td>122</td> <td>1/2</td> <td>2900</td> <td>1\"/&gt;  <tr> <td>U-42</td> <td>"</td> <td>"</td> <td>V-675</td> <td>122</td> <td>1/2</td> <td>2900</td> <td>1\"/&gt;  <tr> <td>U-43</td> <td>"</td> <td>"</td> <td>V-675</td> <td>122</td> <td>1/2</td> <td>2900</td> <td>1\"/&gt;  <tr> <td>U-44</td> <td>"</td> <td>"</td> <td>V-675</td> <td>122</td> <td>1/2</td> <td>2900</td> <td>1\"/&gt;  <tr> <td>U-45</td> <td>"</td> <td>"</td> <td>V-675</td> <td>122</td> <td>1/2</td> <td>2900</td> <td>1\"/&gt;  <tr> <td>U-46</td> <td>"</td> <td>"</td> <td>V-675</td> <td>122</td> <td>1/2</td> <td>2900</td> <td>1\"/&gt;  <tr> <td>U-47</td> <td>"</td> <td>"</td> <td>V-675</td> <td>122</td> <td>1/2</td> <td>2900</td> <td>1\"/&gt;  <tr> <td>U-48</td> <td>"</td> <td>"</td> <td>V-675</td> <td>122</td> <td>1/2</td> <td>2900</td> <td>1\"/&gt;  <tr> <td>U-49</td> <td>"</td> <td>"</td> <td>V-675</td> <td>122</td> <td>1/2</td> <td>2900</td> <td>1\"/&gt;  <tr> <td>U-50</td> <td>"</td> <td>"</td> <td>V-675</td> <td>122</td> <td>1/2</td> <td>2900</td> <td>1\"/&gt;  </td></tr></td></tr></td></tr></td></tr></td></tr></td></tr></td></tr></td></tr></td></tr></td></tr></td></tr></td></tr></td></tr></td></tr></td></tr></td></tr></td></tr></td></tr>  | U-33 | " | " | V-675 | 122 | 1/2 | 2900 | 1\"/> <tr> <td>U-34</td> <td>"</td> <td>"</td> <td>V-675</td> <td>122</td> <td>1/2</td> <td>2900</td> <td>1\"/&gt;  <tr> <td>U-35</td> <td>"</td> <td>"</td> <td>V-675</td> <td>122</td> <td>1/2</td> <td>2900</td> <td>1\"/&gt;  <tr> <td>U-36</td> <td>"</td> <td>"</td> <td>V-675</td> <td>122</td> <td>1/2</td> <td>2900</td> <td>1\"/&gt;  <tr> <td>U-37</td> <td>"</td> <td>"</td> <td>V-675</td> <td>122</td> <td>1/2</td> <td>2900</td> <td>1\"/&gt;  <tr> <td>U-38</td> <td>"</td> <td>"</td> <td>V-675</td> <td>122</td> <td>1/2</td> <td>2900</td> <td>1\"/&gt;  <tr> <td>U-39</td> <td>"</td> <td>"</td> <td>V-675</td> <td>122</td> <td>1/2</td> <td>2900</td> <td>1\"/&gt;  <tr> <td>U-40</td> <td>"</td> <td>"</td> <td>V-675</td> <td>122</td> <td>1/2</td> <td>2900</td> <td>1\"/&gt;  <tr> <td>U-41</td> <td>"</td> <td>"</td> <td>V-675</td> <td>122</td> <td>1/2</td> <td>2900</td> <td>1\"/&gt;  <tr> <td>U-42</td> <td>"</td> <td>"</td> <td>V-675</td> <td>122</td> <td>1/2</td> <td>2900</td> <td>1\"/&gt;  <tr> <td>U-43</td> <td>"</td> <td>"</td> <td>V-675</td> <td>122</td> <td>1/2</td> <td>2900</td> <td>1\"/&gt;  <tr> <td>U-44</td> <td>"</td> <td>"</td> <td>V-675</td> <td>122</td> <td>1/2</td> <td>2900</td> <td>1\"/&gt;  <tr> <td>U-45</td> <td>"</td> <td>"</td> <td>V-675</td> <td>122</td> <td>1/2</td> <td>2900</td>
<td>1\"/&gt;  <tr> <td>U-46</td> <td>"</td> <td>"</td> <td>V-675</td> <td>122</td> <td>1/2</td> <td>2900</td> <td>1\"/&gt;  <tr> <td>U-47</td> <td>"</td> <td>"</td> <td>V-675</td> <td>122</td> <td>1/2</td> <td>2900</td> <td>1\"/&gt;  <tr> <td>U-48</td> <td>"</td> <td>"</td> <td>V-675</td> <td>122</td> <td>1/2</td> <td>2900</td> <td>1\"/&gt;  <tr> <td>U-49</td> <td>"</td> <td>"</td> <td>V-675</td> <td>122</td> <td>1/2</td> <td>2900</td> <td>1\"/&gt;  <tr> <td>U-50</td> <td>"</td> <td>"</td> <td>V-675</td> <td>122</td> <td>1/2</td> <td>2900</td> <td>1\"/&gt;  </td></tr></td></tr></td></tr></td></tr></td></tr></td></tr></td></tr></td></tr></td></tr></td></tr></td></tr></td></tr></td></tr></td></tr></td></tr></td></tr></td></tr>   | U-34 | " | " | V-675 | 122 | 1/2 | 2900 | 1\"/> <tr> <td>U-35</td> <td>"</td> <td>"</td> <td>V-675</td> <td>122</td> <td>1/2</td> <td>2900</td> <td>1\"/&gt;  <tr> <td>U-36</td> <td>"</td> <td>"</td> <td>V-675</td> <td>122</td> <td>1/2</td> <td>2900</td> <td>1\"/&gt;  <tr> <td>U-37</td> <td>"</td> <td>"</td> <td>V-675</td> <td>122</td> <td>1/2</td> <td>2900</td> <td>1\"/&gt;  <tr> <td>U-38</td> <td>"</td> <td>"</td> <td>V-675</td> <td>122</td> <td>1/2</td> <td>2900</td> <td>1\"/&gt;  <tr> <td>U-39</td> <td>"</td> <td>"</td> <td>V-675</td> <td>122</td> <td>1/2</td> <td>2900</td> <td>1\"/&gt;  <tr> <td>U-40</td> <td>"</td> <td>"</td> <td>V-675</td> <td>122</td> <td>1/2</td> <td>2900</td> <td>1\"/&gt;  <tr> <td>U-41</td> <td>"</td> <td>"</td> <td>V-675</td> <td>122</td> <td>1/2</td> <td>2900</td> <td>1\"/&gt;  <tr> <td>U-42</td> <td>"</td> <td>"</td> <td>V-675</td> <td>122</td> <td>1/2</td> <td>2900</td> <td>1\"/&gt;  <tr> <td>U-43</td> <td>"</td> <td>"</td> <td>V-675</td> <td>122</td> <td>1/2</td> <td>2900</td> <td>1\"/&gt;  <tr> <td>U-44</td> <td>"</td> <td>"</td> <td>V-675</td> <td>122</td> <td>1/2</td> <td>2900</td> <td>1\"/&gt;  <tr> <td>U-45</td> <td>"</td> <td>"</td> <td>V-675</td> <td>122</td> <td>1/2</td> <td>2900</td> <td>1\"/&gt;  <tr> <td>U-46</td> <td>"</td> <td>"</td> <td>V-675</td> <td>122</td> <td>1/2</td> <td>2900</td> <td>1\"/&gt;  <tr> <td>U-47</td> <td>"</td> <td>"</td> <td>V-675</td> <td>122</td> <td>1/2</td> <td>2900</td> <td>1\"/&gt;  <tr> <td>U-48</td> <td>"</td> <td>"</td> <td>V-675</td> <td>122</td> <td>1/2</td> <td>2900</td> <td>1\"/&gt;  <tr> <td>U-49</td> <td>"</td> <td>"</td> <td>V-675</td> <td>122</td> <td>1/2</td> <td>2900</td> <td>1\"/&gt;  <tr> <td>U-50</td> <td>"</td> <td>"</td> <td>V-675</td> <td>122</td> <td>1/2</td> <td>2900</td> <td>1\"/&gt;  </td></tr></td></tr></td></tr></td></tr></td></tr></td></tr></td></tr></td></tr></td></tr></td></tr></td></tr></td></tr></td></tr></td></tr></td></tr></td></tr>  | U-35 | " | " | V-675 | 122 | 1/2 | 2900 | 1\"/> <tr> <td>U-36</td> <td>"</td> <td>"</td> <td>V-675</td> <td>122</td> <td>1/2</td> <td>2900</td> <td>1\"/&gt;  <tr> <td>U-37</td> <td>"</td> <td>"</td> <td>V-675</td> <td>122</td> <td>1/2</td> <td>2900</td> <td>1\"/&gt;  <tr> <td>U-38</td> <td>"</td> <td>"</td> <td>V-675</td> <td>122</td> <td>1/2</td> <td>2900</td> <td>1\"/&gt;  <tr> <td>U-39</td> <td>"</td> <td>"</td> <td>V-675</td> <td>122</td> <td>1/2</td> <td>2900</td> <td>1\"/&gt;  <tr> <td>U-40</td> <td>"</td> <td>"</td> <td>V-675</td> <td>122</td> <td>1/2</td> <td>2900</td> <td>1\"/&gt;  <tr> <td>U-41</td> <td>"</td> <td>"</td> <td>V-675</td> <td>122</td> <td>1/2</td> <td>2900</td> <td>1\"/&gt;  <tr> <td>U-42</td> <td>"</td> <td>"</td> <td>V-675</td> <td>122</td> <td>1/2</td> <td>2900</td> <td>1\"/&gt;  <tr> <td>U-43</td> <td>"</td> <td>"</td> <td>V-675</td> <td>122</td> <td>1/2</td> <td>2900</td> <td>1\"/&gt;  <tr> <td>U-44</td> <td>"</td> <td>"</td> <td>V-675</td> <td>122</td> <td>1/2</td> <td>2900</td> <td>1\"/&gt;  <tr>
<td>U-45</td> <td>"</td> <td>"</td> <td>V-675</td> <td>122</td> <td>1/2</td> <td>2900</td> <td>1\"/&gt;  <tr> <td>U-46</td> <td>"</td> <td>"</td> <td>V-675</td> <td>122</td> <td>1/2</td> <td>2900</td> <td>1\"/&gt;  <tr> <td>U-47</td> <td>"</td> <td>"</td> <td>V-675</td> <td>122</td> <td>1/2</td> <td>2900</td> <td>1\"/&gt;  <tr> <td>U-48</td> <td>"</td> <td>"</td> <td>V-675</td> <td>122</td> <td>1/2</td> <td>2900</td> <td>1\"/&gt;  <tr> <td>U-49</td> <td>"</td> <td>"</td> <td>V-675</td> <td>122</td> <td>1/2</td> <td>2900</td> <td>1\"/&gt;  <tr> <td>U-50</td> <td>"</td> <td>"</td> <td>V-675</td> <td>122</td> <td>1/2</td> <td>2900</td> <td>1\"/&gt;  </td></tr></td></tr></td></tr></td></tr></td></tr></td></tr></td></tr></td></tr></td></tr></td></tr></td></tr></td></tr></td></tr></td></tr></td></tr>   | U-36 | " | " | V-675 | 122 | 1/2 | 2900 | 1\"/> <tr> <td>U-37</td> <td>"</td> <td>"</td> <td>V-675</td> <td>122</td> <td>1/2</td> <td>2900</td> <td>1\"/&gt;  <tr> <td>U-38</td> <td>"</td> <td>"</td> <td>V-675</td> <td>122</td> <td>1/2</td> <td>2900</td> <td>1\"/&gt;  <tr> <td>U-39</td> <td>"</td> <td>"</td> <td>V-675</td> <td>122</td> <td>1/2</td> <td>2900</td> <td>1\"/&gt;  <tr> <td>U-40</td> <td>"</td> <td>"</td> <td>V-675</td> <td>122</td> <td>1/2</td> <td>2900</td> <td>1\"/&gt;  <tr> <td>U-41</td> <td>"</td> <td>"</td> <td>V-675</td> <td>122</td> <td>1/2</td> <td>2900</td> <td>1\"/&gt;  <tr> <td>U-42</td> <td>"</td> <td>"</td> <td>V-675</td> <td>122</td> <td>1/2</td> <td>2900</td> <td>1\"/&gt;  <tr> <td>U-43</td> <td>"</td> <td>"</td> <td>V-675</td> <td>122</td> <td>1/2</td> <td>2900</td> <td>1\"/&gt;  <tr> <td>U-44</td> <td>"</td> <td>"</td> <td>V-675</td> <td>122</td> <td>1/2</td> <td>2900</td> <td>1\"/&gt;  <tr> <td>U-45</td> <td>"</td> <td>"</td> <td>V-675</td> <td>122</td> <td>1/2</td> <td>2900</td> <td>1\"/&gt;  <tr> <td>U-46</td> <td>"</td> <td>"</td> <td>V-675</td> <td>122</td> <td>1/2</td> <td>2900</td> <td>1\"/&gt;  <tr> <td>U-47</td> <td>"</td> <td>"</td> <td>V-675</td> <td>122</td> <td>1/2</td> <td>2900</td> <td>1\"/&gt;  <tr> <td>U-48</td> <td>"</td> <td>"</td> <td>V-675</td> <td>122</td> <td>1/2</td> <td>2900</td> <td>1\"/&gt;  <tr> <td>U-49</td> <td>"</td> <td>"</td> <td>V-675</td> <td>122</td> <td>1/2</td> <td>2900</td> <td>1\"/&gt;  <tr> <td>U-50</td> <td>"</td> <td>"</td> <td>V-675</td> <td>122</td> <td>1/2</td> <td>2900</td> <td>1\"/&gt;  </td></tr></td></tr></td></tr></td></tr></td></tr></td></tr></td></tr></td></tr></td></tr></td></tr></td></tr></td></tr></td></tr></td></tr>   | U-37 | " | " | V-675 | 122 | 1/2 | 2900 | 1\"/> <tr> <td>U-38</td> <td>"</td> <td>"</td> <td>V-675</td> <td>122</td> <td>1/2</td> <td>2900</td> <td>1\"/&gt;  <tr> <td>U-39</td> <td>"</td> <td>"</td> <td>V-675</td> <td>122</td> <td>1/2</td> <td>2900</td> <td>1\"/&gt;  <tr> <td>U-40</td> <td>"</td> <td>"</td> <td>V-675</td> <td>122</td> <td>1/2</td> <td>2900</td> <td>1\"/&gt;  <tr> <td>U-41</td> <td>"</td> <td>"</td> <td>V-675</td> <td>122</td> <td>1/2</td> <td>2900</td> <td>1\"/&gt;  <tr> <td>U-42</td> <td>"</td> <td>"</td> <td>V-675</td> <td>122</td> <td>1/2</td> <td>2900</td> <td>1\"/&gt;  <tr> <td>U-43</td> <td>"</td> <td>"</td> <td>V-675</td> <td>122</td> <td>1/2</td> <td>2900</td> <td>1\"/&gt;  <tr> <td>U-44</td> <td>"</td> <td>"</td> <td>V-675</td> <td>122</td> <td>1/2</td> <td>2900</td> <td>1\"/&gt;  <tr> <td>U-45</td> <td>"</td> <td>"</td> <td>V-675</td> <td>122</td> <td>1/2</td> <td>2900</td> <td>1\"/&gt;  <tr> <td>U-46</td> <td>"</td> <td>"</td> <td>V-675</td> <td>122</td> <td>1/2</td> <td>2900</td> <td>1\"/&gt;  <tr> <td>U-47</td> <td>"</td> <td>"</td> <td>V-675</td> <td>122</td> <td>1/2</td> <td>2900</td> <td>1\"/&gt;  <tr> <td>U-48</td> <td>"</td> <td>"</td> <td>V-675</td> <td>122</td>
<td>1/2</td> <td>2900</td> <td>1\"/&gt;  <tr> <td>U-49</td> <td>"</td> <td>"</td> <td>V-675</td> <td>122</td> <td>1/2</td> <td>2900</td> <td>1\"/&gt;  <tr> <td>U-50</td> <td>"</td> <td>"</td> <td>V-675</td> <td>122</td> <td>1/2</td> <td>2900</td> <td>1\"/&gt;  </td></tr></td></tr></td></tr></td></tr></td></tr></td></tr></td></tr></td></tr></td></tr></td></tr></td></tr></td></tr></td></tr>   | U-38 | " | " | V-675 | 122 | 1/2 | 2900 | 1\"/> <tr> <td>U-39</td> <td>"</td> <td>"</td> <td>V-675</td> <td>122</td> <td>1/2</td> <td>2900</td> <td>1\"/&gt;  <tr> <td>U-40</td> <td>"</td> <td>"</td> <td>V-675</td> <td>122</td> <td>1/2</td> <td>2900</td> <td>1\"/&gt;  <tr> <td>U-41</td> <td>"</td> <td>"</td> <td>V-675</td> <td>122</td> <td>1/2</td> <td>2900</td> <td>1\"/&gt;  <tr> <td>U-42</td> <td>"</td> <td>"</td> <td>V-675</td> <td>122</td> <td>1/2</td> <td>2900</td> <td>1\"/&gt;  <tr> <td>U-43</td> <td>"</td> <td>"</td> <td>V-675</td> <td>122</td> <td>1/2</td> <td>2900</td> <td>1\"/&gt;  <tr> <td>U-44</td> <td>"</td> <td>"</td> <td>V-675</td> <td>122</td> <td>1/2</td> <td>2900</td> <td>1\"/&gt;  <tr> <td>U-45</td> <td>"</td> <td>"</td> <td>V-675</td> <td>122</td> <td>1/2</td> <td>2900</td> <td>1\"/&gt;  <tr> <td>U-46</td> <td>"</td> <td>"</td> <td>V-675</td> <td>122</td> <td>1/2</td> <td>2900</td> <td>1\"/&gt;  <tr> <td>U-47</td> <td>"</td> <td>"</td> <td>V-675</td> <td>122</td> <td>1/2</td> <td>2900</td> <td>1\"/&gt;  <tr> <td>U-48</td> <td>"</td> <td>"</td> <td>V-675</td> <td>122</td> <td>1/2</td> <td>2900</td> <td>1\"/&gt;  <tr> <td>U-49</td> <td>"</td> <td>"</td> <td>V-675</td> <td>122</td> <td>1/2</td> <td>2900</td> <td>1\"/&gt;  <tr> <td>U-50</td> <td>"</td> <td>"</td> <td>V-675</td> <td>122</td> <td>1/2</td> <td>2900</td> <td>1\"/&gt;  </td></tr></td></tr></td></tr></td></tr></td></tr></td></tr></td></tr></td></tr></td></tr></td></tr></td></tr></td></tr>   | U-39 | " | " | V-675 | 122 | 1/2 | 2900 | 1\"/> <tr> <td>U-40</td> <td>"</td> <td>"</td> <td>V-675</td> <td>122</td> <td>1/2</td> <td>2900</td> <td>1\"/&gt;  <tr> <td>U-41</td> <td>"</td> <td>"</td> <td>V-675</td> <td>122</td> <td>1/2</td> <td>2900</td> <td>1\"/&gt;  <tr> <td>U-42</td> <td>"</td> <td>"</td> <td>V-675</td> <td>122</td> <td>1/2</td> <td>2900</td> <td>1\"/&gt;  <tr> <td>U-43</td> <td>"</td> <td>"</td> <td>V-675</td> <td>122</td> <td>1/2</td> <td>2900</td> <td>1\"/&gt;  <tr> <td>U-44</td> <td>"</td> <td>"</td> <td>V-675</td> <td>122</td> <td>1/2</td> <td>2900</td> <td>1\"/&gt;  <tr> <td>U-45</td> <td>"</td> <td>"</td> <td>V-675</td> <td>122</td> <td>1/2</td> <td>2900</td> <td>1\"/&gt;  <tr> <td>U-46</td> <td>"</td> <td>"</td> <td>V-675</td> <td>122</td> <td>1/2</td> <td>2900</td> <td>1\"/&gt;  <tr> <td>U-47</td> <td>"</td> <td>"</td> <td>V-675</td> <td>122</td> <td>1/2</td> <td>2900</td> <td>1\"/&gt;  <tr> <td>U-48</td> <td>"</td> <td>"</td> <td>V-675</td> <td>122</td> <td>1/2</td> <td>2900</td> <td>1\"/&gt;  <tr> <td>U-49</td> <td>"</td> <td>"</td> <td>V-675</td> <td>122</td> <td>1/2</td> <td>2900</td> <td>1\"/&gt;  <tr> <td>U-50</td> <td>"</td> <td>"</td> <td>V-675</td> <td>122</td> <td>1/2</td> <td>2900</td> <td>1\"/&gt;  </td></tr></td></tr></td></tr></td></tr></td></tr></td></tr></td></tr></td></tr></td></tr></td></tr></td></tr>  
  | U-40 | " | " | V-675 | 122 | 1/2 | 2900 | 1\"/> <tr> <td>U-41</td> <td>"</td> <td>"</td> <td>V-675</td> <td>122</td> <td>1/2</td> <td>2900</td> <td>1\"/&gt;  <tr> <td>U-42</td> <td>"</td> <td>"</td> <td>V-675</td> <td>122</td> <td>1/2</td> <td>2900</td> <td>1\"/&gt;  <tr> <td>U-43</td> <td>"</td> <td>"</td> <td>V-675</td> <td>122</td> <td>1/2</td> <td>2900</td> <td>1\"/&gt;  <tr> <td>U-44</td> <td>"</td> <td>"</td> <td>V-675</td> <td>122</td> <td>1/2</td> <td>2900</td> <td>1\"/&gt;  <tr> <td>U-45</td> <td>"</td> <td>"</td> <td>V-675</td> <td>122</td> <td>1/2</td> <td>2900</td> <td>1\"/&gt;  <tr> <td>U-46</td> <td>"</td> <td>"</td> <td>V-675</td> <td>122</td> <td>1/2</td> <td>2900</td> <td>1\"/&gt;  <tr> <td>U-47</td> <td>"</td> <td>"</td> <td>V-675</td> <td>122</td> <td>1/2</td> <td>2900</td> <td>1\"/&gt;  <tr> <td>U-48</td> <td>"</td> <td>"</td> <td>V-675</td> <td>122</td> <td>1/2</td> <td>2900</td> <td>1\"/&gt;  <tr> <td>U-49</td> <td>"</td> <td>"</td> <td>V-675</td> <td>122</td> <td>1/2</td> <td>2900</td> <td>1\"/&gt;  <tr> <td>U-50</td> <td>"</td> <td>"</td> <td>V-675</td> <td>122</td> <td>1/2</td> <td>2900</td> <td>1\"/&gt;  </td></tr></td></tr></td></tr></td></tr></td></tr></td></tr></td></tr></td></tr></td></tr></td></tr>   | U-41 | " | " | V-675 | 122 | 1/2 | 2900 | 1\"/> <tr> <td>U-42</td> <td>"</td> <td>"</td> <td>V-675</td> <td>122</td> <td>1/2</td> <td>2900</td> <td>1\"/&gt;  <tr> <td>U-43</td> <td>"</td> <td>"</td> <td>V-675</td> <td>122</td> <td>1/2</td> <td>2900</td> <td>1\"/&gt;  <tr> <td>U-44</td> <td>"</td> <td>"</td> <td>V-675</td> <td>122</td> <td>1/2</td> <td>2900</td> <td>1\"/&gt;  <tr> <td>U-45</td> <td>"</td> <td>"</td> <td>V-675</td> <td>122</td> <td>1/2</td> <td>2900</td> <td>1\"/&gt;  <tr> <td>U-46</td> <td>"</td> <td>"</td> <td>V-675</td> <td>122</td> <td>1/2</td> <td>2900</td> <td>1\"/&gt;  <tr> <td>U-47</td> <td>"</td> <td>"</td> <td>V-675</td> <td>122</td> <td>1/2</td> <td>2900</td> <td>1\"/&gt;  <tr> <td>U-48</td> <td>"</td> <td>"</td> <td>V-675</td> <td>122</td> <td>1/2</td> <td>2900</td> <td>1\"/&gt;  <tr> <td>U-49</td> <td>"</td> <td>"</td> <td>V-675</td> <td>122</td> <td>1/2</td> <td>2900</td> <td>1\"/&gt;  <tr> <td>U-50</td> <td>"</td> <td>"</td> <td>V-675</td> <td>122</td> <td>1/2</td> <td>2900</td> <td>1\"/&gt;  </td></tr></td></tr></td></tr></td></tr></td></tr></td></tr></td></tr></td></tr></td></tr>  
  | U-42 | " | " | V-675 | 122 | 1/2 | 2900 | 1\"/> <tr> <td>U-43</td> <td>"</td> <td>"</td> <td>V-675</td> <td>122</td> <td>1/2</td> <td>2900</td> <td>1\"/&gt;  <tr> <td>U-44</td> <td>"</td> <td>"</td> <td>V-675</td> <td>122</td> <td>1/2</td> <td>2900</td> <td>1\"/&gt;  <tr> <td>U-45</td> <td>"</td> <td>"</td> <td>V-675</td> <td>122</td> <td>1/2</td> <td>2900</td> <td>1\"/&gt;  <tr> <td>U-46</td> <td>"</td> <td>"</td> <td>V-675</td> <td>122</td> <td>1/2</td> <td>2900</td> <td>1\"/&gt;  <tr> <td>U-47</td> <td>"</td> <td>"</td> <td>V-675</td> <td>122</td> <td>1/2</td> <td>2900</td> <td>1\"/&gt;  <tr> <td>U-48</td> <td>"</td> <td>"</td> <td>V-675</td> <td>122</td> <td>1/2</td> <td>2900</td> <td>1\"/&gt;  <tr> <td>U-49</td> <td>"</td> <td>"</td> <td>V-675</td> <td>122</td> <td>1/2</td> <td>2900</td> <td>1\"/&gt;  <tr> <td>U-50</td> <td>"</td> <td>"</td> <td>V-675</td> <td>122</td> <td>1/2</td> <td>2900</td> <td>1\"/&gt;  </td></tr></td></tr></td></tr></td></tr></td></tr></td></tr></td></tr></td></tr>   | U-43 | " | " | V-675 | 122 | 1/2 | 2900 | 1\"/> <tr> <td>U-44</td> <td>"</td> <td>"</td> <td>V-675</td> <td>122</td> <td>1/2</td> <td>2900</td> <td>1\"/&gt;  <tr> <td>U-45</td> <td>"</td> <td>"</td> <td>V-675</td> <td>122</td> <td>1/2</td> <td>2900</td> <td>1\"/&gt;  <tr> <td>U-46</td> <td>"</td> <td>"</td> <td>V-675</td> <td>122</td> <td>1/2</td> <td>2900</td> <td>1\"/&gt;  <tr> <td>U-47</td> <td>"</td> <td>"</td> <td>V-675</td> <td>122</td> <td>1/2</td> <td>2900</td> <td>1\"/&gt;  <tr> <td>U-48</td> <td>"</td> <td>"</td> <td>V-675</td> <td>122</td> <td>1/2</td> <td>2900</td> <td>1\"/&gt;  <tr> <td>U-49</td> <td>"</td> <td>"</td> <td>V-675</td> <td>122</td> <td>1/2</td> <td>2900</td> <td>1\"/&gt;  <tr> <td>U-50</td> <td>"</td> <td>"</td> <td>V-675</td> <td>122</td> <td>1/2</td> <td>2900</td> <td>1\"/&gt;  </td></tr></td></tr></td></tr></td></tr></td></tr></td></tr></td></tr>   | U-44 | " | " | V-675 | 122 | 1/2 | 2900 | 1\"/> <tr> <td>U-45</td> <td>"</td> <td>"</td> <td>V-675</td> <td>122</td> <td>1/2</td> <td>2900</td> <td>1\"/&gt;  <tr> <td>U-46</td> <td>"</td> <td>"</td> <td>V-675</td> <td>122</td> <td>1/2</td> <td>2900</td> <td>1\"/&gt;  <tr> <td>U-47</td> <td>"</td> <td>"</td> <td>V-675</td> <td>122</td> <td>1/2</td> <td>2900</td> <td>1\"/&gt;  <tr> <td>U-48</td> <td>"</td> <td>"</td> <td>V-675</td> <td>122</td> <td>1/2</td> <td>2900</td> <td>1\"/&gt;  <tr> <td>U-49</td> <td>"</td> <td>"</td> <td>V-675</td> <td>122</td> <td>1/2</td> <td>2900</td> <td>1\"/&gt;  <tr> <td>U-50</td>
<td>"</td> <td>"</td> <td>V-675</td> <td>122</td> <td>1/2</td> <td>2900</td> <td>1\"/&gt;  </td></tr></td></tr></td></tr></td></tr></td></tr></td></tr>   | U-45 | " | " | V-675 | 122 | 1/2 | 2900 | 1\"/> <tr> <td>U-46</td> <td>"</td> <td>"</td> <td>V-675</td> <td>122</td> <td>1/2</td> <td>2900</td> <td>1\"/&gt;  <tr> <td>U-47</td> <td>"</td> <td>"</td> <td>V-675</td> <td>122</td> <td>1/2</td> <td>2900</td> <td>1\"/&gt;  <tr> <td>U-48</td> <td>"</td> <td>"</td> <td>V-675</td> <td>122</td> <td>1/2</td> <td>2900</td> <td>1\"/&gt;  <tr> <td>U-49</td> <td>"</td> <td>"</td> <td>V-675</td> <td>122</td> <td>1/2</td> <td>2900</td> <td>1\"/&gt;  <tr> <td>U-50</td> <td>"</td> <td>"</td> <td>V-675</td> <td>122</td> <td>1/2</td> <td>2900</td> <td>1\"/&gt;  </td></tr></td></tr></td></tr></td></tr></td></tr>   | U-46 | " | " | V-675 | 122 | 1/2 | 2900 | 1\"/> <tr> <td>U-47</td> <td>"</td> <td>"</td> <td>V-675</td> <td>122</td> <td>1/2</td> <td>2900</td> <td>1\"/&gt;  <tr> <td>U-48</td> <td>"</td> <td>"</td> <td>V-675</td> <td>122</td> <td>1/2</td> <td>2900</td> <td>1\"/&gt;  <tr> <td>U-49</td> <td>"</td> <td>"</td> <td>V-675</td> <td>122</td> <td>1/2</td> <td>2900</td> <td>1\"/&gt;  <tr> <td>U-50</td> <td>"</td> <td>"</td> <td>V-675</td> <td>122</td> <td>1/2</td> <td>2900</td> <td>1\"/&gt;  </td></tr></td></tr></td></tr></td></tr>  
  | U-47 | " | " | V-675 | 122 | 1/2 | 2900 | 1\"/> <tr> <td>U-48</td> <td>"</td> <td>"</td> <td>V-675</td> <td>122</td> <td>1/2</td> <td>2900</td> <td>1\"/&gt;  <tr> <td>U-49</td> <td>"</td> <td>"</td> <td>V-675</td> <td>122</td> <td>1/2</td> <td>2900</td> <td>1\"/&gt;  <tr> <td>U-50</td> <td>"</td> <td>"</td> <td>V-675</td> <td>122</td> <td>1/2</td> <td>2900</td> <td>1\"/&gt;  </td></tr></td></tr></td></tr>   | U-48 | " | " | V-675 | 122 | 1/2 | 2900 | 1\"/> <tr> <td>U-49</td> <td>"</td> <td>"</td> <td>V-675</td> <td>122</td> <td>1/2</td> <td>2900</td> <td>1\"/&gt;  <tr> <td>U-50</td> <td>"</td> <td>"</td> <td>V-675</td> <td>122</td> <td>1/2</td> <td>2900</td> <td>1\"/&gt;  </td></tr></td></tr>   | U-49 | " | " | V-675 | 122 | 1/2 | 2900 | 1\"/> <tr> <td>U-50</td> <td>"</td> <td>"</td> <td>V-675</td> <td>122</td> <td>1/2</td> <td>2900</td> <td>1\"/&gt;  </td></tr>   
   | U-50 | " | " | V-675 | 122 | 1/2 | 2900 | 1\"/>  |      |   |   |       |     |     |      |  |      |   |   |       |     |     |      | | | | | | | | | | | | | | | | | | | | | | | | | | | | | | | | | | | | | | | | | |
  |      |   |   |       |     |     |      |  |      |   |   |       |     |     |      |  |      |   |   |       |     |     |      |  |      |   |   |       |     |     |      |   
  |      |   |   |       |     |     |      |  |      |   |   |       |     |     |      |  |      |   |   |       |     |     |      |  |      |   |   |       |     |     |      |  |      |   |   |       |     |     |      |  
   |      |   |   |       |     |     |      |  |      |   |   |       |     |     |      |  |      |   |   |       |     |     |      |  |      |   |   |       |     |     |      |  |      |   |   |       |     |     |      |  |      |   |   |       |     |     |      |  |      |   |   |       |     |     |      |   
  |      |   |   |       |     |     |      |  |      |   |   |       |     |     |      |  |      |   |   |       |     |     |      |  |      |   |   |       |     |     |      |  |      |   |   |       |     |     |      |  |      |   |   |       |     |     |      |  |      |   |   |       |     |     |      |  |      |   |   |       |     |     |      |       |
| U-22 | "             | "                       | V-675    | 122  | 1/2           | 2900    | 1\"/> <tr> <td>U-23</td> <td>"</td> <td>"</td> <td>V-675</td> <td>122</td> <td>1/2</td> <td>2900</td> <td>1\"/&gt;  <tr> <td>U-24</td> <td>"</td> <td>"</td> <td>V-675</td> <td>122</td> <td>1/2</td> <td>2900</td> <td>1\"/&gt;  <tr> <td>U-25</td> <td>"</td> <td>"</td> <td>V-675</td> <td>122</td> <td>1/2</td> <td>2900</td> <td>1\"/&gt;  <tr> <td>U-26</td> <td>"</td> <td>"</td> <td>V-675</td> <td>122</td> <td>1/2</td> <td>2900</td> <td>1\"/&gt;  <tr> <td>U-27</td> <td>"</td> <td>"</td> <td>V-675</td> <td>122</td> <td>1/2</td> <td>2900</td> <td>1\"/&gt;  <tr> <td>U-28</td> <td>"</td> <td>"</td> <td>V-675</td> <td>122</td> <td>1/2</td> <td>2900</td> <td>1\"/&gt;  <tr> <td>U-29</td> <td>"</td> <td>"</td> <td>V-675</td> <td>122</td> <td>1/2</td> <td>2900</td> <td>1\"/&gt;  <tr> <td>U-30</td> <td>"</td> <td>"</td> <td>V-675</td> <td>122</td> <td>1/2</td> <td>2900</td> <td>1\"/&gt;  <tr> <td>U-31</td> <td>"</td> <td>"</td> <td>V-675</td> <td>122</td> <td>1/2</td> <td>2900</td> <td>1\"/&gt;  <tr> <td>U-32</td> <td>"</td> <td>"</td> <td>V-675</td> <td>122</td> <td>1/2</td> <td>2900</td> <td>1\"/&gt;  <tr> <td>U-33</td> <td>"</td> <td>"</td> <td>V-675</td> <td>122</td> <td>1/2</td> <td>2900</td> <td>1\"/&gt;  <tr> <td>U-34</td> <td>"</td> <td>"</td> <td>V-675</td> <td>122</td> <td>1/2</td> <td>2900</td> <td>1\"/&gt;  <tr> <td>U-35</td> <td>"</td> <td>"</td> <td>V-675</td> <td>122</td> <td>1/2</td> <td>2900</td> <td>1\"/&gt;  <tr> <td>U-36</td> <td>"</td> <td>"</td> <td>V-675</td> <td>122</td> <td>1/2</td> <td>2900</td> <td>1\"/&gt;  <tr> <td>U-37</td> <td>"</td> <td>"</td> <td>V-675</td> <td>122</td> <td>1/2</td> <td>2900</td> <td>1\"/&gt;  <tr> <td>U-38</td> <td>"</td> <td>"</td> <td>V-675</td> <td>122</td> <td>1/2</td> <td>2900</td> <td>1\"/&gt;  <tr> <td>U-39</td> <td>"</td> <td>"</td> <td>V-675</td> <td>122</td> <td>1/2</td> <td>2900</td> <td>1\"/&gt;  <tr> <td>U-40</td> <td>"</td> <td>"</td> <td>V-675</td> <td>122</td> <td>1/2</td> <td>2900</td> <td>1\"/&gt;  <tr> <td>U-41</td> <td>"</td> <td>"</td> <td>V-675</td> <td>122</td> <td>1/2</td> <td>2900</td> <td>1\"/&gt;  <tr> <td>U-42</td> <td>"</td> <td>"</td> <td>V-675</td> <td>122</td> <td>1/2</td> <td>2900</td> <td>1\"/&gt;  <tr> <td>U-43</td> <td>"</td> <td>"</td> <td>V-675</td> <td>122</td> <td>1/2</td> <td>2900</td> <td>1\"/&gt;  <tr> <td>U-44</td> <td>"</td> <td>"</td> <td>V-675</td> <td>122</td> <td>1/2</td> <td>2900</td> <td>1\"/&gt;  <tr> <td>U-45</td> <td>"</td> <td>"</td> <td>V-675</td> <td>122</td> <td>1/2</td> <td>2900</td> <td>1\"/&gt;  <tr> <td>U-46</td> <td>"</td> <td>"</td> <td>V-675</td> <td>122</td> <td>1/2</td> <td>2900</td> <td>1\"/&gt;  <tr> <td>U-47</td> <td>"</td> <td>"</td> <td>V-675</td> <td>122</td> <td>1/2</td> <td>2900</td> <td>1\"/&gt;  <tr> <td>U-48</td> <td>"</td> <td>"</td> <td>V-675</td> <td>122</td> <td>1/2</td> <td>2900</td> <td>1\"/&gt;  <tr> <td>U-49</td> <td>"</td> <td>"</td> <td>V-675</td> <td>122</td> <td>1/2</td> <td>2900</td> <td>1\"/&gt;  <tr> <td>U-50</td> <td>"</td> <td>"</td> <td>V-675</td> <td>122</td> <td>1/2</td> <td>2900</td> <td>1\"/&gt;  </td></tr></td></tr></td></tr></td></tr></td></tr></td></tr></td></tr></td></tr></td></tr></td></tr></td></tr></td></tr></td></tr></td></tr></td></tr></td></tr></td></tr></td></tr></td></tr></td></tr></td></tr></td></tr></td></tr></td></tr></td></tr></td></tr></td></tr></td></tr>  | U-23 | " | " | V-675  | 122  | 1/2 | 2900   | 1\"/> <tr> <td>U-24</td> <td>"</td> <td>"</td> <td>V-675</td> <td>122</td> <td>1/2</td> <td>2900</td> <td>1\"/&gt;  <tr> <td>U-25</td> <td>"</td> <td>"</td> <td>V-675</td> <td>122</td> <td>1/2</td> <td>2900</td> <td>1\"/&gt;  <tr> <td>U-26</td> <td>"</td> <td>"</td> <td>V-675</td> <td>122</td> <td>1/2</td> <td>2900</td> <td>1\"/&gt;  <tr> <td>U-27</td> <td>"</td> <td>"</td> <td>V-675</td> <td>122</td> <td>1/2</td> <td>2900</td> <td>1\"/&gt;  <tr> <td>U-28</td> <td>"</td> <td>"</td> <td>V-675</td> <td>122</td> <td>1/2</td> <td>2900</td> <td>1\"/&gt;  <tr> <td>U-29</td> <td>"</td> <td>"</td> <td>V-675</td> <td>122</td> <td>1/2</td> <td>2900</td> <td>1\"/&gt;  <tr> <td>U-30</td> <td>"</td> <td>"</td> <td>V-675</td> <td>122</td> <td>1/2</td> <td>2900</td> <td>1\"/&gt;  <tr> <td>U-31</td> <td>"</td> <td>"</td> <td>V-675</td> <td>122</td> <td>1/2</td> <td>2900</td> <td>1\"/&gt;  <tr> <td>U-32</td> <td>"</td> <td>"</td> <td>V-675</td> <td>122</td> <td>1/2</td> <td>2900</td> <td>1\"/&gt;  <tr> <td>U-33</td> <td>"</td> <td>"</td> <td>V-675</td> <td>122</td> <td>1/2</td> <td>2900</td> <td>1\"/&gt;  <tr> <td>U-34</td> <td>"</td> <td>"</td> <td>V-675</td> <td>122</td> <td>1/2</td> <td>2900</td> <td>1\"/&gt;  <tr> <td>U-35</td> <td>"</td> <td>"</td> <td>V-675</td> <td>122</td> <td>1/2</td> <td>2900</td> <td>1\"/&gt;  <tr> <td>U-36</td> <td>"</td> <td>"</td> <td>V-675</td> <td>122</td> <td>1/2</td> <td>2900</td> <td>1\"/&gt;  <tr> <td>U-37</td> <td>"</td> <td>"</td> <td>V-675</td> <td>122</td> <td>1/2</td> <td>2900</td> <td>1\"/&gt;  <tr> <td>U-38</td> <td>"</td> <td>"</td> <td>V-675</td> <td>122</td> <td>1/2</td> <td>2900</td> <td>1\"/&gt;  <tr> <td>U-39</td> <td>"</td> <td>"</td> <td>V-675</td> <td>122</td> <td>1/2</td> <td>2900</td> <td>1\"/&gt;  <tr> <td>U-40</td> <td>"</td> <td>"</td> <td>V-675</td> <td>122</td> <td>1/2</td> <td>2900</td> <td>1\"/&gt;  <tr> <td>U-41</td> <td>"</td> <td>"</td> <td>V-675</td> <td>122</td> <td>1/2</td> <td>2900</td> <td>1\"/&gt;  <tr> <td>U-42</td> <td>"</td> <td>"</td> <td>V-675</td> <td>122</td> <td>1/2</td> <td>2900</td> <td>1\"/&gt;  <tr> <td>U-43</td> <td>"</td> <td>"</td> <td>V-675</td> <td>122</td> <td>1/2</td> <td>2900</td> <td>1\"/&gt;  <tr> <td>U-44</td> <td>"</td> <td>"</td> <td>V-675</td> <td>122</td> <td>1/2</td> <td>2900</td> <td>1\"/&gt;  <tr> <td>U-45</td> <td>"</td> <td>"</td> <td>V-675</td> <td>122</td> <td>1/2</td> <td>2900</td> <td>1\"/&gt;  <tr> <td>U-46</td> <td>"</td> <td>"</td> <td>V-675</td> <td>122</td> <td>1/2</td> <td>2900</td> <td>1\"/&gt;  <tr> <td>U-47</td> <td>"</td> <td>"</td> <td>V-675</td> <td>122</td> <td>1/2</td> <td>2900</td> <td>1\"/&gt;  <tr> <td>U-48</td> <td>"</td> <td>"</td> <td>V-675</td> <td>122</td> <td>1/2</td> <td>2900</td> <td>1\"/&gt;  <tr> <td>U-49</td> <td>"</td> <td>"</td> <td>V-675</td> <td>122</td> <td>1/2</td> <td>2900</td> <td>1\"/&gt;  <tr> <td>U-50</td> <td>"</td> <td>"</td> <td>V-675</td> <td>122</td> <td>1/2</td> <td>2900</td> <td>1\"/&gt;  </td></tr></td></tr></td></tr></td></tr></td></tr></td></tr></td></tr></td></tr></td></tr></td></tr></td></tr></td></tr></td></tr></td></tr></td></tr></td></tr></td></tr></td></tr></td></tr></td></tr></td></tr></td></tr></td></tr></td></tr></td></tr></td></tr></td></tr>  
  | U-24 | " | " | V-675  | 122 | 1/2 | 2900   | 1\"/> <tr> <td>U-25</td> <td>"</td> <td>"</td> <td>V-675</td> <td>122</td> <td>1/2</td> <td>2900</td> <td>1\"/&gt;  <tr> <td>U-26</td> <td>"</td> <td>"</td> <td>V-675</td> <td>122</td> <td>1/2</td> <td>2900</td> <td>1\"/&gt;  <tr> <td>U-27</td> <td>"</td> <td>"</td> <td>V-675</td> <td>122</td> <td>1/2</td> <td>2900</td> <td>1\"/&gt;  <tr> <td>U-28</td> <td>"</td> <td>"</td> <td>V-675</td> <td>122</td> <td>1/2</td> <td>2900</td> <td>1\"/&gt;  <tr> <td>U-29</td> <td>"</td> <td>"</td> <td>V-675</td> <td>122</td> <td>1/2</td> <td>2900</td> <td>1\"/&gt;  <tr> <td>U-30</td> <td>"</td> <td>"</td> <td>V-675</td> <td>122</td> <td>1/2</td> <td>2900</td> <td>1\"/&gt;  <tr> <td>U-31</td> <td>"</td> <td>"</td> <td>V-675</td> <td>122</td> <td>1/2</td> <td>2900</td> <td>1\"/&gt;  <tr> <td>U-32</td> <td>"</td> <td>"</td> <td>V-675</td> <td>122</td> <td>1/2</td> <td>2900</td> <td>1\"/&gt;  <tr> <td>U-33</td> <td>"</td> <td>"</td> <td>V-675</td> <td>122</td> <td>1/2</td> <td>2900</td> <td>1\"/&gt;  <tr> <td>U-34</td> <td>"</td> <td>"</td> <td>V-675</td> <td>122</td> <td>1/2</td> <td>2900</td> <td>1\"/&gt;  <tr> <td>U-35</td> <td>"</td> <td>"</td> <td>V-675</td> <td>122</td> <td>1/2</td> <td>2900</td> <td>1\"/&gt;  <tr> <td>U-36</td> <td>"</td> <td>"</td> <td>V-675</td> <td>122</td> <td>1/2</td> <td>2900</td> <td>1\"/&gt;  <tr> <td>U-37</td> <td>"</td> <td>"</td> <td>V-675</td> <td>122</td> <td>1/2</td> <td>2900</td> <td>1\"/&gt;  <tr> <td>U-38</td> <td>"</td> <td>"</td> <td>V-675</td> <td>122</td> <td>1/2</td> <td>2900</td> <td>1\"/&gt;  <tr> <td>U-39</td> <td>"</td> <td>"</td> <td>V-675</td> <td>122</td> <td>1/2</td> <td>2900</td> <td>1\"/&gt;  <tr> <td>U-40</td> <td>"</td> <td>"</td> <td>V-675</td> <td>122</td> <td>1/2</td> <td>2900</td> <td>1\"/&gt;  <tr> <td>U-41</td> <td>"</td> <td>"</td> <td>V-675</td> <td>122</td> <td>1/2</td> <td>2900</td> <td>1\"/&gt;  <tr> <td>U-42</td> <td>"</td> <td>"</td> <td>V-675</td> <td>122</td> <td>1/2</td> <td>2900</td> <td>1\"/&gt;  <tr> <td>U-43</td> <td>"</td> <td>"</td> <td>V-675</td> <td>122</td> <td>1/2</td> <td>2900</td> <td>1\"/&gt;  <tr> <td>U-44</td> <td>"</td> <td>"</td> <td>V-675</td> <td>122</td> <td>1/2</td> <td>2900</td> <td>1\"/&gt;  <tr> <td>U-45</td> <td>"</td> <td>"</td> <td>V-675</td> <td>122</td> <td>1/2</td> <td>2900</td> <td>1\"/&gt;  <tr> <td>U-46</td> <td>"</td> <td>"</td> <td>V-675</td> <td>122</td> <td>1/2</td> <td>2900</td> <td>1\"/&gt;  <tr> <td>U-47</td> <td>"</td> <td>"</td> <td>V-675</td> <td>122</td> <td>1/2</td> <td>2900</td> <td>1\"/&gt;  <tr> <td>U-48</td> <td>"</td> <td>"</td> <td>V-675</td> <td>122</td> <td>1/2</td> <td>2900</td> <td>1\"/&gt;  <tr> <td>U-49</td> <td>"</td> <td>"</td> <td>V-675</td> <td>122</td> <td>1/2</td> <td>2900</td> <td>1\"/&gt;  <tr> <td>U-50</td> <td>"</td> <td>"</td> <td>V-675</td> <td>122</td> <td>1/2</td> <td>2900</td> <td>1\"/&gt;  </td></tr></td></tr></td></tr></td></tr></td></tr></td></tr></td></tr></td></tr></td></tr></td></tr></td></tr></td></tr></td></tr></td></tr></td></tr></td></tr></td></tr></td></tr></td></tr></td></tr></td></tr></td></tr></td></tr></td></tr></td></tr></td></tr>   | U-25 | " | " | V-675 | 122 | 1/2 | 2900    | 1\"/> <tr> <td>U-26</td> <td>"</td> <td>"</td> <td>V-675</td> <td>122</td> <td>1/2</td> <td>2900</td> <td>1\"/&gt;  <tr> <td>U-27</td> <td>"</td> <td>"</td> <td>V-675</td> <td>122</td> <td>1/2</td> <td>2900</td> <td>1\"/&gt;  <tr> <td>U-28</td> <td>"</td> <td>"</td> <td>V-675</td> <td>122</td> <td>1/2</td> <td>2900</td> <td>1\"/&gt;  <tr> <td>U-29</td> <td>"</td> <td>"</td> <td>V-675</td> <td>122</td> <td>1/2</td> <td>2900</td> <td>1\"/&gt;  <tr> <td>U-30</td> <td>"</td> <td>"</td> <td>V-675</td> <td>122</td> <td>1/2</td> <td>2900</td> <td>1\"/&gt;  <tr> <td>U-31</td> <td>"</td> <td>"</td> <td>V-675</td> <td>122</td> <td>1/2</td> <td>2900</td> <td>1\"/&gt;  <tr> <td>U-32</td> <td>"</td> <td>"</td> <td>V-675</td> <td>122</td> <td>1/2</td> <td>2900</td> <td>1\"/&gt;  <tr> <td>U-33</td> <td>"</td> <td>"</td> <td>V-675</td> <td>122</td> <td>1/2</td> <td>2900</td> <td>1\"/&gt;  <tr> <td>U-34</td> <td>"</td> <td>"</td> <td>V-675</td> <td>122</td> <td>1/2</td> <td>2900</td> <td>1\"/&gt;  <tr> <td>U-35</td> <td>"</td> <td>"</td> <td>V-675</td> <td>122</td> <td>1/2</td> <td>2900</td> <td>1\"/&gt;  <tr> <td>U-36</td> <td>"</td> <td>"</td> <td>V-675</td> <td>122</td> <td>1/2</td> <td>2900</td> <td>1\"/&gt;  <tr> <td>U-37</td> <td>"</td> <td>"</td> <td>V-675</td> <td>122</td> <td>1/2</td> <td>2900</td> <td>1\"/&gt;  <tr> <td>U-38</td> <td>"</td> <td>"</td> <td>V-675</td> <td>122</td> <td>1/2</td> <td>2900</td> <td>1\"/&gt;  <tr> <td>U-39</td> <td>"</td> <td>"</td> <td>V-675</td> <td>122</td> <td>1/2</td> <td>2900</td> <td>1\"/&gt;  <tr> <td>U-40</td> <td>"</td> <td>"</td> <td>V-675</td> <td>122</td> <td>1/2</td> <td>2900</td> <td>1\"/&gt;  <tr> <td>U-41</td> <td>"</td> <td>"</td> <td>V-675</td> <td>122</td> <td>1/2</td> <td>2900</td> <td>1\"/&gt;  <tr> <td>U-42</td> <td>"</td> <td>"</td>
<td>V-675</td> <td>122</td> <td>1/2</td> <td>2900</td> <td>1\"/&gt;  <tr> <td>U-43</td> <td>"</td> <td>"</td> <td>V-675</td> <td>122</td> <td>1/2</td> <td>2900</td> <td>1\"/&gt;  <tr> <td>U-44</td> <td>"</td> <td>"</td> <td>V-675</td> <td>122</td> <td>1/2</td> <td>2900</td> <td>1\"/&gt;  <tr> <td>U-45</td> <td>"</td> <td>"</td> <td>V-675</td> <td>122</td> <td>1/2</td> <td>2900</td> <td>1\"/&gt;  <tr> <td>U-46</td> <td>"</td> <td>"</td> <td>V-675</td> <td>122</td> <td>1/2</td> <td>2900</td> <td>1\"/&gt;  <tr> <td>U-47</td> <td>"</td> <td>"</td> <td>V-675</td> <td>122</td> <td>1/2</td> <td>2900</td> <td>1\"/&gt;  <tr> <td>U-48</td> <td>"</td> <td>"</td> <td>V-675</td> <td>122</td> <td>1/2</td> <td>2900</td> <td>1\"/&gt;  <tr> <td>U-49</td> <td>"</td> <td>"</td> <td>V-675</td> <td>122</td> <td>1/2</td> <td>2900</td> <td>1\"/&gt;  <tr> <td>U-50</td> <td>"</td> <td>"</td> <td>V-675</td> <td>122</td> <td>1/2</td> <td>2900</td> <td>1\"/&gt;  </td></tr></td></tr></td></tr></td></tr></td></tr></td></tr></td></tr></td></tr></td></tr></td></tr></td></tr></td></tr></td></tr></td></tr></td></tr></td></tr></td></tr></td></tr></td></tr></td></tr></td></tr></td></tr></td></tr></td></tr></td></tr>  | U-26 | " | " | V-675 | 122 | 1/2 | 2900   | 1\"/> <tr> <td>U-27</td> <td>"</td> <td>"</td> <td>V-675</td> <td>122</td> <td>1/2</td> <td>2900</td> <td>1\"/&gt;  <tr> <td>U-28</td> <td>"</td> <td>"</td> <td>V-675</td> <td>122</td> <td>1/2</td> <td>2900</td> <td>1\"/&gt;  <tr> <td>U-29</td> <td>"</td> <td>"</td> <td>V-675</td> <td>122</td> <td>1/2</td> <td>2900</td> <td>1\"/&gt;  <tr> <td>U-30</td> <td>"</td> <td>"</td> <td>V-675</td> <td>122</td> <td>1/2</td> <td>2900</td> <td>1\"/&gt;  <tr> <td>U-31</td> <td>"</td> <td>"</td> <td>V-675</td> <td>122</td> <td>1/2</td> <td>2900</td> <td>1\"/&gt;  <tr> <td>U-32</td> <td>"</td> <td>"</td> <td>V-675</td> <td>122</td> <td>1/2</td> <td>2900</td> <td>1\"/&gt;  <tr> <td>U-33</td> <td>"</td> <td>"</td> <td>V-675</td> <td>122</td> <td>1/2</td> <td>2900</td> <td>1\"/&gt;  <tr> <td>U-34</td> <td>"</td> <td>"</td> <td>V-675</td> <td>122</td> <td>1/2</td> <td>2900</td> <td>1\"/&gt;  <tr> <td>U-35</td> <td>"</td> <td>"</td> <td>V-675</td> <td>122</td> <td>1/2</td> <td>2900</td> <td>1\"/&gt;  <tr> <td>U-36</td> <td>"</td> <td>"</td> <td>V-675</td> <td>122</td> <td>1/2</td> <td>2900</td> <td>1\"/&gt;  <tr> <td>U-37</td> <td>"</td> <td>"</td> <td>V-675</td> <td>122</td> <td>1/2</td> <td>2900</td> <td>1\"/&gt;  <tr> <td>U-38</td> <td>"</td> <td>"</td> <td>V-675</td> <td>122</td> <td>1/2</td> <td>2900</td> <td>1\"/&gt;  <tr> <td>U-39</td> <td>"</td> <td>"</td> <td>V-675</td> <td>122</td> <td>1/2</td> <td>2900</td> <td>1\"/&gt;  <tr> <td>U-40</td> <td>"</td> <td>"</td> <td>V-675</td> <td>122</td> <td>1/2</td> <td>2900</td> <td>1\"/&gt;  <tr> <td>U-41</td> <td>"</td> <td>"</td> <td>V-675</td> <td>122</td> <td>1/2</td> <td>2900</td> <td>1\"/&gt;  <tr> <td>U-42</td> <td>"</td> <td>"</td> <td>V-675</td> <td>122</td> <td>1/2</td> <td>2900</td> <td>1\"/&gt;  <tr> <td>U-43</td> <td>"</td> <td>"</td> <td>V-675</td> <td>122</td> <td>1/2</td> <td>2900</td> <td>1\"/&gt;  <tr> <td>U-44</td> <td>"</td> <td>"</td> <td>V-675</td> <td>122</td> <td>1/2</td> <td>2900</td> <td>1\"/&gt;  <tr> <td>U-45</td> <td>"</td> <td>"</td> <td>V-675</td> <td>122</td> <td>1/2</td> <td>2900</td> <td>1\"/&gt;  <tr> <td>U-46</td> <td>"</td> <td>"</td> <td>V-675</td> <td>122</td> <td>1/2</td> <td>2900</td> <td>1\"/&gt;  <tr> <td>U-47</td> <td>"</td> <td>"</td> <td>V-675</td> <td>122</td> <td>1/2</td> <td>2900</td> <td>1\"/&gt;  <tr> <td>U-48</td> <td>"</td> <td>"</td> <td>V-675</td> <td>122</td> <td>1/2</td> <td>2900</td> <td>1\"/&gt;  <tr> <td>U-49</td> <td>"</td> <td>"</td> <td>V-675</td> <td>122</td> <td>1/2</td> <td>2900</td> <td>1\"/&gt;  <tr> <td>U-50</td> <td>"</td> <td>"</td> <td>V-675</td> <td>122</td> <td>1/2</td> <td>2900</td> <td>1\"/&gt;  </td></tr></td></tr></td></tr></td></tr></td></tr></td></tr></td></tr></td></tr></td></tr></td></tr></td></tr></td></tr></td></tr></td></tr></td></tr></td></tr></td></tr></td></tr></td></tr></td></tr></td></tr></td></tr></td></tr></td></tr>   | U-27 | " | " | V-675 | 122 | 1/2 | 2900    | 1\"/> <tr> <td>U-28</td> <td>"</td> <td>"</td> <td>V-675</td> <td>122</td> <td>1/2</td> <td>2900</td> <td>1\"/&gt;  <tr> <td>U-29</td> <td>"</td> <td>"</td> <td>V-675</td> <td>122</td> <td>1/2</td> <td>2900</td> <td>1\"/&gt;  <tr> <td>U-30</td> <td>"</td> <td>"</td> <td>V-675</td> <td>122</td> <td>1/2</td> <td>2900</td> <td>1\"/&gt;  <tr> <td>U-31</td> <td>"</td> <td>"</td> <td>V-675</td> <td>122</td> <td>1/2</td> <td>2900</td> <td>1\"/&gt;  <tr> <td>U-32</td> <td>"</td> <td>"</td> <td>V-675</td> <td>122</td> <td>1/2</td> <td>2900</td> <td>1\"/&gt;  <tr> <td>U-33</td> <td>"</td> <td>"</td> <td>V-675</td> <td>122</td> <td>1/2</td> <td>2900</td> <td>1\"/&gt;  <tr> <td>U-34</td> <td>"</td> <td>"</td> <td>V-675</td> <td>122</td> <td>1/2</td> <td>2900</td> <td>1\"/&gt;  <tr>
<td>U-35</td> <td>"</td> <td>"</td> <td>V-675</td> <td>122</td> <td>1/2</td> <td>2900</td> <td>1\"/&gt;  <tr> <td>U-36</td> <td>"</td> <td>"</td> <td>V-675</td> <td>122</td> <td>1/2</td> <td>2900</td> <td>1\"/&gt;  <tr> <td>U-37</td> <td>"</td> <td>"</td> <td>V-675</td> <td>122</td> <td>1/2</td> <td>2900</td> <td>1\"/&gt;  <tr> <td>U-38</td> <td>"</td> <td>"</td> <td>V-675</td> <td>122</td> <td>1/2</td> <td>2900</td> <td>1\"/&gt;  <tr> <td>U-39</td> <td>"</td> <td>"</td> <td>V-675</td> <td>122</td> <td>1/2</td> <td>2900</td> <td>1\"/&gt;  <tr> <td>U-40</td> <td>"</td> <td>"</td> <td>V-675</td> <td>122</td> <td>1/2</td> <td>2900</td> <td>1\"/&gt;  <tr> <td>U-41</td> <td>"</td> <td>"</td> <td>V-675</td> <td>122</td> <td>1/2</td> <td>2900</td> <td>1\"/&gt;  <tr> <td>U-42</td> <td>"</td> <td>"</td> <td>V-675</td> <td>122</td> <td>1/2</td> <td>2900</td> <td>1\"/&gt;  <tr> <td>U-43</td> <td>"</td> <td>"</td> <td>V-675</td> <td>122</td> <td>1/2</td> <td>2900</td> <td>1\"/&gt;  <tr> <td>U-44</td> <td>"</td> <td>"</td> <td>V-675</td> <td>122</td> <td>1/2</td> <td>2900</td> <td>1\"/&gt;  <tr> <td>U-45</td> <td>"</td> <td>"</td> <td>V-675</td> <td>122</td> <td>1/2</td> <td>2900</td> <td>1\"/&gt;  <tr> <td>U-46</td> <td>"</td> <td>"</td> <td>V-675</td> <td>122</td> <td>1/2</td> <td>2900</td> <td>1\"/&gt;  <tr> <td>U-47</td> <td>"</td> <td>"</td> <td>V-675</td> <td>122</td> <td>1/2</td> <td>2900</td> <td>1\"/&gt;  <tr> <td>U-48</td> <td>"</td> <td>"</td> <td>V-675</td> <td>122</td> <td>1/2</td> <td>2900</td> <td>1\"/&gt;  <tr> <td>U-49</td> <td>"</td> <td>"</td> <td>V-675</td> <td>122</td> <td>1/2</td> <td>2900</td> <td>1\"/&gt;  <tr> <td>U-50</td> <td>"</td> <td>"</td> <td>V-675</td> <td>122</td> <td>1/2</td> <td>2900</td> <td>1\"/&gt;  </td></tr></td></tr></td></tr></td></tr></td></tr></td></tr></td></tr></td></tr></td></tr></td></tr></td></tr></td></tr></td></tr></td></tr></td></tr></td></tr></td></tr></td></tr></td></tr></td></tr></td></tr></td></tr></td></tr>  | U-28 | "           | "      | V-675  | 122  | 1/2 | 2900 | 1\"/> <tr> <td>U-29</td> <td>"</td> <td>"</td> <td>V-675</td> <td>122</td> <td>1/2</td> <td>2900</td> <td>1\"/&gt;  <tr> <td>U-30</td> <td>"</td> <td>"</td> <td>V-675</td> <td>122</td> <td>1/2</td> <td>2900</td> <td>1\"/&gt;  <tr> <td>U-31</td> <td>"</td> <td>"</td> <td>V-675</td> <td>122</td> <td>1/2</td> <td>2900</td> <td>1\"/&gt;  <tr> <td>U-32</td> <td>"</td> <td>"</td> <td>V-675</td> <td>122</td> <td>1/2</td> <td>2900</td> <td>1\"/&gt;  <tr> <td>U-33</td> <td>"</td> <td>"</td> <td>V-675</td> <td>122</td> <td>1/2</td> <td>2900</td> <td>1\"/&gt;  <tr> <td>U-34</td> <td>"</td> <td>"</td> <td>V-675</td> <td>122</td> <td>1/2</td> <td>2900</td> <td>1\"/&gt;  <tr> <td>U-35</td> <td>"</td> <td>"</td> <td>V-675</td> <td>122</td> <td>1/2</td> <td>2900</td> <td>1\"/&gt;  <tr> <td>U-36</td> <td>"</td> <td>"</td> <td>V-675</td> <td>122</td> <td>1/2</td> <td>2900</td> <td>1\"/&gt;  <tr> <td>U-37</td> <td>"</td> <td>"</td> <td>V-675</td> <td>122</td> <td>1/2</td> <td>2900</td> <td>1\"/&gt;  <tr> <td>U-38</td> <td>"</td> <td>"</td> <td>V-675</td> <td>122</td> <td>1/2</td> <td>2900</td> <td>1\"/&gt;  <tr> <td>U-39</td> <td>"</td> <td>"</td> <td>V-675</td> <td>122</td> <td>1/2</td> <td>2900</td> <td>1\"/&gt;  <tr> <td>U-40</td> <td>"</td> <td>"</td> <td>V-675</td> <td>122</td> <td>1/2</td> <td>2900</td> <td>1\"/&gt;  <tr> <td>U-41</td> <td>"</td> <td>"</td> <td>V-675</td> <td>122</td> <td>1/2</td> <td>2900</td> <td>1\"/&gt;  <tr> <td>U-42</td> <td>"</td> <td>"</td> <td>V-675</td> <td>122</td> <td>1/2</td> <td>2900</td> <td>1\"/&gt;  <tr> <td>U-43</td> <td>"</td> <td>"</td> <td>V-675</td> <td>122</td> <td>1/2</td> <td>2900</td> <td>1\"/&gt;  <tr> <td>U-44</td> <td>"</td> <td>"</td> <td>V-675</td> <td>122</td> <td>1/2</td> <td>2900</td> <td>1\"/&gt;  <tr> <td>U-45</td> <td>"</td> <td>"</td> <td>V-675</td> <td>122</td> <td>1/2</td> <td>2900</td> <td>1\"/&gt;  <tr> <td>U-46</td> <td>"</td> <td>"</td> <td>V-675</td> <td>122</td> <td>1/2</td> <td>2900</td> <td>1\"/&gt;  <tr> <td>U-47</td> <td>"</td> <td>"</td> <td>V-675</td> <td>122</td> <td>1/2</td> <td>2900</td> <td>1\"/&gt;  <tr> <td>U-48</td> <td>"</td> <td>"</td> <td>V-675</td> <td>122</td> <td>1/2</td> <td>2900</td> <td>1\"/&gt;  <tr> <td>U-49</td> <td>"</td> <td>"</td> <td>V-675</td> <td>122</td> <td>1/2</td> <td>2900</td> <td>1\"/&gt;  <tr> <td>U-50</td> <td>"</td> <td>"</td> <td>V-675</td> <td>122</td> <td>1/2</td> <td>2900</td> <td>1\"/&gt;  </td></tr></td></tr></td></tr></td></tr></td></tr></td></tr></td></tr></td></tr></td></tr></td></tr></td></tr></td></tr></td></tr></td></tr></td></tr></td></tr></td></tr></td></tr></td></tr></td></tr></td></tr></td></tr>   
  | U-29 | " | " | V-675  | 122  | 1/2 | 2900 | 1\"/> <tr> <td>U-30</td> <td>"</td> <td>"</td> <td>V-675</td> <td>122</td> <td>1/2</td> <td>2900</td> <td>1\"/&gt;  <tr> <td>U-31</td> <td>"</td> <td>"</td> <td>V-675</td> <td>122</td> <td>1/2</td> <td>2900</td> <td>1\"/&gt;  <tr> <td>U-32</td> <td>"</td> <td>"</td> <td>V-675</td> <td>122</td> <td>1/2</td> <td>2900</td> <td>1\"/&gt;  <tr> <td>U-33</td> <td>"</td> <td>"</td> <td>V-675</td> <td>122</td> <td>1/2</td> <td>2900</td> <td>1\"/&gt;  <tr> <td>U-34</td> <td>"</td> <td>"</td> <td>V-675</td> <td>122</td> <td>1/2</td> <td>2900</td> <td>1\"/&gt;  <tr> <td>U-35</td> <td>"</td> <td>"</td> <td>V-675</td> <td>122</td> <td>1/2</td> <td>2900</td> <td>1\"/&gt;  <tr> <td>U-36</td> <td>"</td> <td>"</td> <td>V-675</td> <td>122</td> <td>1/2</td> <td>2900</td> <td>1\"/&gt;  <tr> <td>U-37</td> <td>"</td> <td>"</td> <td>V-675</td> <td>122</td> <td>1/2</td> <td>2900</td> <td>1\"/&gt;  <tr> <td>U-38</td> <td>"</td> <td>"</td> <td>V-675</td> <td>122</td> <td>1/2</td> <td>2900</td> <td>1\"/&gt;  <tr> <td>U-39</td> <td>"</td> <td>"</td> <td>V-675</td> <td>122</td> <td>1/2</td> <td>2900</td> <td>1\"/&gt;  <tr> <td>U-40</td> <td>"</td> <td>"</td> <td>V-675</td> <td>122</td> <td>1/2</td> <td>2900</td> <td>1\"/&gt;  <tr> <td>U-41</td> <td>"</td> <td>"</td> <td>V-675</td> <td>122</td> <td>1/2</td> <td>2900</td> <td>1\"/&gt;  <tr> <td>U-42</td> <td>"</td> <td>"</td> <td>V-675</td> <td>122</td> <td>1/2</td> <td>2900</td> <td>1\"/&gt;  <tr> <td>U-43</td> <td>"</td> <td>"</td> <td>V-675</td> <td>122</td> <td>1/2</td> <td>2900</td> <td>1\"/&gt;  <tr> <td>U-44</td> <td>"</td> <td>"</td> <td>V-675</td> <td>122</td> <td>1/2</td> <td>2900</td> <td>1\"/&gt;  <tr> <td>U-45</td> <td>"</td> <td>"</td> <td>V-675</td> <td>122</td> <td>1/2</td> <td>2900</td> <td>1\"/&gt;  <tr> <td>U-46</td> <td>"</td> <td>"</td> <td>V-675</td> <td>122</td> <td>1/2</td> <td>2900</td> <td>1\"/&gt;  <tr> <td>U-47</td> <td>"</td> <td>"</td> <td>V-675</td> <td>122</td> <td>1/2</td> <td>2900</td> <td>1\"/&gt;  <tr> <td>U-48</td> <td>"</td> <td>"</td> <td>V-675</td> <td>122</td> <td>1/2</td> <td>2900</td> <td>1\"/&gt;  <tr> <td>U-49</td> <td>"</td> <td>"</td> <td>V-675</td> <td>122</td> <td>1/2</td> <td>2900</td> <td>1\"/&gt;  <tr> <td>U-50</td> <td>"</td> <td>"</td> <td>V-675</td> <td>122</td> <td>1/2</td> <td>2900</td> <td>1\"/&gt;  </td></tr></td></tr></td></tr></td></tr></td></tr></td></tr></td></tr></td></tr></td></tr></td></tr></td></tr></td></tr></td></tr></td></tr></td></tr></td></tr></td></tr></td></tr></td></tr></td></tr></td></tr>   | U-30 | " | " | V-675  | 122 | 1/2 | 2900 | 1\"/> <tr> <td>U-31</td> <td>"</td> <td>"</td> <td>V-675</td> <td>122</td> <td>1/2</td> <td>2900</td> <td>1\"/&gt;  <tr> <td>U-32</td> <td>"</td> <td>"</td> <td>V-675</td> <td>122</td> <td>1/2</td> <td>2900</td> <td>1\"/&gt;  <tr> <td>U-33</td> <td>"</td> <td>"</td> <td>V-675</td> <td>122</td> <td>1/2</td> <td>2900</td> <td>1\"/&gt;  <tr> <td>U-34</td> <td>"</td> <td>"</td> <td>V-675</td> <td>122</td> <td>1/2</td> <td>2900</td> <td>1\"/&gt;  <tr> <td>U-35</td> <td>"</td> <td>"</td> <td>V-675</td> <td>122</td> <td>1/2</td> <td>2900</td> <td>1\"/&gt;  <tr> <td>U-36</td> <td>"</td> <td>"</td> <td>V-675</td> <td>122</td> <td>1/2</td> <td>2900</td> <td>1\"/&gt;  <tr> <td>U-37</td> <td>"</td> <td>"</td> <td>V-675</td> <td>122</td> <td>1/2</td> <td>2900</td> <td>1\"/&gt;  <tr> <td>U-38</td> <td>"</td> <td>"</td> <td>V-675</td> <td>122</td> <td>1/2</td> <td>2900</td> <td>1\"/&gt;  <tr> <td>U-39</td> <td>"</td> <td>"</td> <td>V-675</td> <td>122</td> <td>1/2</td> <td>2900</td> <td>1\"/&gt;  <tr> <td>U-40</td> <td>"</td> <td>"</td> <td>V-675</td> <td>122</td> <td>1/2</td> <td>2900</td> <td>1\"/&gt;  <tr> <td>U-41</td> <td>"</td> <td>"</td> <td>V-675</td> <td>122</td> <td>1/2</td> <td>2900</td> <td>1\"/&gt;  <tr> <td>U-42</td> <td>"</td> <td>"</td> <td>V-675</td> <td>122</td> <td>1/2</td> <td>2900</td> <td>1\"/&gt;  <tr> <td>U-43</td> <td>"</td> <td>"</td> <td>V-675</td> <td>122</td> <td>1/2</td> <td>2900</td> <td>1\"/&gt;  <tr> <td>U-44</td> <td>"</td> <td>"</td> <td>V-675</td> <td>122</td> <td>1/2</td> <td>2900</td> <td>1\"/&gt;  <tr> <td>U-45</td> <td>"</td> <td>"</td> <td>V-675</td> <td>122</td> <td>1/2</td> <td>2900</td> <td>1\"/&gt;  <tr> <td>U-46</td> <td>"</td> <td>"</td> <td>V-675</td> <td>122</td> <td>1/2</td> <td>2900</td> <td>1\"/&gt;  <tr> <td>U-47</td> <td>"</td> <td>"</td> <td>V-675</td> <td>122</td> <td>1/2</td> <td>2900</td> <td>1\"/&gt;  <tr> <td>U-48</td> <td>"</td> <td>"</td> <td>V-675</td> <td>122</td> <td>1/2</td> <td>2900</td> <td>1\"/&gt;  <tr> <td>U-49</td> <td>"</td> <td>"</td> <td>V-675</td> <td>122</td> <td>1/2</td> <td>2900</td> <td>1\"/&gt;  <tr> <td>U-50</td> <td>"</td> <td>"</td> <td>V-675</td> <td>122</td> <td>1/2</td> <td>2900</td> <td>1\"/&gt;  </td></tr></td></tr></td></tr></td></tr></td></tr></td></tr></td></tr></td></tr></td></tr></td></tr></td></tr></td></tr></td></tr></td></tr></td></tr></td></tr></td></tr></td></tr></td></tr></td></tr>   
   | U-31 | " | " | V-675 | 122 | 1/2 | 2900 | 1\"/> <tr> <td>U-32</td> <td>"</td> <td>"</td> <td>V-675</td> <td>122</td> <td>1/2</td> <td>2900</td> <td>1\"/&gt;  <tr> <td>U-33</td> <td>"</td> <td>"</td> <td>V-675</td> <td>122</td> <td>1/2</td> <td>2900</td> <td>1\"/&gt;  <tr> <td>U-34</td> <td>"</td> <td>"</td> <td>V-675</td> <td>122</td> <td>1/2</td> <td>2900</td> <td>1\"/&gt;  <tr> <td>U-35</td> <td>"</td> <td>"</td> <td>V-675</td> <td>122</td> <td>1/2</td> <td>2900</td> <td>1\"/&gt;  <tr> <td>U-36</td> <td>"</td> <td>"</td> <td>V-675</td> <td>122</td> <td>1/2</td> <td>2900</td> <td>1\"/&gt;  <tr> <td>U-37</td> <td>"</td> <td>"</td> <td>V-675</td> <td>122</td> <td>1/2</td> <td>2900</td> <td>1\"/&gt;  <tr> <td>U-38</td> <td>"</td> <td>"</td> <td>V-675</td> <td>122</td> <td>1/2</td> <td>2900</td> <td>1\"/&gt;  <tr> <td>U-39</td> <td>"</td> <td>"</td> <td>V-675</td> <td>122</td> <td>1/2</td> <td>2900</td> <td>1\"/&gt;  <tr> <td>U-40</td> <td>"</td> <td>"</td> <td>V-675</td> <td>122</td> <td>1/2</td> <td>2900</td> <td>1\"/&gt;  <tr> <td>U-41</td> <td>"</td> <td>"</td> <td>V-675</td> <td>122</td> <td>1/2</td> <td>2900</td> <td>1\"/&gt;  <tr> <td>U-42</td> <td>"</td> <td>"</td> <td>V-675</td> <td>122</td> <td>1/2</td> <td>2900</td> <td>1\"/&gt;  <tr> <td>U-43</td> <td>"</td> <td>"</td> <td>V-675</td> <td>122</td> <td>1/2</td> <td>2900</td> <td>1\"/&gt;  <tr> <td>U-44</td> <td>"</td> <td>"</td> <td>V-675</td> <td>122</td> <td>1/2</td> <td>2900</td> <td>1\"/&gt;  <tr> <td>U-45</td> <td>"</td> <td>"</td> <td>V-675</td> <td>122</td> <td>1/2</td> <td>2900</td> <td>1\"/&gt;  <tr> <td>U-46</td> <td>"</td> <td>"</td> <td>V-675</td> <td>122</td> <td>1/2</td> <td>2900</td> <td>1\"/&gt;  <tr> <td>U-47</td> <td>"</td> <td>"</td> <td>V-675</td> <td>122</td> <td>1/2</td> <td>2900</td> <td>1\"/&gt;  <tr> <td>U-48</td> <td>"</td> <td>"</td> <td>V-675</td> <td>122</td> <td>1/2</td> <td>2900</td> <td>1\"/&gt;  <tr> <td>U-49</td> <td>"</td> <td>"</td> <td>V-675</td> <td>122</td> <td>1/2</td> <td>2900</td> <td>1\"/&gt;  <tr> <td>U-50</td> <td>"</td> <td>"</td> <td>V-675</td> <td>122</td> <td>1/2</td> <td>2900</td> <td>1\"/&gt;  </td></tr></td></tr></td></tr></td></tr></td></tr></td></tr></td></tr></td></tr></td></tr></td></tr></td></tr></td></tr></td></tr></td></tr></td></tr></td></tr></td></tr></td></tr></td></tr>  | U-32 | " | " | V-675 | 122 | 1/2 | 2900 | 1\"/> <tr> <td>U-33</td> <td>"</td> <td>"</td> <td>V-675</td> <td>122</td> <td>1/2</td> <td>2900</td> <td>1\"/&gt;  <tr> <td>U-34</td> <td>"</td> <td>"</td> <td>V-675</td> <td>122</td> <td>1/2</td> <td>2900</td> <td>1\"/&gt;  <tr> <td>U-35</td> <td>"</td> <td>"</td> <td>V-675</td> <td>122</td> <td>1/2</td> <td>2900</td> <td>1\"/&gt;  <tr> <td>U-36</td> <td>"</td> <td>"</td> <td>V-675</td> <td>122</td> <td>1/2</td> <td>2900</td> <td>1\"/&gt;  <tr> <td>U-37</td> <td>"</td> <td>"</td> <td>V-675</td> <td>122</td> <td>1/2</td> <td>2900</td> <td>1\"/&gt;  <tr> <td>U-38</td> <td>"</td> <td>"</td> <td>V-675</td> <td>122</td> <td>1/2</td> <td>2900</td> <td>1\"/&gt;  <tr> <td>U-39</td> <td>"</td> <td>"</td> <td>V-675</td> <td>122</td> <td>1/2</td> <td>2900</td> <td>1\"/&gt;  <tr> <td>U-40</td> <td>"</td> <td>"</td> <td>V-675</td> <td>122</td> <td>1/2</td> <td>2900</td> <td>1\"/&gt;  <tr> <td>U-41</td> <td>"</td> <td>"</td> <td>V-675</td> <td>122</td> <td>1/2</td> <td>2900</td> <td>1\"/&gt;  <tr> <td>U-42</td> <td>"</td> <td>"</td> <td>V-675</td> <td>122</td> <td>1/2</td> <td>2900</td> <td>1\"/&gt;  <tr> <td>U-43</td> <td>"</td> <td>"</td> <td>V-675</td> <td>122</td> <td>1/2</td> <td>2900</td> <td>1\"/&gt;  <tr> <td>U-44</td> <td>"</td> <td>"</td> <td>V-675</td> <td>122</td> <td>1/2</td> <td>2900</td> <td>1\"/&gt;  <tr> <td>U-45</td> <td>"</td> <td>"</td> <td>V-675</td> <td>122</td> <td>1/2</td> <td>2900</td> <td>1\"/&gt;  <tr> <td>U-46</td> <td>"</td> <td>"</td> <td>V-675</td> <td>122</td> <td>1/2</td> <td>2900</td> <td>1\"/&gt;  <tr> <td>U-47</td> <td>"</td> <td>"</td> <td>V-675</td> <td>122</td> <td>1/2</td> <td>2900</td> <td>1\"/&gt;  <tr> <td>U-48</td> <td>"</td> <td>"</td> <td>V-675</td> <td>122</td> <td>1/2</td> <td>2900</td> <td>1\"/&gt;  <tr> <td>U-49</td> <td>"</td> <td>"</td> <td>V-675</td> <td>122</td> <td>1/2</td> <td>2900</td> <td>1\"/&gt;  <tr> <td>U-50</td> <td>"</td> <td>"</td> <td>V-675</td> <td>122</td> <td>1/2</td> <td>2900</td> <td>1\"/&gt;  </td></tr></td></tr></td></tr></td></tr></td></tr></td></tr></td></tr></td></tr></td></tr></td></tr></td></tr></td></tr></td></tr></td></tr></td></tr></td></tr></td></tr></td></tr>  
  | U-33 | " | " | V-675 | 122 | 1/2 | 2900 | 1\"/> <tr> <td>U-34</td> <td>"</td> <td>"</td> <td>V-675</td> <td>122</td> <td>1/2</td> <td>2900</td> <td>1\"/&gt;  <tr> <td>U-35</td> <td>"</td> <td>"</td> <td>V-675</td> <td>122</td> <td>1/2</td> <td>2900</td> <td>1\"/&gt;  <tr> <td>U-36</td> <td>"</td> <td>"</td> <td>V-675</td> <td>122</td> <td>1/2</td> <td>2900</td> <td>1\"/&gt;  <tr> <td>U-37</td> <td>"</td> <td>"</td> <td>V-675</td> <td>122</td> <td>1/2</td> <td>2900</td> <td>1\"/&gt;  <tr> <td>U-38</td> <td>"</td> <td>"</td> <td>V-675</td> <td>122</td> <td>1/2</td> <td>2900</td> <td>1\"/&gt;  <tr> <td>U-39</td> <td>"</td> <td>"</td> <td>V-675</td> <td>122</td> <td>1/2</td> <td>2900</td> <td>1\"/&gt;  <tr> <td>U-40</td> <td>"</td> <td>"</td> <td>V-675</td> <td>122</td> <td>1/2</td> <td>2900</td> <td>1\"/&gt;  <tr> <td>U-41</td> <td>"</td> <td>"</td> <td>V-675</td> <td>122</td> <td>1/2</td> <td>2900</td> <td>1\"/&gt;  <tr> <td>U-42</td> <td>"</td> <td>"</td> <td>V-675</td> <td>122</td> <td>1/2</td> <td>2900</td> <td>1\"/&gt;  <tr> <td>U-43</td> <td>"</td> <td>"</td> <td>V-675</td> <td>122</td> <td>1/2</td> <td>2900</td> <td>1\"/&gt;  <tr> <td>U-44</td> <td>"</td> <td>"</td> <td>V-675</td> <td>122</td> <td>1/2</td> <td>2900</td> <td>1\"/&gt;  <tr> <td>U-45</td> <td>"</td> <td>"</td> <td>V-675</td> <td>122</td> <td>1/2</td> <td>2900</td> <td>1\"/&gt;  <tr> <td>U-46</td> <td>"</td> <td>"</td> <td>V-675</td> <td>122</td> <td>1/2</td> <td>2900</td> <td>1\"/&gt;  <tr> <td>U-47</td> <td>"</td> <td>"</td> <td>V-675</td> <td>122</td> <td>1/2</td> <td>2900</td> <td>1\"/&gt;  <tr> <td>U-48</td> <td>"</td> <td>"</td> <td>V-675</td> <td>122</td> <td>1/2</td> <td>2900</td> <td>1\"/&gt;  <tr> <td>U-49</td> <td>"</td> <td>"</td> <td>V-675</td> <td>122</td> <td>1/2</td> <td>2900</td> <td>1\"/&gt;  <tr> <td>U-50</td> <td>"</td> <td>"</td> <td>V-675</td> <td>122</td> <td>1/2</td> <td>2900</td> <td>1\"/&gt;  </td></tr></td></tr></td></tr></td></tr></td></tr></td></tr></td></tr></td></tr></td></tr></td></tr></td></tr></td></tr></td></tr></td></tr></td></tr></td></tr></td></tr>  | U-34 | " | " | V-675 | 122 | 1/2 | 2900 | 1\"/> <tr> <td>U-35</td> <td>"</td> <td>"</td> <td>V-675</td> <td>122</td> <td>1/2</td> <td>2900</td> <td>1\"/&gt;  <tr> <td>U-36</td> <td>"</td> <td>"</td> <td>V-675</td> <td>122</td> <td>1/2</td> <td>2900</td> <td>1\"/&gt;  <tr> <td>U-37</td> <td>"</td> <td>"</td> <td>V-675</td> <td>122</td> <td>1/2</td> <td>2900</td> <td>1\"/&gt;  <tr> <td>U-38</td> <td>"</td> <td>"</td> <td>V-675</td> <td>122</td> <td>1/2</td> <td>2900</td> <td>1\"/&gt;  <tr> <td>U-39</td> <td>"</td> <td>"</td> <td>V-675</td> <td>122</td> <td>1/2</td> <td>2900</td> <td>1\"/&gt;  <tr> <td>U-40</td> <td>"</td> <td>"</td> <td>V-675</td> <td>122</td> <td>1/2</td> <td>2900</td> <td>1\"/&gt;  <tr> <td>U-41</td> <td>"</td> <td>"</td> <td>V-675</td> <td>122</td> <td>1/2</td> <td>2900</td> <td>1\"/&gt;  <tr> <td>U-42</td> <td>"</td> <td>"</td> <td>V-675</td> <td>122</td> <td>1/2</td> <td>2900</td> <td>1\"/&gt;  <tr> <td>U-43</td> <td>"</td> <td>"</td> <td>V-675</td> <td>122</td> <td>1/2</td> <td>2900</td> <td>1\"/&gt;  <tr> <td>U-44</td> <td>"</td> <td>"</td> <td>V-675</td> <td>122</td> <td>1/2</td> <td>2900</td> <td>1\"/&gt;  <tr> <td>U-45</td> <td>"</td> <td>"</td> <td>V-675</td> <td>122</td> <td>1/2</td> <td>2900</td> <td>1\"/&gt;  <tr> <td>U-46</td> <td>"</td> <td>"</td> <td>V-675</td> <td>122</td> <td>1/2</td> <td>2900</td> <td>1\"/&gt;  <tr> <td>U-47</td> <td>"</td> <td>"</td> <td>V-675</td> <td>122</td> <td>1/2</td> <td>2900</td> <td>1\"/&gt;  <tr> <td>U-48</td> <td>"</td> <td>"</td> <td>V-675</td> <td>122</td> <td>1/2</td> <td>2900</td> <td>1\"/&gt;  <tr> <td>U-49</td> <td>"</td> <td>"</td> <td>V-675</td> <td>122</td> <td>1/2</td> <td>2900</td> <td>1\"/&gt;  <tr> <td>U-50</td>
<td>"</td> <td>"</td> <td>V-675</td> <td>122</td> <td>1/2</td> <td>2900</td> <td>1\"/&gt;  </td></tr></td></tr></td></tr></td></tr></td></tr></td></tr></td></tr></td></tr></td></tr></td></tr></td></tr></td></tr></td></tr></td></tr></td></tr></td></tr>   | U-35 | " | " | V-675 | 122 | 1/2 | 2900 | 1\"/> <tr> <td>U-36</td> <td>"</td> <td>"</td> <td>V-675</td> <td>122</td> <td>1/2</td> <td>2900</td> <td>1\"/&gt;  <tr> <td>U-37</td> <td>"</td> <td>"</td> <td>V-675</td> <td>122</td> <td>1/2</td> <td>2900</td> <td>1\"/&gt;  <tr> <td>U-38</td> <td>"</td> <td>"</td> <td>V-675</td> <td>122</td> <td>1/2</td> <td>2900</td> <td>1\"/&gt;  <tr> <td>U-39</td> <td>"</td> <td>"</td> <td>V-675</td> <td>122</td> <td>1/2</td> <td>2900</td> <td>1\"/&gt;  <tr> <td>U-40</td> <td>"</td> <td>"</td> <td>V-675</td> <td>122</td> <td>1/2</td> <td>2900</td> <td>1\"/&gt;  <tr> <td>U-41</td> <td>"</td> <td>"</td> <td>V-675</td> <td>122</td> <td>1/2</td> <td>2900</td> <td>1\"/&gt;  <tr> <td>U-42</td> <td>"</td> <td>"</td> <td>V-675</td> <td>122</td> <td>1/2</td> <td>2900</td> <td>1\"/&gt;  <tr> <td>U-43</td> <td>"</td> <td>"</td> <td>V-675</td> <td>122</td> <td>1/2</td> <td>2900</td> <td>1\"/&gt;  <tr> <td>U-44</td> <td>"</td> <td>"</td> <td>V-675</td> <td>122</td> <td>1/2</td> <td>2900</td> <td>1\"/&gt;  <tr> <td>U-45</td> <td>"</td> <td>"</td> <td>V-675</td> <td>122</td> <td>1/2</td> <td>2900</td> <td>1\"/&gt;  <tr> <td>U-46</td> <td>"</td> <td>"</td> <td>V-675</td> <td>122</td> <td>1/2</td> <td>2900</td> <td>1\"/&gt;  <tr> <td>U-47</td> <td>"</td> <td>"</td> <td>V-675</td> <td>122</td> <td>1/2</td> <td>2900</td> <td>1\"/&gt;  <tr> <td>U-48</td> <td>"</td> <td>"</td> <td>V-675</td> <td>122</td> <td>1/2</td> <td>2900</td> <td>1\"/&gt;  <tr> <td>U-49</td> <td>"</td> <td>"</td> <td>V-675</td> <td>122</td> <td>1/2</td> <td>2900</td> <td>1\"/&gt;  <tr> <td>U-50</td> <td>"</td> <td>"</td> <td>V-675</td> <td>122</td> <td>1/2</td> <td>2900</td> <td>1\"/&gt;  </td></tr></td></tr></td></tr></td></tr></td></tr></td></tr></td></tr></td></tr></td></tr></td></tr></td></tr></td></tr></td></tr></td></tr></td></tr>  | U-36 | " | " | V-675 | 122 | 1/2 | 2900 | 1\"/> <tr> <td>U-37</td> <td>"</td> <td>"</td> <td>V-675</td> <td>122</td> <td>1/2</td> <td>2900</td> <td>1\"/&gt;  <tr> <td>U-38</td> <td>"</td> <td>"</td> <td>V-675</td> <td>122</td> <td>1/2</td> <td>2900</td> <td>1\"/&gt;  <tr> <td>U-39</td> <td>"</td> <td>"</td> <td>V-675</td> <td>122</td> <td>1/2</td> <td>2900</td> <td>1\"/&gt;  <tr> <td>U-40</td> <td>"</td> <td>"</td> <td>V-675</td> <td>122</td> <td>1/2</td> <td>2900</td> <td>1\"/&gt;  <tr> <td>U-41</td> <td>"</td> <td>"</td> <td>V-675</td> <td>122</td> <td>1/2</td> <td>2900</td> <td>1\"/&gt;  <tr> <td>U-42</td> <td>"</td> <td>"</td> <td>V-675</td> <td>122</td> <td>1/2</td> <td>2900</td> <td>1\"/&gt;  <tr> <td>U-43</td> <td>"</td> <td>"</td> <td>V-675</td> <td>122</td> <td>1/2</td> <td>2900</td> <td>1\"/&gt;  <tr> <td>U-44</td> <td>"</td> <td>"</td> <td>V-675</td> <td>122</td> <td>1/2</td> <td>2900</td> <td>1\"/&gt;  <tr> <td>U-45</td> <td>"</td> <td>"</td> <td>V-675</td> <td>122</td> <td>1/2</td> <td>2900</td> <td>1\"/&gt;  <tr> <td>U-46</td> <td>"</td> <td>"</td> <td>V-675</td> <td>122</td> <td>1/2</td> <td>2900</td> <td>1\"/&gt;  <tr> <td>U-47</td> <td>"</td> <td>"</td> <td>V-675</td> <td>122</td> <td>1/2</td> <td>2900</td> <td>1\"/&gt;  <tr> <td>U-48</td> <td>"</td> <td>"</td> <td>V-675</td> <td>122</td> <td>1/2</td> <td>2900</td> <td>1\"/&gt;  <tr> <td>U-49</td> <td>"</td> <td>"</td>
<td>V-675</td> <td>122</td> <td>1/2</td> <td>2900</td> <td>1\"/&gt;  <tr> <td>U-50</td> <td>"</td> <td>"</td> <td>V-675</td> <td>122</td> <td>1/2</td> <td>2900</td> <td>1\"/&gt;  </td></tr></td></tr></td></tr></td></tr></td></tr></td></tr></td></tr></td></tr></td></tr></td></tr></td></tr></td></tr></td></tr></td></tr>   | U-37 | " | " | V-675 | 122 | 1/2 | 2900 | 1\"/> <tr> <td>U-38</td> <td>"</td> <td>"</td> <td>V-675</td> <td>122</td> <td>1/2</td> <td>2900</td> <td>1\"/&gt;  <tr> <td>U-39</td> <td>"</td> <td>"</td> <td>V-675</td> <td>122</td> <td>1/2</td> <td>2900</td> <td>1\"/&gt;  <tr> <td>U-40</td> <td>"</td> <td>"</td> <td>V-675</td> <td>122</td> <td>1/2</td> <td>2900</td> <td>1\"/&gt;  <tr> <td>U-41</td> <td>"</td> <td>"</td> <td>V-675</td> <td>122</td> <td>1/2</td> <td>2900</td> <td>1\"/&gt;  <tr> <td>U-42</td> <td>"</td> <td>"</td> <td>V-675</td> <td>122</td> <td>1/2</td> <td>2900</td> <td>1\"/&gt;  <tr> <td>U-43</td> <td>"</td> <td>"</td> <td>V-675</td> <td>122</td> <td>1/2</td> <td>2900</td> <td>1\"/&gt;  <tr> <td>U-44</td> <td>"</td> <td>"</td> <td>V-675</td> <td>122</td> <td>1/2</td> <td>2900</td> <td>1\"/&gt;  <tr> <td>U-45</td> <td>"</td> <td>"</td> <td>V-675</td> <td>122</td> <td>1/2</td> <td>2900</td> <td>1\"/&gt;  <tr> <td>U-46</td> <td>"</td> <td>"</td> <td>V-675</td> <td>122</td> <td>1/2</td> <td>2900</td> <td>1\"/&gt;  <tr> <td>U-47</td> <td>"</td> <td>"</td> <td>V-675</td> <td>122</td> <td>1/2</td> <td>2900</td> <td>1\"/&gt;  <tr> <td>U-48</td> <td>"</td> <td>"</td> <td>V-675</td> <td>122</td> <td>1/2</td> <td>2900</td> <td>1\"/&gt;  <tr> <td>U-49</td> <td>"</td> <td>"</td> <td>V-675</td> <td>122</td> <td>1/2</td> <td>2900</td> <td>1\"/&gt;  <tr> <td>U-50</td> <td>"</td> <td>"</td> <td>V-675</td> <td>122</td> <td>1/2</td> <td>2900</td> <td>1\"/&gt;  </td></tr></td></tr></td></tr></td></tr></td></tr></td></tr></td></tr></td></tr></td></tr></td></tr></td></tr></td></tr></td></tr>   | U-38 | " | " | V-675 | 122 | 1/2 | 2900 | 1\"/> <tr> <td>U-39</td> <td>"</td> <td>"</td> <td>V-675</td> <td>122</td> <td>1/2</td> <td>2900</td> <td>1\"/&gt;  <tr> <td>U-40</td> <td>"</td> <td>"</td> <td>V-675</td> <td>122</td> <td>1/2</td> <td>2900</td> <td>1\"/&gt;  <tr> <td>U-41</td> <td>"</td> <td>"</td> <td>V-675</td> <td>122</td> <td>1/2</td> <td>2900</td> <td>1\"/&gt;  <tr> <td>U-42</td> <td>"</td> <td>"</td> <td>V-675</td> <td>122</td> <td>1/2</td> <td>2900</td> <td>1\"/&gt;  <tr> <td>U-43</td> <td>"</td> <td>"</td> <td>V-675</td> <td>122</td> <td>1/2</td> <td>2900</td> <td>1\"/&gt;  <tr> <td>U-44</td> <td>"</td> <td>"</td> <td>V-675</td> <td>122</td> <td>1/2</td> <td>2900</td> <td>1\"/&gt;  <tr> <td>U-45</td> <td>"</td> <td>"</td> <td>V-675</td> <td>122</td> <td>1/2</td> <td>2900</td> <td>1\"/&gt;  <tr> <td>U-46</td> <td>"</td> <td>"</td> <td>V-675</td> <td>122</td> <td>1/2</td> <td>2900</td> <td>1\"/&gt;  <tr> <td>U-47</td> <td>"</td> <td>"</td> <td>V-675</td> <td>122</td> <td>1/2</td> <td>2900</td> <td>1\"/&gt;  <tr> <td>U-48</td> <td>"</td> <td>"</td> <td>V-675</td> <td>122</td> <td>1/2</td> <td>2900</td> <td>1\"/&gt;  <tr> <td>U-49</td> <td>"</td> <td>"</td> <td>V-675</td> <td>122</td> <td>1/2</td> <td>2900</td> <td>1\"/&gt;  <tr> <td>U-50</td> <td>"</td> <td>"</td> <td>V-675</td> <td>122</td> <td>1/2</td> <td>2900</td> <td>1\"/&gt;  </td></tr></td></tr></td></tr></td></tr></td></tr></td></tr></td></tr></td></tr></td></tr></td></tr></td></tr></td></tr>  
  | U-39 | " | " | V-675 | 122 | 1/2 | 2900 | 1\"/> <tr> <td>U-40</td> <td>"</td> <td>"</td> <td>V-675</td> <td>122</td> <td>1/2</td> <td>2900</td> <td>1\"/&gt;  <tr> <td>U-41</td> <td>"</td> <td>"</td> <td>V-675</td> <td>122</td> <td>1/2</td> <td>2900</td> <td>1\"/&gt;  <tr> <td>U-42</td> <td>"</td> <td>"</td> <td>V-675</td> <td>122</td> <td>1/2</td> <td>2900</td> <td>1\"/&gt;  <tr> <td>U-43</td> <td>"</td> <td>"</td> <td>V-675</td> <td>122</td> <td>1/2</td> <td>2900</td> <td>1\"/&gt;  <tr> <td>U-44</td> <td>"</td> <td>"</td> <td>V-675</td> <td>122</td> <td>1/2</td> <td>2900</td> <td>1\"/&gt;  <tr> <td>U-45</td> <td>"</td> <td>"</td> <td>V-675</td> <td>122</td> <td>1/2</td> <td>2900</td> <td>1\"/&gt;  <tr> <td>U-46</td> <td>"</td> <td>"</td> <td>V-675</td> <td>122</td> <td>1/2</td> <td>2900</td> <td>1\"/&gt;  <tr> <td>U-47</td> <td>"</td> <td>"</td> <td>V-675</td> <td>122</td> <td>1/2</td> <td>2900</td> <td>1\"/&gt;  <tr> <td>U-48</td> <td>"</td> <td>"</td> <td>V-675</td> <td>122</td> <td>1/2</td> <td>2900</td> <td>1\"/&gt;  <tr> <td>U-49</td> <td>"</td> <td>"</td> <td>V-675</td> <td>122</td> <td>1/2</td> <td>2900</td> <td>1\"/&gt;  <tr> <td>U-50</td> <td>"</td> <td>"</td> <td>V-675</td> <td>122</td> <td>1/2</td> <td>2900</td> <td>1\"/&gt;  </td></tr></td></tr></td></tr></td></tr></td></tr></td></tr></td></tr></td></tr></td></tr></td></tr></td></tr>   | U-40 | " | " | V-675 | 122 | 1/2 | 2900 | 1\"/> <tr> <td>U-41</td> <td>"</td> <td>"</td> <td>V-675</td> <td>122</td> <td>1/2</td> <td>2900</td> <td>1\"/&gt;  <tr> <td>U-42</td> <td>"</td> <td>"</td> <td>V-675</td> <td>122</td> <td>1/2</td> <td>2900</td> <td>1\"/&gt;  <tr> <td>U-43</td> <td>"</td> <td>"</td> <td>V-675</td> <td>122</td> <td>1/2</td> <td>2900</td> <td>1\"/&gt;  <tr> <td>U-44</td> <td>"</td> <td>"</td> <td>V-675</td> <td>122</td> <td>1/2</td> <td>2900</td> <td>1\"/&gt;  <tr> <td>U-45</td> <td>"</td> <td>"</td> <td>V-675</td> <td>122</td> <td>1/2</td> <td>2900</td> <td>1\"/&gt;  <tr> <td>U-46</td> <td>"</td> <td>"</td> <td>V-675</td> <td>122</td> <td>1/2</td> <td>2900</td> <td>1\"/&gt;  <tr> <td>U-47</td> <td>"</td> <td>"</td> <td>V-675</td> <td>122</td> <td>1/2</td> <td>2900</td> <td>1\"/&gt;  <tr> <td>U-48</td> <td>"</td> <td>"</td> <td>V-675</td> <td>122</td> <td>1/2</td> <td>2900</td> <td>1\"/&gt;  <tr> <td>U-49</td> <td>"</td> <td>"</td> <td>V-675</td> <td>122</td> <td>1/2</td> <td>2900</td> <td>1\"/&gt;  <tr> <td>U-50</td> <td>"</td> <td>"</td> <td>V-675</td> <td>122</td> <td>1/2</td> <td>2900</td> <td>1\"/&gt;  </td></tr></td></tr></td></tr></td></tr></td></tr></td></tr></td></tr></td></tr></td></tr></td></tr>  
  | U-41 | " | " | V-675 | 122 | 1/2 | 2900 | 1\"/> <tr> <td>U-42</td> <td>"</td> <td>"</td> <td>V-675</td> <td>122</td> <td>1/2</td> <td>2900</td> <td>1\"/&gt;  <tr> <td>U-43</td> <td>"</td> <td>"</td> <td>V-675</td> <td>122</td> <td>1/2</td> <td>2900</td> <td>1\"/&gt;  <tr> <td>U-44</td> <td>"</td> <td>"</td> <td>V-675</td> <td>122</td> <td>1/2</td> <td>2900</td> <td>1\"/&gt;  <tr> <td>U-45</td> <td>"</td> <td>"</td> <td>V-675</td> <td>122</td> <td>1/2</td> <td>2900</td> <td>1\"/&gt;  <tr> <td>U-46</td> <td>"</td> <td>"</td> <td>V-675</td> <td>122</td> <td>1/2</td> <td>2900</td> <td>1\"/&gt;  <tr> <td>U-47</td> <td>"</td> <td>"</td> <td>V-675</td> <td>122</td> <td>1/2</td> <td>2900</td> <td>1\"/&gt;  <tr> <td>U-48</td> <td>"</td> <td>"</td> <td>V-675</td> <td>122</td> <td>1/2</td> <td>2900</td> <td>1\"/&gt;  <tr> <td>U-49</td> <td>"</td> <td>"</td> <td>V-675</td> <td>122</td> <td>1/2</td> <td>2900</td> <td>1\"/&gt;  <tr> <td>U-50</td> <td>"</td> <td>"</td> <td>V-675</td> <td>122</td> <td>1/2</td> <td>2900</td> <td>1\"/&gt;  </td></tr></td></tr></td></tr></td></tr></td></tr></td></tr></td></tr></td></tr></td></tr>   | U-42 | " | " | V-675 | 122 | 1/2 | 2900 | 1\"/> <tr> <td>U-43</td> <td>"</td> <td>"</td> <td>V-675</td> <td>122</td> <td>1/2</td> <td>2900</td> <td>1\"/&gt;  <tr> <td>U-44</td> <td>"</td> <td>"</td> <td>V-675</td> <td>122</td> <td>1/2</td> <td>2900</td> <td>1\"/&gt;  <tr> <td>U-45</td> <td>"</td> <td>"</td> <td>V-675</td> <td>122</td> <td>1/2</td> <td>2900</td> <td>1\"/&gt;  <tr> <td>U-46</td> <td>"</td> <td>"</td> <td>V-675</td> <td>122</td> <td>1/2</td> <td>2900</td> <td>1\"/&gt;  <tr> <td>U-47</td> <td>"</td> <td>"</td> <td>V-675</td> <td>122</td> <td>1/2</td> <td>2900</td> <td>1\"/&gt;  <tr> <td>U-48</td> <td>"</td> <td>"</td> <td>V-675</td> <td>122</td> <td>1/2</td> <td>2900</td> <td>1\"/&gt;  <tr> <td>U-49</td> <td>"</td> <td>"</td> <td>V-675</td> <td>122</td> <td>1/2</td> <td>2900</td> <td>1\"/&gt;  <tr> <td>U-50</td> <td>"</td> <td>"</td> <td>V-675</td> <td>122</td> <td>1/2</td> <td>2900</td> <td>1\"/&gt;  </td></tr></td></tr></td></tr></td></tr></td></tr></td></tr></td></tr></td></tr>  
  | U-43 | " | " | V-675 | 122 | 1/2 | 2900 | 1\"/> <tr> <td>U-44</td> <td>"</td> <td>"</td> <td>V-675</td> <td>122</td> <td>1/2</td> <td>2900</td> <td>1\"/&gt;  <tr> <td>U-45</td> <td>"</td> <td>"</td> <td>V-675</td> <td>122</td> <td>1/2</td> <td>2900</td> <td>1\"/&gt;  <tr> <td>U-46</td> <td>"</td> <td>"</td> <td>V-675</td> <td>122</td> <td>1/2</td> <td>2900</td> <td>1\"/&gt;  <tr> <td>U-47</td> <td>"</td> <td>"</td> <td>V-675</td> <td>122</td> <td>1/2</td> <td>2900</td> <td>1\"/&gt;  <tr> <td>U-48</td> <td>"</td> <td>"</td> <td>V-675</td> <td>122</td> <td>1/2</td> <td>2900</td> <td>1\"/&gt;  <tr> <td>U-49</td> <td>"</td> <td>"</td> <td>V-675</td> <td>122</td> <td>1/2</td> <td>2900</td> <td>1\"/&gt;  <tr> <td>U-50</td> <td>"</td> <td>"</td> <td>V-675</td> <td>122</td> <td>1/2</td> <td>2900</td> <td>1\"/&gt;  </td></tr></td></tr></td></tr></td></tr></td></tr></td></tr></td></tr>   | U-44 | " | " | V-675 | 122 | 1/2 | 2900 | 1\"/> <tr> <td>U-45</td> <td>"</td> <td>"</td> <td>V-675</td> <td>122</td> <td>1/2</td> <td>2900</td> <td>1\"/&gt;  <tr> <td>U-46</td> <td>"</td> <td>"</td> <td>V-675</td> <td>122</td> <td>1/2</td> <td>2900</td> <td>1\"/&gt;  <tr> <td>U-47</td> <td>"</td> <td>"</td> <td>V-675</td> <td>122</td> <td>1/2</td> <td>2900</td> <td>1\"/&gt;  <tr> <td>U-48</td> <td>"</td> <td>"</td> <td>V-675</td> <td>122</td> <td>1/2</td> <td>2900</td> <td>1\"/&gt;  <tr> <td>U-49</td> <td>"</td> <td>"</td> <td>V-675</td> <td>122</td> <td>1/2</td> <td>2900</td> <td>1\"/&gt;  <tr> <td>U-50</td> <td>"</td> <td>"</td> <td>V-675</td> <td>122</td> <td>1/2</td> <td>2900</td> <td>1\"/&gt;  </td></tr></td></tr></td></tr></td></tr></td></tr></td></tr>   | U-45 | " | " | V-675 | 122 | 1/2 | 2900 | 1\"/> <tr> <td>U-46</td> <td>"</td> <td>"</td> <td>V-675</td> <td>122</td> <td>1/2</td> <td>2900</td> <td>1\"/&gt;  <tr> <td>U-47</td> <td>"</td> <td>"</td> <td>V-675</td> <td>122</td> <td>1/2</td> <td>2900</td> <td>1\"/&gt;  <tr> <td>U-48</td> <td>"</td> <td>"</td> <td>V-675</td> <td>122</td> <td>1/2</td> <td>2900</td> <td>1\"/&gt;  <tr> <td>U-49</td> <td>"</td> <td>"</td> <td>V-675</td> <td>122</td> <td>1/2</td> <td>2900</td> <td>1\"/&gt;  <tr> <td>U-50</td> <td>"</td> <td>"</td> <td>V-675</td> <td>122</td> <td>1/2</td> <td>2900</td> <td>1\"/&gt;  </td></tr></td></tr></td></tr></td></tr></td></tr>   
   | U-46 | " | " | V-675 | 122 | 1/2 | 2900 | 1\"/> <tr> <td>U-47</td> <td>"</td> <td>"</td> <td>V-675</td> <td>122</td> <td>1/2</td> <td>2900</td> <td>1\"/&gt;  <tr> <td>U-48</td> <td>"</td> <td>"</td> <td>V-675</td> <td>122</td> <td>1/2</td> <td>2900</td> <td>1\"/&gt;  <tr> <td>U-49</td> <td>"</td> <td>"</td> <td>V-675</td> <td>122</td> <td>1/2</td> <td>2900</td> <td>1\"/&gt;  <tr> <td>U-50</td> <td>"</td> <td>"</td> <td>V-675</td> <td>122</td> <td>1/2</td> <td>2900</td> <td>1\"/&gt;  </td></tr></td></tr></td></tr></td></tr>   | U-47 | " | " | V-675 | 122 | 1/2 | 2900 | 1\"/> <tr> <td>U-48</td> <td>"</td> <td>"</td> <td>V-675</td> <td>122</td> <td>1/2</td> <td>2900</td> <td>1\"/&gt;  <tr> <td>U-49</td> <td>"</td> <td>"</td> <td>V-675</td> <td>122</td> <td>1/2</td> <td>2900</td> <td>1\"/&gt;  <tr> <td>U-50</td> <td>"</td> <td>"</td> <td>V-675</td> <td>122</td> <td>1/2</td> <td>2900</td> <td>1\"/&gt;  </td></tr></td></tr></td></tr>   
   | U-48 | " | " | V-675 | 122 | 1/2 | 2900 | 1\"/> <tr> <td>U-49</td> <td>"</td> <td>"</td> <td>V-675</td> <td>122</td> <td>1/2</td> <td>2900</td> <td>1\"/&gt;  <tr> <td>U-50</td> <td>"</td> <td>"</td> <td>V-675</td> <td>122</td> <td>1/2</td> <td>2900</td> <td>1\"/&gt;  </td></tr></td></tr>   | U-49 | " | " | V-675 | 122 | 1/2 | 2900 | 1\"/> <tr> <td>U-50</td> <td>"</td> <td>"</td> <td>V-675</td> <td>122</td> <td>1/2</td> <td>2900</td> <td>1\"/&gt;  </td></tr>   | U-50 | " | " | V-675 | 122 | 1/2 | 2900 | 1\"/>   
  |      |   |   |       |     |     |      |  |      |   |   |       |     |     |      |  |      |   |   |       |     |     |      |  |      |   |   |       |     |     |      | | | | | | | | | | | | | | | | | | | | | | | | | | | | | | | | | |
  |      |   |   |       |     |     |      |  |      |   |   |       |     |     |      |  |      |   |   |       |     |     |      |  
   |      |   |   |       |     |     |      |  |      |   |   |       |     |     |      |  |      |   |   |       |     |     |      |  |      |   |   |       |     |     |      |  |      |   |   |       |     |     |      |   
  |      |   |   |       |     |     |      |  |      |   |   |       |     |     |      |  |      |   |   |       |     |     |      |  |      |   |   |       |     |     |      |  |      |   |   |       |     |     |      |  |      |   |   |       |     |     |      |  |      |   |   |       |     |     |      |  
   |      |   |   |       |     |     |      |  |      |   |   |       |     |     |      |  |      |   |   |       |     |     |      |  |      |   |   |       |     |     |      |  |      |   |   |       |     |     |      |  |      |   |   |       |     |     |      |  |      |   |   |       |     |     |      |  |      |   |   |       |     |     |      |       |
| U-23 | "             | "                       | V-675    | 122  | 1/2           | 2900    | 1\"/> <tr> <td>U-24</td> <td>"</td> <td>"</td> <td>V-675</td> <td>122</td> <td>1/2</td> <td>2900</td> <td>1\"/&gt;  <tr> <td>U-25</td> <td>"</td> <td>"</td> <td>V-675</td> <td>122</td> <td>1/2</td> <td>2900</td> <td>1\"/&gt;  <tr> <td>U-26</td> <td>"</td> <td>"</td> <td>V-675</td> <td>122</td> <td>1/2</td> <td>2900</td> <td>1\"/&gt;  <tr> <td>U-27</td> <td>"</td> <td>"</td> <td>V-675</td> <td>122</td> <td>1/2</td> <td>2900</td> <td>1\"/&gt;  <tr> <td>U-28</td> <td>"</td> <td>"</td> <td>V-675</td> <td>122</td> <td>1/2</td> <td>2900</td> <td>1\"/&gt;  <tr> <td>U-29</td> <td>"</td> <td>"</td> <td>V-675</td> <td>122</td> <td>1/2</td> <td>2900</td> <td>1\"/&gt;  <tr> <td>U-30</td> <td>"</td> <td>"</td> <td>V-675</td> <td>122</td> <td>1/2</td> <td>2900</td> <td>1\"/&gt;  <tr> <td>U-31</td> <td>"</td> <td>"</td> <td>V-675</td> <td>122</td> <td>1/2</td> <td>2900</td> <td>1\"/&gt;  <tr> <td>U-32</td> <td>"</td> <td>"</td> <td>V-675</td> <td>122</td> <td>1/2</td> <td>2900</td> <td>1\"/&gt;  <tr> <td>U-33</td> <td>"</td> <td>"</td> <td>V-675</td> <td>122</td> <td>1/2</td> <td>2900</td> <td>1\"/&gt;  <tr> <td>U-34</td> <td>"</td> <td>"</td> <td>V-675</td> <td>122</td> <td>1/2</td> <td>2900</td> <td>1\"/&gt;  <tr> <td>U-35</td> <td>"</td> <td>"</td> <td>V-675</td> <td>122</td> <td>1/2</td> <td>2900</td> <td>1\"/&gt;  <tr> <td>U-36</td> <td>"</td> <td>"</td> <td>V-675</td> <td>122</td> <td>1/2</td> <td>2900</td> <td>1\"/&gt;  <tr> <td>U-37</td> <td>"</td> <td>"</td> <td>V-675</td> <td>122</td> <td>1/2</td> <td>2900</td> <td>1\"/&gt;  <tr> <td>U-38</td> <td>"</td> <td>"</td> <td>V-675</td> <td>122</td> <td>1/2</td> <td>2900</td> <td>1\"/&gt;  <tr> <td>U-39</td> <td>"</td> <td>"</td> <td>V-675</td> <td>122</td> <td>1/2</td> <td>2900</td> <td>1\"/&gt;  <tr> <td>U-40</td> <td>"</td> <td>"</td> <td>V-675</td> <td>122</td> <td>1/2</td> <td>2900</td> <td>1\"/&gt;  <tr> <td>U-41</td> <td>"</td> <td>"</td> <td>V-675</td> <td>122</td> <td>1/2</td> <td>2900</td> <td>1\"/&gt;  <tr> <td>U-42</td> <td>"</td> <td>"</td> <td>V-675</td> <td>122</td> <td>1/2</td> <td>2900</td> <td>1\"/&gt;  <tr> <td>U-43</td> <td>"</td> <td>"</td> <td>V-675</td> <td>122</td> <td>1/2</td> <td>2900</td> <td>1\"/&gt;  <tr> <td>U-44</td> <td>"</td> <td>"</td> <td>V-675</td> <td>122</td> <td>1/2</td> <td>2900</td> <td>1\"/&gt;  <tr> <td>U-45</td> <td>"</td> <td>"</td> <td>V-675</td> <td>122</td> <td>1/2</td> <td>2900</td> <td>1\"/&gt;  <tr> <td>U-46</td> <td>"</td> <td>"</td> <td>V-675</td> <td>122</td> <td>1/2</td> <td>2900</td> <td>1\"/&gt;  <tr> <td>U-47</td> <td>"</td> <td>"</td> <td>V-675</td> <td>122</td> <td>1/2</td> <td>2900</td> <td>1\"/&gt;  <tr> <td>U-48</td> <td>"</td> <td>"</td> <td>V-675</td> <td>122</td> <td>1/2</td> <td>2900</td> <td>1\"/&gt;  <tr> <td>U-49</td> <td>"</td> <td>"</td> <td>V-675</td> <td>122</td> <td>1/2</td> <td>2900</td> <td>1\"/&gt;  <tr> <td>U-50</td> <td>"</td> <td>"</td> <td>V-675</td> <td>122</td> <td>1/2</td> <td>2900</td> <td>1\"/&gt;  </td></tr></td></tr></td></tr></td></tr></td></tr></td></tr></td></tr></td></tr></td></tr></td></tr></td></tr></td></tr></td></tr></td></tr></td></tr></td></tr></td></tr></td></tr></td></tr></td></tr></td></tr></td></tr></td></tr></td></tr></td></tr></td></tr></td></tr>  | U-24 | " | " | V-675  | 122  | 1/2 | 2900   | 1\"/> <tr> <td>U-25</td> <td>"</td> <td>"</td> <td>V-675</td> <td>122</td> <td>1/2</td> <td>2900</td> <td>1\"/&gt;  <tr> <td>U-26</td> <td>"</td> <td>"</td> <td>V-675</td> <td>122</td> <td>1/2</td> <td>2900</td> <td>1\"/&gt;  <tr> <td>U-27</td> <td>"</td> <td>"</td> <td>V-675</td> <td>122</td> <td>1/2</td> <td>2900</td> <td>1\"/&gt;  <tr> <td>U-28</td> <td>"</td> <td>"</td> <td>V-675</td> <td>122</td> <td>1/2</td> <td>2900</td> <td>1\"/&gt;  <tr> <td>U-29</td> <td>"</td> <td>"</td> <td>V-675</td> <td>122</td> <td>1/2</td> <td>2900</td> <td>1\"/&gt;  <tr> <td>U-30</td> <td>"</td> <td>"</td> <td>V-675</td> <td>122</td> <td>1/2</td> <td>2900</td> <td>1\"/&gt;  <tr> <td>U-31</td> <td>"</td> <td>"</td> <td>V-675</td> <td>122</td> <td>1/2</td> <td>2900</td> <td>1\"/&gt;  <tr> <td>U-32</td> <td>"</td> <td>"</td> <td>V-675</td> <td>122</td> <td>1/2</td> <td>2900</td> <td>1\"/&gt;  <tr> <td>U-33</td> <td>"</td> <td>"</td> <td>V-675</td> <td>122</td> <td>1/2</td> <td>2900</td> <td>1\"/&gt;  <tr> <td>U-34</td> <td>"</td> <td>"</td> <td>V-675</td> <td>122</td> <td>1/2</td> <td>2900</td> <td>1\"/&gt;  <tr> <td>U-35</td> <td>"</td> <td>"</td> <td>V-675</td> <td>122</td> <td>1/2</td> <td>2900</td> <td>1\"/&gt;  <tr> <td>U-36</td> <td>"</td> <td>"</td> <td>V-675</td> <td>122</td> <td>1/2</td> <td>2900</td> <td>1\"/&gt;  <tr> <td>U-37</td> <td>"</td> <td>"</td> <td>V-675</td> <td>122</td> <td>1/2</td> <td>2900</td> <td>1\"/&gt;  <tr> <td>U-38</td> <td>"</td> <td>"</td> <td>V-675</td> <td>122</td> <td>1/2</td> <td>2900</td> <td>1\"/&gt;  <tr> <td>U-39</td> <td>"</td> <td>"</td> <td>V-675</td> <td>122</td> <td>1/2</td> <td>2900</td> <td>1\"/&gt;  <tr> <td>U-40</td> <td>"</td> <td>"</td> <td>V-675</td> <td>122</td> <td>1/2</td> <td>2900</td> <td>1\"/&gt;  <tr> <td>U-41</td> <td>"</td> <td>"</td> <td>V-675</td> <td>122</td> <td>1/2</td> <td>2900</td> <td>1\"/&gt;  <tr> <td>U-42</td> <td>"</td> <td>"</td> <td>V-675</td> <td>122</td> <td>1/2</td> <td>2900</td> <td>1\"/&gt;  <tr> <td>U-43</td> <td>"</td> <td>"</td> <td>V-675</td> <td>122</td> <td>1/2</td> <td>2900</td> <td>1\"/&gt;  <tr> <td>U-44</td> <td>"</td> <td>"</td> <td>V-675</td> <td>122</td> <td>1/2</td> <td>2900</td> <td>1\"/&gt;  <tr> <td>U-45</td> <td>"</td> <td>"</td> <td>V-675</td> <td>122</td> <td>1/2</td> <td>2900</td> <td>1\"/&gt;  <tr> <td>U-46</td> <td>"</td> <td>"</td> <td>V-675</td> <td>122</td> <td>1/2</td> <td>2900</td> <td>1\"/&gt;  <tr> <td>U-47</td> <td>"</td> <td>"</td> <td>V-675</td> <td>122</td> <td>1/2</td> <td>2900</td> <td>1\"/&gt;  <tr> <td>U-48</td> <td>"</td> <td>"</td> <td>V-675</td> <td>122</td> <td>1/2</td> <td>2900</td> <td>1\"/&gt;  <tr> <td>U-49</td> <td>"</td> <td>"</td> <td>V-675</td> <td>122</td> <td>1/2</td> <td>2900</td> <td>1\"/&gt;  <tr> <td>U-50</td> <td>"</td> <td>"</td> <td>V-675</td> <td>122</td> <td>1/2</td> <td>2900</td> <td>1\"/&gt;  </td></tr></td></tr></td></tr></td></tr></td></tr></td></tr></td></tr></td></tr></td></tr></td></tr></td></tr></td></tr></td></tr></td></tr></td></tr></td></tr></td></tr></td></tr></td></tr></td></tr></td></tr></td></tr></td></tr></td></tr></td></tr></td></tr>  
  | U-25 | " | " | V-675  | 122 | 1/2 | 2900   | 1\"/> <tr> <td>U-26</td> <td>"</td> <td>"</td> <td>V-675</td> <td>122</td> <td>1/2</td> <td>2900</td> <td>1\"/&gt;  <tr> <td>U-27</td> <td>"</td> <td>"</td> <td>V-675</td> <td>122</td> <td>1/2</td> <td>2900</td> <td>1\"/&gt;  <tr> <td>U-28</td> <td>"</td> <td>"</td> <td>V-675</td> <td>122</td> <td>1/2</td> <td>2900</td> <td>1\"/&gt;  <tr> <td>U-29</td> <td>"</td> <td>"</td> <td>V-675</td> <td>122</td> <td>1/2</td> <td>2900</td> <td>1\"/&gt;  <tr> <td>U-30</td> <td>"</td> <td>"</td> <td>V-675</td> <td>122</td> <td>1/2</td> <td>2900</td> <td>1\"/&gt;  <tr> <td>U-31</td> <td>"</td> <td>"</td> <td>V-675</td> <td>122</td> <td>1/2</td> <td>2900</td> <td>1\"/&gt;  <tr> <td>U-32</td> <td>"</td> <td>"</td> <td>V-675</td> <td>122</td> <td>1/2</td> <td>2900</td> <td>1\"/&gt;  <tr> <td>U-33</td> <td>"</td> <td>"</td> <td>V-675</td> <td>122</td> <td>1/2</td> <td>2900</td> <td>1\"/&gt;  <tr> <td>U-34</td> <td>"</td> <td>"</td> <td>V-675</td> <td>122</td> <td>1/2</td> <td>2900</td> <td>1\"/&gt;  <tr> <td>U-35</td> <td>"</td> <td>"</td> <td>V-675</td> <td>122</td> <td>1/2</td> <td>2900</td> <td>1\"/&gt;  <tr> <td>U-36</td> <td>"</td> <td>"</td> <td>V-675</td> <td>122</td> <td>1/2</td> <td>2900</td> <td>1\"/&gt;  <tr> <td>U-37</td> <td>"</td> <td>"</td> <td>V-675</td> <td>122</td> <td>1/2</td> <td>2900</td> <td>1\"/&gt;  <tr> <td>U-38</td> <td>"</td> <td>"</td> <td>V-675</td> <td>122</td> <td>1/2</td> <td>2900</td> <td>1\"/&gt;  <tr> <td>U-39</td> <td>"</td> <td>"</td> <td>V-675</td> <td>122</td> <td>1/2</td> <td>2900</td> <td>1\"/&gt;  <tr> <td>U-40</td> <td>"</td> <td>"</td> <td>V-675</td> <td>122</td> <td>1/2</td> <td>2900</td> <td>1\"/&gt;  <tr> <td>U-41</td> <td>"</td> <td>"</td> <td>V-675</td> <td>122</td> <td>1/2</td> <td>2900</td> <td>1\"/&gt;  <tr> <td>U-42</td> <td>"</td> <td>"</td> <td>V-675</td> <td>122</td> <td>1/2</td> <td>2900</td> <td>1\"/&gt;  <tr> <td>U-43</td> <td>"</td> <td>"</td> <td>V-675</td> <td>122</td> <td>1/2</td> <td>2900</td> <td>1\"/&gt;  <tr> <td>U-44</td> <td>"</td> <td>"</td> <td>V-675</td> <td>122</td> <td>1/2</td> <td>2900</td> <td>1\"/&gt;  <tr> <td>U-45</td> <td>"</td> <td>"</td> <td>V-675</td> <td>122</td> <td>1/2</td> <td>2900</td> <td>1\"/&gt;  <tr> <td>U-46</td> <td>"</td> <td>"</td> <td>V-675</td> <td>122</td> <td>1/2</td> <td>2900</td> <td>1\"/&gt;  <tr> <td>U-47</td> <td>"</td> <td>"</td> <td>V-675</td> <td>122</td> <td>1/2</td> <td>2900</td> <td>1\"/&gt;  <tr> <td>U-48</td> <td>"</td> <td>"</td> <td>V-675</td> <td>122</td> <td>1/2</td> <td>2900</td> <td>1\"/&gt;  <tr> <td>U-49</td> <td>"</td> <td>"</td> <td>V-675</td> <td>122</td> <td>1/2</td> <td>2900</td> <td>1\"/&gt;  <tr> <td>U-50</td> <td>"</td> <td>"</td> <td>V-675</td> <td>122</td> <td>1/2</td> <td>2900</td> <td>1\"/&gt;  </td></tr></td></tr></td></tr></td></tr></td></tr></td></tr></td></tr></td></tr></td></tr></td></tr></td></tr></td></tr></td></tr></td></tr></td></tr></td></tr></td></tr></td></tr></td></tr></td></tr></td></tr></td></tr></td></tr></td></tr></td></tr>   | U-26 | " | " | V-675 | 122 | 1/2 | 2900    | 1\"/> <tr> <td>U-27</td> <td>"</td> <td>"</td> <td>V-675</td> <td>122</td> <td>1/2</td> <td>2900</td> <td>1\"/&gt;  <tr> <td>U-28</td> <td>"</td> <td>"</td> <td>V-675</td> <td>122</td> <td>1/2</td> <td>2900</td> <td>1\"/&gt;  <tr> <td>U-29</td> <td>"</td> <td>"</td> <td>V-675</td> <td>122</td> <td>1/2</td> <td>2900</td> <td>1\"/&gt;  <tr> <td>U-30</td> <td>"</td> <td>"</td> <td>V-675</td> <td>122</td> <td>1/2</td> <td>2900</td> <td>1\"/&gt;  <tr> <td>U-31</td> <td>"</td> <td>"</td> <td>V-675</td> <td>122</td> <td>1/2</td> <td>2900</td> <td>1\"/&gt;  <tr> <td>U-32</td> <td>"</td> <td>"</td> <td>V-675</td> <td>122</td> <td>1/2</td> <td>2900</td> <td>1\"/&gt;  <tr> <td>U-33</td> <td>"</td> <td>"</td> <td>V-675</td> <td>122</td> <td>1/2</td> <td>2900</td> <td>1\"/&gt;  <tr> <td>U-34</td> <td>"</td> <td>"</td> <td>V-675</td> <td>122</td> <td>1/2</td> <td>2900</td> <td>1\"/&gt;  <tr> <td>U-35</td> <td>"</td> <td>"</td> <td>V-675</td> <td>122</td> <td>1/2</td> <td>2900</td> <td>1\"/&gt;  <tr> <td>U-36</td> <td>"</td> <td>"</td> <td>V-675</td> <td>122</td> <td>1/2</td> <td>2900</td> <td>1\"/&gt;  <tr> <td>U-37</td> <td>"</td> <td>"</td> <td>V-675</td> <td>122</td> <td>1/2</td> <td>2900</td> <td>1\"/&gt;  <tr> <td>U-38</td> <td>"</td> <td>"</td> <td>V-675</td> <td>122</td> <td>1/2</td> <td>2900</td> <td>1\"/&gt;  <tr> <td>U-39</td> <td>"</td> <td>"</td> <td>V-675</td> <td>122</td> <td>1/2</td> <td>2900</td> <td>1\"/&gt;  <tr> <td>U-40</td> <td>"</td> <td>"</td> <td>V-675</td> <td>122</td> <td>1/2</td> <td>2900</td> <td>1\"/&gt;  <tr> <td>U-41</td> <td>"</td> <td>"</td> <td>V-675</td> <td>122</td> <td>1/2</td> <td>2900</td> <td>1\"/&gt;  <tr> <td>U-42</td> <td>"</td> <td>"</td> <td>V-675</td> <td>122</td> <td>1/2</td> <td>2900</td> <td>1\"/&gt;  <tr> <td>U-43</td> <td>"</td> <td>"</td>
<td>V-675</td> <td>122</td> <td>1/2</td> <td>2900</td> <td>1\"/&gt;  <tr> <td>U-44</td> <td>"</td> <td>"</td> <td>V-675</td> <td>122</td> <td>1/2</td> <td>2900</td> <td>1\"/&gt;  <tr> <td>U-45</td> <td>"</td> <td>"</td> <td>V-675</td> <td>122</td> <td>1/2</td> <td>2900</td> <td>1\"/&gt;  <tr> <td>U-46</td> <td>"</td> <td>"</td> <td>V-675</td> <td>122</td> <td>1/2</td> <td>2900</td> <td>1\"/&gt;  <tr> <td>U-47</td> <td>"</td> <td>"</td> <td>V-675</td> <td>122</td> <td>1/2</td> <td>2900</td> <td>1\"/&gt;  <tr> <td>U-48</td> <td>"</td> <td>"</td> <td>V-675</td> <td>122</td> <td>1/2</td> <td>2900</td> <td>1\"/&gt;  <tr> <td>U-49</td> <td>"</td> <td>"</td> <td>V-675</td> <td>122</td> <td>1/2</td> <td>2900</td> <td>1\"/&gt;  <tr> <td>U-50</td> <td>"</td> <td>"</td> <td>V-675</td> <td>122</td> <td>1/2</td> <td>2900</td> <td>1\"/&gt;  </td></tr></td></tr></td></tr></td></tr></td></tr></td></tr></td></tr></td></tr></td></tr></td></tr></td></tr></td></tr></td></tr></td></tr></td></tr></td></tr></td></tr></td></tr></td></tr></td></tr></td></tr></td></tr></td></tr></td></tr>  | U-27 | " | " | V-675 | 122 | 1/2 | 2900   | 1\"/> <tr> <td>U-28</td> <td>"</td> <td>"</td> <td>V-675</td> <td>122</td> <td>1/2</td> <td>2900</td> <td>1\"/&gt;  <tr> <td>U-29</td> <td>"</td> <td>"</td> <td>V-675</td> <td>122</td> <td>1/2</td> <td>2900</td> <td>1\"/&gt;  <tr> <td>U-30</td> <td>"</td> <td>"</td> <td>V-675</td> <td>122</td> <td>1/2</td> <td>2900</td> <td>1\"/&gt;  <tr> <td>U-31</td> <td>"</td> <td>"</td> <td>V-675</td> <td>122</td> <td>1/2</td> <td>2900</td> <td>1\"/&gt;  <tr> <td>U-32</td> <td>"</td> <td>"</td> <td>V-675</td> <td>122</td> <td>1/2</td> <td>2900</td> <td>1\"/&gt;  <tr> <td>U-33</td> <td>"</td> <td>"</td> <td>V-675</td> <td>122</td> <td>1/2</td> <td>2900</td> <td>1\"/&gt;  <tr> <td>U-34</td> <td>"</td> <td>"</td> <td>V-675</td> <td>122</td> <td>1/2</td> <td>2900</td> <td>1\"/&gt;  <tr> <td>U-35</td> <td>"</td> <td>"</td> <td>V-675</td> <td>122</td> <td>1/2</td> <td>2900</td> <td>1\"/&gt;  <tr> <td>U-36</td> <td>"</td> <td>"</td> <td>V-675</td> <td>122</td> <td>1/2</td> <td>2900</td> <td>1\"/&gt;  <tr> <td>U-37</td> <td>"</td> <td>"</td> <td>V-675</td> <td>122</td> <td>1/2</td> <td>2900</td> <td>1\"/&gt;  <tr> <td>U-38</td> <td>"</td> <td>"</td> <td>V-675</td> <td>122</td> <td>1/2</td> <td>2900</td> <td>1\"/&gt;  <tr> <td>U-39</td> <td>"</td> <td>"</td> <td>V-675</td> <td>122</td> <td>1/2</td> <td>2900</td> <td>1\"/&gt;  <tr> <td>U-40</td> <td>"</td> <td>"</td> <td>V-675</td> <td>122</td> <td>1/2</td> <td>2900</td> <td>1\"/&gt;  <tr> <td>U-41</td> <td>"</td> <td>"</td> <td>V-675</td> <td>122</td> <td>1/2</td> <td>2900</td> <td>1\"/&gt;  <tr> <td>U-42</td> <td>"</td> <td>"</td> <td>V-675</td> <td>122</td> <td>1/2</td> <td>2900</td> <td>1\"/&gt;  <tr> <td>U-43</td> <td>"</td> <td>"</td> <td>V-675</td> <td>122</td> <td>1/2</td> <td>2900</td> <td>1\"/&gt;  <tr> <td>U-44</td> <td>"</td> <td>"</td> <td>V-675</td> <td>122</td> <td>1/2</td> <td>2900</td> <td>1\"/&gt;  <tr> <td>U-45</td> <td>"</td> <td>"</td> <td>V-675</td> <td>122</td> <td>1/2</td> <td>2900</td> <td>1\"/&gt;  <tr> <td>U-46</td> <td>"</td> <td>"</td> <td>V-675</td> <td>122</td> <td>1/2</td> <td>2900</td> <td>1\"/&gt;  <tr> <td>U-47</td> <td>"</td> <td>"</td> <td>V-675</td> <td>122</td> <td>1/2</td> <td>2900</td> <td>1\"/&gt;  <tr> <td>U-48</td> <td>"</td> <td>"</td> <td>V-675</td> <td>122</td> <td>1/2</td> <td>2900</td> <td>1\"/&gt;  <tr> <td>U-49</td> <td>"</td> <td>"</td> <td>V-675</td> <td>122</td> <td>1/2</td> <td>2900</td> <td>1\"/&gt;  <tr> <td>U-50</td> <td>"</td> <td>"</td> <td>V-675</td> <td>122</td> <td>1/2</td> <td>2900</td> <td>1\"/&gt;  </td></tr></td></tr></td></tr></td></tr></td></tr></td></tr></td></tr></td></tr></td></tr></td></tr></td></tr></td></tr></td></tr></td></tr></td></tr></td></tr></td></tr></td></tr></td></tr></td></tr></td></tr></td></tr></td></tr>   | U-28 | " | " | V-675 | 122 | 1/2 | 2900    | 1\"/> <tr> <td>U-29</td> <td>"</td> <td>"</td> <td>V-675</td> <td>122</td> <td>1/2</td> <td>2900</td> <td>1\"/&gt;  <tr> <td>U-30</td> <td>"</td> <td>"</td> <td>V-675</td> <td>122</td> <td>1/2</td> <td>2900</td> <td>1\"/&gt;  <tr> <td>U-31</td> <td>"</td> <td>"</td> <td>V-675</td> <td>122</td> <td>1/2</td> <td>2900</td> <td>1\"/&gt;  <tr> <td>U-32</td> <td>"</td> <td>"</td> <td>V-675</td> <td>122</td> <td>1/2</td> <td>2900</td> <td>1\"/&gt;  <tr> <td>U-33</td> <td>"</td> <td>"</td> <td>V-675</td> <td>122</td> <td>1/2</td> <td>2900</td> <td>1\"/&gt;  <tr> <td>U-34</td> <td>"</td> <td>"</td> <td>V-675</td> <td>122</td> <td>1/2</td> <td>2900</td> <td>1\"/&gt;  <tr> <td>U-35</td> <td>"</td> <td>"</td> <td>V-675</td> <td>122</td> <td>1/2</td> <td>2900</td> <td>1\"/&gt;  <tr>
<td>U-36</td> <td>"</td> <td>"</td> <td>V-675</td> <td>122</td> <td>1/2</td> <td>2900</td> <td>1\"/&gt;  <tr> <td>U-37</td> <td>"</td> <td>"</td> <td>V-675</td> <td>122</td> <td>1/2</td> <td>2900</td> <td>1\"/&gt;  <tr> <td>U-38</td> <td>"</td> <td>"</td> <td>V-675</td> <td>122</td> <td>1/2</td> <td>2900</td> <td>1\"/&gt;  <tr> <td>U-39</td> <td>"</td> <td>"</td> <td>V-675</td> <td>122</td> <td>1/2</td> <td>2900</td> <td>1\"/&gt;  <tr> <td>U-40</td> <td>"</td> <td>"</td> <td>V-675</td> <td>122</td> <td>1/2</td> <td>2900</td> <td>1\"/&gt;  <tr> <td>U-41</td> <td>"</td> <td>"</td> <td>V-675</td> <td>122</td> <td>1/2</td> <td>2900</td> <td>1\"/&gt;  <tr> <td>U-42</td> <td>"</td> <td>"</td> <td>V-675</td> <td>122</td> <td>1/2</td> <td>2900</td> <td>1\"/&gt;  <tr> <td>U-43</td> <td>"</td> <td>"</td> <td>V-675</td> <td>122</td> <td>1/2</td> <td>2900</td> <td>1\"/&gt;  <tr> <td>U-44</td> <td>"</td> <td>"</td> <td>V-675</td> <td>122</td> <td>1/2</td> <td>2900</td> <td>1\"/&gt;  <tr> <td>U-45</td> <td>"</td> <td>"</td> <td>V-675</td> <td>122</td> <td>1/2</td> <td>2900</td> <td>1\"/&gt;  <tr> <td>U-46</td> <td>"</td> <td>"</td> <td>V-675</td> <td>122</td> <td>1/2</td> <td>2900</td> <td>1\"/&gt;  <tr> <td>U-47</td> <td>"</td> <td>"</td> <td>V-675</td> <td>122</td> <td>1/2</td> <td>2900</td> <td>1\"/&gt;  <tr> <td>U-48</td> <td>"</td> <td>"</td> <td>V-675</td> <td>122</td> <td>1/2</td> <td>2900</td> <td>1\"/&gt;  <tr> <td>U-49</td> <td>"</td> <td>"</td> <td>V-675</td> <td>122</td> <td>1/2</td> <td>2900</td> <td>1\"/&gt;  <tr> <td>U-50</td> <td>"</td> <td>"</td> <td>V-675</td> <td>122</td> <td>1/2</td> <td>2900</td> <td>1\"/&gt;  </td></tr></td></tr></td></tr></td></tr></td></tr></td></tr></td></tr></td></tr></td></tr></td></tr></td></tr></td></tr></td></tr></td></tr></td></tr></td></tr></td></tr></td></tr></td></tr></td></tr></td></tr></td></tr>  | U-29 | "           | "      | V-675  | 122  | 1/2 | 2900 | 1\"/> <tr> <td>U-30</td> <td>"</td> <td>"</td> <td>V-675</td> <td>122</td> <td>1/2</td> <td>2900</td> <td>1\"/&gt;  <tr> <td>U-31</td> <td>"</td> <td>"</td> <td>V-675</td> <td>122</td> <td>1/2</td> <td>2900</td> <td>1\"/&gt;  <tr> <td>U-32</td> <td>"</td> <td>"</td> <td>V-675</td> <td>122</td> <td>1/2</td> <td>2900</td> <td>1\"/&gt;  <tr> <td>U-33</td> <td>"</td> <td>"</td> <td>V-675</td> <td>122</td> <td>1/2</td> <td>2900</td> <td>1\"/&gt;  <tr> <td>U-34</td> <td>"</td> <td>"</td> <td>V-675</td> <td>122</td> <td>1/2</td> <td>2900</td> <td>1\"/&gt;  <tr> <td>U-35</td> <td>"</td> <td>"</td> <td>V-675</td> <td>122</td> <td>1/2</td> <td>2900</td> <td>1\"/&gt;  <tr> <td>U-36</td> <td>"</td> <td>"</td> <td>V-675</td> <td>122</td> <td>1/2</td> <td>2900</td> <td>1\"/&gt;  <tr> <td>U-37</td> <td>"</td> <td>"</td> <td>V-675</td> <td>122</td> <td>1/2</td> <td>2900</td> <td>1\"/&gt;  <tr> <td>U-38</td> <td>"</td> <td>"</td> <td>V-675</td> <td>122</td> <td>1/2</td> <td>2900</td> <td>1\"/&gt;  <tr> <td>U-39</td> <td>"</td> <td>"</td> <td>V-675</td> <td>122</td> <td>1/2</td> <td>2900</td> <td>1\"/&gt;  <tr> <td>U-40</td> <td>"</td> <td>"</td> <td>V-675</td> <td>122</td> <td>1/2</td> <td>2900</td> <td>1\"/&gt;  <tr> <td>U-41</td> <td>"</td> <td>"</td> <td>V-675</td> <td>122</td> <td>1/2</td> <td>2900</td> <td>1\"/&gt;  <tr> <td>U-42</td> <td>"</td> <td>"</td> <td>V-675</td> <td>122</td> <td>1/2</td> <td>2900</td> <td>1\"/&gt;  <tr> <td>U-43</td> <td>"</td> <td>"</td> <td>V-675</td> <td>122</td> <td>1/2</td> <td>2900</td> <td>1\"/&gt;  <tr> <td>U-44</td> <td>"</td> <td>"</td> <td>V-675</td> <td>122</td> <td>1/2</td> <td>2900</td> <td>1\"/&gt;  <tr> <td>U-45</td> <td>"</td> <td>"</td> <td>V-675</td> <td>122</td> <td>1/2</td> <td>2900</td> <td>1\"/&gt;  <tr> <td>U-46</td> <td>"</td> <td>"</td> <td>V-675</td> <td>122</td> <td>1/2</td> <td>2900</td> <td>1\"/&gt;  <tr> <td>U-47</td> <td>"</td> <td>"</td> <td>V-675</td> <td>122</td> <td>1/2</td> <td>2900</td> <td>1\"/&gt;  <tr> <td>U-48</td> <td>"</td> <td>"</td> <td>V-675</td> <td>122</td> <td>1/2</td> <td>2900</td> <td>1\"/&gt;  <tr> <td>U-49</td> <td>"</td> <td>"</td> <td>V-675</td> <td>122</td> <td>1/2</td> <td>2900</td> <td>1\"/&gt;  <tr> <td>U-50</td> <td>"</td> <td>"</td> <td>V-675</td> <td>122</td> <td>1/2</td> <td>2900</td> <td>1\"/&gt;  </td></tr></td></tr></td></tr></td></tr></td></tr></td></tr></td></tr></td></tr></td></tr></td></tr></td></tr></td></tr></td></tr></td></tr></td></tr></td></tr></td></tr></td></tr></td></tr></td></tr></td></tr>   
  | U-30 | " | " | V-675  | 122  | 1/2 | 2900 | 1\"/> <tr> <td>U-31</td> <td>"</td> <td>"</td> <td>V-675</td> <td>122</td> <td>1/2</td> <td>2900</td> <td>1\"/&gt;  <tr> <td>U-32</td> <td>"</td> <td>"</td> <td>V-675</td> <td>122</td> <td>1/2</td> <td>2900</td> <td>1\"/&gt;  <tr> <td>U-33</td> <td>"</td> <td>"</td> <td>V-675</td> <td>122</td> <td>1/2</td> <td>2900</td> <td>1\"/&gt;  <tr> <td>U-34</td> <td>"</td> <td>"</td> <td>V-675</td> <td>122</td> <td>1/2</td> <td>2900</td> <td>1\"/&gt;  <tr> <td>U-35</td> <td>"</td> <td>"</td> <td>V-675</td> <td>122</td> <td>1/2</td> <td>2900</td> <td>1\"/&gt;  <tr> <td>U-36</td> <td>"</td> <td>"</td> <td>V-675</td> <td>122</td> <td>1/2</td> <td>2900</td> <td>1\"/&gt;  <tr> <td>U-37</td> <td>"</td> <td>"</td> <td>V-675</td> <td>122</td> <td>1/2</td> <td>2900</td> <td>1\"/&gt;  <tr> <td>U-38</td> <td>"</td> <td>"</td> <td>V-675</td> <td>122</td> <td>1/2</td> <td>2900</td> <td>1\"/&gt;  <tr> <td>U-39</td> <td>"</td> <td>"</td> <td>V-675</td> <td>122</td> <td>1/2</td> <td>2900</td> <td>1\"/&gt;  <tr> <td>U-40</td> <td>"</td> <td>"</td> <td>V-675</td> <td>122</td> <td>1/2</td> <td>2900</td> <td>1\"/&gt;  <tr> <td>U-41</td> <td>"</td> <td>"</td> <td>V-675</td> <td>122</td> <td>1/2</td> <td>2900</td> <td>1\"/&gt;  <tr> <td>U-42</td> <td>"</td> <td>"</td> <td>V-675</td> <td>122</td> <td>1/2</td> <td>2900</td> <td>1\"/&gt;  <tr> <td>U-43</td> <td>"</td> <td>"</td> <td>V-675</td> <td>122</td> <td>1/2</td> <td>2900</td> <td>1\"/&gt;  <tr> <td>U-44</td> <td>"</td> <td>"</td> <td>V-675</td> <td>122</td> <td>1/2</td> <td>2900</td> <td>1\"/&gt;  <tr> <td>U-45</td> <td>"</td> <td>"</td> <td>V-675</td> <td>122</td> <td>1/2</td> <td>2900</td> <td>1\"/&gt;  <tr> <td>U-46</td> <td>"</td> <td>"</td> <td>V-675</td> <td>122</td> <td>1/2</td> <td>2900</td> <td>1\"/&gt;  <tr> <td>U-47</td> <td>"</td> <td>"</td> <td>V-675</td> <td>122</td> <td>1/2</td> <td>2900</td> <td>1\"/&gt;  <tr> <td>U-48</td> <td>"</td> <td>"</td> <td>V-675</td> <td>122</td> <td>1/2</td> <td>2900</td> <td>1\"/&gt;  <tr> <td>U-49</td> <td>"</td> <td>"</td> <td>V-675</td> <td>122</td> <td>1/2</td> <td>2900</td> <td>1\"/&gt;  <tr> <td>U-50</td> <td>"</td> <td>"</td> <td>V-675</td> <td>122</td> <td>1/2</td> <td>2900</td> <td>1\"/&gt;  </td></tr></td></tr></td></tr></td></tr></td></tr></td></tr></td></tr></td></tr></td></tr></td></tr></td></tr></td></tr></td></tr></td></tr></td></tr></td></tr></td></tr></td></tr></td></tr></td></tr>   | U-31 | " | " | V-675  | 122 | 1/2 | 2900 | 1\"/> <tr> <td>U-32</td> <td>"</td> <td>"</td> <td>V-675</td> <td>122</td> <td>1/2</td> <td>2900</td> <td>1\"/&gt;  <tr> <td>U-33</td> <td>"</td> <td>"</td> <td>V-675</td> <td>122</td> <td>1/2</td> <td>2900</td> <td>1\"/&gt;  <tr> <td>U-34</td> <td>"</td> <td>"</td> <td>V-675</td> <td>122</td> <td>1/2</td> <td>2900</td> <td>1\"/&gt;  <tr> <td>U-35</td> <td>"</td> <td>"</td> <td>V-675</td> <td>122</td> <td>1/2</td> <td>2900</td> <td>1\"/&gt;  <tr> <td>U-36</td> <td>"</td> <td>"</td> <td>V-675</td> <td>122</td> <td>1/2</td> <td>2900</td> <td>1\"/&gt;  <tr> <td>U-37</td> <td>"</td> <td>"</td> <td>V-675</td> <td>122</td> <td>1/2</td> <td>2900</td> <td>1\"/&gt;  <tr> <td>U-38</td> <td>"</td> <td>"</td> <td>V-675</td> <td>122</td> <td>1/2</td> <td>2900</td> <td>1\"/&gt;  <tr> <td>U-39</td> <td>"</td> <td>"</td> <td>V-675</td> <td>122</td> <td>1/2</td> <td>2900</td> <td>1\"/&gt;  <tr> <td>U-40</td> <td>"</td> <td>"</td> <td>V-675</td> <td>122</td> <td>1/2</td> <td>2900</td> <td>1\"/&gt;  <tr> <td>U-41</td> <td>"</td> <td>"</td> <td>V-675</td> <td>122</td> <td>1/2</td> <td>2900</td> <td>1\"/&gt;  <tr> <td>U-42</td> <td>"</td> <td>"</td> <td>V-675</td> <td>122</td> <td>1/2</td> <td>2900</td> <td>1\"/&gt;  <tr> <td>U-43</td> <td>"</td> <td>"</td> <td>V-675</td> <td>122</td> <td>1/2</td> <td>2900</td> <td>1\"/&gt;  <tr> <td>U-44</td> <td>"</td> <td>"</td> <td>V-675</td> <td>122</td> <td>1/2</td> <td>2900</td> <td>1\"/&gt;  <tr> <td>U-45</td> <td>"</td> <td>"</td> <td>V-675</td> <td>122</td> <td>1/2</td> <td>2900</td> <td>1\"/&gt;  <tr> <td>U-46</td> <td>"</td> <td>"</td> <td>V-675</td> <td>122</td> <td>1/2</td> <td>2900</td> <td>1\"/&gt;  <tr> <td>U-47</td> <td>"</td> <td>"</td> <td>V-675</td> <td>122</td> <td>1/2</td> <td>2900</td> <td>1\"/&gt;  <tr> <td>U-48</td> <td>"</td> <td>"</td> <td>V-675</td> <td>122</td> <td>1/2</td> <td>2900</td> <td>1\"/&gt;  <tr> <td>U-49</td> <td>"</td> <td>"</td> <td>V-675</td> <td>122</td> <td>1/2</td> <td>2900</td> <td>1\"/&gt;  <tr> <td>U-50</td> <td>"</td> <td>"</td> <td>V-675</td> <td>122</td> <td>1/2</td> <td>2900</td> <td>1\"/&gt;  </td></tr></td></tr></td></tr></td></tr></td></tr></td></tr></td></tr></td></tr></td></tr></td></tr></td></tr></td></tr></td></tr></td></tr></td></tr></td></tr></td></tr></td></tr></td></tr>   
   | U-32 | " | " | V-675 | 122 | 1/2 | 2900 | 1\"/> <tr> <td>U-33</td> <td>"</td> <td>"</td> <td>V-675</td> <td>122</td> <td>1/2</td> <td>2900</td> <td>1\"/&gt;  <tr> <td>U-34</td> <td>"</td> <td>"</td> <td>V-675</td> <td>122</td> <td>1/2</td> <td>2900</td> <td>1\"/&gt;  <tr> <td>U-35</td> <td>"</td> <td>"</td> <td>V-675</td> <td>122</td> <td>1/2</td> <td>2900</td> <td>1\"/&gt;  <tr> <td>U-36</td> <td>"</td> <td>"</td> <td>V-675</td> <td>122</td> <td>1/2</td> <td>2900</td> <td>1\"/&gt;  <tr> <td>U-37</td> <td>"</td> <td>"</td> <td>V-675</td> <td>122</td> <td>1/2</td> <td>2900</td> <td>1\"/&gt;  <tr> <td>U-38</td> <td>"</td> <td>"</td> <td>V-675</td> <td>122</td> <td>1/2</td> <td>2900</td> <td>1\"/&gt;  <tr> <td>U-39</td> <td>"</td> <td>"</td> <td>V-675</td> <td>122</td> <td>1/2</td> <td>2900</td> <td>1\"/&gt;  <tr> <td>U-40</td> <td>"</td> <td>"</td> <td>V-675</td> <td>122</td> <td>1/2</td> <td>2900</td> <td>1\"/&gt;  <tr> <td>U-41</td> <td>"</td> <td>"</td> <td>V-675</td> <td>122</td> <td>1/2</td> <td>2900</td> <td>1\"/&gt;  <tr> <td>U-42</td> <td>"</td> <td>"</td> <td>V-675</td> <td>122</td> <td>1/2</td> <td>2900</td> <td>1\"/&gt;  <tr> <td>U-43</td> <td>"</td> <td>"</td> <td>V-675</td> <td>122</td> <td>1/2</td> <td>2900</td> <td>1\"/&gt;  <tr> <td>U-44</td> <td>"</td> <td>"</td> <td>V-675</td> <td>122</td> <td>1/2</td> <td>2900</td> <td>1\"/&gt;  <tr> <td>U-45</td> <td>"</td> <td>"</td> <td>V-675</td> <td>122</td> <td>1/2</td> <td>2900</td> <td>1\"/&gt;  <tr> <td>U-46</td> <td>"</td> <td>"</td> <td>V-675</td> <td>122</td> <td>1/2</td> <td>2900</td> <td>1\"/&gt;  <tr> <td>U-47</td> <td>"</td> <td>"</td> <td>V-675</td> <td>122</td> <td>1/2</td> <td>2900</td> <td>1\"/&gt;  <tr> <td>U-48</td> <td>"</td> <td>"</td> <td>V-675</td> <td>122</td> <td>1/2</td> <td>2900</td> <td>1\"/&gt;  <tr> <td>U-49</td> <td>"</td> <td>"</td> <td>V-675</td> <td>122</td> <td>1/2</td> <td>2900</td> <td>1\"/&gt;  <tr> <td>U-50</td> <td>"</td> <td>"</td> <td>V-675</td> <td>122</td> <td>1/2</td> <td>2900</td> <td>1\"/&gt;  </td></tr></td></tr></td></tr></td></tr></td></tr></td></tr></td></tr></td></tr></td></tr></td></tr></td></tr></td></tr></td></tr></td></tr></td></tr></td></tr></td></tr></td></tr>  | U-33 | " | " | V-675 | 122 | 1/2 | 2900 | 1\"/> <tr> <td>U-34</td> <td>"</td> <td>"</td> <td>V-675</td> <td>122</td> <td>1/2</td> <td>2900</td> <td>1\"/&gt;  <tr> <td>U-35</td> <td>"</td> <td>"</td> <td>V-675</td> <td>122</td> <td>1/2</td> <td>2900</td> <td>1\"/&gt;  <tr> <td>U-36</td> <td>"</td> <td>"</td> <td>V-675</td> <td>122</td> <td>1/2</td> <td>2900</td> <td>1\"/&gt;  <tr> <td>U-37</td> <td>"</td> <td>"</td> <td>V-675</td> <td>122</td> <td>1/2</td> <td>2900</td> <td>1\"/&gt;  <tr> <td>U-38</td> <td>"</td> <td>"</td> <td>V-675</td> <td>122</td> <td>1/2</td> <td>2900</td> <td>1\"/&gt;  <tr> <td>U-39</td> <td>"</td> <td>"</td> <td>V-675</td> <td>122</td> <td>1/2</td> <td>2900</td> <td>1\"/&gt;  <tr> <td>U-40</td> <td>"</td> <td>"</td> <td>V-675</td> <td>122</td> <td>1/2</td> <td>2900</td> <td>1\"/&gt;  <tr> <td>U-41</td> <td>"</td> <td>"</td> <td>V-675</td> <td>122</td> <td>1/2</td> <td>2900</td> <td>1\"/&gt;  <tr> <td>U-42</td> <td>"</td> <td>"</td> <td>V-675</td> <td>122</td> <td>1/2</td> <td>2900</td> <td>1\"/&gt;  <tr> <td>U-43</td> <td>"</td> <td>"</td> <td>V-675</td> <td>122</td> <td>1/2</td> <td>2900</td> <td>1\"/&gt;  <tr> <td>U-44</td> <td>"</td> <td>"</td> <td>V-675</td> <td>122</td> <td>1/2</td> <td>2900</td> <td>1\"/&gt;  <tr> <td>U-45</td> <td>"</td> <td>"</td> <td>V-675</td> <td>122</td> <td>1/2</td> <td>2900</td> <td>1\"/&gt;  <tr> <td>U-46</td> <td>"</td> <td>"</td> <td>V-675</td> <td>122</td> <td>1/2</td> <td>2900</td> <td>1\"/&gt;  <tr> <td>U-47</td> <td>"</td> <td>"</td> <td>V-675</td> <td>122</td> <td>1/2</td> <td>2900</td> <td>1\"/&gt;  <tr> <td>U-48</td> <td>"</td> <td>"</td> <td>V-675</td> <td>122</td> <td>1/2</td> <td>2900</td> <td>1\"/&gt;  <tr> <td>U-49</td> <td>"</td> <td>"</td> <td>V-675</td> <td>122</td> <td>1/2</td> <td>2900</td> <td>1\"/&gt;  <tr> <td>U-50</td> <td>"</td> <td>"</td> <td>V-675</td> <td>122</td> <td>1/2</td> <td>2900</td> <td>1\"/&gt;  </td></tr></td></tr></td></tr></td></tr></td></tr></td></tr></td></tr></td></tr></td></tr></td></tr></td></tr></td></tr></td></tr></td></tr></td></tr></td></tr></td></tr>  
  | U-34 | " | " | V-675 | 122 | 1/2 | 2900 | 1\"/> <tr> <td>U-35</td> <td>"</td> <td>"</td> <td>V-675</td> <td>122</td> <td>1/2</td> <td>2900</td> <td>1\"/&gt;  <tr> <td>U-36</td> <td>"</td> <td>"</td> <td>V-675</td> <td>122</td> <td>1/2</td> <td>2900</td> <td>1\"/&gt;  <tr> <td>U-37</td> <td>"</td> <td>"</td> <td>V-675</td> <td>122</td> <td>1/2</td> <td>2900</td> <td>1\"/&gt;  <tr> <td>U-38</td> <td>"</td> <td>"</td> <td>V-675</td> <td>122</td> <td>1/2</td> <td>2900</td> <td>1\"/&gt;  <tr> <td>U-39</td> <td>"</td> <td>"</td> <td>V-675</td> <td>122</td> <td>1/2</td> <td>2900</td> <td>1\"/&gt;  <tr> <td>U-40</td> <td>"</td> <td>"</td> <td>V-675</td> <td>122</td> <td>1/2</td> <td>2900</td> <td>1\"/&gt;  <tr> <td>U-41</td> <td>"</td> <td>"</td> <td>V-675</td> <td>122</td> <td>1/2</td> <td>2900</td> <td>1\"/&gt;  <tr> <td>U-42</td> <td>"</td> <td>"</td> <td>V-675</td> <td>122</td> <td>1/2</td> <td>2900</td> <td>1\"/&gt;  <tr> <td>U-43</td> <td>"</td> <td>"</td> <td>V-675</td> <td>122</td> <td>1/2</td> <td>2900</td> <td>1\"/&gt;  <tr> <td>U-44</td> <td>"</td> <td>"</td> <td>V-675</td> <td>122</td> <td>1/2</td> <td>2900</td> <td>1\"/&gt;  <tr> <td>U-45</td> <td>"</td> <td>"</td> <td>V-675</td> <td>122</td> <td>1/2</td> <td>2900</td> <td>1\"/&gt;  <tr> <td>U-46</td> <td>"</td> <td>"</td> <td>V-675</td> <td>122</td> <td>1/2</td> <td>2900</td> <td>1\"/&gt;  <tr> <td>U-47</td> <td>"</td> <td>"</td> <td>V-675</td> <td>122</td> <td>1/2</td> <td>2900</td> <td>1\"/&gt;  <tr> <td>U-48</td> <td>"</td> <td>"</td> <td>V-675</td> <td>122</td> <td>1/2</td> <td>2900</td> <td>1\"/&gt;  <tr> <td>U-49</td> <td>"</td> <td>"</td> <td>V-675</td> <td>122</td> <td>1/2</td> <td>2900</td> <td>1\"/&gt;  <tr> <td>U-50</td> <td>"</td> <td>"</td> <td>V-675</td> <td>122</td> <td>1/2</td> <td>2900</td> <td>1\"/&gt;  </td></tr></td></tr></td></tr></td></tr></td></tr></td></tr></td></tr></td></tr></td></tr></td></tr></td></tr></td></tr></td></tr></td></tr></td></tr></td></tr>  | U-35 | " | " | V-675 | 122 | 1/2 | 2900 | 1\"/> <tr> <td>U-36</td> <td>"</td> <td>"</td> <td>V-675</td> <td>122</td> <td>1/2</td> <td>2900</td> <td>1\"/&gt;  <tr> <td>U-37</td> <td>"</td> <td>"</td> <td>V-675</td> <td>122</td> <td>1/2</td> <td>2900</td> <td>1\"/&gt;  <tr> <td>U-38</td> <td>"</td> <td>"</td> <td>V-675</td> <td>122</td> <td>1/2</td> <td>2900</td> <td>1\"/&gt;  <tr> <td>U-39</td> <td>"</td> <td>"</td> <td>V-675</td> <td>122</td> <td>1/2</td> <td>2900</td> <td>1\"/&gt;  <tr> <td>U-40</td> <td>"</td> <td>"</td> <td>V-675</td> <td>122</td> <td>1/2</td> <td>2900</td> <td>1\"/&gt;  <tr> <td>U-41</td> <td>"</td> <td>"</td> <td>V-675</td> <td>122</td> <td>1/2</td> <td>2900</td> <td>1\"/&gt;  <tr> <td>U-42</td> <td>"</td> <td>"</td> <td>V-675</td> <td>122</td> <td>1/2</td> <td>2900</td> <td>1\"/&gt;  <tr> <td>U-43</td> <td>"</td> <td>"</td> <td>V-675</td> <td>122</td> <td>1/2</td> <td>2900</td> <td>1\"/&gt;  <tr> <td>U-44</td> <td>"</td> <td>"</td> <td>V-675</td> <td>122</td> <td>1/2</td> <td>2900</td> <td>1\"/&gt;  <tr> <td>U-45</td> <td>"</td> <td>"</td> <td>V-675</td> <td>122</td> <td>1/2</td> <td>2900</td> <td>1\"/&gt;  <tr> <td>U-46</td> <td>"</td> <td>"</td> <td>V-675</td> <td>122</td> <td>1/2</td> <td>2900</td> <td>1\"/&gt;  <tr> <td>U-47</td> <td>"</td> <td>"</td> <td>V-675</td> <td>122</td> <td>1/2</td> <td>2900</td> <td>1\"/&gt;  <tr> <td>U-48</td> <td>"</td> <td>"</td> <td>V-675</td> <td>122</td> <td>1/2</td> <td>2900</td> <td>1\"/&gt;  <tr> <td>U-49</td> <td>"</td> <td>"</td> <td>V-675</td> <td>122</td> <td>1/2</td> <td>2900</td> <td>1\"/&gt;  <tr> <td>U-50</td> <td>"</td> <td>"</td> <td>V-675</td> <td>122</td> <td>1/2</td> <td>2900</td> <td>1\"/&gt; 
</td></tr></td></tr></td></tr></td></tr></td></tr></td></tr></td></tr></td></tr></td></tr></td></tr></td></tr></td></tr></td></tr></td></tr></td></tr>   | U-36 | " | " | V-675 | 122 | 1/2 | 2900 | 1\"/> <tr> <td>U-37</td> <td>"</td> <td>"</td> <td>V-675</td> <td>122</td> <td>1/2</td> <td>2900</td> <td>1\"/&gt;  <tr> <td>U-38</td> <td>"</td> <td>"</td> <td>V-675</td> <td>122</td> <td>1/2</td> <td>2900</td> <td>1\"/&gt;  <tr> <td>U-39</td> <td>"</td> <td>"</td> <td>V-675</td> <td>122</td> <td>1/2</td> <td>2900</td> <td>1\"/&gt;  <tr> <td>U-40</td> <td>"</td> <td>"</td> <td>V-675</td> <td>122</td> <td>1/2</td> <td>2900</td> <td>1\"/&gt;  <tr> <td>U-41</td> <td>"</td> <td>"</td> <td>V-675</td> <td>122</td> <td>1/2</td> <td>2900</td> <td>1\"/&gt;  <tr> <td>U-42</td> <td>"</td> <td>"</td> <td>V-675</td> <td>122</td> <td>1/2</td> <td>2900</td> <td>1\"/&gt;  <tr> <td>U-43</td> <td>"</td> <td>"</td> <td>V-675</td> <td>122</td> <td>1/2</td> <td>2900</td> <td>1\"/&gt;  <tr> <td>U-44</td> <td>"</td> <td>"</td> <td>V-675</td> <td>122</td> <td>1/2</td> <td>2900</td> <td>1\"/&gt;  <tr> <td>U-45</td> <td>"</td> <td>"</td> <td>V-675</td> <td>122</td> <td>1/2</td> <td>2900</td> <td>1\"/&gt;  <tr> <td>U-46</td> <td>"</td> <td>"</td> <td>V-675</td> <td>122</td> <td>1/2</td> <td>2900</td> <td>1\"/&gt;  <tr> <td>U-47</td> <td>"</td> <td>"</td> <td>V-675</td> <td>122</td> <td>1/2</td> <td>2900</td> <td>1\"/&gt;  <tr> <td>U-48</td> <td>"</td> <td>"</td> <td>V-675</td> <td>122</td> <td>1/2</td> <td>2900</td> <td>1\"/&gt;  <tr> <td>U-49</td> <td>"</td> <td>"</td> <td>V-675</td> <td>122</td> <td>1/2</td> <td>2900</td> <td>1\"/&gt;  <tr> <td>U-50</td> <td>"</td> <td>"</td> <td>V-675</td> <td>122</td> <td>1/2</td> <td>2900</td> <td>1\"/&gt;  </td></tr></td></tr></td></tr></td></tr></td></tr></td></tr></td></tr></td></tr></td></tr></td></tr></td></tr></td></tr></td></tr></td></tr>  | U-37 | " | " | V-675 | 122 | 1/2 | 2900 | 1\"/> <tr> <td>U-38</td> <td>"</td> <td>"</td> <td>V-675</td> <td>122</td> <td>1/2</td> <td>2900</td> <td>1\"/&gt;  <tr> <td>U-39</td> <td>"</td> <td>"</td> <td>V-675</td> <td>122</td> <td>1/2</td> <td>2900</td> <td>1\"/&gt;  <tr> <td>U-40</td> <td>"</td> <td>"</td> <td>V-675</td> <td>122</td> <td>1/2</td> <td>2900</td> <td>1\"/&gt;  <tr> <td>U-41</td> <td>"</td> <td>"</td> <td>V-675</td> <td>122</td> <td>1/2</td> <td>2900</td> <td>1\"/&gt;  <tr> <td>U-42</td> <td>"</td> <td>"</td> <td>V-675</td> <td>122</td> <td>1/2</td> <td>2900</td> <td>1\"/&gt;  <tr> <td>U-43</td> <td>"</td> <td>"</td> <td>V-675</td> <td>122</td> <td>1/2</td> <td>2900</td> <td>1\"/&gt;  <tr> <td>U-44</td> <td>"</td> <td>"</td> <td>V-675</td> <td>122</td> <td>1/2</td> <td>2900</td> <td>1\"/&gt;  <tr> <td>U-45</td> <td>"</td> <td>"</td> <td>V-675</td> <td>122</td> <td>1/2</td> <td>2900</td> <td>1\"/&gt;  <tr> <td>U-46</td> <td>"</td> <td>"</td> <td>V-675</td> <td>122</td> <td>1/2</td> <td>2900</td> <td>1\"/&gt;  <tr> <td>U-47</td> <td>"</td> <td>"</td> <td>V-675</td> <td>122</td> <td>1/2</td> <td>2900</td> <td>1\"/&gt;  <tr> <td>U-48</td> <td>"</td> <td>"</td> <td>V-675</td> <td>122</td> <td>1/2</td> <td>2900</td> <td>1\"/&gt;  <tr> <td>U-49</td> <td>"</td> <td>"</td> <td>V-675</td> <td>122</td> <td>1/2</td> <td>2900</td> <td>1\"/&gt;  <tr> <td>U-50</td> <td>"</td>
<td>"</td> <td>V-675</td> <td>122</td> <td>1/2</td> <td>2900</td> <td>1\"/&gt;  </td></tr></td></tr></td></tr></td></tr></td></tr></td></tr></td></tr></td></tr></td></tr></td></tr></td></tr></td></tr></td></tr>   | U-38 | " | " | V-675 | 122 | 1/2 | 2900 | 1\"/> <tr> <td>U-39</td> <td>"</td> <td>"</td> <td>V-675</td> <td>122</td> <td>1/2</td> <td>2900</td> <td>1\"/&gt;  <tr> <td>U-40</td> <td>"</td> <td>"</td> <td>V-675</td> <td>122</td> <td>1/2</td> <td>2900</td> <td>1\"/&gt;  <tr> <td>U-41</td> <td>"</td> <td>"</td> <td>V-675</td> <td>122</td> <td>1/2</td> <td>2900</td> <td>1\"/&gt;  <tr> <td>U-42</td> <td>"</td> <td>"</td> <td>V-675</td> <td>122</td> <td>1/2</td> <td>2900</td> <td>1\"/&gt;  <tr> <td>U-43</td> <td>"</td> <td>"</td> <td>V-675</td> <td>122</td> <td>1/2</td> <td>2900</td> <td>1\"/&gt;  <tr> <td>U-44</td> <td>"</td> <td>"</td> <td>V-675</td> <td>122</td> <td>1/2</td> <td>2900</td> <td>1\"/&gt;  <tr> <td>U-45</td> <td>"</td> <td>"</td> <td>V-675</td> <td>122</td> <td>1/2</td> <td>2900</td> <td>1\"/&gt;  <tr> <td>U-46</td> <td>"</td> <td>"</td> <td>V-675</td> <td>122</td> <td>1/2</td> <td>2900</td> <td>1\"/&gt;  <tr> <td>U-47</td> <td>"</td> <td>"</td> <td>V-675</td> <td>122</td> <td>1/2</td> <td>2900</td> <td>1\"/&gt;  <tr> <td>U-48</td> <td>"</td> <td>"</td> <td>V-675</td> <td>122</td> <td>1/2</td> <td>2900</td> <td>1\"/&gt;  <tr> <td>U-49</td> <td>"</td> <td>"</td> <td>V-675</td> <td>122</td> <td>1/2</td> <td>2900</td> <td>1\"/&gt;  <tr> <td>U-50</td> <td>"</td> <td>"</td> <td>V-675</td> <td>122</td> <td>1/2</td> <td>2900</td> <td>1\"/&gt;  </td></tr></td></tr></td></tr></td></tr></td></tr></td></tr></td></tr></td></tr></td></tr></td></tr></td></tr></td></tr>   | U-39 | " | " | V-675 | 122 | 1/2 | 2900 | 1\"/> <tr> <td>U-40</td> <td>"</td> <td>"</td> <td>V-675</td> <td>122</td> <td>1/2</td> <td>2900</td> <td>1\"/&gt;  <tr> <td>U-41</td> <td>"</td> <td>"</td> <td>V-675</td> <td>122</td> <td>1/2</td> <td>2900</td> <td>1\"/&gt;  <tr> <td>U-42</td> <td>"</td> <td>"</td> <td>V-675</td> <td>122</td> <td>1/2</td> <td>2900</td> <td>1\"/&gt;  <tr> <td>U-43</td> <td>"</td> <td>"</td> <td>V-675</td> <td>122</td> <td>1/2</td> <td>2900</td> <td>1\"/&gt;  <tr> <td>U-44</td> <td>"</td> <td>"</td> <td>V-675</td> <td>122</td> <td>1/2</td> <td>2900</td> <td>1\"/&gt;  <tr> <td>U-45</td> <td>"</td> <td>"</td> <td>V-675</td> <td>122</td> <td>1/2</td> <td>2900</td> <td>1\"/&gt;  <tr> <td>U-46</td> <td>"</td> <td>"</td> <td>V-675</td> <td>122</td> <td>1/2</td> <td>2900</td> <td>1\"/&gt;  <tr> <td>U-47</td> <td>"</td> <td>"</td> <td>V-675</td> <td>122</td> <td>1/2</td> <td>2900</td> <td>1\"/&gt;  <tr> <td>U-48</td> <td>"</td> <td>"</td> <td>V-675</td> <td>122</td> <td>1/2</td> <td>2900</td> <td>1\"/&gt;  <tr> <td>U-49</td> <td>"</td> <td>"</td> <td>V-675</td> <td>122</td> <td>1/2</td> <td>2900</td> <td>1\"/&gt;  <tr> <td>U-50</td> <td>"</td> <td>"</td> <td>V-675</td> <td>122</td> <td>1/2</td> <td>2900</td> <td>1\"/&gt;  </td></tr></td></tr></td></tr></td></tr></td></tr></td></tr></td></tr></td></tr></td></tr></td></tr></td></tr>   
   | U-40 | " | " | V-675 | 122 | 1/2 | 2900 | 1\"/> <tr> <td>U-41</td> <td>"</td> <td>"</td> <td>V-675</td> <td>122</td> <td>1/2</td> <td>2900</td> <td>1\"/&gt;  <tr> <td>U-42</td> <td>"</td> <td>"</td> <td>V-675</td> <td>122</td> <td>1/2</td> <td>2900</td> <td>1\"/&gt;  <tr> <td>U-43</td> <td>"</td> <td>"</td> <td>V-675</td> <td>122</td> <td>1/2</td> <td>2900</td> <td>1\"/&gt;  <tr> <td>U-44</td> <td>"</td> <td>"</td> <td>V-675</td> <td>122</td> <td>1/2</td> <td>2900</td> <td>1\"/&gt;  <tr> <td>U-45</td> <td>"</td> <td>"</td> <td>V-675</td> <td>122</td> <td>1/2</td> <td>2900</td> <td>1\"/&gt;  <tr> <td>U-46</td> <td>"</td> <td>"</td> <td>V-675</td> <td>122</td> <td>1/2</td> <td>2900</td> <td>1\"/&gt;  <tr> <td>U-47</td> <td>"</td> <td>"</td> <td>V-675</td> <td>122</td> <td>1/2</td> <td>2900</td> <td>1\"/&gt;  <tr> <td>U-48</td> <td>"</td> <td>"</td> <td>V-675</td> <td>122</td> <td>1/2</td> <td>2900</td> <td>1\"/&gt;  <tr> <td>U-49</td> <td>"</td> <td>"</td> <td>V-675</td> <td>122</td> <td>1/2</td> <td>2900</td> <td>1\"/&gt;  <tr> <td>U-50</td> <td>"</td> <td>"</td> <td>V-675</td> <td>122</td> <td>1/2</td> <td>2900</td> <td>1\"/&gt;  </td></tr></td></tr></td></tr></td></tr></td></tr></td></tr></td></tr></td></tr></td></tr></td></tr>   | U-41 | " | " | V-675 | 122 | 1/2 | 2900 | 1\"/> <tr> <td>U-42</td> <td>"</td> <td>"</td> <td>V-675</td> <td>122</td> <td>1/2</td> <td>2900</td> <td>1\"/&gt;  <tr> <td>U-43</td> <td>"</td> <td>"</td> <td>V-675</td> <td>122</td> <td>1/2</td> <td>2900</td> <td>1\"/&gt;  <tr> <td>U-44</td> <td>"</td> <td>"</td> <td>V-675</td> <td>122</td> <td>1/2</td> <td>2900</td> <td>1\"/&gt;  <tr> <td>U-45</td> <td>"</td> <td>"</td> <td>V-675</td> <td>122</td> <td>1/2</td> <td>2900</td> <td>1\"/&gt;  <tr> <td>U-46</td> <td>"</td> <td>"</td> <td>V-675</td> <td>122</td> <td>1/2</td> <td>2900</td> <td>1\"/&gt;  <tr> <td>U-47</td> <td>"</td> <td>"</td> <td>V-675</td> <td>122</td> <td>1/2</td> <td>2900</td> <td>1\"/&gt;  <tr> <td>U-48</td> <td>"</td> <td>"</td> <td>V-675</td> <td>122</td> <td>1/2</td> <td>2900</td> <td>1\"/&gt;  <tr> <td>U-49</td> <td>"</td> <td>"</td> <td>V-675</td> <td>122</td> <td>1/2</td> <td>2900</td> <td>1\"/&gt;  <tr> <td>U-50</td> <td>"</td> <td>"</td> <td>V-675</td> <td>122</td> <td>1/2</td> <td>2900</td> <td>1\"/&gt;  </td></tr></td></tr></td></tr></td></tr></td></tr></td></tr></td></tr></td></tr></td></tr>   
   | U-42 | " | " | V-675 | 122 | 1/2 | 2900 | 1\"/> <tr> <td>U-43</td> <td>"</td> <td>"</td> <td>V-675</td> <td>122</td> <td>1/2</td> <td>2900</td> <td>1\"/&gt;  <tr> <td>U-44</td> <td>"</td> <td>"</td> <td>V-675</td> <td>122</td> <td>1/2</td> <td>2900</td> <td>1\"/&gt;  <tr> <td>U-45</td> <td>"</td> <td>"</td> <td>V-675</td> <td>122</td> <td>1/2</td> <td>2900</td> <td>1\"/&gt;  <tr> <td>U-46</td> <td>"</td> <td>"</td> <td>V-675</td> <td>122</td> <td>1/2</td> <td>2900</td> <td>1\"/&gt;  <tr> <td>U-47</td> <td>"</td> <td>"</td> <td>V-675</td> <td>122</td> <td>1/2</td> <td>2900</td> <td>1\"/&gt;  <tr> <td>U-48</td> <td>"</td> <td>"</td> <td>V-675</td> <td>122</td> <td>1/2</td> <td>2900</td> <td>1\"/&gt;  <tr> <td>U-49</td> <td>"</td> <td>"</td> <td>V-675</td> <td>122</td> <td>1/2</td> <td>2900</td> <td>1\"/&gt;  <tr> <td>U-50</td> <td>"</td> <td>"</td> <td>V-675</td> <td>122</td> <td>1/2</td> <td>2900</td> <td>1\"/&gt;  </td></tr></td></tr></td></tr></td></tr></td></tr></td></tr></td></tr></td></tr>   | U-43 | " | " | V-675 | 122 | 1/2 | 2900 | 1\"/> <tr> <td>U-44</td> <td>"</td> <td>"</td> <td>V-675</td> <td>122</td> <td>1/2</td> <td>2900</td> <td>1\"/&gt;  <tr> <td>U-45</td> <td>"</td> <td>"</td> <td>V-675</td> <td>122</td> <td>1/2</td> <td>2900</td> <td>1\"/&gt;  <tr> <td>U-46</td> <td>"</td> <td>"</td> <td>V-675</td> <td>122</td> <td>1/2</td> <td>2900</td> <td>1\"/&gt;  <tr> <td>U-47</td> <td>"</td> <td>"</td> <td>V-675</td> <td>122</td> <td>1/2</td> <td>2900</td> <td>1\"/&gt;  <tr> <td>U-48</td> <td>"</td> <td>"</td> <td>V-675</td> <td>122</td> <td>1/2</td> <td>2900</td> <td>1\"/&gt;  <tr> <td>U-49</td> <td>"</td> <td>"</td> <td>V-675</td> <td>122</td> <td>1/2</td> <td>2900</td> <td>1\"/&gt;  <tr> <td>U-50</td> <td>"</td> <td>"</td> <td>V-675</td> <td>122</td> <td>1/2</td> <td>2900</td> <td>1\"/&gt;  </td></tr></td></tr></td></tr></td></tr></td></tr></td></tr></td></tr>   
   | U-44 | " | " | V-675 | 122 | 1/2 | 2900 | 1\"/> <tr> <td>U-45</td> <td>"</td> <td>"</td> <td>V-675</td> <td>122</td> <td>1/2</td> <td>2900</td> <td>1\"/&gt;  <tr> <td>U-46</td> <td>"</td> <td>"</td> <td>V-675</td> <td>122</td> <td>1/2</td> <td>2900</td> <td>1\"/&gt;  <tr> <td>U-47</td> <td>"</td> <td>"</td> <td>V-675</td> <td>122</td> <td>1/2</td> <td>2900</td> <td>1\"/&gt;  <tr> <td>U-48</td> <td>"</td> <td>"</td> <td>V-675</td> <td>122</td> <td>1/2</td> <td>2900</td> <td>1\"/&gt;  <tr> <td>U-49</td> <td>"</td> <td>"</td> <td>V-675</td> <td>122</td> <td>1/2</td> <td>2900</td> <td>1\"/&gt;  <tr> <td>U-50</td> <td>"</td> <td>"</td> <td>V-675</td> <td>122</td> <td>1/2</td> <td>2900</td> <td>1\"/&gt;  </td></tr></td></tr></td></tr></td></tr></td></tr></td></tr>   | U-45 | " | " | V-675 | 122 | 1/2 | 2900 | 1\"/> <tr> <td>U-46</td> <td>"</td> <td>"</td> <td>V-675</td> <td>122</td> <td>1/2</td> <td>2900</td> <td>1\"/&gt;  <tr> <td>U-47</td> <td>"</td> <td>"</td> <td>V-675</td> <td>122</td> <td>1/2</td> <td>2900</td> <td>1\"/&gt;  <tr> <td>U-48</td> <td>"</td> <td>"</td> <td>V-675</td> <td>122</td> <td>1/2</td> <td>2900</td> <td>1\"/&gt;  <tr> <td>U-49</td> <td>"</td> <td>"</td> <td>V-675</td> <td>122</td> <td>1/2</td> <td>2900</td> <td>1\"/&gt;  <tr> <td>U-50</td> <td>"</td> <td>"</td> <td>V-675</td> <td>122</td> <td>1/2</td> <td>2900</td> <td>1\"/&gt;  </td></tr></td></tr></td></tr></td></tr></td></tr>   | U-46 | " | " | V-675 | 122 | 1/2 | 2900 | 1\"/> <tr> <td>U-47</td> <td>"</td> <td>"</td> <td>V-675</td> <td>122</td> <td>1/2</td> <td>2900</td> <td>1\"/&gt;  <tr> <td>U-48</td> <td>"</td> <td>"</td> <td>V-675</td> <td>122</td> <td>1/2</td> <td>2900</td> <td>1\"/&gt;  <tr> <td>U-49</td> <td>"</td> <td>"</td> <td>V-675</td> <td>122</td> <td>1/2</td> <td>2900</td> <td>1\"/&gt;  <tr> <td>U-50</td> <td>"</td> <td>"</td> <td>V-675</td> <td>122</td> <td>1/2</td> <td>2900</td> <td>1\"/&gt;  </td></tr></td></tr></td></tr></td></tr>  
  | U-47 | " | " | V-675 | 122 | 1/2 | 2900 | 1\"/> <tr> <td>U-48</td> <td>"</td> <td>"</td> <td>V-675</td> <td>122</td> <td>1/2</td> <td>2900</td> <td>1\"/&gt;  <tr> <td>U-49</td> <td>"</td> <td>"</td> <td>V-675</td> <td>122</td> <td>1/2</td> <td>2900</td> <td>1\"/&gt;  <tr> <td>U-50</td> <td>"</td> <td>"</td> <td>V-675</td> <td>122</td> <td>1/2</td> <td>2900</td> <td>1\"/&gt;  </td></tr></td></tr></td></tr>   | U-48 | " | " | V-675 | 122 | 1/2 | 2900 | 1\"/> <tr> <td>U-49</td> <td>"</td> <td>"</td> <td>V-675</td> <td>122</td> <td>1/2</td> <td>2900</td> <td>1\"/&gt;  <tr> <td>U-50</td> <td>"</td> <td>"</td> <td>V-675</td> <td>122</td> <td>1/2</td> <td>2900</td> <td>1\"/&gt;  </td></tr></td></tr>  
  | U-49 | " | " | V-675 | 122 | 1/2 | 2900 | 1\"/> <tr> <td>U-50</td> <td>"</td> <td>"</td> <td>V-675</td> <td>122</td> <td>1/2</td> <td>2900</td> <td>1\"/&gt;  </td></tr>   | U-50 | " | " | V-675 | 122 | 1/2 | 2900 | 1\"/>  |      |   |   |       |     |     |      | | | | | | | | | | | | | | | | | | | | | | | | | | | | | | | | | | | | | | | | | |
   |      |   |   |       |     |     |      |  |      |   |   |       |     |     |      |  |      |   |   |       |     |     |      |  |      |   |   |       |     |     |      |  
   |      |   |   |       |     |     |      |  |      |   |   |       |     |     |      |  |      |   |   |       |     |     |      |   
  |      |   |   |       |     |     |      |  |      |   |   |       |     |     |      |  |      |   |   |       |     |     |      |  |      |   |   |       |     |     |      |  |      |   |   |       |     |     |      |  
   |      |   |   |       |     |     |      |  |      |   |   |       |     |     |      |  |      |   |   |       |     |     |      |  |      |   |   |       |     |     |      |  |      |   |   |       |     |     |      |  |      |   |   |       |     |     |      |  |      |   |   |       |     |     |      |   
  |      |   |   |       |     |     |      |  |      |   |   |       |     |     |      |  |      |   |   |       |     |     |      |  |      |   |   |       |     |     |      |  |      |   |   |       |     |     |      |  |      |   |   |       |     |     |      |  |      |   |   |       |     |     |      |  |      |   |   |       |     |     |      |       |
| U-24 | "             | "                       | V-675    | 122  | 1/2           | 2900    | 1\"/> <tr> <td>U-25</td> <td>"</td> <td>"</td> <td>V-675</td> <td>122</td> <td>1/2</td> <td>2900</td> <td>1\"/&gt;  <tr> <td>U-26</td> <td>"</td> <td>"</td> <td>V-675</td> <td>122</td> <td>1/2</td> <td>2900</td> <td>1\"/&gt;  <tr> <td>U-27</td> <td>"</td> <td>"</td> <td>V-675</td> <td>122</td> <td>1/2</td> <td>2900</td> <td>1\"/&gt;  <tr> <td>U-28</td> <td>"</td> <td>"</td> <td>V-675</td> <td>122</td> <td>1/2</td> <td>2900</td> <td>1\"/&gt;  <tr> <td>U-29</td> <td>"</td> <td>"</td> <td>V-675</td> <td>122</td> <td>1/2</td> <td>2900</td> <td>1\"/&gt;  <tr> <td>U-30</td> <td>"</td> <td>"</td> <td>V-675</td> <td>122</td> <td>1/2</td> <td>2900</td> <td>1\"/&gt;  <tr> <td>U-31</td> <td>"</td> <td>"</td> <td>V-675</td> <td>122</td> <td>1/2</td> <td>2900</td> <td>1\"/&gt;  <tr> <td>U-32</td> <td>"</td> <td>"</td> <td>V-675</td> <td>122</td> <td>1/2</td> <td>2900</td> <td>1\"/&gt;  <tr> <td>U-33</td> <td>"</td> <td>"</td> <td>V-675</td> <td>122</td> <td>1/2</td> <td>2900</td> <td>1\"/&gt;  <tr> <td>U-34</td> <td>"</td> <td>"</td> <td>V-675</td> <td>122</td> <td>1/2</td> <td>2900</td> <td>1\"/&gt;  <tr> <td>U-35</td> <td>"</td> <td>"</td> <td>V-675</td> <td>122</td> <td>1/2</td> <td>2900</td> <td>1\"/&gt;  <tr> <td>U-36</td> <td>"</td> <td>"</td> <td>V-675</td> <td>122</td> <td>1/2</td> <td>2900</td> <td>1\"/&gt;  <tr> <td>U-37</td> <td>"</td> <td>"</td> <td>V-675</td> <td>122</td> <td>1/2</td> <td>2900</td> <td>1\"/&gt;  <tr> <td>U-38</td> <td>"</td> <td>"</td> <td>V-675</td> <td>122</td> <td>1/2</td> <td>2900</td> <td>1\"/&gt;  <tr> <td>U-39</td> <td>"</td> <td>"</td> <td>V-675</td> <td>122</td> <td>1/2</td> <td>2900</td> <td>1\"/&gt;  <tr> <td>U-40</td> <td>"</td> <td>"</td> <td>V-675</td> <td>122</td> <td>1/2</td> <td>2900</td> <td>1\"/&gt;  <tr> <td>U-41</td> <td>"</td> <td>"</td> <td>V-675</td> <td>122</td> <td>1/2</td> <td>2900</td> <td>1\"/&gt;  <tr> <td>U-42</td> <td>"</td> <td>"</td> <td>V-675</td> <td>122</td> <td>1/2</td> <td>2900</td> <td>1\"/&gt;  <tr> <td>U-43</td> <td>"</td> <td>"</td> <td>V-675</td> <td>122</td> <td>1/2</td> <td>2900</td> <td>1\"/&gt;  <tr> <td>U-44</td> <td>"</td> <td>"</td> <td>V-675</td> <td>122</td> <td>1/2</td> <td>2900</td> <td>1\"/&gt;  <tr> <td>U-45</td> <td>"</td> <td>"</td> <td>V-675</td> <td>122</td> <td>1/2</td> <td>2900</td> <td>1\"/&gt;  <tr> <td>U-46</td> <td>"</td> <td>"</td> <td>V-675</td> <td>122</td> <td>1/2</td> <td>2900</td> <td>1\"/&gt;  <tr> <td>U-47</td> <td>"</td> <td>"</td> <td>V-675</td> <td>122</td> <td>1/2</td> <td>2900</td> <td>1\"/&gt;  <tr> <td>U-48</td> <td>"</td> <td>"</td> <td>V-675</td> <td>122</td> <td>1/2</td> <td>2900</td> <td>1\"/&gt;  <tr> <td>U-49</td> <td>"</td> <td>"</td> <td>V-675</td> <td>122</td> <td>1/2</td> <td>2900</td> <td>1\"/&gt;  <tr> <td>U-50</td> <td>"</td> <td>"</td> <td>V-675</td> <td>122</td> <td>1/2</td> <td>2900</td> <td>1\"/&gt;  </td></tr></td></tr></td></tr></td></tr></td></tr></td></tr></td></tr></td></tr></td></tr></td></tr></td></tr></td></tr></td></tr></td></tr></td></tr></td></tr></td></tr></td></tr></td></tr></td></tr></td></tr></td></tr></td></tr></td></tr></td></tr></td></tr>  | U-25 | " | " | V-675  | 122  | 1/2 | 2900   | 1\"/> <tr> <td>U-26</td> <td>"</td> <td>"</td> <td>V-675</td> <td>122</td> <td>1/2</td> <td>2900</td> <td>1\"/&gt;  <tr> <td>U-27</td> <td>"</td> <td>"</td> <td>V-675</td> <td>122</td> <td>1/2</td> <td>2900</td> <td>1\"/&gt;  <tr> <td>U-28</td> <td>"</td> <td>"</td> <td>V-675</td> <td>122</td> <td>1/2</td> <td>2900</td> <td>1\"/&gt;  <tr> <td>U-29</td> <td>"</td> <td>"</td> <td>V-675</td> <td>122</td> <td>1/2</td> <td>2900</td> <td>1\"/&gt;  <tr> <td>U-30</td> <td>"</td> <td>"</td> <td>V-675</td> <td>122</td> <td>1/2</td> <td>2900</td> <td>1\"/&gt;  <tr> <td>U-31</td> <td>"</td> <td>"</td> <td>V-675</td> <td>122</td> <td>1/2</td> <td>2900</td> <td>1\"/&gt;  <tr> <td>U-32</td> <td>"</td> <td>"</td> <td>V-675</td> <td>122</td> <td>1/2</td> <td>2900</td> <td>1\"/&gt;  <tr> <td>U-33</td> <td>"</td> <td>"</td> <td>V-675</td> <td>122</td> <td>1/2</td> <td>2900</td> <td>1\"/&gt;  <tr> <td>U-34</td> <td>"</td> <td>"</td> <td>V-675</td> <td>122</td> <td>1/2</td> <td>2900</td> <td>1\"/&gt;  <tr> <td>U-35</td> <td>"</td> <td>"</td> <td>V-675</td> <td>122</td> <td>1/2</td> <td>2900</td> <td>1\"/&gt;  <tr> <td>U-36</td> <td>"</td> <td>"</td> <td>V-675</td> <td>122</td> <td>1/2</td> <td>2900</td> <td>1\"/&gt;  <tr> <td>U-37</td> <td>"</td> <td>"</td> <td>V-675</td> <td>122</td> <td>1/2</td> <td>2900</td> <td>1\"/&gt;  <tr> <td>U-38</td> <td>"</td> <td>"</td> <td>V-675</td> <td>122</td> <td>1/2</td> <td>2900</td> <td>1\"/&gt;  <tr> <td>U-39</td> <td>"</td> <td>"</td> <td>V-675</td> <td>122</td> <td>1/2</td> <td>2900</td> <td>1\"/&gt;  <tr> <td>U-40</td> <td>"</td> <td>"</td> <td>V-675</td> <td>122</td> <td>1/2</td> <td>2900</td> <td>1\"/&gt;  <tr> <td>U-41</td> <td>"</td> <td>"</td> <td>V-675</td> <td>122</td> <td>1/2</td> <td>2900</td> <td>1\"/&gt;  <tr> <td>U-42</td> <td>"</td> <td>"</td> <td>V-675</td> <td>122</td> <td>1/2</td> <td>2900</td> <td>1\"/&gt;  <tr> <td>U-43</td> <td>"</td> <td>"</td> <td>V-675</td> <td>122</td> <td>1/2</td> <td>2900</td> <td>1\"/&gt;  <tr> <td>U-44</td> <td>"</td> <td>"</td> <td>V-675</td> <td>122</td> <td>1/2</td> <td>2900</td> <td>1\"/&gt;  <tr> <td>U-45</td> <td>"</td> <td>"</td> <td>V-675</td> <td>122</td> <td>1/2</td> <td>2900</td> <td>1\"/&gt;  <tr> <td>U-46</td> <td>"</td> <td>"</td> <td>V-675</td> <td>122</td> <td>1/2</td> <td>2900</td> <td>1\"/&gt;  <tr> <td>U-47</td> <td>"</td> <td>"</td> <td>V-675</td> <td>122</td> <td>1/2</td> <td>2900</td> <td>1\"/&gt;  <tr> <td>U-48</td> <td>"</td> <td>"</td> <td>V-675</td> <td>122</td> <td>1/2</td> <td>2900</td> <td>1\"/&gt;  <tr> <td>U-49</td> <td>"</td> <td>"</td> <td>V-675</td> <td>122</td> <td>1/2</td> <td>2900</td> <td>1\"/&gt;  <tr> <td>U-50</td> <td>"</td> <td>"</td> <td>V-675</td> <td>122</td> <td>1/2</td> <td>2900</td> <td>1\"/&gt;  </td></tr></td></tr></td></tr></td></tr></td></tr></td></tr></td></tr></td></tr></td></tr></td></tr></td></tr></td></tr></td></tr></td></tr></td></tr></td></tr></td></tr></td></tr></td></tr></td></tr></td></tr></td></tr></td></tr></td></tr></td></tr>  
  | U-26 | " | " | V-675  | 122 | 1/2 | 2900   | 1\"/> <tr> <td>U-27</td> <td>"</td> <td>"</td> <td>V-675</td> <td>122</td> <td>1/2</td> <td>2900</td> <td>1\"/&gt;  <tr> <td>U-28</td> <td>"</td> <td>"</td> <td>V-675</td> <td>122</td> <td>1/2</td> <td>2900</td> <td>1\"/&gt;  <tr> <td>U-29</td> <td>"</td> <td>"</td> <td>V-675</td> <td>122</td> <td>1/2</td> <td>2900</td> <td>1\"/&gt;  <tr> <td>U-30</td> <td>"</td> <td>"</td> <td>V-675</td> <td>122</td> <td>1/2</td> <td>2900</td> <td>1\"/&gt;  <tr> <td>U-31</td> <td>"</td> <td>"</td> <td>V-675</td> <td>122</td> <td>1/2</td> <td>2900</td> <td>1\"/&gt;  <tr> <td>U-32</td> <td>"</td> <td>"</td> <td>V-675</td> <td>122</td> <td>1/2</td> <td>2900</td> <td>1\"/&gt;  <tr> <td>U-33</td> <td>"</td> <td>"</td> <td>V-675</td> <td>122</td> <td>1/2</td> <td>2900</td> <td>1\"/&gt;  <tr> <td>U-34</td> <td>"</td> <td>"</td> <td>V-675</td> <td>122</td> <td>1/2</td> <td>2900</td> <td>1\"/&gt;  <tr> <td>U-35</td> <td>"</td> <td>"</td> <td>V-675</td> <td>122</td> <td>1/2</td> <td>2900</td> <td>1\"/&gt;  <tr> <td>U-36</td> <td>"</td> <td>"</td> <td>V-675</td> <td>122</td> <td>1/2</td> <td>2900</td> <td>1\"/&gt;  <tr> <td>U-37</td> <td>"</td> <td>"</td> <td>V-675</td> <td>122</td> <td>1/2</td> <td>2900</td> <td>1\"/&gt;  <tr> <td>U-38</td> <td>"</td> <td>"</td> <td>V-675</td> <td>122</td> <td>1/2</td> <td>2900</td> <td>1\"/&gt;  <tr> <td>U-39</td> <td>"</td> <td>"</td> <td>V-675</td> <td>122</td> <td>1/2</td> <td>2900</td> <td>1\"/&gt;  <tr> <td>U-40</td> <td>"</td> <td>"</td> <td>V-675</td> <td>122</td> <td>1/2</td> <td>2900</td> <td>1\"/&gt;  <tr> <td>U-41</td> <td>"</td> <td>"</td> <td>V-675</td> <td>122</td> <td>1/2</td> <td>2900</td> <td>1\"/&gt;  <tr> <td>U-42</td> <td>"</td> <td>"</td> <td>V-675</td> <td>122</td> <td>1/2</td> <td>2900</td> <td>1\"/&gt;  <tr> <td>U-43</td> <td>"</td> <td>"</td> <td>V-675</td> <td>122</td> <td>1/2</td> <td>2900</td> <td>1\"/&gt;  <tr> <td>U-44</td> <td>"</td> <td>"</td> <td>V-675</td> <td>122</td> <td>1/2</td> <td>2900</td> <td>1\"/&gt;  <tr> <td>U-45</td> <td>"</td> <td>"</td> <td>V-675</td> <td>122</td> <td>1/2</td> <td>2900</td> <td>1\"/&gt;  <tr> <td>U-46</td> <td>"</td> <td>"</td> <td>V-675</td> <td>122</td> <td>1/2</td> <td>2900</td> <td>1\"/&gt;  <tr> <td>U-47</td> <td>"</td> <td>"</td> <td>V-675</td> <td>122</td> <td>1/2</td> <td>2900</td> <td>1\"/&gt;  <tr> <td>U-48</td> <td>"</td> <td>"</td> <td>V-675</td> <td>122</td> <td>1/2</td> <td>2900</td> <td>1\"/&gt;  <tr> <td>U-49</td> <td>"</td> <td>"</td> <td>V-675</td> <td>122</td> <td>1/2</td> <td>2900</td> <td>1\"/&gt;  <tr> <td>U-50</td> <td>"</td> <td>"</td> <td>V-675</td> <td>122</td> <td>1/2</td> <td>2900</td> <td>1\"/&gt;  </td></tr></td></tr></td></tr></td></tr></td></tr></td></tr></td></tr></td></tr></td></tr></td></tr></td></tr></td></tr></td></tr></td></tr></td></tr></td></tr></td></tr></td></tr></td></tr></td></tr></td></tr></td></tr></td></tr></td></tr>   | U-27 | " | " | V-675 | 122 | 1/2 | 2900    | 1\"/> <tr> <td>U-28</td> <td>"</td> <td>"</td> <td>V-675</td> <td>122</td> <td>1/2</td> <td>2900</td> <td>1\"/&gt;  <tr> <td>U-29</td> <td>"</td> <td>"</td> <td>V-675</td> <td>122</td> <td>1/2</td> <td>2900</td> <td>1\"/&gt;  <tr> <td>U-30</td> <td>"</td> <td>"</td> <td>V-675</td> <td>122</td> <td>1/2</td> <td>2900</td> <td>1\"/&gt;  <tr> <td>U-31</td> <td>"</td> <td>"</td> <td>V-675</td> <td>122</td> <td>1/2</td> <td>2900</td> <td>1\"/&gt;  <tr> <td>U-32</td> <td>"</td> <td>"</td> <td>V-675</td> <td>122</td> <td>1/2</td> <td>2900</td> <td>1\"/&gt;  <tr> <td>U-33</td> <td>"</td> <td>"</td> <td>V-675</td> <td>122</td> <td>1/2</td> <td>2900</td> <td>1\"/&gt;  <tr> <td>U-34</td> <td>"</td> <td>"</td> <td>V-675</td> <td>122</td> <td>1/2</td> <td>2900</td> <td>1\"/&gt;  <tr> <td>U-35</td> <td>"</td> <td>"</td> <td>V-675</td> <td>122</td> <td>1/2</td> <td>2900</td> <td>1\"/&gt;  <tr> <td>U-36</td> <td>"</td> <td>"</td> <td>V-675</td> <td>122</td> <td>1/2</td> <td>2900</td> <td>1\"/&gt;  <tr> <td>U-37</td> <td>"</td> <td>"</td> <td>V-675</td> <td>122</td> <td>1/2</td> <td>2900</td> <td>1\"/&gt;  <tr> <td>U-38</td> <td>"</td> <td>"</td> <td>V-675</td> <td>122</td> <td>1/2</td> <td>2900</td> <td>1\"/&gt;  <tr> <td>U-39</td> <td>"</td> <td>"</td> <td>V-675</td> <td>122</td> <td>1/2</td> <td>2900</td> <td>1\"/&gt;  <tr> <td>U-40</td> <td>"</td> <td>"</td> <td>V-675</td> <td>122</td> <td>1/2</td> <td>2900</td> <td>1\"/&gt;  <tr> <td>U-41</td> <td>"</td> <td>"</td> <td>V-675</td> <td>122</td> <td>1/2</td> <td>2900</td> <td>1\"/&gt;  <tr> <td>U-42</td> <td>"</td> <td>"</td> <td>V-675</td> <td>122</td> <td>1/2</td> <td>2900</td> <td>1\"/&gt;  <tr> <td>U-43</td> <td>"</td> <td>"</td> <td>V-675</td> <td>122</td> <td>1/2</td> <td>2900</td> <td>1\"/&gt;  <tr> <td>U-44</td> <td>"</td> <td>"</td>
<td>V-675</td> <td>122</td> <td>1/2</td> <td>2900</td> <td>1\"/&gt;  <tr> <td>U-45</td> <td>"</td> <td>"</td> <td>V-675</td> <td>122</td> <td>1/2</td> <td>2900</td> <td>1\"/&gt;  <tr> <td>U-46</td> <td>"</td> <td>"</td> <td>V-675</td> <td>122</td> <td>1/2</td> <td>2900</td> <td>1\"/&gt;  <tr> <td>U-47</td> <td>"</td> <td>"</td> <td>V-675</td> <td>122</td> <td>1/2</td> <td>2900</td> <td>1\"/&gt;  <tr> <td>U-48</td> <td>"</td> <td>"</td> <td>V-675</td> <td>122</td> <td>1/2</td> <td>2900</td> <td>1\"/&gt;  <tr> <td>U-49</td> <td>"</td> <td>"</td> <td>V-675</td> <td>122</td> <td>1/2</td> <td>2900</td> <td>1\"/&gt;  <tr> <td>U-50</td> <td>"</td> <td>"</td> <td>V-675</td> <td>122</td> <td>1/2</td> <td>2900</td> <td>1\"/&gt;  </td></tr></td></tr></td></tr></td></tr></td></tr></td></tr></td></tr></td></tr></td></tr></td></tr></td></tr></td></tr></td></tr></td></tr></td></tr></td></tr></td></tr></td></tr></td></tr></td></tr></td></tr></td></tr></td></tr>  | U-28 | " | " | V-675 | 122 | 1/2 | 2900   | 1\"/> <tr> <td>U-29</td> <td>"</td> <td>"</td> <td>V-675</td> <td>122</td> <td>1/2</td> <td>2900</td> <td>1\"/&gt;  <tr> <td>U-30</td> <td>"</td> <td>"</td> <td>V-675</td> <td>122</td> <td>1/2</td> <td>2900</td> <td>1\"/&gt;  <tr> <td>U-31</td> <td>"</td> <td>"</td> <td>V-675</td> <td>122</td> <td>1/2</td> <td>2900</td> <td>1\"/&gt;  <tr> <td>U-32</td> <td>"</td> <td>"</td> <td>V-675</td> <td>122</td> <td>1/2</td> <td>2900</td> <td>1\"/&gt;  <tr> <td>U-33</td> <td>"</td> <td>"</td> <td>V-675</td> <td>122</td> <td>1/2</td> <td>2900</td> <td>1\"/&gt;  <tr> <td>U-34</td> <td>"</td> <td>"</td> <td>V-675</td> <td>122</td> <td>1/2</td> <td>2900</td> <td>1\"/&gt;  <tr> <td>U-35</td> <td>"</td> <td>"</td> <td>V-675</td> <td>122</td> <td>1/2</td> <td>2900</td> <td>1\"/&gt;  <tr> <td>U-36</td> <td>"</td> <td>"</td> <td>V-675</td> <td>122</td> <td>1/2</td> <td>2900</td> <td>1\"/&gt;  <tr> <td>U-37</td> <td>"</td> <td>"</td> <td>V-675</td> <td>122</td> <td>1/2</td> <td>2900</td> <td>1\"/&gt;  <tr> <td>U-38</td> <td>"</td> <td>"</td> <td>V-675</td> <td>122</td> <td>1/2</td> <td>2900</td> <td>1\"/&gt;  <tr> <td>U-39</td> <td>"</td> <td>"</td> <td>V-675</td> <td>122</td> <td>1/2</td> <td>2900</td> <td>1\"/&gt;  <tr> <td>U-40</td> <td>"</td> <td>"</td> <td>V-675</td> <td>122</td> <td>1/2</td> <td>2900</td> <td>1\"/&gt;  <tr> <td>U-41</td> <td>"</td> <td>"</td> <td>V-675</td> <td>122</td> <td>1/2</td> <td>2900</td> <td>1\"/&gt;  <tr> <td>U-42</td> <td>"</td> <td>"</td> <td>V-675</td> <td>122</td> <td>1/2</td> <td>2900</td> <td>1\"/&gt;  <tr> <td>U-43</td> <td>"</td> <td>"</td> <td>V-675</td> <td>122</td> <td>1/2</td> <td>2900</td> <td>1\"/&gt;  <tr> <td>U-44</td> <td>"</td> <td>"</td> <td>V-675</td> <td>122</td> <td>1/2</td> <td>2900</td> <td>1\"/&gt;  <tr> <td>U-45</td> <td>"</td> <td>"</td> <td>V-675</td> <td>122</td> <td>1/2</td> <td>2900</td> <td>1\"/&gt;  <tr> <td>U-46</td> <td>"</td> <td>"</td> <td>V-675</td> <td>122</td> <td>1/2</td> <td>2900</td> <td>1\"/&gt;  <tr> <td>U-47</td> <td>"</td> <td>"</td> <td>V-675</td> <td>122</td> <td>1/2</td> <td>2900</td> <td>1\"/&gt;  <tr> <td>U-48</td> <td>"</td> <td>"</td> <td>V-675</td> <td>122</td> <td>1/2</td> <td>2900</td> <td>1\"/&gt;  <tr> <td>U-49</td> <td>"</td> <td>"</td> <td>V-675</td> <td>122</td> <td>1/2</td> <td>2900</td> <td>1\"/&gt;  <tr> <td>U-50</td> <td>"</td> <td>"</td> <td>V-675</td> <td>122</td> <td>1/2</td> <td>2900</td> <td>1\"/&gt;  </td></tr></td></tr></td></tr></td></tr></td></tr></td></tr></td></tr></td></tr></td></tr></td></tr></td></tr></td></tr></td></tr></td></tr></td></tr></td></tr></td></tr></td></tr></td></tr></td></tr></td></tr></td></tr>   | U-29 | " | " | V-675 | 122 | 1/2 | 2900    | 1\"/> <tr> <td>U-30</td> <td>"</td> <td>"</td> <td>V-675</td> <td>122</td> <td>1/2</td> <td>2900</td> <td>1\"/&gt;  <tr> <td>U-31</td> <td>"</td> <td>"</td> <td>V-675</td> <td>122</td> <td>1/2</td> <td>2900</td> <td>1\"/&gt;  <tr> <td>U-32</td> <td>"</td> <td>"</td> <td>V-675</td> <td>122</td> <td>1/2</td> <td>2900</td> <td>1\"/&gt;  <tr> <td>U-33</td> <td>"</td> <td>"</td> <td>V-675</td> <td>122</td> <td>1/2</td> <td>2900</td> <td>1\"/&gt;  <tr> <td>U-34</td> <td>"</td> <td>"</td> <td>V-675</td> <td>122</td> <td>1/2</td> <td>2900</td> <td>1\"/&gt;  <tr> <td>U-35</td> <td>"</td> <td>"</td> <td>V-675</td> <td>122</td> <td>1/2</td> <td>2900</td> <td>1\"/&gt;  <tr> <td>U-36</td> <td>"</td> <td>"</td> <td>V-675</td> <td>122</td> <td>1/2</td> <td>2900</td> <td>1\"/&gt;  <tr>
<td>U-37</td> <td>"</td> <td>"</td> <td>V-675</td> <td>122</td> <td>1/2</td> <td>2900</td> <td>1\"/&gt;  <tr> <td>U-38</td> <td>"</td> <td>"</td> <td>V-675</td> <td>122</td> <td>1/2</td> <td>2900</td> <td>1\"/&gt;  <tr> <td>U-39</td> <td>"</td> <td>"</td> <td>V-675</td> <td>122</td> <td>1/2</td> <td>2900</td> <td>1\"/&gt;  <tr> <td>U-40</td> <td>"</td> <td>"</td> <td>V-675</td> <td>122</td> <td>1/2</td> <td>2900</td> <td>1\"/&gt;  <tr> <td>U-41</td> <td>"</td> <td>"</td> <td>V-675</td> <td>122</td> <td>1/2</td> <td>2900</td> <td>1\"/&gt;  <tr> <td>U-42</td> <td>"</td> <td>"</td> <td>V-675</td> <td>122</td> <td>1/2</td> <td>2900</td> <td>1\"/&gt;  <tr> <td>U-43</td> <td>"</td> <td>"</td> <td>V-675</td> <td>122</td> <td>1/2</td> <td>2900</td> <td>1\"/&gt;  <tr> <td>U-44</td> <td>"</td> <td>"</td> <td>V-675</td> <td>122</td> <td>1/2</td> <td>2900</td> <td>1\"/&gt;  <tr> <td>U-45</td> <td>"</td> <td>"</td> <td>V-675</td> <td>122</td> <td>1/2</td> <td>2900</td> <td>1\"/&gt;  <tr> <td>U-46</td> <td>"</td> <td>"</td> <td>V-675</td> <td>122</td> <td>1/2</td> <td>2900</td> <td>1\"/&gt;  <tr> <td>U-47</td> <td>"</td> <td>"</td> <td>V-675</td> <td>122</td> <td>1/2</td> <td>2900</td> <td>1\"/&gt;  <tr> <td>U-48</td> <td>"</td> <td>"</td> <td>V-675</td> <td>122</td> <td>1/2</td> <td>2900</td> <td>1\"/&gt;  <tr> <td>U-49</td> <td>"</td> <td>"</td> <td>V-675</td> <td>122</td> <td>1/2</td> <td>2900</td> <td>1\"/&gt;  <tr> <td>U-50</td> <td>"</td> <td>"</td> <td>V-675</td> <td>122</td> <td>1/2</td> <td>2900</td> <td>1\"/&gt;  </td></tr></td></tr></td></tr></td></tr></td></tr></td></tr></td></tr></td></tr></td></tr></td></tr></td></tr></td></tr></td></tr></td></tr></td></tr></td></tr></td></tr></td></tr></td></tr></td></tr></td></tr>  | U-30 | "           | "      | V-675  | 122  | 1/2 | 2900 | 1\"/> <tr> <td>U-31</td> <td>"</td> <td>"</td> <td>V-675</td> <td>122</td> <td>1/2</td> <td>2900</td> <td>1\"/&gt;  <tr> <td>U-32</td> <td>"</td> <td>"</td> <td>V-675</td> <td>122</td> <td>1/2</td> <td>2900</td> <td>1\"/&gt;  <tr> <td>U-33</td> <td>"</td> <td>"</td> <td>V-675</td> <td>122</td> <td>1/2</td> <td>2900</td> <td>1\"/&gt;  <tr> <td>U-34</td> <td>"</td> <td>"</td> <td>V-675</td> <td>122</td> <td>1/2</td> <td>2900</td> <td>1\"/&gt;  <tr> <td>U-35</td> <td>"</td> <td>"</td> <td>V-675</td> <td>122</td> <td>1/2</td> <td>2900</td> <td>1\"/&gt;  <tr> <td>U-36</td> <td>"</td> <td>"</td> <td>V-675</td> <td>122</td> <td>1/2</td> <td>2900</td> <td>1\"/&gt;  <tr> <td>U-37</td> <td>"</td> <td>"</td> <td>V-675</td> <td>122</td> <td>1/2</td> <td>2900</td> <td>1\"/&gt;  <tr> <td>U-38</td> <td>"</td> <td>"</td> <td>V-675</td> <td>122</td> <td>1/2</td> <td>2900</td> <td>1\"/&gt;  <tr> <td>U-39</td> <td>"</td> <td>"</td> <td>V-675</td> <td>122</td> <td>1/2</td> <td>2900</td> <td>1\"/&gt;  <tr> <td>U-40</td> <td>"</td> <td>"</td> <td>V-675</td> <td>122</td> <td>1/2</td> <td>2900</td> <td>1\"/&gt;  <tr> <td>U-41</td> <td>"</td> <td>"</td> <td>V-675</td> <td>122</td> <td>1/2</td> <td>2900</td> <td>1\"/&gt;  <tr> <td>U-42</td> <td>"</td> <td>"</td> <td>V-675</td> <td>122</td> <td>1/2</td> <td>2900</td> <td>1\"/&gt;  <tr> <td>U-43</td> <td>"</td> <td>"</td> <td>V-675</td> <td>122</td> <td>1/2</td> <td>2900</td> <td>1\"/&gt;  <tr> <td>U-44</td> <td>"</td> <td>"</td> <td>V-675</td> <td>122</td> <td>1/2</td> <td>2900</td> <td>1\"/&gt;  <tr> <td>U-45</td> <td>"</td> <td>"</td> <td>V-675</td> <td>122</td> <td>1/2</td> <td>2900</td> <td>1\"/&gt;  <tr> <td>U-46</td> <td>"</td> <td>"</td> <td>V-675</td> <td>122</td> <td>1/2</td> <td>2900</td> <td>1\"/&gt;  <tr> <td>U-47</td> <td>"</td> <td>"</td> <td>V-675</td> <td>122</td> <td>1/2</td> <td>2900</td> <td>1\"/&gt;  <tr> <td>U-48</td> <td>"</td> <td>"</td> <td>V-675</td> <td>122</td> <td>1/2</td> <td>2900</td> <td>1\"/&gt;  <tr> <td>U-49</td> <td>"</td> <td>"</td> <td>V-675</td> <td>122</td> <td>1/2</td> <td>2900</td> <td>1\"/&gt;  <tr> <td>U-50</td> <td>"</td> <td>"</td> <td>V-675</td> <td>122</td> <td>1/2</td> <td>2900</td> <td>1\"/&gt;  </td></tr></td></tr></td></tr></td></tr></td></tr></td></tr></td></tr></td></tr></td></tr></td></tr></td></tr></td></tr></td></tr></td></tr></td></tr></td></tr></td></tr></td></tr></td></tr></td></tr>   
  | U-31 | " | " | V-675  | 122  | 1/2 | 2900 | 1\"/> <tr> <td>U-32</td> <td>"</td> <td>"</td> <td>V-675</td> <td>122</td> <td>1/2</td> <td>2900</td> <td>1\"/&gt;  <tr> <td>U-33</td> <td>"</td> <td>"</td> <td>V-675</td> <td>122</td> <td>1/2</td> <td>2900</td> <td>1\"/&gt;  <tr> <td>U-34</td> <td>"</td> <td>"</td> <td>V-675</td> <td>122</td> <td>1/2</td> <td>2900</td> <td>1\"/&gt;  <tr> <td>U-35</td> <td>"</td> <td>"</td> <td>V-675</td> <td>122</td> <td>1/2</td> <td>2900</td> <td>1\"/&gt;  <tr> <td>U-36</td> <td>"</td> <td>"</td> <td>V-675</td> <td>122</td> <td>1/2</td> <td>2900</td> <td>1\"/&gt;  <tr> <td>U-37</td> <td>"</td> <td>"</td> <td>V-675</td> <td>122</td> <td>1/2</td> <td>2900</td> <td>1\"/&gt;  <tr> <td>U-38</td> <td>"</td> <td>"</td> <td>V-675</td> <td>122</td> <td>1/2</td> <td>2900</td> <td>1\"/&gt;  <tr> <td>U-39</td> <td>"</td> <td>"</td> <td>V-675</td> <td>122</td> <td>1/2</td> <td>2900</td> <td>1\"/&gt;  <tr> <td>U-40</td> <td>"</td> <td>"</td> <td>V-675</td> <td>122</td> <td>1/2</td> <td>2900</td> <td>1\"/&gt;  <tr> <td>U-41</td> <td>"</td> <td>"</td> <td>V-675</td> <td>122</td> <td>1/2</td> <td>2900</td> <td>1\"/&gt;  <tr> <td>U-42</td> <td>"</td> <td>"</td> <td>V-675</td> <td>122</td> <td>1/2</td> <td>2900</td> <td>1\"/&gt;  <tr> <td>U-43</td> <td>"</td> <td>"</td> <td>V-675</td> <td>122</td> <td>1/2</td> <td>2900</td> <td>1\"/&gt;  <tr> <td>U-44</td> <td>"</td> <td>"</td> <td>V-675</td> <td>122</td> <td>1/2</td> <td>2900</td> <td>1\"/&gt;  <tr> <td>U-45</td> <td>"</td> <td>"</td> <td>V-675</td> <td>122</td> <td>1/2</td> <td>2900</td> <td>1\"/&gt;  <tr> <td>U-46</td> <td>"</td> <td>"</td> <td>V-675</td> <td>122</td> <td>1/2</td> <td>2900</td> <td>1\"/&gt;  <tr> <td>U-47</td> <td>"</td> <td>"</td> <td>V-675</td> <td>122</td> <td>1/2</td> <td>2900</td> <td>1\"/&gt;  <tr> <td>U-48</td> <td>"</td> <td>"</td> <td>V-675</td> <td>122</td> <td>1/2</td> <td>2900</td> <td>1\"/&gt;  <tr> <td>U-49</td> <td>"</td> <td>"</td> <td>V-675</td> <td>122</td> <td>1/2</td> <td>2900</td> <td>1\"/&gt;  <tr> <td>U-50</td> <td>"</td> <td>"</td> <td>V-675</td> <td>122</td> <td>1/2</td> <td>2900</td> <td>1\"/&gt;  </td></tr></td></tr></td></tr></td></tr></td></tr></td></tr></td></tr></td></tr></td></tr></td></tr></td></tr></td></tr></td></tr></td></tr></td></tr></td></tr></td></tr></td></tr></td></tr>   | U-32 | " | " | V-675  | 122 | 1/2 | 2900 | 1\"/> <tr> <td>U-33</td> <td>"</td> <td>"</td> <td>V-675</td> <td>122</td> <td>1/2</td> <td>2900</td> <td>1\"/&gt;  <tr> <td>U-34</td> <td>"</td> <td>"</td> <td>V-675</td> <td>122</td> <td>1/2</td> <td>2900</td> <td>1\"/&gt;  <tr> <td>U-35</td> <td>"</td> <td>"</td> <td>V-675</td> <td>122</td> <td>1/2</td> <td>2900</td> <td>1\"/&gt;  <tr> <td>U-36</td> <td>"</td> <td>"</td> <td>V-675</td> <td>122</td> <td>1/2</td> <td>2900</td> <td>1\"/&gt;  <tr> <td>U-37</td> <td>"</td> <td>"</td> <td>V-675</td> <td>122</td> <td>1/2</td> <td>2900</td> <td>1\"/&gt;  <tr> <td>U-38</td> <td>"</td> <td>"</td> <td>V-675</td> <td>122</td> <td>1/2</td> <td>2900</td> <td>1\"/&gt;  <tr> <td>U-39</td> <td>"</td> <td>"</td> <td>V-675</td> <td>122</td> <td>1/2</td> <td>2900</td> <td>1\"/&gt;  <tr> <td>U-40</td> <td>"</td> <td>"</td> <td>V-675</td> <td>122</td> <td>1/2</td> <td>2900</td> <td>1\"/&gt;  <tr> <td>U-41</td> <td>"</td> <td>"</td> <td>V-675</td> <td>122</td> <td>1/2</td> <td>2900</td> <td>1\"/&gt;  <tr> <td>U-42</td> <td>"</td> <td>"</td> <td>V-675</td> <td>122</td> <td>1/2</td> <td>2900</td> <td>1\"/&gt;  <tr> <td>U-43</td> <td>"</td> <td>"</td> <td>V-675</td> <td>122</td> <td>1/2</td> <td>2900</td> <td>1\"/&gt;  <tr> <td>U-44</td> <td>"</td> <td>"</td> <td>V-675</td> <td>122</td> <td>1/2</td> <td>2900</td> <td>1\"/&gt;  <tr> <td>U-45</td> <td>"</td> <td>"</td> <td>V-675</td> <td>122</td> <td>1/2</td> <td>2900</td> <td>1\"/&gt;  <tr> <td>U-46</td> <td>"</td> <td>"</td> <td>V-675</td> <td>122</td> <td>1/2</td> <td>2900</td> <td>1\"/&gt;  <tr> <td>U-47</td> <td>"</td> <td>"</td> <td>V-675</td> <td>122</td> <td>1/2</td> <td>2900</td> <td>1\"/&gt;  <tr> <td>U-48</td> <td>"</td> <td>"</td> <td>V-675</td> <td>122</td> <td>1/2</td> <td>2900</td> <td>1\"/&gt;  <tr> <td>U-49</td> <td>"</td> <td>"</td> <td>V-675</td> <td>122</td> <td>1/2</td> <td>2900</td> <td>1\"/&gt;  <tr> <td>U-50</td> <td>"</td> <td>"</td> <td>V-675</td> <td>122</td> <td>1/2</td> <td>2900</td> <td>1\"/&gt;  </td></tr></td></tr></td></tr></td></tr></td></tr></td></tr></td></tr></td></tr></td></tr></td></tr></td></tr></td></tr></td></tr></td></tr></td></tr></td></tr></td></tr></td></tr>   
   | U-33 | " | " | V-675 | 122 | 1/2 | 2900 | 1\"/> <tr> <td>U-34</td> <td>"</td> <td>"</td> <td>V-675</td> <td>122</td> <td>1/2</td> <td>2900</td> <td>1\"/&gt;  <tr> <td>U-35</td> <td>"</td> <td>"</td> <td>V-675</td> <td>122</td> <td>1/2</td> <td>2900</td> <td>1\"/&gt;  <tr> <td>U-36</td> <td>"</td> <td>"</td> <td>V-675</td> <td>122</td> <td>1/2</td> <td>2900</td> <td>1\"/&gt;  <tr> <td>U-37</td> <td>"</td> <td>"</td> <td>V-675</td> <td>122</td> <td>1/2</td> <td>2900</td> <td>1\"/&gt;  <tr> <td>U-38</td> <td>"</td> <td>"</td> <td>V-675</td> <td>122</td> <td>1/2</td> <td>2900</td> <td>1\"/&gt;  <tr> <td>U-39</td> <td>"</td> <td>"</td> <td>V-675</td> <td>122</td> <td>1/2</td> <td>2900</td> <td>1\"/&gt;  <tr> <td>U-40</td> <td>"</td> <td>"</td> <td>V-675</td> <td>122</td> <td>1/2</td> <td>2900</td> <td>1\"/&gt;  <tr> <td>U-41</td> <td>"</td> <td>"</td> <td>V-675</td> <td>122</td> <td>1/2</td> <td>2900</td> <td>1\"/&gt;  <tr> <td>U-42</td> <td>"</td> <td>"</td> <td>V-675</td> <td>122</td> <td>1/2</td> <td>2900</td> <td>1\"/&gt;  <tr> <td>U-43</td> <td>"</td> <td>"</td> <td>V-675</td> <td>122</td> <td>1/2</td> <td>2900</td> <td>1\"/&gt;  <tr> <td>U-44</td> <td>"</td> <td>"</td> <td>V-675</td> <td>122</td> <td>1/2</td> <td>2900</td> <td>1\"/&gt;  <tr> <td>U-45</td> <td>"</td> <td>"</td> <td>V-675</td> <td>122</td> <td>1/2</td> <td>2900</td> <td>1\"/&gt;  <tr> <td>U-46</td> <td>"</td> <td>"</td> <td>V-675</td> <td>122</td> <td>1/2</td> <td>2900</td> <td>1\"/&gt;  <tr> <td>U-47</td> <td>"</td> <td>"</td> <td>V-675</td> <td>122</td> <td>1/2</td> <td>2900</td> <td>1\"/&gt;  <tr> <td>U-48</td> <td>"</td> <td>"</td> <td>V-675</td> <td>122</td> <td>1/2</td> <td>2900</td> <td>1\"/&gt;  <tr> <td>U-49</td> <td>"</td> <td>"</td> <td>V-675</td> <td>122</td> <td>1/2</td> <td>2900</td> <td>1\"/&gt;  <tr> <td>U-50</td> <td>"</td> <td>"</td> <td>V-675</td> <td>122</td> <td>1/2</td> <td>2900</td> <td>1\"/&gt;  </td></tr></td></tr></td></tr></td></tr></td></tr></td></tr></td></tr></td></tr></td></tr></td></tr></td></tr></td></tr></td></tr></td></tr></td></tr></td></tr></td></tr>  | U-34 | " | " | V-675 | 122 | 1/2 | 2900 | 1\"/> <tr> <td>U-35</td> <td>"</td> <td>"</td> <td>V-675</td> <td>122</td> <td>1/2</td> <td>2900</td> <td>1\"/&gt;  <tr> <td>U-36</td> <td>"</td> <td>"</td> <td>V-675</td> <td>122</td> <td>1/2</td> <td>2900</td> <td>1\"/&gt;  <tr> <td>U-37</td> <td>"</td> <td>"</td> <td>V-675</td> <td>122</td> <td>1/2</td> <td>2900</td> <td>1\"/&gt;  <tr> <td>U-38</td> <td>"</td> <td>"</td> <td>V-675</td> <td>122</td> <td>1/2</td> <td>2900</td> <td>1\"/&gt;  <tr> <td>U-39</td> <td>"</td> <td>"</td> <td>V-675</td> <td>122</td> <td>1/2</td> <td>2900</td> <td>1\"/&gt;  <tr> <td>U-40</td> <td>"</td> <td>"</td> <td>V-675</td> <td>122</td> <td>1/2</td> <td>2900</td> <td>1\"/&gt;  <tr> <td>U-41</td> <td>"</td> <td>"</td> <td>V-675</td> <td>122</td> <td>1/2</td> <td>2900</td> <td>1\"/&gt;  <tr> <td>U-42</td> <td>"</td> <td>"</td> <td>V-675</td> <td>122</td> <td>1/2</td> <td>2900</td> <td>1\"/&gt;  <tr> <td>U-43</td> <td>"</td> <td>"</td> <td>V-675</td> <td>122</td> <td>1/2</td> <td>2900</td> <td>1\"/&gt;  <tr> <td>U-44</td> <td>"</td> <td>"</td> <td>V-675</td> <td>122</td> <td>1/2</td> <td>2900</td> <td>1\"/&gt;  <tr> <td>U-45</td> <td>"</td> <td>"</td> <td>V-675</td> <td>122</td> <td>1/2</td> <td>2900</td> <td>1\"/&gt;  <tr> <td>U-46</td> <td>"</td> <td>"</td> <td>V-675</td> <td>122</td> <td>1/2</td> <td>2900</td> <td>1\"/&gt;  <tr> <td>U-47</td> <td>"</td> <td>"</td> <td>V-675</td> <td>122</td> <td>1/2</td> <td>2900</td> <td>1\"/&gt;  <tr> <td>U-48</td> <td>"</td> <td>"</td> <td>V-675</td> <td>122</td> <td>1/2</td> <td>2900</td> <td>1\"/&gt;  <tr> <td>U-49</td> <td>"</td> <td>"</td> <td>V-675</td> <td>122</td> <td>1/2</td> <td>2900</td> <td>1\"/&gt;  <tr> <td>U-50</td> <td>"</td> <td>"</td> <td>V-675</td> <td>122</td> <td>1/2</td> <td>2900</td> <td>1\"/&gt;  </td></tr></td></tr></td></tr></td></tr></td></tr></td></tr></td></tr></td></tr></td></tr></td></tr></td></tr></td></tr></td></tr></td></tr></td></tr></td></tr>  
  | U-35 | " | " | V-675 | 122 | 1/2 | 2900 | 1\"/> <tr> <td>U-36</td> <td>"</td> <td>"</td> <td>V-675</td> <td>122</td> <td>1/2</td> <td>2900</td> <td>1\"/&gt;  <tr> <td>U-37</td> <td>"</td> <td>"</td> <td>V-675</td> <td>122</td> <td>1/2</td> <td>2900</td> <td>1\"/&gt;  <tr> <td>U-38</td> <td>"</td> <td>"</td> <td>V-675</td> <td>122</td> <td>1/2</td> <td>2900</td> <td>1\"/&gt;  <tr> <td>U-39</td> <td>"</td> <td>"</td> <td>V-675</td> <td>122</td> <td>1/2</td> <td>2900</td> <td>1\"/&gt;  <tr> <td>U-40</td> <td>"</td> <td>"</td> <td>V-675</td> <td>122</td> <td>1/2</td> <td>2900</td> <td>1\"/&gt;  <tr> <td>U-41</td> <td>"</td> <td>"</td> <td>V-675</td> <td>122</td> <td>1/2</td> <td>2900</td> <td>1\"/&gt;  <tr> <td>U-42</td> <td>"</td> <td>"</td> <td>V-675</td> <td>122</td> <td>1/2</td> <td>2900</td> <td>1\"/&gt;  <tr> <td>U-43</td> <td>"</td> <td>"</td> <td>V-675</td> <td>122</td> <td>1/2</td> <td>2900</td> <td>1\"/&gt;  <tr> <td>U-44</td> <td>"</td> <td>"</td> <td>V-675</td> <td>122</td> <td>1/2</td> <td>2900</td> <td>1\"/&gt;  <tr> <td>U-45</td> <td>"</td> <td>"</td> <td>V-675</td> <td>122</td> <td>1/2</td> <td>2900</td> <td>1\"/&gt;  <tr> <td>U-46</td> <td>"</td> <td>"</td> <td>V-675</td> <td>122</td> <td>1/2</td> <td>2900</td> <td>1\"/&gt;  <tr> <td>U-47</td> <td>"</td> <td>"</td> <td>V-675</td> <td>122</td> <td>1/2</td> <td>2900</td> <td>1\"/&gt;  <tr> <td>U-48</td> <td>"</td> <td>"</td> <td>V-675</td> <td>122</td> <td>1/2</td> <td>2900</td> <td>1\"/&gt;  <tr> <td>U-49</td> <td>"</td> <td>"</td> <td>V-675</td> <td>122</td> <td>1/2</td> <td>2900</td> <td>1\"/&gt;  <tr> <td>U-50</td> <td>"</td> <td>"</td> <td>V-675</td> <td>122</td> <td>1/2</td> <td>2900</td> <td>1\"/&gt;  </td></tr></td></tr></td></tr></td></tr></td></tr></td></tr></td></tr></td></tr></td></tr></td></tr></td></tr></td></tr></td></tr></td></tr></td></tr>  | U-36 | " | " | V-675 | 122 | 1/2 | 2900 | 1\"/> <tr> <td>U-37</td> <td>"</td> <td>"</td> <td>V-675</td> <td>122</td> <td>1/2</td> <td>2900</td> <td>1\"/&gt;  <tr> <td>U-38</td> <td>"</td> <td>"</td> <td>V-675</td> <td>122</td> <td>1/2</td> <td>2900</td> <td>1\"/&gt;  <tr> <td>U-39</td> <td>"</td> <td>"</td> <td>V-675</td> <td>122</td> <td>1/2</td> <td>2900</td> <td>1\"/&gt;  <tr> <td>U-40</td> <td>"</td> <td>"</td> <td>V-675</td> <td>122</td> <td>1/2</td> <td>2900</td> <td>1\"/&gt;  <tr> <td>U-41</td> <td>"</td> <td>"</td> <td>V-675</td> <td>122</td> <td>1/2</td> <td>2900</td> <td>1\"/&gt;  <tr> <td>U-42</td> <td>"</td> <td>"</td> <td>V-675</td> <td>122</td> <td>1/2</td> <td>2900</td> <td>1\"/&gt;  <tr> <td>U-43</td> <td>"</td> <td>"</td> <td>V-675</td> <td>122</td> <td>1/2</td> <td>2900</td> <td>1\"/&gt;  <tr> <td>U-44</td> <td>"</td> <td>"</td> <td>V-675</td> <td>122</td> <td>1/2</td> <td>2900</td> <td>1\"/&gt;  <tr> <td>U-45</td> <td>"</td> <td>"</td> <td>V-675</td> <td>122</td> <td>1/2</td> <td>2900</td> <td>1\"/&gt;  <tr> <td>U-46</td> <td>"</td> <td>"</td> <td>V-675</td> <td>122</td> <td>1/2</td> <td>2900</td> <td>1\"/&gt;  <tr> <td>U-47</td> <td>"</td> <td>"</td> <td>V-675</td> <td>122</td> <td>1/2</td> <td>2900</td> <td>1\"/&gt;  <tr> <td>U-48</td> <td>"</td> <td>"</td> <td>V-675</td> <td>122</td> <td>1/2</td> <td>2900</td> <td>1\"/&gt;  <tr> <td>U-49</td> <td>"</td> <td>"</td> <td>V-675</td> <td>122</td> <td>1/2</td> <td>2900</td> <td>1\"/&gt;  <tr> <td>U-50</td> <td>"</td> <td>"</td> <td>V-675</td> <td>122</td> <td>1/2</td> <td>2900</td> <td>1\"/&gt; 
</td></tr></td></tr></td></tr></td></tr></td></tr></td></tr></td></tr></td></tr></td></tr></td></tr></td></tr></td></tr></td></tr></td></tr>   | U-37 | " | " | V-675 | 122 | 1/2 | 2900 | 1\"/> <tr> <td>U-38</td> <td>"</td> <td>"</td> <td>V-675</td> <td>122</td> <td>1/2</td> <td>2900</td> <td>1\"/&gt;  <tr> <td>U-39</td> <td>"</td> <td>"</td> <td>V-675</td> <td>122</td> <td>1/2</td> <td>2900</td> <td>1\"/&gt;  <tr> <td>U-40</td> <td>"</td> <td>"</td> <td>V-675</td> <td>122</td> <td>1/2</td> <td>2900</td> <td>1\"/&gt;  <tr> <td>U-41</td> <td>"</td> <td>"</td> <td>V-675</td> <td>122</td> <td>1/2</td> <td>2900</td> <td>1\"/&gt;  <tr> <td>U-42</td> <td>"</td> <td>"</td> <td>V-675</td> <td>122</td> <td>1/2</td> <td>2900</td> <td>1\"/&gt;  <tr> <td>U-43</td> <td>"</td> <td>"</td> <td>V-675</td> <td>122</td> <td>1/2</td> <td>2900</td> <td>1\"/&gt;  <tr> <td>U-44</td> <td>"</td> <td>"</td> <td>V-675</td> <td>122</td> <td>1/2</td> <td>2900</td> <td>1\"/&gt;  <tr> <td>U-45</td> <td>"</td> <td>"</td> <td>V-675</td> <td>122</td> <td>1/2</td> <td>2900</td> <td>1\"/&gt;  <tr> <td>U-46</td> <td>"</td> <td>"</td> <td>V-675</td> <td>122</td> <td>1/2</td> <td>2900</td> <td>1\"/&gt;  <tr> <td>U-47</td> <td>"</td> <td>"</td> <td>V-675</td> <td>122</td> <td>1/2</td> <td>2900</td> <td>1\"/&gt;  <tr> <td>U-48</td> <td>"</td> <td>"</td> <td>V-675</td> <td>122</td> <td>1/2</td> <td>2900</td> <td>1\"/&gt;  <tr> <td>U-49</td> <td>"</td> <td>"</td> <td>V-675</td> <td>122</td> <td>1/2</td> <td>2900</td> <td>1\"/&gt;  <tr> <td>U-50</td> <td>"</td> <td>"</td> <td>V-675</td> <td>122</td> <td>1/2</td> <td>2900</td> <td>1\"/&gt;  </td></tr></td></tr></td></tr></td></tr></td></tr></td></tr></td></tr></td></tr></td></tr></td></tr></td></tr></td></tr></td></tr>  | U-38 | " | " | V-675 | 122 | 1/2 | 2900 | 1\"/> <tr> <td>U-39</td> <td>"</td> <td>"</td> <td>V-675</td> <td>122</td> <td>1/2</td> <td>2900</td> <td>1\"/&gt;  <tr> <td>U-40</td> <td>"</td> <td>"</td> <td>V-675</td> <td>122</td> <td>1/2</td> <td>2900</td> <td>1\"/&gt;  <tr> <td>U-41</td> <td>"</td> <td>"</td> <td>V-675</td> <td>122</td> <td>1/2</td> <td>2900</td> <td>1\"/&gt;  <tr> <td>U-42</td> <td>"</td> <td>"</td> <td>V-675</td> <td>122</td> <td>1/2</td> <td>2900</td> <td>1\"/&gt;  <tr> <td>U-43</td> <td>"</td> <td>"</td> <td>V-675</td> <td>122</td> <td>1/2</td> <td>2900</td> <td>1\"/&gt;  <tr> <td>U-44</td> <td>"</td> <td>"</td> <td>V-675</td> <td>122</td> <td>1/2</td> <td>2900</td> <td>1\"/&gt;  <tr> <td>U-45</td> <td>"</td> <td>"</td> <td>V-675</td> <td>122</td> <td>1/2</td> <td>2900</td> <td>1\"/&gt;  <tr> <td>U-46</td> <td>"</td> <td>"</td> <td>V-675</td> <td>122</td> <td>1/2</td> <td>2900</td> <td>1\"/&gt;  <tr> <td>U-47</td> <td>"</td> <td>"</td> <td>V-675</td> <td>122</td> <td>1/2</td> <td>2900</td> <td>1\"/&gt;  <tr> <td>U-48</td> <td>"</td> <td>"</td> <td>V-675</td> <td>122</td> <td>1/2</td> <td>2900</td> <td>1\"/&gt;  <tr> <td>U-49</td> <td>"</td> <td>"</td> <td>V-675</td> <td>122</td> <td>1/2</td> <td>2900</td> <td>1\"/&gt;  <tr> <td>U-50</td> <td>"</td>
<td>"</td> <td>V-675</td> <td>122</td> <td>1/2</td> <td>2900</td> <td>1\"/&gt;  </td></tr></td></tr></td></tr></td></tr></td></tr></td></tr></td></tr></td></tr></td></tr></td></tr></td></tr></td></tr>   | U-39 | " | " | V-675 | 122 | 1/2 | 2900 | 1\"/> <tr> <td>U-40</td> <td>"</td> <td>"</td> <td>V-675</td> <td>122</td> <td>1/2</td> <td>2900</td> <td>1\"/&gt;  <tr> <td>U-41</td> <td>"</td> <td>"</td> <td>V-675</td> <td>122</td> <td>1/2</td> <td>2900</td> <td>1\"/&gt;  <tr> <td>U-42</td> <td>"</td> <td>"</td> <td>V-675</td> <td>122</td> <td>1/2</td> <td>2900</td> <td>1\"/&gt;  <tr> <td>U-43</td> <td>"</td> <td>"</td> <td>V-675</td> <td>122</td> <td>1/2</td> <td>2900</td> <td>1\"/&gt;  <tr> <td>U-44</td> <td>"</td> <td>"</td> <td>V-675</td> <td>122</td> <td>1/2</td> <td>2900</td> <td>1\"/&gt;  <tr> <td>U-45</td> <td>"</td> <td>"</td> <td>V-675</td> <td>122</td> <td>1/2</td> <td>2900</td> <td>1\"/&gt;  <tr> <td>U-46</td> <td>"</td> <td>"</td> <td>V-675</td> <td>122</td> <td>1/2</td> <td>2900</td> <td>1\"/&gt;  <tr> <td>U-47</td> <td>"</td> <td>"</td> <td>V-675</td> <td>122</td> <td>1/2</td> <td>2900</td> <td>1\"/&gt;  <tr> <td>U-48</td> <td>"</td> <td>"</td> <td>V-675</td> <td>122</td> <td>1/2</td> <td>2900</td> <td>1\"/&gt;  <tr> <td>U-49</td> <td>"</td> <td>"</td> <td>V-675</td> <td>122</td> <td>1/2</td> <td>2900</td> <td>1\"/&gt;  <tr> <td>U-50</td> <td>"</td> <td>"</td> <td>V-675</td> <td>122</td> <td>1/2</td> <td>2900</td> <td>1\"/&gt;  </td></tr></td></tr></td></tr></td></tr></td></tr></td></tr></td></tr></td></tr></td></tr></td></tr></td></tr>   | U-40 | " | " | V-675 | 122 | 1/2 | 2900 | 1\"/> <tr> <td>U-41</td> <td>"</td> <td>"</td> <td>V-675</td> <td>122</td> <td>1/2</td> <td>2900</td> <td>1\"/&gt;  <tr> <td>U-42</td> <td>"</td> <td>"</td> <td>V-675</td> <td>122</td> <td>1/2</td> <td>2900</td> <td>1\"/&gt;  <tr> <td>U-43</td> <td>"</td> <td>"</td> <td>V-675</td> <td>122</td> <td>1/2</td> <td>2900</td> <td>1\"/&gt;  <tr> <td>U-44</td> <td>"</td> <td>"</td> <td>V-675</td> <td>122</td> <td>1/2</td> <td>2900</td> <td>1\"/&gt;  <tr> <td>U-45</td> <td>"</td> <td>"</td> <td>V-675</td> <td>122</td> <td>1/2</td> <td>2900</td> <td>1\"/&gt;  <tr> <td>U-46</td> <td>"</td> <td>"</td> <td>V-675</td> <td>122</td> <td>1/2</td> <td>2900</td> <td>1\"/&gt;  <tr> <td>U-47</td> <td>"</td> <td>"</td> <td>V-675</td> <td>122</td> <td>1/2</td> <td>2900</td> <td>1\"/&gt;  <tr> <td>U-48</td> <td>"</td> <td>"</td> <td>V-675</td> <td>122</td> <td>1/2</td> <td>2900</td> <td>1\"/&gt;  <tr> <td>U-49</td> <td>"</td> <td>"</td> <td>V-675</td> <td>122</td> <td>1/2</td> <td>2900</td> <td>1\"/&gt;  <tr> <td>U-50</td> <td>"</td> <td>"</td> <td>V-675</td> <td>122</td> <td>1/2</td> <td>2900</td> <td>1\"/&gt;  </td></tr></td></tr></td></tr></td></tr></td></tr></td></tr></td></tr></td></tr></td></tr></td></tr>   
   | U-41 | " | " | V-675 | 122 | 1/2 | 2900 | 1\"/> <tr> <td>U-42</td> <td>"</td> <td>"</td> <td>V-675</td> <td>122</td> <td>1/2</td> <td>2900</td> <td>1\"/&gt;  <tr> <td>U-43</td> <td>"</td> <td>"</td> <td>V-675</td> <td>122</td> <td>1/2</td> <td>2900</td> <td>1\"/&gt;  <tr> <td>U-44</td> <td>"</td> <td>"</td> <td>V-675</td> <td>122</td> <td>1/2</td> <td>2900</td> <td>1\"/&gt;  <tr> <td>U-45</td> <td>"</td> <td>"</td> <td>V-675</td> <td>122</td> <td>1/2</td> <td>2900</td> <td>1\"/&gt;  <tr> <td>U-46</td> <td>"</td> <td>"</td> <td>V-675</td> <td>122</td> <td>1/2</td> <td>2900</td> <td>1\"/&gt;  <tr> <td>U-47</td> <td>"</td> <td>"</td> <td>V-675</td> <td>122</td> <td>1/2</td> <td>2900</td> <td>1\"/&gt;  <tr> <td>U-48</td> <td>"</td> <td>"</td> <td>V-675</td> <td>122</td> <td>1/2</td> <td>2900</td> <td>1\"/&gt;  <tr> <td>U-49</td> <td>"</td> <td>"</td> <td>V-675</td> <td>122</td> <td>1/2</td> <td>2900</td> <td>1\"/&gt;  <tr> <td>U-50</td> <td>"</td> <td>"</td> <td>V-675</td> <td>122</td> <td>1/2</td> <td>2900</td> <td>1\"/&gt;  </td></tr></td></tr></td></tr></td></tr></td></tr></td></tr></td></tr></td></tr></td></tr>   | U-42 | " | " | V-675 | 122 | 1/2 | 2900 | 1\"/> <tr> <td>U-43</td> <td>"</td> <td>"</td> <td>V-675</td> <td>122</td> <td>1/2</td> <td>2900</td> <td>1\"/&gt;  <tr> <td>U-44</td> <td>"</td> <td>"</td> <td>V-675</td> <td>122</td> <td>1/2</td> <td>2900</td> <td>1\"/&gt;  <tr> <td>U-45</td> <td>"</td> <td>"</td> <td>V-675</td> <td>122</td> <td>1/2</td> <td>2900</td> <td>1\"/&gt;  <tr> <td>U-46</td> <td>"</td> <td>"</td> <td>V-675</td> <td>122</td> <td>1/2</td> <td>2900</td> <td>1\"/&gt;  <tr> <td>U-47</td> <td>"</td> <td>"</td> <td>V-675</td> <td>122</td> <td>1/2</td> <td>2900</td> <td>1\"/&gt;  <tr> <td>U-48</td> <td>"</td> <td>"</td> <td>V-675</td> <td>122</td> <td>1/2</td> <td>2900</td> <td>1\"/&gt;  <tr> <td>U-49</td> <td>"</td> <td>"</td> <td>V-675</td> <td>122</td> <td>1/2</td> <td>2900</td> <td>1\"/&gt;  <tr> <td>U-50</td> <td>"</td> <td>"</td> <td>V-675</td> <td>122</td> <td>1/2</td> <td>2900</td> <td>1\"/&gt;  </td></tr></td></tr></td></tr></td></tr></td></tr></td></tr></td></tr></td></tr>   
   | U-43 | " | " | V-675 | 122 | 1/2 | 2900 | 1\"/> <tr> <td>U-44</td> <td>"</td> <td>"</td> <td>V-675</td> <td>122</td> <td>1/2</td> <td>2900</td> <td>1\"/&gt;  <tr> <td>U-45</td> <td>"</td> <td>"</td> <td>V-675</td> <td>122</td> <td>1/2</td> <td>2900</td> <td>1\"/&gt;  <tr> <td>U-46</td> <td>"</td> <td>"</td> <td>V-675</td> <td>122</td> <td>1/2</td> <td>2900</td> <td>1\"/&gt;  <tr> <td>U-47</td> <td>"</td> <td>"</td> <td>V-675</td> <td>122</td> <td>1/2</td> <td>2900</td> <td>1\"/&gt;  <tr> <td>U-48</td> <td>"</td> <td>"</td> <td>V-675</td> <td>122</td> <td>1/2</td> <td>2900</td> <td>1\"/&gt;  <tr> <td>U-49</td> <td>"</td> <td>"</td> <td>V-675</td> <td>122</td> <td>1/2</td> <td>2900</td> <td>1\"/&gt;  <tr> <td>U-50</td> <td>"</td> <td>"</td> <td>V-675</td> <td>122</td> <td>1/2</td> <td>2900</td> <td>1\"/&gt;  </td></tr></td></tr></td></tr></td></tr></td></tr></td></tr></td></tr>   | U-44 | " | " | V-675 | 122 | 1/2 | 2900 | 1\"/> <tr> <td>U-45</td> <td>"</td> <td>"</td> <td>V-675</td> <td>122</td> <td>1/2</td> <td>2900</td> <td>1\"/&gt;  <tr> <td>U-46</td> <td>"</td> <td>"</td> <td>V-675</td> <td>122</td> <td>1/2</td> <td>2900</td> <td>1\"/&gt;  <tr> <td>U-47</td> <td>"</td> <td>"</td> <td>V-675</td> <td>122</td> <td>1/2</td> <td>2900</td> <td>1\"/&gt;  <tr> <td>U-48</td> <td>"</td> <td>"</td> <td>V-675</td> <td>122</td> <td>1/2</td> <td>2900</td> <td>1\"/&gt;  <tr> <td>U-49</td> <td>"</td> <td>"</td> <td>V-675</td> <td>122</td> <td>1/2</td> <td>2900</td> <td>1\"/&gt;  <tr> <td>U-50</td> <td>"</td> <td>"</td> <td>V-675</td> <td>122</td> <td>1/2</td> <td>2900</td> <td>1\"/&gt;  </td></tr></td></tr></td></tr></td></tr></td></tr></td></tr>   
   | U-45 | " | " | V-675 | 122 | 1/2 | 2900 | 1\"/> <tr> <td>U-46</td> <td>"</td> <td>"</td> <td>V-675</td> <td>122</td> <td>1/2</td> <td>2900</td> <td>1\"/&gt;  <tr> <td>U-47</td> <td>"</td> <td>"</td> <td>V-675</td> <td>122</td> <td>1/2</td> <td>2900</td> <td>1\"/&gt;  <tr> <td>U-48</td> <td>"</td> <td>"</td> <td>V-675</td> <td>122</td> <td>1/2</td> <td>2900</td> <td>1\"/&gt;  <tr> <td>U-49</td> <td>"</td> <td>"</td> <td>V-675</td> <td>122</td> <td>1/2</td> <td>2900</td> <td>1\"/&gt;  <tr> <td>U-50</td> <td>"</td> <td>"</td> <td>V-675</td> <td>122</td> <td>1/2</td> <td>2900</td> <td>1\"/&gt;  </td></tr></td></tr></td></tr></td></tr></td></tr>   | U-46 | " | " | V-675 | 122 | 1/2 | 2900 | 1\"/> <tr> <td>U-47</td> <td>"</td> <td>"</td> <td>V-675</td> <td>122</td> <td>1/2</td> <td>2900</td> <td>1\"/&gt;  <tr> <td>U-48</td> <td>"</td> <td>"</td> <td>V-675</td> <td>122</td> <td>1/2</td> <td>2900</td> <td>1\"/&gt;  <tr> <td>U-49</td> <td>"</td> <td>"</td> <td>V-675</td> <td>122</td> <td>1/2</td> <td>2900</td> <td>1\"/&gt;  <tr> <td>U-50</td> <td>"</td> <td>"</td> <td>V-675</td> <td>122</td> <td>1/2</td> <td>2900</td> <td>1\"/&gt;  </td></tr></td></tr></td></tr></td></tr>   | U-47 | " | " | V-675 | 122 | 1/2 | 2900 | 1\"/> <tr> <td>U-48</td> <td>"</td> <td>"</td> <td>V-675</td> <td>122</td> <td>1/2</td> <td>2900</td> <td>1\"/&gt;  <tr> <td>U-49</td> <td>"</td> <td>"</td> <td>V-675</td> <td>122</td> <td>1/2</td> <td>2900</td> <td>1\"/&gt;  <tr> <td>U-50</td> <td>"</td> <td>"</td> <td>V-675</td> <td>122</td> <td>1/2</td> <td>2900</td> <td>1\"/&gt;  </td></tr></td></tr></td></tr>  
  | U-48 | " | " | V-675 | 122 | 1/2 | 2900 | 1\"/> <tr> <td>U-49</td> <td>"</td> <td>"</td> <td>V-675</td> <td>122</td> <td>1/2</td> <td>2900</td> <td>1\"/&gt;  <tr> <td>U-50</td> <td>"</td> <td>"</td> <td>V-675</td> <td>122</td> <td>1/2</td> <td>2900</td> <td>1\"/&gt;  </td></tr></td></tr>   | U-49 | " | " | V-675 | 122 | 1/2 | 2900 | 1\"/> <tr> <td>U-50</td> <td>"</td> <td>"</td> <td>V-675</td> <td>122</td> <td>1/2</td> <td>2900</td> <td>1\"/&gt;  </td></tr>  
  | U-50 | " | " | V-675 | 122 | 1/2 | 2900 | 1\"/>  |      |   |   |       |     |     |      |  |      |   |   |       |     |     |      | | | | | | | | | | | | | | | | | | | | | | | | | | | | | | | | | | | | | | | | | |
   |      |   |   |       |     |     |      |  |      |   |   |       |     |     |      |  |      |   |   |       |     |     |      |  |      |   |   |       |     |     |      |  
   |      |   |   |       |     |     |      |  |      |   |   |       |     |     |      |  |      |   |   |       |     |     |      |   
  |      |   |   |       |     |     |      |  |      |   |   |       |     |     |      |  |      |   |   |       |     |     |      |  |      |   |   |       |     |     |      |  |      |   |   |       |     |     |      |  
   |      |   |   |       |     |     |      |  |      |   |   |       |     |     |      |  |      |   |   |       |     |     |      |  |      |   |   |       |     |     |      |  |      |   |   |       |     |     |      |  |      |   |   |       |     |     |      |  |      |   |   |       |     |     |      |   
  |      |   |   |       |     |     |      |  |      |   |   |       |     |     |      |  |      |   |   |       |     |     |      |  |      |   |   |       |     |     |      |  |      |   |   |       |     |     |      |  |      |   |   |       |     |     |      |  |      |   |   |       |     |     |      |  |      |   |   |       |     |     |      |       |
| U-25 | "             | "                       | V-675    | 122  | 1/2           | 2900    | 1\"/> <tr> <td>U-26</td> <td>"</td> <td>"</td> <td>V-675</td> <td>122</td> <td>1/2</td> <td>2900</td> <td>1\"/&gt;  <tr> <td>U-27</td> <td>"</td> <td>"</td> <td>V-675</td> <td>122</td> <td>1/2</td> <td>2900</td> <td>1\"/&gt;  <tr> <td>U-28</td> <td>"</td> <td>"</td> <td>V-675</td> <td>122</td> <td>1/2</td> <td>2900</td> <td>1\"/&gt;  <tr> <td>U-29</td> <td>"</td> <td>"</td> <td>V-675</td> <td>122</td> <td>1/2</td> <td>2900</td> <td>1\"/&gt;  <tr> <td>U-30</td> <td>"</td> <td>"</td> <td>V-675</td> <td>122</td> <td>1/2</td> <td>2900</td> <td>1\"/&gt;  <tr> <td>U-31</td> <td>"</td> <td>"</td> <td>V-675</td> <td>122</td> <td>1/2</td> <td>2900</td> <td>1\"/&gt;  <tr> <td>U-32</td> <td>"</td> <td>"</td> <td>V-675</td> <td>122</td> <td>1/2</td> <td>2900</td> <td>1\"/&gt;  <tr> <td>U-33</td> <td>"</td> <td>"</td> <td>V-675</td> <td>122</td> <td>1/2</td> <td>2900</td> <td>1\"/&gt;  <tr> <td>U-34</td> <td>"</td> <td>"</td> <td>V-675</td> <td>122</td> <td>1/2</td> <td>2900</td> <td>1\"/&gt;  <tr> <td>U-35</td> <td>"</td> <td>"</td> <td>V-675</td> <td>122</td> <td>1/2</td> <td>2900</td> <td>1\"/&gt;  <tr> <td>U-36</td> <td>"</td> <td>"</td> <td>V-675</td> <td>122</td> <td>1/2</td> <td>2900</td> <td>1\"/&gt;  <tr> <td>U-37</td> <td>"</td> <td>"</td> <td>V-675</td> <td>122</td> <td>1/2</td> <td>2900</td> <td>1\"/&gt;  <tr> <td>U-38</td> <td>"</td> <td>"</td> <td>V-675</td> <td>122</td> <td>1/2</td> <td>2900</td> <td>1\"/&gt;  <tr> <td>U-39</td> <td>"</td> <td>"</td> <td>V-675</td> <td>122</td> <td>1/2</td> <td>2900</td> <td>1\"/&gt;  <tr> <td>U-40</td> <td>"</td> <td>"</td> <td>V-675</td> <td>122</td> <td>1/2</td> <td>2900</td> <td>1\"/&gt;  <tr> <td>U-41</td> <td>"</td> <td>"</td> <td>V-675</td> <td>122</td> <td>1/2</td> <td>2900</td> <td>1\"/&gt;  <tr> <td>U-42</td> <td>"</td> <td>"</td> <td>V-675</td> <td>122</td> <td>1/2</td> <td>2900</td> <td>1\"/&gt;  <tr> <td>U-43</td> <td>"</td> <td>"</td> <td>V-675</td> <td>122</td> <td>1/2</td> <td>2900</td> <td>1\"/&gt;  <tr> <td>U-44</td> <td>"</td> <td>"</td> <td>V-675</td> <td>122</td> <td>1/2</td> <td>2900</td> <td>1\"/&gt;  <tr> <td>U-45</td> <td>"</td> <td>"</td> <td>V-675</td> <td>122</td> <td>1/2</td> <td>2900</td> <td>1\"/&gt;  <tr> <td>U-46</td> <td>"</td> <td>"</td> <td>V-675</td> <td>122</td> <td>1/2</td> <td>2900</td> <td>1\"/&gt;  <tr> <td>U-47</td> <td>"</td> <td>"</td> <td>V-675</td> <td>122</td> <td>1/2</td> <td>2900</td> <td>1\"/&gt;  <tr> <td>U-48</td> <td>"</td> <td>"</td> <td>V-675</td> <td>122</td> <td>1/2</td> <td>2900</td> <td>1\"/&gt;  <tr> <td>U-49</td> <td>"</td> <td>"</td> <td>V-675</td> <td>122</td> <td>1/2</td> <td>2900</td> <td>1\"/&gt;  <tr> <td>U-50</td> <td>"</td> <td>"</td> <td>V-675</td> <td>122</td> <td>1/2</td> <td>2900</td> <td>1\"/&gt;  </td></tr></td></tr></td></tr></td></tr></td></tr></td></tr></td></tr></td></tr></td></tr></td></tr></td></tr></td></tr></td></tr></td></tr></td></tr></td></tr></td></tr></td></tr></td></tr></td></tr></td></tr></td></tr></td></tr></td></tr></td></tr>  | U-26 | " | " | V-675  | 122  | 1/2 | 2900   | 1\"/> <tr> <td>U-27</td> <td>"</td> <td>"</td> <td>V-675</td> <td>122</td> <td>1/2</td> <td>2900</td> <td>1\"/&gt;  <tr> <td>U-28</td> <td>"</td> <td>"</td> <td>V-675</td> <td>122</td> <td>1/2</td> <td>2900</td> <td>1\"/&gt;  <tr> <td>U-29</td> <td>"</td> <td>"</td> <td>V-675</td> <td>122</td> <td>1/2</td> <td>2900</td> <td>1\"/&gt;  <tr> <td>U-30</td> <td>"</td> <td>"</td> <td>V-675</td> <td>122</td> <td>1/2</td> <td>2900</td> <td>1\"/&gt;  <tr> <td>U-31</td> <td>"</td> <td>"</td> <td>V-675</td> <td>122</td> <td>1/2</td> <td>2900</td> <td>1\"/&gt;  <tr> <td>U-32</td> <td>"</td> <td>"</td> <td>V-675</td> <td>122</td> <td>1/2</td> <td>2900</td> <td>1\"/&gt;  <tr> <td>U-33</td> <td>"</td> <td>"</td> <td>V-675</td> <td>122</td> <td>1/2</td> <td>2900</td> <td>1\"/&gt;  <tr> <td>U-34</td> <td>"</td> <td>"</td> <td>V-675</td> <td>122</td> <td>1/2</td> <td>2900</td> <td>1\"/&gt;  <tr> <td>U-35</td> <td>"</td> <td>"</td> <td>V-675</td> <td>122</td> <td>1/2</td> <td>2900</td> <td>1\"/&gt;  <tr> <td>U-36</td> <td>"</td> <td>"</td> <td>V-675</td> <td>122</td> <td>1/2</td> <td>2900</td> <td>1\"/&gt;  <tr> <td>U-37</td> <td>"</td> <td>"</td> <td>V-675</td> <td>122</td> <td>1/2</td> <td>2900</td> <td>1\"/&gt;  <tr> <td>U-38</td> <td>"</td> <td>"</td> <td>V-675</td> <td>122</td> <td>1/2</td> <td>2900</td> <td>1\"/&gt;  <tr> <td>U-39</td> <td>"</td> <td>"</td> <td>V-675</td> <td>122</td> <td>1/2</td> <td>2900</td> <td>1\"/&gt;  <tr> <td>U-40</td> <td>"</td> <td>"</td> <td>V-675</td> <td>122</td> <td>1/2</td> <td>2900</td> <td>1\"/&gt;  <tr> <td>U-41</td> <td>"</td> <td>"</td> <td>V-675</td> <td>122</td> <td>1/2</td> <td>2900</td> <td>1\"/&gt;  <tr> <td>U-42</td> <td>"</td> <td>"</td> <td>V-675</td> <td>122</td> <td>1/2</td> <td>2900</td> <td>1\"/&gt;  <tr> <td>U-43</td> <td>"</td> <td>"</td> <td>V-675</td> <td>122</td> <td>1/2</td> <td>2900</td> <td>1\"/&gt;  <tr> <td>U-44</td> <td>"</td> <td>"</td> <td>V-675</td> <td>122</td> <td>1/2</td> <td>2900</td> <td>1\"/&gt;  <tr> <td>U-45</td> <td>"</td> <td>"</td> <td>V-675</td> <td>122</td> <td>1/2</td> <td>2900</td> <td>1\"/&gt;  <tr> <td>U-46</td> <td>"</td> <td>"</td> <td>V-675</td> <td>122</td> <td>1/2</td> <td>2900</td> <td>1\"/&gt;  <tr> <td>U-47</td> <td>"</td> <td>"</td> <td>V-675</td> <td>122</td> <td>1/2</td> <td>2900</td> <td>1\"/&gt;  <tr> <td>U-48</td> <td>"</td> <td>"</td> <td>V-675</td> <td>122</td> <td>1/2</td> <td>2900</td> <td>1\"/&gt;  <tr> <td>U-49</td> <td>"</td> <td>"</td> <td>V-675</td> <td>122</td> <td>1/2</td> <td>2900</td> <td>1\"/&gt;  <tr> <td>U-50</td> <td>"</td> <td>"</td> <td>V-675</td> <td>122</td> <td>1/2</td> <td>2900</td> <td>1\"/&gt;  </td></tr></td></tr></td></tr></td></tr></td></tr></td></tr></td></tr></td></tr></td></tr></td></tr></td></tr></td></tr></td></tr></td></tr></td></tr></td></tr></td></tr></td></tr></td></tr></td></tr></td></tr></td></tr></td></tr></td></tr>  
  | U-27 | " | " | V-675  | 122 | 1/2 | 2900   | 1\"/> <tr> <td>U-28</td> <td>"</td> <td>"</td> <td>V-675</td> <td>122</td> <td>1/2</td> <td>2900</td> <td>1\"/&gt;  <tr> <td>U-29</td> <td>"</td> <td>"</td> <td>V-675</td> <td>122</td> <td>1/2</td> <td>2900</td> <td>1\"/&gt;  <tr> <td>U-30</td> <td>"</td> <td>"</td> <td>V-675</td> <td>122</td> <td>1/2</td> <td>2900</td> <td>1\"/&gt;  <tr> <td>U-31</td> <td>"</td> <td>"</td> <td>V-675</td> <td>122</td> <td>1/2</td> <td>2900</td> <td>1\"/&gt;  <tr> <td>U-32</td> <td>"</td> <td>"</td> <td>V-675</td> <td>122</td> <td>1/2</td> <td>2900</td> <td>1\"/&gt;  <tr> <td>U-33</td> <td>"</td> <td>"</td> <td>V-675</td> <td>122</td> <td>1/2</td> <td>2900</td> <td>1\"/&gt;  <tr> <td>U-34</td> <td>"</td> <td>"</td> <td>V-675</td> <td>122</td> <td>1/2</td> <td>2900</td> <td>1\"/&gt;  <tr> <td>U-35</td> <td>"</td> <td>"</td> <td>V-675</td> <td>122</td> <td>1/2</td> <td>2900</td> <td>1\"/&gt;  <tr> <td>U-36</td> <td>"</td> <td>"</td> <td>V-675</td> <td>122</td> <td>1/2</td> <td>2900</td> <td>1\"/&gt;  <tr> <td>U-37</td> <td>"</td> <td>"</td> <td>V-675</td> <td>122</td> <td>1/2</td> <td>2900</td> <td>1\"/&gt;  <tr> <td>U-38</td> <td>"</td> <td>"</td> <td>V-675</td> <td>122</td> <td>1/2</td> <td>2900</td> <td>1\"/&gt;  <tr> <td>U-39</td> <td>"</td> <td>"</td> <td>V-675</td> <td>122</td> <td>1/2</td> <td>2900</td> <td>1\"/&gt;  <tr> <td>U-40</td> <td>"</td> <td>"</td> <td>V-675</td> <td>122</td> <td>1/2</td> <td>2900</td> <td>1\"/&gt;  <tr> <td>U-41</td> <td>"</td> <td>"</td> <td>V-675</td> <td>122</td> <td>1/2</td> <td>2900</td> <td>1\"/&gt;  <tr> <td>U-42</td> <td>"</td> <td>"</td> <td>V-675</td> <td>122</td> <td>1/2</td> <td>2900</td> <td>1\"/&gt;  <tr> <td>U-43</td> <td>"</td> <td>"</td> <td>V-675</td> <td>122</td> <td>1/2</td> <td>2900</td> <td>1\"/&gt;  <tr> <td>U-44</td> <td>"</td> <td>"</td> <td>V-675</td> <td>122</td> <td>1/2</td> <td>2900</td> <td>1\"/&gt;  <tr> <td>U-45</td> <td>"</td> <td>"</td> <td>V-675</td> <td>122</td> <td>1/2</td> <td>2900</td> <td>1\"/&gt;  <tr> <td>U-46</td> <td>"</td> <td>"</td> <td>V-675</td> <td>122</td> <td>1/2</td> <td>2900</td> <td>1\"/&gt;  <tr> <td>U-47</td> <td>"</td> <td>"</td> <td>V-675</td> <td>122</td> <td>1/2</td> <td>2900</td> <td>1\"/&gt;  <tr> <td>U-48</td> <td>"</td> <td>"</td> <td>V-675</td> <td>122</td> <td>1/2</td> <td>2900</td> <td>1\"/&gt;  <tr> <td>U-49</td> <td>"</td> <td>"</td> <td>V-675</td> <td>122</td> <td>1/2</td> <td>2900</td> <td>1\"/&gt;  <tr> <td>U-50</td> <td>"</td> <td>"</td> <td>V-675</td> <td>122</td> <td>1/2</td> <td>2900</td> <td>1\"/&gt;  </td></tr></td></tr></td></tr></td></tr></td></tr></td></tr></td></tr></td></tr></td></tr></td></tr></td></tr></td></tr></td></tr></td></tr></td></tr></td></tr></td></tr></td></tr></td></tr></td></tr></td></tr></td></tr></td></tr>   | U-28 | " | " | V-675 | 122 | 1/2 | 2900    | 1\"/> <tr> <td>U-29</td> <td>"</td> <td>"</td> <td>V-675</td> <td>122</td> <td>1/2</td> <td>2900</td> <td>1\"/&gt;  <tr> <td>U-30</td> <td>"</td> <td>"</td> <td>V-675</td> <td>122</td> <td>1/2</td> <td>2900</td> <td>1\"/&gt;  <tr> <td>U-31</td> <td>"</td> <td>"</td> <td>V-675</td> <td>122</td> <td>1/2</td> <td>2900</td> <td>1\"/&gt;  <tr> <td>U-32</td> <td>"</td> <td>"</td> <td>V-675</td> <td>122</td> <td>1/2</td> <td>2900</td> <td>1\"/&gt;  <tr> <td>U-33</td> <td>"</td> <td>"</td> <td>V-675</td> <td>122</td> <td>1/2</td> <td>2900</td> <td>1\"/&gt;  <tr> <td>U-34</td> <td>"</td> <td>"</td> <td>V-675</td> <td>122</td> <td>1/2</td> <td>2900</td> <td>1\"/&gt;  <tr> <td>U-35</td> <td>"</td> <td>"</td> <td>V-675</td> <td>122</td> <td>1/2</td> <td>2900</td> <td>1\"/&gt;  <tr> <td>U-36</td> <td>"</td> <td>"</td> <td>V-675</td> <td>122</td> <td>1/2</td> <td>2900</td> <td>1\"/&gt;  <tr> <td>U-37</td> <td>"</td> <td>"</td> <td>V-675</td> <td>122</td> <td>1/2</td> <td>2900</td> <td>1\"/&gt;  <tr> <td>U-38</td> <td>"</td> <td>"</td> <td>V-675</td> <td>122</td> <td>1/2</td> <td>2900</td> <td>1\"/&gt;  <tr> <td>U-39</td> <td>"</td> <td>"</td> <td>V-675</td> <td>122</td> <td>1/2</td> <td>2900</td> <td>1\"/&gt;  <tr> <td>U-40</td> <td>"</td> <td>"</td> <td>V-675</td> <td>122</td> <td>1/2</td> <td>2900</td> <td>1\"/&gt;  <tr> <td>U-41</td> <td>"</td> <td>"</td> <td>V-675</td> <td>122</td> <td>1/2</td> <td>2900</td> <td>1\"/&gt;  <tr> <td>U-42</td> <td>"</td> <td>"</td> <td>V-675</td> <td>122</td> <td>1/2</td> <td>2900</td> <td>1\"/&gt;  <tr> <td>U-43</td> <td>"</td> <td>"</td> <td>V-675</td> <td>122</td> <td>1/2</td> <td>2900</td> <td>1\"/&gt;  <tr> <td>U-44</td> <td>"</td> <td>"</td> <td>V-675</td> <td>122</td> <td>1/2</td> <td>2900</td> <td>1\"/&gt;  <tr> <td>U-45</td> <td>"</td> <td>"</td>
<td>V-675</td> <td>122</td> <td>1/2</td> <td>2900</td> <td>1\"/&gt;  <tr> <td>U-46</td> <td>"</td> <td>"</td> <td>V-675</td> <td>122</td> <td>1/2</td> <td>2900</td> <td>1\"/&gt;  <tr> <td>U-47</td> <td>"</td> <td>"</td> <td>V-675</td> <td>122</td> <td>1/2</td> <td>2900</td> <td>1\"/&gt;  <tr> <td>U-48</td> <td>"</td> <td>"</td> <td>V-675</td> <td>122</td> <td>1/2</td> <td>2900</td> <td>1\"/&gt;  <tr> <td>U-49</td> <td>"</td> <td>"</td> <td>V-675</td> <td>122</td> <td>1/2</td> <td>2900</td> <td>1\"/&gt;  <tr> <td>U-50</td> <td>"</td> <td>"</td> <td>V-675</td> <td>122</td> <td>1/2</td> <td>2900</td> <td>1\"/&gt;  </td></tr></td></tr></td></tr></td></tr></td></tr></td></tr></td></tr></td></tr></td></tr></td></tr></td></tr></td></tr></td></tr></td></tr></td></tr></td></tr></td></tr></td></tr></td></tr></td></tr></td></tr></td></tr>  | U-29 | " | " | V-675 | 122 | 1/2 | 2900   | 1\"/> <tr> <td>U-30</td> <td>"</td> <td>"</td> <td>V-675</td> <td>122</td> <td>1/2</td> <td>2900</td> <td>1\"/&gt;  <tr> <td>U-31</td> <td>"</td> <td>"</td> <td>V-675</td> <td>122</td> <td>1/2</td> <td>2900</td> <td>1\"/&gt;  <tr> <td>U-32</td> <td>"</td> <td>"</td> <td>V-675</td> <td>122</td> <td>1/2</td> <td>2900</td> <td>1\"/&gt;  <tr> <td>U-33</td> <td>"</td> <td>"</td> <td>V-675</td> <td>122</td> <td>1/2</td> <td>2900</td> <td>1\"/&gt;  <tr> <td>U-34</td> <td>"</td> <td>"</td> <td>V-675</td> <td>122</td> <td>1/2</td> <td>2900</td> <td>1\"/&gt;  <tr> <td>U-35</td> <td>"</td> <td>"</td> <td>V-675</td> <td>122</td> <td>1/2</td> <td>2900</td> <td>1\"/&gt;  <tr> <td>U-36</td> <td>"</td> <td>"</td> <td>V-675</td> <td>122</td> <td>1/2</td> <td>2900</td> <td>1\"/&gt;  <tr> <td>U-37</td> <td>"</td> <td>"</td> <td>V-675</td> <td>122</td> <td>1/2</td> <td>2900</td> <td>1\"/&gt;  <tr> <td>U-38</td> <td>"</td> <td>"</td> <td>V-675</td> <td>122</td> <td>1/2</td> <td>2900</td> <td>1\"/&gt;  <tr> <td>U-39</td> <td>"</td> <td>"</td> <td>V-675</td> <td>122</td> <td>1/2</td> <td>2900</td> <td>1\"/&gt;  <tr> <td>U-40</td> <td>"</td> <td>"</td> <td>V-675</td> <td>122</td> <td>1/2</td> <td>2900</td> <td>1\"/&gt;  <tr> <td>U-41</td> <td>"</td> <td>"</td> <td>V-675</td> <td>122</td> <td>1/2</td> <td>2900</td> <td>1\"/&gt;  <tr> <td>U-42</td> <td>"</td> <td>"</td> <td>V-675</td> <td>122</td> <td>1/2</td> <td>2900</td> <td>1\"/&gt;  <tr> <td>U-43</td> <td>"</td> <td>"</td> <td>V-675</td> <td>122</td> <td>1/2</td> <td>2900</td> <td>1\"/&gt;  <tr> <td>U-44</td> <td>"</td> <td>"</td> <td>V-675</td> <td>122</td> <td>1/2</td> <td>2900</td> <td>1\"/&gt;  <tr> <td>U-45</td> <td>"</td> <td>"</td> <td>V-675</td> <td>122</td> <td>1/2</td> <td>2900</td> <td>1\"/&gt;  <tr> <td>U-46</td> <td>"</td> <td>"</td> <td>V-675</td> <td>122</td> <td>1/2</td> <td>2900</td> <td>1\"/&gt;  <tr> <td>U-47</td> <td>"</td> <td>"</td> <td>V-675</td> <td>122</td> <td>1/2</td> <td>2900</td> <td>1\"/&gt;  <tr> <td>U-48</td> <td>"</td> <td>"</td> <td>V-675</td> <td>122</td> <td>1/2</td> <td>2900</td> <td>1\"/&gt;  <tr> <td>U-49</td> <td>"</td> <td>"</td> <td>V-675</td> <td>122</td> <td>1/2</td> <td>2900</td> <td>1\"/&gt;  <tr> <td>U-50</td> <td>"</td> <td>"</td> <td>V-675</td> <td>122</td> <td>1/2</td> <td>2900</td> <td>1\"/&gt;  </td></tr></td></tr></td></tr></td></tr></td></tr></td></tr></td></tr></td></tr></td></tr></td></tr></td></tr></td></tr></td></tr></td></tr></td></tr></td></tr></td></tr></td></tr></td></tr></td></tr></td></tr>   | U-30 | " | " | V-675 | 122 | 1/2 | 2900    | 1\"/> <tr> <td>U-31</td> <td>"</td> <td>"</td> <td>V-675</td> <td>122</td> <td>1/2</td> <td>2900</td> <td>1\"/&gt;  <tr> <td>U-32</td> <td>"</td> <td>"</td> <td>V-675</td> <td>122</td> <td>1/2</td> <td>2900</td> <td>1\"/&gt;  <tr> <td>U-33</td> <td>"</td> <td>"</td> <td>V-675</td> <td>122</td> <td>1/2</td> <td>2900</td> <td>1\"/&gt;  <tr> <td>U-34</td> <td>"</td> <td>"</td> <td>V-675</td> <td>122</td> <td>1/2</td> <td>2900</td> <td>1\"/&gt;  <tr> <td>U-35</td> <td>"</td> <td>"</td> <td>V-675</td> <td>122</td> <td>1/2</td> <td>2900</td> <td>1\"/&gt;  <tr> <td>U-36</td> <td>"</td> <td>"</td> <td>V-675</td> <td>122</td> <td>1/2</td> <td>2900</td> <td>1\"/&gt;  <tr> <td>U-37</td> <td>"</td> <td>"</td> <td>V-675</td> <td>122</td> <td>1/2</td> <td>2900</td> <td>1\"/&gt;  <tr>
<td>U-38</td> <td>"</td> <td>"</td> <td>V-675</td> <td>122</td> <td>1/2</td> <td>2900</td> <td>1\"/&gt;  <tr> <td>U-39</td> <td>"</td> <td>"</td> <td>V-675</td> <td>122</td> <td>1/2</td> <td>2900</td> <td>1\"/&gt;  <tr> <td>U-40</td> <td>"</td> <td>"</td> <td>V-675</td> <td>122</td> <td>1/2</td> <td>2900</td> <td>1\"/&gt;  <tr> <td>U-41</td> <td>"</td> <td>"</td> <td>V-675</td> <td>122</td> <td>1/2</td> <td>2900</td> <td>1\"/&gt;  <tr> <td>U-42</td> <td>"</td> <td>"</td> <td>V-675</td> <td>122</td> <td>1/2</td> <td>2900</td> <td>1\"/&gt;  <tr> <td>U-43</td> <td>"</td> <td>"</td> <td>V-675</td> <td>122</td> <td>1/2</td> <td>2900</td> <td>1\"/&gt;  <tr> <td>U-44</td> <td>"</td> <td>"</td> <td>V-675</td> <td>122</td> <td>1/2</td> <td>2900</td> <td>1\"/&gt;  <tr> <td>U-45</td> <td>"</td> <td>"</td> <td>V-675</td> <td>122</td> <td>1/2</td> <td>2900</td> <td>1\"/&gt;  <tr> <td>U-46</td> <td>"</td> <td>"</td> <td>V-675</td> <td>122</td> <td>1/2</td> <td>2900</td> <td>1\"/&gt;  <tr> <td>U-47</td> <td>"</td> <td>"</td> <td>V-675</td> <td>122</td> <td>1/2</td> <td>2900</td> <td>1\"/&gt;  <tr> <td>U-48</td> <td>"</td> <td>"</td> <td>V-675</td> <td>122</td> <td>1/2</td> <td>2900</td> <td>1\"/&gt;  <tr> <td>U-49</td> <td>"</td> <td>"</td> <td>V-675</td> <td>122</td> <td>1/2</td> <td>2900</td> <td>1\"/&gt;  <tr> <td>U-50</td> <td>"</td> <td>"</td> <td>V-675</td> <td>122</td> <td>1/2</td> <td>2900</td> <td>1\"/&gt;  </td></tr></td></tr></td></tr></td></tr></td></tr></td></tr></td></tr></td></tr></td></tr></td></tr></td></tr></td></tr></td></tr></td></tr></td></tr></td></tr></td></tr></td></tr></td></tr></td></tr>  | U-31 | "           | "      | V-675  | 122  | 1/2 | 2900 | 1\"/> <tr> <td>U-32</td> <td>"</td> <td>"</td> <td>V-675</td> <td>122</td> <td>1/2</td> <td>2900</td> <td>1\"/&gt;  <tr> <td>U-33</td> <td>"</td> <td>"</td> <td>V-675</td> <td>122</td> <td>1/2</td> <td>2900</td> <td>1\"/&gt;  <tr> <td>U-34</td> <td>"</td> <td>"</td> <td>V-675</td> <td>122</td> <td>1/2</td> <td>2900</td> <td>1\"/&gt;  <tr> <td>U-35</td> <td>"</td> <td>"</td> <td>V-675</td> <td>122</td> <td>1/2</td> <td>2900</td> <td>1\"/&gt;  <tr> <td>U-36</td> <td>"</td> <td>"</td> <td>V-675</td> <td>122</td> <td>1/2</td> <td>2900</td> <td>1\"/&gt;  <tr> <td>U-37</td> <td>"</td> <td>"</td> <td>V-675</td> <td>122</td> <td>1/2</td> <td>2900</td> <td>1\"/&gt;  <tr> <td>U-38</td> <td>"</td> <td>"</td> <td>V-675</td> <td>122</td> <td>1/2</td> <td>2900</td> <td>1\"/&gt;  <tr> <td>U-39</td> <td>"</td> <td>"</td> <td>V-675</td> <td>122</td> <td>1/2</td> <td>2900</td> <td>1\"/&gt;  <tr> <td>U-40</td> <td>"</td> <td>"</td> <td>V-675</td> <td>122</td> <td>1/2</td> <td>2900</td> <td>1\"/&gt;  <tr> <td>U-41</td> <td>"</td> <td>"</td> <td>V-675</td> <td>122</td> <td>1/2</td> <td>2900</td> <td>1\"/&gt;  <tr> <td>U-42</td> <td>"</td> <td>"</td> <td>V-675</td> <td>122</td> <td>1/2</td> <td>2900</td> <td>1\"/&gt;  <tr> <td>U-43</td> <td>"</td> <td>"</td> <td>V-675</td> <td>122</td> <td>1/2</td> <td>2900</td> <td>1\"/&gt;  <tr> <td>U-44</td> <td>"</td> <td>"</td> <td>V-675</td> <td>122</td> <td>1/2</td> <td>2900</td> <td>1\"/&gt;  <tr> <td>U-45</td> <td>"</td> <td>"</td> <td>V-675</td> <td>122</td> <td>1/2</td> <td>2900</td> <td>1\"/&gt;  <tr> <td>U-46</td> <td>"</td> <td>"</td> <td>V-675</td> <td>122</td> <td>1/2</td> <td>2900</td> <td>1\"/&gt;  <tr> <td>U-47</td> <td>"</td> <td>"</td> <td>V-675</td> <td>122</td> <td>1/2</td> <td>2900</td> <td>1\"/&gt;  <tr> <td>U-48</td> <td>"</td> <td>"</td> <td>V-675</td> <td>122</td> <td>1/2</td> <td>2900</td> <td>1\"/&gt;  <tr> <td>U-49</td> <td>"</td> <td>"</td> <td>V-675</td> <td>122</td> <td>1/2</td> <td>2900</td> <td>1\"/&gt;  <tr> <td>U-50</td> <td>"</td> <td>"</td> <td>V-675</td> <td>122</td> <td>1/2</td> <td>2900</td> <td>1\"/&gt;  </td></tr></td></tr></td></tr></td></tr></td></tr></td></tr></td></tr></td></tr></td></tr></td></tr></td></tr></td></tr></td></tr></td></tr></td></tr></td></tr></td></tr></td></tr></td></tr>   
  | U-32 | " | " | V-675  | 122  | 1/2 | 2900 | 1\"/> <tr> <td>U-33</td> <td>"</td> <td>"</td> <td>V-675</td> <td>122</td> <td>1/2</td> <td>2900</td> <td>1\"/&gt;  <tr> <td>U-34</td> <td>"</td> <td>"</td> <td>V-675</td> <td>122</td> <td>1/2</td> <td>2900</td> <td>1\"/&gt;  <tr> <td>U-35</td> <td>"</td> <td>"</td> <td>V-675</td> <td>122</td> <td>1/2</td> <td>2900</td> <td>1\"/&gt;  <tr> <td>U-36</td> <td>"</td> <td>"</td> <td>V-675</td> <td>122</td> <td>1/2</td> <td>2900</td> <td>1\"/&gt;  <tr> <td>U-37</td> <td>"</td> <td>"</td> <td>V-675</td> <td>122</td> <td>1/2</td> <td>2900</td> <td>1\"/&gt;  <tr> <td>U-38</td> <td>"</td> <td>"</td> <td>V-675</td> <td>122</td> <td>1/2</td> <td>2900</td> <td>1\"/&gt;  <tr> <td>U-39</td> <td>"</td> <td>"</td> <td>V-675</td> <td>122</td> <td>1/2</td> <td>2900</td> <td>1\"/&gt;  <tr> <td>U-40</td> <td>"</td> <td>"</td> <td>V-675</td> <td>122</td> <td>1/2</td> <td>2900</td> <td>1\"/&gt;  <tr> <td>U-41</td> <td>"</td> <td>"</td> <td>V-675</td> <td>122</td> <td>1/2</td> <td>2900</td> <td>1\"/&gt;  <tr> <td>U-42</td> <td>"</td> <td>"</td> <td>V-675</td> <td>122</td> <td>1/2</td> <td>2900</td> <td>1\"/&gt;  <tr> <td>U-43</td> <td>"</td> <td>"</td> <td>V-675</td> <td>122</td> <td>1/2</td> <td>2900</td> <td>1\"/&gt;  <tr> <td>U-44</td> <td>"</td> <td>"</td> <td>V-675</td> <td>122</td> <td>1/2</td> <td>2900</td> <td>1\"/&gt;  <tr> <td>U-45</td> <td>"</td> <td>"</td> <td>V-675</td> <td>122</td> <td>1/2</td> <td>2900</td> <td>1\"/&gt;  <tr> <td>U-46</td> <td>"</td> <td>"</td> <td>V-675</td> <td>122</td> <td>1/2</td> <td>2900</td> <td>1\"/&gt;  <tr> <td>U-47</td> <td>"</td> <td>"</td> <td>V-675</td> <td>122</td> <td>1/2</td> <td>2900</td> <td>1\"/&gt;  <tr> <td>U-48</td> <td>"</td> <td>"</td> <td>V-675</td> <td>122</td> <td>1/2</td> <td>2900</td> <td>1\"/&gt;  <tr> <td>U-49</td> <td>"</td> <td>"</td> <td>V-675</td> <td>122</td> <td>1/2</td> <td>2900</td> <td>1\"/&gt;  <tr> <td>U-50</td> <td>"</td> <td>"</td> <td>V-675</td> <td>122</td> <td>1/2</td> <td>2900</td> <td>1\"/&gt;  </td></tr></td></tr></td></tr></td></tr></td></tr></td></tr></td></tr></td></tr></td></tr></td></tr></td></tr></td></tr></td></tr></td></tr></td></tr></td></tr></td></tr></td></tr>   | U-33 | " | " | V-675  | 122 | 1/2 | 2900 | 1\"/> <tr> <td>U-34</td> <td>"</td> <td>"</td> <td>V-675</td> <td>122</td> <td>1/2</td> <td>2900</td> <td>1\"/&gt;  <tr> <td>U-35</td> <td>"</td> <td>"</td> <td>V-675</td> <td>122</td> <td>1/2</td> <td>2900</td> <td>1\"/&gt;  <tr> <td>U-36</td> <td>"</td> <td>"</td> <td>V-675</td> <td>122</td> <td>1/2</td> <td>2900</td> <td>1\"/&gt;  <tr> <td>U-37</td> <td>"</td> <td>"</td> <td>V-675</td> <td>122</td> <td>1/2</td> <td>2900</td> <td>1\"/&gt;  <tr> <td>U-38</td> <td>"</td> <td>"</td> <td>V-675</td> <td>122</td> <td>1/2</td> <td>2900</td> <td>1\"/&gt;  <tr> <td>U-39</td> <td>"</td> <td>"</td> <td>V-675</td> <td>122</td> <td>1/2</td> <td>2900</td> <td>1\"/&gt;  <tr> <td>U-40</td> <td>"</td> <td>"</td> <td>V-675</td> <td>122</td> <td>1/2</td> <td>2900</td> <td>1\"/&gt;  <tr> <td>U-41</td> <td>"</td> <td>"</td> <td>V-675</td> <td>122</td> <td>1/2</td> <td>2900</td> <td>1\"/&gt;  <tr> <td>U-42</td> <td>"</td> <td>"</td> <td>V-675</td> <td>122</td> <td>1/2</td> <td>2900</td> <td>1\"/&gt;  <tr> <td>U-43</td> <td>"</td> <td>"</td> <td>V-675</td> <td>122</td> <td>1/2</td> <td>2900</td> <td>1\"/&gt;  <tr> <td>U-44</td> <td>"</td> <td>"</td> <td>V-675</td> <td>122</td> <td>1/2</td> <td>2900</td> <td>1\"/&gt;  <tr> <td>U-45</td> <td>"</td> <td>"</td> <td>V-675</td> <td>122</td> <td>1/2</td> <td>2900</td> <td>1\"/&gt;  <tr> <td>U-46</td> <td>"</td> <td>"</td> <td>V-675</td> <td>122</td> <td>1/2</td> <td>2900</td> <td>1\"/&gt;  <tr> <td>U-47</td> <td>"</td> <td>"</td> <td>V-675</td> <td>122</td> <td>1/2</td> <td>2900</td> <td>1\"/&gt;  <tr> <td>U-48</td> <td>"</td> <td>"</td> <td>V-675</td> <td>122</td> <td>1/2</td> <td>2900</td> <td>1\"/&gt;  <tr> <td>U-49</td> <td>"</td> <td>"</td> <td>V-675</td> <td>122</td> <td>1/2</td> <td>2900</td> <td>1\"/&gt;  <tr> <td>U-50</td> <td>"</td> <td>"</td> <td>V-675</td> <td>122</td> <td>1/2</td> <td>2900</td> <td>1\"/&gt;  </td></tr></td></tr></td></tr></td></tr></td></tr></td></tr></td></tr></td></tr></td></tr></td></tr></td></tr></td></tr></td></tr></td></tr></td></tr></td></tr></td></tr>   
   | U-34 | " | " | V-675 | 122 | 1/2 | 2900 | 1\"/> <tr> <td>U-35</td> <td>"</td> <td>"</td> <td>V-675</td> <td>122</td> <td>1/2</td> <td>2900</td> <td>1\"/&gt;  <tr> <td>U-36</td> <td>"</td> <td>"</td> <td>V-675</td> <td>122</td> <td>1/2</td> <td>2900</td> <td>1\"/&gt;  <tr> <td>U-37</td> <td>"</td> <td>"</td> <td>V-675</td> <td>122</td> <td>1/2</td> <td>2900</td> <td>1\"/&gt;  <tr> <td>U-38</td> <td>"</td> <td>"</td> <td>V-675</td> <td>122</td> <td>1/2</td> <td>2900</td> <td>1\"/&gt;  <tr> <td>U-39</td> <td>"</td> <td>"</td> <td>V-675</td> <td>122</td> <td>1/2</td> <td>2900</td> <td>1\"/&gt;  <tr> <td>U-40</td> <td>"</td> <td>"</td> <td>V-675</td> <td>122</td> <td>1/2</td> <td>2900</td> <td>1\"/&gt;  <tr> <td>U-41</td> <td>"</td> <td>"</td> <td>V-675</td> <td>122</td> <td>1/2</td> <td>2900</td> <td>1\"/&gt;  <tr> <td>U-42</td> <td>"</td> <td>"</td> <td>V-675</td> <td>122</td> <td>1/2</td> <td>2900</td> <td>1\"/&gt;  <tr> <td>U-43</td> <td>"</td> <td>"</td> <td>V-675</td> <td>122</td> <td>1/2</td> <td>2900</td> <td>1\"/&gt;  <tr> <td>U-44</td> <td>"</td> <td>"</td> <td>V-675</td> <td>122</td> <td>1/2</td> <td>2900</td> <td>1\"/&gt;  <tr> <td>U-45</td> <td>"</td> <td>"</td> <td>V-675</td> <td>122</td> <td>1/2</td> <td>2900</td> <td>1\"/&gt;  <tr> <td>U-46</td> <td>"</td> <td>"</td> <td>V-675</td> <td>122</td> <td>1/2</td> <td>2900</td> <td>1\"/&gt;  <tr> <td>U-47</td> <td>"</td> <td>"</td> <td>V-675</td> <td>122</td> <td>1/2</td> <td>2900</td> <td>1\"/&gt;  <tr> <td>U-48</td> <td>"</td> <td>"</td> <td>V-675</td> <td>122</td> <td>1/2</td> <td>2900</td> <td>1\"/&gt;  <tr> <td>U-49</td> <td>"</td> <td>"</td> <td>V-675</td> <td>122</td> <td>1/2</td> <td>2900</td> <td>1\"/&gt;  <tr> <td>U-50</td> <td>"</td> <td>"</td> <td>V-675</td> <td>122</td> <td>1/2</td> <td>2900</td> <td>1\"/&gt;  </td></tr></td></tr></td></tr></td></tr></td></tr></td></tr></td></tr></td></tr></td></tr></td></tr></td></tr></td></tr></td></tr></td></tr></td></tr></td></tr>  | U-35 | " | " | V-675 | 122 | 1/2 | 2900 | 1\"/> <tr> <td>U-36</td> <td>"</td> <td>"</td> <td>V-675</td> <td>122</td> <td>1/2</td> <td>2900</td> <td>1\"/&gt;  <tr> <td>U-37</td> <td>"</td> <td>"</td> <td>V-675</td> <td>122</td> <td>1/2</td> <td>2900</td> <td>1\"/&gt;  <tr> <td>U-38</td> <td>"</td> <td>"</td> <td>V-675</td> <td>122</td> <td>1/2</td> <td>2900</td> <td>1\"/&gt;  <tr> <td>U-39</td> <td>"</td> <td>"</td> <td>V-675</td> <td>122</td> <td>1/2</td> <td>2900</td> <td>1\"/&gt;  <tr> <td>U-40</td> <td>"</td> <td>"</td> <td>V-675</td> <td>122</td> <td>1/2</td> <td>2900</td> <td>1\"/&gt;  <tr> <td>U-41</td> <td>"</td> <td>"</td> <td>V-675</td> <td>122</td> <td>1/2</td> <td>2900</td> <td>1\"/&gt;  <tr> <td>U-42</td> <td>"</td> <td>"</td> <td>V-675</td> <td>122</td> <td>1/2</td> <td>2900</td> <td>1\"/&gt;  <tr> <td>U-43</td> <td>"</td> <td>"</td> <td>V-675</td> <td>122</td> <td>1/2</td> <td>2900</td> <td>1\"/&gt;  <tr> <td>U-44</td> <td>"</td> <td>"</td> <td>V-675</td> <td>122</td> <td>1/2</td> <td>2900</td> <td>1\"/&gt;  <tr> <td>U-45</td> <td>"</td> <td>"</td> <td>V-675</td> <td>122</td> <td>1/2</td> <td>2900</td> <td>1\"/&gt;  <tr> <td>U-46</td> <td>"</td> <td>"</td> <td>V-675</td> <td>122</td> <td>1/2</td> <td>2900</td> <td>1\"/&gt;  <tr> <td>U-47</td> <td>"</td> <td>"</td> <td>V-675</td> <td>122</td> <td>1/2</td> <td>2900</td> <td>1\"/&gt;  <tr> <td>U-48</td> <td>"</td> <td>"</td> <td>V-675</td> <td>122</td> <td>1/2</td> <td>2900</td> <td>1\"/&gt;  <tr> <td>U-49</td> <td>"</td> <td>"</td> <td>V-675</td> <td>122</td> <td>1/2</td> <td>2900</td> <td>1\"/&gt;  <tr> <td>U-50</td> <td>"</td> <td>"</td> <td>V-675</td> <td>122</td> <td>1/2</td> <td>2900</td> <td>1\"/&gt;  </td></tr></td></tr></td></tr></td></tr></td></tr></td></tr></td></tr></td></tr></td></tr></td></tr></td></tr></td></tr></td></tr></td></tr></td></tr>  
  | U-36 | " | " | V-675 | 122 | 1/2 | 2900 | 1\"/> <tr> <td>U-37</td> <td>"</td> <td>"</td> <td>V-675</td> <td>122</td> <td>1/2</td> <td>2900</td> <td>1\"/&gt;  <tr> <td>U-38</td> <td>"</td> <td>"</td> <td>V-675</td> <td>122</td> <td>1/2</td> <td>2900</td> <td>1\"/&gt;  <tr> <td>U-39</td> <td>"</td> <td>"</td> <td>V-675</td> <td>122</td> <td>1/2</td> <td>2900</td> <td>1\"/&gt;  <tr> <td>U-40</td> <td>"</td> <td>"</td> <td>V-675</td> <td>122</td> <td>1/2</td> <td>2900</td> <td>1\"/&gt;  <tr> <td>U-41</td> <td>"</td> <td>"</td> <td>V-675</td> <td>122</td> <td>1/2</td> <td>2900</td> <td>1\"/&gt;  <tr> <td>U-42</td> <td>"</td> <td>"</td> <td>V-675</td> <td>122</td> <td>1/2</td> <td>2900</td> <td>1\"/&gt;  <tr> <td>U-43</td> <td>"</td> <td>"</td> <td>V-675</td> <td>122</td> <td>1/2</td> <td>2900</td> <td>1\"/&gt;  <tr> <td>U-44</td> <td>"</td> <td>"</td> <td>V-675</td> <td>122</td> <td>1/2</td> <td>2900</td> <td>1\"/&gt;  <tr> <td>U-45</td> <td>"</td> <td>"</td> <td>V-675</td> <td>122</td> <td>1/2</td> <td>2900</td> <td>1\"/&gt;  <tr> <td>U-46</td> <td>"</td> <td>"</td> <td>V-675</td> <td>122</td> <td>1/2</td> <td>2900</td> <td>1\"/&gt;  <tr> <td>U-47</td> <td>"</td> <td>"</td> <td>V-675</td> <td>122</td> <td>1/2</td> <td>2900</td> <td>1\"/&gt;  <tr> <td>U-48</td> <td>"</td> <td>"</td> <td>V-675</td> <td>122</td> <td>1/2</td> <td>2900</td> <td>1\"/&gt;  <tr> <td>U-49</td> <td>"</td> <td>"</td> <td>V-675</td> <td>122</td> <td>1/2</td> <td>2900</td> <td>1\"/&gt;  <tr> <td>U-50</td> <td>"</td> <td>"</td> <td>V-675</td> <td>122</td> <td>1/2</td> <td>2900</td> <td>1\"/&gt;  </td></tr></td></tr></td></tr></td></tr></td></tr></td></tr></td></tr></td></tr></td></tr></td></tr></td></tr></td></tr></td></tr></td></tr>  | U-37 | " | " | V-675 | 122 | 1/2 | 2900 | 1\"/> <tr> <td>U-38</td> <td>"</td> <td>"</td> <td>V-675</td> <td>122</td> <td>1/2</td> <td>2900</td> <td>1\"/&gt;  <tr> <td>U-39</td> <td>"</td> <td>"</td> <td>V-675</td> <td>122</td> <td>1/2</td> <td>2900</td> <td>1\"/&gt;  <tr> <td>U-40</td> <td>"</td> <td>"</td> <td>V-675</td> <td>122</td> <td>1/2</td> <td>2900</td> <td>1\"/&gt;  <tr> <td>U-41</td> <td>"</td> <td>"</td> <td>V-675</td> <td>122</td> <td>1/2</td> <td>2900</td> <td>1\"/&gt;  <tr> <td>U-42</td> <td>"</td> <td>"</td> <td>V-675</td> <td>122</td> <td>1/2</td> <td>2900</td> <td>1\"/&gt;  <tr> <td>U-43</td> <td>"</td> <td>"</td> <td>V-675</td> <td>122</td> <td>1/2</td> <td>2900</td> <td>1\"/&gt;  <tr> <td>U-44</td> <td>"</td> <td>"</td> <td>V-675</td> <td>122</td> <td>1/2</td> <td>2900</td> <td>1\"/&gt;  <tr> <td>U-45</td> <td>"</td> <td>"</td> <td>V-675</td> <td>122</td> <td>1/2</td> <td>2900</td> <td>1\"/&gt;  <tr> <td>U-46</td> <td>"</td> <td>"</td> <td>V-675</td> <td>122</td> <td>1/2</td> <td>2900</td> <td>1\"/&gt;  <tr> <td>U-47</td> <td>"</td> <td>"</td> <td>V-675</td> <td>122</td> <td>1/2</td> <td>2900</td> <td>1\"/&gt;  <tr> <td>U-48</td> <td>"</td> <td>"</td> <td>V-675</td> <td>122</td> <td>1/2</td> <td>2900</td> <td>1\"/&gt;  <tr> <td>U-49</td> <td>"</td> <td>"</td> <td>V-675</td> <td>122</td> <td>1/2</td> <td>2900</td> <td>1\"/&gt;  <tr> <td>U-50</td> <td>"</td> <td>"</td> <td>V-675</td> <td>122</td> <td>1/2</td> <td>2900</td> <td>1\"/&gt;  </td></tr></td></tr></td></tr></td></tr></td></tr></td></tr></td></tr></td></tr></td></tr></td></tr></td></tr></td></tr></td></tr>   
   | U-38 | " | " | V-675 | 122 | 1/2 | 2900 | 1\"/> <tr> <td>U-39</td> <td>"</td> <td>"</td> <td>V-675</td> <td>122</td> <td>1/2</td> <td>2900</td> <td>1\"/&gt;  <tr> <td>U-40</td> <td>"</td> <td>"</td> <td>V-675</td> <td>122</td> <td>1/2</td> <td>2900</td> <td>1\"/&gt;  <tr> <td>U-41</td> <td>"</td> <td>"</td> <td>V-675</td> <td>122</td> <td>1/2</td> <td>2900</td> <td>1\"/&gt;  <tr> <td>U-42</td> <td>"</td> <td>"</td> <td>V-675</td> <td>122</td> <td>1/2</td> <td>2900</td> <td>1\"/&gt;  <tr> <td>U-43</td> <td>"</td> <td>"</td> <td>V-675</td> <td>122</td> <td>1/2</td> <td>2900</td> <td>1\"/&gt;  <tr> <td>U-44</td> <td>"</td> <td>"</td> <td>V-675</td> <td>122</td> <td>1/2</td> <td>2900</td> <td>1\"/&gt;  <tr> <td>U-45</td> <td>"</td> <td>"</td> <td>V-675</td> <td>122</td> <td>1/2</td> <td>2900</td> <td>1\"/&gt;  <tr> <td>U-46</td> <td>"</td> <td>"</td> <td>V-675</td> <td>122</td> <td>1/2</td> <td>2900</td> <td>1\"/&gt;  <tr> <td>U-47</td> <td>"</td> <td>"</td> <td>V-675</td> <td>122</td> <td>1/2</td> <td>2900</td> <td>1\"/&gt;  <tr> <td>U-48</td> <td>"</td> <td>"</td> <td>V-675</td> <td>122</td> <td>1/2</td> <td>2900</td> <td>1\"/&gt;  <tr> <td>U-49</td> <td>"</td> <td>"</td> <td>V-675</td> <td>122</td> <td>1/2</td> <td>2900</td> <td>1\"/&gt;  <tr> <td>U-50</td> <td>"</td> <td>"</td> <td>V-675</td> <td>122</td> <td>1/2</td> <td>2900</td> <td>1\"/&gt;  </td></tr></td></tr></td></tr></td></tr></td></tr></td></tr></td></tr></td></tr></td></tr></td></tr></td></tr></td></tr>  | U-39 | " | " | V-675 | 122 | 1/2 | 2900 | 1\"/> <tr> <td>U-40</td> <td>"</td> <td>"</td> <td>V-675</td> <td>122</td> <td>1/2</td> <td>2900</td> <td>1\"/&gt;  <tr> <td>U-41</td> <td>"</td> <td>"</td> <td>V-675</td> <td>122</td> <td>1/2</td> <td>2900</td> <td>1\"/&gt;  <tr> <td>U-42</td> <td>"</td> <td>"</td> <td>V-675</td> <td>122</td> <td>1/2</td> <td>2900</td> <td>1\"/&gt;  <tr> <td>U-43</td> <td>"</td> <td>"</td> <td>V-675</td> <td>122</td> <td>1/2</td> <td>2900</td> <td>1\"/&gt;  <tr> <td>U-44</td> <td>"</td> <td>"</td> <td>V-675</td> <td>122</td> <td>1/2</td> <td>2900</td> <td>1\"/&gt;  <tr> <td>U-45</td> <td>"</td> <td>"</td> <td>V-675</td> <td>122</td> <td>1/2</td> <td>2900</td> <td>1\"/&gt;  <tr> <td>U-46</td> <td>"</td> <td>"</td> <td>V-675</td> <td>122</td> <td>1/2</td> <td>2900</td> <td>1\"/&gt;  <tr> <td>U-47</td> <td>"</td> <td>"</td> <td>V-675</td> <td>122</td> <td>1/2</td> <td>2900</td> <td>1\"/&gt;  <tr> <td>U-48</td> <td>"</td> <td>"</td> <td>V-675</td> <td>122</td> <td>1/2</td> <td>2900</td> <td>1\"/&gt;  <tr> <td>U-49</td> <td>"</td> <td>"</td> <td>V-675</td> <td>122</td> <td>1/2</td> <td>2900</td> <td>1\"/&gt;  <tr> <td>U-50</td> <td>"</td> <td>"</td> <td>V-675</td> <td>122</td> <td>1/2</td> <td>2900</td> <td>1\"/&gt;  </td></tr></td></tr></td></tr></td></tr></td></tr></td></tr></td></tr></td></tr></td></tr></td></tr></td></tr>  
  | U-40 | " | " | V-675 | 122 | 1/2 | 2900 | 1\"/> <tr> <td>U-41</td> <td>"</td> <td>"</td> <td>V-675</td> <td>122</td> <td>1/2</td> <td>2900</td> <td>1\"/&gt;  <tr> <td>U-42</td> <td>"</td> <td>"</td> <td>V-675</td> <td>122</td> <td>1/2</td> <td>2900</td> <td>1\"/&gt;  <tr> <td>U-43</td> <td>"</td> <td>"</td> <td>V-675</td> <td>122</td> <td>1/2</td> <td>2900</td> <td>1\"/&gt;  <tr> <td>U-44</td> <td>"</td> <td>"</td> <td>V-675</td> <td>122</td> <td>1/2</td> <td>2900</td> <td>1\"/&gt;  <tr> <td>U-45</td> <td>"</td> <td>"</td> <td>V-675</td> <td>122</td> <td>1/2</td> <td>2900</td> <td>1\"/&gt;  <tr> <td>U-46</td> <td>"</td> <td>"</td> <td>V-675</td> <td>122</td> <td>1/2</td> <td>2900</td> <td>1\"/&gt;  <tr> <td>U-47</td> <td>"</td> <td>"</td> <td>V-675</td> <td>122</td> <td>1/2</td> <td>2900</td> <td>1\"/&gt;  <tr> <td>U-48</td> <td>"</td> <td>"</td> <td>V-675</td> <td>122</td> <td>1/2</td> <td>2900</td> <td>1\"/&gt;  <tr> <td>U-49</td> <td>"</td> <td>"</td> <td>V-675</td> <td>122</td> <td>1/2</td> <td>2900</td> <td>1\"/&gt;  <tr> <td>U-50</td> <td>"</td> <td>"</td> <td>V-675</td> <td>122</td> <td>1/2</td> <td>2900</td> <td>1\"/&gt;  </td></tr></td></tr></td></tr></td></tr></td></tr></td></tr></td></tr></td></tr></td></tr></td></tr>   | U-41 | " | " | V-675 | 122 | 1/2 | 2900 | 1\"/> <tr> <td>U-42</td> <td>"</td> <td>"</td> <td>V-675</td> <td>122</td> <td>1/2</td> <td>2900</td> <td>1\"/&gt;  <tr> <td>U-43</td> <td>"</td> <td>"</td> <td>V-675</td> <td>122</td> <td>1/2</td> <td>2900</td> <td>1\"/&gt;  <tr> <td>U-44</td> <td>"</td> <td>"</td> <td>V-675</td> <td>122</td> <td>1/2</td> <td>2900</td> <td>1\"/&gt;  <tr> <td>U-45</td> <td>"</td> <td>"</td> <td>V-675</td> <td>122</td> <td>1/2</td> <td>2900</td> <td>1\"/&gt;  <tr> <td>U-46</td> <td>"</td> <td>"</td> <td>V-675</td> <td>122</td> <td>1/2</td> <td>2900</td> <td>1\"/&gt;  <tr> <td>U-47</td> <td>"</td> <td>"</td> <td>V-675</td> <td>122</td> <td>1/2</td> <td>2900</td> <td>1\"/&gt;  <tr> <td>U-48</td> <td>"</td> <td>"</td> <td>V-675</td> <td>122</td> <td>1/2</td> <td>2900</td> <td>1\"/&gt;  <tr> <td>U-49</td> <td>"</td> <td>"</td> <td>V-675</td> <td>122</td> <td>1/2</td> <td>2900</td> <td>1\"/&gt;  <tr> <td>U-50</td> <td>"</td> <td>"</td> <td>V-675</td> <td>122</td> <td>1/2</td> <td>2900</td> <td>1\"/&gt;  </td></tr></td></tr></td></tr></td></tr></td></tr></td></tr></td></tr></td></tr></td></tr>  
  | U-42 | " | " | V-675 | 122 | 1/2 | 2900 | 1\"/> <tr> <td>U-43</td> <td>"</td> <td>"</td> <td>V-675</td> <td>122</td> <td>1/2</td> <td>2900</td> <td>1\"/&gt;  <tr> <td>U-44</td> <td>"</td> <td>"</td> <td>V-675</td> <td>122</td> <td>1/2</td> <td>2900</td> <td>1\"/&gt;  <tr> <td>U-45</td> <td>"</td> <td>"</td> <td>V-675</td> <td>122</td> <td>1/2</td> <td>2900</td> <td>1\"/&gt;  <tr> <td>U-46</td> <td>"</td> <td>"</td> <td>V-675</td> <td>122</td> <td>1/2</td> <td>2900</td> <td>1\"/&gt;  <tr> <td>U-47</td> <td>"</td> <td>"</td> <td>V-675</td> <td>122</td> <td>1/2</td> <td>2900</td> <td>1\"/&gt;  <tr> <td>U-48</td> <td>"</td> <td>"</td> <td>V-675</td> <td>122</td> <td>1/2</td> <td>2900</td> <td>1\"/&gt;  <tr> <td>U-49</td> <td>"</td> <td>"</td> <td>V-675</td> <td>122</td> <td>1/2</td> <td>2900</td> <td>1\"/&gt;  <tr> <td>U-50</td> <td>"</td> <td>"</td> <td>V-675</td> <td>122</td> <td>1/2</td> <td>2900</td> <td>1\"/&gt;  </td></tr></td></tr></td></tr></td></tr></td></tr></td></tr></td></tr></td></tr>   | U-43 | " | " | V-675 | 122 | 1/2 | 2900 | 1\"/> <tr> <td>U-44</td> <td>"</td> <td>"</td> <td>V-675</td> <td>122</td> <td>1/2</td> <td>2900</td> <td>1\"/&gt;  <tr> <td>U-45</td> <td>"</td> <td>"</td> <td>V-675</td> <td>122</td> <td>1/2</td> <td>2900</td> <td>1\"/&gt;  <tr> <td>U-46</td> <td>"</td> <td>"</td> <td>V-675</td> <td>122</td> <td>1/2</td> <td>2900</td> <td>1\"/&gt;  <tr> <td>U-47</td> <td>"</td> <td>"</td> <td>V-675</td> <td>122</td> <td>1/2</td> <td>2900</td> <td>1\"/&gt;  <tr> <td>U-48</td> <td>"</td> <td>"</td> <td>V-675</td> <td>122</td> <td>1/2</td> <td>2900</td> <td>1\"/&gt;  <tr> <td>U-49</td> <td>"</td> <td>"</td> <td>V-675</td> <td>122</td> <td>1/2</td> <td>2900</td> <td>1\"/&gt;  <tr> <td>U-50</td> <td>"</td> <td>"</td> <td>V-675</td> <td>122</td> <td>1/2</td> <td>2900</td> <td>1\"/&gt;  </td></tr></td></tr></td></tr></td></tr></td></tr></td></tr></td></tr>  
  | U-44 | " | " | V-675 | 122 | 1/2 | 2900 | 1\"/> <tr> <td>U-45</td> <td>"</td> <td>"</td> <td>V-675</td> <td>122</td> <td>1/2</td> <td>2900</td> <td>1\"/&gt;  <tr> <td>U-46</td> <td>"</td> <td>"</td> <td>V-675</td> <td>122</td> <td>1/2</td> <td>2900</td> <td>1\"/&gt;  <tr> <td>U-47</td> <td>"</td> <td>"</td> <td>V-675</td> <td>122</td> <td>1/2</td> <td>2900</td> <td>1\"/&gt;  <tr> <td>U-48</td> <td>"</td> <td>"</td> <td>V-675</td> <td>122</td> <td>1/2</td> <td>2900</td> <td>1\"/&gt;  <tr> <td>U-49</td> <td>"</td> <td>"</td> <td>V-675</td> <td>122</td> <td>1/2</td> <td>2900</td> <td>1\"/&gt;  <tr> <td>U-50</td> <td>"</td> <td>"</td> <td>V-675</td> <td>122</td> <td>1/2</td> <td>2900</td> <td>1\"/&gt;  </td></tr></td></tr></td></tr></td></tr></td></tr></td></tr>   | U-45 | " | " | V-675 | 122 | 1/2 | 2900 | 1\"/> <tr> <td>U-46</td> <td>"</td> <td>"</td> <td>V-675</td> <td>122</td> <td>1/2</td> <td>2900</td> <td>1\"/&gt;  <tr> <td>U-47</td> <td>"</td> <td>"</td> <td>V-675</td> <td>122</td> <td>1/2</td> <td>2900</td> <td>1\"/&gt;  <tr> <td>U-48</td> <td>"</td> <td>"</td> <td>V-675</td> <td>122</td> <td>1/2</td> <td>2900</td> <td>1\"/&gt;  <tr> <td>U-49</td> <td>"</td> <td>"</td> <td>V-675</td> <td>122</td> <td>1/2</td> <td>2900</td> <td>1\"/&gt;  <tr> <td>U-50</td> <td>"</td> <td>"</td> <td>V-675</td> <td>122</td> <td>1/2</td> <td>2900</td> <td>1\"/&gt;  </td></tr></td></tr></td></tr></td></tr></td></tr>  
  | U-46 | " | " | V-675 | 122 | 1/2 | 2900 | 1\"/> <tr> <td>U-47</td> <td>"</td> <td>"</td> <td>V-675</td> <td>122</td> <td>1/2</td> <td>2900</td> <td>1\"/&gt;  <tr> <td>U-48</td> <td>"</td> <td>"</td> <td>V-675</td> <td>122</td> <td>1/2</td> <td>2900</td> <td>1\"/&gt;  <tr> <td>U-49</td> <td>"</td> <td>"</td> <td>V-675</td> <td>122</td> <td>1/2</td> <td>2900</td> <td>1\"/&gt;  <tr> <td>U-50</td> <td>"</td> <td>"</td> <td>V-675</td> <td>122</td> <td>1/2</td> <td>2900</td> <td>1\"/&gt;  </td></tr></td></tr></td></tr></td></tr>   | U-47 | " | " | V-675 | 122 | 1/2 | 2900 | 1\"/> <tr> <td>U-48</td> <td>"</td> <td>"</td> <td>V-675</td> <td>122</td> <td>1/2</td> <td>2900</td> <td>1\"/&gt;  <tr> <td>U-49</td> <td>"</td> <td>"</td> <td>V-675</td> <td>122</td> <td>1/2</td> <td>2900</td> <td>1\"/&gt;  <tr> <td>U-50</td> <td>"</td> <td>"</td> <td>V-675</td> <td>122</td> <td>1/2</td> <td>2900</td> <td>1\"/&gt;  </td></tr></td></tr></td></tr>   | U-48 | " | " | V-675 | 122 | 1/2 | 2900 | 1\"/> <tr> <td>U-49</td> <td>"</td> <td>"</td> <td>V-675</td> <td>122</td> <td>1/2</td> <td>2900</td> <td>1\"/&gt;  <tr> <td>U-50</td> <td>"</td> <td>"</td> <td>V-675</td> <td>122</td> <td>1/2</td> <td>2900</td> <td>1\"/&gt;  </td></tr></td></tr>   
   | U-49 | " | " | V-675 | 122 | 1/2 | 2900 | 1\"/> <tr> <td>U-50</td> <td>"</td> <td>"</td> <td>V-675</td> <td>122</td> <td>1/2</td> <td>2900</td> <td>1\"/&gt;  </td></tr>   | U-50 | " | " | V-675 | 122 | 1/2 | 2900 | 1\"/>  
   |      |   |   |       |     |     |      |  |      |   |   |       |     |     |      |  |      |   |   |       |     |     |      | | | | | | | | | | | | | | | | | | | | | | | | | | | | | | | | | | | | | | | | | |
  |      |   |   |       |     |     |      |  |      |   |   |       |     |     |      |  |      |   |   |       |     |     |      |  |      |   |   |       |     |     |      |   
  |      |   |   |       |     |     |      |  |      |   |   |       |     |     |      |  |      |   |   |       |     |     |      |  
   |      |   |   |       |     |     |      |  |      |   |   |       |     |     |      |  |      |   |   |       |     |     |      |  |      |   |   |       |     |     |      |  |      |   |   |       |     |     |      |   
  |      |   |   |       |     |     |      |  |      |   |   |       |     |     |      |  |      |   |   |       |     |     |      |  |      |   |   |       |     |     |      |  |      |   |   |       |     |     |      |  |      |   |   |       |     |     |      |  |      |   |   |       |     |     |      |  
   |      |   |   |       |     |     |      |  |      |   |   |       |     |     |      |  |      |   |   |       |     |     |      |  |      |   |   |       |     |     |      |  |      |   |   |       |     |     |      |  |      |   |   |       |     |     |      |  |      |   |   |       |     |     |      |  |      |   |   |       |     |     |      |       |
| U-26 | "             | "                       | V-675    | 122  | 1/2           | 2900    | 1\"/> <tr> <td>U-27</td> <td>"</td> <td>"</td> <td>V-675</td> <td>122</td> <td>1/2</td> <td>2900</td> <td>1\"/&gt;  <tr> <td>U-28</td> <td>"</td> <td>"</td> <td>V-675</td> <td>122</td> <td>1/2</td> <td>2900</td> <td>1\"/&gt;  <tr> <td>U-29</td> <td>"</td> <td>"</td> <td>V-675</td> <td>122</td> <td>1/2</td> <td>2900</td> <td>1\"/&gt;  <tr> <td>U-30</td> <td>"</td> <td>"</td> <td>V-675</td> <td>122</td> <td>1/2</td> <td>2900</td> <td>1\"/&gt;  <tr> <td>U-31</td> <td>"</td> <td>"</td> <td>V-675</td> <td>122</td> <td>1/2</td> <td>2900</td> <td>1\"/&gt;  <tr> <td>U-32</td> <td>"</td> <td>"</td> <td>V-675</td> <td>122</td> <td>1/2</td> <td>2900</td> <td>1\"/&gt;  <tr> <td>U-33</td> <td>"</td> <td>"</td> <td>V-675</td> <td>122</td> <td>1/2</td> <td>2900</td> <td>1\"/&gt;  <tr> <td>U-34</td> <td>"</td> <td>"</td> <td>V-675</td> <td>122</td> <td>1/2</td> <td>2900</td> <td>1\"/&gt;  <tr> <td>U-35</td> <td>"</td> <td>"</td> <td>V-675</td> <td>122</td> <td>1/2</td> <td>2900</td> <td>1\"/&gt;  <tr> <td>U-36</td> <td>"</td> <td>"</td> <td>V-675</td> <td>122</td> <td>1/2</td> <td>2900</td> <td>1\"/&gt;  <tr> <td>U-37</td> <td>"</td> <td>"</td> <td>V-675</td> <td>122</td> <td>1/2</td> <td>2900</td> <td>1\"/&gt;  <tr> <td>U-38</td> <td>"</td> <td>"</td> <td>V-675</td> <td>122</td> <td>1/2</td> <td>2900</td> <td>1\"/&gt;  <tr> <td>U-39</td> <td>"</td> <td>"</td> <td>V-675</td> <td>122</td> <td>1/2</td> <td>2900</td> <td>1\"/&gt;  <tr> <td>U-40</td> <td>"</td> <td>"</td> <td>V-675</td> <td>122</td> <td>1/2</td> <td>2900</td> <td>1\"/&gt;  <tr> <td>U-41</td> <td>"</td> <td>"</td> <td>V-675</td> <td>122</td> <td>1/2</td> <td>2900</td> <td>1\"/&gt;  <tr> <td>U-42</td> <td>"</td> <td>"</td> <td>V-675</td> <td>122</td> <td>1/2</td> <td>2900</td> <td>1\"/&gt;  <tr> <td>U-43</td> <td>"</td> <td>"</td> <td>V-675</td> <td>122</td> <td>1/2</td> <td>2900</td> <td>1\"/&gt;  <tr> <td>U-44</td> <td>"</td> <td>"</td> <td>V-675</td> <td>122</td> <td>1/2</td> <td>2900</td> <td>1\"/&gt;  <tr> <td>U-45</td> <td>"</td> <td>"</td> <td>V-675</td> <td>122</td> <td>1/2</td> <td>2900</td> <td>1\"/&gt;  <tr> <td>U-46</td> <td>"</td> <td>"</td> <td>V-675</td> <td>122</td> <td>1/2</td> <td>2900</td> <td>1\"/&gt;  <tr> <td>U-47</td> <td>"</td> <td>"</td> <td>V-675</td> <td>122</td> <td>1/2</td> <td>2900</td> <td>1\"/&gt;  <tr> <td>U-48</td> <td>"</td> <td>"</td> <td>V-675</td> <td>122</td> <td>1/2</td> <td>2900</td> <td>1\"/&gt;  <tr> <td>U-49</td> <td>"</td> <td>"</td> <td>V-675</td> <td>122</td> <td>1/2</td> <td>2900</td> <td>1\"/&gt;  <tr> <td>U-50</td> <td>"</td> <td>"</td> <td>V-675</td> <td>122</td> <td>1/2</td> <td>2900</td> <td>1\"/&gt;  </td></tr></td></tr></td></tr></td></tr></td></tr></td></tr></td></tr></td></tr></td></tr></td></tr></td></tr></td></tr></td></tr></td></tr></td></tr></td></tr></td></tr></td></tr></td></tr></td></tr></td></tr></td></tr></td></tr></td></tr>  | U-27 | " | " | V-675  | 122  | 1/2 | 2900   | 1\"/> <tr> <td>U-28</td> <td>"</td> <td>"</td> <td>V-675</td> <td>122</td> <td>1/2</td> <td>2900</td> <td>1\"/&gt;  <tr> <td>U-29</td> <td>"</td> <td>"</td> <td>V-675</td> <td>122</td> <td>1/2</td> <td>2900</td> <td>1\"/&gt;  <tr> <td>U-30</td> <td>"</td> <td>"</td> <td>V-675</td> <td>122</td> <td>1/2</td> <td>2900</td> <td>1\"/&gt;  <tr> <td>U-31</td> <td>"</td> <td>"</td> <td>V-675</td> <td>122</td> <td>1/2</td> <td>2900</td> <td>1\"/&gt;  <tr> <td>U-32</td> <td>"</td> <td>"</td> <td>V-675</td> <td>122</td> <td>1/2</td> <td>2900</td> <td>1\"/&gt;  <tr> <td>U-33</td> <td>"</td> <td>"</td> <td>V-675</td> <td>122</td> <td>1/2</td> <td>2900</td> <td>1\"/&gt;  <tr> <td>U-34</td> <td>"</td> <td>"</td> <td>V-675</td> <td>122</td> <td>1/2</td> <td>2900</td> <td>1\"/&gt;  <tr> <td>U-35</td> <td>"</td> <td>"</td> <td>V-675</td> <td>122</td> <td>1/2</td> <td>2900</td> <td>1\"/&gt;  <tr> <td>U-36</td> <td>"</td> <td>"</td> <td>V-675</td> <td>122</td> <td>1/2</td> <td>2900</td> <td>1\"/&gt;  <tr> <td>U-37</td> <td>"</td> <td>"</td> <td>V-675</td> <td>122</td> <td>1/2</td> <td>2900</td> <td>1\"/&gt;  <tr> <td>U-38</td> <td>"</td> <td>"</td> <td>V-675</td> <td>122</td> <td>1/2</td> <td>2900</td> <td>1\"/&gt;  <tr> <td>U-39</td> <td>"</td> <td>"</td> <td>V-675</td> <td>122</td> <td>1/2</td> <td>2900</td> <td>1\"/&gt;  <tr> <td>U-40</td> <td>"</td> <td>"</td> <td>V-675</td> <td>122</td> <td>1/2</td> <td>2900</td> <td>1\"/&gt;  <tr> <td>U-41</td> <td>"</td> <td>"</td> <td>V-675</td> <td>122</td> <td>1/2</td> <td>2900</td> <td>1\"/&gt;  <tr> <td>U-42</td> <td>"</td> <td>"</td> <td>V-675</td> <td>122</td> <td>1/2</td> <td>2900</td> <td>1\"/&gt;  <tr> <td>U-43</td> <td>"</td> <td>"</td> <td>V-675</td> <td>122</td> <td>1/2</td> <td>2900</td> <td>1\"/&gt;  <tr> <td>U-44</td> <td>"</td> <td>"</td> <td>V-675</td> <td>122</td> <td>1/2</td> <td>2900</td> <td>1\"/&gt;  <tr> <td>U-45</td> <td>"</td> <td>"</td> <td>V-675</td> <td>122</td> <td>1/2</td> <td>2900</td> <td>1\"/&gt;  <tr> <td>U-46</td> <td>"</td> <td>"</td> <td>V-675</td> <td>122</td> <td>1/2</td> <td>2900</td> <td>1\"/&gt;  <tr> <td>U-47</td> <td>"</td> <td>"</td> <td>V-675</td> <td>122</td> <td>1/2</td> <td>2900</td> <td>1\"/&gt;  <tr> <td>U-48</td> <td>"</td> <td>"</td> <td>V-675</td> <td>122</td> <td>1/2</td> <td>2900</td> <td>1\"/&gt;  <tr> <td>U-49</td> <td>"</td> <td>"</td> <td>V-675</td> <td>122</td> <td>1/2</td> <td>2900</td> <td>1\"/&gt;  <tr> <td>U-50</td> <td>"</td> <td>"</td> <td>V-675</td> <td>122</td> <td>1/2</td> <td>2900</td> <td>1\"/&gt;  </td></tr></td></tr></td></tr></td></tr></td></tr></td></tr></td></tr></td></tr></td></tr></td></tr></td></tr></td></tr></td></tr></td></tr></td></tr></td></tr></td></tr></td></tr></td></tr></td></tr></td></tr></td></tr></td></tr>  
  | U-28 | " | " | V-675  | 122 | 1/2 | 2900   | 1\"/> <tr> <td>U-29</td> <td>"</td> <td>"</td> <td>V-675</td> <td>122</td> <td>1/2</td> <td>2900</td> <td>1\"/&gt;  <tr> <td>U-30</td> <td>"</td> <td>"</td> <td>V-675</td> <td>122</td> <td>1/2</td> <td>2900</td> <td>1\"/&gt;  <tr> <td>U-31</td> <td>"</td> <td>"</td> <td>V-675</td> <td>122</td> <td>1/2</td> <td>2900</td> <td>1\"/&gt;  <tr> <td>U-32</td> <td>"</td> <td>"</td> <td>V-675</td> <td>122</td> <td>1/2</td> <td>2900</td> <td>1\"/&gt;  <tr> <td>U-33</td> <td>"</td> <td>"</td> <td>V-675</td> <td>122</td> <td>1/2</td> <td>2900</td> <td>1\"/&gt;  <tr> <td>U-34</td> <td>"</td> <td>"</td> <td>V-675</td> <td>122</td> <td>1/2</td> <td>2900</td> <td>1\"/&gt;  <tr> <td>U-35</td> <td>"</td> <td>"</td> <td>V-675</td> <td>122</td> <td>1/2</td> <td>2900</td> <td>1\"/&gt;  <tr> <td>U-36</td> <td>"</td> <td>"</td> <td>V-675</td> <td>122</td> <td>1/2</td> <td>2900</td> <td>1\"/&gt;  <tr> <td>U-37</td> <td>"</td> <td>"</td> <td>V-675</td> <td>122</td> <td>1/2</td> <td>2900</td> <td>1\"/&gt;  <tr> <td>U-38</td> <td>"</td> <td>"</td> <td>V-675</td> <td>122</td> <td>1/2</td> <td>2900</td> <td>1\"/&gt;  <tr> <td>U-39</td> <td>"</td> <td>"</td> <td>V-675</td> <td>122</td> <td>1/2</td> <td>2900</td> <td>1\"/&gt;  <tr> <td>U-40</td> <td>"</td> <td>"</td> <td>V-675</td> <td>122</td> <td>1/2</td> <td>2900</td> <td>1\"/&gt;  <tr> <td>U-41</td> <td>"</td> <td>"</td> <td>V-675</td> <td>122</td> <td>1/2</td> <td>2900</td> <td>1\"/&gt;  <tr> <td>U-42</td> <td>"</td> <td>"</td> <td>V-675</td> <td>122</td> <td>1/2</td> <td>2900</td> <td>1\"/&gt;  <tr> <td>U-43</td> <td>"</td> <td>"</td> <td>V-675</td> <td>122</td> <td>1/2</td> <td>2900</td> <td>1\"/&gt;  <tr> <td>U-44</td> <td>"</td> <td>"</td> <td>V-675</td> <td>122</td> <td>1/2</td> <td>2900</td> <td>1\"/&gt;  <tr> <td>U-45</td> <td>"</td> <td>"</td> <td>V-675</td> <td>122</td> <td>1/2</td> <td>2900</td> <td>1\"/&gt;  <tr> <td>U-46</td> <td>"</td> <td>"</td> <td>V-675</td> <td>122</td> <td>1/2</td> <td>2900</td> <td>1\"/&gt;  <tr> <td>U-47</td> <td>"</td> <td>"</td> <td>V-675</td> <td>122</td> <td>1/2</td> <td>2900</td> <td>1\"/&gt;  <tr> <td>U-48</td> <td>"</td> <td>"</td> <td>V-675</td> <td>122</td> <td>1/2</td> <td>2900</td> <td>1\"/&gt;  <tr> <td>U-49</td> <td>"</td> <td>"</td> <td>V-675</td> <td>122</td> <td>1/2</td> <td>2900</td> <td>1\"/&gt;  <tr> <td>U-50</td> <td>"</td> <td>"</td> <td>V-675</td> <td>122</td> <td>1/2</td> <td>2900</td> <td>1\"/&gt;  </td></tr></td></tr></td></tr></td></tr></td></tr></td></tr></td></tr></td></tr></td></tr></td></tr></td></tr></td></tr></td></tr></td></tr></td></tr></td></tr></td></tr></td></tr></td></tr></td></tr></td></tr></td></tr>   | U-29 | " | " | V-675 | 122 | 1/2 | 2900    | 1\"/> <tr> <td>U-30</td> <td>"</td> <td>"</td> <td>V-675</td> <td>122</td> <td>1/2</td> <td>2900</td> <td>1\"/&gt;  <tr> <td>U-31</td> <td>"</td> <td>"</td> <td>V-675</td> <td>122</td> <td>1/2</td> <td>2900</td> <td>1\"/&gt;  <tr> <td>U-32</td> <td>"</td> <td>"</td> <td>V-675</td> <td>122</td> <td>1/2</td> <td>2900</td> <td>1\"/&gt;  <tr> <td>U-33</td> <td>"</td> <td>"</td> <td>V-675</td> <td>122</td> <td>1/2</td> <td>2900</td> <td>1\"/&gt;  <tr> <td>U-34</td> <td>"</td> <td>"</td> <td>V-675</td> <td>122</td> <td>1/2</td> <td>2900</td> <td>1\"/&gt;  <tr> <td>U-35</td> <td>"</td> <td>"</td> <td>V-675</td> <td>122</td> <td>1/2</td> <td>2900</td> <td>1\"/&gt;  <tr> <td>U-36</td> <td>"</td> <td>"</td> <td>V-675</td> <td>122</td> <td>1/2</td> <td>2900</td> <td>1\"/&gt;  <tr> <td>U-37</td> <td>"</td> <td>"</td> <td>V-675</td> <td>122</td> <td>1/2</td> <td>2900</td> <td>1\"/&gt;  <tr> <td>U-38</td> <td>"</td> <td>"</td> <td>V-675</td> <td>122</td> <td>1/2</td> <td>2900</td> <td>1\"/&gt;  <tr> <td>U-39</td> <td>"</td> <td>"</td> <td>V-675</td> <td>122</td> <td>1/2</td> <td>2900</td> <td>1\"/&gt;  <tr> <td>U-40</td> <td>"</td> <td>"</td> <td>V-675</td> <td>122</td> <td>1/2</td> <td>2900</td> <td>1\"/&gt;  <tr> <td>U-41</td> <td>"</td> <td>"</td> <td>V-675</td> <td>122</td> <td>1/2</td> <td>2900</td> <td>1\"/&gt;  <tr> <td>U-42</td> <td>"</td> <td>"</td> <td>V-675</td> <td>122</td> <td>1/2</td> <td>2900</td> <td>1\"/&gt;  <tr> <td>U-43</td> <td>"</td> <td>"</td> <td>V-675</td> <td>122</td> <td>1/2</td> <td>2900</td> <td>1\"/&gt;  <tr> <td>U-44</td> <td>"</td> <td>"</td> <td>V-675</td> <td>122</td> <td>1/2</td> <td>2900</td> <td>1\"/&gt;  <tr> <td>U-45</td> <td>"</td> <td>"</td> <td>V-675</td> <td>122</td> <td>1/2</td> <td>2900</td> <td>1\"/&gt;  <tr> <td>U-46</td> <td>"</td> <td>"</td>
<td>V-675</td> <td>122</td> <td>1/2</td> <td>2900</td> <td>1\"/&gt;  <tr> <td>U-47</td> <td>"</td> <td>"</td> <td>V-675</td> <td>122</td> <td>1/2</td> <td>2900</td> <td>1\"/&gt;  <tr> <td>U-48</td> <td>"</td> <td>"</td> <td>V-675</td> <td>122</td> <td>1/2</td> <td>2900</td> <td>1\"/&gt;  <tr> <td>U-49</td> <td>"</td> <td>"</td> <td>V-675</td> <td>122</td> <td>1/2</td> <td>2900</td> <td>1\"/&gt;  <tr> <td>U-50</td> <td>"</td> <td>"</td> <td>V-675</td> <td>122</td> <td>1/2</td> <td>2900</td> <td>1\"/&gt;  </td></tr></td></tr></td></tr></td></tr></td></tr></td></tr></td></tr></td></tr></td></tr></td></tr></td></tr></td></tr></td></tr></td></tr></td></tr></td></tr></td></tr></td></tr></td></tr></td></tr></td></tr>  | U-30 | " | " | V-675 | 122 | 1/2 | 2900   | 1\"/> <tr> <td>U-31</td> <td>"</td> <td>"</td> <td>V-675</td> <td>122</td> <td>1/2</td> <td>2900</td> <td>1\"/&gt;  <tr> <td>U-32</td> <td>"</td> <td>"</td> <td>V-675</td> <td>122</td> <td>1/2</td> <td>2900</td> <td>1\"/&gt;  <tr> <td>U-33</td> <td>"</td> <td>"</td> <td>V-675</td> <td>122</td> <td>1/2</td> <td>2900</td> <td>1\"/&gt;  <tr> <td>U-34</td> <td>"</td> <td>"</td> <td>V-675</td> <td>122</td> <td>1/2</td> <td>2900</td> <td>1\"/&gt;  <tr> <td>U-35</td> <td>"</td> <td>"</td> <td>V-675</td> <td>122</td> <td>1/2</td> <td>2900</td> <td>1\"/&gt;  <tr> <td>U-36</td> <td>"</td> <td>"</td> <td>V-675</td> <td>122</td> <td>1/2</td> <td>2900</td> <td>1\"/&gt;  <tr> <td>U-37</td> <td>"</td> <td>"</td> <td>V-675</td> <td>122</td> <td>1/2</td> <td>2900</td> <td>1\"/&gt;  <tr> <td>U-38</td> <td>"</td> <td>"</td> <td>V-675</td> <td>122</td> <td>1/2</td> <td>2900</td> <td>1\"/&gt;  <tr> <td>U-39</td> <td>"</td> <td>"</td> <td>V-675</td> <td>122</td> <td>1/2</td> <td>2900</td> <td>1\"/&gt;  <tr> <td>U-40</td> <td>"</td> <td>"</td> <td>V-675</td> <td>122</td> <td>1/2</td> <td>2900</td> <td>1\"/&gt;  <tr> <td>U-41</td> <td>"</td> <td>"</td> <td>V-675</td> <td>122</td> <td>1/2</td> <td>2900</td> <td>1\"/&gt;  <tr> <td>U-42</td> <td>"</td> <td>"</td> <td>V-675</td> <td>122</td> <td>1/2</td> <td>2900</td> <td>1\"/&gt;  <tr> <td>U-43</td> <td>"</td> <td>"</td> <td>V-675</td> <td>122</td> <td>1/2</td> <td>2900</td> <td>1\"/&gt;  <tr> <td>U-44</td> <td>"</td> <td>"</td> <td>V-675</td> <td>122</td> <td>1/2</td> <td>2900</td> <td>1\"/&gt;  <tr> <td>U-45</td> <td>"</td> <td>"</td> <td>V-675</td> <td>122</td> <td>1/2</td> <td>2900</td> <td>1\"/&gt;  <tr> <td>U-46</td> <td>"</td> <td>"</td> <td>V-675</td> <td>122</td> <td>1/2</td> <td>2900</td> <td>1\"/&gt;  <tr> <td>U-47</td> <td>"</td> <td>"</td> <td>V-675</td> <td>122</td> <td>1/2</td> <td>2900</td> <td>1\"/&gt;  <tr> <td>U-48</td> <td>"</td> <td>"</td> <td>V-675</td> <td>122</td> <td>1/2</td> <td>2900</td> <td>1\"/&gt;  <tr> <td>U-49</td> <td>"</td> <td>"</td> <td>V-675</td> <td>122</td> <td>1/2</td> <td>2900</td> <td>1\"/&gt;  <tr> <td>U-50</td> <td>"</td> <td>"</td> <td>V-675</td> <td>122</td> <td>1/2</td> <td>2900</td> <td>1\"/&gt;  </td></tr></td></tr></td></tr></td></tr></td></tr></td></tr></td></tr></td></tr></td></tr></td></tr></td></tr></td></tr></td></tr></td></tr></td></tr></td></tr></td></tr></td></tr></td></tr></td></tr>   | U-31 | " | " | V-675 | 122 | 1/2 | 2900    | 1\"/> <tr> <td>U-32</td> <td>"</td> <td>"</td> <td>V-675</td> <td>122</td> <td>1/2</td> <td>2900</td> <td>1\"/&gt;  <tr> <td>U-33</td> <td>"</td> <td>"</td> <td>V-675</td> <td>122</td> <td>1/2</td> <td>2900</td> <td>1\"/&gt;  <tr> <td>U-34</td> <td>"</td> <td>"</td> <td>V-675</td> <td>122</td> <td>1/2</td> <td>2900</td> <td>1\"/&gt;  <tr> <td>U-35</td> <td>"</td> <td>"</td> <td>V-675</td> <td>122</td> <td>1/2</td> <td>2900</td> <td>1\"/&gt;  <tr> <td>U-36</td> <td>"</td> <td>"</td> <td>V-675</td> <td>122</td> <td>1/2</td> <td>2900</td> <td>1\"/&gt;  <tr> <td>U-37</td> <td>"</td> <td>"</td> <td>V-675</td> <td>122</td> <td>1/2</td> <td>2900</td> <td>1\"/&gt;  <tr> <td>U-38</td> <td>"</td> <td>"</td> <td>V-675</td> <td>122</td> <td>1/2</td> <td>2900</td> <td>1\"/&gt;  <tr>
<td>U-39</td> <td>"</td> <td>"</td> <td>V-675</td> <td>122</td> <td>1/2</td> <td>2900</td> <td>1\"/&gt;  <tr> <td>U-40</td> <td>"</td> <td>"</td> <td>V-675</td> <td>122</td> <td>1/2</td> <td>2900</td> <td>1\"/&gt;  <tr> <td>U-41</td> <td>"</td> <td>"</td> <td>V-675</td> <td>122</td> <td>1/2</td> <td>2900</td> <td>1\"/&gt;  <tr> <td>U-42</td> <td>"</td> <td>"</td> <td>V-675</td> <td>122</td> <td>1/2</td> <td>2900</td> <td>1\"/&gt;  <tr> <td>U-43</td> <td>"</td> <td>"</td> <td>V-675</td> <td>122</td> <td>1/2</td> <td>2900</td> <td>1\"/&gt;  <tr> <td>U-44</td> <td>"</td> <td>"</td> <td>V-675</td> <td>122</td> <td>1/2</td> <td>2900</td> <td>1\"/&gt;  <tr> <td>U-45</td> <td>"</td> <td>"</td> <td>V-675</td> <td>122</td> <td>1/2</td> <td>2900</td> <td>1\"/&gt;  <tr> <td>U-46</td> <td>"</td> <td>"</td> <td>V-675</td> <td>122</td> <td>1/2</td> <td>2900</td> <td>1\"/&gt;  <tr> <td>U-47</td> <td>"</td> <td>"</td> <td>V-675</td> <td>122</td> <td>1/2</td> <td>2900</td> <td>1\"/&gt;  <tr> <td>U-48</td> <td>"</td> <td>"</td> <td>V-675</td> <td>122</td> <td>1/2</td> <td>2900</td> <td>1\"/&gt;  <tr> <td>U-49</td> <td>"</td> <td>"</td> <td>V-675</td> <td>122</td> <td>1/2</td> <td>2900</td> <td>1\"/&gt;  <tr> <td>U-50</td> <td>"</td> <td>"</td> <td>V-675</td> <td>122</td> <td>1/2</td> <td>2900</td> <td>1\"/&gt;  </td></tr></td></tr></td></tr></td></tr></td></tr></td></tr></td></tr></td></tr></td></tr></td></tr></td></tr></td></tr></td></tr></td></tr></td></tr></td></tr></td></tr></td></tr></td></tr>  | U-32 | "           | "      | V-675  | 122  | 1/2 | 2900 | 1\"/> <tr> <td>U-33</td> <td>"</td> <td>"</td> <td>V-675</td> <td>122</td> <td>1/2</td> <td>2900</td> <td>1\"/&gt;  <tr> <td>U-34</td> <td>"</td> <td>"</td> <td>V-675</td> <td>122</td> <td>1/2</td> <td>2900</td> <td>1\"/&gt;  <tr> <td>U-35</td> <td>"</td> <td>"</td> <td>V-675</td> <td>122</td> <td>1/2</td> <td>2900</td> <td>1\"/&gt;  <tr> <td>U-36</td> <td>"</td> <td>"</td> <td>V-675</td> <td>122</td> <td>1/2</td> <td>2900</td> <td>1\"/&gt;  <tr> <td>U-37</td> <td>"</td> <td>"</td> <td>V-675</td> <td>122</td> <td>1/2</td> <td>2900</td> <td>1\"/&gt;  <tr> <td>U-38</td> <td>"</td> <td>"</td> <td>V-675</td> <td>122</td> <td>1/2</td> <td>2900</td> <td>1\"/&gt;  <tr> <td>U-39</td> <td>"</td> <td>"</td> <td>V-675</td> <td>122</td> <td>1/2</td> <td>2900</td> <td>1\"/&gt;  <tr> <td>U-40</td> <td>"</td> <td>"</td> <td>V-675</td> <td>122</td> <td>1/2</td> <td>2900</td> <td>1\"/&gt;  <tr> <td>U-41</td> <td>"</td> <td>"</td> <td>V-675</td> <td>122</td> <td>1/2</td> <td>2900</td> <td>1\"/&gt;  <tr> <td>U-42</td> <td>"</td> <td>"</td> <td>V-675</td> <td>122</td> <td>1/2</td> <td>2900</td> <td>1\"/&gt;  <tr> <td>U-43</td> <td>"</td> <td>"</td> <td>V-675</td> <td>122</td> <td>1/2</td> <td>2900</td> <td>1\"/&gt;  <tr> <td>U-44</td> <td>"</td> <td>"</td> <td>V-675</td> <td>122</td> <td>1/2</td> <td>2900</td> <td>1\"/&gt;  <tr> <td>U-45</td> <td>"</td> <td>"</td> <td>V-675</td> <td>122</td> <td>1/2</td> <td>2900</td> <td>1\"/&gt;  <tr> <td>U-46</td> <td>"</td> <td>"</td> <td>V-675</td> <td>122</td> <td>1/2</td> <td>2900</td> <td>1\"/&gt;  <tr> <td>U-47</td> <td>"</td> <td>"</td> <td>V-675</td> <td>122</td> <td>1/2</td> <td>2900</td> <td>1\"/&gt;  <tr> <td>U-48</td> <td>"</td> <td>"</td> <td>V-675</td> <td>122</td> <td>1/2</td> <td>2900</td> <td>1\"/&gt;  <tr> <td>U-49</td> <td>"</td> <td>"</td> <td>V-675</td> <td>122</td> <td>1/2</td> <td>2900</td> <td>1\"/&gt;  <tr> <td>U-50</td> <td>"</td> <td>"</td> <td>V-675</td> <td>122</td> <td>1/2</td> <td>2900</td> <td>1\"/&gt;  </td></tr></td></tr></td></tr></td></tr></td></tr></td></tr></td></tr></td></tr></td></tr></td></tr></td></tr></td></tr></td></tr></td></tr></td></tr></td></tr></td></tr></td></tr>   
  | U-33 | " | " | V-675  | 122  | 1/2 | 2900 | 1\"/> <tr> <td>U-34</td> <td>"</td> <td>"</td> <td>V-675</td> <td>122</td> <td>1/2</td> <td>2900</td> <td>1\"/&gt;  <tr> <td>U-35</td> <td>"</td> <td>"</td> <td>V-675</td> <td>122</td> <td>1/2</td> <td>2900</td> <td>1\"/&gt;  <tr> <td>U-36</td> <td>"</td> <td>"</td> <td>V-675</td> <td>122</td> <td>1/2</td> <td>2900</td> <td>1\"/&gt;  <tr> <td>U-37</td> <td>"</td> <td>"</td> <td>V-675</td> <td>122</td> <td>1/2</td> <td>2900</td> <td>1\"/&gt;  <tr> <td>U-38</td> <td>"</td> <td>"</td> <td>V-675</td> <td>122</td> <td>1/2</td> <td>2900</td> <td>1\"/&gt;  <tr> <td>U-39</td> <td>"</td> <td>"</td> <td>V-675</td> <td>122</td> <td>1/2</td> <td>2900</td> <td>1\"/&gt;  <tr> <td>U-40</td> <td>"</td> <td>"</td> <td>V-675</td> <td>122</td> <td>1/2</td> <td>2900</td> <td>1\"/&gt;  <tr> <td>U-41</td> <td>"</td> <td>"</td> <td>V-675</td> <td>122</td> <td>1/2</td> <td>2900</td> <td>1\"/&gt;  <tr> <td>U-42</td> <td>"</td> <td>"</td> <td>V-675</td> <td>122</td> <td>1/2</td> <td>2900</td> <td>1\"/&gt;  <tr> <td>U-43</td> <td>"</td> <td>"</td> <td>V-675</td> <td>122</td> <td>1/2</td> <td>2900</td> <td>1\"/&gt;  <tr> <td>U-44</td> <td>"</td> <td>"</td> <td>V-675</td> <td>122</td> <td>1/2</td> <td>2900</td> <td>1\"/&gt;  <tr> <td>U-45</td> <td>"</td> <td>"</td> <td>V-675</td> <td>122</td> <td>1/2</td> <td>2900</td> <td>1\"/&gt;  <tr> <td>U-46</td> <td>"</td> <td>"</td> <td>V-675</td> <td>122</td> <td>1/2</td> <td>2900</td> <td>1\"/&gt;  <tr> <td>U-47</td> <td>"</td> <td>"</td> <td>V-675</td> <td>122</td> <td>1/2</td> <td>2900</td> <td>1\"/&gt;  <tr> <td>U-48</td> <td>"</td> <td>"</td> <td>V-675</td> <td>122</td> <td>1/2</td> <td>2900</td> <td>1\"/&gt;  <tr> <td>U-49</td> <td>"</td> <td>"</td> <td>V-675</td> <td>122</td> <td>1/2</td> <td>2900</td> <td>1\"/&gt;  <tr> <td>U-50</td> <td>"</td> <td>"</td> <td>V-675</td> <td>122</td> <td>1/2</td> <td>2900</td> <td>1\"/&gt;  </td></tr></td></tr></td></tr></td></tr></td></tr></td></tr></td></tr></td></tr></td></tr></td></tr></td></tr></td></tr></td></tr></td></tr></td></tr></td></tr></td></tr>   | U-34 | " | " | V-675  | 122 | 1/2 | 2900 | 1\"/> <tr> <td>U-35</td> <td>"</td> <td>"</td> <td>V-675</td> <td>122</td> <td>1/2</td> <td>2900</td> <td>1\"/&gt;  <tr> <td>U-36</td> <td>"</td> <td>"</td> <td>V-675</td> <td>122</td> <td>1/2</td> <td>2900</td> <td>1\"/&gt;  <tr> <td>U-37</td> <td>"</td> <td>"</td> <td>V-675</td> <td>122</td> <td>1/2</td> <td>2900</td> <td>1\"/&gt;  <tr> <td>U-38</td> <td>"</td> <td>"</td> <td>V-675</td> <td>122</td> <td>1/2</td> <td>2900</td> <td>1\"/&gt;  <tr> <td>U-39</td> <td>"</td> <td>"</td> <td>V-675</td> <td>122</td> <td>1/2</td> <td>2900</td> <td>1\"/&gt;  <tr> <td>U-40</td> <td>"</td> <td>"</td> <td>V-675</td> <td>122</td> <td>1/2</td> <td>2900</td> <td>1\"/&gt;  <tr> <td>U-41</td> <td>"</td> <td>"</td> <td>V-675</td> <td>122</td> <td>1/2</td> <td>2900</td> <td>1\"/&gt;  <tr> <td>U-42</td> <td>"</td> <td>"</td> <td>V-675</td> <td>122</td> <td>1/2</td> <td>2900</td> <td>1\"/&gt;  <tr> <td>U-43</td> <td>"</td> <td>"</td> <td>V-675</td> <td>122</td> <td>1/2</td> <td>2900</td> <td>1\"/&gt;  <tr> <td>U-44</td> <td>"</td> <td>"</td> <td>V-675</td> <td>122</td> <td>1/2</td> <td>2900</td> <td>1\"/&gt;  <tr> <td>U-45</td> <td>"</td> <td>"</td> <td>V-675</td> <td>122</td> <td>1/2</td> <td>2900</td> <td>1\"/&gt;  <tr> <td>U-46</td> <td>"</td> <td>"</td> <td>V-675</td> <td>122</td> <td>1/2</td> <td>2900</td> <td>1\"/&gt;  <tr> <td>U-47</td> <td>"</td> <td>"</td> <td>V-675</td> <td>122</td> <td>1/2</td> <td>2900</td> <td>1\"/&gt;  <tr> <td>U-48</td> <td>"</td> <td>"</td> <td>V-675</td> <td>122</td> <td>1/2</td> <td>2900</td> <td>1\"/&gt;  <tr> <td>U-49</td> <td>"</td> <td>"</td> <td>V-675</td> <td>122</td> <td>1/2</td> <td>2900</td> <td>1\"/&gt;  <tr> <td>U-50</td> <td>"</td> <td>"</td> <td>V-675</td> <td>122</td> <td>1/2</td> <td>2900</td> <td>1\"/&gt;  </td></tr></td></tr></td></tr></td></tr></td></tr></td></tr></td></tr></td></tr></td></tr></td></tr></td></tr></td></tr></td></tr></td></tr></td></tr></td></tr>   
   | U-35 | " | " | V-675 | 122 | 1/2 | 2900 | 1\"/> <tr> <td>U-36</td> <td>"</td> <td>"</td> <td>V-675</td> <td>122</td> <td>1/2</td> <td>2900</td> <td>1\"/&gt;  <tr> <td>U-37</td> <td>"</td> <td>"</td> <td>V-675</td> <td>122</td> <td>1/2</td> <td>2900</td> <td>1\"/&gt;  <tr> <td>U-38</td> <td>"</td> <td>"</td> <td>V-675</td> <td>122</td> <td>1/2</td> <td>2900</td> <td>1\"/&gt;  <tr> <td>U-39</td> <td>"</td> <td>"</td> <td>V-675</td> <td>122</td> <td>1/2</td> <td>2900</td> <td>1\"/&gt;  <tr> <td>U-40</td> <td>"</td> <td>"</td> <td>V-675</td> <td>122</td> <td>1/2</td> <td>2900</td> <td>1\"/&gt;  <tr> <td>U-41</td> <td>"</td> <td>"</td> <td>V-675</td> <td>122</td> <td>1/2</td> <td>2900</td> <td>1\"/&gt;  <tr> <td>U-42</td> <td>"</td> <td>"</td> <td>V-675</td> <td>122</td> <td>1/2</td> <td>2900</td> <td>1\"/&gt;  <tr> <td>U-43</td> <td>"</td> <td>"</td> <td>V-675</td> <td>122</td> <td>1/2</td> <td>2900</td> <td>1\"/&gt;  <tr> <td>U-44</td> <td>"</td> <td>"</td> <td>V-675</td> <td>122</td> <td>1/2</td> <td>2900</td> <td>1\"/&gt;  <tr> <td>U-45</td> <td>"</td> <td>"</td> <td>V-675</td> <td>122</td> <td>1/2</td> <td>2900</td> <td>1\"/&gt;  <tr> <td>U-46</td> <td>"</td> <td>"</td> <td>V-675</td> <td>122</td> <td>1/2</td> <td>2900</td> <td>1\"/&gt;  <tr> <td>U-47</td> <td>"</td> <td>"</td> <td>V-675</td> <td>122</td> <td>1/2</td> <td>2900</td> <td>1\"/&gt;  <tr> <td>U-48</td> <td>"</td> <td>"</td> <td>V-675</td> <td>122</td> <td>1/2</td> <td>2900</td> <td>1\"/&gt;  <tr> <td>U-49</td> <td>"</td> <td>"</td> <td>V-675</td> <td>122</td> <td>1/2</td> <td>2900</td> <td>1\"/&gt;  <tr> <td>U-50</td> <td>"</td> <td>"</td> <td>V-675</td> <td>122</td> <td>1/2</td> <td>2900</td> <td>1\"/&gt;  </td></tr></td></tr></td></tr></td></tr></td></tr></td></tr></td></tr></td></tr></td></tr></td></tr></td></tr></td></tr></td></tr></td></tr></td></tr>  | U-36 | " | " | V-675 | 122 | 1/2 | 2900 | 1\"/> <tr> <td>U-37</td> <td>"</td> <td>"</td> <td>V-675</td> <td>122</td> <td>1/2</td> <td>2900</td> <td>1\"/&gt;  <tr> <td>U-38</td> <td>"</td> <td>"</td> <td>V-675</td> <td>122</td> <td>1/2</td> <td>2900</td> <td>1\"/&gt;  <tr> <td>U-39</td> <td>"</td> <td>"</td> <td>V-675</td> <td>122</td> <td>1/2</td> <td>2900</td> <td>1\"/&gt;  <tr> <td>U-40</td> <td>"</td> <td>"</td> <td>V-675</td> <td>122</td> <td>1/2</td> <td>2900</td> <td>1\"/&gt;  <tr> <td>U-41</td> <td>"</td> <td>"</td> <td>V-675</td> <td>122</td> <td>1/2</td> <td>2900</td> <td>1\"/&gt;  <tr> <td>U-42</td> <td>"</td> <td>"</td> <td>V-675</td> <td>122</td> <td>1/2</td> <td>2900</td> <td>1\"/&gt;  <tr> <td>U-43</td> <td>"</td> <td>"</td> <td>V-675</td> <td>122</td> <td>1/2</td> <td>2900</td> <td>1\"/&gt;  <tr> <td>U-44</td> <td>"</td> <td>"</td> <td>V-675</td> <td>122</td> <td>1/2</td> <td>2900</td> <td>1\"/&gt;  <tr> <td>U-45</td> <td>"</td> <td>"</td> <td>V-675</td> <td>122</td> <td>1/2</td> <td>2900</td> <td>1\"/&gt;  <tr> <td>U-46</td> <td>"</td> <td>"</td> <td>V-675</td> <td>122</td> <td>1/2</td> <td>2900</td> <td>1\"/&gt;  <tr> <td>U-47</td> <td>"</td> <td>"</td> <td>V-675</td> <td>122</td> <td>1/2</td> <td>2900</td> <td>1\"/&gt;  <tr> <td>U-48</td> <td>"</td> <td>"</td> <td>V-675</td> <td>122</td> <td>1/2</td> <td>2900</td> <td>1\"/&gt;  <tr> <td>U-49</td> <td>"</td> <td>"</td> <td>V-675</td> <td>122</td> <td>1/2</td> <td>2900</td> <td>1\"/&gt;  <tr> <td>U-50</td> <td>"</td> <td>"</td> <td>V-675</td> <td>122</td> <td>1/2</td> <td>2900</td> <td>1\"/&gt;  </td></tr></td></tr></td></tr></td></tr></td></tr></td></tr></td></tr></td></tr></td></tr></td></tr></td></tr></td></tr></td></tr></td></tr>  
  | U-37 | " | " | V-675 | 122 | 1/2 | 2900 | 1\"/> <tr> <td>U-38</td> <td>"</td> <td>"</td> <td>V-675</td> <td>122</td> <td>1/2</td> <td>2900</td> <td>1\"/&gt;  <tr> <td>U-39</td> <td>"</td> <td>"</td> <td>V-675</td> <td>122</td> <td>1/2</td> <td>2900</td> <td>1\"/&gt;  <tr> <td>U-40</td> <td>"</td> <td>"</td> <td>V-675</td> <td>122</td> <td>1/2</td> <td>2900</td> <td>1\"/&gt;  <tr> <td>U-41</td> <td>"</td> <td>"</td> <td>V-675</td> <td>122</td> <td>1/2</td> <td>2900</td> <td>1\"/&gt;  <tr> <td>U-42</td> <td>"</td> <td>"</td> <td>V-675</td> <td>122</td> <td>1/2</td> <td>2900</td> <td>1\"/&gt;  <tr> <td>U-43</td> <td>"</td> <td>"</td> <td>V-675</td> <td>122</td> <td>1/2</td> <td>2900</td> <td>1\"/&gt;  <tr> <td>U-44</td> <td>"</td> <td>"</td> <td>V-675</td> <td>122</td> <td>1/2</td> <td>2900</td> <td>1\"/&gt;  <tr> <td>U-45</td> <td>"</td> <td>"</td> <td>V-675</td> <td>122</td> <td>1/2</td> <td>2900</td> <td>1\"/&gt;  <tr> <td>U-46</td> <td>"</td> <td>"</td> <td>V-675</td> <td>122</td> <td>1/2</td> <td>2900</td> <td>1\"/&gt;  <tr> <td>U-47</td> <td>"</td> <td>"</td> <td>V-675</td> <td>122</td> <td>1/2</td> <td>2900</td> <td>1\"/&gt;  <tr> <td>U-48</td> <td>"</td> <td>"</td> <td>V-675</td> <td>122</td> <td>1/2</td> <td>2900</td> <td>1\"/&gt;  <tr> <td>U-49</td> <td>"</td> <td>"</td> <td>V-675</td> <td>122</td> <td>1/2</td> <td>2900</td> <td>1\"/&gt;  <tr> <td>U-50</td> <td>"</td> <td>"</td> <td>V-675</td> <td>122</td> <td>1/2</td> <td>2900</td> <td>1\"/&gt;  </td></tr></td></tr></td></tr></td></tr></td></tr></td></tr></td></tr></td></tr></td></tr></td></tr></td></tr></td></tr></td></tr>  | U-38 | " | " | V-675 | 122 | 1/2 | 2900 | 1\"/> <tr> <td>U-39</td> <td>"</td> <td>"</td> <td>V-675</td> <td>122</td> <td>1/2</td> <td>2900</td> <td>1\"/&gt;  <tr> <td>U-40</td> <td>"</td> <td>"</td> <td>V-675</td> <td>122</td> <td>1/2</td> <td>2900</td> <td>1\"/&gt;  <tr> <td>U-41</td> <td>"</td> <td>"</td> <td>V-675</td> <td>122</td> <td>1/2</td> <td>2900</td> <td>1\"/&gt;  <tr> <td>U-42</td> <td>"</td> <td>"</td> <td>V-675</td> <td>122</td> <td>1/2</td> <td>2900</td> <td>1\"/&gt;  <tr> <td>U-43</td> <td>"</td> <td>"</td> <td>V-675</td> <td>122</td> <td>1/2</td> <td>2900</td> <td>1\"/&gt;  <tr> <td>U-44</td> <td>"</td> <td>"</td> <td>V-675</td> <td>122</td> <td>1/2</td> <td>2900</td> <td>1\"/&gt;  <tr> <td>U-45</td> <td>"</td> <td>"</td> <td>V-675</td> <td>122</td> <td>1/2</td> <td>2900</td> <td>1\"/&gt;  <tr> <td>U-46</td> <td>"</td> <td>"</td> <td>V-675</td> <td>122</td> <td>1/2</td> <td>2900</td> <td>1\"/&gt;  <tr> <td>U-47</td> <td>"</td> <td>"</td> <td>V-675</td> <td>122</td> <td>1/2</td> <td>2900</td> <td>1\"/&gt;  <tr> <td>U-48</td> <td>"</td> <td>"</td> <td>V-675</td> <td>122</td> <td>1/2</td> <td>2900</td> <td>1\"/&gt;  <tr> <td>U-49</td> <td>"</td> <td>"</td> <td>V-675</td> <td>122</td> <td>1/2</td> <td>2900</td> <td>1\"/&gt;  <tr> <td>U-50</td> <td>"</td> <td>"</td> <td>V-675</td> <td>122</td> <td>1/2</td> <td>2900</td> <td>1\"/&gt;  </td></tr></td></tr></td></tr></td></tr></td></tr></td></tr></td></tr></td></tr></td></tr></td></tr></td></tr></td></tr>   
   | U-39 | " | " | V-675 | 122 | 1/2 | 2900 | 1\"/> <tr> <td>U-40</td> <td>"</td> <td>"</td> <td>V-675</td> <td>122</td> <td>1/2</td> <td>2900</td> <td>1\"/&gt;  <tr> <td>U-41</td> <td>"</td> <td>"</td> <td>V-675</td> <td>122</td> <td>1/2</td> <td>2900</td> <td>1\"/&gt;  <tr> <td>U-42</td> <td>"</td> <td>"</td> <td>V-675</td> <td>122</td> <td>1/2</td> <td>2900</td> <td>1\"/&gt;  <tr> <td>U-43</td> <td>"</td> <td>"</td> <td>V-675</td> <td>122</td> <td>1/2</td> <td>2900</td> <td>1\"/&gt;  <tr> <td>U-44</td> <td>"</td> <td>"</td> <td>V-675</td> <td>122</td> <td>1/2</td> <td>2900</td> <td>1\"/&gt;  <tr> <td>U-45</td> <td>"</td> <td>"</td> <td>V-675</td> <td>122</td> <td>1/2</td> <td>2900</td> <td>1\"/&gt;  <tr> <td>U-46</td> <td>"</td> <td>"</td> <td>V-675</td> <td>122</td> <td>1/2</td> <td>2900</td> <td>1\"/&gt;  <tr> <td>U-47</td> <td>"</td> <td>"</td> <td>V-675</td> <td>122</td> <td>1/2</td> <td>2900</td> <td>1\"/&gt;  <tr> <td>U-48</td> <td>"</td> <td>"</td> <td>V-675</td> <td>122</td> <td>1/2</td> <td>2900</td> <td>1\"/&gt;  <tr> <td>U-49</td> <td>"</td> <td>"</td> <td>V-675</td> <td>122</td> <td>1/2</td> <td>2900</td> <td>1\"/&gt;  <tr> <td>U-50</td> <td>"</td> <td>"</td> <td>V-675</td> <td>122</td> <td>1/2</td> <td>2900</td> <td>1\"/&gt;  </td></tr></td></tr></td></tr></td></tr></td></tr></td></tr></td></tr></td></tr></td></tr></td></tr></td></tr>  | U-40 | " | " | V-675 | 122 | 1/2 | 2900 | 1\"/> <tr> <td>U-41</td> <td>"</td> <td>"</td> <td>V-675</td> <td>122</td> <td>1/2</td> <td>2900</td> <td>1\"/&gt;  <tr> <td>U-42</td> <td>"</td> <td>"</td> <td>V-675</td> <td>122</td> <td>1/2</td> <td>2900</td> <td>1\"/&gt;  <tr> <td>U-43</td> <td>"</td> <td>"</td> <td>V-675</td> <td>122</td> <td>1/2</td> <td>2900</td> <td>1\"/&gt;  <tr> <td>U-44</td> <td>"</td> <td>"</td> <td>V-675</td> <td>122</td> <td>1/2</td> <td>2900</td> <td>1\"/&gt;  <tr> <td>U-45</td> <td>"</td> <td>"</td> <td>V-675</td> <td>122</td> <td>1/2</td> <td>2900</td> <td>1\"/&gt;  <tr> <td>U-46</td> <td>"</td> <td>"</td> <td>V-675</td> <td>122</td> <td>1/2</td> <td>2900</td> <td>1\"/&gt;  <tr> <td>U-47</td> <td>"</td> <td>"</td> <td>V-675</td> <td>122</td> <td>1/2</td> <td>2900</td> <td>1\"/&gt;  <tr> <td>U-48</td> <td>"</td> <td>"</td> <td>V-675</td> <td>122</td> <td>1/2</td> <td>2900</td> <td>1\"/&gt;  <tr> <td>U-49</td> <td>"</td> <td>"</td> <td>V-675</td> <td>122</td> <td>1/2</td> <td>2900</td> <td>1\"/&gt;  <tr> <td>U-50</td> <td>"</td> <td>"</td> <td>V-675</td> <td>122</td> <td>1/2</td> <td>2900</td> <td>1\"/&gt;  </td></tr></td></tr></td></tr></td></tr></td></tr></td></tr></td></tr></td></tr></td></tr></td></tr>  
  | U-41 | " | " | V-675 | 122 | 1/2 | 2900 | 1\"/> <tr> <td>U-42</td> <td>"</td> <td>"</td> <td>V-675</td> <td>122</td> <td>1/2</td> <td>2900</td> <td>1\"/&gt;  <tr> <td>U-43</td> <td>"</td> <td>"</td> <td>V-675</td> <td>122</td> <td>1/2</td> <td>2900</td> <td>1\"/&gt;  <tr> <td>U-44</td> <td>"</td> <td>"</td> <td>V-675</td> <td>122</td> <td>1/2</td> <td>2900</td> <td>1\"/&gt;  <tr> <td>U-45</td> <td>"</td> <td>"</td> <td>V-675</td> <td>122</td> <td>1/2</td> <td>2900</td> <td>1\"/&gt;  <tr> <td>U-46</td> <td>"</td> <td>"</td> <td>V-675</td> <td>122</td> <td>1/2</td> <td>2900</td> <td>1\"/&gt;  <tr> <td>U-47</td> <td>"</td> <td>"</td> <td>V-675</td> <td>122</td> <td>1/2</td> <td>2900</td> <td>1\"/&gt;  <tr> <td>U-48</td> <td>"</td> <td>"</td> <td>V-675</td> <td>122</td> <td>1/2</td> <td>2900</td> <td>1\"/&gt;  <tr> <td>U-49</td> <td>"</td> <td>"</td> <td>V-675</td> <td>122</td> <td>1/2</td> <td>2900</td> <td>1\"/&gt;  <tr> <td>U-50</td> <td>"</td> <td>"</td> <td>V-675</td> <td>122</td> <td>1/2</td> <td>2900</td> <td>1\"/&gt;  </td></tr></td></tr></td></tr></td></tr></td></tr></td></tr></td></tr></td></tr></td></tr>   | U-42 | " | " | V-675 | 122 | 1/2 | 2900 | 1\"/> <tr> <td>U-43</td> <td>"</td> <td>"</td> <td>V-675</td> <td>122</td> <td>1/2</td> <td>2900</td> <td>1\"/&gt;  <tr> <td>U-44</td> <td>"</td> <td>"</td> <td>V-675</td> <td>122</td> <td>1/2</td> <td>2900</td> <td>1\"/&gt;  <tr> <td>U-45</td> <td>"</td> <td>"</td> <td>V-675</td> <td>122</td> <td>1/2</td> <td>2900</td> <td>1\"/&gt;  <tr> <td>U-46</td> <td>"</td> <td>"</td> <td>V-675</td> <td>122</td> <td>1/2</td> <td>2900</td> <td>1\"/&gt;  <tr> <td>U-47</td> <td>"</td> <td>"</td> <td>V-675</td> <td>122</td> <td>1/2</td> <td>2900</td> <td>1\"/&gt;  <tr> <td>U-48</td> <td>"</td> <td>"</td> <td>V-675</td> <td>122</td> <td>1/2</td> <td>2900</td> <td>1\"/&gt;  <tr> <td>U-49</td> <td>"</td> <td>"</td> <td>V-675</td> <td>122</td> <td>1/2</td> <td>2900</td> <td>1\"/&gt;  <tr> <td>U-50</td> <td>"</td> <td>"</td> <td>V-675</td> <td>122</td> <td>1/2</td> <td>2900</td> <td>1\"/&gt;  </td></tr></td></tr></td></tr></td></tr></td></tr></td></tr></td></tr></td></tr>  
  | U-43 | " | " | V-675 | 122 | 1/2 | 2900 | 1\"/> <tr> <td>U-44</td> <td>"</td> <td>"</td> <td>V-675</td> <td>122</td> <td>1/2</td> <td>2900</td> <td>1\"/&gt;  <tr> <td>U-45</td> <td>"</td> <td>"</td> <td>V-675</td> <td>122</td> <td>1/2</td> <td>2900</td> <td>1\"/&gt;  <tr> <td>U-46</td> <td>"</td> <td>"</td> <td>V-675</td> <td>122</td> <td>1/2</td> <td>2900</td> <td>1\"/&gt;  <tr> <td>U-47</td> <td>"</td> <td>"</td> <td>V-675</td> <td>122</td> <td>1/2</td> <td>2900</td> <td>1\"/&gt;  <tr> <td>U-48</td> <td>"</td> <td>"</td> <td>V-675</td> <td>122</td> <td>1/2</td> <td>2900</td> <td>1\"/&gt;  <tr> <td>U-49</td> <td>"</td> <td>"</td> <td>V-675</td> <td>122</td> <td>1/2</td> <td>2900</td> <td>1\"/&gt;  <tr> <td>U-50</td> <td>"</td> <td>"</td> <td>V-675</td> <td>122</td> <td>1/2</td> <td>2900</td> <td>1\"/&gt;  </td></tr></td></tr></td></tr></td></tr></td></tr></td></tr></td></tr>   | U-44 | " | " | V-675 | 122 | 1/2 | 2900 | 1\"/> <tr> <td>U-45</td> <td>"</td> <td>"</td> <td>V-675</td> <td>122</td> <td>1/2</td> <td>2900</td> <td>1\"/&gt;  <tr> <td>U-46</td> <td>"</td> <td>"</td> <td>V-675</td> <td>122</td> <td>1/2</td> <td>2900</td> <td>1\"/&gt;  <tr> <td>U-47</td> <td>"</td> <td>"</td> <td>V-675</td> <td>122</td> <td>1/2</td> <td>2900</td> <td>1\"/&gt;  <tr> <td>U-48</td> <td>"</td> <td>"</td> <td>V-675</td> <td>122</td> <td>1/2</td> <td>2900</td> <td>1\"/&gt;  <tr> <td>U-49</td> <td>"</td> <td>"</td> <td>V-675</td> <td>122</td> <td>1/2</td> <td>2900</td> <td>1\"/&gt;  <tr> <td>U-50</td> <td>"</td> <td>"</td> <td>V-675</td> <td>122</td> <td>1/2</td> <td>2900</td> <td>1\"/&gt;  </td></tr></td></tr></td></tr></td></tr></td></tr></td></tr>  
  | U-45 | " | " | V-675 | 122 | 1/2 | 2900 | 1\"/> <tr> <td>U-46</td> <td>"</td> <td>"</td> <td>V-675</td> <td>122</td> <td>1/2</td> <td>2900</td> <td>1\"/&gt;  <tr> <td>U-47</td> <td>"</td> <td>"</td> <td>V-675</td> <td>122</td> <td>1/2</td> <td>2900</td> <td>1\"/&gt;  <tr> <td>U-48</td> <td>"</td> <td>"</td> <td>V-675</td> <td>122</td> <td>1/2</td> <td>2900</td> <td>1\"/&gt;  <tr> <td>U-49</td> <td>"</td> <td>"</td> <td>V-675</td> <td>122</td> <td>1/2</td> <td>2900</td> <td>1\"/&gt;  <tr> <td>U-50</td> <td>"</td> <td>"</td> <td>V-675</td> <td>122</td> <td>1/2</td> <td>2900</td> <td>1\"/&gt;  </td></tr></td></tr></td></tr></td></tr></td></tr>   | U-46 | " | " | V-675 | 122 | 1/2 | 2900 | 1\"/> <tr> <td>U-47</td> <td>"</td> <td>"</td> <td>V-675</td> <td>122</td> <td>1/2</td> <td>2900</td> <td>1\"/&gt;  <tr> <td>U-48</td> <td>"</td> <td>"</td> <td>V-675</td> <td>122</td> <td>1/2</td> <td>2900</td> <td>1\"/&gt;  <tr> <td>U-49</td> <td>"</td> <td>"</td> <td>V-675</td> <td>122</td> <td>1/2</td> <td>2900</td> <td>1\"/&gt;  <tr> <td>U-50</td> <td>"</td> <td>"</td> <td>V-675</td> <td>122</td> <td>1/2</td> <td>2900</td> <td>1\"/&gt;  </td></tr></td></tr></td></tr></td></tr>  
  | U-47 | " | " | V-675 | 122 | 1/2 | 2900 | 1\"/> <tr> <td>U-48</td> <td>"</td> <td>"</td> <td>V-675</td> <td>122</td> <td>1/2</td> <td>2900</td> <td>1\"/&gt;  <tr> <td>U-49</td> <td>"</td> <td>"</td> <td>V-675</td> <td>122</td> <td>1/2</td> <td>2900</td> <td>1\"/&gt;  <tr> <td>U-50</td> <td>"</td> <td>"</td> <td>V-675</td> <td>122</td> <td>1/2</td> <td>2900</td> <td>1\"/&gt;  </td></tr></td></tr></td></tr>   | U-48 | " | " | V-675 | 122 | 1/2 | 2900 | 1\"/> <tr> <td>U-49</td> <td>"</td> <td>"</td> <td>V-675</td> <td>122</td> <td>1/2</td> <td>2900</td> <td>1\"/&gt;  <tr> <td>U-50</td> <td>"</td> <td>"</td> <td>V-675</td> <td>122</td> <td>1/2</td> <td>2900</td> <td>1\"/&gt;  </td></tr></td></tr>   | U-49 | " | " | V-675 | 122 | 1/2 | 2900 | 1\"/> <tr> <td>U-50</td> <td>"</td> <td>"</td> <td>V-675</td> <td>122</td> <td>1/2</td> <td>2900</td> <td>1\"/&gt;  </td></tr>   
   | U-50 | " | " | V-675 | 122 | 1/2 | 2900 | 1\"/>  |      |   |   |       |     |     |      | | | | | | | | | | | | | | | | | | | | | | | | | | | | | | | | | | | | | | | | | | | | | | | | | |
   |      |   |   |       |     |     |      |  |      |   |   |       |     |     |      |  |      |   |   |       |     |     |      |   
  |      |   |   |       |     |     |      |  |      |   |   |       |     |     |      |  |      |   |   |       |     |     |      |  |      |   |   |       |     |     |      |   
  |      |   |   |       |     |     |      |  |      |   |   |       |     |     |      |  |      |   |   |       |     |     |      |  
   |      |   |   |       |     |     |      |  |      |   |   |       |     |     |      |  |      |   |   |       |     |     |      |  |      |   |   |       |     |     |      |  |      |   |   |       |     |     |      |   
  |      |   |   |       |     |     |      |  |      |   |   |       |     |     |      |  |      |   |   |       |     |     |      |  |      |   |   |       |     |     |      |  |      |   |   |       |     |     |      |  |      |   |   |       |     |     |      |  |      |   |   |       |     |     |      |  
   |      |   |   |       |     |     |      |  |      |   |   |       |     |     |      |  |      |   |   |       |     |     |      |  |      |   |   |       |     |     |      |  |      |   |   |       |     |     |      |  |      |   |   |       |     |     |      |  |      |   |   |       |     |     |      |  |      |   |   |       |     |     |      |       |
| U-27 | "             | "                       | V-675    | 122  | 1/2           | 2900    | 1\"/> <tr> <td>U-28</td> <td>"</td> <td>"</td> <td>V-675</td> <td>122</td> <td>1/2</td> <td>2900</td> <td>1\"/&gt;  <tr> <td>U-29</td> <td>"</td> <td>"</td> <td>V-675</td> <td>122</td> <td>1/2</td> <td>2900</td> <td>1\"/&gt;  <tr> <td>U-30</td> <td>"</td> <td>"</td> <td>V-675</td> <td>122</td> <td>1/2</td> <td>2900</td> <td>1\"/&gt;  <tr> <td>U-31</td> <td>"</td> <td>"</td> <td>V-675</td> <td>122</td> <td>1/2</td> <td>2900</td> <td>1\"/&gt;  <tr> <td>U-32</td> <td>"</td> <td>"</td> <td>V-675</td> <td>122</td> <td>1/2</td> <td>2900</td> <td>1\"/&gt;  <tr> <td>U-33</td> <td>"</td> <td>"</td> <td>V-675</td> <td>122</td> <td>1/2</td> <td>2900</td> <td>1\"/&gt;  <tr> <td>U-34</td> <td>"</td> <td>"</td> <td>V-675</td> <td>122</td> <td>1/2</td> <td>2900</td> <td>1\"/&gt;  <tr> <td>U-35</td> <td>"</td> <td>"</td> <td>V-675</td> <td>122</td> <td>1/2</td> <td>2900</td> <td>1\"/&gt;  <tr> <td>U-36</td> <td>"</td> <td>"</td> <td>V-675</td> <td>122</td> <td>1/2</td> <td>2900</td> <td>1\"/&gt;  <tr> <td>U-37</td> <td>"</td> <td>"</td> <td>V-675</td> <td>122</td> <td>1/2</td> <td>2900</td> <td>1\"/&gt;  <tr> <td>U-38</td> <td>"</td> <td>"</td> <td>V-675</td> <td>122</td> <td>1/2</td> <td>2900</td> <td>1\"/&gt;  <tr> <td>U-39</td> <td>"</td> <td>"</td> <td>V-675</td> <td>122</td> <td>1/2</td> <td>2900</td> <td>1\"/&gt;  <tr> <td>U-40</td> <td>"</td> <td>"</td> <td>V-675</td> <td>122</td> <td>1/2</td> <td>2900</td> <td>1\"/&gt;  <tr> <td>U-41</td> <td>"</td> <td>"</td> <td>V-675</td> <td>122</td> <td>1/2</td> <td>2900</td> <td>1\"/&gt;  <tr> <td>U-42</td> <td>"</td> <td>"</td> <td>V-675</td> <td>122</td> <td>1/2</td> <td>2900</td> <td>1\"/&gt;  <tr> <td>U-43</td> <td>"</td> <td>"</td> <td>V-675</td> <td>122</td> <td>1/2</td> <td>2900</td> <td>1\"/&gt;  <tr> <td>U-44</td> <td>"</td> <td>"</td> <td>V-675</td> <td>122</td> <td>1/2</td> <td>2900</td> <td>1\"/&gt;  <tr> <td>U-45</td> <td>"</td> <td>"</td> <td>V-675</td> <td>122</td> <td>1/2</td> <td>2900</td> <td>1\"/&gt;  <tr> <td>U-46</td> <td>"</td> <td>"</td> <td>V-675</td> <td>122</td> <td>1/2</td> <td>2900</td> <td>1\"/&gt;  <tr> <td>U-47</td> <td>"</td> <td>"</td> <td>V-675</td> <td>122</td> <td>1/2</td> <td>2900</td> <td>1\"/&gt;  <tr> <td>U-48</td> <td>"</td> <td>"</td> <td>V-675</td> <td>122</td> <td>1/2</td> <td>2900</td> <td>1\"/&gt;  <tr> <td>U-49</td> <td>"</td> <td>"</td> <td>V-675</td> <td>122</td> <td>1/2</td> <td>2900</td> <td>1\"/&gt;  <tr> <td>U-50</td> <td>"</td> <td>"</td> <td>V-675</td> <td>122</td> <td>1/2</td> <td>2900</td> <td>1\"/&gt;  </td></tr></td></tr></td></tr></td></tr></td></tr></td></tr></td></tr></td></tr></td></tr></td></tr></td></tr></td></tr></td></tr></td></tr></td></tr></td></tr></td></tr></td></tr></td></tr></td></tr></td></tr></td></tr></td></tr>  | U-28 | " | " | V-675  | 122  | 1/2 | 2900   | 1\"/> <tr> <td>U-29</td> <td>"</td> <td>"</td> <td>V-675</td> <td>122</td> <td>1/2</td> <td>2900</td> <td>1\"/&gt;  <tr> <td>U-30</td> <td>"</td> <td>"</td> <td>V-675</td> <td>122</td> <td>1/2</td> <td>2900</td> <td>1\"/&gt;  <tr> <td>U-31</td> <td>"</td> <td>"</td> <td>V-675</td> <td>122</td> <td>1/2</td> <td>2900</td> <td>1\"/&gt;  <tr> <td>U-32</td> <td>"</td> <td>"</td> <td>V-675</td> <td>122</td> <td>1/2</td> <td>2900</td> <td>1\"/&gt;  <tr> <td>U-33</td> <td>"</td> <td>"</td> <td>V-675</td> <td>122</td> <td>1/2</td> <td>2900</td> <td>1\"/&gt;  <tr> <td>U-34</td> <td>"</td> <td>"</td> <td>V-675</td> <td>122</td> <td>1/2</td> <td>2900</td> <td>1\"/&gt;  <tr> <td>U-35</td> <td>"</td> <td>"</td> <td>V-675</td> <td>122</td> <td>1/2</td> <td>2900</td> <td>1\"/&gt;  <tr> <td>U-36</td> <td>"</td> <td>"</td> <td>V-675</td> <td>122</td> <td>1/2</td> <td>2900</td> <td>1\"/&gt;  <tr> <td>U-37</td> <td>"</td> <td>"</td> <td>V-675</td> <td>122</td> <td>1/2</td> <td>2900</td> <td>1\"/&gt;  <tr> <td>U-38</td> <td>"</td> <td>"</td> <td>V-675</td> <td>122</td> <td>1/2</td> <td>2900</td> <td>1\"/&gt;  <tr> <td>U-39</td> <td>"</td> <td>"</td> <td>V-675</td> <td>122</td> <td>1/2</td> <td>2900</td> <td>1\"/&gt;  <tr> <td>U-40</td> <td>"</td> <td>"</td> <td>V-675</td> <td>122</td> <td>1/2</td> <td>2900</td> <td>1\"/&gt;  <tr> <td>U-41</td> <td>"</td> <td>"</td> <td>V-675</td> <td>122</td> <td>1/2</td> <td>2900</td> <td>1\"/&gt;  <tr> <td>U-42</td> <td>"</td> <td>"</td> <td>V-675</td> <td>122</td> <td>1/2</td> <td>2900</td> <td>1\"/&gt;  <tr> <td>U-43</td> <td>"</td> <td>"</td> <td>V-675</td> <td>122</td> <td>1/2</td> <td>2900</td> <td>1\"/&gt;  <tr> <td>U-44</td> <td>"</td> <td>"</td> <td>V-675</td> <td>122</td> <td>1/2</td> <td>2900</td> <td>1\"/&gt;  <tr> <td>U-45</td> <td>"</td> <td>"</td> <td>V-675</td> <td>122</td> <td>1/2</td> <td>2900</td> <td>1\"/&gt;  <tr> <td>U-46</td> <td>"</td> <td>"</td> <td>V-675</td> <td>122</td> <td>1/2</td> <td>2900</td> <td>1\"/&gt;  <tr> <td>U-47</td> <td>"</td> <td>"</td> <td>V-675</td> <td>122</td> <td>1/2</td> <td>2900</td> <td>1\"/&gt;  <tr> <td>U-48</td> <td>"</td> <td>"</td> <td>V-675</td> <td>122</td> <td>1/2</td> <td>2900</td> <td>1\"/&gt;  <tr> <td>U-49</td> <td>"</td> <td>"</td> <td>V-675</td> <td>122</td> <td>1/2</td> <td>2900</td> <td>1\"/&gt;  <tr> <td>U-50</td> <td>"</td> <td>"</td> <td>V-675</td> <td>122</td> <td>1/2</td> <td>2900</td> <td>1\"/&gt;  </td></tr></td></tr></td></tr></td></tr></td></tr></td></tr></td></tr></td></tr></td></tr></td></tr></td></tr></td></tr></td></tr></td></tr></td></tr></td></tr></td></tr></td></tr></td></tr></td></tr></td></tr></td></tr>  
  | U-29 | " | " | V-675  | 122 | 1/2 | 2900   | 1\"/> <tr> <td>U-30</td> <td>"</td> <td>"</td> <td>V-675</td> <td>122</td> <td>1/2</td> <td>2900</td> <td>1\"/&gt;  <tr> <td>U-31</td> <td>"</td> <td>"</td> <td>V-675</td> <td>122</td> <td>1/2</td> <td>2900</td> <td>1\"/&gt;  <tr> <td>U-32</td> <td>"</td> <td>"</td> <td>V-675</td> <td>122</td> <td>1/2</td> <td>2900</td> <td>1\"/&gt;  <tr> <td>U-33</td> <td>"</td> <td>"</td> <td>V-675</td> <td>122</td> <td>1/2</td> <td>2900</td> <td>1\"/&gt;  <tr> <td>U-34</td> <td>"</td> <td>"</td> <td>V-675</td> <td>122</td> <td>1/2</td> <td>2900</td> <td>1\"/&gt;  <tr> <td>U-35</td> <td>"</td> <td>"</td> <td>V-675</td> <td>122</td> <td>1/2</td> <td>2900</td> <td>1\"/&gt;  <tr> <td>U-36</td> <td>"</td> <td>"</td> <td>V-675</td> <td>122</td> <td>1/2</td> <td>2900</td> <td>1\"/&gt;  <tr> <td>U-37</td> <td>"</td> <td>"</td> <td>V-675</td> <td>122</td> <td>1/2</td> <td>2900</td> <td>1\"/&gt;  <tr> <td>U-38</td> <td>"</td> <td>"</td> <td>V-675</td> <td>122</td> <td>1/2</td> <td>2900</td> <td>1\"/&gt;  <tr> <td>U-39</td> <td>"</td> <td>"</td> <td>V-675</td> <td>122</td> <td>1/2</td> <td>2900</td> <td>1\"/&gt;  <tr> <td>U-40</td> <td>"</td> <td>"</td> <td>V-675</td> <td>122</td> <td>1/2</td> <td>2900</td> <td>1\"/&gt;  <tr> <td>U-41</td> <td>"</td> <td>"</td> <td>V-675</td> <td>122</td> <td>1/2</td> <td>2900</td> <td>1\"/&gt;  <tr> <td>U-42</td> <td>"</td> <td>"</td> <td>V-675</td> <td>122</td> <td>1/2</td> <td>2900</td> <td>1\"/&gt;  <tr> <td>U-43</td> <td>"</td> <td>"</td> <td>V-675</td> <td>122</td> <td>1/2</td> <td>2900</td> <td>1\"/&gt;  <tr> <td>U-44</td> <td>"</td> <td>"</td> <td>V-675</td> <td>122</td> <td>1/2</td> <td>2900</td> <td>1\"/&gt;  <tr> <td>U-45</td> <td>"</td> <td>"</td> <td>V-675</td> <td>122</td> <td>1/2</td> <td>2900</td> <td>1\"/&gt;  <tr> <td>U-46</td> <td>"</td> <td>"</td> <td>V-675</td> <td>122</td> <td>1/2</td> <td>2900</td> <td>1\"/&gt;  <tr> <td>U-47</td> <td>"</td> <td>"</td> <td>V-675</td> <td>122</td> <td>1/2</td> <td>2900</td> <td>1\"/&gt;  <tr> <td>U-48</td> <td>"</td> <td>"</td> <td>V-675</td> <td>122</td> <td>1/2</td> <td>2900</td> <td>1\"/&gt;  <tr> <td>U-49</td> <td>"</td> <td>"</td> <td>V-675</td> <td>122</td> <td>1/2</td> <td>2900</td> <td>1\"/&gt;  <tr> <td>U-50</td> <td>"</td> <td>"</td> <td>V-675</td> <td>122</td> <td>1/2</td> <td>2900</td> <td>1\"/&gt;  </td></tr></td></tr></td></tr></td></tr></td></tr></td></tr></td></tr></td></tr></td></tr></td></tr></td></tr></td></tr></td></tr></td></tr></td></tr></td></tr></td></tr></td></tr></td></tr></td></tr></td></tr>   | U-30 | " | " | V-675 | 122 | 1/2 | 2900    | 1\"/> <tr> <td>U-31</td> <td>"</td> <td>"</td> <td>V-675</td> <td>122</td> <td>1/2</td> <td>2900</td> <td>1\"/&gt;  <tr> <td>U-32</td> <td>"</td> <td>"</td> <td>V-675</td> <td>122</td> <td>1/2</td> <td>2900</td> <td>1\"/&gt;  <tr> <td>U-33</td> <td>"</td> <td>"</td> <td>V-675</td> <td>122</td> <td>1/2</td> <td>2900</td> <td>1\"/&gt;  <tr> <td>U-34</td> <td>"</td> <td>"</td> <td>V-675</td> <td>122</td> <td>1/2</td> <td>2900</td> <td>1\"/&gt;  <tr> <td>U-35</td> <td>"</td> <td>"</td> <td>V-675</td> <td>122</td> <td>1/2</td> <td>2900</td> <td>1\"/&gt;  <tr> <td>U-36</td> <td>"</td> <td>"</td> <td>V-675</td> <td>122</td> <td>1/2</td> <td>2900</td> <td>1\"/&gt;  <tr> <td>U-37</td> <td>"</td> <td>"</td> <td>V-675</td> <td>122</td> <td>1/2</td> <td>2900</td> <td>1\"/&gt;  <tr> <td>U-38</td> <td>"</td> <td>"</td> <td>V-675</td> <td>122</td> <td>1/2</td> <td>2900</td> <td>1\"/&gt;  <tr> <td>U-39</td> <td>"</td> <td>"</td> <td>V-675</td> <td>122</td> <td>1/2</td> <td>2900</td> <td>1\"/&gt;  <tr> <td>U-40</td> <td>"</td> <td>"</td> <td>V-675</td> <td>122</td> <td>1/2</td> <td>2900</td> <td>1\"/&gt;  <tr> <td>U-41</td> <td>"</td> <td>"</td> <td>V-675</td> <td>122</td> <td>1/2</td> <td>2900</td> <td>1\"/&gt;  <tr> <td>U-42</td> <td>"</td> <td>"</td> <td>V-675</td> <td>122</td> <td>1/2</td> <td>2900</td> <td>1\"/&gt;  <tr> <td>U-43</td> <td>"</td> <td>"</td> <td>V-675</td> <td>122</td> <td>1/2</td> <td>2900</td> <td>1\"/&gt;  <tr> <td>U-44</td> <td>"</td> <td>"</td> <td>V-675</td> <td>122</td> <td>1/2</td> <td>2900</td> <td>1\"/&gt;  <tr> <td>U-45</td> <td>"</td> <td>"</td> <td>V-675</td> <td>122</td> <td>1/2</td> <td>2900</td> <td>1\"/&gt;  <tr> <td>U-46</td> <td>"</td> <td>"</td> <td>V-675</td> <td>122</td> <td>1/2</td> <td>2900</td> <td>1\"/&gt;  <tr> <td>U-47</td> <td>"</td> <td>"</td>
<td>V-675</td> <td>122</td> <td>1/2</td> <td>2900</td> <td>1\"/&gt;  <tr> <td>U-48</td> <td>"</td> <td>"</td> <td>V-675</td> <td>122</td> <td>1/2</td> <td>2900</td> <td>1\"/&gt;  <tr> <td>U-49</td> <td>"</td> <td>"</td> <td>V-675</td> <td>122</td> <td>1/2</td> <td>2900</td> <td>1\"/&gt;  <tr> <td>U-50</td> <td>"</td> <td>"</td> <td>V-675</td> <td>122</td> <td>1/2</td> <td>2900</td> <td>1\"/&gt;  </td></tr></td></tr></td></tr></td></tr></td></tr></td></tr></td></tr></td></tr></td></tr></td></tr></td></tr></td></tr></td></tr></td></tr></td></tr></td></tr></td></tr></td></tr></td></tr></td></tr>  | U-31 | " | " | V-675 | 122 | 1/2 | 2900   | 1\"/> <tr> <td>U-32</td> <td>"</td> <td>"</td> <td>V-675</td> <td>122</td> <td>1/2</td> <td>2900</td> <td>1\"/&gt;  <tr> <td>U-33</td> <td>"</td> <td>"</td> <td>V-675</td> <td>122</td> <td>1/2</td> <td>2900</td> <td>1\"/&gt;  <tr> <td>U-34</td> <td>"</td> <td>"</td> <td>V-675</td> <td>122</td> <td>1/2</td> <td>2900</td> <td>1\"/&gt;  <tr> <td>U-35</td> <td>"</td> <td>"</td> <td>V-675</td> <td>122</td> <td>1/2</td> <td>2900</td> <td>1\"/&gt;  <tr> <td>U-36</td> <td>"</td> <td>"</td> <td>V-675</td> <td>122</td> <td>1/2</td> <td>2900</td> <td>1\"/&gt;  <tr> <td>U-37</td> <td>"</td> <td>"</td> <td>V-675</td> <td>122</td> <td>1/2</td> <td>2900</td> <td>1\"/&gt;  <tr> <td>U-38</td> <td>"</td> <td>"</td> <td>V-675</td> <td>122</td> <td>1/2</td> <td>2900</td> <td>1\"/&gt;  <tr> <td>U-39</td> <td>"</td> <td>"</td> <td>V-675</td> <td>122</td> <td>1/2</td> <td>2900</td> <td>1\"/&gt;  <tr> <td>U-40</td> <td>"</td> <td>"</td> <td>V-675</td> <td>122</td> <td>1/2</td> <td>2900</td> <td>1\"/&gt;  <tr> <td>U-41</td> <td>"</td> <td>"</td> <td>V-675</td> <td>122</td> <td>1/2</td> <td>2900</td> <td>1\"/&gt;  <tr> <td>U-42</td> <td>"</td> <td>"</td> <td>V-675</td> <td>122</td> <td>1/2</td> <td>2900</td> <td>1\"/&gt;  <tr> <td>U-43</td> <td>"</td> <td>"</td> <td>V-675</td> <td>122</td> <td>1/2</td> <td>2900</td> <td>1\"/&gt;  <tr> <td>U-44</td> <td>"</td> <td>"</td> <td>V-675</td> <td>122</td> <td>1/2</td> <td>2900</td> <td>1\"/&gt;  <tr> <td>U-45</td> <td>"</td> <td>"</td> <td>V-675</td> <td>122</td> <td>1/2</td> <td>2900</td> <td>1\"/&gt;  <tr> <td>U-46</td> <td>"</td> <td>"</td> <td>V-675</td> <td>122</td> <td>1/2</td> <td>2900</td> <td>1\"/&gt;  <tr> <td>U-47</td> <td>"</td> <td>"</td> <td>V-675</td> <td>122</td> <td>1/2</td> <td>2900</td> <td>1\"/&gt;  <tr> <td>U-48</td> <td>"</td> <td>"</td> <td>V-675</td> <td>122</td> <td>1/2</td> <td>2900</td> <td>1\"/&gt;  <tr> <td>U-49</td> <td>"</td> <td>"</td> <td>V-675</td> <td>122</td> <td>1/2</td> <td>2900</td> <td>1\"/&gt;  <tr> <td>U-50</td> <td>"</td> <td>"</td> <td>V-675</td> <td>122</td> <td>1/2</td> <td>2900</td> <td>1\"/&gt;  </td></tr></td></tr></td></tr></td></tr></td></tr></td></tr></td></tr></td></tr></td></tr></td></tr></td></tr></td></tr></td></tr></td></tr></td></tr></td></tr></td></tr></td></tr></td></tr>   | U-32 | " | " | V-675 | 122 | 1/2 | 2900    | 1\"/> <tr> <td>U-33</td> <td>"</td> <td>"</td> <td>V-675</td> <td>122</td> <td>1/2</td> <td>2900</td> <td>1\"/&gt;  <tr> <td>U-34</td> <td>"</td> <td>"</td> <td>V-675</td> <td>122</td> <td>1/2</td> <td>2900</td> <td>1\"/&gt;  <tr> <td>U-35</td> <td>"</td> <td>"</td> <td>V-675</td> <td>122</td> <td>1/2</td> <td>2900</td> <td>1\"/&gt;  <tr> <td>U-36</td> <td>"</td> <td>"</td> <td>V-675</td> <td>122</td> <td>1/2</td> <td>2900</td> <td>1\"/&gt;  <tr> <td>U-37</td> <td>"</td> <td>"</td> <td>V-675</td> <td>122</td> <td>1/2</td> <td>2900</td> <td>1\"/&gt;  <tr> <td>U-38</td> <td>"</td> <td>"</td> <td>V-675</td> <td>122</td> <td>1/2</td> <td>2900</td> <td>1\"/&gt;  <tr> <td>U-39</td> <td>"</td> <td>"</td> <td>V-675</td> <td>122</td> <td>1/2</td> <td>2900</td> <td>1\"/&gt;  <tr>
<td>U-40</td> <td>"</td> <td>"</td> <td>V-675</td> <td>122</td> <td>1/2</td> <td>2900</td> <td>1\"/&gt;  <tr> <td>U-41</td> <td>"</td> <td>"</td> <td>V-675</td> <td>122</td> <td>1/2</td> <td>2900</td> <td>1\"/&gt;  <tr> <td>U-42</td> <td>"</td> <td>"</td> <td>V-675</td> <td>122</td> <td>1/2</td> <td>2900</td> <td>1\"/&gt;  <tr> <td>U-43</td> <td>"</td> <td>"</td> <td>V-675</td> <td>122</td> <td>1/2</td> <td>2900</td> <td>1\"/&gt;  <tr> <td>U-44</td> <td>"</td> <td>"</td> <td>V-675</td> <td>122</td> <td>1/2</td> <td>2900</td> <td>1\"/&gt;  <tr> <td>U-45</td> <td>"</td> <td>"</td> <td>V-675</td> <td>122</td> <td>1/2</td> <td>2900</td> <td>1\"/&gt;  <tr> <td>U-46</td> <td>"</td> <td>"</td> <td>V-675</td> <td>122</td> <td>1/2</td> <td>2900</td> <td>1\"/&gt;  <tr> <td>U-47</td> <td>"</td> <td>"</td> <td>V-675</td> <td>122</td> <td>1/2</td> <td>2900</td> <td>1\"/&gt;  <tr> <td>U-48</td> <td>"</td> <td>"</td> <td>V-675</td> <td>122</td> <td>1/2</td> <td>2900</td> <td>1\"/&gt;  <tr> <td>U-49</td> <td>"</td> <td>"</td> <td>V-675</td> <td>122</td> <td>1/2</td> <td>2900</td> <td>1\"/&gt;  <tr> <td>U-50</td> <td>"</td> <td>"</td> <td>V-675</td> <td>122</td> <td>1/2</td> <td>2900</td> <td>1\"/&gt;  </td></tr></td></tr></td></tr></td></tr></td></tr></td></tr></td></tr></td></tr></td></tr></td></tr></td></tr></td></tr></td></tr></td></tr></td></tr></td></tr></td></tr></td></tr>  | U-33 | "           | "      | V-675  | 122  | 1/2 | 2900 | 1\"/> <tr> <td>U-34</td> <td>"</td> <td>"</td> <td>V-675</td> <td>122</td> <td>1/2</td> <td>2900</td> <td>1\"/&gt;  <tr> <td>U-35</td> <td>"</td> <td>"</td> <td>V-675</td> <td>122</td> <td>1/2</td> <td>2900</td> <td>1\"/&gt;  <tr> <td>U-36</td> <td>"</td> <td>"</td> <td>V-675</td> <td>122</td> <td>1/2</td> <td>2900</td> <td>1\"/&gt;  <tr> <td>U-37</td> <td>"</td> <td>"</td> <td>V-675</td> <td>122</td> <td>1/2</td> <td>2900</td> <td>1\"/&gt;  <tr> <td>U-38</td> <td>"</td> <td>"</td> <td>V-675</td> <td>122</td> <td>1/2</td> <td>2900</td> <td>1\"/&gt;  <tr> <td>U-39</td> <td>"</td> <td>"</td> <td>V-675</td> <td>122</td> <td>1/2</td> <td>2900</td> <td>1\"/&gt;  <tr> <td>U-40</td> <td>"</td> <td>"</td> <td>V-675</td> <td>122</td> <td>1/2</td> <td>2900</td> <td>1\"/&gt;  <tr> <td>U-41</td> <td>"</td> <td>"</td> <td>V-675</td> <td>122</td> <td>1/2</td> <td>2900</td> <td>1\"/&gt;  <tr> <td>U-42</td> <td>"</td> <td>"</td> <td>V-675</td> <td>122</td> <td>1/2</td> <td>2900</td> <td>1\"/&gt;  <tr> <td>U-43</td> <td>"</td> <td>"</td> <td>V-675</td> <td>122</td> <td>1/2</td> <td>2900</td> <td>1\"/&gt;  <tr> <td>U-44</td> <td>"</td> <td>"</td> <td>V-675</td> <td>122</td> <td>1/2</td> <td>2900</td> <td>1\"/&gt;  <tr> <td>U-45</td> <td>"</td> <td>"</td> <td>V-675</td> <td>122</td> <td>1/2</td> <td>2900</td> <td>1\"/&gt;  <tr> <td>U-46</td> <td>"</td> <td>"</td> <td>V-675</td> <td>122</td> <td>1/2</td> <td>2900</td> <td>1\"/&gt;  <tr> <td>U-47</td> <td>"</td> <td>"</td> <td>V-675</td> <td>122</td> <td>1/2</td> <td>2900</td> <td>1\"/&gt;  <tr> <td>U-48</td> <td>"</td> <td>"</td> <td>V-675</td> <td>122</td> <td>1/2</td> <td>2900</td> <td>1\"/&gt;  <tr> <td>U-49</td> <td>"</td> <td>"</td> <td>V-675</td> <td>122</td> <td>1/2</td> <td>2900</td> <td>1\"/&gt;  <tr> <td>U-50</td> <td>"</td> <td>"</td> <td>V-675</td> <td>122</td> <td>1/2</td> <td>2900</td> <td>1\"/&gt;  </td></tr></td></tr></td></tr></td></tr></td></tr></td></tr></td></tr></td></tr></td></tr></td></tr></td></tr></td></tr></td></tr></td></tr></td></tr></td></tr></td></tr>   
  | U-34 | " | " | V-675  | 122  | 1/2 | 2900 | 1\"/> <tr> <td>U-35</td> <td>"</td> <td>"</td> <td>V-675</td> <td>122</td> <td>1/2</td> <td>2900</td> <td>1\"/&gt;  <tr> <td>U-36</td> <td>"</td> <td>"</td> <td>V-675</td> <td>122</td> <td>1/2</td> <td>2900</td> <td>1\"/&gt;  <tr> <td>U-37</td> <td>"</td> <td>"</td> <td>V-675</td> <td>122</td> <td>1/2</td> <td>2900</td> <td>1\"/&gt;  <tr> <td>U-38</td> <td>"</td> <td>"</td> <td>V-675</td> <td>122</td> <td>1/2</td> <td>2900</td> <td>1\"/&gt;  <tr> <td>U-39</td> <td>"</td> <td>"</td> <td>V-675</td> <td>122</td> <td>1/2</td> <td>2900</td> <td>1\"/&gt;  <tr> <td>U-40</td> <td>"</td> <td>"</td> <td>V-675</td> <td>122</td> <td>1/2</td> <td>2900</td> <td>1\"/&gt;  <tr> <td>U-41</td> <td>"</td> <td>"</td> <td>V-675</td> <td>122</td> <td>1/2</td> <td>2900</td> <td>1\"/&gt;  <tr> <td>U-42</td> <td>"</td> <td>"</td> <td>V-675</td> <td>122</td> <td>1/2</td> <td>2900</td> <td>1\"/&gt;  <tr> <td>U-43</td> <td>"</td> <td>"</td> <td>V-675</td> <td>122</td> <td>1/2</td> <td>2900</td> <td>1\"/&gt;  <tr> <td>U-44</td> <td>"</td> <td>"</td> <td>V-675</td> <td>122</td> <td>1/2</td> <td>2900</td> <td>1\"/&gt;  <tr> <td>U-45</td> <td>"</td> <td>"</td> <td>V-675</td> <td>122</td> <td>1/2</td> <td>2900</td> <td>1\"/&gt;  <tr> <td>U-46</td> <td>"</td> <td>"</td> <td>V-675</td> <td>122</td> <td>1/2</td> <td>2900</td> <td>1\"/&gt;  <tr> <td>U-47</td> <td>"</td> <td>"</td> <td>V-675</td> <td>122</td> <td>1/2</td> <td>2900</td> <td>1\"/&gt;  <tr> <td>U-48</td> <td>"</td> <td>"</td> <td>V-675</td> <td>122</td> <td>1/2</td> <td>2900</td> <td>1\"/&gt;  <tr> <td>U-49</td> <td>"</td> <td>"</td> <td>V-675</td> <td>122</td> <td>1/2</td> <td>2900</td> <td>1\"/&gt;  <tr> <td>U-50</td> <td>"</td> <td>"</td> <td>V-675</td> <td>122</td> <td>1/2</td> <td>2900</td> <td>1\"/&gt;  </td></tr></td></tr></td></tr></td></tr></td></tr></td></tr></td></tr></td></tr></td></tr></td></tr></td></tr></td></tr></td></tr></td></tr></td></tr></td></tr>   | U-35 | " | " | V-675  | 122 | 1/2 | 2900 | 1\"/> <tr> <td>U-36</td> <td>"</td> <td>"</td> <td>V-675</td> <td>122</td> <td>1/2</td> <td>2900</td> <td>1\"/&gt;  <tr> <td>U-37</td> <td>"</td> <td>"</td> <td>V-675</td> <td>122</td> <td>1/2</td> <td>2900</td> <td>1\"/&gt;  <tr> <td>U-38</td> <td>"</td> <td>"</td> <td>V-675</td> <td>122</td> <td>1/2</td> <td>2900</td> <td>1\"/&gt;  <tr> <td>U-39</td> <td>"</td> <td>"</td> <td>V-675</td> <td>122</td> <td>1/2</td> <td>2900</td> <td>1\"/&gt;  <tr> <td>U-40</td> <td>"</td> <td>"</td> <td>V-675</td> <td>122</td> <td>1/2</td> <td>2900</td> <td>1\"/&gt;  <tr> <td>U-41</td> <td>"</td> <td>"</td> <td>V-675</td> <td>122</td> <td>1/2</td> <td>2900</td> <td>1\"/&gt;  <tr> <td>U-42</td> <td>"</td> <td>"</td> <td>V-675</td> <td>122</td> <td>1/2</td> <td>2900</td> <td>1\"/&gt;  <tr> <td>U-43</td> <td>"</td> <td>"</td> <td>V-675</td> <td>122</td> <td>1/2</td> <td>2900</td> <td>1\"/&gt;  <tr> <td>U-44</td> <td>"</td> <td>"</td> <td>V-675</td> <td>122</td> <td>1/2</td> <td>2900</td> <td>1\"/&gt;  <tr> <td>U-45</td> <td>"</td> <td>"</td> <td>V-675</td> <td>122</td> <td>1/2</td> <td>2900</td> <td>1\"/&gt;  <tr> <td>U-46</td> <td>"</td> <td>"</td> <td>V-675</td> <td>122</td> <td>1/2</td> <td>2900</td> <td>1\"/&gt;  <tr> <td>U-47</td> <td>"</td> <td>"</td> <td>V-675</td> <td>122</td> <td>1/2</td> <td>2900</td> <td>1\"/&gt;  <tr> <td>U-48</td> <td>"</td> <td>"</td> <td>V-675</td> <td>122</td> <td>1/2</td> <td>2900</td> <td>1\"/&gt;  <tr> <td>U-49</td> <td>"</td> <td>"</td> <td>V-675</td> <td>122</td> <td>1/2</td> <td>2900</td> <td>1\"/&gt;  <tr> <td>U-50</td> <td>"</td> <td>"</td> <td>V-675</td> <td>122</td> <td>1/2</td> <td>2900</td> <td>1\"/&gt;  </td></tr></td></tr></td></tr></td></tr></td></tr></td></tr></td></tr></td></tr></td></tr></td></tr></td></tr></td></tr></td></tr></td></tr></td></tr>   
   | U-36 | " | " | V-675 | 122 | 1/2 | 2900 | 1\"/> <tr> <td>U-37</td> <td>"</td> <td>"</td> <td>V-675</td> <td>122</td> <td>1/2</td> <td>2900</td> <td>1\"/&gt;  <tr> <td>U-38</td> <td>"</td> <td>"</td> <td>V-675</td> <td>122</td> <td>1/2</td> <td>2900</td> <td>1\"/&gt;  <tr> <td>U-39</td> <td>"</td> <td>"</td> <td>V-675</td> <td>122</td> <td>1/2</td> <td>2900</td> <td>1\"/&gt;  <tr> <td>U-40</td> <td>"</td> <td>"</td> <td>V-675</td> <td>122</td> <td>1/2</td> <td>2900</td> <td>1\"/&gt;  <tr> <td>U-41</td> <td>"</td> <td>"</td> <td>V-675</td> <td>122</td> <td>1/2</td> <td>2900</td> <td>1\"/&gt;  <tr> <td>U-42</td> <td>"</td> <td>"</td> <td>V-675</td> <td>122</td> <td>1/2</td> <td>2900</td> <td>1\"/&gt;  <tr> <td>U-43</td> <td>"</td> <td>"</td> <td>V-675</td> <td>122</td> <td>1/2</td> <td>2900</td> <td>1\"/&gt;  <tr> <td>U-44</td> <td>"</td> <td>"</td> <td>V-675</td> <td>122</td> <td>1/2</td> <td>2900</td> <td>1\"/&gt;  <tr> <td>U-45</td> <td>"</td> <td>"</td> <td>V-675</td> <td>122</td> <td>1/2</td> <td>2900</td> <td>1\"/&gt;  <tr> <td>U-46</td> <td>"</td> <td>"</td> <td>V-675</td> <td>122</td> <td>1/2</td> <td>2900</td> <td>1\"/&gt;  <tr> <td>U-47</td> <td>"</td> <td>"</td> <td>V-675</td> <td>122</td> <td>1/2</td> <td>2900</td> <td>1\"/&gt;  <tr> <td>U-48</td> <td>"</td> <td>"</td> <td>V-675</td> <td>122</td> <td>1/2</td> <td>2900</td> <td>1\"/&gt;  <tr> <td>U-49</td> <td>"</td> <td>"</td> <td>V-675</td> <td>122</td> <td>1/2</td> <td>2900</td> <td>1\"/&gt;  <tr> <td>U-50</td> <td>"</td> <td>"</td> <td>V-675</td> <td>122</td> <td>1/2</td> <td>2900</td> <td>1\"/&gt;  </td></tr></td></tr></td></tr></td></tr></td></tr></td></tr></td></tr></td></tr></td></tr></td></tr></td></tr></td></tr></td></tr></td></tr>  | U-37 | " | " | V-675 | 122 | 1/2 | 2900 | 1\"/> <tr> <td>U-38</td> <td>"</td> <td>"</td> <td>V-675</td> <td>122</td> <td>1/2</td> <td>2900</td> <td>1\"/&gt;  <tr> <td>U-39</td> <td>"</td> <td>"</td> <td>V-675</td> <td>122</td> <td>1/2</td> <td>2900</td> <td>1\"/&gt;  <tr> <td>U-40</td> <td>"</td> <td>"</td> <td>V-675</td> <td>122</td> <td>1/2</td> <td>2900</td> <td>1\"/&gt;  <tr> <td>U-41</td> <td>"</td> <td>"</td> <td>V-675</td> <td>122</td> <td>1/2</td> <td>2900</td> <td>1\"/&gt;  <tr> <td>U-42</td> <td>"</td> <td>"</td> <td>V-675</td> <td>122</td> <td>1/2</td> <td>2900</td> <td>1\"/&gt;  <tr> <td>U-43</td> <td>"</td> <td>"</td> <td>V-675</td> <td>122</td> <td>1/2</td> <td>2900</td> <td>1\"/&gt;  <tr> <td>U-44</td> <td>"</td> <td>"</td> <td>V-675</td> <td>122</td> <td>1/2</td> <td>2900</td> <td>1\"/&gt;  <tr> <td>U-45</td> <td>"</td> <td>"</td> <td>V-675</td> <td>122</td> <td>1/2</td> <td>2900</td> <td>1\"/&gt;  <tr> <td>U-46</td> <td>"</td> <td>"</td> <td>V-675</td> <td>122</td> <td>1/2</td> <td>2900</td> <td>1\"/&gt;  <tr> <td>U-47</td> <td>"</td> <td>"</td> <td>V-675</td> <td>122</td> <td>1/2</td> <td>2900</td> <td>1\"/&gt;  <tr> <td>U-48</td> <td>"</td> <td>"</td> <td>V-675</td> <td>122</td> <td>1/2</td> <td>2900</td> <td>1\"/&gt;  <tr> <td>U-49</td> <td>"</td> <td>"</td> <td>V-675</td> <td>122</td> <td>1/2</td> <td>2900</td> <td>1\"/&gt;  <tr> <td>U-50</td> <td>"</td> <td>"</td> <td>V-675</td> <td>122</td> <td>1/2</td> <td>2900</td> <td>1\"/&gt;  </td></tr></td></tr></td></tr></td></tr></td></tr></td></tr></td></tr></td></tr></td></tr></td></tr></td></tr></td></tr></td></tr>  
  | U-38 | " | " | V-675 | 122 | 1/2 | 2900 | 1\"/> <tr> <td>U-39</td> <td>"</td> <td>"</td> <td>V-675</td> <td>122</td> <td>1/2</td> <td>2900</td> <td>1\"/&gt;  <tr> <td>U-40</td> <td>"</td> <td>"</td> <td>V-675</td> <td>122</td> <td>1/2</td> <td>2900</td> <td>1\"/&gt;  <tr> <td>U-41</td> <td>"</td> <td>"</td> <td>V-675</td> <td>122</td> <td>1/2</td> <td>2900</td> <td>1\"/&gt;  <tr> <td>U-42</td> <td>"</td> <td>"</td> <td>V-675</td> <td>122</td> <td>1/2</td> <td>2900</td> <td>1\"/&gt;  <tr> <td>U-43</td> <td>"</td> <td>"</td> <td>V-675</td> <td>122</td> <td>1/2</td> <td>2900</td> <td>1\"/&gt;  <tr> <td>U-44</td> <td>"</td> <td>"</td> <td>V-675</td> <td>122</td> <td>1/2</td> <td>2900</td> <td>1\"/&gt;  <tr> <td>U-45</td> <td>"</td> <td>"</td> <td>V-675</td> <td>122</td> <td>1/2</td> <td>2900</td> <td>1\"/&gt;  <tr> <td>U-46</td> <td>"</td> <td>"</td> <td>V-675</td> <td>122</td> <td>1/2</td> <td>2900</td> <td>1\"/&gt;  <tr> <td>U-47</td> <td>"</td> <td>"</td> <td>V-675</td> <td>122</td> <td>1/2</td> <td>2900</td> <td>1\"/&gt;  <tr> <td>U-48</td> <td>"</td> <td>"</td> <td>V-675</td> <td>122</td> <td>1/2</td> <td>2900</td> <td>1\"/&gt;  <tr> <td>U-49</td> <td>"</td> <td>"</td> <td>V-675</td> <td>122</td> <td>1/2</td> <td>2900</td> <td>1\"/&gt;  <tr> <td>U-50</td> <td>"</td> <td>"</td> <td>V-675</td> <td>122</td> <td>1/2</td> <td>2900</td> <td>1\"/&gt;  </td></tr></td></tr></td></tr></td></tr></td></tr></td></tr></td></tr></td></tr></td></tr></td></tr></td></tr></td></tr>  | U-39 | " | " | V-675 | 122 | 1/2 | 2900 | 1\"/> <tr> <td>U-40</td> <td>"</td> <td>"</td> <td>V-675</td> <td>122</td> <td>1/2</td> <td>2900</td> <td>1\"/&gt;  <tr> <td>U-41</td> <td>"</td> <td>"</td> <td>V-675</td> <td>122</td> <td>1/2</td> <td>2900</td> <td>1\"/&gt;  <tr> <td>U-42</td> <td>"</td> <td>"</td> <td>V-675</td> <td>122</td> <td>1/2</td> <td>2900</td> <td>1\"/&gt;  <tr> <td>U-43</td> <td>"</td> <td>"</td> <td>V-675</td> <td>122</td> <td>1/2</td> <td>2900</td> <td>1\"/&gt;  <tr> <td>U-44</td> <td>"</td> <td>"</td> <td>V-675</td> <td>122</td> <td>1/2</td> <td>2900</td> <td>1\"/&gt;  <tr> <td>U-45</td> <td>"</td> <td>"</td> <td>V-675</td> <td>122</td> <td>1/2</td> <td>2900</td> <td>1\"/&gt;  <tr> <td>U-46</td> <td>"</td> <td>"</td> <td>V-675</td> <td>122</td> <td>1/2</td> <td>2900</td> <td>1\"/&gt;  <tr> <td>U-47</td> <td>"</td> <td>"</td> <td>V-675</td> <td>122</td> <td>1/2</td> <td>2900</td> <td>1\"/&gt;  <tr> <td>U-48</td> <td>"</td> <td>"</td> <td>V-675</td> <td>122</td> <td>1/2</td> <td>2900</td> <td>1\"/&gt;  <tr> <td>U-49</td> <td>"</td> <td>"</td> <td>V-675</td> <td>122</td> <td>1/2</td> <td>2900</td> <td>1\"/&gt;  <tr> <td>U-50</td> <td>"</td> <td>"</td> <td>V-675</td> <td>122</td> <td>1/2</td> <td>2900</td> <td>1\"/&gt;  </td></tr></td></tr></td></tr></td></tr></td></tr></td></tr></td></tr></td></tr></td></tr></td></tr></td></tr>   
   | U-40 | " | " | V-675 | 122 | 1/2 | 2900 | 1\"/> <tr> <td>U-41</td> <td>"</td> <td>"</td> <td>V-675</td> <td>122</td> <td>1/2</td> <td>2900</td> <td>1\"/&gt;  <tr> <td>U-42</td> <td>"</td> <td>"</td> <td>V-675</td> <td>122</td> <td>1/2</td> <td>2900</td> <td>1\"/&gt;  <tr> <td>U-43</td> <td>"</td> <td>"</td> <td>V-675</td> <td>122</td> <td>1/2</td> <td>2900</td> <td>1\"/&gt;  <tr> <td>U-44</td> <td>"</td> <td>"</td> <td>V-675</td> <td>122</td> <td>1/2</td> <td>2900</td> <td>1\"/&gt;  <tr> <td>U-45</td> <td>"</td> <td>"</td> <td>V-675</td> <td>122</td> <td>1/2</td> <td>2900</td> <td>1\"/&gt;  <tr> <td>U-46</td> <td>"</td> <td>"</td> <td>V-675</td> <td>122</td> <td>1/2</td> <td>2900</td> <td>1\"/&gt;  <tr> <td>U-47</td> <td>"</td> <td>"</td> <td>V-675</td> <td>122</td> <td>1/2</td> <td>2900</td> <td>1\"/&gt;  <tr> <td>U-48</td> <td>"</td> <td>"</td> <td>V-675</td> <td>122</td> <td>1/2</td> <td>2900</td> <td>1\"/&gt;  <tr> <td>U-49</td> <td>"</td> <td>"</td> <td>V-675</td> <td>122</td> <td>1/2</td> <td>2900</td> <td>1\"/&gt;  <tr> <td>U-50</td> <td>"</td> <td>"</td> <td>V-675</td> <td>122</td> <td>1/2</td> <td>2900</td> <td>1\"/&gt;  </td></tr></td></tr></td></tr></td></tr></td></tr></td></tr></td></tr></td></tr></td></tr></td></tr>  | U-41 | " | " | V-675 | 122 | 1/2 | 2900 | 1\"/> <tr> <td>U-42</td> <td>"</td> <td>"</td> <td>V-675</td> <td>122</td> <td>1/2</td> <td>2900</td> <td>1\"/&gt;  <tr> <td>U-43</td> <td>"</td> <td>"</td> <td>V-675</td> <td>122</td> <td>1/2</td> <td>2900</td> <td>1\"/&gt;  <tr> <td>U-44</td> <td>"</td> <td>"</td> <td>V-675</td> <td>122</td> <td>1/2</td> <td>2900</td> <td>1\"/&gt;  <tr> <td>U-45</td> <td>"</td> <td>"</td> <td>V-675</td> <td>122</td> <td>1/2</td> <td>2900</td> <td>1\"/&gt;  <tr> <td>U-46</td> <td>"</td> <td>"</td> <td>V-675</td> <td>122</td> <td>1/2</td> <td>2900</td> <td>1\"/&gt;  <tr> <td>U-47</td> <td>"</td> <td>"</td> <td>V-675</td> <td>122</td> <td>1/2</td> <td>2900</td> <td>1\"/&gt;  <tr> <td>U-48</td> <td>"</td> <td>"</td> <td>V-675</td> <td>122</td> <td>1/2</td> <td>2900</td> <td>1\"/&gt;  <tr> <td>U-49</td> <td>"</td> <td>"</td> <td>V-675</td> <td>122</td> <td>1/2</td> <td>2900</td> <td>1\"/&gt;  <tr> <td>U-50</td> <td>"</td> <td>"</td> <td>V-675</td> <td>122</td> <td>1/2</td> <td>2900</td> <td>1\"/&gt;  </td></tr></td></tr></td></tr></td></tr></td></tr></td></tr></td></tr></td></tr></td></tr>  
  | U-42 | " | " | V-675 | 122 | 1/2 | 2900 | 1\"/> <tr> <td>U-43</td> <td>"</td> <td>"</td> <td>V-675</td> <td>122</td> <td>1/2</td> <td>2900</td> <td>1\"/&gt;  <tr> <td>U-44</td> <td>"</td> <td>"</td> <td>V-675</td> <td>122</td> <td>1/2</td> <td>2900</td> <td>1\"/&gt;  <tr> <td>U-45</td> <td>"</td> <td>"</td> <td>V-675</td> <td>122</td> <td>1/2</td> <td>2900</td> <td>1\"/&gt;  <tr> <td>U-46</td> <td>"</td> <td>"</td> <td>V-675</td> <td>122</td> <td>1/2</td> <td>2900</td> <td>1\"/&gt;  <tr> <td>U-47</td> <td>"</td> <td>"</td> <td>V-675</td> <td>122</td> <td>1/2</td> <td>2900</td> <td>1\"/&gt;  <tr> <td>U-48</td> <td>"</td> <td>"</td> <td>V-675</td> <td>122</td> <td>1/2</td> <td>2900</td> <td>1\"/&gt;  <tr> <td>U-49</td> <td>"</td> <td>"</td> <td>V-675</td> <td>122</td> <td>1/2</td> <td>2900</td> <td>1\"/&gt;  <tr> <td>U-50</td> <td>"</td> <td>"</td> <td>V-675</td> <td>122</td> <td>1/2</td> <td>2900</td> <td>1\"/&gt;  </td></tr></td></tr></td></tr></td></tr></td></tr></td></tr></td></tr></td></tr>   | U-43 | " | " | V-675 | 122 | 1/2 | 2900 | 1\"/> <tr> <td>U-44</td> <td>"</td> <td>"</td> <td>V-675</td> <td>122</td> <td>1/2</td> <td>2900</td> <td>1\"/&gt;  <tr> <td>U-45</td> <td>"</td> <td>"</td> <td>V-675</td> <td>122</td> <td>1/2</td> <td>2900</td> <td>1\"/&gt;  <tr> <td>U-46</td> <td>"</td> <td>"</td> <td>V-675</td> <td>122</td> <td>1/2</td> <td>2900</td> <td>1\"/&gt;  <tr> <td>U-47</td> <td>"</td> <td>"</td> <td>V-675</td> <td>122</td> <td>1/2</td> <td>2900</td> <td>1\"/&gt;  <tr> <td>U-48</td> <td>"</td> <td>"</td> <td>V-675</td> <td>122</td> <td>1/2</td> <td>2900</td> <td>1\"/&gt;  <tr> <td>U-49</td> <td>"</td> <td>"</td> <td>V-675</td> <td>122</td> <td>1/2</td> <td>2900</td> <td>1\"/&gt;  <tr> <td>U-50</td> <td>"</td> <td>"</td> <td>V-675</td> <td>122</td> <td>1/2</td> <td>2900</td> <td>1\"/&gt;  </td></tr></td></tr></td></tr></td></tr></td></tr></td></tr></td></tr>  
  | U-44 | " | " | V-675 | 122 | 1/2 | 2900 | 1\"/> <tr> <td>U-45</td> <td>"</td> <td>"</td> <td>V-675</td> <td>122</td> <td>1/2</td> <td>2900</td> <td>1\"/&gt;  <tr> <td>U-46</td> <td>"</td> <td>"</td> <td>V-675</td> <td>122</td> <td>1/2</td> <td>2900</td> <td>1\"/&gt;  <tr> <td>U-47</td> <td>"</td> <td>"</td> <td>V-675</td> <td>122</td> <td>1/2</td> <td>2900</td> <td>1\"/&gt;  <tr> <td>U-48</td> <td>"</td> <td>"</td> <td>V-675</td> <td>122</td> <td>1/2</td> <td>2900</td> <td>1\"/&gt;  <tr> <td>U-49</td> <td>"</td> <td>"</td> <td>V-675</td> <td>122</td> <td>1/2</td> <td>2900</td> <td>1\"/&gt;  <tr> <td>U-50</td> <td>"</td> <td>"</td> <td>V-675</td> <td>122</td> <td>1/2</td> <td>2900</td> <td>1\"/&gt;  </td></tr></td></tr></td></tr></td></tr></td></tr></td></tr>   | U-45 | " | " | V-675 | 122 | 1/2 | 2900 | 1\"/> <tr> <td>U-46</td> <td>"</td> <td>"</td> <td>V-675</td> <td>122</td> <td>1/2</td> <td>2900</td> <td>1\"/&gt;  <tr> <td>U-47</td> <td>"</td> <td>"</td> <td>V-675</td> <td>122</td> <td>1/2</td> <td>2900</td> <td>1\"/&gt;  <tr> <td>U-48</td> <td>"</td> <td>"</td> <td>V-675</td> <td>122</td> <td>1/2</td> <td>2900</td> <td>1\"/&gt;  <tr> <td>U-49</td> <td>"</td> <td>"</td> <td>V-675</td> <td>122</td> <td>1/2</td> <td>2900</td> <td>1\"/&gt;  <tr> <td>U-50</td> <td>"</td> <td>"</td> <td>V-675</td> <td>122</td> <td>1/2</td> <td>2900</td> <td>1\"/&gt;  </td></tr></td></tr></td></tr></td></tr></td></tr>  
  | U-46 | " | " | V-675 | 122 | 1/2 | 2900 | 1\"/> <tr> <td>U-47</td> <td>"</td> <td>"</td> <td>V-675</td> <td>122</td> <td>1/2</td> <td>2900</td> <td>1\"/&gt;  <tr> <td>U-48</td> <td>"</td> <td>"</td> <td>V-675</td> <td>122</td> <td>1/2</td> <td>2900</td> <td>1\"/&gt;  <tr> <td>U-49</td> <td>"</td> <td>"</td> <td>V-675</td> <td>122</td> <td>1/2</td> <td>2900</td> <td>1\"/&gt;  <tr> <td>U-50</td> <td>"</td> <td>"</td> <td>V-675</td> <td>122</td> <td>1/2</td> <td>2900</td> <td>1\"/&gt;  </td></tr></td></tr></td></tr></td></tr>   | U-47 | " | " | V-675 | 122 | 1/2 | 2900 | 1\"/> <tr> <td>U-48</td> <td>"</td> <td>"</td> <td>V-675</td> <td>122</td> <td>1/2</td> <td>2900</td> <td>1\"/&gt;  <tr> <td>U-49</td> <td>"</td> <td>"</td> <td>V-675</td> <td>122</td> <td>1/2</td> <td>2900</td> <td>1\"/&gt;  <tr> <td>U-50</td> <td>"</td> <td>"</td> <td>V-675</td> <td>122</td> <td>1/2</td> <td>2900</td> <td>1\"/&gt;  </td></tr></td></tr></td></tr>  
  | U-48 | " | " | V-675 | 122 | 1/2 | 2900 | 1\"/> <tr> <td>U-49</td> <td>"</td> <td>"</td> <td>V-675</td> <td>122</td> <td>1/2</td> <td>2900</td> <td>1\"/&gt;  <tr> <td>U-50</td> <td>"</td> <td>"</td> <td>V-675</td> <td>122</td> <td>1/2</td> <td>2900</td> <td>1\"/&gt;  </td></tr></td></tr>   | U-49 | " | " | V-675 | 122 | 1/2 | 2900 | 1\"/> <tr> <td>U-50</td> <td>"</td> <td>"</td> <td>V-675</td> <td>122</td> <td>1/2</td> <td>2900</td> <td>1\"/&gt;  </td></tr>   | U-50 | " | " | V-675 | 122 | 1/2 | 2900 | 1\"/>  
   |      |   |   |       |     |     |      |  |      |   |   |       |     |     |      | | | | | | | | | | | | | | | | | | | | | | | | | | | | | | | | | | | | | | | | | | | | | | | | | |
   |      |   |   |       |     |     |      |  |      |   |   |       |     |     |      |  |      |   |   |       |     |     |      |   
  |      |   |   |       |     |     |      |  |      |   |   |       |     |     |      |  |      |   |   |       |     |     |      |  |      |   |   |       |     |     |      |   
  |      |   |   |       |     |     |      |  |      |   |   |       |     |     |      |  |      |   |   |       |     |     |      |  
   |      |   |   |       |     |     |      |  |      |   |   |       |     |     |      |  |      |   |   |       |     |     |      |  |      |   |   |       |     |     |      |  |      |   |   |       |     |     |      |   
  |      |   |   |       |     |     |      |  |      |   |   |       |     |     |      |  |      |   |   |       |     |     |      |  |      |   |   |       |     |     |      |  |      |   |   |       |     |     |      |  |      |   |   |       |     |     |      |  |      |   |   |       |     |     |      |  
   |      |   |   |       |     |     |      |  |      |   |   |       |     |     |      |  |      |   |   |       |     |     |      |  |      |   |   |       |     |     |      |  |      |   |   |       |     |     |      |  |      |   |   |       |     |     |      |  |      |   |   |       |     |     |      |  |      |   |   |       |     |     |      |       |
| U-28 | "             | "                       | V-675    | 122  | 1/2           | 2900    | 1\"/> <tr> <td>U-29</td> <td>"</td> <td>"</td> <td>V-675</td> <td>122</td> <td>1/2</td> <td>2900</td> <td>1\"/&gt;  <tr> <td>U-30</td> <td>"</td> <td>"</td> <td>V-675</td> <td>122</td> <td>1/2</td> <td>2900</td> <td>1\"/&gt;  <tr> <td>U-31</td> <td>"</td> <td>"</td> <td>V-675</td> <td>122</td> <td>1/2</td> <td>2900</td> <td>1\"/&gt;  <tr> <td>U-32</td> <td>"</td> <td>"</td> <td>V-675</td> <td>122</td> <td>1/2</td> <td>2900</td> <td>1\"/&gt;  <tr> <td>U-33</td> <td>"</td> <td>"</td> <td>V-675</td> <td>122</td> <td>1/2</td> <td>2900</td> <td>1\"/&gt;  <tr> <td>U-34</td> <td>"</td> <td>"</td> <td>V-675</td> <td>122</td> <td>1/2</td> <td>2900</td> <td>1\"/&gt;  <tr> <td>U-35</td> <td>"</td> <td>"</td> <td>V-675</td> <td>122</td> <td>1/2</td> <td>2900</td> <td>1\"/&gt;  <tr> <td>U-36</td> <td>"</td> <td>"</td> <td>V-675</td> <td>122</td> <td>1/2</td> <td>2900</td> <td>1\"/&gt;  <tr> <td>U-37</td> <td>"</td> <td>"</td> <td>V-675</td> <td>122</td> <td>1/2</td> <td>2900</td> <td>1\"/&gt;  <tr> <td>U-38</td> <td>"</td> <td>"</td> <td>V-675</td> <td>122</td> <td>1/2</td> <td>2900</td> <td>1\"/&gt;  <tr> <td>U-39</td> <td>"</td> <td>"</td> <td>V-675</td> <td>122</td> <td>1/2</td> <td>2900</td> <td>1\"/&gt;  <tr> <td>U-40</td> <td>"</td> <td>"</td> <td>V-675</td> <td>122</td> <td>1/2</td> <td>2900</td> <td>1\"/&gt;  <tr> <td>U-41</td> <td>"</td> <td>"</td> <td>V-675</td> <td>122</td> <td>1/2</td> <td>2900</td> <td>1\"/&gt;  <tr> <td>U-42</td> <td>"</td> <td>"</td> <td>V-675</td> <td>122</td> <td>1/2</td> <td>2900</td> <td>1\"/&gt;  <tr> <td>U-43</td> <td>"</td> <td>"</td> <td>V-675</td> <td>122</td> <td>1/2</td> <td>2900</td> <td>1\"/&gt;  <tr> <td>U-44</td> <td>"</td> <td>"</td> <td>V-675</td> <td>122</td> <td>1/2</td> <td>2900</td> <td>1\"/&gt;  <tr> <td>U-45</td> <td>"</td> <td>"</td> <td>V-675</td> <td>122</td> <td>1/2</td> <td>2900</td> <td>1\"/&gt;  <tr> <td>U-46</td> <td>"</td> <td>"</td> <td>V-675</td> <td>122</td> <td>1/2</td> <td>2900</td> <td>1\"/&gt;  <tr> <td>U-47</td> <td>"</td> <td>"</td> <td>V-675</td> <td>122</td> <td>1/2</td> <td>2900</td> <td>1\"/&gt;  <tr> <td>U-48</td> <td>"</td> <td>"</td> <td>V-675</td> <td>122</td> <td>1/2</td> <td>2900</td> <td>1\"/&gt;  <tr> <td>U-49</td> <td>"</td> <td>"</td> <td>V-675</td> <td>122</td> <td>1/2</td> <td>2900</td> <td>1\"/&gt;  <tr> <td>U-50</td> <td>"</td> <td>"</td> <td>V-675</td> <td>122</td> <td>1/2</td> <td>2900</td> <td>1\"/&gt;  </td></tr></td></tr></td></tr></td></tr></td></tr></td></tr></td></tr></td></tr></td></tr></td></tr></td></tr></td></tr></td></tr></td></tr></td></tr></td></tr></td></tr></td></tr></td></tr></td></tr></td></tr></td></tr>  | U-29 | " | " | V-675  | 122  | 1/2 | 2900   | 1\"/> <tr> <td>U-30</td> <td>"</td> <td>"</td> <td>V-675</td> <td>122</td> <td>1/2</td> <td>2900</td> <td>1\"/&gt;  <tr> <td>U-31</td> <td>"</td> <td>"</td> <td>V-675</td> <td>122</td> <td>1/2</td> <td>2900</td> <td>1\"/&gt;  <tr> <td>U-32</td> <td>"</td> <td>"</td> <td>V-675</td> <td>122</td> <td>1/2</td> <td>2900</td> <td>1\"/&gt;  <tr> <td>U-33</td> <td>"</td> <td>"</td> <td>V-675</td> <td>122</td> <td>1/2</td> <td>2900</td> <td>1\"/&gt;  <tr> <td>U-34</td> <td>"</td> <td>"</td> <td>V-675</td> <td>122</td> <td>1/2</td> <td>2900</td> <td>1\"/&gt;  <tr> <td>U-35</td> <td>"</td> <td>"</td> <td>V-675</td> <td>122</td> <td>1/2</td> <td>2900</td> <td>1\"/&gt;  <tr> <td>U-36</td> <td>"</td> <td>"</td> <td>V-675</td> <td>122</td> <td>1/2</td> <td>2900</td> <td>1\"/&gt;  <tr> <td>U-37</td> <td>"</td> <td>"</td> <td>V-675</td> <td>122</td> <td>1/2</td> <td>2900</td> <td>1\"/&gt;  <tr> <td>U-38</td> <td>"</td> <td>"</td> <td>V-675</td> <td>122</td> <td>1/2</td> <td>2900</td> <td>1\"/&gt;  <tr> <td>U-39</td> <td>"</td> <td>"</td> <td>V-675</td> <td>122</td> <td>1/2</td> <td>2900</td> <td>1\"/&gt;  <tr> <td>U-40</td> <td>"</td> <td>"</td> <td>V-675</td> <td>122</td> <td>1/2</td> <td>2900</td> <td>1\"/&gt;  <tr> <td>U-41</td> <td>"</td> <td>"</td> <td>V-675</td> <td>122</td> <td>1/2</td> <td>2900</td> <td>1\"/&gt;  <tr> <td>U-42</td> <td>"</td> <td>"</td> <td>V-675</td> <td>122</td> <td>1/2</td> <td>2900</td> <td>1\"/&gt;  <tr> <td>U-43</td> <td>"</td> <td>"</td> <td>V-675</td> <td>122</td> <td>1/2</td> <td>2900</td> <td>1\"/&gt;  <tr> <td>U-44</td> <td>"</td> <td>"</td> <td>V-675</td> <td>122</td> <td>1/2</td> <td>2900</td> <td>1\"/&gt;  <tr> <td>U-45</td> <td>"</td> <td>"</td> <td>V-675</td> <td>122</td> <td>1/2</td> <td>2900</td> <td>1\"/&gt;  <tr> <td>U-46</td> <td>"</td> <td>"</td> <td>V-675</td> <td>122</td> <td>1/2</td> <td>2900</td> <td>1\"/&gt;  <tr> <td>U-47</td> <td>"</td> <td>"</td> <td>V-675</td> <td>122</td> <td>1/2</td> <td>2900</td> <td>1\"/&gt;  <tr> <td>U-48</td> <td>"</td> <td>"</td> <td>V-675</td> <td>122</td> <td>1/2</td> <td>2900</td> <td>1\"/&gt;  <tr> <td>U-49</td> <td>"</td> <td>"</td> <td>V-675</td> <td>122</td> <td>1/2</td> <td>2900</td> <td>1\"/&gt;  <tr> <td>U-50</td> <td>"</td> <td>"</td> <td>V-675</td> <td>122</td> <td>1/2</td> <td>2900</td> <td>1\"/&gt;  </td></tr></td></tr></td></tr></td></tr></td></tr></td></tr></td></tr></td></tr></td></tr></td></tr></td></tr></td></tr></td></tr></td></tr></td></tr></td></tr></td></tr></td></tr></td></tr></td></tr></td></tr>  
  | U-30 | " | " | V-675  | 122 | 1/2 | 2900   | 1\"/> <tr> <td>U-31</td> <td>"</td> <td>"</td> <td>V-675</td> <td>122</td> <td>1/2</td> <td>2900</td> <td>1\"/&gt;  <tr> <td>U-32</td> <td>"</td> <td>"</td> <td>V-675</td> <td>122</td> <td>1/2</td> <td>2900</td> <td>1\"/&gt;  <tr> <td>U-33</td> <td>"</td> <td>"</td> <td>V-675</td> <td>122</td> <td>1/2</td> <td>2900</td> <td>1\"/&gt;  <tr> <td>U-34</td> <td>"</td> <td>"</td> <td>V-675</td> <td>122</td> <td>1/2</td> <td>2900</td> <td>1\"/&gt;  <tr> <td>U-35</td> <td>"</td> <td>"</td> <td>V-675</td> <td>122</td> <td>1/2</td> <td>2900</td> <td>1\"/&gt;  <tr> <td>U-36</td> <td>"</td> <td>"</td> <td>V-675</td> <td>122</td> <td>1/2</td> <td>2900</td> <td>1\"/&gt;  <tr> <td>U-37</td> <td>"</td> <td>"</td> <td>V-675</td> <td>122</td> <td>1/2</td> <td>2900</td> <td>1\"/&gt;  <tr> <td>U-38</td> <td>"</td> <td>"</td> <td>V-675</td> <td>122</td> <td>1/2</td> <td>2900</td> <td>1\"/&gt;  <tr> <td>U-39</td> <td>"</td> <td>"</td> <td>V-675</td> <td>122</td> <td>1/2</td> <td>2900</td> <td>1\"/&gt;  <tr> <td>U-40</td> <td>"</td> <td>"</td> <td>V-675</td> <td>122</td> <td>1/2</td> <td>2900</td> <td>1\"/&gt;  <tr> <td>U-41</td> <td>"</td> <td>"</td> <td>V-675</td> <td>122</td> <td>1/2</td> <td>2900</td> <td>1\"/&gt;  <tr> <td>U-42</td> <td>"</td> <td>"</td> <td>V-675</td> <td>122</td> <td>1/2</td> <td>2900</td> <td>1\"/&gt;  <tr> <td>U-43</td> <td>"</td> <td>"</td> <td>V-675</td> <td>122</td> <td>1/2</td> <td>2900</td> <td>1\"/&gt;  <tr> <td>U-44</td> <td>"</td> <td>"</td> <td>V-675</td> <td>122</td> <td>1/2</td> <td>2900</td> <td>1\"/&gt;  <tr> <td>U-45</td> <td>"</td> <td>"</td> <td>V-675</td> <td>122</td> <td>1/2</td> <td>2900</td> <td>1\"/&gt;  <tr> <td>U-46</td> <td>"</td> <td>"</td> <td>V-675</td> <td>122</td> <td>1/2</td> <td>2900</td> <td>1\"/&gt;  <tr> <td>U-47</td> <td>"</td> <td>"</td> <td>V-675</td> <td>122</td> <td>1/2</td> <td>2900</td> <td>1\"/&gt;  <tr> <td>U-48</td> <td>"</td> <td>"</td> <td>V-675</td> <td>122</td> <td>1/2</td> <td>2900</td> <td>1\"/&gt;  <tr> <td>U-49</td> <td>"</td> <td>"</td> <td>V-675</td> <td>122</td> <td>1/2</td> <td>2900</td> <td>1\"/&gt;  <tr> <td>U-50</td> <td>"</td> <td>"</td> <td>V-675</td> <td>122</td> <td>1/2</td> <td>2900</td> <td>1\"/&gt;  </td></tr></td></tr></td></tr></td></tr></td></tr></td></tr></td></tr></td></tr></td></tr></td></tr></td></tr></td></tr></td></tr></td></tr></td></tr></td></tr></td></tr></td></tr></td></tr></td></tr>   | U-31 | " | " | V-675 | 122 | 1/2 | 2900    | 1\"/> <tr> <td>U-32</td> <td>"</td> <td>"</td> <td>V-675</td> <td>122</td> <td>1/2</td> <td>2900</td> <td>1\"/&gt;  <tr> <td>U-33</td> <td>"</td> <td>"</td> <td>V-675</td> <td>122</td> <td>1/2</td> <td>2900</td> <td>1\"/&gt;  <tr> <td>U-34</td> <td>"</td> <td>"</td> <td>V-675</td> <td>122</td> <td>1/2</td> <td>2900</td> <td>1\"/&gt;  <tr> <td>U-35</td> <td>"</td> <td>"</td> <td>V-675</td> <td>122</td> <td>1/2</td> <td>2900</td> <td>1\"/&gt;  <tr> <td>U-36</td> <td>"</td> <td>"</td> <td>V-675</td> <td>122</td> <td>1/2</td> <td>2900</td> <td>1\"/&gt;  <tr> <td>U-37</td> <td>"</td> <td>"</td> <td>V-675</td> <td>122</td> <td>1/2</td> <td>2900</td> <td>1\"/&gt;  <tr> <td>U-38</td> <td>"</td> <td>"</td> <td>V-675</td> <td>122</td> <td>1/2</td> <td>2900</td> <td>1\"/&gt;  <tr> <td>U-39</td> <td>"</td> <td>"</td> <td>V-675</td> <td>122</td> <td>1/2</td> <td>2900</td> <td>1\"/&gt;  <tr> <td>U-40</td> <td>"</td> <td>"</td> <td>V-675</td> <td>122</td> <td>1/2</td> <td>2900</td> <td>1\"/&gt;  <tr> <td>U-41</td> <td>"</td> <td>"</td> <td>V-675</td> <td>122</td> <td>1/2</td> <td>2900</td> <td>1\"/&gt;  <tr> <td>U-42</td> <td>"</td> <td>"</td> <td>V-675</td> <td>122</td> <td>1/2</td> <td>2900</td> <td>1\"/&gt;  <tr> <td>U-43</td> <td>"</td> <td>"</td> <td>V-675</td> <td>122</td> <td>1/2</td> <td>2900</td> <td>1\"/&gt;  <tr> <td>U-44</td> <td>"</td> <td>"</td> <td>V-675</td> <td>122</td> <td>1/2</td> <td>2900</td> <td>1\"/&gt;  <tr> <td>U-45</td> <td>"</td> <td>"</td> <td>V-675</td> <td>122</td> <td>1/2</td> <td>2900</td> <td>1\"/&gt;  <tr> <td>U-46</td> <td>"</td> <td>"</td> <td>V-675</td> <td>122</td> <td>1/2</td> <td>2900</td> <td>1\"/&gt;  <tr> <td>U-47</td> <td>"</td> <td>"</td> <td>V-675</td> <td>122</td> <td>1/2</td> <td>2900</td> <td>1\"/&gt;  <tr> <td>U-48</td> <td>"</td> <td>"</td>
<td>V-675</td> <td>122</td> <td>1/2</td> <td>2900</td> <td>1\"/&gt;  <tr> <td>U-49</td> <td>"</td> <td>"</td> <td>V-675</td> <td>122</td> <td>1/2</td> <td>2900</td> <td>1\"/&gt;  <tr> <td>U-50</td> <td>"</td> <td>"</td> <td>V-675</td> <td>122</td> <td>1/2</td> <td>2900</td> <td>1\"/&gt;  </td></tr></td></tr></td></tr></td></tr></td></tr></td></tr></td></tr></td></tr></td></tr></td></tr></td></tr></td></tr></td></tr></td></tr></td></tr></td></tr></td></tr></td></tr></td></tr>  | U-32 | " | " | V-675 | 122 | 1/2 | 2900   | 1\"/> <tr> <td>U-33</td> <td>"</td> <td>"</td> <td>V-675</td> <td>122</td> <td>1/2</td> <td>2900</td> <td>1\"/&gt;  <tr> <td>U-34</td> <td>"</td> <td>"</td> <td>V-675</td> <td>122</td> <td>1/2</td> <td>2900</td> <td>1\"/&gt;  <tr> <td>U-35</td> <td>"</td> <td>"</td> <td>V-675</td> <td>122</td> <td>1/2</td> <td>2900</td> <td>1\"/&gt;  <tr> <td>U-36</td> <td>"</td> <td>"</td> <td>V-675</td> <td>122</td> <td>1/2</td> <td>2900</td> <td>1\"/&gt;  <tr> <td>U-37</td> <td>"</td> <td>"</td> <td>V-675</td> <td>122</td> <td>1/2</td> <td>2900</td> <td>1\"/&gt;  <tr> <td>U-38</td> <td>"</td> <td>"</td> <td>V-675</td> <td>122</td> <td>1/2</td> <td>2900</td> <td>1\"/&gt;  <tr> <td>U-39</td> <td>"</td> <td>"</td> <td>V-675</td> <td>122</td> <td>1/2</td> <td>2900</td> <td>1\"/&gt;  <tr> <td>U-40</td> <td>"</td> <td>"</td> <td>V-675</td> <td>122</td> <td>1/2</td> <td>2900</td> <td>1\"/&gt;  <tr> <td>U-41</td> <td>"</td> <td>"</td> <td>V-675</td> <td>122</td> <td>1/2</td> <td>2900</td> <td>1\"/&gt;  <tr> <td>U-42</td> <td>"</td> <td>"</td> <td>V-675</td> <td>122</td> <td>1/2</td> <td>2900</td> <td>1\"/&gt;  <tr> <td>U-43</td> <td>"</td> <td>"</td> <td>V-675</td> <td>122</td> <td>1/2</td> <td>2900</td> <td>1\"/&gt;  <tr> <td>U-44</td> <td>"</td> <td>"</td> <td>V-675</td> <td>122</td> <td>1/2</td> <td>2900</td> <td>1\"/&gt;  <tr> <td>U-45</td> <td>"</td> <td>"</td> <td>V-675</td> <td>122</td> <td>1/2</td> <td>2900</td> <td>1\"/&gt;  <tr> <td>U-46</td> <td>"</td> <td>"</td> <td>V-675</td> <td>122</td> <td>1/2</td> <td>2900</td> <td>1\"/&gt;  <tr> <td>U-47</td> <td>"</td> <td>"</td> <td>V-675</td> <td>122</td> <td>1/2</td> <td>2900</td> <td>1\"/&gt;  <tr> <td>U-48</td> <td>"</td> <td>"</td> <td>V-675</td> <td>122</td> <td>1/2</td> <td>2900</td> <td>1\"/&gt;  <tr> <td>U-49</td> <td>"</td> <td>"</td> <td>V-675</td> <td>122</td> <td>1/2</td> <td>2900</td> <td>1\"/&gt;  <tr> <td>U-50</td> <td>"</td> <td>"</td> <td>V-675</td> <td>122</td> <td>1/2</td> <td>2900</td> <td>1\"/&gt;  </td></tr></td></tr></td></tr></td></tr></td></tr></td></tr></td></tr></td></tr></td></tr></td></tr></td></tr></td></tr></td></tr></td></tr></td></tr></td></tr></td></tr></td></tr>   | U-33 | " | " | V-675 | 122 | 1/2 | 2900    | 1\"/> <tr> <td>U-34</td> <td>"</td> <td>"</td> <td>V-675</td> <td>122</td> <td>1/2</td> <td>2900</td> <td>1\"/&gt;  <tr> <td>U-35</td> <td>"</td> <td>"</td> <td>V-675</td> <td>122</td> <td>1/2</td> <td>2900</td> <td>1\"/&gt;  <tr> <td>U-36</td> <td>"</td> <td>"</td> <td>V-675</td> <td>122</td> <td>1/2</td> <td>2900</td> <td>1\"/&gt;  <tr> <td>U-37</td> <td>"</td> <td>"</td> <td>V-675</td> <td>122</td> <td>1/2</td> <td>2900</td> <td>1\"/&gt;  <tr> <td>U-38</td> <td>"</td> <td>"</td> <td>V-675</td> <td>122</td> <td>1/2</td> <td>2900</td> <td>1\"/&gt;  <tr> <td>U-39</td> <td>"</td> <td>"</td> <td>V-675</td> <td>122</td> <td>1/2</td> <td>2900</td> <td>1\"/&gt;  <tr> <td>U-40</td> <td>"</td> <td>"</td> <td>V-675</td> <td>122</td> <td>1/2</td> <td>2900</td> <td>1\"/&gt;  <tr>
<td>U-41</td> <td>"</td> <td>"</td> <td>V-675</td> <td>122</td> <td>1/2</td> <td>2900</td> <td>1\"/&gt;  <tr> <td>U-42</td> <td>"</td> <td>"</td> <td>V-675</td> <td>122</td> <td>1/2</td> <td>2900</td> <td>1\"/&gt;  <tr> <td>U-43</td> <td>"</td> <td>"</td> <td>V-675</td> <td>122</td> <td>1/2</td> <td>2900</td> <td>1\"/&gt;  <tr> <td>U-44</td> <td>"</td> <td>"</td> <td>V-675</td> <td>122</td> <td>1/2</td> <td>2900</td> <td>1\"/&gt;  <tr> <td>U-45</td> <td>"</td> <td>"</td> <td>V-675</td> <td>122</td> <td>1/2</td> <td>2900</td> <td>1\"/&gt;  <tr> <td>U-46</td> <td>"</td> <td>"</td> <td>V-675</td> <td>122</td> <td>1/2</td> <td>2900</td> <td>1\"/&gt;  <tr> <td>U-47</td> <td>"</td> <td>"</td> <td>V-675</td> <td>122</td> <td>1/2</td> <td>2900</td> <td>1\"/&gt;  <tr> <td>U-48</td> <td>"</td> <td>"</td> <td>V-675</td> <td>122</td> <td>1/2</td> <td>2900</td> <td>1\"/&gt;  <tr> <td>U-49</td> <td>"</td> <td>"</td> <td>V-675</td> <td>122</td> <td>1/2</td> <td>2900</td> <td>1\"/&gt;  <tr> <td>U-50</td> <td>"</td> <td>"</td> <td>V-675</td> <td>122</td> <td>1/2</td> <td>2900</td> <td>1\"/&gt;  </td></tr></td></tr></td></tr></td></tr></td></tr></td></tr></td></tr></td></tr></td></tr></td></tr></td></tr></td></tr></td></tr></td></tr></td></tr></td></tr></td></tr>  | U-34 | "           | "      | V-675  | 122  | 1/2 | 2900 | 1\"/> <tr> <td>U-35</td> <td>"</td> <td>"</td> <td>V-675</td> <td>122</td> <td>1/2</td> <td>2900</td> <td>1\"/&gt;  <tr> <td>U-36</td> <td>"</td> <td>"</td> <td>V-675</td> <td>122</td> <td>1/2</td> <td>2900</td> <td>1\"/&gt;  <tr> <td>U-37</td> <td>"</td> <td>"</td> <td>V-675</td> <td>122</td> <td>1/2</td> <td>2900</td> <td>1\"/&gt;  <tr> <td>U-38</td> <td>"</td> <td>"</td> <td>V-675</td> <td>122</td> <td>1/2</td> <td>2900</td> <td>1\"/&gt;  <tr> <td>U-39</td> <td>"</td> <td>"</td> <td>V-675</td> <td>122</td> <td>1/2</td> <td>2900</td> <td>1\"/&gt;  <tr> <td>U-40</td> <td>"</td> <td>"</td> <td>V-675</td> <td>122</td> <td>1/2</td> <td>2900</td> <td>1\"/&gt;  <tr> <td>U-41</td> <td>"</td> <td>"</td> <td>V-675</td> <td>122</td> <td>1/2</td> <td>2900</td> <td>1\"/&gt;  <tr> <td>U-42</td> <td>"</td> <td>"</td> <td>V-675</td> <td>122</td> <td>1/2</td> <td>2900</td> <td>1\"/&gt;  <tr> <td>U-43</td> <td>"</td> <td>"</td> <td>V-675</td> <td>122</td> <td>1/2</td> <td>2900</td> <td>1\"/&gt;  <tr> <td>U-44</td> <td>"</td> <td>"</td> <td>V-675</td> <td>122</td> <td>1/2</td> <td>2900</td> <td>1\"/&gt;  <tr> <td>U-45</td> <td>"</td> <td>"</td> <td>V-675</td> <td>122</td> <td>1/2</td> <td>2900</td> <td>1\"/&gt;  <tr> <td>U-46</td> <td>"</td> <td>"</td> <td>V-675</td> <td>122</td> <td>1/2</td> <td>2900</td> <td>1\"/&gt;  <tr> <td>U-47</td> <td>"</td> <td>"</td> <td>V-675</td> <td>122</td> <td>1/2</td> <td>2900</td> <td>1\"/&gt;  <tr> <td>U-48</td> <td>"</td> <td>"</td> <td>V-675</td> <td>122</td> <td>1/2</td> <td>2900</td> <td>1\"/&gt;  <tr> <td>U-49</td> <td>"</td> <td>"</td> <td>V-675</td> <td>122</td> <td>1/2</td> <td>2900</td> <td>1\"/&gt;  <tr> <td>U-50</td> <td>"</td> <td>"</td> <td>V-675</td> <td>122</td> <td>1/2</td> <td>2900</td> <td>1\"/&gt;  </td></tr></td></tr></td></tr></td></tr></td></tr></td></tr></td></tr></td></tr></td></tr></td></tr></td></tr></td></tr></td></tr></td></tr></td></tr></td></tr>   
  | U-35 | " | " | V-675  | 122  | 1/2 | 2900 | 1\"/> <tr> <td>U-36</td> <td>"</td> <td>"</td> <td>V-675</td> <td>122</td> <td>1/2</td> <td>2900</td> <td>1\"/&gt;  <tr> <td>U-37</td> <td>"</td> <td>"</td> <td>V-675</td> <td>122</td> <td>1/2</td> <td>2900</td> <td>1\"/&gt;  <tr> <td>U-38</td> <td>"</td> <td>"</td> <td>V-675</td> <td>122</td> <td>1/2</td> <td>2900</td> <td>1\"/&gt;  <tr> <td>U-39</td> <td>"</td> <td>"</td> <td>V-675</td> <td>122</td> <td>1/2</td> <td>2900</td> <td>1\"/&gt;  <tr> <td>U-40</td> <td>"</td> <td>"</td> <td>V-675</td> <td>122</td> <td>1/2</td> <td>2900</td> <td>1\"/&gt;  <tr> <td>U-41</td> <td>"</td> <td>"</td> <td>V-675</td> <td>122</td> <td>1/2</td> <td>2900</td> <td>1\"/&gt;  <tr> <td>U-42</td> <td>"</td> <td>"</td> <td>V-675</td> <td>122</td> <td>1/2</td> <td>2900</td> <td>1\"/&gt;  <tr> <td>U-43</td> <td>"</td> <td>"</td> <td>V-675</td> <td>122</td> <td>1/2</td> <td>2900</td> <td>1\"/&gt;  <tr> <td>U-44</td> <td>"</td> <td>"</td> <td>V-675</td> <td>122</td> <td>1/2</td> <td>2900</td> <td>1\"/&gt;  <tr> <td>U-45</td> <td>"</td> <td>"</td> <td>V-675</td> <td>122</td> <td>1/2</td> <td>2900</td> <td>1\"/&gt;  <tr> <td>U-46</td> <td>"</td> <td>"</td> <td>V-675</td> <td>122</td> <td>1/2</td> <td>2900</td> <td>1\"/&gt;  <tr> <td>U-47</td> <td>"</td> <td>"</td> <td>V-675</td> <td>122</td> <td>1/2</td> <td>2900</td> <td>1\"/&gt;  <tr> <td>U-48</td> <td>"</td> <td>"</td> <td>V-675</td> <td>122</td> <td>1/2</td> <td>2900</td> <td>1\"/&gt;  <tr> <td>U-49</td> <td>"</td> <td>"</td> <td>V-675</td> <td>122</td> <td>1/2</td> <td>2900</td> <td>1\"/&gt;  <tr> <td>U-50</td> <td>"</td> <td>"</td> <td>V-675</td> <td>122</td> <td>1/2</td> <td>2900</td> <td>1\"/&gt;  </td></tr></td></tr></td></tr></td></tr></td></tr></td></tr></td></tr></td></tr></td></tr></td></tr></td></tr></td></tr></td></tr></td></tr></td></tr>   | U-36 | " | " | V-675  | 122 | 1/2 | 2900 | 1\"/> <tr> <td>U-37</td> <td>"</td> <td>"</td> <td>V-675</td> <td>122</td> <td>1/2</td> <td>2900</td> <td>1\"/&gt;  <tr> <td>U-38</td> <td>"</td> <td>"</td> <td>V-675</td> <td>122</td> <td>1/2</td> <td>2900</td> <td>1\"/&gt;  <tr> <td>U-39</td> <td>"</td> <td>"</td> <td>V-675</td> <td>122</td> <td>1/2</td> <td>2900</td> <td>1\"/&gt;  <tr> <td>U-40</td> <td>"</td> <td>"</td> <td>V-675</td> <td>122</td> <td>1/2</td> <td>2900</td> <td>1\"/&gt;  <tr> <td>U-41</td> <td>"</td> <td>"</td> <td>V-675</td> <td>122</td> <td>1/2</td> <td>2900</td> <td>1\"/&gt;  <tr> <td>U-42</td> <td>"</td> <td>"</td> <td>V-675</td> <td>122</td> <td>1/2</td> <td>2900</td> <td>1\"/&gt;  <tr> <td>U-43</td> <td>"</td> <td>"</td> <td>V-675</td> <td>122</td> <td>1/2</td> <td>2900</td> <td>1\"/&gt;  <tr> <td>U-44</td> <td>"</td> <td>"</td> <td>V-675</td> <td>122</td> <td>1/2</td> <td>2900</td> <td>1\"/&gt;  <tr> <td>U-45</td> <td>"</td> <td>"</td> <td>V-675</td> <td>122</td> <td>1/2</td> <td>2900</td> <td>1\"/&gt;  <tr> <td>U-46</td> <td>"</td> <td>"</td> <td>V-675</td> <td>122</td> <td>1/2</td> <td>2900</td> <td>1\"/&gt;  <tr> <td>U-47</td> <td>"</td> <td>"</td> <td>V-675</td> <td>122</td> <td>1/2</td> <td>2900</td> <td>1\"/&gt;  <tr> <td>U-48</td> <td>"</td> <td>"</td> <td>V-675</td> <td>122</td> <td>1/2</td> <td>2900</td> <td>1\"/&gt;  <tr> <td>U-49</td> <td>"</td> <td>"</td> <td>V-675</td> <td>122</td> <td>1/2</td> <td>2900</td> <td>1\"/&gt;  <tr> <td>U-50</td> <td>"</td> <td>"</td> <td>V-675</td> <td>122</td> <td>1/2</td> <td>2900</td> <td>1\"/&gt;  </td></tr></td></tr></td></tr></td></tr></td></tr></td></tr></td></tr></td></tr></td></tr></td></tr></td></tr></td></tr></td></tr></td></tr>   
   | U-37 | " | " | V-675 | 122 | 1/2 | 2900 | 1\"/> <tr> <td>U-38</td> <td>"</td> <td>"</td> <td>V-675</td> <td>122</td> <td>1/2</td> <td>2900</td> <td>1\"/&gt;  <tr> <td>U-39</td> <td>"</td> <td>"</td> <td>V-675</td> <td>122</td> <td>1/2</td> <td>2900</td> <td>1\"/&gt;  <tr> <td>U-40</td> <td>"</td> <td>"</td> <td>V-675</td> <td>122</td> <td>1/2</td> <td>2900</td> <td>1\"/&gt;  <tr> <td>U-41</td> <td>"</td> <td>"</td> <td>V-675</td> <td>122</td> <td>1/2</td> <td>2900</td> <td>1\"/&gt;  <tr> <td>U-42</td> <td>"</td> <td>"</td> <td>V-675</td> <td>122</td> <td>1/2</td> <td>2900</td> <td>1\"/&gt;  <tr> <td>U-43</td> <td>"</td> <td>"</td> <td>V-675</td> <td>122</td> <td>1/2</td> <td>2900</td> <td>1\"/&gt;  <tr> <td>U-44</td> <td>"</td> <td>"</td> <td>V-675</td> <td>122</td> <td>1/2</td> <td>2900</td> <td>1\"/&gt;  <tr> <td>U-45</td> <td>"</td> <td>"</td> <td>V-675</td> <td>122</td> <td>1/2</td> <td>2900</td> <td>1\"/&gt;  <tr> <td>U-46</td> <td>"</td> <td>"</td> <td>V-675</td> <td>122</td> <td>1/2</td> <td>2900</td> <td>1\"/&gt;  <tr> <td>U-47</td> <td>"</td> <td>"</td> <td>V-675</td> <td>122</td> <td>1/2</td> <td>2900</td> <td>1\"/&gt;  <tr> <td>U-48</td> <td>"</td> <td>"</td> <td>V-675</td> <td>122</td> <td>1/2</td> <td>2900</td> <td>1\"/&gt;  <tr> <td>U-49</td> <td>"</td> <td>"</td> <td>V-675</td> <td>122</td> <td>1/2</td> <td>2900</td> <td>1\"/&gt;  <tr> <td>U-50</td> <td>"</td> <td>"</td> <td>V-675</td> <td>122</td> <td>1/2</td> <td>2900</td> <td>1\"/&gt;  </td></tr></td></tr></td></tr></td></tr></td></tr></td></tr></td></tr></td></tr></td></tr></td></tr></td></tr></td></tr></td></tr>  | U-38 | " | " | V-675 | 122 | 1/2 | 2900 | 1\"/> <tr> <td>U-39</td> <td>"</td> <td>"</td> <td>V-675</td> <td>122</td> <td>1/2</td> <td>2900</td> <td>1\"/&gt;  <tr> <td>U-40</td> <td>"</td> <td>"</td> <td>V-675</td> <td>122</td> <td>1/2</td> <td>2900</td> <td>1\"/&gt;  <tr> <td>U-41</td> <td>"</td> <td>"</td> <td>V-675</td> <td>122</td> <td>1/2</td> <td>2900</td> <td>1\"/&gt;  <tr> <td>U-42</td> <td>"</td> <td>"</td> <td>V-675</td> <td>122</td> <td>1/2</td> <td>2900</td> <td>1\"/&gt;  <tr> <td>U-43</td> <td>"</td> <td>"</td> <td>V-675</td> <td>122</td> <td>1/2</td> <td>2900</td> <td>1\"/&gt;  <tr> <td>U-44</td> <td>"</td> <td>"</td> <td>V-675</td> <td>122</td> <td>1/2</td> <td>2900</td> <td>1\"/&gt;  <tr> <td>U-45</td> <td>"</td> <td>"</td> <td>V-675</td> <td>122</td> <td>1/2</td> <td>2900</td> <td>1\"/&gt;  <tr> <td>U-46</td> <td>"</td> <td>"</td> <td>V-675</td> <td>122</td> <td>1/2</td> <td>2900</td> <td>1\"/&gt;  <tr> <td>U-47</td> <td>"</td> <td>"</td> <td>V-675</td> <td>122</td> <td>1/2</td> <td>2900</td> <td>1\"/&gt;  <tr> <td>U-48</td> <td>"</td> <td>"</td> <td>V-675</td> <td>122</td> <td>1/2</td> <td>2900</td> <td>1\"/&gt;  <tr> <td>U-49</td> <td>"</td> <td>"</td> <td>V-675</td> <td>122</td> <td>1/2</td> <td>2900</td> <td>1\"/&gt;  <tr> <td>U-50</td> <td>"</td> <td>"</td> <td>V-675</td> <td>122</td> <td>1/2</td> <td>2900</td> <td>1\"/&gt;  </td></tr></td></tr></td></tr></td></tr></td></tr></td></tr></td></tr></td></tr></td></tr></td></tr></td></tr></td></tr>  
  | U-39 | " | " | V-675 | 122 | 1/2 | 2900 | 1\"/> <tr> <td>U-40</td> <td>"</td> <td>"</td> <td>V-675</td> <td>122</td> <td>1/2</td> <td>2900</td> <td>1\"/&gt;  <tr> <td>U-41</td> <td>"</td> <td>"</td> <td>V-675</td> <td>122</td> <td>1/2</td> <td>2900</td> <td>1\"/&gt;  <tr> <td>U-42</td> <td>"</td> <td>"</td> <td>V-675</td> <td>122</td> <td>1/2</td> <td>2900</td> <td>1\"/&gt;  <tr> <td>U-43</td> <td>"</td> <td>"</td> <td>V-675</td> <td>122</td> <td>1/2</td> <td>2900</td> <td>1\"/&gt;  <tr> <td>U-44</td> <td>"</td> <td>"</td> <td>V-675</td> <td>122</td> <td>1/2</td> <td>2900</td> <td>1\"/&gt;  <tr> <td>U-45</td> <td>"</td> <td>"</td> <td>V-675</td> <td>122</td> <td>1/2</td> <td>2900</td> <td>1\"/&gt;  <tr> <td>U-46</td> <td>"</td> <td>"</td> <td>V-675</td> <td>122</td> <td>1/2</td> <td>2900</td> <td>1\"/&gt;  <tr> <td>U-47</td> <td>"</td> <td>"</td> <td>V-675</td> <td>122</td> <td>1/2</td> <td>2900</td> <td>1\"/&gt;  <tr> <td>U-48</td> <td>"</td> <td>"</td> <td>V-675</td> <td>122</td> <td>1/2</td> <td>2900</td> <td>1\"/&gt;  <tr> <td>U-49</td> <td>"</td> <td>"</td> <td>V-675</td> <td>122</td> <td>1/2</td> <td>2900</td> <td>1\"/&gt;  <tr> <td>U-50</td> <td>"</td> <td>"</td> <td>V-675</td> <td>122</td> <td>1/2</td> <td>2900</td> <td>1\"/&gt;  </td></tr></td></tr></td></tr></td></tr></td></tr></td></tr></td></tr></td></tr></td></tr></td></tr></td></tr>  | U-40 | " | " | V-675 | 122 | 1/2 | 2900 | 1\"/> <tr> <td>U-41</td> <td>"</td> <td>"</td> <td>V-675</td> <td>122</td> <td>1/2</td> <td>2900</td> <td>1\"/&gt;  <tr> <td>U-42</td> <td>"</td> <td>"</td> <td>V-675</td> <td>122</td> <td>1/2</td> <td>2900</td> <td>1\"/&gt;  <tr> <td>U-43</td> <td>"</td> <td>"</td> <td>V-675</td> <td>122</td> <td>1/2</td> <td>2900</td> <td>1\"/&gt;  <tr> <td>U-44</td> <td>"</td> <td>"</td> <td>V-675</td> <td>122</td> <td>1/2</td> <td>2900</td> <td>1\"/&gt;  <tr> <td>U-45</td> <td>"</td> <td>"</td> <td>V-675</td> <td>122</td> <td>1/2</td> <td>2900</td> <td>1\"/&gt;  <tr> <td>U-46</td> <td>"</td> <td>"</td> <td>V-675</td> <td>122</td> <td>1/2</td> <td>2900</td> <td>1\"/&gt;  <tr> <td>U-47</td> <td>"</td> <td>"</td> <td>V-675</td> <td>122</td> <td>1/2</td> <td>2900</td> <td>1\"/&gt;  <tr> <td>U-48</td> <td>"</td> <td>"</td> <td>V-675</td> <td>122</td> <td>1/2</td> <td>2900</td> <td>1\"/&gt;  <tr> <td>U-49</td> <td>"</td> <td>"</td> <td>V-675</td> <td>122</td> <td>1/2</td> <td>2900</td> <td>1\"/&gt;  <tr> <td>U-50</td> <td>"</td> <td>"</td> <td>V-675</td> <td>122</td> <td>1/2</td> <td>2900</td> <td>1\"/&gt;  </td></tr></td></tr></td></tr></td></tr></td></tr></td></tr></td></tr></td></tr></td></tr></td></tr>   
   | U-41 | " | " | V-675 | 122 | 1/2 | 2900 | 1\"/> <tr> <td>U-42</td> <td>"</td> <td>"</td> <td>V-675</td> <td>122</td> <td>1/2</td> <td>2900</td> <td>1\"/&gt;  <tr> <td>U-43</td> <td>"</td> <td>"</td> <td>V-675</td> <td>122</td> <td>1/2</td> <td>2900</td> <td>1\"/&gt;  <tr> <td>U-44</td> <td>"</td> <td>"</td> <td>V-675</td> <td>122</td> <td>1/2</td> <td>2900</td> <td>1\"/&gt;  <tr> <td>U-45</td> <td>"</td> <td>"</td> <td>V-675</td> <td>122</td> <td>1/2</td> <td>2900</td> <td>1\"/&gt;  <tr> <td>U-46</td> <td>"</td> <td>"</td> <td>V-675</td> <td>122</td> <td>1/2</td> <td>2900</td> <td>1\"/&gt;  <tr> <td>U-47</td> <td>"</td> <td>"</td> <td>V-675</td> <td>122</td> <td>1/2</td> <td>2900</td> <td>1\"/&gt;  <tr> <td>U-48</td> <td>"</td> <td>"</td> <td>V-675</td> <td>122</td> <td>1/2</td> <td>2900</td> <td>1\"/&gt;  <tr> <td>U-49</td> <td>"</td> <td>"</td> <td>V-675</td> <td>122</td> <td>1/2</td> <td>2900</td> <td>1\"/&gt;  <tr> <td>U-50</td> <td>"</td> <td>"</td> <td>V-675</td> <td>122</td> <td>1/2</td> <td>2900</td> <td>1\"/&gt;  </td></tr></td></tr></td></tr></td></tr></td></tr></td></tr></td></tr></td></tr></td></tr>  | U-42 | " | " | V-675 | 122 | 1/2 | 2900 | 1\"/> <tr> <td>U-43</td> <td>"</td> <td>"</td> <td>V-675</td> <td>122</td> <td>1/2</td> <td>2900</td> <td>1\"/&gt;  <tr> <td>U-44</td> <td>"</td> <td>"</td> <td>V-675</td> <td>122</td> <td>1/2</td> <td>2900</td> <td>1\"/&gt;  <tr> <td>U-45</td> <td>"</td> <td>"</td> <td>V-675</td> <td>122</td> <td>1/2</td> <td>2900</td> <td>1\"/&gt;  <tr> <td>U-46</td> <td>"</td> <td>"</td> <td>V-675</td> <td>122</td> <td>1/2</td> <td>2900</td> <td>1\"/&gt;  <tr> <td>U-47</td> <td>"</td> <td>"</td> <td>V-675</td> <td>122</td> <td>1/2</td> <td>2900</td> <td>1\"/&gt;  <tr> <td>U-48</td> <td>"</td> <td>"</td> <td>V-675</td> <td>122</td> <td>1/2</td> <td>2900</td> <td>1\"/&gt;  <tr> <td>U-49</td> <td>"</td> <td>"</td> <td>V-675</td> <td>122</td> <td>1/2</td> <td>2900</td> <td>1\"/&gt;  <tr> <td>U-50</td> <td>"</td> <td>"</td> <td>V-675</td> <td>122</td> <td>1/2</td> <td>2900</td> <td>1\"/&gt;  </td></tr></td></tr></td></tr></td></tr></td></tr></td></tr></td></tr></td></tr>  
  | U-43 | " | " | V-675 | 122 | 1/2 | 2900 | 1\"/> <tr> <td>U-44</td> <td>"</td> <td>"</td> <td>V-675</td> <td>122</td> <td>1/2</td> <td>2900</td> <td>1\"/&gt;  <tr> <td>U-45</td> <td>"</td> <td>"</td> <td>V-675</td> <td>122</td> <td>1/2</td> <td>2900</td> <td>1\"/&gt;  <tr> <td>U-46</td> <td>"</td> <td>"</td> <td>V-675</td> <td>122</td> <td>1/2</td> <td>2900</td> <td>1\"/&gt;  <tr> <td>U-47</td> <td>"</td> <td>"</td> <td>V-675</td> <td>122</td> <td>1/2</td> <td>2900</td> <td>1\"/&gt;  <tr> <td>U-48</td> <td>"</td> <td>"</td> <td>V-675</td> <td>122</td> <td>1/2</td> <td>2900</td> <td>1\"/&gt;  <tr> <td>U-49</td> <td>"</td> <td>"</td> <td>V-675</td> <td>122</td> <td>1/2</td> <td>2900</td> <td>1\"/&gt;  <tr> <td>U-50</td> <td>"</td> <td>"</td> <td>V-675</td> <td>122</td> <td>1/2</td> <td>2900</td> <td>1\"/&gt;  </td></tr></td></tr></td></tr></td></tr></td></tr></td></tr></td></tr>   | U-44 | " | " | V-675 | 122 | 1/2 | 2900 | 1\"/> <tr> <td>U-45</td> <td>"</td> <td>"</td> <td>V-675</td> <td>122</td> <td>1/2</td> <td>2900</td> <td>1\"/&gt;  <tr> <td>U-46</td> <td>"</td> <td>"</td> <td>V-675</td> <td>122</td> <td>1/2</td> <td>2900</td> <td>1\"/&gt;  <tr> <td>U-47</td> <td>"</td> <td>"</td> <td>V-675</td> <td>122</td> <td>1/2</td> <td>2900</td> <td>1\"/&gt;  <tr> <td>U-48</td> <td>"</td> <td>"</td> <td>V-675</td> <td>122</td> <td>1/2</td> <td>2900</td> <td>1\"/&gt;  <tr> <td>U-49</td> <td>"</td> <td>"</td> <td>V-675</td> <td>122</td> <td>1/2</td> <td>2900</td> <td>1\"/&gt;  <tr> <td>U-50</td> <td>"</td> <td>"</td> <td>V-675</td> <td>122</td> <td>1/2</td> <td>2900</td> <td>1\"/&gt;  </td></tr></td></tr></td></tr></td></tr></td></tr></td></tr>  
  | U-45 | " | " | V-675 | 122 | 1/2 | 2900 | 1\"/> <tr> <td>U-46</td> <td>"</td> <td>"</td> <td>V-675</td> <td>122</td> <td>1/2</td> <td>2900</td> <td>1\"/&gt;  <tr> <td>U-47</td> <td>"</td> <td>"</td> <td>V-675</td> <td>122</td> <td>1/2</td> <td>2900</td> <td>1\"/&gt;  <tr> <td>U-48</td> <td>"</td> <td>"</td> <td>V-675</td> <td>122</td> <td>1/2</td> <td>2900</td> <td>1\"/&gt;  <tr> <td>U-49</td> <td>"</td> <td>"</td> <td>V-675</td> <td>122</td> <td>1/2</td> <td>2900</td> <td>1\"/&gt;  <tr> <td>U-50</td> <td>"</td> <td>"</td> <td>V-675</td> <td>122</td> <td>1/2</td> <td>2900</td> <td>1\"/&gt;  </td></tr></td></tr></td></tr></td></tr></td></tr>   | U-46 | " | " | V-675 | 122 | 1/2 | 2900 | 1\"/> <tr> <td>U-47</td> <td>"</td> <td>"</td> <td>V-675</td> <td>122</td> <td>1/2</td> <td>2900</td> <td>1\"/&gt;  <tr> <td>U-48</td> <td>"</td> <td>"</td> <td>V-675</td> <td>122</td> <td>1/2</td> <td>2900</td> <td>1\"/&gt;  <tr> <td>U-49</td> <td>"</td> <td>"</td> <td>V-675</td> <td>122</td> <td>1/2</td> <td>2900</td> <td>1\"/&gt;  <tr> <td>U-50</td> <td>"</td> <td>"</td> <td>V-675</td> <td>122</td> <td>1/2</td> <td>2900</td> <td>1\"/&gt;  </td></tr></td></tr></td></tr></td></tr>  
  | U-47 | " | " | V-675 | 122 | 1/2 | 2900 | 1\"/> <tr> <td>U-48</td> <td>"</td> <td>"</td> <td>V-675</td> <td>122</td> <td>1/2</td> <td>2900</td> <td>1\"/&gt;  <tr> <td>U-49</td> <td>"</td> <td>"</td> <td>V-675</td> <td>122</td> <td>1/2</td> <td>2900</td> <td>1\"/&gt;  <tr> <td>U-50</td> <td>"</td> <td>"</td> <td>V-675</td> <td>122</td> <td>1/2</td> <td>2900</td> <td>1\"/&gt;  </td></tr></td></tr></td></tr>   | U-48 | " | " | V-675 | 122 | 1/2 | 2900 | 1\"/> <tr> <td>U-49</td> <td>"</td> <td>"</td> <td>V-675</td> <td>122</td> <td>1/2</td> <td>2900</td> <td>1\"/&gt;  <tr> <td>U-50</td> <td>"</td> <td>"</td> <td>V-675</td> <td>122</td> <td>1/2</td> <td>2900</td> <td>1\"/&gt;  </td></tr></td></tr>  
  | U-49 | " | " | V-675 | 122 | 1/2 | 2900 | 1\"/> <tr> <td>U-50</td> <td>"</td> <td>"</td> <td>V-675</td> <td>122</td> <td>1/2</td> <td>2900</td> <td>1\"/&gt;  </td></tr>   | U-50 | " | " | V-675 | 122 | 1/2 | 2900 | 1\"/>  |      |   |   |       |     |     |      | | | | | | | | | | | | | | | | | | | | | | | | | | | | | | | | | | | | | | | | | |
   |      |   |   |       |     |     |      |  |      |   |   |       |     |     |      |  
   |      |   |   |       |     |     |      |  |      |   |   |       |     |     |      |  |      |   |   |       |     |     |      |   
  |      |   |   |       |     |     |      |  |      |   |   |       |     |     |      |  |      |   |   |       |     |     |      |  |      |   |   |       |     |     |      |   
  |      |   |   |       |     |     |      |  |      |   |   |       |     |     |      |  |      |   |   |       |     |     |      |  
   |      |   |   |       |     |     |      |  |      |   |   |       |     |     |      |  |      |   |   |       |     |     |      |  |      |   |   |       |     |     |      |  |      |   |   |       |     |     |      |   
  |      |   |   |       |     |     |      |  |      |   |   |       |     |     |      |  |      |   |   |       |     |     |      |  |      |   |   |       |     |     |      |  |      |   |   |       |     |     |      |  |      |   |   |       |     |     |      |  |      |   |   |       |     |     |      |  
   |      |   |   |       |     |     |      |  |      |   |   |       |     |     |      |  |      |   |   |       |     |     |      |  |      |   |   |       |     |     |      |  |      |   |   |       |     |     |      |  |      |   |   |       |     |     |      |  |      |   |   |       |     |     |      |  |      |   |   |       |     |     |      |       |
| U-29 | "             | "                       | V-675    | 122  | 1/2           | 2900    | 1\"/> <tr> <td>U-30</td> <td>"</td> <td>"</td> <td>V-675</td> <td>122</td> <td>1/2</td> <td>2900</td> <td>1\"/&gt;  <tr> <td>U-31</td> <td>"</td> <td>"</td> <td>V-675</td> <td>122</td> <td>1/2</td> <td>2900</td> <td>1\"/&gt;  <tr> <td>U-32</td> <td>"</td> <td>"</td> <td>V-675</td> <td>122</td> <td>1/2</td> <td>2900</td> <td>1\"/&gt;  <tr> <td>U-33</td> <td>"</td> <td>"</td> <td>V-675</td> <td>122</td> <td>1/2</td> <td>2900</td> <td>1\"/&gt;  <tr> <td>U-34</td> <td>"</td> <td>"</td> <td>V-675</td> <td>122</td> <td>1/2</td> <td>2900</td> <td>1\"/&gt;  <tr> <td>U-35</td> <td>"</td> <td>"</td> <td>V-675</td> <td>122</td> <td>1/2</td> <td>2900</td> <td>1\"/&gt;  <tr> <td>U-36</td> <td>"</td> <td>"</td> <td>V-675</td> <td>122</td> <td>1/2</td> <td>2900</td> <td>1\"/&gt;  <tr> <td>U-37</td> <td>"</td> <td>"</td> <td>V-675</td> <td>122</td> <td>1/2</td> <td>2900</td> <td>1\"/&gt;  <tr> <td>U-38</td> <td>"</td> <td>"</td> <td>V-675</td> <td>122</td> <td>1/2</td> <td>2900</td> <td>1\"/&gt;  <tr> <td>U-39</td> <td>"</td> <td>"</td> <td>V-675</td> <td>122</td> <td>1/2</td> <td>2900</td> <td>1\"/&gt;  <tr> <td>U-40</td> <td>"</td> <td>"</td> <td>V-675</td> <td>122</td> <td>1/2</td> <td>2900</td> <td>1\"/&gt;  <tr> <td>U-41</td> <td>"</td> <td>"</td> <td>V-675</td> <td>122</td> <td>1/2</td> <td>2900</td> <td>1\"/&gt;  <tr> <td>U-42</td> <td>"</td> <td>"</td> <td>V-675</td> <td>122</td> <td>1/2</td> <td>2900</td> <td>1\"/&gt;  <tr> <td>U-43</td> <td>"</td> <td>"</td> <td>V-675</td> <td>122</td> <td>1/2</td> <td>2900</td> <td>1\"/&gt;  <tr> <td>U-44</td> <td>"</td> <td>"</td> <td>V-675</td> <td>122</td> <td>1/2</td> <td>2900</td> <td>1\"/&gt;  <tr> <td>U-45</td> <td>"</td> <td>"</td> <td>V-675</td> <td>122</td> <td>1/2</td> <td>2900</td> <td>1\"/&gt;  <tr> <td>U-46</td> <td>"</td> <td>"</td> <td>V-675</td> <td>122</td> <td>1/2</td> <td>2900</td> <td>1\"/&gt;  <tr> <td>U-47</td> <td>"</td> <td>"</td> <td>V-675</td> <td>122</td> <td>1/2</td> <td>2900</td> <td>1\"/&gt;  <tr> <td>U-48</td> <td>"</td> <td>"</td> <td>V-675</td> <td>122</td> <td>1/2</td> <td>2900</td> <td>1\"/&gt;  <tr> <td>U-49</td> <td>"</td> <td>"</td> <td>V-675</td> <td>122</td> <td>1/2</td> <td>2900</td> <td>1\"/&gt;  <tr> <td>U-50</td> <td>"</td> <td>"</td> <td>V-675</td> <td>122</td> <td>1/2</td> <td>2900</td> <td>1\"/&gt;  </td></tr></td></tr></td></tr></td></tr></td></tr></td></tr></td></tr></td></tr></td></tr></td></tr></td></tr></td></tr></td></tr></td></tr></td></tr></td></tr></td></tr></td></tr></td></tr></td></tr></td></tr>  | U-30 | " | " | V-675  | 122  | 1/2 | 2900   | 1\"/> <tr> <td>U-31</td> <td>"</td> <td>"</td> <td>V-675</td> <td>122</td> <td>1/2</td> <td>2900</td> <td>1\"/&gt;  <tr> <td>U-32</td> <td>"</td> <td>"</td> <td>V-675</td> <td>122</td> <td>1/2</td> <td>2900</td> <td>1\"/&gt;  <tr> <td>U-33</td> <td>"</td> <td>"</td> <td>V-675</td> <td>122</td> <td>1/2</td> <td>2900</td> <td>1\"/&gt;  <tr> <td>U-34</td> <td>"</td> <td>"</td> <td>V-675</td> <td>122</td> <td>1/2</td> <td>2900</td> <td>1\"/&gt;  <tr> <td>U-35</td> <td>"</td> <td>"</td> <td>V-675</td> <td>122</td> <td>1/2</td> <td>2900</td> <td>1\"/&gt;  <tr> <td>U-36</td> <td>"</td> <td>"</td> <td>V-675</td> <td>122</td> <td>1/2</td> <td>2900</td> <td>1\"/&gt;  <tr> <td>U-37</td> <td>"</td> <td>"</td> <td>V-675</td> <td>122</td> <td>1/2</td> <td>2900</td> <td>1\"/&gt;  <tr> <td>U-38</td> <td>"</td> <td>"</td> <td>V-675</td> <td>122</td> <td>1/2</td> <td>2900</td> <td>1\"/&gt;  <tr> <td>U-39</td> <td>"</td> <td>"</td> <td>V-675</td> <td>122</td> <td>1/2</td> <td>2900</td> <td>1\"/&gt;  <tr> <td>U-40</td> <td>"</td> <td>"</td> <td>V-675</td> <td>122</td> <td>1/2</td> <td>2900</td> <td>1\"/&gt;  <tr> <td>U-41</td> <td>"</td> <td>"</td> <td>V-675</td> <td>122</td> <td>1/2</td> <td>2900</td> <td>1\"/&gt;  <tr> <td>U-42</td> <td>"</td> <td>"</td> <td>V-675</td> <td>122</td> <td>1/2</td> <td>2900</td> <td>1\"/&gt;  <tr> <td>U-43</td> <td>"</td> <td>"</td> <td>V-675</td> <td>122</td> <td>1/2</td> <td>2900</td> <td>1\"/&gt;  <tr> <td>U-44</td> <td>"</td> <td>"</td> <td>V-675</td> <td>122</td> <td>1/2</td> <td>2900</td> <td>1\"/&gt;  <tr> <td>U-45</td> <td>"</td> <td>"</td> <td>V-675</td> <td>122</td> <td>1/2</td> <td>2900</td> <td>1\"/&gt;  <tr> <td>U-46</td> <td>"</td> <td>"</td> <td>V-675</td> <td>122</td> <td>1/2</td> <td>2900</td> <td>1\"/&gt;  <tr> <td>U-47</td> <td>"</td> <td>"</td> <td>V-675</td> <td>122</td> <td>1/2</td> <td>2900</td> <td>1\"/&gt;  <tr> <td>U-48</td> <td>"</td> <td>"</td> <td>V-675</td> <td>122</td> <td>1/2</td> <td>2900</td> <td>1\"/&gt;  <tr> <td>U-49</td> <td>"</td> <td>"</td> <td>V-675</td> <td>122</td> <td>1/2</td> <td>2900</td> <td>1\"/&gt;  <tr> <td>U-50</td> <td>"</td> <td>"</td> <td>V-675</td> <td>122</td> <td>1/2</td> <td>2900</td> <td>1\"/&gt;  </td></tr></td></tr></td></tr></td></tr></td></tr></td></tr></td></tr></td></tr></td></tr></td></tr></td></tr></td></tr></td></tr></td></tr></td></tr></td></tr></td></tr></td></tr></td></tr></td></tr>  
  | U-31 | " | " | V-675  | 122 | 1/2 | 2900   | 1\"/> <tr> <td>U-32</td> <td>"</td> <td>"</td> <td>V-675</td> <td>122</td> <td>1/2</td> <td>2900</td> <td>1\"/&gt;  <tr> <td>U-33</td> <td>"</td> <td>"</td> <td>V-675</td> <td>122</td> <td>1/2</td> <td>2900</td> <td>1\"/&gt;  <tr> <td>U-34</td> <td>"</td> <td>"</td> <td>V-675</td> <td>122</td> <td>1/2</td> <td>2900</td> <td>1\"/&gt;  <tr> <td>U-35</td> <td>"</td> <td>"</td> <td>V-675</td> <td>122</td> <td>1/2</td> <td>2900</td> <td>1\"/&gt;  <tr> <td>U-36</td> <td>"</td> <td>"</td> <td>V-675</td> <td>122</td> <td>1/2</td> <td>2900</td> <td>1\"/&gt;  <tr> <td>U-37</td> <td>"</td> <td>"</td> <td>V-675</td> <td>122</td> <td>1/2</td> <td>2900</td> <td>1\"/&gt;  <tr> <td>U-38</td> <td>"</td> <td>"</td> <td>V-675</td> <td>122</td> <td>1/2</td> <td>2900</td> <td>1\"/&gt;  <tr> <td>U-39</td> <td>"</td> <td>"</td> <td>V-675</td> <td>122</td> <td>1/2</td> <td>2900</td> <td>1\"/&gt;  <tr> <td>U-40</td> <td>"</td> <td>"</td> <td>V-675</td> <td>122</td> <td>1/2</td> <td>2900</td> <td>1\"/&gt;  <tr> <td>U-41</td> <td>"</td> <td>"</td> <td>V-675</td> <td>122</td> <td>1/2</td> <td>2900</td> <td>1\"/&gt;  <tr> <td>U-42</td> <td>"</td> <td>"</td> <td>V-675</td> <td>122</td> <td>1/2</td> <td>2900</td> <td>1\"/&gt;  <tr> <td>U-43</td> <td>"</td> <td>"</td> <td>V-675</td> <td>122</td> <td>1/2</td> <td>2900</td> <td>1\"/&gt;  <tr> <td>U-44</td> <td>"</td> <td>"</td> <td>V-675</td> <td>122</td> <td>1/2</td> <td>2900</td> <td>1\"/&gt;  <tr> <td>U-45</td> <td>"</td> <td>"</td> <td>V-675</td> <td>122</td> <td>1/2</td> <td>2900</td> <td>1\"/&gt;  <tr> <td>U-46</td> <td>"</td> <td>"</td> <td>V-675</td> <td>122</td> <td>1/2</td> <td>2900</td> <td>1\"/&gt;  <tr> <td>U-47</td> <td>"</td> <td>"</td> <td>V-675</td> <td>122</td> <td>1/2</td> <td>2900</td> <td>1\"/&gt;  <tr> <td>U-48</td> <td>"</td> <td>"</td> <td>V-675</td> <td>122</td> <td>1/2</td> <td>2900</td> <td>1\"/&gt;  <tr> <td>U-49</td> <td>"</td> <td>"</td> <td>V-675</td> <td>122</td> <td>1/2</td> <td>2900</td> <td>1\"/&gt;  <tr> <td>U-50</td> <td>"</td> <td>"</td> <td>V-675</td> <td>122</td> <td>1/2</td> <td>2900</td> <td>1\"/&gt;  </td></tr></td></tr></td></tr></td></tr></td></tr></td></tr></td></tr></td></tr></td></tr></td></tr></td></tr></td></tr></td></tr></td></tr></td></tr></td></tr></td></tr></td></tr></td></tr>   | U-32 | " | " | V-675 | 122 | 1/2 | 2900    | 1\"/> <tr> <td>U-33</td> <td>"</td> <td>"</td> <td>V-675</td> <td>122</td> <td>1/2</td> <td>2900</td> <td>1\"/&gt;  <tr> <td>U-34</td> <td>"</td> <td>"</td> <td>V-675</td> <td>122</td> <td>1/2</td> <td>2900</td> <td>1\"/&gt;  <tr> <td>U-35</td> <td>"</td> <td>"</td> <td>V-675</td> <td>122</td> <td>1/2</td> <td>2900</td> <td>1\"/&gt;  <tr> <td>U-36</td> <td>"</td> <td>"</td> <td>V-675</td> <td>122</td> <td>1/2</td> <td>2900</td> <td>1\"/&gt;  <tr> <td>U-37</td> <td>"</td> <td>"</td> <td>V-675</td> <td>122</td> <td>1/2</td> <td>2900</td> <td>1\"/&gt;  <tr> <td>U-38</td> <td>"</td> <td>"</td> <td>V-675</td> <td>122</td> <td>1/2</td> <td>2900</td> <td>1\"/&gt;  <tr> <td>U-39</td> <td>"</td> <td>"</td> <td>V-675</td> <td>122</td> <td>1/2</td> <td>2900</td> <td>1\"/&gt;  <tr> <td>U-40</td> <td>"</td> <td>"</td> <td>V-675</td> <td>122</td> <td>1/2</td> <td>2900</td> <td>1\"/&gt;  <tr> <td>U-41</td> <td>"</td> <td>"</td> <td>V-675</td> <td>122</td> <td>1/2</td> <td>2900</td> <td>1\"/&gt;  <tr> <td>U-42</td> <td>"</td> <td>"</td> <td>V-675</td> <td>122</td> <td>1/2</td> <td>2900</td> <td>1\"/&gt;  <tr> <td>U-43</td> <td>"</td> <td>"</td> <td>V-675</td> <td>122</td> <td>1/2</td> <td>2900</td> <td>1\"/&gt;  <tr> <td>U-44</td> <td>"</td> <td>"</td> <td>V-675</td> <td>122</td> <td>1/2</td> <td>2900</td> <td>1\"/&gt;  <tr> <td>U-45</td> <td>"</td> <td>"</td> <td>V-675</td> <td>122</td> <td>1/2</td> <td>2900</td> <td>1\"/&gt;  <tr> <td>U-46</td> <td>"</td> <td>"</td> <td>V-675</td> <td>122</td> <td>1/2</td> <td>2900</td> <td>1\"/&gt;  <tr> <td>U-47</td> <td>"</td> <td>"</td> <td>V-675</td> <td>122</td> <td>1/2</td> <td>2900</td> <td>1\"/&gt;  <tr> <td>U-48</td> <td>"</td> <td>"</td> <td>V-675</td> <td>122</td> <td>1/2</td> <td>2900</td> <td>1\"/&gt;  <tr> <td>U-49</td> <td>"</td> <td>"</td>
<td>V-675</td> <td>122</td> <td>1/2</td> <td>2900</td> <td>1\"/&gt;  <tr> <td>U-50</td> <td>"</td> <td>"</td> <td>V-675</td> <td>122</td> <td>1/2</td> <td>2900</td> <td>1\"/&gt;  </td></tr></td></tr></td></tr></td></tr></td></tr></td></tr></td></tr></td></tr></td></tr></td></tr></td></tr></td></tr></td></tr></td></tr></td></tr></td></tr></td></tr></td></tr>  | U-33 | " | " | V-675 | 122 | 1/2 | 2900   | 1\"/> <tr> <td>U-34</td> <td>"</td> <td>"</td> <td>V-675</td> <td>122</td> <td>1/2</td> <td>2900</td> <td>1\"/&gt;  <tr> <td>U-35</td> <td>"</td> <td>"</td> <td>V-675</td> <td>122</td> <td>1/2</td> <td>2900</td> <td>1\"/&gt;  <tr> <td>U-36</td> <td>"</td> <td>"</td> <td>V-675</td> <td>122</td> <td>1/2</td> <td>2900</td> <td>1\"/&gt;  <tr> <td>U-37</td> <td>"</td> <td>"</td> <td>V-675</td> <td>122</td> <td>1/2</td> <td>2900</td> <td>1\"/&gt;  <tr> <td>U-38</td> <td>"</td> <td>"</td> <td>V-675</td> <td>122</td> <td>1/2</td> <td>2900</td> <td>1\"/&gt;  <tr> <td>U-39</td> <td>"</td> <td>"</td> <td>V-675</td> <td>122</td> <td>1/2</td> <td>2900</td> <td>1\"/&gt;  <tr> <td>U-40</td> <td>"</td> <td>"</td> <td>V-675</td> <td>122</td> <td>1/2</td> <td>2900</td> <td>1\"/&gt;  <tr> <td>U-41</td> <td>"</td> <td>"</td> <td>V-675</td> <td>122</td> <td>1/2</td> <td>2900</td> <td>1\"/&gt;  <tr> <td>U-42</td> <td>"</td> <td>"</td> <td>V-675</td> <td>122</td> <td>1/2</td> <td>2900</td> <td>1\"/&gt;  <tr> <td>U-43</td> <td>"</td> <td>"</td> <td>V-675</td> <td>122</td> <td>1/2</td> <td>2900</td> <td>1\"/&gt;  <tr> <td>U-44</td> <td>"</td> <td>"</td> <td>V-675</td> <td>122</td> <td>1/2</td> <td>2900</td> <td>1\"/&gt;  <tr> <td>U-45</td> <td>"</td> <td>"</td> <td>V-675</td> <td>122</td> <td>1/2</td> <td>2900</td> <td>1\"/&gt;  <tr> <td>U-46</td> <td>"</td> <td>"</td> <td>V-675</td> <td>122</td> <td>1/2</td> <td>2900</td> <td>1\"/&gt;  <tr> <td>U-47</td> <td>"</td> <td>"</td> <td>V-675</td> <td>122</td> <td>1/2</td> <td>2900</td> <td>1\"/&gt;  <tr> <td>U-48</td> <td>"</td> <td>"</td> <td>V-675</td> <td>122</td> <td>1/2</td> <td>2900</td> <td>1\"/&gt;  <tr> <td>U-49</td> <td>"</td> <td>"</td> <td>V-675</td> <td>122</td> <td>1/2</td> <td>2900</td> <td>1\"/&gt;  <tr> <td>U-50</td> <td>"</td> <td>"</td> <td>V-675</td> <td>122</td> <td>1/2</td> <td>2900</td> <td>1\"/&gt;  </td></tr></td></tr></td></tr></td></tr></td></tr></td></tr></td></tr></td></tr></td></tr></td></tr></td></tr></td></tr></td></tr></td></tr></td></tr></td></tr></td></tr>   | U-34 | " | " | V-675 | 122 | 1/2 | 2900    | 1\"/> <tr> <td>U-35</td> <td>"</td> <td>"</td> <td>V-675</td> <td>122</td> <td>1/2</td> <td>2900</td> <td>1\"/&gt;  <tr> <td>U-36</td> <td>"</td> <td>"</td> <td>V-675</td> <td>122</td> <td>1/2</td> <td>2900</td> <td>1\"/&gt;  <tr> <td>U-37</td> <td>"</td> <td>"</td> <td>V-675</td> <td>122</td> <td>1/2</td> <td>2900</td> <td>1\"/&gt;  <tr> <td>U-38</td> <td>"</td> <td>"</td> <td>V-675</td> <td>122</td> <td>1/2</td> <td>2900</td> <td>1\"/&gt;  <tr> <td>U-39</td> <td>"</td> <td>"</td> <td>V-675</td> <td>122</td> <td>1/2</td> <td>2900</td> <td>1\"/&gt;  <tr> <td>U-40</td> <td>"</td> <td>"</td> <td>V-675</td> <td>122</td> <td>1/2</td> <td>2900</td> <td>1\"/&gt;  <tr> <td>U-41</td> <td>"</td> <td>"</td> <td>V-675</td> <td>122</td> <td>1/2</td> <td>2900</td> <td>1\"/&gt;  <tr>
<td>U-42</td> <td>"</td> <td>"</td> <td>V-675</td> <td>122</td> <td>1/2</td> <td>2900</td> <td>1\"/&gt;  <tr> <td>U-43</td> <td>"</td> <td>"</td> <td>V-675</td> <td>122</td> <td>1/2</td> <td>2900</td> <td>1\"/&gt;  <tr> <td>U-44</td> <td>"</td> <td>"</td> <td>V-675</td> <td>122</td> <td>1/2</td> <td>2900</td> <td>1\"/&gt;  <tr> <td>U-45</td> <td>"</td> <td>"</td> <td>V-675</td> <td>122</td> <td>1/2</td> <td>2900</td> <td>1\"/&gt;  <tr> <td>U-46</td> <td>"</td> <td>"</td> <td>V-675</td> <td>122</td> <td>1/2</td> <td>2900</td> <td>1\"/&gt;  <tr> <td>U-47</td> <td>"</td> <td>"</td> <td>V-675</td> <td>122</td> <td>1/2</td> <td>2900</td> <td>1\"/&gt;  <tr> <td>U-48</td> <td>"</td> <td>"</td> <td>V-675</td> <td>122</td> <td>1/2</td> <td>2900</td> <td>1\"/&gt;  <tr> <td>U-49</td> <td>"</td> <td>"</td> <td>V-675</td> <td>122</td> <td>1/2</td> <td>2900</td> <td>1\"/&gt;  <tr> <td>U-50</td> <td>"</td> <td>"</td> <td>V-675</td> <td>122</td> <td>1/2</td> <td>2900</td> <td>1\"/&gt;  </td></tr></td></tr></td></tr></td></tr></td></tr></td></tr></td></tr></td></tr></td></tr></td></tr></td></tr></td></tr></td></tr></td></tr></td></tr></td></tr>  | U-35 | "           | "      | V-675  | 122  | 1/2 | 2900 | 1\"/> <tr> <td>U-36</td> <td>"</td> <td>"</td> <td>V-675</td> <td>122</td> <td>1/2</td> <td>2900</td> <td>1\"/&gt;  <tr> <td>U-37</td> <td>"</td> <td>"</td> <td>V-675</td> <td>122</td> <td>1/2</td> <td>2900</td> <td>1\"/&gt;  <tr> <td>U-38</td> <td>"</td> <td>"</td> <td>V-675</td> <td>122</td> <td>1/2</td> <td>2900</td> <td>1\"/&gt;  <tr> <td>U-39</td> <td>"</td> <td>"</td> <td>V-675</td> <td>122</td> <td>1/2</td> <td>2900</td> <td>1\"/&gt;  <tr> <td>U-40</td> <td>"</td> <td>"</td> <td>V-675</td> <td>122</td> <td>1/2</td> <td>2900</td> <td>1\"/&gt;  <tr> <td>U-41</td> <td>"</td> <td>"</td> <td>V-675</td> <td>122</td> <td>1/2</td> <td>2900</td> <td>1\"/&gt;  <tr> <td>U-42</td> <td>"</td> <td>"</td> <td>V-675</td> <td>122</td> <td>1/2</td> <td>2900</td> <td>1\"/&gt;  <tr> <td>U-43</td> <td>"</td> <td>"</td> <td>V-675</td> <td>122</td> <td>1/2</td> <td>2900</td> <td>1\"/&gt;  <tr> <td>U-44</td> <td>"</td> <td>"</td> <td>V-675</td> <td>122</td> <td>1/2</td> <td>2900</td> <td>1\"/&gt;  <tr> <td>U-45</td> <td>"</td> <td>"</td> <td>V-675</td> <td>122</td> <td>1/2</td> <td>2900</td> <td>1\"/&gt;  <tr> <td>U-46</td> <td>"</td> <td>"</td> <td>V-675</td> <td>122</td> <td>1/2</td> <td>2900</td> <td>1\"/&gt;  <tr> <td>U-47</td> <td>"</td> <td>"</td> <td>V-675</td> <td>122</td> <td>1/2</td> <td>2900</td> <td>1\"/&gt;  <tr> <td>U-48</td> <td>"</td> <td>"</td> <td>V-675</td> <td>122</td> <td>1/2</td> <td>2900</td> <td>1\"/&gt;  <tr> <td>U-49</td> <td>"</td> <td>"</td> <td>V-675</td> <td>122</td> <td>1/2</td> <td>2900</td> <td>1\"/&gt;  <tr> <td>U-50</td> <td>"</td> <td>"</td> <td>V-675</td> <td>122</td> <td>1/2</td> <td>2900</td> <td>1\"/&gt;  </td></tr></td></tr></td></tr></td></tr></td></tr></td></tr></td></tr></td></tr></td></tr></td></tr></td></tr></td></tr></td></tr></td></tr></td></tr>   
  | U-36 | " | " | V-675  | 122  | 1/2 | 2900 | 1\"/> <tr> <td>U-37</td> <td>"</td> <td>"</td> <td>V-675</td> <td>122</td> <td>1/2</td> <td>2900</td> <td>1\"/&gt;  <tr> <td>U-38</td> <td>"</td> <td>"</td> <td>V-675</td> <td>122</td> <td>1/2</td> <td>2900</td> <td>1\"/&gt;  <tr> <td>U-39</td> <td>"</td> <td>"</td> <td>V-675</td> <td>122</td> <td>1/2</td> <td>2900</td> <td>1\"/&gt;  <tr> <td>U-40</td> <td>"</td> <td>"</td> <td>V-675</td> <td>122</td> <td>1/2</td> <td>2900</td> <td>1\"/&gt;  <tr> <td>U-41</td> <td>"</td> <td>"</td> <td>V-675</td> <td>122</td> <td>1/2</td> <td>2900</td> <td>1\"/&gt;  <tr> <td>U-42</td> <td>"</td> <td>"</td> <td>V-675</td> <td>122</td> <td>1/2</td> <td>2900</td> <td>1\"/&gt;  <tr> <td>U-43</td> <td>"</td> <td>"</td> <td>V-675</td> <td>122</td> <td>1/2</td> <td>2900</td> <td>1\"/&gt;  <tr> <td>U-44</td> <td>"</td> <td>"</td> <td>V-675</td> <td>122</td> <td>1/2</td> <td>2900</td> <td>1\"/&gt;  <tr> <td>U-45</td> <td>"</td> <td>"</td> <td>V-675</td> <td>122</td> <td>1/2</td> <td>2900</td> <td>1\"/&gt;  <tr> <td>U-46</td> <td>"</td> <td>"</td> <td>V-675</td> <td>122</td> <td>1/2</td> <td>2900</td> <td>1\"/&gt;  <tr> <td>U-47</td> <td>"</td> <td>"</td> <td>V-675</td> <td>122</td> <td>1/2</td> <td>2900</td> <td>1\"/&gt;  <tr> <td>U-48</td> <td>"</td> <td>"</td> <td>V-675</td> <td>122</td> <td>1/2</td> <td>2900</td> <td>1\"/&gt;  <tr> <td>U-49</td> <td>"</td> <td>"</td> <td>V-675</td> <td>122</td> <td>1/2</td> <td>2900</td> <td>1\"/&gt;  <tr> <td>U-50</td> <td>"</td> <td>"</td> <td>V-675</td> <td>122</td> <td>1/2</td> <td>2900</td> <td>1\"/&gt;  </td></tr></td></tr></td></tr></td></tr></td></tr></td></tr></td></tr></td></tr></td></tr></td></tr></td></tr></td></tr></td></tr></td></tr>   | U-37 | " | " | V-675  | 122 | 1/2 | 2900 | 1\"/> <tr> <td>U-38</td> <td>"</td> <td>"</td> <td>V-675</td> <td>122</td> <td>1/2</td> <td>2900</td> <td>1\"/&gt;  <tr> <td>U-39</td> <td>"</td> <td>"</td> <td>V-675</td> <td>122</td> <td>1/2</td> <td>2900</td> <td>1\"/&gt;  <tr> <td>U-40</td> <td>"</td> <td>"</td> <td>V-675</td> <td>122</td> <td>1/2</td> <td>2900</td> <td>1\"/&gt;  <tr> <td>U-41</td> <td>"</td> <td>"</td> <td>V-675</td> <td>122</td> <td>1/2</td> <td>2900</td> <td>1\"/&gt;  <tr> <td>U-42</td> <td>"</td> <td>"</td> <td>V-675</td> <td>122</td> <td>1/2</td> <td>2900</td> <td>1\"/&gt;  <tr> <td>U-43</td> <td>"</td> <td>"</td> <td>V-675</td> <td>122</td> <td>1/2</td> <td>2900</td> <td>1\"/&gt;  <tr> <td>U-44</td> <td>"</td> <td>"</td> <td>V-675</td> <td>122</td> <td>1/2</td> <td>2900</td> <td>1\"/&gt;  <tr> <td>U-45</td> <td>"</td> <td>"</td> <td>V-675</td> <td>122</td> <td>1/2</td> <td>2900</td> <td>1\"/&gt;  <tr> <td>U-46</td> <td>"</td> <td>"</td> <td>V-675</td> <td>122</td> <td>1/2</td> <td>2900</td> <td>1\"/&gt;  <tr> <td>U-47</td> <td>"</td> <td>"</td> <td>V-675</td> <td>122</td> <td>1/2</td> <td>2900</td> <td>1\"/&gt;  <tr> <td>U-48</td> <td>"</td> <td>"</td> <td>V-675</td> <td>122</td> <td>1/2</td> <td>2900</td> <td>1\"/&gt;  <tr> <td>U-49</td> <td>"</td> <td>"</td> <td>V-675</td> <td>122</td> <td>1/2</td> <td>2900</td> <td>1\"/&gt;  <tr> <td>U-50</td> <td>"</td> <td>"</td> <td>V-675</td> <td>122</td> <td>1/2</td> <td>2900</td> <td>1\"/&gt;  </td></tr></td></tr></td></tr></td></tr></td></tr></td></tr></td></tr></td></tr></td></tr></td></tr></td></tr></td></tr></td></tr>   
   | U-38 | " | " | V-675 | 122 | 1/2 | 2900 | 1\"/> <tr> <td>U-39</td> <td>"</td> <td>"</td> <td>V-675</td> <td>122</td> <td>1/2</td> <td>2900</td> <td>1\"/&gt;  <tr> <td>U-40</td> <td>"</td> <td>"</td> <td>V-675</td> <td>122</td> <td>1/2</td> <td>2900</td> <td>1\"/&gt;  <tr> <td>U-41</td> <td>"</td> <td>"</td> <td>V-675</td> <td>122</td> <td>1/2</td> <td>2900</td> <td>1\"/&gt;  <tr> <td>U-42</td> <td>"</td> <td>"</td> <td>V-675</td> <td>122</td> <td>1/2</td> <td>2900</td> <td>1\"/&gt;  <tr> <td>U-43</td> <td>"</td> <td>"</td> <td>V-675</td> <td>122</td> <td>1/2</td> <td>2900</td> <td>1\"/&gt;  <tr> <td>U-44</td> <td>"</td> <td>"</td> <td>V-675</td> <td>122</td> <td>1/2</td> <td>2900</td> <td>1\"/&gt;  <tr> <td>U-45</td> <td>"</td> <td>"</td> <td>V-675</td> <td>122</td> <td>1/2</td> <td>2900</td> <td>1\"/&gt;  <tr> <td>U-46</td> <td>"</td> <td>"</td> <td>V-675</td> <td>122</td> <td>1/2</td> <td>2900</td> <td>1\"/&gt;  <tr> <td>U-47</td> <td>"</td> <td>"</td> <td>V-675</td> <td>122</td> <td>1/2</td> <td>2900</td> <td>1\"/&gt;  <tr> <td>U-48</td> <td>"</td> <td>"</td> <td>V-675</td> <td>122</td> <td>1/2</td> <td>2900</td> <td>1\"/&gt;  <tr> <td>U-49</td> <td>"</td> <td>"</td> <td>V-675</td> <td>122</td> <td>1/2</td> <td>2900</td> <td>1\"/&gt;  <tr> <td>U-50</td> <td>"</td> <td>"</td> <td>V-675</td> <td>122</td> <td>1/2</td> <td>2900</td> <td>1\"/&gt;  </td></tr></td></tr></td></tr></td></tr></td></tr></td></tr></td></tr></td></tr></td></tr></td></tr></td></tr></td></tr>  | U-39 | " | " | V-675 | 122 | 1/2 | 2900 | 1\"/> <tr> <td>U-40</td> <td>"</td> <td>"</td> <td>V-675</td> <td>122</td> <td>1/2</td> <td>2900</td> <td>1\"/&gt;  <tr> <td>U-41</td> <td>"</td> <td>"</td> <td>V-675</td> <td>122</td> <td>1/2</td> <td>2900</td> <td>1\"/&gt;  <tr> <td>U-42</td> <td>"</td> <td>"</td> <td>V-675</td> <td>122</td> <td>1/2</td> <td>2900</td> <td>1\"/&gt;  <tr> <td>U-43</td> <td>"</td> <td>"</td> <td>V-675</td> <td>122</td> <td>1/2</td> <td>2900</td> <td>1\"/&gt;  <tr> <td>U-44</td> <td>"</td> <td>"</td> <td>V-675</td> <td>122</td> <td>1/2</td> <td>2900</td> <td>1\"/&gt;  <tr> <td>U-45</td> <td>"</td> <td>"</td> <td>V-675</td> <td>122</td> <td>1/2</td> <td>2900</td> <td>1\"/&gt;  <tr> <td>U-46</td> <td>"</td> <td>"</td> <td>V-675</td> <td>122</td> <td>1/2</td> <td>2900</td> <td>1\"/&gt;  <tr> <td>U-47</td> <td>"</td> <td>"</td> <td>V-675</td> <td>122</td> <td>1/2</td> <td>2900</td> <td>1\"/&gt;  <tr> <td>U-48</td> <td>"</td> <td>"</td> <td>V-675</td> <td>122</td> <td>1/2</td> <td>2900</td> <td>1\"/&gt;  <tr> <td>U-49</td> <td>"</td> <td>"</td> <td>V-675</td> <td>122</td> <td>1/2</td> <td>2900</td> <td>1\"/&gt;  <tr> <td>U-50</td> <td>"</td> <td>"</td> <td>V-675</td> <td>122</td> <td>1/2</td> <td>2900</td> <td>1\"/&gt;  </td></tr></td></tr></td></tr></td></tr></td></tr></td></tr></td></tr></td></tr></td></tr></td></tr></td></tr>  
  | U-40 | " | " | V-675 | 122 | 1/2 | 2900 | 1\"/> <tr> <td>U-41</td> <td>"</td> <td>"</td> <td>V-675</td> <td>122</td> <td>1/2</td> <td>2900</td> <td>1\"/&gt;  <tr> <td>U-42</td> <td>"</td> <td>"</td> <td>V-675</td> <td>122</td> <td>1/2</td> <td>2900</td> <td>1\"/&gt;  <tr> <td>U-43</td> <td>"</td> <td>"</td> <td>V-675</td> <td>122</td> <td>1/2</td> <td>2900</td> <td>1\"/&gt;  <tr> <td>U-44</td> <td>"</td> <td>"</td> <td>V-675</td> <td>122</td> <td>1/2</td> <td>2900</td> <td>1\"/&gt;  <tr> <td>U-45</td> <td>"</td> <td>"</td> <td>V-675</td> <td>122</td> <td>1/2</td> <td>2900</td> <td>1\"/&gt;  <tr> <td>U-46</td> <td>"</td> <td>"</td> <td>V-675</td> <td>122</td> <td>1/2</td> <td>2900</td> <td>1\"/&gt;  <tr> <td>U-47</td> <td>"</td> <td>"</td> <td>V-675</td> <td>122</td> <td>1/2</td> <td>2900</td> <td>1\"/&gt;  <tr> <td>U-48</td> <td>"</td> <td>"</td> <td>V-675</td> <td>122</td> <td>1/2</td> <td>2900</td> <td>1\"/&gt;  <tr> <td>U-49</td> <td>"</td> <td>"</td> <td>V-675</td> <td>122</td> <td>1/2</td> <td>2900</td> <td>1\"/&gt;  <tr> <td>U-50</td> <td>"</td> <td>"</td> <td>V-675</td> <td>122</td> <td>1/2</td> <td>2900</td> <td>1\"/&gt;  </td></tr></td></tr></td></tr></td></tr></td></tr></td></tr></td></tr></td></tr></td></tr></td></tr>  | U-41 | " | " | V-675 | 122 | 1/2 | 2900 | 1\"/> <tr> <td>U-42</td> <td>"</td> <td>"</td> <td>V-675</td> <td>122</td> <td>1/2</td> <td>2900</td> <td>1\"/&gt;  <tr> <td>U-43</td> <td>"</td> <td>"</td> <td>V-675</td> <td>122</td> <td>1/2</td> <td>2900</td> <td>1\"/&gt;  <tr> <td>U-44</td> <td>"</td> <td>"</td> <td>V-675</td> <td>122</td> <td>1/2</td> <td>2900</td> <td>1\"/&gt;  <tr> <td>U-45</td> <td>"</td> <td>"</td> <td>V-675</td> <td>122</td> <td>1/2</td> <td>2900</td> <td>1\"/&gt;  <tr> <td>U-46</td> <td>"</td> <td>"</td> <td>V-675</td> <td>122</td> <td>1/2</td> <td>2900</td> <td>1\"/&gt;  <tr> <td>U-47</td> <td>"</td> <td>"</td> <td>V-675</td> <td>122</td> <td>1/2</td> <td>2900</td> <td>1\"/&gt;  <tr> <td>U-48</td> <td>"</td> <td>"</td> <td>V-675</td> <td>122</td> <td>1/2</td> <td>2900</td> <td>1\"/&gt;  <tr> <td>U-49</td> <td>"</td> <td>"</td> <td>V-675</td> <td>122</td> <td>1/2</td> <td>2900</td> <td>1\"/&gt;  <tr> <td>U-50</td> <td>"</td> <td>"</td> <td>V-675</td> <td>122</td> <td>1/2</td> <td>2900</td> <td>1\"/&gt;  </td></tr></td></tr></td></tr></td></tr></td></tr></td></tr></td></tr></td></tr></td></tr>   
   | U-42 | " | " | V-675 | 122 | 1/2 | 2900 | 1\"/> <tr> <td>U-43</td> <td>"</td> <td>"</td> <td>V-675</td> <td>122</td> <td>1/2</td> <td>2900</td> <td>1\"/&gt;  <tr> <td>U-44</td> <td>"</td> <td>"</td> <td>V-675</td> <td>122</td> <td>1/2</td> <td>2900</td> <td>1\"/&gt;  <tr> <td>U-45</td> <td>"</td> <td>"</td> <td>V-675</td> <td>122</td> <td>1/2</td> <td>2900</td> <td>1\"/&gt;  <tr> <td>U-46</td> <td>"</td> <td>"</td> <td>V-675</td> <td>122</td> <td>1/2</td> <td>2900</td> <td>1\"/&gt;  <tr> <td>U-47</td> <td>"</td> <td>"</td> <td>V-675</td> <td>122</td> <td>1/2</td> <td>2900</td> <td>1\"/&gt;  <tr> <td>U-48</td> <td>"</td> <td>"</td> <td>V-675</td> <td>122</td> <td>1/2</td> <td>2900</td> <td>1\"/&gt;  <tr> <td>U-49</td> <td>"</td> <td>"</td> <td>V-675</td> <td>122</td> <td>1/2</td> <td>2900</td> <td>1\"/&gt;  <tr> <td>U-50</td> <td>"</td> <td>"</td> <td>V-675</td> <td>122</td> <td>1/2</td> <td>2900</td> <td>1\"/&gt;  </td></tr></td></tr></td></tr></td></tr></td></tr></td></tr></td></tr></td></tr>  | U-43 | " | " | V-675 | 122 | 1/2 | 2900 | 1\"/> <tr> <td>U-44</td> <td>"</td> <td>"</td> <td>V-675</td> <td>122</td> <td>1/2</td> <td>2900</td> <td>1\"/&gt;  <tr> <td>U-45</td> <td>"</td> <td>"</td> <td>V-675</td> <td>122</td> <td>1/2</td> <td>2900</td> <td>1\"/&gt;  <tr> <td>U-46</td> <td>"</td> <td>"</td> <td>V-675</td> <td>122</td> <td>1/2</td> <td>2900</td> <td>1\"/&gt;  <tr> <td>U-47</td> <td>"</td> <td>"</td> <td>V-675</td> <td>122</td> <td>1/2</td> <td>2900</td> <td>1\"/&gt;  <tr> <td>U-48</td> <td>"</td> <td>"</td> <td>V-675</td> <td>122</td> <td>1/2</td> <td>2900</td> <td>1\"/&gt;  <tr> <td>U-49</td> <td>"</td> <td>"</td> <td>V-675</td> <td>122</td> <td>1/2</td> <td>2900</td> <td>1\"/&gt;  <tr> <td>U-50</td> <td>"</td> <td>"</td> <td>V-675</td> <td>122</td> <td>1/2</td> <td>2900</td> <td>1\"/&gt;  </td></tr></td></tr></td></tr></td></tr></td></tr></td></tr></td></tr>  
  | U-44 | " | " | V-675 | 122 | 1/2 | 2900 | 1\"/> <tr> <td>U-45</td> <td>"</td> <td>"</td> <td>V-675</td> <td>122</td> <td>1/2</td> <td>2900</td> <td>1\"/&gt;  <tr> <td>U-46</td> <td>"</td> <td>"</td> <td>V-675</td> <td>122</td> <td>1/2</td> <td>2900</td> <td>1\"/&gt;  <tr> <td>U-47</td> <td>"</td> <td>"</td> <td>V-675</td> <td>122</td> <td>1/2</td> <td>2900</td> <td>1\"/&gt;  <tr> <td>U-48</td> <td>"</td> <td>"</td> <td>V-675</td> <td>122</td> <td>1/2</td> <td>2900</td> <td>1\"/&gt;  <tr> <td>U-49</td> <td>"</td> <td>"</td> <td>V-675</td> <td>122</td> <td>1/2</td> <td>2900</td> <td>1\"/&gt;  <tr> <td>U-50</td> <td>"</td> <td>"</td> <td>V-675</td> <td>122</td> <td>1/2</td> <td>2900</td> <td>1\"/&gt;  </td></tr></td></tr></td></tr></td></tr></td></tr></td></tr>   | U-45 | " | " | V-675 | 122 | 1/2 | 2900 | 1\"/> <tr> <td>U-46</td> <td>"</td> <td>"</td> <td>V-675</td> <td>122</td> <td>1/2</td> <td>2900</td> <td>1\"/&gt;  <tr> <td>U-47</td> <td>"</td> <td>"</td> <td>V-675</td> <td>122</td> <td>1/2</td> <td>2900</td> <td>1\"/&gt;  <tr> <td>U-48</td> <td>"</td> <td>"</td> <td>V-675</td> <td>122</td> <td>1/2</td> <td>2900</td> <td>1\"/&gt;  <tr> <td>U-49</td> <td>"</td> <td>"</td> <td>V-675</td> <td>122</td> <td>1/2</td> <td>2900</td> <td>1\"/&gt;  <tr> <td>U-50</td> <td>"</td> <td>"</td> <td>V-675</td> <td>122</td> <td>1/2</td> <td>2900</td> <td>1\"/&gt;  </td></tr></td></tr></td></tr></td></tr></td></tr>  
  | U-46 | " | " | V-675 | 122 | 1/2 | 2900 | 1\"/> <tr> <td>U-47</td> <td>"</td> <td>"</td> <td>V-675</td> <td>122</td> <td>1/2</td> <td>2900</td> <td>1\"/&gt;  <tr> <td>U-48</td> <td>"</td> <td>"</td> <td>V-675</td> <td>122</td> <td>1/2</td> <td>2900</td> <td>1\"/&gt;  <tr> <td>U-49</td> <td>"</td> <td>"</td> <td>V-675</td> <td>122</td> <td>1/2</td> <td>2900</td> <td>1\"/&gt;  <tr> <td>U-50</td> <td>"</td> <td>"</td> <td>V-675</td> <td>122</td> <td>1/2</td> <td>2900</td> <td>1\"/&gt;  </td></tr></td></tr></td></tr></td></tr>   | U-47 | " | " | V-675 | 122 | 1/2 | 2900 | 1\"/> <tr> <td>U-48</td> <td>"</td> <td>"</td> <td>V-675</td> <td>122</td> <td>1/2</td> <td>2900</td> <td>1\"/&gt;  <tr> <td>U-49</td> <td>"</td> <td>"</td> <td>V-675</td> <td>122</td> <td>1/2</td> <td>2900</td> <td>1\"/&gt;  <tr> <td>U-50</td> <td>"</td> <td>"</td> <td>V-675</td> <td>122</td> <td>1/2</td> <td>2900</td> <td>1\"/&gt;  </td></tr></td></tr></td></tr>  
  | U-48 | " | " | V-675 | 122 | 1/2 | 2900 | 1\"/> <tr> <td>U-49</td> <td>"</td> <td>"</td> <td>V-675</td> <td>122</td> <td>1/2</td> <td>2900</td> <td>1\"/&gt;  <tr> <td>U-50</td> <td>"</td> <td>"</td> <td>V-675</td> <td>122</td> <td>1/2</td> <td>2900</td> <td>1\"/&gt;  </td></tr></td></tr>   | U-49 | " | " | V-675 | 122 | 1/2 | 2900 | 1\"/> <tr> <td>U-50</td> <td>"</td> <td>"</td> <td>V-675</td> <td>122</td> <td>1/2</td> <td>2900</td> <td>1\"/&gt;  </td></tr>  
  | U-50 | " | " | V-675 | 122 | 1/2 | 2900 | 1\"/>  |      |   |   |       |     |     |      |  |      |   |   |       |     |     |      | | | | | | | | | | | | | | | | | | | | | | | | | | | | | | | | | | | | | | | | | |
   |      |   |   |       |     |     |      |  |      |   |   |       |     |     |      |  
   |      |   |   |       |     |     |      |  |      |   |   |       |     |     |      |  |      |   |   |       |     |     |      |   
  |      |   |   |       |     |     |      |  |      |   |   |       |     |     |      |  |      |   |   |       |     |     |      |  |      |   |   |       |     |     |      |   
  |      |   |   |       |     |     |      |  |      |   |   |       |     |     |      |  |      |   |   |       |     |     |      |  
   |      |   |   |       |     |     |      |  |      |   |   |       |     |     |      |  |      |   |   |       |     |     |      |  |      |   |   |       |     |     |      |  |      |   |   |       |     |     |      |   
  |      |   |   |       |     |     |      |  |      |   |   |       |     |     |      |  |      |   |   |       |     |     |      |  |      |   |   |       |     |     |      |  |      |   |   |       |     |     |      |  |      |   |   |       |     |     |      |  |      |   |   |       |     |     |      |  
   |      |   |   |       |     |     |      |  |      |   |   |       |     |     |      |  |      |   |   |       |     |     |      |  |      |   |   |       |     |     |      |  |      |   |   |       |     |     |      |  |      |   |   |       |     |     |      |  |      |   |   |       |     |     |      |  |      |   |   |       |     |     |      |       |
| U-30 | "             | "                       | V-675    | 122  | 1/2           | 2900    | 1\"/> <tr> <td>U-31</td> <td>"</td> <td>"</td> <td>V-675</td> <td>122</td> <td>1/2</td> <td>2900</td> <td>1\"/&gt;  <tr> <td>U-32</td> <td>"</td> <td>"</td> <td>V-675</td> <td>122</td> <td>1/2</td> <td>2900</td> <td>1\"/&gt;  <tr> <td>U-33</td> <td>"</td> <td>"</td> <td>V-675</td> <td>122</td> <td>1/2</td> <td>2900</td> <td>1\"/&gt;  <tr> <td>U-34</td> <td>"</td> <td>"</td> <td>V-675</td> <td>122</td> <td>1/2</td> <td>2900</td> <td>1\"/&gt;  <tr> <td>U-35</td> <td>"</td> <td>"</td> <td>V-675</td> <td>122</td> <td>1/2</td> <td>2900</td> <td>1\"/&gt;  <tr> <td>U-36</td> <td>"</td> <td>"</td> <td>V-675</td> <td>122</td> <td>1/2</td> <td>2900</td> <td>1\"/&gt;  <tr> <td>U-37</td> <td>"</td> <td>"</td> <td>V-675</td> <td>122</td> <td>1/2</td> <td>2900</td> <td>1\"/&gt;  <tr> <td>U-38</td> <td>"</td> <td>"</td> <td>V-675</td> <td>122</td> <td>1/2</td> <td>2900</td> <td>1\"/&gt;  <tr> <td>U-39</td> <td>"</td> <td>"</td> <td>V-675</td> <td>122</td> <td>1/2</td> <td>2900</td> <td>1\"/&gt;  <tr> <td>U-40</td> <td>"</td> <td>"</td> <td>V-675</td> <td>122</td> <td>1/2</td> <td>2900</td> <td>1\"/&gt;  <tr> <td>U-41</td> <td>"</td> <td>"</td> <td>V-675</td> <td>122</td> <td>1/2</td> <td>2900</td> <td>1\"/&gt;  <tr> <td>U-42</td> <td>"</td> <td>"</td> <td>V-675</td> <td>122</td> <td>1/2</td> <td>2900</td> <td>1\"/&gt;  <tr> <td>U-43</td> <td>"</td> <td>"</td> <td>V-675</td> <td>122</td> <td>1/2</td> <td>2900</td> <td>1\"/&gt;  <tr> <td>U-44</td> <td>"</td> <td>"</td> <td>V-675</td> <td>122</td> <td>1/2</td> <td>2900</td> <td>1\"/&gt;  <tr> <td>U-45</td> <td>"</td> <td>"</td> <td>V-675</td> <td>122</td> <td>1/2</td> <td>2900</td> <td>1\"/&gt;  <tr> <td>U-46</td> <td>"</td> <td>"</td> <td>V-675</td> <td>122</td> <td>1/2</td> <td>2900</td> <td>1\"/&gt;  <tr> <td>U-47</td> <td>"</td> <td>"</td> <td>V-675</td> <td>122</td> <td>1/2</td> <td>2900</td> <td>1\"/&gt;  <tr> <td>U-48</td> <td>"</td> <td>"</td> <td>V-675</td> <td>122</td> <td>1/2</td> <td>2900</td> <td>1\"/&gt;  <tr> <td>U-49</td> <td>"</td> <td>"</td> <td>V-675</td> <td>122</td> <td>1/2</td> <td>2900</td> <td>1\"/&gt;  <tr> <td>U-50</td> <td>"</td> <td>"</td> <td>V-675</td> <td>122</td> <td>1/2</td> <td>2900</td> <td>1\"/&gt;  </td></tr></td></tr></td></tr></td></tr></td></tr></td></tr></td></tr></td></tr></td></tr></td></tr></td></tr></td></tr></td></tr></td></tr></td></tr></td></tr></td></tr></td></tr></td></tr></td></tr>  | U-31 | " | " | V-675  | 122  | 1/2 | 2900   | 1\"/> <tr> <td>U-32</td> <td>"</td> <td>"</td> <td>V-675</td> <td>122</td> <td>1/2</td> <td>2900</td> <td>1\"/&gt;  <tr> <td>U-33</td> <td>"</td> <td>"</td> <td>V-675</td> <td>122</td> <td>1/2</td> <td>2900</td> <td>1\"/&gt;  <tr> <td>U-34</td> <td>"</td> <td>"</td> <td>V-675</td> <td>122</td> <td>1/2</td> <td>2900</td> <td>1\"/&gt;  <tr> <td>U-35</td> <td>"</td> <td>"</td> <td>V-675</td> <td>122</td> <td>1/2</td> <td>2900</td> <td>1\"/&gt;  <tr> <td>U-36</td> <td>"</td> <td>"</td> <td>V-675</td> <td>122</td> <td>1/2</td> <td>2900</td> <td>1\"/&gt;  <tr> <td>U-37</td> <td>"</td> <td>"</td> <td>V-675</td> <td>122</td> <td>1/2</td> <td>2900</td> <td>1\"/&gt;  <tr> <td>U-38</td> <td>"</td> <td>"</td> <td>V-675</td> <td>122</td> <td>1/2</td> <td>2900</td> <td>1\"/&gt;  <tr> <td>U-39</td> <td>"</td> <td>"</td> <td>V-675</td> <td>122</td> <td>1/2</td> <td>2900</td> <td>1\"/&gt;  <tr> <td>U-40</td> <td>"</td> <td>"</td> <td>V-675</td> <td>122</td> <td>1/2</td> <td>2900</td> <td>1\"/&gt;  <tr> <td>U-41</td> <td>"</td> <td>"</td> <td>V-675</td> <td>122</td> <td>1/2</td> <td>2900</td> <td>1\"/&gt;  <tr> <td>U-42</td> <td>"</td> <td>"</td> <td>V-675</td> <td>122</td> <td>1/2</td> <td>2900</td> <td>1\"/&gt;  <tr> <td>U-43</td> <td>"</td> <td>"</td> <td>V-675</td> <td>122</td> <td>1/2</td> <td>2900</td> <td>1\"/&gt;  <tr> <td>U-44</td> <td>"</td> <td>"</td> <td>V-675</td> <td>122</td> <td>1/2</td> <td>2900</td> <td>1\"/&gt;  <tr> <td>U-45</td> <td>"</td> <td>"</td> <td>V-675</td> <td>122</td> <td>1/2</td> <td>2900</td> <td>1\"/&gt;  <tr> <td>U-46</td> <td>"</td> <td>"</td> <td>V-675</td> <td>122</td> <td>1/2</td> <td>2900</td> <td>1\"/&gt;  <tr> <td>U-47</td> <td>"</td> <td>"</td> <td>V-675</td> <td>122</td> <td>1/2</td> <td>2900</td> <td>1\"/&gt;  <tr> <td>U-48</td> <td>"</td> <td>"</td> <td>V-675</td> <td>122</td> <td>1/2</td> <td>2900</td> <td>1\"/&gt;  <tr> <td>U-49</td> <td>"</td> <td>"</td> <td>V-675</td> <td>122</td> <td>1/2</td> <td>2900</td> <td>1\"/&gt;  <tr> <td>U-50</td> <td>"</td> <td>"</td> <td>V-675</td> <td>122</td> <td>1/2</td> <td>2900</td> <td>1\"/&gt;  </td></tr></td></tr></td></tr></td></tr></td></tr></td></tr></td></tr></td></tr></td></tr></td></tr></td></tr></td></tr></td></tr></td></tr></td></tr></td></tr></td></tr></td></tr></td></tr>  
  | U-32 | " | " | V-675  | 122 | 1/2 | 2900   | 1\"/> <tr> <td>U-33</td> <td>"</td> <td>"</td> <td>V-675</td> <td>122</td> <td>1/2</td> <td>2900</td> <td>1\"/&gt;  <tr> <td>U-34</td> <td>"</td> <td>"</td> <td>V-675</td> <td>122</td> <td>1/2</td> <td>2900</td> <td>1\"/&gt;  <tr> <td>U-35</td> <td>"</td> <td>"</td> <td>V-675</td> <td>122</td> <td>1/2</td> <td>2900</td> <td>1\"/&gt;  <tr> <td>U-36</td> <td>"</td> <td>"</td> <td>V-675</td> <td>122</td> <td>1/2</td> <td>2900</td> <td>1\"/&gt;  <tr> <td>U-37</td> <td>"</td> <td>"</td> <td>V-675</td> <td>122</td> <td>1/2</td> <td>2900</td> <td>1\"/&gt;  <tr> <td>U-38</td> <td>"</td> <td>"</td> <td>V-675</td> <td>122</td> <td>1/2</td> <td>2900</td> <td>1\"/&gt;  <tr> <td>U-39</td> <td>"</td> <td>"</td> <td>V-675</td> <td>122</td> <td>1/2</td> <td>2900</td> <td>1\"/&gt;  <tr> <td>U-40</td> <td>"</td> <td>"</td> <td>V-675</td> <td>122</td> <td>1/2</td> <td>2900</td> <td>1\"/&gt;  <tr> <td>U-41</td> <td>"</td> <td>"</td> <td>V-675</td> <td>122</td> <td>1/2</td> <td>2900</td> <td>1\"/&gt;  <tr> <td>U-42</td> <td>"</td> <td>"</td> <td>V-675</td> <td>122</td> <td>1/2</td> <td>2900</td> <td>1\"/&gt;  <tr> <td>U-43</td> <td>"</td> <td>"</td> <td>V-675</td> <td>122</td> <td>1/2</td> <td>2900</td> <td>1\"/&gt;  <tr> <td>U-44</td> <td>"</td> <td>"</td> <td>V-675</td> <td>122</td> <td>1/2</td> <td>2900</td> <td>1\"/&gt;  <tr> <td>U-45</td> <td>"</td> <td>"</td> <td>V-675</td> <td>122</td> <td>1/2</td> <td>2900</td> <td>1\"/&gt;  <tr> <td>U-46</td> <td>"</td> <td>"</td> <td>V-675</td> <td>122</td> <td>1/2</td> <td>2900</td> <td>1\"/&gt;  <tr> <td>U-47</td> <td>"</td> <td>"</td> <td>V-675</td> <td>122</td> <td>1/2</td> <td>2900</td> <td>1\"/&gt;  <tr> <td>U-48</td> <td>"</td> <td>"</td> <td>V-675</td> <td>122</td> <td>1/2</td> <td>2900</td> <td>1\"/&gt;  <tr> <td>U-49</td> <td>"</td> <td>"</td> <td>V-675</td> <td>122</td> <td>1/2</td> <td>2900</td> <td>1\"/&gt;  <tr> <td>U-50</td> <td>"</td> <td>"</td> <td>V-675</td> <td>122</td> <td>1/2</td> <td>2900</td> <td>1\"/&gt;  </td></tr></td></tr></td></tr></td></tr></td></tr></td></tr></td></tr></td></tr></td></tr></td></tr></td></tr></td></tr></td></tr></td></tr></td></tr></td></tr></td></tr></td></tr>   | U-33 | " | " | V-675 | 122 | 1/2 | 2900    | 1\"/> <tr> <td>U-34</td> <td>"</td> <td>"</td> <td>V-675</td> <td>122</td> <td>1/2</td> <td>2900</td> <td>1\"/&gt;  <tr> <td>U-35</td> <td>"</td> <td>"</td> <td>V-675</td> <td>122</td> <td>1/2</td> <td>2900</td> <td>1\"/&gt;  <tr> <td>U-36</td> <td>"</td> <td>"</td> <td>V-675</td> <td>122</td> <td>1/2</td> <td>2900</td> <td>1\"/&gt;  <tr> <td>U-37</td> <td>"</td> <td>"</td> <td>V-675</td> <td>122</td> <td>1/2</td> <td>2900</td> <td>1\"/&gt;  <tr> <td>U-38</td> <td>"</td> <td>"</td> <td>V-675</td> <td>122</td> <td>1/2</td> <td>2900</td> <td>1\"/&gt;  <tr> <td>U-39</td> <td>"</td> <td>"</td> <td>V-675</td> <td>122</td> <td>1/2</td> <td>2900</td> <td>1\"/&gt;  <tr> <td>U-40</td> <td>"</td> <td>"</td> <td>V-675</td> <td>122</td> <td>1/2</td> <td>2900</td> <td>1\"/&gt;  <tr> <td>U-41</td> <td>"</td> <td>"</td> <td>V-675</td> <td>122</td> <td>1/2</td> <td>2900</td> <td>1\"/&gt;  <tr> <td>U-42</td> <td>"</td> <td>"</td> <td>V-675</td> <td>122</td> <td>1/2</td> <td>2900</td> <td>1\"/&gt;  <tr> <td>U-43</td> <td>"</td> <td>"</td> <td>V-675</td> <td>122</td> <td>1/2</td> <td>2900</td> <td>1\"/&gt;  <tr> <td>U-44</td> <td>"</td> <td>"</td> <td>V-675</td> <td>122</td> <td>1/2</td> <td>2900</td> <td>1\"/&gt;  <tr> <td>U-45</td> <td>"</td> <td>"</td> <td>V-675</td> <td>122</td> <td>1/2</td> <td>2900</td> <td>1\"/&gt;  <tr> <td>U-46</td> <td>"</td> <td>"</td> <td>V-675</td> <td>122</td> <td>1/2</td> <td>2900</td> <td>1\"/&gt;  <tr> <td>U-47</td> <td>"</td> <td>"</td> <td>V-675</td> <td>122</td> <td>1/2</td> <td>2900</td> <td>1\"/&gt;  <tr> <td>U-48</td> <td>"</td> <td>"</td> <td>V-675</td> <td>122</td> <td>1/2</td> <td>2900</td> <td>1\"/&gt;  <tr> <td>U-49</td> <td>"</td> <td>"</td> <td>V-675</td> <td>122</td> <td>1/2</td> <td>2900</td> <td>1\"/&gt;  <tr> <td>U-50</td> <td>"</td> <td>"</td>
<td>V-675</td> <td>122</td> <td>1/2</td> <td>2900</td> <td>1\"/&gt;  </td></tr></td></tr></td></tr></td></tr></td></tr></td></tr></td></tr></td></tr></td></tr></td></tr></td></tr></td></tr></td></tr></td></tr></td></tr></td></tr></td></tr>  | U-34 | " | " | V-675 | 122 | 1/2 | 2900   | 1\"/> <tr> <td>U-35</td> <td>"</td> <td>"</td> <td>V-675</td> <td>122</td> <td>1/2</td> <td>2900</td> <td>1\"/&gt;  <tr> <td>U-36</td> <td>"</td> <td>"</td> <td>V-675</td> <td>122</td> <td>1/2</td> <td>2900</td> <td>1\"/&gt;  <tr> <td>U-37</td> <td>"</td> <td>"</td> <td>V-675</td> <td>122</td> <td>1/2</td> <td>2900</td> <td>1\"/&gt;  <tr> <td>U-38</td> <td>"</td> <td>"</td> <td>V-675</td> <td>122</td> <td>1/2</td> <td>2900</td> <td>1\"/&gt;  <tr> <td>U-39</td> <td>"</td> <td>"</td> <td>V-675</td> <td>122</td> <td>1/2</td> <td>2900</td> <td>1\"/&gt;  <tr> <td>U-40</td> <td>"</td> <td>"</td> <td>V-675</td> <td>122</td> <td>1/2</td> <td>2900</td> <td>1\"/&gt;  <tr> <td>U-41</td> <td>"</td> <td>"</td> <td>V-675</td> <td>122</td> <td>1/2</td> <td>2900</td> <td>1\"/&gt;  <tr> <td>U-42</td> <td>"</td> <td>"</td> <td>V-675</td> <td>122</td> <td>1/2</td> <td>2900</td> <td>1\"/&gt;  <tr> <td>U-43</td> <td>"</td> <td>"</td> <td>V-675</td> <td>122</td> <td>1/2</td> <td>2900</td> <td>1\"/&gt;  <tr> <td>U-44</td> <td>"</td> <td>"</td> <td>V-675</td> <td>122</td> <td>1/2</td> <td>2900</td> <td>1\"/&gt;  <tr> <td>U-45</td> <td>"</td> <td>"</td> <td>V-675</td> <td>122</td> <td>1/2</td> <td>2900</td> <td>1\"/&gt;  <tr> <td>U-46</td> <td>"</td> <td>"</td> <td>V-675</td> <td>122</td> <td>1/2</td> <td>2900</td> <td>1\"/&gt;  <tr> <td>U-47</td> <td>"</td> <td>"</td> <td>V-675</td> <td>122</td> <td>1/2</td> <td>2900</td> <td>1\"/&gt;  <tr> <td>U-48</td> <td>"</td> <td>"</td> <td>V-675</td> <td>122</td> <td>1/2</td> <td>2900</td> <td>1\"/&gt;  <tr> <td>U-49</td> <td>"</td> <td>"</td> <td>V-675</td> <td>122</td> <td>1/2</td> <td>2900</td> <td>1\"/&gt;  <tr> <td>U-50</td> <td>"</td> <td>"</td> <td>V-675</td> <td>122</td> <td>1/2</td> <td>2900</td> <td>1\"/&gt;  </td></tr></td></tr></td></tr></td></tr></td></tr></td></tr></td></tr></td></tr></td></tr></td></tr></td></tr></td></tr></td></tr></td></tr></td></tr></td></tr>   | U-35 | " | " | V-675 | 122 | 1/2 | 2900    | 1\"/> <tr> <td>U-36</td> <td>"</td> <td>"</td> <td>V-675</td> <td>122</td> <td>1/2</td> <td>2900</td> <td>1\"/&gt;  <tr> <td>U-37</td> <td>"</td> <td>"</td> <td>V-675</td> <td>122</td> <td>1/2</td> <td>2900</td> <td>1\"/&gt;  <tr> <td>U-38</td> <td>"</td> <td>"</td> <td>V-675</td> <td>122</td> <td>1/2</td> <td>2900</td> <td>1\"/&gt;  <tr> <td>U-39</td> <td>"</td> <td>"</td> <td>V-675</td> <td>122</td> <td>1/2</td> <td>2900</td> <td>1\"/&gt;  <tr> <td>U-40</td> <td>"</td> <td>"</td> <td>V-675</td> <td>122</td> <td>1/2</td> <td>2900</td> <td>1\"/&gt;  <tr> <td>U-41</td> <td>"</td> <td>"</td> <td>V-675</td> <td>122</td> <td>1/2</td> <td>2900</td> <td>1\"/&gt;  <tr> <td>U-42</td> <td>"</td> <td>"</td> <td>V-675</td> <td>122</td> <td>1/2</td> <td>2900</td> <td>1\"/&gt;  <tr>
<td>U-43</td> <td>"</td> <td>"</td> <td>V-675</td> <td>122</td> <td>1/2</td> <td>2900</td> <td>1\"/&gt;  <tr> <td>U-44</td> <td>"</td> <td>"</td> <td>V-675</td> <td>122</td> <td>1/2</td> <td>2900</td> <td>1\"/&gt;  <tr> <td>U-45</td> <td>"</td> <td>"</td> <td>V-675</td> <td>122</td> <td>1/2</td> <td>2900</td> <td>1\"/&gt;  <tr> <td>U-46</td> <td>"</td> <td>"</td> <td>V-675</td> <td>122</td> <td>1/2</td> <td>2900</td> <td>1\"/&gt;  <tr> <td>U-47</td> <td>"</td> <td>"</td> <td>V-675</td> <td>122</td> <td>1/2</td> <td>2900</td> <td>1\"/&gt;  <tr> <td>U-48</td> <td>"</td> <td>"</td> <td>V-675</td> <td>122</td> <td>1/2</td> <td>2900</td> <td>1\"/&gt;  <tr> <td>U-49</td> <td>"</td> <td>"</td> <td>V-675</td> <td>122</td> <td>1/2</td> <td>2900</td> <td>1\"/&gt;  <tr> <td>U-50</td> <td>"</td> <td>"</td> <td>V-675</td> <td>122</td> <td>1/2</td> <td>2900</td> <td>1\"/&gt;  </td></tr></td></tr></td></tr></td></tr></td></tr></td></tr></td></tr></td></tr></td></tr></td></tr></td></tr></td></tr></td></tr></td></tr></td></tr>  | U-36 | "           | "      | V-675  | 122  | 1/2 | 2900 | 1\"/> <tr> <td>U-37</td> <td>"</td> <td>"</td> <td>V-675</td> <td>122</td> <td>1/2</td> <td>2900</td> <td>1\"/&gt;  <tr> <td>U-38</td> <td>"</td> <td>"</td> <td>V-675</td> <td>122</td> <td>1/2</td> <td>2900</td> <td>1\"/&gt;  <tr> <td>U-39</td> <td>"</td> <td>"</td> <td>V-675</td> <td>122</td> <td>1/2</td> <td>2900</td> <td>1\"/&gt;  <tr> <td>U-40</td> <td>"</td> <td>"</td> <td>V-675</td> <td>122</td> <td>1/2</td> <td>2900</td> <td>1\"/&gt;  <tr> <td>U-41</td> <td>"</td> <td>"</td> <td>V-675</td> <td>122</td> <td>1/2</td> <td>2900</td> <td>1\"/&gt;  <tr> <td>U-42</td> <td>"</td> <td>"</td> <td>V-675</td> <td>122</td> <td>1/2</td> <td>2900</td> <td>1\"/&gt;  <tr> <td>U-43</td> <td>"</td> <td>"</td> <td>V-675</td> <td>122</td> <td>1/2</td> <td>2900</td> <td>1\"/&gt;  <tr> <td>U-44</td> <td>"</td> <td>"</td> <td>V-675</td> <td>122</td> <td>1/2</td> <td>2900</td> <td>1\"/&gt;  <tr> <td>U-45</td> <td>"</td> <td>"</td> <td>V-675</td> <td>122</td> <td>1/2</td> <td>2900</td> <td>1\"/&gt;  <tr> <td>U-46</td> <td>"</td> <td>"</td> <td>V-675</td> <td>122</td> <td>1/2</td> <td>2900</td> <td>1\"/&gt;  <tr> <td>U-47</td> <td>"</td> <td>"</td> <td>V-675</td> <td>122</td> <td>1/2</td> <td>2900</td> <td>1\"/&gt;  <tr> <td>U-48</td> <td>"</td> <td>"</td> <td>V-675</td> <td>122</td> <td>1/2</td> <td>2900</td> <td>1\"/&gt;  <tr> <td>U-49</td> <td>"</td> <td>"</td> <td>V-675</td> <td>122</td> <td>1/2</td> <td>2900</td> <td>1\"/&gt;  <tr> <td>U-50</td> <td>"</td> <td>"</td> <td>V-675</td> <td>122</td> <td>1/2</td> <td>2900</td> <td>1\"/&gt;  </td></tr></td></tr></td></tr></td></tr></td></tr></td></tr></td></tr></td></tr></td></tr></td></tr></td></tr></td></tr></td></tr></td></tr>   
  | U-37 | " | " | V-675  | 122  | 1/2 | 2900 | 1\"/> <tr> <td>U-38</td> <td>"</td> <td>"</td> <td>V-675</td> <td>122</td> <td>1/2</td> <td>2900</td> <td>1\"/&gt;  <tr> <td>U-39</td> <td>"</td> <td>"</td> <td>V-675</td> <td>122</td> <td>1/2</td> <td>2900</td> <td>1\"/&gt;  <tr> <td>U-40</td> <td>"</td> <td>"</td> <td>V-675</td> <td>122</td> <td>1/2</td> <td>2900</td> <td>1\"/&gt;  <tr> <td>U-41</td> <td>"</td> <td>"</td> <td>V-675</td> <td>122</td> <td>1/2</td> <td>2900</td> <td>1\"/&gt;  <tr> <td>U-42</td> <td>"</td> <td>"</td> <td>V-675</td> <td>122</td> <td>1/2</td> <td>2900</td> <td>1\"/&gt;  <tr> <td>U-43</td> <td>"</td> <td>"</td> <td>V-675</td> <td>122</td> <td>1/2</td> <td>2900</td> <td>1\"/&gt;  <tr> <td>U-44</td> <td>"</td> <td>"</td> <td>V-675</td> <td>122</td> <td>1/2</td> <td>2900</td> <td>1\"/&gt;  <tr> <td>U-45</td> <td>"</td> <td>"</td> <td>V-675</td> <td>122</td> <td>1/2</td> <td>2900</td> <td>1\"/&gt;  <tr> <td>U-46</td> <td>"</td> <td>"</td> <td>V-675</td> <td>122</td> <td>1/2</td> <td>2900</td> <td>1\"/&gt;  <tr> <td>U-47</td> <td>"</td> <td>"</td> <td>V-675</td> <td>122</td> <td>1/2</td> <td>2900</td> <td>1\"/&gt;  <tr> <td>U-48</td> <td>"</td> <td>"</td> <td>V-675</td> <td>122</td> <td>1/2</td> <td>2900</td> <td>1\"/&gt;  <tr> <td>U-49</td> <td>"</td> <td>"</td> <td>V-675</td> <td>122</td> <td>1/2</td> <td>2900</td> <td>1\"/&gt;  <tr> <td>U-50</td> <td>"</td> <td>"</td> <td>V-675</td> <td>122</td> <td>1/2</td> <td>2900</td> <td>1\"/&gt;  </td></tr></td></tr></td></tr></td></tr></td></tr></td></tr></td></tr></td></tr></td></tr></td></tr></td></tr></td></tr></td></tr>   | U-38 | " | " | V-675  | 122 | 1/2 | 2900 | 1\"/> <tr> <td>U-39</td> <td>"</td> <td>"</td> <td>V-675</td> <td>122</td> <td>1/2</td> <td>2900</td> <td>1\"/&gt;  <tr> <td>U-40</td> <td>"</td> <td>"</td> <td>V-675</td> <td>122</td> <td>1/2</td> <td>2900</td> <td>1\"/&gt;  <tr> <td>U-41</td> <td>"</td> <td>"</td> <td>V-675</td> <td>122</td> <td>1/2</td> <td>2900</td> <td>1\"/&gt;  <tr> <td>U-42</td> <td>"</td> <td>"</td> <td>V-675</td> <td>122</td> <td>1/2</td> <td>2900</td> <td>1\"/&gt;  <tr> <td>U-43</td> <td>"</td> <td>"</td> <td>V-675</td> <td>122</td> <td>1/2</td> <td>2900</td> <td>1\"/&gt;  <tr> <td>U-44</td> <td>"</td> <td>"</td> <td>V-675</td> <td>122</td> <td>1/2</td> <td>2900</td> <td>1\"/&gt;  <tr> <td>U-45</td> <td>"</td> <td>"</td> <td>V-675</td> <td>122</td> <td>1/2</td> <td>2900</td> <td>1\"/&gt;  <tr> <td>U-46</td> <td>"</td> <td>"</td> <td>V-675</td> <td>122</td> <td>1/2</td> <td>2900</td> <td>1\"/&gt;  <tr> <td>U-47</td> <td>"</td> <td>"</td> <td>V-675</td> <td>122</td> <td>1/2</td> <td>2900</td> <td>1\"/&gt;  <tr> <td>U-48</td> <td>"</td> <td>"</td> <td>V-675</td> <td>122</td> <td>1/2</td> <td>2900</td> <td>1\"/&gt;  <tr> <td>U-49</td> <td>"</td> <td>"</td> <td>V-675</td> <td>122</td> <td>1/2</td> <td>2900</td> <td>1\"/&gt;  <tr> <td>U-50</td> <td>"</td> <td>"</td> <td>V-675</td> <td>122</td> <td>1/2</td> <td>2900</td> <td>1\"/&gt;  </td></tr></td></tr></td></tr></td></tr></td></tr></td></tr></td></tr></td></tr></td></tr></td></tr></td></tr></td></tr>   
   | U-39 | " | " | V-675 | 122 | 1/2 | 2900 | 1\"/> <tr> <td>U-40</td> <td>"</td> <td>"</td> <td>V-675</td> <td>122</td> <td>1/2</td> <td>2900</td> <td>1\"/&gt;  <tr> <td>U-41</td> <td>"</td> <td>"</td> <td>V-675</td> <td>122</td> <td>1/2</td> <td>2900</td> <td>1\"/&gt;  <tr> <td>U-42</td> <td>"</td> <td>"</td> <td>V-675</td> <td>122</td> <td>1/2</td> <td>2900</td> <td>1\"/&gt;  <tr> <td>U-43</td> <td>"</td> <td>"</td> <td>V-675</td> <td>122</td> <td>1/2</td> <td>2900</td> <td>1\"/&gt;  <tr> <td>U-44</td> <td>"</td> <td>"</td> <td>V-675</td> <td>122</td> <td>1/2</td> <td>2900</td> <td>1\"/&gt;  <tr> <td>U-45</td> <td>"</td> <td>"</td> <td>V-675</td> <td>122</td> <td>1/2</td> <td>2900</td> <td>1\"/&gt;  <tr> <td>U-46</td> <td>"</td> <td>"</td> <td>V-675</td> <td>122</td> <td>1/2</td> <td>2900</td> <td>1\"/&gt;  <tr> <td>U-47</td> <td>"</td> <td>"</td> <td>V-675</td> <td>122</td> <td>1/2</td> <td>2900</td> <td>1\"/&gt;  <tr> <td>U-48</td> <td>"</td> <td>"</td> <td>V-675</td> <td>122</td> <td>1/2</td> <td>2900</td> <td>1\"/&gt;  <tr> <td>U-49</td> <td>"</td> <td>"</td> <td>V-675</td> <td>122</td> <td>1/2</td> <td>2900</td> <td>1\"/&gt;  <tr> <td>U-50</td> <td>"</td> <td>"</td> <td>V-675</td> <td>122</td> <td>1/2</td> <td>2900</td> <td>1\"/&gt;  </td></tr></td></tr></td></tr></td></tr></td></tr></td></tr></td></tr></td></tr></td></tr></td></tr></td></tr>  | U-40 | " | " | V-675 | 122 | 1/2 | 2900 | 1\"/> <tr> <td>U-41</td> <td>"</td> <td>"</td> <td>V-675</td> <td>122</td> <td>1/2</td> <td>2900</td> <td>1\"/&gt;  <tr> <td>U-42</td> <td>"</td> <td>"</td> <td>V-675</td> <td>122</td> <td>1/2</td> <td>2900</td> <td>1\"/&gt;  <tr> <td>U-43</td> <td>"</td> <td>"</td> <td>V-675</td> <td>122</td> <td>1/2</td> <td>2900</td> <td>1\"/&gt;  <tr> <td>U-44</td> <td>"</td> <td>"</td> <td>V-675</td> <td>122</td> <td>1/2</td> <td>2900</td> <td>1\"/&gt;  <tr> <td>U-45</td> <td>"</td> <td>"</td> <td>V-675</td> <td>122</td> <td>1/2</td> <td>2900</td> <td>1\"/&gt;  <tr> <td>U-46</td> <td>"</td> <td>"</td> <td>V-675</td> <td>122</td> <td>1/2</td> <td>2900</td> <td>1\"/&gt;  <tr> <td>U-47</td> <td>"</td> <td>"</td> <td>V-675</td> <td>122</td> <td>1/2</td> <td>2900</td> <td>1\"/&gt;  <tr> <td>U-48</td> <td>"</td> <td>"</td> <td>V-675</td> <td>122</td> <td>1/2</td> <td>2900</td> <td>1\"/&gt;  <tr> <td>U-49</td> <td>"</td> <td>"</td> <td>V-675</td> <td>122</td> <td>1/2</td> <td>2900</td> <td>1\"/&gt;  <tr> <td>U-50</td> <td>"</td> <td>"</td> <td>V-675</td> <td>122</td> <td>1/2</td> <td>2900</td> <td>1\"/&gt;  </td></tr></td></tr></td></tr></td></tr></td></tr></td></tr></td></tr></td></tr></td></tr></td></tr>  
  | U-41 | " | " | V-675 | 122 | 1/2 | 2900 | 1\"/> <tr> <td>U-42</td> <td>"</td> <td>"</td> <td>V-675</td> <td>122</td> <td>1/2</td> <td>2900</td> <td>1\"/&gt;  <tr> <td>U-43</td> <td>"</td> <td>"</td> <td>V-675</td> <td>122</td> <td>1/2</td> <td>2900</td> <td>1\"/&gt;  <tr> <td>U-44</td> <td>"</td> <td>"</td> <td>V-675</td> <td>122</td> <td>1/2</td> <td>2900</td> <td>1\"/&gt;  <tr> <td>U-45</td> <td>"</td> <td>"</td> <td>V-675</td> <td>122</td> <td>1/2</td> <td>2900</td> <td>1\"/&gt;  <tr> <td>U-46</td> <td>"</td> <td>"</td> <td>V-675</td> <td>122</td> <td>1/2</td> <td>2900</td> <td>1\"/&gt;  <tr> <td>U-47</td> <td>"</td> <td>"</td> <td>V-675</td> <td>122</td> <td>1/2</td> <td>2900</td> <td>1\"/&gt;  <tr> <td>U-48</td> <td>"</td> <td>"</td> <td>V-675</td> <td>122</td> <td>1/2</td> <td>2900</td> <td>1\"/&gt;  <tr> <td>U-49</td> <td>"</td> <td>"</td> <td>V-675</td> <td>122</td> <td>1/2</td> <td>2900</td> <td>1\"/&gt;  <tr> <td>U-50</td> <td>"</td> <td>"</td> <td>V-675</td> <td>122</td> <td>1/2</td> <td>2900</td> <td>1\"/&gt;  </td></tr></td></tr></td></tr></td></tr></td></tr></td></tr></td></tr></td></tr></td></tr>  | U-42 | " | " | V-675 | 122 | 1/2 | 2900 | 1\"/> <tr> <td>U-43</td> <td>"</td> <td>"</td> <td>V-675</td> <td>122</td> <td>1/2</td> <td>2900</td> <td>1\"/&gt;  <tr> <td>U-44</td> <td>"</td> <td>"</td> <td>V-675</td> <td>122</td> <td>1/2</td> <td>2900</td> <td>1\"/&gt;  <tr> <td>U-45</td> <td>"</td> <td>"</td> <td>V-675</td> <td>122</td> <td>1/2</td> <td>2900</td> <td>1\"/&gt;  <tr> <td>U-46</td> <td>"</td> <td>"</td> <td>V-675</td> <td>122</td> <td>1/2</td> <td>2900</td> <td>1\"/&gt;  <tr> <td>U-47</td> <td>"</td> <td>"</td> <td>V-675</td> <td>122</td> <td>1/2</td> <td>2900</td> <td>1\"/&gt;  <tr> <td>U-48</td> <td>"</td> <td>"</td> <td>V-675</td> <td>122</td> <td>1/2</td> <td>2900</td> <td>1\"/&gt;  <tr> <td>U-49</td> <td>"</td> <td>"</td> <td>V-675</td> <td>122</td> <td>1/2</td> <td>2900</td> <td>1\"/&gt;  <tr> <td>U-50</td> <td>"</td> <td>"</td> <td>V-675</td> <td>122</td> <td>1/2</td> <td>2900</td> <td>1\"/&gt;  </td></tr></td></tr></td></tr></td></tr></td></tr></td></tr></td></tr></td></tr>   
   | U-43 | " | " | V-675 | 122 | 1/2 | 2900 | 1\"/> <tr> <td>U-44</td> <td>"</td> <td>"</td> <td>V-675</td> <td>122</td> <td>1/2</td> <td>2900</td> <td>1\"/&gt;  <tr> <td>U-45</td> <td>"</td> <td>"</td> <td>V-675</td> <td>122</td> <td>1/2</td> <td>2900</td> <td>1\"/&gt;  <tr> <td>U-46</td> <td>"</td> <td>"</td> <td>V-675</td> <td>122</td> <td>1/2</td> <td>2900</td> <td>1\"/&gt;  <tr> <td>U-47</td> <td>"</td> <td>"</td> <td>V-675</td> <td>122</td> <td>1/2</td> <td>2900</td> <td>1\"/&gt;  <tr> <td>U-48</td> <td>"</td> <td>"</td> <td>V-675</td> <td>122</td> <td>1/2</td> <td>2900</td> <td>1\"/&gt;  <tr> <td>U-49</td> <td>"</td> <td>"</td> <td>V-675</td> <td>122</td> <td>1/2</td> <td>2900</td> <td>1\"/&gt;  <tr> <td>U-50</td> <td>"</td> <td>"</td> <td>V-675</td> <td>122</td> <td>1/2</td> <td>2900</td> <td>1\"/&gt;  </td></tr></td></tr></td></tr></td></tr></td></tr></td></tr></td></tr>  | U-44 | " | " | V-675 | 122 | 1/2 | 2900 | 1\"/> <tr> <td>U-45</td> <td>"</td> <td>"</td> <td>V-675</td> <td>122</td> <td>1/2</td> <td>2900</td> <td>1\"/&gt;  <tr> <td>U-46</td> <td>"</td> <td>"</td> <td>V-675</td> <td>122</td> <td>1/2</td> <td>2900</td> <td>1\"/&gt;  <tr> <td>U-47</td> <td>"</td> <td>"</td> <td>V-675</td> <td>122</td> <td>1/2</td> <td>2900</td> <td>1\"/&gt;  <tr> <td>U-48</td> <td>"</td> <td>"</td> <td>V-675</td> <td>122</td> <td>1/2</td> <td>2900</td> <td>1\"/&gt;  <tr> <td>U-49</td> <td>"</td> <td>"</td> <td>V-675</td> <td>122</td> <td>1/2</td> <td>2900</td> <td>1\"/&gt;  <tr> <td>U-50</td> <td>"</td> <td>"</td> <td>V-675</td> <td>122</td> <td>1/2</td> <td>2900</td> <td>1\"/&gt;  </td></tr></td></tr></td></tr></td></tr></td></tr></td></tr>  
  | U-45 | " | " | V-675 | 122 | 1/2 | 2900 | 1\"/> <tr> <td>U-46</td> <td>"</td> <td>"</td> <td>V-675</td> <td>122</td> <td>1/2</td> <td>2900</td> <td>1\"/&gt;  <tr> <td>U-47</td> <td>"</td> <td>"</td> <td>V-675</td> <td>122</td> <td>1/2</td> <td>2900</td> <td>1\"/&gt;  <tr> <td>U-48</td> <td>"</td> <td>"</td> <td>V-675</td> <td>122</td> <td>1/2</td> <td>2900</td> <td>1\"/&gt;  <tr> <td>U-49</td> <td>"</td> <td>"</td> <td>V-675</td> <td>122</td> <td>1/2</td> <td>2900</td> <td>1\"/&gt;  <tr> <td>U-50</td> <td>"</td> <td>"</td> <td>V-675</td> <td>122</td> <td>1/2</td> <td>2900</td> <td>1\"/&gt;  </td></tr></td></tr></td></tr></td></tr></td></tr>   | U-46 | " | " | V-675 | 122 | 1/2 | 2900 | 1\"/> <tr> <td>U-47</td> <td>"</td> <td>"</td> <td>V-675</td> <td>122</td> <td>1/2</td> <td>2900</td> <td>1\"/&gt;  <tr> <td>U-48</td> <td>"</td> <td>"</td> <td>V-675</td> <td>122</td> <td>1/2</td> <td>2900</td> <td>1\"/&gt;  <tr> <td>U-49</td> <td>"</td> <td>"</td> <td>V-675</td> <td>122</td> <td>1/2</td> <td>2900</td> <td>1\"/&gt;  <tr> <td>U-50</td> <td>"</td> <td>"</td> <td>V-675</td> <td>122</td> <td>1/2</td> <td>2900</td> <td>1\"/&gt;  </td></tr></td></tr></td></tr></td></tr>  
  | U-47 | " | " | V-675 | 122 | 1/2 | 2900 | 1\"/> <tr> <td>U-48</td> <td>"</td> <td>"</td> <td>V-675</td> <td>122</td> <td>1/2</td> <td>2900</td> <td>1\"/&gt;  <tr> <td>U-49</td> <td>"</td> <td>"</td> <td>V-675</td> <td>122</td> <td>1/2</td> <td>2900</td> <td>1\"/&gt;  <tr> <td>U-50</td> <td>"</td> <td>"</td> <td>V-675</td> <td>122</td> <td>1/2</td> <td>2900</td> <td>1\"/&gt;  </td></tr></td></tr></td></tr>   | U-48 | " | " | V-675 | 122 | 1/2 | 2900 | 1\"/> <tr> <td>U-49</td> <td>"</td> <td>"</td> <td>V-675</td> <td>122</td> <td>1/2</td> <td>2900</td> <td>1\"/&gt;  <tr> <td>U-50</td> <td>"</td> <td>"</td> <td>V-675</td> <td>122</td> <td>1/2</td> <td>2900</td> <td>1\"/&gt;  </td></tr></td></tr>  
  | U-49 | " | " | V-675 | 122 | 1/2 | 2900 | 1\"/> <tr> <td>U-50</td> <td>"</td> <td>"</td> <td>V-675</td> <td>122</td> <td>1/2</td> <td>2900</td> <td>1\"/&gt;  </td></tr>   | U-50 | " | " | V-675 | 122 | 1/2 | 2900 | 1\"/>   
  |      |   |   |       |     |     |      |  |      |   |   |       |     |     |      |  |      |   |   |       |     |     |      | | | | | | | | | | | | | | | | | | | | | | | | | | | | | | | | | | | | | | | | | |
   |      |   |   |       |     |     |      |  |      |   |   |       |     |     |      |  
   |      |   |   |       |     |     |      |  |      |   |   |       |     |     |      |  |      |   |   |       |     |     |      |   
  |      |   |   |       |     |     |      |  |      |   |   |       |     |     |      |  |      |   |   |       |     |     |      |  |      |   |   |       |     |     |      |   
  |      |   |   |       |     |     |      |  |      |   |   |       |     |     |      |  |      |   |   |       |     |     |      |  
   |      |   |   |       |     |     |      |  |      |   |   |       |     |     |      |  |      |   |   |       |     |     |      |  |      |   |   |       |     |     |      |  |      |   |   |       |     |     |      |   
  |      |   |   |       |     |     |      |  |      |   |   |       |     |     |      |  |      |   |   |       |     |     |      |  |      |   |   |       |     |     |      |  |      |   |   |       |     |     |      |  |      |   |   |       |     |     |      |  |      |   |   |       |     |     |      |  
   |      |   |   |       |     |     |      |  |      |   |   |       |     |     |      |  |      |   |   |       |     |     |      |  |      |   |   |       |     |     |      |  |      |   |   |       |     |     |      |  |      |   |   |       |     |     |      |  |      |   |   |       |     |     |      |  |      |   |   |       |     |     |      |       |
| U-31 | "             | "                       | V-675    | 122  | 1/2           | 2900    | 1\"/> <tr> <td>U-32</td> <td>"</td> <td>"</td> <td>V-675</td> <td>122</td> <td>1/2</td> <td>2900</td> <td>1\"/&gt;  <tr> <td>U-33</td> <td>"</td> <td>"</td> <td>V-675</td> <td>122</td> <td>1/2</td> <td>2900</td> <td>1\"/&gt;  <tr> <td>U-34</td> <td>"</td> <td>"</td> <td>V-675</td> <td>122</td> <td>1/2</td> <td>2900</td> <td>1\"/&gt;  <tr> <td>U-35</td> <td>"</td> <td>"</td> <td>V-675</td> <td>122</td> <td>1/2</td> <td>2900</td> <td>1\"/&gt;  <tr> <td>U-36</td> <td>"</td> <td>"</td> <td>V-675</td> <td>122</td> <td>1/2</td> <td>2900</td> <td>1\"/&gt;  <tr> <td>U-37</td> <td>"</td> <td>"</td> <td>V-675</td> <td>122</td> <td>1/2</td> <td>2900</td> <td>1\"/&gt;  <tr> <td>U-38</td> <td>"</td> <td>"</td> <td>V-675</td> <td>122</td> <td>1/2</td> <td>2900</td> <td>1\"/&gt;  <tr> <td>U-39</td> <td>"</td> <td>"</td> <td>V-675</td> <td>122</td> <td>1/2</td> <td>2900</td> <td>1\"/&gt;  <tr> <td>U-40</td> <td>"</td> <td>"</td> <td>V-675</td> <td>122</td> <td>1/2</td> <td>2900</td> <td>1\"/&gt;  <tr> <td>U-41</td> <td>"</td> <td>"</td> <td>V-675</td> <td>122</td> <td>1/2</td> <td>2900</td> <td>1\"/&gt;  <tr> <td>U-42</td> <td>"</td> <td>"</td> <td>V-675</td> <td>122</td> <td>1/2</td> <td>2900</td> <td>1\"/&gt;  <tr> <td>U-43</td> <td>"</td> <td>"</td> <td>V-675</td> <td>122</td> <td>1/2</td> <td>2900</td> <td>1\"/&gt;  <tr> <td>U-44</td> <td>"</td> <td>"</td> <td>V-675</td> <td>122</td> <td>1/2</td> <td>2900</td> <td>1\"/&gt;  <tr> <td>U-45</td> <td>"</td> <td>"</td> <td>V-675</td> <td>122</td> <td>1/2</td> <td>2900</td> <td>1\"/&gt;  <tr> <td>U-46</td> <td>"</td> <td>"</td> <td>V-675</td> <td>122</td> <td>1/2</td> <td>2900</td> <td>1\"/&gt;  <tr> <td>U-47</td> <td>"</td> <td>"</td> <td>V-675</td> <td>122</td> <td>1/2</td> <td>2900</td> <td>1\"/&gt;  <tr> <td>U-48</td> <td>"</td> <td>"</td> <td>V-675</td> <td>122</td> <td>1/2</td> <td>2900</td> <td>1\"/&gt;  <tr> <td>U-49</td> <td>"</td> <td>"</td> <td>V-675</td> <td>122</td> <td>1/2</td> <td>2900</td> <td>1\"/&gt;  <tr> <td>U-50</td> <td>"</td> <td>"</td> <td>V-675</td> <td>122</td> <td>1/2</td> <td>2900</td> <td>1\"/&gt;  </td></tr></td></tr></td></tr></td></tr></td></tr></td></tr></td></tr></td></tr></td></tr></td></tr></td></tr></td></tr></td></tr></td></tr></td></tr></td></tr></td></tr></td></tr></td></tr>  | U-32 | " | " | V-675  | 122  | 1/2 | 2900   | 1\"/> <tr> <td>U-33</td> <td>"</td> <td>"</td> <td>V-675</td> <td>122</td> <td>1/2</td> <td>2900</td> <td>1\"/&gt;  <tr> <td>U-34</td> <td>"</td> <td>"</td> <td>V-675</td> <td>122</td> <td>1/2</td> <td>2900</td> <td>1\"/&gt;  <tr> <td>U-35</td> <td>"</td> <td>"</td> <td>V-675</td> <td>122</td> <td>1/2</td> <td>2900</td> <td>1\"/&gt;  <tr> <td>U-36</td> <td>"</td> <td>"</td> <td>V-675</td> <td>122</td> <td>1/2</td> <td>2900</td> <td>1\"/&gt;  <tr> <td>U-37</td> <td>"</td> <td>"</td> <td>V-675</td> <td>122</td> <td>1/2</td> <td>2900</td> <td>1\"/&gt;  <tr> <td>U-38</td> <td>"</td> <td>"</td> <td>V-675</td> <td>122</td> <td>1/2</td> <td>2900</td> <td>1\"/&gt;  <tr> <td>U-39</td> <td>"</td> <td>"</td> <td>V-675</td> <td>122</td> <td>1/2</td> <td>2900</td> <td>1\"/&gt;  <tr> <td>U-40</td> <td>"</td> <td>"</td> <td>V-675</td> <td>122</td> <td>1/2</td> <td>2900</td> <td>1\"/&gt;  <tr> <td>U-41</td> <td>"</td> <td>"</td> <td>V-675</td> <td>122</td> <td>1/2</td> <td>2900</td> <td>1\"/&gt;  <tr> <td>U-42</td> <td>"</td> <td>"</td> <td>V-675</td> <td>122</td> <td>1/2</td> <td>2900</td> <td>1\"/&gt;  <tr> <td>U-43</td> <td>"</td> <td>"</td> <td>V-675</td> <td>122</td> <td>1/2</td> <td>2900</td> <td>1\"/&gt;  <tr> <td>U-44</td> <td>"</td> <td>"</td> <td>V-675</td> <td>122</td> <td>1/2</td> <td>2900</td> <td>1\"/&gt;  <tr> <td>U-45</td> <td>"</td> <td>"</td> <td>V-675</td> <td>122</td> <td>1/2</td> <td>2900</td> <td>1\"/&gt;  <tr> <td>U-46</td> <td>"</td> <td>"</td> <td>V-675</td> <td>122</td> <td>1/2</td> <td>2900</td> <td>1\"/&gt;  <tr> <td>U-47</td> <td>"</td> <td>"</td> <td>V-675</td> <td>122</td> <td>1/2</td> <td>2900</td> <td>1\"/&gt;  <tr> <td>U-48</td> <td>"</td> <td>"</td> <td>V-675</td> <td>122</td> <td>1/2</td> <td>2900</td> <td>1\"/&gt;  <tr> <td>U-49</td> <td>"</td> <td>"</td> <td>V-675</td> <td>122</td> <td>1/2</td> <td>2900</td> <td>1\"/&gt;  <tr> <td>U-50</td> <td>"</td> <td>"</td> <td>V-675</td> <td>122</td> <td>1/2</td> <td>2900</td> <td>1\"/&gt;  </td></tr></td></tr></td></tr></td></tr></td></tr></td></tr></td></tr></td></tr></td></tr></td></tr></td></tr></td></tr></td></tr></td></tr></td></tr></td></tr></td></tr></td></tr>  
  | U-33 | " | " | V-675  | 122 | 1/2 | 2900   | 1\"/> <tr> <td>U-34</td> <td>"</td> <td>"</td> <td>V-675</td> <td>122</td> <td>1/2</td> <td>2900</td> <td>1\"/&gt;  <tr> <td>U-35</td> <td>"</td> <td>"</td> <td>V-675</td> <td>122</td> <td>1/2</td> <td>2900</td> <td>1\"/&gt;  <tr> <td>U-36</td> <td>"</td> <td>"</td> <td>V-675</td> <td>122</td> <td>1/2</td> <td>2900</td> <td>1\"/&gt;  <tr> <td>U-37</td> <td>"</td> <td>"</td> <td>V-675</td> <td>122</td> <td>1/2</td> <td>2900</td> <td>1\"/&gt;  <tr> <td>U-38</td> <td>"</td> <td>"</td> <td>V-675</td> <td>122</td> <td>1/2</td> <td>2900</td> <td>1\"/&gt;  <tr> <td>U-39</td> <td>"</td> <td>"</td> <td>V-675</td> <td>122</td> <td>1/2</td> <td>2900</td> <td>1\"/&gt;  <tr> <td>U-40</td> <td>"</td> <td>"</td> <td>V-675</td> <td>122</td> <td>1/2</td> <td>2900</td> <td>1\"/&gt;  <tr> <td>U-41</td> <td>"</td> <td>"</td> <td>V-675</td> <td>122</td> <td>1/2</td> <td>2900</td> <td>1\"/&gt;  <tr> <td>U-42</td> <td>"</td> <td>"</td> <td>V-675</td> <td>122</td> <td>1/2</td> <td>2900</td> <td>1\"/&gt;  <tr> <td>U-43</td> <td>"</td> <td>"</td> <td>V-675</td> <td>122</td> <td>1/2</td> <td>2900</td> <td>1\"/&gt;  <tr> <td>U-44</td> <td>"</td> <td>"</td> <td>V-675</td> <td>122</td> <td>1/2</td> <td>2900</td> <td>1\"/&gt;  <tr> <td>U-45</td> <td>"</td> <td>"</td> <td>V-675</td> <td>122</td> <td>1/2</td> <td>2900</td> <td>1\"/&gt;  <tr> <td>U-46</td> <td>"</td> <td>"</td> <td>V-675</td> <td>122</td> <td>1/2</td> <td>2900</td> <td>1\"/&gt;  <tr> <td>U-47</td> <td>"</td> <td>"</td> <td>V-675</td> <td>122</td> <td>1/2</td> <td>2900</td> <td>1\"/&gt;  <tr> <td>U-48</td> <td>"</td> <td>"</td> <td>V-675</td> <td>122</td> <td>1/2</td> <td>2900</td> <td>1\"/&gt;  <tr> <td>U-49</td> <td>"</td> <td>"</td> <td>V-675</td> <td>122</td> <td>1/2</td> <td>2900</td> <td>1\"/&gt;  <tr> <td>U-50</td> <td>"</td> <td>"</td> <td>V-675</td> <td>122</td> <td>1/2</td> <td>2900</td> <td>1\"/&gt;  </td></tr></td></tr></td></tr></td></tr></td></tr></td></tr></td></tr></td></tr></td></tr></td></tr></td></tr></td></tr></td></tr></td></tr></td></tr></td></tr></td></tr>   | U-34 | " | " | V-675 | 122 | 1/2 | 2900    | 1\"/> <tr> <td>U-35</td> <td>"</td> <td>"</td> <td>V-675</td> <td>122</td> <td>1/2</td> <td>2900</td> <td>1\"/&gt;  <tr> <td>U-36</td> <td>"</td> <td>"</td> <td>V-675</td> <td>122</td> <td>1/2</td> <td>2900</td> <td>1\"/&gt;  <tr> <td>U-37</td> <td>"</td> <td>"</td> <td>V-675</td> <td>122</td> <td>1/2</td> <td>2900</td> <td>1\"/&gt;  <tr> <td>U-38</td> <td>"</td> <td>"</td> <td>V-675</td> <td>122</td> <td>1/2</td> <td>2900</td> <td>1\"/&gt;  <tr> <td>U-39</td> <td>"</td> <td>"</td> <td>V-675</td> <td>122</td> <td>1/2</td> <td>2900</td> <td>1\"/&gt;  <tr> <td>U-40</td> <td>"</td> <td>"</td> <td>V-675</td> <td>122</td> <td>1/2</td> <td>2900</td> <td>1\"/&gt;  <tr> <td>U-41</td> <td>"</td> <td>"</td> <td>V-675</td> <td>122</td> <td>1/2</td> <td>2900</td> <td>1\"/&gt;  <tr> <td>U-42</td> <td>"</td> <td>"</td> <td>V-675</td> <td>122</td> <td>1/2</td> <td>2900</td> <td>1\"/&gt;  <tr> <td>U-43</td> <td>"</td> <td>"</td> <td>V-675</td> <td>122</td> <td>1/2</td> <td>2900</td> <td>1\"/&gt;  <tr> <td>U-44</td> <td>"</td> <td>"</td> <td>V-675</td> <td>122</td> <td>1/2</td> <td>2900</td> <td>1\"/&gt;  <tr> <td>U-45</td> <td>"</td> <td>"</td> <td>V-675</td> <td>122</td> <td>1/2</td> <td>2900</td> <td>1\"/&gt;  <tr> <td>U-46</td> <td>"</td> <td>"</td> <td>V-675</td> <td>122</td> <td>1/2</td> <td>2900</td> <td>1\"/&gt;  <tr> <td>U-47</td> <td>"</td> <td>"</td> <td>V-675</td> <td>122</td> <td>1/2</td> <td>2900</td> <td>1\"/&gt;  <tr> <td>U-48</td> <td>"</td> <td>"</td> <td>V-675</td> <td>122</td> <td>1/2</td> <td>2900</td> <td>1\"/&gt;  <tr> <td>U-49</td> <td>"</td> <td>"</td> <td>V-675</td> <td>122</td> <td>1/2</td> <td>2900</td> <td>1\"/&gt;  <tr> <td>U-50</td> <td>"</td> <td>"</td> <td>V-675</td> <td>122</td> <td>1/2</td> <td>2900</td> <td>1\"/&gt; 
</td></tr></td></tr></td></tr></td></tr></td></tr></td></tr></td></tr></td></tr></td></tr></td></tr></td></tr></td></tr></td></tr></td></tr></td></tr></td></tr>  | U-35 | " | " | V-675 | 122 | 1/2 | 2900   | 1\"/> <tr> <td>U-36</td> <td>"</td> <td>"</td> <td>V-675</td> <td>122</td> <td>1/2</td> <td>2900</td> <td>1\"/&gt;  <tr> <td>U-37</td> <td>"</td> <td>"</td> <td>V-675</td> <td>122</td> <td>1/2</td> <td>2900</td> <td>1\"/&gt;  <tr> <td>U-38</td> <td>"</td> <td>"</td> <td>V-675</td> <td>122</td> <td>1/2</td> <td>2900</td> <td>1\"/&gt;  <tr> <td>U-39</td> <td>"</td> <td>"</td> <td>V-675</td> <td>122</td> <td>1/2</td> <td>2900</td> <td>1\"/&gt;  <tr> <td>U-40</td> <td>"</td> <td>"</td> <td>V-675</td> <td>122</td> <td>1/2</td> <td>2900</td> <td>1\"/&gt;  <tr> <td>U-41</td> <td>"</td> <td>"</td> <td>V-675</td> <td>122</td> <td>1/2</td> <td>2900</td> <td>1\"/&gt;  <tr> <td>U-42</td> <td>"</td> <td>"</td> <td>V-675</td> <td>122</td> <td>1/2</td> <td>2900</td> <td>1\"/&gt;  <tr> <td>U-43</td> <td>"</td> <td>"</td> <td>V-675</td> <td>122</td> <td>1/2</td> <td>2900</td> <td>1\"/&gt;  <tr> <td>U-44</td> <td>"</td> <td>"</td> <td>V-675</td> <td>122</td> <td>1/2</td> <td>2900</td> <td>1\"/&gt;  <tr> <td>U-45</td> <td>"</td> <td>"</td> <td>V-675</td> <td>122</td> <td>1/2</td> <td>2900</td> <td>1\"/&gt;  <tr> <td>U-46</td> <td>"</td> <td>"</td> <td>V-675</td> <td>122</td> <td>1/2</td> <td>2900</td> <td>1\"/&gt;  <tr> <td>U-47</td> <td>"</td> <td>"</td> <td>V-675</td> <td>122</td> <td>1/2</td> <td>2900</td> <td>1\"/&gt;  <tr> <td>U-48</td> <td>"</td> <td>"</td> <td>V-675</td> <td>122</td> <td>1/2</td> <td>2900</td> <td>1\"/&gt;  <tr> <td>U-49</td> <td>"</td> <td>"</td> <td>V-675</td> <td>122</td> <td>1/2</td> <td>2900</td> <td>1\"/&gt;  <tr> <td>U-50</td> <td>"</td> <td>"</td> <td>V-675</td> <td>122</td> <td>1/2</td> <td>2900</td> <td>1\"/&gt;  </td></tr></td></tr></td></tr></td></tr></td></tr></td></tr></td></tr></td></tr></td></tr></td></tr></td></tr></td></tr></td></tr></td></tr></td></tr>   | U-36 | " | " | V-675 | 122 | 1/2 | 2900    | 1\"/> <tr> <td>U-37</td> <td>"</td> <td>"</td> <td>V-675</td> <td>122</td> <td>1/2</td> <td>2900</td> <td>1\"/&gt;  <tr> <td>U-38</td> <td>"</td> <td>"</td> <td>V-675</td> <td>122</td> <td>1/2</td> <td>2900</td> <td>1\"/&gt;  <tr> <td>U-39</td> <td>"</td> <td>"</td> <td>V-675</td> <td>122</td> <td>1/2</td> <td>2900</td> <td>1\"/&gt;  <tr> <td>U-40</td> <td>"</td> <td>"</td> <td>V-675</td> <td>122</td> <td>1/2</td> <td>2900</td> <td>1\"/&gt;  <tr> <td>U-41</td> <td>"</td> <td>"</td> <td>V-675</td> <td>122</td> <td>1/2</td> <td>2900</td> <td>1\"/&gt;  <tr> <td>U-42</td> <td>"</td> <td>"</td> <td>V-675</td> <td>122</td> <td>1/2</td> <td>2900</td> <td>1\"/&gt;  <tr> <td>U-43</td> <td>"</td> <td>"</td> <td>V-675</td> <td>122</td> <td>1/2</td>
<td>2900</td> <td>1\"/&gt;  <tr> <td>U-44</td> <td>"</td> <td>"</td> <td>V-675</td> <td>122</td> <td>1/2</td> <td>2900</td> <td>1\"/&gt;  <tr> <td>U-45</td> <td>"</td> <td>"</td> <td>V-675</td> <td>122</td> <td>1/2</td> <td>2900</td> <td>1\"/&gt;  <tr> <td>U-46</td> <td>"</td> <td>"</td> <td>V-675</td> <td>122</td> <td>1/2</td> <td>2900</td> <td>1\"/&gt;  <tr> <td>U-47</td> <td>"</td> <td>"</td> <td>V-675</td> <td>122</td> <td>1/2</td> <td>2900</td> <td>1\"/&gt;  <tr> <td>U-48</td> <td>"</td> <td>"</td> <td>V-675</td> <td>122</td> <td>1/2</td> <td>2900</td> <td>1\"/&gt;  <tr> <td>U-49</td> <td>"</td> <td>"</td> <td>V-675</td> <td>122</td> <td>1/2</td> <td>2900</td> <td>1\"/&gt;  <tr> <td>U-50</td> <td>"</td> <td>"</td> <td>V-675</td> <td>122</td> <td>1/2</td> <td>2900</td> <td>1\"/&gt;  </td></tr></td></tr></td></tr></td></tr></td></tr></td></tr></td></tr></td></tr></td></tr></td></tr></td></tr></td></tr></td></tr></td></tr>  | U-37 | "           | "      | V-675  | 122  | 1/2 | 2900 | 1\"/> <tr> <td>U-38</td> <td>"</td> <td>"</td> <td>V-675</td> <td>122</td> <td>1/2</td> <td>2900</td> <td>1\"/&gt;  <tr> <td>U-39</td> <td>"</td> <td>"</td> <td>V-675</td> <td>122</td> <td>1/2</td> <td>2900</td> <td>1\"/&gt;  <tr> <td>U-40</td> <td>"</td> <td>"</td> <td>V-675</td> <td>122</td> <td>1/2</td> <td>2900</td> <td>1\"/&gt;  <tr> <td>U-41</td> <td>"</td> <td>"</td> <td>V-675</td> <td>122</td> <td>1/2</td> <td>2900</td> <td>1\"/&gt;  <tr> <td>U-42</td> <td>"</td> <td>"</td> <td>V-675</td> <td>122</td> <td>1/2</td> <td>2900</td> <td>1\"/&gt;  <tr> <td>U-43</td> <td>"</td> <td>"</td> <td>V-675</td> <td>122</td> <td>1/2</td> <td>2900</td> <td>1\"/&gt;  <tr> <td>U-44</td> <td>"</td> <td>"</td> <td>V-675</td> <td>122</td> <td>1/2</td> <td>2900</td> <td>1\"/&gt;  <tr> <td>U-45</td> <td>"</td> <td>"</td> <td>V-675</td> <td>122</td> <td>1/2</td> <td>2900</td> <td>1\"/&gt;  <tr> <td>U-46</td> <td>"</td> <td>"</td> <td>V-675</td> <td>122</td> <td>1/2</td> <td>2900</td> <td>1\"/&gt;  <tr> <td>U-47</td> <td>"</td> <td>"</td> <td>V-675</td> <td>122</td> <td>1/2</td> <td>2900</td> <td>1\"/&gt;  <tr> <td>U-48</td> <td>"</td> <td>"</td> <td>V-675</td> <td>122</td> <td>1/2</td> <td>2900</td> <td>1\"/&gt;  <tr> <td>U-49</td> <td>"</td> <td>"</td> <td>V-675</td> <td>122</td> <td>1/2</td> <td>2900</td> <td>1\"/&gt;  <tr> <td>U-50</td> <td>"</td> <td>"</td> <td>V-675</td> <td>122</td> <td>1/2</td> <td>2900</td> <td>1\"/&gt;  </td></tr></td></tr></td></tr></td></tr></td></tr></td></tr></td></tr></td></tr></td></tr></td></tr></td></tr></td></tr></td></tr>  
   | U-38 | " | " | V-675  | 122  | 1/2 | 2900 | 1\"/> <tr> <td>U-39</td> <td>"</td> <td>"</td> <td>V-675</td> <td>122</td> <td>1/2</td> <td>2900</td> <td>1\"/&gt;  <tr> <td>U-40</td> <td>"</td> <td>"</td> <td>V-675</td> <td>122</td> <td>1/2</td> <td>2900</td> <td>1\"/&gt;  <tr> <td>U-41</td> <td>"</td> <td>"</td> <td>V-675</td> <td>122</td> <td>1/2</td> <td>2900</td> <td>1\"/&gt;  <tr> <td>U-42</td> <td>"</td> <td>"</td> <td>V-675</td> <td>122</td> <td>1/2</td> <td>2900</td> <td>1\"/&gt;  <tr> <td>U-43</td> <td>"</td> <td>"</td> <td>V-675</td> <td>122</td> <td>1/2</td> <td>2900</td> <td>1\"/&gt;  <tr> <td>U-44</td> <td>"</td> <td>"</td> <td>V-675</td> <td>122</td> <td>1/2</td> <td>2900</td> <td>1\"/&gt;  <tr> <td>U-45</td> <td>"</td> <td>"</td> <td>V-675</td> <td>122</td> <td>1/2</td> <td>2900</td> <td>1\"/&gt;  <tr> <td>U-46</td> <td>"</td> <td>"</td> <td>V-675</td> <td>122</td> <td>1/2</td> <td>2900</td> <td>1\"/&gt;  <tr> <td>U-47</td> <td>"</td> <td>"</td> <td>V-675</td> <td>122</td> <td>1/2</td> <td>2900</td> <td>1\"/&gt;  <tr> <td>U-48</td> <td>"</td> <td>"</td> <td>V-675</td> <td>122</td> <td>1/2</td> <td>2900</td> <td>1\"/&gt;  <tr> <td>U-49</td> <td>"</td> <td>"</td> <td>V-675</td> <td>122</td> <td>1/2</td> <td>2900</td> <td>1\"/&gt;  <tr> <td>U-50</td> <td>"</td> <td>"</td> <td>V-675</td> <td>122</td> <td>1/2</td> <td>2900</td> <td>1\"/&gt;  </td></tr></td></tr></td></tr></td></tr></td></tr></td></tr></td></tr></td></tr></td></tr></td></tr></td></tr></td></tr>   | U-39 | " | " | V-675  | 122 | 1/2 | 2900 | 1\"/> <tr> <td>U-40</td> <td>"</td> <td>"</td> <td>V-675</td> <td>122</td> <td>1/2</td> <td>2900</td> <td>1\"/&gt;  <tr> <td>U-41</td> <td>"</td> <td>"</td> <td>V-675</td> <td>122</td> <td>1/2</td> <td>2900</td> <td>1\"/&gt;  <tr> <td>U-42</td> <td>"</td> <td>"</td> <td>V-675</td> <td>122</td> <td>1/2</td> <td>2900</td> <td>1\"/&gt;  <tr> <td>U-43</td> <td>"</td> <td>"</td> <td>V-675</td> <td>122</td> <td>1/2</td> <td>2900</td> <td>1\"/&gt;  <tr> <td>U-44</td> <td>"</td> <td>"</td> <td>V-675</td> <td>122</td> <td>1/2</td> <td>2900</td> <td>1\"/&gt;  <tr> <td>U-45</td> <td>"</td> <td>"</td> <td>V-675</td> <td>122</td> <td>1/2</td> <td>2900</td> <td>1\"/&gt;  <tr> <td>U-46</td> <td>"</td> <td>"</td> <td>V-675</td> <td>122</td> <td>1/2</td> <td>2900</td> <td>1\"/&gt;  <tr> <td>U-47</td> <td>"</td> <td>"</td> <td>V-675</td> <td>122</td> <td>1/2</td> <td>2900</td> <td>1\"/&gt;  <tr> <td>U-48</td> <td>"</td> <td>"</td> <td>V-675</td> <td>122</td> <td>1/2</td> <td>2900</td> <td>1\"/&gt;  <tr> <td>U-49</td> <td>"</td> <td>"</td> <td>V-675</td> <td>122</td> <td>1/2</td> <td>2900</td> <td>1\"/&gt;  <tr> <td>U-50</td> <td>"</td> <td>"</td> <td>V-675</td> <td>122</td> <td>1/2</td> <td>2900</td> <td>1\"/&gt;  </td></tr></td></tr></td></tr></td></tr></td></tr></td></tr></td></tr></td></tr></td></tr></td></tr></td></tr>  
  | U-40 | " | " | V-675 | 122 | 1/2 | 2900 | 1\"/> <tr> <td>U-41</td> <td>"</td> <td>"</td> <td>V-675</td> <td>122</td> <td>1/2</td> <td>2900</td> <td>1\"/&gt;  <tr> <td>U-42</td> <td>"</td> <td>"</td> <td>V-675</td> <td>122</td> <td>1/2</td> <td>2900</td> <td>1\"/&gt;  <tr> <td>U-43</td> <td>"</td> <td>"</td> <td>V-675</td> <td>122</td> <td>1/2</td> <td>2900</td> <td>1\"/&gt;  <tr> <td>U-44</td> <td>"</td> <td>"</td> <td>V-675</td> <td>122</td> <td>1/2</td> <td>2900</td> <td>1\"/&gt;  <tr> <td>U-45</td> <td>"</td> <td>"</td> <td>V-675</td> <td>122</td> <td>1/2</td> <td>2900</td> <td>1\"/&gt;  <tr> <td>U-46</td> <td>"</td> <td>"</td> <td>V-675</td> <td>122</td> <td>1/2</td> <td>2900</td> <td>1\"/&gt;  <tr> <td>U-47</td> <td>"</td> <td>"</td> <td>V-675</td> <td>122</td> <td>1/2</td> <td>2900</td> <td>1\"/&gt;  <tr> <td>U-48</td> <td>"</td> <td>"</td> <td>V-675</td> <td>122</td> <td>1/2</td> <td>2900</td> <td>1\"/&gt;  <tr> <td>U-49</td> <td>"</td> <td>"</td> <td>V-675</td> <td>122</td> <td>1/2</td> <td>2900</td> <td>1\"/&gt;  <tr> <td>U-50</td> <td>"</td> <td>"</td> <td>V-675</td> <td>122</td> <td>1/2</td> <td>2900</td> <td>1\"/&gt;  </td></tr></td></tr></td></tr></td></tr></td></tr></td></tr></td></tr></td></tr></td></tr></td></tr>  | U-41 | " | " | V-675 | 122 | 1/2 | 2900 | 1\"/> <tr> <td>U-42</td> <td>"</td> <td>"</td> <td>V-675</td> <td>122</td> <td>1/2</td> <td>2900</td> <td>1\"/&gt;  <tr> <td>U-43</td> <td>"</td> <td>"</td> <td>V-675</td> <td>122</td> <td>1/2</td> <td>2900</td> <td>1\"/&gt;  <tr> <td>U-44</td> <td>"</td> <td>"</td> <td>V-675</td> <td>122</td> <td>1/2</td> <td>2900</td> <td>1\"/&gt;  <tr> <td>U-45</td> <td>"</td> <td>"</td> <td>V-675</td> <td>122</td> <td>1/2</td> <td>2900</td> <td>1\"/&gt;  <tr> <td>U-46</td> <td>"</td> <td>"</td> <td>V-675</td> <td>122</td> <td>1/2</td> <td>2900</td> <td>1\"/&gt;  <tr> <td>U-47</td> <td>"</td> <td>"</td> <td>V-675</td> <td>122</td> <td>1/2</td> <td>2900</td> <td>1\"/&gt;  <tr> <td>U-48</td> <td>"</td> <td>"</td> <td>V-675</td> <td>122</td> <td>1/2</td> <td>2900</td> <td>1\"/&gt;  <tr> <td>U-49</td> <td>"</td> <td>"</td> <td>V-675</td> <td>122</td> <td>1/2</td> <td>2900</td> <td>1\"/&gt;  <tr> <td>U-50</td> <td>"</td> <td>"</td> <td>V-675</td> <td>122</td> <td>1/2</td> <td>2900</td> <td>1\"/&gt;  </td></tr></td></tr></td></tr></td></tr></td></tr></td></tr></td></tr></td></tr></td></tr>   
   | U-42 | " | " | V-675 | 122 | 1/2 | 2900 | 1\"/> <tr> <td>U-43</td> <td>"</td> <td>"</td> <td>V-675</td> <td>122</td> <td>1/2</td> <td>2900</td> <td>1\"/&gt;  <tr> <td>U-44</td> <td>"</td> <td>"</td> <td>V-675</td> <td>122</td> <td>1/2</td> <td>2900</td> <td>1\"/&gt;  <tr> <td>U-45</td> <td>"</td> <td>"</td> <td>V-675</td> <td>122</td> <td>1/2</td> <td>2900</td> <td>1\"/&gt;  <tr> <td>U-46</td> <td>"</td> <td>"</td> <td>V-675</td> <td>122</td> <td>1/2</td> <td>2900</td> <td>1\"/&gt;  <tr> <td>U-47</td> <td>"</td> <td>"</td> <td>V-675</td> <td>122</td> <td>1/2</td> <td>2900</td> <td>1\"/&gt;  <tr> <td>U-48</td> <td>"</td> <td>"</td> <td>V-675</td> <td>122</td> <td>1/2</td> <td>2900</td> <td>1\"/&gt;  <tr> <td>U-49</td> <td>"</td> <td>"</td> <td>V-675</td> <td>122</td> <td>1/2</td> <td>2900</td> <td>1\"/&gt;  <tr> <td>U-50</td> <td>"</td> <td>"</td> <td>V-675</td> <td>122</td> <td>1/2</td> <td>2900</td> <td>1\"/&gt;  </td></tr></td></tr></td></tr></td></tr></td></tr></td></tr></td></tr></td></tr>  | U-43 | " | " | V-675 | 122 | 1/2 | 2900 | 1\"/> <tr> <td>U-44</td> <td>"</td> <td>"</td> <td>V-675</td> <td>122</td> <td>1/2</td> <td>2900</td> <td>1\"/&gt;  <tr> <td>U-45</td> <td>"</td> <td>"</td> <td>V-675</td> <td>122</td> <td>1/2</td> <td>2900</td> <td>1\"/&gt;  <tr> <td>U-46</td> <td>"</td> <td>"</td> <td>V-675</td> <td>122</td> <td>1/2</td> <td>2900</td> <td>1\"/&gt;  <tr> <td>U-47</td> <td>"</td> <td>"</td> <td>V-675</td> <td>122</td> <td>1/2</td> <td>2900</td> <td>1\"/&gt;  <tr> <td>U-48</td> <td>"</td> <td>"</td> <td>V-675</td> <td>122</td> <td>1/2</td> <td>2900</td> <td>1\"/&gt;  <tr> <td>U-49</td> <td>"</td> <td>"</td> <td>V-675</td> <td>122</td> <td>1/2</td> <td>2900</td> <td>1\"/&gt;  <tr> <td>U-50</td> <td>"</td> <td>"</td> <td>V-675</td> <td>122</td> <td>1/2</td> <td>2900</td> <td>1\"/&gt;  </td></tr></td></tr></td></tr></td></tr></td></tr></td></tr></td></tr>  
  | U-44 | " | " | V-675 | 122 | 1/2 | 2900 | 1\"/> <tr> <td>U-45</td> <td>"</td> <td>"</td> <td>V-675</td> <td>122</td> <td>1/2</td> <td>2900</td> <td>1\"/&gt;  <tr> <td>U-46</td> <td>"</td> <td>"</td> <td>V-675</td> <td>122</td> <td>1/2</td> <td>2900</td> <td>1\"/&gt;  <tr> <td>U-47</td> <td>"</td> <td>"</td> <td>V-675</td> <td>122</td> <td>1/2</td> <td>2900</td> <td>1\"/&gt;  <tr> <td>U-48</td> <td>"</td> <td>"</td> <td>V-675</td> <td>122</td> <td>1/2</td> <td>2900</td> <td>1\"/&gt;  <tr> <td>U-49</td> <td>"</td> <td>"</td> <td>V-675</td> <td>122</td> <td>1/2</td> <td>2900</td> <td>1\"/&gt;  <tr> <td>U-50</td> <td>"</td> <td>"</td> <td>V-675</td> <td>122</td> <td>1/2</td> <td>2900</td> <td>1\"/&gt;  </td></tr></td></tr></td></tr></td></tr></td></tr></td></tr>  | U-45 | " | " | V-675 | 122 | 1/2 | 2900 | 1\"/> <tr> <td>U-46</td> <td>"</td> <td>"</td> <td>V-675</td> <td>122</td> <td>1/2</td> <td>2900</td> <td>1\"/&gt;  <tr> <td>U-47</td> <td>"</td> <td>"</td> <td>V-675</td> <td>122</td> <td>1/2</td> <td>2900</td> <td>1\"/&gt;  <tr> <td>U-48</td> <td>"</td> <td>"</td> <td>V-675</td> <td>122</td> <td>1/2</td> <td>2900</td> <td>1\"/&gt;  <tr> <td>U-49</td> <td>"</td> <td>"</td> <td>V-675</td> <td>122</td> <td>1/2</td> <td>2900</td> <td>1\"/&gt;  <tr> <td>U-50</td> <td>"</td> <td>"</td> <td>V-675</td> <td>122</td> <td>1/2</td> <td>2900</td> <td>1\"/&gt;  </td></tr></td></tr></td></tr></td></tr></td></tr>   
   | U-46 | " | " | V-675 | 122 | 1/2 | 2900 | 1\"/> <tr> <td>U-47</td> <td>"</td> <td>"</td> <td>V-675</td> <td>122</td> <td>1/2</td> <td>2900</td> <td>1\"/&gt;  <tr> <td>U-48</td> <td>"</td> <td>"</td> <td>V-675</td> <td>122</td> <td>1/2</td> <td>2900</td> <td>1\"/&gt;  <tr> <td>U-49</td> <td>"</td> <td>"</td> <td>V-675</td> <td>122</td> <td>1/2</td> <td>2900</td> <td>1\"/&gt;  <tr> <td>U-50</td> <td>"</td> <td>"</td> <td>V-675</td> <td>122</td> <td>1/2</td> <td>2900</td> <td>1\"/&gt;  </td></tr></td></tr></td></tr></td></tr>   | U-47 | " | " | V-675 | 122 | 1/2 | 2900 | 1\"/> <tr> <td>U-48</td> <td>"</td> <td>"</td> <td>V-675</td> <td>122</td> <td>1/2</td> <td>2900</td> <td>1\"/&gt;  <tr> <td>U-49</td> <td>"</td> <td>"</td> <td>V-675</td> <td>122</td> <td>1/2</td> <td>2900</td> <td>1\"/&gt;  <tr> <td>U-50</td> <td>"</td> <td>"</td> <td>V-675</td> <td>122</td> <td>1/2</td> <td>2900</td> <td>1\"/&gt;  </td></tr></td></tr></td></tr>   
   | U-48 | " | " | V-675 | 122 | 1/2 | 2900 | 1\"/> <tr> <td>U-49</td> <td>"</td> <td>"</td> <td>V-675</td> <td>122</td> <td>1/2</td> <td>2900</td> <td>1\"/&gt;  <tr> <td>U-50</td> <td>"</td> <td>"</td> <td>V-675</td> <td>122</td> <td>1/2</td> <td>2900</td> <td>1\"/&gt;  </td></tr></td></tr>   | U-49 | " | " | V-675 | 122 | 1/2 | 2900 | 1\"/> <tr> <td>U-50</td> <td>"</td> <td>"</td> <td>V-675</td> <td>122</td> <td>1/2</td> <td>2900</td> <td>1\"/&gt;  </td></tr>   
   | U-50 | " | " | V-675 | 122 | 1/2 | 2900 | 1\"/>  |      |   |   |       |     |     |      | | | | | | | | | | | | | | | | | | | | | | | | | | | | | | | | | | | | | | | | | | | | | | | | | |
   |      |   |   |       |     |     |      |  |      |   |   |       |     |     |      |  |      |   |   |       |     |     |      |   
  |      |   |   |       |     |     |      |  |      |   |   |       |     |     |      |   
  |      |   |   |       |     |     |      |  |      |   |   |       |     |     |      |  |      |   |   |       |     |     |      |  
   |      |   |   |       |     |     |      |  |      |   |   |       |     |     |      |  |      |   |   |       |     |     |      |  |      |   |   |       |     |     |      |  
   |      |   |   |       |     |     |      |  |      |   |   |       |     |     |      |  |      |   |   |       |     |     |      |   
  |      |   |   |       |     |     |      |  |      |   |   |       |     |     |      |  |      |   |   |       |     |     |      |  |      |   |   |       |     |     |      |  |      |   |   |       |     |     |      |  
   |      |   |   |       |     |     |      |  |      |   |   |       |     |     |      |  |      |   |   |       |     |     |      |  |      |   |   |       |     |     |      |  |      |   |   |       |     |     |      |  |      |   |   |       |     |     |      |  |      |   |   |       |     |     |      |   
  |      |   |   |       |     |     |      |  |      |   |   |       |     |     |      |  |      |   |   |       |     |     |      |  |      |   |   |       |     |     |      |  |      |   |   |       |     |     |      |  |      |   |   |       |     |     |      |  |      |   |   |       |     |     |      |  |      |   |   |       |     |     |      |       |
| U-32 | "             | "                       | V-675    | 122  | 1/2           | 2900    | 1\"/> <tr> <td>U-33</td> <td>"</td> <td>"</td> <td>V-675</td> <td>122</td> <td>1/2</td> <td>2900</td> <td>1\"/&gt;  <tr> <td>U-34</td> <td>"</td> <td>"</td> <td>V-675</td> <td>122</td> <td>1/2</td> <td>2900</td> <td>1\"/&gt;  <tr> <td>U-35</td> <td>"</td> <td>"</td> <td>V-675</td> <td>122</td> <td>1/2</td> <td>2900</td> <td>1\"/&gt;  <tr> <td>U-36</td> <td>"</td> <td>"</td> <td>V-675</td> <td>122</td> <td>1/2</td> <td>2900</td> <td>1\"/&gt;  <tr> <td>U-37</td> <td>"</td> <td>"</td> <td>V-675</td> <td>122</td> <td>1/2</td> <td>2900</td> <td>1\"/&gt;  <tr> <td>U-38</td> <td>"</td> <td>"</td> <td>V-675</td> <td>122</td> <td>1/2</td> <td>2900</td> <td>1\"/&gt;  <tr> <td>U-39</td> <td>"</td> <td>"</td> <td>V-675</td> <td>122</td> <td>1/2</td> <td>2900</td> <td>1\"/&gt;  <tr> <td>U-40</td> <td>"</td> <td>"</td> <td>V-675</td> <td>122</td> <td>1/2</td> <td>2900</td> <td>1\"/&gt;  <tr> <td>U-41</td> <td>"</td> <td>"</td> <td>V-675</td> <td>122</td> <td>1/2</td> <td>2900</td> <td>1\"/&gt;  <tr> <td>U-42</td> <td>"</td> <td>"</td> <td>V-675</td> <td>122</td> <td>1/2</td> <td>2900</td> <td>1\"/&gt;  <tr> <td>U-43</td> <td>"</td> <td>"</td> <td>V-675</td> <td>122</td> <td>1/2</td> <td>2900</td> <td>1\"/&gt;  <tr> <td>U-44</td> <td>"</td> <td>"</td> <td>V-675</td> <td>122</td> <td>1/2</td> <td>2900</td> <td>1\"/&gt;  <tr> <td>U-45</td> <td>"</td> <td>"</td> <td>V-675</td> <td>122</td> <td>1/2</td> <td>2900</td> <td>1\"/&gt;  <tr> <td>U-46</td> <td>"</td> <td>"</td> <td>V-675</td> <td>122</td> <td>1/2</td> <td>2900</td> <td>1\"/&gt;  <tr> <td>U-47</td> <td>"</td> <td>"</td> <td>V-675</td> <td>122</td> <td>1/2</td> <td>2900</td> <td>1\"/&gt;  <tr> <td>U-48</td> <td>"</td> <td>"</td> <td>V-675</td> <td>122</td> <td>1/2</td> <td>2900</td> <td>1\"/&gt;  <tr> <td>U-49</td> <td>"</td> <td>"</td> <td>V-675</td> <td>122</td> <td>1/2</td> <td>2900</td> <td>1\"/&gt;  <tr> <td>U-50</td> <td>"</td> <td>"</td> <td>V-675</td> <td>122</td> <td>1/2</td> <td>2900</td> <td>1\"/&gt;  </td></tr></td></tr></td></tr></td></tr></td></tr></td></tr></td></tr></td></tr></td></tr></td></tr></td></tr></td></tr></td></tr></td></tr></td></tr></td></tr></td></tr></td></tr>  | U-33 | " | " | V-675  | 122  | 1/2 | 2900   | 1\"/> <tr> <td>U-34</td> <td>"</td> <td>"</td> <td>V-675</td> <td>122</td> <td>1/2</td> <td>2900</td> <td>1\"/&gt;  <tr> <td>U-35</td> <td>"</td> <td>"</td> <td>V-675</td> <td>122</td> <td>1/2</td> <td>2900</td> <td>1\"/&gt;  <tr> <td>U-36</td> <td>"</td> <td>"</td> <td>V-675</td> <td>122</td> <td>1/2</td> <td>2900</td> <td>1\"/&gt;  <tr> <td>U-37</td> <td>"</td> <td>"</td> <td>V-675</td> <td>122</td> <td>1/2</td> <td>2900</td> <td>1\"/&gt;  <tr> <td>U-38</td> <td>"</td> <td>"</td> <td>V-675</td> <td>122</td> <td>1/2</td> <td>2900</td> <td>1\"/&gt;  <tr> <td>U-39</td> <td>"</td> <td>"</td> <td>V-675</td> <td>122</td> <td>1/2</td> <td>2900</td> <td>1\"/&gt;  <tr> <td>U-40</td> <td>"</td> <td>"</td> <td>V-675</td> <td>122</td> <td>1/2</td> <td>2900</td> <td>1\"/&gt;  <tr> <td>U-41</td> <td>"</td> <td>"</td> <td>V-675</td> <td>122</td> <td>1/2</td> <td>2900</td> <td>1\"/&gt;  <tr> <td>U-42</td> <td>"</td> <td>"</td> <td>V-675</td> <td>122</td> <td>1/2</td> <td>2900</td> <td>1\"/&gt;  <tr> <td>U-43</td> <td>"</td> <td>"</td> <td>V-675</td> <td>122</td> <td>1/2</td> <td>2900</td> <td>1\"/&gt;  <tr> <td>U-44</td> <td>"</td> <td>"</td> <td>V-675</td> <td>122</td> <td>1/2</td> <td>2900</td> <td>1\"/&gt;  <tr> <td>U-45</td> <td>"</td> <td>"</td> <td>V-675</td> <td>122</td> <td>1/2</td> <td>2900</td> <td>1\"/&gt;  <tr> <td>U-46</td> <td>"</td> <td>"</td> <td>V-675</td> <td>122</td> <td>1/2</td> <td>2900</td> <td>1\"/&gt;  <tr> <td>U-47</td> <td>"</td> <td>"</td> <td>V-675</td> <td>122</td> <td>1/2</td> <td>2900</td> <td>1\"/&gt;  <tr> <td>U-48</td> <td>"</td> <td>"</td> <td>V-675</td> <td>122</td> <td>1/2</td> <td>2900</td> <td>1\"/&gt;  <tr> <td>U-49</td> <td>"</td> <td>"</td> <td>V-675</td> <td>122</td> <td>1/2</td> <td>2900</td> <td>1\"/&gt;  <tr> <td>U-50</td> <td>"</td> <td>"</td> <td>V-675</td> <td>122</td> <td>1/2</td> <td>2900</td> <td>1\"/&gt;  </td></tr></td></tr></td></tr></td></tr></td></tr></td></tr></td></tr></td></tr></td></tr></td></tr></td></tr></td></tr></td></tr></td></tr></td></tr></td></tr></td></tr>  
  | U-34 | " | " | V-675  | 122 | 1/2 | 2900   | 1\"/> <tr> <td>U-35</td> <td>"</td> <td>"</td> <td>V-675</td> <td>122</td> <td>1/2</td> <td>2900</td> <td>1\"/&gt;  <tr> <td>U-36</td> <td>"</td> <td>"</td> <td>V-675</td> <td>122</td> <td>1/2</td> <td>2900</td> <td>1\"/&gt;  <tr> <td>U-37</td> <td>"</td> <td>"</td> <td>V-675</td> <td>122</td> <td>1/2</td> <td>2900</td> <td>1\"/&gt;  <tr> <td>U-38</td> <td>"</td> <td>"</td> <td>V-675</td> <td>122</td> <td>1/2</td> <td>2900</td> <td>1\"/&gt;  <tr> <td>U-39</td> <td>"</td> <td>"</td> <td>V-675</td> <td>122</td> <td>1/2</td> <td>2900</td> <td>1\"/&gt;  <tr> <td>U-40</td> <td>"</td> <td>"</td> <td>V-675</td> <td>122</td> <td>1/2</td> <td>2900</td> <td>1\"/&gt;  <tr> <td>U-41</td> <td>"</td> <td>"</td> <td>V-675</td> <td>122</td> <td>1/2</td> <td>2900</td> <td>1\"/&gt;  <tr> <td>U-42</td> <td>"</td> <td>"</td> <td>V-675</td> <td>122</td> <td>1/2</td> <td>2900</td> <td>1\"/&gt;  <tr> <td>U-43</td> <td>"</td> <td>"</td> <td>V-675</td> <td>122</td> <td>1/2</td> <td>2900</td> <td>1\"/&gt;  <tr> <td>U-44</td> <td>"</td> <td>"</td> <td>V-675</td> <td>122</td> <td>1/2</td> <td>2900</td> <td>1\"/&gt;  <tr> <td>U-45</td> <td>"</td> <td>"</td> <td>V-675</td> <td>122</td> <td>1/2</td> <td>2900</td> <td>1\"/&gt;  <tr> <td>U-46</td> <td>"</td> <td>"</td> <td>V-675</td> <td>122</td> <td>1/2</td> <td>2900</td> <td>1\"/&gt;  <tr> <td>U-47</td> <td>"</td> <td>"</td> <td>V-675</td> <td>122</td> <td>1/2</td> <td>2900</td> <td>1\"/&gt;  <tr> <td>U-48</td> <td>"</td> <td>"</td> <td>V-675</td> <td>122</td> <td>1/2</td> <td>2900</td> <td>1\"/&gt;  <tr> <td>U-49</td> <td>"</td> <td>"</td> <td>V-675</td> <td>122</td> <td>1/2</td> <td>2900</td> <td>1\"/&gt;  <tr> <td>U-50</td> <td>"</td> <td>"</td> <td>V-675</td> <td>122</td> <td>1/2</td> <td>2900</td> <td>1\"/&gt;  </td></tr></td></tr></td></tr></td></tr></td></tr></td></tr></td></tr></td></tr></td></tr></td></tr></td></tr></td></tr></td></tr></td></tr></td></tr></td></tr>   | U-35 | " | " | V-675 | 122 | 1/2 | 2900    | 1\"/> <tr> <td>U-36</td> <td>"</td> <td>"</td> <td>V-675</td> <td>122</td> <td>1/2</td> <td>2900</td> <td>1\"/&gt;  <tr> <td>U-37</td> <td>"</td> <td>"</td> <td>V-675</td> <td>122</td> <td>1/2</td> <td>2900</td> <td>1\"/&gt;  <tr> <td>U-38</td> <td>"</td> <td>"</td> <td>V-675</td> <td>122</td> <td>1/2</td> <td>2900</td> <td>1\"/&gt;  <tr> <td>U-39</td> <td>"</td> <td>"</td> <td>V-675</td> <td>122</td> <td>1/2</td> <td>2900</td> <td>1\"/&gt;  <tr> <td>U-40</td> <td>"</td> <td>"</td> <td>V-675</td> <td>122</td> <td>1/2</td> <td>2900</td> <td>1\"/&gt;  <tr> <td>U-41</td> <td>"</td> <td>"</td> <td>V-675</td> <td>122</td> <td>1/2</td> <td>2900</td> <td>1\"/&gt;  <tr> <td>U-42</td> <td>"</td> <td>"</td> <td>V-675</td> <td>122</td> <td>1/2</td> <td>2900</td> <td>1\"/&gt;  <tr> <td>U-43</td> <td>"</td> <td>"</td> <td>V-675</td> <td>122</td> <td>1/2</td> <td>2900</td> <td>1\"/&gt;  <tr> <td>U-44</td> <td>"</td> <td>"</td> <td>V-675</td> <td>122</td> <td>1/2</td> <td>2900</td> <td>1\"/&gt;  <tr> <td>U-45</td> <td>"</td> <td>"</td> <td>V-675</td> <td>122</td> <td>1/2</td> <td>2900</td> <td>1\"/&gt;  <tr> <td>U-46</td> <td>"</td> <td>"</td> <td>V-675</td> <td>122</td> <td>1/2</td> <td>2900</td> <td>1\"/&gt;  <tr> <td>U-47</td> <td>"</td> <td>"</td> <td>V-675</td> <td>122</td> <td>1/2</td> <td>2900</td> <td>1\"/&gt;  <tr> <td>U-48</td> <td>"</td> <td>"</td> <td>V-675</td> <td>122</td> <td>1/2</td> <td>2900</td> <td>1\"/&gt;  <tr> <td>U-49</td> <td>"</td> <td>"</td> <td>V-675</td> <td>122</td> <td>1/2</td> <td>2900</td> <td>1\"/&gt;  <tr> <td>U-50</td> <td>"</td> <td>"</td> <td>V-675</td> <td>122</td> <td>1/2</td> <td>2900</td> <td>1\"/&gt;  </td></tr></td></tr></td></tr></td></tr></td></tr></td></tr></td></tr></td></tr></td></tr></td></tr></td></tr></td></tr></td></tr></td></tr></td></tr>    
   | U-36 | " | " | V-675 | 122 | 1/2 | 2900   | 1\"/> <tr> <td>U-37</td> <td>"</td> <td>"</td> <td>V-675</td> <td>122</td> <td>1/2</td> <td>2900</td> <td>1\"/&gt;  <tr> <td>U-38</td> <td>"</td> <td>"</td> <td>V-675</td> <td>122</td> <td>1/2</td> <td>2900</td> <td>1\"/&gt;  <tr> <td>U-39</td> <td>"</td> <td>"</td> <td>V-675</td> <td>122</td> <td>1/2</td> <td>2900</td> <td>1\"/&gt;  <tr> <td>U-40</td> <td>"</td> <td>"</td> <td>V-675</td> <td>122</td> <td>1/2</td> <td>2900</td> <td>1\"/&gt;  <tr> <td>U-41</td> <td>"</td> <td>"</td> <td>V-675</td> <td>122</td> <td>1/2</td> <td>2900</td> <td>1\"/&gt;  <tr> <td>U-42</td> <td>"</td> <td>"</td> <td>V-675</td> <td>122</td> <td>1/2</td> <td>2900</td> <td>1\"/&gt;  <tr> <td>U-43</td> <td>"</td> <td>"</td> <td>V-675</td> <td>122</td> <td>1/2</td> <td>2900</td> <td>1\"/&gt;  <tr> <td>U-44</td> <td>"</td> <td>"</td> <td>V-675</td> <td>122</td> <td>1/2</td> <td>2900</td> <td>1\"/&gt;  <tr> <td>U-45</td> <td>"</td> <td>"</td> <td>V-675</td> <td>122</td> <td>1/2</td> <td>2900</td> <td>1\"/&gt;  <tr> <td>U-46</td> <td>"</td> <td>"</td> <td>V-675</td> <td>122</td> <td>1/2</td> <td>2900</td> <td>1\"/&gt;  <tr> <td>U-47</td> <td>"</td> <td>"</td> <td>V-675</td> <td>122</td> <td>1/2</td> <td>2900</td> <td>1\"/&gt;  <tr> <td>U-48</td> <td>"</td> <td>"</td> <td>V-675</td> <td>122</td> <td>1/2</td> <td>2900</td> <td>1\"/&gt;  <tr> <td>U-49</td> <td>"</td> <td>"</td> <td>V-675</td> <td>122</td> <td>1/2</td> <td>2900</td> <td>1\"/&gt;  <tr> <td>U-50</td> <td>"</td> <td>"</td> <td>V-675</td> <td>122</td> <td>1/2</td> <td>2900</td> <td>1\"/&gt;  </td></tr></td></tr></td></tr></td></tr></td></tr></td></tr></td></tr></td></tr></td></tr></td></tr></td></tr></td></tr></td></tr></td></tr>   | U-37 | " | " | V-675 | 122 | 1/2 | 2900    | 1\"/> <tr> <td>U-38</td> <td>"</td> <td>"</td> <td>V-675</td> <td>122</td> <td>1/2</td> <td>2900</td> <td>1\"/&gt;  <tr> <td>U-39</td> <td>"</td> <td>"</td> <td>V-675</td> <td>122</td> <td>1/2</td> <td>2900</td> <td>1\"/&gt;  <tr> <td>U-40</td> <td>"</td> <td>"</td> <td>V-675</td> <td>122</td> <td>1/2</td> <td>2900</td> <td>1\"/&gt;  <tr> <td>U-41</td> <td>"</td> <td>"</td> <td>V-675</td> <td>122</td> <td>1/2</td> <td>2900</td> <td>1\"/&gt;  <tr> <td>U-42</td> <td>"</td> <td>"</td> <td>V-675</td> <td>122</td> <td>1/2</td> <td>2900</td> <td>1\"/&gt;  <tr> <td>U-43</td> <td>"</td> <td>"</td> <td>V-675</td> <td>122</td> <td>1/2</td> <td>2900</td> <td>1\"/&gt;  <tr> <td>U-44</td> <td>"</td> <td>"</td> <td>V-675</td> <td>122</td> <td>1/2</td> <td>2900</td> <td>1\"/&gt;  <tr>
<td>U-45</td> <td>"</td> <td>"</td> <td>V-675</td> <td>122</td> <td>1/2</td> <td>2900</td> <td>1\"/&gt;  <tr> <td>U-46</td> <td>"</td> <td>"</td> <td>V-675</td> <td>122</td> <td>1/2</td> <td>2900</td> <td>1\"/&gt;  <tr> <td>U-47</td> <td>"</td> <td>"</td> <td>V-675</td> <td>122</td> <td>1/2</td> <td>2900</td> <td>1\"/&gt;  <tr> <td>U-48</td> <td>"</td> <td>"</td> <td>V-675</td> <td>122</td> <td>1/2</td> <td>2900</td> <td>1\"/&gt;  <tr> <td>U-49</td> <td>"</td> <td>"</td> <td>V-675</td> <td>122</td> <td>1/2</td> <td>2900</td> <td>1\"/&gt;  <tr> <td>U-50</td> <td>"</td> <td>"</td> <td>V-675</td> <td>122</td> <td>1/2</td> <td>2900</td> <td>1\"/&gt;  </td></tr></td></tr></td></tr></td></tr></td></tr></td></tr></td></tr></td></tr></td></tr></td></tr></td></tr></td></tr></td></tr>  | U-38 | "           | "      | V-675  | 122  | 1/2 | 2900 | 1\"/> <tr> <td>U-39</td> <td>"</td> <td>"</td> <td>V-675</td> <td>122</td> <td>1/2</td> <td>2900</td> <td>1\"/&gt;  <tr> <td>U-40</td> <td>"</td> <td>"</td> <td>V-675</td> <td>122</td> <td>1/2</td> <td>2900</td> <td>1\"/&gt;  <tr> <td>U-41</td> <td>"</td> <td>"</td> <td>V-675</td> <td>122</td> <td>1/2</td> <td>2900</td> <td>1\"/&gt;  <tr> <td>U-42</td> <td>"</td> <td>"</td> <td>V-675</td> <td>122</td> <td>1/2</td> <td>2900</td> <td>1\"/&gt;  <tr> <td>U-43</td> <td>"</td> <td>"</td> <td>V-675</td> <td>122</td> <td>1/2</td> <td>2900</td> <td>1\"/&gt;  <tr> <td>U-44</td> <td>"</td> <td>"</td> <td>V-675</td> <td>122</td> <td>1/2</td> <td>2900</td> <td>1\"/&gt;  <tr> <td>U-45</td> <td>"</td> <td>"</td> <td>V-675</td> <td>122</td> <td>1/2</td> <td>2900</td> <td>1\"/&gt;  <tr> <td>U-46</td> <td>"</td> <td>"</td> <td>V-675</td> <td>122</td> <td>1/2</td> <td>2900</td> <td>1\"/&gt;  <tr> <td>U-47</td> <td>"</td> <td>"</td> <td>V-675</td> <td>122</td> <td>1/2</td> <td>2900</td> <td>1\"/&gt;  <tr> <td>U-48</td> <td>"</td> <td>"</td> <td>V-675</td> <td>122</td> <td>1/2</td> <td>2900</td> <td>1\"/&gt;  <tr> <td>U-49</td> <td>"</td> <td>"</td> <td>V-675</td> <td>122</td> <td>1/2</td> <td>2900</td> <td>1\"/&gt;  <tr> <td>U-50</td> <td>"</td> <td>"</td> <td>V-675</td> <td>122</td> <td>1/2</td> <td>2900</td> <td>1\"/&gt;  </td></tr></td></tr></td></tr></td></tr></td></tr></td></tr></td></tr></td></tr></td></tr></td></tr></td></tr></td></tr>   
  | U-39 | " | " | V-675  | 122  | 1/2 | 2900 | 1\"/> <tr> <td>U-40</td> <td>"</td> <td>"</td> <td>V-675</td> <td>122</td> <td>1/2</td> <td>2900</td> <td>1\"/&gt;  <tr> <td>U-41</td> <td>"</td> <td>"</td> <td>V-675</td> <td>122</td> <td>1/2</td> <td>2900</td> <td>1\"/&gt;  <tr> <td>U-42</td> <td>"</td> <td>"</td> <td>V-675</td> <td>122</td> <td>1/2</td> <td>2900</td> <td>1\"/&gt;  <tr> <td>U-43</td> <td>"</td> <td>"</td> <td>V-675</td> <td>122</td> <td>1/2</td> <td>2900</td> <td>1\"/&gt;  <tr> <td>U-44</td> <td>"</td> <td>"</td> <td>V-675</td> <td>122</td> <td>1/2</td> <td>2900</td> <td>1\"/&gt;  <tr> <td>U-45</td> <td>"</td> <td>"</td> <td>V-675</td> <td>122</td> <td>1/2</td> <td>2900</td> <td>1\"/&gt;  <tr> <td>U-46</td> <td>"</td> <td>"</td> <td>V-675</td> <td>122</td> <td>1/2</td> <td>2900</td> <td>1\"/&gt;  <tr> <td>U-47</td> <td>"</td> <td>"</td> <td>V-675</td> <td>122</td> <td>1/2</td> <td>2900</td> <td>1\"/&gt;  <tr> <td>U-48</td> <td>"</td> <td>"</td> <td>V-675</td> <td>122</td> <td>1/2</td> <td>2900</td> <td>1\"/&gt;  <tr> <td>U-49</td> <td>"</td> <td>"</td> <td>V-675</td> <td>122</td> <td>1/2</td> <td>2900</td> <td>1\"/&gt;  <tr> <td>U-50</td> <td>"</td> <td>"</td> <td>V-675</td> <td>122</td> <td>1/2</td> <td>2900</td> <td>1\"/&gt;  </td></tr></td></tr></td></tr></td></tr></td></tr></td></tr></td></tr></td></tr></td></tr></td></tr></td></tr>   | U-40 | " | " | V-675  | 122 | 1/2 | 2900 | 1\"/> <tr> <td>U-41</td> <td>"</td> <td>"</td> <td>V-675</td> <td>122</td> <td>1/2</td> <td>2900</td> <td>1\"/&gt;  <tr> <td>U-42</td> <td>"</td> <td>"</td> <td>V-675</td> <td>122</td> <td>1/2</td> <td>2900</td> <td>1\"/&gt;  <tr> <td>U-43</td> <td>"</td> <td>"</td> <td>V-675</td> <td>122</td> <td>1/2</td> <td>2900</td> <td>1\"/&gt;  <tr> <td>U-44</td> <td>"</td> <td>"</td> <td>V-675</td> <td>122</td> <td>1/2</td> <td>2900</td> <td>1\"/&gt;  <tr> <td>U-45</td> <td>"</td> <td>"</td> <td>V-675</td> <td>122</td> <td>1/2</td> <td>2900</td> <td>1\"/&gt;  <tr> <td>U-46</td> <td>"</td> <td>"</td> <td>V-675</td> <td>122</td> <td>1/2</td> <td>2900</td> <td>1\"/&gt;  <tr> <td>U-47</td> <td>"</td> <td>"</td> <td>V-675</td> <td>122</td> <td>1/2</td> <td>2900</td> <td>1\"/&gt;  <tr> <td>U-48</td> <td>"</td> <td>"</td> <td>V-675</td> <td>122</td> <td>1/2</td> <td>2900</td> <td>1\"/&gt;  <tr> <td>U-49</td> <td>"</td> <td>"</td> <td>V-675</td> <td>122</td> <td>1/2</td> <td>2900</td> <td>1\"/&gt;  <tr> <td>U-50</td> <td>"</td> <td>"</td> <td>V-675</td> <td>122</td> <td>1/2</td> <td>2900</td> <td>1\"/&gt;  </td></tr></td></tr></td></tr></td></tr></td></tr></td></tr></td></tr></td></tr></td></tr></td></tr>   
   | U-41 | " | " | V-675 | 122 | 1/2 | 2900 | 1\"/> <tr> <td>U-42</td> <td>"</td> <td>"</td> <td>V-675</td> <td>122</td> <td>1/2</td> <td>2900</td> <td>1\"/&gt;  <tr> <td>U-43</td> <td>"</td> <td>"</td> <td>V-675</td> <td>122</td> <td>1/2</td> <td>2900</td> <td>1\"/&gt;  <tr> <td>U-44</td> <td>"</td> <td>"</td> <td>V-675</td> <td>122</td> <td>1/2</td> <td>2900</td> <td>1\"/&gt;  <tr> <td>U-45</td> <td>"</td> <td>"</td> <td>V-675</td> <td>122</td> <td>1/2</td> <td>2900</td> <td>1\"/&gt;  <tr> <td>U-46</td> <td>"</td> <td>"</td> <td>V-675</td> <td>122</td> <td>1/2</td> <td>2900</td> <td>1\"/&gt;  <tr> <td>U-47</td> <td>"</td> <td>"</td> <td>V-675</td> <td>122</td> <td>1/2</td> <td>2900</td> <td>1\"/&gt;  <tr> <td>U-48</td> <td>"</td> <td>"</td> <td>V-675</td> <td>122</td> <td>1/2</td> <td>2900</td> <td>1\"/&gt;  <tr> <td>U-49</td> <td>"</td> <td>"</td> <td>V-675</td> <td>122</td> <td>1/2</td> <td>2900</td> <td>1\"/&gt;  <tr> <td>U-50</td> <td>"</td> <td>"</td> <td>V-675</td> <td>122</td> <td>1/2</td> <td>2900</td> <td>1\"/&gt;  </td></tr></td></tr></td></tr></td></tr></td></tr></td></tr></td></tr></td></tr></td></tr>  | U-42 | " | " | V-675 | 122 | 1/2 | 2900 | 1\"/> <tr> <td>U-43</td> <td>"</td> <td>"</td> <td>V-675</td> <td>122</td> <td>1/2</td> <td>2900</td> <td>1\"/&gt;  <tr> <td>U-44</td> <td>"</td> <td>"</td> <td>V-675</td> <td>122</td> <td>1/2</td> <td>2900</td> <td>1\"/&gt;  <tr> <td>U-45</td> <td>"</td> <td>"</td> <td>V-675</td> <td>122</td> <td>1/2</td> <td>2900</td> <td>1\"/&gt;  <tr> <td>U-46</td> <td>"</td> <td>"</td> <td>V-675</td> <td>122</td> <td>1/2</td> <td>2900</td> <td>1\"/&gt;  <tr> <td>U-47</td> <td>"</td> <td>"</td> <td>V-675</td> <td>122</td> <td>1/2</td> <td>2900</td> <td>1\"/&gt;  <tr> <td>U-48</td> <td>"</td> <td>"</td> <td>V-675</td> <td>122</td> <td>1/2</td> <td>2900</td> <td>1\"/&gt;  <tr> <td>U-49</td> <td>"</td> <td>"</td> <td>V-675</td> <td>122</td> <td>1/2</td> <td>2900</td> <td>1\"/&gt;  <tr> <td>U-50</td> <td>"</td> <td>"</td> <td>V-675</td> <td>122</td> <td>1/2</td> <td>2900</td> <td>1\"/&gt;  </td></tr></td></tr></td></tr></td></tr></td></tr></td></tr></td></tr></td></tr>  
  | U-43 | " | " | V-675 | 122 | 1/2 | 2900 | 1\"/> <tr> <td>U-44</td> <td>"</td> <td>"</td> <td>V-675</td> <td>122</td> <td>1/2</td> <td>2900</td> <td>1\"/&gt;  <tr> <td>U-45</td> <td>"</td> <td>"</td> <td>V-675</td> <td>122</td> <td>1/2</td> <td>2900</td> <td>1\"/&gt;  <tr> <td>U-46</td> <td>"</td> <td>"</td> <td>V-675</td> <td>122</td> <td>1/2</td> <td>2900</td> <td>1\"/&gt;  <tr> <td>U-47</td> <td>"</td> <td>"</td> <td>V-675</td> <td>122</td> <td>1/2</td> <td>2900</td> <td>1\"/&gt;  <tr> <td>U-48</td> <td>"</td> <td>"</td> <td>V-675</td> <td>122</td> <td>1/2</td> <td>2900</td> <td>1\"/&gt;  <tr> <td>U-49</td> <td>"</td> <td>"</td> <td>V-675</td> <td>122</td> <td>1/2</td> <td>2900</td> <td>1\"/&gt;  <tr> <td>U-50</td> <td>"</td> <td>"</td> <td>V-675</td> <td>122</td> <td>1/2</td> <td>2900</td> <td>1\"/&gt;  </td></tr></td></tr></td></tr></td></tr></td></tr></td></tr></td></tr>  | U-44 | " | " | V-675 | 122 | 1/2 | 2900 | 1\"/> <tr> <td>U-45</td> <td>"</td> <td>"</td> <td>V-675</td> <td>122</td> <td>1/2</td> <td>2900</td> <td>1\"/&gt;  <tr> <td>U-46</td> <td>"</td> <td>"</td> <td>V-675</td> <td>122</td> <td>1/2</td> <td>2900</td> <td>1\"/&gt;  <tr> <td>U-47</td> <td>"</td> <td>"</td> <td>V-675</td> <td>122</td> <td>1/2</td> <td>2900</td> <td>1\"/&gt;  <tr> <td>U-48</td> <td>"</td> <td>"</td> <td>V-675</td> <td>122</td> <td>1/2</td> <td>2900</td> <td>1\"/&gt;  <tr> <td>U-49</td> <td>"</td> <td>"</td> <td>V-675</td> <td>122</td> <td>1/2</td> <td>2900</td> <td>1\"/&gt;  <tr> <td>U-50</td> <td>"</td> <td>"</td> <td>V-675</td> <td>122</td> <td>1/2</td> <td>2900</td> <td>1\"/&gt;  </td></tr></td></tr></td></tr></td></tr></td></tr></td></tr>   
   | U-45 | " | " | V-675 | 122 | 1/2 | 2900 | 1\"/> <tr> <td>U-46</td> <td>"</td> <td>"</td> <td>V-675</td> <td>122</td> <td>1/2</td> <td>2900</td> <td>1\"/&gt;  <tr> <td>U-47</td> <td>"</td> <td>"</td> <td>V-675</td> <td>122</td> <td>1/2</td> <td>2900</td> <td>1\"/&gt;  <tr> <td>U-48</td> <td>"</td> <td>"</td> <td>V-675</td> <td>122</td> <td>1/2</td> <td>2900</td> <td>1\"/&gt;  <tr> <td>U-49</td> <td>"</td> <td>"</td> <td>V-675</td> <td>122</td> <td>1/2</td> <td>2900</td> <td>1\"/&gt;  <tr> <td>U-50</td> <td>"</td> <td>"</td> <td>V-675</td> <td>122</td> <td>1/2</td> <td>2900</td> <td>1\"/&gt;  </td></tr></td></tr></td></tr></td></tr></td></tr>  | U-46 | " | " | V-675 | 122 | 1/2 | 2900 | 1\"/> <tr> <td>U-47</td> <td>"</td> <td>"</td> <td>V-675</td> <td>122</td> <td>1/2</td> <td>2900</td> <td>1\"/&gt;  <tr> <td>U-48</td> <td>"</td> <td>"</td> <td>V-675</td> <td>122</td> <td>1/2</td> <td>2900</td> <td>1\"/&gt;  <tr> <td>U-49</td> <td>"</td> <td>"</td> <td>V-675</td> <td>122</td> <td>1/2</td> <td>2900</td> <td>1\"/&gt;  <tr> <td>U-50</td> <td>"</td> <td>"</td> <td>V-675</td> <td>122</td> <td>1/2</td> <td>2900</td> <td>1\"/&gt;  </td></tr></td></tr></td></tr></td></tr>  
  | U-47 | " | " | V-675 | 122 | 1/2 | 2900 | 1\"/> <tr> <td>U-48</td> <td>"</td> <td>"</td> <td>V-675</td> <td>122</td> <td>1/2</td> <td>2900</td> <td>1\"/&gt;  <tr> <td>U-49</td> <td>"</td> <td>"</td> <td>V-675</td> <td>122</td> <td>1/2</td> <td>2900</td> <td>1\"/&gt;  <tr> <td>U-50</td> <td>"</td> <td>"</td> <td>V-675</td> <td>122</td> <td>1/2</td> <td>2900</td> <td>1\"/&gt;  </td></tr></td></tr></td></tr>   | U-48 | " | " | V-675 | 122 | 1/2 | 2900 | 1\"/> <tr> <td>U-49</td> <td>"</td> <td>"</td> <td>V-675</td> <td>122</td> <td>1/2</td> <td>2900</td> <td>1\"/&gt;  <tr> <td>U-50</td> <td>"</td> <td>"</td> <td>V-675</td> <td>122</td> <td>1/2</td> <td>2900</td> <td>1\"/&gt;  </td></tr></td></tr>  
  | U-49 | " | " | V-675 | 122 | 1/2 | 2900 | 1\"/> <tr> <td>U-50</td> <td>"</td> <td>"</td> <td>V-675</td> <td>122</td> <td>1/2</td> <td>2900</td> <td>1\"/&gt;  </td></tr>   | U-50 | " | " | V-675 | 122 | 1/2 | 2900 | 1\"/>   
  |      |   |   |       |     |     |      |  |      |   |   |       |     |     |      | | | | | | | | | | | | | | | | | | | | | | | | | | | | | | | | | | | | | | | | | | | | | | | | | |
  |      |   |   |       |     |     |      |  |      |   |   |       |     |     |      |  |      |   |   |       |     |     |      |  
   |      |   |   |       |     |     |      |  |      |   |   |       |     |     |      |  
   |      |   |   |       |     |     |      |  |      |   |   |       |     |     |      |  |      |   |   |       |     |     |      |   
  |      |   |   |       |     |     |      |  |      |   |   |       |     |     |      |  |      |   |   |       |     |     |      |  |      |   |   |       |     |     |      |   
  |      |   |   |       |     |     |      |  |      |   |   |       |     |     |      |  |      |   |   |       |     |     |      |  
   |      |   |   |       |     |     |      |  |      |   |   |       |     |     |      |  |      |   |   |       |     |     |      |  |      |   |   |       |     |     |      |  |      |   |   |       |     |     |      |   
  |      |   |   |       |     |     |      |  |      |   |   |       |     |     |      |  |      |   |   |       |     |     |      |  |      |   |   |       |     |     |      |  |      |   |   |       |     |     |      |  |      |   |   |       |     |     |      |  |      |   |   |       |     |     |      |  
   |      |   |   |       |     |     |      |  |      |   |   |       |     |     |      |  |      |   |   |       |     |     |      |  |      |   |   |       |     |     |      |  |      |   |   |       |     |     |      |  |      |   |   |       |     |     |      |  |      |   |   |       |     |     |      |  |      |   |   |       |     |     |      |       |
| U-33 | "             | "                       | V-675    | 122  | 1/2           | 2900    | 1\"/> <tr> <td>U-34</td> <td>"</td> <td>"</td> <td>V-675</td> <td>122</td> <td>1/2</td> <td>2900</td> <td>1\"/&gt;  <tr> <td>U-35</td> <td>"</td> <td>"</td> <td>V-675</td> <td>122</td> <td>1/2</td> <td>2900</td> <td>1\"/&gt;  <tr> <td>U-36</td> <td>"</td> <td>"</td> <td>V-675</td> <td>122</td> <td>1/2</td> <td>2900</td> <td>1\"/&gt;  <tr> <td>U-37</td> <td>"</td> <td>"</td> <td>V-675</td> <td>122</td> <td>1/2</td> <td>2900</td> <td>1\"/&gt;  <tr> <td>U-38</td> <td>"</td> <td>"</td> <td>V-675</td> <td>122</td> <td>1/2</td> <td>2900</td> <td>1\"/&gt;  <tr> <td>U-39</td> <td>"</td> <td>"</td> <td>V-675</td> <td>122</td> <td>1/2</td> <td>2900</td> <td>1\"/&gt;  <tr> <td>U-40</td> <td>"</td> <td>"</td> <td>V-675</td> <td>122</td> <td>1/2</td> <td>2900</td> <td>1\"/&gt;  <tr> <td>U-41</td> <td>"</td> <td>"</td> <td>V-675</td> <td>122</td> <td>1/2</td> <td>2900</td> <td>1\"/&gt;  <tr> <td>U-42</td> <td>"</td> <td>"</td> <td>V-675</td> <td>122</td> <td>1/2</td> <td>2900</td> <td>1\"/&gt;  <tr> <td>U-43</td> <td>"</td> <td>"</td> <td>V-675</td> <td>122</td> <td>1/2</td> <td>2900</td> <td>1\"/&gt;  <tr> <td>U-44</td> <td>"</td> <td>"</td> <td>V-675</td> <td>122</td> <td>1/2</td> <td>2900</td> <td>1\"/&gt;  <tr> <td>U-45</td> <td>"</td> <td>"</td> <td>V-675</td> <td>122</td> <td>1/2</td> <td>2900</td> <td>1\"/&gt;  <tr> <td>U-46</td> <td>"</td> <td>"</td> <td>V-675</td> <td>122</td> <td>1/2</td> <td>2900</td> <td>1\"/&gt;  <tr> <td>U-47</td> <td>"</td> <td>"</td> <td>V-675</td> <td>122</td> <td>1/2</td> <td>2900</td> <td>1\"/&gt;  <tr> <td>U-48</td> <td>"</td> <td>"</td> <td>V-675</td> <td>122</td> <td>1/2</td> <td>2900</td> <td>1\"/&gt;  <tr> <td>U-49</td> <td>"</td> <td>"</td> <td>V-675</td> <td>122</td> <td>1/2</td> <td>2900</td> <td>1\"/&gt;  <tr> <td>U-50</td> <td>"</td> <td>"</td> <td>V-675</td> <td>122</td> <td>1/2</td> <td>2900</td> <td>1\"/&gt;  </td></tr></td></tr></td></tr></td></tr></td></tr></td></tr></td></tr></td></tr></td></tr></td></tr></td></tr></td></tr></td></tr></td></tr></td></tr></td></tr></td></tr>  | U-34 | " | " | V-675  | 122  | 1/2 | 2900   | 1\"/> <tr> <td>U-35</td> <td>"</td> <td>"</td> <td>V-675</td> <td>122</td> <td>1/2</td> <td>2900</td> <td>1\"/&gt;  <tr> <td>U-36</td> <td>"</td> <td>"</td> <td>V-675</td> <td>122</td> <td>1/2</td> <td>2900</td> <td>1\"/&gt;  <tr> <td>U-37</td> <td>"</td> <td>"</td> <td>V-675</td> <td>122</td> <td>1/2</td> <td>2900</td> <td>1\"/&gt;  <tr> <td>U-38</td> <td>"</td> <td>"</td> <td>V-675</td> <td>122</td> <td>1/2</td> <td>2900</td> <td>1\"/&gt;  <tr> <td>U-39</td> <td>"</td> <td>"</td> <td>V-675</td> <td>122</td> <td>1/2</td> <td>2900</td> <td>1\"/&gt;  <tr> <td>U-40</td> <td>"</td> <td>"</td> <td>V-675</td> <td>122</td> <td>1/2</td> <td>2900</td> <td>1\"/&gt;  <tr> <td>U-41</td> <td>"</td> <td>"</td> <td>V-675</td> <td>122</td> <td>1/2</td> <td>2900</td> <td>1\"/&gt;  <tr> <td>U-42</td> <td>"</td> <td>"</td> <td>V-675</td> <td>122</td> <td>1/2</td> <td>2900</td> <td>1\"/&gt;  <tr> <td>U-43</td> <td>"</td> <td>"</td> <td>V-675</td> <td>122</td> <td>1/2</td> <td>2900</td> <td>1\"/&gt;  <tr> <td>U-44</td> <td>"</td> <td>"</td> <td>V-675</td> <td>122</td> <td>1/2</td> <td>2900</td> <td>1\"/&gt;  <tr> <td>U-45</td> <td>"</td> <td>"</td> <td>V-675</td> <td>122</td> <td>1/2</td> <td>2900</td> <td>1\"/&gt;  <tr> <td>U-46</td> <td>"</td> <td>"</td> <td>V-675</td> <td>122</td> <td>1/2</td> <td>2900</td> <td>1\"/&gt;  <tr> <td>U-47</td> <td>"</td> <td>"</td> <td>V-675</td> <td>122</td> <td>1/2</td> <td>2900</td> <td>1\"/&gt;  <tr> <td>U-48</td> <td>"</td> <td>"</td> <td>V-675</td> <td>122</td> <td>1/2</td> <td>2900</td> <td>1\"/&gt;  <tr> <td>U-49</td> <td>"</td> <td>"</td> <td>V-675</td> <td>122</td> <td>1/2</td> <td>2900</td> <td>1\"/&gt;  <tr> <td>U-50</td> <td>"</td> <td>"</td> <td>V-675</td> <td>122</td> <td>1/2</td> <td>2900</td> <td>1\"/&gt;  </td></tr></td></tr></td></tr></td></tr></td></tr></td></tr></td></tr></td></tr></td></tr></td></tr></td></tr></td></tr></td></tr></td></tr></td></tr></td></tr>  
  | U-35 | " | " | V-675  | 122 | 1/2 | 2900   | 1\"/> <tr> <td>U-36</td> <td>"</td> <td>"</td> <td>V-675</td> <td>122</td> <td>1/2</td> <td>2900</td> <td>1\"/&gt;  <tr> <td>U-37</td> <td>"</td> <td>"</td> <td>V-675</td> <td>122</td> <td>1/2</td> <td>2900</td> <td>1\"/&gt;  <tr> <td>U-38</td> <td>"</td> <td>"</td> <td>V-675</td> <td>122</td> <td>1/2</td> <td>2900</td> <td>1\"/&gt;  <tr> <td>U-39</td> <td>"</td> <td>"</td> <td>V-675</td> <td>122</td> <td>1/2</td> <td>2900</td> <td>1\"/&gt;  <tr> <td>U-40</td> <td>"</td> <td>"</td> <td>V-675</td> <td>122</td> <td>1/2</td> <td>2900</td> <td>1\"/&gt;  <tr> <td>U-41</td> <td>"</td> <td>"</td> <td>V-675</td> <td>122</td> <td>1/2</td> <td>2900</td> <td>1\"/&gt;  <tr> <td>U-42</td> <td>"</td> <td>"</td> <td>V-675</td> <td>122</td> <td>1/2</td> <td>2900</td> <td>1\"/&gt;  <tr> <td>U-43</td> <td>"</td> <td>"</td> <td>V-675</td> <td>122</td> <td>1/2</td> <td>2900</td> <td>1\"/&gt;  <tr> <td>U-44</td> <td>"</td> <td>"</td> <td>V-675</td> <td>122</td> <td>1/2</td> <td>2900</td> <td>1\"/&gt;  <tr> <td>U-45</td> <td>"</td> <td>"</td> <td>V-675</td> <td>122</td> <td>1/2</td> <td>2900</td> <td>1\"/&gt;  <tr> <td>U-46</td> <td>"</td> <td>"</td> <td>V-675</td> <td>122</td> <td>1/2</td> <td>2900</td> <td>1\"/&gt;  <tr> <td>U-47</td> <td>"</td> <td>"</td> <td>V-675</td> <td>122</td> <td>1/2</td> <td>2900</td> <td>1\"/&gt;  <tr> <td>U-48</td> <td>"</td> <td>"</td> <td>V-675</td> <td>122</td> <td>1/2</td> <td>2900</td> <td>1\"/&gt;  <tr> <td>U-49</td> <td>"</td> <td>"</td> <td>V-675</td> <td>122</td> <td>1/2</td> <td>2900</td> <td>1\"/&gt;  <tr> <td>U-50</td> <td>"</td> <td>"</td> <td>V-675</td> <td>122</td> <td>1/2</td> <td>2900</td> <td>1\"/&gt;  </td></tr></td></tr></td></tr></td></tr></td></tr></td></tr></td></tr></td></tr></td></tr></td></tr></td></tr></td></tr></td></tr></td></tr></td></tr>   | U-36 | " | " | V-675 | 122 | 1/2 | 2900    | 1\"/> <tr> <td>U-37</td> <td>"</td> <td>"</td> <td>V-675</td> <td>122</td> <td>1/2</td> <td>2900</td> <td>1\"/&gt;  <tr> <td>U-38</td> <td>"</td> <td>"</td> <td>V-675</td> <td>122</td> <td>1/2</td> <td>2900</td> <td>1\"/&gt;  <tr> <td>U-39</td> <td>"</td> <td>"</td> <td>V-675</td> <td>122</td> <td>1/2</td> <td>2900</td> <td>1\"/&gt;  <tr> <td>U-40</td> <td>"</td> <td>"</td> <td>V-675</td> <td>122</td> <td>1/2</td> <td>2900</td> <td>1\"/&gt;  <tr> <td>U-41</td> <td>"</td> <td>"</td> <td>V-675</td> <td>122</td> <td>1/2</td> <td>2900</td> <td>1\"/&gt;  <tr> <td>U-42</td> <td>"</td> <td>"</td> <td>V-675</td> <td>122</td> <td>1/2</td> <td>2900</td> <td>1\"/&gt;  <tr> <td>U-43</td> <td>"</td> <td>"</td> <td>V-675</td> <td>122</td> <td>1/2</td> <td>2900</td> <td>1\"/&gt;  <tr> <td>U-44</td> <td>"</td> <td>"</td> <td>V-675</td> <td>122</td> <td>1/2</td> <td>2900</td> <td>1\"/&gt;  <tr> <td>U-45</td> <td>"</td> <td>"</td> <td>V-675</td> <td>122</td> <td>1/2</td> <td>2900</td> <td>1\"/&gt;  <tr> <td>U-46</td> <td>"</td> <td>"</td> <td>V-675</td> <td>122</td> <td>1/2</td> <td>2900</td> <td>1\"/&gt;  <tr> <td>U-47</td> <td>"</td> <td>"</td> <td>V-675</td> <td>122</td> <td>1/2</td> <td>2900</td> <td>1\"/&gt;  <tr> <td>U-48</td> <td>"</td> <td>"</td> <td>V-675</td> <td>122</td> <td>1/2</td> <td>2900</td> <td>1\"/&gt;  <tr> <td>U-49</td> <td>"</td> <td>"</td> <td>V-675</td> <td>122</td> <td>1/2</td> <td>2900</td> <td>1\"/&gt;  <tr> <td>U-50</td> <td>"</td> <td>"</td> <td>V-675</td> <td>122</td> <td>1/2</td> <td>2900</td> <td>1\"/&gt;  </td></tr></td></tr></td></tr></td></tr></td></tr></td></tr></td></tr></td></tr></td></tr></td></tr></td></tr></td></tr></td></tr></td></tr>  
   | U-37 | " | " | V-675 | 122 | 1/2 | 2900   | 1\"/> <tr> <td>U-38</td> <td>"</td> <td>"</td> <td>V-675</td> <td>122</td> <td>1/2</td> <td>2900</td> <td>1\"/&gt;  <tr> <td>U-39</td> <td>"</td> <td>"</td> <td>V-675</td> <td>122</td> <td>1/2</td> <td>2900</td> <td>1\"/&gt;  <tr> <td>U-40</td> <td>"</td> <td>"</td> <td>V-675</td> <td>122</td> <td>1/2</td> <td>2900</td> <td>1\"/&gt;  <tr> <td>U-41</td> <td>"</td> <td>"</td> <td>V-675</td> <td>122</td> <td>1/2</td> <td>2900</td> <td>1\"/&gt;  <tr> <td>U-42</td> <td>"</td> <td>"</td> <td>V-675</td> <td>122</td> <td>1/2</td> <td>2900</td> <td>1\"/&gt;  <tr> <td>U-43</td> <td>"</td> <td>"</td> <td>V-675</td> <td>122</td> <td>1/2</td> <td>2900</td> <td>1\"/&gt;  <tr> <td>U-44</td> <td>"</td> <td>"</td> <td>V-675</td> <td>122</td> <td>1/2</td> <td>2900</td> <td>1\"/&gt;  <tr> <td>U-45</td> <td>"</td> <td>"</td> <td>V-675</td> <td>122</td> <td>1/2</td> <td>2900</td> <td>1\"/&gt;  <tr> <td>U-46</td> <td>"</td> <td>"</td> <td>V-675</td> <td>122</td> <td>1/2</td> <td>2900</td> <td>1\"/&gt;  <tr> <td>U-47</td> <td>"</td> <td>"</td> <td>V-675</td> <td>122</td> <td>1/2</td> <td>2900</td> <td>1\"/&gt;  <tr> <td>U-48</td> <td>"</td> <td>"</td> <td>V-675</td> <td>122</td> <td>1/2</td> <td>2900</td> <td>1\"/&gt;  <tr> <td>U-49</td> <td>"</td> <td>"</td> <td>V-675</td> <td>122</td> <td>1/2</td> <td>2900</td> <td>1\"/&gt;  <tr> <td>U-50</td> <td>"</td> <td>"</td> <td>V-675</td> <td>122</td> <td>1/2</td> <td>2900</td> <td>1\"/&gt;  </td></tr></td></tr></td></tr></td></tr></td></tr></td></tr></td></tr></td></tr></td></tr></td></tr></td></tr></td></tr></td></tr>   | U-38 | " | " | V-675 | 122 | 1/2 | 2900    | 1\"/> <tr> <td>U-39</td> <td>"</td> <td>"</td> <td>V-675</td> <td>122</td> <td>1/2</td> <td>2900</td> <td>1\"/&gt;  <tr> <td>U-40</td> <td>"</td> <td>"</td> <td>V-675</td> <td>122</td> <td>1/2</td> <td>2900</td> <td>1\"/&gt;  <tr> <td>U-41</td> <td>"</td> <td>"</td> <td>V-675</td> <td>122</td> <td>1/2</td> <td>2900</td> <td>1\"/&gt;  <tr> <td>U-42</td> <td>"</td> <td>"</td> <td>V-675</td> <td>122</td> <td>1/2</td> <td>2900</td> <td>1\"/&gt;  <tr> <td>U-43</td> <td>"</td> <td>"</td> <td>V-675</td> <td>122</td> <td>1/2</td> <td>2900</td> <td>1\"/&gt;  <tr> <td>U-44</td> <td>"</td> <td>"</td> <td>V-675</td> <td>122</td> <td>1/2</td> <td>2900</td> <td>1\"/&gt;  <tr> <td>U-45</td> <td>"</td> <td>"</td> <td>V-675</td> <td>122</td> <td>1/2</td> <td>2900</td> <td>1\"/&gt;  <tr>
<td>U-46</td> <td>"</td> <td>"</td> <td>V-675</td> <td>122</td> <td>1/2</td> <td>2900</td> <td>1\"/&gt;  <tr> <td>U-47</td> <td>"</td> <td>"</td> <td>V-675</td> <td>122</td> <td>1/2</td> <td>2900</td> <td>1\"/&gt;  <tr> <td>U-48</td> <td>"</td> <td>"</td> <td>V-675</td> <td>122</td> <td>1/2</td> <td>2900</td> <td>1\"/&gt;  <tr> <td>U-49</td> <td>"</td> <td>"</td> <td>V-675</td> <td>122</td> <td>1/2</td> <td>2900</td> <td>1\"/&gt;  <tr> <td>U-50</td> <td>"</td> <td>"</td> <td>V-675</td> <td>122</td> <td>1/2</td> <td>2900</td> <td>1\"/&gt;  </td></tr></td></tr></td></tr></td></tr></td></tr></td></tr></td></tr></td></tr></td></tr></td></tr></td></tr></td></tr>  | U-39 | "           | "      | V-675  | 122  | 1/2 | 2900 | 1\"/> <tr> <td>U-40</td> <td>"</td> <td>"</td> <td>V-675</td> <td>122</td> <td>1/2</td> <td>2900</td> <td>1\"/&gt;  <tr> <td>U-41</td> <td>"</td> <td>"</td> <td>V-675</td> <td>122</td> <td>1/2</td> <td>2900</td> <td>1\"/&gt;  <tr> <td>U-42</td> <td>"</td> <td>"</td> <td>V-675</td> <td>122</td> <td>1/2</td> <td>2900</td> <td>1\"/&gt;  <tr> <td>U-43</td> <td>"</td> <td>"</td> <td>V-675</td> <td>122</td> <td>1/2</td> <td>2900</td> <td>1\"/&gt;  <tr> <td>U-44</td> <td>"</td> <td>"</td> <td>V-675</td> <td>122</td> <td>1/2</td> <td>2900</td> <td>1\"/&gt;  <tr> <td>U-45</td> <td>"</td> <td>"</td> <td>V-675</td> <td>122</td> <td>1/2</td> <td>2900</td> <td>1\"/&gt;  <tr> <td>U-46</td> <td>"</td> <td>"</td> <td>V-675</td> <td>122</td> <td>1/2</td> <td>2900</td> <td>1\"/&gt;  <tr> <td>U-47</td> <td>"</td> <td>"</td> <td>V-675</td> <td>122</td> <td>1/2</td> <td>2900</td> <td>1\"/&gt;  <tr> <td>U-48</td> <td>"</td> <td>"</td> <td>V-675</td> <td>122</td> <td>1/2</td> <td>2900</td> <td>1\"/&gt;  <tr> <td>U-49</td> <td>"</td> <td>"</td> <td>V-675</td> <td>122</td> <td>1/2</td> <td>2900</td> <td>1\"/&gt;  <tr> <td>U-50</td> <td>"</td> <td>"</td> <td>V-675</td> <td>122</td> <td>1/2</td> <td>2900</td> <td>1\"/&gt;  </td></tr></td></tr></td></tr></td></tr></td></tr></td></tr></td></tr></td></tr></td></tr></td></tr></td></tr>   
  | U-40 | " | " | V-675  | 122  | 1/2 | 2900 | 1\"/> <tr> <td>U-41</td> <td>"</td> <td>"</td> <td>V-675</td> <td>122</td> <td>1/2</td> <td>2900</td> <td>1\"/&gt;  <tr> <td>U-42</td> <td>"</td> <td>"</td> <td>V-675</td> <td>122</td> <td>1/2</td> <td>2900</td> <td>1\"/&gt;  <tr> <td>U-43</td> <td>"</td> <td>"</td> <td>V-675</td> <td>122</td> <td>1/2</td> <td>2900</td> <td>1\"/&gt;  <tr> <td>U-44</td> <td>"</td> <td>"</td> <td>V-675</td> <td>122</td> <td>1/2</td> <td>2900</td> <td>1\"/&gt;  <tr> <td>U-45</td> <td>"</td> <td>"</td> <td>V-675</td> <td>122</td> <td>1/2</td> <td>2900</td> <td>1\"/&gt;  <tr> <td>U-46</td> <td>"</td> <td>"</td> <td>V-675</td> <td>122</td> <td>1/2</td> <td>2900</td> <td>1\"/&gt;  <tr> <td>U-47</td> <td>"</td> <td>"</td> <td>V-675</td> <td>122</td> <td>1/2</td> <td>2900</td> <td>1\"/&gt;  <tr> <td>U-48</td> <td>"</td> <td>"</td> <td>V-675</td> <td>122</td> <td>1/2</td> <td>2900</td> <td>1\"/&gt;  <tr> <td>U-49</td> <td>"</td> <td>"</td> <td>V-675</td> <td>122</td> <td>1/2</td> <td>2900</td> <td>1\"/&gt;  <tr> <td>U-50</td> <td>"</td> <td>"</td> <td>V-675</td> <td>122</td> <td>1/2</td> <td>2900</td> <td>1\"/&gt;  </td></tr></td></tr></td></tr></td></tr></td></tr></td></tr></td></tr></td></tr></td></tr></td></tr>   | U-41 | " | " | V-675  | 122 | 1/2 | 2900 | 1\"/> <tr> <td>U-42</td> <td>"</td> <td>"</td> <td>V-675</td> <td>122</td> <td>1/2</td> <td>2900</td> <td>1\"/&gt;  <tr> <td>U-43</td> <td>"</td> <td>"</td> <td>V-675</td> <td>122</td> <td>1/2</td> <td>2900</td> <td>1\"/&gt;  <tr> <td>U-44</td> <td>"</td> <td>"</td> <td>V-675</td> <td>122</td> <td>1/2</td> <td>2900</td> <td>1\"/&gt;  <tr> <td>U-45</td> <td>"</td> <td>"</td> <td>V-675</td> <td>122</td> <td>1/2</td> <td>2900</td> <td>1\"/&gt;  <tr> <td>U-46</td> <td>"</td> <td>"</td> <td>V-675</td> <td>122</td> <td>1/2</td> <td>2900</td> <td>1\"/&gt;  <tr> <td>U-47</td> <td>"</td> <td>"</td> <td>V-675</td> <td>122</td> <td>1/2</td> <td>2900</td> <td>1\"/&gt;  <tr> <td>U-48</td> <td>"</td> <td>"</td> <td>V-675</td> <td>122</td> <td>1/2</td> <td>2900</td> <td>1\"/&gt;  <tr> <td>U-49</td> <td>"</td> <td>"</td> <td>V-675</td> <td>122</td> <td>1/2</td> <td>2900</td> <td>1\"/&gt;  <tr> <td>U-50</td> <td>"</td> <td>"</td> <td>V-675</td> <td>122</td> <td>1/2</td> <td>2900</td> <td>1\"/&gt;  </td></tr></td></tr></td></tr></td></tr></td></tr></td></tr></td></tr></td></tr></td></tr>   
   | U-42 | " | " | V-675 | 122 | 1/2 | 2900 | 1\"/> <tr> <td>U-43</td> <td>"</td> <td>"</td> <td>V-675</td> <td>122</td> <td>1/2</td> <td>2900</td> <td>1\"/&gt;  <tr> <td>U-44</td> <td>"</td> <td>"</td> <td>V-675</td> <td>122</td> <td>1/2</td> <td>2900</td> <td>1\"/&gt;  <tr> <td>U-45</td> <td>"</td> <td>"</td> <td>V-675</td> <td>122</td> <td>1/2</td> <td>2900</td> <td>1\"/&gt;  <tr> <td>U-46</td> <td>"</td> <td>"</td> <td>V-675</td> <td>122</td> <td>1/2</td> <td>2900</td> <td>1\"/&gt;  <tr> <td>U-47</td> <td>"</td> <td>"</td> <td>V-675</td> <td>122</td> <td>1/2</td> <td>2900</td> <td>1\"/&gt;  <tr> <td>U-48</td> <td>"</td> <td>"</td> <td>V-675</td> <td>122</td> <td>1/2</td> <td>2900</td> <td>1\"/&gt;  <tr> <td>U-49</td> <td>"</td> <td>"</td> <td>V-675</td> <td>122</td> <td>1/2</td> <td>2900</td> <td>1\"/&gt;  <tr> <td>U-50</td> <td>"</td> <td>"</td> <td>V-675</td> <td>122</td> <td>1/2</td> <td>2900</td> <td>1\"/&gt;  </td></tr></td></tr></td></tr></td></tr></td></tr></td></tr></td></tr></td></tr>  | U-43 | " | " | V-675 | 122 | 1/2 | 2900 | 1\"/> <tr> <td>U-44</td> <td>"</td> <td>"</td> <td>V-675</td> <td>122</td> <td>1/2</td> <td>2900</td> <td>1\"/&gt;  <tr> <td>U-45</td> <td>"</td> <td>"</td> <td>V-675</td> <td>122</td> <td>1/2</td> <td>2900</td> <td>1\"/&gt;  <tr> <td>U-46</td> <td>"</td> <td>"</td> <td>V-675</td> <td>122</td> <td>1/2</td> <td>2900</td> <td>1\"/&gt;  <tr> <td>U-47</td> <td>"</td> <td>"</td> <td>V-675</td> <td>122</td> <td>1/2</td> <td>2900</td> <td>1\"/&gt;  <tr> <td>U-48</td> <td>"</td> <td>"</td> <td>V-675</td> <td>122</td> <td>1/2</td> <td>2900</td> <td>1\"/&gt;  <tr> <td>U-49</td> <td>"</td> <td>"</td> <td>V-675</td> <td>122</td> <td>1/2</td> <td>2900</td> <td>1\"/&gt;  <tr> <td>U-50</td> <td>"</td> <td>"</td> <td>V-675</td> <td>122</td> <td>1/2</td> <td>2900</td> <td>1\"/&gt;  </td></tr></td></tr></td></tr></td></tr></td></tr></td></tr></td></tr>  
  | U-44 | " | " | V-675 | 122 | 1/2 | 2900 | 1\"/> <tr> <td>U-45</td> <td>"</td> <td>"</td> <td>V-675</td> <td>122</td> <td>1/2</td> <td>2900</td> <td>1\"/&gt;  <tr> <td>U-46</td> <td>"</td> <td>"</td> <td>V-675</td> <td>122</td> <td>1/2</td> <td>2900</td> <td>1\"/&gt;  <tr> <td>U-47</td> <td>"</td> <td>"</td> <td>V-675</td> <td>122</td> <td>1/2</td> <td>2900</td> <td>1\"/&gt;  <tr> <td>U-48</td> <td>"</td> <td>"</td> <td>V-675</td> <td>122</td> <td>1/2</td> <td>2900</td> <td>1\"/&gt;  <tr> <td>U-49</td> <td>"</td> <td>"</td> <td>V-675</td> <td>122</td> <td>1/2</td> <td>2900</td> <td>1\"/&gt;  <tr> <td>U-50</td> <td>"</td> <td>"</td> <td>V-675</td> <td>122</td> <td>1/2</td> <td>2900</td> <td>1\"/&gt;  </td></tr></td></tr></td></tr></td></tr></td></tr></td></tr>  | U-45 | " | " | V-675 | 122 | 1/2 | 2900 | 1\"/> <tr> <td>U-46</td> <td>"</td> <td>"</td> <td>V-675</td> <td>122</td> <td>1/2</td> <td>2900</td> <td>1\"/&gt;  <tr> <td>U-47</td> <td>"</td> <td>"</td> <td>V-675</td> <td>122</td> <td>1/2</td> <td>2900</td> <td>1\"/&gt;  <tr> <td>U-48</td> <td>"</td> <td>"</td> <td>V-675</td> <td>122</td> <td>1/2</td> <td>2900</td> <td>1\"/&gt;  <tr> <td>U-49</td> <td>"</td> <td>"</td> <td>V-675</td> <td>122</td> <td>1/2</td> <td>2900</td> <td>1\"/&gt;  <tr> <td>U-50</td> <td>"</td> <td>"</td> <td>V-675</td> <td>122</td> <td>1/2</td> <td>2900</td> <td>1\"/&gt;  </td></tr></td></tr></td></tr></td></tr></td></tr>   
   | U-46 | " | " | V-675 | 122 | 1/2 | 2900 | 1\"/> <tr> <td>U-47</td> <td>"</td> <td>"</td> <td>V-675</td> <td>122</td> <td>1/2</td> <td>2900</td> <td>1\"/&gt;  <tr> <td>U-48</td> <td>"</td> <td>"</td> <td>V-675</td> <td>122</td> <td>1/2</td> <td>2900</td> <td>1\"/&gt;  <tr> <td>U-49</td> <td>"</td> <td>"</td> <td>V-675</td> <td>122</td> <td>1/2</td> <td>2900</td> <td>1\"/&gt;  <tr> <td>U-50</td> <td>"</td> <td>"</td> <td>V-675</td> <td>122</td> <td>1/2</td> <td>2900</td> <td>1\"/&gt;  </td></tr></td></tr></td></tr></td></tr>  | U-47 | " | " | V-675 | 122 | 1/2 | 2900 | 1\"/> <tr> <td>U-48</td> <td>"</td> <td>"</td> <td>V-675</td> <td>122</td> <td>1/2</td> <td>2900</td> <td>1\"/&gt;  <tr> <td>U-49</td> <td>"</td> <td>"</td> <td>V-675</td> <td>122</td> <td>1/2</td> <td>2900</td> <td>1\"/&gt;  <tr> <td>U-50</td> <td>"</td> <td>"</td> <td>V-675</td> <td>122</td> <td>1/2</td> <td>2900</td> <td>1\"/&gt;  </td></tr></td></tr></td></tr>  
  | U-48 | " | " | V-675 | 122 | 1/2 | 2900 | 1\"/> <tr> <td>U-49</td> <td>"</td> <td>"</td> <td>V-675</td> <td>122</td> <td>1/2</td> <td>2900</td> <td>1\"/&gt;  <tr> <td>U-50</td> <td>"</td> <td>"</td> <td>V-675</td> <td>122</td> <td>1/2</td> <td>2900</td> <td>1\"/&gt;  </td></tr></td></tr>   | U-49 | " | " | V-675 | 122 | 1/2 | 2900 | 1\"/> <tr> <td>U-50</td> <td>"</td> <td>"</td> <td>V-675</td> <td>122</td> <td>1/2</td> <td>2900</td> <td>1\"/&gt;  </td></tr>  
  | U-50 | " | " | V-675 | 122 | 1/2 | 2900 | 1\"/>  |      |   |   |       |     |     |      | | | | | | | | | | | | | | | | | | | | | | | | | | | | | | | | | | | | | | | | | | | | | | | | | |
  |      |   |   |       |     |     |      |  |      |   |   |       |     |     |      |   
  |      |   |   |       |     |     |      |  |      |   |   |       |     |     |      |  |      |   |   |       |     |     |      |  
   |      |   |   |       |     |     |      |  |      |   |   |       |     |     |      |  
   |      |   |   |       |     |     |      |  |      |   |   |       |     |     |      |  |      |   |   |       |     |     |      |   
  |      |   |   |       |     |     |      |  |      |   |   |       |     |     |      |  |      |   |   |       |     |     |      |  |      |   |   |       |     |     |      |   
  |      |   |   |       |     |     |      |  |      |   |   |       |     |     |      |  |      |   |   |       |     |     |      |  
   |      |   |   |       |     |     |      |  |      |   |   |       |     |     |      |  |      |   |   |       |     |     |      |  |      |   |   |       |     |     |      |  |      |   |   |       |     |     |      |   
  |      |   |   |       |     |     |      |  |      |   |   |       |     |     |      |  |      |   |   |       |     |     |      |  |      |   |   |       |     |     |      |  |      |   |   |       |     |     |      |  |      |   |   |       |     |     |      |  |      |   |   |       |     |     |      |  
   |      |   |   |       |     |     |      |  |      |   |   |       |     |     |      |  |      |   |   |       |     |     |      |  |      |   |   |       |     |     |      |  |      |   |   |       |     |     |      |  |      |   |   |       |     |     |      |  |      |   |   |       |     |     |      |  |      |   |   |       |     |     |      |       |
| U-34 | "             | "                       | V-675    | 122  | 1/2           | 2900    | 1\"/> <tr> <td>U-35</td> <td>"</td> <td>"</td> <td>V-675</td> <td>122</td> <td>1/2</td> <td>2900</td> <td>1\"/&gt;  <tr> <td>U-36</td> <td>"</td> <td>"</td> <td>V-675</td> <td>122</td> <td>1/2</td> <td>2900</td> <td>1\"/&gt;  <tr> <td>U-37</td> <td>"</td> <td>"</td> <td>V-675</td> <td>122</td> <td>1/2</td> <td>2900</td> <td>1\"/&gt;  <tr> <td>U-38</td> <td>"</td> <td>"</td> <td>V-675</td> <td>122</td> <td>1/2</td> <td>2900</td> <td>1\"/&gt;  <tr> <td>U-39</td> <td>"</td> <td>"</td> <td>V-675</td> <td>122</td> <td>1/2</td> <td>2900</td> <td>1\"/&gt;  <tr> <td>U-40</td> <td>"</td> <td>"</td> <td>V-675</td> <td>122</td> <td>1/2</td> <td>2900</td> <td>1\"/&gt;  <tr> <td>U-41</td> <td>"</td> <td>"</td> <td>V-675</td> <td>122</td> <td>1/2</td> <td>2900</td> <td>1\"/&gt;  <tr> <td>U-42</td> <td>"</td> <td>"</td> <td>V-675</td> <td>122</td> <td>1/2</td> <td>2900</td> <td>1\"/&gt;  <tr> <td>U-43</td> <td>"</td> <td>"</td> <td>V-675</td> <td>122</td> <td>1/2</td> <td>2900</td> <td>1\"/&gt;  <tr> <td>U-44</td> <td>"</td> <td>"</td> <td>V-675</td> <td>122</td> <td>1/2</td> <td>2900</td> <td>1\"/&gt;  <tr> <td>U-45</td> <td>"</td> <td>"</td> <td>V-675</td> <td>122</td> <td>1/2</td> <td>2900</td> <td>1\"/&gt;  <tr> <td>U-46</td> <td>"</td> <td>"</td> <td>V-675</td> <td>122</td> <td>1/2</td> <td>2900</td> <td>1\"/&gt;  <tr> <td>U-47</td> <td>"</td> <td>"</td> <td>V-675</td> <td>122</td> <td>1/2</td> <td>2900</td> <td>1\"/&gt;  <tr> <td>U-48</td> <td>"</td> <td>"</td> <td>V-675</td> <td>122</td> <td>1/2</td> <td>2900</td> <td>1\"/&gt;  <tr> <td>U-49</td> <td>"</td> <td>"</td> <td>V-675</td> <td>122</td> <td>1/2</td> <td>2900</td> <td>1\"/&gt;  <tr> <td>U-50</td> <td>"</td> <td>"</td> <td>V-675</td> <td>122</td> <td>1/2</td> <td>2900</td> <td>1\"/&gt;  </td></tr></td></tr></td></tr></td></tr></td></tr></td></tr></td></tr></td></tr></td></tr></td></tr></td></tr></td></tr></td></tr></td></tr></td></tr></td></tr>  | U-35 | " | " | V-675  | 122  | 1/2 | 2900   | 1\"/> <tr> <td>U-36</td> <td>"</td> <td>"</td> <td>V-675</td> <td>122</td> <td>1/2</td> <td>2900</td> <td>1\"/&gt;  <tr> <td>U-37</td> <td>"</td> <td>"</td> <td>V-675</td> <td>122</td> <td>1/2</td> <td>2900</td> <td>1\"/&gt;  <tr> <td>U-38</td> <td>"</td> <td>"</td> <td>V-675</td> <td>122</td> <td>1/2</td> <td>2900</td> <td>1\"/&gt;  <tr> <td>U-39</td> <td>"</td> <td>"</td> <td>V-675</td> <td>122</td> <td>1/2</td> <td>2900</td> <td>1\"/&gt;  <tr> <td>U-40</td> <td>"</td> <td>"</td> <td>V-675</td> <td>122</td> <td>1/2</td> <td>2900</td> <td>1\"/&gt;  <tr> <td>U-41</td> <td>"</td> <td>"</td> <td>V-675</td> <td>122</td> <td>1/2</td> <td>2900</td> <td>1\"/&gt;  <tr> <td>U-42</td> <td>"</td> <td>"</td> <td>V-675</td> <td>122</td> <td>1/2</td> <td>2900</td> <td>1\"/&gt;  <tr> <td>U-43</td> <td>"</td> <td>"</td> <td>V-675</td> <td>122</td> <td>1/2</td> <td>2900</td> <td>1\"/&gt;  <tr> <td>U-44</td> <td>"</td> <td>"</td> <td>V-675</td> <td>122</td> <td>1/2</td> <td>2900</td> <td>1\"/&gt;  <tr> <td>U-45</td> <td>"</td> <td>"</td> <td>V-675</td> <td>122</td> <td>1/2</td> <td>2900</td> <td>1\"/&gt;  <tr> <td>U-46</td> <td>"</td> <td>"</td> <td>V-675</td> <td>122</td> <td>1/2</td> <td>2900</td> <td>1\"/&gt;  <tr> <td>U-47</td> <td>"</td> <td>"</td> <td>V-675</td> <td>122</td> <td>1/2</td> <td>2900</td> <td>1\"/&gt;  <tr> <td>U-48</td> <td>"</td> <td>"</td> <td>V-675</td> <td>122</td> <td>1/2</td> <td>2900</td> <td>1\"/&gt;  <tr> <td>U-49</td> <td>"</td> <td>"</td> <td>V-675</td> <td>122</td> <td>1/2</td> <td>2900</td> <td>1\"/&gt;  <tr> <td>U-50</td> <td>"</td> <td>"</td> <td>V-675</td> <td>122</td> <td>1/2</td> <td>2900</td> <td>1\"/&gt;  </td></tr></td></tr></td></tr></td></tr></td></tr></td></tr></td></tr></td></tr></td></tr></td></tr></td></tr></td></tr></td></tr></td></tr></td></tr>  
  | U-36 | " | " | V-675  | 122 | 1/2 | 2900   | 1\"/> <tr> <td>U-37</td> <td>"</td> <td>"</td> <td>V-675</td> <td>122</td> <td>1/2</td> <td>2900</td> <td>1\"/&gt;  <tr> <td>U-38</td> <td>"</td> <td>"</td> <td>V-675</td> <td>122</td> <td>1/2</td> <td>2900</td> <td>1\"/&gt;  <tr> <td>U-39</td> <td>"</td> <td>"</td> <td>V-675</td> <td>122</td> <td>1/2</td> <td>2900</td> <td>1\"/&gt;  <tr> <td>U-40</td> <td>"</td> <td>"</td> <td>V-675</td> <td>122</td> <td>1/2</td> <td>2900</td> <td>1\"/&gt;  <tr> <td>U-41</td> <td>"</td> <td>"</td> <td>V-675</td> <td>122</td> <td>1/2</td> <td>2900</td> <td>1\"/&gt;  <tr> <td>U-42</td> <td>"</td> <td>"</td> <td>V-675</td> <td>122</td> <td>1/2</td> <td>2900</td> <td>1\"/&gt;  <tr> <td>U-43</td> <td>"</td> <td>"</td> <td>V-675</td> <td>122</td> <td>1/2</td> <td>2900</td> <td>1\"/&gt;  <tr> <td>U-44</td> <td>"</td> <td>"</td> <td>V-675</td> <td>122</td> <td>1/2</td> <td>2900</td> <td>1\"/&gt;  <tr> <td>U-45</td> <td>"</td> <td>"</td> <td>V-675</td> <td>122</td> <td>1/2</td> <td>2900</td> <td>1\"/&gt;  <tr> <td>U-46</td> <td>"</td> <td>"</td> <td>V-675</td> <td>122</td> <td>1/2</td> <td>2900</td> <td>1\"/&gt;  <tr> <td>U-47</td> <td>"</td> <td>"</td> <td>V-675</td> <td>122</td> <td>1/2</td> <td>2900</td> <td>1\"/&gt;  <tr> <td>U-48</td> <td>"</td> <td>"</td> <td>V-675</td> <td>122</td> <td>1/2</td> <td>2900</td> <td>1\"/&gt;  <tr> <td>U-49</td> <td>"</td> <td>"</td> <td>V-675</td> <td>122</td> <td>1/2</td> <td>2900</td> <td>1\"/&gt;  <tr> <td>U-50</td> <td>"</td> <td>"</td> <td>V-675</td> <td>122</td> <td>1/2</td> <td>2900</td> <td>1\"/&gt;  </td></tr></td></tr></td></tr></td></tr></td></tr></td></tr></td></tr></td></tr></td></tr></td></tr></td></tr></td></tr></td></tr></td></tr>   | U-37 | " | " | V-675 | 122 | 1/2 | 2900    | 1\"/> <tr> <td>U-38</td> <td>"</td> <td>"</td> <td>V-675</td> <td>122</td> <td>1/2</td> <td>2900</td> <td>1\"/&gt;  <tr> <td>U-39</td> <td>"</td> <td>"</td> <td>V-675</td> <td>122</td> <td>1/2</td> <td>2900</td> <td>1\"/&gt;  <tr> <td>U-40</td> <td>"</td> <td>"</td> <td>V-675</td> <td>122</td> <td>1/2</td> <td>2900</td> <td>1\"/&gt;  <tr> <td>U-41</td> <td>"</td> <td>"</td> <td>V-675</td> <td>122</td> <td>1/2</td> <td>2900</td> <td>1\"/&gt;  <tr> <td>U-42</td> <td>"</td> <td>"</td> <td>V-675</td> <td>122</td> <td>1/2</td> <td>2900</td> <td>1\"/&gt;  <tr> <td>U-43</td> <td>"</td> <td>"</td> <td>V-675</td> <td>122</td> <td>1/2</td> <td>2900</td> <td>1\"/&gt;  <tr> <td>U-44</td> <td>"</td> <td>"</td> <td>V-675</td> <td>122</td> <td>1/2</td> <td>2900</td> <td>1\"/&gt;  <tr> <td>U-45</td> <td>"</td> <td>"</td> <td>V-675</td> <td>122</td> <td>1/2</td> <td>2900</td> <td>1\"/&gt;  <tr> <td>U-46</td> <td>"</td> <td>"</td> <td>V-675</td> <td>122</td> <td>1/2</td> <td>2900</td> <td>1\"/&gt;  <tr> <td>U-47</td> <td>"</td> <td>"</td> <td>V-675</td> <td>122</td> <td>1/2</td> <td>2900</td> <td>1\"/&gt;  <tr> <td>U-48</td> <td>"</td> <td>"</td> <td>V-675</td> <td>122</td> <td>1/2</td> <td>2900</td> <td>1\"/&gt;  <tr> <td>U-49</td> <td>"</td> <td>"</td> <td>V-675</td> <td>122</td> <td>1/2</td> <td>2900</td> <td>1\"/&gt;  <tr> <td>U-50</td> <td>"</td> <td>"</td> <td>V-675</td> <td>122</td> <td>1/2</td> <td>2900</td> <td>1\"/&gt;  </td></tr></td></tr></td></tr></td></tr></td></tr></td></tr></td></tr></td></tr></td></tr></td></tr></td></tr></td></tr></td></tr>  
   | U-38 | " | " | V-675 | 122 | 1/2 | 2900   | 1\"/> <tr> <td>U-39</td> <td>"</td> <td>"</td> <td>V-675</td> <td>122</td> <td>1/2</td> <td>2900</td> <td>1\"/&gt;  <tr> <td>U-40</td> <td>"</td> <td>"</td> <td>V-675</td> <td>122</td> <td>1/2</td> <td>2900</td> <td>1\"/&gt;  <tr> <td>U-41</td> <td>"</td> <td>"</td> <td>V-675</td> <td>122</td> <td>1/2</td> <td>2900</td> <td>1\"/&gt;  <tr> <td>U-42</td> <td>"</td> <td>"</td> <td>V-675</td> <td>122</td> <td>1/2</td> <td>2900</td> <td>1\"/&gt;  <tr> <td>U-43</td> <td>"</td> <td>"</td> <td>V-675</td> <td>122</td> <td>1/2</td> <td>2900</td> <td>1\"/&gt;  <tr> <td>U-44</td> <td>"</td> <td>"</td> <td>V-675</td> <td>122</td> <td>1/2</td> <td>2900</td> <td>1\"/&gt;  <tr> <td>U-45</td> <td>"</td> <td>"</td> <td>V-675</td> <td>122</td> <td>1/2</td> <td>2900</td> <td>1\"/&gt;  <tr> <td>U-46</td> <td>"</td> <td>"</td> <td>V-675</td> <td>122</td> <td>1/2</td> <td>2900</td> <td>1\"/&gt;  <tr> <td>U-47</td> <td>"</td> <td>"</td> <td>V-675</td> <td>122</td> <td>1/2</td> <td>2900</td> <td>1\"/&gt;  <tr> <td>U-48</td> <td>"</td> <td>"</td> <td>V-675</td> <td>122</td> <td>1/2</td> <td>2900</td> <td>1\"/&gt;  <tr> <td>U-49</td> <td>"</td> <td>"</td> <td>V-675</td> <td>122</td> <td>1/2</td> <td>2900</td> <td>1\"/&gt;  <tr> <td>U-50</td> <td>"</td> <td>"</td> <td>V-675</td> <td>122</td> <td>1/2</td> <td>2900</td> <td>1\"/&gt;  </td></tr></td></tr></td></tr></td></tr></td></tr></td></tr></td></tr></td></tr></td></tr></td></tr></td></tr></td></tr>   | U-39 | " | " | V-675 | 122 | 1/2 | 2900    | 1\"/> <tr> <td>U-40</td> <td>"</td> <td>"</td> <td>V-675</td> <td>122</td> <td>1/2</td> <td>2900</td> <td>1\"/&gt;  <tr> <td>U-41</td> <td>"</td> <td>"</td> <td>V-675</td> <td>122</td> <td>1/2</td> <td>2900</td> <td>1\"/&gt;  <tr> <td>U-42</td> <td>"</td> <td>"</td> <td>V-675</td> <td>122</td> <td>1/2</td> <td>2900</td> <td>1\"/&gt;  <tr> <td>U-43</td> <td>"</td> <td>"</td> <td>V-675</td> <td>122</td> <td>1/2</td> <td>2900</td> <td>1\"/&gt;  <tr> <td>U-44</td> <td>"</td> <td>"</td> <td>V-675</td> <td>122</td> <td>1/2</td> <td>2900</td> <td>1\"/&gt;  <tr> <td>U-45</td> <td>"</td> <td>"</td> <td>V-675</td> <td>122</td> <td>1/2</td> <td>2900</td> <td>1\"/&gt;  <tr> <td>U-46</td> <td>"</td> <td>"</td> <td>V-675</td> <td>122</td> <td>1/2</td> <td>2900</td> <td>1\"/&gt;  <tr>
<td>U-47</td> <td>"</td> <td>"</td> <td>V-675</td> <td>122</td> <td>1/2</td> <td>2900</td> <td>1\"/&gt;  <tr> <td>U-48</td> <td>"</td> <td>"</td> <td>V-675</td> <td>122</td> <td>1/2</td> <td>2900</td> <td>1\"/&gt;  <tr> <td>U-49</td> <td>"</td> <td>"</td> <td>V-675</td> <td>122</td> <td>1/2</td> <td>2900</td> <td>1\"/&gt;  <tr> <td>U-50</td> <td>"</td> <td>"</td> <td>V-675</td> <td>122</td> <td>1/2</td> <td>2900</td> <td>1\"/&gt;  </td></tr></td></tr></td></tr></td></tr></td></tr></td></tr></td></tr></td></tr></td></tr></td></tr></td></tr>  | U-40 | "           | "      | V-675  | 122  | 1/2 | 2900 | 1\"/> <tr> <td>U-41</td> <td>"</td> <td>"</td> <td>V-675</td> <td>122</td> <td>1/2</td> <td>2900</td> <td>1\"/&gt;  <tr> <td>U-42</td> <td>"</td> <td>"</td> <td>V-675</td> <td>122</td> <td>1/2</td> <td>2900</td> <td>1\"/&gt;  <tr> <td>U-43</td> <td>"</td> <td>"</td> <td>V-675</td> <td>122</td> <td>1/2</td> <td>2900</td> <td>1\"/&gt;  <tr> <td>U-44</td> <td>"</td> <td>"</td> <td>V-675</td> <td>122</td> <td>1/2</td> <td>2900</td> <td>1\"/&gt;  <tr> <td>U-45</td> <td>"</td> <td>"</td> <td>V-675</td> <td>122</td> <td>1/2</td> <td>2900</td> <td>1\"/&gt;  <tr> <td>U-46</td> <td>"</td> <td>"</td> <td>V-675</td> <td>122</td> <td>1/2</td> <td>2900</td> <td>1\"/&gt;  <tr> <td>U-47</td> <td>"</td> <td>"</td> <td>V-675</td> <td>122</td> <td>1/2</td> <td>2900</td> <td>1\"/&gt;  <tr> <td>U-48</td> <td>"</td> <td>"</td> <td>V-675</td> <td>122</td> <td>1/2</td> <td>2900</td> <td>1\"/&gt;  <tr> <td>U-49</td> <td>"</td> <td>"</td> <td>V-675</td> <td>122</td> <td>1/2</td> <td>2900</td> <td>1\"/&gt;  <tr> <td>U-50</td> <td>"</td> <td>"</td> <td>V-675</td> <td>122</td> <td>1/2</td> <td>2900</td> <td>1\"/&gt;  </td></tr></td></tr></td></tr></td></tr></td></tr></td></tr></td></tr></td></tr></td></tr></td></tr>   
  | U-41 | " | " | V-675  | 122  | 1/2 | 2900 | 1\"/> <tr> <td>U-42</td> <td>"</td> <td>"</td> <td>V-675</td> <td>122</td> <td>1/2</td> <td>2900</td> <td>1\"/&gt;  <tr> <td>U-43</td> <td>"</td> <td>"</td> <td>V-675</td> <td>122</td> <td>1/2</td> <td>2900</td> <td>1\"/&gt;  <tr> <td>U-44</td> <td>"</td> <td>"</td> <td>V-675</td> <td>122</td> <td>1/2</td> <td>2900</td> <td>1\"/&gt;  <tr> <td>U-45</td> <td>"</td> <td>"</td> <td>V-675</td> <td>122</td> <td>1/2</td> <td>2900</td> <td>1\"/&gt;  <tr> <td>U-46</td> <td>"</td> <td>"</td> <td>V-675</td> <td>122</td> <td>1/2</td> <td>2900</td> <td>1\"/&gt;  <tr> <td>U-47</td> <td>"</td> <td>"</td> <td>V-675</td> <td>122</td> <td>1/2</td> <td>2900</td> <td>1\"/&gt;  <tr> <td>U-48</td> <td>"</td> <td>"</td> <td>V-675</td> <td>122</td> <td>1/2</td> <td>2900</td> <td>1\"/&gt;  <tr> <td>U-49</td> <td>"</td> <td>"</td> <td>V-675</td> <td>122</td> <td>1/2</td> <td>2900</td> <td>1\"/&gt;  <tr> <td>U-50</td> <td>"</td> <td>"</td> <td>V-675</td> <td>122</td> <td>1/2</td> <td>2900</td> <td>1\"/&gt;  </td></tr></td></tr></td></tr></td></tr></td></tr></td></tr></td></tr></td></tr></td></tr>   | U-42 | " | " | V-675  | 122 | 1/2 | 2900 | 1\"/> <tr> <td>U-43</td> <td>"</td> <td>"</td> <td>V-675</td> <td>122</td> <td>1/2</td> <td>2900</td> <td>1\"/&gt;  <tr> <td>U-44</td> <td>"</td> <td>"</td> <td>V-675</td> <td>122</td> <td>1/2</td> <td>2900</td> <td>1\"/&gt;  <tr> <td>U-45</td> <td>"</td> <td>"</td> <td>V-675</td> <td>122</td> <td>1/2</td> <td>2900</td> <td>1\"/&gt;  <tr> <td>U-46</td> <td>"</td> <td>"</td> <td>V-675</td> <td>122</td> <td>1/2</td> <td>2900</td> <td>1\"/&gt;  <tr> <td>U-47</td> <td>"</td> <td>"</td> <td>V-675</td> <td>122</td> <td>1/2</td> <td>2900</td> <td>1\"/&gt;  <tr> <td>U-48</td> <td>"</td> <td>"</td> <td>V-675</td> <td>122</td> <td>1/2</td> <td>2900</td> <td>1\"/&gt;  <tr> <td>U-49</td> <td>"</td> <td>"</td> <td>V-675</td> <td>122</td> <td>1/2</td> <td>2900</td> <td>1\"/&gt;  <tr> <td>U-50</td> <td>"</td> <td>"</td> <td>V-675</td> <td>122</td> <td>1/2</td> <td>2900</td> <td>1\"/&gt;  </td></tr></td></tr></td></tr></td></tr></td></tr></td></tr></td></tr></td></tr>   
   | U-43 | " | " | V-675 | 122 | 1/2 | 2900 | 1\"/> <tr> <td>U-44</td> <td>"</td> <td>"</td> <td>V-675</td> <td>122</td> <td>1/2</td> <td>2900</td> <td>1\"/&gt;  <tr> <td>U-45</td> <td>"</td> <td>"</td> <td>V-675</td> <td>122</td> <td>1/2</td> <td>2900</td> <td>1\"/&gt;  <tr> <td>U-46</td> <td>"</td> <td>"</td> <td>V-675</td> <td>122</td> <td>1/2</td> <td>2900</td> <td>1\"/&gt;  <tr> <td>U-47</td> <td>"</td> <td>"</td> <td>V-675</td> <td>122</td> <td>1/2</td> <td>2900</td> <td>1\"/&gt;  <tr> <td>U-48</td> <td>"</td> <td>"</td> <td>V-675</td> <td>122</td> <td>1/2</td> <td>2900</td> <td>1\"/&gt;  <tr> <td>U-49</td> <td>"</td> <td>"</td> <td>V-675</td> <td>122</td> <td>1/2</td> <td>2900</td> <td>1\"/&gt;  <tr> <td>U-50</td> <td>"</td> <td>"</td> <td>V-675</td> <td>122</td> <td>1/2</td> <td>2900</td> <td>1\"/&gt;  </td></tr></td></tr></td></tr></td></tr></td></tr></td></tr></td></tr>  | U-44 | " | " | V-675 | 122 | 1/2 | 2900 | 1\"/> <tr> <td>U-45</td> <td>"</td> <td>"</td> <td>V-675</td> <td>122</td> <td>1/2</td> <td>2900</td> <td>1\"/&gt;  <tr> <td>U-46</td> <td>"</td> <td>"</td> <td>V-675</td> <td>122</td> <td>1/2</td> <td>2900</td> <td>1\"/&gt;  <tr> <td>U-47</td> <td>"</td> <td>"</td> <td>V-675</td> <td>122</td> <td>1/2</td> <td>2900</td> <td>1\"/&gt;  <tr> <td>U-48</td> <td>"</td> <td>"</td> <td>V-675</td> <td>122</td> <td>1/2</td> <td>2900</td> <td>1\"/&gt;  <tr> <td>U-49</td> <td>"</td> <td>"</td> <td>V-675</td> <td>122</td> <td>1/2</td> <td>2900</td> <td>1\"/&gt;  <tr> <td>U-50</td> <td>"</td> <td>"</td> <td>V-675</td> <td>122</td> <td>1/2</td> <td>2900</td> <td>1\"/&gt;  </td></tr></td></tr></td></tr></td></tr></td></tr></td></tr>  
  | U-45 | " | " | V-675 | 122 | 1/2 | 2900 | 1\"/> <tr> <td>U-46</td> <td>"</td> <td>"</td> <td>V-675</td> <td>122</td> <td>1/2</td> <td>2900</td> <td>1\"/&gt;  <tr> <td>U-47</td> <td>"</td> <td>"</td> <td>V-675</td> <td>122</td> <td>1/2</td> <td>2900</td> <td>1\"/&gt;  <tr> <td>U-48</td> <td>"</td> <td>"</td> <td>V-675</td> <td>122</td> <td>1/2</td> <td>2900</td> <td>1\"/&gt;  <tr> <td>U-49</td> <td>"</td> <td>"</td> <td>V-675</td> <td>122</td> <td>1/2</td> <td>2900</td> <td>1\"/&gt;  <tr> <td>U-50</td> <td>"</td> <td>"</td> <td>V-675</td> <td>122</td> <td>1/2</td> <td>2900</td> <td>1\"/&gt;  </td></tr></td></tr></td></tr></td></tr></td></tr>  | U-46 | " | " | V-675 | 122 | 1/2 | 2900 | 1\"/> <tr> <td>U-47</td> <td>"</td> <td>"</td> <td>V-675</td> <td>122</td> <td>1/2</td> <td>2900</td> <td>1\"/&gt;  <tr> <td>U-48</td> <td>"</td> <td>"</td> <td>V-675</td> <td>122</td> <td>1/2</td> <td>2900</td> <td>1\"/&gt;  <tr> <td>U-49</td> <td>"</td> <td>"</td> <td>V-675</td> <td>122</td> <td>1/2</td> <td>2900</td> <td>1\"/&gt;  <tr> <td>U-50</td> <td>"</td> <td>"</td> <td>V-675</td> <td>122</td> <td>1/2</td> <td>2900</td> <td>1\"/&gt;  </td></tr></td></tr></td></tr></td></tr>   
   | U-47 | " | " | V-675 | 122 | 1/2 | 2900 | 1\"/> <tr> <td>U-48</td> <td>"</td> <td>"</td> <td>V-675</td> <td>122</td> <td>1/2</td> <td>2900</td> <td>1\"/&gt;  <tr> <td>U-49</td> <td>"</td> <td>"</td> <td>V-675</td> <td>122</td> <td>1/2</td> <td>2900</td> <td>1\"/&gt;  <tr> <td>U-50</td> <td>"</td> <td>"</td> <td>V-675</td> <td>122</td> <td>1/2</td> <td>2900</td> <td>1\"/&gt;  </td></tr></td></tr></td></tr>  | U-48 | " | " | V-675 | 122 | 1/2 | 2900 | 1\"/> <tr> <td>U-49</td> <td>"</td> <td>"</td> <td>V-675</td> <td>122</td> <td>1/2</td> <td>2900</td> <td>1\"/&gt;  <tr> <td>U-50</td> <td>"</td> <td>"</td> <td>V-675</td> <td>122</td> <td>1/2</td> <td>2900</td> <td>1\"/&gt;  </td></tr></td></tr>  
  | U-49 | " | " | V-675 | 122 | 1/2 | 2900 | 1\"/> <tr> <td>U-50</td> <td>"</td> <td>"</td> <td>V-675</td> <td>122</td> <td>1/2</td> <td>2900</td> <td>1\"/&gt;  </td></tr>   | U-50 | " | " | V-675 | 122 | 1/2 | 2900 | 1\"/>   
  |      |   |   |       |     |     |      |  |      |   |   |       |     |     |      | | | | | | | | | | | | | | | | | | | | | | | | | | | | | | | | | | | | | | | | | | | | | | | | | |
  |      |   |   |       |     |     |      |  |      |   |   |       |     |     |      |   
  |      |   |   |       |     |     |      |  |      |   |   |       |     |     |      |  |      |   |   |       |     |     |      |  
   |      |   |   |       |     |     |      |  |      |   |   |       |     |     |      |  
   |      |   |   |       |     |     |      |  |      |   |   |       |     |     |      |  |      |   |   |       |     |     |      |   
  |      |   |   |       |     |     |      |  |      |   |   |       |     |     |      |  |      |   |   |       |     |     |      |  |      |   |   |       |     |     |      |   
  |      |   |   |       |     |     |      |  |      |   |   |       |     |     |      |  |      |   |   |       |     |     |      |  
   |      |   |   |       |     |     |      |  |      |   |   |       |     |     |      |  |      |   |   |       |     |     |      |  |      |   |   |       |     |     |      |  |      |   |   |       |     |     |      |   
  |      |   |   |       |     |     |      |  |      |   |   |       |     |     |      |  |      |   |   |       |     |     |      |  |      |   |   |       |     |     |      |  |      |   |   |       |     |     |      |  |      |   |   |       |     |     |      |  |      |   |   |       |     |     |      |  
   |      |   |   |       |     |     |      |  |      |   |   |       |     |     |      |  |      |   |   |       |     |     |      |  |      |   |   |       |     |     |      |  |      |   |   |       |     |     |      |  |      |   |   |       |     |     |      |  |      |   |   |       |     |     |      |  |      |   |   |       |     |     |      |       |
| U-35 | "             | "                       | V-675    | 122  | 1/2           | 2900    | 1\"/> <tr> <td>U-36</td> <td>"</td> <td>"</td> <td>V-675</td> <td>122</td> <td>1/2</td> <td>2900</td> <td>1\"/&gt;  <tr> <td>U-37</td> <td>"</td> <td>"</td> <td>V-675</td> <td>122</td> <td>1/2</td> <td>2900</td> <td>1\"/&gt;  <tr> <td>U-38</td> <td>"</td> <td>"</td> <td>V-675</td> <td>122</td> <td>1/2</td> <td>2900</td> <td>1\"/&gt;  <tr> <td>U-39</td> <td>"</td> <td>"</td> <td>V-675</td> <td>122</td> <td>1/2</td> <td>2900</td> <td>1\"/&gt;  <tr> <td>U-40</td> <td>"</td> <td>"</td> <td>V-675</td> <td>122</td> <td>1/2</td> <td>2900</td> <td>1\"/&gt;  <tr> <td>U-41</td> <td>"</td> <td>"</td> <td>V-675</td> <td>122</td> <td>1/2</td> <td>2900</td> <td>1\"/&gt;  <tr> <td>U-42</td> <td>"</td> <td>"</td> <td>V-675</td> <td>122</td> <td>1/2</td> <td>2900</td> <td>1\"/&gt;  <tr> <td>U-43</td> <td>"</td> <td>"</td> <td>V-675</td> <td>122</td> <td>1/2</td> <td>2900</td> <td>1\"/&gt;  <tr> <td>U-44</td> <td>"</td> <td>"</td> <td>V-675</td> <td>122</td> <td>1/2</td> <td>2900</td> <td>1\"/&gt;  <tr> <td>U-45</td> <td>"</td> <td>"</td> <td>V-675</td> <td>122</td> <td>1/2</td> <td>2900</td> <td>1\"/&gt;  <tr> <td>U-46</td> <td>"</td> <td>"</td> <td>V-675</td> <td>122</td> <td>1/2</td> <td>2900</td> <td>1\"/&gt;  <tr> <td>U-47</td> <td>"</td> <td>"</td> <td>V-675</td> <td>122</td> <td>1/2</td> <td>2900</td> <td>1\"/&gt;  <tr> <td>U-48</td> <td>"</td> <td>"</td> <td>V-675</td> <td>122</td> <td>1/2</td> <td>2900</td> <td>1\"/&gt;  <tr> <td>U-49</td> <td>"</td> <td>"</td> <td>V-675</td> <td>122</td> <td>1/2</td> <td>2900</td> <td>1\"/&gt;  <tr> <td>U-50</td> <td>"</td> <td>"</td> <td>V-675</td> <td>122</td> <td>1/2</td> <td>2900</td> <td>1\"/&gt;  </td></tr></td></tr></td></tr></td></tr></td></tr></td></tr></td></tr></td></tr></td></tr></td></tr></td></tr></td></tr></td></tr></td></tr></td></tr>  | U-36 | " | " | V-675  | 122  | 1/2 | 2900   | 1\"/> <tr> <td>U-37</td> <td>"</td> <td>"</td> <td>V-675</td> <td>122</td> <td>1/2</td> <td>2900</td> <td>1\"/&gt;  <tr> <td>U-38</td> <td>"</td> <td>"</td> <td>V-675</td> <td>122</td> <td>1/2</td> <td>2900</td> <td>1\"/&gt;  <tr> <td>U-39</td> <td>"</td> <td>"</td> <td>V-675</td> <td>122</td> <td>1/2</td> <td>2900</td> <td>1\"/&gt;  <tr> <td>U-40</td> <td>"</td> <td>"</td> <td>V-675</td> <td>122</td> <td>1/2</td> <td>2900</td> <td>1\"/&gt;  <tr> <td>U-41</td> <td>"</td> <td>"</td> <td>V-675</td> <td>122</td> <td>1/2</td> <td>2900</td> <td>1\"/&gt;  <tr> <td>U-42</td> <td>"</td> <td>"</td> <td>V-675</td> <td>122</td> <td>1/2</td> <td>2900</td> <td>1\"/&gt;  <tr> <td>U-43</td> <td>"</td> <td>"</td> <td>V-675</td> <td>122</td> <td>1/2</td> <td>2900</td> <td>1\"/&gt;  <tr> <td>U-44</td> <td>"</td> <td>"</td> <td>V-675</td> <td>122</td> <td>1/2</td> <td>2900</td> <td>1\"/&gt;  <tr> <td>U-45</td> <td>"</td> <td>"</td> <td>V-675</td> <td>122</td> <td>1/2</td> <td>2900</td> <td>1\"/&gt;  <tr> <td>U-46</td> <td>"</td> <td>"</td> <td>V-675</td> <td>122</td> <td>1/2</td> <td>2900</td> <td>1\"/&gt;  <tr> <td>U-47</td> <td>"</td> <td>"</td> <td>V-675</td> <td>122</td> <td>1/2</td> <td>2900</td> <td>1\"/&gt;  <tr> <td>U-48</td> <td>"</td> <td>"</td> <td>V-675</td> <td>122</td> <td>1/2</td> <td>2900</td> <td>1\"/&gt;  <tr> <td>U-49</td> <td>"</td> <td>"</td> <td>V-675</td> <td>122</td> <td>1/2</td> <td>2900</td> <td>1\"/&gt;  <tr> <td>U-50</td> <td>"</td> <td>"</td> <td>V-675</td> <td>122</td> <td>1/2</td> <td>2900</td> <td>1\"/&gt;  </td></tr></td></tr></td></tr></td></tr></td></tr></td></tr></td></tr></td></tr></td></tr></td></tr></td></tr></td></tr></td></tr></td></tr>  
  | U-37 | " | " | V-675  | 122 | 1/2 | 2900   | 1\"/> <tr> <td>U-38</td> <td>"</td> <td>"</td> <td>V-675</td> <td>122</td> <td>1/2</td> <td>2900</td> <td>1\"/&gt;  <tr> <td>U-39</td> <td>"</td> <td>"</td> <td>V-675</td> <td>122</td> <td>1/2</td> <td>2900</td> <td>1\"/&gt;  <tr> <td>U-40</td> <td>"</td> <td>"</td> <td>V-675</td> <td>122</td> <td>1/2</td> <td>2900</td> <td>1\"/&gt;  <tr> <td>U-41</td> <td>"</td> <td>"</td> <td>V-675</td> <td>122</td> <td>1/2</td> <td>2900</td> <td>1\"/&gt;  <tr> <td>U-42</td> <td>"</td> <td>"</td> <td>V-675</td> <td>122</td> <td>1/2</td> <td>2900</td> <td>1\"/&gt;  <tr> <td>U-43</td> <td>"</td> <td>"</td> <td>V-675</td> <td>122</td> <td>1/2</td> <td>2900</td> <td>1\"/&gt;  <tr> <td>U-44</td> <td>"</td> <td>"</td> <td>V-675</td> <td>122</td> <td>1/2</td> <td>2900</td> <td>1\"/&gt;  <tr> <td>U-45</td> <td>"</td> <td>"</td> <td>V-675</td> <td>122</td> <td>1/2</td> <td>2900</td> <td>1\"/&gt;  <tr> <td>U-46</td> <td>"</td> <td>"</td> <td>V-675</td> <td>122</td> <td>1/2</td> <td>2900</td> <td>1\"/&gt;  <tr> <td>U-47</td> <td>"</td> <td>"</td> <td>V-675</td> <td>122</td> <td>1/2</td> <td>2900</td> <td>1\"/&gt;  <tr> <td>U-48</td> <td>"</td> <td>"</td> <td>V-675</td> <td>122</td> <td>1/2</td> <td>2900</td> <td>1\"/&gt;  <tr> <td>U-49</td> <td>"</td> <td>"</td> <td>V-675</td> <td>122</td> <td>1/2</td> <td>2900</td> <td>1\"/&gt;  <tr> <td>U-50</td> <td>"</td> <td>"</td> <td>V-675</td> <td>122</td> <td>1/2</td> <td>2900</td> <td>1\"/&gt;  </td></tr></td></tr></td></tr></td></tr></td></tr></td></tr></td></tr></td></tr></td></tr></td></tr></td></tr></td></tr></td></tr>   | U-38 | " | " | V-675 | 122 | 1/2 | 2900    | 1\"/> <tr> <td>U-39</td> <td>"</td> <td>"</td> <td>V-675</td> <td>122</td> <td>1/2</td> <td>2900</td> <td>1\"/&gt;  <tr> <td>U-40</td> <td>"</td> <td>"</td> <td>V-675</td> <td>122</td> <td>1/2</td> <td>2900</td> <td>1\"/&gt;  <tr> <td>U-41</td> <td>"</td> <td>"</td> <td>V-675</td> <td>122</td> <td>1/2</td> <td>2900</td> <td>1\"/&gt;  <tr> <td>U-42</td> <td>"</td> <td>"</td> <td>V-675</td> <td>122</td> <td>1/2</td> <td>2900</td> <td>1\"/&gt;  <tr> <td>U-43</td> <td>"</td> <td>"</td> <td>V-675</td> <td>122</td> <td>1/2</td> <td>2900</td> <td>1\"/&gt;  <tr> <td>U-44</td> <td>"</td> <td>"</td> <td>V-675</td> <td>122</td> <td>1/2</td> <td>2900</td> <td>1\"/&gt;  <tr> <td>U-45</td> <td>"</td> <td>"</td> <td>V-675</td> <td>122</td> <td>1/2</td> <td>2900</td> <td>1\"/&gt;  <tr> <td>U-46</td> <td>"</td> <td>"</td> <td>V-675</td> <td>122</td> <td>1/2</td> <td>2900</td> <td>1\"/&gt;  <tr> <td>U-47</td> <td>"</td> <td>"</td> <td>V-675</td> <td>122</td> <td>1/2</td> <td>2900</td> <td>1\"/&gt;  <tr> <td>U-48</td> <td>"</td> <td>"</td> <td>V-675</td> <td>122</td> <td>1/2</td> <td>2900</td> <td>1\"/&gt;  <tr> <td>U-49</td> <td>"</td> <td>"</td> <td>V-675</td> <td>122</td> <td>1/2</td> <td>2900</td> <td>1\"/&gt;  <tr> <td>U-50</td> <td>"</td> <td>"</td> <td>V-675</td> <td>122</td> <td>1/2</td> <td>2900</td> <td>1\"/&gt;  </td></tr></td></tr></td></tr></td></tr></td></tr></td></tr></td></tr></td></tr></td></tr></td></tr></td></tr></td></tr>  
   | U-39 | " | " | V-675 | 122 | 1/2 | 2900   | 1\"/> <tr> <td>U-40</td> <td>"</td> <td>"</td> <td>V-675</td> <td>122</td> <td>1/2</td> <td>2900</td> <td>1\"/&gt;  <tr> <td>U-41</td> <td>"</td> <td>"</td> <td>V-675</td> <td>122</td> <td>1/2</td> <td>2900</td> <td>1\"/&gt;  <tr> <td>U-42</td> <td>"</td> <td>"</td> <td>V-675</td> <td>122</td> <td>1/2</td> <td>2900</td> <td>1\"/&gt;  <tr> <td>U-43</td> <td>"</td> <td>"</td> <td>V-675</td> <td>122</td> <td>1/2</td> <td>2900</td> <td>1\"/&gt;  <tr> <td>U-44</td> <td>"</td> <td>"</td> <td>V-675</td> <td>122</td> <td>1/2</td> <td>2900</td> <td>1\"/&gt;  <tr> <td>U-45</td> <td>"</td> <td>"</td> <td>V-675</td> <td>122</td> <td>1/2</td> <td>2900</td> <td>1\"/&gt;  <tr> <td>U-46</td> <td>"</td> <td>"</td> <td>V-675</td> <td>122</td> <td>1/2</td> <td>2900</td> <td>1\"/&gt;  <tr> <td>U-47</td> <td>"</td> <td>"</td> <td>V-675</td> <td>122</td> <td>1/2</td> <td>2900</td> <td>1\"/&gt;  <tr> <td>U-48</td> <td>"</td> <td>"</td> <td>V-675</td> <td>122</td> <td>1/2</td> <td>2900</td> <td>1\"/&gt;  <tr> <td>U-49</td> <td>"</td> <td>"</td> <td>V-675</td> <td>122</td> <td>1/2</td> <td>2900</td> <td>1\"/&gt;  <tr> <td>U-50</td> <td>"</td> <td>"</td> <td>V-675</td> <td>122</td> <td>1/2</td> <td>2900</td> <td>1\"/&gt;  </td></tr></td></tr></td></tr></td></tr></td></tr></td></tr></td></tr></td></tr></td></tr></td></tr></td></tr>   | U-40 | " | " | V-675 | 122 | 1/2 | 2900    | 1\"/> <tr> <td>U-41</td> <td>"</td> <td>"</td> <td>V-675</td> <td>122</td> <td>1/2</td> <td>2900</td> <td>1\"/&gt;  <tr> <td>U-42</td> <td>"</td> <td>"</td> <td>V-675</td> <td>122</td> <td>1/2</td> <td>2900</td> <td>1\"/&gt;  <tr> <td>U-43</td> <td>"</td> <td>"</td> <td>V-675</td> <td>122</td> <td>1/2</td> <td>2900</td> <td>1\"/&gt;  <tr> <td>U-44</td> <td>"</td> <td>"</td> <td>V-675</td> <td>122</td> <td>1/2</td> <td>2900</td> <td>1\"/&gt;  <tr> <td>U-45</td> <td>"</td> <td>"</td> <td>V-675</td> <td>122</td> <td>1/2</td> <td>2900</td> <td>1\"/&gt;  <tr> <td>U-46</td> <td>"</td> <td>"</td> <td>V-675</td> <td>122</td> <td>1/2</td> <td>2900</td> <td>1\"/&gt;  <tr> <td>U-47</td> <td>"</td> <td>"</td> <td>V-675</td> <td>122</td> <td>1/2</td> <td>2900</td> <td>1\"/&gt;  <tr>
<td>U-48</td> <td>"</td> <td>"</td> <td>V-675</td> <td>122</td> <td>1/2</td> <td>2900</td> <td>1\"/&gt;  <tr> <td>U-49</td> <td>"</td> <td>"</td> <td>V-675</td> <td>122</td> <td>1/2</td> <td>2900</td> <td>1\"/&gt;  <tr> <td>U-50</td> <td>"</td> <td>"</td> <td>V-675</td> <td>122</td> <td>1/2</td> <td>2900</td> <td>1\"/&gt;  </td></tr></td></tr></td></tr></td></tr></td></tr></td></tr></td></tr></td></tr></td></tr></td></tr>  | U-41 | "           | "      | V-675  | 122  | 1/2 | 2900 | 1\"/> <tr> <td>U-42</td> <td>"</td> <td>"</td> <td>V-675</td> <td>122</td> <td>1/2</td> <td>2900</td> <td>1\"/&gt;  <tr> <td>U-43</td> <td>"</td> <td>"</td> <td>V-675</td> <td>122</td> <td>1/2</td> <td>2900</td> <td>1\"/&gt;  <tr> <td>U-44</td> <td>"</td> <td>"</td> <td>V-675</td> <td>122</td> <td>1/2</td> <td>2900</td> <td>1\"/&gt;  <tr> <td>U-45</td> <td>"</td> <td>"</td> <td>V-675</td> <td>122</td> <td>1/2</td> <td>2900</td> <td>1\"/&gt;  <tr> <td>U-46</td> <td>"</td> <td>"</td> <td>V-675</td> <td>122</td> <td>1/2</td> <td>2900</td> <td>1\"/&gt;  <tr> <td>U-47</td> <td>"</td> <td>"</td> <td>V-675</td> <td>122</td> <td>1/2</td> <td>2900</td> <td>1\"/&gt;  <tr> <td>U-48</td> <td>"</td> <td>"</td> <td>V-675</td> <td>122</td> <td>1/2</td> <td>2900</td> <td>1\"/&gt;  <tr> <td>U-49</td> <td>"</td> <td>"</td> <td>V-675</td> <td>122</td> <td>1/2</td> <td>2900</td> <td>1\"/&gt;  <tr> <td>U-50</td> <td>"</td> <td>"</td> <td>V-675</td> <td>122</td> <td>1/2</td> <td>2900</td> <td>1\"/&gt;  </td></tr></td></tr></td></tr></td></tr></td></tr></td></tr></td></tr></td></tr></td></tr>   
  | U-42 | " | " | V-675  | 122  | 1/2 | 2900 | 1\"/> <tr> <td>U-43</td> <td>"</td> <td>"</td> <td>V-675</td> <td>122</td> <td>1/2</td> <td>2900</td> <td>1\"/&gt;  <tr> <td>U-44</td> <td>"</td> <td>"</td> <td>V-675</td> <td>122</td> <td>1/2</td> <td>2900</td> <td>1\"/&gt;  <tr> <td>U-45</td> <td>"</td> <td>"</td> <td>V-675</td> <td>122</td> <td>1/2</td> <td>2900</td> <td>1\"/&gt;  <tr> <td>U-46</td> <td>"</td> <td>"</td> <td>V-675</td> <td>122</td> <td>1/2</td> <td>2900</td> <td>1\"/&gt;  <tr> <td>U-47</td> <td>"</td> <td>"</td> <td>V-675</td> <td>122</td> <td>1/2</td> <td>2900</td> <td>1\"/&gt;  <tr> <td>U-48</td> <td>"</td> <td>"</td> <td>V-675</td> <td>122</td> <td>1/2</td> <td>2900</td> <td>1\"/&gt;  <tr> <td>U-49</td> <td>"</td> <td>"</td> <td>V-675</td> <td>122</td> <td>1/2</td> <td>2900</td> <td>1\"/&gt;  <tr> <td>U-50</td> <td>"</td> <td>"</td> <td>V-675</td> <td>122</td> <td>1/2</td> <td>2900</td> <td>1\"/&gt;  </td></tr></td></tr></td></tr></td></tr></td></tr></td></tr></td></tr></td></tr>   | U-43 | " | " | V-675  | 122 | 1/2 | 2900 | 1\"/> <tr> <td>U-44</td> <td>"</td> <td>"</td> <td>V-675</td> <td>122</td> <td>1/2</td> <td>2900</td> <td>1\"/&gt;  <tr> <td>U-45</td> <td>"</td> <td>"</td> <td>V-675</td> <td>122</td> <td>1/2</td> <td>2900</td> <td>1\"/&gt;  <tr> <td>U-46</td> <td>"</td> <td>"</td> <td>V-675</td> <td>122</td> <td>1/2</td> <td>2900</td> <td>1\"/&gt;  <tr> <td>U-47</td> <td>"</td> <td>"</td> <td>V-675</td> <td>122</td> <td>1/2</td> <td>2900</td> <td>1\"/&gt;  <tr> <td>U-48</td> <td>"</td> <td>"</td> <td>V-675</td> <td>122</td> <td>1/2</td> <td>2900</td> <td>1\"/&gt;  <tr> <td>U-49</td> <td>"</td> <td>"</td> <td>V-675</td> <td>122</td> <td>1/2</td> <td>2900</td> <td>1\"/&gt;  <tr> <td>U-50</td> <td>"</td> <td>"</td> <td>V-675</td> <td>122</td> <td>1/2</td> <td>2900</td> <td>1\"/&gt;  </td></tr></td></tr></td></tr></td></tr></td></tr></td></tr></td></tr>   
   | U-44 | " | " | V-675 | 122 | 1/2 | 2900 | 1\"/> <tr> <td>U-45</td> <td>"</td> <td>"</td> <td>V-675</td> <td>122</td> <td>1/2</td> <td>2900</td> <td>1\"/&gt;  <tr> <td>U-46</td> <td>"</td> <td>"</td> <td>V-675</td> <td>122</td> <td>1/2</td> <td>2900</td> <td>1\"/&gt;  <tr> <td>U-47</td> <td>"</td> <td>"</td> <td>V-675</td> <td>122</td> <td>1/2</td> <td>2900</td> <td>1\"/&gt;  <tr> <td>U-48</td> <td>"</td> <td>"</td> <td>V-675</td> <td>122</td> <td>1/2</td> <td>2900</td> <td>1\"/&gt;  <tr> <td>U-49</td> <td>"</td> <td>"</td> <td>V-675</td> <td>122</td> <td>1/2</td> <td>2900</td> <td>1\"/&gt;  <tr> <td>U-50</td> <td>"</td> <td>"</td> <td>V-675</td> <td>122</td> <td>1/2</td> <td>2900</td> <td>1\"/&gt;  </td></tr></td></tr></td></tr></td></tr></td></tr></td></tr>  | U-45 | " | " | V-675 | 122 | 1/2 | 2900 | 1\"/> <tr> <td>U-46</td> <td>"</td> <td>"</td> <td>V-675</td> <td>122</td> <td>1/2</td> <td>2900</td> <td>1\"/&gt;  <tr> <td>U-47</td> <td>"</td> <td>"</td> <td>V-675</td> <td>122</td> <td>1/2</td> <td>2900</td> <td>1\"/&gt;  <tr> <td>U-48</td> <td>"</td> <td>"</td> <td>V-675</td> <td>122</td> <td>1/2</td> <td>2900</td> <td>1\"/&gt;  <tr> <td>U-49</td> <td>"</td> <td>"</td> <td>V-675</td> <td>122</td> <td>1/2</td> <td>2900</td> <td>1\"/&gt;  <tr> <td>U-50</td> <td>"</td> <td>"</td> <td>V-675</td> <td>122</td> <td>1/2</td> <td>2900</td> <td>1\"/&gt;  </td></tr></td></tr></td></tr></td></tr></td></tr>  
  | U-46 | " | " | V-675 | 122 | 1/2 | 2900 | 1\"/> <tr> <td>U-47</td> <td>"</td> <td>"</td> <td>V-675</td> <td>122</td> <td>1/2</td> <td>2900</td> <td>1\"/&gt;  <tr> <td>U-48</td> <td>"</td> <td>"</td> <td>V-675</td> <td>122</td> <td>1/2</td> <td>2900</td> <td>1\"/&gt;  <tr> <td>U-49</td> <td>"</td> <td>"</td> <td>V-675</td> <td>122</td> <td>1/2</td> <td>2900</td> <td>1\"/&gt;  <tr> <td>U-50</td> <td>"</td> <td>"</td> <td>V-675</td> <td>122</td> <td>1/2</td> <td>2900</td> <td>1\"/&gt;  </td></tr></td></tr></td></tr></td></tr>  | U-47 | " | " | V-675 | 122 | 1/2 | 2900 | 1\"/> <tr> <td>U-48</td> <td>"</td> <td>"</td> <td>V-675</td> <td>122</td> <td>1/2</td> <td>2900</td> <td>1\"/&gt;  <tr> <td>U-49</td> <td>"</td> <td>"</td> <td>V-675</td> <td>122</td> <td>1/2</td> <td>2900</td> <td>1\"/&gt;  <tr> <td>U-50</td> <td>"</td> <td>"</td> <td>V-675</td> <td>122</td> <td>1/2</td> <td>2900</td> <td>1\"/&gt;  </td></tr></td></tr></td></tr>   
   | U-48 | " | " | V-675 | 122 | 1/2 | 2900 | 1\"/> <tr> <td>U-49</td> <td>"</td> <td>"</td> <td>V-675</td> <td>122</td> <td>1/2</td> <td>2900</td> <td>1\"/&gt;  <tr> <td>U-50</td> <td>"</td> <td>"</td> <td>V-675</td> <td>122</td> <td>1/2</td> <td>2900</td> <td>1\"/&gt;  </td></tr></td></tr>  | U-49 | " | " | V-675 | 122 | 1/2 | 2900 | 1\"/> <tr> <td>U-50</td> <td>"</td> <td>"</td> <td>V-675</td> <td>122</td> <td>1/2</td> <td>2900</td> <td>1\"/&gt;  </td></tr>  
  | U-50 | " | " | V-675 | 122 | 1/2 | 2900 | 1\"/>  |      |   |   |       |     |     |      | | | | | | | | | | | | | | | | | | | | | | | | | | | | | | | | | | | | | | | | | | | | | | | | | |
  |      |   |   |       |     |     |      |  |      |   |   |       |     |     |      |   
  |      |   |   |       |     |     |      |  |      |   |   |       |     |     |      |   
  |      |   |   |       |     |     |      |  |      |   |   |       |     |     |      |  |      |   |   |       |     |     |      |  
   |      |   |   |       |     |     |      |  |      |   |   |       |     |     |      |  
   |      |   |   |       |     |     |      |  |      |   |   |       |     |     |      |  |      |   |   |       |     |     |      |   
  |      |   |   |       |     |     |      |  |      |   |   |       |     |     |      |  |      |   |   |       |     |     |      |  |      |   |   |       |     |     |      |   
  |      |   |   |       |     |     |      |  |      |   |   |       |     |     |      |  |      |   |   |       |     |     |      |  
   |      |   |   |       |     |     |      |  |      |   |   |       |     |     |      |  |      |   |   |       |     |     |      |  |      |   |   |       |     |     |      |  |      |   |   |       |     |     |      |   
  |      |   |   |       |     |     |      |  |      |   |   |       |     |     |      |  |      |   |   |       |     |     |      |  |      |   |   |       |     |     |      |  |      |   |   |       |     |     |      |  |      |   |   |       |     |     |      |  |      |   |   |       |     |     |      |  
   |      |   |   |       |     |     |      |  |      |   |   |       |     |     |      |  |      |   |   |       |     |     |      |  |      |   |   |       |     |     |      |  |      |   |   |       |     |     |      |  |      |   |   |       |     |     |      |  |      |   |   |       |     |     |      |  |      |   |   |       |     |     |      |       |
| U-36 | "             | "                       | V-675    | 122  | 1/2           | 2900    | 1\"/> <tr> <td>U-37</td> <td>"</td> <td>"</td> <td>V-675</td> <td>122</td> <td>1/2</td> <td>2900</td> <td>1\"/&gt;  <tr> <td>U-38</td> <td>"</td> <td>"</td> <td>V-675</td> <td>122</td> <td>1/2</td> <td>2900</td> <td>1\"/&gt;  <tr> <td>U-39</td> <td>"</td> <td>"</td> <td>V-675</td> <td>122</td> <td>1/2</td> <td>2900</td> <td>1\"/&gt;  <tr> <td>U-40</td> <td>"</td> <td>"</td> <td>V-675</td> <td>122</td> <td>1/2</td> <td>2900</td> <td>1\"/&gt;  <tr> <td>U-41</td> <td>"</td> <td>"</td> <td>V-675</td> <td>122</td> <td>1/2</td> <td>2900</td> <td>1\"/&gt;  <tr> <td>U-42</td> <td>"</td> <td>"</td> <td>V-675</td> <td>122</td> <td>1/2</td> <td>2900</td> <td>1\"/&gt;  <tr> <td>U-43</td> <td>"</td> <td>"</td> <td>V-675</td> <td>122</td> <td>1/2</td> <td>2900</td> <td>1\"/&gt;  <tr> <td>U-44</td> <td>"</td> <td>"</td> <td>V-675</td> <td>122</td> <td>1/2</td> <td>2900</td> <td>1\"/&gt;  <tr> <td>U-45</td> <td>"</td> <td>"</td> <td>V-675</td> <td>122</td> <td>1/2</td> <td>2900</td> <td>1\"/&gt;  <tr> <td>U-46</td> <td>"</td> <td>"</td> <td>V-675</td> <td>122</td> <td>1/2</td> <td>2900</td> <td>1\"/&gt;  <tr> <td>U-47</td> <td>"</td> <td>"</td> <td>V-675</td> <td>122</td> <td>1/2</td> <td>2900</td> <td>1\"/&gt;  <tr> <td>U-48</td> <td>"</td> <td>"</td> <td>V-675</td> <td>122</td> <td>1/2</td> <td>2900</td> <td>1\"/&gt;  <tr> <td>U-49</td> <td>"</td> <td>"</td> <td>V-675</td> <td>122</td> <td>1/2</td> <td>2900</td> <td>1\"/&gt;  <tr> <td>U-50</td> <td>"</td> <td>"</td> <td>V-675</td> <td>122</td> <td>1/2</td> <td>2900</td> <td>1\"/&gt;  </td></tr></td></tr></td></tr></td></tr></td></tr></td></tr></td></tr></td></tr></td></tr></td></tr></td></tr></td></tr></td></tr></td></tr>  | U-37 | " | " | V-675  | 122  | 1/2 | 2900   | 1\"/> <tr> <td>U-38</td> <td>"</td> <td>"</td> <td>V-675</td> <td>122</td> <td>1/2</td> <td>2900</td> <td>1\"/&gt;  <tr> <td>U-39</td> <td>"</td> <td>"</td> <td>V-675</td> <td>122</td> <td>1/2</td> <td>2900</td> <td>1\"/&gt;  <tr> <td>U-40</td> <td>"</td> <td>"</td> <td>V-675</td> <td>122</td> <td>1/2</td> <td>2900</td> <td>1\"/&gt;  <tr> <td>U-41</td> <td>"</td> <td>"</td> <td>V-675</td> <td>122</td> <td>1/2</td> <td>2900</td> <td>1\"/&gt;  <tr> <td>U-42</td> <td>"</td> <td>"</td> <td>V-675</td> <td>122</td> <td>1/2</td> <td>2900</td> <td>1\"/&gt;  <tr> <td>U-43</td> <td>"</td> <td>"</td> <td>V-675</td> <td>122</td> <td>1/2</td> <td>2900</td> <td>1\"/&gt;  <tr> <td>U-44</td> <td>"</td> <td>"</td> <td>V-675</td> <td>122</td> <td>1/2</td> <td>2900</td> <td>1\"/&gt;  <tr> <td>U-45</td> <td>"</td> <td>"</td> <td>V-675</td> <td>122</td> <td>1/2</td> <td>2900</td> <td>1\"/&gt;  <tr> <td>U-46</td> <td>"</td> <td>"</td> <td>V-675</td> <td>122</td> <td>1/2</td> <td>2900</td> <td>1\"/&gt;  <tr> <td>U-47</td> <td>"</td> <td>"</td> <td>V-675</td> <td>122</td> <td>1/2</td> <td>2900</td> <td>1\"/&gt;  <tr> <td>U-48</td> <td>"</td> <td>"</td> <td>V-675</td> <td>122</td> <td>1/2</td> <td>2900</td> <td>1\"/&gt;  <tr> <td>U-49</td> <td>"</td> <td>"</td> <td>V-675</td> <td>122</td> <td>1/2</td> <td>2900</td> <td>1\"/&gt;  <tr> <td>U-50</td> <td>"</td> <td>"</td> <td>V-675</td> <td>122</td> <td>1/2</td> <td>2900</td> <td>1\"/&gt;  </td></tr></td></tr></td></tr></td></tr></td></tr></td></tr></td></tr></td></tr></td></tr></td></tr></td></tr></td></tr></td></tr>  
  | U-38 | " | " | V-675  | 122 | 1/2 | 2900   | 1\"/> <tr> <td>U-39</td> <td>"</td> <td>"</td> <td>V-675</td> <td>122</td> <td>1/2</td> <td>2900</td> <td>1\"/&gt;  <tr> <td>U-40</td> <td>"</td> <td>"</td> <td>V-675</td> <td>122</td> <td>1/2</td> <td>2900</td> <td>1\"/&gt;  <tr> <td>U-41</td> <td>"</td> <td>"</td> <td>V-675</td> <td>122</td> <td>1/2</td> <td>2900</td> <td>1\"/&gt;  <tr> <td>U-42</td> <td>"</td> <td>"</td> <td>V-675</td> <td>122</td> <td>1/2</td> <td>2900</td> <td>1\"/&gt;  <tr> <td>U-43</td> <td>"</td> <td>"</td> <td>V-675</td> <td>122</td> <td>1/2</td> <td>2900</td> <td>1\"/&gt;  <tr> <td>U-44</td> <td>"</td> <td>"</td> <td>V-675</td> <td>122</td> <td>1/2</td> <td>2900</td> <td>1\"/&gt;  <tr> <td>U-45</td> <td>"</td> <td>"</td> <td>V-675</td> <td>122</td> <td>1/2</td> <td>2900</td> <td>1\"/&gt;  <tr> <td>U-46</td> <td>"</td> <td>"</td> <td>V-675</td> <td>122</td> <td>1/2</td> <td>2900</td> <td>1\"/&gt;  <tr> <td>U-47</td> <td>"</td> <td>"</td> <td>V-675</td> <td>122</td> <td>1/2</td> <td>2900</td> <td>1\"/&gt;  <tr> <td>U-48</td> <td>"</td> <td>"</td> <td>V-675</td> <td>122</td> <td>1/2</td> <td>2900</td> <td>1\"/&gt;  <tr> <td>U-49</td> <td>"</td> <td>"</td> <td>V-675</td> <td>122</td> <td>1/2</td> <td>2900</td> <td>1\"/&gt;  <tr> <td>U-50</td> <td>"</td> <td>"</td> <td>V-675</td> <td>122</td> <td>1/2</td> <td>2900</td> <td>1\"/&gt;  </td></tr></td></tr></td></tr></td></tr></td></tr></td></tr></td></tr></td></tr></td></tr></td></tr></td></tr></td></tr>   | U-39 | " | " | V-675 | 122 | 1/2 | 2900    | 1\"/> <tr> <td>U-40</td> <td>"</td> <td>"</td> <td>V-675</td> <td>122</td> <td>1/2</td> <td>2900</td> <td>1\"/&gt;  <tr> <td>U-41</td> <td>"</td> <td>"</td> <td>V-675</td> <td>122</td> <td>1/2</td> <td>2900</td> <td>1\"/&gt;  <tr> <td>U-42</td> <td>"</td> <td>"</td> <td>V-675</td> <td>122</td> <td>1/2</td> <td>2900</td> <td>1\"/&gt;  <tr> <td>U-43</td> <td>"</td> <td>"</td> <td>V-675</td> <td>122</td> <td>1/2</td> <td>2900</td> <td>1\"/&gt;  <tr> <td>U-44</td> <td>"</td> <td>"</td> <td>V-675</td> <td>122</td> <td>1/2</td> <td>2900</td> <td>1\"/&gt;  <tr> <td>U-45</td> <td>"</td> <td>"</td> <td>V-675</td> <td>122</td> <td>1/2</td> <td>2900</td> <td>1\"/&gt;  <tr> <td>U-46</td> <td>"</td> <td>"</td> <td>V-675</td> <td>122</td> <td>1/2</td> <td>2900</td> <td>1\"/&gt;  <tr> <td>U-47</td> <td>"</td> <td>"</td> <td>V-675</td> <td>122</td> <td>1/2</td> <td>2900</td> <td>1\"/&gt;  <tr> <td>U-48</td> <td>"</td> <td>"</td> <td>V-675</td> <td>122</td> <td>1/2</td> <td>2900</td> <td>1\"/&gt;  <tr> <td>U-49</td> <td>"</td> <td>"</td> <td>V-675</td> <td>122</td> <td>1/2</td> <td>2900</td> <td>1\"/&gt;  <tr> <td>U-50</td> <td>"</td> <td>"</td> <td>V-675</td> <td>122</td> <td>1/2</td> <td>2900</td> <td>1\"/&gt;  </td></tr></td></tr></td></tr></td></tr></td></tr></td></tr></td></tr></td></tr></td></tr></td></tr></td></tr>  
   | U-40 | " | " | V-675 | 122 | 1/2 | 2900   | 1\"/> <tr> <td>U-41</td> <td>"</td> <td>"</td> <td>V-675</td> <td>122</td> <td>1/2</td> <td>2900</td> <td>1\"/&gt;  <tr> <td>U-42</td> <td>"</td> <td>"</td> <td>V-675</td> <td>122</td> <td>1/2</td> <td>2900</td> <td>1\"/&gt;  <tr> <td>U-43</td> <td>"</td> <td>"</td> <td>V-675</td> <td>122</td> <td>1/2</td> <td>2900</td> <td>1\"/&gt;  <tr> <td>U-44</td> <td>"</td> <td>"</td> <td>V-675</td> <td>122</td> <td>1/2</td> <td>2900</td> <td>1\"/&gt;  <tr> <td>U-45</td> <td>"</td> <td>"</td> <td>V-675</td> <td>122</td> <td>1/2</td> <td>2900</td> <td>1\"/&gt;  <tr> <td>U-46</td> <td>"</td> <td>"</td> <td>V-675</td> <td>122</td> <td>1/2</td> <td>2900</td> <td>1\"/&gt;  <tr> <td>U-47</td> <td>"</td> <td>"</td> <td>V-675</td> <td>122</td> <td>1/2</td> <td>2900</td> <td>1\"/&gt;  <tr> <td>U-48</td> <td>"</td> <td>"</td> <td>V-675</td> <td>122</td> <td>1/2</td> <td>2900</td> <td>1\"/&gt;  <tr> <td>U-49</td> <td>"</td> <td>"</td> <td>V-675</td> <td>122</td> <td>1/2</td> <td>2900</td> <td>1\"/&gt;  <tr> <td>U-50</td> <td>"</td> <td>"</td> <td>V-675</td> <td>122</td> <td>1/2</td> <td>2900</td> <td>1\"/&gt;  </td></tr></td></tr></td></tr></td></tr></td></tr></td></tr></td></tr></td></tr></td></tr></td></tr>   | U-41 | " | " | V-675 | 122 | 1/2 | 2900    | 1\"/> <tr> <td>U-42</td> <td>"</td> <td>"</td> <td>V-675</td> <td>122</td> <td>1/2</td> <td>2900</td> <td>1\"/&gt;  <tr> <td>U-43</td> <td>"</td> <td>"</td> <td>V-675</td> <td>122</td> <td>1/2</td> <td>2900</td> <td>1\"/&gt;  <tr> <td>U-44</td> <td>"</td> <td>"</td> <td>V-675</td> <td>122</td> <td>1/2</td> <td>2900</td> <td>1\"/&gt;  <tr> <td>U-45</td> <td>"</td> <td>"</td> <td>V-675</td> <td>122</td> <td>1/2</td> <td>2900</td> <td>1\"/&gt;  <tr> <td>U-46</td> <td>"</td> <td>"</td> <td>V-675</td> <td>122</td> <td>1/2</td> <td>2900</td> <td>1\"/&gt;  <tr> <td>U-47</td> <td>"</td> <td>"</td> <td>V-675</td> <td>122</td> <td>1/2</td> <td>2900</td> <td>1\"/&gt;  <tr> <td>U-48</td> <td>"</td> <td>"</td> <td>V-675</td> <td>122</td> <td>1/2</td> <td>2900</td> <td>1\"/&gt;  <tr>
<td>U-49</td> <td>"</td> <td>"</td> <td>V-675</td> <td>122</td> <td>1/2</td> <td>2900</td> <td>1\"/&gt;  <tr> <td>U-50</td> <td>"</td> <td>"</td> <td>V-675</td> <td>122</td> <td>1/2</td> <td>2900</td> <td>1\"/&gt;  </td></tr></td></tr></td></tr></td></tr></td></tr></td></tr></td></tr></td></tr></td></tr>  | U-42 | "           | "      | V-675  | 122  | 1/2 | 2900 | 1\"/> <tr> <td>U-43</td> <td>"</td> <td>"</td> <td>V-675</td> <td>122</td> <td>1/2</td> <td>2900</td> <td>1\"/&gt;  <tr> <td>U-44</td> <td>"</td> <td>"</td> <td>V-675</td> <td>122</td> <td>1/2</td> <td>2900</td> <td>1\"/&gt;  <tr> <td>U-45</td> <td>"</td> <td>"</td> <td>V-675</td> <td>122</td> <td>1/2</td> <td>2900</td> <td>1\"/&gt;  <tr> <td>U-46</td> <td>"</td> <td>"</td> <td>V-675</td> <td>122</td> <td>1/2</td> <td>2900</td> <td>1\"/&gt;  <tr> <td>U-47</td> <td>"</td> <td>"</td> <td>V-675</td> <td>122</td> <td>1/2</td> <td>2900</td> <td>1\"/&gt;  <tr> <td>U-48</td> <td>"</td> <td>"</td> <td>V-675</td> <td>122</td> <td>1/2</td> <td>2900</td> <td>1\"/&gt;  <tr> <td>U-49</td> <td>"</td> <td>"</td> <td>V-675</td> <td>122</td> <td>1/2</td> <td>2900</td> <td>1\"/&gt;  <tr> <td>U-50</td> <td>"</td> <td>"</td> <td>V-675</td> <td>122</td> <td>1/2</td> <td>2900</td> <td>1\"/&gt;  </td></tr></td></tr></td></tr></td></tr></td></tr></td></tr></td></tr></td></tr>   
  | U-43 | " | " | V-675  | 122  | 1/2 | 2900 | 1\"/> <tr> <td>U-44</td> <td>"</td> <td>"</td> <td>V-675</td> <td>122</td> <td>1/2</td> <td>2900</td> <td>1\"/&gt;  <tr> <td>U-45</td> <td>"</td> <td>"</td> <td>V-675</td> <td>122</td> <td>1/2</td> <td>2900</td> <td>1\"/&gt;  <tr> <td>U-46</td> <td>"</td> <td>"</td> <td>V-675</td> <td>122</td> <td>1/2</td> <td>2900</td> <td>1\"/&gt;  <tr> <td>U-47</td> <td>"</td> <td>"</td> <td>V-675</td> <td>122</td> <td>1/2</td> <td>2900</td> <td>1\"/&gt;  <tr> <td>U-48</td> <td>"</td> <td>"</td> <td>V-675</td> <td>122</td> <td>1/2</td> <td>2900</td> <td>1\"/&gt;  <tr> <td>U-49</td> <td>"</td> <td>"</td> <td>V-675</td> <td>122</td> <td>1/2</td> <td>2900</td> <td>1\"/&gt;  <tr> <td>U-50</td> <td>"</td> <td>"</td> <td>V-675</td> <td>122</td> <td>1/2</td> <td>2900</td> <td>1\"/&gt;  </td></tr></td></tr></td></tr></td></tr></td></tr></td></tr></td></tr>   | U-44 | " | " | V-675  | 122 | 1/2 | 2900 | 1\"/> <tr> <td>U-45</td> <td>"</td> <td>"</td> <td>V-675</td> <td>122</td> <td>1/2</td> <td>2900</td> <td>1\"/&gt;  <tr> <td>U-46</td> <td>"</td> <td>"</td> <td>V-675</td> <td>122</td> <td>1/2</td> <td>2900</td> <td>1\"/&gt;  <tr> <td>U-47</td> <td>"</td> <td>"</td> <td>V-675</td> <td>122</td> <td>1/2</td> <td>2900</td> <td>1\"/&gt;  <tr> <td>U-48</td> <td>"</td> <td>"</td> <td>V-675</td> <td>122</td> <td>1/2</td> <td>2900</td> <td>1\"/&gt;  <tr> <td>U-49</td> <td>"</td> <td>"</td> <td>V-675</td> <td>122</td> <td>1/2</td> <td>2900</td> <td>1\"/&gt;  <tr> <td>U-50</td> <td>"</td> <td>"</td> <td>V-675</td> <td>122</td> <td>1/2</td> <td>2900</td> <td>1\"/&gt;  </td></tr></td></tr></td></tr></td></tr></td></tr></td></tr>   
   | U-45 | " | " | V-675 | 122 | 1/2 | 2900 | 1\"/> <tr> <td>U-46</td> <td>"</td> <td>"</td> <td>V-675</td> <td>122</td> <td>1/2</td> <td>2900</td> <td>1\"/&gt;  <tr> <td>U-47</td> <td>"</td> <td>"</td> <td>V-675</td> <td>122</td> <td>1/2</td> <td>2900</td> <td>1\"/&gt;  <tr> <td>U-48</td> <td>"</td> <td>"</td> <td>V-675</td> <td>122</td> <td>1/2</td> <td>2900</td> <td>1\"/&gt;  <tr> <td>U-49</td> <td>"</td> <td>"</td> <td>V-675</td> <td>122</td> <td>1/2</td> <td>2900</td> <td>1\"/&gt;  <tr> <td>U-50</td> <td>"</td> <td>"</td> <td>V-675</td> <td>122</td> <td>1/2</td> <td>2900</td> <td>1\"/&gt;  </td></tr></td></tr></td></tr></td></tr></td></tr>  | U-46 | " | " | V-675 | 122 | 1/2 | 2900 | 1\"/> <tr> <td>U-47</td> <td>"</td> <td>"</td> <td>V-675</td> <td>122</td> <td>1/2</td> <td>2900</td> <td>1\"/&gt;  <tr> <td>U-48</td> <td>"</td> <td>"</td> <td>V-675</td> <td>122</td> <td>1/2</td> <td>2900</td> <td>1\"/&gt;  <tr> <td>U-49</td> <td>"</td> <td>"</td> <td>V-675</td> <td>122</td> <td>1/2</td> <td>2900</td> <td>1\"/&gt;  <tr> <td>U-50</td> <td>"</td> <td>"</td> <td>V-675</td> <td>122</td> <td>1/2</td> <td>2900</td> <td>1\"/&gt;  </td></tr></td></tr></td></tr></td></tr>  
  | U-47 | " | " | V-675 | 122 | 1/2 | 2900 | 1\"/> <tr> <td>U-48</td> <td>"</td> <td>"</td> <td>V-675</td> <td>122</td> <td>1/2</td> <td>2900</td> <td>1\"/&gt;  <tr> <td>U-49</td> <td>"</td> <td>"</td> <td>V-675</td> <td>122</td> <td>1/2</td> <td>2900</td> <td>1\"/&gt;  <tr> <td>U-50</td> <td>"</td> <td>"</td> <td>V-675</td> <td>122</td> <td>1/2</td> <td>2900</td> <td>1\"/&gt;  </td></tr></td></tr></td></tr>  | U-48 | " | " | V-675 | 122 | 1/2 | 2900 | 1\"/> <tr> <td>U-49</td> <td>"</td> <td>"</td> <td>V-675</td> <td>122</td> <td>1/2</td> <td>2900</td> <td>1\"/&gt;  <tr> <td>U-50</td> <td>"</td> <td>"</td> <td>V-675</td> <td>122</td> <td>1/2</td> <td>2900</td> <td>1\"/&gt;  </td></tr></td></tr>   
   | U-49 | " | " | V-675 | 122 | 1/2 | 2900 | 1\"/> <tr> <td>U-50</td> <td>"</td> <td>"</td> <td>V-675</td> <td>122</td> <td>1/2</td> <td>2900</td> <td>1\"/&gt;  </td></tr>  | U-50 | " | " | V-675 | 122 | 1/2 | 2900 | 1\"/>   
  |      |   |   |       |     |     |      |  |      |   |   |       |     |     |      | | | | | | | | | | | | | | | | | | | | | | | | | | | | | | | | | | | | | | | | | | | | | | | | | |
  |      |   |   |       |     |     |      |  |      |   |   |       |     |     |      |   
  |      |   |   |       |     |     |      |  |      |   |   |       |     |     |      |   
  |      |   |   |       |     |     |      |  |      |   |   |       |     |     |      |  |      |   |   |       |     |     |      |  
   |      |   |   |       |     |     |      |  |      |   |   |       |     |     |      |  
   |      |   |   |       |     |     |      |  |      |   |   |       |     |     |      |  |      |   |   |       |     |     |      |   
  |      |   |   |       |     |     |      |  |      |   |   |       |     |     |      |  |      |   |   |       |     |     |      |  |      |   |   |       |     |     |      |   
  |      |   |   |       |     |     |      |  |      |   |   |       |     |     |      |  |      |   |   |       |     |     |      |  
   |      |   |   |       |     |     |      |  |      |   |   |       |     |     |      |  |      |   |   |       |     |     |      |  |      |   |   |       |     |     |      |  |      |   |   |       |     |     |      |   
  |      |   |   |       |     |     |      |  |      |   |   |       |     |     |      |  |      |   |   |       |     |     |      |  |      |   |   |       |     |     |      |  |      |   |   |       |     |     |      |  |      |   |   |       |     |     |      |  |      |   |   |       |     |     |      |  
   |      |   |   |       |     |     |      |  |      |   |   |       |     |     |      |  |      |   |   |       |     |     |      |  |      |   |   |       |     |     |      |  |      |   |   |       |     |     |      |  |      |   |   |       |     |     |      |  |      |   |   |       |     |     |      |  |      |   |   |       |     |     |      |       |
| U-37 | "             | "                       | V-675    | 122  | 1/2           | 2900    | 1\"/> <tr> <td>U-38</td> <td>"</td> <td>"</td> <td>V-675</td> <td>122</td> <td>1/2</td> <td>2900</td> <td>1\"/&gt;  <tr> <td>U-39</td> <td>"</td> <td>"</td> <td>V-675</td> <td>122</td> <td>1/2</td> <td>2900</td> <td>1\"/&gt;  <tr> <td>U-40</td> <td>"</td> <td>"</td> <td>V-675</td> <td>122</td> <td>1/2</td> <td>2900</td> <td>1\"/&gt;  <tr> <td>U-41</td> <td>"</td> <td>"</td> <td>V-675</td> <td>122</td> <td>1/2</td> <td>2900</td> <td>1\"/&gt;  <tr> <td>U-42</td> <td>"</td> <td>"</td> <td>V-675</td> <td>122</td> <td>1/2</td> <td>2900</td> <td>1\"/&gt;  <tr> <td>U-43</td> <td>"</td> <td>"</td> <td>V-675</td> <td>122</td> <td>1/2</td> <td>2900</td> <td>1\"/&gt;  <tr> <td>U-44</td> <td>"</td> <td>"</td> <td>V-675</td> <td>122</td> <td>1/2</td> <td>2900</td> <td>1\"/&gt;  <tr> <td>U-45</td> <td>"</td> <td>"</td> <td>V-675</td> <td>122</td> <td>1/2</td> <td>2900</td> <td>1\"/&gt;  <tr> <td>U-46</td> <td>"</td> <td>"</td> <td>V-675</td> <td>122</td> <td>1/2</td> <td>2900</td> <td>1\"/&gt;  <tr> <td>U-47</td> <td>"</td> <td>"</td> <td>V-675</td> <td>122</td> <td>1/2</td> <td>2900</td> <td>1\"/&gt;  <tr> <td>U-48</td> <td>"</td> <td>"</td> <td>V-675</td> <td>122</td> <td>1/2</td> <td>2900</td> <td>1\"/&gt;  <tr> <td>U-49</td> <td>"</td> <td>"</td> <td>V-675</td> <td>122</td> <td>1/2</td> <td>2900</td> <td>1\"/&gt;  <tr> <td>U-50</td> <td>"</td> <td>"</td> <td>V-675</td> <td>122</td> <td>1/2</td> <td>2900</td> <td>1\"/&gt;  </td></tr></td></tr></td></tr></td></tr></td></tr></td></tr></td></tr></td></tr></td></tr></td></tr></td></tr></td></tr></td></tr>  | U-38 | " | " | V-675  | 122  | 1/2 | 2900   | 1\"/> <tr> <td>U-39</td> <td>"</td> <td>"</td> <td>V-675</td> <td>122</td> <td>1/2</td> <td>2900</td> <td>1\"/&gt;  <tr> <td>U-40</td> <td>"</td> <td>"</td> <td>V-675</td> <td>122</td> <td>1/2</td> <td>2900</td> <td>1\"/&gt;  <tr> <td>U-41</td> <td>"</td> <td>"</td> <td>V-675</td> <td>122</td> <td>1/2</td> <td>2900</td> <td>1\"/&gt;  <tr> <td>U-42</td> <td>"</td> <td>"</td> <td>V-675</td> <td>122</td> <td>1/2</td> <td>2900</td> <td>1\"/&gt;  <tr> <td>U-43</td> <td>"</td> <td>"</td> <td>V-675</td> <td>122</td> <td>1/2</td> <td>2900</td> <td>1\"/&gt;  <tr> <td>U-44</td> <td>"</td> <td>"</td> <td>V-675</td> <td>122</td> <td>1/2</td> <td>2900</td> <td>1\"/&gt;  <tr> <td>U-45</td> <td>"</td> <td>"</td> <td>V-675</td> <td>122</td> <td>1/2</td> <td>2900</td> <td>1\"/&gt;  <tr> <td>U-46</td> <td>"</td> <td>"</td> <td>V-675</td> <td>122</td> <td>1/2</td> <td>2900</td> <td>1\"/&gt;  <tr> <td>U-47</td> <td>"</td> <td>"</td> <td>V-675</td> <td>122</td> <td>1/2</td> <td>2900</td> <td>1\"/&gt;  <tr> <td>U-48</td> <td>"</td> <td>"</td> <td>V-675</td> <td>122</td> <td>1/2</td> <td>2900</td> <td>1\"/&gt;  <tr> <td>U-49</td> <td>"</td> <td>"</td> <td>V-675</td> <td>122</td> <td>1/2</td> <td>2900</td> <td>1\"/&gt;  <tr> <td>U-50</td> <td>"</td> <td>"</td> <td>V-675</td> <td>122</td> <td>1/2</td> <td>2900</td> <td>1\"/&gt;  </td></tr></td></tr></td></tr></td></tr></td></tr></td></tr></td></tr></td></tr></td></tr></td></tr></td></tr></td></tr>  
  | U-39 | " | " | V-675  | 122 | 1/2 | 2900   | 1\"/> <tr> <td>U-40</td> <td>"</td> <td>"</td> <td>V-675</td> <td>122</td> <td>1/2</td> <td>2900</td> <td>1\"/&gt;  <tr> <td>U-41</td> <td>"</td> <td>"</td> <td>V-675</td> <td>122</td> <td>1/2</td> <td>2900</td> <td>1\"/&gt;  <tr> <td>U-42</td> <td>"</td> <td>"</td> <td>V-675</td> <td>122</td> <td>1/2</td> <td>2900</td> <td>1\"/&gt;  <tr> <td>U-43</td> <td>"</td> <td>"</td> <td>V-675</td> <td>122</td> <td>1/2</td> <td>2900</td> <td>1\"/&gt;  <tr> <td>U-44</td> <td>"</td> <td>"</td> <td>V-675</td> <td>122</td> <td>1/2</td> <td>2900</td> <td>1\"/&gt;  <tr> <td>U-45</td> <td>"</td> <td>"</td> <td>V-675</td> <td>122</td> <td>1/2</td> <td>2900</td> <td>1\"/&gt;  <tr> <td>U-46</td> <td>"</td> <td>"</td> <td>V-675</td> <td>122</td> <td>1/2</td> <td>2900</td> <td>1\"/&gt;  <tr> <td>U-47</td> <td>"</td> <td>"</td> <td>V-675</td> <td>122</td> <td>1/2</td> <td>2900</td> <td>1\"/&gt;  <tr> <td>U-48</td> <td>"</td> <td>"</td> <td>V-675</td> <td>122</td> <td>1/2</td> <td>2900</td> <td>1\"/&gt;  <tr> <td>U-49</td> <td>"</td> <td>"</td> <td>V-675</td> <td>122</td> <td>1/2</td> <td>2900</td> <td>1\"/&gt;  <tr> <td>U-50</td> <td>"</td> <td>"</td> <td>V-675</td> <td>122</td> <td>1/2</td> <td>2900</td> <td>1\"/&gt;  </td></tr></td></tr></td></tr></td></tr></td></tr></td></tr></td></tr></td></tr></td></tr></td></tr></td></tr>   | U-40 | " | " | V-675 | 122 | 1/2 | 2900    | 1\"/> <tr> <td>U-41</td> <td>"</td> <td>"</td> <td>V-675</td> <td>122</td> <td>1/2</td> <td>2900</td> <td>1\"/&gt;  <tr> <td>U-42</td> <td>"</td> <td>"</td> <td>V-675</td> <td>122</td> <td>1/2</td> <td>2900</td> <td>1\"/&gt;  <tr> <td>U-43</td> <td>"</td> <td>"</td> <td>V-675</td> <td>122</td> <td>1/2</td> <td>2900</td> <td>1\"/&gt;  <tr> <td>U-44</td> <td>"</td> <td>"</td> <td>V-675</td> <td>122</td> <td>1/2</td> <td>2900</td> <td>1\"/&gt;  <tr> <td>U-45</td> <td>"</td> <td>"</td> <td>V-675</td> <td>122</td> <td>1/2</td> <td>2900</td> <td>1\"/&gt;  <tr> <td>U-46</td> <td>"</td> <td>"</td> <td>V-675</td> <td>122</td> <td>1/2</td> <td>2900</td> <td>1\"/&gt;  <tr> <td>U-47</td> <td>"</td> <td>"</td> <td>V-675</td> <td>122</td> <td>1/2</td> <td>2900</td> <td>1\"/&gt;  <tr> <td>U-48</td> <td>"</td> <td>"</td> <td>V-675</td> <td>122</td> <td>1/2</td> <td>2900</td> <td>1\"/&gt;  <tr> <td>U-49</td> <td>"</td> <td>"</td> <td>V-675</td> <td>122</td> <td>1/2</td> <td>2900</td> <td>1\"/&gt;  <tr> <td>U-50</td> <td>"</td> <td>"</td> <td>V-675</td> <td>122</td> <td>1/2</td> <td>2900</td> <td>1\"/&gt;  </td></tr></td></tr></td></tr></td></tr></td></tr></td></tr></td></tr></td></tr></td></tr></td></tr>  
   | U-41 | " | " | V-675 | 122 | 1/2 | 2900   | 1\"/> <tr> <td>U-42</td> <td>"</td> <td>"</td> <td>V-675</td> <td>122</td> <td>1/2</td> <td>2900</td> <td>1\"/&gt;  <tr> <td>U-43</td> <td>"</td> <td>"</td> <td>V-675</td> <td>122</td> <td>1/2</td> <td>2900</td> <td>1\"/&gt;  <tr> <td>U-44</td> <td>"</td> <td>"</td> <td>V-675</td> <td>122</td> <td>1/2</td> <td>2900</td> <td>1\"/&gt;  <tr> <td>U-45</td> <td>"</td> <td>"</td> <td>V-675</td> <td>122</td> <td>1/2</td> <td>2900</td> <td>1\"/&gt;  <tr> <td>U-46</td> <td>"</td> <td>"</td> <td>V-675</td> <td>122</td> <td>1/2</td> <td>2900</td> <td>1\"/&gt;  <tr> <td>U-47</td> <td>"</td> <td>"</td> <td>V-675</td> <td>122</td> <td>1/2</td> <td>2900</td> <td>1\"/&gt;  <tr> <td>U-48</td> <td>"</td> <td>"</td> <td>V-675</td> <td>122</td> <td>1/2</td> <td>2900</td> <td>1\"/&gt;  <tr> <td>U-49</td> <td>"</td> <td>"</td> <td>V-675</td> <td>122</td> <td>1/2</td> <td>2900</td> <td>1\"/&gt;  <tr> <td>U-50</td> <td>"</td> <td>"</td> <td>V-675</td> <td>122</td> <td>1/2</td> <td>2900</td> <td>1\"/&gt;  </td></tr></td></tr></td></tr></td></tr></td></tr></td></tr></td></tr></td></tr></td></tr>   | U-42 | " | " | V-675 | 122 | 1/2 | 2900    | 1\"/> <tr> <td>U-43</td> <td>"</td> <td>"</td> <td>V-675</td> <td>122</td> <td>1/2</td> <td>2900</td> <td>1\"/&gt;  <tr> <td>U-44</td> <td>"</td> <td>"</td> <td>V-675</td> <td>122</td> <td>1/2</td> <td>2900</td> <td>1\"/&gt;  <tr> <td>U-45</td> <td>"</td> <td>"</td> <td>V-675</td> <td>122</td> <td>1/2</td> <td>2900</td> <td>1\"/&gt;  <tr> <td>U-46</td> <td>"</td> <td>"</td> <td>V-675</td> <td>122</td> <td>1/2</td> <td>2900</td> <td>1\"/&gt;  <tr> <td>U-47</td> <td>"</td> <td>"</td> <td>V-675</td> <td>122</td> <td>1/2</td> <td>2900</td> <td>1\"/&gt;  <tr> <td>U-48</td> <td>"</td> <td>"</td> <td>V-675</td> <td>122</td> <td>1/2</td> <td>2900</td> <td>1\"/&gt;  <tr> <td>U-49</td> <td>"</td> <td>"</td> <td>V-675</td> <td>122</td> <td>1/2</td> <td>2900</td> <td>1\"/&gt;  <tr>
<td>U-50</td> <td>"</td> <td>"</td> <td>V-675</td> <td>122</td> <td>1/2</td> <td>2900</td> <td>1\"/&gt;  </td></tr></td></tr></td></tr></td></tr></td></tr></td></tr></td></tr></td></tr>  | U-43 | "           | "      | V-675  | 122  | 1/2 | 2900 | 1\"/> <tr> <td>U-44</td> <td>"</td> <td>"</td> <td>V-675</td> <td>122</td> <td>1/2</td> <td>2900</td> <td>1\"/&gt;  <tr> <td>U-45</td> <td>"</td> <td>"</td> <td>V-675</td> <td>122</td> <td>1/2</td> <td>2900</td> <td>1\"/&gt;  <tr> <td>U-46</td> <td>"</td> <td>"</td> <td>V-675</td> <td>122</td> <td>1/2</td> <td>2900</td> <td>1\"/&gt;  <tr> <td>U-47</td> <td>"</td> <td>"</td> <td>V-675</td> <td>122</td> <td>1/2</td> <td>2900</td> <td>1\"/&gt;  <tr> <td>U-48</td> <td>"</td> <td>"</td> <td>V-675</td> <td>122</td> <td>1/2</td> <td>2900</td> <td>1\"/&gt;  <tr> <td>U-49</td> <td>"</td> <td>"</td> <td>V-675</td> <td>122</td> <td>1/2</td> <td>2900</td> <td>1\"/&gt;  <tr> <td>U-50</td> <td>"</td> <td>"</td> <td>V-675</td> <td>122</td> <td>1/2</td> <td>2900</td> <td>1\"/&gt;  </td></tr></td></tr></td></tr></td></tr></td></tr></td></tr></td></tr>   
  | U-44 | " | " | V-675  | 122  | 1/2 | 2900 | 1\"/> <tr> <td>U-45</td> <td>"</td> <td>"</td> <td>V-675</td> <td>122</td> <td>1/2</td> <td>2900</td> <td>1\"/&gt;  <tr> <td>U-46</td> <td>"</td> <td>"</td> <td>V-675</td> <td>122</td> <td>1/2</td> <td>2900</td> <td>1\"/&gt;  <tr> <td>U-47</td> <td>"</td> <td>"</td> <td>V-675</td> <td>122</td> <td>1/2</td> <td>2900</td> <td>1\"/&gt;  <tr> <td>U-48</td> <td>"</td> <td>"</td> <td>V-675</td> <td>122</td> <td>1/2</td> <td>2900</td> <td>1\"/&gt;  <tr> <td>U-49</td> <td>"</td> <td>"</td> <td>V-675</td> <td>122</td> <td>1/2</td> <td>2900</td> <td>1\"/&gt;  <tr> <td>U-50</td> <td>"</td> <td>"</td> <td>V-675</td> <td>122</td> <td>1/2</td> <td>2900</td> <td>1\"/&gt;  </td></tr></td></tr></td></tr></td></tr></td></tr></td></tr>   | U-45 | " | " | V-675  | 122 | 1/2 | 2900 | 1\"/> <tr> <td>U-46</td> <td>"</td> <td>"</td> <td>V-675</td> <td>122</td> <td>1/2</td> <td>2900</td> <td>1\"/&gt;  <tr> <td>U-47</td> <td>"</td> <td>"</td> <td>V-675</td> <td>122</td> <td>1/2</td> <td>2900</td> <td>1\"/&gt;  <tr> <td>U-48</td> <td>"</td> <td>"</td> <td>V-675</td> <td>122</td> <td>1/2</td> <td>2900</td> <td>1\"/&gt;  <tr> <td>U-49</td> <td>"</td> <td>"</td> <td>V-675</td> <td>122</td> <td>1/2</td> <td>2900</td> <td>1\"/&gt;  <tr> <td>U-50</td> <td>"</td> <td>"</td> <td>V-675</td> <td>122</td> <td>1/2</td> <td>2900</td> <td>1\"/&gt;  </td></tr></td></tr></td></tr></td></tr></td></tr>   
   | U-46 | " | " | V-675 | 122 | 1/2 | 2900 | 1\"/> <tr> <td>U-47</td> <td>"</td> <td>"</td> <td>V-675</td> <td>122</td> <td>1/2</td> <td>2900</td> <td>1\"/&gt;  <tr> <td>U-48</td> <td>"</td> <td>"</td> <td>V-675</td> <td>122</td> <td>1/2</td> <td>2900</td> <td>1\"/&gt;  <tr> <td>U-49</td> <td>"</td> <td>"</td> <td>V-675</td> <td>122</td> <td>1/2</td> <td>2900</td> <td>1\"/&gt;  <tr> <td>U-50</td> <td>"</td> <td>"</td> <td>V-675</td> <td>122</td> <td>1/2</td> <td>2900</td> <td>1\"/&gt;  </td></tr></td></tr></td></tr></td></tr>  | U-47 | " | " | V-675 | 122 | 1/2 | 2900 | 1\"/> <tr> <td>U-48</td> <td>"</td> <td>"</td> <td>V-675</td> <td>122</td> <td>1/2</td> <td>2900</td> <td>1\"/&gt;  <tr> <td>U-49</td> <td>"</td> <td>"</td> <td>V-675</td> <td>122</td> <td>1/2</td> <td>2900</td> <td>1\"/&gt;  <tr> <td>U-50</td> <td>"</td> <td>"</td> <td>V-675</td> <td>122</td> <td>1/2</td> <td>2900</td> <td>1\"/&gt;  </td></tr></td></tr></td></tr>  
  | U-48 | " | " | V-675 | 122 | 1/2 | 2900 | 1\"/> <tr> <td>U-49</td> <td>"</td> <td>"</td> <td>V-675</td> <td>122</td> <td>1/2</td> <td>2900</td> <td>1\"/&gt;  <tr> <td>U-50</td> <td>"</td> <td>"</td> <td>V-675</td> <td>122</td> <td>1/2</td> <td>2900</td> <td>1\"/&gt;  </td></tr></td></tr>  | U-49 | " | " | V-675 | 122 | 1/2 | 2900 | 1\"/> <tr> <td>U-50</td> <td>"</td> <td>"</td> <td>V-675</td> <td>122</td> <td>1/2</td> <td>2900</td> <td>1\"/&gt;  </td></tr>   
   | U-50 | " | " | V-675 | 122 | 1/2 | 2900 | 1\"/>   |      |   |   |       |     |     |      | | | | | | | | | | | | | | | | | | | | | | | | | | | | | | | | | | | | | | | | | | | | | | | | | |
  |      |   |   |       |     |     |      |  |      |   |   |       |     |     |      |   
  |      |   |   |       |     |     |      |  |      |   |   |       |     |     |      |   
  |      |   |   |       |     |     |      |  |      |   |   |       |     |     |      |   
  |      |   |   |       |     |     |      |  |      |   |   |       |     |     |      |  |      |   |   |       |     |     |      |  
   |      |   |   |       |     |     |      |  |      |   |   |       |     |     |      |  
   |      |   |   |       |     |     |      |  |      |   |   |       |     |     |      |  |      |   |   |       |     |     |      |   
  |      |   |   |       |     |     |      |  |      |   |   |       |     |     |      |  |      |   |   |       |     |     |      |  |      |   |   |       |     |     |      |   
  |      |   |   |       |     |     |      |  |      |   |   |       |     |     |      |  |      |   |   |       |     |     |      |  
   |      |   |   |       |     |     |      |  |      |   |   |       |     |     |      |  |      |   |   |       |     |     |      |  |      |   |   |       |     |     |      |  |      |   |   |       |     |     |      |   
  |      |   |   |       |     |     |      |  |      |   |   |       |     |     |      |  |      |   |   |       |     |     |      |  |      |   |   |       |     |     |      |  |      |   |   |       |     |     |      |  |      |   |   |       |     |     |      |  |      |   |   |       |     |     |      |  
   |      |   |   |       |     |     |      |  |      |   |   |       |     |     |      |  |      |   |   |       |     |     |      |  |      |   |   |       |     |     |      |  |      |   |   |       |     |     |      |  |      |   |   |       |     |     |      |  |      |   |   |       |     |     |      |  |      |   |   |       |     |     |      |       |
| U-38 | "             | "                       | V-675    | 122  | 1/2           | 2900    | 1\"/> <tr> <td>U-39</td> <td>"</td> <td>"</td> <td>V-675</td> <td>122</td> <td>1/2</td> <td>2900</td> <td>1\"/&gt;  <tr> <td>U-40</td> <td>"</td> <td>"</td> <td>V-675</td> <td>122</td> <td>1/2</td> <td>2900</td> <td>1\"/&gt;  <tr> <td>U-41</td> <td>"</td> <td>"</td> <td>V-675</td> <td>122</td> <td>1/2</td> <td>2900</td> <td>1\"/&gt;  <tr> <td>U-42</td> <td>"</td> <td>"</td> <td>V-675</td> <td>122</td> <td>1/2</td> <td>2900</td> <td>1\"/&gt;  <tr> <td>U-43</td> <td>"</td> <td>"</td> <td>V-675</td> <td>122</td> <td>1/2</td> <td>2900</td> <td>1\"/&gt;  <tr> <td>U-44</td> <td>"</td> <td>"</td> <td>V-675</td> <td>122</td> <td>1/2</td> <td>2900</td> <td>1\"/&gt;  <tr> <td>U-45</td> <td>"</td> <td>"</td> <td>V-675</td> <td>122</td> <td>1/2</td> <td>2900</td> <td>1\"/&gt;  <tr> <td>U-46</td> <td>"</td> <td>"</td> <td>V-675</td> <td>122</td> <td>1/2</td> <td>2900</td> <td>1\"/&gt;  <tr> <td>U-47</td> <td>"</td> <td>"</td> <td>V-675</td> <td>122</td> <td>1/2</td> <td>2900</td> <td>1\"/&gt;  <tr> <td>U-48</td> <td>"</td> <td>"</td> <td>V-675</td> <td>122</td> <td>1/2</td> <td>2900</td> <td>1\"/&gt;  <tr> <td>U-49</td> <td>"</td> <td>"</td> <td>V-675</td> <td>122</td> <td>1/2</td> <td>2900</td> <td>1\"/&gt;  <tr> <td>U-50</td> <td>"</td> <td>"</td> <td>V-675</td> <td>122</td> <td>1/2</td> <td>2900</td> <td>1\"/&gt;  </td></tr></td></tr></td></tr></td></tr></td></tr></td></tr></td></tr></td></tr></td></tr></td></tr></td></tr></td></tr>  | U-39 | " | " | V-675  | 122  | 1/2 | 2900   | 1\"/> <tr> <td>U-40</td> <td>"</td> <td>"</td> <td>V-675</td> <td>122</td> <td>1/2</td> <td>2900</td> <td>1\"/&gt;  <tr> <td>U-41</td> <td>"</td> <td>"</td> <td>V-675</td> <td>122</td> <td>1/2</td> <td>2900</td> <td>1\"/&gt;  <tr> <td>U-42</td> <td>"</td> <td>"</td> <td>V-675</td> <td>122</td> <td>1/2</td> <td>2900</td> <td>1\"/&gt;  <tr> <td>U-43</td> <td>"</td> <td>"</td> <td>V-675</td> <td>122</td> <td>1/2</td> <td>2900</td> <td>1\"/&gt;  <tr> <td>U-44</td> <td>"</td> <td>"</td> <td>V-675</td> <td>122</td> <td>1/2</td> <td>2900</td> <td>1\"/&gt;  <tr> <td>U-45</td> <td>"</td> <td>"</td> <td>V-675</td> <td>122</td> <td>1/2</td> <td>2900</td> <td>1\"/&gt;  <tr> <td>U-46</td> <td>"</td> <td>"</td> <td>V-675</td> <td>122</td> <td>1/2</td> <td>2900</td> <td>1\"/&gt;  <tr> <td>U-47</td> <td>"</td> <td>"</td> <td>V-675</td> <td>122</td> <td>1/2</td> <td>2900</td> <td>1\"/&gt;  <tr> <td>U-48</td> <td>"</td> <td>"</td> <td>V-675</td> <td>122</td> <td>1/2</td> <td>2900</td> <td>1\"/&gt;  <tr> <td>U-49</td> <td>"</td> <td>"</td> <td>V-675</td> <td>122</td> <td>1/2</td> <td>2900</td> <td>1\"/&gt;  <tr> <td>U-50</td> <td>"</td> <td>"</td> <td>V-675</td> <td>122</td> <td>1/2</td> <td>2900</td> <td>1\"/&gt;  </td></tr></td></tr></td></tr></td></tr></td></tr></td></tr></td></tr></td></tr></td></tr></td></tr></td></tr>  
  | U-40 | " | " | V-675  | 122 | 1/2 | 2900   | 1\"/> <tr> <td>U-41</td> <td>"</td> <td>"</td> <td>V-675</td> <td>122</td> <td>1/2</td> <td>2900</td> <td>1\"/&gt;  <tr> <td>U-42</td> <td>"</td> <td>"</td> <td>V-675</td> <td>122</td> <td>1/2</td> <td>2900</td> <td>1\"/&gt;  <tr> <td>U-43</td> <td>"</td> <td>"</td> <td>V-675</td> <td>122</td> <td>1/2</td> <td>2900</td> <td>1\"/&gt;  <tr> <td>U-44</td> <td>"</td> <td>"</td> <td>V-675</td> <td>122</td> <td>1/2</td> <td>2900</td> <td>1\"/&gt;  <tr> <td>U-45</td> <td>"</td> <td>"</td> <td>V-675</td> <td>122</td> <td>1/2</td> <td>2900</td> <td>1\"/&gt;  <tr> <td>U-46</td> <td>"</td> <td>"</td> <td>V-675</td> <td>122</td> <td>1/2</td> <td>2900</td> <td>1\"/&gt;  <tr> <td>U-47</td> <td>"</td> <td>"</td> <td>V-675</td> <td>122</td> <td>1/2</td> <td>2900</td> <td>1\"/&gt;  <tr> <td>U-48</td> <td>"</td> <td>"</td> <td>V-675</td> <td>122</td> <td>1/2</td> <td>2900</td> <td>1\"/&gt;  <tr> <td>U-49</td> <td>"</td> <td>"</td> <td>V-675</td> <td>122</td> <td>1/2</td> <td>2900</td> <td>1\"/&gt;  <tr> <td>U-50</td> <td>"</td> <td>"</td> <td>V-675</td> <td>122</td> <td>1/2</td> <td>2900</td> <td>1\"/&gt;  </td></tr></td></tr></td></tr></td></tr></td></tr></td></tr></td></tr></td></tr></td></tr></td></tr>   | U-41 | " | " | V-675 | 122 | 1/2 | 2900    | 1\"/> <tr> <td>U-42</td> <td>"</td> <td>"</td> <td>V-675</td> <td>122</td> <td>1/2</td> <td>2900</td> <td>1\"/&gt;  <tr> <td>U-43</td> <td>"</td> <td>"</td> <td>V-675</td> <td>122</td> <td>1/2</td> <td>2900</td> <td>1\"/&gt;  <tr> <td>U-44</td> <td>"</td> <td>"</td> <td>V-675</td> <td>122</td> <td>1/2</td> <td>2900</td> <td>1\"/&gt;  <tr> <td>U-45</td> <td>"</td> <td>"</td> <td>V-675</td> <td>122</td> <td>1/2</td> <td>2900</td> <td>1\"/&gt;  <tr> <td>U-46</td> <td>"</td> <td>"</td> <td>V-675</td> <td>122</td> <td>1/2</td> <td>2900</td> <td>1\"/&gt;  <tr> <td>U-47</td> <td>"</td> <td>"</td> <td>V-675</td> <td>122</td> <td>1/2</td> <td>2900</td> <td>1\"/&gt;  <tr> <td>U-48</td> <td>"</td> <td>"</td> <td>V-675</td> <td>122</td> <td>1/2</td> <td>2900</td> <td>1\"/&gt;  <tr> <td>U-49</td> <td>"</td> <td>"</td> <td>V-675</td> <td>122</td> <td>1/2</td> <td>2900</td> <td>1\"/&gt;  <tr> <td>U-50</td> <td>"</td> <td>"</td> <td>V-675</td> <td>122</td> <td>1/2</td> <td>2900</td> <td>1\"/&gt;  </td></tr></td></tr></td></tr></td></tr></td></tr></td></tr></td></tr></td></tr></td></tr>  
   | U-42 | " | " | V-675 | 122 | 1/2 | 2900   | 1\"/> <tr> <td>U-43</td> <td>"</td> <td>"</td> <td>V-675</td> <td>122</td> <td>1/2</td> <td>2900</td> <td>1\"/&gt;  <tr> <td>U-44</td> <td>"</td> <td>"</td> <td>V-675</td> <td>122</td> <td>1/2</td> <td>2900</td> <td>1\"/&gt;  <tr> <td>U-45</td> <td>"</td> <td>"</td> <td>V-675</td> <td>122</td> <td>1/2</td> <td>2900</td> <td>1\"/&gt;  <tr> <td>U-46</td> <td>"</td> <td>"</td> <td>V-675</td> <td>122</td> <td>1/2</td> <td>2900</td> <td>1\"/&gt;  <tr> <td>U-47</td> <td>"</td> <td>"</td> <td>V-675</td> <td>122</td> <td>1/2</td> <td>2900</td> <td>1\"/&gt;  <tr> <td>U-48</td> <td>"</td> <td>"</td> <td>V-675</td> <td>122</td> <td>1/2</td> <td>2900</td> <td>1\"/&gt;  <tr> <td>U-49</td> <td>"</td> <td>"</td> <td>V-675</td> <td>122</td> <td>1/2</td> <td>2900</td> <td>1\"/&gt;  <tr> <td>U-50</td> <td>"</td> <td>"</td> <td>V-675</td> <td>122</td> <td>1/2</td> <td>2900</td> <td>1\"/&gt;  </td></tr></td></tr></td></tr></td></tr></td></tr></td></tr></td></tr></td></tr>   | U-43 | " | " | V-675 | 122 | 1/2 | 2900    | 1\"/> <tr> <td>U-44</td> <td>"</td> <td>"</td> <td>V-675</td> <td>122</td> <td>1/2</td> <td>2900</td> <td>1\"/&gt;  <tr> <td>U-45</td> <td>"</td> <td>"</td> <td>V-675</td> <td>122</td> <td>1/2</td> <td>2900</td> <td>1\"/&gt;  <tr> <td>U-46</td> <td>"</td> <td>"</td> <td>V-675</td> <td>122</td> <td>1/2</td> <td>2900</td> <td>1\"/&gt;  <tr> <td>U-47</td> <td>"</td> <td>"</td> <td>V-675</td> <td>122</td> <td>1/2</td> <td>2900</td> <td>1\"/&gt;  <tr> <td>U-48</td> <td>"</td> <td>"</td> <td>V-675</td> <td>122</td> <td>1/2</td> <td>2900</td> <td>1\"/&gt;  <tr> <td>U-49</td> <td>"</td> <td>"</td> <td>V-675</td> <td>122</td> <td>1/2</td> <td>2900</td> <td>1\"/&gt;  <tr> <td>U-50</td> <td>"</td> <td>"</td> <td>V-675</td> <td>122</td> <td>1/2</td> <td>2900</td> <td>1\"/&gt; 
</td></tr></td></tr></td></tr></td></tr></td></tr></td></tr></td></tr>  | U-44 | "           | "      | V-675  | 122  | 1/2 | 2900 | 1\"/> <tr> <td>U-45</td> <td>"</td> <td>"</td> <td>V-675</td> <td>122</td> <td>1/2</td> <td>2900</td> <td>1\"/&gt;  <tr> <td>U-46</td> <td>"</td> <td>"</td> <td>V-675</td> <td>122</td> <td>1/2</td> <td>2900</td> <td>1\"/&gt;  <tr> <td>U-47</td> <td>"</td> <td>"</td> <td>V-675</td> <td>122</td> <td>1/2</td> <td>2900</td> <td>1\"/&gt;  <tr> <td>U-48</td> <td>"</td> <td>"</td> <td>V-675</td> <td>122</td> <td>1/2</td> <td>2900</td> <td>1\"/&gt;  <tr> <td>U-49</td> <td>"</td> <td>"</td> <td>V-675</td> <td>122</td> <td>1/2</td> <td>2900</td> <td>1\"/&gt;  <tr> <td>U-50</td> <td>"</td> <td>"</td> <td>V-675</td> <td>122</td> <td>1/2</td> <td>2900</td> <td>1\"/&gt;  </td></tr></td></tr></td></tr></td></tr></td></tr></td></tr>  
   | U-45 | " | " | V-675  | 122  | 1/2 | 2900 | 1\"/> <tr> <td>U-46</td> <td>"</td> <td>"</td> <td>V-675</td> <td>122</td> <td>1/2</td> <td>2900</td> <td>1\"/&gt;  <tr> <td>U-47</td> <td>"</td> <td>"</td> <td>V-675</td> <td>122</td> <td>1/2</td> <td>2900</td> <td>1\"/&gt;  <tr> <td>U-48</td> <td>"</td> <td>"</td> <td>V-675</td> <td>122</td> <td>1/2</td> <td>2900</td> <td>1\"/&gt;  <tr> <td>U-49</td> <td>"</td> <td>"</td> <td>V-675</td> <td>122</td> <td>1/2</td> <td>2900</td> <td>1\"/&gt;  <tr> <td>U-50</td> <td>"</td> <td>"</td> <td>V-675</td> <td>122</td> <td>1/2</td> <td>2900</td> <td>1\"/&gt;  </td></tr></td></tr></td></tr></td></tr></td></tr>   | U-46 | " | " | V-675  | 122 | 1/2 | 2900 | 1\"/> <tr> <td>U-47</td> <td>"</td> <td>"</td> <td>V-675</td> <td>122</td> <td>1/2</td> <td>2900</td> <td>1\"/&gt;  <tr> <td>U-48</td> <td>"</td> <td>"</td> <td>V-675</td> <td>122</td> <td>1/2</td> <td>2900</td> <td>1\"/&gt;  <tr> <td>U-49</td> <td>"</td> <td>"</td> <td>V-675</td> <td>122</td> <td>1/2</td> <td>2900</td> <td>1\"/&gt;  <tr> <td>U-50</td> <td>"</td> <td>"</td> <td>V-675</td> <td>122</td> <td>1/2</td> <td>2900</td> <td>1\"/&gt;  </td></tr></td></tr></td></tr></td></tr>  
  | U-47 | " | " | V-675 | 122 | 1/2 | 2900 | 1\"/> <tr> <td>U-48</td> <td>"</td> <td>"</td> <td>V-675</td> <td>122</td> <td>1/2</td> <td>2900</td> <td>1\"/&gt;  <tr> <td>U-49</td> <td>"</td> <td>"</td> <td>V-675</td> <td>122</td> <td>1/2</td> <td>2900</td> <td>1\"/&gt;  <tr> <td>U-50</td> <td>"</td> <td>"</td> <td>V-675</td> <td>122</td> <td>1/2</td> <td>2900</td> <td>1\"/&gt;  </td></tr></td></tr></td></tr>  | U-48 | " | " | V-675 | 122 | 1/2 | 2900 | 1\"/> <tr> <td>U-49</td> <td>"</td> <td>"</td> <td>V-675</td> <td>122</td> <td>1/2</td> <td>2900</td> <td>1\"/&gt;  <tr> <td>U-50</td> <td>"</td> <td>"</td> <td>V-675</td> <td>122</td> <td>1/2</td> <td>2900</td> <td>1\"/&gt;  </td></tr></td></tr>   
   | U-49 | " | " | V-675 | 122 | 1/2 | 2900 | 1\"/> <tr> <td>U-50</td> <td>"</td> <td>"</td> <td>V-675</td> <td>122</td> <td>1/2</td> <td>2900</td> <td>1\"/&gt;  </td></tr>  | U-50 | " | " | V-675 | 122 | 1/2 | 2900 | 1\"/>   
  |      |   |   |       |     |     |      |   |      |   |   |       |     |     |      | | | | | | | | | | | | | | | | | | | | | | | | | | | | | | | | | | | | | | | | | | | | | | | | | |
   |      |   |   |       |     |     |      |  |      |   |   |       |     |     |      |  
   |      |   |   |       |     |     |      |  |      |   |   |       |     |     |      |  
   |      |   |   |       |     |     |      |  |      |   |   |       |     |     |      |  
   |      |   |   |       |     |     |      |  |      |   |   |       |     |     |      |  |      |   |   |       |     |     |      |   
  |      |   |   |       |     |     |      |  |      |   |   |       |     |     |      |   
  |      |   |   |       |     |     |      |  |      |   |   |       |     |     |      |  |      |   |   |       |     |     |      |  
   |      |   |   |       |     |     |      |  |      |   |   |       |     |     |      |  |      |   |   |       |     |     |      |  |      |   |   |       |     |     |      |  
   |      |   |   |       |     |     |      |  |      |   |   |       |     |     |      |  |      |   |   |       |     |     |      |   
  |      |   |   |       |     |     |      |  |      |   |   |       |     |     |      |  |      |   |   |       |     |     |      |  |      |   |   |       |     |     |      |  |      |   |   |       |     |     |      |  
   |      |   |   |       |     |     |      |  |      |   |   |       |     |     |      |  |      |   |   |       |     |     |      |  |      |   |   |       |     |     |      |  |      |   |   |       |     |     |      |  |      |   |   |       |     |     |      |  |      |   |   |       |     |     |      |   
  |      |   |   |       |     |     |      |  |      |   |   |       |     |     |      |  |      |   |   |       |     |     |      |  |      |   |   |       |     |     |      |  |      |   |   |       |     |     |      |  |      |   |   |       |     |     |      |  |      |   |   |       |     |     |      |  |      |   |   |       |     |     |      |       |
| U-39 | "             | "                       | V-675    | 122  | 1/2           | 2900    | 1\"/> <tr> <td>U-40</td> <td>"</td> <td>"</td> <td>V-675</td> <td>122</td> <td>1/2</td> <td>2900</td> <td>1\"/&gt;  <tr> <td>U-41</td> <td>"</td> <td>"</td> <td>V-675</td> <td>122</td> <td>1/2</td> <td>2900</td> <td>1\"/&gt;  <tr> <td>U-42</td> <td>"</td> <td>"</td> <td>V-675</td> <td>122</td> <td>1/2</td> <td>2900</td> <td>1\"/&gt;  <tr> <td>U-43</td> <td>"</td> <td>"</td> <td>V-675</td> <td>122</td> <td>1/2</td> <td>2900</td> <td>1\"/&gt;  <tr> <td>U-44</td> <td>"</td> <td>"</td> <td>V-675</td> <td>122</td> <td>1/2</td> <td>2900</td> <td>1\"/&gt;  <tr> <td>U-45</td> <td>"</td> <td>"</td> <td>V-675</td> <td>122</td> <td>1/2</td> <td>2900</td> <td>1\"/&gt;  <tr> <td>U-46</td> <td>"</td> <td>"</td> <td>V-675</td> <td>122</td> <td>1/2</td> <td>2900</td> <td>1\"/&gt;  <tr> <td>U-47</td> <td>"</td> <td>"</td> <td>V-675</td> <td>122</td> <td>1/2</td> <td>2900</td> <td>1\"/&gt;  <tr> <td>U-48</td> <td>"</td> <td>"</td> <td>V-675</td> <td>122</td> <td>1/2</td> <td>2900</td> <td>1\"/&gt;  <tr> <td>U-49</td> <td>"</td> <td>"</td> <td>V-675</td> <td>122</td> <td>1/2</td> <td>2900</td> <td>1\"/&gt;  <tr> <td>U-50</td> <td>"</td> <td>"</td> <td>V-675</td> <td>122</td> <td>1/2</td> <td>2900</td> <td>1\"/&gt;  </td></tr></td></tr></td></tr></td></tr></td></tr></td></tr></td></tr></td></tr></td></tr></td></tr></td></tr>  | U-40 | " | " | V-675  | 122  | 1/2 | 2900   | 1\"/> <tr> <td>U-41</td> <td>"</td> <td>"</td> <td>V-675</td> <td>122</td> <td>1/2</td> <td>2900</td> <td>1\"/&gt;  <tr> <td>U-42</td> <td>"</td> <td>"</td> <td>V-675</td> <td>122</td> <td>1/2</td> <td>2900</td> <td>1\"/&gt;  <tr> <td>U-43</td> <td>"</td> <td>"</td> <td>V-675</td> <td>122</td> <td>1/2</td> <td>2900</td> <td>1\"/&gt;  <tr> <td>U-44</td> <td>"</td> <td>"</td> <td>V-675</td> <td>122</td> <td>1/2</td> <td>2900</td> <td>1\"/&gt;  <tr> <td>U-45</td> <td>"</td> <td>"</td> <td>V-675</td> <td>122</td> <td>1/2</td> <td>2900</td> <td>1\"/&gt;  <tr> <td>U-46</td> <td>"</td> <td>"</td> <td>V-675</td> <td>122</td> <td>1/2</td> <td>2900</td> <td>1\"/&gt;  <tr> <td>U-47</td> <td>"</td> <td>"</td> <td>V-675</td> <td>122</td> <td>1/2</td> <td>2900</td> <td>1\"/&gt;  <tr> <td>U-48</td> <td>"</td> <td>"</td> <td>V-675</td> <td>122</td> <td>1/2</td> <td>2900</td> <td>1\"/&gt;  <tr> <td>U-49</td> <td>"</td> <td>"</td> <td>V-675</td> <td>122</td> <td>1/2</td> <td>2900</td> <td>1\"/&gt;  <tr> <td>U-50</td> <td>"</td> <td>"</td> <td>V-675</td> <td>122</td> <td>1/2</td> <td>2900</td> <td>1\"/&gt;  </td></tr></td></tr></td></tr></td></tr></td></tr></td></tr></td></tr></td></tr></td></tr></td></tr>  
  | U-41 | " | " | V-675  | 122 | 1/2 | 2900   | 1\"/> <tr> <td>U-42</td> <td>"</td> <td>"</td> <td>V-675</td> <td>122</td> <td>1/2</td> <td>2900</td> <td>1\"/&gt;  <tr> <td>U-43</td> <td>"</td> <td>"</td> <td>V-675</td> <td>122</td> <td>1/2</td> <td>2900</td> <td>1\"/&gt;  <tr> <td>U-44</td> <td>"</td> <td>"</td> <td>V-675</td> <td>122</td> <td>1/2</td> <td>2900</td> <td>1\"/&gt;  <tr> <td>U-45</td> <td>"</td> <td>"</td> <td>V-675</td> <td>122</td> <td>1/2</td> <td>2900</td> <td>1\"/&gt;  <tr> <td>U-46</td> <td>"</td> <td>"</td> <td>V-675</td> <td>122</td> <td>1/2</td> <td>2900</td> <td>1\"/&gt;  <tr> <td>U-47</td> <td>"</td> <td>"</td> <td>V-675</td> <td>122</td> <td>1/2</td> <td>2900</td> <td>1\"/&gt;  <tr> <td>U-48</td> <td>"</td> <td>"</td> <td>V-675</td> <td>122</td> <td>1/2</td> <td>2900</td> <td>1\"/&gt;  <tr> <td>U-49</td> <td>"</td> <td>"</td> <td>V-675</td> <td>122</td> <td>1/2</td> <td>2900</td> <td>1\"/&gt;  <tr> <td>U-50</td> <td>"</td> <td>"</td> <td>V-675</td> <td>122</td> <td>1/2</td> <td>2900</td> <td>1\"/&gt;  </td></tr></td></tr></td></tr></td></tr></td></tr></td></tr></td></tr></td></tr></td></tr>   | U-42 | " | " | V-675 | 122 | 1/2 | 2900    | 1\"/> <tr> <td>U-43</td> <td>"</td> <td>"</td> <td>V-675</td> <td>122</td> <td>1/2</td> <td>2900</td> <td>1\"/&gt;  <tr> <td>U-44</td> <td>"</td> <td>"</td> <td>V-675</td> <td>122</td> <td>1/2</td> <td>2900</td> <td>1\"/&gt;  <tr> <td>U-45</td> <td>"</td> <td>"</td> <td>V-675</td> <td>122</td> <td>1/2</td> <td>2900</td> <td>1\"/&gt;  <tr> <td>U-46</td> <td>"</td> <td>"</td> <td>V-675</td> <td>122</td> <td>1/2</td> <td>2900</td> <td>1\"/&gt;  <tr> <td>U-47</td> <td>"</td> <td>"</td> <td>V-675</td> <td>122</td> <td>1/2</td> <td>2900</td> <td>1\"/&gt;  <tr> <td>U-48</td> <td>"</td> <td>"</td> <td>V-675</td> <td>122</td> <td>1/2</td> <td>2900</td> <td>1\"/&gt;  <tr> <td>U-49</td> <td>"</td> <td>"</td> <td>V-675</td> <td>122</td> <td>1/2</td> <td>2900</td> <td>1\"/&gt;  <tr> <td>U-50</td> <td>"</td> <td>"</td> <td>V-675</td> <td>122</td> <td>1/2</td> <td>2900</td> <td>1\"/&gt;  </td></tr></td></tr></td></tr></td></tr></td></tr></td></tr></td></tr></td></tr>  
   | U-43 | " | " | V-675 | 122 | 1/2 | 2900   | 1\"/> <tr> <td>U-44</td> <td>"</td> <td>"</td> <td>V-675</td> <td>122</td> <td>1/2</td> <td>2900</td> <td>1\"/&gt;  <tr> <td>U-45</td> <td>"</td> <td>"</td> <td>V-675</td> <td>122</td> <td>1/2</td> <td>2900</td> <td>1\"/&gt;  <tr> <td>U-46</td> <td>"</td> <td>"</td> <td>V-675</td> <td>122</td> <td>1/2</td> <td>2900</td> <td>1\"/&gt;  <tr> <td>U-47</td> <td>"</td> <td>"</td> <td>V-675</td> <td>122</td> <td>1/2</td> <td>2900</td> <td>1\"/&gt;  <tr> <td>U-48</td> <td>"</td> <td>"</td> <td>V-675</td> <td>122</td> <td>1/2</td> <td>2900</td> <td>1\"/&gt;  <tr> <td>U-49</td> <td>"</td> <td>"</td> <td>V-675</td> <td>122</td> <td>1/2</td> <td>2900</td> <td>1\"/&gt;  <tr> <td>U-50</td> <td>"</td> <td>"</td> <td>V-675</td> <td>122</td> <td>1/2</td> <td>2900</td> <td>1\"/&gt;  </td></tr></td></tr></td></tr></td></tr></td></tr></td></tr></td></tr>   | U-44 | " | " | V-675 | 122 | 1/2 | 2900    | 1\"/> <tr> <td>U-45</td> <td>"</td> <td>"</td> <td>V-675</td> <td>122</td> <td>1/2</td> <td>2900</td> <td>1\"/&gt;  <tr> <td>U-46</td> <td>"</td> <td>"</td> <td>V-675</td> <td>122</td> <td>1/2</td> <td>2900</td> <td>1\"/&gt;  <tr> <td>U-47</td> <td>"</td> <td>"</td> <td>V-675</td> <td>122</td> <td>1/2</td> <td>2900</td> <td>1\"/&gt;  <tr> <td>U-48</td> <td>"</td> <td>"</td> <td>V-675</td> <td>122</td> <td>1/2</td> <td>2900</td> <td>1\"/&gt;  <tr> <td>U-49</td> <td>"</td> <td>"</td> <td>V-675</td> <td>122</td> <td>1/2</td> <td>2900</td> <td>1\"/&gt;  <tr> <td>U-50</td> <td>"</td> <td>"</td> <td>V-675</td> <td>122</td> <td>1/2</td> <td>2900</td> <td>1\"/&gt;  </td></tr></td></tr></td></tr></td></tr></td></tr></td></tr>  
   | U-45 | "           | "      | V-675  | 122  | 1/2 | 2900 | 1\"/> <tr> <td>U-46</td> <td>"</td> <td>"</td> <td>V-675</td> <td>122</td> <td>1/2</td> <td>2900</td> <td>1\"/&gt;  <tr> <td>U-47</td> <td>"</td> <td>"</td> <td>V-675</td> <td>122</td> <td>1/2</td> <td>2900</td> <td>1\"/&gt;  <tr> <td>U-48</td> <td>"</td> <td>"</td> <td>V-675</td> <td>122</td> <td>1/2</td> <td>2900</td> <td>1\"/&gt;  <tr> <td>U-49</td> <td>"</td> <td>"</td> <td>V-675</td> <td>122</td> <td>1/2</td> <td>2900</td> <td>1\"/&gt;  <tr> <td>U-50</td> <td>"</td> <td>"</td> <td>V-675</td> <td>122</td> <td>1/2</td> <td>2900</td> <td>1\"/&gt;  </td></tr></td></tr></td></tr></td></tr></td></tr>   
  | U-46 | " | " | V-675  | 122  | 1/2 | 2900 | 1\"/> <tr> <td>U-47</td> <td>"</td> <td>"</td> <td>V-675</td> <td>122</td> <td>1/2</td> <td>2900</td> <td>1\"/&gt;  <tr> <td>U-48</td> <td>"</td> <td>"</td> <td>V-675</td> <td>122</td> <td>1/2</td> <td>2900</td> <td>1\"/&gt;  <tr> <td>U-49</td> <td>"</td> <td>"</td> <td>V-675</td> <td>122</td> <td>1/2</td> <td>2900</td> <td>1\"/&gt;  <tr> <td>U-50</td> <td>"</td> <td>"</td> <td>V-675</td> <td>122</td> <td>1/2</td> <td>2900</td> <td>1\"/&gt;  </td></tr></td></tr></td></tr></td></tr>   | U-47 | " | " | V-675  | 122 | 1/2 | 2900 | 1\"/> <tr> <td>U-48</td> <td>"</td> <td>"</td> <td>V-675</td> <td>122</td> <td>1/2</td> <td>2900</td> <td>1\"/&gt;  <tr> <td>U-49</td> <td>"</td> <td>"</td> <td>V-675</td> <td>122</td> <td>1/2</td> <td>2900</td> <td>1\"/&gt;  <tr> <td>U-50</td> <td>"</td> <td>"</td> <td>V-675</td> <td>122</td> <td>1/2</td> <td>2900</td> <td>1\"/&gt;  </td></tr></td></tr></td></tr>   
   | U-48 | " | " | V-675 | 122 | 1/2 | 2900 | 1\"/> <tr> <td>U-49</td> <td>"</td> <td>"</td> <td>V-675</td> <td>122</td> <td>1/2</td> <td>2900</td> <td>1\"/&gt;  <tr> <td>U-50</td> <td>"</td> <td>"</td> <td>V-675</td> <td>122</td> <td>1/2</td> <td>2900</td> <td>1\"/&gt;  </td></tr></td></tr>  | U-49 | " | " | V-675 | 122 | 1/2 | 2900 | 1\"/> <tr> <td>U-50</td> <td>"</td> <td>"</td> <td>V-675</td> <td>122</td> <td>1/2</td> <td>2900</td> <td>1\"/&gt;  </td></tr>  
  | U-50 | " | " | V-675 | 122 | 1/2 | 2900 | 1\"/>   |      |   |   |       |     |     |      | | | | | | | | | | | | | | | | | | | | | | | | | | | | | | | | | | | | | | | | | | | | | | | | | |
   |      |   |   |       |     |     |      |   |      |   |   |       |     |     |      |   
  |      |   |   |       |     |     |      |  |      |   |   |       |     |     |      |   
  |      |   |   |       |     |     |      |  |      |   |   |       |     |     |      |   
  |      |   |   |       |     |     |      |  |      |   |   |       |     |     |      |   
  |      |   |   |       |     |     |      |  |      |   |   |       |     |     |      |  |      |   |   |       |     |     |      |  
   |      |   |   |       |     |     |      |  |      |   |   |       |     |     |      |  
   |      |   |   |       |     |     |      |  |      |   |   |       |     |     |      |  |      |   |   |       |     |     |      |   
  |      |   |   |       |     |     |      |  |      |   |   |       |     |     |      |  |      |   |   |       |     |     |      |  |      |   |   |       |     |     |      |   
  |      |   |   |       |     |     |      |  |      |   |   |       |     |     |      |  |      |   |   |       |     |     |      |  
   |      |   |   |       |     |     |      |  |      |   |   |       |     |     |      |  |      |   |   |       |     |     |      |  |      |   |   |       |     |     |      |  |      |   |   |       |     |     |      |   
  |      |   |   |       |     |     |      |  |      |   |   |       |     |     |      |  |      |   |   |       |     |     |      |  |      |   |   |       |     |     |      |  |      |   |   |       |     |     |      |  |      |   |   |       |     |     |      |  |      |   |   |       |     |     |      |  
   |      |   |   |       |     |     |      |  |      |   |   |       |     |     |      |  |      |   |   |       |     |     |      |  |      |   |   |       |     |     |      |  |      |   |   |       |     |     |      |  |      |   |   |       |     |     |      |  |      |   |   |       |     |     |      |  |      |   |   |       |     |     |      |       |
| U-40 | "             | "                       | V-675    | 122  | 1/2           | 2900    | 1\"/> <tr> <td>U-41</td> <td>"</td> <td>"</td> <td>V-675</td> <td>122</td> <td>1/2</td> <td>2900</td> <td>1\"/&gt;  <tr> <td>U-42</td> <td>"</td> <td>"</td> <td>V-675</td> <td>122</td> <td>1/2</td> <td>2900</td> <td>1\"/&gt;  <tr> <td>U-43</td> <td>"</td> <td>"</td> <td>V-675</td> <td>122</td> <td>1/2</td> <td>2900</td> <td>1\"/&gt;  <tr> <td>U-44</td> <td>"</td> <td>"</td> <td>V-675</td> <td>122</td> <td>1/2</td> <td>2900</td> <td>1\"/&gt;  <tr> <td>U-45</td> <td>"</td> <td>"</td> <td>V-675</td> <td>122</td> <td>1/2</td> <td>2900</td> <td>1\"/&gt;  <tr> <td>U-46</td> <td>"</td> <td>"</td> <td>V-675</td> <td>122</td> <td>1/2</td> <td>2900</td> <td>1\"/&gt;  <tr> <td>U-47</td> <td>"</td> <td>"</td> <td>V-675</td> <td>122</td> <td>1/2</td> <td>2900</td> <td>1\"/&gt;  <tr> <td>U-48</td> <td>"</td> <td>"</td> <td>V-675</td> <td>122</td> <td>1/2</td> <td>2900</td> <td>1\"/&gt;  <tr> <td>U-49</td> <td>"</td> <td>"</td> <td>V-675</td> <td>122</td> <td>1/2</td> <td>2900</td> <td>1\"/&gt;  <tr> <td>U-50</td> <td>"</td> <td>"</td> <td>V-675</td> <td>122</td> <td>1/2</td> <td>2900</td> <td>1\"/&gt;  </td></tr></td></tr></td></tr></td></tr></td></tr></td></tr></td></tr></td></tr></td></tr></td></tr>  | U-41 | " | " | V-675  | 122  | 1/2 | 2900   | 1\"/> <tr> <td>U-42</td> <td>"</td> <td>"</td> <td>V-675</td> <td>122</td> <td>1/2</td> <td>2900</td> <td>1\"/&gt;  <tr> <td>U-43</td> <td>"</td> <td>"</td> <td>V-675</td> <td>122</td> <td>1/2</td> <td>2900</td> <td>1\"/&gt;  <tr> <td>U-44</td> <td>"</td> <td>"</td> <td>V-675</td> <td>122</td> <td>1/2</td> <td>2900</td> <td>1\"/&gt;  <tr> <td>U-45</td> <td>"</td> <td>"</td> <td>V-675</td> <td>122</td> <td>1/2</td> <td>2900</td> <td>1\"/&gt;  <tr> <td>U-46</td> <td>"</td> <td>"</td> <td>V-675</td> <td>122</td> <td>1/2</td> <td>2900</td> <td>1\"/&gt;  <tr> <td>U-47</td> <td>"</td> <td>"</td> <td>V-675</td> <td>122</td> <td>1/2</td> <td>2900</td> <td>1\"/&gt;  <tr> <td>U-48</td> <td>"</td> <td>"</td> <td>V-675</td> <td>122</td> <td>1/2</td> <td>2900</td> <td>1\"/&gt;  <tr> <td>U-49</td> <td>"</td> <td>"</td> <td>V-675</td> <td>122</td> <td>1/2</td> <td>2900</td> <td>1\"/&gt;  <tr> <td>U-50</td> <td>"</td> <td>"</td> <td>V-675</td> <td>122</td> <td>1/2</td> <td>2900</td> <td>1\"/&gt;  </td></tr></td></tr></td></tr></td></tr></td></tr></td></tr></td></tr></td></tr></td></tr>  
  | U-42 | " | " | V-675  | 122 | 1/2 | 2900   | 1\"/> <tr> <td>U-43</td> <td>"</td> <td>"</td> <td>V-675</td> <td>122</td> <td>1/2</td> <td>2900</td> <td>1\"/&gt;  <tr> <td>U-44</td> <td>"</td> <td>"</td> <td>V-675</td> <td>122</td> <td>1/2</td> <td>2900</td> <td>1\"/&gt;  <tr> <td>U-45</td> <td>"</td> <td>"</td> <td>V-675</td> <td>122</td> <td>1/2</td> <td>2900</td> <td>1\"/&gt;  <tr> <td>U-46</td> <td>"</td> <td>"</td> <td>V-675</td> <td>122</td> <td>1/2</td> <td>2900</td> <td>1\"/&gt;  <tr> <td>U-47</td> <td>"</td> <td>"</td> <td>V-675</td> <td>122</td> <td>1/2</td> <td>2900</td> <td>1\"/&gt;  <tr> <td>U-48</td> <td>"</td> <td>"</td> <td>V-675</td> <td>122</td> <td>1/2</td> <td>2900</td> <td>1\"/&gt;  <tr> <td>U-49</td> <td>"</td> <td>"</td> <td>V-675</td> <td>122</td> <td>1/2</td> <td>2900</td> <td>1\"/&gt;  <tr> <td>U-50</td> <td>"</td> <td>"</td> <td>V-675</td> <td>122</td> <td>1/2</td> <td>2900</td> <td>1\"/&gt;  </td></tr></td></tr></td></tr></td></tr></td></tr></td></tr></td></tr></td></tr>   | U-43 | " | " | V-675 | 122 | 1/2 | 2900    | 1\"/> <tr> <td>U-44</td> <td>"</td> <td>"</td> <td>V-675</td> <td>122</td> <td>1/2</td> <td>2900</td> <td>1\"/&gt;  <tr> <td>U-45</td> <td>"</td> <td>"</td> <td>V-675</td> <td>122</td> <td>1/2</td> <td>2900</td> <td>1\"/&gt;  <tr> <td>U-46</td> <td>"</td> <td>"</td> <td>V-675</td> <td>122</td> <td>1/2</td> <td>2900</td> <td>1\"/&gt;  <tr> <td>U-47</td> <td>"</td> <td>"</td> <td>V-675</td> <td>122</td> <td>1/2</td> <td>2900</td> <td>1\"/&gt;  <tr> <td>U-48</td> <td>"</td> <td>"</td> <td>V-675</td> <td>122</td> <td>1/2</td> <td>2900</td> <td>1\"/&gt;  <tr> <td>U-49</td> <td>"</td> <td>"</td> <td>V-675</td> <td>122</td> <td>1/2</td> <td>2900</td> <td>1\"/&gt;  <tr> <td>U-50</td> <td>"</td> <td>"</td> <td>V-675</td> <td>122</td> <td>1/2</td> <td>2900</td> <td>1\"/&gt;  </td></tr></td></tr></td></tr></td></tr></td></tr></td></tr></td></tr>  
   | U-44 | " | " | V-675 | 122 | 1/2 | 2900   | 1\"/> <tr> <td>U-45</td> <td>"</td> <td>"</td> <td>V-675</td> <td>122</td> <td>1/2</td> <td>2900</td> <td>1\"/&gt;  <tr> <td>U-46</td> <td>"</td> <td>"</td> <td>V-675</td> <td>122</td> <td>1/2</td> <td>2900</td> <td>1\"/&gt;  <tr> <td>U-47</td> <td>"</td> <td>"</td> <td>V-675</td> <td>122</td> <td>1/2</td> <td>2900</td> <td>1\"/&gt;  <tr> <td>U-48</td> <td>"</td> <td>"</td> <td>V-675</td> <td>122</td> <td>1/2</td> <td>2900</td> <td>1\"/&gt;  <tr> <td>U-49</td> <td>"</td> <td>"</td> <td>V-675</td> <td>122</td> <td>1/2</td> <td>2900</td> <td>1\"/&gt;  <tr> <td>U-50</td> <td>"</td> <td>"</td> <td>V-675</td> <td>122</td> <td>1/2</td> <td>2900</td> <td>1\"/&gt;  </td></tr></td></tr></td></tr></td></tr></td></tr></td></tr>   | U-45 | " | " | V-675 | 122 | 1/2 | 2900    | 1\"/> <tr> <td>U-46</td> <td>"</td> <td>"</td> <td>V-675</td> <td>122</td> <td>1/2</td> <td>2900</td> <td>1\"/&gt;  <tr> <td>U-47</td> <td>"</td> <td>"</td> <td>V-675</td> <td>122</td> <td>1/2</td> <td>2900</td> <td>1\"/&gt;  <tr> <td>U-48</td> <td>"</td> <td>"</td> <td>V-675</td> <td>122</td> <td>1/2</td> <td>2900</td> <td>1\"/&gt;  <tr> <td>U-49</td> <td>"</td> <td>"</td> <td>V-675</td> <td>122</td> <td>1/2</td> <td>2900</td> <td>1\"/&gt;  <tr> <td>U-50</td> <td>"</td> <td>"</td> <td>V-675</td> <td>122</td> <td>1/2</td> <td>2900</td> <td>1\"/&gt;  </td></tr></td></tr></td></tr></td></tr></td></tr>  
   | U-46 | "           | "      | V-675  | 122  | 1/2 | 2900 | 1\"/> <tr> <td>U-47</td> <td>"</td> <td>"</td> <td>V-675</td> <td>122</td> <td>1/2</td> <td>2900</td> <td>1\"/&gt;  <tr> <td>U-48</td> <td>"</td> <td>"</td> <td>V-675</td> <td>122</td> <td>1/2</td> <td>2900</td> <td>1\"/&gt;  <tr> <td>U-49</td> <td>"</td> <td>"</td> <td>V-675</td> <td>122</td> <td>1/2</td> <td>2900</td> <td>1\"/&gt;  <tr> <td>U-50</td> <td>"</td> <td>"</td> <td>V-675</td> <td>122</td> <td>1/2</td> <td>2900</td> <td>1\"/&gt;  </td></tr></td></tr></td></tr></td></tr>   
  | U-47 | " | " | V-675  | 122  | 1/2 | 2900 | 1\"/> <tr> <td>U-48</td> <td>"</td> <td>"</td> <td>V-675</td> <td>122</td> <td>1/2</td> <td>2900</td> <td>1\"/&gt;  <tr> <td>U-49</td> <td>"</td> <td>"</td> <td>V-675</td> <td>122</td> <td>1/2</td> <td>2900</td> <td>1\"/&gt;  <tr> <td>U-50</td> <td>"</td> <td>"</td> <td>V-675</td> <td>122</td> <td>1/2</td> <td>2900</td> <td>1\"/&gt;  </td></tr></td></tr></td></tr>   | U-48 | " | " | V-675  | 122 | 1/2 | 2900 | 1\"/> <tr> <td>U-49</td> <td>"</td> <td>"</td> <td>V-675</td> <td>122</td> <td>1/2</td> <td>2900</td> <td>1\"/&gt;  <tr> <td>U-50</td> <td>"</td> <td>"</td> <td>V-675</td> <td>122</td> <td>1/2</td> <td>2900</td> <td>1\"/&gt;  </td></tr></td></tr>   
   | U-49 | " | " | V-675 | 122 | 1/2 | 2900 | 1\"/> <tr> <td>U-50</td> <td>"</td> <td>"</td> <td>V-675</td> <td>122</td> <td>1/2</td> <td>2900</td> <td>1\"/&gt;  </td></tr>  | U-50 | " | " | V-675 | 122 | 1/2 | 2900 | 1\"/>   
  |      |   |   |       |     |     |      |   |      |   |   |       |     |     |      | | | | | | | | | | | | | | | | | | | | | | | | | | | | | | | | | | | | | | | | | | | | | | | | | |
   |      |   |   |       |     |     |      |   |      |   |   |       |     |     |      |   
  |      |   |   |       |     |     |      |  |      |   |   |       |     |     |      |   
  |      |   |   |       |     |     |      |  |      |   |   |       |     |     |      |   
  |      |   |   |       |     |     |      |  |      |   |   |       |     |     |      |   
  |      |   |   |       |     |     |      |  |      |   |   |       |     |     |      |  |      |   |   |       |     |     |      |  
   |      |   |   |       |     |     |      |  |      |   |   |       |     |     |      |  
   |      |   |   |       |     |     |      |  |      |   |   |       |     |     |      |  |      |   |   |       |     |     |      |   
  |      |   |   |       |     |     |      |  |      |   |   |       |     |     |      |  |      |   |   |       |     |     |      |  |      |   |   |       |     |     |      |   
  |      |   |   |       |     |     |      |  |      |   |   |       |     |     |      |  |      |   |   |       |     |     |      |  
   |      |   |   |       |     |     |      |  |      |   |   |       |     |     |      |  |      |   |   |       |     |     |      |  |      |   |   |       |     |     |      |  |      |   |   |       |     |     |      |   
  |      |   |   |       |     |     |      |  |      |   |   |       |     |     |      |  |      |   |   |       |     |     |      |  |      |   |   |       |     |     |      |  |      |   |   |       |     |     |      |  |      |   |   |       |     |     |      |  |      |   |   |       |     |     |      |  
   |      |   |   |       |     |     |      |  |      |   |   |       |     |     |      |  |      |   |   |       |     |     |      |  |      |   |   |       |     |     |      |  |      |   |   |       |     |     |      |  |      |   |   |       |     |     |      |  |      |   |   |       |     |     |      |  |      |   |   |       |     |     |      |       |
| U-41 | "             | "                       | V-675    | 122  | 1/2           | 2900    | 1\"/> <tr> <td>U-42</td> <td>"</td> <td>"</td> <td>V-675</td> <td>122</td> <td>1/2</td> <td>2900</td> <td>1\"/&gt;  <tr> <td>U-43</td> <td>"</td> <td>"</td> <td>V-675</td> <td>122</td> <td>1/2</td> <td>2900</td> <td>1\"/&gt;  <tr> <td>U-44</td> <td>"</td> <td>"</td> <td>V-675</td> <td>122</td> <td>1/2</td> <td>2900</td> <td>1\"/&gt;  <tr> <td>U-45</td> <td>"</td> <td>"</td> <td>V-675</td> <td>122</td> <td>1/2</td> <td>2900</td> <td>1\"/&gt;  <tr> <td>U-46</td> <td>"</td> <td>"</td> <td>V-675</td> <td>122</td> <td>1/2</td> <td>2900</td> <td>1\"/&gt;  <tr> <td>U-47</td> <td>"</td> <td>"</td> <td>V-675</td> <td>122</td> <td>1/2</td> <td>2900</td> <td>1\"/&gt;  <tr> <td>U-48</td> <td>"</td> <td>"</td> <td>V-675</td> <td>122</td> <td>1/2</td> <td>2900</td> <td>1\"/&gt;  <tr> <td>U-49</td> <td>"</td> <td>"</td> <td>V-675</td> <td>122</td> <td>1/2</td> <td>2900</td> <td>1\"/&gt;  <tr> <td>U-50</td> <td>"</td> <td>"</td> <td>V-675</td> <td>122</td> <td>1/2</td> <td>2900</td> <td>1\"/&gt;  </td></tr></td></tr></td></tr></td></tr></td></tr></td></tr></td></tr></td></tr></td></tr>  | U-42 | " | " | V-675  | 122  | 1/2 | 2900   | 1\"/> <tr> <td>U-43</td> <td>"</td> <td>"</td> <td>V-675</td> <td>122</td> <td>1/2</td> <td>2900</td> <td>1\"/&gt;  <tr> <td>U-44</td> <td>"</td> <td>"</td> <td>V-675</td> <td>122</td> <td>1/2</td> <td>2900</td> <td>1\"/&gt;  <tr> <td>U-45</td> <td>"</td> <td>"</td> <td>V-675</td> <td>122</td> <td>1/2</td> <td>2900</td> <td>1\"/&gt;  <tr> <td>U-46</td> <td>"</td> <td>"</td> <td>V-675</td> <td>122</td> <td>1/2</td> <td>2900</td> <td>1\"/&gt;  <tr> <td>U-47</td> <td>"</td> <td>"</td> <td>V-675</td> <td>122</td> <td>1/2</td> <td>2900</td> <td>1\"/&gt;  <tr> <td>U-48</td> <td>"</td> <td>"</td> <td>V-675</td> <td>122</td> <td>1/2</td> <td>2900</td> <td>1\"/&gt;  <tr> <td>U-49</td> <td>"</td> <td>"</td> <td>V-675</td> <td>122</td> <td>1/2</td> <td>2900</td> <td>1\"/&gt;  <tr> <td>U-50</td> <td>"</td> <td>"</td> <td>V-675</td> <td>122</td> <td>1/2</td> <td>2900</td> <td>1\"/&gt;  </td></tr></td></tr></td></tr></td></tr></td></tr></td></tr></td></tr></td></tr>  
  | U-43 | " | " | V-675  | 122 | 1/2 | 2900   | 1\"/> <tr> <td>U-44</td> <td>"</td> <td>"</td> <td>V-675</td> <td>122</td> <td>1/2</td> <td>2900</td> <td>1\"/&gt;  <tr> <td>U-45</td> <td>"</td> <td>"</td> <td>V-675</td> <td>122</td> <td>1/2</td> <td>2900</td> <td>1\"/&gt;  <tr> <td>U-46</td> <td>"</td> <td>"</td> <td>V-675</td> <td>122</td> <td>1/2</td> <td>2900</td> <td>1\"/&gt;  <tr> <td>U-47</td> <td>"</td> <td>"</td> <td>V-675</td> <td>122</td> <td>1/2</td> <td>2900</td> <td>1\"/&gt;  <tr> <td>U-48</td> <td>"</td> <td>"</td> <td>V-675</td> <td>122</td> <td>1/2</td> <td>2900</td> <td>1\"/&gt;  <tr> <td>U-49</td> <td>"</td> <td>"</td> <td>V-675</td> <td>122</td> <td>1/2</td> <td>2900</td> <td>1\"/&gt;  <tr> <td>U-50</td> <td>"</td> <td>"</td> <td>V-675</td> <td>122</td> <td>1/2</td> <td>2900</td> <td>1\"/&gt;  </td></tr></td></tr></td></tr></td></tr></td></tr></td></tr></td></tr>   | U-44 | " | " | V-675 | 122 | 1/2 | 2900    | 1\"/> <tr> <td>U-45</td> <td>"</td> <td>"</td> <td>V-675</td> <td>122</td> <td>1/2</td> <td>2900</td> <td>1\"/&gt;  <tr> <td>U-46</td> <td>"</td> <td>"</td> <td>V-675</td> <td>122</td> <td>1/2</td> <td>2900</td> <td>1\"/&gt;  <tr> <td>U-47</td> <td>"</td> <td>"</td> <td>V-675</td> <td>122</td> <td>1/2</td> <td>2900</td> <td>1\"/&gt;  <tr> <td>U-48</td> <td>"</td> <td>"</td> <td>V-675</td> <td>122</td> <td>1/2</td> <td>2900</td> <td>1\"/&gt;  <tr> <td>U-49</td> <td>"</td> <td>"</td> <td>V-675</td> <td>122</td> <td>1/2</td> <td>2900</td> <td>1\"/&gt;  <tr> <td>U-50</td> <td>"</td> <td>"</td> <td>V-675</td> <td>122</td> <td>1/2</td> <td>2900</td> <td>1\"/&gt;  </td></tr></td></tr></td></tr></td></tr></td></tr></td></tr>  
   | U-45 | " | " | V-675 | 122 | 1/2 | 2900   | 1\"/> <tr> <td>U-46</td> <td>"</td> <td>"</td> <td>V-675</td> <td>122</td> <td>1/2</td> <td>2900</td> <td>1\"/&gt;  <tr> <td>U-47</td> <td>"</td> <td>"</td> <td>V-675</td> <td>122</td> <td>1/2</td> <td>2900</td> <td>1\"/&gt;  <tr> <td>U-48</td> <td>"</td> <td>"</td> <td>V-675</td> <td>122</td> <td>1/2</td> <td>2900</td> <td>1\"/&gt;  <tr> <td>U-49</td> <td>"</td> <td>"</td> <td>V-675</td> <td>122</td> <td>1/2</td> <td>2900</td> <td>1\"/&gt;  <tr> <td>U-50</td> <td>"</td> <td>"</td> <td>V-675</td> <td>122</td> <td>1/2</td> <td>2900</td> <td>1\"/&gt;  </td></tr></td></tr></td></tr></td></tr></td></tr>   | U-46 | " | " | V-675 | 122 | 1/2 | 2900    | 1\"/> <tr> <td>U-47</td> <td>"</td> <td>"</td> <td>V-675</td> <td>122</td> <td>1/2</td> <td>2900</td> <td>1\"/&gt;  <tr> <td>U-48</td> <td>"</td> <td>"</td> <td>V-675</td> <td>122</td> <td>1/2</td> <td>2900</td> <td>1\"/&gt;  <tr> <td>U-49</td> <td>"</td> <td>"</td> <td>V-675</td> <td>122</td> <td>1/2</td> <td>2900</td> <td>1\"/&gt;  <tr> <td>U-50</td> <td>"</td> <td>"</td> <td>V-675</td> <td>122</td> <td>1/2</td> <td>2900</td> <td>1\"/&gt;  </td></tr></td></tr></td></tr></td></tr>  
   | U-47 | "           | "      | V-675  | 122  | 1/2 | 2900 | 1\"/> <tr> <td>U-48</td> <td>"</td> <td>"</td> <td>V-675</td> <td>122</td> <td>1/2</td> <td>2900</td> <td>1\"/&gt;  <tr> <td>U-49</td> <td>"</td> <td>"</td> <td>V-675</td> <td>122</td> <td>1/2</td> <td>2900</td> <td>1\"/&gt;  <tr> <td>U-50</td> <td>"</td> <td>"</td> <td>V-675</td> <td>122</td> <td>1/2</td> <td>2900</td> <td>1\"/&gt;  </td></tr></td></tr></td></tr>   
  | U-48 | " | " | V-675  | 122  | 1/2 | 2900 | 1\"/> <tr> <td>U-49</td> <td>"</td> <td>"</td> <td>V-675</td> <td>122</td> <td>1/2</td> <td>2900</td> <td>1\"/&gt;  <tr> <td>U-50</td> <td>"</td> <td>"</td> <td>V-675</td> <td>122</td> <td>1/2</td> <td>2900</td> <td>1\"/&gt;  </td></tr></td></tr>   | U-49 | " | " | V-675  | 122 | 1/2 | 2900 | 1\"/> <tr> <td>U-50</td> <td>"</td> <td>"</td> <td>V-675</td> <td>122</td> <td>1/2</td> <td>2900</td> <td>1\"/&gt;  </td></tr>   
   | U-50 | " | " | V-675 | 122 | 1/2 | 2900 | 1\"/>   |      |   |   |       |     |     |      | | | | | | | | | | | | | | | | | | | | | | | | | | | | | | | | | | | | | | | | | | | | | | | | | |
  |      |   |   |       |     |     |      |   |      |   |   |       |     |     |      |  
   |      |   |   |       |     |     |      |   |      |   |   |       |     |     |      |   
  |      |   |   |       |     |     |      |  |      |   |   |       |     |     |      |   
  |      |   |   |       |     |     |      |  |      |   |   |       |     |     |      |   
  |      |   |   |       |     |     |      |  |      |   |   |       |     |     |      |   
  |      |   |   |       |     |     |      |  |      |   |   |       |     |     |      |  |      |   |   |       |     |     |      |  
   |      |   |   |       |     |     |      |  |      |   |   |       |     |     |      |  
   |      |   |   |       |     |     |      |  |      |   |   |       |     |     |      |  |      |   |   |       |     |     |      |   
  |      |   |   |       |     |     |      |  |      |   |   |       |     |     |      |  |      |   |   |       |     |     |      |  |      |   |   |       |     |     |      |   
  |      |   |   |       |     |     |      |  |      |   |   |       |     |     |      |  |      |   |   |       |     |     |      |  
   |      |   |   |       |     |     |      |  |      |   |   |       |     |     |      |  |      |   |   |       |     |     |      |  |      |   |   |       |     |     |      |  |      |   |   |       |     |     |      |   
  |      |   |   |       |     |     |      |  |      |   |   |       |     |     |      |  |      |   |   |       |     |     |      |  |      |   |   |       |     |     |      |  |      |   |   |       |     |     |      |  |      |   |   |       |     |     |      |  |      |   |   |       |     |     |      |  
   |      |   |   |       |     |     |      |  |      |   |   |       |     |     |      |  |      |   |   |       |     |     |      |  |      |   |   |       |     |     |      |  |      |   |   |       |     |     |      |  |      |   |   |       |     |     |      |  |      |   |   |       |     |     |      |  |      |   |   |       |     |     |      |       |
| U-42 | "             | "                       | V-675    | 122  | 1/2           | 2900    | 1\"/> <tr> <td>U-43</td> <td>"</td> <td>"</td> <td>V-675</td> <td>122</td> <td>1/2</td> <td>2900</td> <td>1\"/&gt;  <tr> <td>U-44</td> <td>"</td> <td>"</td> <td>V-675</td> <td>122</td> <td>1/2</td> <td>2900</td> <td>1\"/&gt;  <tr> <td>U-45</td> <td>"</td> <td>"</td> <td>V-675</td> <td>122</td> <td>1/2</td> <td>2900</td> <td>1\"/&gt;  <tr> <td>U-46</td> <td>"</td> <td>"</td> <td>V-675</td> <td>122</td> <td>1/2</td> <td>2900</td> <td>1\"/&gt;  <tr> <td>U-47</td> <td>"</td> <td>"</td> <td>V-675</td> <td>122</td> <td>1/2</td> <td>2900</td> <td>1\"/&gt;  <tr> <td>U-48</td> <td>"</td> <td>"</td> <td>V-675</td> <td>122</td> <td>1/2</td> <td>2900</td> <td>1\"/&gt;  <tr> <td>U-49</td> <td>"</td> <td>"</td> <td>V-675</td> <td>122</td> <td>1/2</td> <td>2900</td> <td>1\"/&gt;  <tr> <td>U-50</td> <td>"</td> <td>"</td> <td>V-675</td> <td>122</td> <td>1/2</td> <td>2900</td> <td>1\"/&gt;  </td></tr></td></tr></td></tr></td></tr></td></tr></td></tr></td></tr></td></tr>  | U-43 | " | " | V-675  | 122  | 1/2 | 2900   | 1\"/> <tr> <td>U-44</td> <td>"</td> <td>"</td> <td>V-675</td> <td>122</td> <td>1/2</td> <td>2900</td> <td>1\"/&gt;  <tr> <td>U-45</td> <td>"</td> <td>"</td> <td>V-675</td> <td>122</td> <td>1/2</td> <td>2900</td> <td>1\"/&gt;  <tr> <td>U-46</td> <td>"</td> <td>"</td> <td>V-675</td> <td>122</td> <td>1/2</td> <td>2900</td> <td>1\"/&gt;  <tr> <td>U-47</td> <td>"</td> <td>"</td> <td>V-675</td> <td>122</td> <td>1/2</td> <td>2900</td> <td>1\"/&gt;  <tr> <td>U-48</td> <td>"</td> <td>"</td> <td>V-675</td> <td>122</td> <td>1/2</td> <td>2900</td> <td>1\"/&gt;  <tr> <td>U-49</td> <td>"</td> <td>"</td> <td>V-675</td> <td>122</td> <td>1/2</td> <td>2900</td> <td>1\"/&gt;  <tr> <td>U-50</td> <td>"</td> <td>"</td> <td>V-675</td> <td>122</td> <td>1/2</td> <td>2900</td> <td>1\"/&gt;  </td></tr></td></tr></td></tr></td></tr></td></tr></td></tr></td></tr>  
  | U-44 | " | " | V-675  | 122 | 1/2 | 2900   | 1\"/> <tr> <td>U-45</td> <td>"</td> <td>"</td> <td>V-675</td> <td>122</td> <td>1/2</td> <td>2900</td> <td>1\"/&gt;  <tr> <td>U-46</td> <td>"</td> <td>"</td> <td>V-675</td> <td>122</td> <td>1/2</td> <td>2900</td> <td>1\"/&gt;  <tr> <td>U-47</td> <td>"</td> <td>"</td> <td>V-675</td> <td>122</td> <td>1/2</td> <td>2900</td> <td>1\"/&gt;  <tr> <td>U-48</td> <td>"</td> <td>"</td> <td>V-675</td> <td>122</td> <td>1/2</td> <td>2900</td> <td>1\"/&gt;  <tr> <td>U-49</td> <td>"</td> <td>"</td> <td>V-675</td> <td>122</td> <td>1/2</td> <td>2900</td> <td>1\"/&gt;  <tr> <td>U-50</td> <td>"</td> <td>"</td> <td>V-675</td> <td>122</td> <td>1/2</td> <td>2900</td> <td>1\"/&gt;  </td></tr></td></tr></td></tr></td></tr></td></tr></td></tr>   | U-45 | " | " | V-675 | 122 | 1/2 | 2900    | 1\"/> <tr> <td>U-46</td> <td>"</td> <td>"</td> <td>V-675</td> <td>122</td> <td>1/2</td> <td>2900</td> <td>1\"/&gt;  <tr> <td>U-47</td> <td>"</td> <td>"</td> <td>V-675</td> <td>122</td> <td>1/2</td> <td>2900</td> <td>1\"/&gt;  <tr> <td>U-48</td> <td>"</td> <td>"</td> <td>V-675</td> <td>122</td> <td>1/2</td> <td>2900</td> <td>1\"/&gt;  <tr> <td>U-49</td> <td>"</td> <td>"</td> <td>V-675</td> <td>122</td> <td>1/2</td> <td>2900</td> <td>1\"/&gt;  <tr> <td>U-50</td> <td>"</td> <td>"</td> <td>V-675</td> <td>122</td> <td>1/2</td> <td>2900</td> <td>1\"/&gt;  </td></tr></td></tr></td></tr></td></tr></td></tr>  
   | U-46 | " | " | V-675 | 122 | 1/2 | 2900   | 1\"/> <tr> <td>U-47</td> <td>"</td> <td>"</td> <td>V-675</td> <td>122</td> <td>1/2</td> <td>2900</td> <td>1\"/&gt;  <tr> <td>U-48</td> <td>"</td> <td>"</td> <td>V-675</td> <td>122</td> <td>1/2</td> <td>2900</td> <td>1\"/&gt;  <tr> <td>U-49</td> <td>"</td> <td>"</td> <td>V-675</td> <td>122</td> <td>1/2</td> <td>2900</td> <td>1\"/&gt;  <tr> <td>U-50</td> <td>"</td> <td>"</td> <td>V-675</td> <td>122</td> <td>1/2</td> <td>2900</td> <td>1\"/&gt;  </td></tr></td></tr></td></tr></td></tr>   | U-47 | " | " | V-675 | 122 | 1/2 | 2900    | 1\"/> <tr> <td>U-48</td> <td>"</td> <td>"</td> <td>V-675</td> <td>122</td> <td>1/2</td> <td>2900</td> <td>1\"/&gt;  <tr> <td>U-49</td> <td>"</td> <td>"</td> <td>V-675</td> <td>122</td> <td>1/2</td> <td>2900</td> <td>1\"/&gt;  <tr> <td>U-50</td> <td>"</td> <td>"</td> <td>V-675</td> <td>122</td> <td>1/2</td> <td>2900</td> <td>1\"/&gt;  </td></tr></td></tr></td></tr>  
   | U-48 | "           | "      | V-675  | 122  | 1/2 | 2900 | 1\"/> <tr> <td>U-49</td> <td>"</td> <td>"</td> <td>V-675</td> <td>122</td> <td>1/2</td> <td>2900</td> <td>1\"/&gt;  <tr> <td>U-50</td> <td>"</td> <td>"</td> <td>V-675</td> <td>122</td> <td>1/2</td> <td>2900</td> <td>1\"/&gt;  </td></tr></td></tr>   
  | U-49 | " | " | V-675  | 122  | 1/2 | 2900 | 1\"/> <tr> <td>U-50</td> <td>"</td> <td>"</td> <td>V-675</td> <td>122</td> <td>1/2</td> <td>2900</td> <td>1\"/&gt;  </td></tr>   | U-50 | " | " | V-675  | 122 | 1/2 | 2900 | 1\"/>  
   |      |   |   |       |     |     |      |   |      |   |   |       |     |     |      | | | | | | | | | | | | | | | | | | | | | | | | | | | | | | | | | | | | | | | | | | | | | | | | | |
  |      |   |   |       |     |     |      |   |      |   |   |       |     |     |      |  
   |      |   |   |       |     |     |      |   |      |   |   |       |     |     |      |   
  |      |   |   |       |     |     |      |  |      |   |   |       |     |     |      |   
  |      |   |   |       |     |     |      |  |      |   |   |       |     |     |      |   
  |      |   |   |       |     |     |      |  |      |   |   |       |     |     |      |   
  |      |   |   |       |     |     |      |  |      |   |   |       |     |     |      |  |      |   |   |       |     |     |      |  
   |      |   |   |       |     |     |      |  |      |   |   |       |     |     |      |  
   |      |   |   |       |     |     |      |  |      |   |   |       |     |     |      |  |      |   |   |       |     |     |      |   
  |      |   |   |       |     |     |      |  |      |   |   |       |     |     |      |  |      |   |   |       |     |     |      |  |      |   |   |       |     |     |      |   
  |      |   |   |       |     |     |      |  |      |   |   |       |     |     |      |  |      |   |   |       |     |     |      |  
   |      |   |   |       |     |     |      |  |      |   |   |       |     |     |      |  |      |   |   |       |     |     |      |  |      |   |   |       |     |     |      |  |      |   |   |       |     |     |      |   
  |      |   |   |       |     |     |      |  |      |   |   |       |     |     |      |  |      |   |   |       |     |     |      |  |      |   |   |       |     |     |      |  |      |   |   |       |     |     |      |  |      |   |   |       |     |     |      |  |      |   |   |       |     |     |      |  
   |      |   |   |       |     |     |      |  |      |   |   |       |     |     |      |  |      |   |   |       |     |     |      |  |      |   |   |       |     |     |      |  |      |   |   |       |     |     |      |  |      |   |   |       |     |     |      |  |      |   |   |       |     |     |      |  |      |   |   |       |     |     |      |       |
| U-43 | "             | "                       | V-675    | 122  | 1/2           | 2900    | 1\"/> <tr> <td>U-44</td> <td>"</td> <td>"</td> <td>V-675</td> <td>122</td> <td>1/2</td> <td>2900</td> <td>1\"/&gt;  <tr> <td>U-45</td> <td>"</td> <td>"</td> <td>V-675</td> <td>122</td> <td>1/2</td> <td>2900</td> <td>1\"/&gt;  <tr> <td>U-46</td> <td>"</td> <td>"</td> <td>V-675</td> <td>122</td> <td>1/2</td> <td>2900</td> <td>1\"/&gt;  <tr> <td>U-47</td> <td>"</td> <td>"</td> <td>V-675</td> <td>122</td> <td>1/2</td> <td>2900</td> <td>1\"/&gt;  <tr> <td>U-48</td> <td>"</td> <td>"</td> <td>V-675</td> <td>122</td> <td>1/2</td> <td>2900</td> <td>1\"/&gt;  <tr> <td>U-49</td> <td>"</td> <td>"</td> <td>V-675</td> <td>122</td> <td>1/2</td> <td>2900</td> <td>1\"/&gt;  <tr> <td>U-50</td> <td>"</td> <td>"</td> <td>V-675</td> <td>122</td> <td>1/2</td> <td>2900</td> <td>1\"/&gt;  </td></tr></td></tr></td></tr></td></tr></td></tr></td></tr></td></tr>  | U-44 | " | " | V-675  | 122  | 1/2 | 2900   | 1\"/> <tr> <td>U-45</td> <td>"</td> <td>"</td> <td>V-675</td> <td>122</td> <td>1/2</td> <td>2900</td> <td>1\"/&gt;  <tr> <td>U-46</td> <td>"</td> <td>"</td> <td>V-675</td> <td>122</td> <td>1/2</td> <td>2900</td> <td>1\"/&gt;  <tr> <td>U-47</td> <td>"</td> <td>"</td> <td>V-675</td> <td>122</td> <td>1/2</td> <td>2900</td> <td>1\"/&gt;  <tr> <td>U-48</td> <td>"</td> <td>"</td> <td>V-675</td> <td>122</td> <td>1/2</td> <td>2900</td> <td>1\"/&gt;  <tr> <td>U-49</td> <td>"</td> <td>"</td> <td>V-675</td> <td>122</td> <td>1/2</td> <td>2900</td> <td>1\"/&gt;  <tr> <td>U-50</td> <td>"</td> <td>"</td> <td>V-675</td> <td>122</td> <td>1/2</td> <td>2900</td> <td>1\"/&gt;  </td></tr></td></tr></td></tr></td></tr></td></tr></td></tr>  
  | U-45 | " | " | V-675  | 122 | 1/2 | 2900   | 1\"/> <tr> <td>U-46</td> <td>"</td> <td>"</td> <td>V-675</td> <td>122</td> <td>1/2</td> <td>2900</td> <td>1\"/&gt;  <tr> <td>U-47</td> <td>"</td> <td>"</td> <td>V-675</td> <td>122</td> <td>1/2</td> <td>2900</td> <td>1\"/&gt;  <tr> <td>U-48</td> <td>"</td> <td>"</td> <td>V-675</td> <td>122</td> <td>1/2</td> <td>2900</td> <td>1\"/&gt;  <tr> <td>U-49</td> <td>"</td> <td>"</td> <td>V-675</td> <td>122</td> <td>1/2</td> <td>2900</td> <td>1\"/&gt;  <tr> <td>U-50</td> <td>"</td> <td>"</td> <td>V-675</td> <td>122</td> <td>1/2</td> <td>2900</td> <td>1\"/&gt;  </td></tr></td></tr></td></tr></td></tr></td></tr>   | U-46 | " | " | V-675 | 122 | 1/2 | 2900    | 1\"/> <tr> <td>U-47</td> <td>"</td> <td>"</td> <td>V-675</td> <td>122</td> <td>1/2</td> <td>2900</td> <td>1\"/&gt;  <tr> <td>U-48</td> <td>"</td> <td>"</td> <td>V-675</td> <td>122</td> <td>1/2</td> <td>2900</td> <td>1\"/&gt;  <tr> <td>U-49</td> <td>"</td> <td>"</td> <td>V-675</td> <td>122</td> <td>1/2</td> <td>2900</td> <td>1\"/&gt;  <tr> <td>U-50</td> <td>"</td> <td>"</td> <td>V-675</td> <td>122</td> <td>1/2</td> <td>2900</td> <td>1\"/&gt;  </td></tr></td></tr></td></tr></td></tr>  
   | U-47 | " | " | V-675 | 122 | 1/2 | 2900   | 1\"/> <tr> <td>U-48</td> <td>"</td> <td>"</td> <td>V-675</td> <td>122</td> <td>1/2</td> <td>2900</td> <td>1\"/&gt;  <tr> <td>U-49</td> <td>"</td> <td>"</td> <td>V-675</td> <td>122</td> <td>1/2</td> <td>2900</td> <td>1\"/&gt;  <tr> <td>U-50</td> <td>"</td> <td>"</td> <td>V-675</td> <td>122</td> <td>1/2</td> <td>2900</td> <td>1\"/&gt;  </td></tr></td></tr></td></tr>   | U-48 | " | " | V-675 | 122 | 1/2 | 2900    | 1\"/> <tr> <td>U-49</td> <td>"</td> <td>"</td> <td>V-675</td> <td>122</td> <td>1/2</td> <td>2900</td> <td>1\"/&gt;  <tr> <td>U-50</td> <td>"</td> <td>"</td> <td>V-675</td> <td>122</td> <td>1/2</td> <td>2900</td> <td>1\"/&gt;  </td></tr></td></tr>  
   | U-49 | "           | "      | V-675  | 122  | 1/2 | 2900 | 1\"/> <tr> <td>U-50</td> <td>"</td> <td>"</td> <td>V-675</td> <td>122</td> <td>1/2</td> <td>2900</td> <td>1\"/&gt;  </td></tr>   
  | U-50 | " | " | V-675  | 122  | 1/2 | 2900 | 1\"/>  |      |   |   |        |     |     |      | | | | | | | | | | | | | | | | | | | | | | | | | | | | | | | | | | | | | | | | | | | | | | | | | |
   |      |   |   |       |     |     |      |   |      |   |   |       |     |     |      |   
  |      |   |   |       |     |     |      |   |      |   |   |       |     |     |      |  
   |      |   |   |       |     |     |      |   |      |   |   |       |     |     |      |   
  |      |   |   |       |     |     |      |  |      |   |   |       |     |     |      |   
  |      |   |   |       |     |     |      |  |      |   |   |       |     |     |      |   
  |      |   |   |       |     |     |      |  |      |   |   |       |     |     |      |   
  |      |   |   |       |     |     |      |  |      |   |   |       |     |     |      |  |      |   |   |       |     |     |      |  
   |      |   |   |       |     |     |      |  |      |   |   |       |     |     |      |  
   |      |   |   |       |     |     |      |  |      |   |   |       |     |     |      |  |      |   |   |       |     |     |      |   
  |      |   |   |       |     |     |      |  |      |   |   |       |     |     |      |  |      |   |   |       |     |     |      |  |      |   |   |       |     |     |      |   
  |      |   |   |       |     |     |      |  |      |   |   |       |     |     |      |  |      |   |   |       |     |     |      |  
   |      |   |   |       |     |     |      |  |      |   |   |       |     |     |      |  |      |   |   |       |     |     |      |  |      |   |   |       |     |     |      |  |      |   |   |       |     |     |      |   
  |      |   |   |       |     |     |      |  |      |   |   |       |     |     |      |  |      |   |   |       |     |     |      |  |      |   |   |       |     |     |      |  |      |   |   |       |     |     |      |  |      |   |   |       |     |     |      |  |      |   |   |       |     |     |      |  
   |      |   |   |       |     |     |      |  |      |   |   |       |     |     |      |  |      |   |   |       |     |     |      |  |      |   |   |       |     |     |      |  |      |   |   |       |     |     |      |  |      |   |   |       |     |     |      |  |      |   |   |       |     |     |      |  |      |   |   |       |     |     |      |       |
| U-44 | "             | "                       | V-675    | 122  | 1/2           | 2900    | 1\"/> <tr> <td>U-45</td> <td>"</td> <td>"</td> <td>V-675</td> <td>122</td> <td>1/2</td> <td>2900</td> <td>1\"/&gt;  <tr> <td>U-46</td> <td>"</td> <td>"</td> <td>V-675</td> <td>122</td> <td>1/2</td> <td>2900</td> <td>1\"/&gt;  <tr> <td>U-47</td> <td>"</td> <td>"</td> <td>V-675</td> <td>122</td> <td>1/2</td> <td>2900</td> <td>1\"/&gt;  <tr> <td>U-48</td> <td>"</td> <td>"</td> <td>V-675</td> <td>122</td> <td>1/2</td> <td>2900</td> <td>1\"/&gt;  <tr> <td>U-49</td> <td>"</td> <td>"</td> <td>V-675</td> <td>122</td> <td>1/2</td> <td>2900</td> <td>1\"/&gt;  <tr> <td>U-50</td> <td>"</td> <td>"</td> <td>V-675</td> <td>122</td> <td>1/2</td> <td>2900</td> <td>1\"/&gt;  </td></tr></td></tr></td></tr></td></tr></td></tr></td></tr>  | U-45 | " | " | V-675  | 122  | 1/2 | 2900   | 1\"/> <tr> <td>U-46</td> <td>"</td> <td>"</td> <td>V-675</td> <td>122</td> <td>1/2</td> <td>2900</td> <td>1\"/&gt;  <tr> <td>U-47</td> <td>"</td> <td>"</td> <td>V-675</td> <td>122</td> <td>1/2</td> <td>2900</td> <td>1\"/&gt;  <tr> <td>U-48</td> <td>"</td> <td>"</td> <td>V-675</td> <td>122</td> <td>1/2</td> <td>2900</td> <td>1\"/&gt;  <tr> <td>U-49</td> <td>"</td> <td>"</td> <td>V-675</td> <td>122</td> <td>1/2</td> <td>2900</td> <td>1\"/&gt;  <tr> <td>U-50</td> <td>"</td> <td>"</td> <td>V-675</td> <td>122</td> <td>1/2</td> <td>2900</td> <td>1\"/&gt;  </td></tr></td></tr></td></tr></td></tr></td></tr>  
  | U-46 | " | " | V-675  | 122 | 1/2 | 2900   | 1\"/> <tr> <td>U-47</td> <td>"</td> <td>"</td> <td>V-675</td> <td>122</td> <td>1/2</td> <td>2900</td> <td>1\"/&gt;  <tr> <td>U-48</td> <td>"</td> <td>"</td> <td>V-675</td> <td>122</td> <td>1/2</td> <td>2900</td> <td>1\"/&gt;  <tr> <td>U-49</td> <td>"</td> <td>"</td> <td>V-675</td> <td>122</td> <td>1/2</td> <td>2900</td> <td>1\"/&gt;  <tr> <td>U-50</td> <td>"</td> <td>"</td> <td>V-675</td> <td>122</td> <td>1/2</td> <td>2900</td> <td>1\"/&gt;  </td></tr></td></tr></td></tr></td></tr>   | U-47 | " | " | V-675 | 122 | 1/2 | 2900    | 1\"/> <tr> <td>U-48</td> <td>"</td> <td>"</td> <td>V-675</td> <td>122</td> <td>1/2</td> <td>2900</td> <td>1\"/&gt;  <tr> <td>U-49</td> <td>"</td> <td>"</td> <td>V-675</td> <td>122</td> <td>1/2</td> <td>2900</td> <td>1\"/&gt;  <tr> <td>U-50</td> <td>"</td> <td>"</td> <td>V-675</td> <td>122</td> <td>1/2</td> <td>2900</td> <td>1\"/&gt;  </td></tr></td></tr></td></tr>  
   | U-48 | " | " | V-675 | 122 | 1/2 | 2900   | 1\"/> <tr> <td>U-49</td> <td>"</td> <td>"</td> <td>V-675</td> <td>122</td> <td>1/2</td> <td>2900</td> <td>1\"/&gt;  <tr> <td>U-50</td> <td>"</td> <td>"</td> <td>V-675</td> <td>122</td> <td>1/2</td> <td>2900</td> <td>1\"/&gt;  </td></tr></td></tr>   | U-49 | " | " | V-675 | 122 | 1/2 | 2900    | 1\"/> <tr> <td>U-50</td> <td>"</td> <td>"</td> <td>V-675</td> <td>122</td> <td>1/2</td> <td>2900</td> <td>1\"/&gt;  </td></tr>  
   | U-50 | "           | "      | V-675  | 122  | 1/2 | 2900 | 1\"/>  
  |      |   |   |        |      |     |      |  |      |   |   |        |     |     |      | | | | | | | | | | | | | | | | | | | | | | | | | | | | | | | | | | | | | | | | | | | | | | | | | |
   |      |   |   |       |     |     |      |   |      |   |   |       |     |     |      |   
  |      |   |   |       |     |     |      |   |      |   |   |       |     |     |      |  
   |      |   |   |       |     |     |      |   |      |   |   |       |     |     |      |   
  |      |   |   |       |     |     |      |  |      |   |   |       |     |     |      |   
  |      |   |   |       |     |     |      |  |      |   |   |       |     |     |      |   
  |      |   |   |       |     |     |      |  |      |   |   |       |     |     |      |   
  |      |   |   |       |     |     |      |  |      |   |   |       |     |     |      |  |      |   |   |       |     |     |      |  
   |      |   |   |       |     |     |      |  |      |   |   |       |     |     |      |  
   |      |   |   |       |     |     |      |  |      |   |   |       |     |     |      |  |      |   |   |       |     |     |      |   
  |      |   |   |       |     |     |      |  |      |   |   |       |     |     |      |  |      |   |   |       |     |     |      |  |      |   |   |       |     |     |      |   
  |      |   |   |       |     |     |      |  |      |   |   |       |     |     |      |  |      |   |   |       |     |     |      |  
   |      |   |   |       |     |     |      |  |      |   |   |       |     |     |      |  |      |   |   |       |     |     |      |  |      |   |   |       |     |     |      |  |      |   |   |       |     |     |      |   
  |      |   |   |       |     |     |      |  |      |   |   |       |     |     |      |  |      |   |   |       |     |     |      |  |      |   |   |       |     |     |      |  |      |   |   |       |     |     |      |  |      |   |   |       |     |     |      |  |      |   |   |       |     |     |      |  
   |      |   |   |       |     |     |      |  |      |   |   |       |     |     |      |  |      |   |   |       |     |     |      |  |      |   |   |       |     |     |      |  |      |   |   |       |     |     |      |  |      |   |   |       |     |     |      |  |      |   |   |       |     |     |      |  |      |   |   |       |     |     |      |       |
| U-45 | "             | "                       | V-675    | 122  | 1/2           | 2900    | 1\"/> <tr> <td>U-46</td> <td>"</td> <td>"</td> <td>V-675</td> <td>122</td> <td>1/2</td> <td>2900</td> <td>1\"/&gt;  <tr> <td>U-47</td> <td>"</td> <td>"</td> <td>V-675</td> <td>122</td> <td>1/2</td> <td>2900</td> <td>1\"/&gt;  <tr> <td>U-48</td> <td>"</td> <td>"</td> <td>V-675</td> <td>122</td> <td>1/2</td> <td>2900</td> <td>1\"/&gt;  <tr> <td>U-49</td> <td>"</td> <td>"</td> <td>V-675</td> <td>122</td> <td>1/2</td> <td>2900</td> <td>1\"/&gt;  <tr> <td>U-50</td> <td>"</td> <td>"</td> <td>V-675</td> <td>122</td> <td>1/2</td> <td>2900</td> <td>1\"/&gt;  </td></tr></td></tr></td></tr></td></tr></td></tr>  | U-46 | " | " | V-675  | 122  | 1/2 | 2900   | 1\"/> <tr> <td>U-47</td> <td>"</td> <td>"</td> <td>V-675</td> <td>122</td> <td>1/2</td> <td>2900</td> <td>1\"/&gt;  <tr> <td>U-48</td> <td>"</td> <td>"</td> <td>V-675</td> <td>122</td> <td>1/2</td> <td>2900</td> <td>1\"/&gt;  <tr> <td>U-49</td> <td>"</td> <td>"</td> <td>V-675</td> <td>122</td> <td>1/2</td> <td>2900</td> <td>1\"/&gt;  <tr> <td>U-50</td> <td>"</td> <td>"</td> <td>V-675</td> <td>122</td> <td>1/2</td> <td>2900</td> <td>1\"/&gt;  </td></tr></td></tr></td></tr></td></tr>  
  | U-47 | " | " | V-675  | 122 | 1/2 | 2900   | 1\"/> <tr> <td>U-48</td> <td>"</td> <td>"</td> <td>V-675</td> <td>122</td> <td>1/2</td> <td>2900</td> <td>1\"/&gt;  <tr> <td>U-49</td> <td>"</td> <td>"</td> <td>V-675</td> <td>122</td> <td>1/2</td> <td>2900</td> <td>1\"/&gt;  <tr> <td>U-50</td> <td>"</td> <td>"</td> <td>V-675</td> <td>122</td> <td>1/2</td> <td>2900</td> <td>1\"/&gt;  </td></tr></td></tr></td></tr>   | U-48 | " | " | V-675 | 122 | 1/2 | 2900    | 1\"/> <tr> <td>U-49</td> <td>"</td> <td>"</td> <td>V-675</td> <td>122</td> <td>1/2</td> <td>2900</td> <td>1\"/&gt;  <tr> <td>U-50</td> <td>"</td> <td>"</td> <td>V-675</td> <td>122</td> <td>1/2</td> <td>2900</td> <td>1\"/&gt;  </td></tr></td></tr>  
   | U-49 | " | " | V-675 | 122 | 1/2 | 2900   | 1\"/> <tr> <td>U-50</td> <td>"</td> <td>"</td> <td>V-675</td> <td>122</td> <td>1/2</td> <td>2900</td> <td>1\"/&gt;  </td></tr>   | U-50 | " | " | V-675 | 122 | 1/2 | 2900    | 1\"/>   
   |      |             |        |        |      |     |      | | | | | | | | | | | | | | | | | | | | | | | | | | | | | | | | | | | | | | | | | | | | | | | | | | | | | | | | | |
  |      |   |   |        |      |     |      |  |      |   |   |        |     |     |      |  
   |      |   |   |       |     |     |      |   |      |   |   |       |     |     |      |   
  |      |   |   |       |     |     |      |   |      |   |   |       |     |     |      |  
   |      |   |   |       |     |     |      |   |      |   |   |       |     |     |      |   
  |      |   |   |       |     |     |      |  |      |   |   |       |     |     |      |   
  |      |   |   |       |     |     |      |  |      |   |   |       |     |     |      |   
  |      |   |   |       |     |     |      |  |      |   |   |       |     |     |      |   
  |      |   |   |       |     |     |      |  |      |   |   |       |     |     |      |  |      |   |   |       |     |     |      |  
   |      |   |   |       |     |     |      |  |      |   |   |       |     |     |      |  
   |      |   |   |       |     |     |      |  |      |   |   |       |     |     |      |  |      |   |   |       |     |     |      |   
  |      |   |   |       |     |     |      |  |      |   |   |       |     |     |      |  |      |   |   |       |     |     |      |  |      |   |   |       |     |     |      |   
  |      |   |   |       |     |     |      |  |      |   |   |       |     |     |      |  |      |   |   |       |     |     |      |  
   |      |   |   |       |     |     |      |  |      |   |   |       |     |     |      |  |      |   |   |       |     |     |      |  |      |   |   |       |     |     |      |  |      |   |   |       |     |     |      |   
  |      |   |   |       |     |     |      |  |      |   |   |       |     |     |      |  |      |   |   |       |     |     |      |  |      |   |   |       |     |     |      |  |      |   |   |       |     |     |      |  |      |   |   |       |     |     |      |  |      |   |   |       |     |     |      |  
   |      |   |   |       |     |     |      |  |      |   |   |       |     |     |      |  |      |   |   |       |     |     |      |  |      |   |   |       |     |     |      |  |      |   |   |       |     |     |      |  |      |   |   |       |     |     |      |  |      |   |   |       |     |     |      |  |      |   |   |       |     |     |      |       |
| U-46 | "             | "                       | V-675    | 122  | 1/2           | 2900    | 1\"/> <tr> <td>U-47</td> <td>"</td> <td>"</td> <td>V-675</td> <td>122</td> <td>1/2</td> <td>2900</td> <td>1\"/&gt;  <tr> <td>U-48</td> <td>"</td> <td>"</td> <td>V-675</td> <td>122</td> <td>1/2</td> <td>2900</td> <td>1\"/&gt;  <tr> <td>U-49</td> <td>"</td> <td>"</td> <td>V-675</td> <td>122</td> <td>1/2</td> <td>2900</td> <td>1\"/&gt;  <tr> <td>U-50</td> <td>"</td> <td>"</td> <td>V-675</td> <td>122</td> <td>1/2</td> <td>2900</td> <td>1\"/&gt;  </td></tr></td></tr></td></tr></td></tr>  | U-47 | " | " | V-675  | 122  | 1/2 | 2900   | 1\"/> <tr> <td>U-48</td> <td>"</td> <td>"</td> <td>V-675</td> <td>122</td> <td>1/2</td> <td>2900</td> <td>1\"/&gt;  <tr> <td>U-49</td> <td>"</td> <td>"</td> <td>V-675</td> <td>122</td> <td>1/2</td> <td>2900</td> <td>1\"/&gt;  <tr> <td>U-50</td> <td>"</td> <td>"</td> <td>V-675</td> <td>122</td> <td>1/2</td> <td>2900</td> <td>1\"/&gt;  </td></tr></td></tr></td></tr>  
  | U-48 | " | " | V-675  | 122 | 1/2 | 2900   | 1\"/> <tr> <td>U-49</td> <td>"</td> <td>"</td> <td>V-675</td> <td>122</td> <td>1/2</td> <td>2900</td> <td>1\"/&gt;  <tr> <td>U-50</td> <td>"</td> <td>"</td> <td>V-675</td> <td>122</td> <td>1/2</td> <td>2900</td> <td>1\"/&gt;  </td></tr></td></tr>   | U-49 | " | " | V-675 | 122 | 1/2 | 2900    | 1\"/> <tr> <td>U-50</td> <td>"</td> <td>"</td> <td>V-675</td> <td>122</td> <td>1/2</td> <td>2900</td> <td>1\"/&gt;  </td></tr>  
   | U-50 | " | " | V-675 | 122 | 1/2 | 2900   | 1\"/>  |      |   |   |       |     |     |         | | | | | | | | | | | | | | | | | | | | | | | | | | | | | | | | | | | | | | | | | | | | | | | | | |
   |      |             |        |        |      |     |      |  
  |      |   |   |        |      |     |      |  |      |   |   |        |     |     |      |  
   |      |   |   |       |     |     |      |   |      |   |   |       |     |     |      |   
  |      |   |   |       |     |     |      |   |      |   |   |       |     |     |      |  
   |      |   |   |       |     |     |      |   |      |   |   |       |     |     |      |   
  |      |   |   |       |     |     |      |  |      |   |   |       |     |     |      |   
  |      |   |   |       |     |     |      |  |      |   |   |       |     |     |      |   
  |      |   |   |       |     |     |      |  |      |   |   |       |     |     |      |   
  |      |   |   |       |     |     |      |  |      |   |   |       |     |     |      |  |      |   |   |       |     |     |      |  
   |      |   |   |       |     |     |      |  |      |   |   |       |     |     |      |  
   |      |   |   |       |     |     |      |  |      |   |   |       |     |     |      |  |      |   |   |       |     |     |      |   
  |      |   |   |       |     |     |      |  |      |   |   |       |     |     |      |  |      |   |   |       |     |     |      |  |      |   |   |       |     |     |      |   
  |      |   |   |       |     |     |      |  |      |   |   |       |     |     |      |  |      |   |   |       |     |     |      |  
   |      |   |   |       |     |     |      |  |      |   |   |       |     |     |      |  |      |   |   |       |     |     |      |  |      |   |   |       |     |     |      |  |      |   |   |       |     |     |      |   
  |      |   |   |       |     |     |      |  |      |   |   |       |     |     |      |  |      |   |   |       |     |     |      |  |      |   |   |       |     |     |      |  |      |   |   |       |     |     |      |  |      |   |   |       |     |     |      |  |      |   |   |       |     |     |      |  
   |      |   |   |       |     |     |      |  |      |   |   |       |     |     |      |  |      |   |   |       |     |     |      |  |      |   |   |       |     |     |      |  |      |   |   |       |     |     |      |  |      |   |   |       |     |     |      |  |      |   |   |       |     |     |      |  |      |   |   |       |     |     |      |       |
| U-47 | "             | "                       | V-675    | 122  | 1/2           | 2900    | 1\"/> <tr> <td>U-48</td> <td>"</td> <td>"</td> <td>V-675</td> <td>122</td> <td>1/2</td> <td>2900</td> <td>1\"/&gt;  <tr> <td>U-49</td> <td>"</td> <td>"</td> <td>V-675</td> <td>122</td> <td>1/2</td> <td>2900</td> <td>1\"/&gt;  <tr> <td>U-50</td> <td>"</td> <td>"</td> <td>V-675</td> <td>122</td> <td>1/2</td> <td>2900</td> <td>1\"/&gt;  </td></tr></td></tr></td></tr>  | U-48 | " | " | V-675  | 122  | 1/2 | 2900   | 1\"/> <tr> <td>U-49</td> <td>"</td> <td>"</td> <td>V-675</td> <td>122</td> <td>1/2</td> <td>2900</td> <td>1\"/&gt;  <tr> <td>U-50</td> <td>"</td> <td>"</td> <td>V-675</td> <td>122</td> <td>1/2</td> <td>2900</td> <td>1\"/&gt;  </td></tr></td></tr>  
  | U-49 | " | " | V-675  | 122 | 1/2 | 2900   | 1\"/> <tr> <td>U-50</td> <td>"</td> <td>"</td> <td>V-675</td> <td>122</td> <td>1/2</td> <td>2900</td> <td>1\"/&gt;  </td></tr>   | U-50 | " | " | V-675 | 122 | 1/2 | 2900    | 1\"/>   
   |      |   |   |       |     |     |        |  |      |   |   |       |     |     |         | | | | | | | | | | | | | | | | | | | | | | | | | | | | | | | | | | | | | | | | | | | | | | | | | |
   |      |             |        |        |      |     |      |  
  |      |   |   |        |      |     |      |  |      |   |   |        |     |     |      |  
   |      |   |   |       |     |     |      |   |      |   |   |       |     |     |      |   
  |      |   |   |       |     |     |      |   |      |   |   |       |     |     |      |  
   |      |   |   |       |     |     |      |   |      |   |   |       |     |     |      |   
  |      |   |   |       |     |     |      |  |      |   |   |       |     |     |      |   
  |      |   |   |       |     |     |      |  |      |   |   |       |     |     |      |   
  |      |   |   |       |     |     |      |  |      |   |   |       |     |     |      |   
  |      |   |   |       |     |     |      |  |      |   |   |       |     |     |      |  |      |   |   |       |     |     |      |  
   |      |   |   |       |     |     |      |  |      |   |   |       |     |     |      |  
   |      |   |   |       |     |     |      |  |      |   |   |       |     |     |      |  |      |   |   |       |     |     |      |   
  |      |   |   |       |     |     |      |  |      |   |   |       |     |     |      |  |      |   |   |       |     |     |      |  |      |   |   |       |     |     |      |   
  |      |   |   |       |     |     |      |  |      |   |   |       |     |     |      |  |      |   |   |       |     |     |      |  
   |      |   |   |       |     |     |      |  |      |   |   |       |     |     |      |  |      |   |   |       |     |     |      |  |      |   |   |       |     |     |      |  |      |   |   |       |     |     |      |   
  |      |   |   |       |     |     |      |  |      |   |   |       |     |     |      |  |      |   |   |       |     |     |      |  |      |   |   |       |     |     |      |  |      |   |   |       |     |     |      |  |      |   |   |       |     |     |      |  |      |   |   |       |     |     |      |  
   |      |   |   |       |     |     |      |  |      |   |   |       |     |     |      |  |      |   |   |       |     |     |      |  |      |   |   |       |     |     |      |  |      |   |   |       |     |     |      |  |      |   |   |       |     |     |      |  |      |   |   |       |     |     |      |  |      |   |   |       |     |     |      |       |
| U-48 | "             | "                       | V-675    | 122  | 1/2           | 2900    | 1\"/> <tr> <td>U-49</td> <td>"</td> <td>"</td> <td>V-675</td> <td>122</td> <td>1/2</td> <td>2900</td> <td>1\"/&gt;  <tr> <td>U-50</td> <td>"</td> <td>"</td> <td>V-675</td> <td>122</td> <td>1/2</td> <td>2900</td> <td>1\"/&gt;  </td></tr></td></tr>  | U-49 | " | " | V-675  | 122  | 1/2 | 2900   | 1\"/> <tr> <td>U-50</td> <td>"</td> <td>"</td> <td>V-675</td> <td>122</td> <td>1/2</td> <td>2900</td> <td>1\"/&gt;  </td></tr>  
  | U-50 | " | " | V-675  | 122 | 1/2 | 2900   | 1\"/>  |      |   |   |       |     |     |         | | | | | | | | | | | | | | | | | | | | | | | | | | | | | | | | | | | | | | | | | | | | | | | | | |
   |      |   |   |       |     |     |        |  |      |   |   |       |     |     |         |   
   |      |             |        |        |      |     |      |  
  |      |   |   |        |      |     |      |  |      |   |   |        |     |     |      |  
   |      |   |   |       |     |     |      |   |      |   |   |       |     |     |      |   
  |      |   |   |       |     |     |      |   |      |   |   |       |     |     |      |  
   |      |   |   |       |     |     |      |   |      |   |   |       |     |     |      |   
  |      |   |   |       |     |     |      |  |      |   |   |       |     |     |      |   
  |      |   |   |       |     |     |      |  |      |   |   |       |     |     |      |   
  |      |   |   |       |     |     |      |  |      |   |   |       |     |     |      |   
  |      |   |   |       |     |     |      |  |      |   |   |       |     |     |      |  |      |   |   |       |     |     |      |  
   |      |   |   |       |     |     |      |  |      |   |   |       |     |     |      |  
   |      |   |   |       |     |     |      |  |      |   |   |       |     |     |      |  |      |   |   |       |     |     |      |   
  |      |   |   |       |     |     |      |  |      |   |   |       |     |     |      |  |      |   |   |       |     |     |      |  |      |   |   |       |     |     |      |   
  |      |   |   |       |     |     |      |  |      |   |   |       |     |     |      |  |      |   |   |       |     |     |      |  
   |      |   |   |       |     |     |      |  |      |   |   |       |     |     |      |  |      |   |   |       |     |     |      |  |      |   |   |       |     |     |      |  |      |   |   |       |     |     |      |   
  |      |   |   |       |     |     |      |  |      |   |   |       |     |     |      |  |      |   |   |       |     |     |      |  |      |   |   |       |     |     |      |  |      |   |   |       |     |     |      |  |      |   |   |       |     |     |      |  |      |   |   |       |     |     |      |  
   |      |   |   |       |     |     |      |  |      |   |   |       |     |     |      |  |      |   |   |       |     |     |      |  |      |   |   |       |     |     |      |  |      |   |   |       |     |     |      |  |      |   |   |       |     |     |      |  |      |   |   |       |     |     |      |  |      |   |   |       |     |     |      |       |
| U-49 | "             | "                       | V-675    | 122  | 1/2           | 2900    | 1\"/> <tr> <td>U-50</td> <td>"</td> <td>"</td> <td>V-675</td> <td>122</td> <td>1/2</td> <td>2900</td> <td>1\"/&gt;  </td></tr>  | U-50 | " | " | V-675  | 122  | 1/2 | 2900   | 1\"/>   
  |      |   |   |        |     |     |        |  |      |   |   |       |     |     |         | | | | | | | | | | | | | | | | | | | | | | | | | | | | | | | | | | | | | | | | | | | | | | | | | |
   |      |   |   |       |     |     |        |  |      |   |   |       |     |     |         |   
   |      |             |        |        |      |     |      |  
  |      |   |   |        |      |     |      |  |      |   |   |        |     |     |      |  
   |      |   |   |       |     |     |      |   |      |   |   |       |     |     |      |   
  |      |   |   |       |     |     |      |   |      |   |   |       |     |     |      |  
   |      |   |   |       |     |     |      |   |      |   |   |       |     |     |      |   
  |      |   |   |       |     |     |      |  |      |   |   |       |     |     |      |   
  |      |   |   |       |     |     |      |  |      |   |   |       |     |     |      |   
  |      |   |   |       |     |     |      |  |      |   |   |       |     |     |      |   
  |      |   |   |       |     |     |      |  |      |   |   |       |     |     |      |  |      |   |   |       |     |     |      |  
   |      |   |   |       |     |     |      |  |      |   |   |       |     |     |      |  
   |      |   |   |       |     |     |      |  |      |   |   |       |     |     |      |  |      |   |   |       |     |     |      |   
  |      |   |   |       |     |     |      |  |      |   |   |       |     |     |      |  |      |   |   |       |     |     |      |  |      |   |   |       |     |     |      |   
  |      |   |   |       |     |     |      |  |      |   |   |       |     |     |      |  |      |   |   |       |     |     |      |  
   |      |   |   |       |     |     |      |  |      |   |   |       |     |     |      |  |      |   |   |       |     |     |      |  |      |   |   |       |     |     |      |  |      |   |   |       |     |     |      |   
  |      |   |   |       |     |     |      |  |      |   |   |       |     |     |      |  |      |   |   |       |     |     |      |  |      |   |   |       |     |     |      |  |      |   |   |       |     |     |      |  |      |   |   |       |     |     |      |  |      |   |   |       |     |     |      |  
   |      |   |   |       |     |     |      |  |      |   |   |       |     |     |      |  |      |   |   |       |     |     |      |  |      |   |   |       |     |     |      |  |      |   |   |       |     |     |      |  |      |   |   |       |     |     |      |  |      |   |   |       |     |     |      |  |      |   |   |       |     |     |      |       |
| U-50 | "             | "                       | V-675    | 122  | 1/2           | 2900    | 1\"/>   |      |   |   |        |      |     |        |   
  |      |   |   |        |     |     |        |  |      |   |   |       |     |     |         |   
   |      |   |   |       |     |     |        |  |      |   |   |       |     |     |         |   
   |      |             |        |        |      |     |      |  
  |      |   |   |        |      |     |      |  |      |   |   |        |     |     |      |  
   |      |   |   |       |     |     |      |   |      |   |   |       |     |     |      |   
  |      |   |   |       |     |     |      |   |      |   |   |       |     |     |      |  
   |      |   |   |       |     |     |      |   |      |   |   |       |     |     |      |   
  |      |   |   |       |     |     |      |  |      |   |   |       |     |     |      |   
  |      |   |   |       |     |     |      |  |      |   |   |       |     |     |      |   
  |      |   |   |       |     |     |      |  |      |   |   |       |     |     |      |   
  |      |   |   |       |     |     |      |  |      |   |   |       |     |     |      |  |      |   |   |       |     |     |      |  
   |      |   |   |       |     |     |      |  |      |   |   |       |     |     |      |  
   |      |   |   |       |     |     |      |  |      |   |   |       |     |     |      |  |      |   |   |       |     |     |      |   
  |      |   |   |       |     |     |      |  |      |   |   |       |     |     |      |  |      |   |   |       |     |     |      |  |      |   |   |       |     |     |      |   
  |      |   |   |       |     |     |      |  |      |   |   |       |     |     |      |  |      |   |   |       |     |     |      |  
   |      |   |   |       |     |     |      |  |      |   |   |       |     |     |      |  |      |   |   |       |     |     |      |  |      |   |   |       |     |     |      |  |      |   |   |       |     |     |      |   
  |      |   |   |       |     |     |      |  |      |   |   |       |     |     |      |  |      |   |   |       |     |     |      |  |      |   |   |       |     |     |      |  |      |   |   |       |     |     |      |  |      |   |   |       |     |     |      |  |      |   |   |       |     |     |      |  
   |      |   |   |       |     |     |      |  |      |   |   |       |     |     |      |  |      |   |   |       |     |     |      |  |      |   |   |       |     |     |      |  |      |   |   |       |     |     |      |  |      |   |   |       |     |     |      |  |      |   |   |       |     |     |      |  |      |   |   |       |     |     |      |       |



**ELECTRICAL SCHEDULE**

NO.	DESCRIPTION	AMPS	VOLTS	PHASES	REMARKS
1	PROVIDE ONE (1) 20 AMP 240 VOLT MAIN BREAKER	20	240	3	SEE DETAIL SHEET 2 OF 3
2	PROVIDE ONE (1) 20 AMP 240 VOLT MAIN BREAKER	20	240	3	SEE DETAIL SHEET 2 OF 3
3	PROVIDE ONE (1) 20 AMP 240 VOLT MAIN BREAKER	20	240	3	SEE DETAIL SHEET 2 OF 3
4	PROVIDE ONE (1) 20 AMP 240 VOLT MAIN BREAKER	20	240	3	SEE DETAIL SHEET 2 OF 3
5	PROVIDE ONE (1) 20 AMP 240 VOLT MAIN BREAKER	20	240	3	SEE DETAIL SHEET 2 OF 3
6	PROVIDE ONE (1) 20 AMP 240 VOLT MAIN BREAKER	20	240	3	SEE DETAIL SHEET 2 OF 3
7	PROVIDE ONE (1) 20 AMP 240 VOLT MAIN BREAKER	20	240	3	SEE DETAIL SHEET 2 OF 3
8	PROVIDE ONE (1) 20 AMP 240 VOLT MAIN BREAKER	20	240	3	SEE DETAIL SHEET 2 OF 3
9	PROVIDE ONE (1) 20 AMP 240 VOLT MAIN BREAKER	20	240	3	SEE DETAIL SHEET 2 OF 3
10	PROVIDE ONE (1) 20 AMP 240 VOLT MAIN BREAKER	20	240	3	SEE DETAIL SHEET 2 OF 3
11	PROVIDE ONE (1) 20 AMP 240 VOLT MAIN BREAKER	20	240	3	SEE DETAIL SHEET 2 OF 3
12	PROVIDE ONE (1) 20 AMP 240 VOLT MAIN BREAKER	20	240	3	SEE DETAIL SHEET 2 OF 3
13	PROVIDE ONE (1) 20 AMP 240 VOLT MAIN BREAKER	20	240	3	SEE DETAIL SHEET 2 OF 3
14	PROVIDE ONE (1) 20 AMP 240 VOLT MAIN BREAKER	20	240	3	SEE DETAIL SHEET 2 OF 3
15	PROVIDE ONE (1) 20 AMP 240 VOLT MAIN BREAKER	20	240	3	SEE DETAIL SHEET 2 OF 3
16	PROVIDE ONE (1) 20 AMP 240 VOLT MAIN BREAKER	20	240	3	SEE DETAIL SHEET 2 OF 3
17	PROVIDE ONE (1) 20 AMP 240 VOLT MAIN BREAKER	20	240	3	SEE DETAIL SHEET 2 OF 3
18	PROVIDE ONE (1) 20 AMP 240 VOLT MAIN BREAKER	20	240	3	SEE DETAIL SHEET 2 OF 3
19	PROVIDE ONE (1) 20 AMP 240 VOLT MAIN BREAKER	20	240	3	SEE DETAIL SHEET 2 OF 3
20	PROVIDE ONE (1) 20 AMP 240 VOLT MAIN BREAKER	20	240	3	SEE DETAIL SHEET 2 OF 3
21	PROVIDE ONE (1) 20 AMP 240 VOLT MAIN BREAKER	20	240	3	SEE DETAIL SHEET 2 OF 3
22	PROVIDE ONE (1) 20 AMP 240 VOLT MAIN BREAKER	20	240	3	SEE DETAIL SHEET 2 OF 3
23	PROVIDE ONE (1) 20 AMP 240 VOLT MAIN BREAKER	20	240	3	SEE DETAIL SHEET 2 OF 3
24	PROVIDE ONE (1) 20 AMP 240 VOLT MAIN BREAKER	20	240	3	SEE DETAIL SHEET 2 OF 3
25	PROVIDE ONE (1) 20 AMP 240 VOLT MAIN BREAKER	20	240	3	SEE DETAIL SHEET 2 OF 3
26	PROVIDE ONE (1) 20 AMP 240 VOLT MAIN BREAKER	20	240	3	SEE DETAIL SHEET 2 OF 3
27	PROVIDE ONE (1) 20 AMP 240 VOLT MAIN BREAKER	20	240	3	SEE DETAIL SHEET 2 OF 3
28	PROVIDE ONE (1) 20 AMP 240 VOLT MAIN BREAKER	20	240	3	SEE DETAIL SHEET 2 OF 3
29	PROVIDE ONE (1) 20 AMP 240 VOLT MAIN BREAKER	20	240	3	SEE DETAIL SHEET 2 OF 3
30	PROVIDE ONE (1) 20 AMP 240 VOLT MAIN BREAKER	20	240	3	SEE DETAIL SHEET 2 OF 3
31	PROVIDE ONE (1) 20 AMP 240 VOLT MAIN BREAKER	20	240	3	SEE DETAIL SHEET 2 OF 3
32	PROVIDE ONE (1) 20 AMP 240 VOLT MAIN BREAKER	20	240	3	SEE DETAIL SHEET 2 OF 3
33	PROVIDE ONE (1) 20 AMP 240 VOLT MAIN BREAKER	20	240	3	SEE DETAIL SHEET 2 OF 3
34	PROVIDE ONE (1) 20 AMP 240 VOLT MAIN BREAKER	20	240	3	SEE DETAIL SHEET 2 OF 3
35	PROVIDE ONE (1) 20 AMP 240 VOLT MAIN BREAKER	20	240	3	SEE DETAIL SHEET 2 OF 3
36	PROVIDE ONE (1) 20 AMP 240 VOLT MAIN BREAKER	20	240	3	SEE DETAIL SHEET 2 OF 3
37	PROVIDE ONE (1) 20 AMP 240 VOLT MAIN BREAKER	20	240	3	SEE DETAIL SHEET 2 OF 3
38	PROVIDE ONE (1) 20 AMP 240 VOLT MAIN BREAKER	20	240	3	SEE DETAIL SHEET 2 OF 3
39	PROVIDE ONE (1) 20 AMP 240 VOLT MAIN BREAKER	20	240	3	SEE DETAIL SHEET 2 OF 3
40	PROVIDE ONE (1) 20 AMP 240 VOLT MAIN BREAKER	20	240	3	SEE DETAIL SHEET 2 OF 3
41	PROVIDE ONE (1) 20 AMP 240 VOLT MAIN BREAKER	20	240	3	SEE DETAIL SHEET 2 OF 3
42	PROVIDE ONE (1) 20 AMP 240 VOLT MAIN BREAKER	20	240	3	SEE DETAIL SHEET 2 OF 3
43	PROVIDE ONE (1) 20 AMP 240 VOLT MAIN BREAKER	20	240	3	SEE DETAIL SHEET 2 OF 3
44	PROVIDE ONE (1) 20 AMP 240 VOLT MAIN BREAKER	20	240	3	SEE DETAIL SHEET 2 OF 3
45	PROVIDE ONE (1) 20 AMP 240 VOLT MAIN BREAKER	20	240	3	SEE DETAIL SHEET 2 OF 3
46	PROVIDE ONE (1) 20 AMP 240 VOLT MAIN BREAKER	20	240	3	SEE DETAIL SHEET 2 OF 3
47	PROVIDE ONE (1) 20 AMP 240 VOLT MAIN BREAKER	20	240	3	SEE DETAIL SHEET 2 OF 3
48	PROVIDE ONE (1) 20 AMP 240 VOLT MAIN BREAKER	20	240	3	SEE DETAIL SHEET 2 OF 3
49	PROVIDE ONE (1) 20 AMP 240 VOLT MAIN BREAKER	20	240	3	SEE DETAIL SHEET 2 OF 3
50	PROVIDE ONE (1) 20 AMP 240 VOLT MAIN BREAKER	20	240	3	SEE DETAIL SHEET 2 OF 3

**LEGEND**

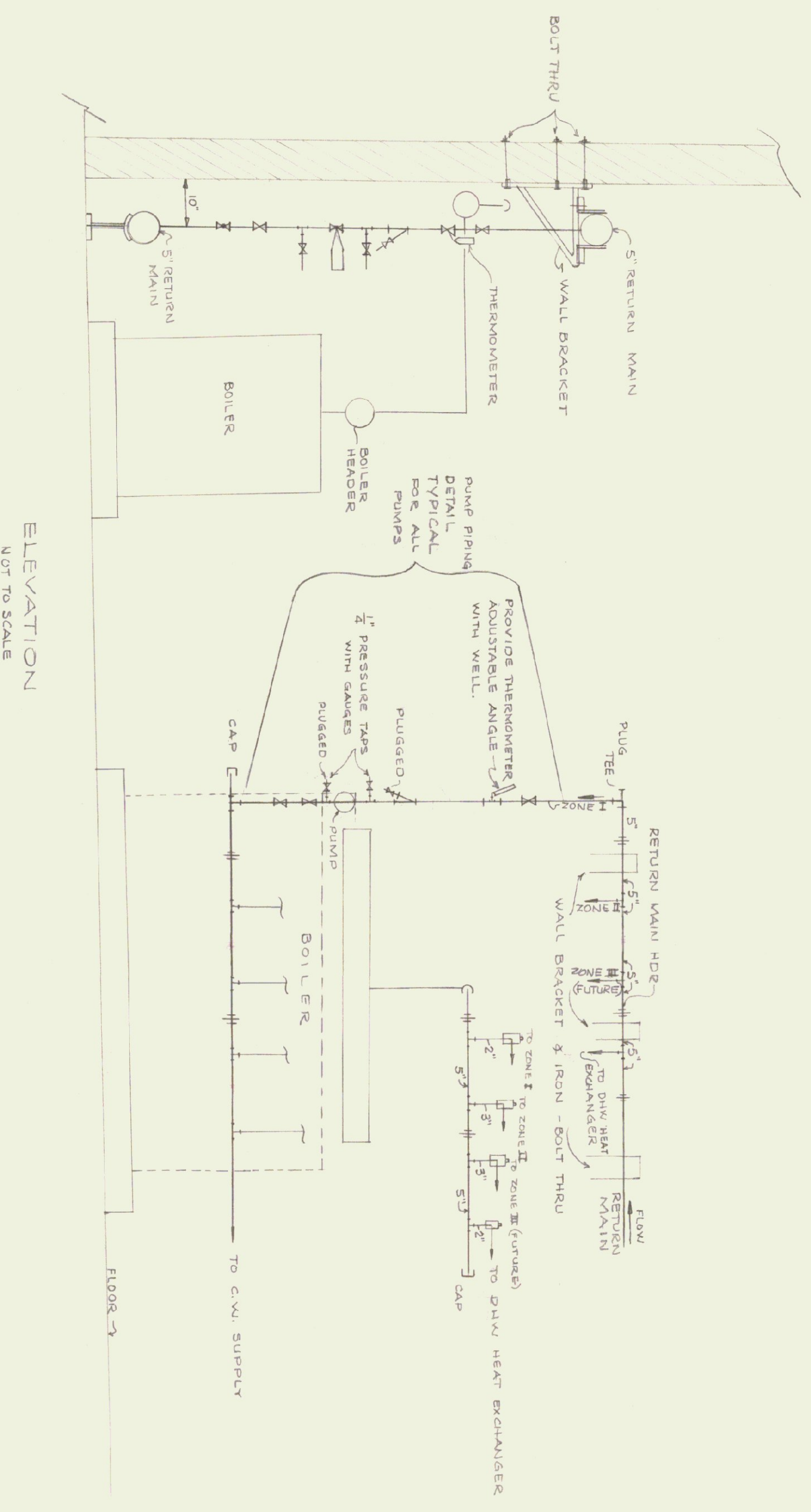
- BOILER VALVE
- GATE VALVE
- CHECK VALVE
- BALANCING COCK
- FLOW CONTROL VALVE
- UNION
- FUSIBLE LEVER-IMATIC
- STRAINER
- SHUT OFF VALVE
- BACKFLOW PREVENTER
- FULL LINE SIZE
- ZONE VALVE

**STATE OF VERMONT**  
DEPARTMENT OF ADMINISTRATION  
VERMONT  
HEATING SYSTEM RENOVATIONS  
GARAGE AND OFFICE BUILDING  
VERMONT DEPARTMENT OF HIGHWAYS  
BENNINGTON, VERMONT

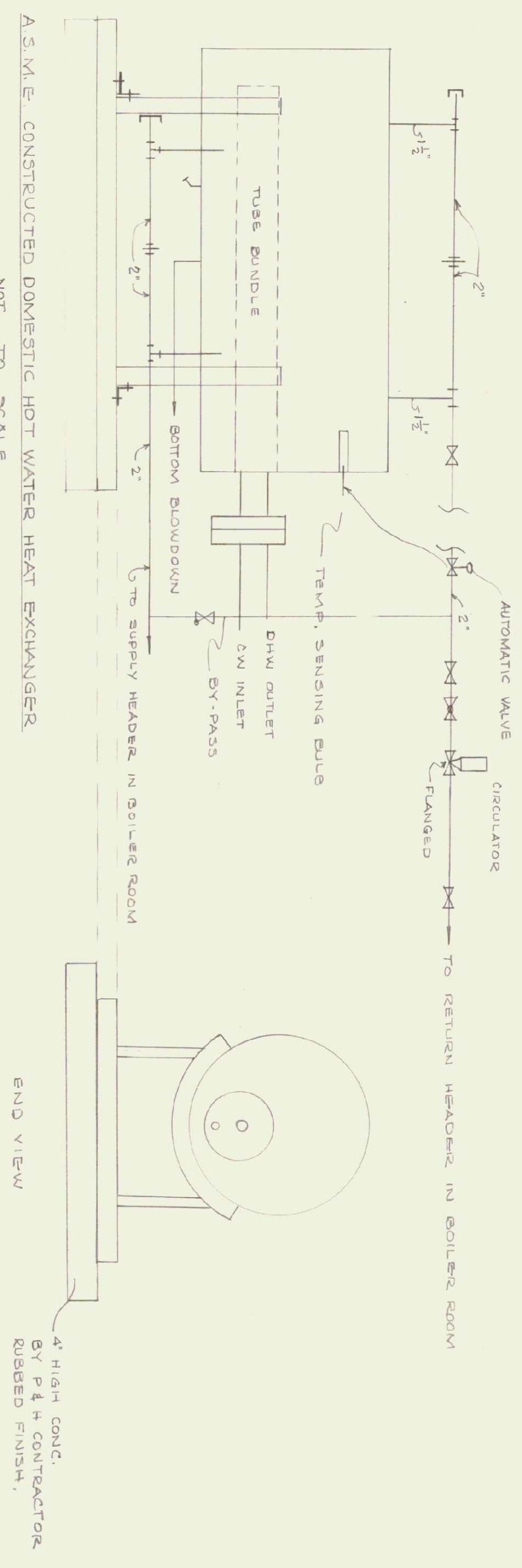
**REVISION**

NO.	DATE	DESCRIPTION
1	6-76	INITIAL DATE
2		REVISION

**DATE:** 6-76  
**DRAWN BY:** G.M. Wood  
**DESIGNED BY:** G. Mastro  
**APPROVED BY:** G. Mastro  
**DWG. NO.:** 2 OF 3



ELEVATION  
NOT TO SCALE



A.S.M.E. CONSTRUCTED DOMESTIC HOT WATER HEAT EXCHANGER  
NOT TO SCALE

D.H.W. HEAT EXCHANGER NOTE  
PATTERSON - KELLEY  
COMPACT SERIES - 400.  
SEE SPECIFICATIONS

NOTES

1. ZONE I : INCLUDES GENERAL OFFICE, DISTRICT ENGINEER'S OFFICE, ASSISTANT DISTRICT ENGINEER'S OFFICE, SHOP OFFICE, SHOP STORAGE ROOM, OFFICE STORAGE ROOM, WOMEN'S AND MEN'S TOILETS, CLOSET, LOCKER ROOM, AND CORRIDOR.
2. ZONE II : MAINTENANCE SHOP.
3. ZONE III : GARAGE STORAGE AREA.
4. GENERAL CONSTRUCTION OF BOILER ROOM WALLS, DOORS & CHIMNEY BY OTHERS.
5. HEATING AND PUMPING CONTRACTOR SHALL MAINTAIN EXISTING SYSTEM OPERATIONAL UNTIL NEW SYSTEM IS OPERATIONAL, AT WHICH TIME, THROUGH SIMPLE VALVING AND CAPPING, HE SHALL ISOLATE SYSTEMS. BUILDING SHALL NOT BE WITHOUT HEAT AT ANY TIME. THIS SHALL BE HEATING AND PUMPING CONTRACTOR'S RESPONSIBILITY.
6. HEATING AND PUMPING CONTRACTOR SHALL BE RESPONSIBLE FOR REMOVING EXISTING BOILER, PIPING, CONTROLS, WIRING AND CONDUIT, INFRARED GAS HEATERS, GAS PIPING (REQUIRED) BACK TO MAIN GARAGE STORAGE AREA.
7. SEE HEATING EQUIPMENT SCHEDULE, SHEET 2 OF 3, FOR NEW BASEBOARD RADIATION, UNIT HEATERS, AND PUMPS.
8. NEW ZONE VALVES SHALL BE PENN V-70AA-2. THERMOSTAT BY PENN.

GENERAL NOTES

1. CONTRACTOR SHALL SUBMIT DATA AND CUTS OF EQUIPMENT FOR APPROVAL PRIOR TO ORDERING MATERIAL.
2. ALL PIPING IS SCHEMATIC, CONTRACTOR SHALL COORDINATE HIS WORK WITH OTHER TRADES.
3. MOTORS ON ALL NEW UNIT HEATERS SHALL BE TOTALLY ENCLOSED CONSTRUCTION WITH PERMANENTLY LUBRICATED BEARINGS AND BUILT-IN THERMAL OVERLOAD PROTECTION.
4. HEATING CONTRACTOR SHALL PROVIDE SERVICE SWITCH AT EACH UNIT HEATER.
5. SEE SITE PLAN FOR LOCATION OF BURIED OIL TANK. HEATING AND PUMPING CONTRACTOR SHALL FURNISH AND INSTALL A TANK GAUGE IN BOILER ROOM - GAUGE TO READ DIRECTLY IN GALLONS. MOUNT ON PAINTED 3/4" PLYWOOD.
6. ALL WATER SUPPLY PIPING ABOVE FLOOR SLAB ELEVATION SHALL BE INSULATED AND PAINTED.
7. ALL HEATING PIPING IN THE BOILER ROOM, MAIN BUILDING, AND THROUGH SLEEVES SHALL BE INSULATED AND PAINTED.
8. EACH CIRCULATING PUMP SHALL HAVE BUILT-IN THERMAL OVERLOAD PROTECTION. EACH PUMP SHALL BE WIRED THROUGH MAGNETIC STARTERS WITH DOUBLE SET OF CONTACTS.
9. GARAGE AND MECHANICALS WORK AREA:
10. ALL PUMPS SHALL BE RATED TO OPERATE ON 120/240 V/1 PH./3W UNLESS OTHERWISE SPECIFIED OR INDICATED.
11. ALL ELECTRICAL PANELS, MAGNETIC STARTERS, THERMOSTATS, TANK GAUGE, ETC., SHALL BE MOUNTED ON FULLY-PAINTED, 5/2" PLYWOOD BO. 1/2" OFF MASONRY WALLS.
12. PROVIDE ONE OIL BURNER SAFETY SWITCH OUTSIDE OF BOILER ROOM DOOR. PROVIDE ONE OIL BURNER SAFETY SWITCH AT MAIN ENTRANCE OF MAIN GARAGE BUILDING AT MAIN DOOR, SOUTH SIDE OF GARAGE.
13. PROVIDE BOILER ROOM FLOOR DRAIN (4") WITH CAST IRON PIPING TO NEW DRY WELL - PITCH TO DRYWELL. PROVIDE 4 DIA. BY 8 DEEP DRYWELL WITH COVER/FULL OUTSIDE PERIMETER WITH 2" STOVE, 24" WIDE.
14. EACH CONCRETE BOILER AND DOMESTIC HOT WATER HEAT EXCHANGER PAD SHALL BE LEVEL. (BY PUMPING AND HEATING CONTRACTOR)
15. PIPING FOR FUEL OIL FILL AND VENT SHALL BE SCHEDULE 40 BLACK STEEL ASTM A-120 WITH MALLEABLE IRON SCREWED FITTINGS. PIPING FOR SUPPLY AND RETURN LINES BETWEEN BURNER AND TANK SHALL BE CONTINUOUS COPPER EACH INDEPENDENTLY RUNNING IN 2-2" PVC. IN BOILER ROOM PROTECT COPPER LINES RUNNING ON FLOOR WITH STEEL CHANNEL IRON.
16. NO PENETRATIONS OR ANCHORAGES TO BE MADE TO AND THROUGH THE ROOF METAL DECK.

STATE OF VERMONT STATE BUILDINGS DIVISION DEPARTMENT OF ADMINISTRATION MONTPELIER, VERMONT	
HEATING SYSTEM RENOVATIONS GARAGE AND OFFICE BUILDING VERMONT DEPARTMENT OF HIGHWAYS BENNINGTON, VERMONT - DIST # 1	
DATE: 6 - 76	DESIGNED BY: 4. Mastro
DRAWN BY: P.C.W.	APPROVED BY: E.W. Wheeler
	DWG. NO. 3 OF 3