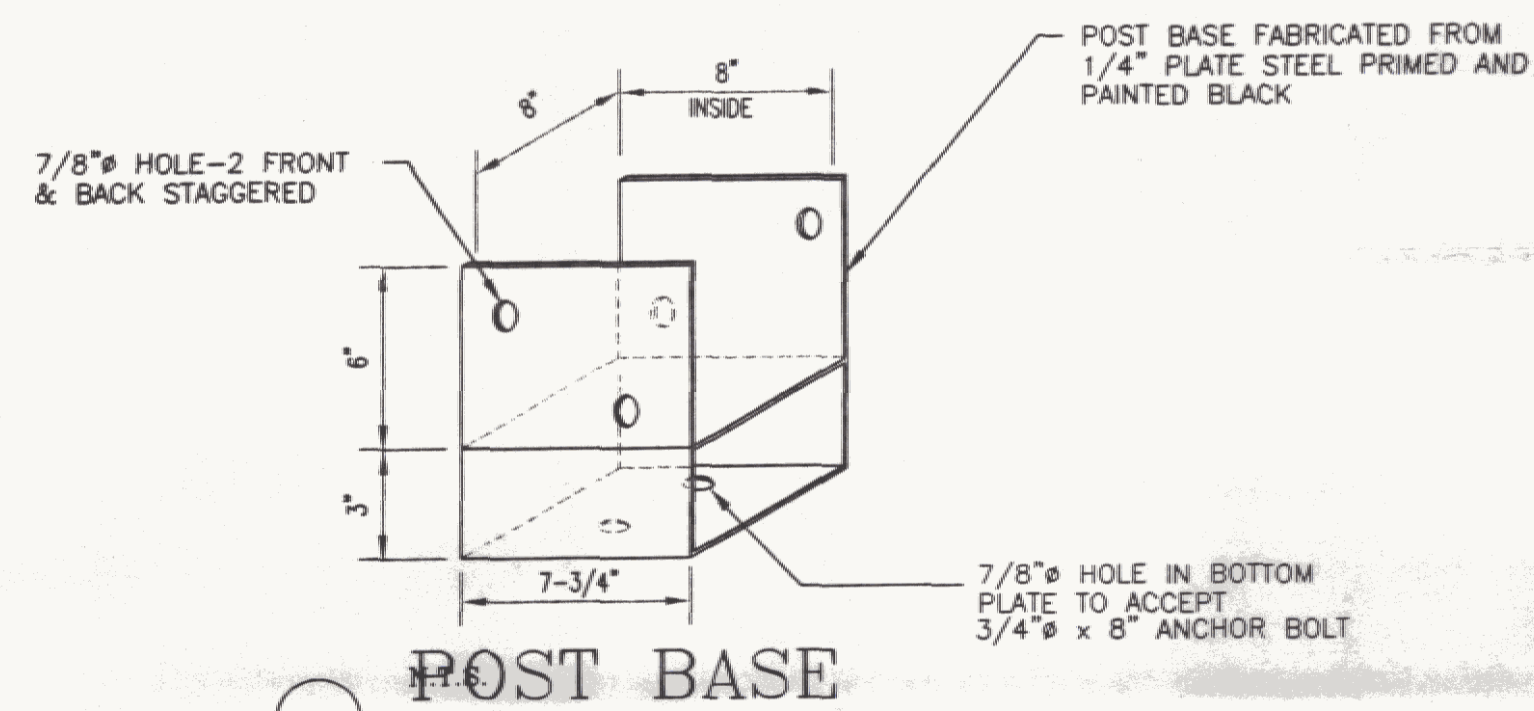


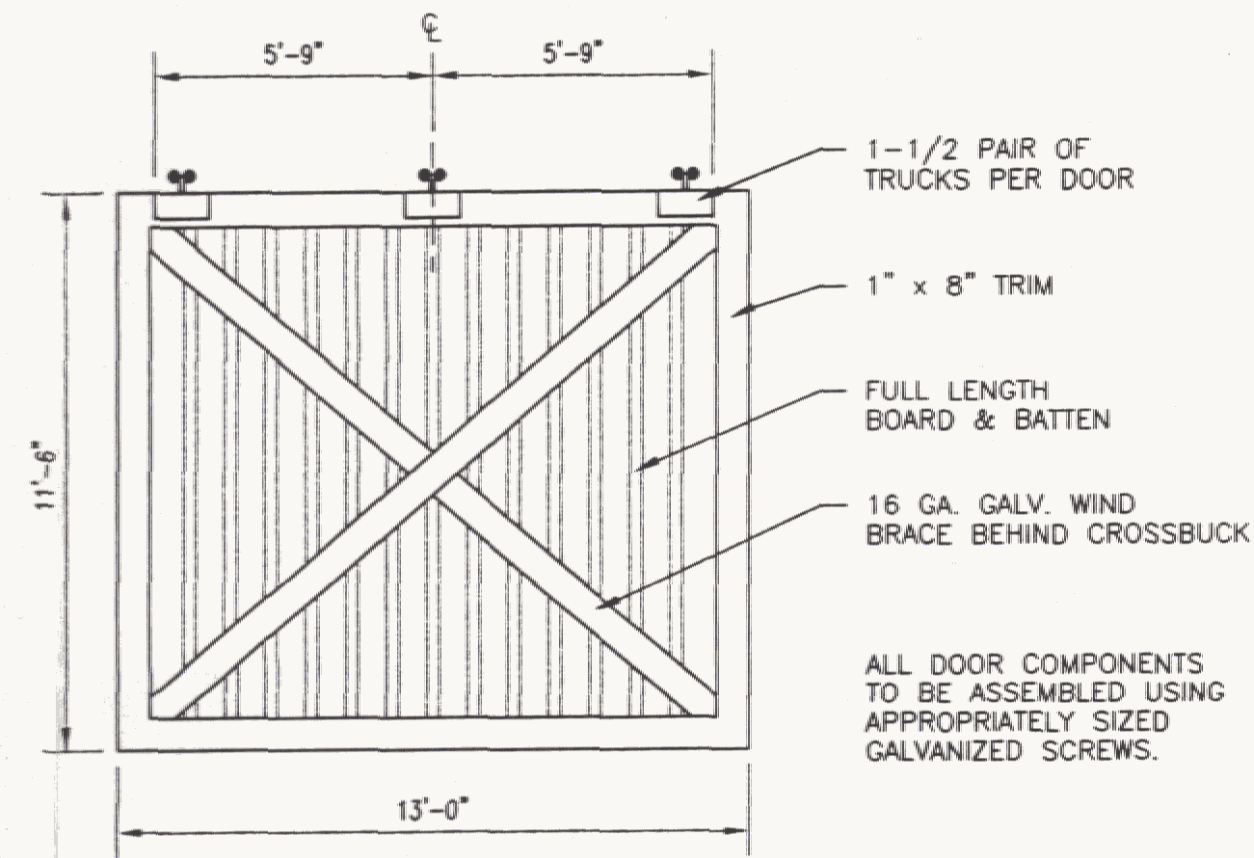
SHED PLAN

1/4" = 1'-0"



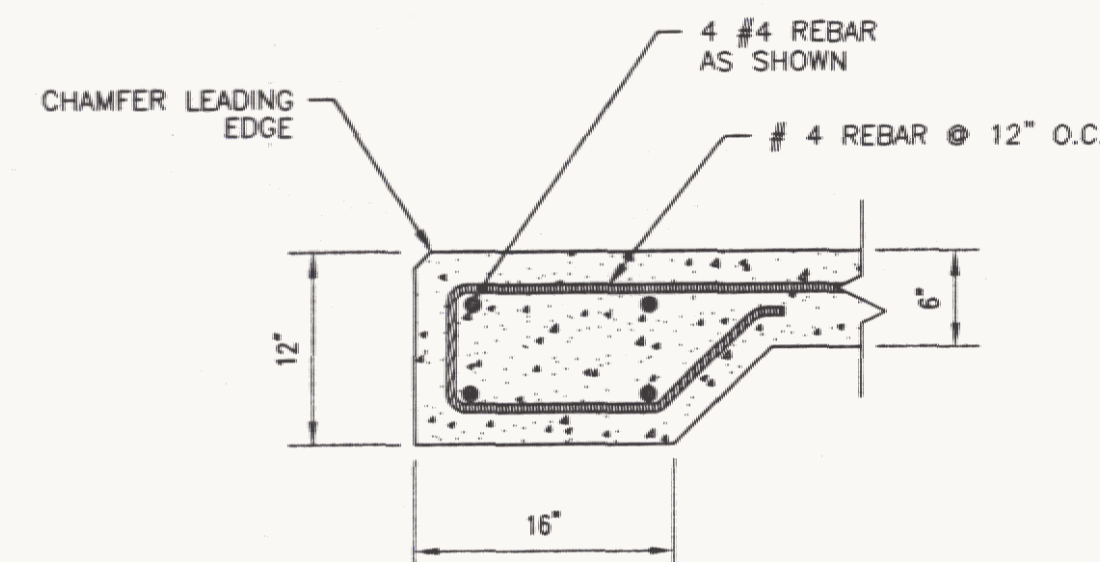
POST BASE

N.T.S.



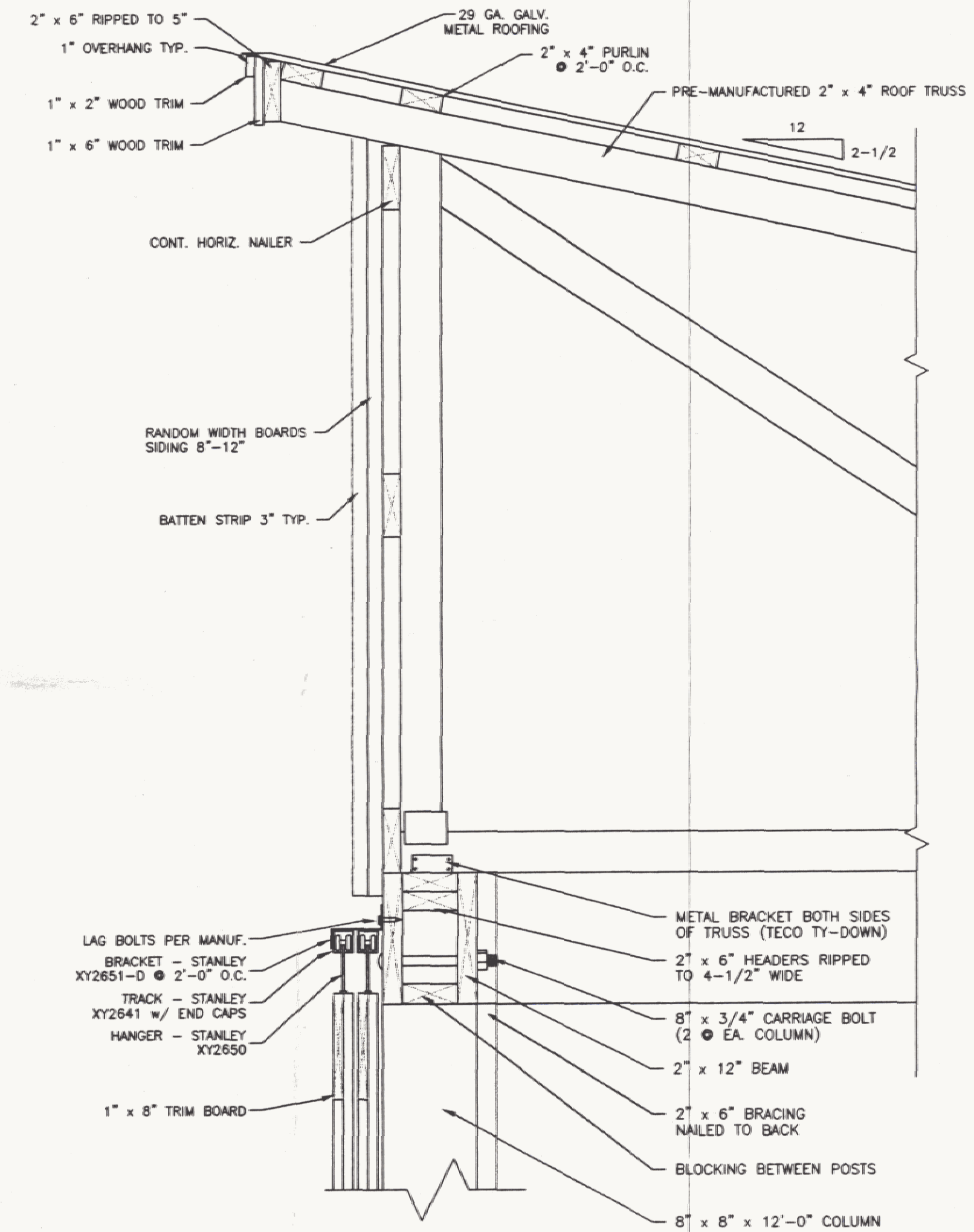
DOOR DETAIL

1/4" = 1'-0"



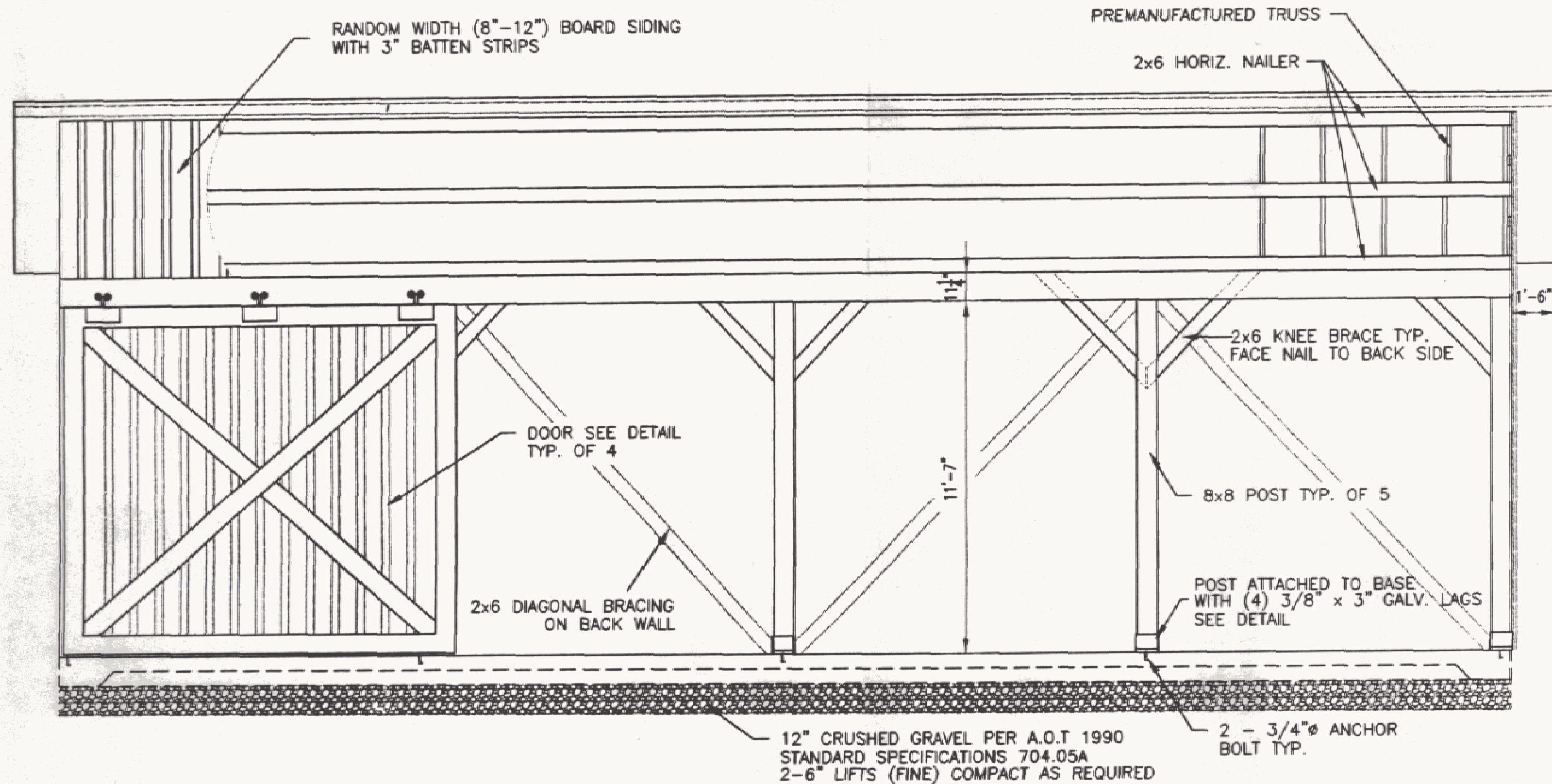
SLAB DETAIL

N.T.S.



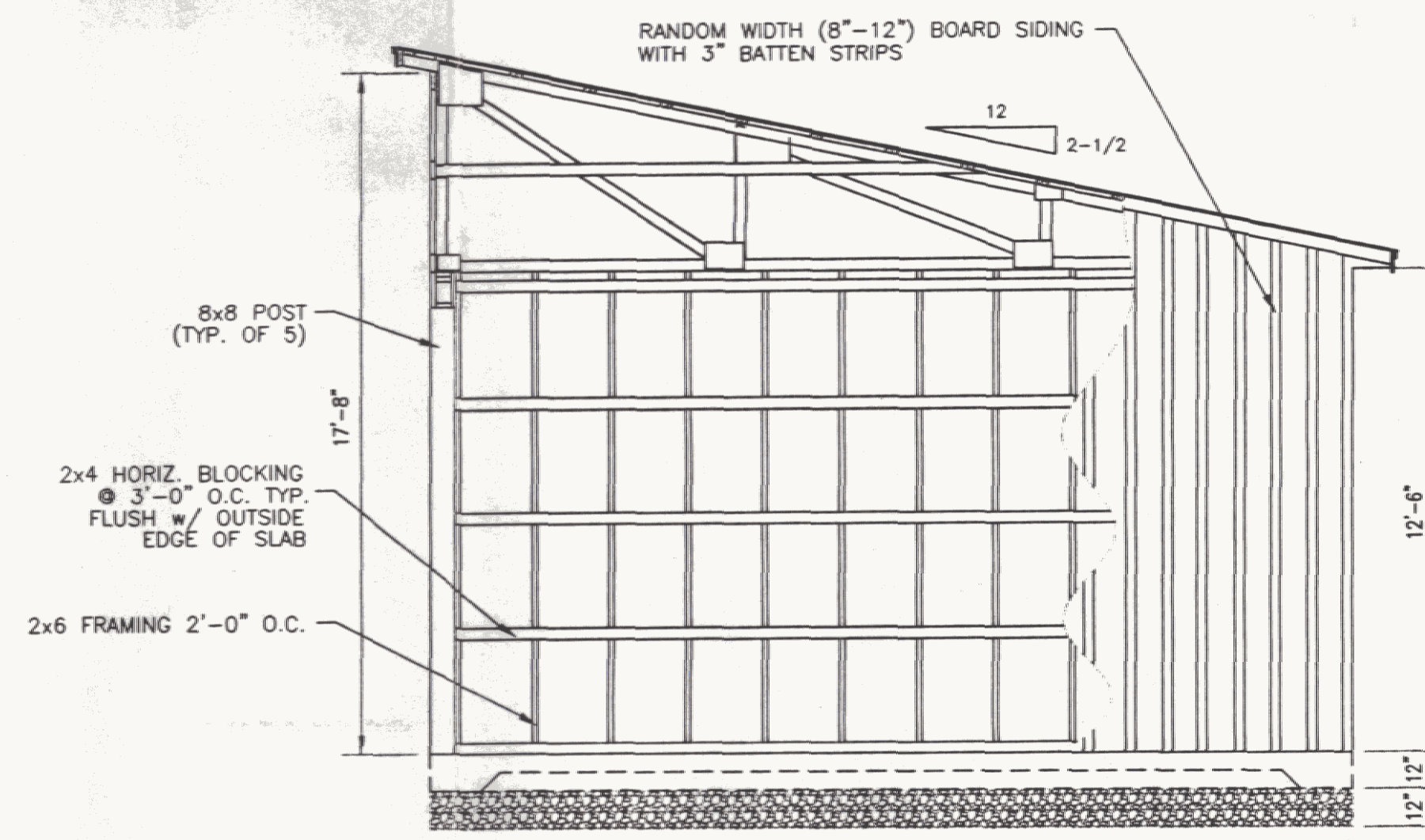
TRUSS DETAIL

N.T.S.



FRONT ELEVATION

1/4" = 1'-0"



SIDE ELEVATION

1/4" = 1'-0"

NOTES

TRUSS NOTES:

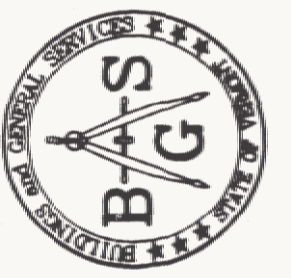
- TRUSS MANUFACTURER TO PROVIDE DEPT. OF STATE BUILDINGS ENGINEER A SET OF ENGINEERED & STAMPED DRAWINGS FOR APPROVAL PRIOR TO TRUSS MANUFACTURE.
- TRUSS MANUFACTURER TO PROVIDE THE CONTRACTOR WITH ALL NECESSARY INSTRUCTIONS FOR PROPER TRUSS INSTALLATION, ANCHORAGE, BRACING, LIFTING, ETC.
- TRUSS DESIGN LOADS IN ACCORDANCE WITH THE 1987 B.O.C.A. FOR VERMONT.
- MINIMUM LOADS:
 - LIVE - PER 1987 BOCA FOR VT. (50 PSF MIN.)
 - DEAD - AS CALCULATED FROM TRUSS & ROOF MATERIALS
 - WIND - 25 PSF
 - DIAGONAL WIND BRACING PER TRUSS MANUFACTURER.

LUMBER NOTES:

- FRAMING MEMBERS TO BE KILN DRIED CONSTRUCTION GRADE SPRUCE S4S 19% MOISTURE CONTENT.
- PLATES & NAILERS IN CONTACT WITH CONCRETE TO BE CCA .40 TREATED.
- BOARDS & BATTEN SIDING TO BE NATIVE ROUGH SAWN WHITE PINE. BOARDS TO BE RANDOM WIDTH 8"-12" - BATTEN WIDTH 3".
- BOARD SIDING AND BATTEN STRIPS TO BE FULL LENGTH (NO HORIZONTAL JOINTS).
- ALL NAILS TO BE GALVANIZED.

FINISH NOTES:

- ALL BOARDS & BATTENS TO BE STAINED WITH ONE COAT (ALL SURFACES) PRIOR TO INSTALLATION.
- AFTER INSTALLATION EXTERIOR SIDING TO RECEIVE ONE ADDITIONAL COAT OF STAIN.
- STAIN TO BE OLYMPIC OIL BASE SEMI-TRANSPARENT OXFORD BROWN # 713.



STATE OF VERMONT
Department of Buildings
and General Services
Agency of Administration
Montpelier, Vermont



A.O.T.
24' x 48' STORAGE BUILDING
PLANS & DETAILS
VERMONT
LUDLOW

REVISIONS

SCALE: AS NOTED
DATE: APR 1998
DRAWN BY: G. D. NORWOOD
APPR. BY: W. J. Miller

LUDLOW
24' x 48'
STORAGE

PLANS

A-1

1 OF 1