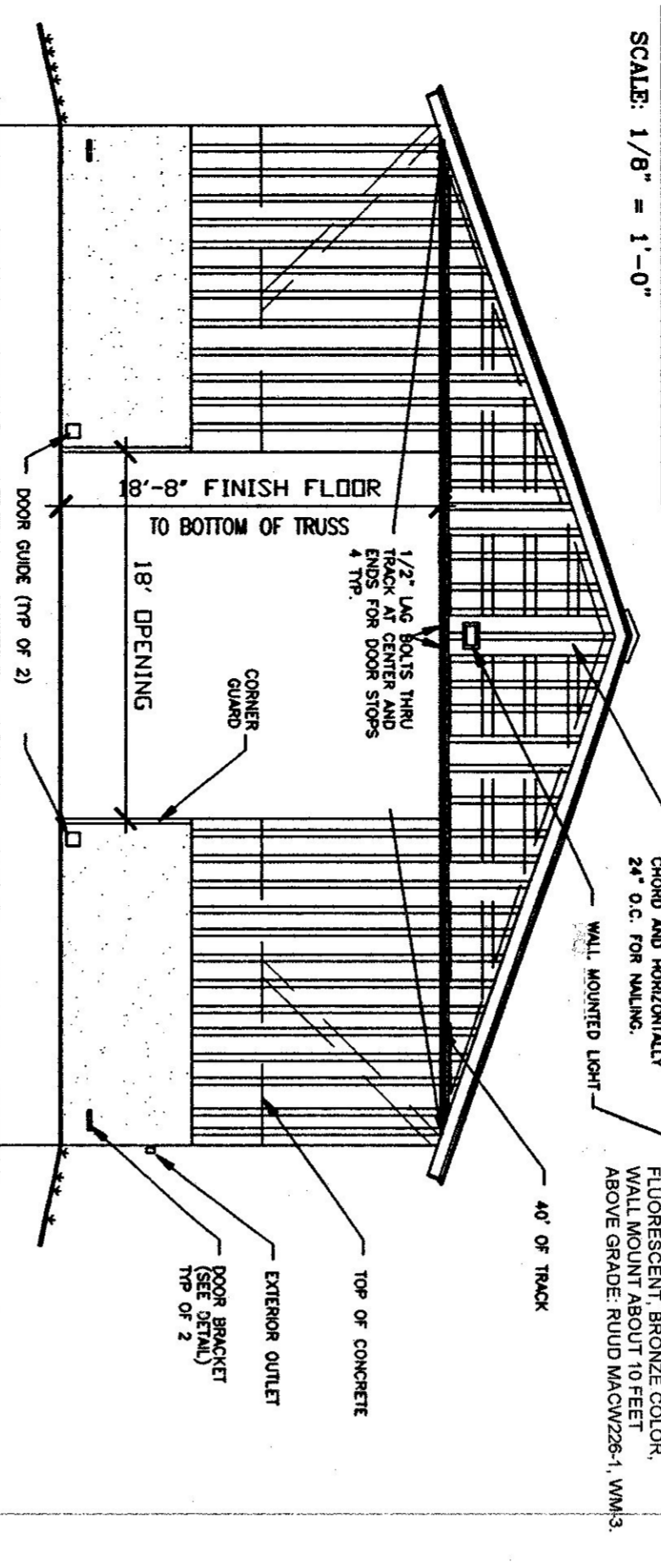
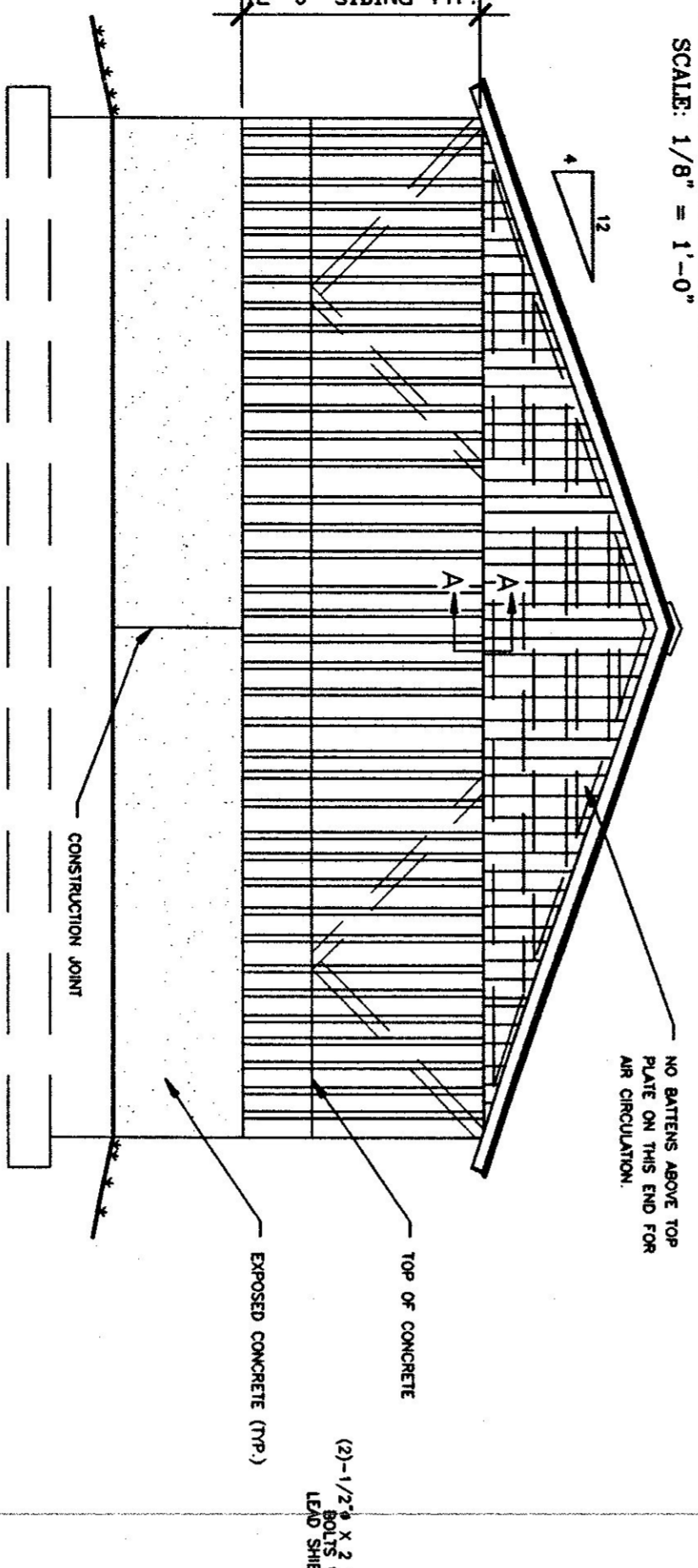


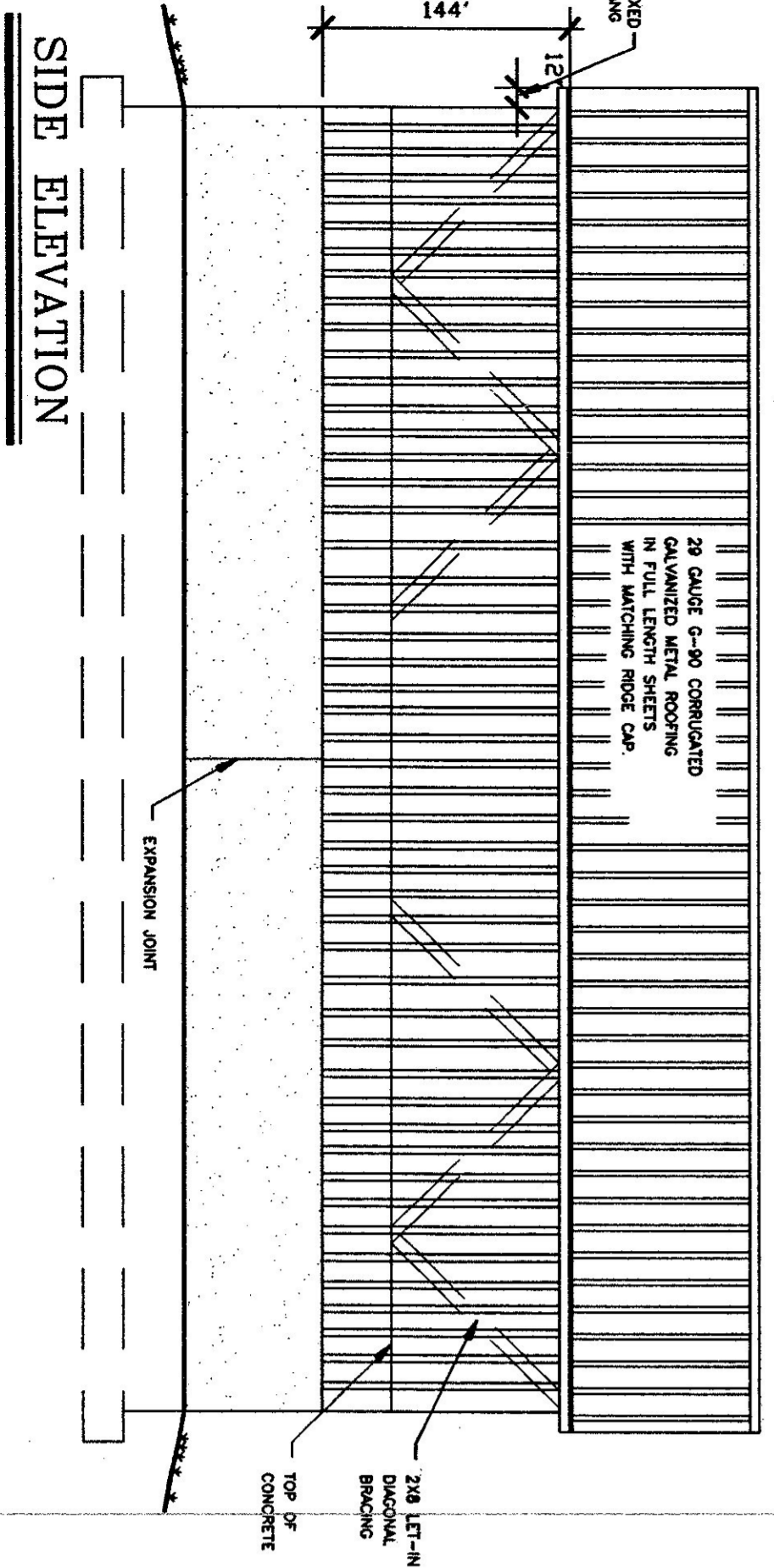
FOUNDATION PLAN
SCALE: 1/8" = 1'-0"



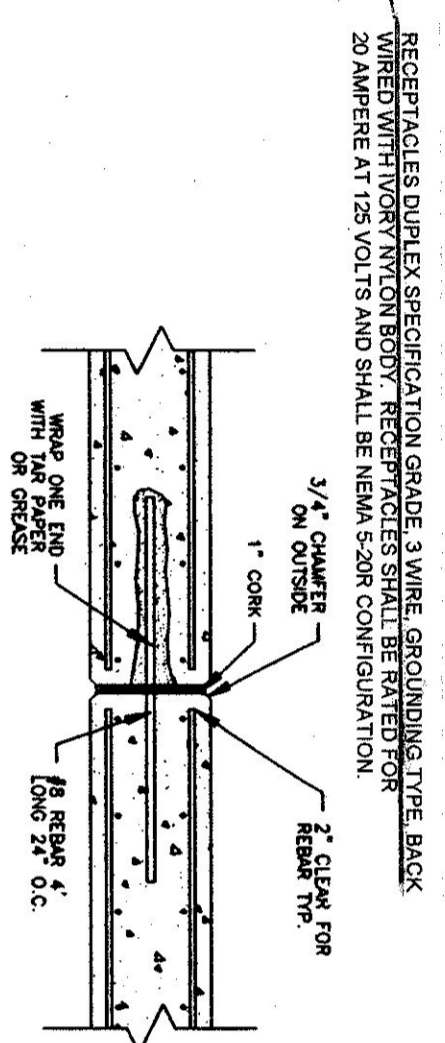
FRONT ELEVATION
SCALE: 1/8" = 1'-0"



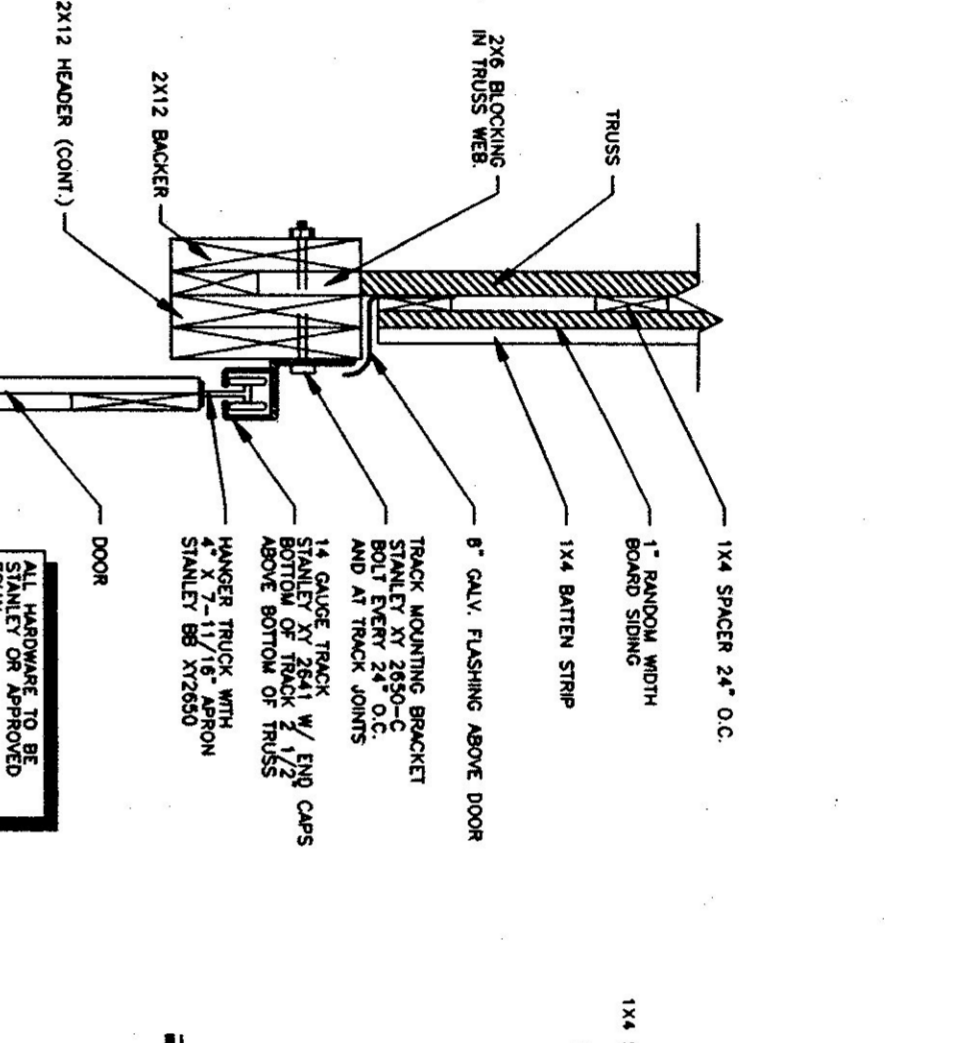
BACK ELEVATION
SCALE: 1/8" = 1'-0"



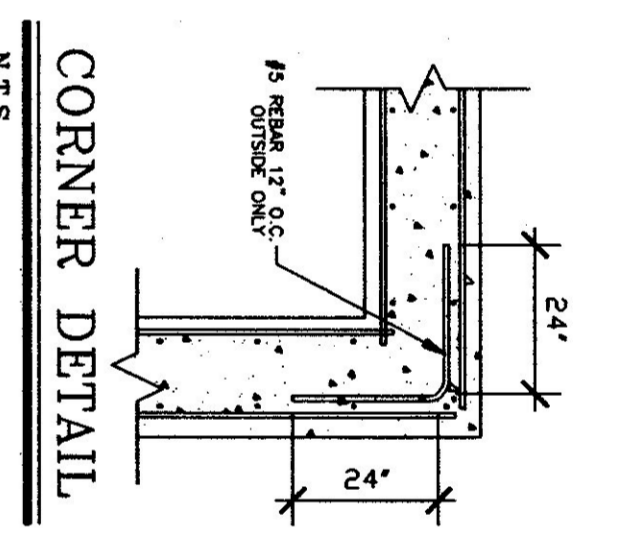
SIDE ELEVATION
SCALE: 1/8" = 1'-0"



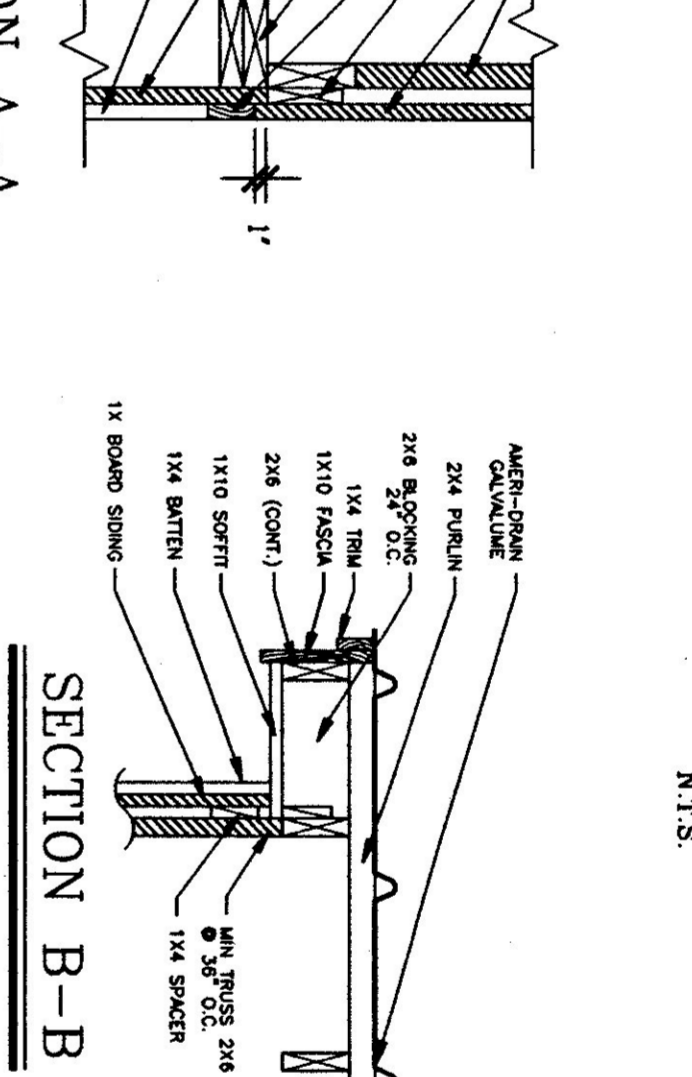
EXPANSION JOINT DETAIL
N.T.S.



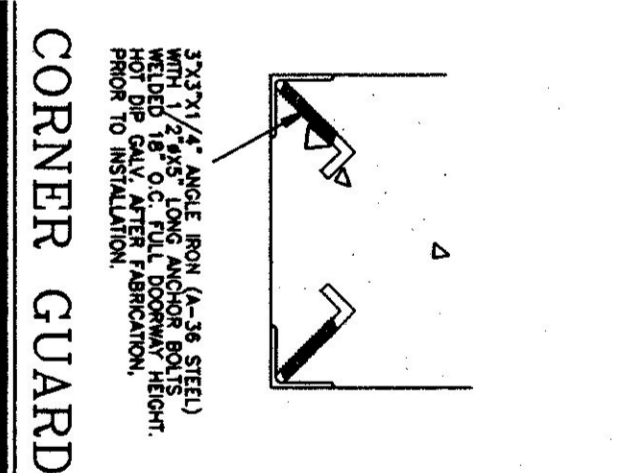
SECTION A-A
N.T.S.



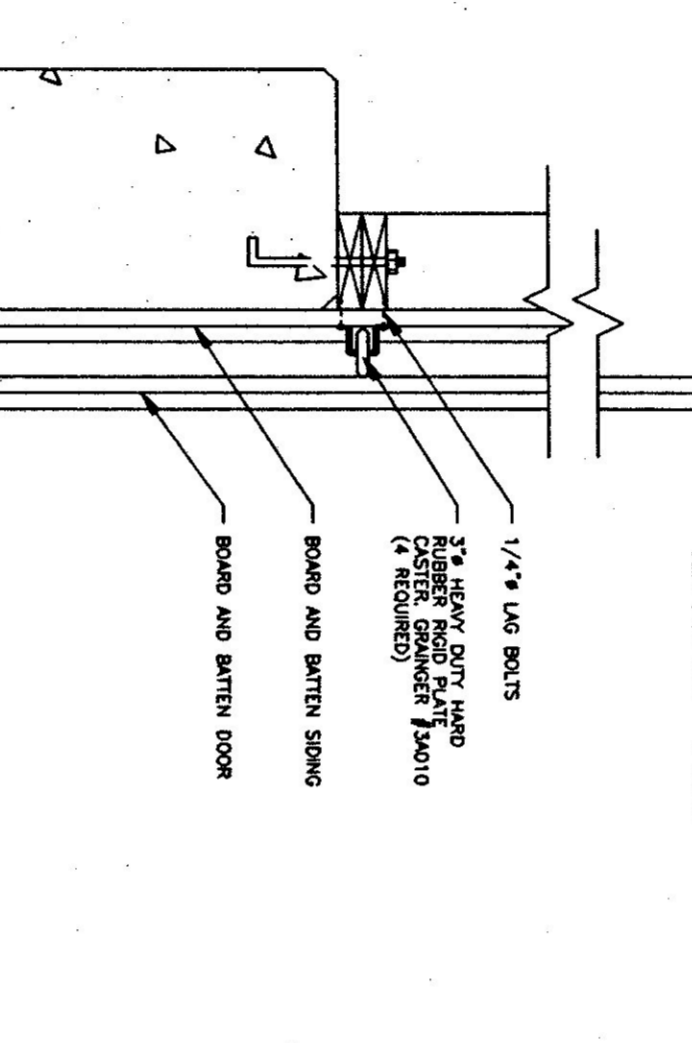
CORNER DETAIL
N.T.S.



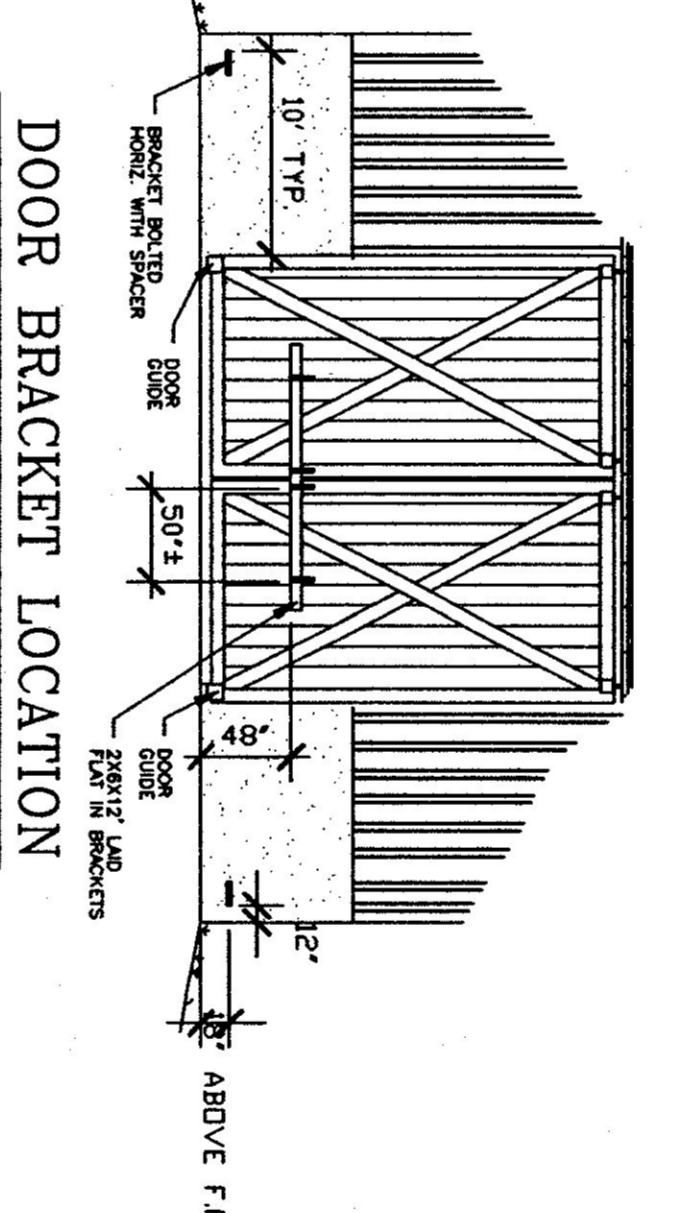
SECTION B-B
N.T.S.



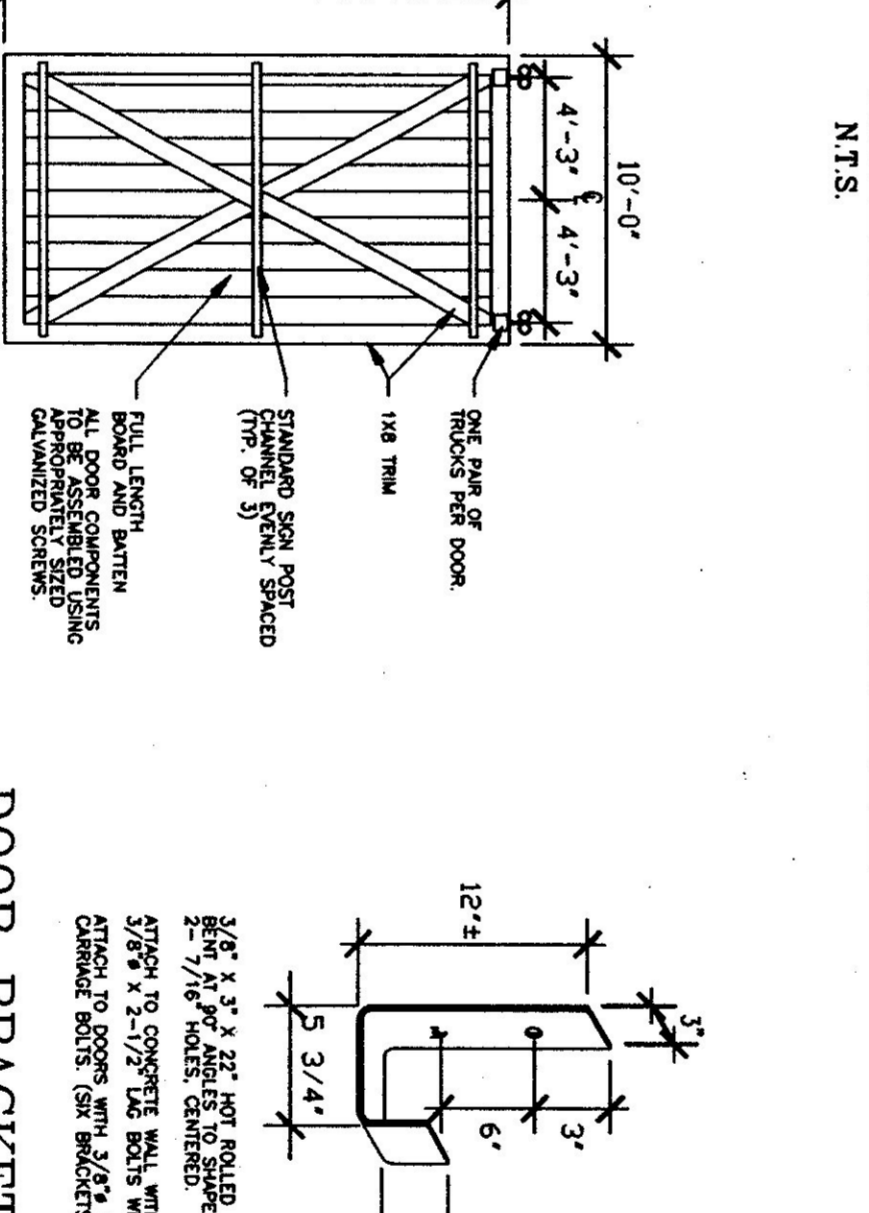
CORNER GUARD
N.T.S.



DOOR TRACK & GUIDE DETAIL
N.T.S.



DOOR BRACKET LOCATION
N.T.S.



DOOR BRACKET DETAIL
N.T.S.

EXT. DOOR DETAIL
N.T.S.

GENERAL NOTES:

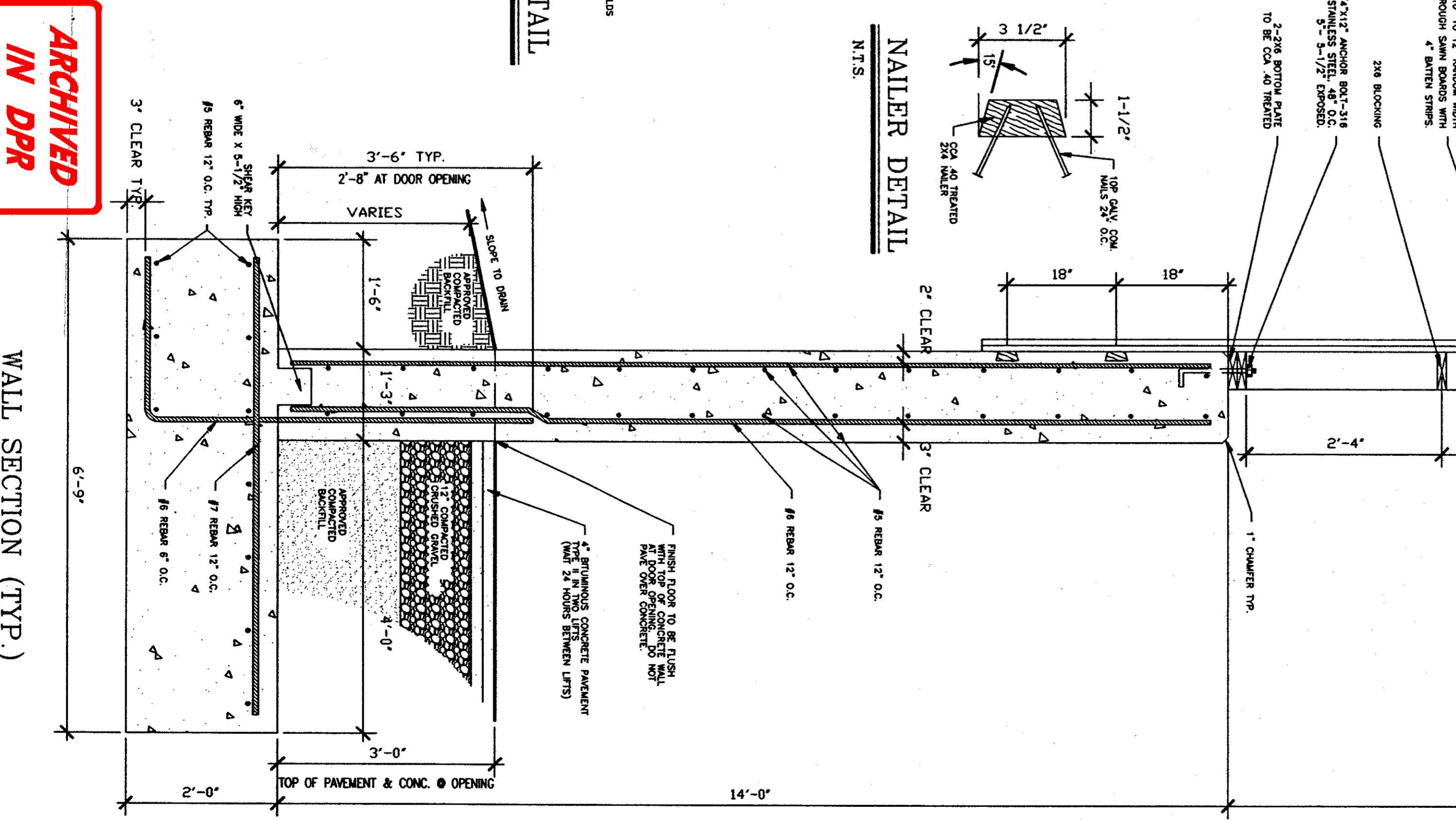
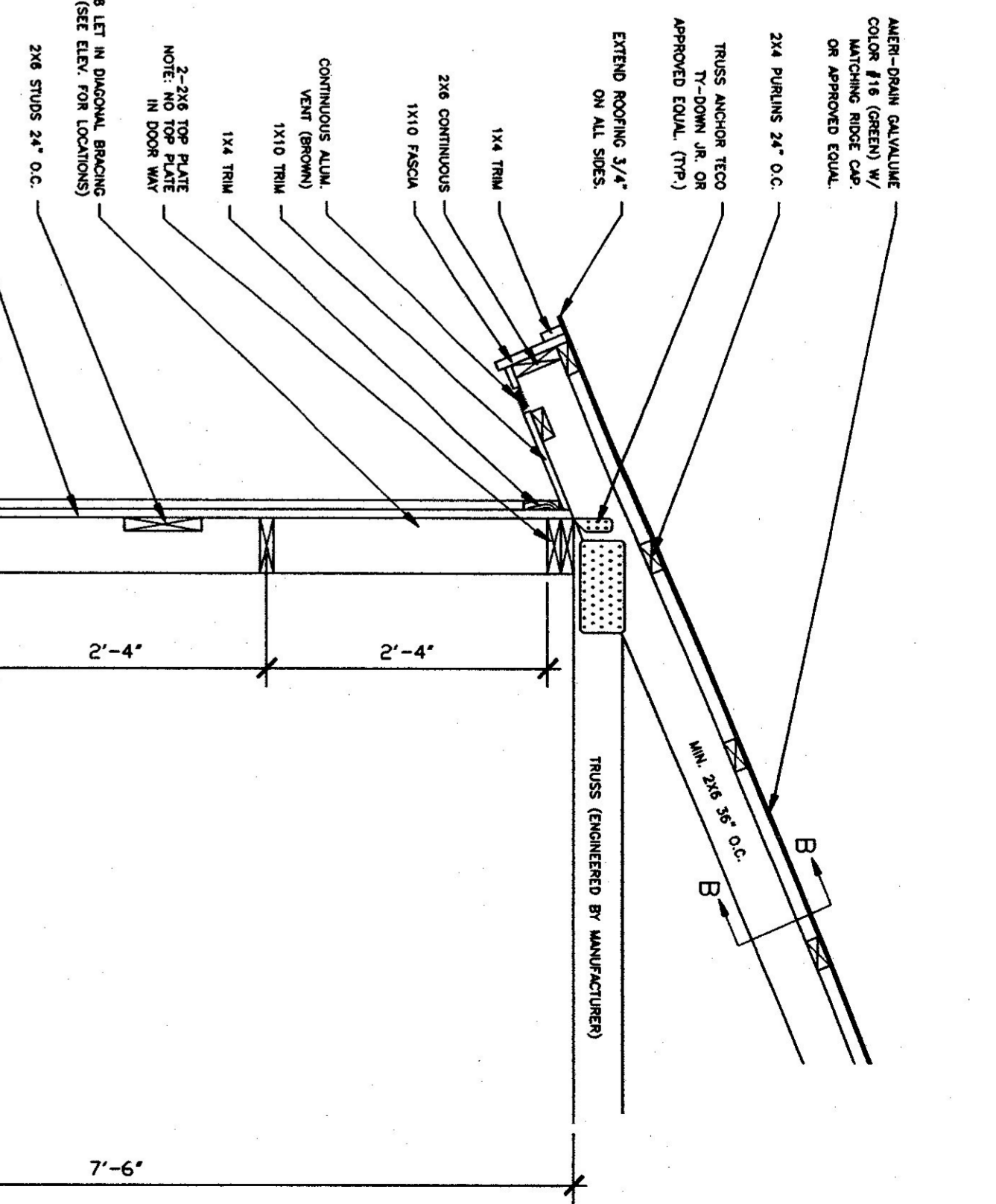
- ALL REBAR SHALL BE 3000 PSI 28 DAYS WITH A MINIMUM SLUMP OF 4".
- 68-85 AIR ENTRAINMENT.
- 1/2" V JOINTS IN EXPOSED FACE OF CONSTRUCTION JOINTS.
- 3/4" CHAMFER ON BOTH FACE OF EXPANSION JOINTS.
- ANGLE IRON CAST INTO WALL CORNERS AT DOOR OPENINGS.
- RE-BAR TO BE CONTINUOUS THROUGH CONSTRUCTION JOINTS.
- NO HORIZONTAL CONSTRUCTION JOINTS IN WALLS - CONTINUOUS POUR.
- NO CONSTRUCTION OR EXPANSION JOINTS REQUIRED IN FLOORS.
- CONTRACTOR TO LEAVE NO METAL WITHIN 1" OF SURFACE. USE "KEEP PLASTIC COVER IN ALL VES AND PLUG ALL THE HOLES WITH AN APPROVED NON-SHINK GROUT."
- RE-BAR TO BE STORED ON BLOCKING 4" MIN. ABOVE GROUND.
- RE-BAR TO BE CALCULATED FROM TRUSS AND ROOF MEMBERS AND IN ADDITION WIND - 25 P.S.F. ON BOTTOM CHORD.
- ALL CONCRETE TESTING TO BE DONE BY OWNER.
- ALL RESPONSIBLE FOR SCHEDULING.
- EXPOSED WALLS TO BE DRESS FINISHED PER A.O.T. SPECIFICATIONS.

TRUSS NOTES:

- TRUSS MANUFACTURED TO PROVIDE THE DEPT. OF STATE BUILDING ENGINEER THESE MANUFACTURER TO PROVIDE THE CONTRACTOR WITH ALL THE NECESSARY TRUSS MANUFACTURER FOR PROPER TRUSS INSTALLATION ANCHORAGE BRACING LIFTING, ETC.
- TRUSS DESIGN IN ACCORDANCE WITH THE 1987 B.O.C.A. FOR VERMONT MINIMUM LOADS:
- LIK - 50 P.S.F. - PER 1987 B.O.C.A. FOR VERMONT.
- ROOF - AS CALCULATED FROM TRUSS AND ROOF MEMBERS AND IN ADDITION WIND - 25 P.S.F. ON BOTTOM CHORD.
- DIAGONAL BRACING PER TRUSS MANUFACTURER AND PER MINIMUM TRUSS BRACING DETAILS IN SPECIFICATIONS.

CONCRETE NOTES:

- ALL CONCRETE TO BE 3000 PSI 28 DAYS WITH A MINIMUM SLUMP OF 4".
- 68-85 AIR ENTRAINMENT.
- 1/2" V JOINTS IN EXPOSED FACE OF CONSTRUCTION JOINTS.
- 3/4" CHAMFER ON BOTH FACE OF EXPANSION JOINTS.
- ANGLE IRON CAST INTO WALL CORNERS AT DOOR OPENINGS.
- RE-BAR TO BE CONTINUOUS THROUGH CONSTRUCTION JOINTS.
- NO HORIZONTAL CONSTRUCTION JOINTS IN WALLS - CONTINUOUS POUR.
- NO CONSTRUCTION OR EXPANSION JOINTS REQUIRED IN FLOORS.
- CONTRACTOR TO LEAVE NO METAL WITHIN 1" OF SURFACE. USE "KEEP PLASTIC COVER IN ALL VES AND PLUG ALL THE HOLES WITH AN APPROVED NON-SHINK GROUT."
- RE-BAR TO BE STORED ON BLOCKING 4" MIN. ABOVE GROUND.
- RE-BAR TO BE CALCULATED FROM TRUSS AND ROOF MEMBERS AND IN ADDITION WIND - 25 P.S.F. ON BOTTOM CHORD.
- ALL CONCRETE TESTING TO BE DONE BY OWNER.
- ALL RESPONSIBLE FOR SCHEDULING.
- EXPOSED WALLS TO BE DRESS FINISHED PER A.O.T. SPECIFICATIONS.



WALL SECTION (TYP.)
SCALE: 3/4" = 1'-0"

**ARCHIVED
IN DPR**

AUG 13 1996

A-2
5 OF 6

SCALE: AS NOTED	REVISIONS
DATE: JAN 1997	12-29-97 GDN.
DRAWN BY: G. D. NORWOOD	7-8-98 GDN.
APPR. BY:	

CANAAN
50' X 64'
SAND-SALT
SHED

LOCATION & BUILDING
50 X 64 SALT SHED
CANAAN
VERMONT

STATE OF VERMONT
DEPARTMENT OF BUILDINGS
AND GENERAL SERVICES
AGENCY OF ADMINISTRATION
MONTPELIER, VERMONT