

ELECTRICAL PLAN  
SCALE 1/8" = 1'-0"

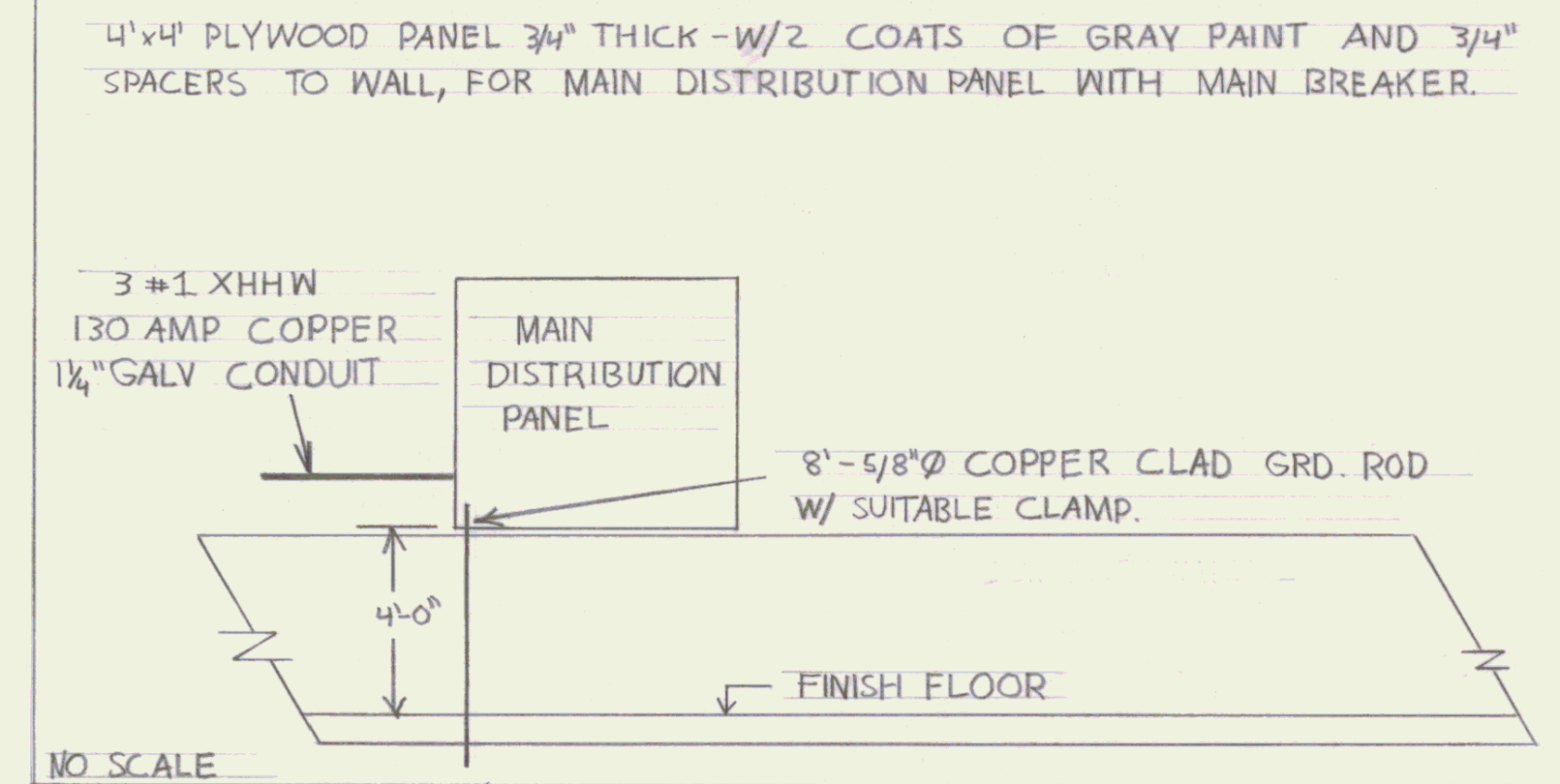
PANEL SCHEDULE				
CIRCUIT BREAKER TYPE NQOB SQD 120/240V 1Ø 3W 100AMP				
MAIN 10,000 JCR BRKS 20 POLE				
CIRC.	AMP	POLE	EQUIPMENT SERVED	REMARKS
P-1	20	1	LIGHTING	LEFT HALF OF BLDG., CEILING MOUNTED, W/END CAPS.
P-2	20	1	LIGHTING	RIGHT HALF OF BLDG., CEILING MOUNTED, W/END CAPS.
P-3	20	1	RECEPTACLES	LEFT SIDE OF BLDG. 6 LOCATIONS.
P-4	20	1	RECEPTACLES	BACK & RIGHT SIDE OF BLDG. 4 LOCATIONS.
P-5	20	1	RECEPTACLES	RIGHT SIDE OF BLDG. 4 LOCATIONS.
P-6	20	1	RECEPTACLE	FURNACE, BACK OF BLDG.
P-7	20	1	RECEPTACLES	CEILING MOUNTED ENVIRO FANS. 2 LOCATIONS ON 3' SHAFTS.
P-8	20	1	SPARE	
P-9	20	1	SPARE	

GENERAL NOTES

1. ALL BRANCH CIRCUIT RUNS SURFACE MOUNTED IN EMT MINIMUM 4" ABOVE FLOOR WITH SUITABLE BOXES & COVERS.
2. ALL OUTLETS AND SWITCHES AT ALL LOCATIONS SHALL BE AT LEAST 48" OFF THE FINISH FLOOR.
3. ALL WIRING TO MOVING OR VIBRATING EQUIPMENT TO BE IN GREENFIELD CONDUIT.
4. INSTALL GROUND WIRE AND ROD #6 BARE COPPER.
5. SHOP LIGHTING MOUNTED ON STEMS 1" BELOW BOTTOM OF BEAMS.

ELECTRICAL SYMBOLES	
	SINGLE DUPLEX RECEPTACLE, 20AMP-125V CAT # 5362, HUBBELL.
	SINGLE DUPLEX RECEPTACLE, 20AMP-125V CAT # 5362, HUBBELL. CEILING MOUNTED.
	LOCATION OF ENVIRO FAN GOLD LINE # 160F-7 56" FAN WITH 30" DOWN ROD.
	THREE WAY SWITCH 20AMP 120-277V # 1223 HUBBELL.
	SHOP LIGHTING LITHONIA # PV-240, TWO F 40 LAMPS, 120V, SUPPLIED WITH 0°F STARTING BALLAST.
	BRANCH CIRCUIT, ALL RUNS IN 1/2" EMT WITH 600V #12 TYPE THW OR THHN COPPER CONDUCTORS.
	VARIABLE SPEED SOLID STATE CONTROL # 100F GOLD LINE, FOR ENVIRO FAN.

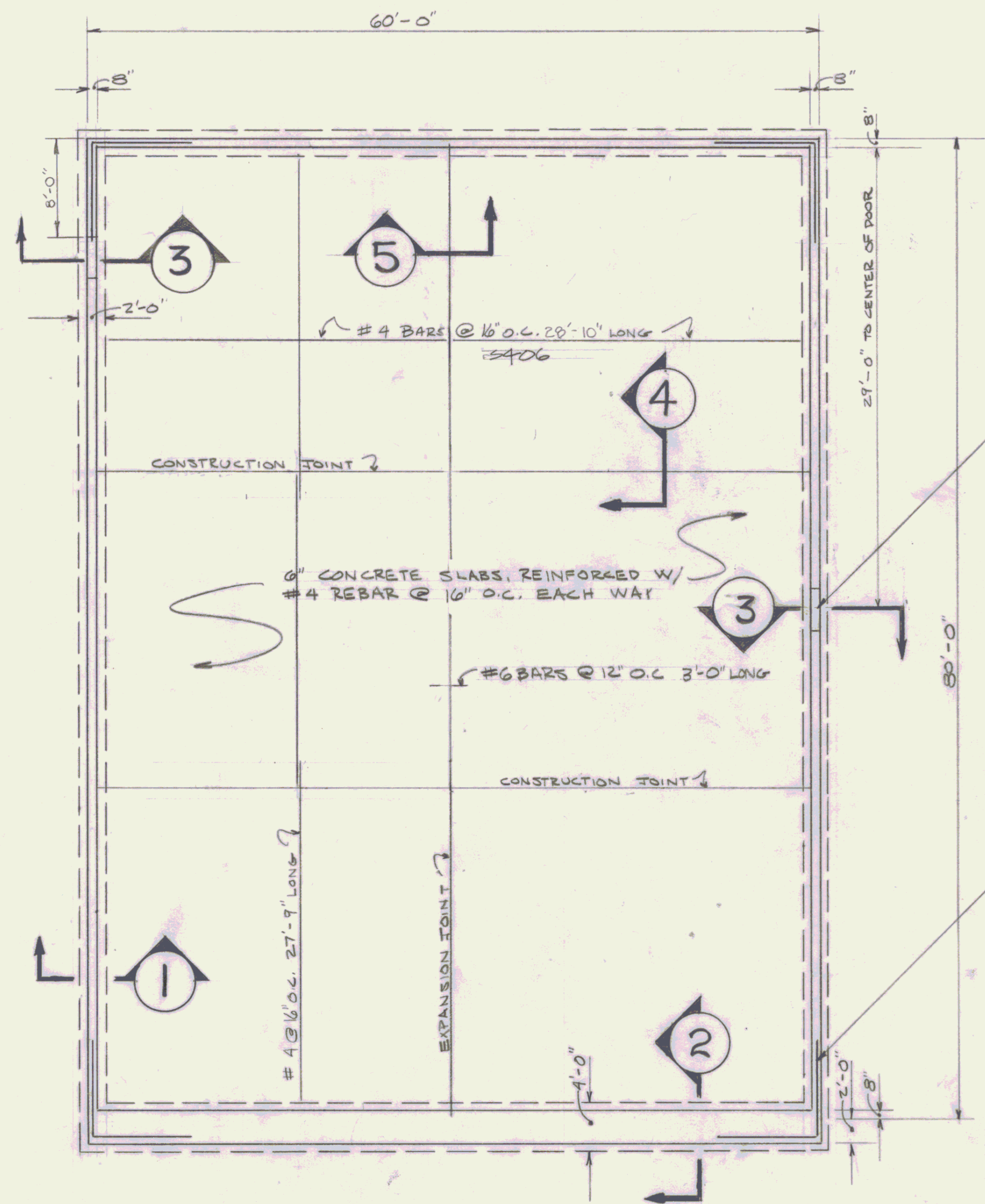
ELECTRICAL FEEDER DIAGRAM ELEVATION



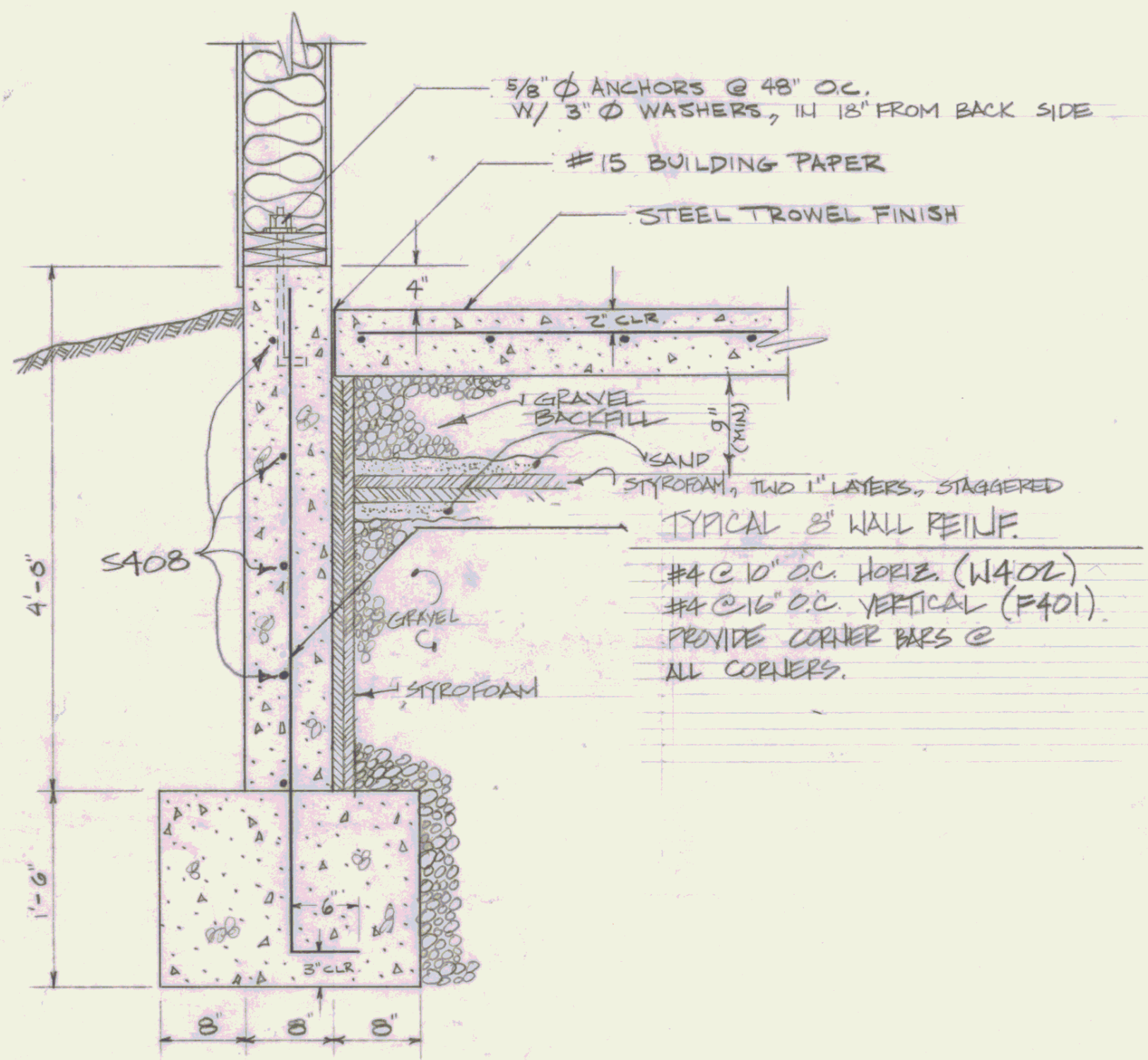
STATE OF VERMONT  
DIVISION OF STATE BUILDINGS  
AGENCY OF ADMINISTRATION  
MONTPELIER, VERMONT

60' x 80' HANGER  
ELECTRICAL PLAN

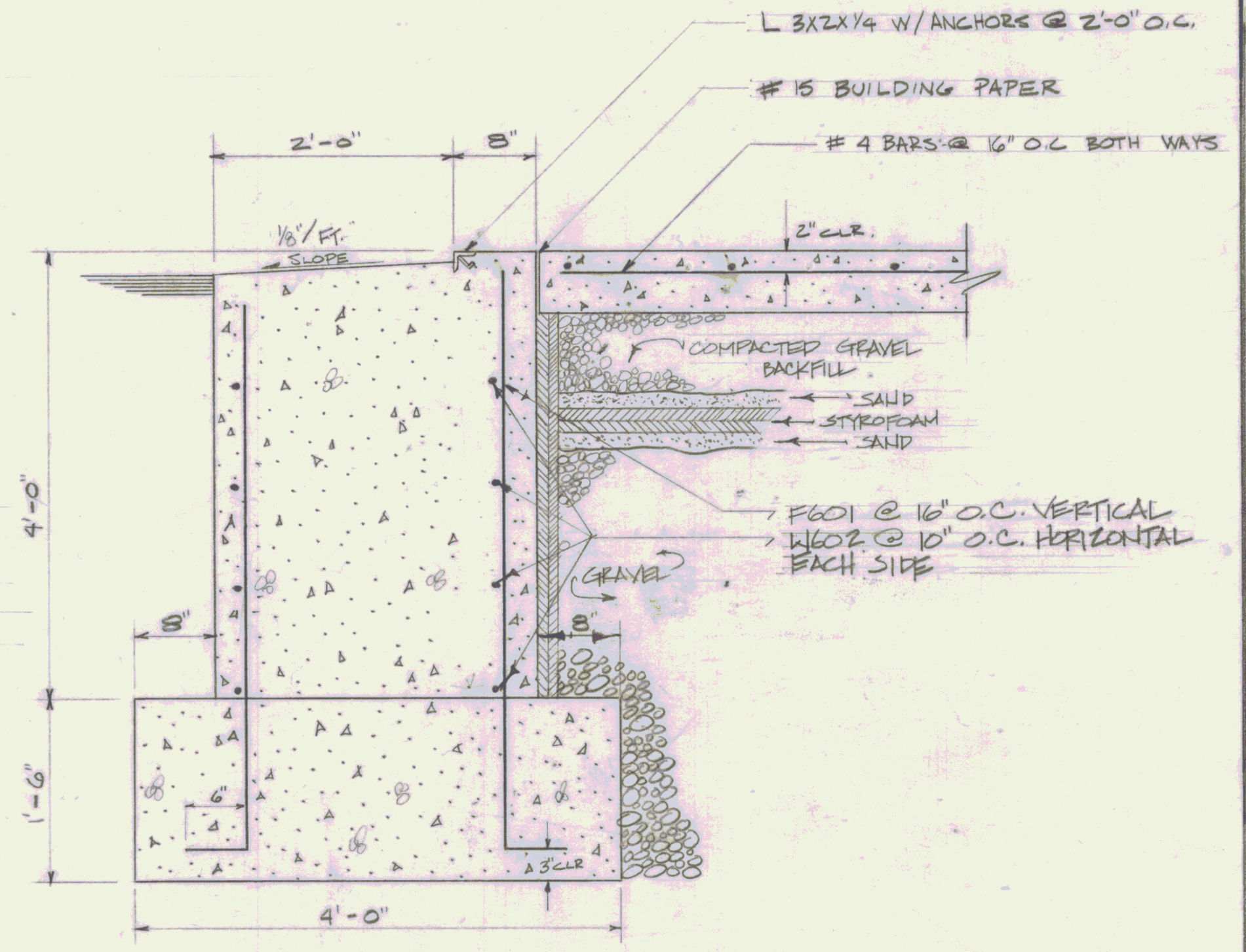
DATE: 10/4/83	DATE:	REVISIONS:	DWG. NO.
DRAWN BY: P.E.M.	APPROVED BY: P.P.		1E of 1E



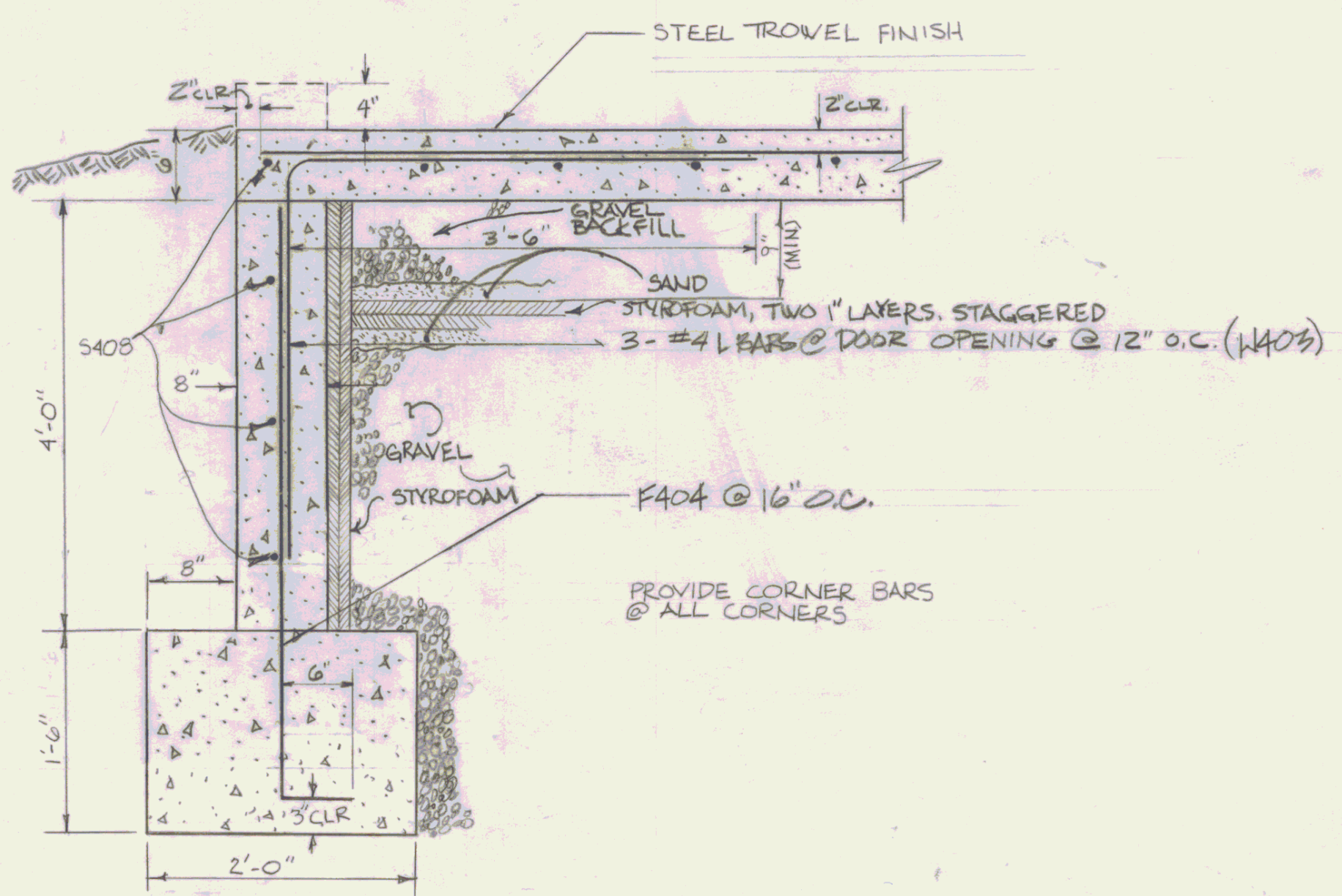
**FOUNDATION PLAN**  
SCALE: 1/8" = 1'-0"



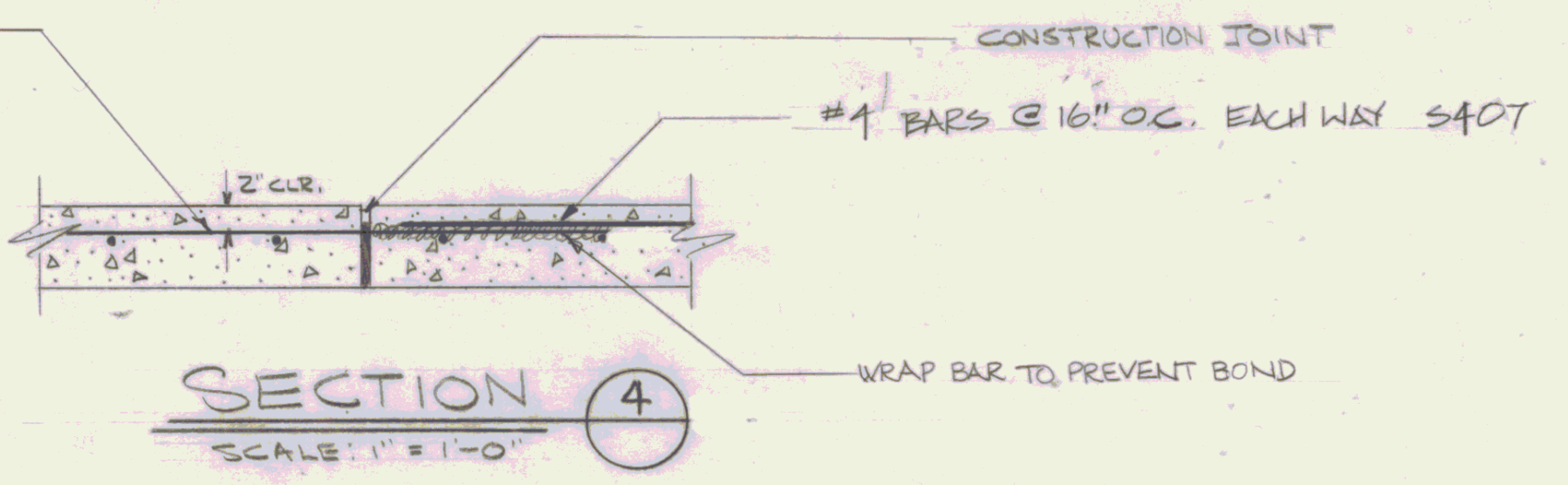
**SECTION 1**  
SCALE: 1" = 1'-0"



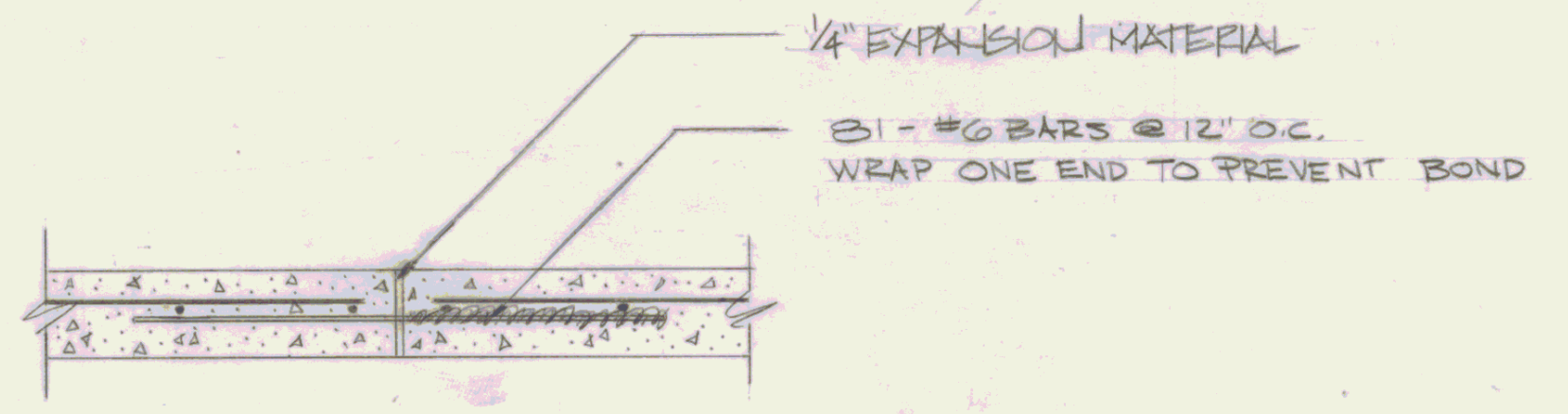
**SECTION 2**  
SCALE: 1" = 1'-0"



**SECTION 3**  
SCALE: 1" = 1'-0"



**SECTION 4**  
SCALE: 1" = 1'-0"



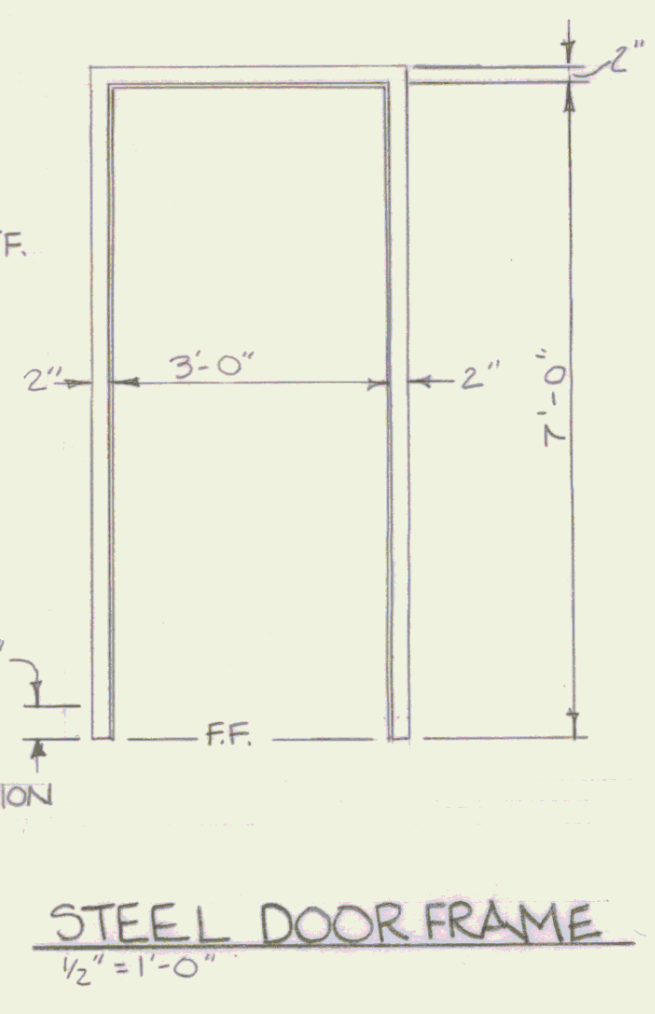
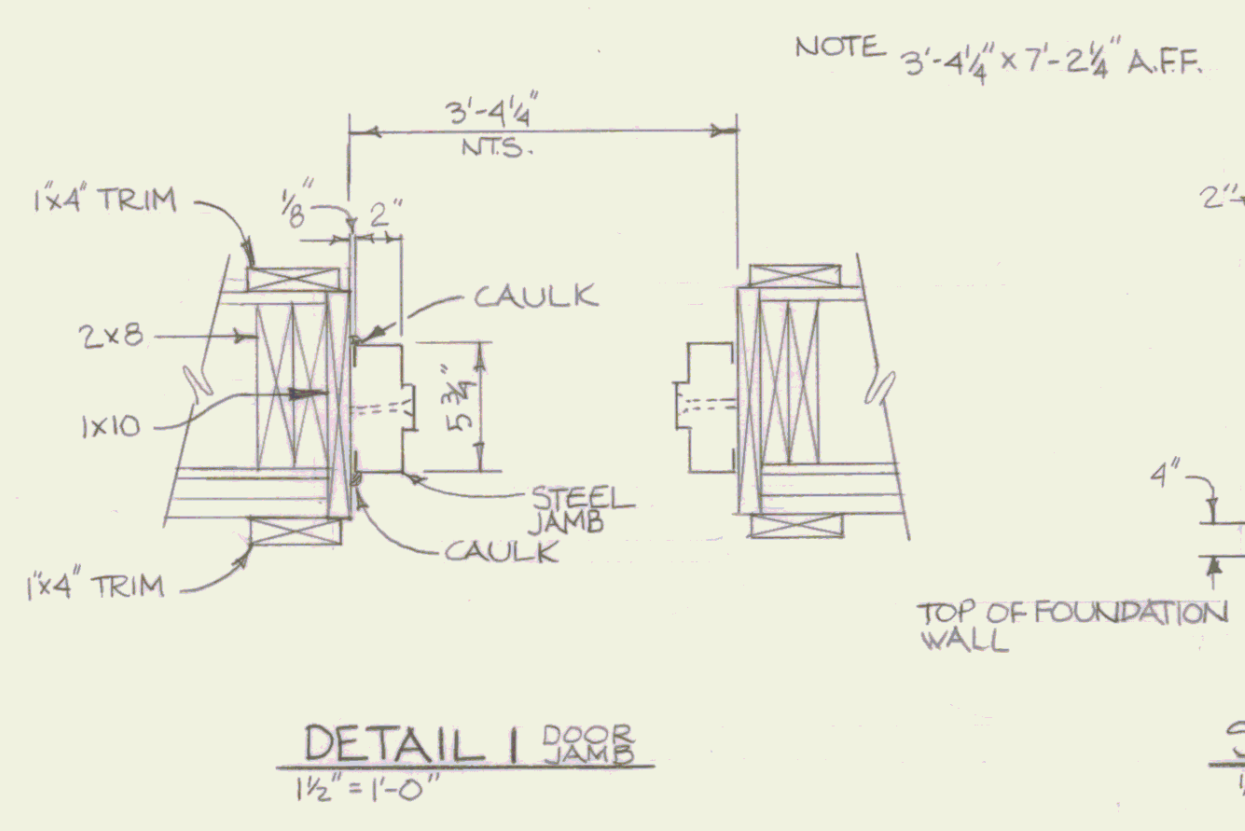
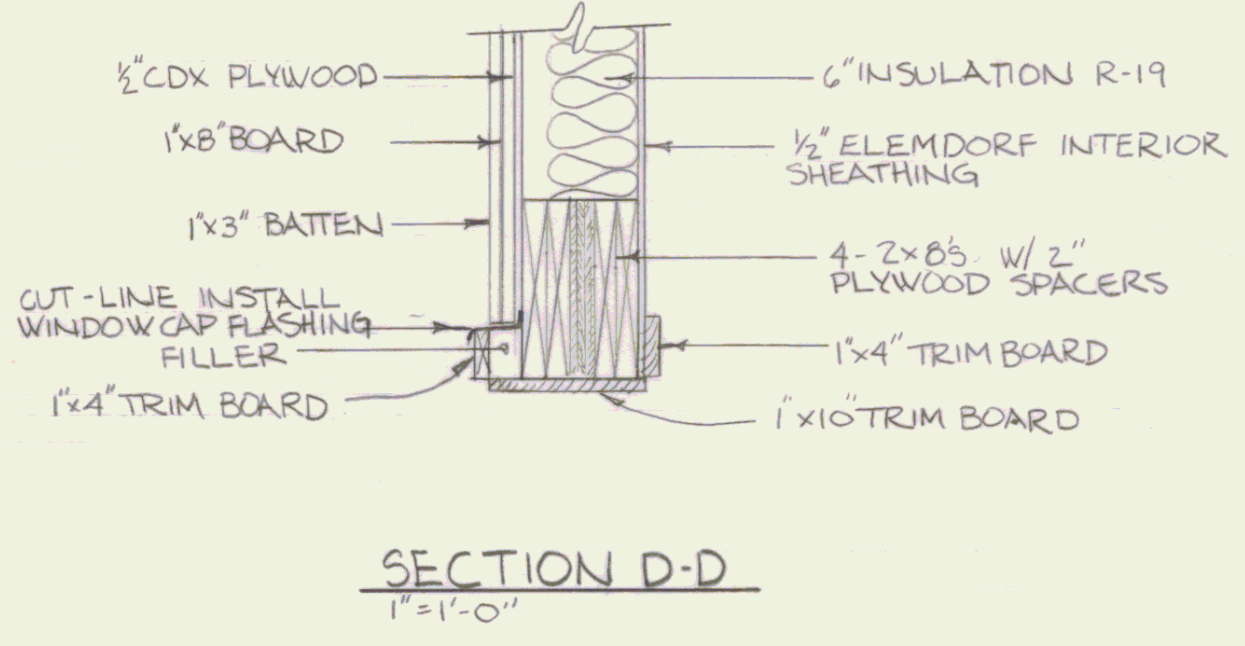
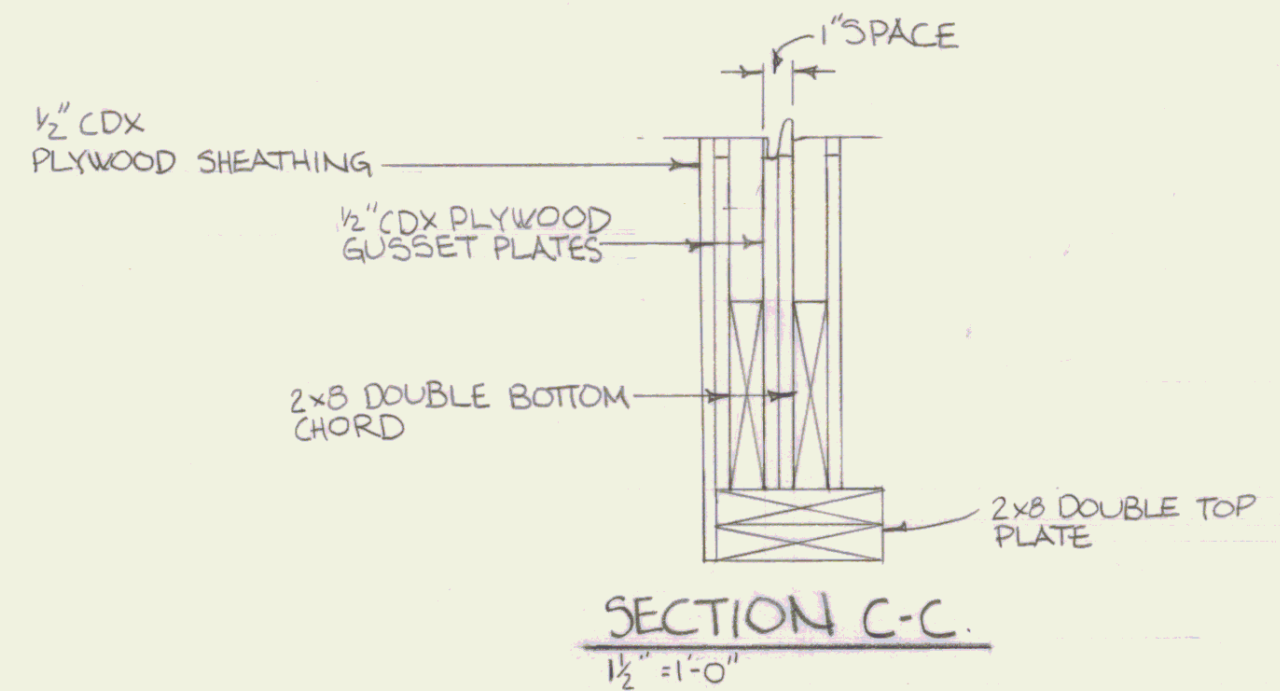
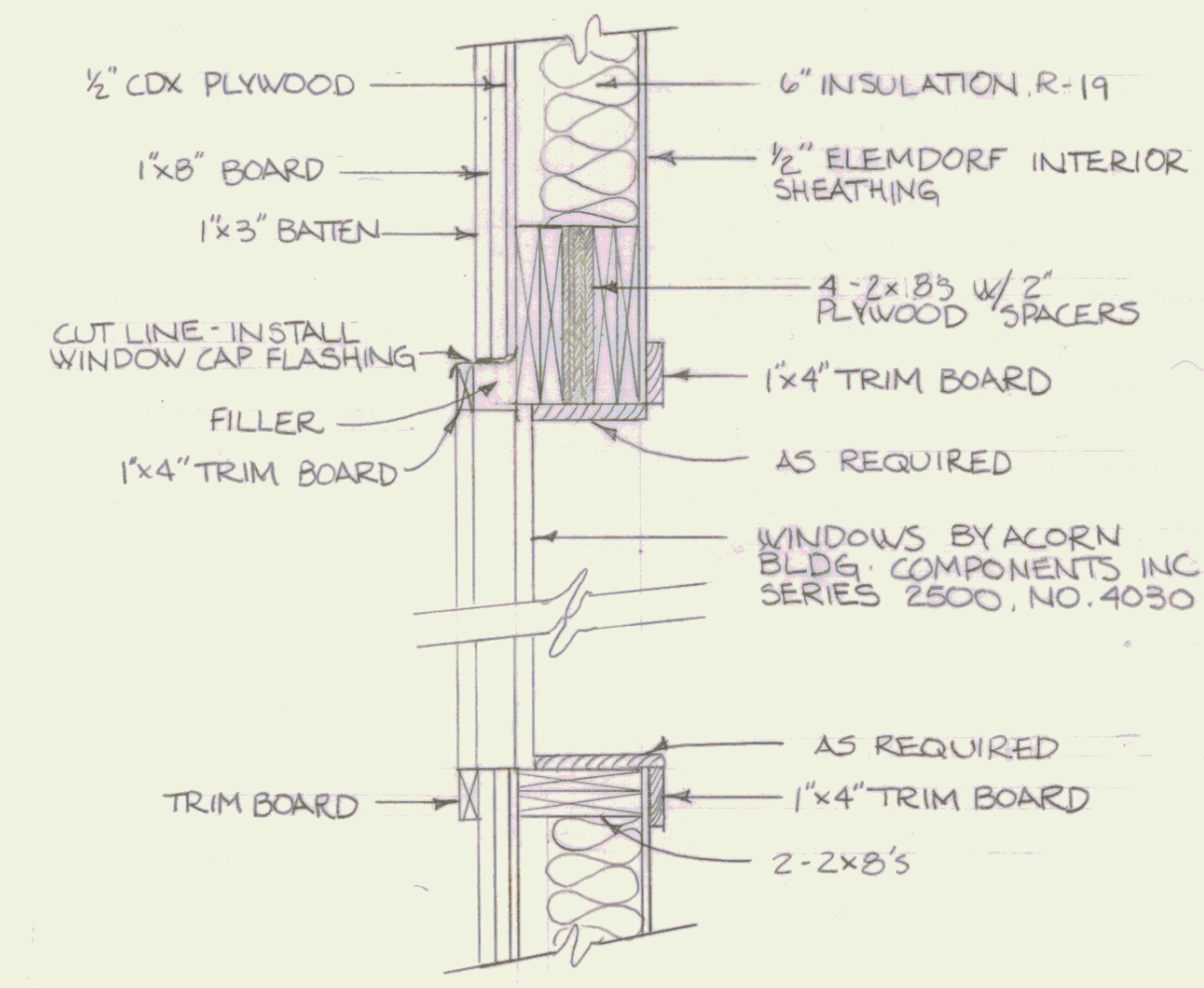
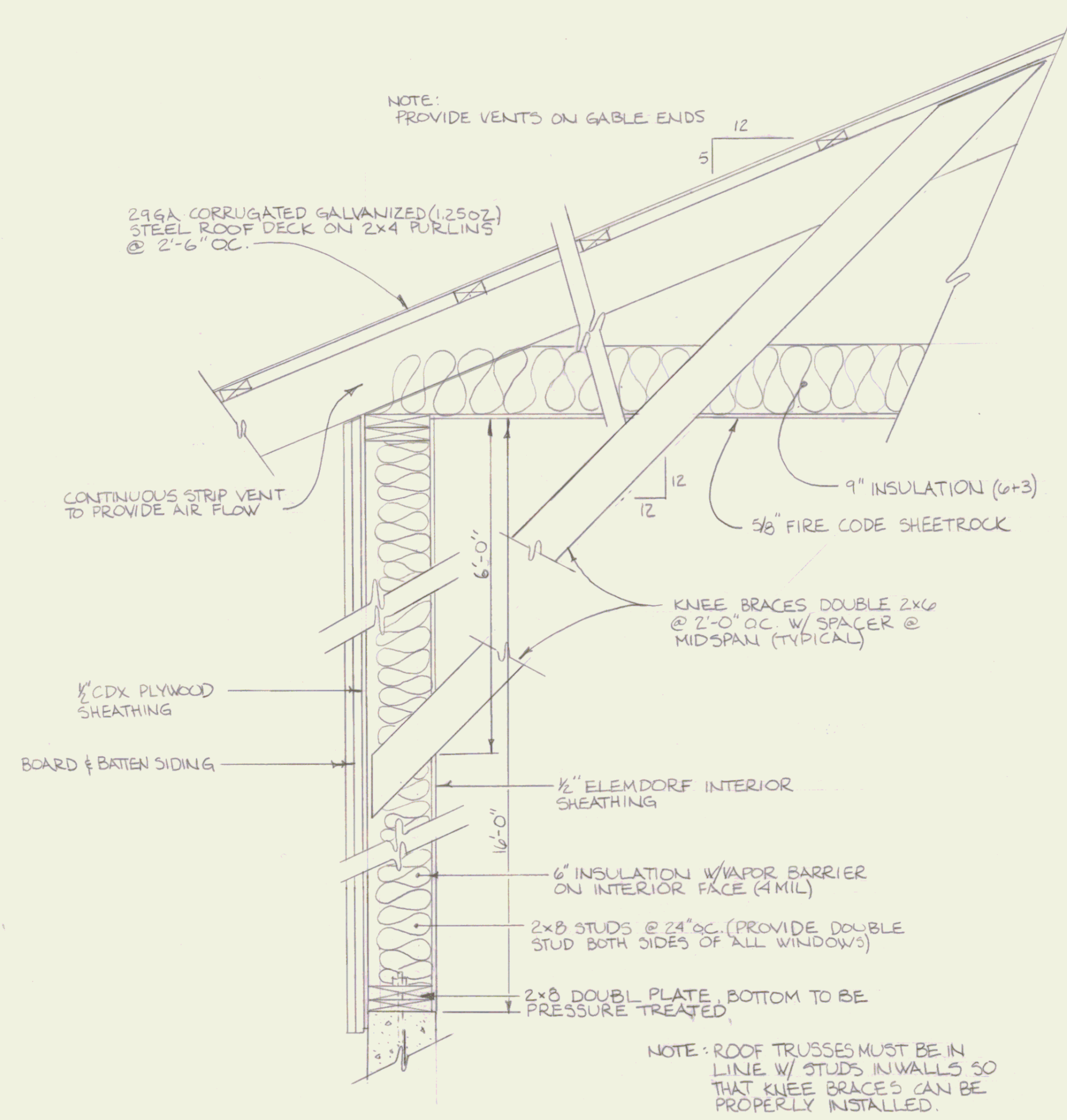
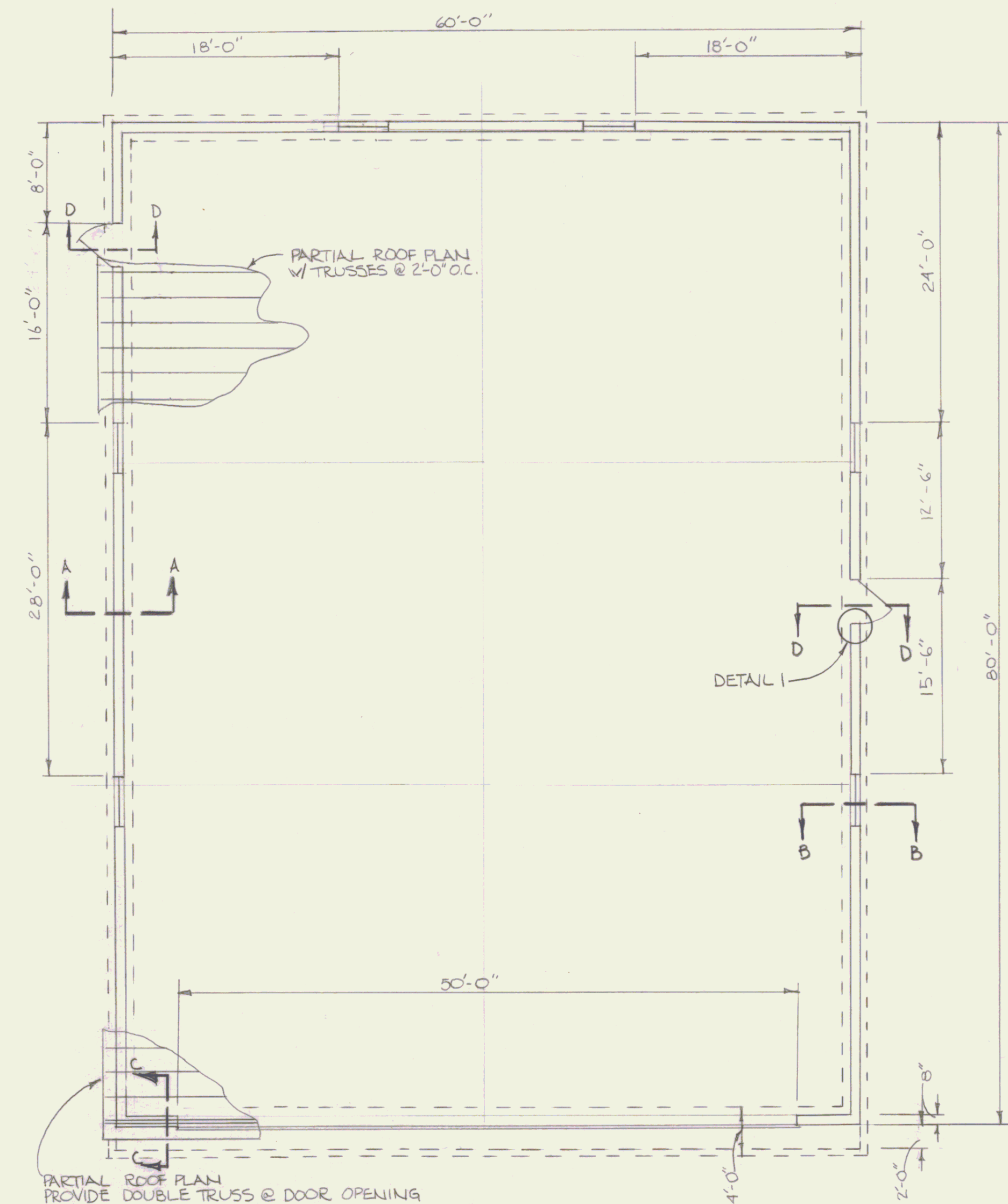
**SECTION 5**  
SCALE: 1" = 1'-0"

REINFORCING STEEL SCHEDULE						
No.	SIZE	LENGTH	MARK	TYPE	(A)	(B)
3	#4	7'-0"	W403	STR.	3'-6"	3'-6"
5	#4	4'-6"	F404	STR.	6"	4'-0"
120	#4	28'-10"	S406	STR.		
92	#4	27'-9"	S405	STR.		
46	#4	25'-6"	S407	STR.		
90	#6	5'-3"	F601	STR.	6"	4'-9"
24	#6	20"	W602	STR.		
55	#4	20"	S408	STR.		
120	#4	5'-6"	F401	STR.	6"	5'-0"
16	#4	16'-0"	W402	STR.	8'-0"	8'-0"

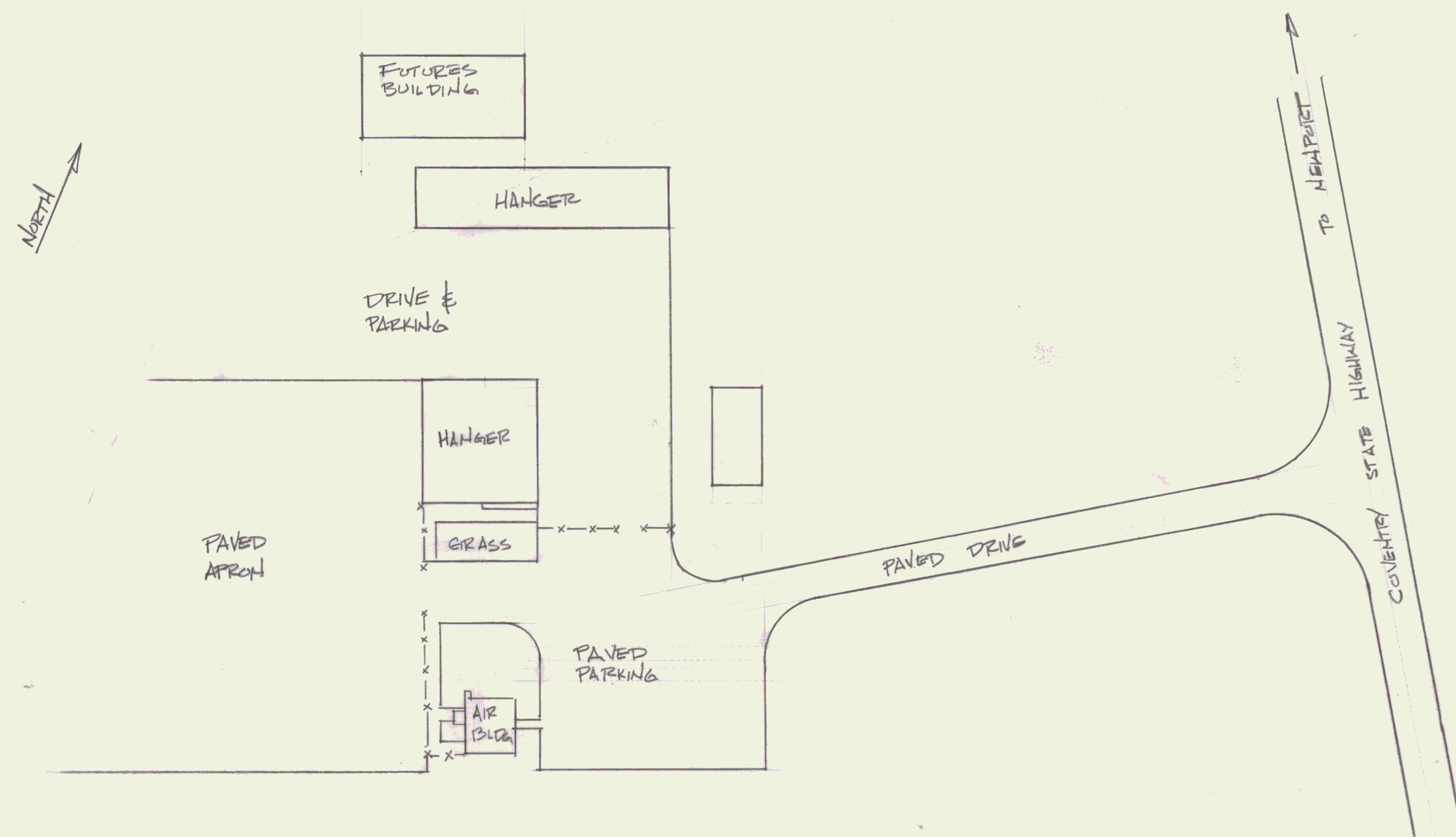
STATE OF VERMONT  
DIVISION OF STATE BUILDINGS  
AGENCY OF ADMINISTRATION  
MONTPELIER, VERMONT

**60' x 80' HANGER  
FOUNDATION DETAILS**

DATE: 5 JUNE 1983	SCALE: AS NOTED	REVISIONS:	DWG. NO.
DRAWN BY: K. UPHAL/RJA	APPROVED BY: F. FENT		1 of 2



STATE OF VERMONT DIVISION OF STATE BUILDINGS AGENCY OF ADMINISTRATION MONTPELIER, VERMONT			
60' x 80' HANGER CARPENTRY			
DATE: 6/16/83	SCALE: AS SHOWN	REVISIONS:	DWG. NO. 2 OF 2
DRAWN BY: PAR.	APPROVED BY: F.P.		



SITE PLAN  
1" = 50'

STATE OF VERMONT			
DIVISION OF STATE BUILDINGS			
AGENCY OF ADMINISTRATION			
MONTPELIER.		VERMONT	
AGENCY OF TRANSPORTATION			
STATE AIRPORT SITE			
NEWPORT, VERMONT			
DATE: JAN. 1984	SCALE 1"=50'	REVISIONS:	DWG. NO.
DRAWN BY: S.R.	APPROVED BY:		OF