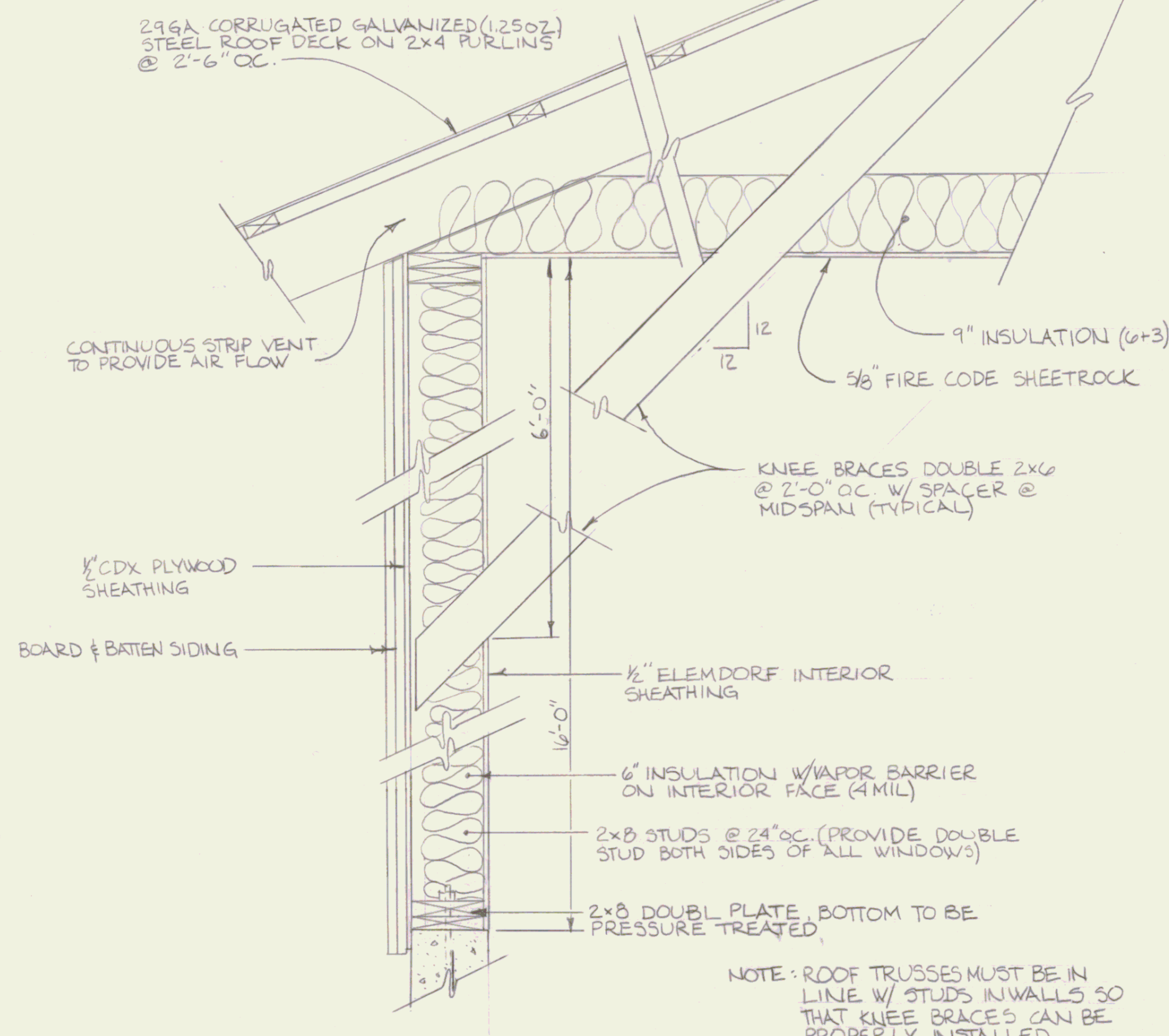


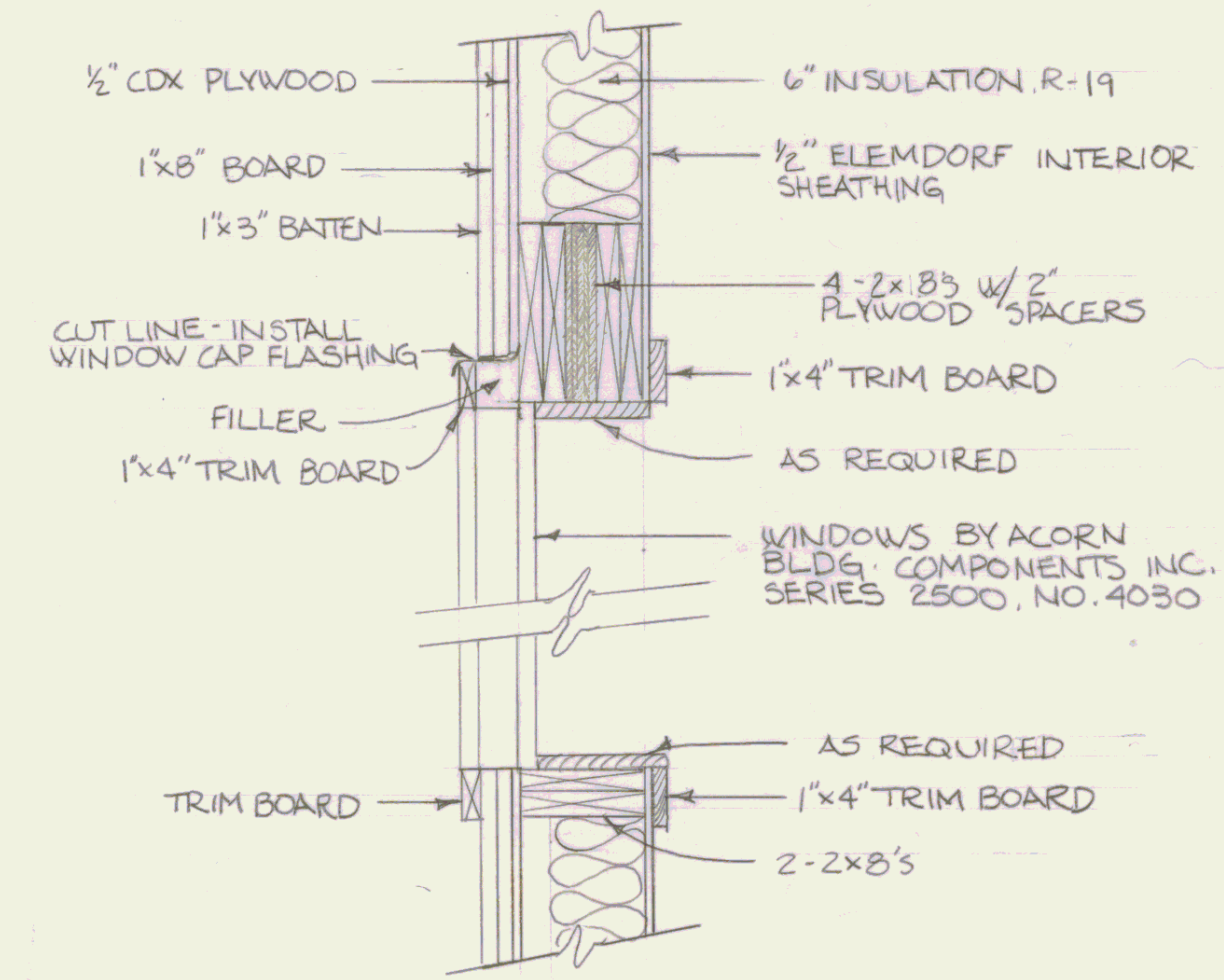
FLOOR PLAN
1/8" = 1'-0"

NOTE:
PROVIDE VENTS ON GABLE ENDS

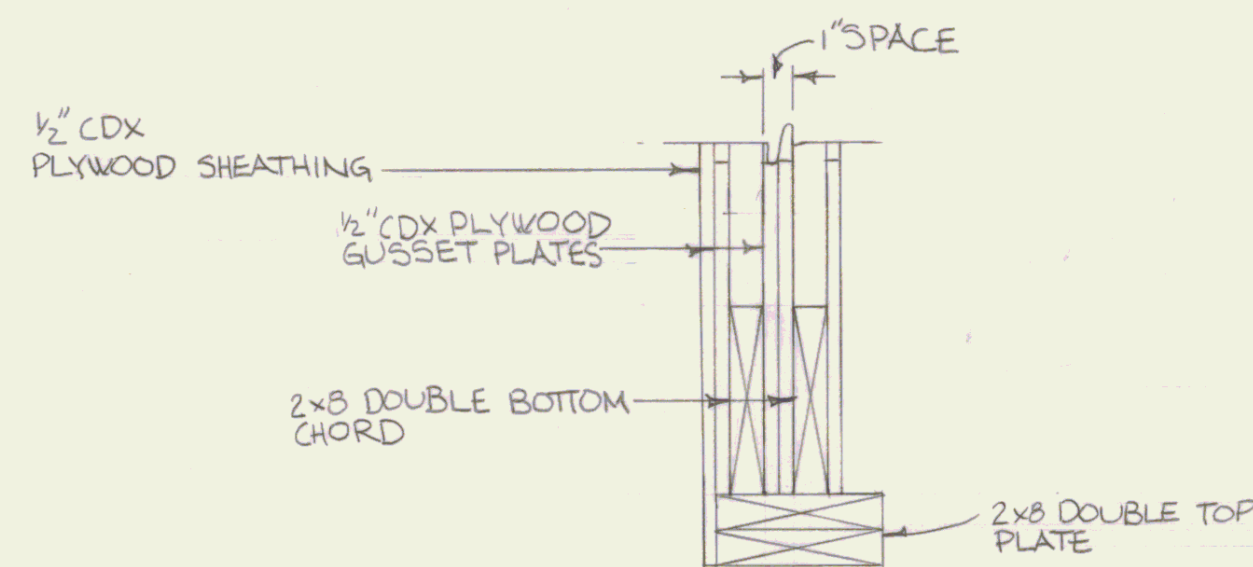


SECTION A-A
1" = 1'-0"

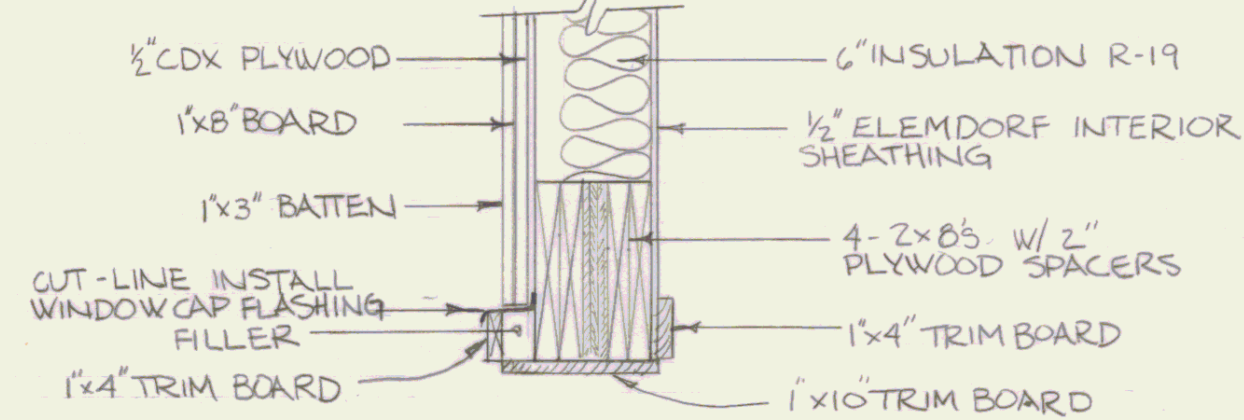
NOTE: ROOF TRUSSES MUST BE IN LINE W/ STUDS IN WALLS SO THAT KNEE BRACES CAN BE PROPERLY INSTALLED.



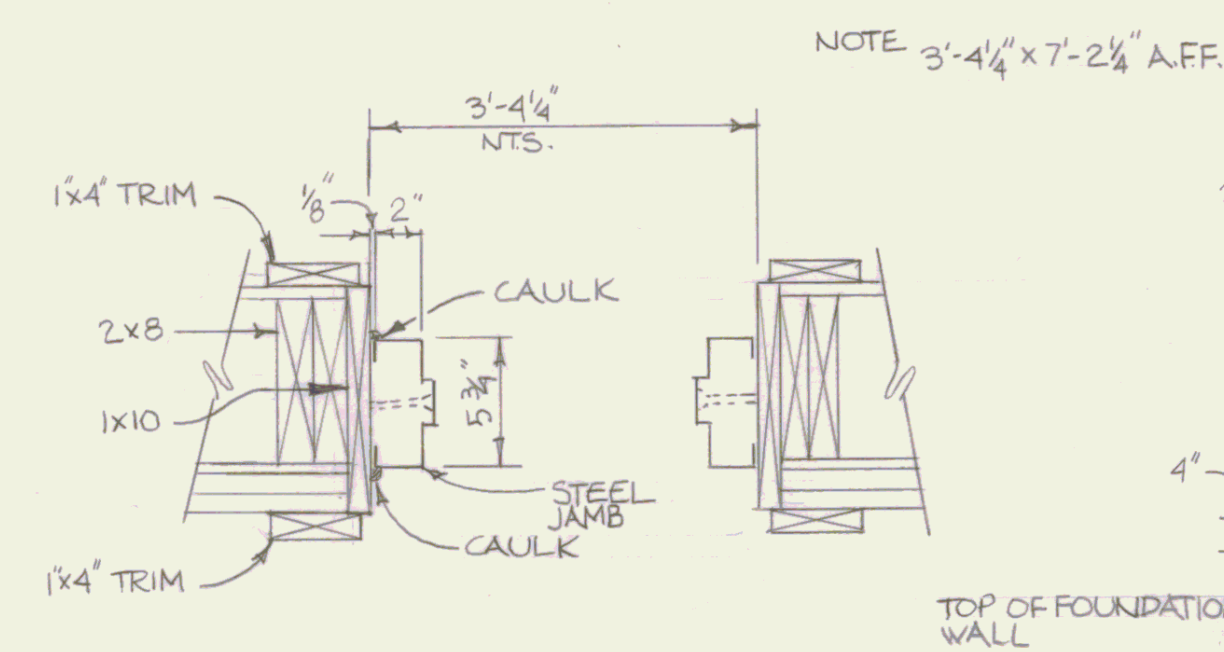
SECTION B-B WINDOW DETAIL
1" = 1'-0"



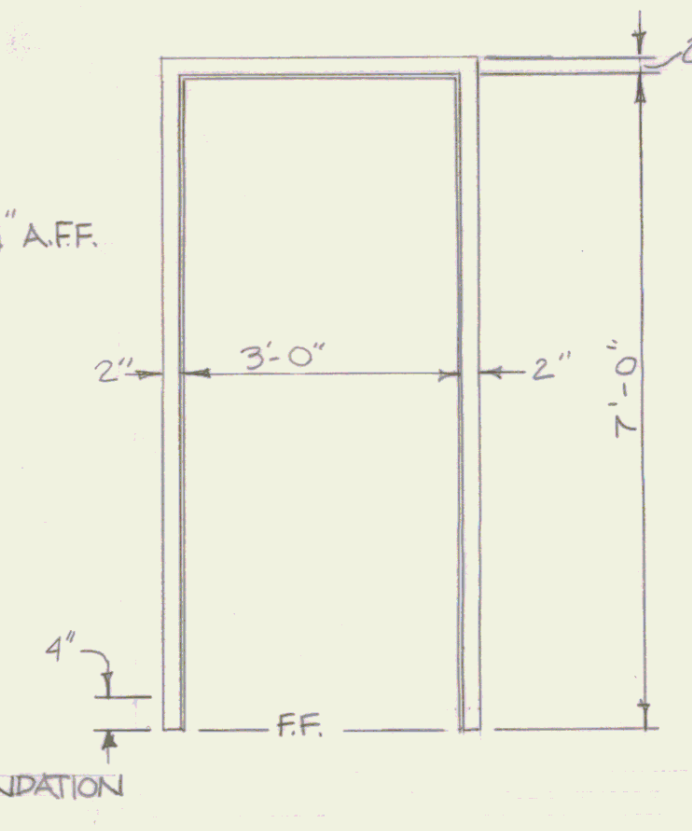
SECTION C-C
1/2" = 1'-0"



SECTION D-D
1" = 1'-0"



DETAIL I DOOR
1/2" = 1'-0"



STEEL DOOR FRAME
1/2" = 1'-0"

STATE OF VERMONT DIVISION OF STATE BUILDINGS AGENCY OF ADMINISTRATION MONTPELIER, VERMONT			
60' x 80' HANGER CARPENTRY			
DATE: 6/16/83	SCALE: AS SHOWN	REVISIONS:	DWG. NO. 2 OF 2
DRAWN BY: PAR.	APPROVED BY: F.P.		