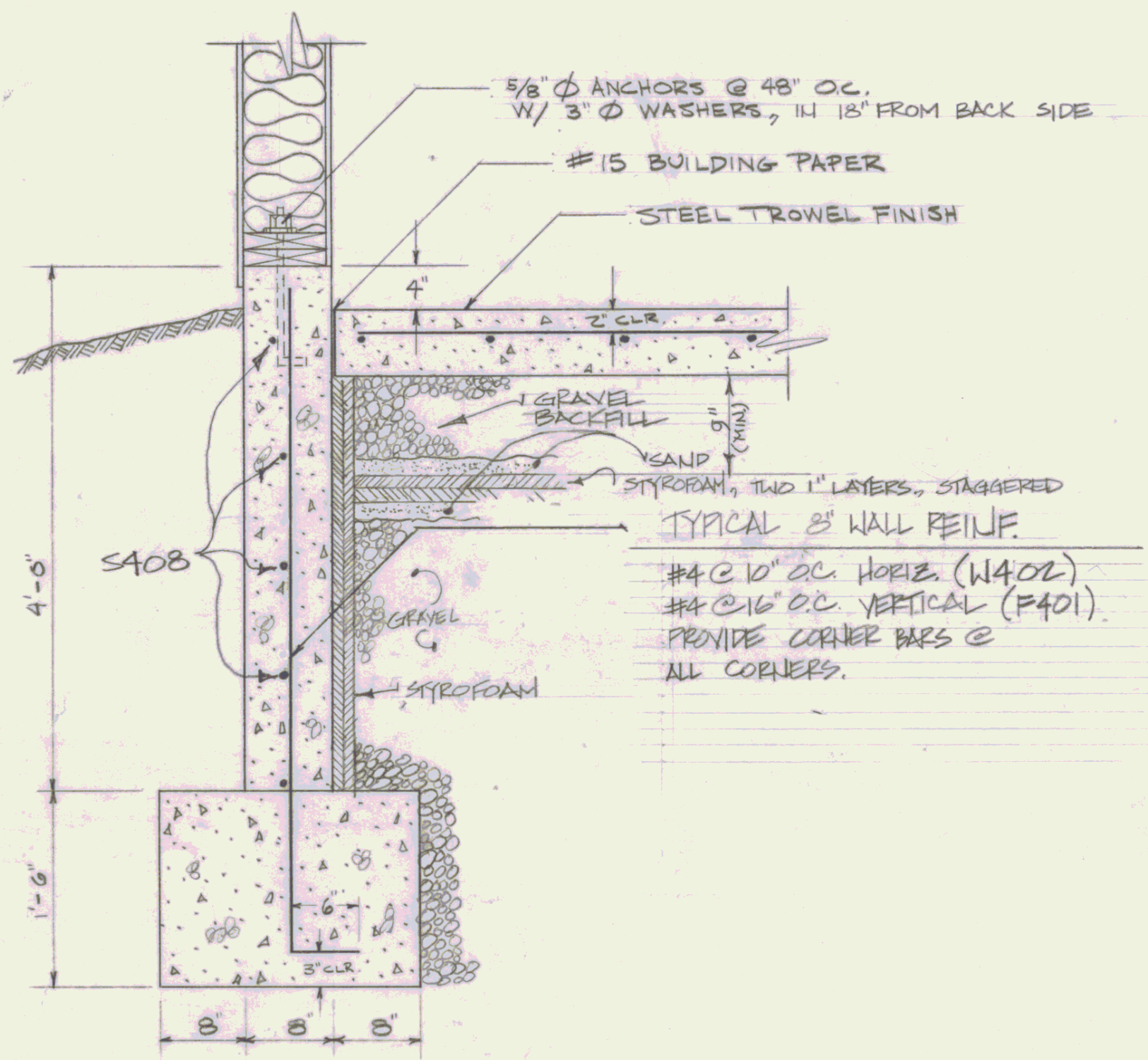
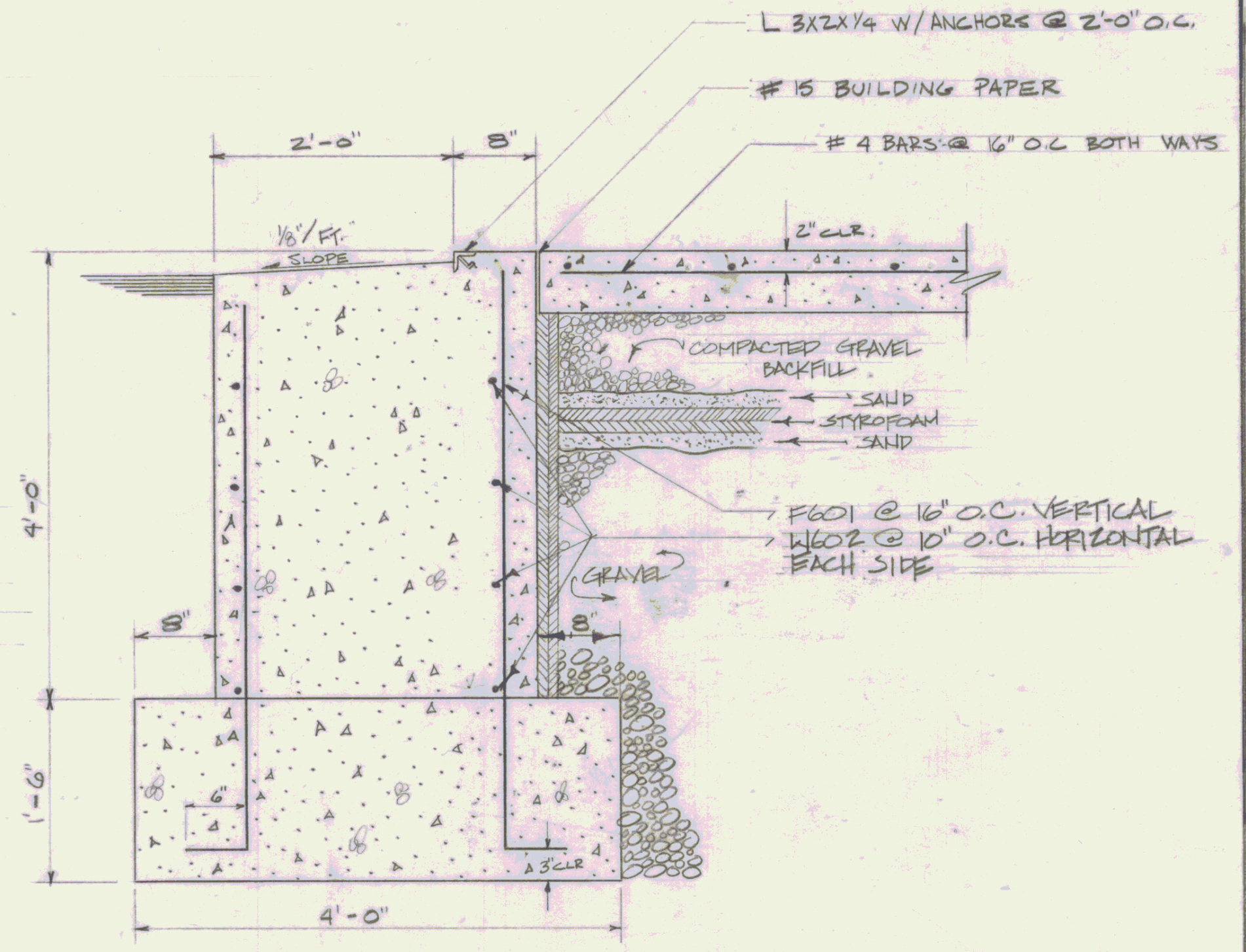


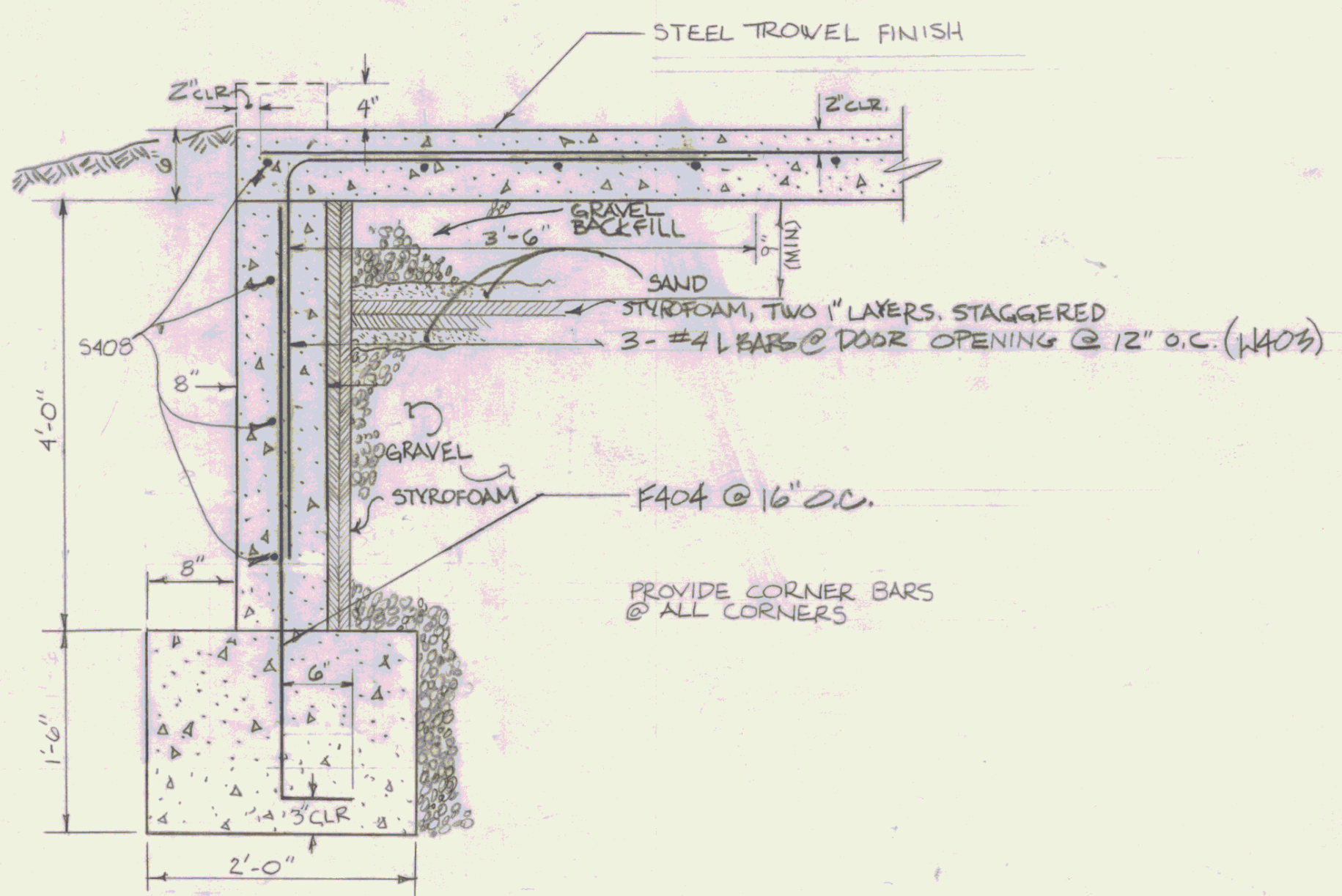
**FOUNDATION PLAN**  
SCALE: 1/8" = 1'-0"



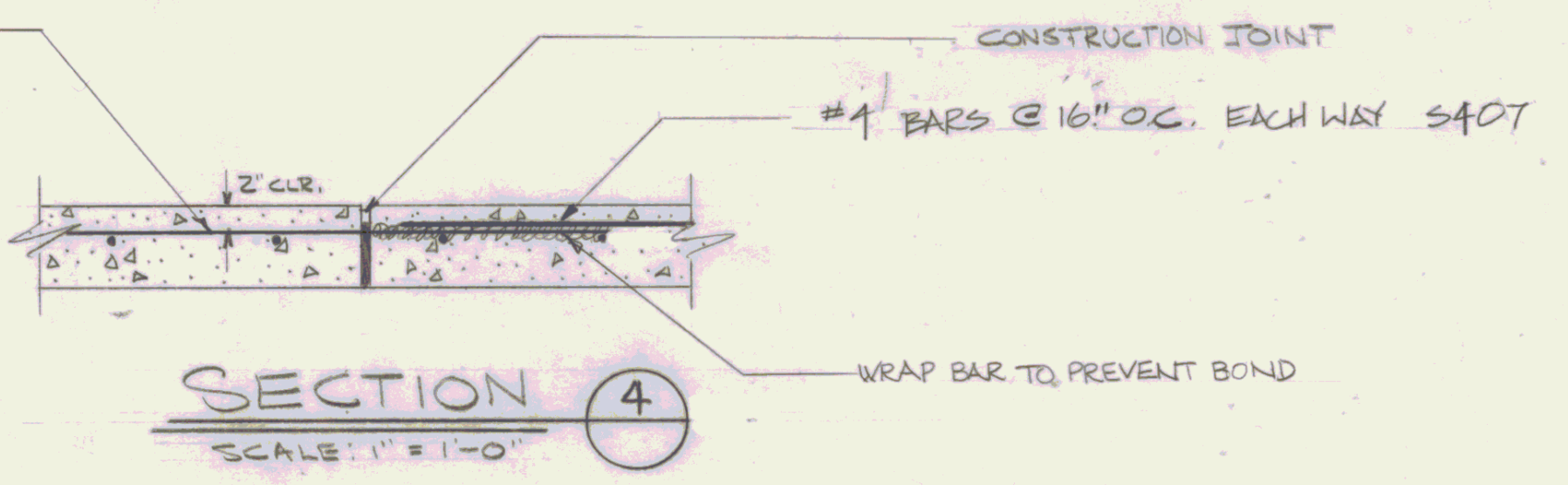
**SECTION 1**  
SCALE: 1" = 1'-0"



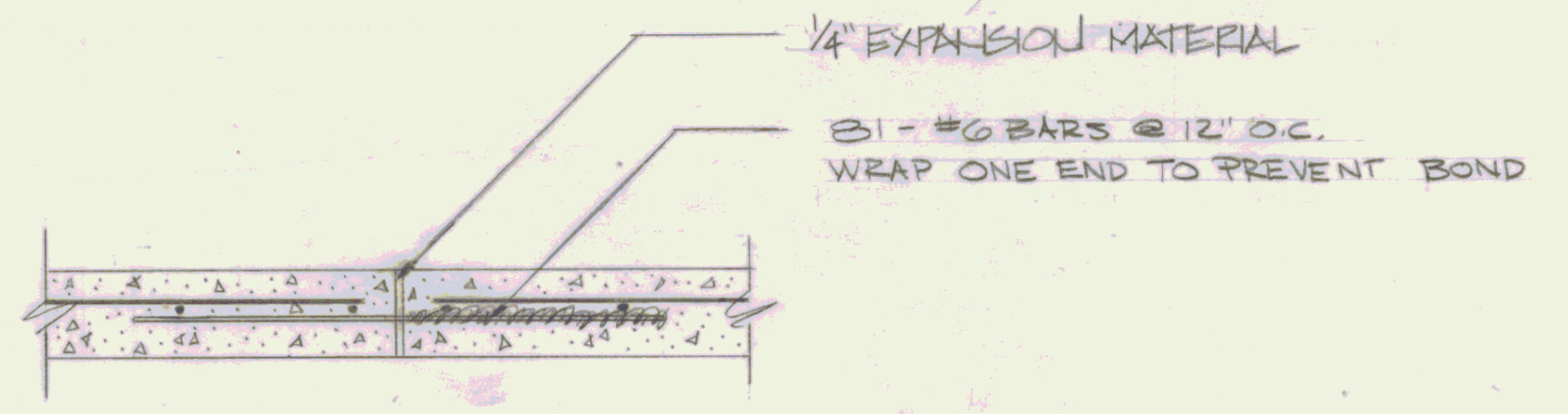
**SECTION 2**  
SCALE: 1" = 1'-0"



**SECTION 3**  
SCALE: 1" = 1'-0"



**SECTION 4**  
SCALE: 1" = 1'-0"



**SECTION 5**  
SCALE: 1" = 1'-0"

REINFORCING STEEL SCHEDULE						
No.	SIZE	LENGTH	MARK	TYPE	(A)	(B)
3	#4	7'-0"	W403	17	3'-6"	3'-6"
3	#4	4'-6"	F404	17	6"	4'-0"
120	#4	28'-10"	S406	STR.		
92	#4	27'-9"	S405	STR.		
46	#4	25'-6"	S407	STR.		
90	#6	5'-3"	F601	17	6"	4'-9"
24	#6	20"	W602	STR.		
55	#4	20"	S408	STR.		
120	#4	5'-6"	F401	17	6"	5'-0"
16	#4	16'-0"	W402	17	8'-0"	8'-0"

STATE OF VERMONT  
DIVISION OF STATE BUILDINGS  
AGENCY OF ADMINISTRATION  
MONTPELIER, VERMONT

**60' x 80' HANGER  
FOUNDATION DETAILS**

DATE: 5 JUNE 1983	SCALE: AS NOTED	REVISIONS:	DWG. NO. 1 of 2
DRAWN BY: K. UPHAL/RJA	APPROVED BY: F. FENT		