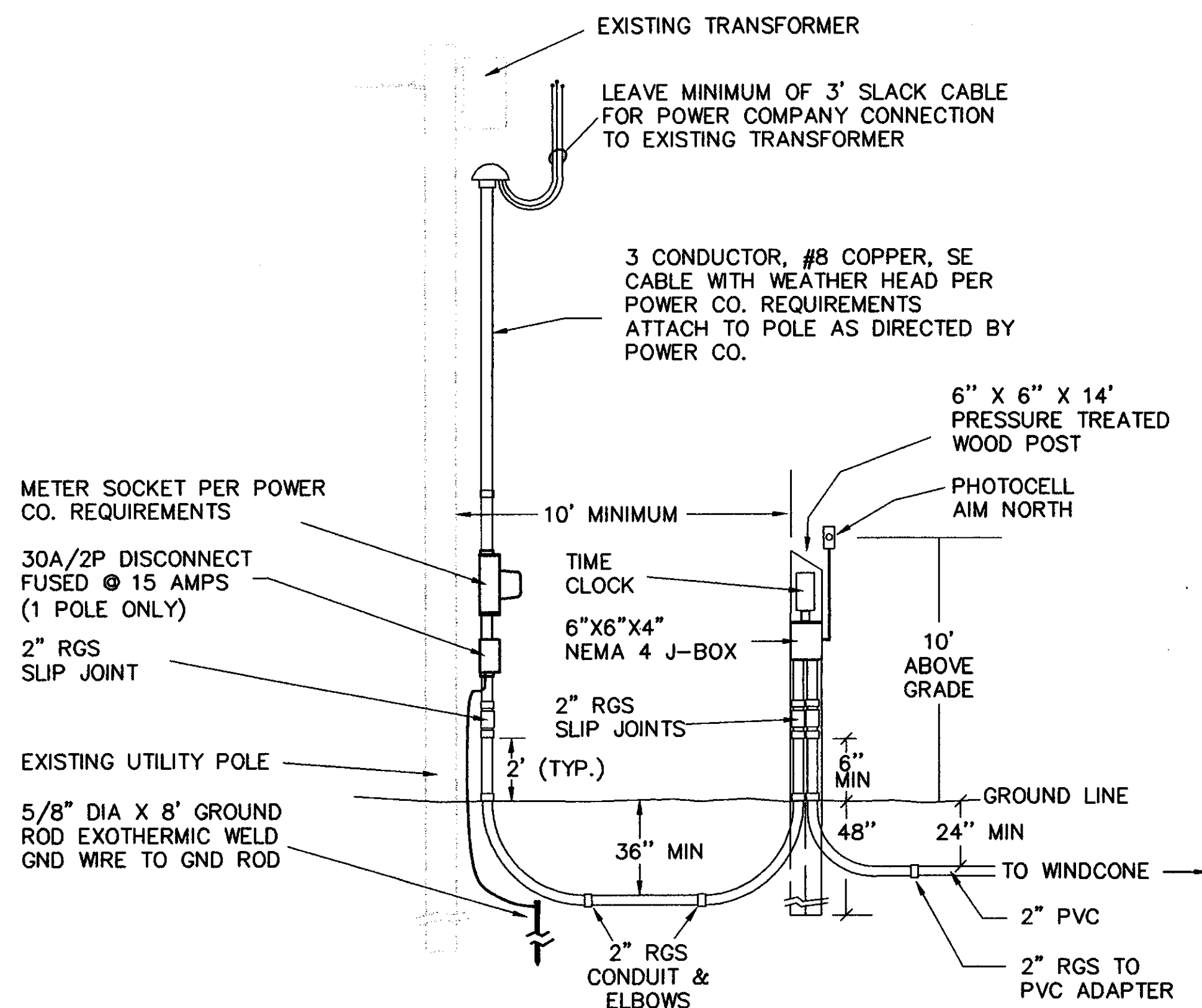


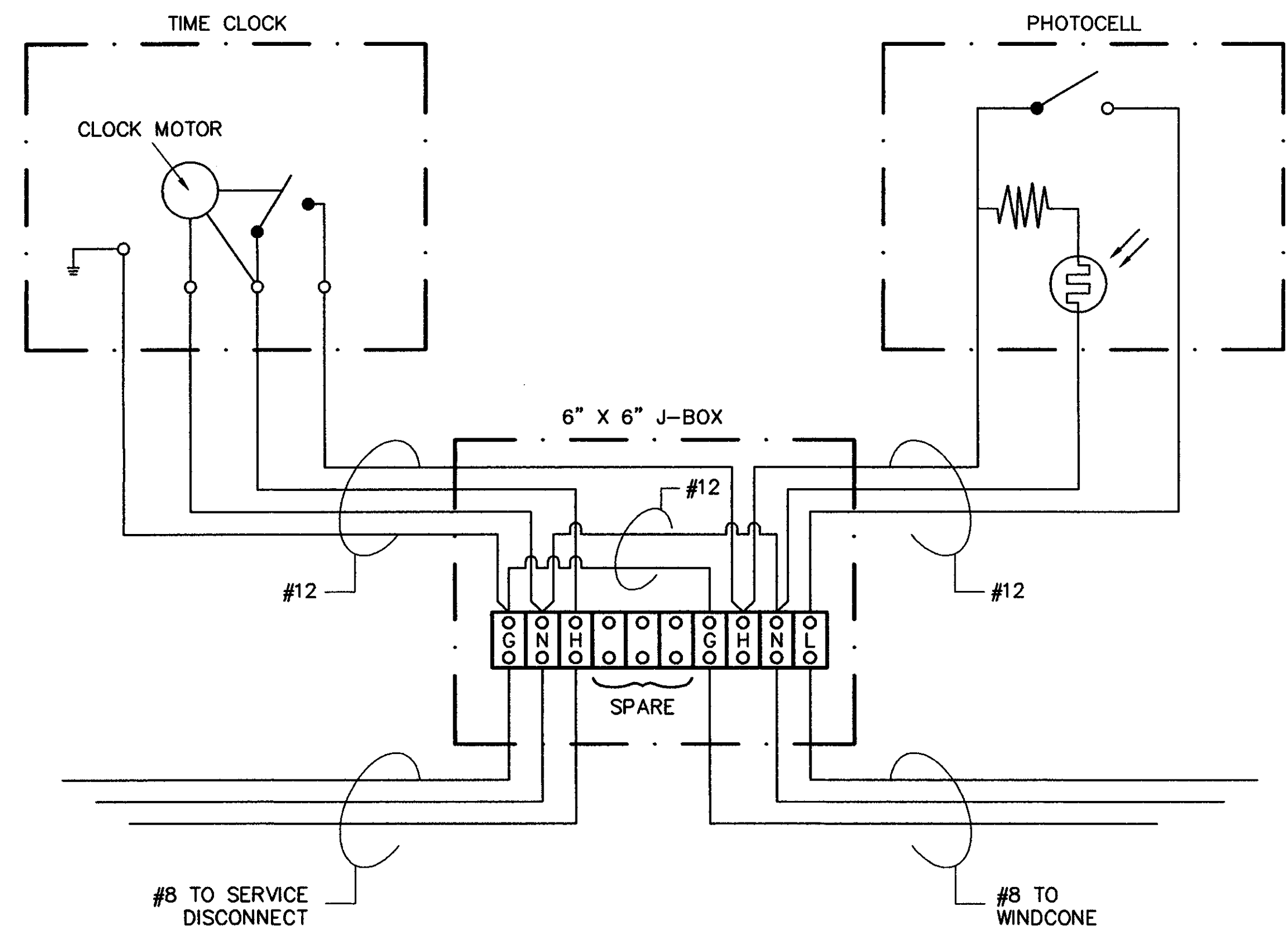
V:\John H. Boylan\Boylan Design 12-99\Design 12-99 sheet 5.dwg P1 Mar 03 14:18:08 2000 Dufresne-Henry, Consulting Engineers
HP Designer: JSDC Hewlett-Packard HP-GL/2 devices, ADI 4.3 (v4.1) - Jul 22 1998



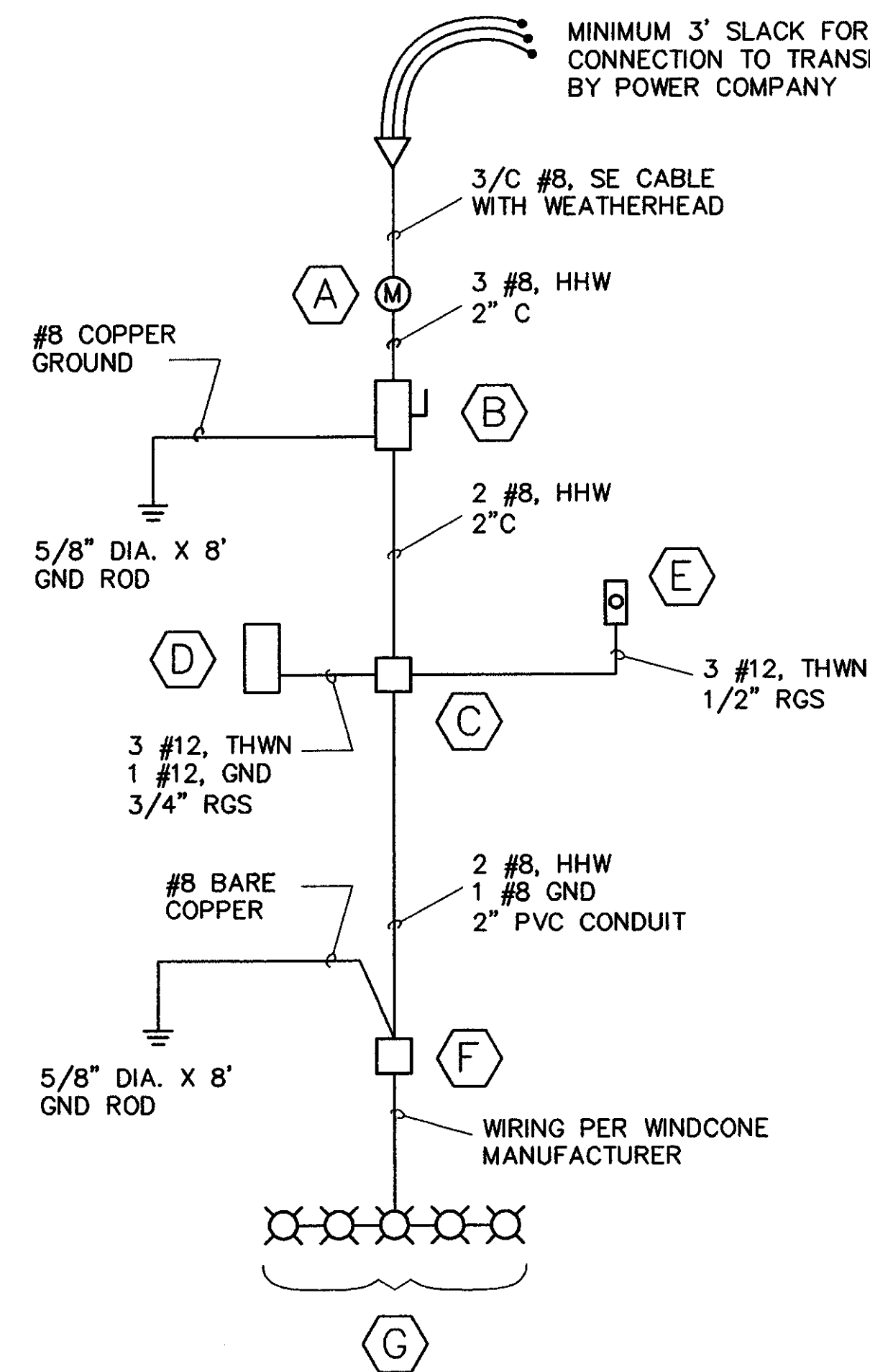
- GENERAL NOTES:
1. INSTALLATION SHALL BE PER 1999 NEC AND MANUFACTURERS REQUIREMENTS.
 2. EQUIPMENT SHALL BE UL LISTED OR FAA APPROVED.
 3. ALL CONDUCTORS SHALL BE COPPER WITH INSULATION AND SIZE AS INDICATED
 4. ALL WIRING SHALL BE IN CONDUIT AS INDICATED.

- NOTES:
1. REFER TO ONE-LINE DIAGRAM FOR CONDUCTOR SIZES
 2. INSTALL SLIPJOINTS TWO THIRDS OPEN

(A) WINDCONE SERVICE ELEVATION
ITEM *** - NOT TO SCALE



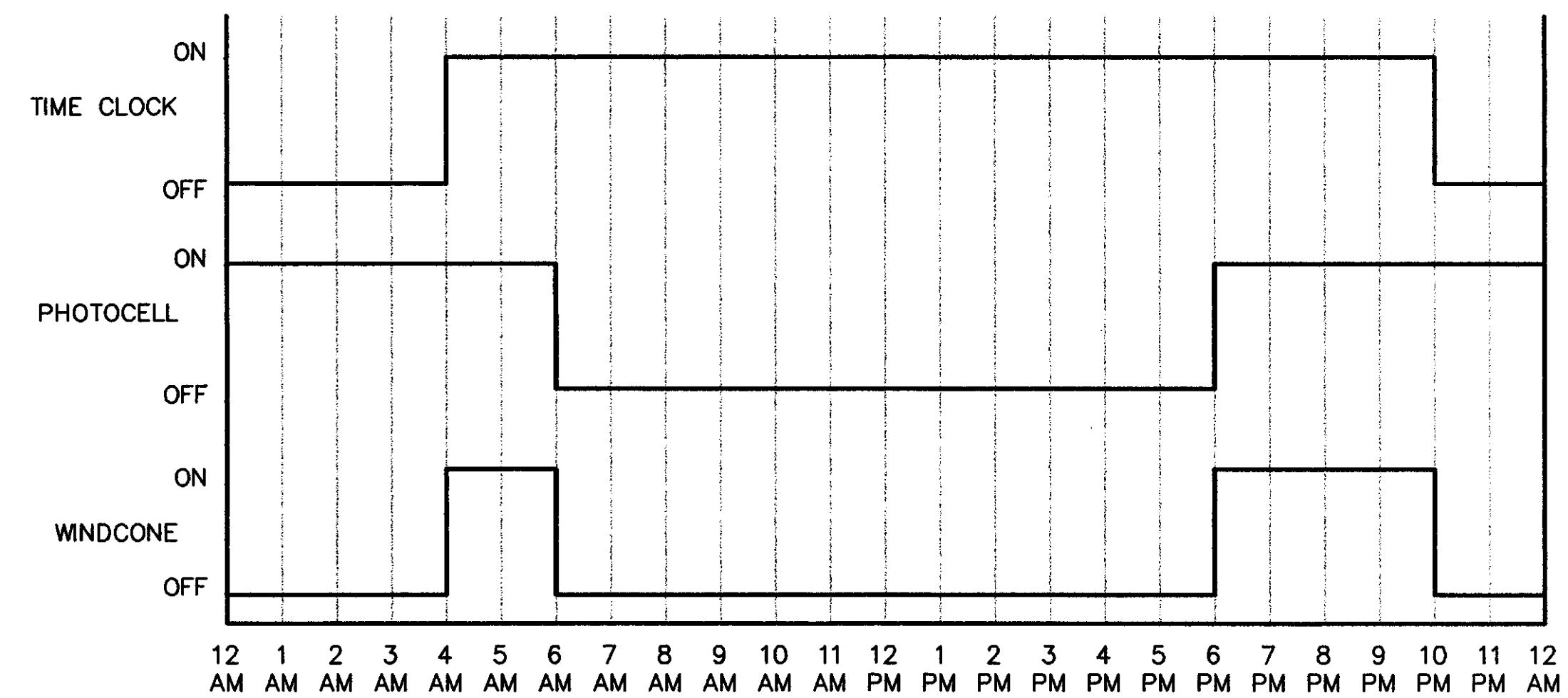
(C) CONTROL WIRING DIAGRAM
NOT TO SCALE



NOTE:
INSTALLATION SHALL BE IN STRICT COMPLIANCE WITH POWER COMPANY REQUIREMENTS WHETHER INDICATED OR NOT

- KEYNOTES
- (A) 120/240V-1 PHASE-3W METER SOCKET PER POWER COMPANY REQUIREMENTS
 - (B) 30A/2P DISCONNECT SWITCH WITH SOLID NEUTRAL AND GROUND LUG FUSE ONE POLE ONLY @ 15 AMPS. NEMA 3R, HEAVY DUTY, UL LISTED AS SERVICE DISCONNECT
 - (C) 6" X 6" X 4" NEMA 4 JUNCTION BOX W/ 10 POLE TERMINAL STRIP AND 5" MOUNTING RAIL
TERMINALS - SQUARE D CLASS 9080 TYPE GR6
RAIL - SQUARE D CLASS 9080 TYPE GH105
TERMINALS TO BE BOX LUG TYPE AND ACCEPT #22 TO #8 AWG WIRE
 - (D) 24 HOUR TIME CLOCK W/ 2 SETS OF ON/OFF TRIPPERS, SPST, SPRING WOUND CARRY OVER, NEMA 3R ENCLOSURE. INTERMATIC CATALOG #T171CR
 - (E) PHOTOCELL WITH ADJUSTABLE SLIDER, THERMAL TYPE, 120 VOLT. INTERMATIC CATALOG #K4121
 - (F) JUNCTION BOX FURNISHED WITH WINDCONE
 - (G) 120V WINDCONE ASSEMBLY W/ (4) 150 W (MAXIMUM) FLOODLIGHTS (1) 116W OBSTRUCTION LIGHT

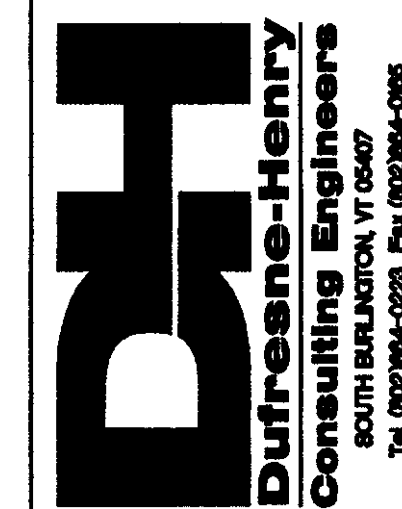
(B) ONE-LINE DIAGRAM
NOT TO SCALE



(D) LOGIC DIAGRAM (TYPICAL EXAMPLE)
NOT TO SCALE

OPERATION SEQUENCE (EXAMPLE)

1. TIMECLOCK IS SET TO OPERATE BETWEEN 4AM-10PM.
2. PHOTOCELL TURNS ON WHEN AMBIENT LIGHT LEVEL DROPS BELOW SET POINT AT 6PM (SUNSET) AND TURN OFF WHEN AMBIENT LIGHT LEVEL RISES ABOVE SET POINT AT 6AM (SUNRISE).
3. WINDCONE IS ENERGIZED BETWEEN 4AM-6AM AND 6PM-10PM.



Rev.	Description	By	Date

John H. Boylan State Airport
Contract #0284038

ELECTRICAL DETAILS

Brighton

Project No.	8180086
Proj. Manager	mc
Proj. Designer	gd
Drawn By	gr
Checked By	mc
Scale	As Shown
Approved	
Date	January 2000

5