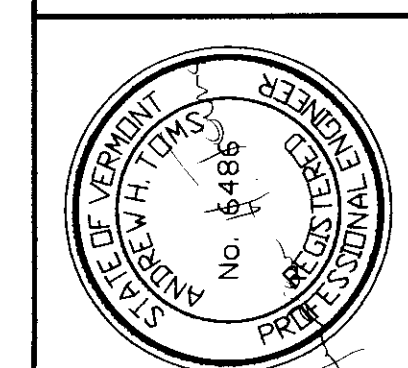


Rev.	Description	By	Date

VERMONT

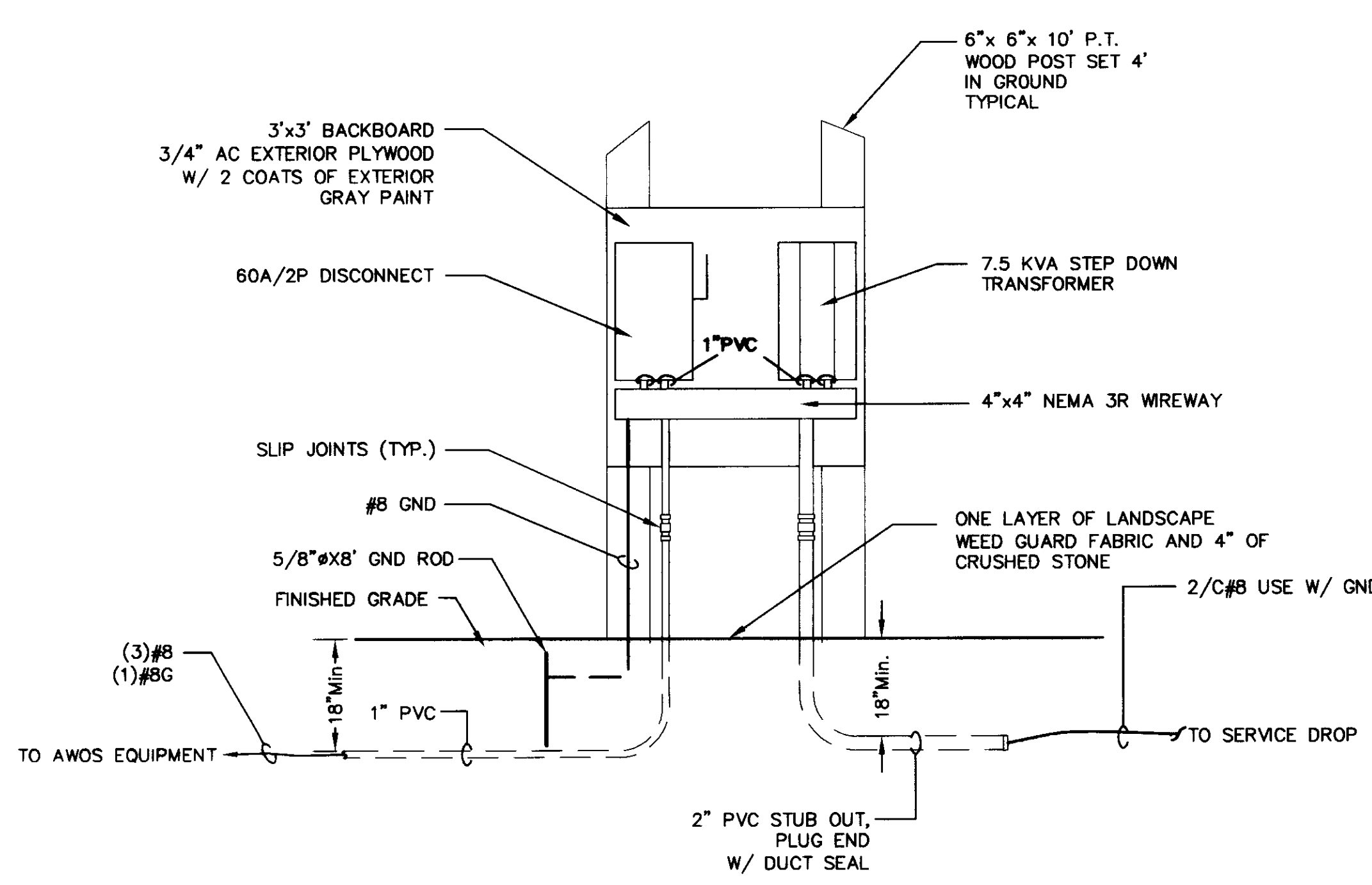
FRANKLIN COUNTY STATE AIRPORT
 ELECTRICAL DETAILS

HIGHGATE



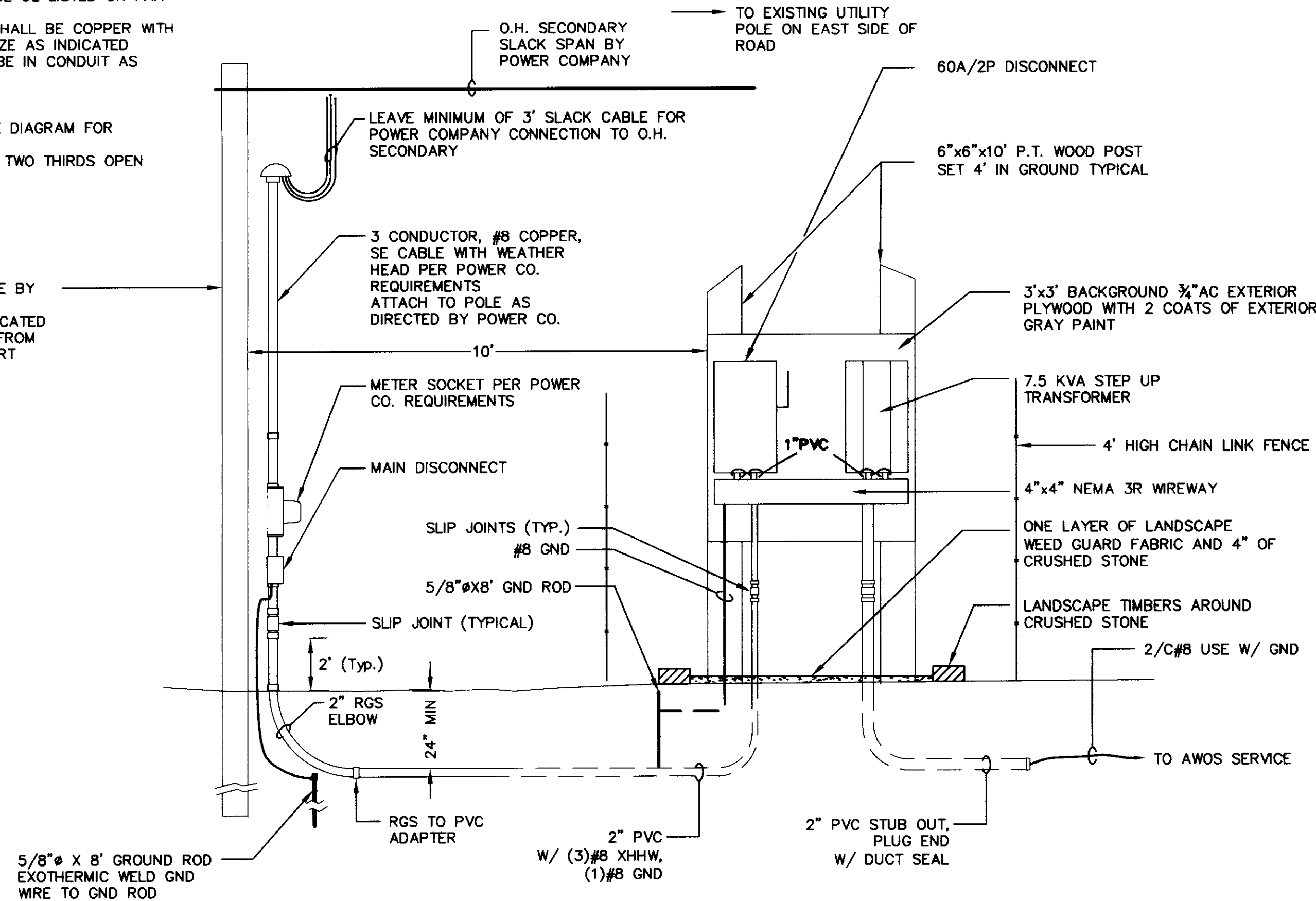
Project No.	8180066
Proj. Manager	AHT
Proj. Designer	AHT
Drawn By	DNF
Checked By	MC
Scale	NTS
Approved	MC
Date	05-07-01

6

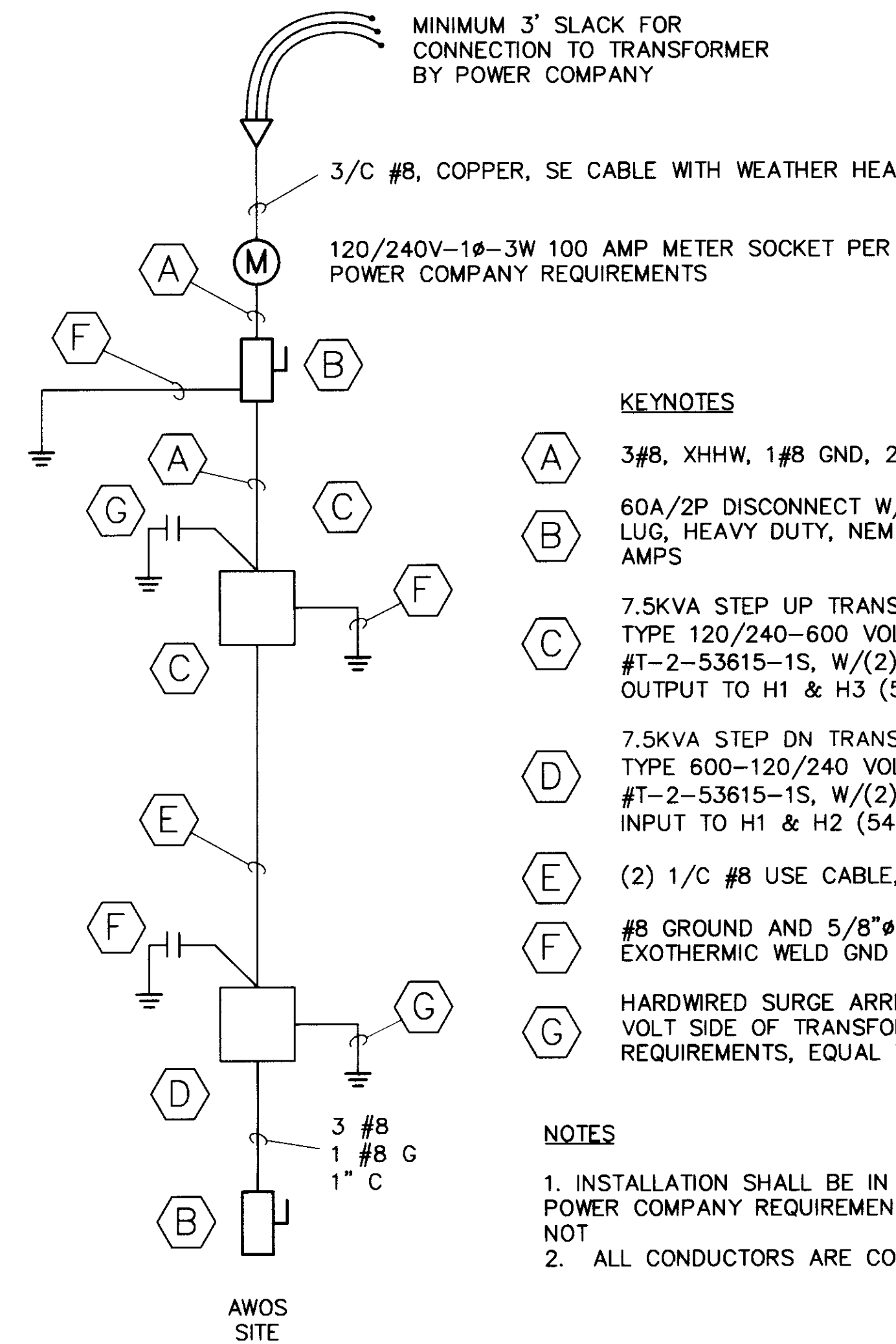


B AWOS SERVICE ELEVATION
 6 NOT TO SCALE

- GENERAL NOTES:
- INSTALLATION SHALL BE PER 1999 NEC AND MANUFACTURERS REQUIREMENTS.
 - EQUIPMENT SHALL BE UL LISTED OR FAA APPROVED.
 - ALL CONDUCTORS SHALL BE COPPER WITH INSULATION AND SIZE AS INDICATED
 - ALL WIRING SHALL BE IN CONDUIT AS INDICATED.
- NOTES:
- REFER TO ONE-LINE DIAGRAM FOR CONDUCTOR SIZES
 - INSTALL SLIPJOINTS TWO THIRDS OPEN



C AWOS SERVICE DROP ELEVATION
 6 NOT TO SCALE



A ONE-LINE DIAGRAM
 6 NOT TO SCALE

- KEYNOTES
- A 3#8, XHHW, 1#8 GND, 2" PVC CONDUIT
- B 60A/2P DISCONNECT W/SOLID NEUTRAL AND GROUND LUG, HEAVY DUTY, NEMA 3R ENCLOSURE, FUSED @ 40 AMPS
- C 7.5KVA STEP UP TRANSFORMER ENCAPSULATED DRY TYPE 120/240-600 VOLTS. EQUAL TO ACME #T-2-53615-1S, W/(2) 5% FCBN TAPS. CONNECT OUTPUT TO H1 & H3 (570 VOLTS), GROUND H1
- D 7.5KVA STEP DN TRANSFORMER ENCAPSULATED DRY TYPE 600-120/240 VOLTS. EQUAL TO ACME #T-2-53615-1S, W/(2) 5% FCBN TAPS. CONNECT INPUT TO H1 & H2 (540 VOLTS), GROUND H1
- E (2) 1/C #8 USE CABLE, (1) #8 DIRECT BURIED
- F #8 GROUND AND 5/8"ØX8' COPPER CLAD GND ROD. EXOTHERMIC WELD GND WIRE TO GND ROD
- G HARDWIRED SURGE ARRESTER. CONNECT ON 600 VOLT SIDE OF TRANSFORMER PER MANUFACTURERS REQUIREMENTS, EQUAL TO SQUARE D #SDSA 3650

- NOTES
- INSTALLATION SHALL BE IN STRICT COMPLIANCE WITH POWER COMPANY REQUIREMENTS WHETHER INDICATED OR NOT
 - ALL CONDUCTORS ARE COPPER