

ELECTRICAL LEGEND

- LUMINAIRES**
- CEILING LIGHT
  - WALL LIGHT
  - ⊗ EXIT - WALL
  - ⊗ EMERGENCY LIGHT - DOUBLE HEAD
- WALL SWITCHES**
- \$ SWITCH 48" AFF
  - \$MS MANUAL MOTOR STARTER
- WALL RECEPTACLES**
- ⊕ DUPLEX OUTLET +40" AFF
  - ⊕ SPLIT WIRED DUPLEX OUTLET
  - ⊕ SINGLE SPECIAL PURPOSE OUTLET
- MISCELLANEOUS EQUIPMENT**
- ⊗ MOTOR STARTER
  - SAFETY SWITCH
  - ▬ ELECTRIC PANEL BOARD
  - MOTOR
  - BRANCH CIRCUIT
- ABBREVIATIONS**
- AFF ABOVE FINISHED FLOOR
  - EC ELECTRICAL CONTRACTOR
  - ES EQUIPMENT SUPPLIER
  - GC GENERAL CONTRACTOR
  - JB JUNCTION BOX
  - GR GROUND
  - GRC GALVANIZED RIGID CONDUIT
  - MOD MOTOR OPERATED DAMPER

ELECTRICAL FIXTURE SCHEDULE

KEY	MANUFACTURER & MODEL	MOUNTING	LAMPS	VOLTAGE	REMARKS
A	GE - C132553H61A6	SEE DETAIL	250 W -4PS	240	SAFETY CHAIN
A1	SAFETY CHAIN	SEE DETAIL	250 W -4PS	240	SAFETY CHAIN
B	HADOO - VS 1040 HXL P1	10' AFF	35 W -4PS	120	PHOTOBELL CONTROL
C	HIGHEY PHILIPS - QB20A31 RED	3/4" GRG - 12" ABOVE ROOF RIDGE	116 W -	120	LB CONDUIT ON EXTERIOR WALL - LHT16-125A2ID
⊕	LIGHTALARM - 2P12N1/LHS	4" OUTLET BOX 2 - 12 WATT		12	10' AFF
⊗	LIGHTALARM - XE8WR-FL	UNIVERSAL	2-7 WATT-FL	120	12" ABOVE DOOR

MECHANICAL EQUIPMENT SCHEDULE

KEY	DESCRIPTION
EF-1	EXHAUST FAN - GREENHECK SPFE30, 1/3HP, 120 VAC, 539RPM, 5875CFM @ .125", 14.3 SONES, FLUSH MOUNTED MOTORIZED DAMPER @ 120VAC, WEATHER HOOD, WALL MOUNT COLLAR, MOTOR SIDE GUARD.
L1, L2	COMBINATION LOUVER / MOTOR OPERATED DAMPER, 48" WIDE x 36" HIGH VENT PRODUCTS MODEL 2000, EXTENDED ALUMINUM WITH BRID SCREEN, ADJUST-O-VENT HARDWARE KIT #9027 AND DAMPER COILMAN 120VAC DAMPER ACTUATOR CAT. #MA 419.

PANEL DESIGNATORS

PANEL : PP

MOUNTING: SURFACE  
 MAINS: 200 AMP - MAIN CIRCUIT BRKR. - 120/240V - 1 PHASE - 3 WIRE  
 BRANCHES: AS SHOWN  
 CONNECTED LOAD : 16 KW

QXT NO.	KW LOAD	DESCRIPTION	BREAKER P AMP	BREAKER AMP P	DESCRIPTION	KW LOAD	QXT NO.
1	0.5	***	20	20	2 LIGHTING	2.4	2
3	2.0	BI-FOLD DOOR	20	20	2 LIGHTING	2.4	4
5	-	"	-	-	2 LIGHTING	-	6
7	0.3	EXH FAN/MOTOR OP. LOUVERS	15	15	2 WATER SYSTEM	2.0	8
9	4.0	GAS PUMP	50	50	2 WATER SYSTEM	2.0	10
11	-	"	-	-	2 WATER SYSTEM	-	12
13	0.5	SPACE FOR SWITCHED NEUTRAL	20	20	1 RECEPTACLES	0.5	14
15	0.5	GAS PUMP LIGHT	20	20	1 RECEPTACLES	0.5	16
17	0.5	SPACE FOR SWITCHED NEUTRAL	20	20	1 RECEPTACLES	-	18
19	-	SPACE	1	20	1 RECEPTACLES	-	20
21	-	SPACE	1	20	1 RECEPTACLES	-	22
22	1.0	PANEL FEED	3	100	SPACE	-	24
26	-	"	-	-	SPACE	-	28
27	-	SPACE	-	-	SPACE	-	30
29	-	SPACE	-	-	SPACE	-	32
31	-	SPACE	-	-	SPACE	-	34
33	-	SPACE	-	-	SPACE	-	36
35	-	SPACE	-	-	SPACE	-	38
37	-	SPACE	-	-	SPACE	-	40
39	-	SPACE	-	-	SPACE	-	40

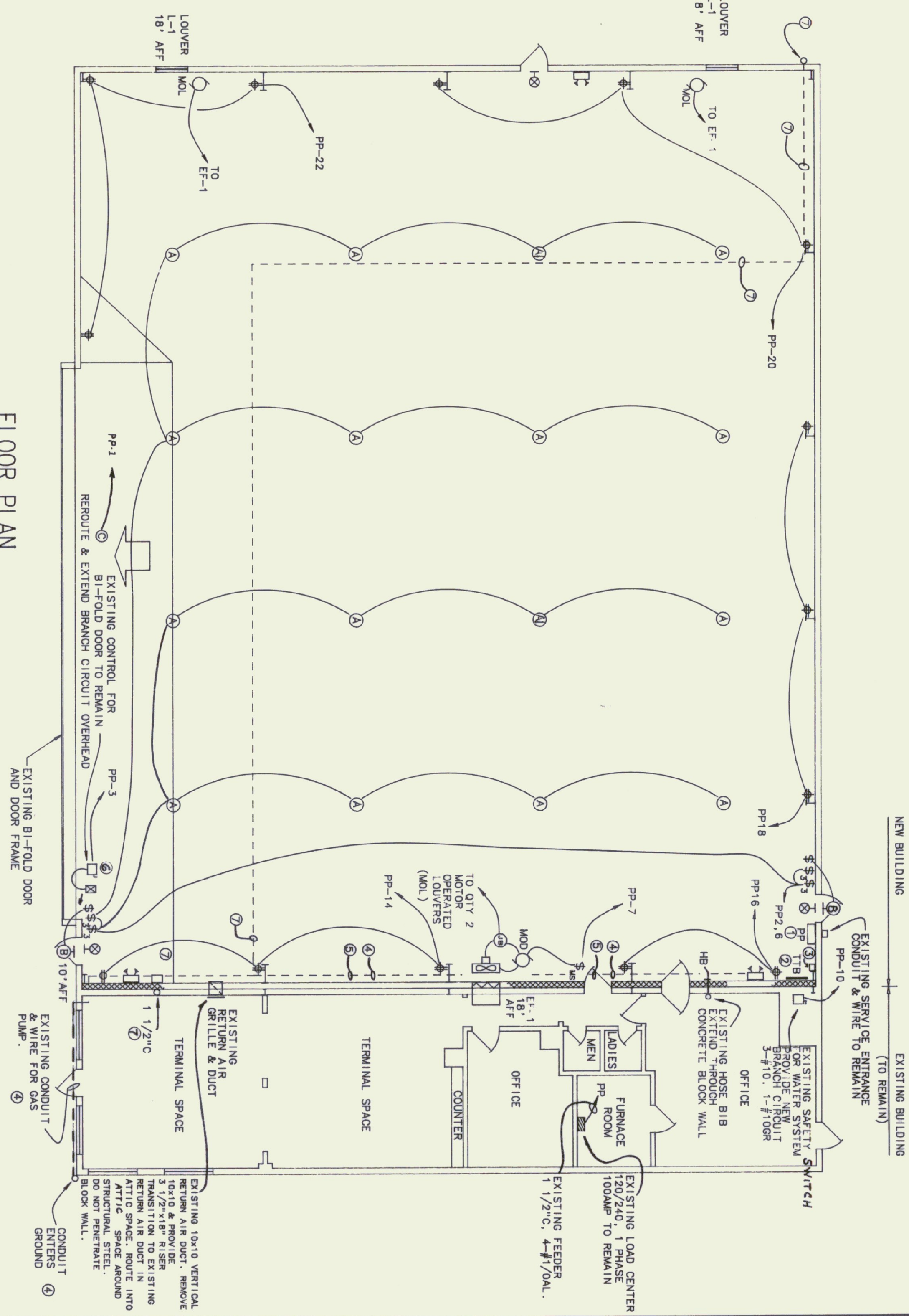
\* PROVIDE HANDLE LOCK  
 \*\*\*EXIT, EMERGENCY, ENTRY & OBSTRUCTION LIGHTS  
 \*\* SWITCH NEUTRAL

KEYED NOTES

- ① REMOVE EXISTING ELECTRICAL LOAD CENTERS, PROVIDE NEW PANEL PP. ELECTRICAL SERVICE TO REMAIN IN SERVICE. PROVIDE TEMPORARY SUPPORT AND WEATHERROOF ELECTRICAL SERVICE DURING CONSTRUCTION.
- ② PROVIDE 2" X 2" X 3/4" WATERPROOF PLYWOOD TELEPHONE TERMINAL BOARD (TTB), PAINT GRAY.
- ③ EXISTING TELEPHONE INTERPHASE. TELEPHONE TO REMAIN IN SERVICE.
- ④ EXISTING 1" CONDUIT FOR GAS PUMP AND GAS PUMP LIGHT WITH 2 - #8, 2 - #10, 2 - #12, 1 - #10 GROUND. REROUTE TO ALLOW CONSTRUCTION OF BLOCK WALL.
- ⑤ EXISTING BRANCH CIRCUIT FOR BI-FOLD DOOR. REROUTE TO ALLOW CONSTRUCTION OF BLOCK WALL.
- ⑥ MOUNT DOOR CONTROL BY LIGHT SWITCHES.
- ⑦ EXISTING 30 CONDUCTOR CABLE FOR RUNWAY LIGHTS AND RADIO CONTROL. REMOVE EXISTING 1 1/2" PVC CONDUIT AND LB. INSTALL CONDUIT OUT OF TOP OF CONTROL BOX TO ATTIC SPACE ABOVE TERMINAL. RUN CABLE HIGH ALONG EAST WALL OF NEW HANGAR. CABLE MUST BE KEPT IN SERVICE.

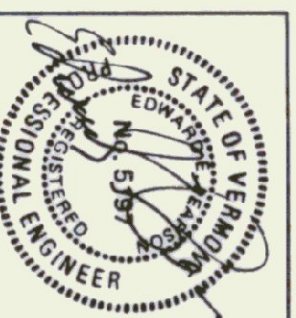
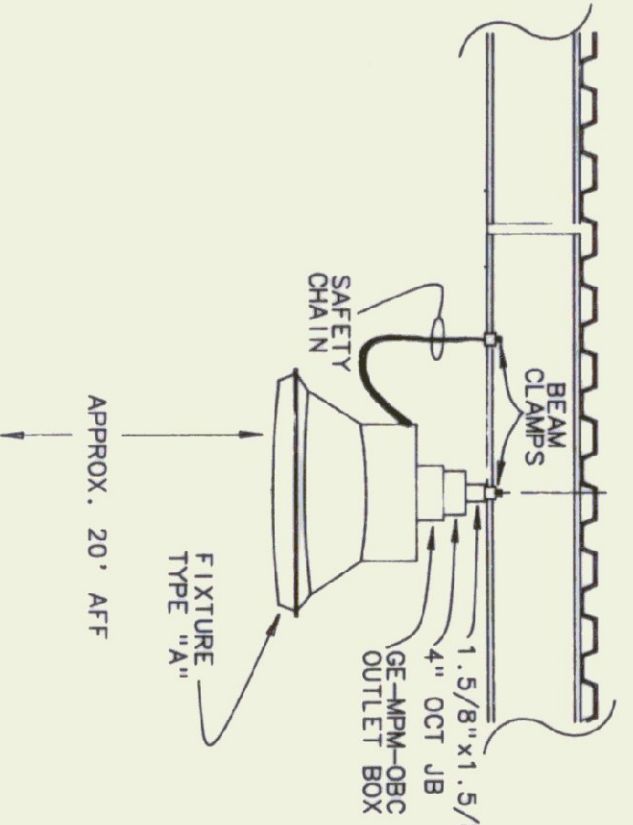
FLOOR PLAN

SCALE: 1/8"=1'-0"



TYPE "A" FIXTURE MOUNTING DETAIL

NO SCALE



**Pearson & Associates**  
 MECHANICAL & ELECTRICAL ENGINEERS  
 P.O. BOX 610 STOWE, VERMONT 05672  
 (802) 253-9607

DATE:	SCALE:	REVISIONS:	DWG. NO.
DRAWN BY:	AS SHOWN	CAD FILE:	ME-1
APPROVED BY:	ESF	P-FA-ME1	
STATE OF VERMONT DEPARTMENT OF STATE BUILDINGS AGENCY OF ADMINISTRATION VERMONT		NEW AIRPORT HANGER FRANKLIN COUNTY AIRPORT MECHANICAL / ELECTRICAL PLANS & DETAILS	
MONTPELLIER		VERMONT	