

CIRCULATOR PUMP SCHEDULE											PLAN SYMBOL
No.	MANUFACTURER	SERIES	MODEL	MIN. GPM	HEAD (FT. HD.)	MOTOR				REMARKS	
						HP	VOLT	PH	RPM		
P-1A	TACO	00	0011	6.5	24	1/8	115	1	3250	HEADER 1A PUMP	
P-1B	TACO	00	0011	4.5	20	1/8	115	1	3250	HEADER 2 PUMP	
P-2	TACO	00	0014	1.0	20	1/8	115	1	3250	HEADER 1B PUMP	
P-3	TACO	00	0011	-	-	1/8	115	1	3250	BOILER PUMP, NOTE 1	
P-4	TACO	00	0010	12.0	10	1/8	115	1	3250	SYSTEM PUMP	
P-5	TACO	00	0011	7.0	18	1/8	115	1	3250	DOM. HOT WATER PUMP	

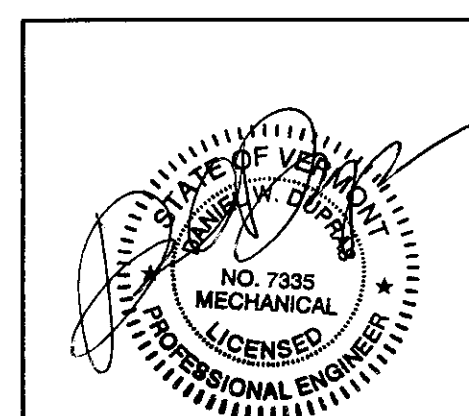
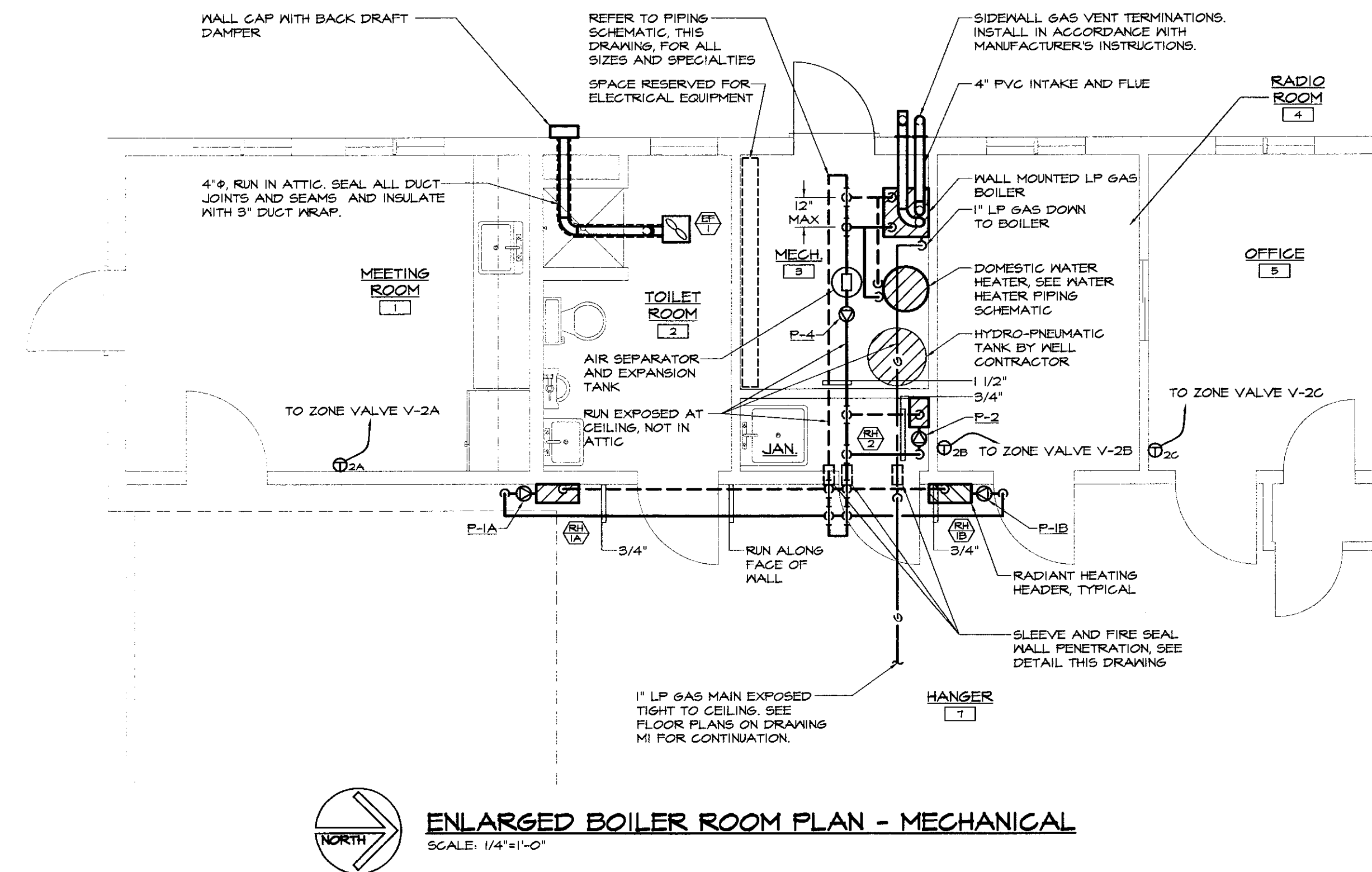
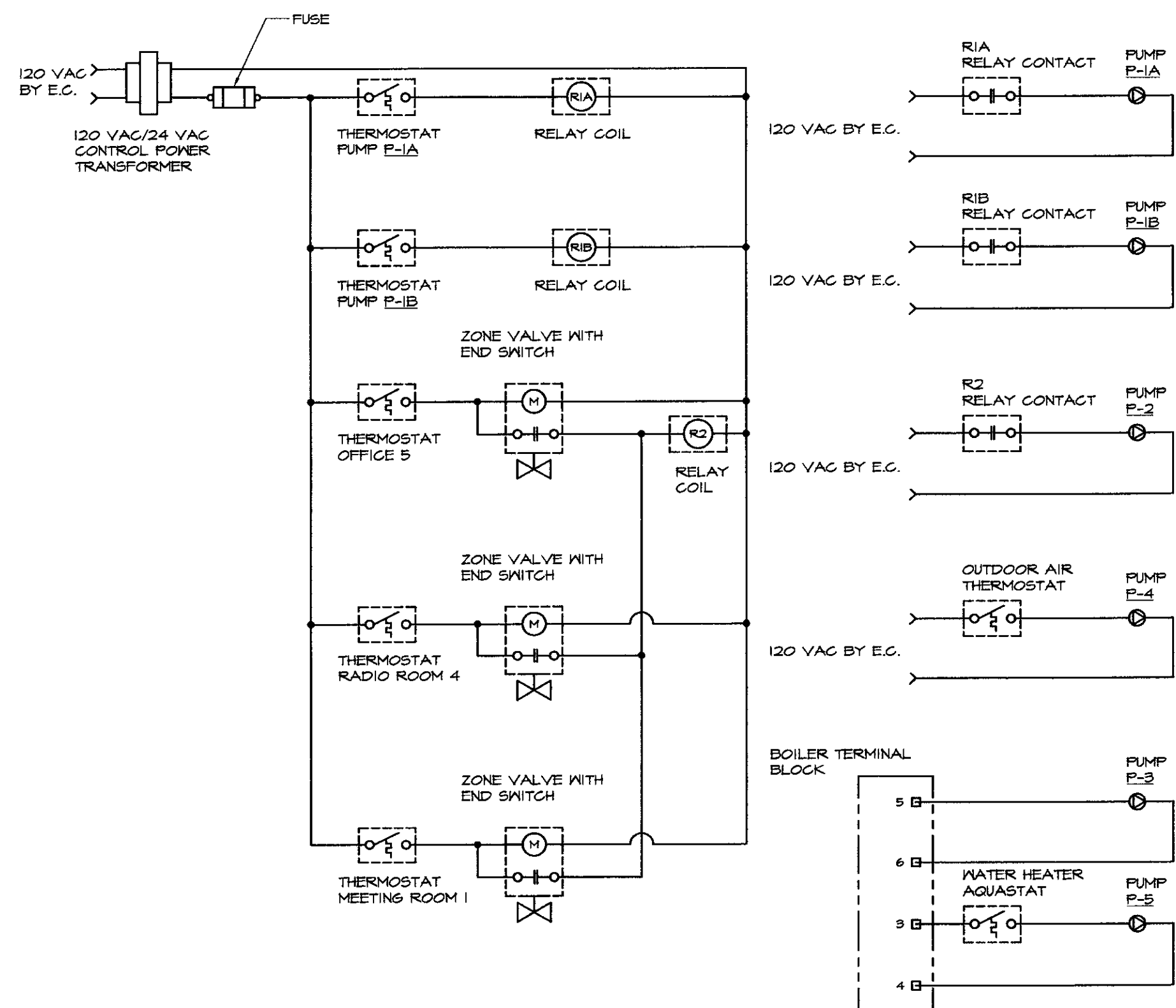
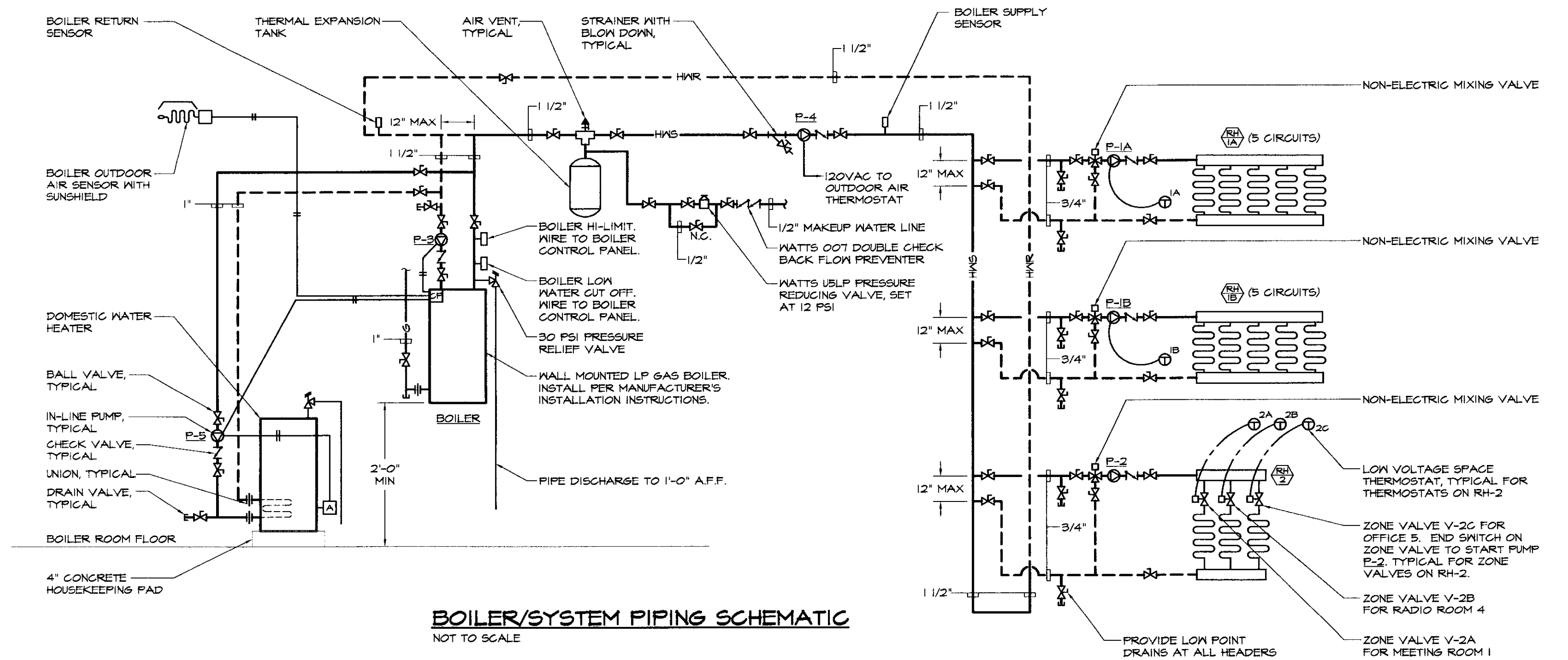
NOTES:
1) PUMP PROVIDED WITH BOILER AND SHIPPED LOOSE FOR FIELD INSTALLATION.

EXHAUST FAN SCHEDULE											PLAN SYMBOL
No.	MANUFACTURER	MODEL	CFM	E.S.P.	TYPE	RPM	MODEL			REMARKS	
							H.P.	VOLT	PH		
EF-1	GREENECK	SP-B150	155	0.125	CEILING	1050				NOTE 2	
EF-2	GREENECK	SB-2H24-5	3500	0.30	SIDEMALL	961	1/2	115	1	NOTE 1	

NOTES:
1) PROVIDE WALL SLEEVE, LOW LEAKAGE BACKDRAFT DAMPER, EXPLOSION PROOF MOTOR, SPARK PROOF FAN BLADE, OSHA SIDE MOTOR, GUARD AND WEATHERHOOD WITH BIRDSCREEN WEATHERHOOD TO BE PROVIDED WITH A BAKED ENAMEL FINISH, COLOR SELECTED BY ARCHITECT.
2) PROVIDE WALL GAP WITH BACKDRAFT DAMPER.

LOUVER SCHEDULE										PLAN SYMBOL
No.	MANUFACTURER	SERIES	MODEL	SIZE	AIR PAT.	DAMPER	FINISH	REMARKS		
L1	RUSKIN	ELF	ELF-5TSDX	48" x 36"	INTAKE	-	B.E.	NOTE 1		

NOTES:
1) COORDINATE EXACT WIDTH TO MATCH WINDOW ABOVE.
2) PROVIDE GALVANIZED BIRDSCREEN.
3) COLOR OF LOUVER TO BE SELECTED BY ARCHITECT.



NO.	ISSUED FOR	DATE
1	BIDDING & CONSTRUCTION	04/19/05



HEATING, VENTILATION, & AIR CONDITIONING,
PLUMBING, FIRE PROTECTION, & ELECTRICAL

CHARLES F. LANE, P.E.
DANIEL W. DUPRAS, P.E.

51 KILLINGTON AVENUE,
RUTLAND, VERMONT 05701
TELEPHONE: (802)747-3346
FAX/MODEM: (802)747-3356

ENLARGED BOILER ROOM PLAN - MECHANICAL MECHANICAL DETAILS & SCHEDULES					
NEW HANGER CIVIL AIR PATROL CALEDONIA COUNTY AIRPORT LYNDONVILLE, VT					
APPR:	DWD	DRAWN:	TDL	SCALE:	AS NOTED
PROJ. NO.	0912-14				M 2