

**EROSION CONTROL REQUIREMENTS**

**PART 1 - GENERAL**

**1.01 SUMMARY**

A. The work under this section includes but is not limited to providing all labor, equipment and materials for the installation of all required site related erosion control measures. If not otherwise directed on the plans, erosion control shall be in strict conformity with the latest revision of the "Vermont Handbook for Soil Erosion and Sediment Control on Construction Sites".

**1.02 GENERAL NOTES**

- A. The discharge of sediment laden water from the project site is prohibited. All discharged water from dewatering operations shall discharge into a temporary sedimentation basin.
- B. Contractor shall install all erosion control measures as depicted on plans and details or as recommended by the Vermont Agency of Natural Resources, or Soil Conservation Service, prior to any construction. Contractor shall also be responsible for inspecting and maintaining all erosion control measures until project is completed.
- C. Contractor shall also limit the soil disturbance and seeding application dates to between May 1st and October 15th. If soil disturbance occurs later than October 15th and prior to May 1st, winter erosion control measures will be necessary. Contractor shall consult with the Engineer for additional site specific winter erosion control measures.
- D. All stockpile material (topsoil, borrow, etc.) will have a hay bale dike or silt fence constructed around the perimeter. Seed and mulch stockpiled material as soon as possible to prevent soil erosion and sedimentation off site. Locate stockpiles on the uphill side of the disturbed areas, if possible. During windy conditions, stockpiled material shall be covered or watered appropriately to prevent wind erosion.
- E. Slopes greater than 1:3 shall have erosion control netting installed to stabilize the slope and reduce the erosion potential. Install netting over mulched slopes so that all parts are in contact with the soil and mulch. Pin netting with wire staples 3' o.c. to ensure full bonding with soil surface.
- F. Install stone check dams in grass-lined swales 50 feet on center to prevent silt from washing into the drainage system during construction. Check dams shall be removed when vegetation is established.
- G. Control dust through the application of calcium chloride or water. An average application of one pound of calcium chloride per square yard of exposed area should be considered for each treatment. The exact number of applications and amount of dust controller shall be based upon field and weather conditions. It shall be spread in such manner and by such devices that uniform distribution is attained over the entire area on which it is ordered placed.

**PART 2 - PRODUCTS**

**2.01 EROSION CONTROL NETTING**

A. Jute netting shall consist of undyed and unbleached yarn woven into a uniform open plain weave mesh.

**2.02 EROSION CONTROL MATTING**

A. Where required on the plans or where directed by the Engineer, erosion control blankets (matting) shall be North American Green C125 for swales, and SC150 for slope stabilization, or approved equal.

**2.03 FILTER FABRIC**

A. When filter fabric is required, it shall conform to the requirements of Miraf 140NS or approved equivalent.

**2.04 CALCIUM CHLORIDE**

A. Calcium chloride shall conform to the requirements of AASHTO M 144. Either regular flake calcium chloride, Type 1 or concentrated flake, pellet or other granular calcium chloride, Type 2, may be used.

**2.05 WATER**

A. All water used shall be clean and free of harmful amounts of oil, salt, acids, alkalis, sugar, organic matter and other substances injurious to the finished product, plant life or the establishment of vegetation.

**PART 3 - EXECUTION**

**3.01 STONE CHECK DAM AND CATCH BASIN INLET PROTECTION**

- A. Stone check dams to be constructed as outlined in the "STONE CHECK DAM STRUCTURE" detail and spaced as indicated or as instructed by the Engineer. Once vegetation is established and the check dams are no longer needed for erosion control, they shall be removed.
- B. Catch Basin Inlet Protection to be constructed as outlined in the "CATCH BASIN INLET PROTECTION (WITH METAL STAKES)" detail and placed as indicated or as instructed by the Engineer. Once vegetation is established and the check dams are no longer needed for erosion control, they shall be removed.

**3.02 SILT FENCES**

- A. The silt fences shall be constructed in accordance with the construction detail. The fence shall generally be placed 10 feet from the toe of the slope or as shown on the plans. The ends of the fence shall be placed uphill to form a horseshoe shape to trap all runoff.
- B. The silt fences shall be inspected periodically for damage or build-up of sediments. All damaged fences shall be repaired or replaced. Sediment deposits shall be removed from the fence as they build up and be placed in an area where there is no danger of further erosion.

**3.03 EROSION MATTING**

A. Erosion matting shall be placed on all grass-lined ditches with profile grades exceeding 5.0% and shall be placed and maintained in accordance with the Vermont Agency of Transportation Standard Specifications Sections 654 and 755.07.

**3.04 RESTORATION**

A. As soon as construction is completed in a given area, it shall be topsoiled, seeded, fertilized and mulched as specified in the Permanent Seeding section.

**3.05 GRASS-LINED DITCHES**

A. All ditches that are not stone-lined shall be topsoiled, seeded, fertilized and mulched. Any area which shows signs of erosion shall be reseeded immediately and maintained until permanent vegetation is established.

**3.06 TEMPORARY DIVERSION DITCH**

A. Some diversion ditches will be temporary in nature with shallow slopes and therefore will not need to be stabilized with stone or seeding. These ditches will act as infiltrative areas and will have stone check dams to minimize the move of fine grained materials.

**3.07 MAINTENANCE**

- A. All erosion control measures shall be inspected weekly and repaired and/or replaced as needed.
- B. All erosion control measures shall be inspected after periods of heavy rain.
- C. The stabilized road entrance shall be top dressed with additional stone should the existing stone become clogged with sediment.
- D. Hay or straw mulch is subject to wind action. Mulch may require anchoring as the weather conditions warrant.

**3.08 WINTER CONSTRUCTION**

- A. If, due to the project schedule, construction during the winter months is necessary, the Contractor shall follow the winter construction procedures outlined in the "Vermont Handbook for Soil Erosion and Sediment Control on Construction Sites".
  1. Minimize disturbance between October and May.
  2. All erosion control measures shall be in place prior to the ground freezing.
  3. Mulch shall be applied to all disturbed areas at a rate of 90 pounds per 1,000 square feet. The Contractor shall maintain all areas that are mulched until permanent vegetation can be established.

**PART 1 - GENERAL**

**1.01 SUMMARY**

A. Section includes:
 

1. Furnishing all labor, materials and equipment to complete all seeding required to provide temporary protection against wind or water erosion.

**1.02 GENERAL NOTES**

A. Adequate seed bed preparation, use of quality seed, and timely planting are required to achieve a good stand of vegetation to control erosion.

**PART 2 - PRODUCTS**

**2.01 GENERAL**

A. At a minimum, all products shall meet the requirements of the Permanent Seeding Section.

**PART 3 - EXECUTION**

**3.01 SEEDING CONDITIONS**

A. All essential grading and all temporary structures, such as diversions, dams, ditches, and drains needed to prevent gullying and reduce siltation, should be completed prior to seeding.

**3.02 SEED AND SEEDING**

A. Seed and seeding rates may be selected from the table below. The selection will be based on the time of year the seeding is to be made and the length of time the vegetation is to afford the protection. The seed should be spread uniformly over the area. After seeding, the soil should be firmed by rolling or packing. Where rolling or packing is not feasible, the seed should be covered lightly by raking, disking, or dragging.

B. Plant Selection and Seeding Rates:

Species	Per Acre	Per 1000 Sq. Ft.	Remarks
Annual Ryegrass	40 lbs.	1 lb.	Grows quickly, but is of short duration. Use where appearances are important. Seed early spring and/or between August 15 and September 15. Cover the seed with no more than 0.25 inch of soil.
Perennial Ryegrass	30 lbs.	0.7 lbs.	Good cover which is longer lasting than annual ryegrass. Seed between April 1 and June 1 and/or between August 15 and September 15. Mulching will allow seeding throughout the growing season. Seed to a depth of approximately .5 inch.

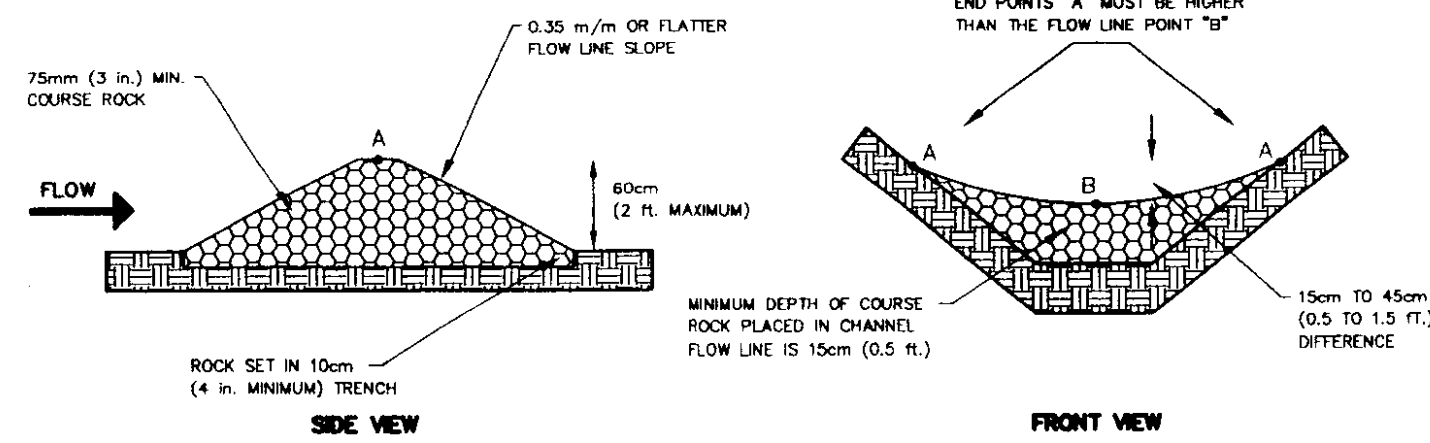
**3.04 MULCHING**

A. Where it is impracticable to incorporate fertilizer and seed into moist soil, the seeded area should be mulched to facilitate germination.

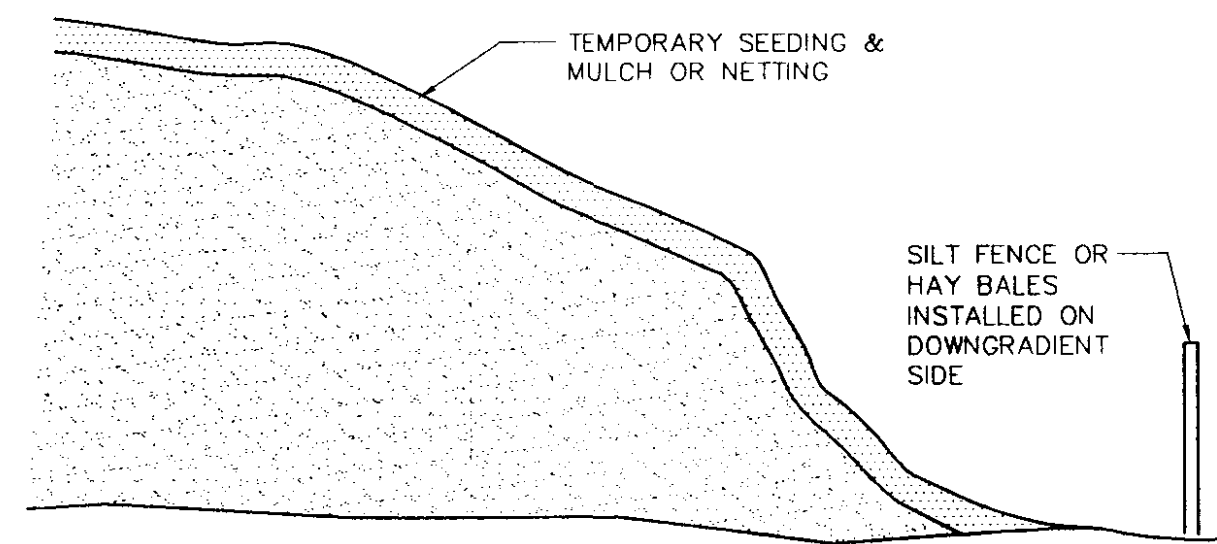
**3.05 MAINTENANCE**

- A. If the seeding fails to grow, it may need to be re-established to provide adequate erosion control.
- B. If weeds become a problem, they may need to be controlled by mowing.

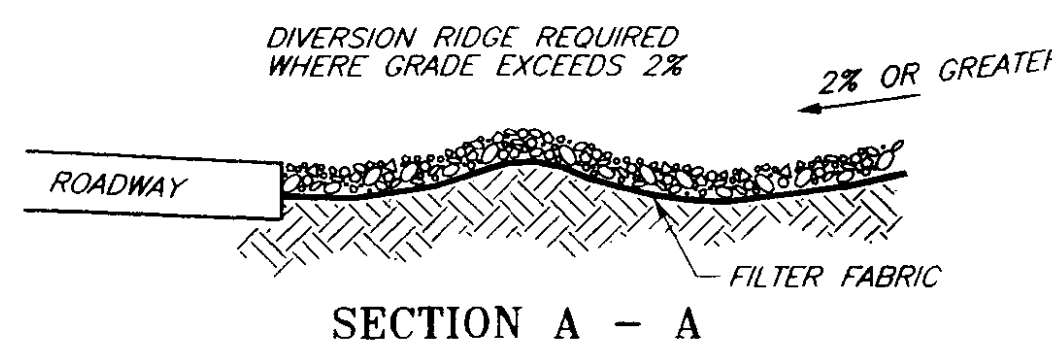
D=50 OF ROCK (MM)	DOWNSTREAM FLOWLINE SLOPE OF STRUCTURE (m/m)
15	0.35
20	0.30
25	0.25
30	0.20
35	0.15
40	0.10
50	0.05
60	0.05
80	0.05
100	0.05



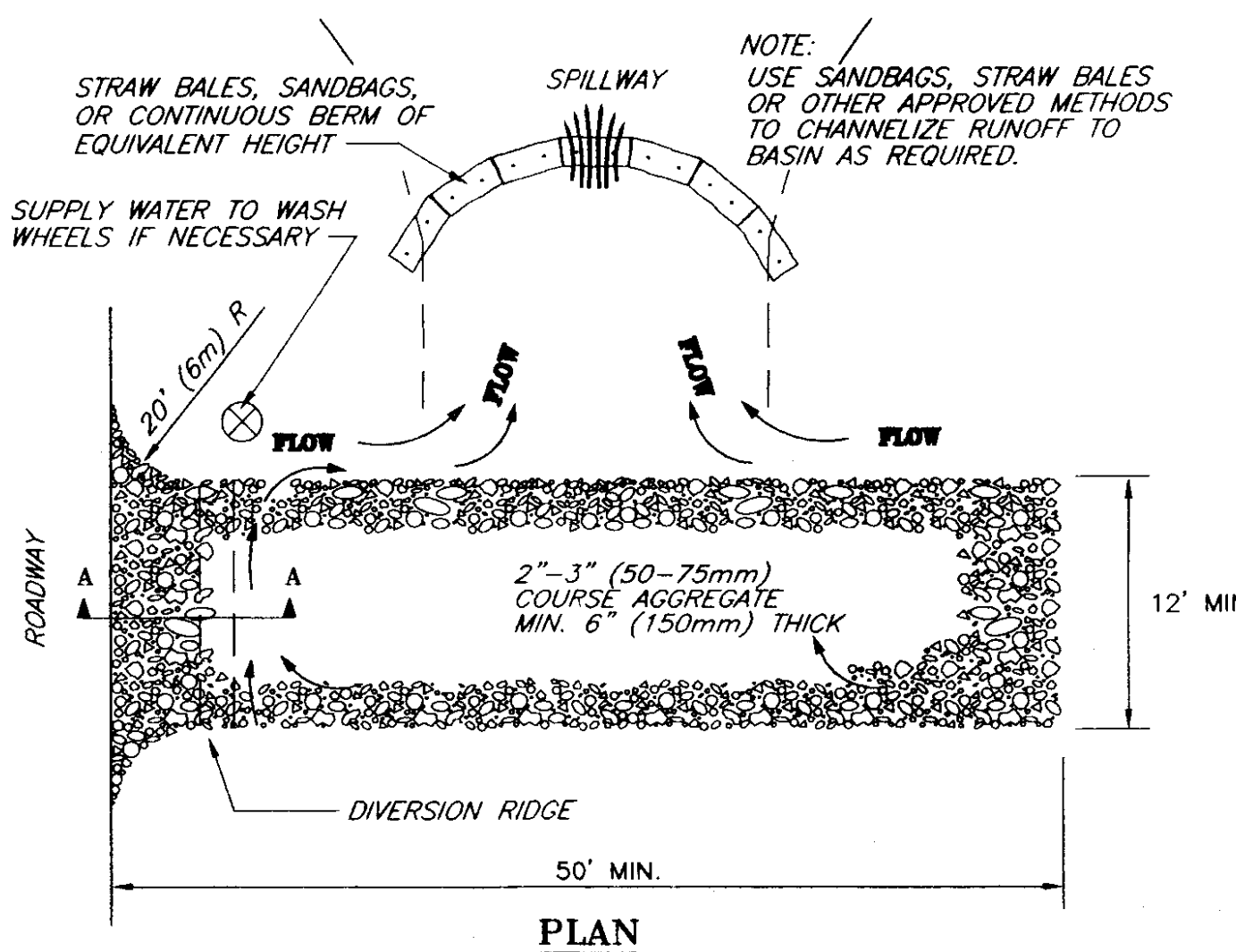
**STONE CHECK DAM STRUCTURE**  
N.T.S.



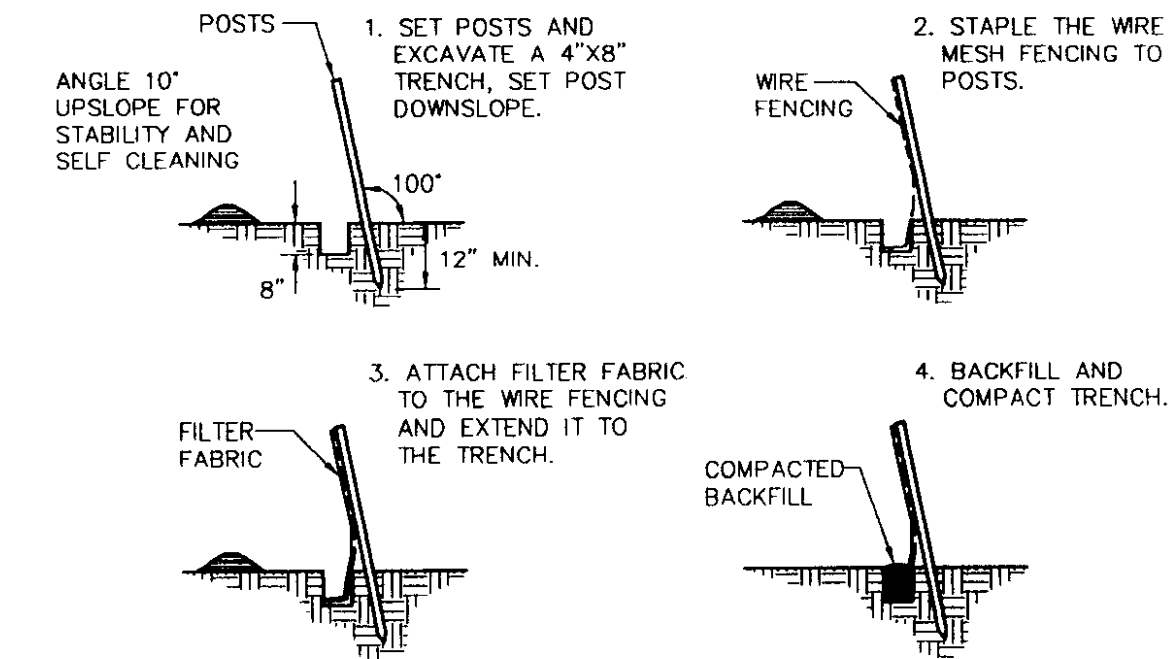
**TEMPORARY SEEDING**  
N.T.S.



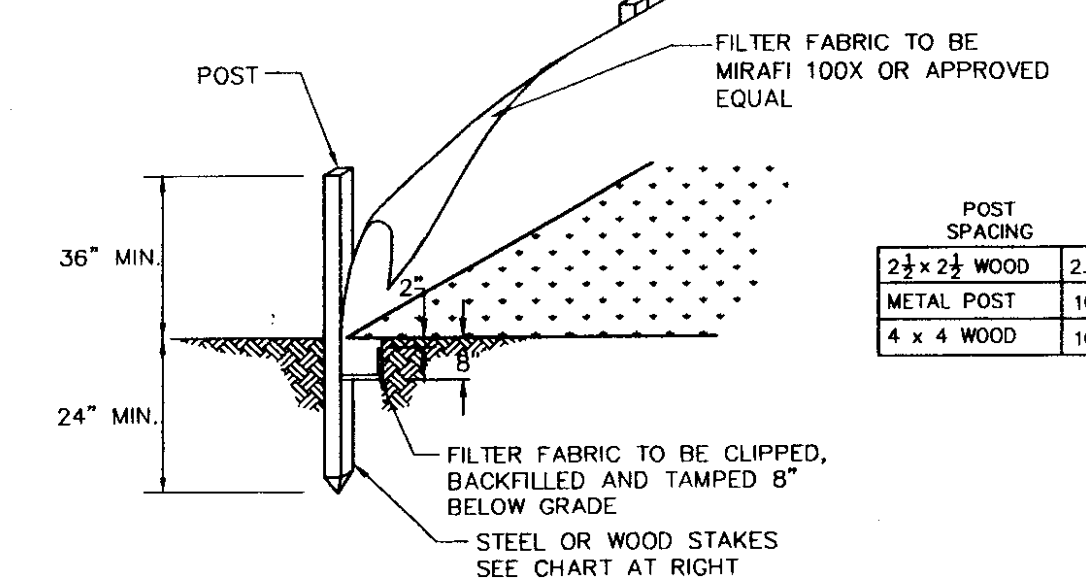
**TEMPORARY STOCKPILE DETAIL**  
N.T.S.



**STABILIZED CONSTRUCTION ENTRANCE**  
N.T.S.

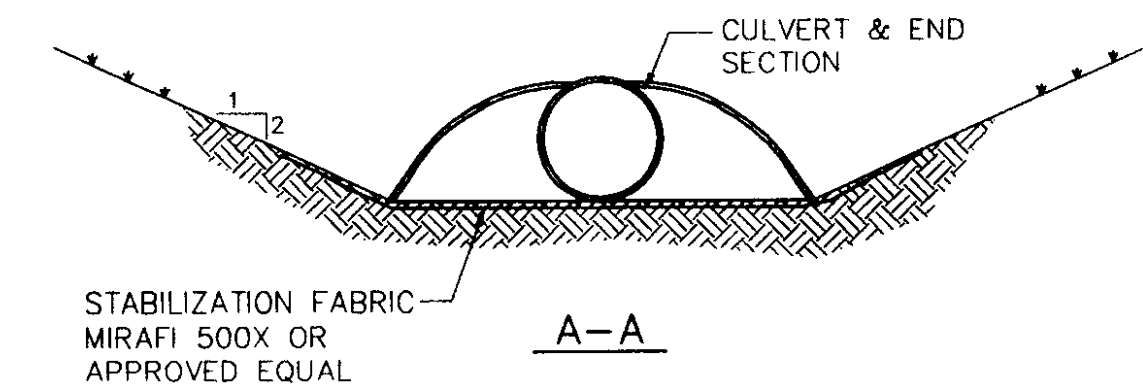


**SILT FENCE CONSTRUCTION DETAIL**  
N.T.S.

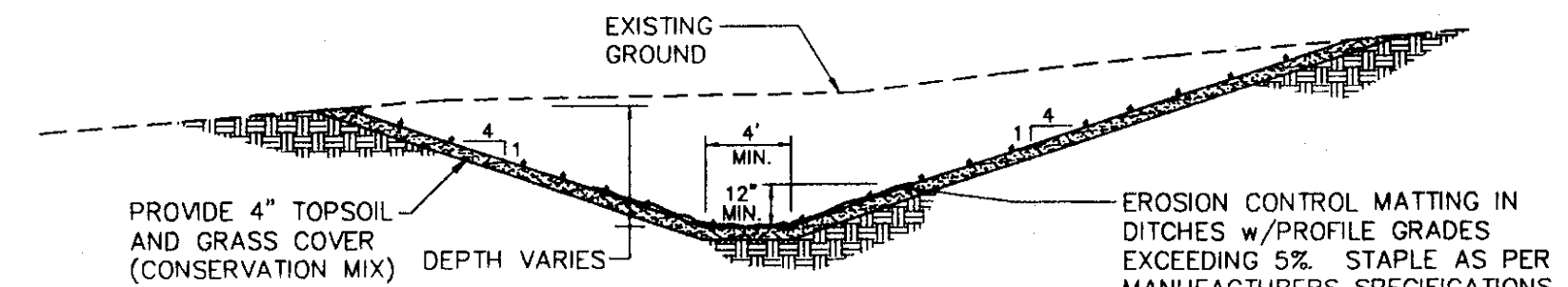


1. INSTALL MIRAFI ENVIROFENCE, OR APPROVED EQUAL OR AS DETAILED HEREIN.
2. INSTALL SILT FENCES AT TOES OF ALL UNPROTECTED SLOPES AND AS PARALLEL TO CONTOURS AS POSSIBLE. THIS INCLUDES ALL FILLED OR UNPROTECTED SLOPES CREATED DURING CONSTRUCTION, NOT NECESSARILY REFLECTED ON THE FINAL PLANS. CURVE THE ENDS OF THE FENCE UP INTO THE SLOPE. REMOVE SEDIMENT WHEN ACCUMULATED TO HALF THE HEIGHT OF THE FENCE. SILT FENCES ARE TO BE MAINTAINED UNTIL SLOPES ARE STABILIZED.
3. WHEN TWO SECTIONS OF FILTER CLOTH ADJOIN EACH OTHER, THEY SHALL BE OVERLAPPED BY 6", FOLDED AND STAPLED.

**SILT FENCE DETAIL**  
N.T.S.



**END SECTION DETAIL**  
N.T.S.



**GRASS LINED DITCH**  
N.T.S.

SITE ENGINEER:



**CIVIL ENGINEERING ASSOCIATES, INC.**  
P.O. BOX 485 SHELburne, VT 05482  
802-985-2323 FAX: 802-985-2271 web: www.coea-vt.com

COPYRIGHT © 2002 - ALL RIGHTS RESERVED

DRAWN

PJM

CHECKED

BCE

APPROVED

BCE

OWNER:



**STATE OF VERMONT**  
VERMONT AGENCY OF TRANSPORTATION  
MONTPELIER, VERMONT

PROJECT:

**CALEDONIA COUNTY STATE AIRPORT**

PUDDING HILL ROAD  
LYNDON, VERMONT

DATE	CHECKED	REVISION
4/6/05	BCE	MINOR TEXT REVISION

**EROSION CONTROL NOTES and DETAILS**

DATE

SEPT., 2004

SCALE

AS SHOWN

PROJ. NO.

03146.03

DRAWING NUMBER

**C3.1**