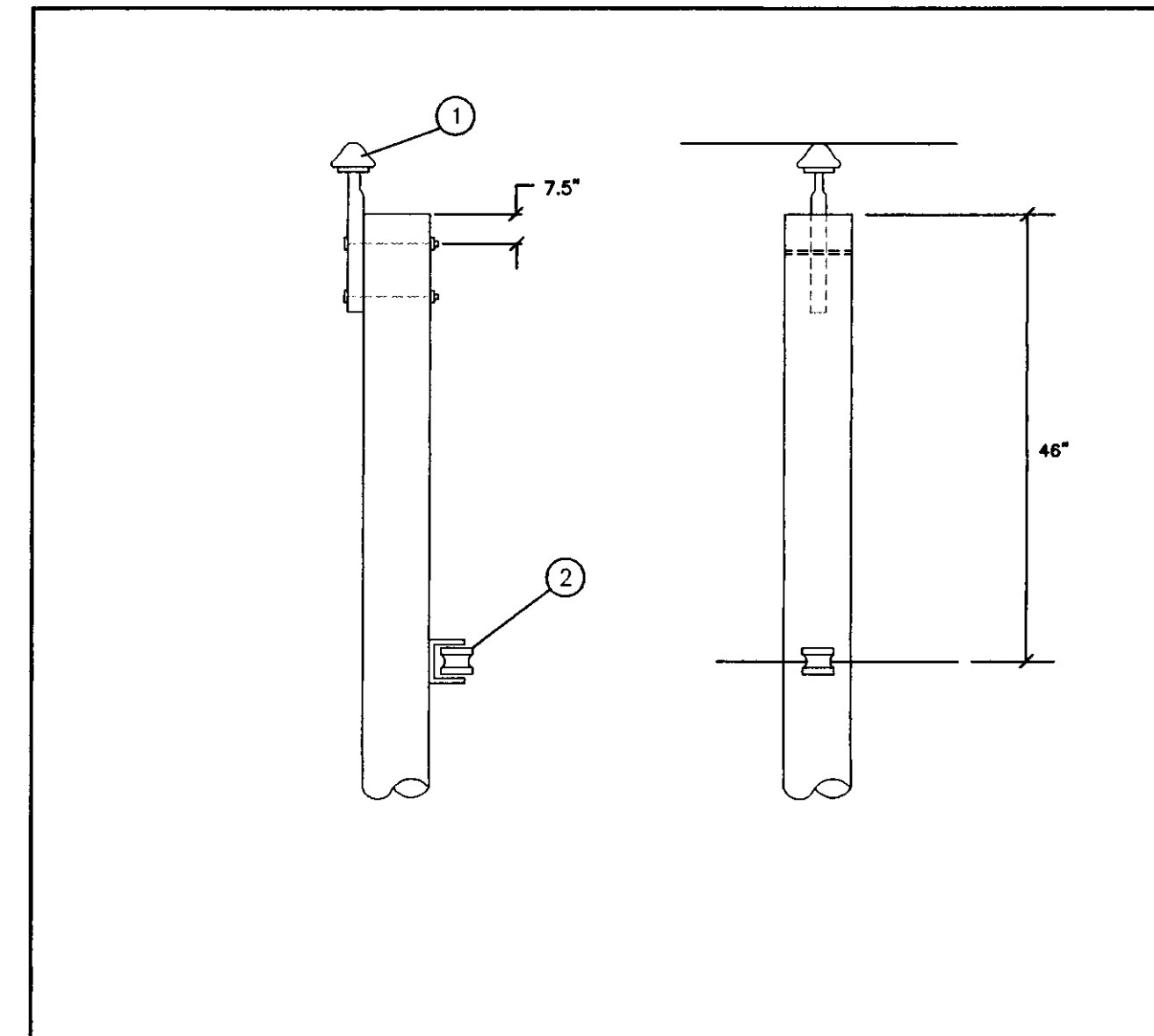


NOT TO SCALE

ITEM	DESCRIPTION	C.U. No.	REQ.	ITEM	DESCRIPTION	C.U. No.	REQ.
1	EPOXY DEADEND ASSEMBLY	EPOXY D.E.	1	8			
2	NEUTRAL DEADEND	D.E. NEUT.	1	9			
3	GUY, 7/16" ASSEMBLY	GUY 7/16"	1	10			
4	ANCHOR 10" HELIX x 3/4" ROD	ANCHOR	1	11			
5				12			
6				13			
7				14			

DISTRIBUTION STANDARDS **SINGLE-PHASE DEADEND**

APPROVED: _____ DATE: _____ **C-60.5**

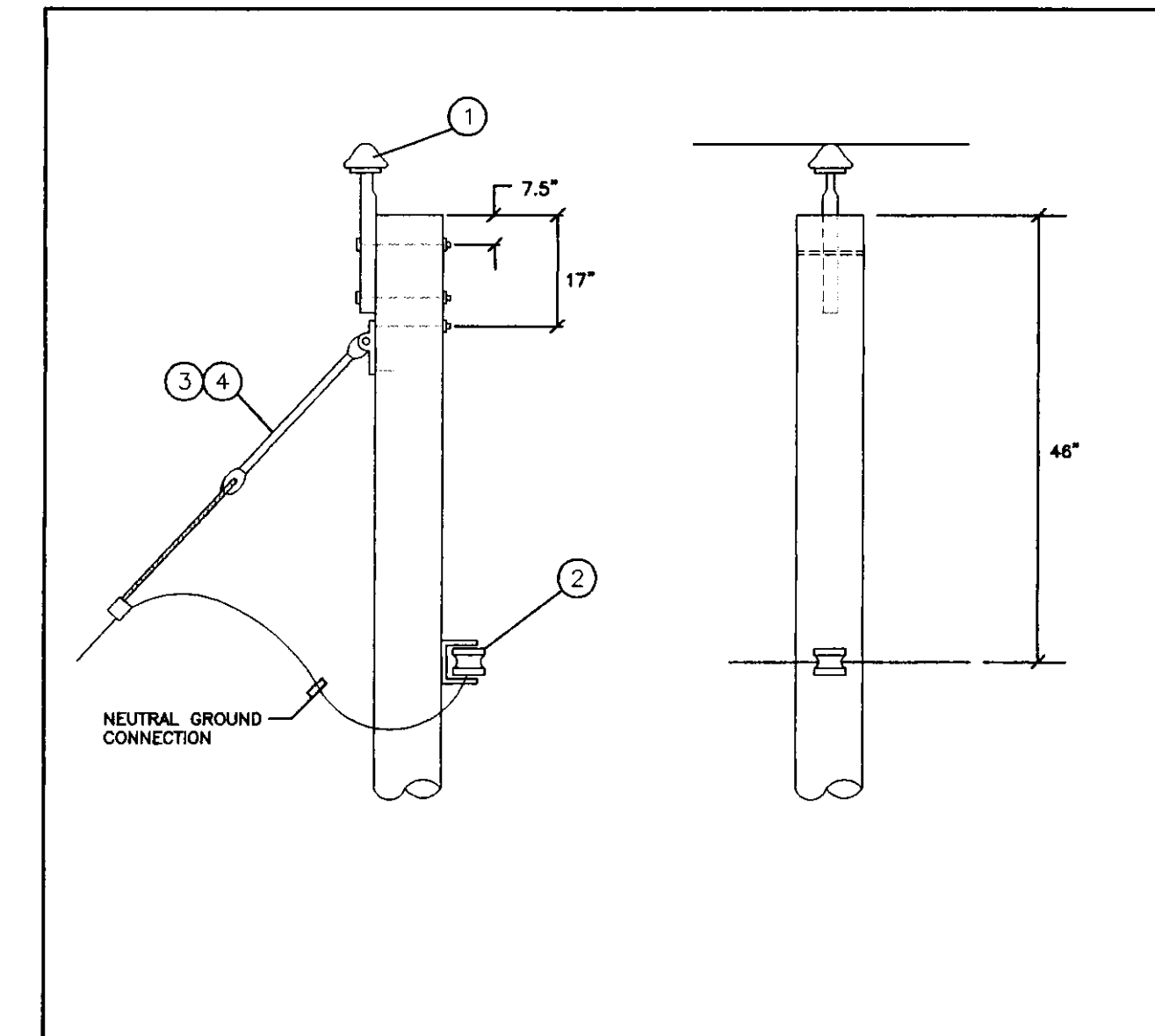


NOT TO SCALE

ITEM	DESCRIPTION	C.U. No.	REQ.	ITEM	DESCRIPTION	C.U. No.	REQ.
1	INSUL & POLE TOP PIN	PTP	1	8			
2	CLEVIS AND SPOOL INSUL.	CLEVIS-N.B.	2	9			
3				10			
4				11			
5				12			
6				13			
7				14			

DISTRIBUTION STANDARDS **ARMLESS CONSTRUCTION**
1-PHASE, STRAIGHT LINE
34.5 Y/15 KV

APPROVED: _____ DATE: _____ **C-61**

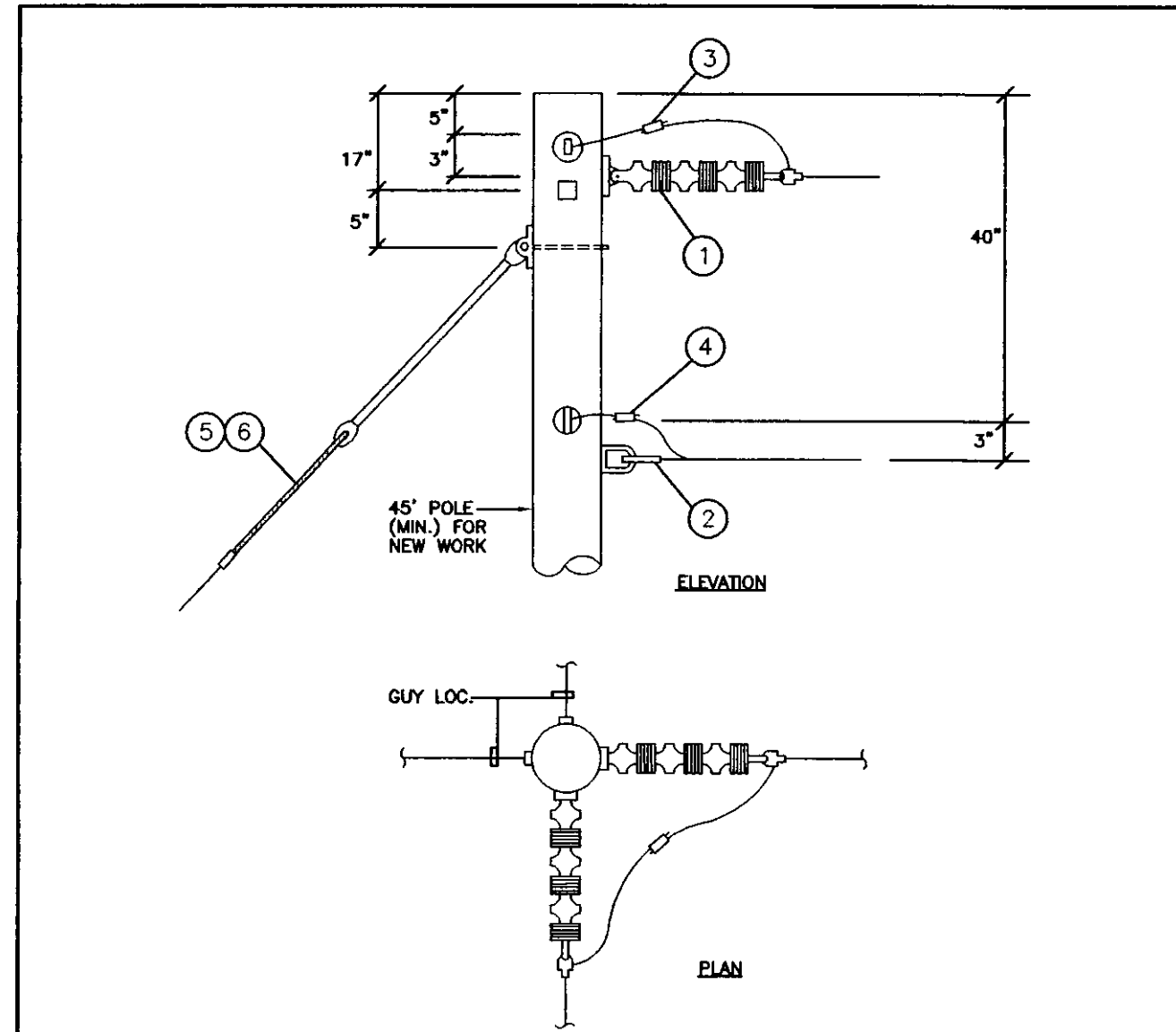


NOT TO SCALE

ITEM	DESCRIPTION	C.U. No.	REQ.	ITEM	DESCRIPTION	C.U. No.	REQ.
1	INSUL & POLE TOP PIN	PTP	1	8			
2	CLEVIS AND SPOOL INSUL.	CLEVIS-N.B.	2	9			
3	GUY ASSEMBLY, 7/16"	GUY7-16	1	10			
4	ANCHOR, 3/4" DIA. x 10" HELIX	ANCHOR	1	11			
5				12			
6				13			
7				14			

DISTRIBUTION STANDARDS **ARMLESS CONSTRUCTION**
1-PHASE, DEV'N ANGLE 2'-20'

APPROVED: _____ DATE: _____ **C-61.5**

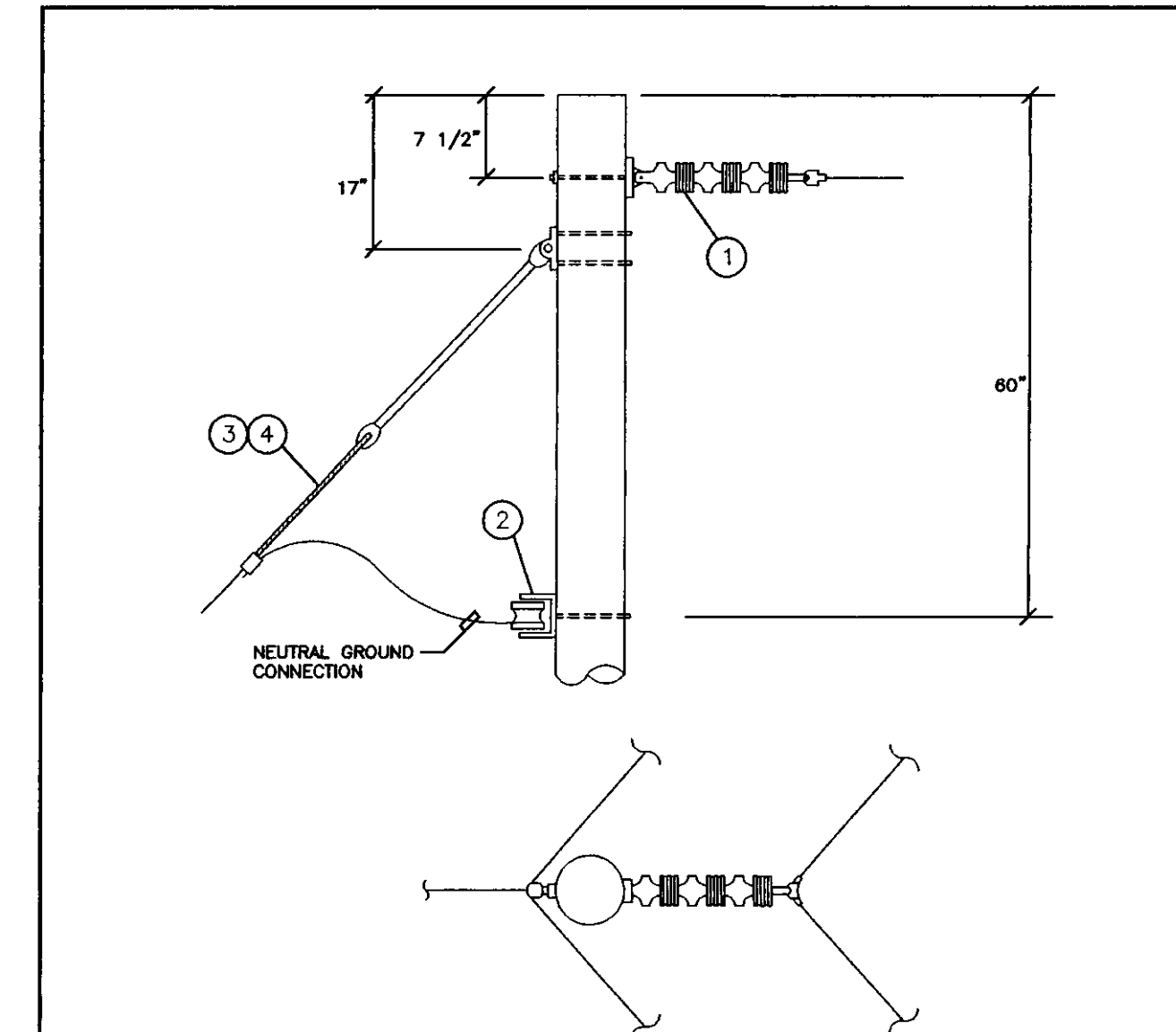


NOT TO SCALE

ITEM	DESCRIPTION	C.U. No.	REQ.	ITEM	DESCRIPTION	C.U. No.	REQ.
1	EPOXY DEADEND ASSEMBLY	EPOXY-DE	2	8			
2	NEUTRAL DEADEND	D.E.-NEUT.	2	9			
3	PHASE CONNECTOR	PH-COINL	1	10			
4	NEUTRAL CONNECTOR	NEUT-COINL	1	11			
5	GUY ASSEMBLY, 7/16"	GUY 7-16	2	12			
6	ANCHOR, 3/4" ROD X 10" HELIX	ANCHOR	2	13			
7				14			

DISTRIBUTION STANDARDS **SINGLE-PHASE DEVIATION**
ANGLE 60° TO 90°

APPROVED: _____ DATE: _____ **C-64**

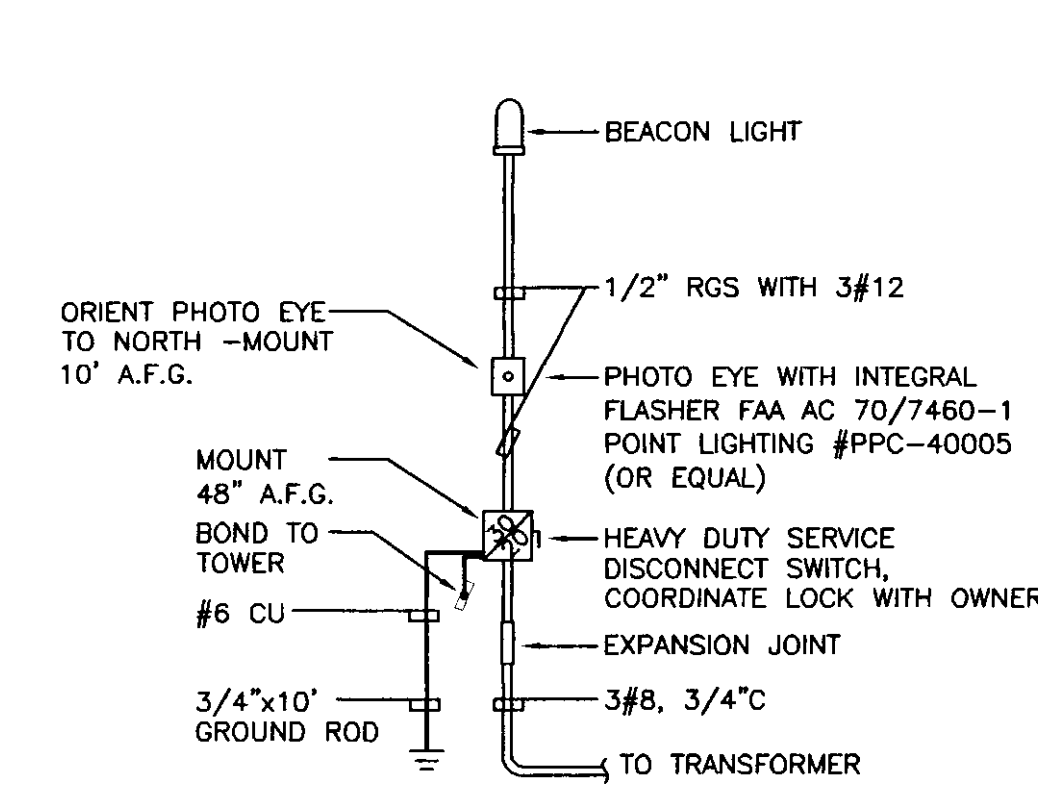


NOT TO SCALE

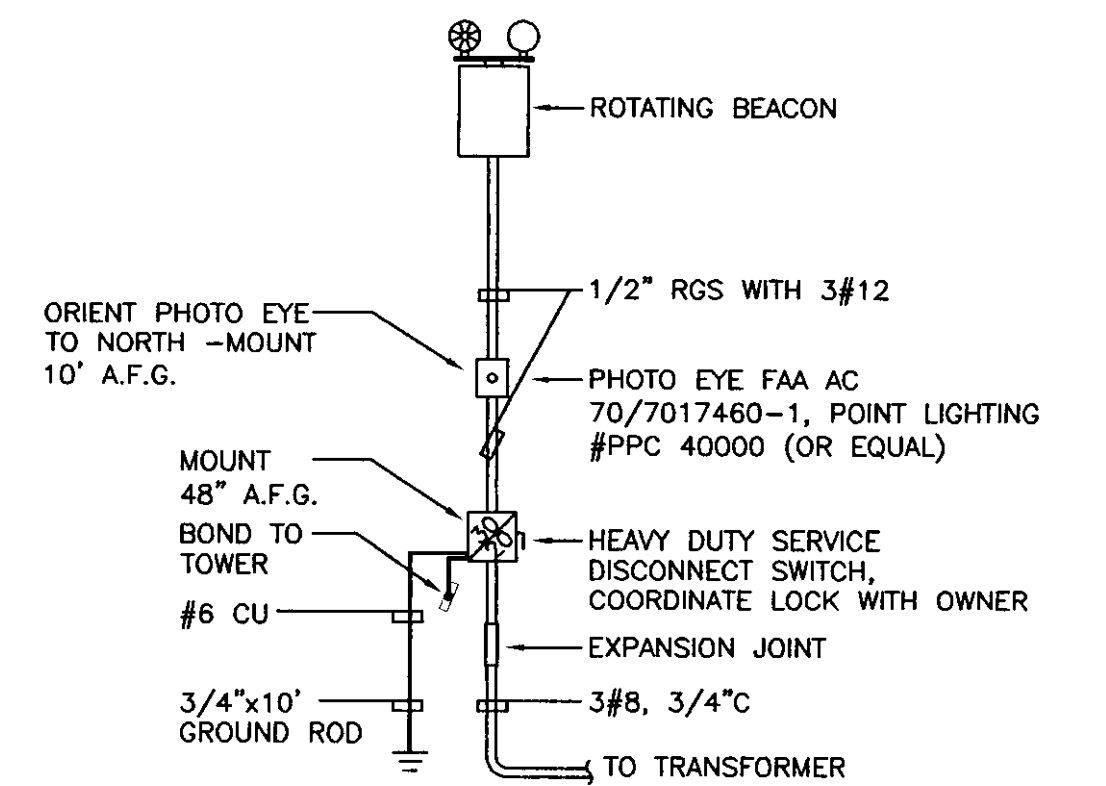
ITEM	DESCRIPTION	C.U. No.	REQ.	ITEM	DESCRIPTION	C.U. No.	REQ.
1	EPOXY DEADEND ASSEMBLY	EPOXY-DE	1	8			
2	CLEVIS & SPOOL INSUL.	CLEVIS-NB	1	9			
3	GUY ASSEMBLY, 7/16"	GUY 7-16	1	10			
4	ANCHOR, 3/4" ROD X 10" HELIX	ANCHOR	1	11			
5				12			
6				13			
7				14			

DISTRIBUTION STANDARDS **ARMLESS CONSTRUCTION**
1-PHASE, DEV'N ANGLE 20°-60°

APPROVED: _____ DATE: _____ **C-65**



1 **POWER SERVICE DETAIL - HAZARD BEACON**
NOT TO SCALE



2 **POWER SERVICE DETAIL - ROTATING BEACON**
NOT TO SCALE

I:\n17151\dwg\C171510017.dwg Mon Oct 15 09:38:05 2001

NO.	DATE	REVISIONS	BY	CK'D

DuBois & King
INC.
engineering planning management development

STATE OF VERMONT
AGENCY OF TRANSPORTATION
CALEDONIA COUNTY STATE AIRPORT
ELECTRICAL DETAILS

DRAWN BY MDL	DATE JULY 2001
CHECKED BY	PROJ. NO. N17151
PROJ. ENG. JAA	DRAW. NO. C171510017
SHEET 10 OF 13	