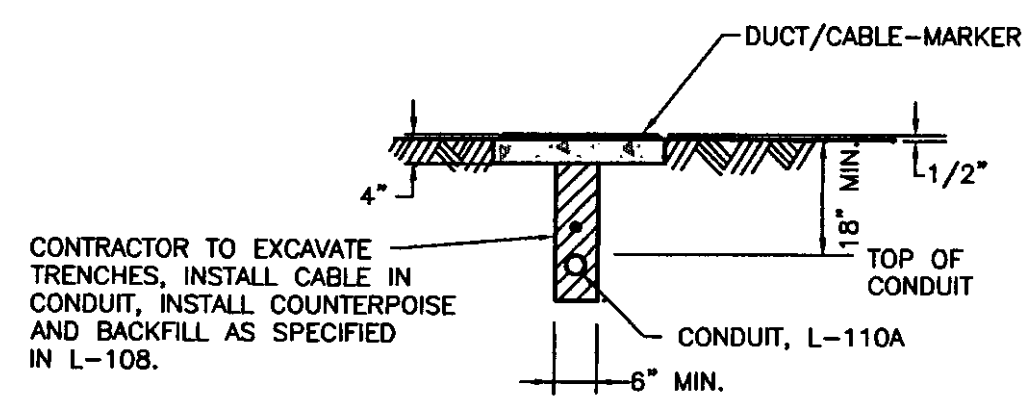
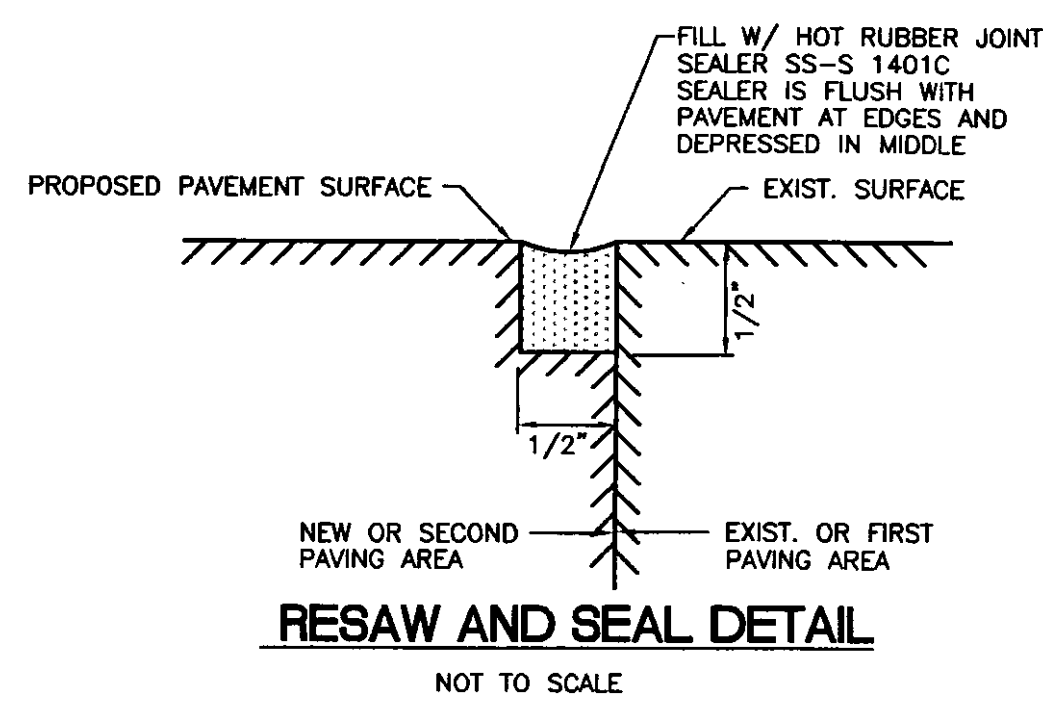


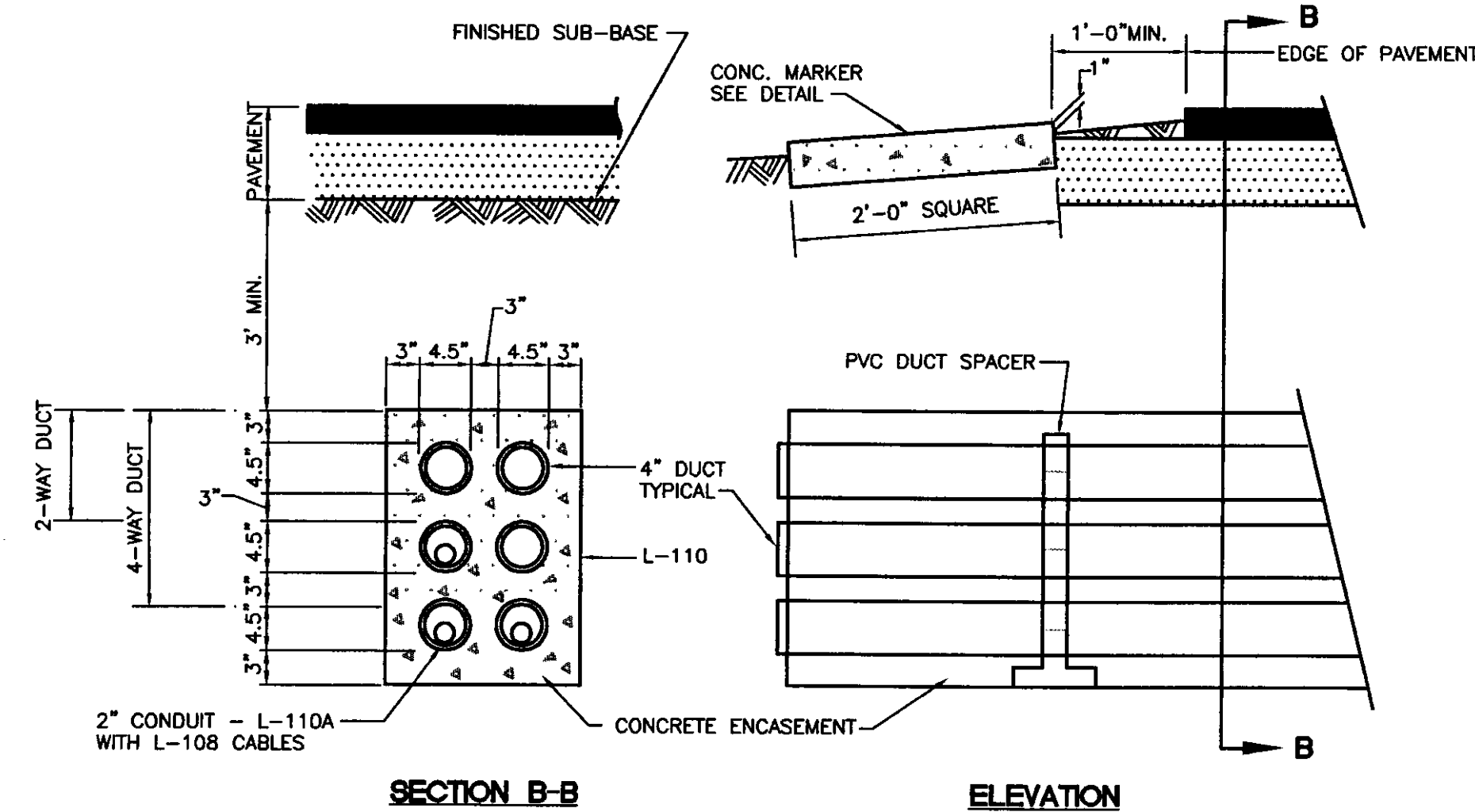
CONCRETE DUCT MARKER
(CABLE MARKERS ARE SIMILAR)



TYPICAL CABLE/DUCT-MARKER DETAIL
NOT TO SCALE

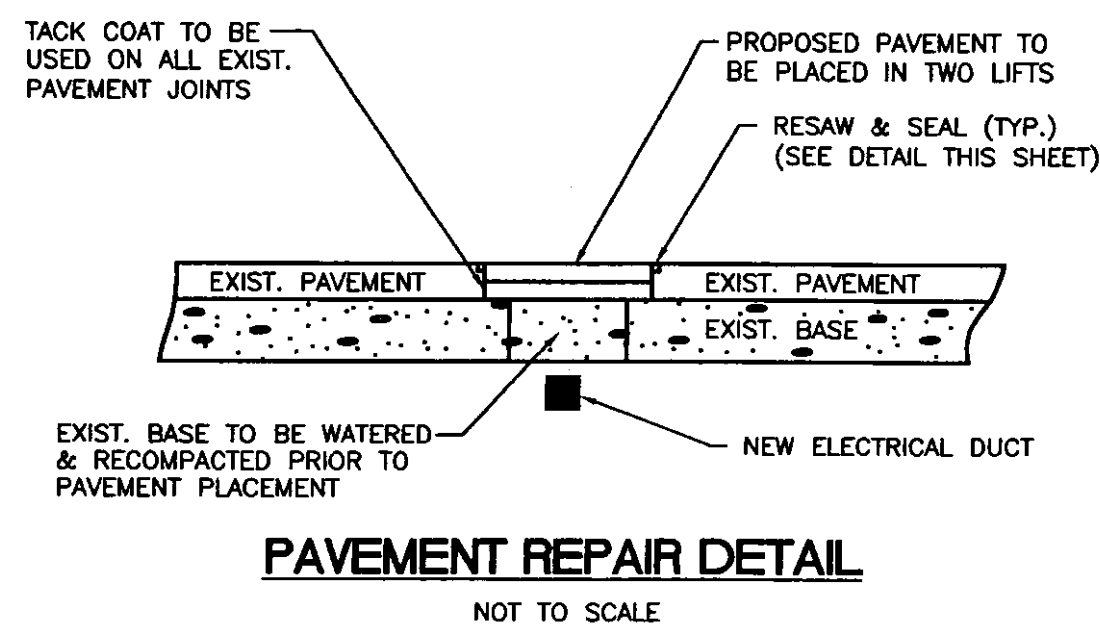


RESAW AND SEAL DETAIL
NOT TO SCALE

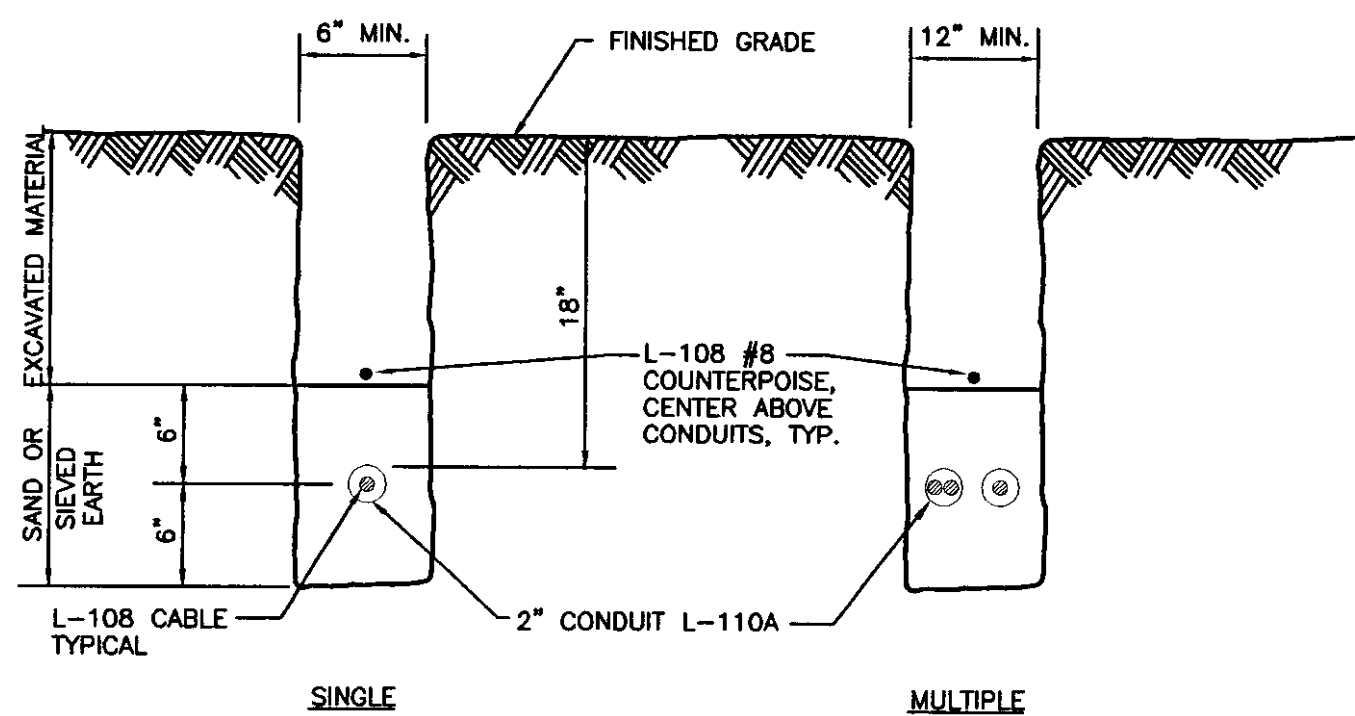


DUCT (6-WAY) AND CONCRETE MARKER DETAILS
NOT TO SCALE

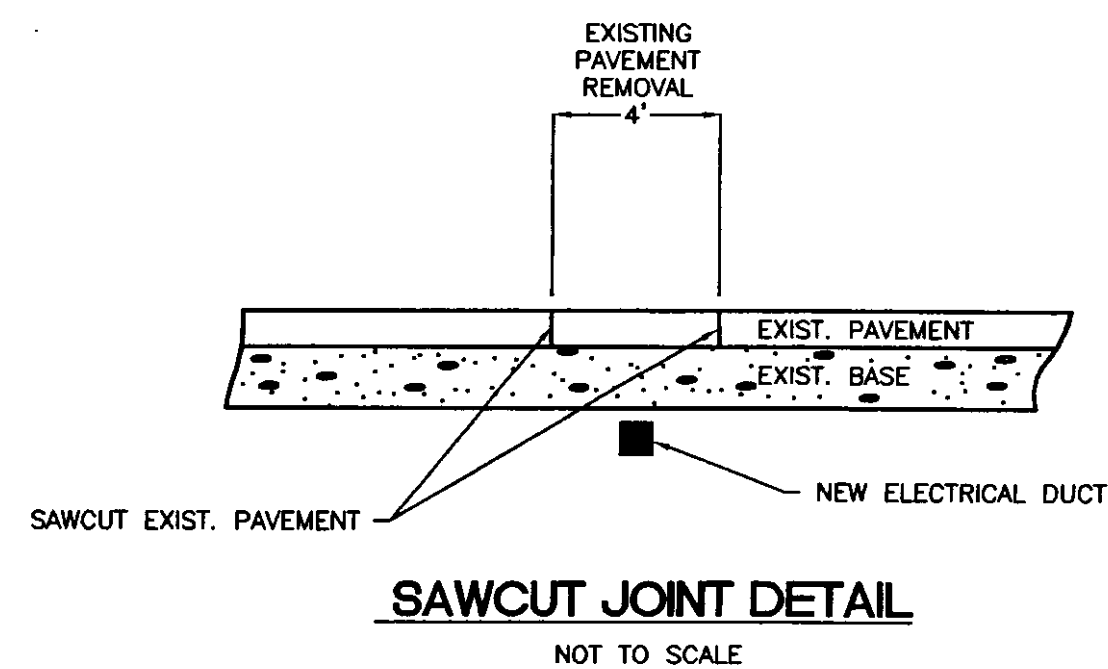
- NOTES:
1. PROVIDE PVC DUCT SPACERS AT 5'-0" ON CENTER
 2. SLOPE DUCTS 3"/100 FT. FOR DRAINAGE
 3. PROVIDE FULL NYLON PULL WIRES



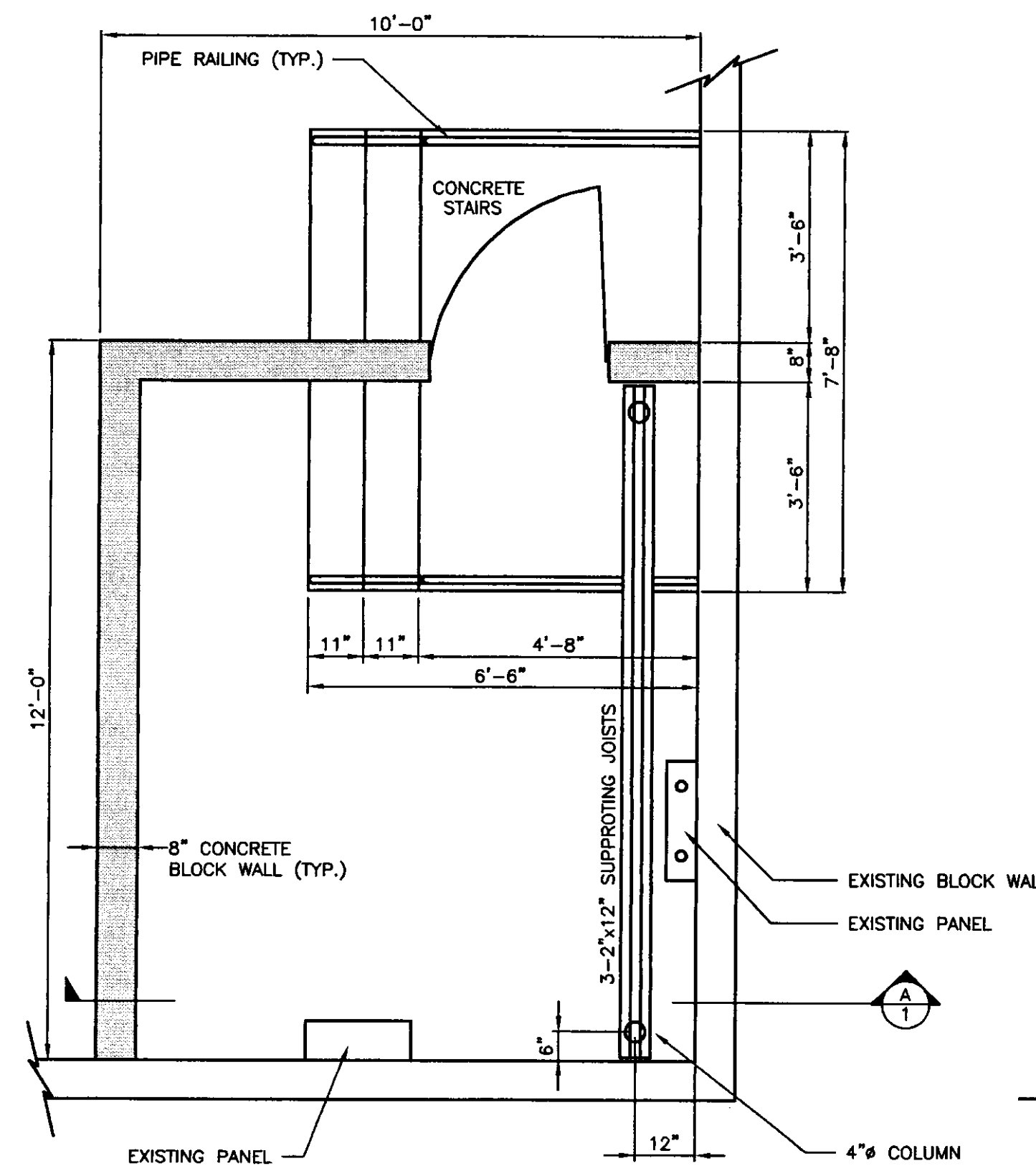
PAVEMENT REPAIR DETAIL
NOT TO SCALE



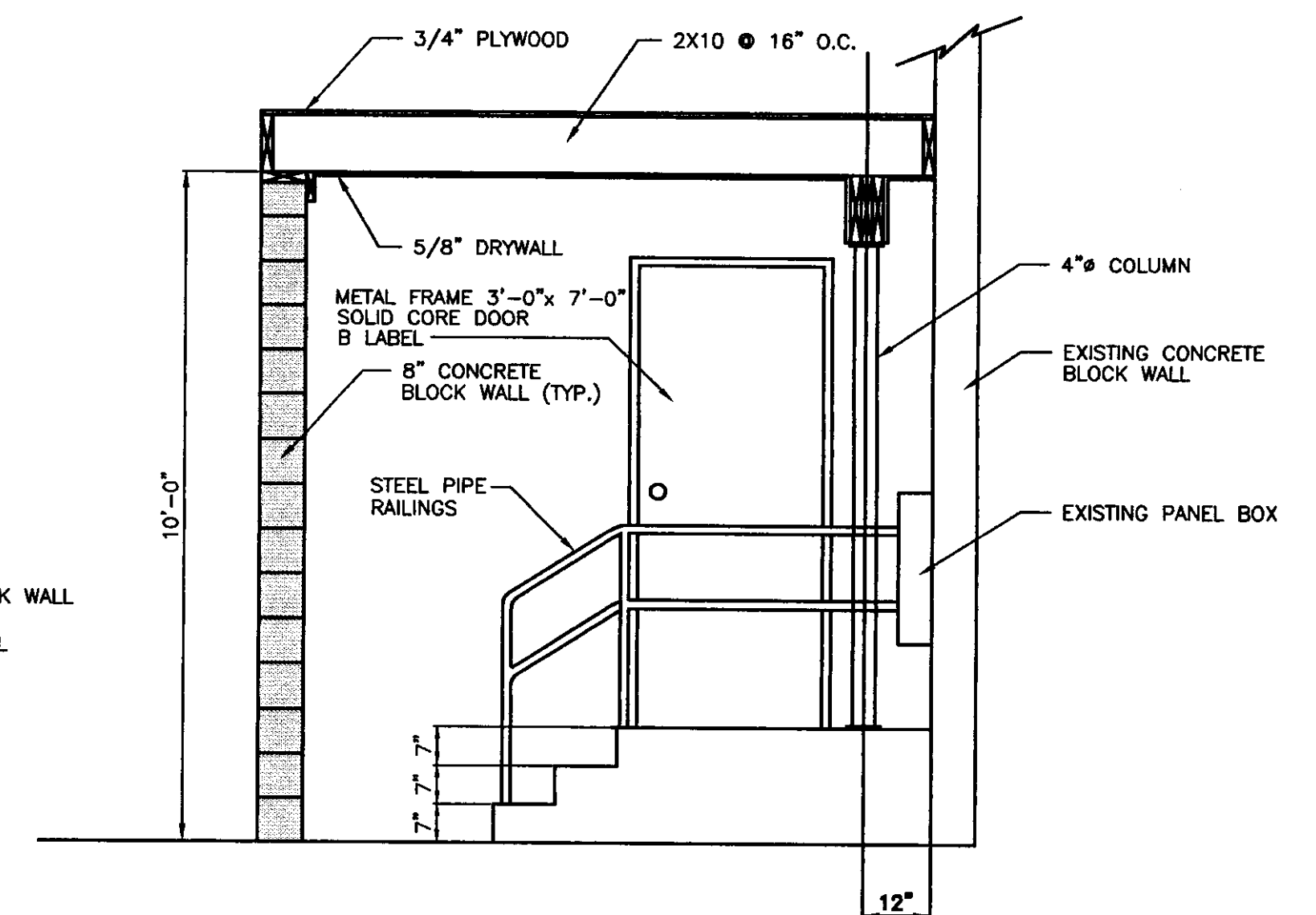
CONDUIT INSTALLATION DETAILS
NOT TO SCALE



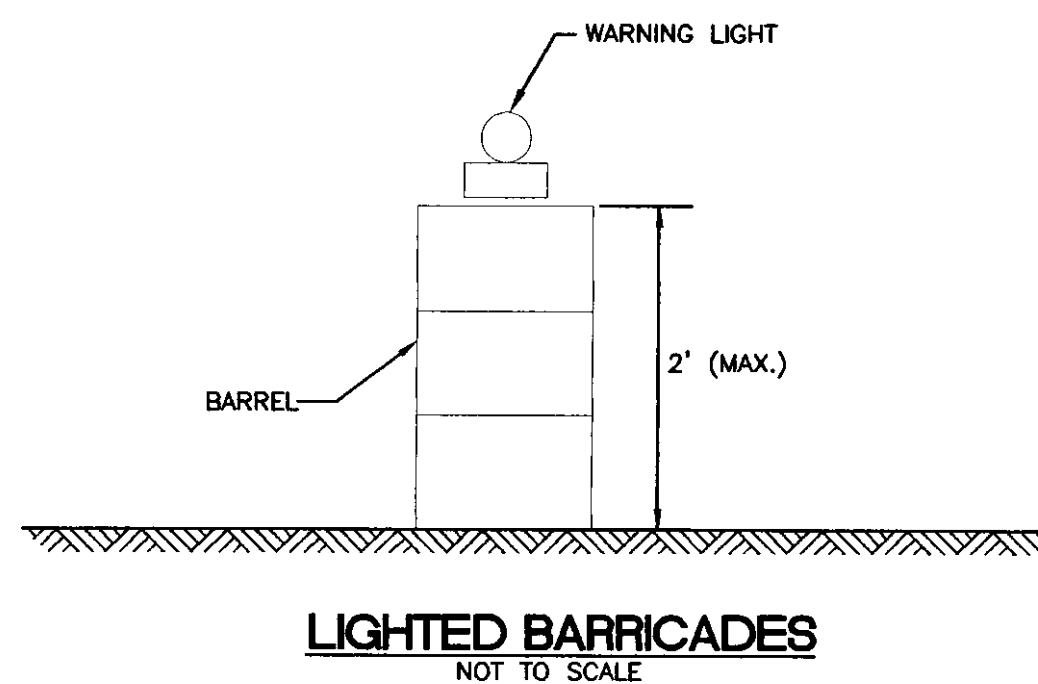
SAWCUT JOINT DETAIL
NOT TO SCALE



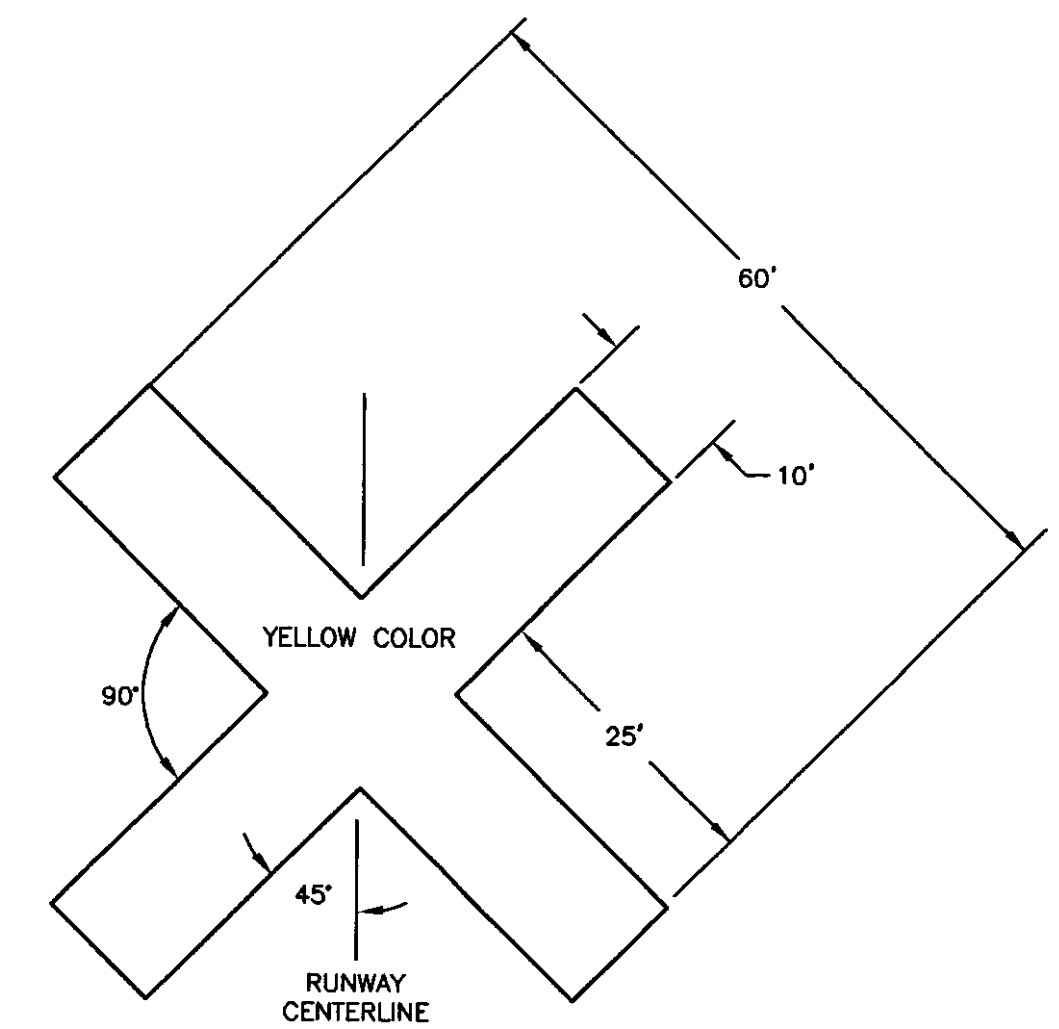
ELECTRICAL ROOM STRUCTURAL PLAN
SCALE: 1/2" = 1'-0"



SECTION 1
SCALE: 1/2" = 1'-0"



LIGHTED BARRICADES
NOT TO SCALE



CLOSED RUNWAY MARKINGS
NOT TO SCALE

- NOTES:
1. CONTRACTOR WILL BE RESPONSIBLE FOR PLACING CLOSED RUNWAY MARKINGS ON RUNWAY NUMERALS TO SIGNIFY WHEN RUNWAY IS CLOSED.
 2. CLOSED RUNWAY MARKINGS SHALL BE YELLOW COLOR PREFORMED TAPE.

I:\17151\dwg\171510007.dwg Mon Oct 15 08:05:05 2001

NO.	DATE	REVISIONS	BY	CK'D

DuBois & King INC.
engineering planning management development

STATE OF VERMONT
AGENCY OF TRANSPORTATION
CALEDONIA COUNTY STATE AIRPORT
CONSTRUCTION DETAILS

DRAWN BY MDL	DATE JULY 2001
CHECKED BY	PROJ. NO. N17151
PROJ. ENG. JAA	DRAW. NO. C171510007
SHEET 5 OF 13	