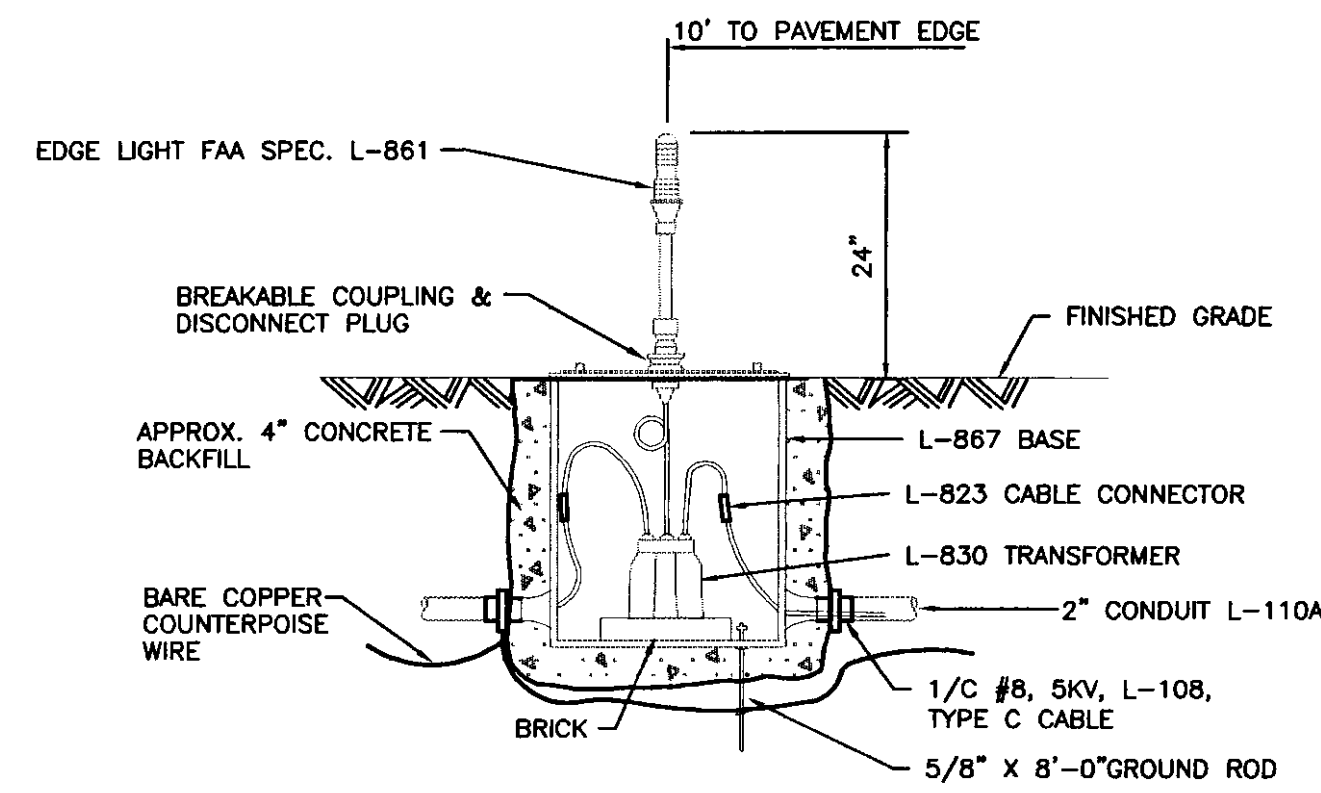


RUNWAY END IDENTIFIER LIGHTS (REILS) L-849 E
NOT TO SCALE

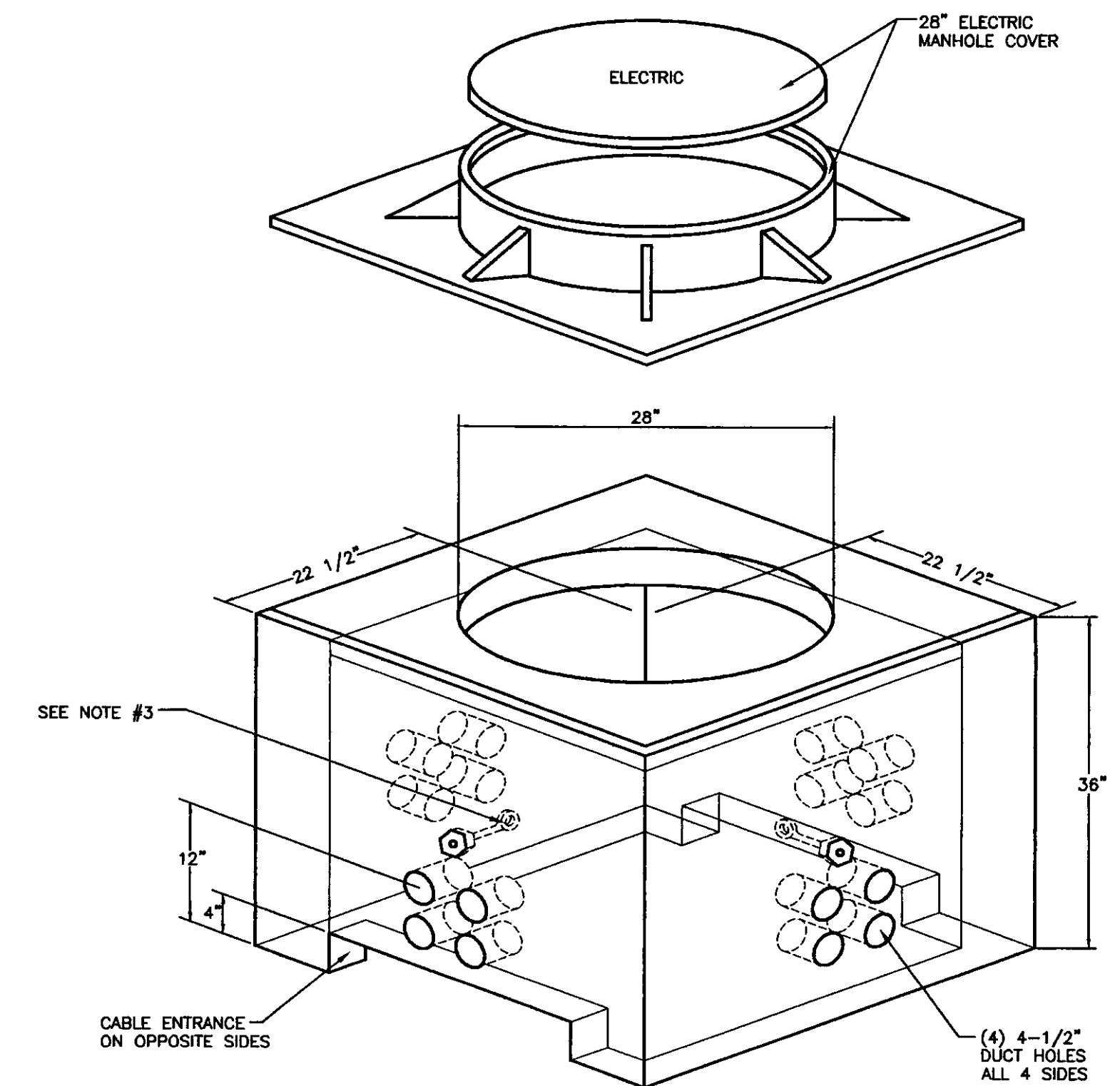
NOTES:

1. TERMINATE GROUND WIRE INSIDE EQUIPMENT HOUSING. REFER TO MANUFACTURER'S RECOMMENDATIONS FOR MOUNTING REIL UNITS



BASE MOUNTED SERIES CIRCUIT

NOT TO SCALE

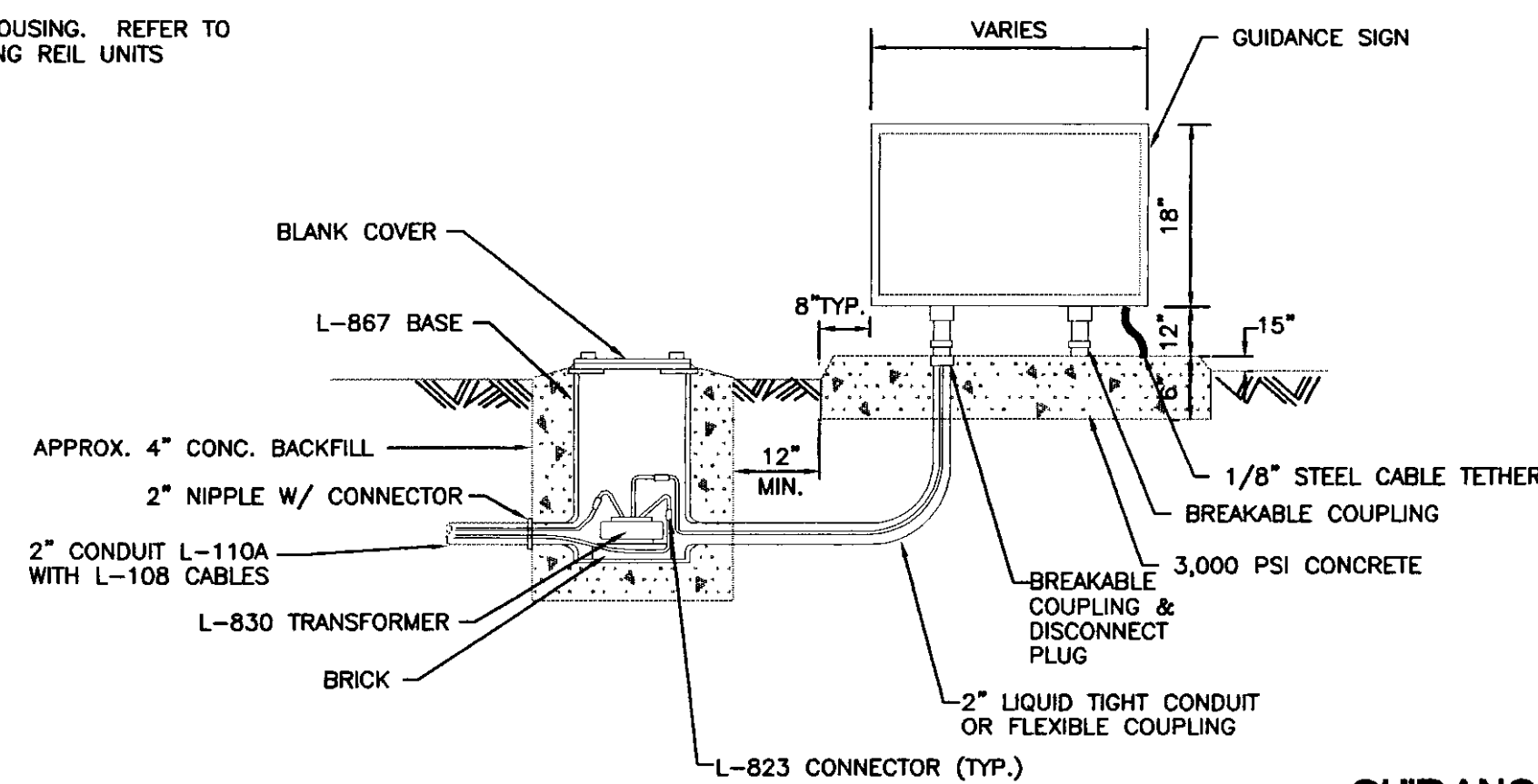


NOTES:

1. CONCRETE TO BE 5000# HIGH EARLY STRENGTH
2. CONCRETE TO BE COMPACTED WITH VIBRATOR
3. GALV. PULLING EYES SUPPLIED ON SPECIAL ORDER
4. OPT. DUCT OPENINGS

HANDHOLE DETAIL

NOT TO SCALE

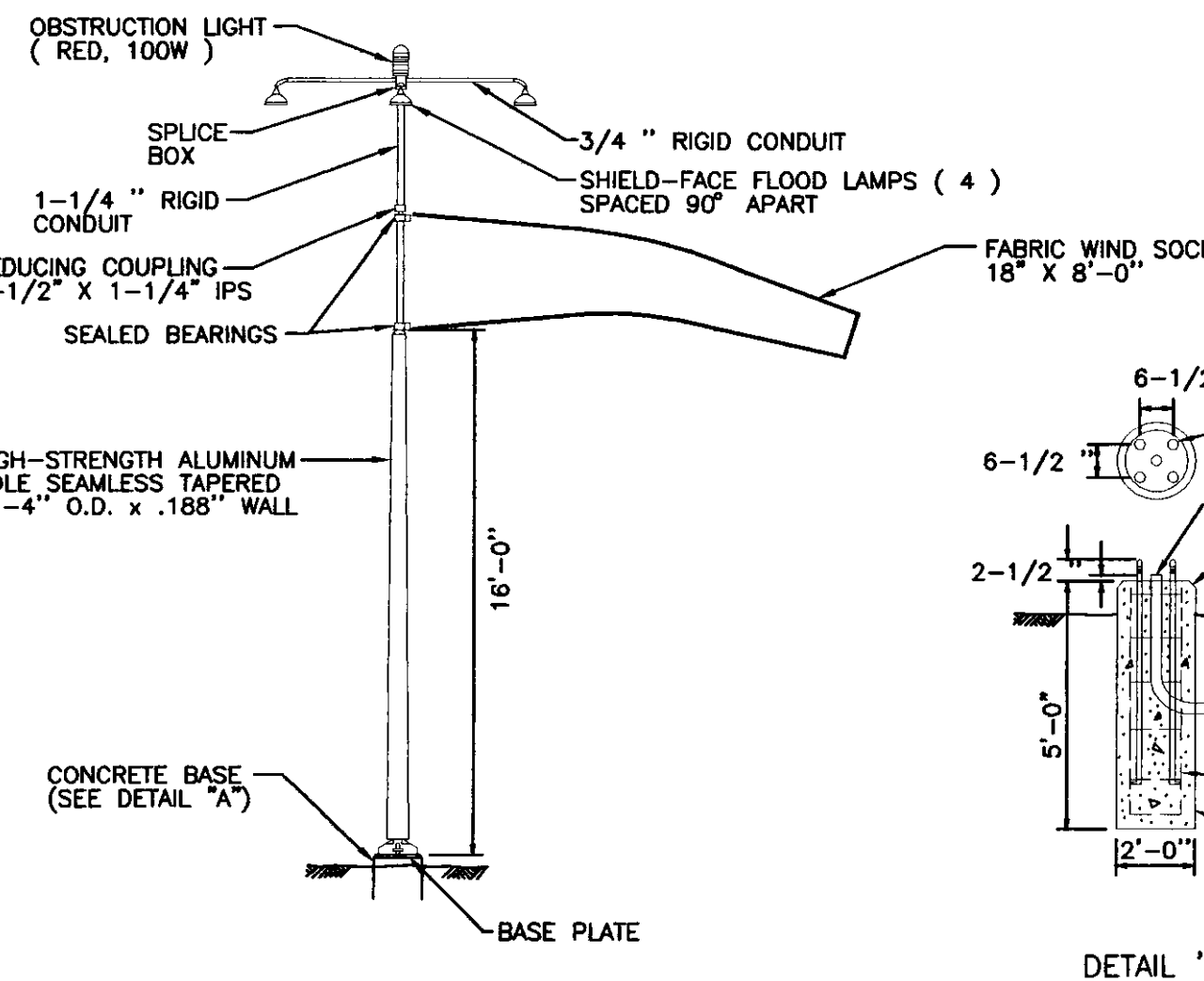
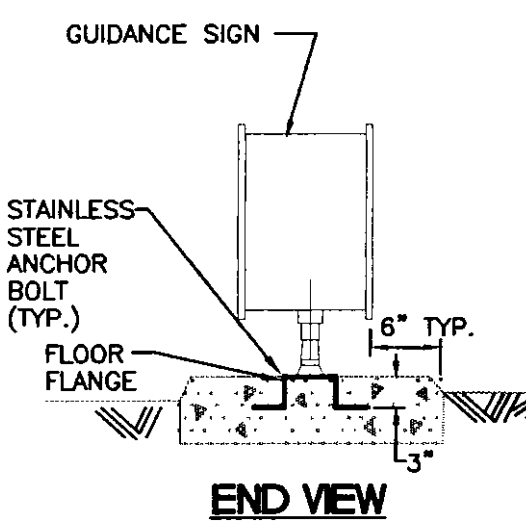


ELEVATION

GUIDANCE SIGN DETAIL

NOT TO SCALE

- NOTE:**
GROUND ROD AND COUNTERPOISE NOT SHOWN, REFER TO BASE MOUNTED DETAIL ABOVE FOR REQUIREMENTS

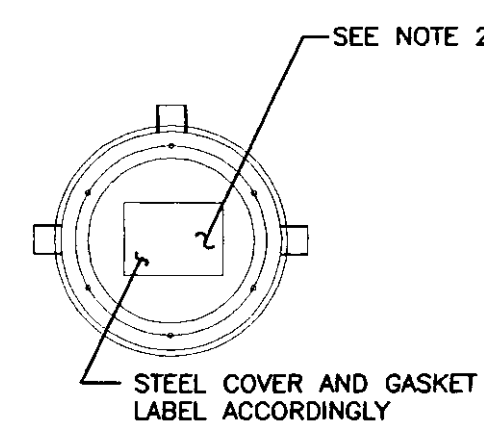
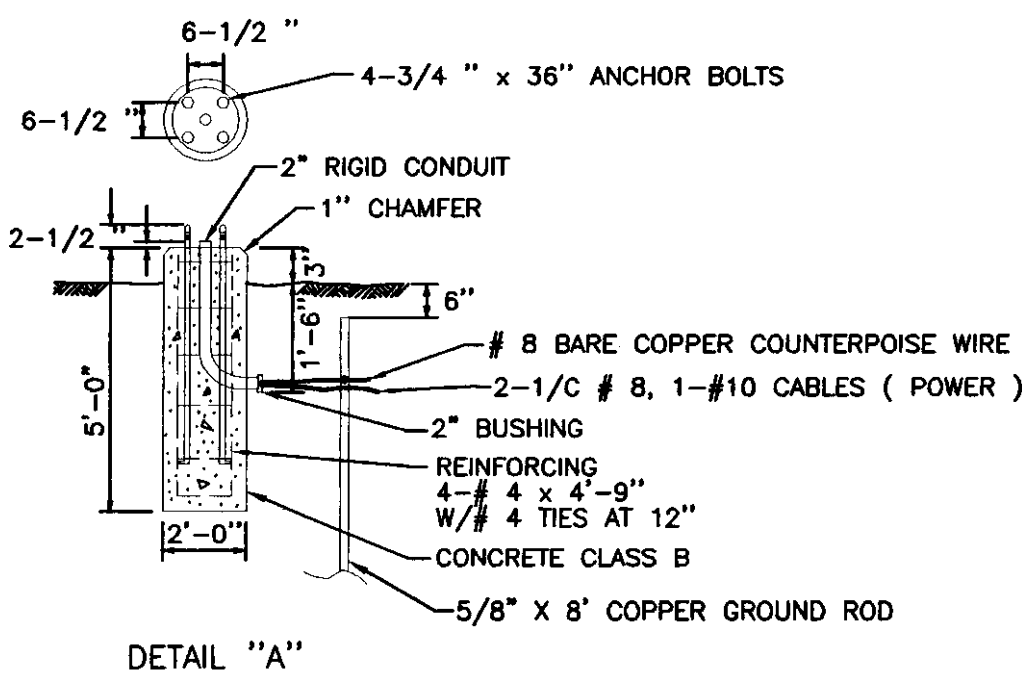


EIGHT FOOT ILLUMINATED WIND CONE L-806

NOT TO SCALE

NOTE:

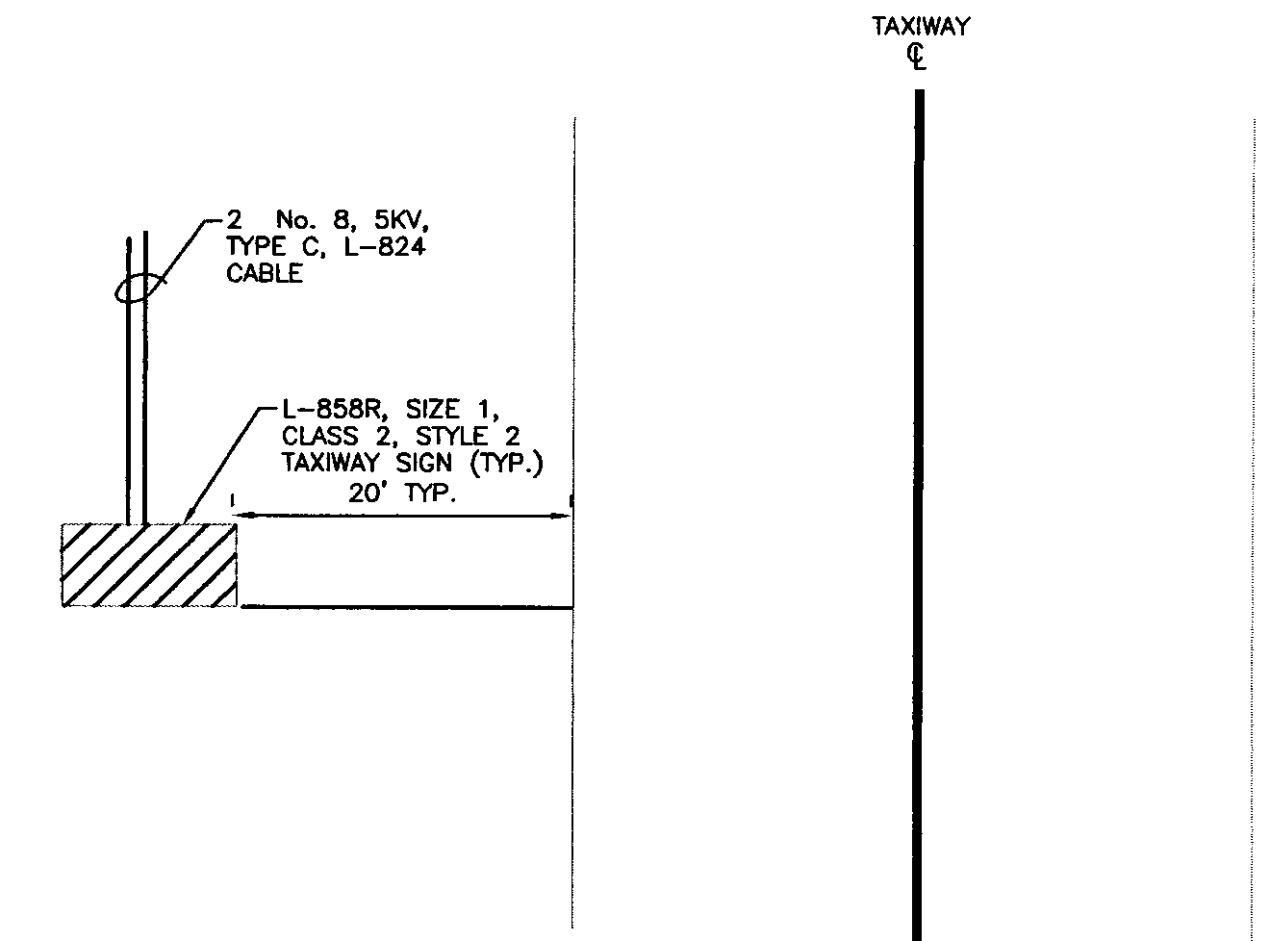
1. TERMINATE COUNTERPOISE WIRES INSIDE EQUIPMENT HOUSING.



NOTES:

1. CONTRACTOR SHALL VERIFY THAT GROUND LUGS HAVE BEEN INSTALLED ON BOTH INTERIOR AND EXTERIOR OF JUNCTION BOX. IF CLAMPS DO NOT EXIST, CONTRACTOR SHALL BE RESPONSIBLE FOR INSTALLATION.
2. CONTRACTOR SHALL FURNISH AND INSTALL BRASS IDENTIFICATION PLATES. THESE PLATES SHALL BE 8" x 6" WITH THREE ROWS OF CHARACTERS (2 FOR WORDS, 1 FOR DIRECTION ARROW), AND 1" LETTERING.
3. CONTRACTOR SHALL DRILL 1 1/2" HOLE THROUGH THE BOTTOM OF JUNCTION BOX, AND SPRAY COLD GALV. ON CAN PRIOR TO INSTALLATION.

L-869 JUNCTION BOX
NOT TO SCALE



GUIDANCE SIGN LAYOUT DETAIL

NOT TO SCALE

I:\17151\dwg\C171510006.dwg Mon Oct 15 08:02:22 2001

NO.	DATE	REVISIONS	BY	CK'D

DuBois & King
INC.

engineering planning management development

STATE OF VERMONT
AGENCY OF TRANSPORTATION
CALEDONIA COUNTY STATE AIRPORT

LIGHTING DETAILS

DRAWN BY MDL	DATE JULY 2001
CHECKED BY JAA	PROJ. NO. N17151
PROJ. ENG. JAA	DRAW. NO. C171510006
SHEET	4 OF 13